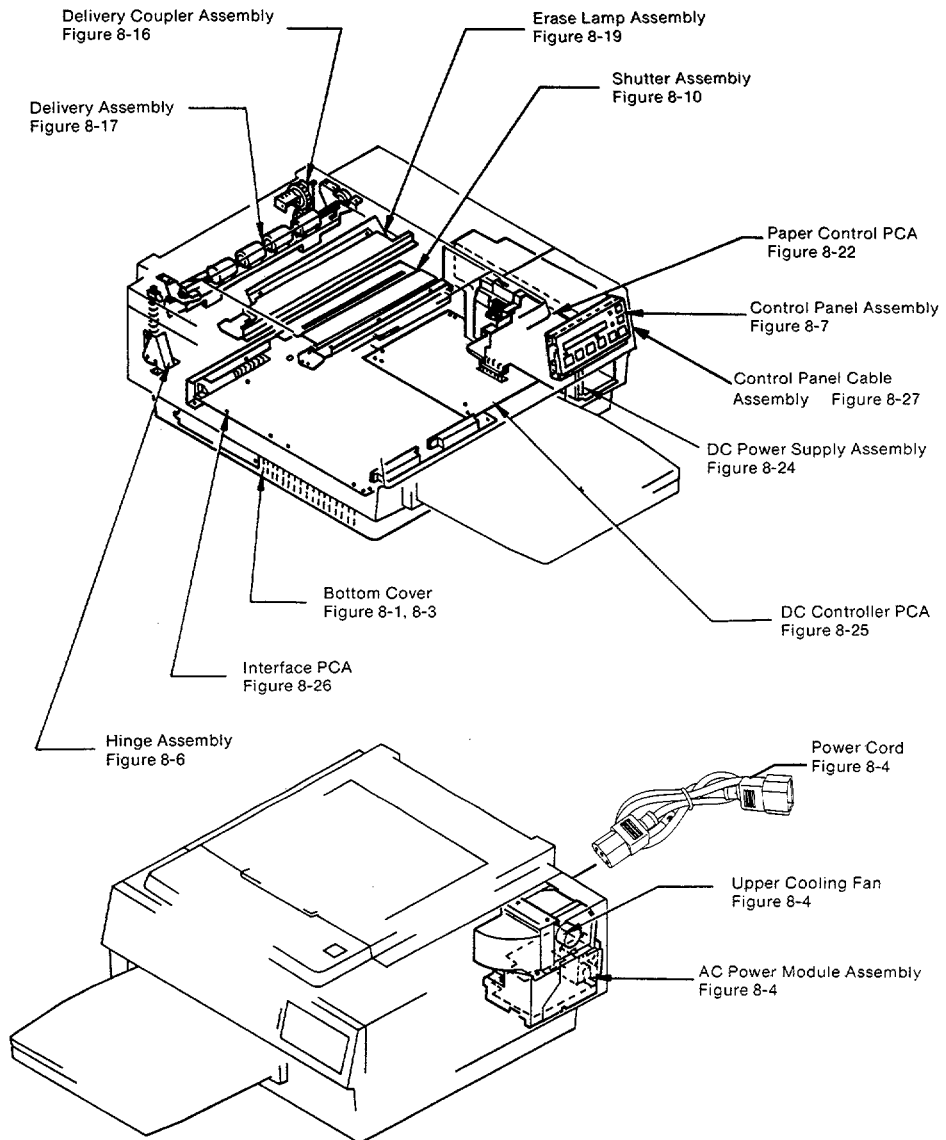
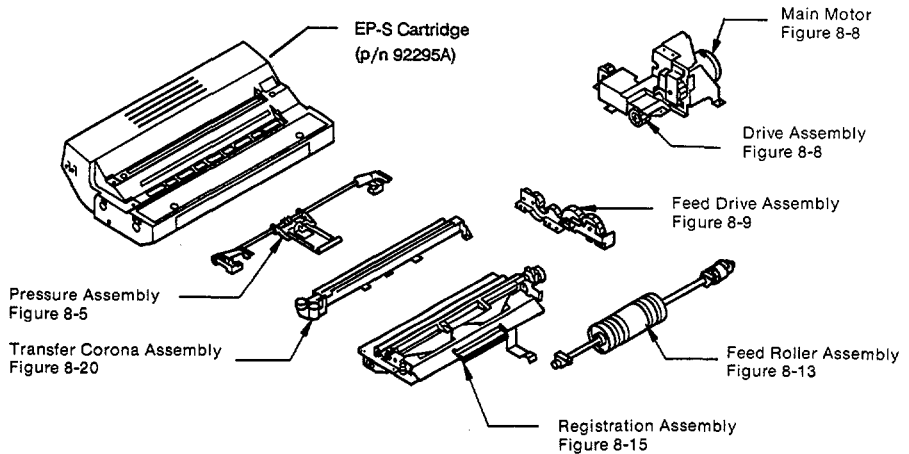
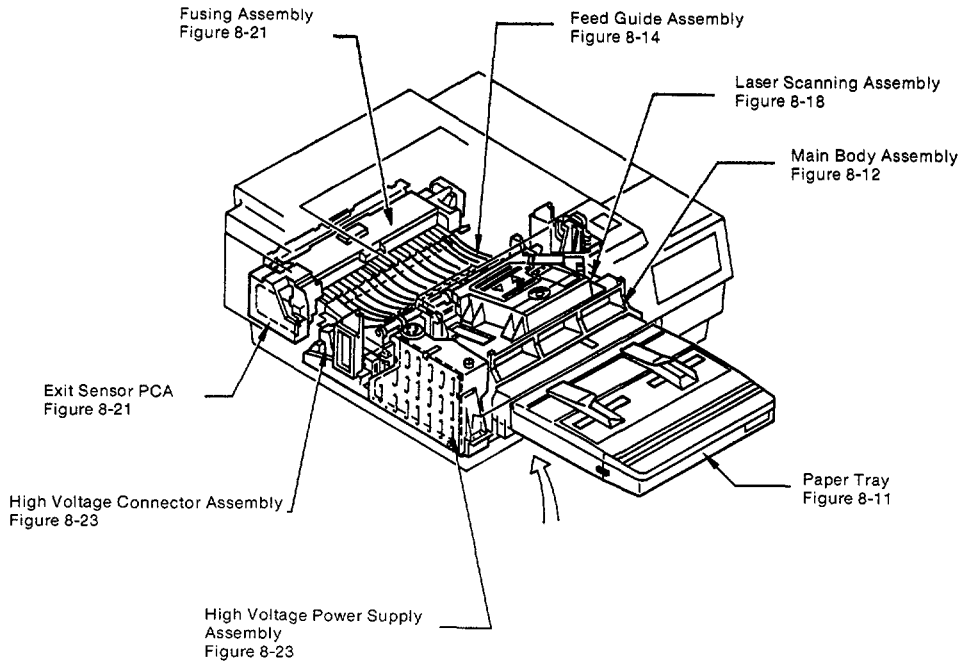


8-2. PARTS LIST



Main Assemblies (1 of 2)



Main Assemblies (2 of 2)

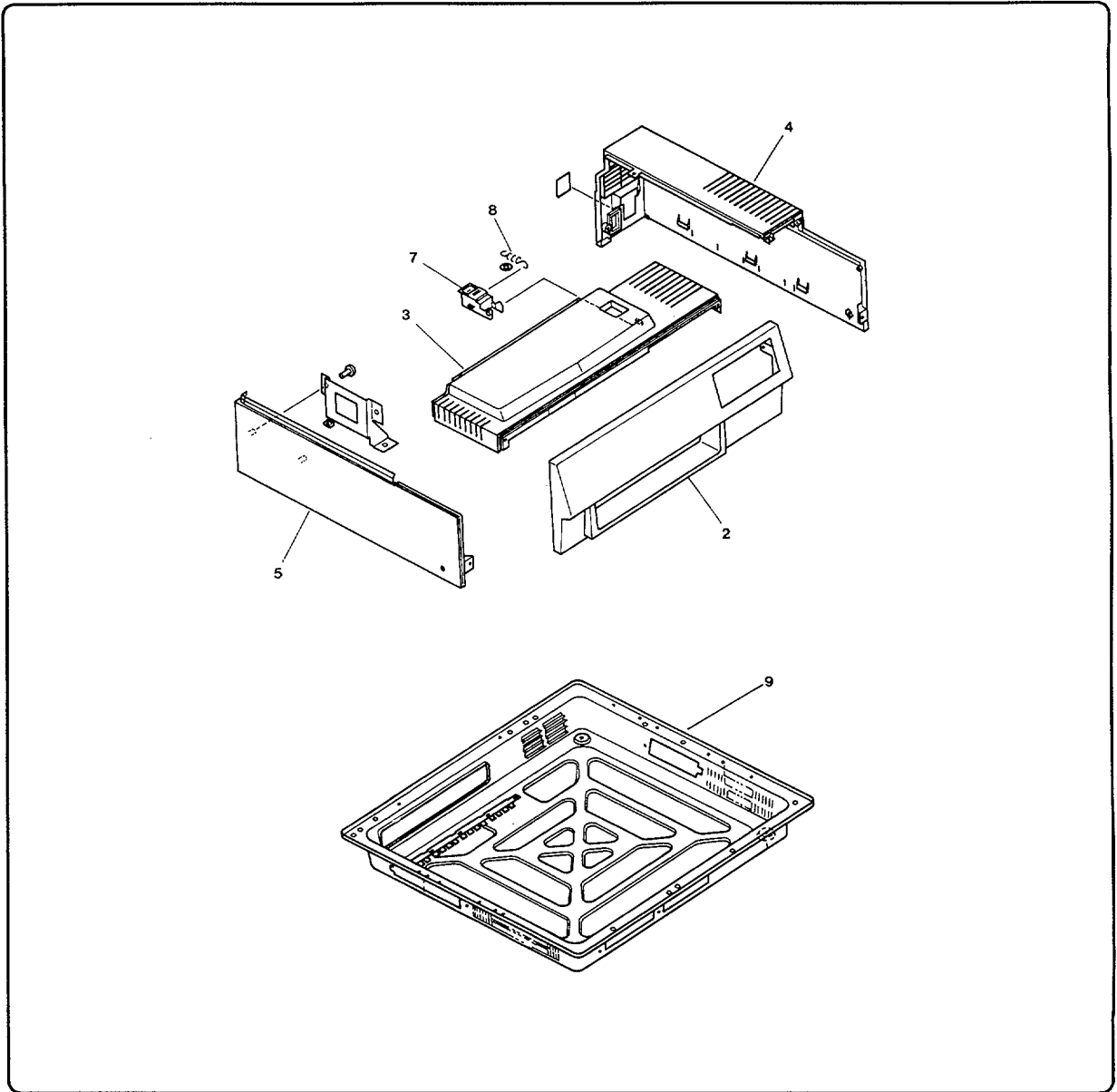


Figure 8-1A. External Covers - HP 33440

Table 8-1A. EXTERNAL COVERS - HP 33440

REF	PART NUMBER	QTY	NOTES	DESCRIPTION
2	RA1-4231-000CN	1		PANEL, FRONT LOWER
3	RA1-4232-000CN	1		PANEL, FRONT UPPER
4	<del>RA1-4233-020CN</del>	1	S	PANEL, RIGHT <i>RF1-2037-000 CN</i>
5	RA1-4234-000CN	1		PANEL, LEFT
7	RA1-4235-000CN	1		RELEASE BUTTON
8	RS1-2149-000CN	1		SPRING, TENSION
9	RF1-0975-000CN	1		COVER, BOTTOM

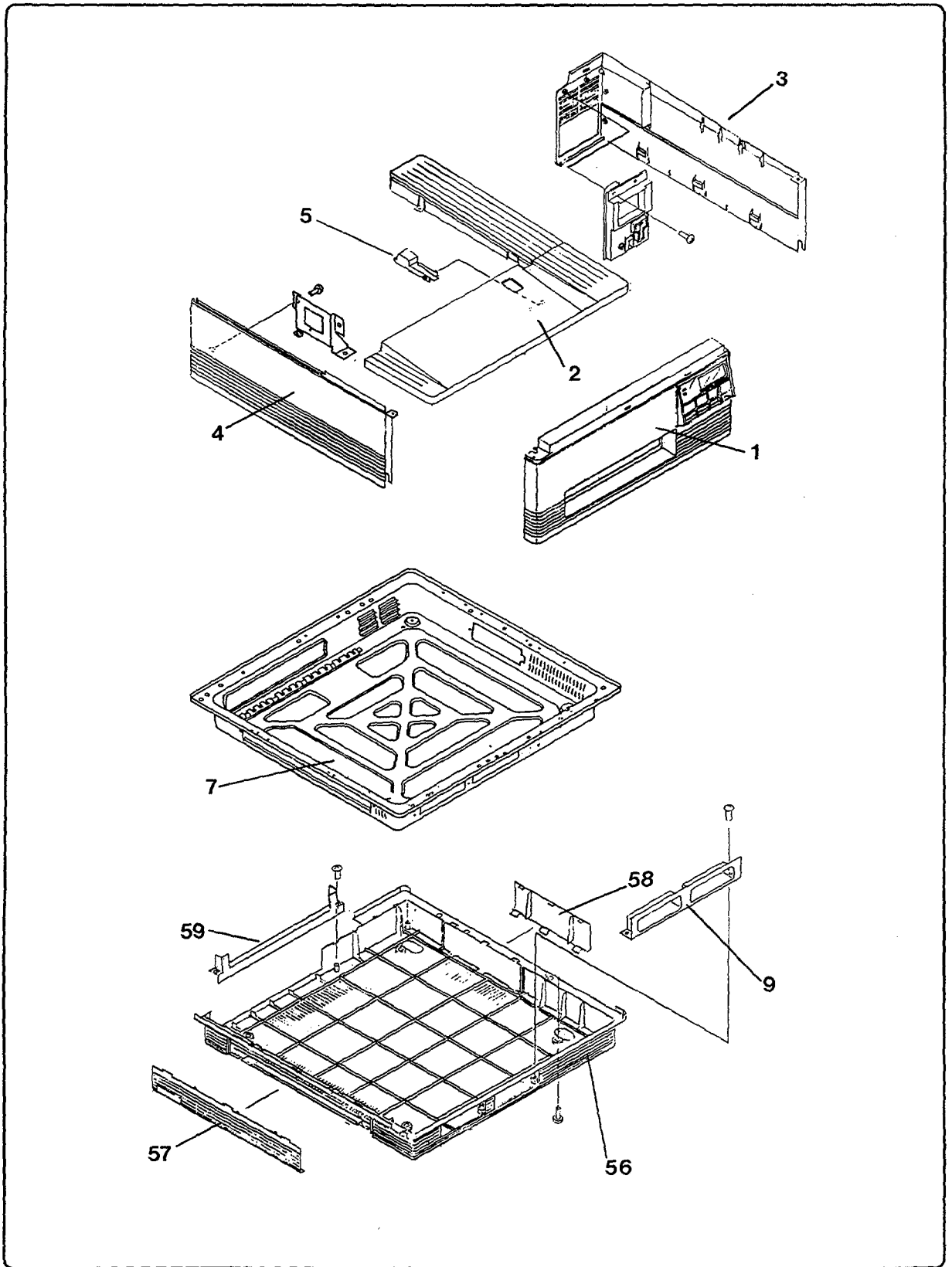


Figure 8-1B. External Covers - HP 33449

Table 8-1B. EXTERNAL COVERS - HP 33449

REF	PART NUMBER	QTY	NOTES	DESCRIPTION
1	RF1-2572-000CN	1		PANEL, FRONT
2	RF1-2574-000CN	1		PANEL, TOP
3	RF1-2575-000CN	1		PANEL, RIGHT
4	RF1-2576-000CN	1		PANEL, LEFT
5	RA1-8278-000CN	1		RELEASE BUTTON
7	RF1-2577-000CN	1		COVER, BOTTOM
9	RA1-8290-000CN	1		GUIDE, FONT CARTRIDGE
56	RA1-8273-000CN	1		PANEL, BOTTOM COVER
57	RA1-8284-000CN	1		PANEL, MEMORY COVER
58	RA1-8285-000CN	1		PANEL, TEST COVER
59	RA1-8293-000CN	1		GUARD, I/O CONNECTOR

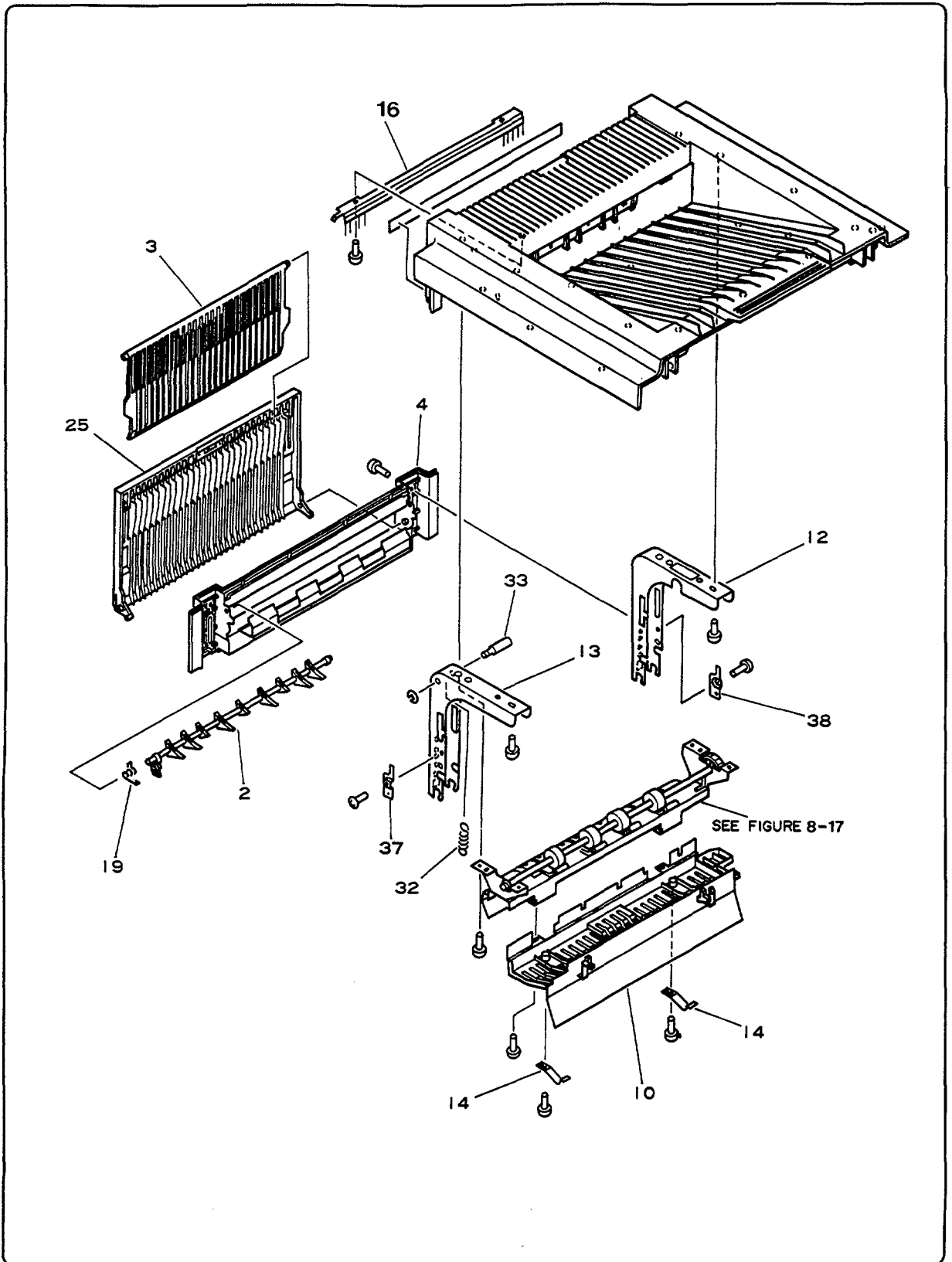


Figure 8-2A. Upper Main Body - HP 33440 (1 of 2)

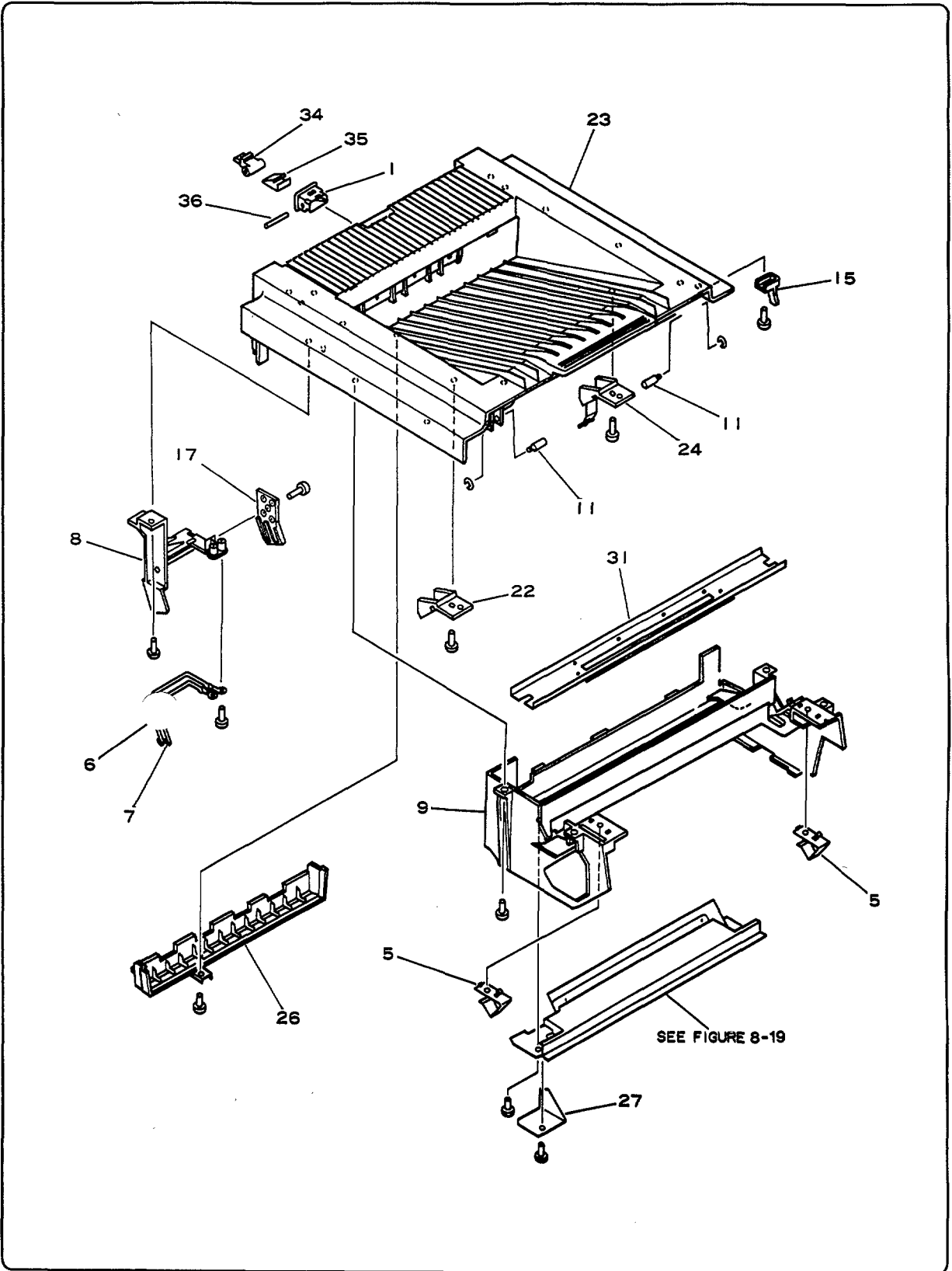


Figure 8-2A. Upper Main Body - HP 33440 (2 of 2)

Table 8-2A. UPPER MAIN BODY - HP 33440

REF	PART NUMBER	QTY	NOTES	DESCRIPTION
1	RA1-4019-000CN	1		HOLDER, MAGNET
2	RA1-4021-000CN	1		DEFLECTOR PAWL ASSEMBLY
3	RA1-4290-000CN	1		TRAY, UPPER REAR OUTPUT
4	RA1-4292-000CN	1		PANEL, REAR DELIVERY
5	RA1-4025-000CN	2	S	SPRING, LEAF
6	RA1-4034-000CN	1		SPRING A, GROUNDING
7	RA1-4035-000CN	1		SPRING B, GROUNDING
8	RA1-4036-000CN	1		ARM, CONNECTOR
9	RF1-0947-000CN	1		GUIDE, EP-S CARTRIDGE
10	RA1-4038-000CN	1		COVER, FUSER INSULATING
11	RA1-4042-000CN	2	S	SHAFT, LOCK
12	RA1-4030-000CN	1		PLATE, RIGHT HINGE BRACKET
13	RA1-4033-000CN	1		PLATE, LEFT HINGE BRACKET
14	RA1-4045-020CN	2	S	SPRING, LEAF
15	RA1-4046-000CN	1		LEVER, INTERLOCK
16	RA1-4047-000CN	1		ELIMINATOR, STATIC CHARGE
17	RA1-4048-000CN	1		COVER, CONNECTOR ARM
19	RS1-2101-000CN	1		SPRING, TORSION
22	RF1-0926-000CN	1	S	SPRING, RIGHT, MIRROR
23	RF1-0977-000CN	1		PANEL, TOP COVER ASSEMBLY
24	RF1-0929-000CN	1	S	SPRING, LEFT, MIRROR
25	RF1-0985-000CN	1		TRAY, LOWER REAR OUTPUT
26	RA1-4294-000CN	1		COVER, LOWER DELIVERY
27	RA1-4079-000CN	1	S	COVER, LAMP ASSEMBLY
31	RG0-0052-000CN	1		MIRROR ASSEMBLY
32	RS1-2152-000CN	1		SPRING, TENSION
33	RA1-5258-000CN	1	S	SHAFT, SPRING
34	RA1-5361-000CN	1		LATCH
35	RA1-5362-000CN	1		SPRING, LEAF
36	RA1-5363-000CN	1		SHAFT, LATCH
37	RA1-5256-000CN	1	S	PLATE, LEFT LOCK
38	RA1-5257-000CN	1	S	PLATE, RIGHT LOCK



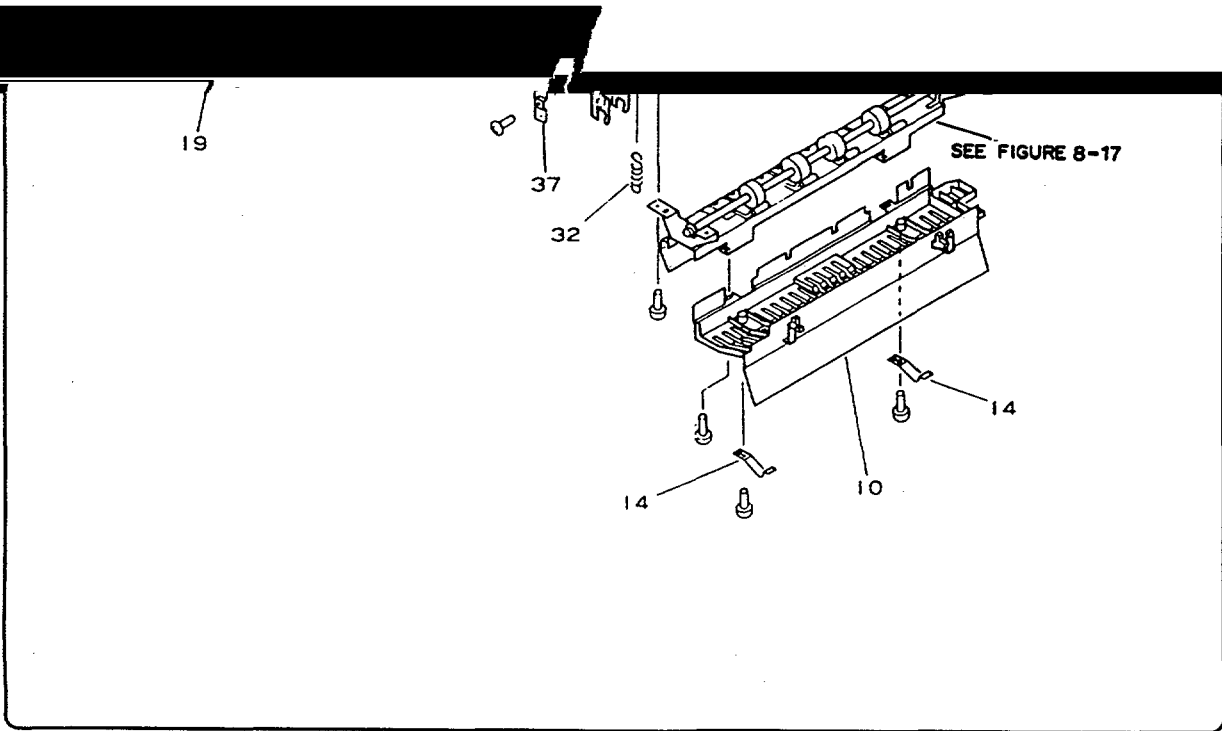


Figure 8-2B. Upper Main Body - HP 33449 (1 of 2)

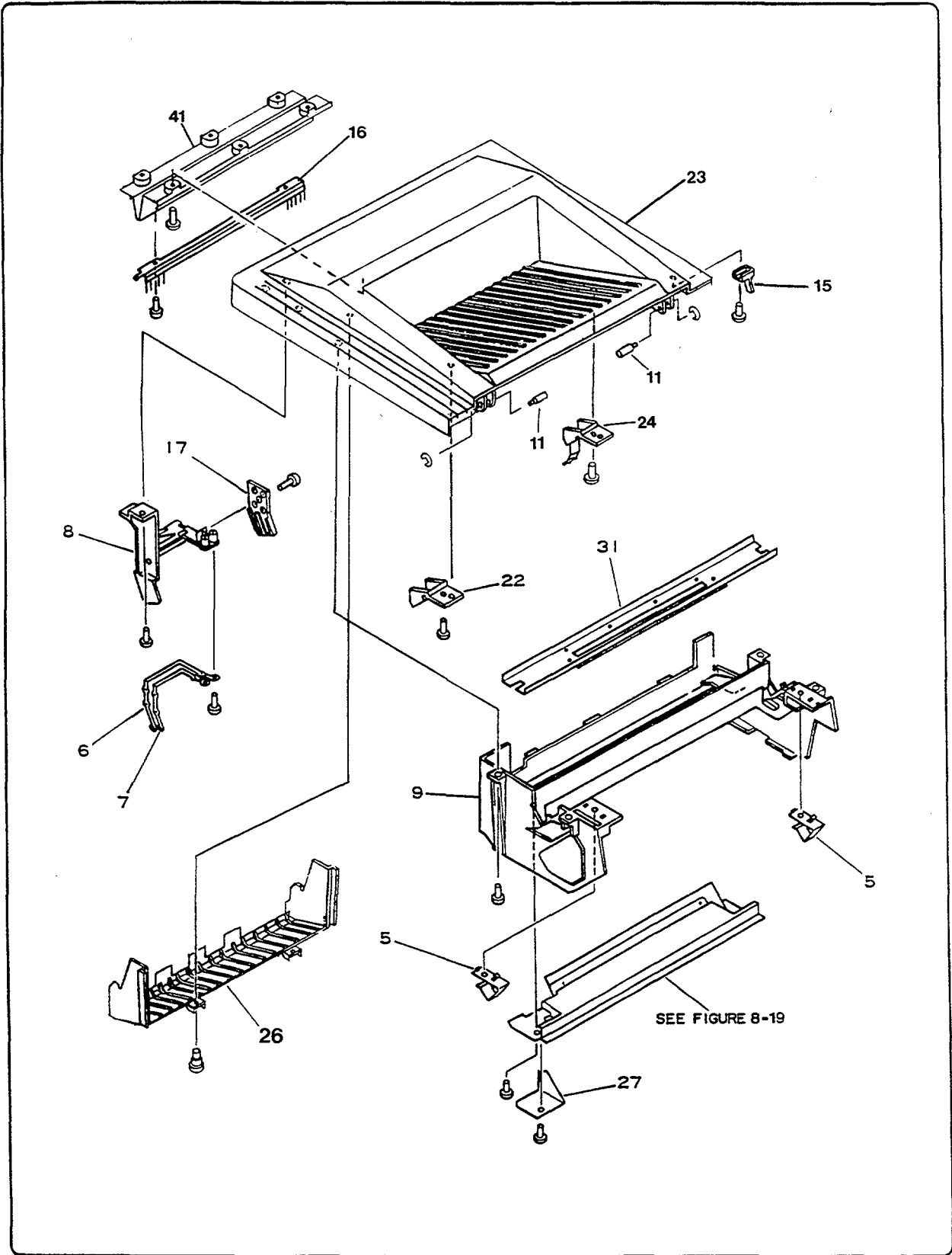


Figure 8-2B. Upper Main Body - HP 33449 (2 of 2)

Table 8-2B. UPPER MAIN BODY - HP 33449

REF	PART NUMBER	QTY	NOTES	DESCRIPTION
2	RA1-4021-000CN	1		DEFLECTOR PAWL ASSEMBLY
3	RA1-4290-000CN	1		TRAY, UPPER REAR OUTPUT
4	RA1-8275-000CN	1		PANEL, REAR DELIVERY
5	RA1-4025-000CN	2	S	SPRING, LEAF
6	RA1-4034-000CN	1		SPRING A, GROUNDING
7	RA1-4035-000CN	1		SPRING B, GROUNDING
8	RA1-4036-000CN	1		ARM, CONNECTOR
9	RF1-0947-000CN	1		GUIDE, EP-S CARTRIDGE
10	RA1-4038-000CN	1		COVER, FUSER INSULATING
11	RA1-4042-000CN	2	S	SHAFT, LOCK
12	RA1-4030-000CN	1		PLATE, RIGHT HINGE BRACKET
13	RA1-4033-000CN	1		PLATE, LEFT HINGE BRACKET
14	RA1-4045-020CN	2	S	SPRING, LEAF
15	RA1-4046-000CN	1		LEVER, INTERLOCK
16	RA1-4047-000CN	1		ELIMINATOR, STATIC CHARGE
17	RA1-4048-000CN	1		COVER, CONNECTOR ARM
19	RS1-2101-000CN	1		SPRING, TORSION
22	RF1-0926-000CN	1	S	SPRING, RIGHT, MIRROR
23	RF1-2579-000CN	1		PANEL, TOP COVER ASSEMBLY
24	RF1-0929-000CN	1	S	SPRING, LEFT, MIRROR
25	RF1-2580-000CN	1		TRAY, LOWER REAR OUTPUT
26	RA1-8287-000CN	1		COVER, LOWER DELIVERY
27	RA1-4079-000CN	1	S	COVER, LAMP ASSEMBLY
31	RG0-0052-000CN	1		MIRROR ASSEMBLY
32	RS1-2152-000CN	1		SPRING, TENSION
33	RA1-5258-000CN	1	S	SHAFT, SPRING
37	RA1-5256-000CN	1	S	PLATE, LEFT LOCK
38	RA1-5257-000CN	1	S	PLATE, RIGHT LOCK
41	RA1-8276-000CN	1		COVER, UPPER DELIVERY

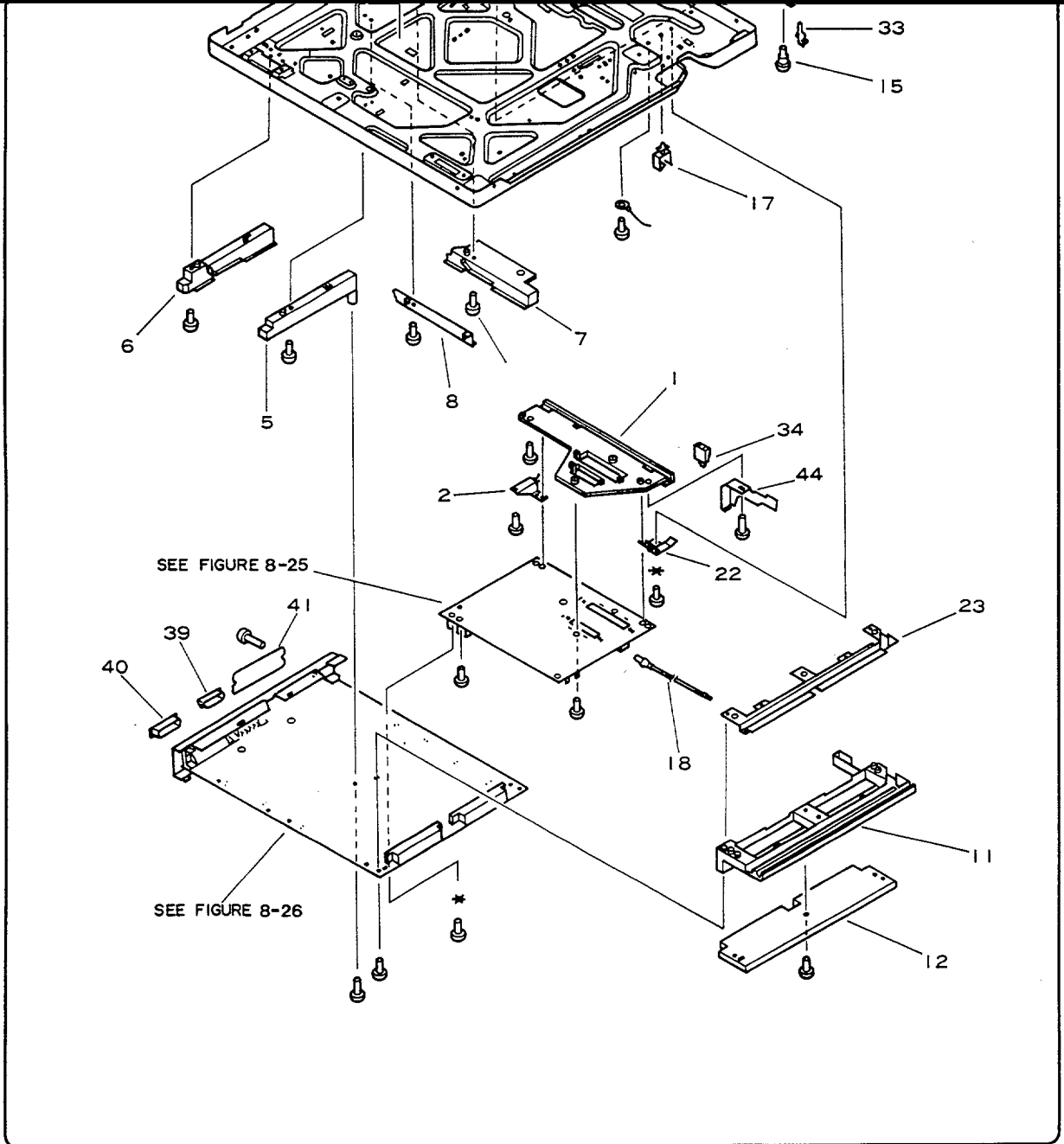


Figure 8-3A. Lower Main Body - HP 33440 (1 of 2)

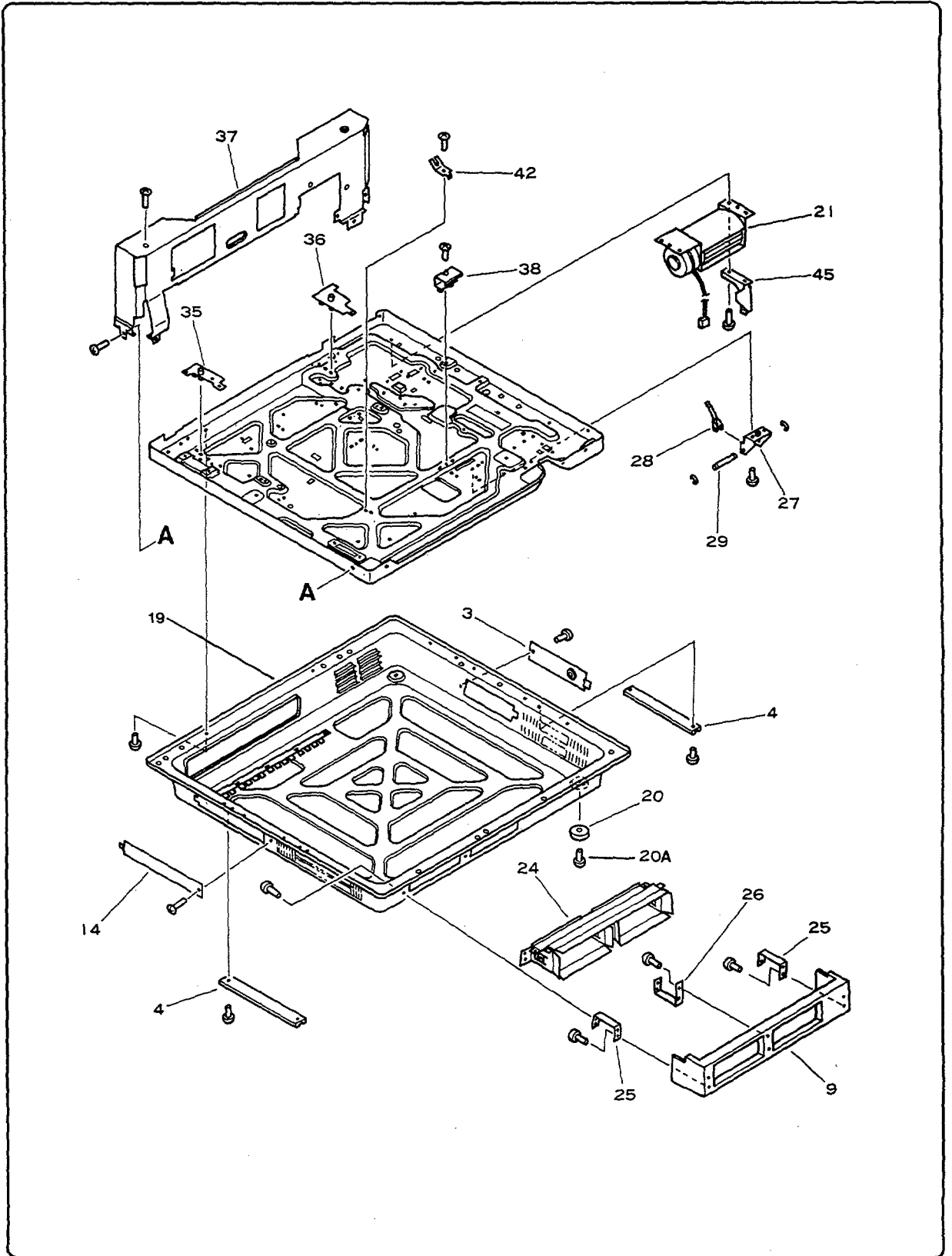


Figure 8-3A. Lower Main Body - HP 33440 (2 of 2)

Table 8-3A. LOWER MAIN BODY - HP 33440

REF	PART NUMBER	QTY	NOTES	DESCRIPTION
1	RA1-4114-000CN	1	S	PLATE, DC CONTROLLER MOUNTING
2	RA1-4115-050CN	1	S	TERMINAL
3	RA1-4282-000CN	1	S	PLATE, SERVICE COVER
4	RA1-4283-000CN	2		KNOB
5	RA1-4132-000CN	1	S	GUIDE, FRONT, D-RAM PCA
6	RA1-4133-000CN	1	S	GUIDE, REAR, D-RAM PCA
7	RA1-4134-000CN	1	S	GUIDE, RIGHT, EXPANSION PCA
8	RA1-4135-000CN	1	S	GUIDE, LEFT, EXPANSION PCA
9	RA1-4285-000CN	1		PANEL, FONT CARTRIDGE
11	RA1-4138-000CN	1		GUIDE, UPPER, CARTRIDGE
12	RA1-4139-000CN	1		GUIDE, LOWER, CARTRIDGE
14	RA1-4296-000CN	1		PLATE, D-RAM
15	XA9-0342-000CN	10		SCREW, STEPPED M3
17	WT2-0250-000CN	3	S	CLIP, CABLE
18	RH2-5053-000CN	1		FIBER OPTIC CABLE
19	RF1-0975-000CN	1		COVER, BOTTOM
20	RA1-4113-000CN	4		FOOT
20A	0515-0055	4		SCREW
21	RH7-1056-000CN	1		FAN, LOWER COOLING
22	RA1-4146-050CN	1	S	PLATE, TERMINAL
23	RA1-4147-000CN	1	S	SHIELD, DC PWR SUPPLY CABLE
24	RA1-4148-000CN	1		SHIELD, FONT CARTRIDGE
25	RA1-4149-000CN	2		SUPPORT, PANEL A
26	RA1-4150-000CN	1		SUPPORT, PANEL B
27	RA1-4161-000CN	1	S	MOUNT, TRAY SIZE SENSING
28	RA1-4162-000CN	3		LEVER, TRAY SIZE SENSING
29	RA1-4637-000CN	1		SHAFT, TRAY SIZE LEVER
30	VS3-0190-003CN	1	S	CONNECTOR, 3P FEMALE
31	WS3-0976-000CN	2	S	CONTACT
32	VS3-0190-004CN	1	S	CONNECTOR, 4P FEMALE
33	WS3-1204-000CN	4	S	CONTACT
34	RH2-5051-000CN	1		CONNECTOR
35	RA1-4167-000CN	1		INSULATOR, LEFT, FUSING ASS'Y
36	RA1-4168-000CN	1		INSULATOR, RIGHT, FUSING ASS'Y
37	RA1-4170-000CN	1		PLATE, FRONT SUPPORT
38	RA1-4638-000CN	1	S	COVER, LEVER
39	VS9-0013-025CN	1	S	CAP, SERIAL I/O DUST
40	WS9-0104-000CN	1	S	CAP, CENTRONICS I/O DUST
41	SA4-6202-000CN	1	S	PLATE, OPTIONAL I/O DUST
42	RA1-4317-000CN	1	S	SPRING, LEAF
43	RA1-5423-000CN	1	S	INSULATION SHEET
44	RA1-5489-000CN	1	S	PLATE
45	RA1-5490-000CN	1	S	STAND, FAN MOUNT

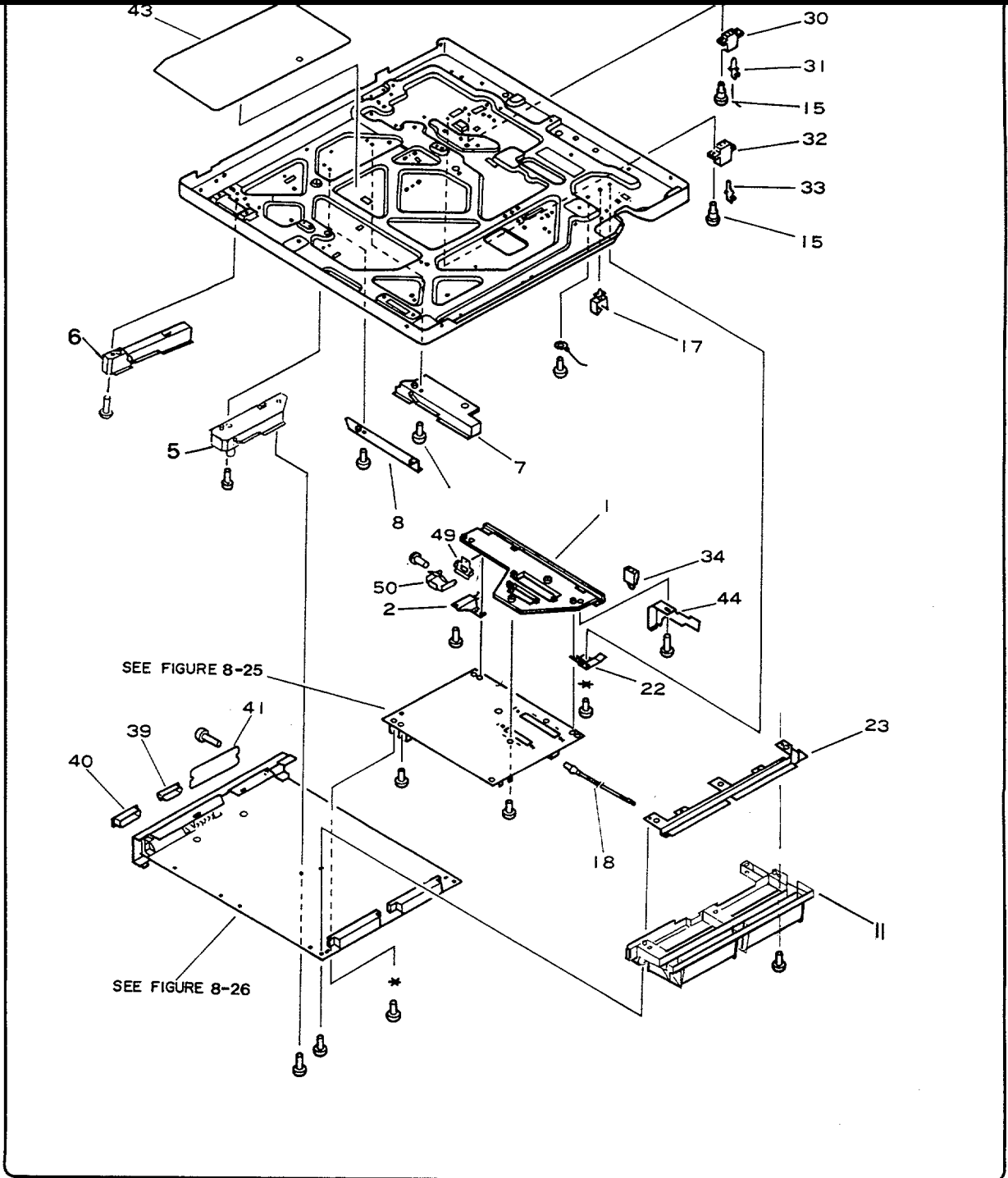


Figure 8-3B. Lower Main Body - HP 33449 (1 of 2)

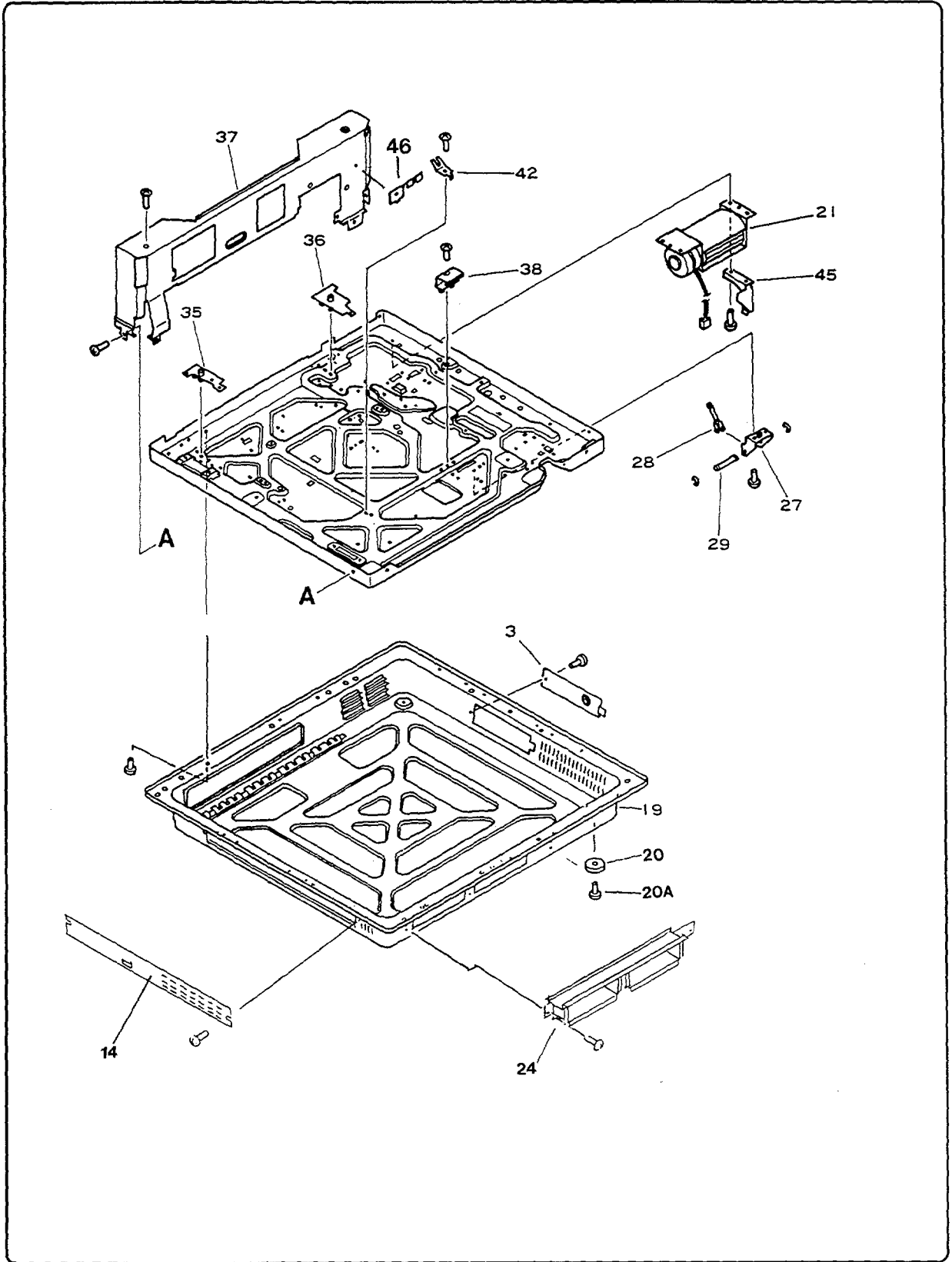


Figure 8-3B. Lower Main Body - HP 33449 (2 of 2)



Table 8-3B. LOWER MAIN BODY - HP 33449

REF	PART NUMBER	QTY	NOTES	DESCRIPTION
1	RA1-4114-000CN	1	S	PLATE, DC CONTROLLER MOUNTING
2	RA1-4115-050CN	1	S	TERMINAL
3	RA1-6047-000CN	1	S	PLATE, SERVICE COVER
5	RA1-8292-000CN	1	S	GUIDE, DRAM REAR
6	RA1-8289-000CN	1	S	GUIDE, DRAM CENTER
7	RA1-4134-000CN	1	S	GUIDE, RIGHT, EXPANSION PCA
8	RA1-4135-000CN	1	S	GUIDE, LEFT, EXPANSION PCA
11	RA1-8302-000CN	1		GUIDE, FONT CARTRIDGE
14	RA1-8299-000CN	1		PLATE, DRAM ACCESS
15	XA9-0342-000CN	10		SCREW, STEPPED M3
17	WT2-0250-000CN	3	S	CLIP, CABLE
18	RH2-5108-000CN	1		FIBER OPTIC CABLE
19	RF1-2577-000CN	1		COVER, BOTTOM
20	RA1-4113-000CN	4		FOOT
20A	0515-0055	4		SCREW
21	RH7-1056-000CN	1		FAN, LOWER COOLING
22	RA1-4146-050CN	1	S	PLATE, TERMINAL
23	RA1-4147-000CN	1	S	SHIELD, DC PWR SUPPLY CABLE
24	RA1-8295-000CN	1		SHIELD, FONT CARTRIDGE
27	RA1-4161-000CN	1	S	MOUNT, TRAY SIZE SENSING
28	RA1-4162-000CN	3		LEVER, TRAY SIZE SENSING
29	RA1-4637-000CN	1		SHAFT, TRAY SIZE LEVER
30	VS3-0190-003CN	1	S	CONNECTOR, 3P FEMALE
31	WS3-1204-000CN	2	S	CONTACT
32	VS3-0190-004CN	1	S	CONNECTOR, 4P FEMALE
33	WS3-1204-000CN	4	S	CONTACT
34	RH2-5051-000CN	1		CONNECTOR
35	RA1-4167-000CN	1		INSULATOR, LEFT, FUSING ASS'Y
36	RA1-4168-000CN	1		INSULATOR, RIGHT, FUSING ASS'Y
37	RA1-4170-000CN	1		PLATE, FRONT SUPPORT
38	RA1-4638-000CN	1	S	COVER, LEVER
39	VS9-0013-025CN	1	S	CAP, SERIAL I/O DUST
40	WS9-0104-000CN	1	S	CAP, CENTRONICS I/O DUST
41	SA4-6202-000CN	1	S	PLATE, OPTIONAL I/O DUST
42	RA1-4317-000CN	1	S	SPRING, LEAF
43	RA1-5423-000CN	1	S	INSULATION SHEET
44	RA1-5489-000CN	1	S	PLATE
45	RA1-5490-000CN	1	S	STAND, FAN MOUNT
46	RA1-8011-000CN	1	S	PLATE, GROUNDING
49	RA1-5403-000CN	1	S	MOUNT, SWITCH LEVER
50	RA1-5404-000CN	1	S	PLATE, LEVER

000 CN

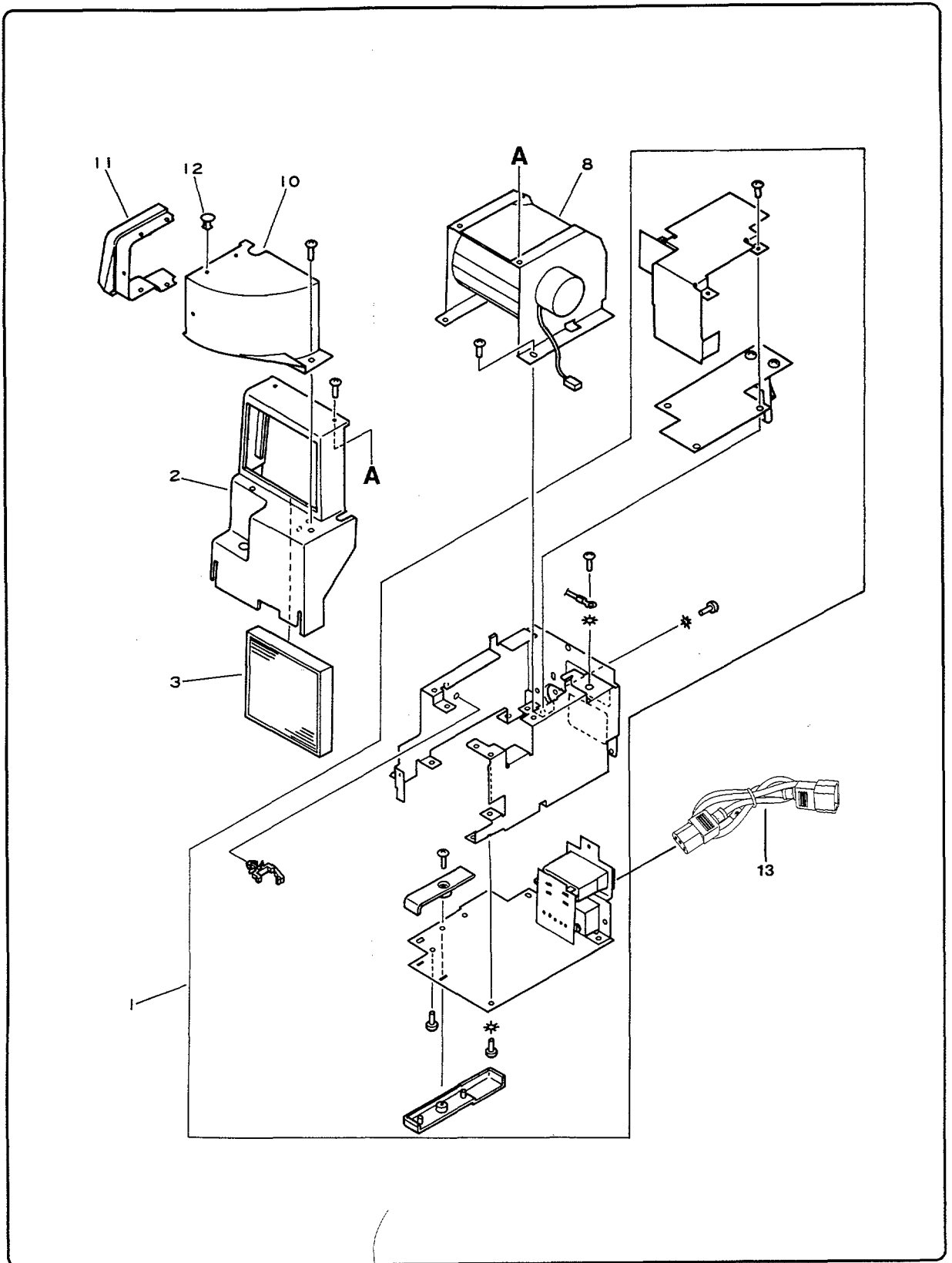


Figure 8-4A. AC Power Module and Upper Cooling Fan - HP 33440

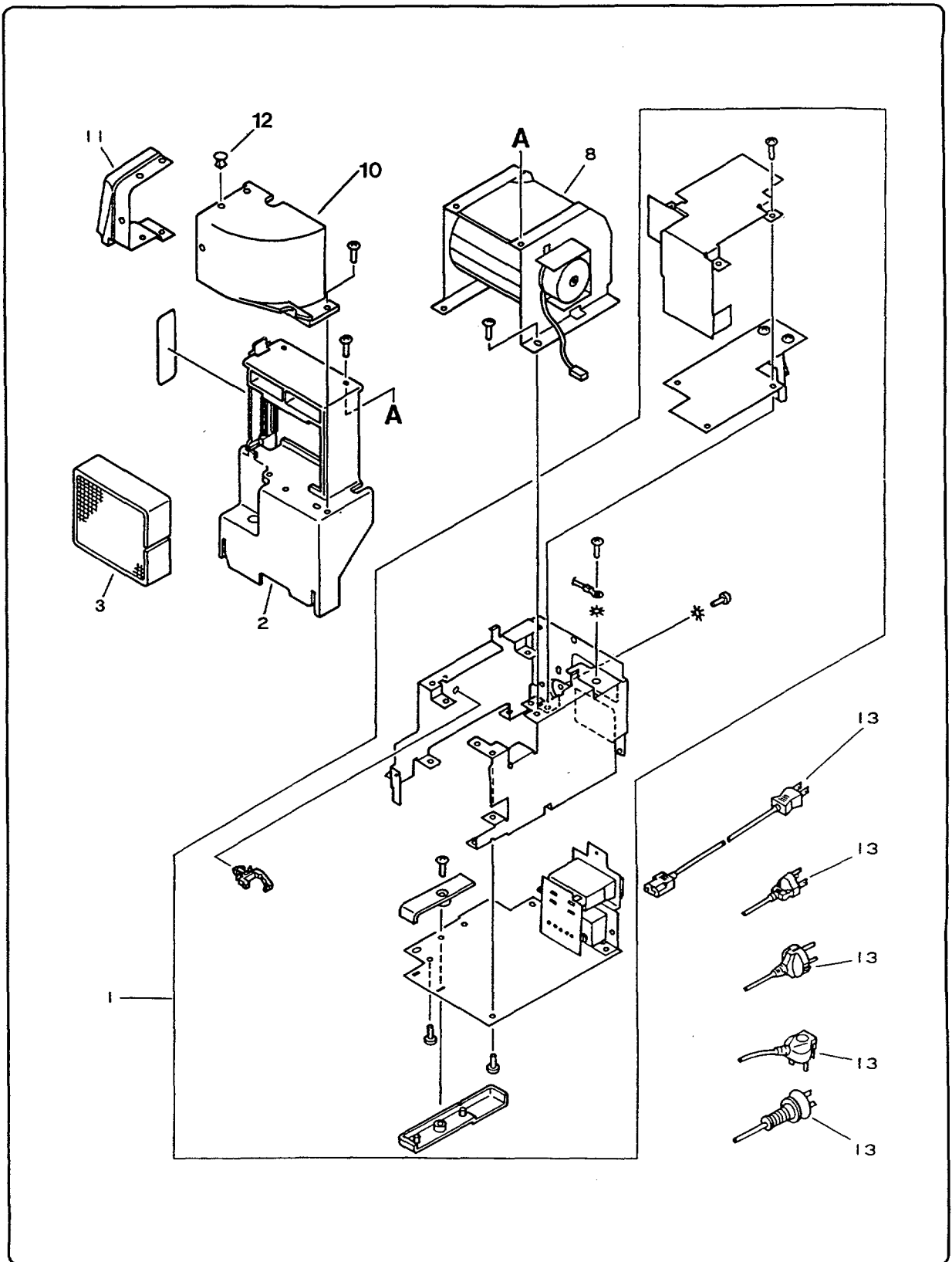


Figure 8-4B. AC Power Module and Upper Cooling Fan - HP 33440 and HP 33449

Table 8-4A. AC POWER MODULE AND UPPER COOLING FAN - HP 33440<sup>1</sup>

REF	PART NUMBER	QTY	NOTES	DESCRIPTION
1	RG9-0205-000CN	1		AC POWER MODULE 100/115V
1	RG9-0206-000CN	1		AC POWER MODULE 220/240V
2	RA1-4082-000CN	1		MOUNT, OZONE FILTER
3	RG1-1753-000CN	1		OZONE FILTER KIT
8	RH7-1074-000CN	1		FAN, UPPER COOLING
10	RA1-4083-000CN	1	S	DUCT, EXHAUST
11	RA1-5402-000CN	1	S	HOOD, EXHAUST
12	RA1-5424-000CN	3	S	CLIP, HOOD
13	See note below			POWER CORD






Table 8-4B. AC POWER MODULE AND UPPER COOLING FAN<sup>2</sup>

REF	PART NUMBER	QTY	NOTES	DESCRIPTION
1	RG9-0205-000CN	1		AC PWR MOD. 100/115V (HP 33440)
1	RG9-0206-000CN	1		AC PWR MOD. 220/240V (HP 33440)
1	RG9-0319-000CN	1		AC PWR MOD. 100/115V (HP 33449)
1	RG9-0325-060CN	1		AC PWR MOD. 220/240V (HP 33449)
2	RF1-2133-000CN	1		MOUNT, OZONE FILTER
3	RF1-2130-000CN	1		OZONE FILTER
8	RH7-1074-000CN	1		FAN, UPPER COOLING
10	RA1-7361-000CN	1	S	DUCT, EXHAUST
11	RA1-7362-000CN	1	S	HOOD, EXHAUST
12	RA1-5424-000CN	3	S	CLIP, HOOD
13	See note below			POWER CORD

<sup>1</sup>Use this table for earlier HP 33440 printers without a user-replaceable ozone filter.

<sup>2</sup>Use this table for both the HP 33449 and those HP 33440's equipped with a user-replaceable ozone filter.

**Note:** Refer to the *Computer Users Catalog* from DMK for HP power cord ordering information. A portion of this catalog is reproduced below.

Power cords					
Part no.	8120-1348 Black** 8120-1378 Gray**	8120-1351*	8120-1369*	8120-1689*	8120-2104*
Plug					
Voltage rating	125V	250V	250V	250V	250V

\*Order from HP sales office. \*\*These power cords are 2.4m (7.5 ft.) long.

Power Cord Configurations

REF	PART NUMBER	QTY	NOTES	DESCRIPTION
1	RG1-0935-000CN	1		PRESSURE ASSEMBLY

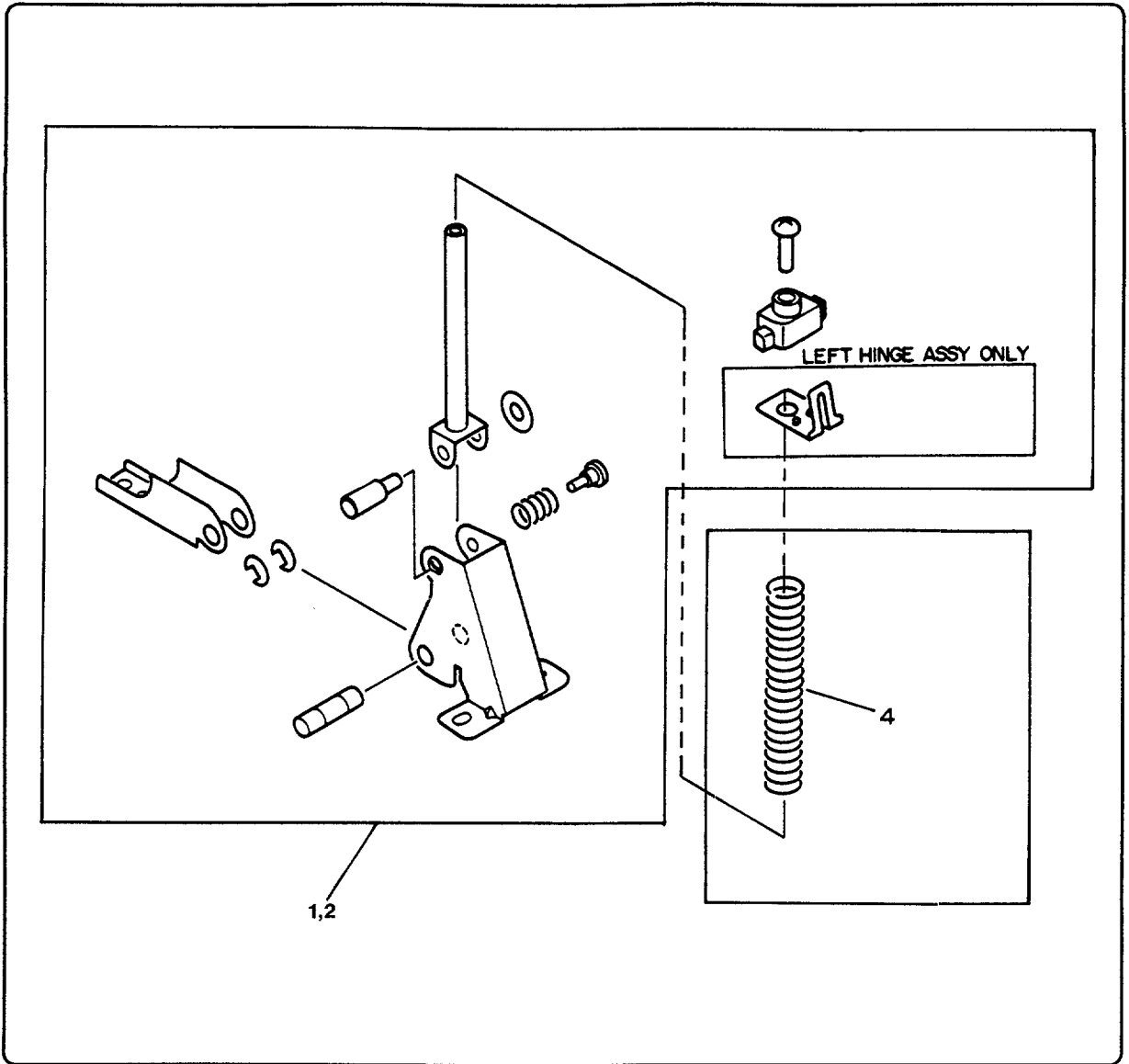


Figure 8-6. Hinge Assembly - HP 33440 and HP 33449

Table 8-6A. HINGE ASSEMBLY - HP 33440

REF	PART NUMBER	QTY	NOTES	DESCRIPTION
1	RG1-0969-000CN	1		HINGE ASSEMBLY, RIGHT
2	RG1-1153-000CN	1		HINGE ASSEMBLY, LEFT
4	RS1-2110-000CN	2		SPRING, HINGE ASSEMBLY

Table 8-6B. HINGE ASSEMBLY - HP 33449

REF	PART NUMBER	QTY	NOTES	DESCRIPTION
1	RG1-1435-000CN	1		HINGE ASSEMBLY, RIGHT
2	RG1-1436-000CN	1		HINGE ASSEMBLY, LEFT
4	RS1-2110-000CN	2		SPRING, HINGE ASSEMBLY

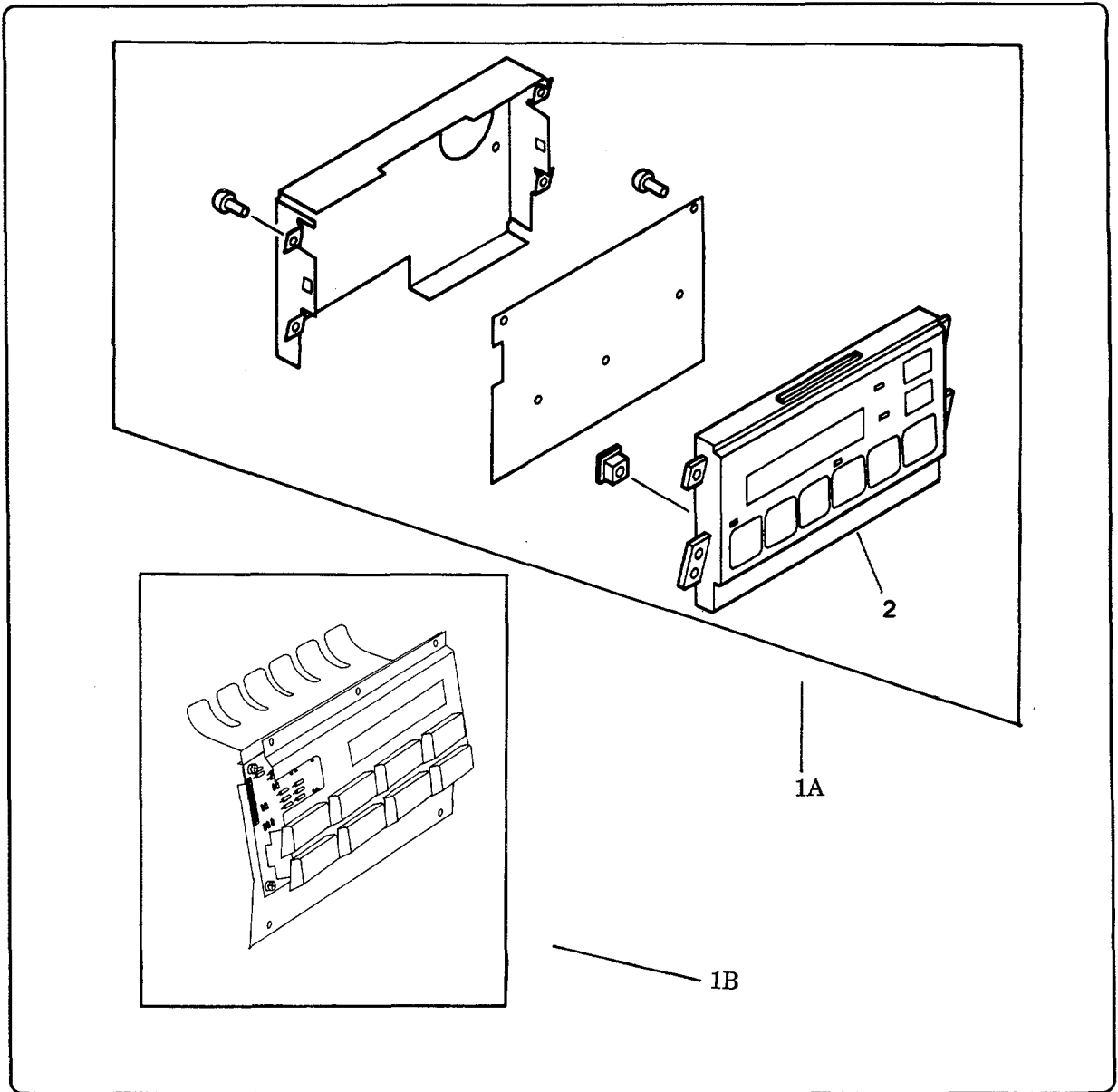


Figure 8-7. Control Panel Assembly - HP 33440 and HP 33449

Table 8-7A. CONTROL PANEL ASSEMBLY - HP 33440

REF	PART NUMBER	QTY	NOTES	DESCRIPTION
1A	RG1-0959-000CN	1		CONTROL PANEL ASSEMBLY
2	RF1-1383-000CN	1		CONTROL PANEL OVERLAY

Table 8-7B. CONTROL PANEL ASSEMBLY - HP 33449

REF	PART NUMBER	QTY	NOTES	DESCRIPTION
1B	RG1-1974-000CN	1		CONTROL PANEL ASSEMBLY

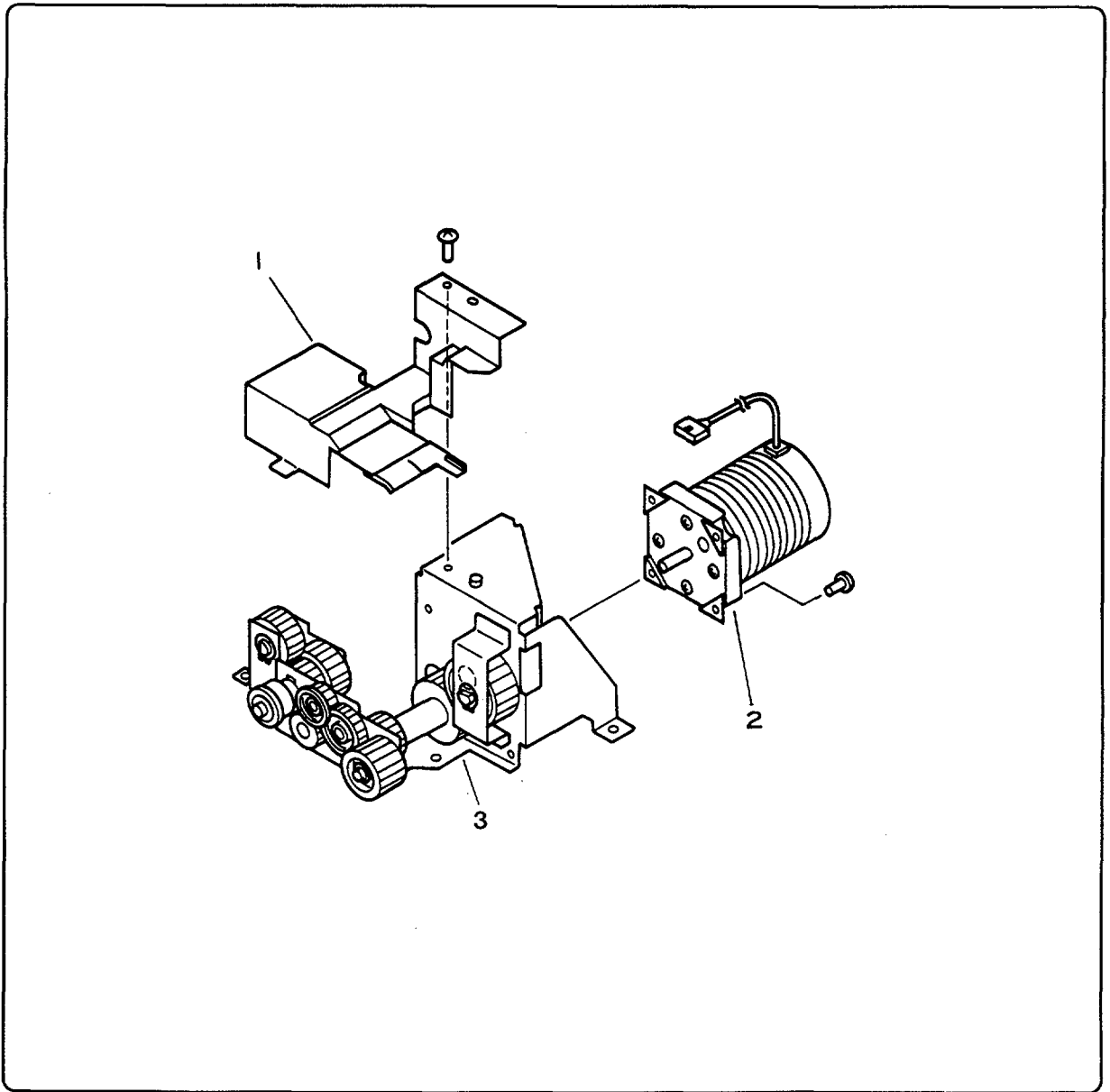


Figure 8-8. Main Motor and Drive Assembly - HP 33440 and HP 33449

Table 8-8. MAIN MOTOR AND DRIVE ASSEMBLY

REF	PART NUMBER	QTY	NOTES	DESCRIPTION
1	RF1-0998-000CN	1		COVER, GEAR
2	RH7-1048-000CN	1		MOTOR, MAIN DRIVE
3	RG1-0943-000CN	1		MAIN MOTOR DRIVE ASSEMBLY



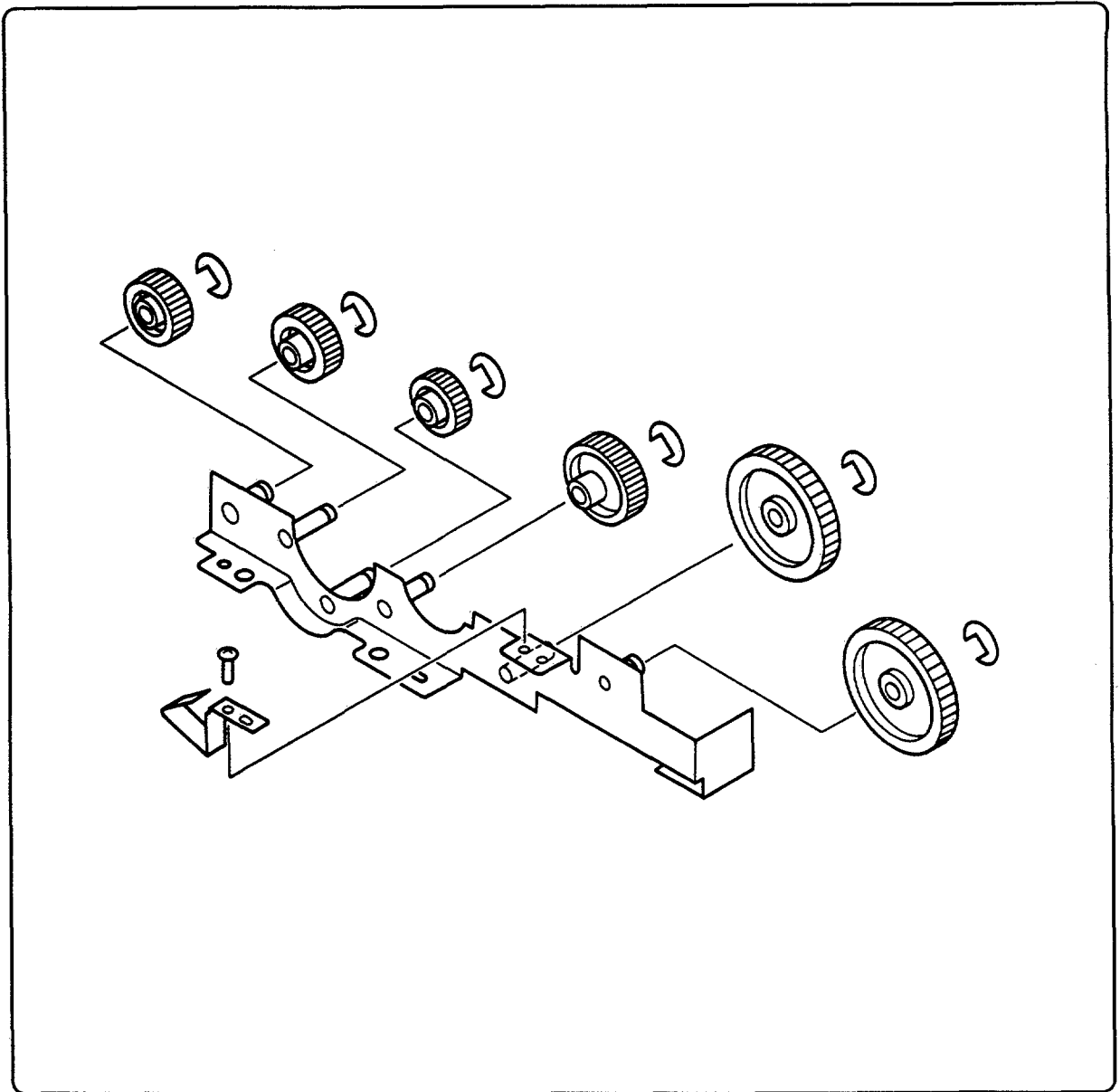


Figure 8-9. Feed Drive Assembly - HP 33440 and HP 33449

Table 8-9. FEED DRIVE ASSEMBLY

REF	PART NUMBER	QTY	NOTES	DESCRIPTION
1	RG1-0934-000CN	1		FEED DRIVE ASSEMBLY

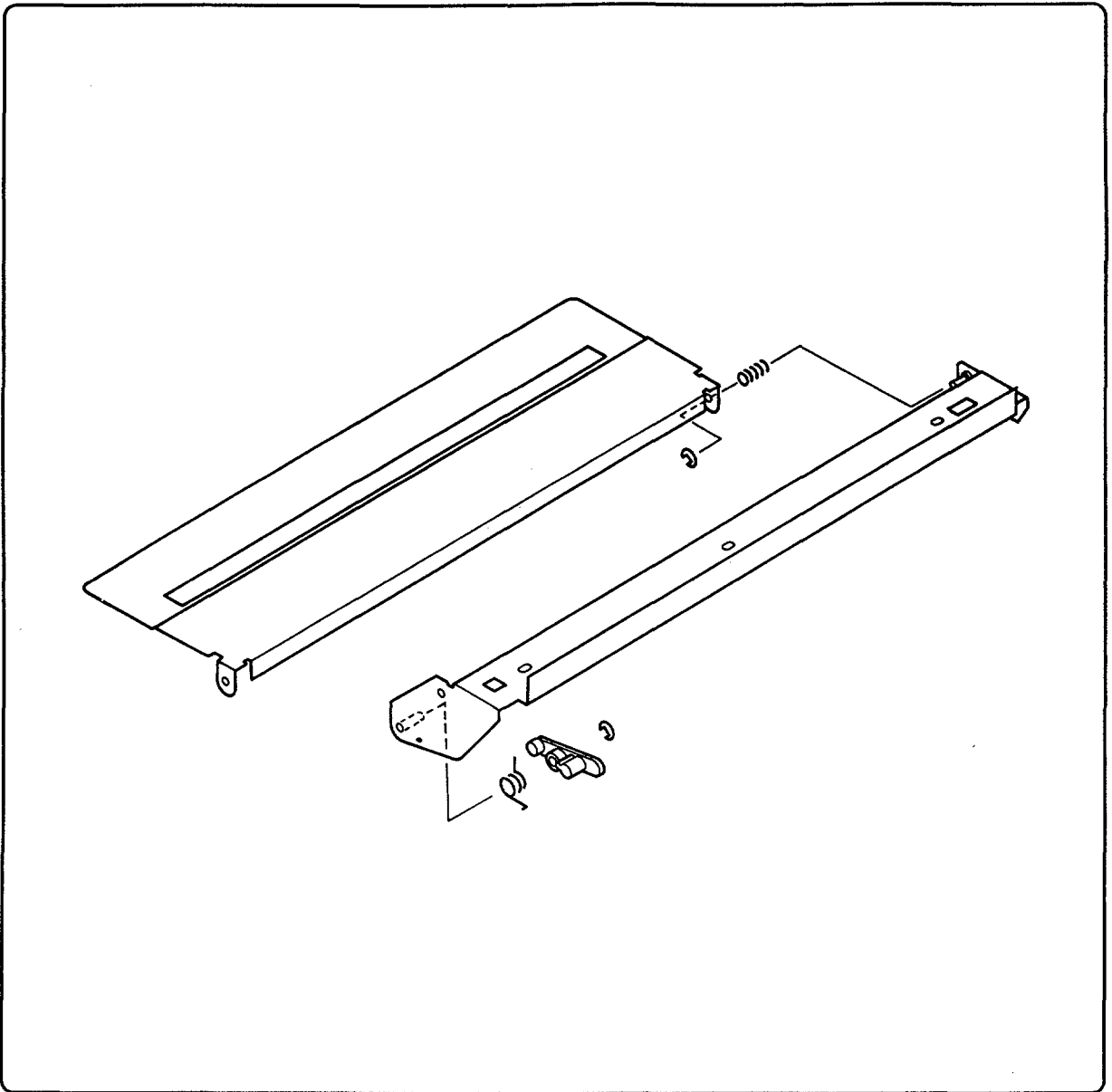


Figure 8-10. Mirror Shutter Assembly - HP 33440 and HP 33449

Table 8-10. MIRROR SHUTTER ASSEMBLY

REF	PART NUMBER	QTY	NOTES	DESCRIPTION
1	RG1-0929-000CN	1		MIRROR SHUTTER ASSEMBLY

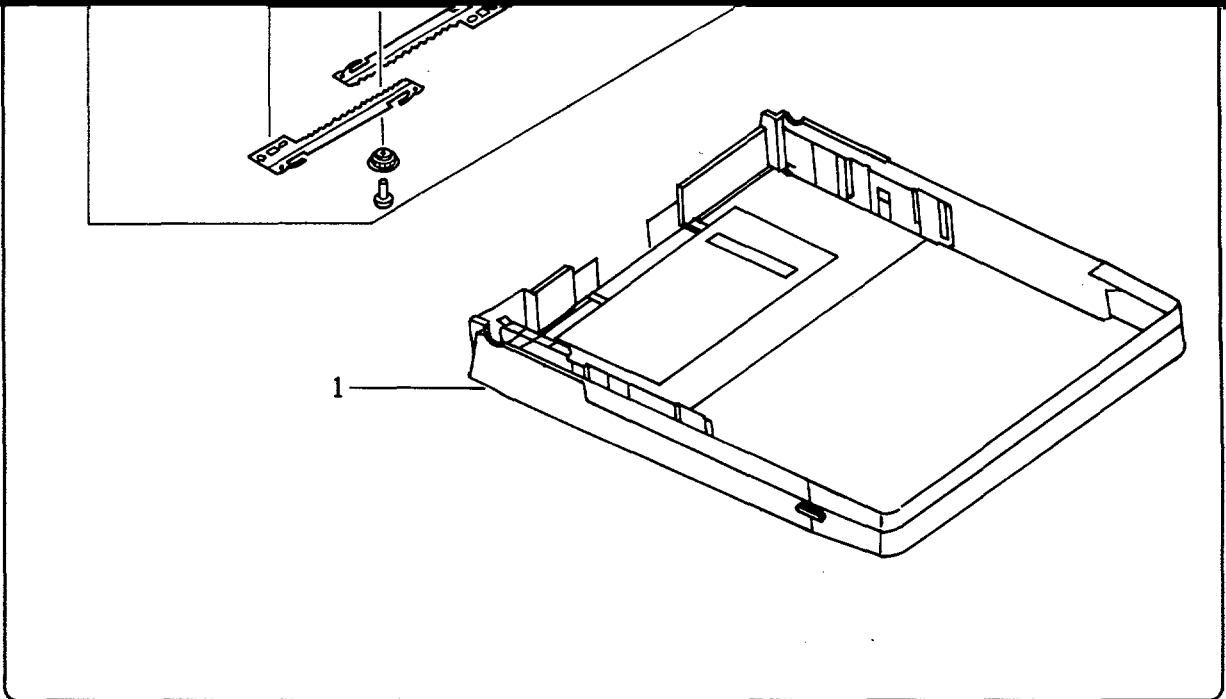


Figure 8-11A. Paper Tray Assembly and Top Cover - HP 33440

Table 8-11A. PAPER TRAY ASSEMBLY AND TOP COVER - HP 33440

REF	PART NUMBER	QTY	NOTES	DESCRIPTION
1	92295B			TRAY, LETTER SIZE (8.5x11in)
1	92295C			TRAY, LEGAL SIZE (8.5x14in)
1	92295D			TRAY, A4 SIZE (210x297mm)
1	92295E			TRAY, EXECUTIVE SIZE (182x257mm)
1	92295F			TRAY, ENVELOPE
2	92295R			COVER, INPUT TRAY
2	92295S			COVER, LEGAL TRAY

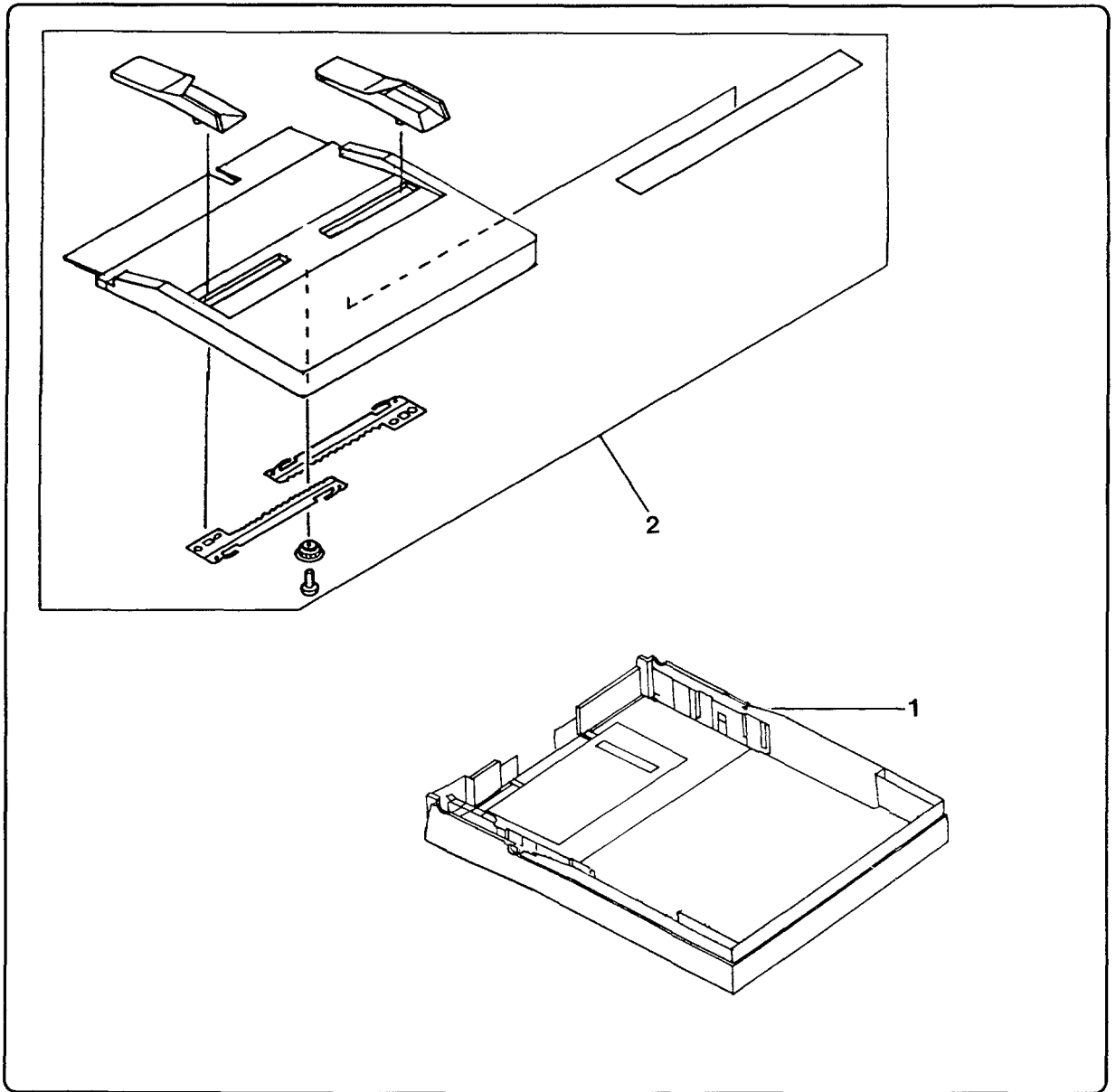


Figure 8-11B. Paper Tray Assembly and Top Cover - HP 33449

Table 8-11B. PAPER TRAY ASSEMBLY AND TOP COVER - HP 33449

REF	PART NUMBER	QTY	NOTES	DESCRIPTION
1	92297B			TRAY, LETTER SIZE (8.5x11in)
1	92297C			TRAY, LEGAL SIZE (8.5x14in)
1	92297D			TRAY, A4 SIZE (210x297mm)
1	92297E			TRAY, EXECUTIVE SIZE (182x257mm)
1	92297F			TRAY, ENVELOPE
2	92297R			COVER, INPUT TRAY
2	92297S			COVER, LEGAL TRAY

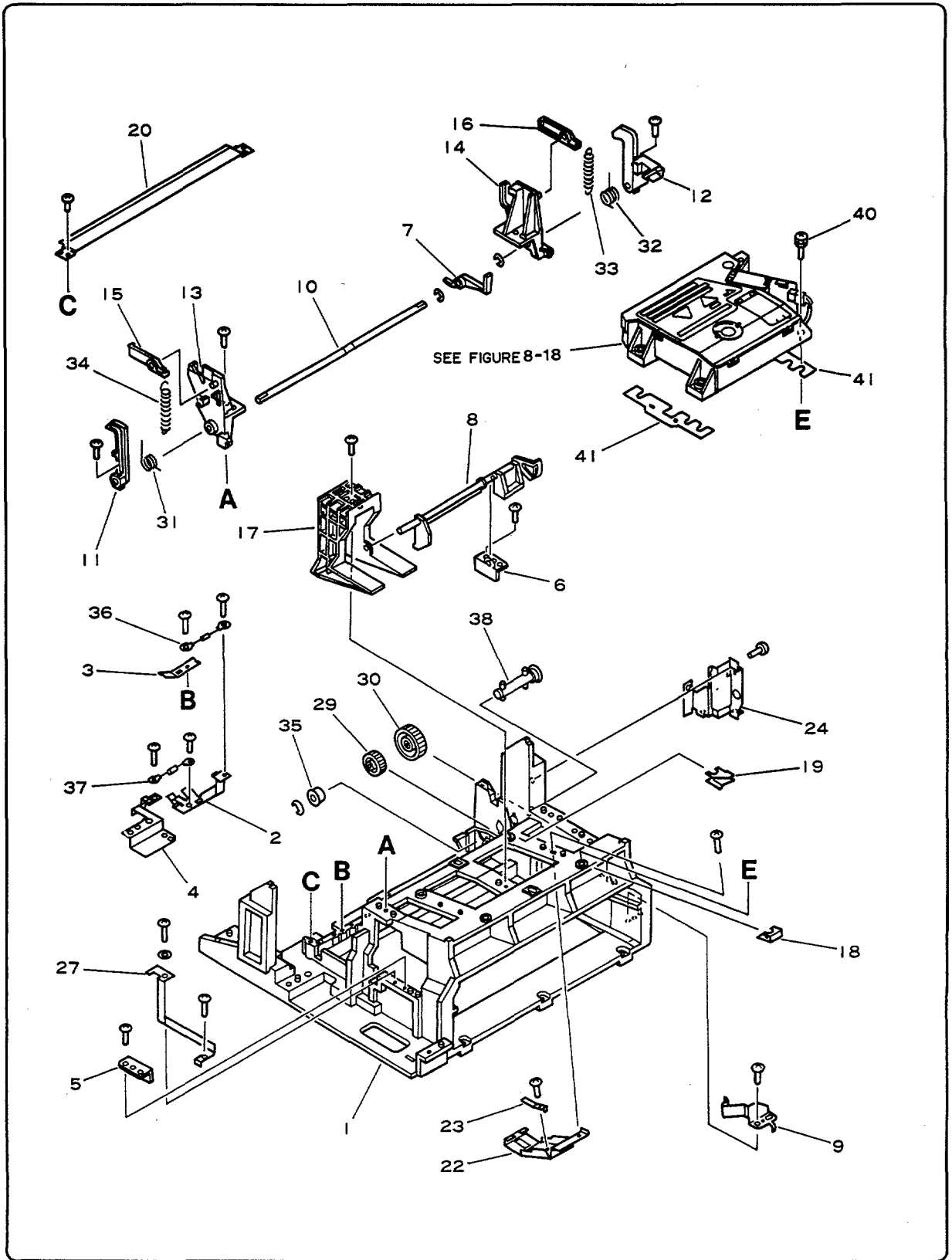


Figure 8-12. Main Body Assembly - HP 33440 and HP 33449

Table 8-12. MAIN BODY ASSEMBLY

REF	PART NUMBER	QTY	NOTES	DESCRIPTION
1	RA1-3821-000CN	1		BLOCK, MAIN BODY (HP 33440) +33449
<del>1</del>	<del>RA1-4776-000CN</del>	<del>1</del>		<del>BLOCK, MAIN BODY (HP 33449)</del>
2	RA1-3822-000CN	1	S	PLATE, GROUNDING A
3	RA1-3823-000CN	1	S	PLATE, GROUNDING B (HP 33440)
3	RA1-5479-000CN	1	S	PLATE, GROUNDING B (HP 33449)
4	RA1-3824-000CN	1	S	PLATE, GROUNDING C
5	RA1-3825-000CN	1	S	GUIDE, CASSETTE LEFT
6	RA1-3826-000CN	1		GUIDE, CASSETTE RIGHT
7	RA1-3827-000CN	1		ARM, LASER SHUTTER
8	RA1-3828-040CN	1		ARM, PAPER SENSING
9	RA1-3829-000CN	1	S	SPRING, LEAF
10	RA1-3830-000CN	1	S	SHAFT, HOOK
11	RA1-3831-000CN	1		HOOK, LEFT COVER LATCH
12	RA1-3832-000CN	1		HOOK, RIGHT COVER LATCH
13	RA1-3833-000CN	1		GUIDE, LEFT COVER LATCH HOOK
14	RA1-3834-000CN	1		GUIDE, RIGHT COVER LATCH HOOK
15	RA1-3835-000CN	1		LIFTER, LEFT
16	RA1-3836-000CN	1		LIFTER, RIGHT
17	RA1-3837-000CN	1		GUIDE, AUXILIARY
18	RA1-3838-000CN	1		NUT, SCANNER, A
19	RA1-3839-000CN	1		NUT, SCANNER, B
20	RA1-3864-000CN	1		GUIDE, UPPER TRANSFER
22	RA1-4320-000CN	1	S	COVER, LASER SHUTTER
23	RA1-4321-000CN	1	S	SPRING, LEAF
24	RA1-4319-000CN	1	S	PLATE, BLOCK SUPPORT
27	RA1-4318-000CN	1	S	PLATE, GROUNDING
29	RS1-0105-000CN	1		GEAR, 19 TOOTH
30	RS1-0106-000CN	1		GEAR, 57 TOOTH
31	RS1-2095-000CN	1		SPRING, TORSION
32	RS1-2096-000CN	1		SPRING, TORSION
33	RS1-2097-000CN	1		SPRING, TENSION
34	RS1-2112-000CN	1	S	SPRING, TENSION
35	XG3-6010-303CN	1		BEARING, BALL
36	RF1-2118-000CN	1		RESISTOR ASS'Y, 15 MOHM 1/4W
37	RF1-0841-000CN	1		RESISTOR, 1 KOHM 1/4W
38	RF1-0988-000CN	1		SHAFT, DRUM DRIVE
40	XA9-0375-000CN	4		SCREW, M3x25
41	RA1-5396-000CN	n/a	S	WASHER, SHIM

\*

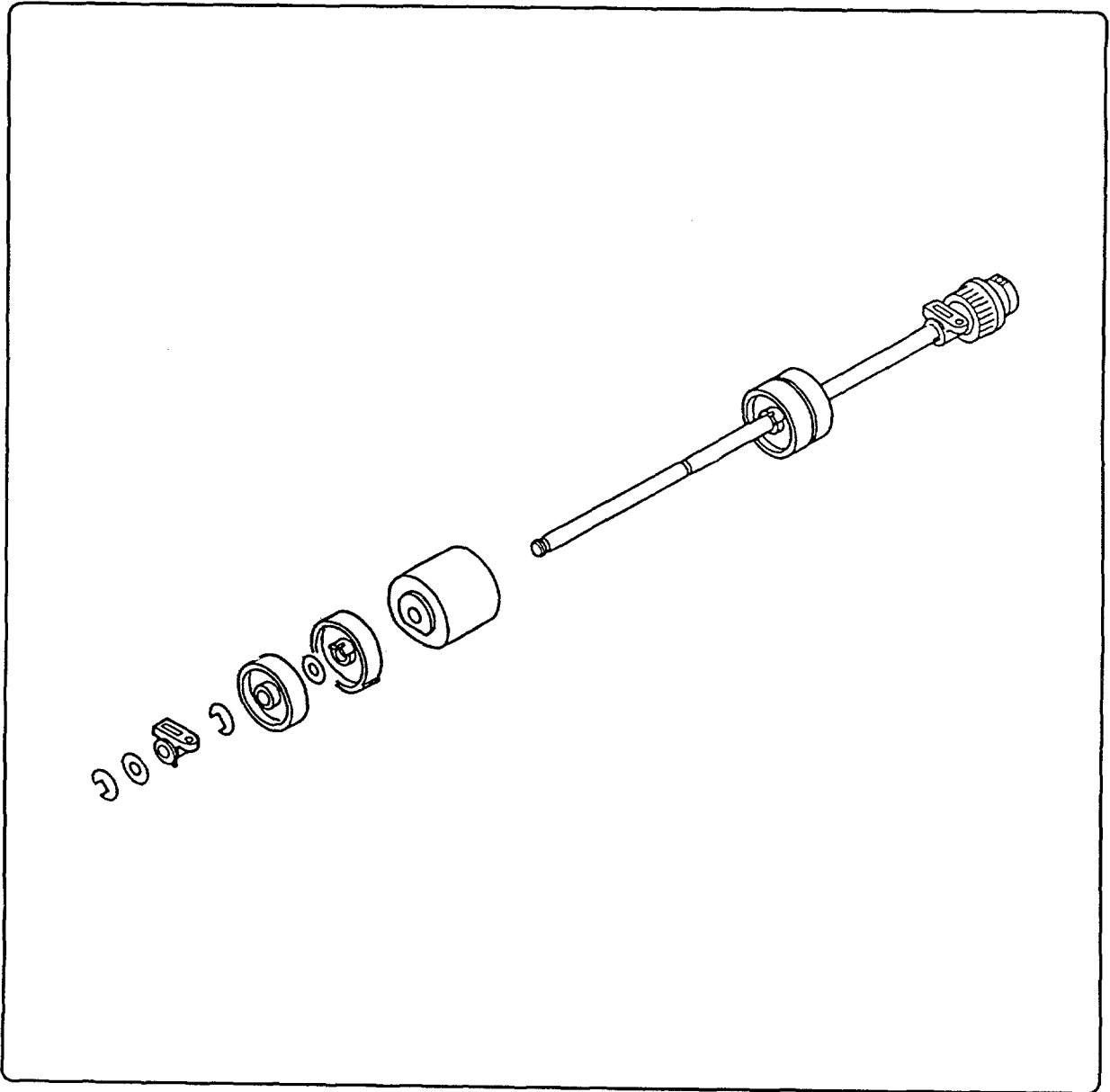


Figure 8-13. Feed Roller Assembly - HP 33440 and HP 33449

Table 8-13. FEED ROLLER ASSEMBLY

REF	PART NUMBER	QTY	NOTES	DESCRIPTION
1	RG1-0931-060CN	1		FEED ROLLER ASSEMBLY

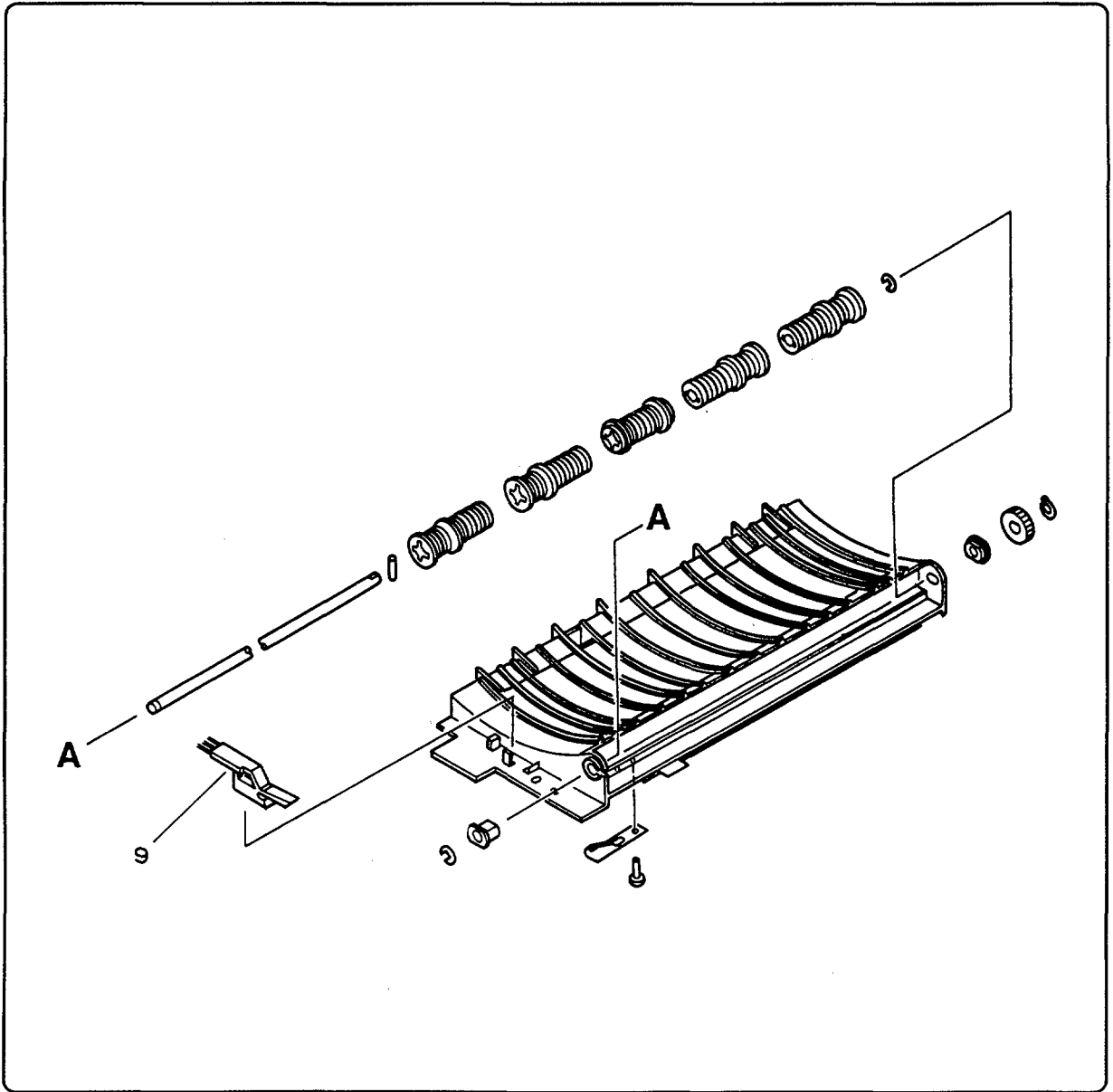


Figure 8-14. Feed Guide Assembly - HP 33440 and HP 33449

Table 8-14. FEED GUIDE ASSEMBLY

REF	PART NUMBER	QTY	NOTES	DESCRIPTION
1	RG1-0938-000CN	1		FEED GUIDE ASSEMBLY
9	RF1-1177-000CN	1		CLEANER



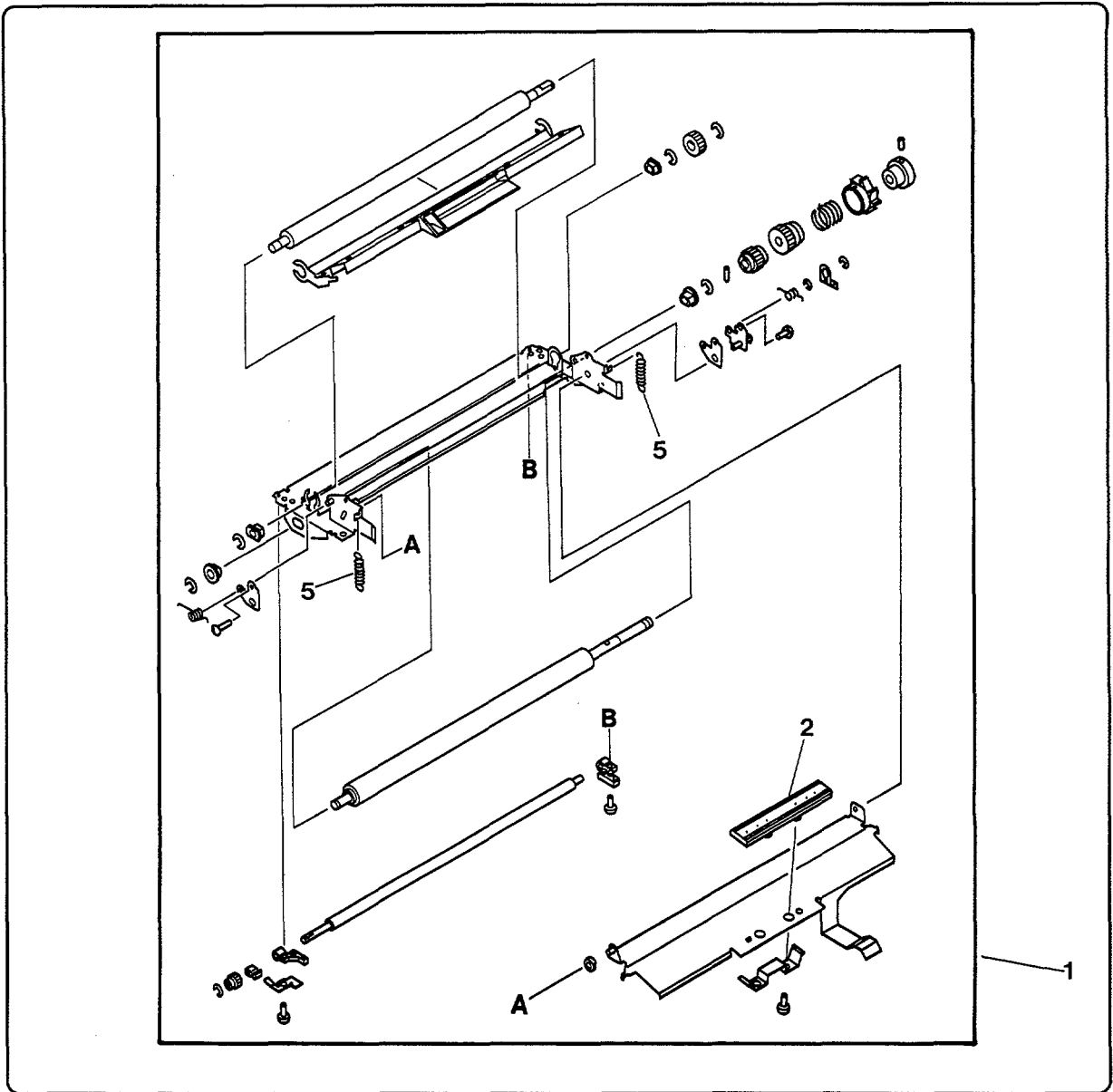


Figure 8-15. Registration Assembly - HP 33440 and HP 33449

Table 8-15. REGISTRATION ASSEMBLY

REF	PART NUMBER	QTY	NOTES	DESCRIPTION
1	RG1-0932-120CN	1		REGISTRATION ASSEMBLY
2	RF1-1145-020CN	1		PAD, SEPARATION
5	RA1-3871-000CN	2		SPRING, TENSION

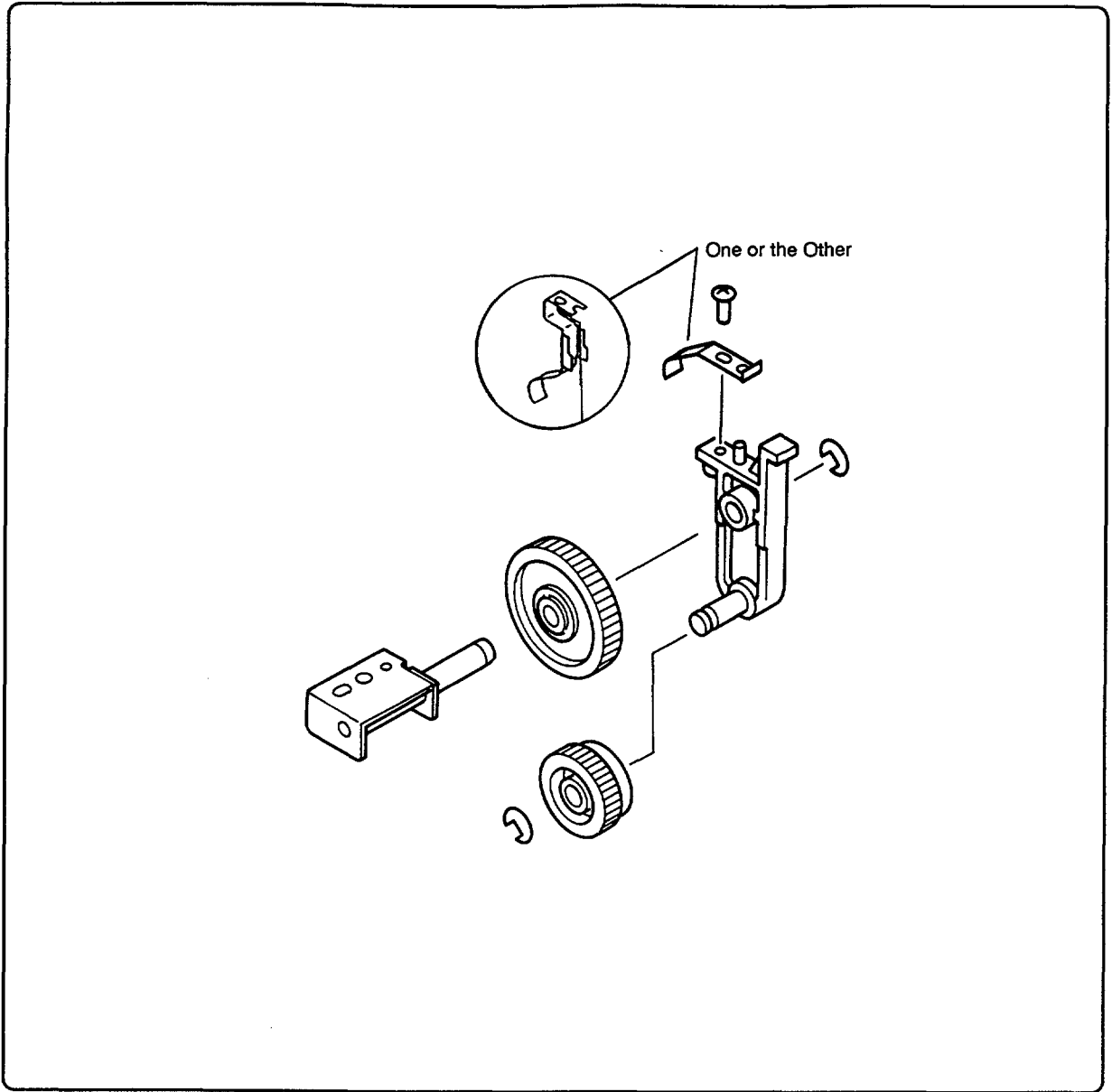


Figure 8-16. Delivery Coupler Assembly - HP 33440 and HP 33449

Table 8-16. DELIVERY COUPLER ASSEMBLY

REF	PART NUMBER	QTY	NOTES	DESCRIPTION
1	RG1-0967-000CN	1		DELIVERY COUPLER ASSEMBLY

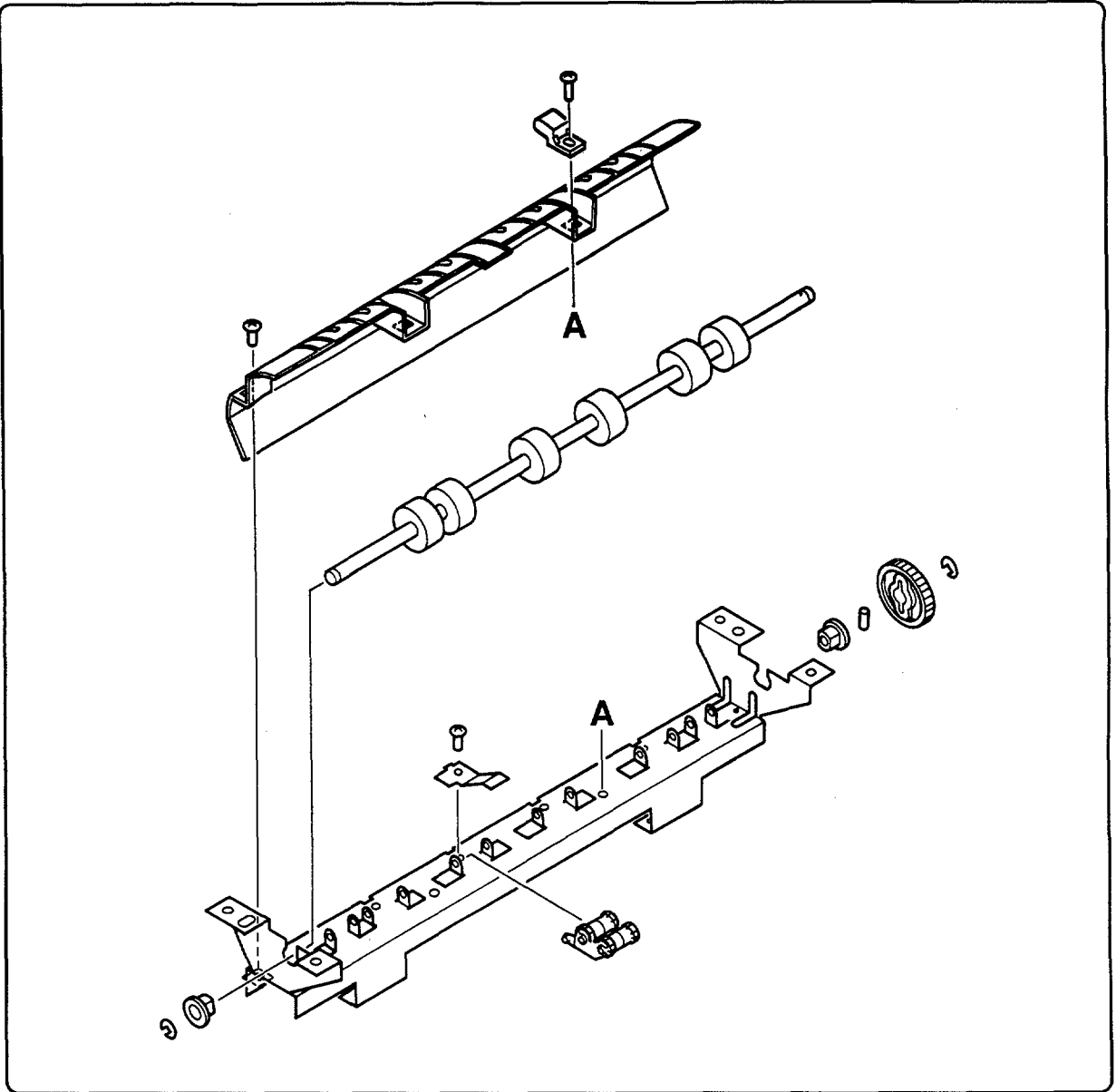


Figure 8-17. Delivery Assembly - HP 33440 and HP 33449

Table 8-17. DELIVERY ASSEMBLY

REF	PART NUMBER	QTY	NOTES	DESCRIPTION
1	RG1-0945-000CN	1		DELIVERY ASSEMBLY

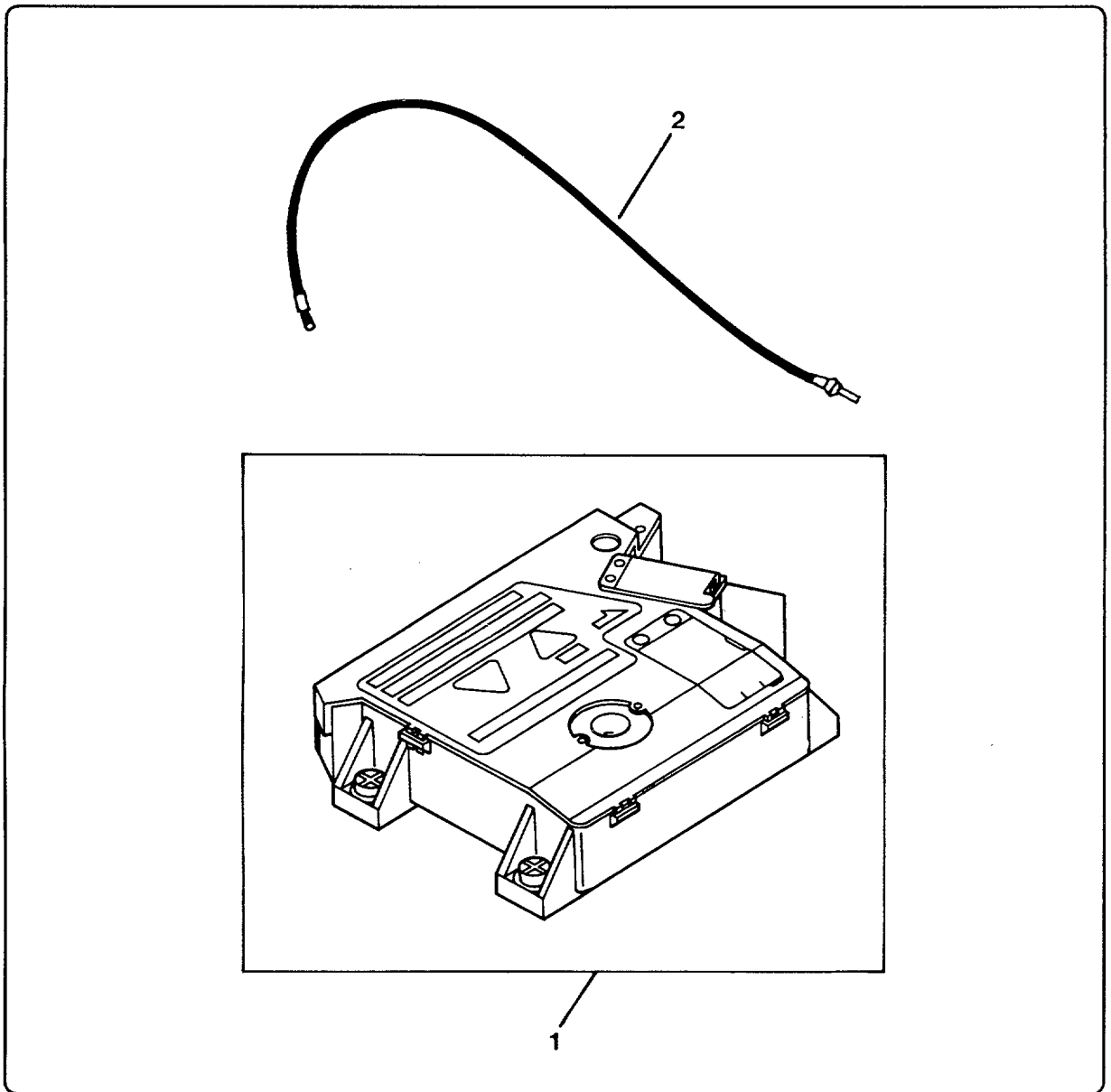


Figure 8-18. Laser Scanning Assembly - HP 33440 and HP 33449

Table 8-18. LASER SCANNING ASSEMBLY

REF	PART NUMBER	QTY	NOTES	DESCRIPTION
1	RG0-0050-030CN	1		LASER/SCANNING ASSEMBLY
2	RH2-5053-000CN	1		FIBER OPTIC CABLE (HP 33440)
2	RH2-5108-000CN	1		FIBER OPTIC CABLE (HP 33449)

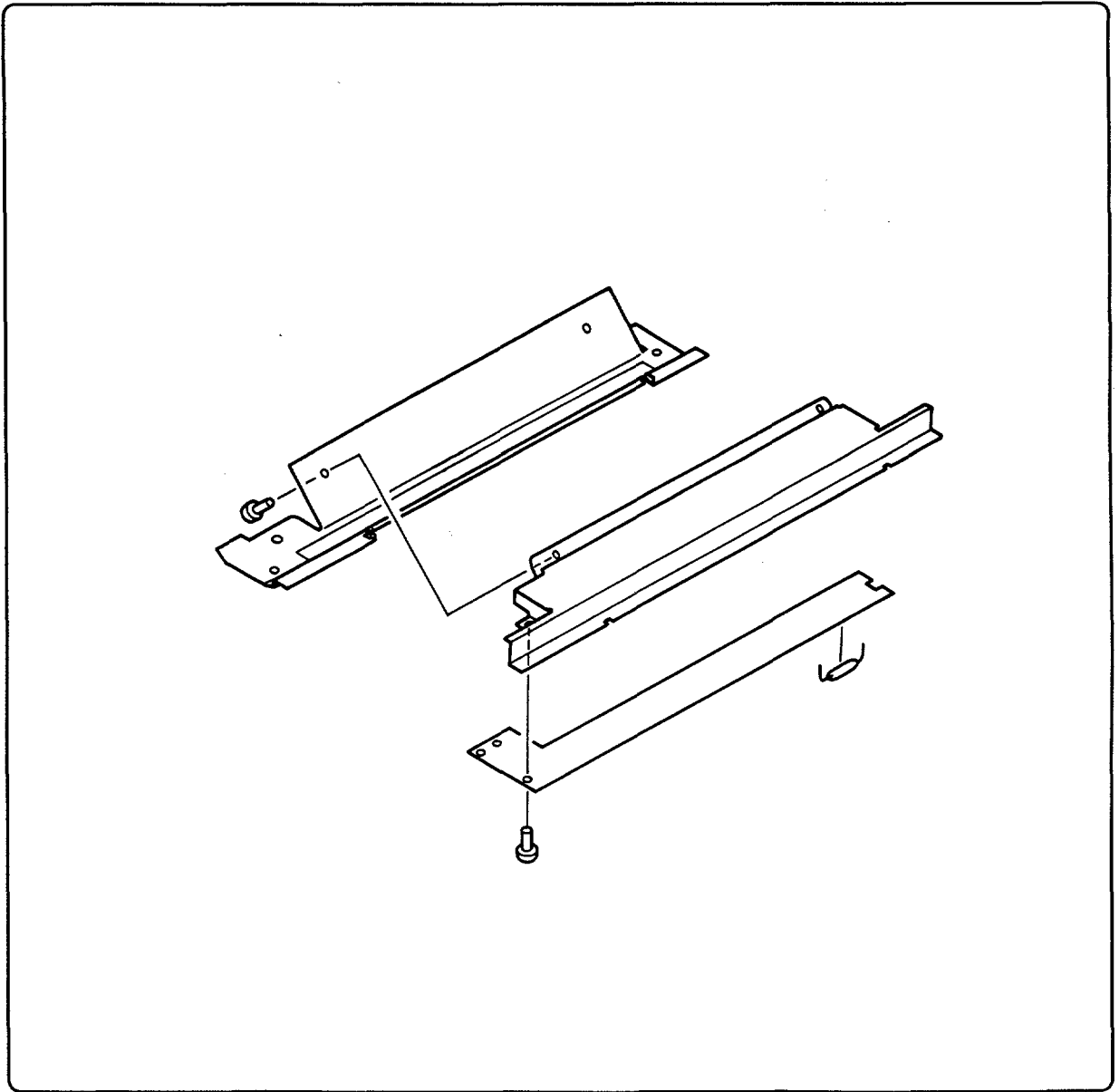


Figure 8-19. Erase Lamp Assembly - HP 33440 and HP 33449

Table 8-19. ERASE LAMP ASSEMBLY

REF	PART NUMBER	QTY	NOTES	DESCRIPTION
1	RG1-0946-000CN	1		ERASE LAMP ASSEMBLY

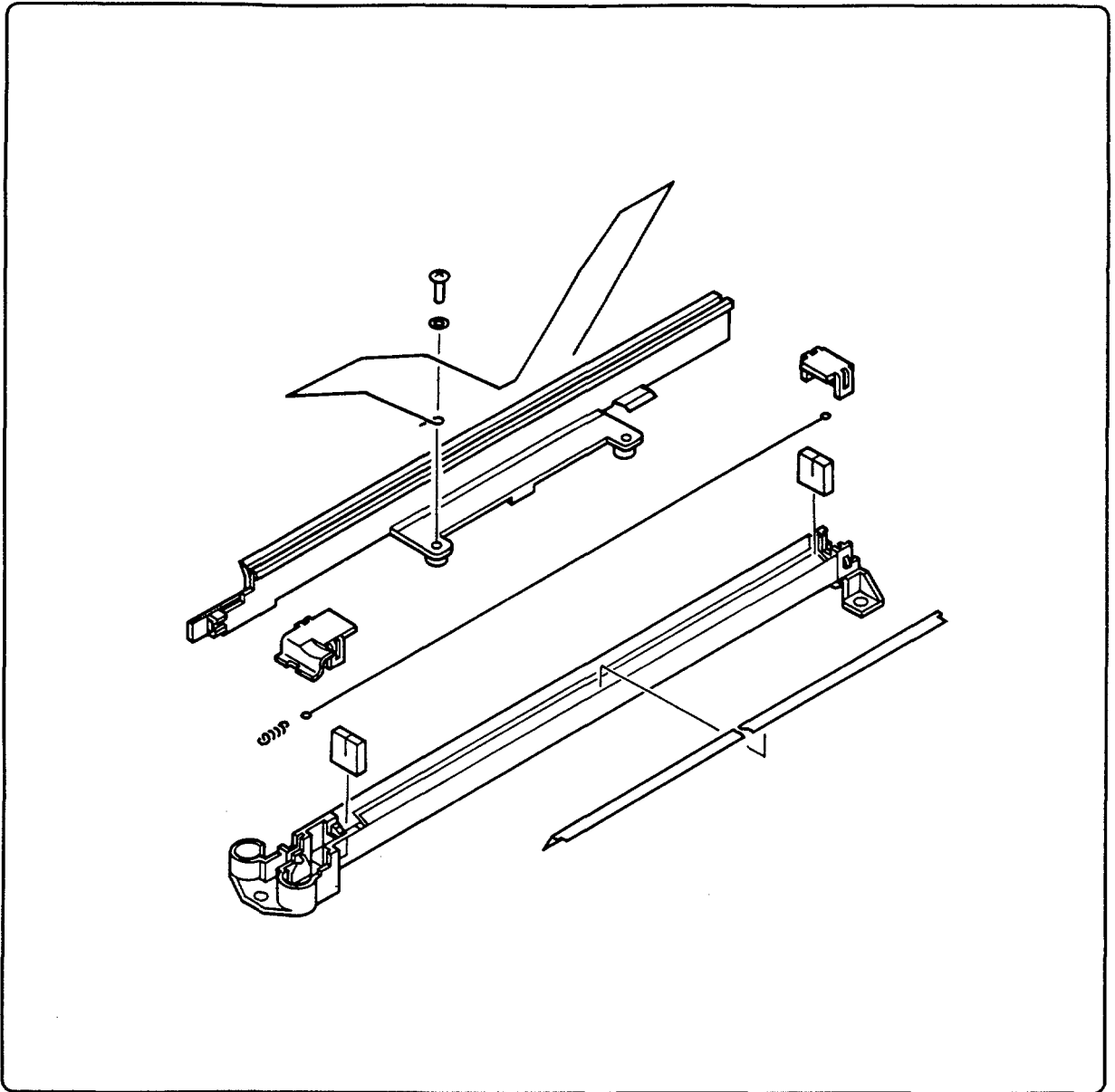


Figure 8-20. Transfer Corona Assembly - HP 33440 and HP 33449

Table 8-20. TRANSFER CORONA ASSEMBLY

REF	PART NUMBER	QTY	NOTES	DESCRIPTION
1	RG1-0933-060CN	1		TRANSFER CORONA ASSEMBLY

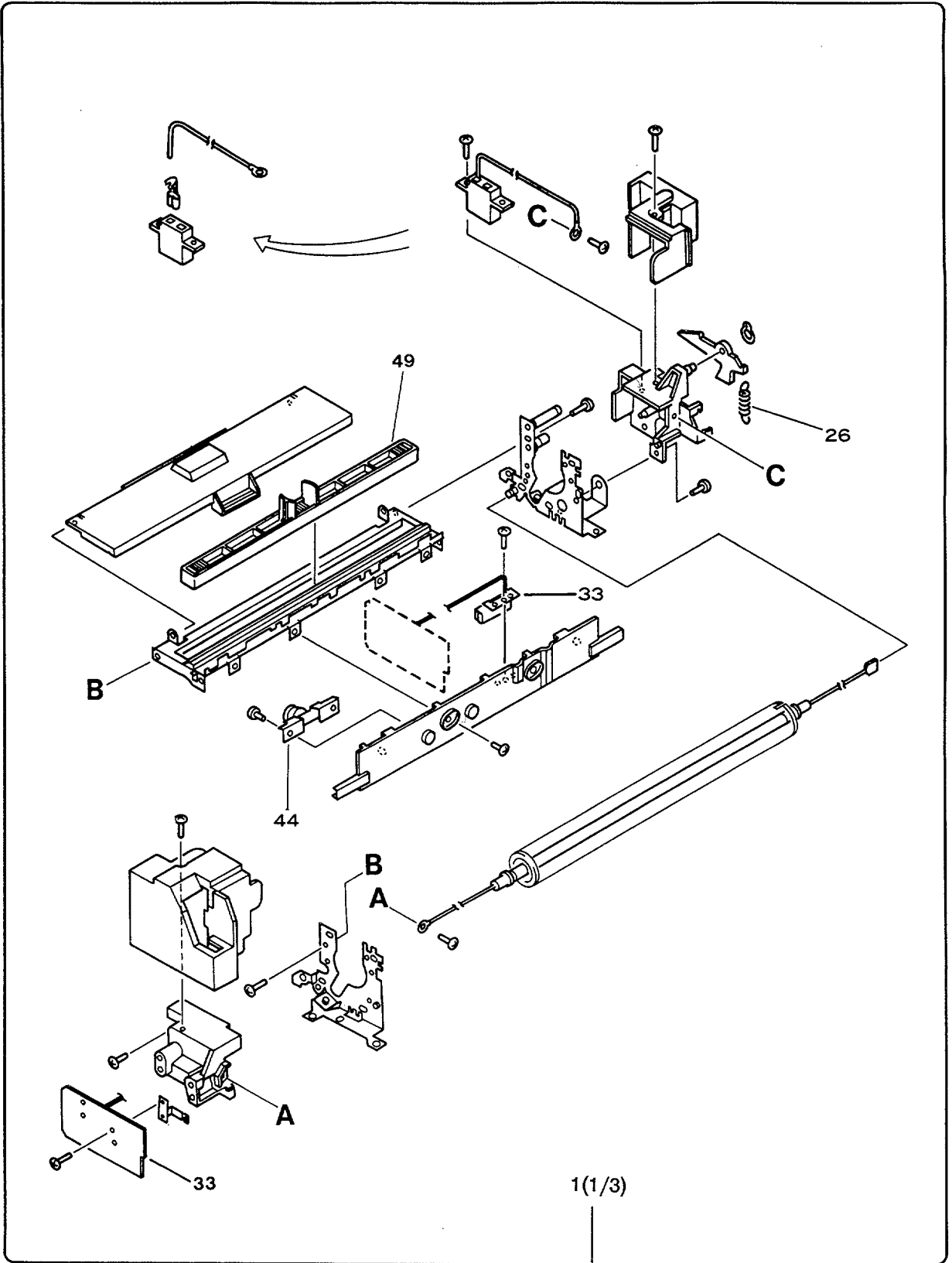


Figure 8-21. Fusing Assembly (1 of 3) - HP 33440 and HP 33449

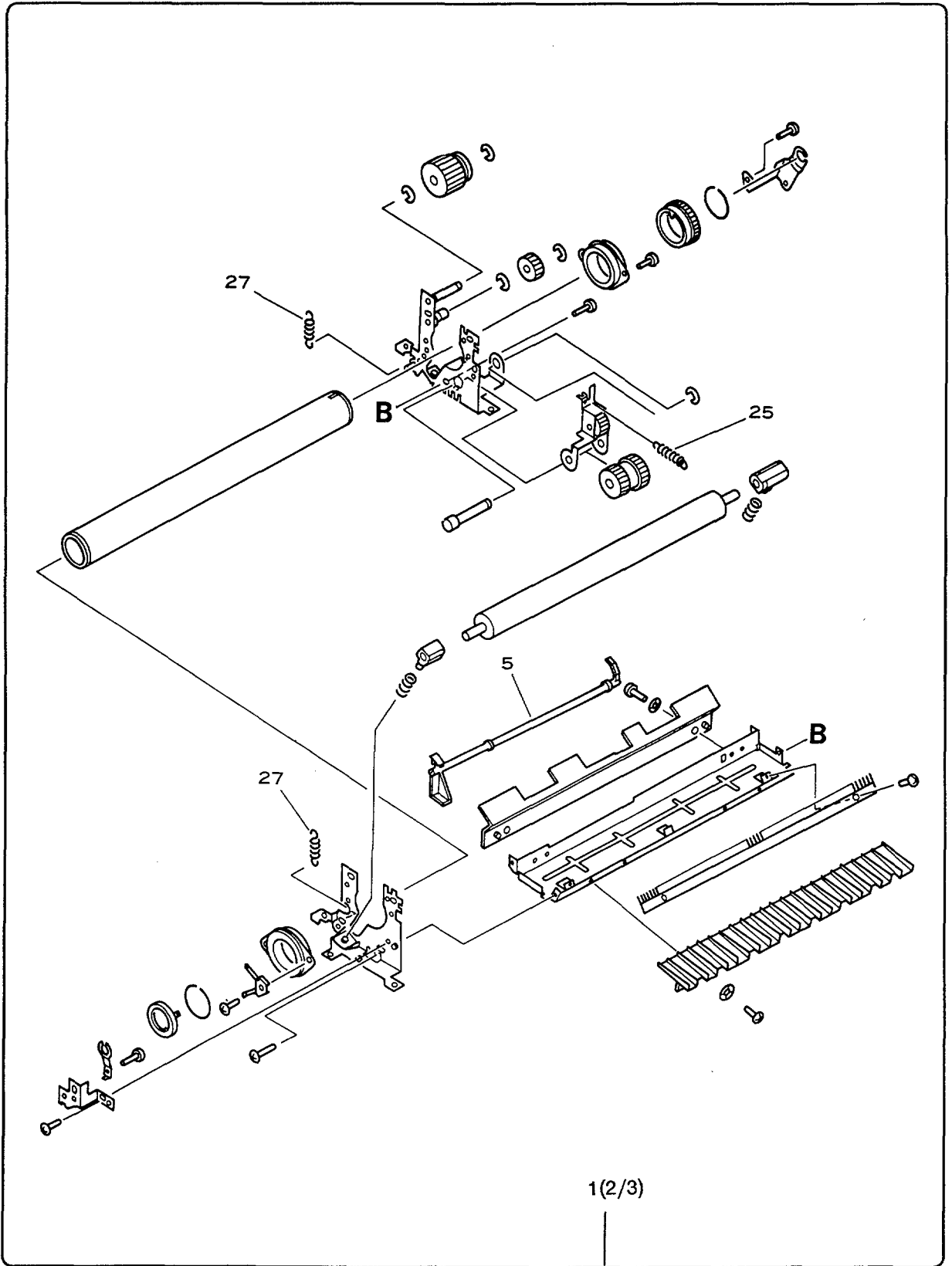


Figure 8-21. Fusing Assembly (2 of 3) - HP 33440 and HP 33449



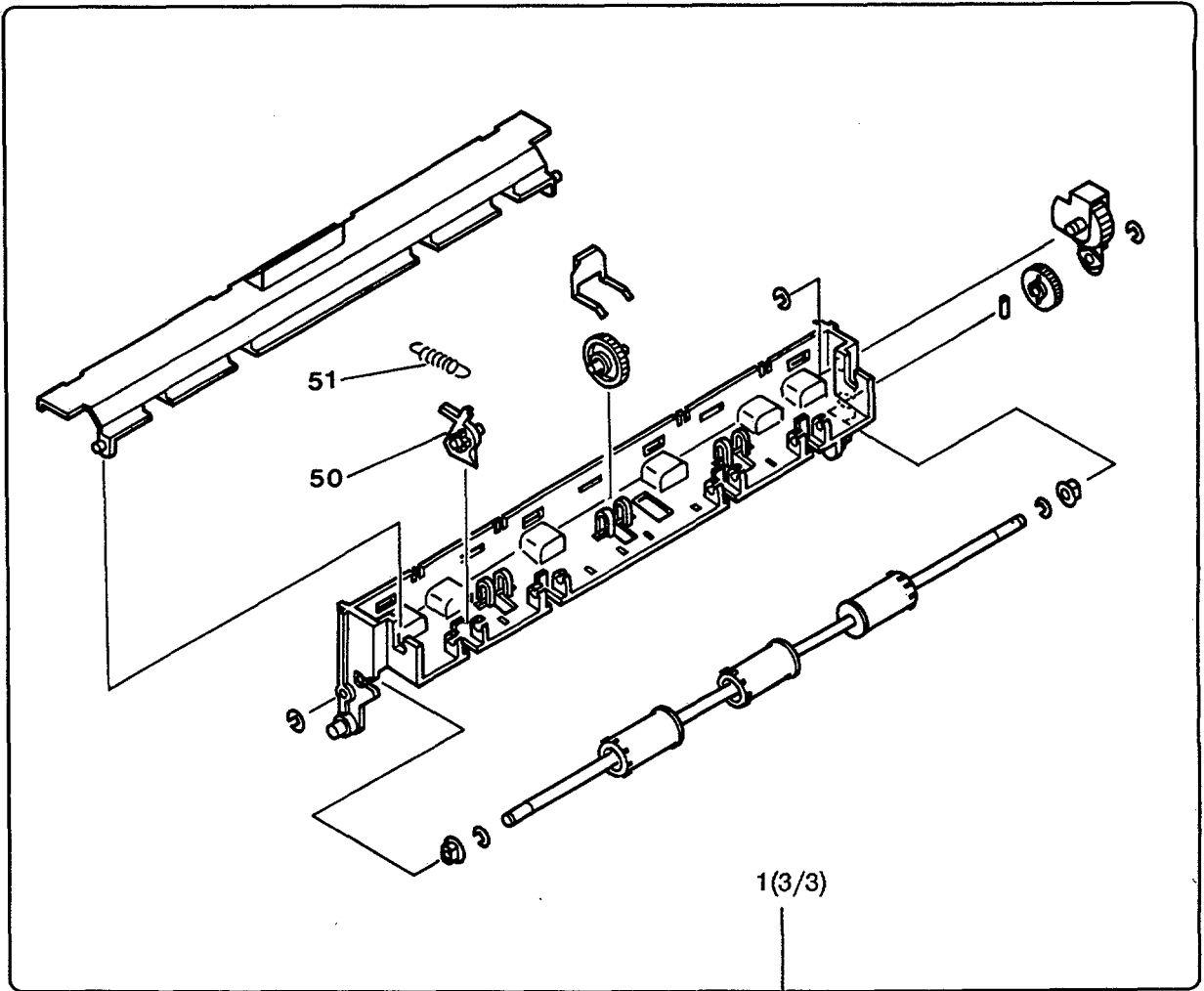


Figure 8-21. Fusing Assembly (3 of 3) - HP 33440 and HP 33449

Table 8-21. FUSING ASSEMBLY

REF	PART NUMBER	QTY	NOTES	DESCRIPTION
1	RG1-0939-230CN	1	New	FUSING ASSEMBLY (100/115V)
1	33440-69003	1	Rebuilt	FUSING ASSEMBLY (100/115V)
1	RG1-0940-000CN	1	New	FUSING ASSEMBLY (220/240V)
1	33440-69009	1	Rebuilt	FUSING ASSEMBLY (220/240V)
5	RA1-3942-000CN	1		ARM, EXIT SENSOR
25	RS1-2104-000CN	1		SPRING, TENSION
26	RS1-2105-000CN	1		SPRING, TENSION
27	RS1-2109-000CN	2		SPRING, TENSION
33	RG1-0719-000CN	1		THERMISTOR/EXIT SENSOR PCA
44	RF1-0842-000CN	1		THERMOPROTECTOR
49	RG1-0966-030CN	1		PAD, FUSER CLEANING
50	RA1-3971-000CN	4		PAWL (CLAW), SEPARATION
51	RS1-2106-000CN	4		SPRING, PAWL TENSION

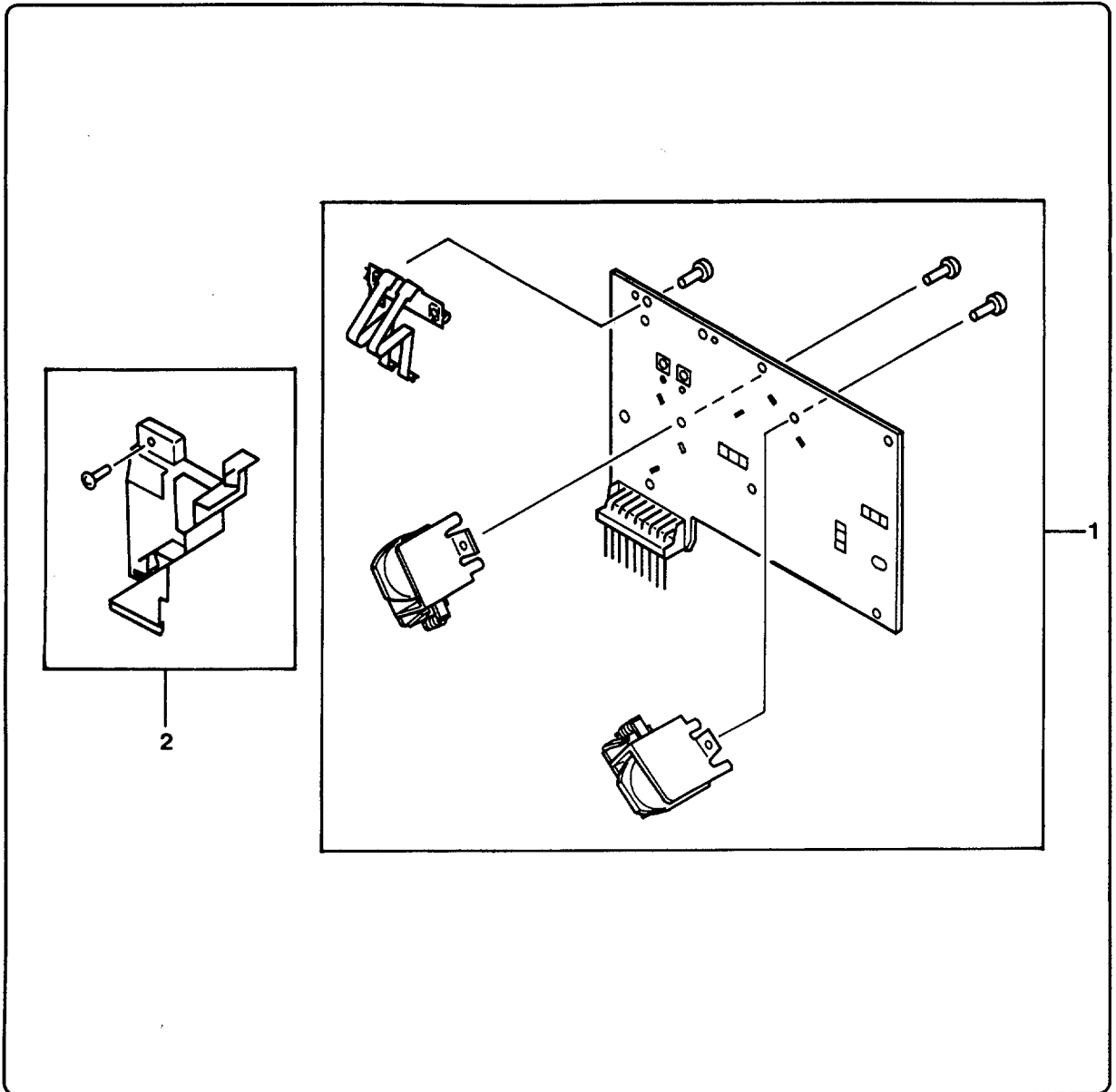


Figure 8-22. Paper Control PCA - HP 33440 and HP 33449

Table 8-22. PAPER CONTROL PCA

REF	PART NUMBER	QTY	NOTES	DESCRIPTION
1	RG1-0718-000CN	1		PAPER CONTROL PCA
2	RA1-4599-000CN	1		COVER, PAPER CONTROL PCA

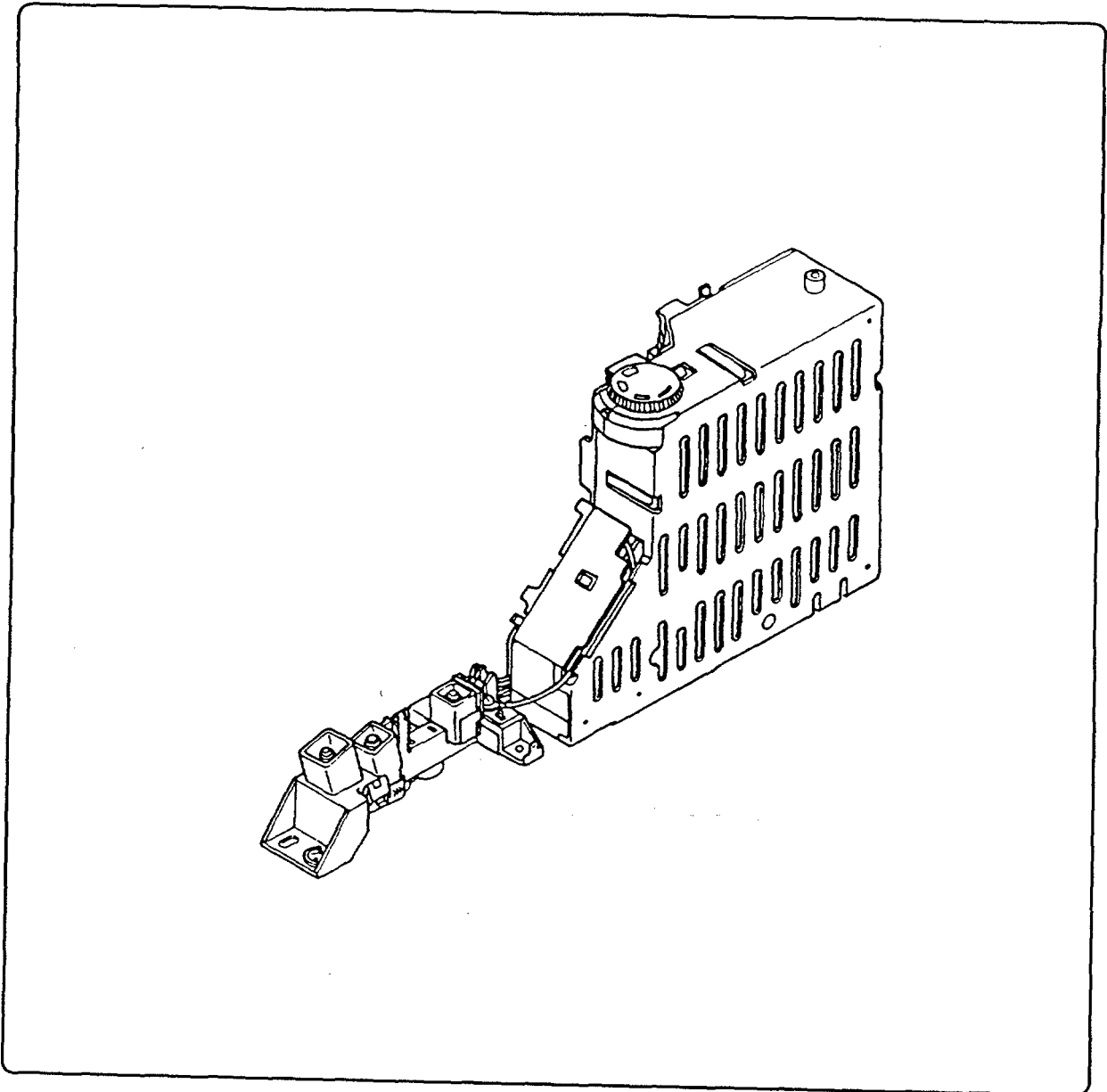


Figure 8-23. High-Voltage Power Supply Assembly - HP 33440 and HP 33449

Table 8-23. HIGH-VOLTAGE POWER SUPPLY ASSEMBLY

REF	PART NUMBER	QTY	NOTES	DESCRIPTION
1	RG1-0936-110CN	1		HIGH-VOLTAGE POWER SUPPLY ASSEMBLY

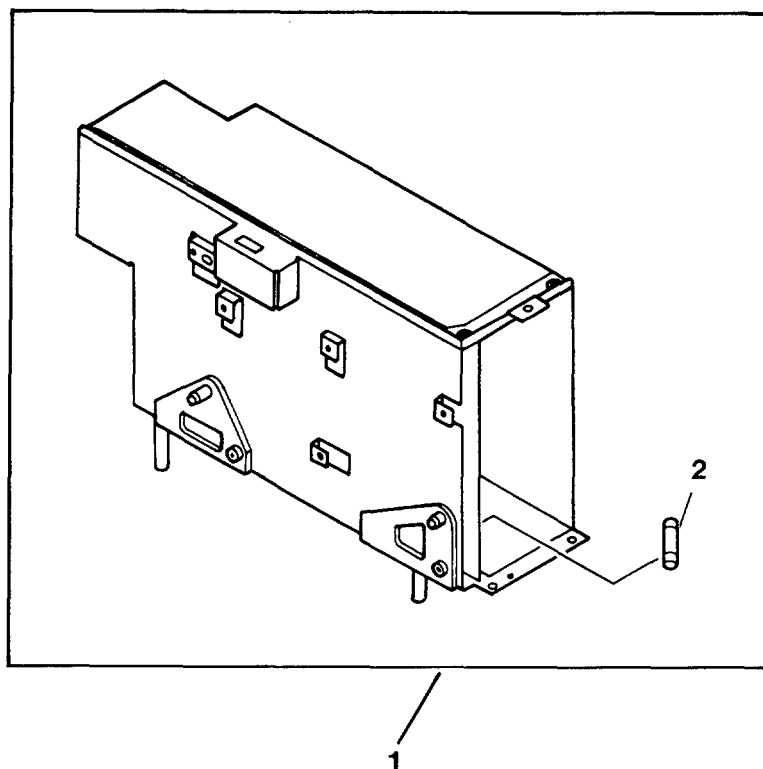


Figure 8-24. DC Power Supply Assembly - HP 33440 and HP 33449

Table 8-24. DC POWER SUPPLY ASSEMBLY

REF	PART NUMBER	QTY	NOTES	DESCRIPTION
1	RG1-1394-020CN	1		DC POWER SUPPLY, 100/115V (HP 33440)
1	RG1-1395-000CN	1		DC POWER SUPPLY, 240V (HP 33440)
1	RG1-1975-000CN			DC POWER SUPPLY, 100/115V (HP 33449)
1	RG1-1977-000CN			DC POWER SUPPLY, 240V (HP 33449)
2	WD1-0222-000CN	1		DC POWER FUSE 250V/3.15A
2	WD1-0224-000CN	1		DC POWER FUSE 125V/6.3A

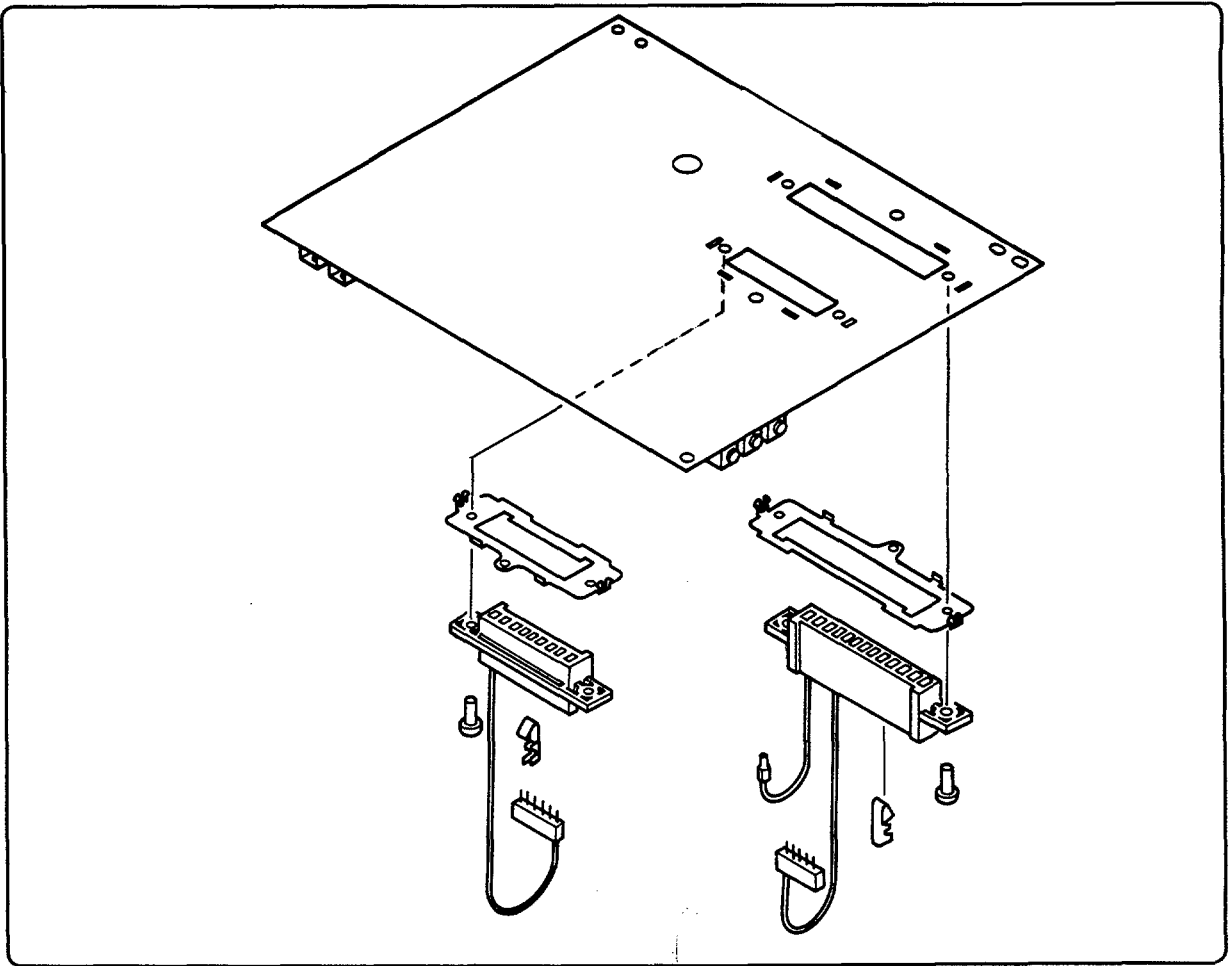


Figure 8-25. DC Controller PCA - HP 33440 and HP 33449

Table 8-25. DC CONTROLLER PCA

REF	PART NUMBER	QTY	NOTES	DESCRIPTION
1	RG1-0710-090CN	1	New	DC CONTROLLER PCA (HP 33440)
1	33440-69002	1	Rebuilt	DC CONTROLLER PCA (HP 33440)
1	RG1-1969-000CN	1	New	DC CONTROLLER PCA (HP 33449)
1	33449-69002	1	Rebuilt	DC CONTROLLER PCA (HP 33449)

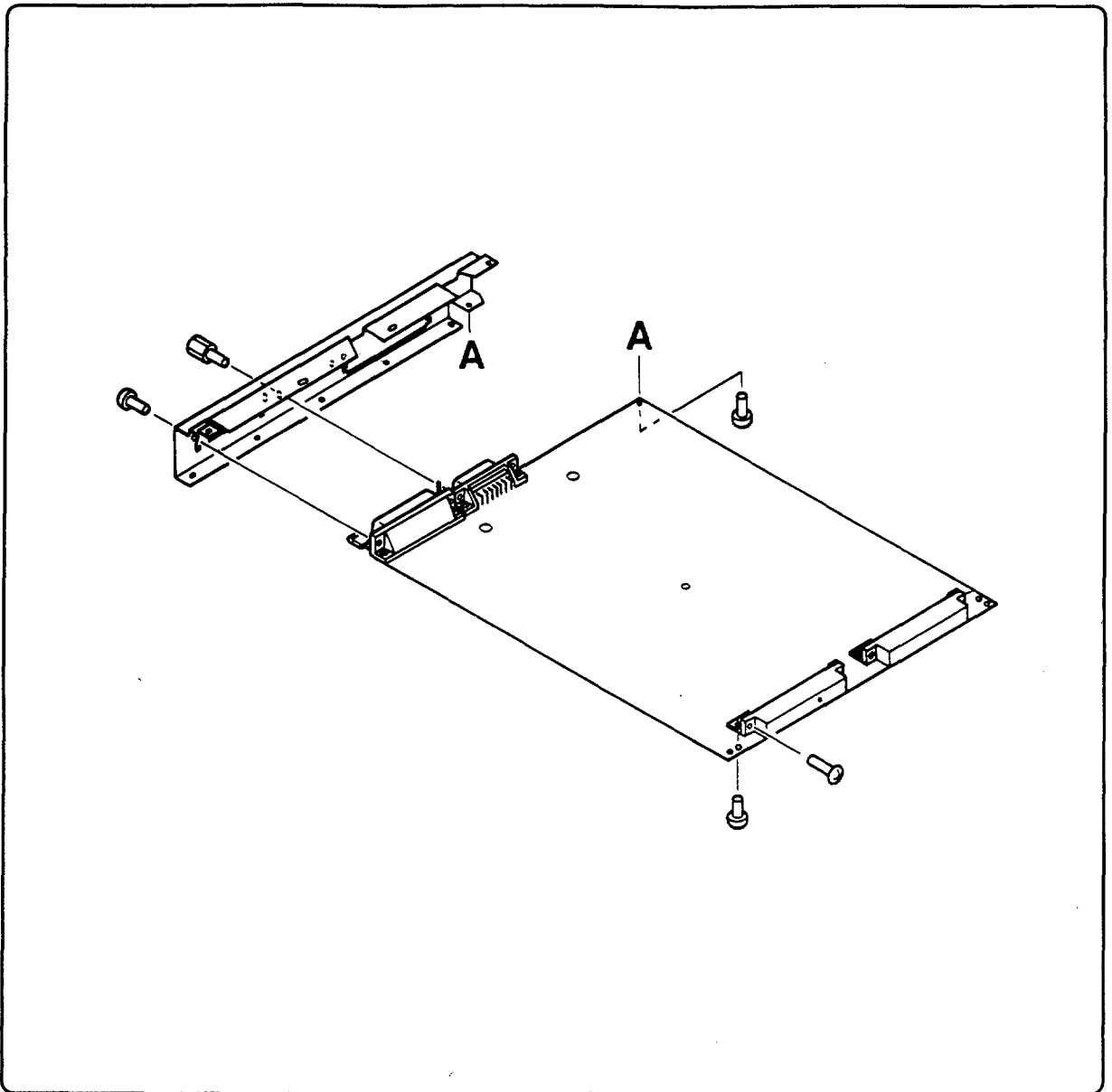


Figure 8-26. Interface/Formatter PCA - HP 33440 and HP 33449

Table 8-26. INTERFACE/FORMATTER PCA - HP 33440 AND HP 33449

REF	PART NUMBER	QTY	NOTES	DESCRIPTION
1	SG4-6212-050CN	1	New	INTERFACE PCA (HP 33440)
1	33440-69001	1	Rebuilt	INTERFACE PCA (HP 33440)
1	33449-60001	1	New	FORMATTER PCA (HP 33449)
1	33449-69001	1	Rebuilt	FORMATTER PCA (HP 33449)

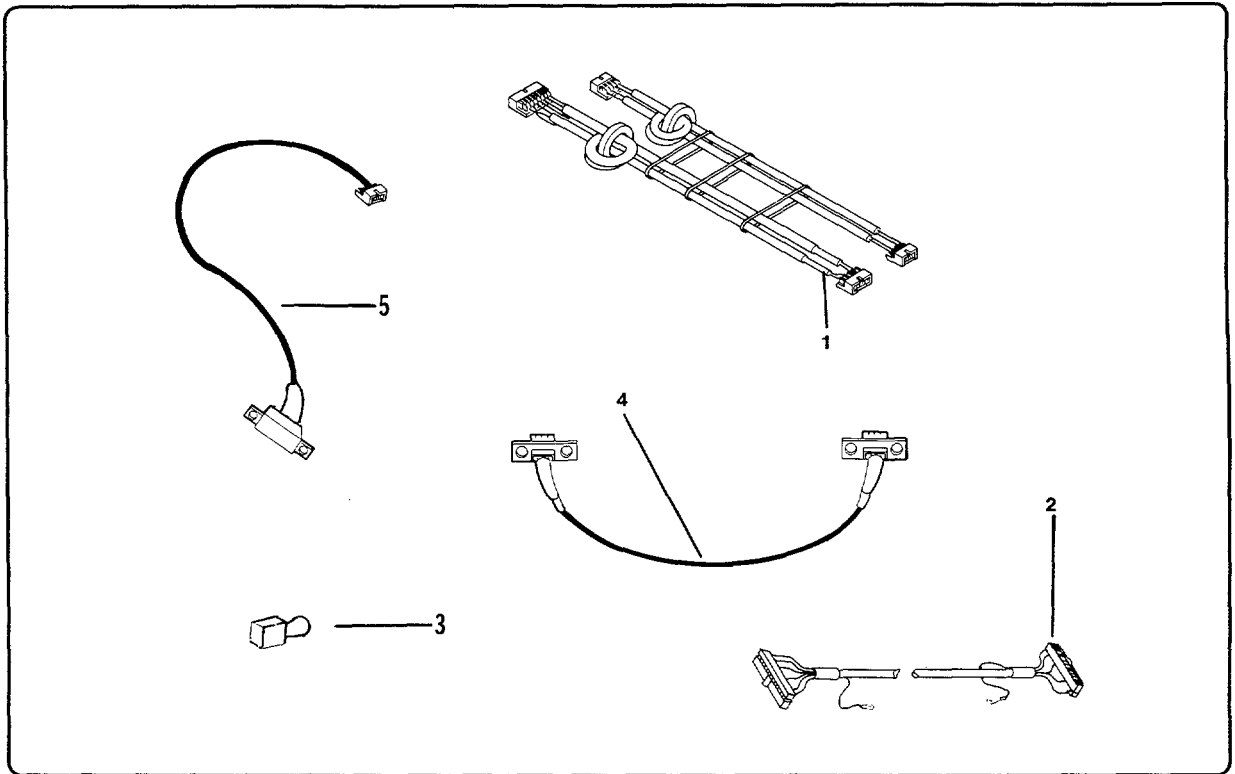


Figure 8-27. Control Panel Cable Assembly - HP 33440 and HP 33449

Table 8-27. CONTROL PANEL CABLE ASSEMBLY AND CONNECTOR CABLES

REF	PART NUMBER	QTY	NOTES	DESCRIPTION
2	SG4-6271-000CN	1		PANEL CABLE ASSEMBLY (HP 33440)
2	RG1-2307-000CN	1		PANEL CABLE ASSEMBLY (HP 33449)
4	RG1-0905-000CN	1		AC POWER MODULE/DC POWER SUPPLY CABLE
5	RG1-0906-000CN	1		HIGH-VOLTAGE POWER SUPPLY CABLE
5	RG1-0907-000CN	1		FUSING ASSEMBLY CABLE
1	RG1-0908-000CN	1		LASER/SCANNING CABLE ASSEMBLY
5	RG1-0912-000CN	1		AC POWER MODULE/DC CONTROLLER CABLE
3	VS1-0440-002CN	1		JUMPER: SIGNAL GND TO FRAME GROUND