

Gestetner[®] **LANIER**  **RICOH**[®] **SAVIN**[®]



A292/A293/A292P/A293P

B098

PARTS CATALOG

000929MIU

RICOH GROUP COMPANIES

Gestetner[®]
LANIER
RICOH[®]
SAVIN[®]

**A292/A293/A292P/A293P/B098
PARTS CATALOG**

RICOH GROUP COMPANIES

Gestetner[®] **LANIER**  **RICOH**[®] **SAVIN**[®]

A292/A293/A292P/A293P/B098
PARTS CATALOG

000929MIU

It is the reader's responsibility when discussing the information contained within this document to maintain a level of confidentiality that is in the best interest of Ricoh Corporation and its member companies.

**NO PART OF THIS DOCUMENT MAY BE REPRODUCED IN ANY
FASHION AND DISTRIBUTED WITHOUT THE PRIOR
PERMISSION OF RICOH CORPORATION.**

All product names, domain names or product illustrations, including desktop images, used in this document are trademarks, registered trademarks or the property of their respective companies.

They are used throughout this book in an informational or editorial fashion only and for the benefit of such companies. No such use, or the use of any trade name, or web site is intended to convey endorsement or other affiliation with Ricoh products.

LEGEND

PRODUCT CODE	COMPANY			
	GESTETNER	LANIER	RICOH	SAVIN
A292	3355		Aficio 551	2055DP
A293	3370		Aficio 700	2070DP
A292 w/G594 Controller	--		Aficio 551P	--
A293 w/G594 Controller	--		Aficio 700P	--
B098	5502	LD055	Aficio1055	2555
A698/B587	Large Capacity Tray –RT37/RT44			
B302	3,000 Sheet Finisher – SR810			
B312/B586	3,000 Sheet Finisher – SR740/SR870			
A763	Booklet Finisher – SR750			
B333/B476/B322	Copy Tray Type 700/1075/ Connector Kit Type 700			
A812	Punch Unit Type 850			
B375/B588	LG Kit Type 700/1055			
B337/B590	Printer Controller Type 700/1055			
G594	EB70 Printer Controller			

DOCUMENTATION HISTORY

REV. NO.	DATE	COMMENTS
*	05/2000	Original Printing
	10/2002	B098 Addition

A292/A292/B098

TABLE OF CONTENTS

A292/A293/B098 PARTS LOCATION AND LIST

LOCATION OF UNIT	4	30.PAPER RESISTRATION 2 (A292/A293/B098)	72
1.EXTERIOR 1 (A292/A293/B098).....	14	31.PAPER RESISTRATION 3 (A292/A293/B098)	74
2.EXTERIOR 2 (A292/A293/B098).....	16	32.TONER BOTTLE HOLDER (A292/A293/B098)	76
3.OPERATION PANEL (A292/A293/B098)	18	33.TONER HOPPER UNIT (A292/A293/B098).....	78
4.ARD EXTERIOR (A292/A293/B098).....	20	34.DEVELOPMENT UNIT 1 (A292/A293/B098).....	80
5.ORIGINAL FEED SECTION 1 (A292/A293/B098)	22	35.DEVELOPMENT UNIT 2 (A292/A293/B098).....	82
6.ORIGINAL FEED SECTION 2 (A292/A293/B098)	24	36.PCU 1 (A292/A293/B098).....	84
7.ORIGINAL FEED SECTION 3 (A292/A293/B098)	26	37.PCU 2 (A292/A293/B098).....	86
8.ORIGINAL TRANSFER SECTION (A292/A293/B098)	28	38.PCU 3 (A292/A293/B098).....	88
9.ORIGINAL EXIT SECTION 1 (A292/A293/B098).....	30	39.PCU 4 (A292/A293/B098).....	90
10.ORIGINAL EXIT SECTION 2 (A292/A293/B098).....	32	40.TRANSFER SECTION 1 (A292/A293/B098).....	92
11.ARD DRIVE & ELECTRICAL 1 (A292/A293/B098)	34	41.TRANSFER SECTION 2 (A292/A293/B098).....	94
12.ARD DRIVE & ELECTRICAL 2 (A292/A293/B098)	36	42.FUSING UNIT 1 (A292/A293/B098)	96
13.ARD FRAME SECTION (A292/A293/B098).....	38	43.FUSING UNIT 2 (A292/A293/B098)	98
14.OPTICS SECTION 1 (A292/A293/B098).....	40	44.FUSING UNIT 3 (A292/A293/B098)	100
15.OPTICS SECTION 2 (A292/A293/B098).....	42	45.INVERTOR & DUPLEX UNIT 1 (A292/A293/B098)	102
16.OPTICS SECTION 3 (A292/A293/B098).....	44	46.INVERTOR & DUPLEX UNIT 2 (A292/A293/B098)	104
17.OPTICS SECTION 4 (A292/A293/B098).....	46	47.INVERTOR & DUPLEX UNIT 3 (A292/A293/B098)	106
18.LASER UNIT (A292/A293/B098).....	48	48.INVERTOR & DUPLEX UNIT 4 (A292/A293/B098)	108
19.BY-PASS FEED SECTION (A292/A293/B098).....	50	49.INVERTOR & DUPLEX UNIT 5 (A292/A293/B098)	110
20.TANDEM LCT 1 (A292/A293/B098).....	52	50.PAPER EXIT 1 (A292/A293/B098)	112
21.TANDEM LCT 2 (A292/A293/B098).....	54	51.PAPER EXIT 2 (A292/A293/B098).....	114
22.TANDEM LCT 3 (A292/A293/B098).....	56	52.PAPER EXIT 3 (A292/A293/B098)	116
23.UNIVERSAL TRAY (A292/A293/B098).....	58	53.DRIVE SECTION 1 (A292/A293/B098)	118
24.PAPER TRAY (A292/A293/B098)	60	54.DRIVE SECTION 2 (A292/A293/B098)	120
25.PAPER FEED SECTION 1 (A292/A293/B098)	62	55.DRIVE SECTION 3 (A292/A293/B098)	122
26.PAPER FEED SECTION 2 (A292/A293/B098)	64	56.DRIVE SECTION 4 (A292/A293/B098)	124
27.PAPER FEED SECTION 3 (A292/A293/B098)	66	57.DRIVE SECTION 5 (A292/A293/B098)	126
28.VERTICAL TRANSPORT SECTION (A292/A293/B098) ..	68	58.ELECTRICAL SECTION 1 (A292/A293/B098).....	128
29.PAPER RESISTRATION 1 (A292/A293/B098)	70	59.ELECTRICAL SECTION 2 (A292/A293/B098).....	130
		60.ELECTRICAL SECTION 3 (A292/A293/B098).....	132

61.ELECTRICAL SECTION 4 (A292/A293/B098).....	134
62.FRAME SECTION 1 (A292/A293/B098)	136
63.FRAME SECTION 2 (A292/A293/B098)	138
64.FRAME SECTION 3 (A292/A293/B098)	140
65.I/O CONTROL BOARD (A292/A293)	142
66.I/O CONTROL BOARD (B098).....	146
67.MCU BOARD (A292/A293)	150
68.MCU BOARD (B098).....	154
69.BICU BOARD (A292/A293).....	158
70.BICU BOARD (B098).....	168
71.DECAL AND DOCUMENT (A292/A293).....	178
72.SPECIAL TOOLS (A292/A293)	184

A292/A293/B098 PARTS INDEX

PARTS INDEX.....	3
-------------------------	----------

LARGE CAPACITY TRAY RT37/RT44 A698/B587 PARTS LOCATION AND LIST

1.EXTERIOR (A686/B587)	2
2.TRAY DRIVE SECTION (A686/B587).....	4
3.PAPER FEED SECTION 1(A686/B587).....	6
4.PAPER FEED SECTION 2(A686/B587).....	8
5.ELECTRICAL SECTION (A686/B587)	10
6.FRAME SECTION (A686/B587).....	12
7.DECAL AND DOCUMENT (A686/B587)	14

LARGE CAPACITY TRAY A698/B587 RT37/RT44 PARTS INDEX

PARTS INDEX.....	2
-------------------------	----------

3,000 SHEET FINISHER SR810 B302 PARTS LOCATION AND LIST

LOCATION OF UNIT.....	2
1.EXTERIOR (B302).....	6
2.STAPLE TRAY 1 (B302).....	8
3.STAPLE TRAY 2 (B302).....	10

4.STAPLE TRAY 3 (B302).....	12
5.STAPLE TRAY 4 (B302).....	14
6.STAPLER UNIT (B302)	16
7.STAPLE TRANSPORT 1 (B302)	18
8.STAPLE TRANSPORT 2 (B302)	20
9.STAPLE TRANSPORT 3 (B302)	22
10.STAPLE TRANSPORT 4 (B302)	24
11.TRANSPORT SECTION 1 (B302).....	26
12.TRANSPORT SECTION 2 (B302).....	28
13.PAPER EXIT SECTION 1 (B302).....	30
14.PAPER EXIT SECTION 2 (B302).....	32
15.PAPER EXIT SECTION 3 (B302).....	34
16.DRIVE SECTION (B302)	36
17.ELECTRICAL SECTION (B302).....	38
18.FRAME SECTION 1 (B302).....	40
19.FRAME SECTION 2 (B302).....	42
20.DECAL AND DOCUMENT (B302).....	44

3,000 SHEET FINISHER SR810 B302 PARTS INDEX

PARTS INDEX.....	47
-------------------------	-----------

3,000 SHEET FINISHER SR740/SR870 B312/B586 PARTS LOCATION AND LIST

LOCATION OF UNIT.....	2
1.EXTERIOR (B312/B586)	6
2.STAPLE TRANSPORT 1 (B312/B586).....	8
3.STAPLE TRANSPORT 2 (B312/B586).....	10
4.STAPLE TRANSPORT 3 (B312/B586).....	12
5.STAPLE TRAY 1 (B312/B586)	14
6.STAPLE TRAY 2 (B312/B586)	16
7.STAPLER UNIT (B312/B586).....	18
8.TRANSPORT SECTION 1 (B312/B586)	20
9.TRANSPORT SECTION 2 (B312/B586)	22
10.PAPER EXIT SECTION 1 (B312/B586)	24
11.PAPER EXIT SECTION 2 (B312/B586)	26
12.FRAME SECTION (B312/B586)	28

13.DRIVE SECTION (B312/B586).....	30
14.ELECTRICAL SECTION (B312/B586).....	32
15.DECAL AND DOCUMENT (B312/B586)	34

BOOKLET FINISHER SR750 A763 PARTS LOCATION AND LIST

LOCATION OF UNIT	2
1.EXTERIOR 1 (A763).....	8
2.EXTERIOR 2 (A763).....	10
3.EXTERIOR 3 (A763).....	12
4.EXTERIOR 4 (A763).....	14
5.ENTRANCE GUIDE SECTION 1 (A763).....	16
6.ENTRANCE GUIDE SECTION 2 (A763).....	18
7.STAPLE TRAY GUIDE UNIT (A763).....	20
8.UPPER EXIT UNIT (A763)	22
9.JOGER SECTION (A763).....	24
10.LOWER EXIT UNIT (A763).....	26
11.TRANSPORT SECTION 1 (A763).....	28
12.TRANSPORT SECTION 2 (A763).....	30
13.TRANSPORT SECTION 3 (A763).....	32
14.FINISHER STAPL UNIT (A763).....	34
15.TRAY DRIVE SECTION (A763).....	36
16.FINISHER DRIVE SECTION (A763)	38
17.BOOKLET TRANSPORT SECTION 1 (A763).....	40
18.BOOKLET TRANSPORT SECTION 2 (A763).....	42
19.BOOKLET PAPER GUIDE 1 (A763).....	44
20.BOOKLET PAPER GUIDE 2 (A763).....	46
21.BOOKLET STAPLE UNIT (A763).....	48
22.PAPER FOLDER UNIT 1 (A763).....	50
23.PAPER FOLDER UNIT 2 (A763).....	52
24.BOOKLET DRIVE SECTION (A763)	54
25.BOOKLET EXIT SECTION (A763)	56

BOOKLET FINISHER SR750 A763 PARTS INDEX PARTS INDEX	2
--	----------

COPY TRAY TYPE 700/1075/CONNECTOR KIT TYPE 700 B322/B333/B476 PARTS LOCATION AND LIST

1.COPY TRAY/CONNECTOR KIT (B322/B333/B476).....	2
---	---

COPY TRAY TYPE 700/1075/CONNECTOR KIT TYPE 700 B322/B333/B476 PARTS INDEX

PARTS INDEX	2
--------------------------	----------

PUNCH UNIT TYPE 850 A812 PARTS LOCATION AND LIST

1.PUNCH UNIT (A812)	2
---------------------------	---

PUNCH UNIT TYPE 850 A812 PARTS INDEX

PARTS INDEX	2
--------------------------	----------

LG KIT TYPE 700/1055 B375/B588 PARTS LOCATION AND LIST

1.8 1/2x14 Paper Size Tray Unit (B375/B588).....	2
--	---

LG KIT TYPE 700/1055 B375/B588 PARTS

PARTS INDEX	2
--------------------------	----------

PRINTER CONTROLLER TYPE 700/1050 B337/B590 PARTS LOCATION AND LIST

1.PRINTER CONTROLLER (B337/B590).....	2
---------------------------------------	---

PRINTER CONTROLLER TYPE 700/1050 B337/B590 PARTS INDEX

PARTS INDEX	2
--------------------------	----------

PRINTER CONTROLLER EB70 G594 PARTS LOCATION AND LIST

1.PRINTER CONTROLLER TYPE B (G594).....	2
---	---

PRINTER CONTROLLER EB70 G594 PARTS INDEX

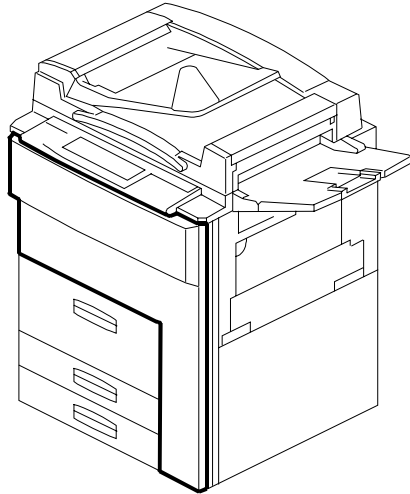
PARTS INDEX	2
--------------------------	----------

A292/A293/B098
PARTS LOCATION AND LIST

This section instructs you as to the numbers and names on parts on this machine.

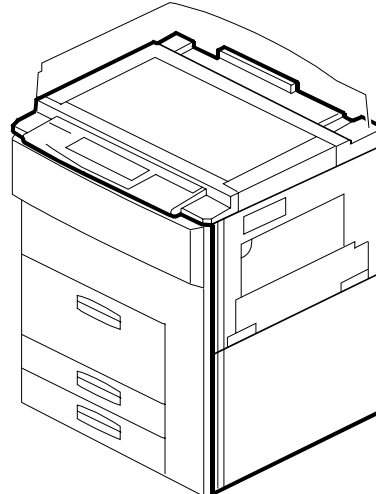
LOCATIONS OF UNITS

1. EXTERIOR 1 (A292/A293/B098)



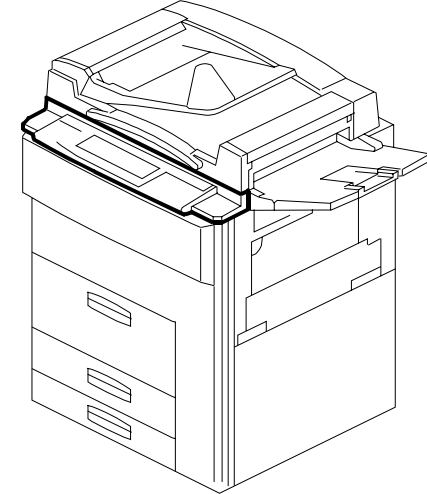
See Page 15

2. EXTERIOR 2 (A292/A293/B098)



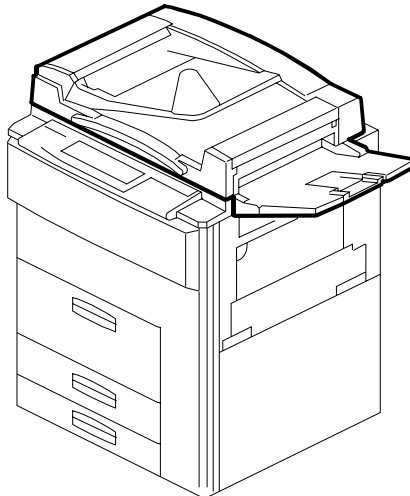
See Page 17

3. OPERATION PANEL (A292/A293/B098)



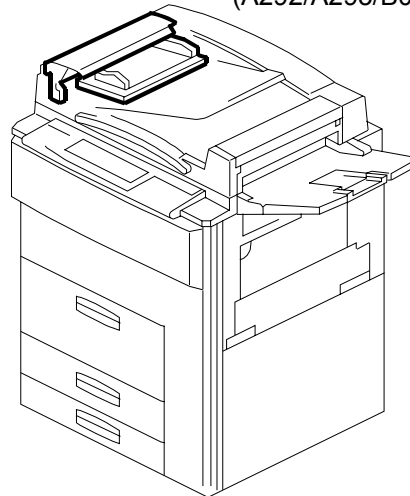
See Page 19

4. ARDF EXTERIOR (A292/A293/B098)



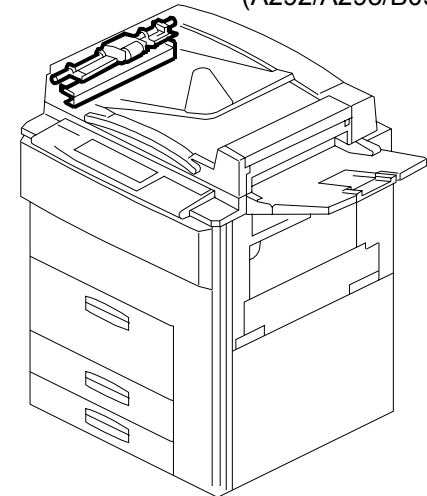
See Page 21

5. ORIGINAL FEED SECTION 1
(A292/A293/B098)



See Page 23

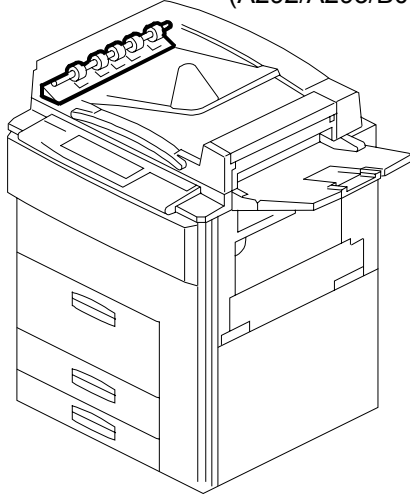
6. ORIGINAL FEED SECTION 2
(A292/A293/B098)



See Page 25

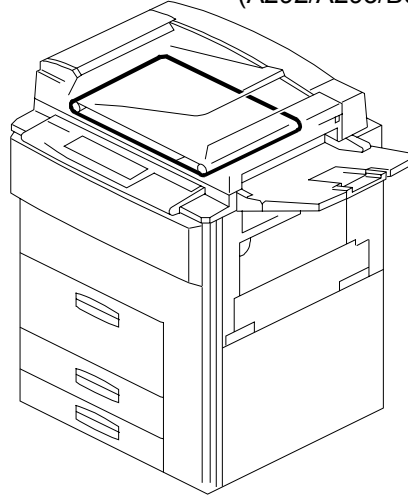
LOCATIONS OF UNITS

7. ORIGINAL FEED SECTION 3
(A292/A293/B098)



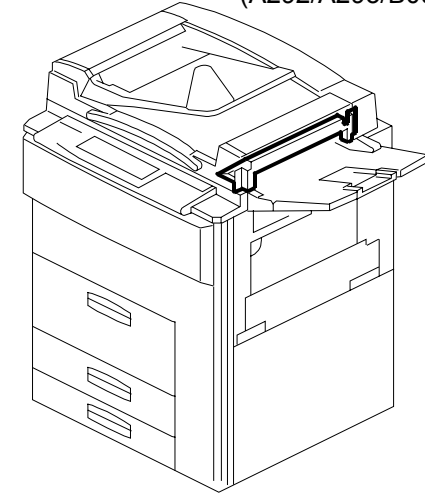
See Page 27

8. ORIGINAL TRANSFER SECTION
(A292/A293/B098)



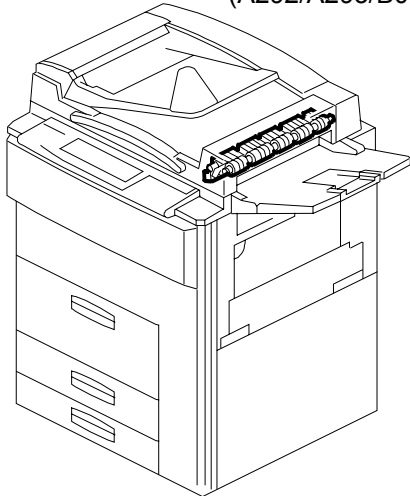
See Page 29

9. ORIGINAL EXIT SECTION 1
(A292/A293/B098)



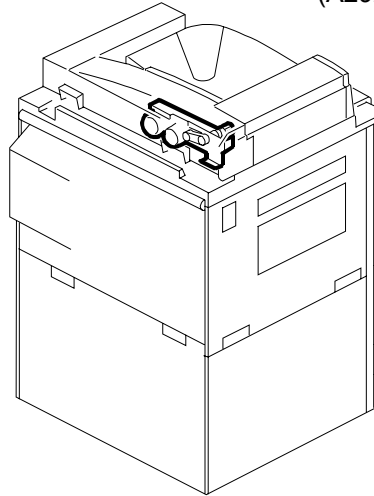
See Page 31

10. ORIGINAL EXIT SECTION 2
(A292/A293/B098)



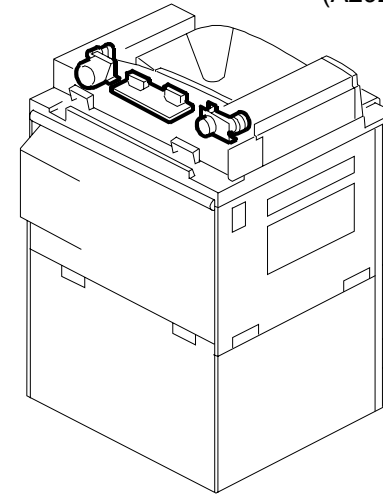
See Page 33

11. ARDF DRIVE & ELECTRICAL 1
(A292/A293/B098)



See Page 35

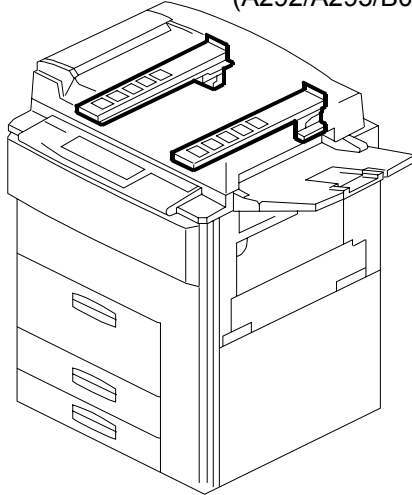
12. ARDF DRIVE & ELECTRICAL 2
(A292/A293/B098)



See Page 37

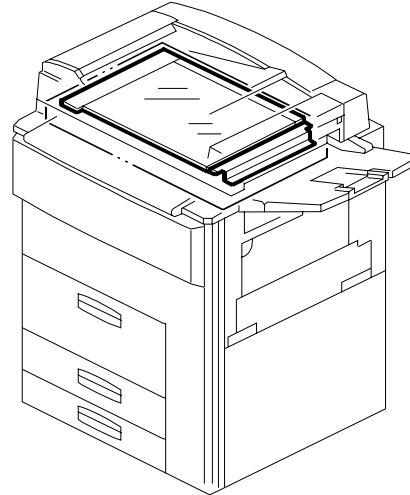
LOCATIONS OF UNITS

13. ARDF FRAME SECTION
(A292/A293/B098)



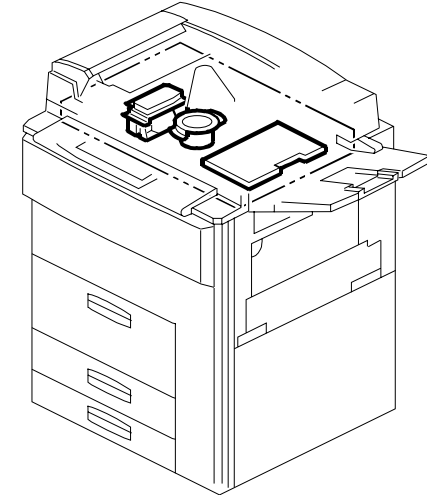
See Page 39

14. OPTICS SECTION 1 (A292/A293/B098)



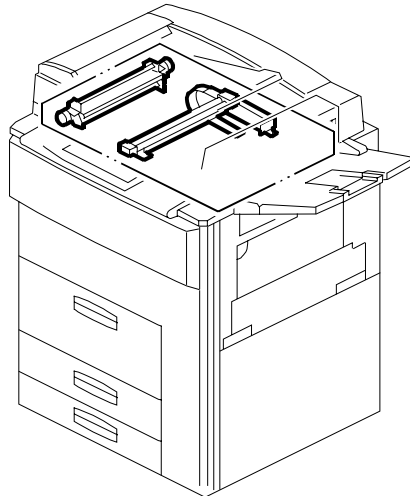
See Page 41

15. OPTICS SECTION 2 (A292/A293/B098)



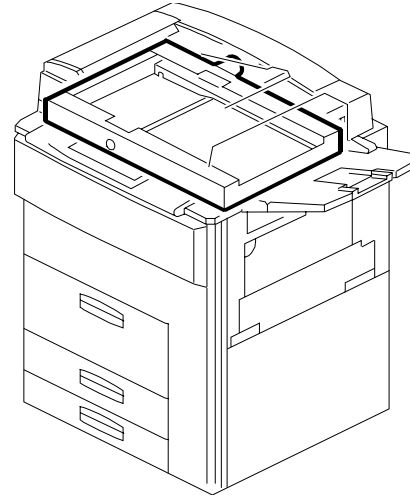
See Page 43

16. OPTICS SECTION 3 (A292/A293/B098)



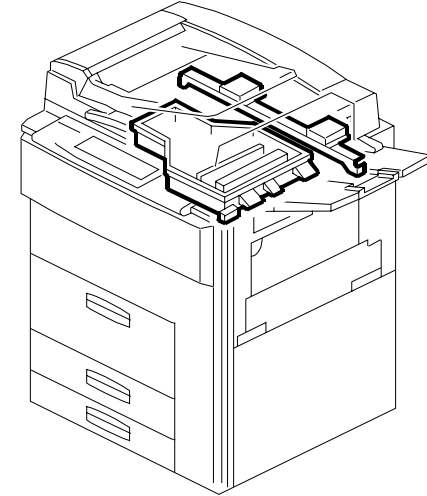
See Page 45

17. OPTICS SECTION 4 (A292/A293/B098)



See Page 47

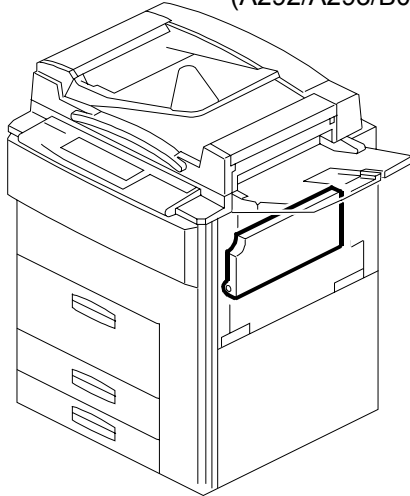
18. LASER UNIT (A292/A293/B098)



See Page 49

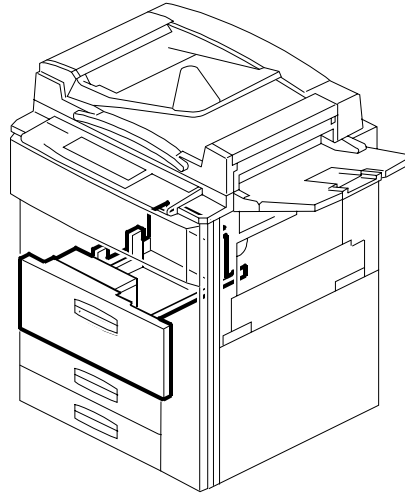
LOCATIONS OF UNITS

19. BY-PASS FEED SECTION
(A292/A293/B098)



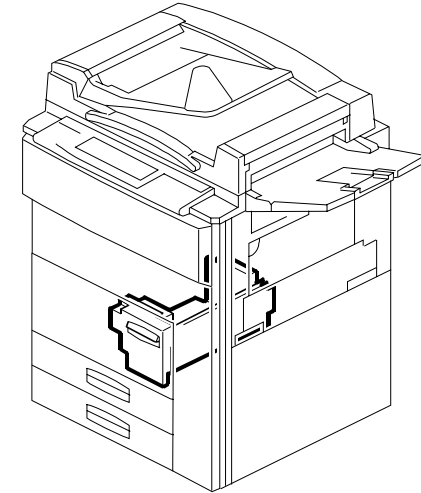
See Page 51

20. TANDEM LCT 1 (A292/A293/B098)



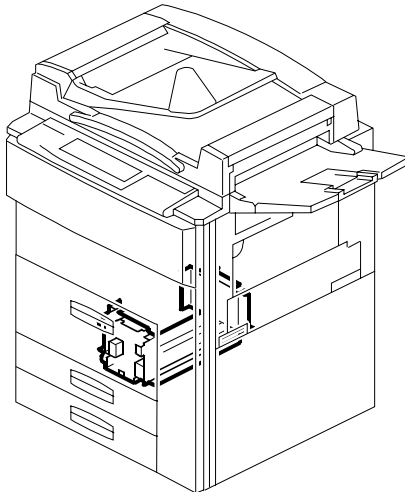
See Page 53

21. TANDEM LCT 2 (A292/A293/B098)



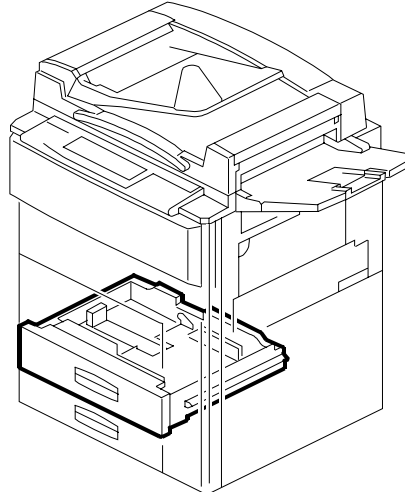
See Page 55

22. TANDEM LCT 3 (A292/A293/B098)



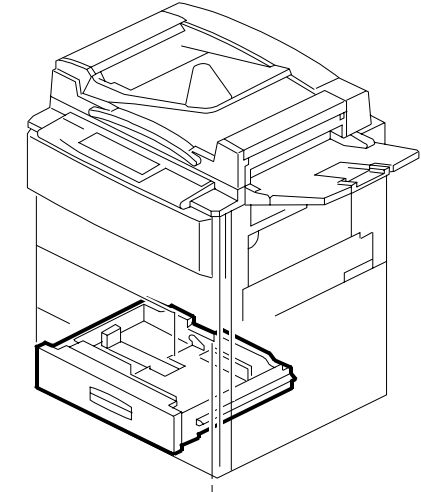
See Page 57

23. UNIVERSAL TRAY (A292/A293/B098)



See Page 59

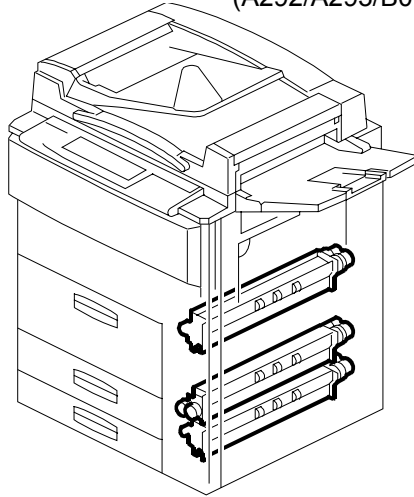
24. PAPER TRAY (A292/A293/B098)



See Page 61

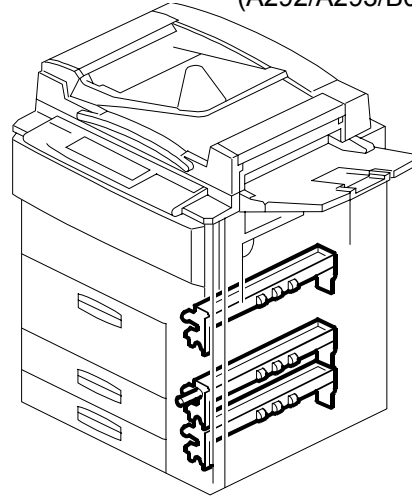
LOCATIONS OF UNITS

25. PAPER FEED SECTION 1
(A292/A293/B098)



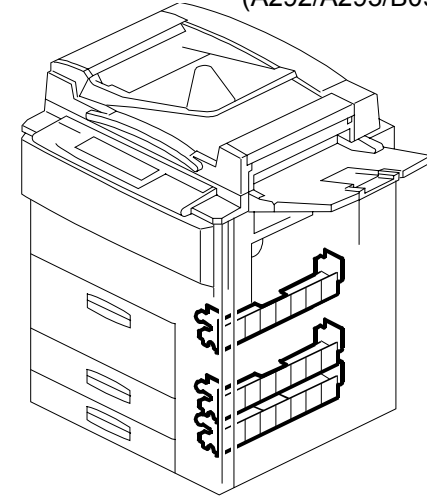
See Page 63

26. PAPER FEED SECTION 2
(A292/A293/B098)



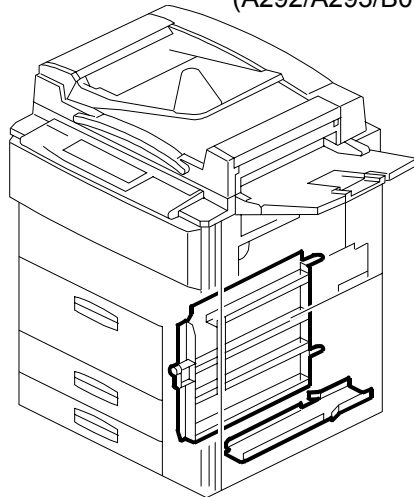
See Page 65

27. PAPER FEED SECTION 3
(A292/A293/B098)



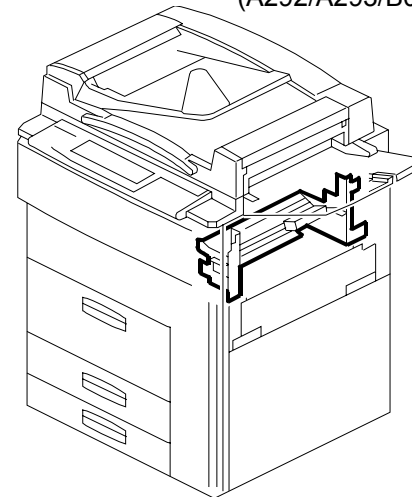
See Page 67

28. VERTICAL TRANSPORT SECTION
(A292/A293/B098)



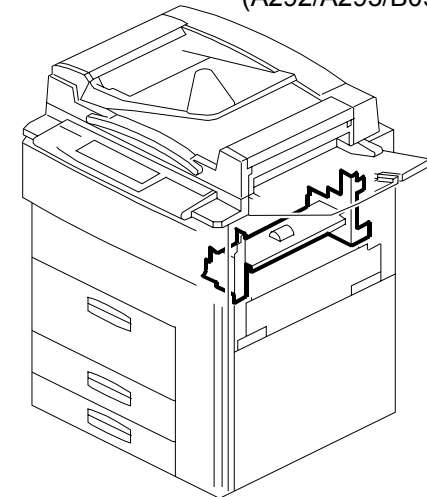
See Page 69

29. PAPER RESISTRATION 1
(A292/A293/B098)



See Page 71

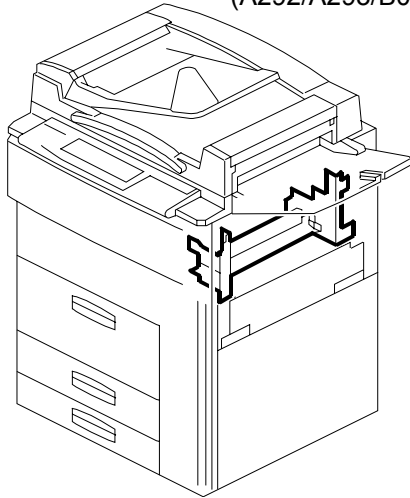
30. PAPER RESISTRATION 2
(A292/A293/B098)



See Page 73

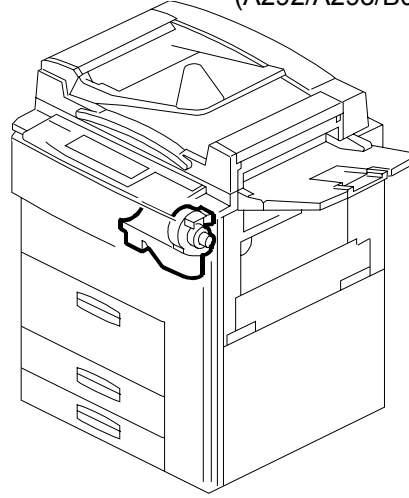
LOCATIONS OF UNITS

31. PAPER RESISTRATION 3
(A292/A293/B098)



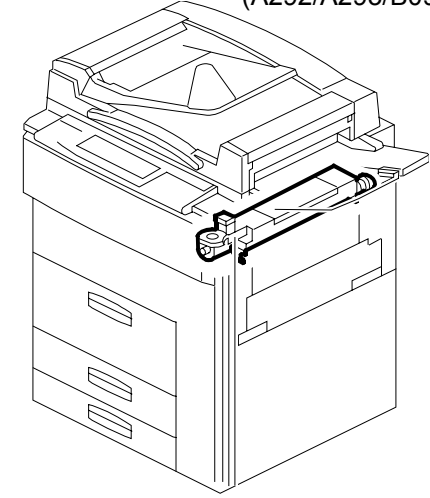
See Page 75

32. TONER BOTTLE HOLDER
(A292/A293/B098)



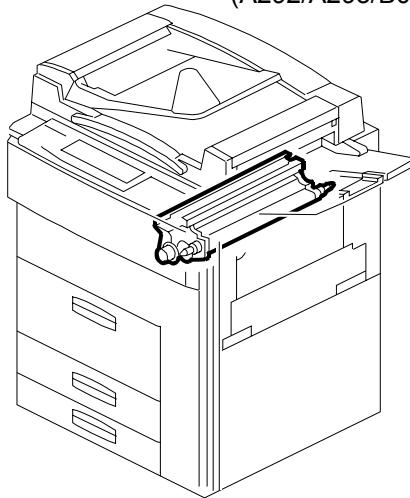
See Page 77

33. TONER HOPPER UNIT
(A292/A293/B098)



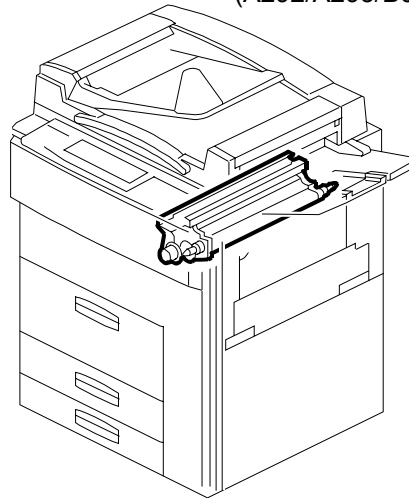
See Page 79

34. DEVELOPMENT UNIT 1
(A292/A293/B098)



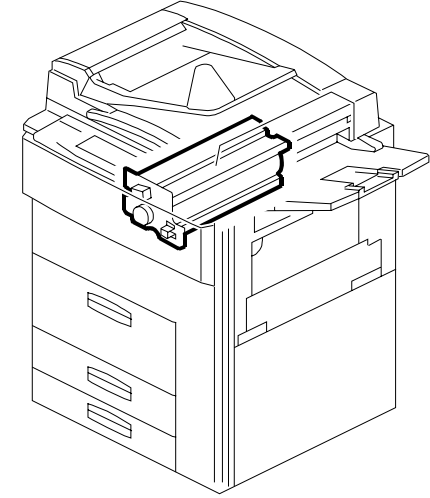
See Page 81

35. DEVELOPMENT UNIT 2
(A292/A293/B098)



See Page 83

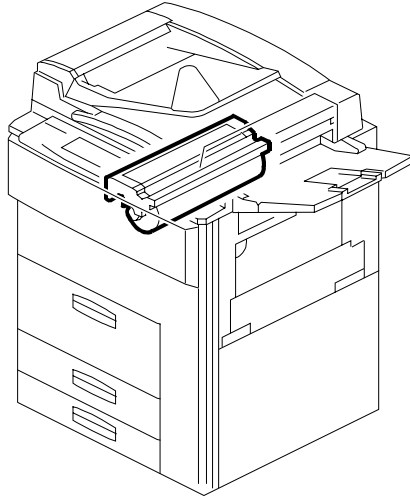
36. PCU 1 (A292/A293/B098)



See Page 85

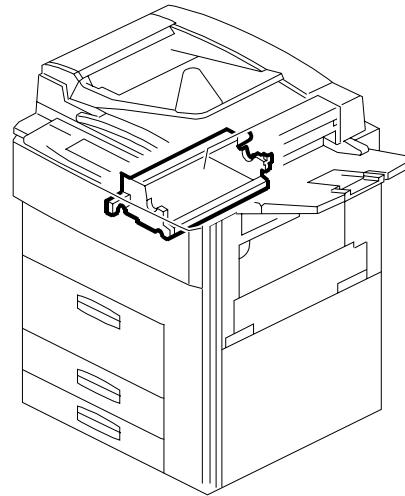
LOCATIONS OF UNITS

37. PCU 2 (A292/A293/B098)



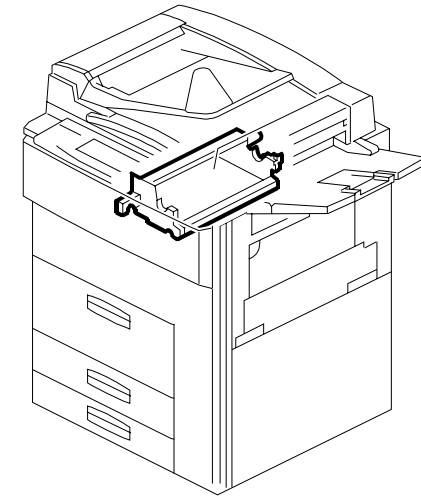
See Page 87

38. PCU 3 (A292/A293/B098)



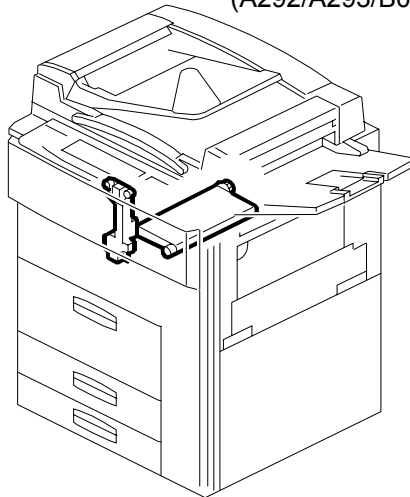
See Page 89

39. PCU 4 (A292/A293/B098)



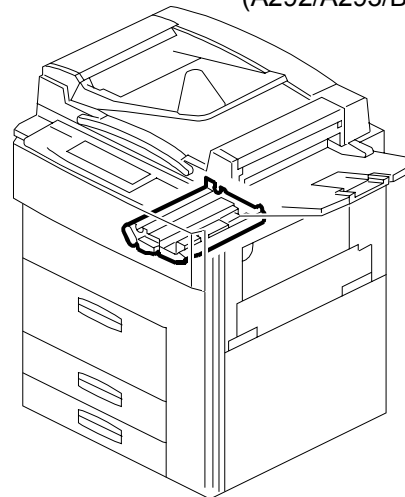
See Page 91

40. TRANSFER SECTION 1
(A292/A293/B098)



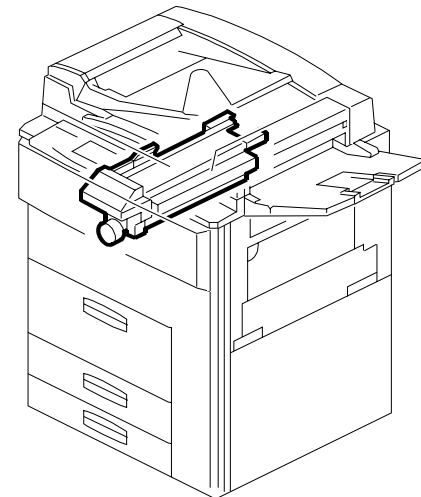
See Page 93

41. TRANSFER SECTION 2
(A292/A293/B098)



See Page 95

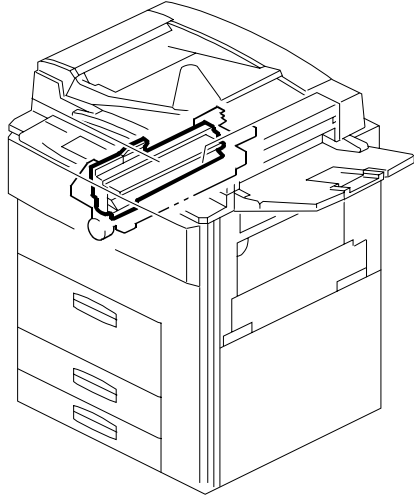
42. FUSING UNIT 1 (A292/A293/B098)



See Page 97

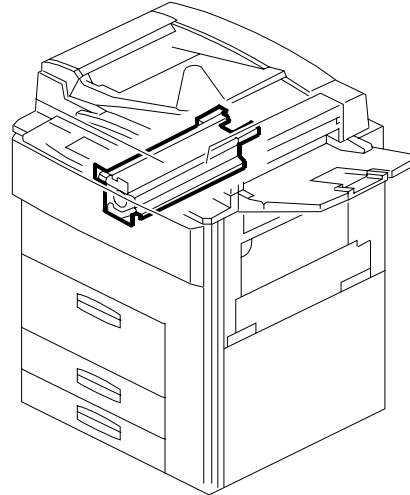
LOCATIONS OF UNITS

43. FUSING UNIT 2 (A292/A293/B098)



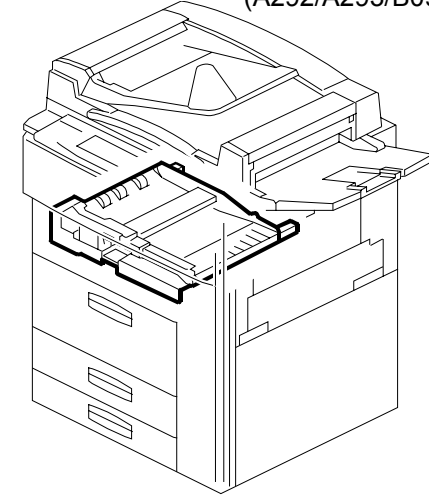
See Page 99

44. FUSING UNIT 3 (A292/A293/B098)



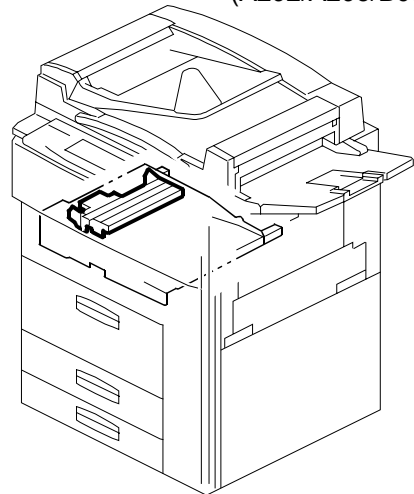
See Page 101

45. INVERTOR & DUPLEX UNIT 1
(A292/A293/B098)



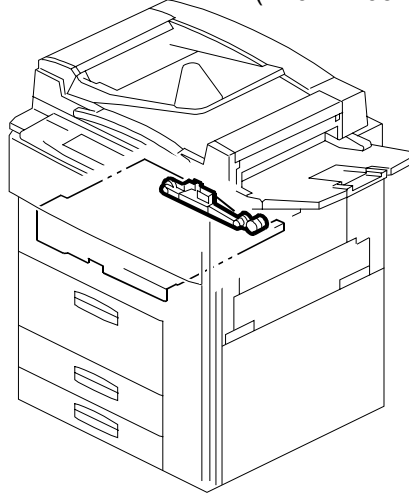
See Page 103

46. INVERTOR & DUPLEX UNIT 2
(A292/A293/B098)



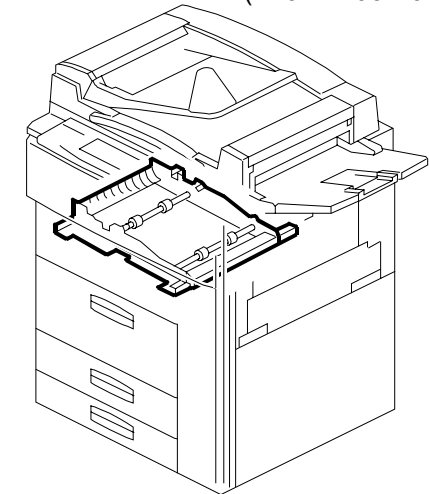
See Page 105

47. INVERTOR & DUPLEX UNIT 3
(A292/A293/B098)



See Page 107

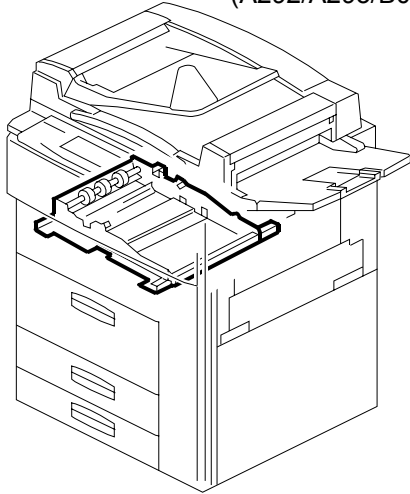
48. INVERTOR & DUPLEX UNIT 4
(A292/A293/B098)



See Page 109

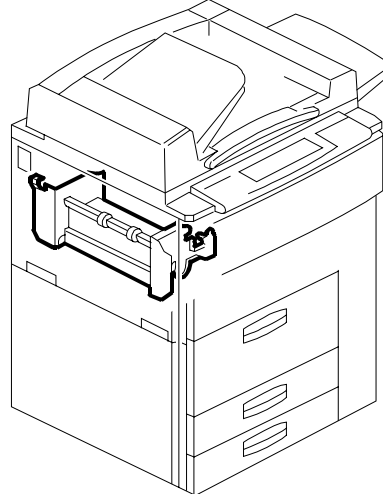
LOCATIONS OF UNITS

49. INVERTOR & DUPLEX UNIT 5
(A292/A293/B098)



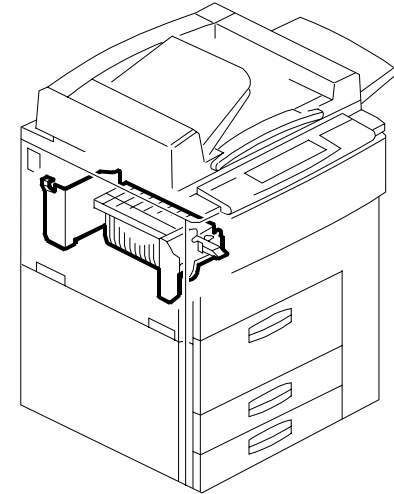
See Page 111

50. PAPER EXIT 1 (A292/A293/B098)



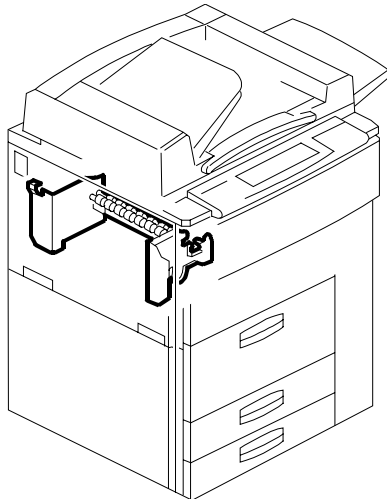
See Page 113

51. PAPER EXIT 2 (A292/A293/B098)



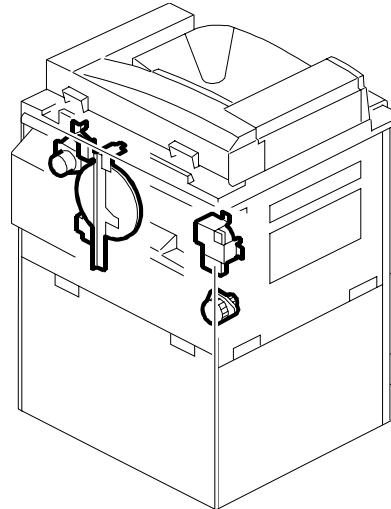
See Page 115

52. PAPER EXIT 3 (A292/A293/B098)



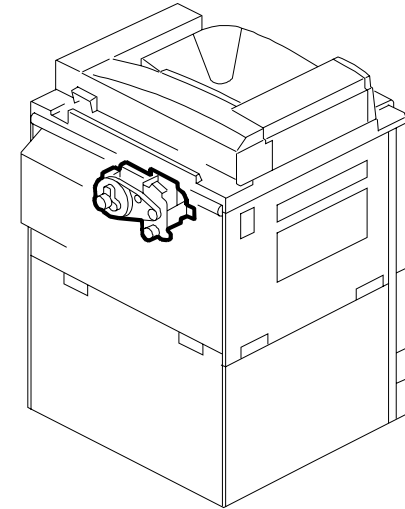
See Page 117

53. DRIVE SECTION 1 (A292/A293/B098)



See Page 119

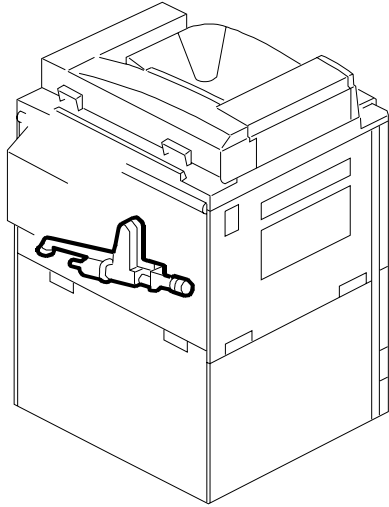
54. DRIVE SECTION 2 (A292/A293/B098)



See Page 121

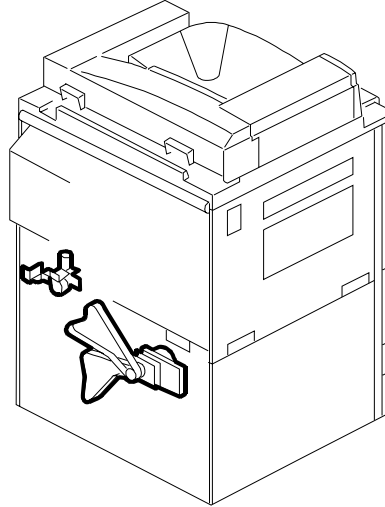
LOCATIONS OF UNITS

55. DRIVE SECTION 3 (A292/A293/B098)



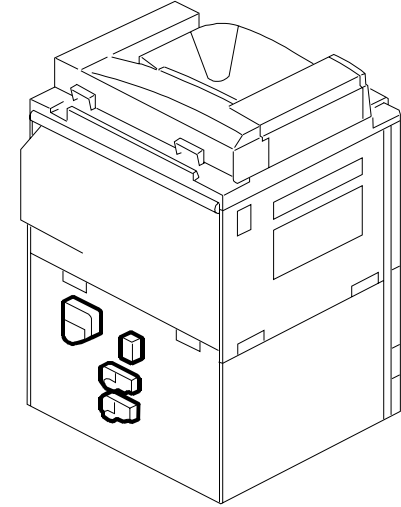
See Page 123

56. DRIVE SECTION 4 (A292/A293/B098)



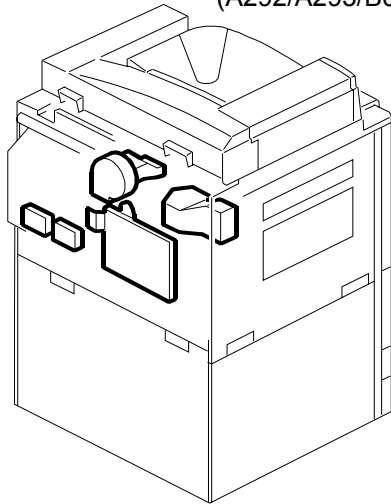
See Page 125

57. DRIVE SECTION 5 (A292/A293/B098)



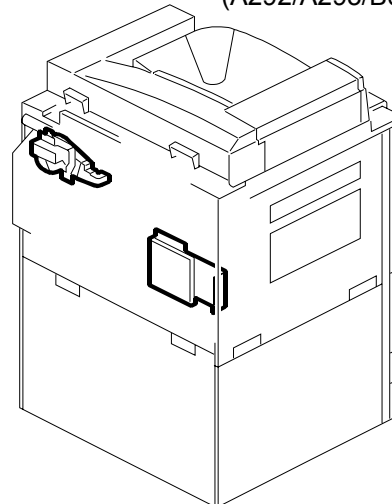
See Page 127

58. ELECTRICAL SECTION 1
(A292/A293/B098)



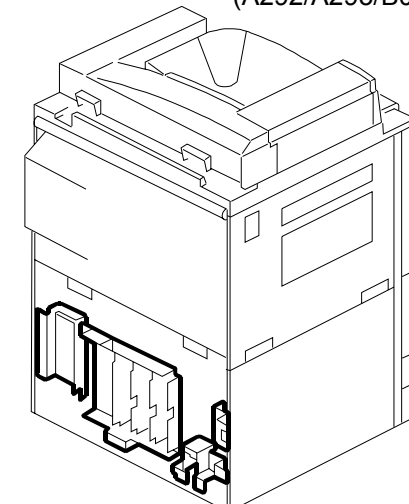
See Page 129

59. ELECTRICAL SECTION 2
(A292/A293/B098)



See Page 131

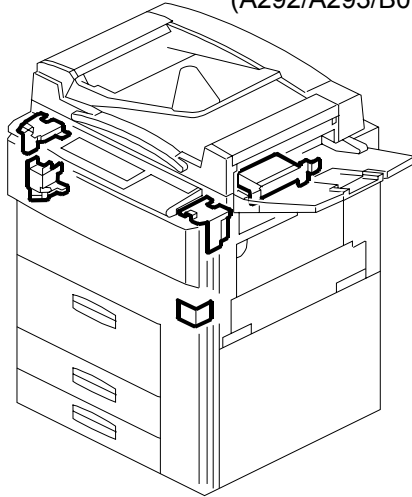
60. ELECTRICAL SECTION 3
(A292/A293/B098)



See Page 133

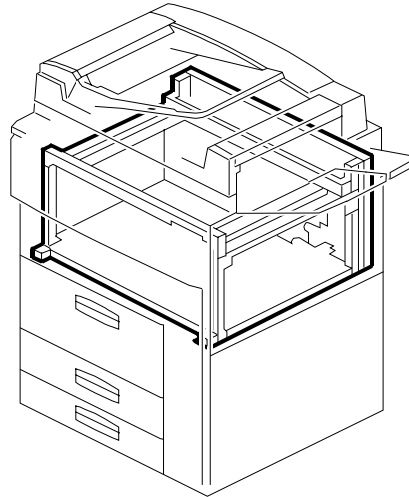
LOCATIONS OF UNITS

61. ELECTRICAL SECTION 4
(A292/A293/B098)



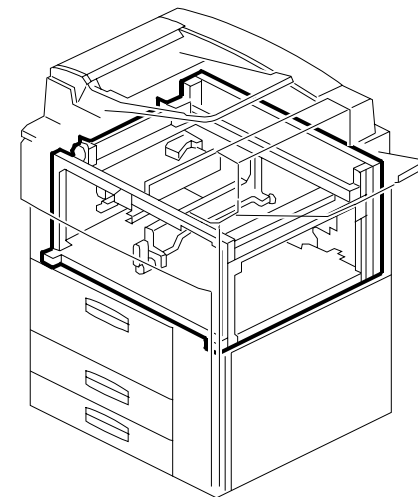
See Page 135

62. FRAME SECTION 1 (A292/A293/B098)



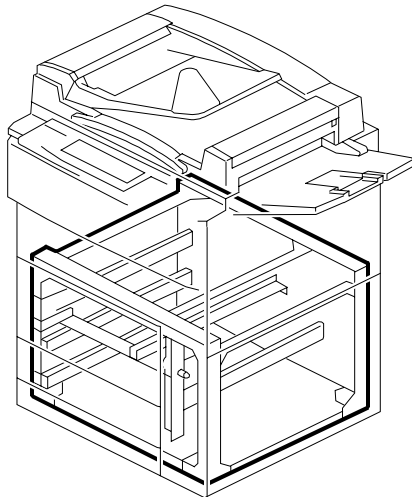
See Page 137

63. FRAME SECTION 2 (A292/A293/B098)



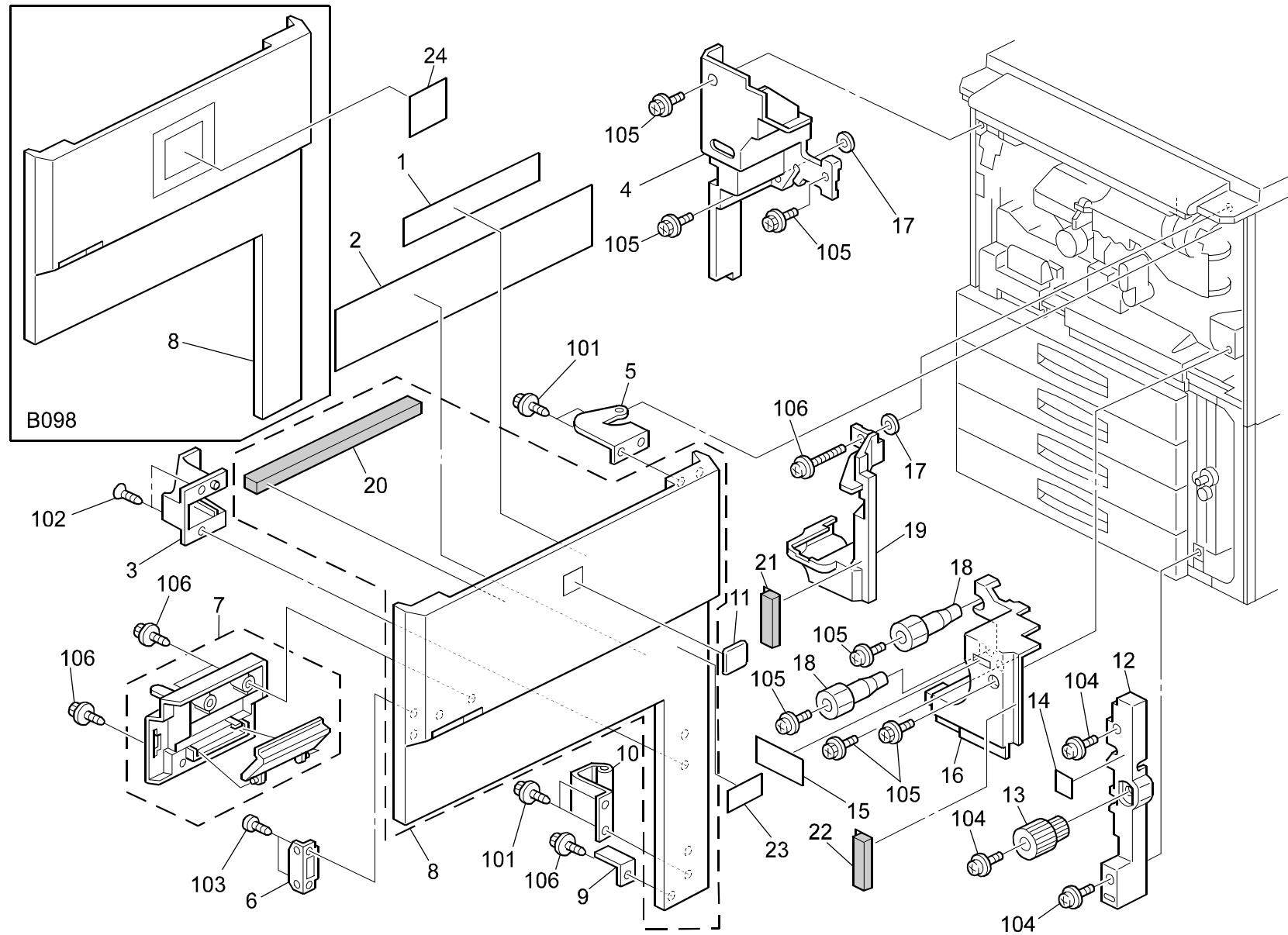
See Page 139

64. FRAME SECTION 3 (A292/A293/B098)



See Page 141

1.EXTERIOR 1 (A292/A293/B098)

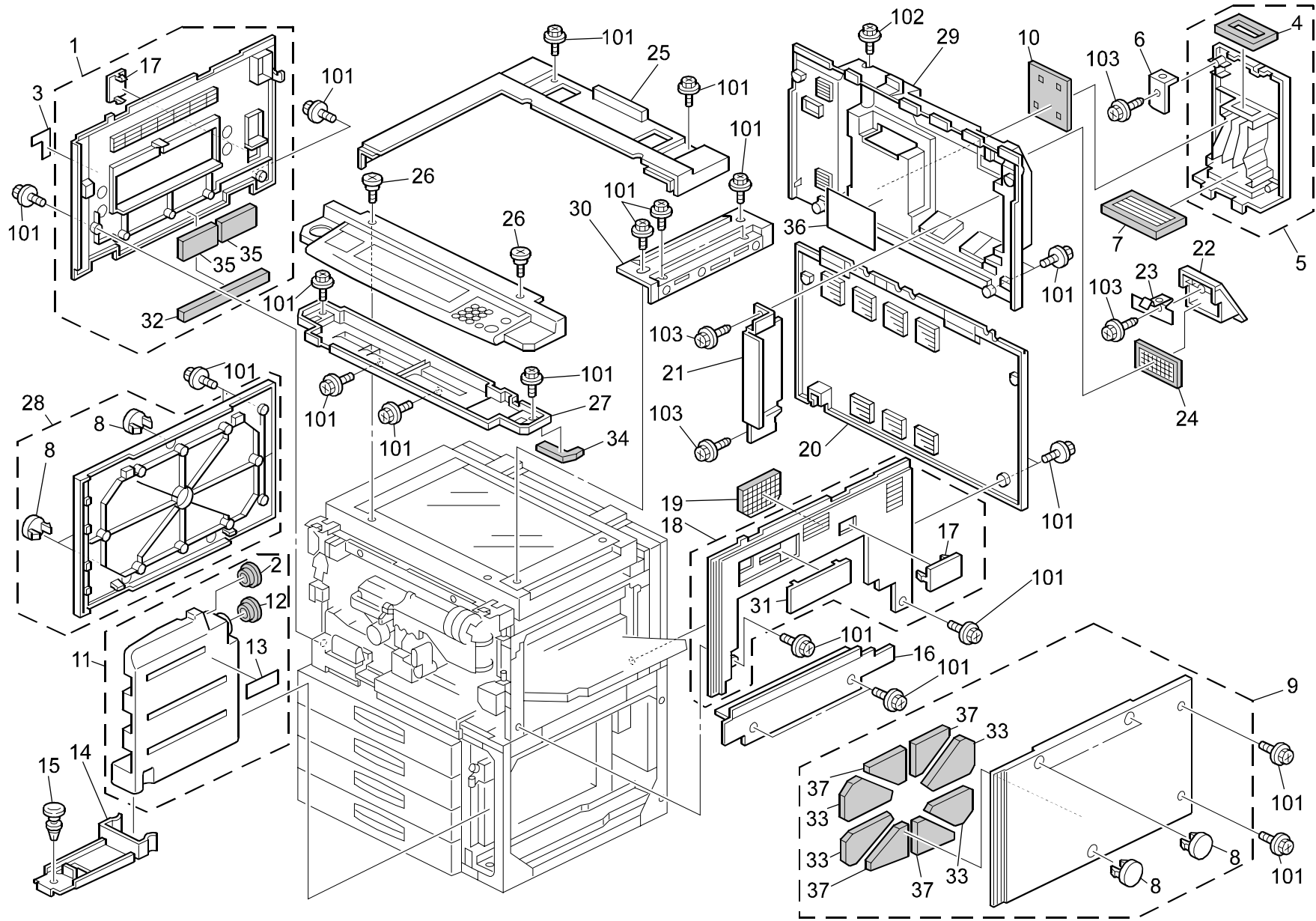


1.EXTERIOR 1 (A292/A293/B098)

Index No.	Part No.	Description	Q'ty Per Assembly
1	A293 1349	Decal - Toner Supply (A292/A293)	1
1	B098 1349	Decal: Toner Supply (B098)	1
2	A293 1350	Decal - Misfeed Removal (A292/A293)	1
2	B098 1350	Decal: Misfeed Removal: Main (B098)	1
3	A229 1275	Guide Plate Lever	1
4	A229 1321	Safty Switch Inner Cover (A292/A293)	1
4	B098 1324	Inner Cover: Main Switch (B098)	1
5	A229 1342	Upper Hinge (A292/A293)	1
5	B098 1342	Hinge: Upper (B098)	1
6	AG07 0004	Magnetic Catch	1
7	A229 1257	Door Grip Ass'y (A292/A293)	1
7	B098 1257	Grip: Door:Ass'y (B098)	1
8	A292 1273	Front Door (A292 RIC)	1
8	A292 1278	Front Door (A292 INF)	1
8	A293 1273	Front Door (A293 RIC)	1
8	A293 1276	Front Door (A292/A293 NRG)	1
8	A293 1278	Front Door (A293 INF)	1
8	A293 1312	Front Door (A292/A293 SVN/LAN)	1
8	B098 1273	Door: Exp:Sub-ass'y (B098)	1
9	A229 1355	Micro Switch Lever	1
10	A229 1259	Lower Hinge (A292/A293)	1
10	B098 1259	Hinge:Right Lower:Ass'y (B098)	1
11	A134 1383	Emblem (RIC)(A292/A293)	1
11	A229 7016	Support Cover (INF)(A292/A293)	1
12	A096 6184	Bank Inner Cover	1
13	AG05 0067	Knob - Transport Roller (A292/A293)	1
13	AG05 0093	Knob: Misfeed Removal (B098)	1
14	AA00 0540	Decal - Misfeed Removal (A292/A293)	1
14	AA00 3204	Decal: Misfeed Removal (B098)	1
15	A232 1381	Decal - Total Counter (A292/A293)	1
15	A294 1378	Decal - Total Counter (B098)	1
16	A229 1320	Right Lower Inner Cover (A292/A293)	1
16	B098 1323	Inner Cover: Right Lower (B098)	1
17	AA10 0006	Nut - M3.6	2
18	A060 2512	Registration Roller Knob	2

Index No.	Part No.	Description	Q'ty Per Assembly
19	A229 3291	Right Inner Cover	1
20	AA15 3127	Seal - 485mm	1
21	A293 1171	Seal - 224mm	1
22	A293 1172	Seal - 153mm	1
23	A229 7015	Model Name Plate -170x60 (A292/A293 NRG)	1
23	A292 7010	Model Name Plate - SVN 2055DP (A292)	1
23	A292 7012	Model Name Plate - GES 3355 (A292)	1
23	A292 7014	Model Name Plate - NSA D555 (A292)	1
23	A292 7016	Model Name Plate - REX 2955 (A292)	1
23	A292 7018	Model Name Plate - LAN 5455 (A292)	1
23	A293 7010	Model Name Plate - SVN 2070DP (A293)	1
23	A293 7012	Model Name Plate - GES 3370 (A293)	1
23	A293 7014	Model Name Plate - NSA D555 (A293)	1
23	A293 7016	Model Name Plate - REX 2955 (A293)	1
23	A293 7018	Model Name Plate - LAN 5470 (A293)	1
24	B098 7010	Model Name Plate:RIC:EXP (B098)	1
24	B098 7011	Model Name Plate:NAS (B098)	1
24	B098 7012	Model Name Plate:REX (B098)	1
24	B098 7013	Model Name Plate:GES (B098)	1
24	B098 7014	Model Name Plate:INF (B098)	1
24	B098 7015	Model Name Plate:LAN (B098)	1
101	0450 4008B	Tapping Screw - 4x8	
102	0802 5124	Tapping Screw - M3x8	
103	0434 0082W	Tapping Screw - M4x8	
104	0951 4006B	Philips Screw With Washer - M4x6	
105	0451 4008B	Philips Tapping Screw - M4x8	
106	0450 3008B	Tapping Screw - M3x8	

2.EXTERIOR 2 (A292/A293/B098)

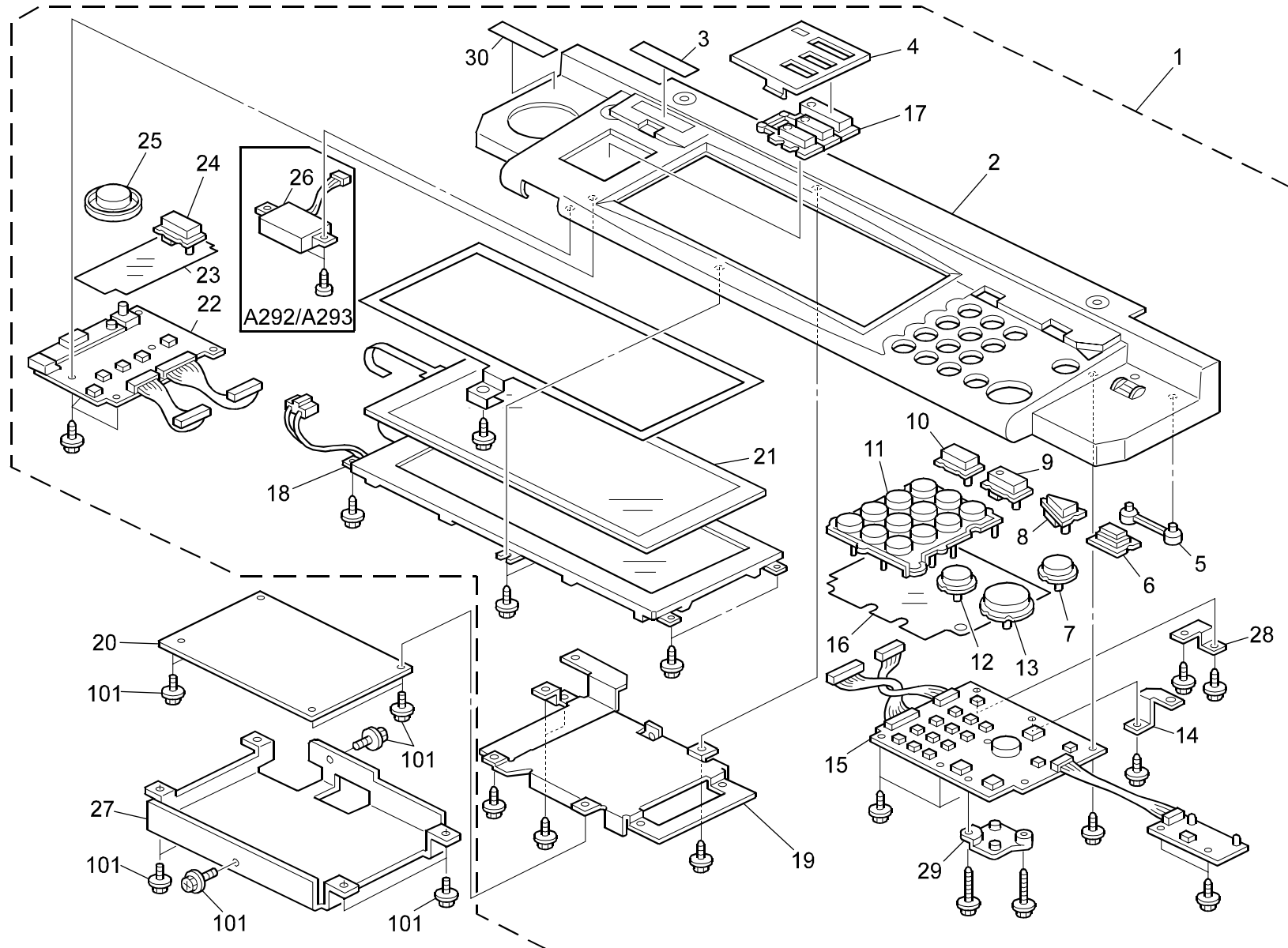


2.EXTERIOR 2 (A292/A293/B098)

Index No.	Part No.	Description	Q'ty Per Assembly
1	A293 1265	Upper Left Cover (A292/A293)	1
1	B098 1265	Cover:Left Upper:Ass'y (B098)	1
2	AA15 2315	Tank Seal	1
3	A229 1360	Decal - Main Switch (120V A292/A293)	1
3	A229 1361	Decal - Main Switch (230V A292/A293)	1
3	B098 1360	Decal:Main Switch:NA (120V B098)	1
3	B098 1362	Decal:Main Switch:EU (230V B098)	1
4	AA15 2696	Duct Seal	1
5	A293 1285	Duct (A292/A293)	1
5	B098 1285	Duct:Cover:Exhaust:Adhesion (B098)	1
6	A293 1332	Duct Holder	1
7	AA01 0108	Ozone Filter (A292/A293)	1
7	AA01 0116	Ozone Filter:Rear (B098)	1
8	A247 1318	Cap - 17 (A292/A293)	6
8	B098 1318	Cap:ÏÜ17 (B098)	1
9	A293 1269	Lower Right Cover (A292/A293)	1
9	B098 1269	Cover:Right Lower:Ass'y (B098)	1
10	AA15 2697	Shield - Duct Cover	1
11	AA03 2041	Tonner Collection Bottle	1
12	A007 3751	Large Cap - Toner Collection Tank	1
13	AA00 0059	Caution Decal - English	1
14	A096 3711	Collection Tank Holder	1
15	A096 3712	Ratch	1
16	A229 1304	Large Capacity Tray Cover (A292/A293)	1
16	B098 1304	Cover:Large Capacity Tray (B098)	1
17	A229 1332	Coupling Cap (A292/A293)	2
17	B065 1342	Coupling Cap (B098)	2
18	A229 1260	Upper Right Cover (A292/A293)	1
18	B098 1260	Cover:Right Upper:Ass'y (B098)	1
19	A229 1262	Optics Dust Filter (A292/A293)	1
19	B098 1262	Filter:Ass'y (B098)	1
20	A229 1309	Rear Lower Cover (A292/A293)	1
20	B098 1309	Cover:Rear Lower (B098)	1
21	A293 1359	Printer Controller Cover (A292/A293)	1
21	B098 1359	Shadeing Plate:Control Unit (B098)	1

Index No.	Part No.	Description	Q'ty Per Assembly
22	A293 1335	Louver (A292/A293)	1
22	B098 1335	Louver:Filter (B098)	1
23	A293 1336	Spring Plate - Louver	1
24	A293 1098	Vacuum Filter	1
25	A293 1310	Upper Cover (A292/A293)	1
25	B098 1310	Cover:Upper (B098)	1
26	AA14 3416	Stepped Screw - M4x3	2
27	A293 1327	Operation Panel Upper Cover (A292/A293)	1
27	B098 1327	Inner Cover:Operation Sub-unit (B098)	1
28	A293 1270	Lower Left Cover (A292/A293)	1
28	B098 1270	Cover:Left Lower:Ass'y (B098)	1
29	A293 1306	Rear Cover (A292/A293)	1
29	B098 1306	Cover:Rear Upper (B098)	1
30	A229 1311	Upper Right Cover (A292/A293)	1
30	B098 1311	Cover:Upper:Right (B098)	1
31	A229 1331	Key Counter Cap (A292/A293)	1
31	B070 1331	Cap:Key Counter:C2 (B098)	1
32	AA15 3121	Sponge 1 - Upper Left Cover	1
33	AA15 3120	Sponge 2 - Lower Right Cover	4
34	AA15 3128	Upper Cover Seal	1
35	AA15 3124	Sponge 4 - Upper Left Cover	2
36	A293 1334	Insulating Mayler (A292/A293)	1
36	B098 1334	Insulating Sheet:Harness:IOB (B098)	1
37	AA15 3119	Sponge 1 - Lower Right Cover	4
101	0451 4008H	Tapping Screw - 4x8	
102	0451 3012H	Tapping Screw - 3x12	
103	0450 3008B	Tapping Screw - M3x8	

3. OPERATION PANEL (A292/A293/B098)

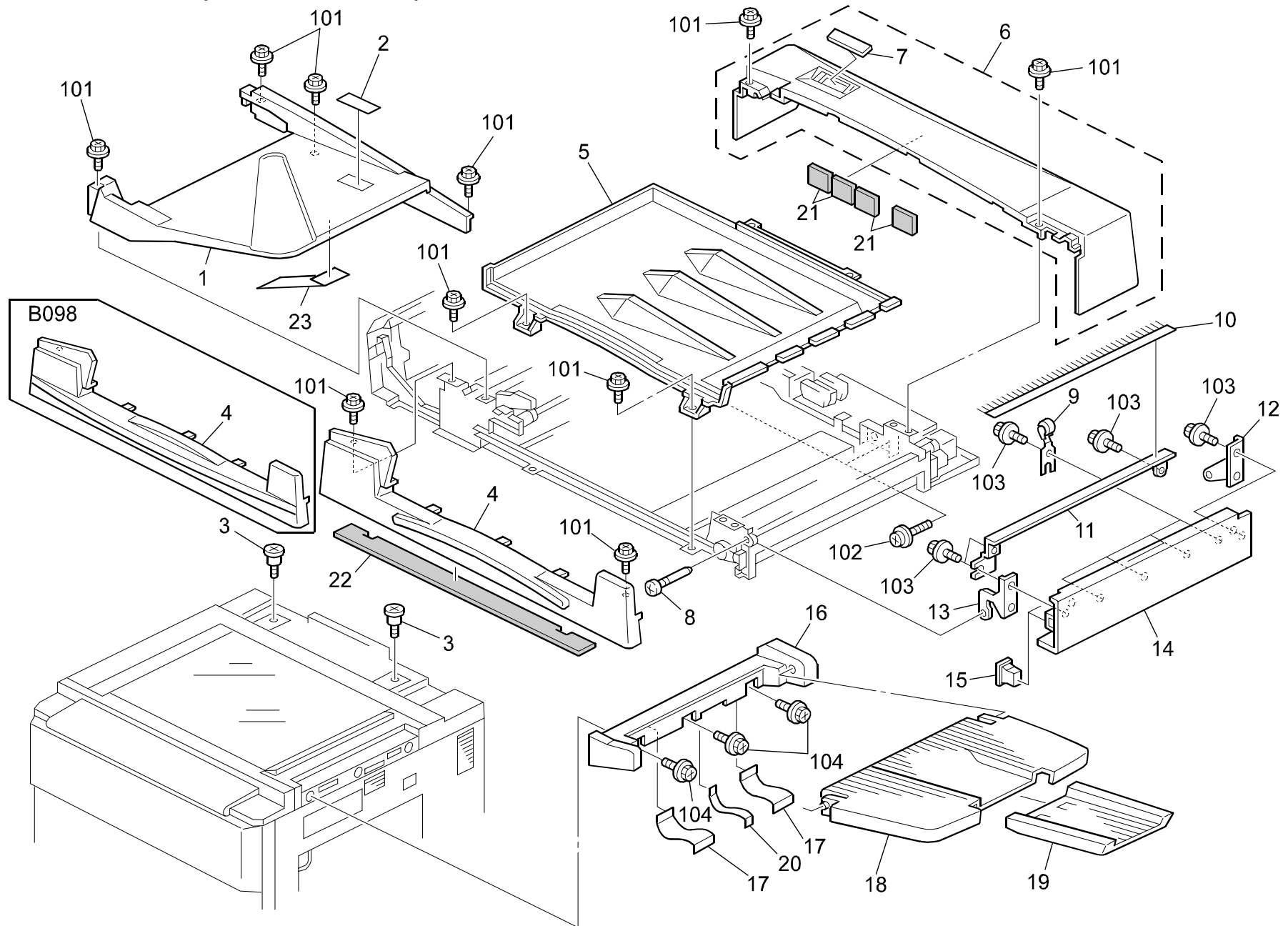


3.OPERATION PANEL (A292/A293/B098)

Index No.	Part No.	Description	Q'ty Per Assembly
1	A293 1412	Operation Panel Ass'y - LT (A292/A293)	1
1	A293 1414	Operation Panel Ass'y - A4 (A292/A293)	1
1	B098 1412	Operation Panel:C2:NA:Ass'y (B098)	1
1	B098 1414	Operation Panel:C2:EU:Ass'y (B098)	1
2	A293 1441	Operation Panel Case - LT (A292/A293)	1
2	A293 1442	Operation Panel Case - A4 (A292/A293)	1
2	B098 1441	Case:Operation Panel:NA (B098)	1
2	B098 1442	Case:Operation Panel:EU (B098)	1
3	A229 1466	Guidance Sheet (A292/A293)	1
3	B098 1466	Sheet:Guidance (B098)	1
4	A293 1461	Application Cap (A292/A293)	1
4	B098 1461	Cap:Application:Moj (B098)	1
5	A229 1465	LED Guide	1
6	A229 1459	Keytop - Power Source	1
7	A229 1457	Keytop - Check (A292/A293)	1
7	B098 1457	Keytop:Check (B098)	1
8	A229 1456	Keytop - Interrupt (A292/A293)	1
8	B098 1456	Keytop:Interrupt (B098)	1
9	A229 1475	Key-top - Standby (A292/A293)	1
9	B098 1475	Keytop:Preheat:Exp (B098)	1
10	A229 1455	Keytop - Program (A292/A293)	1
10	B098 1455	Keytop:Block Diagram (B098)	1
11	A229 1451	Keytop - 10key (A292/A293)	1
11	B098 1451	Keytop:10key (B098)	1
12	A229 1453	Keytop - Clear/Stop (A292/A293)	1
12	B098 1453	Keytop:Clear/Stop (B098)	1
13	A229 1452	Keytop - Start (A292/A293)	1
13	B098 1452	Keytop:Start (B098)	1
14	A229 1464	Ground Plate - 10key	1
15	A293 1462	10key Board	1
16	A229 1468	10key Sheet	1
17	A293 1477	Keytop - Copy - LT (A292/A293)	1
17	A293 1478	Keytop - Copy - A4 (A292/A293)	1
17	B098 1477	Keytop:Copy:Moj:NA (B098)	1
17	B098 1478	Keytop:Copy:Moj:EU (B098)	1

Index No.	Part No.	Description	Q'ty Per Assembly
18	A293 5215	LCD HVGA U95	1
19	A293 1431	Bracket - LCDC	1
20	A293 5200	LCDC Board (A292/A293)	1
20	B098 5200	PCB:LCDC (B098)	1
21	A229 1425	Touch Panel Ass'y	1
22	A293 1463	Application Board	1
23	A229 1467	Application Sheet	1
24	A229 1458	Keytop - Tool (A292/A293)	1
24	B098 1458	Keytop:Tool (B098)	1
25	A229 1460	Dial - Contrast	1
26	AW01 0079	Optics Sensor (A292/A293)	1
27	A229 1433	LCDC Cover	1
28	A293 1468	LCD Ground Plate	1
29	A229 1472	Support Plate - Operation Panel	1
30	A153 6409	Decal - Keytop Cover (GES)(A292/A293)	1
30	C225 2866	Decal - Keytop Cover (REX)(A292/A293)	1
30	C225 2867	Decal - Keytop Cover (NSA)(A292/A293)	1
101	0451 3006B	Tapping Screw - M3x6	

4.ARDF EXTERIOR (A292/A293/B098)

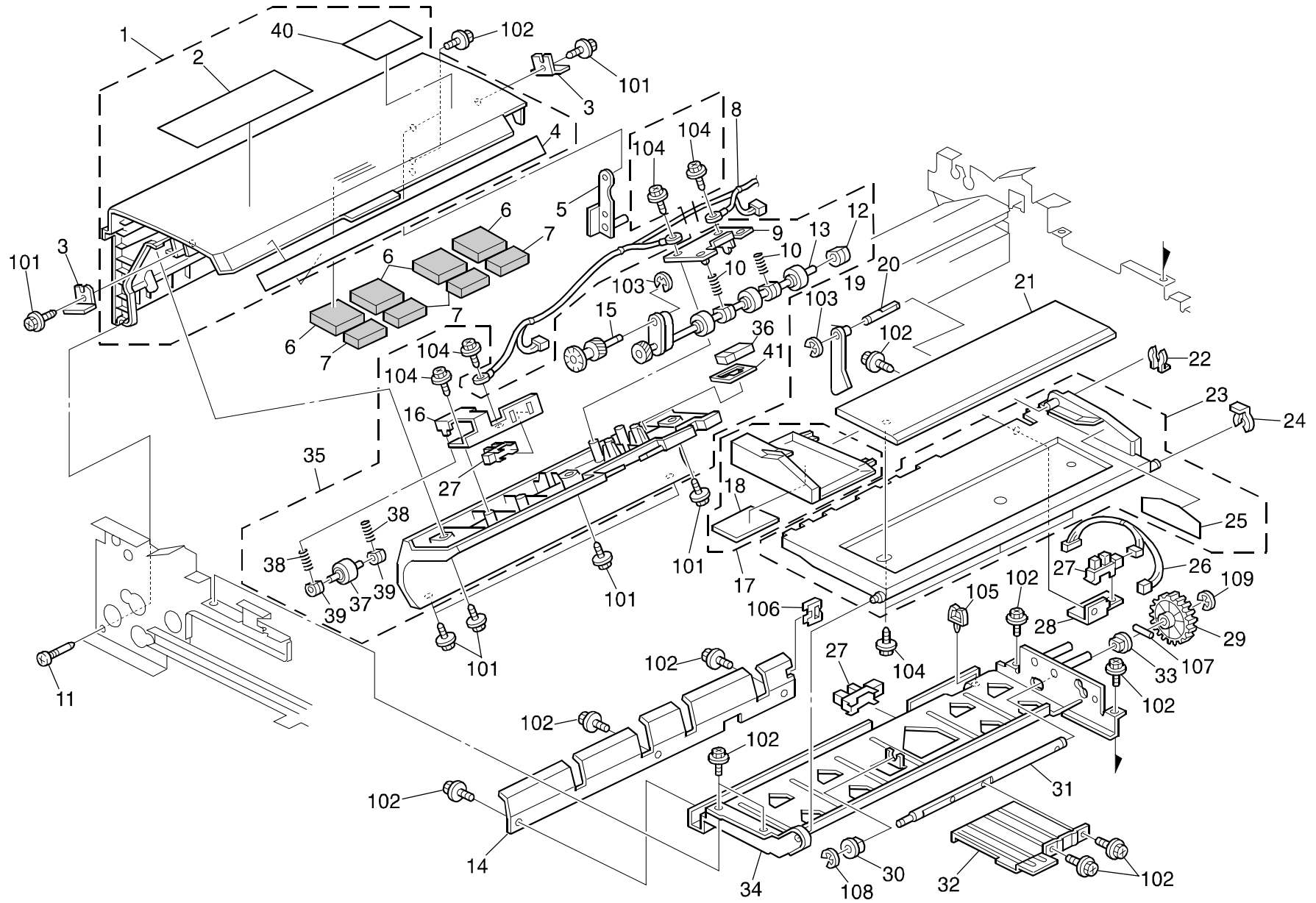


4.ARDF EXTERIOR (A292/A293/B098)

Index No.	Part No.	Description	Q'ty Per Assembly
*	A294 7005	ARDF Ass'y (A292/A293)	1
*	B070 7000	ARDF:Ass'y (B098)	1
1	A806 1821	Original Table (A292/A293)	1
1	B301 1826	Original Table:Printing (B098)	1
2	A610 6051	Decal - Document Set (A292/A293)	1
2	B477 4431	Decal - Original Table (B098)	1
3	A859 7211	Stepped Screw	2
4	A806 1712	Front Cover (A292/A293)	1
4	B301 1716	Cover:Front (B098)	1
5	A806 1792	Original Table Cover (A292/A293)	1
5	B301 1796	Cover:Original Table:Lower (B098)	1
6	B301 1721	Rear Cover (A292/A293)	1
6	B301 1726	Cover:Rear:Ass'y (B098)	1
7	A806 4341	Display Panel	1
8	5446 2824	Screw - Duplex Guide Plate	2
9	A548 1241	Driven Roller Ass'y	4
10	AA12 0032	Antistatic Brush	2
11	A806 3266	Discharge Brush Bracket	1
12	A806 3261	Inner Back Cover Bracket	1
13	A806 3251	Exit Cover Bracket	1
14	A806 1781	Exit Cover (A292/A293)	1
14	B301 1786	Cover:Exit (B098)	1
15	G012 1531	Magnet	2
16	A229 1393	Exit Tray Holder (A292/A293)	1
16	B098 1393	Tray:Exit:Machine Or Copier (B098)	1
17	A229 1395	Mylar - Large	2
18	A229 1394	Exit Tray (A292/A293)	1
18	B098 1394	Tray:Exit (B098)	1
19	A666 2421	Sub - Shift Tray (A292/A293)	1
19	B098 2421	Tray:Slide (B098)	1
20	A229 1396	Mylar - Small	1
21	B301 4425	Noise Reduction Pad	4
22	B301 4411	Noise Reduction Pad	1
23	B301 1835	Original Holder	1

Index No.	Part No.	Description	Q'ty Per Assembly
101	0451 3008B	Tapping Screw - M3x8	
102	0951 5010B	Philips Screw With Washer - M5x10	
103	0450 4012B	Tapping Screw - M4x12	
104	0451 4008H	Tapping Screw - 4x8	

5.ORIGINAL FEED SECTION 1 (A292/A293/B098)

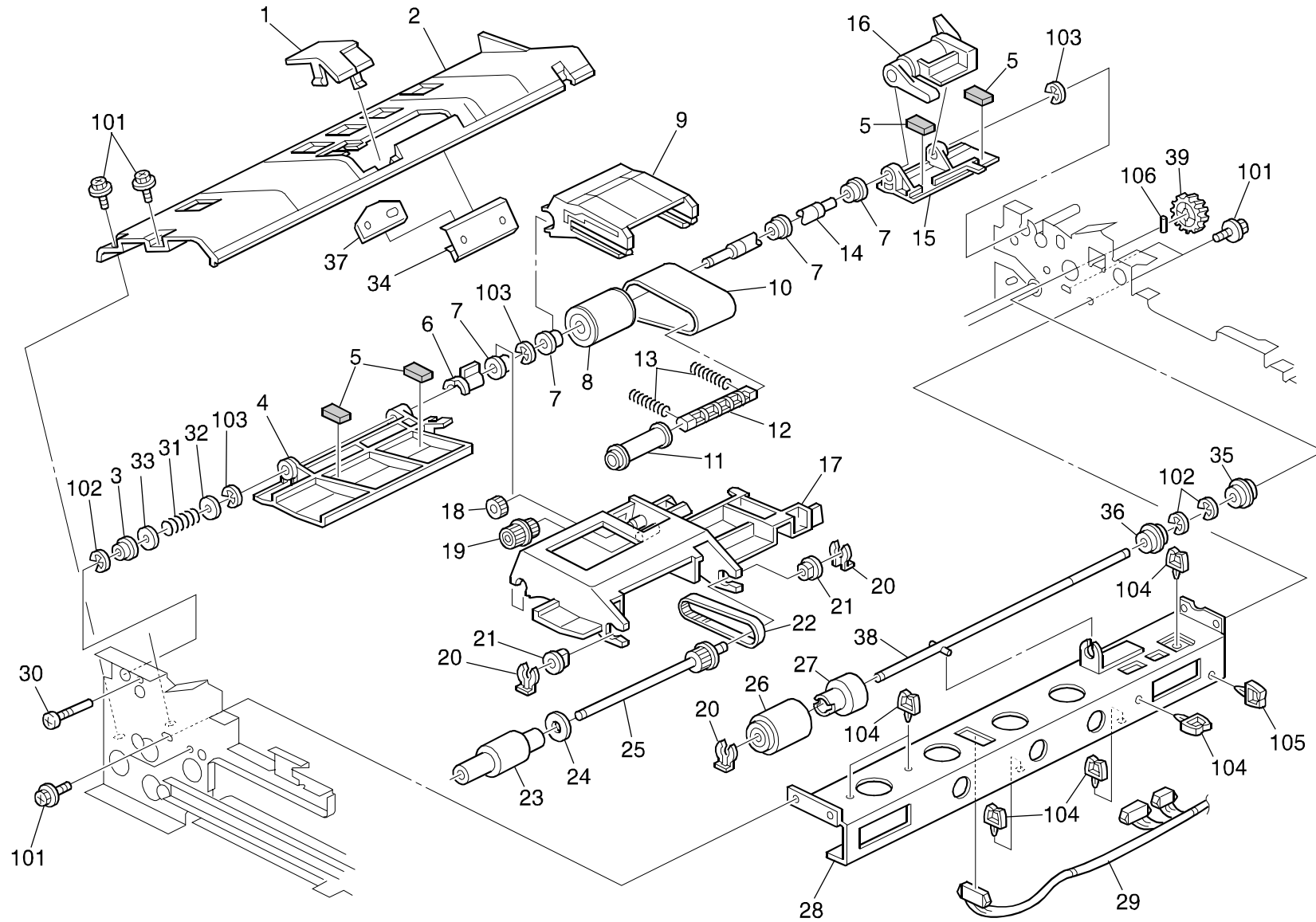


5.ORIGINAL FEED SECTION 1 (A292/A293/B098)

Index No.	Part No.	Description	Q'ty Per Assembly
1	B301 1751	Paper Feed Cover (A292/A293)	1
1	B301 1756	Cover:Paper Feed:Ass'y (B09817)	1
2	A806 4311	Decal - Misfeed Removal (A292/A293)	1
2	B301 4316	Decal: Misfeed Removal (B09817)	1
3	A806 1371	Magnet Catch - Paper Feed Cover	2
4	A806 4331	Decal - Original Size (A292/A293)	1
4	B301 4336	Decal:Size:Original (B098)	1
5	A806 1361	Cover Bracket	1
6	B301 4421	Noise Reduction Pad - Right	4
7	B301 4422	Noise Reduction Pad - Left	4
8	B301 5405	DC Relay Harness	1
9	A806 1181	Pressure Roller Bracket - Pull Out	1
10	B301 4211	Spring	2
11	5446 2824	Screw - Duplex Guide Plate	1
12	A680 1661	Bushing - 4mm	1
13	B301 1191	Pull-out Driven Roller	1
14	A806 1335	Original Table Guide Plate	1
15	B301 1195	Gear - 19Z	1
16	B301 1188	Sensor Bracket	1
17	A806 1871	Side Fence (A292/A293)	1
17	B301 1876	Side Fence:Table:Ass'y (B098)	1
18	A376 4599	Side Fence Pad	1
19	B301 1351	Original Feeler	1
20	A806 1353	Feeler Stud	1
21	A680 4151	Side Fence Guide (A292/A293)	1
21	G564 4151	Rail - Side Fence (B098)	1
22	5206 2686	Snap Ring	1
23	A806 1852	Original Table Base (A292/A293)	1
23	B301 1856	Base:Original Table:Ass'y (B098)	1
24	5215 2621	Snap Ring - M6	1
25	A806 4321	Decal - Original Stack Hight (A292/A293)	1
25	B477 4311	Decal - Original Base (B098)	1
26	A806 5790	Original Sensor Harness	1
27	AW02 0075	Photointerruptor	3
28	A806 1356	Original Sensor Bracket	1

Index No.	Part No.	Description	Q'ty Per Assembly
29	A806 2281	Gear - Z47	1
30	5053 0447	Bushing - 6mm	1
31	A806 1346	Base Shaft	1
32	A806 1342	Base Lever	1
33	5053 0223	Bushing - 8mm	1
34	A806 1331	Original Table Stay	1
35	B301 1170	Turn Guide Plate	1
36	AW01 0093	Photo Reflection Sensor - PS-17ND1	1
37	B301 1198	Pull-out Driven Roller - Front	1
38	B301 4222	Spring	2
39	B301 1192	Bushing - 4x6x6	2
40	B301 4351	Caution Decal	1
41	A806 4251	Grounding Plate	1
101	0450 4008B	Tapping Screw - 4x8	
102	0451 4008B	Philips Tapping Screw - M4x8	
103	0720 0030B	Retaining Ring - M3	
104	0452 4008B	Binding Self Tapping Screw - M4x8	
105	1105 0230	Clamp	
106	1105 0328	Harness Clamp - ES-0505	
107	0632 0140G	Parallel Pin	
108	0720 0040B	Retaining Ring - M4	
109	0720 0060B	Retaining Ring - M6	

6.ORIGINAL FEED SECTION 2 (A292/A293/B098)

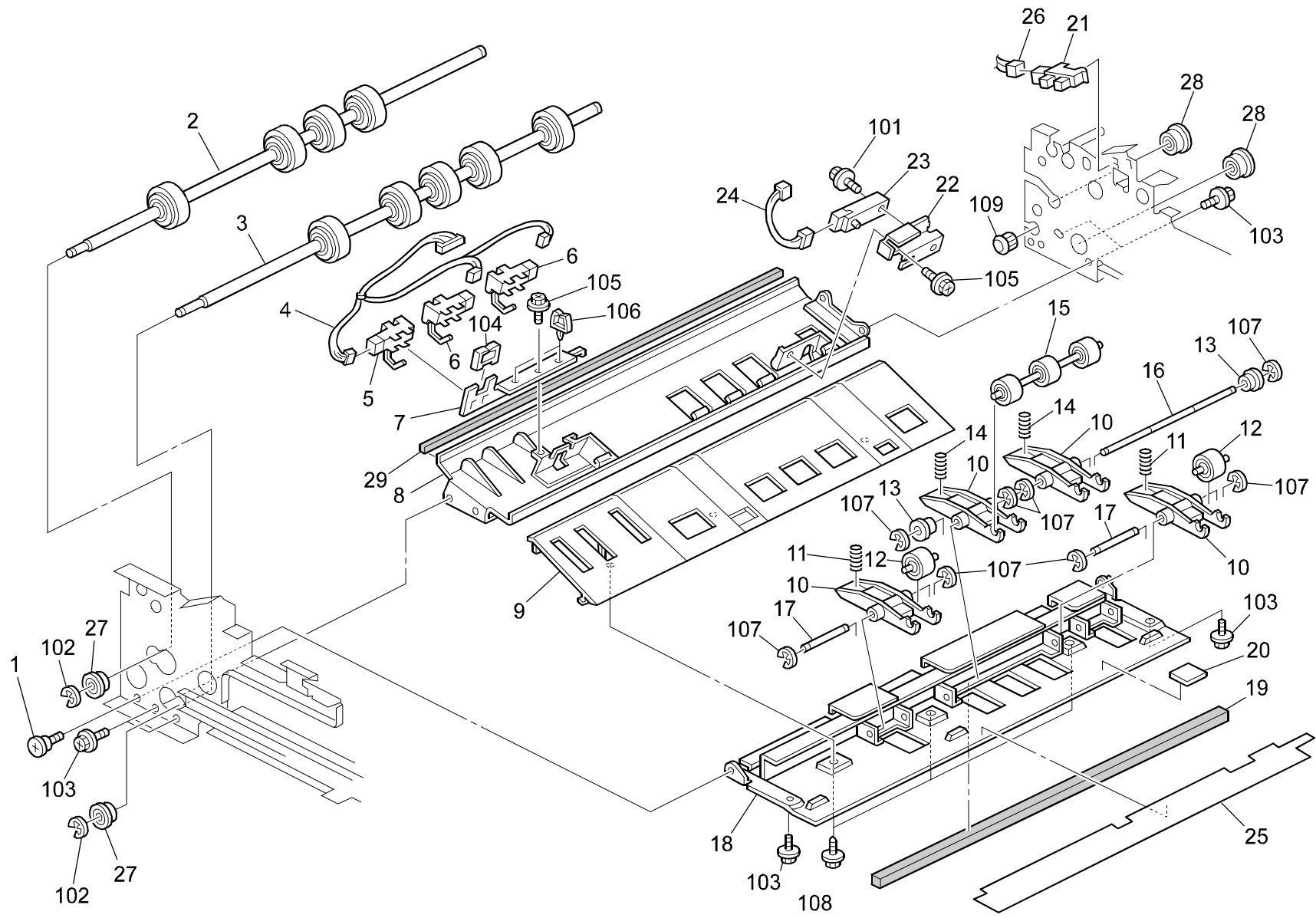


6.ORIGINAL FEED SECTION 2 (A292/A293/B098)

Index No.	Part No.	Description	Q'ty Per Assembly
1	A806 1152	Upper Guide Plate	1
2	A806 1153	Upper Guide Plate	1
3	B301 1286	Bushing - 6x10x6	1
4	A806 1161	Entrance Guide Plate - Front	1
5	A806 1163	Guide Plate Cushion	4
6	A680 1621	Feed-in Unit Stopper	1
7	A628 1225	Bushing - 8mm	4
8	A806 1293	Feed Belt Drive Roller	1
9	A806 1292	Feed Belt Bracket	1
10	A806 1295	Feed Belt	1
11	A806 1294	Feed Belt Driven Roller	1
12	A806 1298	Transport Belt Roller Shaft	1
13	A806 4261	Spring Belt Guide Roller	2
14	A806 1282	Separation Drive Shaft	1
15	A806 1162	Entrance Guide Plate - Inner	1
16	A806 1328	Release Lever	1
17	B301 1314	Pick-up Roller Bracket	1
18	A806 2271	Gear - Z18	1
19	A806 2151	Timing Pulley - T19/Z23 S2M/M0.6	1
20	5447 2681	Snap Ring	3
21	5053 0447	Bushing - 6mm	2
22	A806 4118	Timing Belt - B40S2M148	1
23	A806 1321	Pickup Roller	1
24	AA13 2171	Spacer - 6x20x1	1
25	A806 2153	Timing Pulley - T27 S2M	1
26	A859 2241	Reverse Roller	1
27	A247 2900	Torque Limiter - 53mnm	1
28	A806 1141	Reverse Roller Stay	1
29	A806 5745	Paper Siz Sensor Harness	1
30	5415 4145	Stud	1
31	AA06 3315	Spring - Belt Drive Shaft	1
32	AA13 2013	Spacer	1
33	A418 1158	Spacer - M6.5x1	1
34	B301 1156	Separation Pad Holder	1
35	A232 3562	Ball Bearing - 6x12x4mm	1

Index No.	Part No.	Description	Q'ty Per Assembly
36	A232 3565	Ball Bearing - 6x10x3mm	1
37	B301 1155	Separation Support Pad	1
38	B301 2511	Reverse Roller Shaft	1
39	B301 2221	Gear - 31Z	1
101	0451 3008B	Tapping Screw - M3x8	
102	0720 0040B	Retaining Ring - M4	
103	0720 0060B	Retaining Ring - M6	
104	1105 0230	Clamp	
105	1105 0199	Clamp	
106	0632 0120G	Parallel Pin - 2x12	

7.ORIGINAL FEED SECTION 3 (A292/A293/B098)

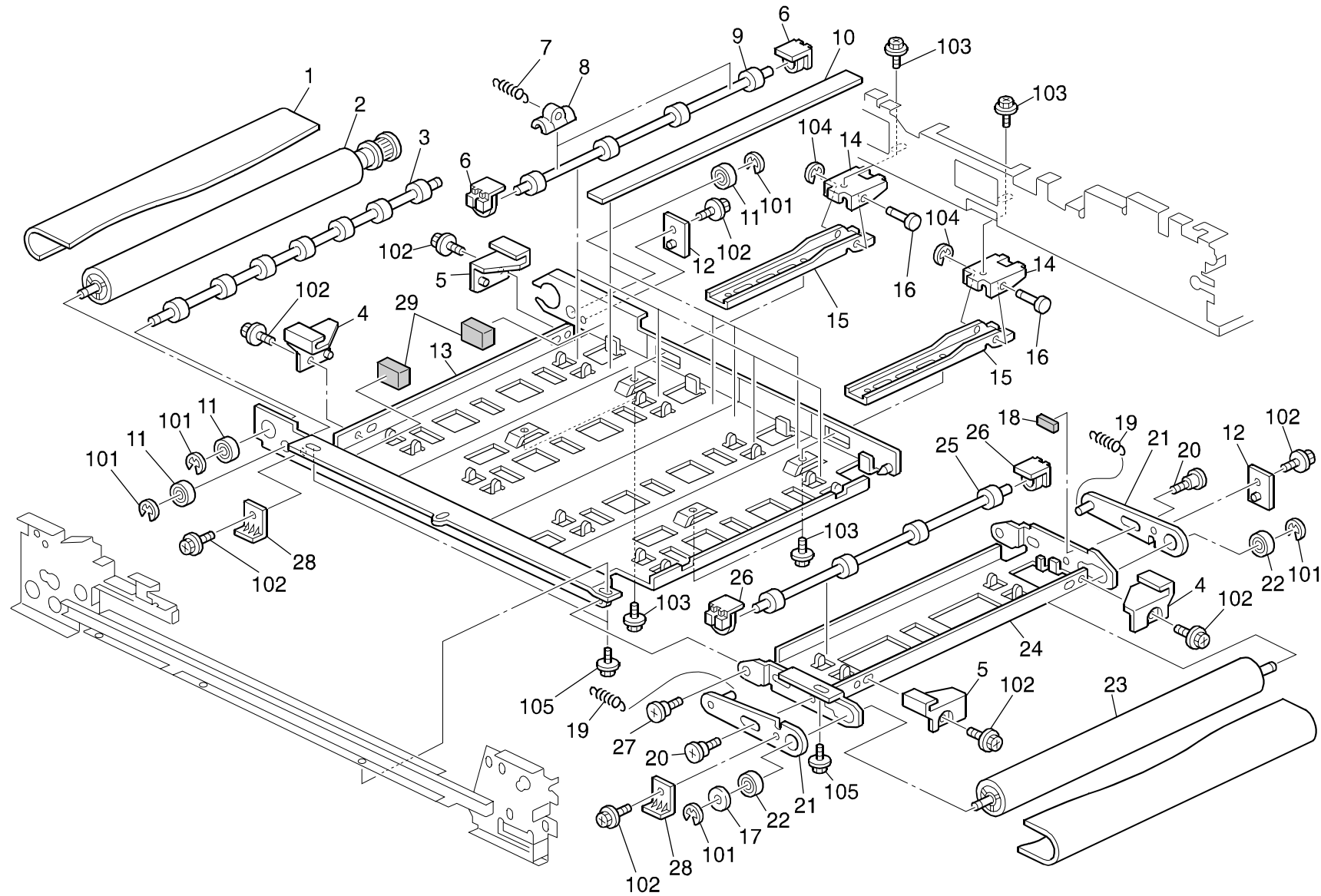


7.ORIGINAL FEED SECTION 3 (A292/A293/B098)

Index No.	Part No.	Description	Q'ty Per Assembly
1	AA14 3074	Stepped Screw - M4x5	1
2	A806 1271	Pull Out Drive Roller	1
3	A806 1276	Transport Drive Roller	1
4	A806 5745	Paper Siz Sensor Harness	1
5	AW02 0104	Photointerruptor	1
6	AW02 0095	Photointerruptor	2
7	A806 1226	Paper Size Sensor Bracket	1
8	A806 1211	Middle Guide Plate	1
9	A806 1241	Lower Guide Plate	1
10	A806 1251	Transport Roller Arm	4
11	B301 4226	Spring	2
12	A806 1266	Driven Roller	2
13	5324 1658	Bushing- 4x8x4.5mm	4
14	A806 4221	Compression Spring	2
15	A806 1261	Middle Driven Roller	1
16	A806 1256	Middle Shaft - Roller Arm	1
17	A806 1257	Roller Arm Shaft	2
18	A806 1231	Paper Feed Base	1
19	B301 4413	Noise Absorbing Pad	2
20	A422 1063	Seal - 0.7x13x20	1
21	AW02 0075	Photointerruptor	1
22	A806 1221	Registration Sensor Bracket	1
23	AW01 0093	Photo Reflection Sensor - PS-17ND1	1
24	A806 5740	Registration Sensor Harness	1
25	B301 1247	Entrance Guide	1
26	B301 5310	DC Relay Harness	1
27	A232 3562	Ball Bearing - 6x12x4mm	2
28	A232 3566	Ball Bearing - 8x16x5	2
29	G020 3897	Discharge Brush - Transport	1

Index No.	Part No.	Description	Q'ty Per Assembly
101	0451 3012B	Tapping Screw With Washer - M3x12	
102	0720 0040B	Retaining Ring - M4	
103	0451 3008B	Tapping Screw - M3x8	
104	1105 0328	Harness Clamp - ES-0505	
105	0451 3006B	Tapping Screw - M3x6	
106	1105 0199	Clamp	
107	0720 0030B	Retaining Ring - M3	
108	0450 3008B	Tapping Screw - M3x8	
109	1106 0193	Bushing - 7.9mm	

8.ORIGINAL TRANSFER SECTION (A292/A293/B098)



8.ORIGINAL TRANSFER SECTION (A292/A293/B098)

Index No.	Part No.	Description	Q'ty Per Assembly
1	B301 1441	Transport Belt	1
2	B301 1432	Belt Drive Roller	1
3	B301 1451	Belt Pressure Roller	1
4	B301 1443	Transport Belt Stopper - Front	2
5	B301 1444	Transport Belt Stopper - Rear	2
6	A610 2136	Bushing	8
7	A610 2133	Tension Spring	8
8	A610 2132	Pressure Bushing	8
9	B301 1481	Belt Pressure Roller	4
10	B301 4431	Vibration Absorbing Pad	4
11	A232 3565	Ball Bearing - 6x10x3mm	3
12	B301 1445	Rear Spacer	2
13	B301 1412	Transport Belt Plate	1
14	A680 1446	Transport Unit Arm	2
15	A548 1442	Transport Arm	2
16	A680 1443	Arm Shaft	2
17	A028 7878	Arm Spacer	1
18	AA16 1138	Cushion - 1.1	1
19	B301 1427	Spring	2
20	B301 1447	Stepped Screw	2
21	B301 1491	Tension Bracket	2
22	A232 3562	Ball Bearing - 6x12x4mm	2
23	B301 1436	Transport Belt Roller	1
24	B301 1422	Transport Stay	1
25	A610 2161	Belt Pressure Roller - 24	1
26	A610 2137	Pressure Roller Bushing	2
27	A498 3118	Stepped Screw - M4	1
28	B301 1449	Front Spacer	2
29	B301 1141	Rubber Cushion	2

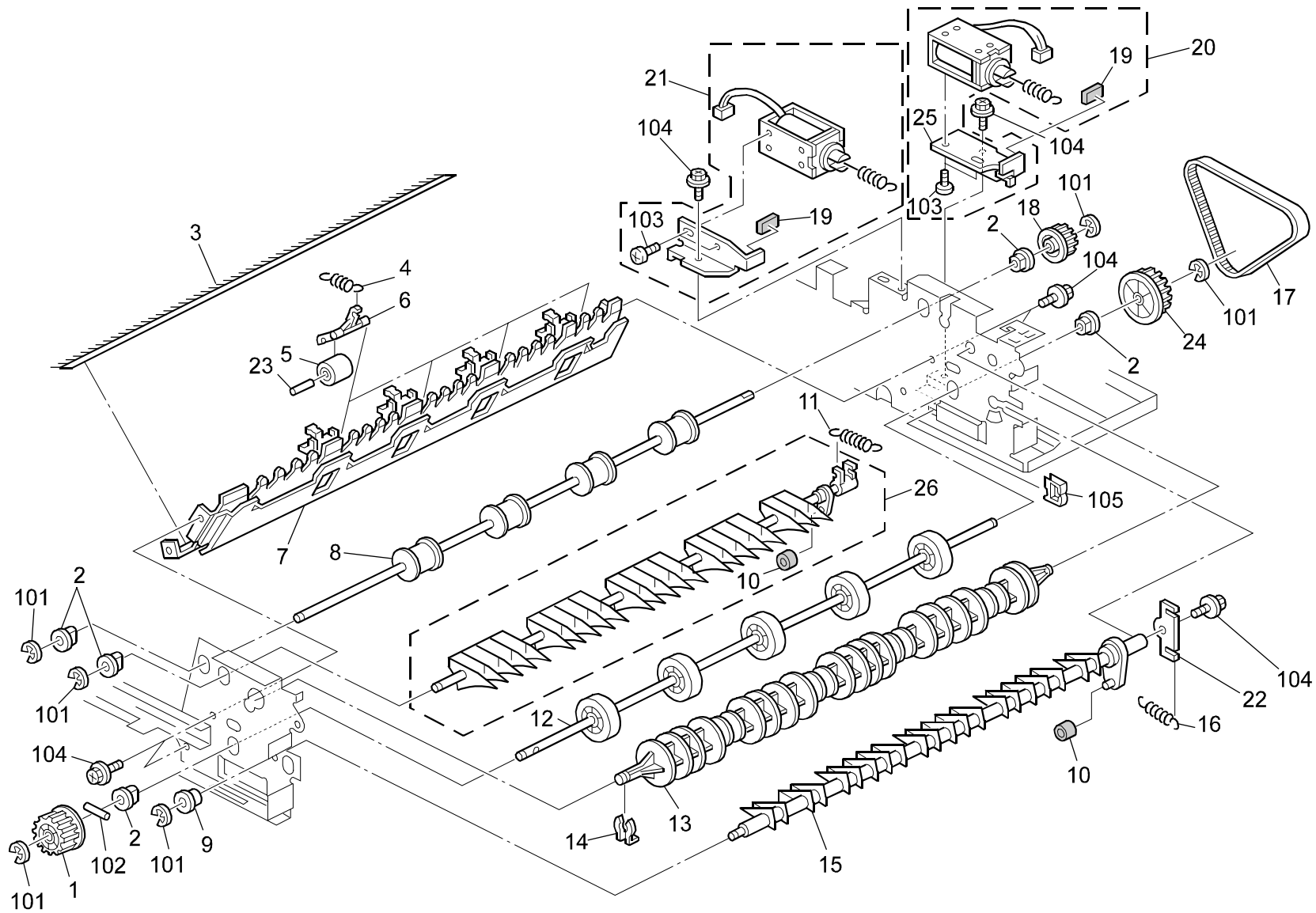
Index No.	Part No.	Description	Q'ty Per Assembly
101	0720 0040B	Retaining Ring - M4	
102	0451 3008B	Tapping Screw - M3x8	
103	0451 4006B	Tapping Screw - 4x6	
104	0720 0030B	Retaining Ring - M3	
105	0451 3006B	Tapping Screw - M3x6	

9.ORIGINAL EXIT SECTION 1 (A292/A293/B098)

Index No.	Part No.	Description	Q'ty Per Assembly
1	AA14 3020	Stepped Screw - M4	1
2	AW01 0093	Photo Reflection Sensor - PS-17ND1	2
3	B301 3161	Left Exit Guide	1
4	A806 3151	Driven Exit Roller	4
5	A806 3142	Guide Plate Bracket	1
6	B301 3135	Spring	4
7	A806 3171	Lower Exit Cover	1
8	B301 4413	Noise Absorbing Pad	1
9	B301 3184	Reverse Driven Roller	5
10	A548 1234	Driven Roller Arm	5
11	B301 3132	Lower Guide Plate	1
12	5053 0447	Bushing - 6mm	2
13	A806 3281	Timing Pulley - T14 S3M	1
14	AA04 3548	Timing Belt - B40S3M150	1
15	A806 3211	Right Exit Guide Plate	1
16	AA12 0032	Antistatic Brush	1
17	A806 3222	Seal	1
18	A806 3221	Exit Ground Plate	1
19	A351 3459	Idler	1
20	A806 1921	Right Cover (A292/A293)	1
20	B301 1926	Cover:Right (B098)	1
21	A806 3111	Drive Exit Roller	1
22	B301 5455	DC Relay Harness	1
23	B301 3185	Driven Roller Shaft	9

Index No.	Part No.	Description	Q'ty Per Assembly
101	0720 0040B	Retaining Ring - M4	
102	0451 3008B	Tapping Screw - M3x8	
103	0450 3008B	Tapping Screw - M3x8	

10.ORIGINAL EXIT SECTION 2 (A292/A293/B098)

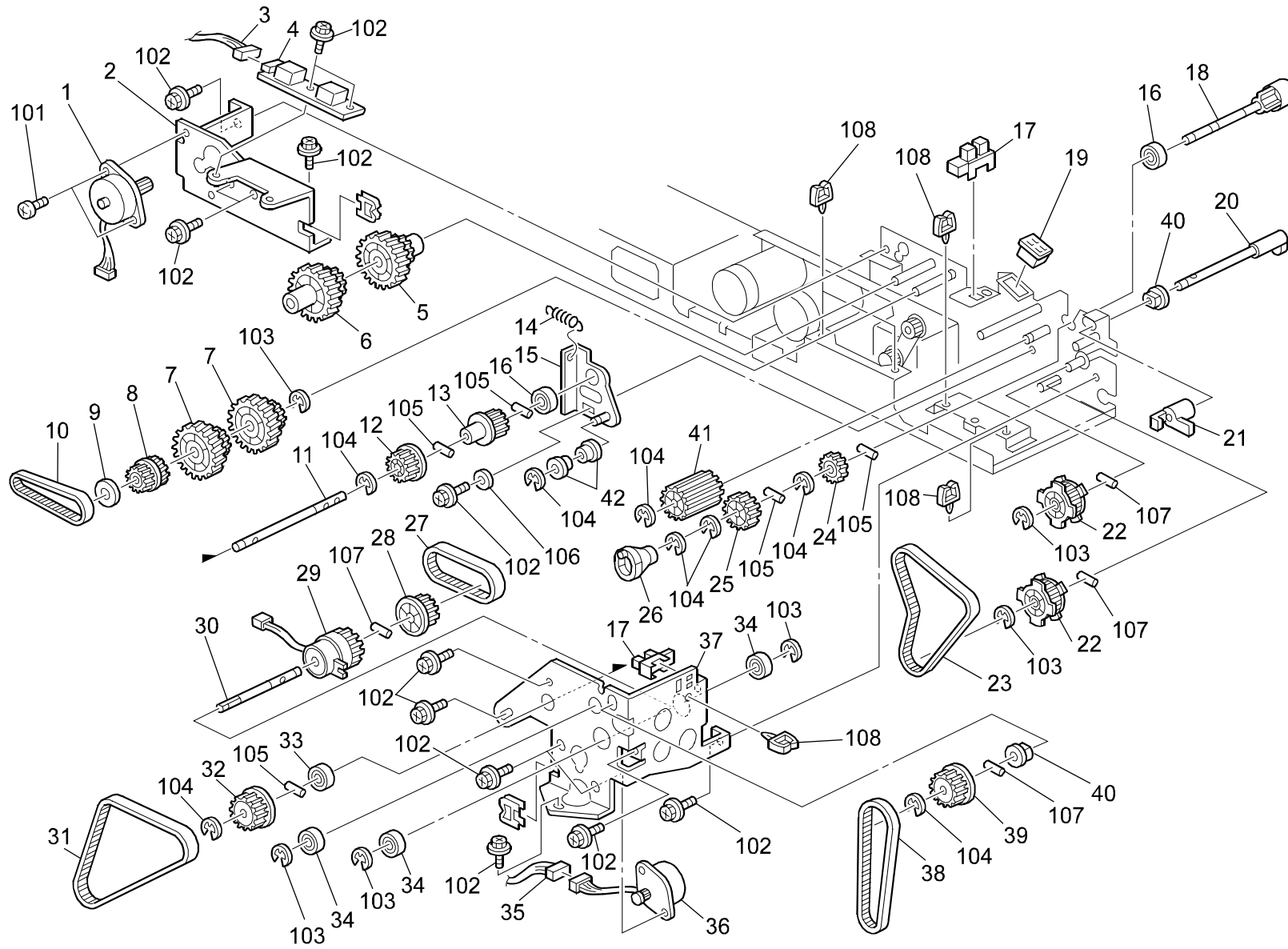


10.ORIGINAL EXIT SECTION 2 (A292/A293/B098)

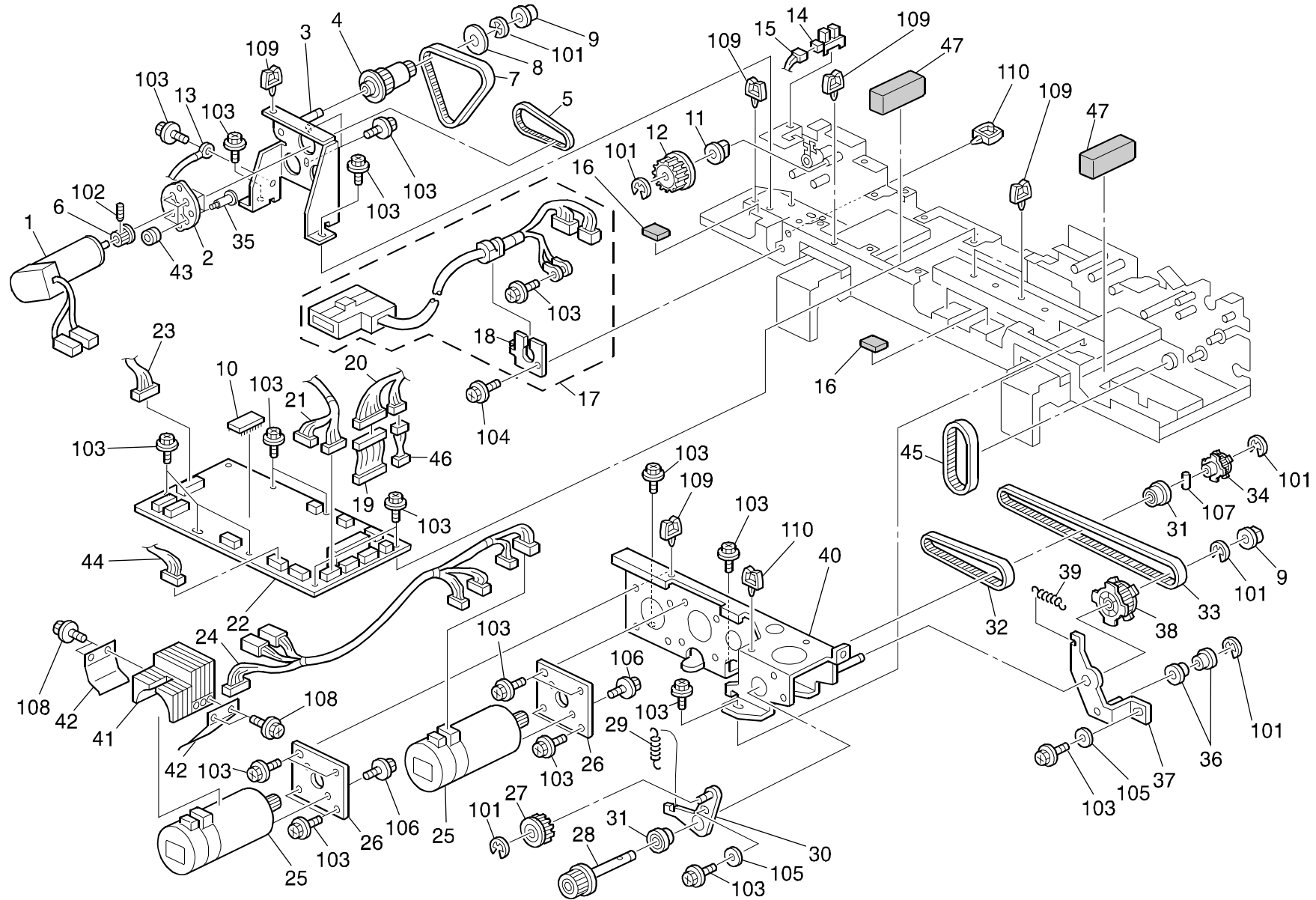
Index No.	Part No.	Description	Q'ty Per Assembly
1	A680 2321	Pulley - 30T	1
2	5053 0447	Bushing - 6mm	5
3	A548 1217	Antistatic Brush - Paper Exit	1
4	B301 3186	Spring	4
5	B301 3184	Reverse Driven Roller	4
6	A548 1234	Driven Roller Arm	4
7	B301 3181	Invertor Guide Plate	1
8	A548 1261	Exit Roller	1
9	5324 1658	Bushing- 4x8x4.5mm	1
10	A548 1317	Lever Cushion	2
11	A806 4232	Tension Spring	1
12	B301 3271	Reverse Drive Roller	1
13	A548 1231	Guide Roller	1
14	5215 2621	Snap Ring - M6	1
15	B301 3191	Exit Junction Gate	1
16	A806 4231	Spring	1
17	AA04 3547	Timing Belt - B40S3M213	1
18	A548 2137	Timing Pulley - 18Z	1
19	A469 3113	Rubber Seal - 1x6x10mm	2
20	A806 3311	Invertor Solenoid Assembly	1
21	A680 1384	Solenoid - Lower Inverter Gate	1
22	B301 3192	Lever - Exit Junction Gate	1
23	B301 3185	Driven Roller Shaft	4
24	B301 3286	Pulley - 30Z	1
25	A806 3312	Solenoid Bracket	1
26	A548 1320	Inverter Gate Plate	1

Index No.	Part No.	Description	Q'ty Per Assembly
101	0720 0040B	Retaining Ring - M4	
102	0632 0120G	Parallel Pin - 2x12	
103	0353 0030B	Philips Truss Head Screw - M3x3	
104	0451 3008B	Tapping Screw - M3x8	
105	1105 0230	Clamp	

11.ARDF DRIVE & ELECTRICAL 1 (A292/A293/B098)



12.ARDF DRIVE & ELECTRICAL 2 (A292/A293/B098)

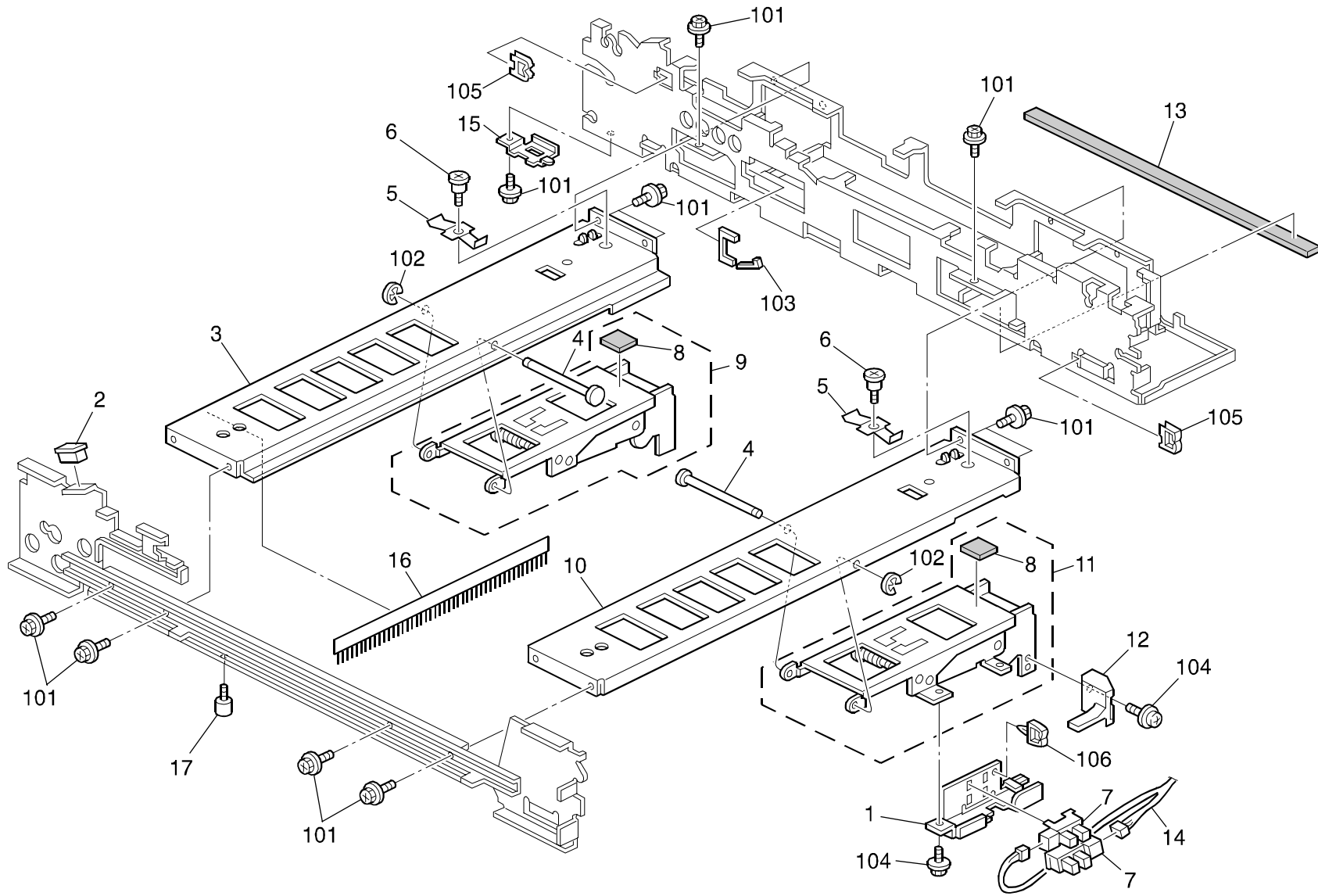


12.ARDF DRIVE & ELECTRICAL 2 (A292/A293/B098)

Index No.	Part No.	Description	Q'ty Per Assembly
1	AX06 0121	DC Motor - 27W	1
2	B301 3345	Exit Motor Guide Plate	1
3	B301 3341	Exit Motor Bracket	1
4	A680 2311	Pulley - 18T/32T	1
5	AA04 3539	Timing Belt - B40S2M104	1
6	A610 3532	Timing Pulley - 18Z	1
7	AA04 3547	Timing Belt - B40S3M213	1
8	A300 3812	Spacer - 6x22x1.5	1
9	5936 2321	Rubber Bushing - Vibration Damper	1
10	B301 5562	IC - UVEPROM 27C 1M X8 120NS	1
11	5053 0447	Bushing - 6mm	1
12	A548 2137	Timing Pulley - 18Z	1
13	B301 5475	Grounding Wire	1
14	AW02 0075	Photointerruptor	1
15	B301 5460	DC Relay Harness	1
16	B301 1141	Rubber Cushion	4
17	B301 5340	DF Harness	1
18	A680 1171	Harness Holder	1
19	B301 5385	Relay Harness	1
20	B301 5400	DC Harness	1
21	B301 5430	DC Harness	1
22	B301 5520	ADF Main Control Board	1
23	B301 5450	DC Harness	1
24	B301 5370	DC Harness	1
25	B301 5600	DC Motor - 54W	2
26	B301 2172	Cushion	2
27	AB03 0354	Pulley - 20T	1
28	B301 2113	Pulley - 19Z	1
29	AA06 0590	Pressure Spring	3
30	B301 2327	Holder Bracket	1
31	B301 2610	Bearing - 6x15x5	2
32	AA04 3533	Timing Belt - B0S2M256	1
33	AA04 3546	Timing Belt - B60S2M474	1
34	B301 2111	Pulley - 30Z	1
35	AA14 3379	Stepped Screw	4

Index No.	Part No.	Description	Q'ty Per Assembly
36	A232 3565	Ball Bearing - 6x10x3mm	2
37	B301 2376	Tension Bracket	1
38	B301 2231	Pulley - 58/20Z	1
39	AA06 0590	Pressure Spring	3
40	B301 2371	Motor Bracket	1
41	B301 2319	Heat Sink - DC Motor	1
42	B301 2320	Heat Sink Holder	2
43	B301 3246	Motor Bushing - 4x9x5.2	4
44	B301 5480	Df Position Sensor Harness	1
45	AA04 3538	Timing Belt - B60S3M174	1
46	B301 5390	Relay Harness	1
47	B301 4414	Acoustic Material	3
101	0720 0040B	Retaining Ring - M4	
102	0574 0050E	Hexagon Headless Set Screw - M4x5	
103	0451 3008B	Tapping Screw - M3x8	
104	0451 4008B	Philips Tapping Screw - M4x8	
105	0701 0030B	Flat Washer - M3	
106	0451 4006B	Tapping Screw - 4x6	
107	0632 0120G	Parallel Pin - 2x12	
108	0451 3005B	Tapping Screw - M3x5	
109	1105 0230	Clamp	
110	1105 0199	Clamp	

13.ARDF FRAME SECTION (A292/A293/B098)

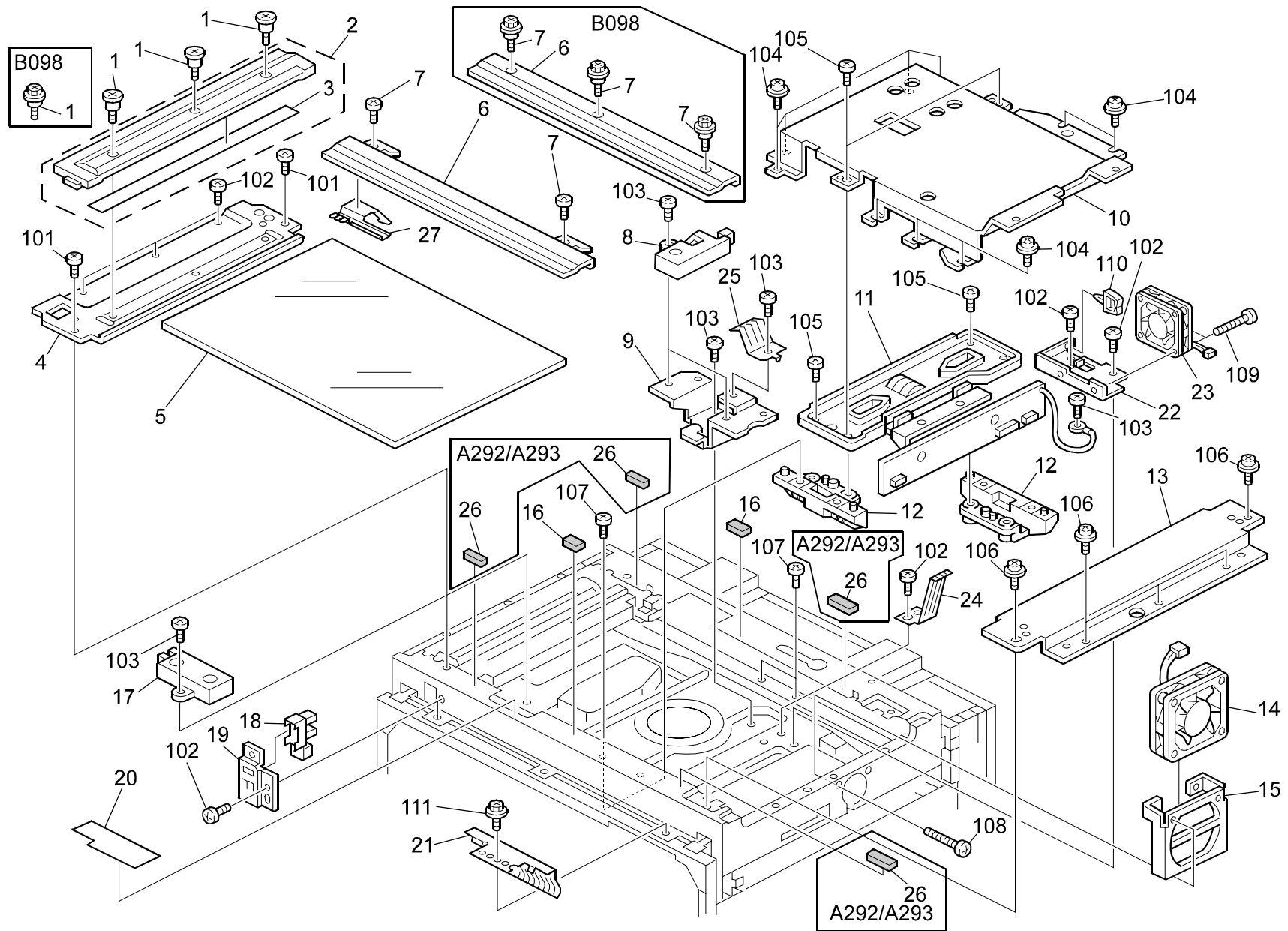


13.ARDF FRAME SECTION (A292/A293/B098)

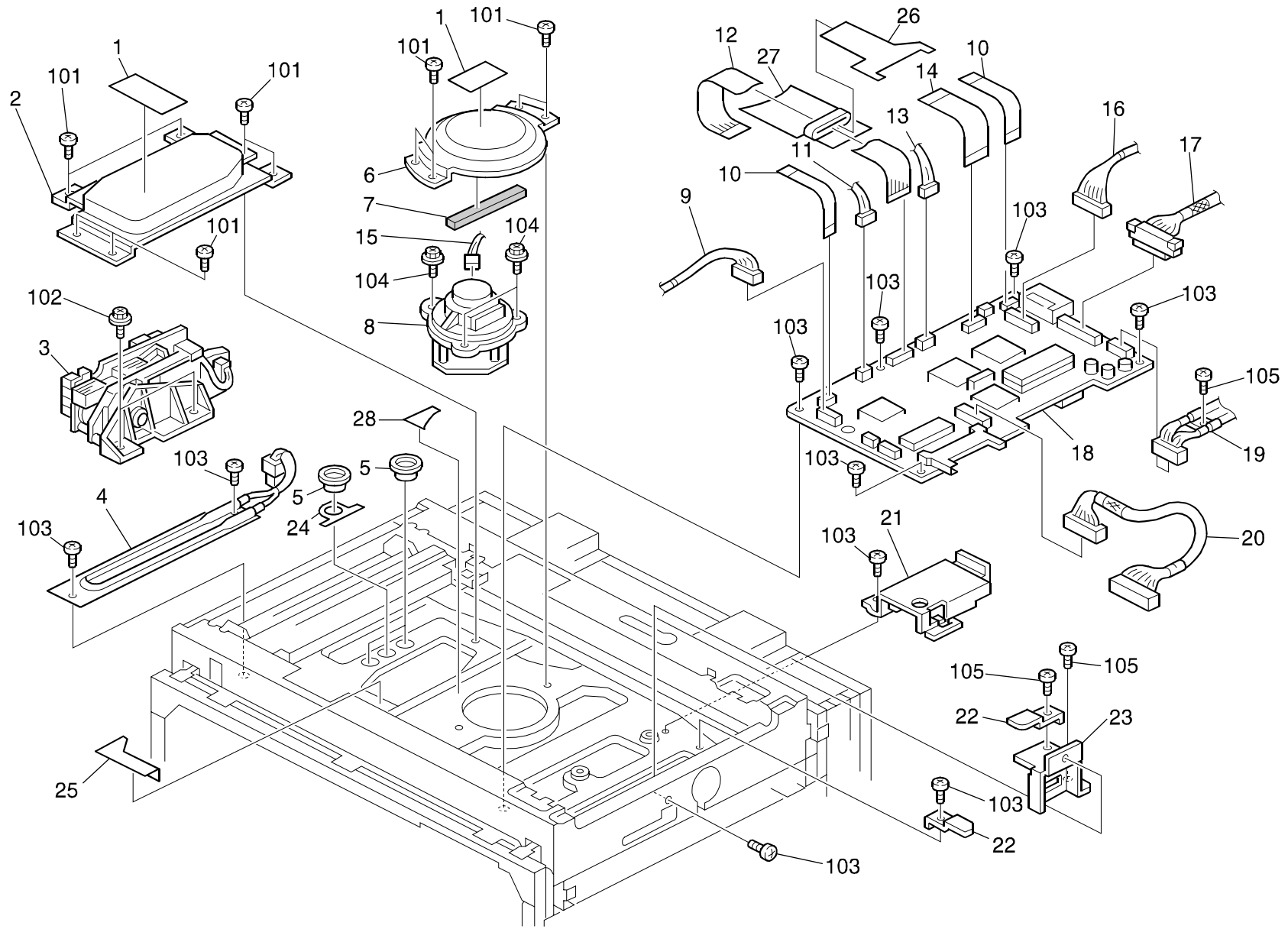
Index No.	Part No.	Description	Q'ty Per Assembly
1	B301 1543	Sensor Bracket	1
2	A680 1181	Magnetic Catch	1
3	B301 1631	Rear Side Plate	1
4	A806 1135	Contact Point Shaft	2
5	B301 1136	Spring Plate - 0.4mm	2
6	AA14 3039	Spring Holder	2
7	AW02 0075	Photointerruptor	2
8	A351 4281	Anti-vibration Cushion	2
9	B301 1510	Left Hinge	1
10	B301 1633	Right Stay	1
11	B301 1520	Right Hinge	1
12	A548 1531	Safety Switch Feeler	1
13	B301 4412	Acoustic Material	1
14	B301 5480	DF Position Sensor Harness	1
15	B301 1137	Pulley Cover	1
16	B301 1134	Anti-static Brush	1
17	5410 1291	Pin	1

Index No.	Part No.	Description	Q'ty Per Assembly
101	0450 3008B	Tapping Screw - M3x8	
102	0720 0030B	Retaining Ring - M3	
103	1105 0334	Edge - 17	
104	0451 4006B	Tapping Screw - 4x6	
105	1105 0328	Harness Clamp - ES-0505	
106	1105 0230	Clamp	

14.OPTICS SECTION 1 (A292/A293/B098)



15.OPTICS SECTION 2 (A292/A293/B098)

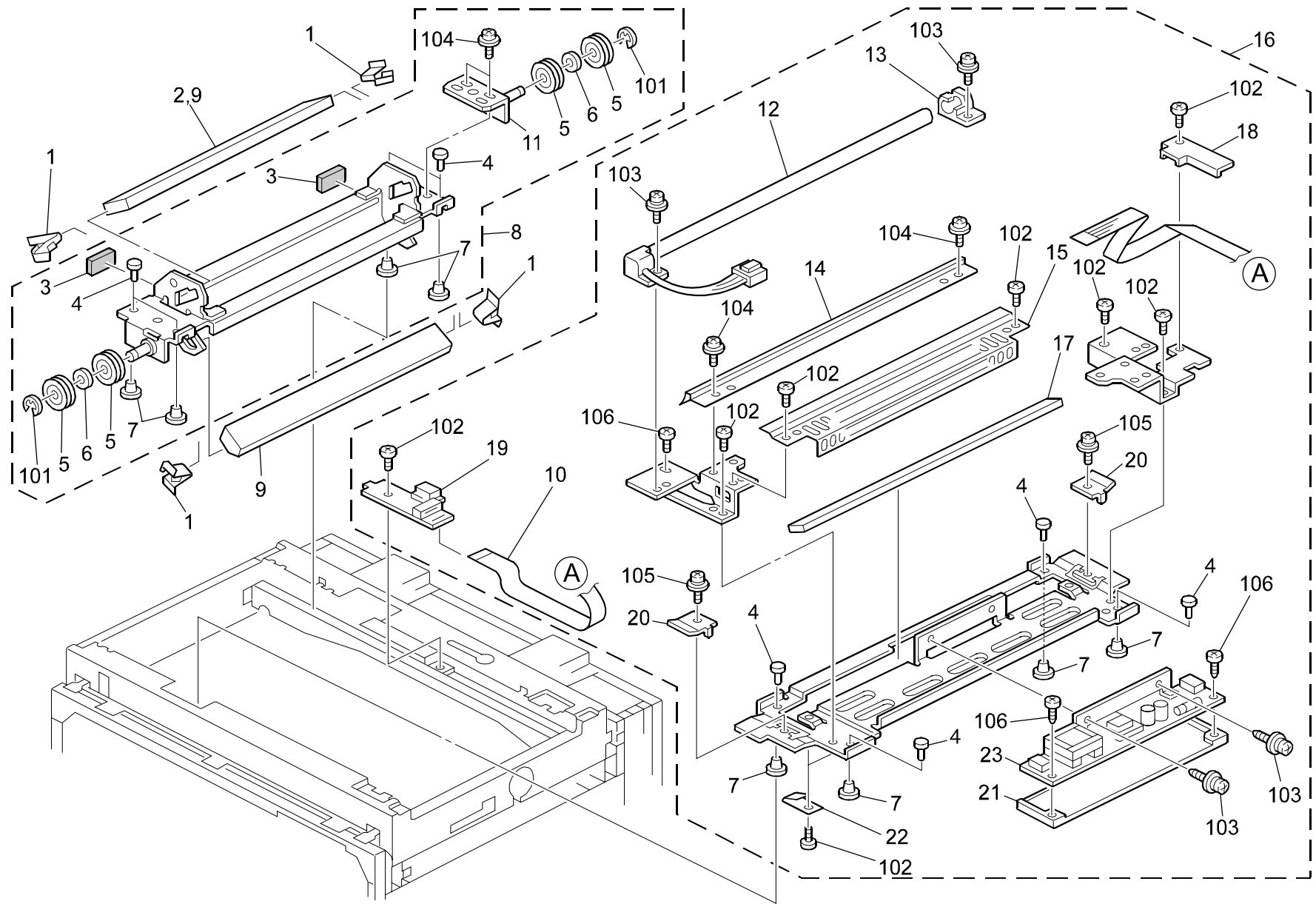


15.OPTICS SECTION 2 (A292/A293/B098)

Index No.	Part No.	Description	Q'ty Per Assembly
1	G029 1982	Decal - LD	2
2	A293 1695	Laser Diode Unit Cover	1
3	A293 8980	Laser Diode Unit Ass'y (A292/A293)	1
3	B098 1970	Laser Diode Unit:Ass'y (B098)	1
4	AX40 0063	Anti Condensation Heater - 120V 9W	1
4	AX40 0064	Anti Condensation Heater - 230V 9W	1
5	5353 3283	Insert Cap	3
6	A293 1691	Polygon Mirror Motor Cover	1
7	A293 1693	Seal - 60mm	1
8	AX06 0200	Polygon Mirror Motor (A292/A293)	1
8	AX06 0257	Polygon Mirror Motor:DC24V 24W (B098)	1
9	A293 5405	LCDC Harness	1
10	A293 5471	SBU Harness - 15wick (A292/A293)	2
10	B098 5471	Harness:FFC:SBU:15WICK:80MM (B098)	2
11	A293 5430	Inner Harness	1
12	A293 5426	Laser Diode Control Harness	1
13	A293 5431	Power Harness - Laser Diode	1
14	A293 5470	SBU Harness - 40wick (A292/A293)	1
14	B098 5470	Harness:FFC:SBU:40WICK:80MM (B098)	1
15	A229 5429	Power Harness	1
16	A293 7604	MCU Harness (LAN) (A292/A293)	1
16	A293 7607	MCU Harness (A292/A293)	1
16	B098 7607	Harness:IC:EXP (B098)	1
16	B098 7604	Harness:IC:LAN (B098)	1
17	A293 5400	BICU Cable (A292/A293)	1
17	B098 5400	Interface Harness:BICU:IOB (B098)	1
18	A293 7552	BICU Board (NA) (A292/A293)	1
18	A293 7562	BICU Board (EU) (A292/A293)	1
18	B098 7552	PCB:BICU:NA:Ass'y (B098)	1
18	B098 7562	PCB:BICU:EU:Ass'y (B098)	1
19	A293 5507	BICU Harness - DC Power	1
20	A293 5472	HDD Harness	1
21	A293 1832	Connecting Guide	1
22	A229 5872	Harness Clamp	2
23	A293 1839	Key Counter Bracket	1

Index No.	Part No.	Description	Q'ty Per Assembly
24	A229 1694	Shielding Sheet	1
25	A293 1694	Insulating Sheet	1
26	A293 1834	Insulating Sheet - FFC-SBU (A292/A293)	1
26	B098 1834	Insulating Sheet:FFC:SBU (B098)	1
27	A293 1835	Insulating Sheet - FFC Ass'y (A292/A293)	1
27	B098 1835	Insulating Sheet:FFC:Ass'y (B098)	1
28	A293 1838	Insulating Sheet - FFC Small	1
101	0353 0080B	Screw - M3X8	
102	0451 3012B	Tapping Screw With Washer - M3x12	
103	0353 0060B	Philips Pan Head Screw - M3x6	
104	0451 4010B	Tapping Screw - 4x10	
105	0354 0080B	Screw - M4X8	

16.OPTICS SECTION 3 (A292/A293/B098)

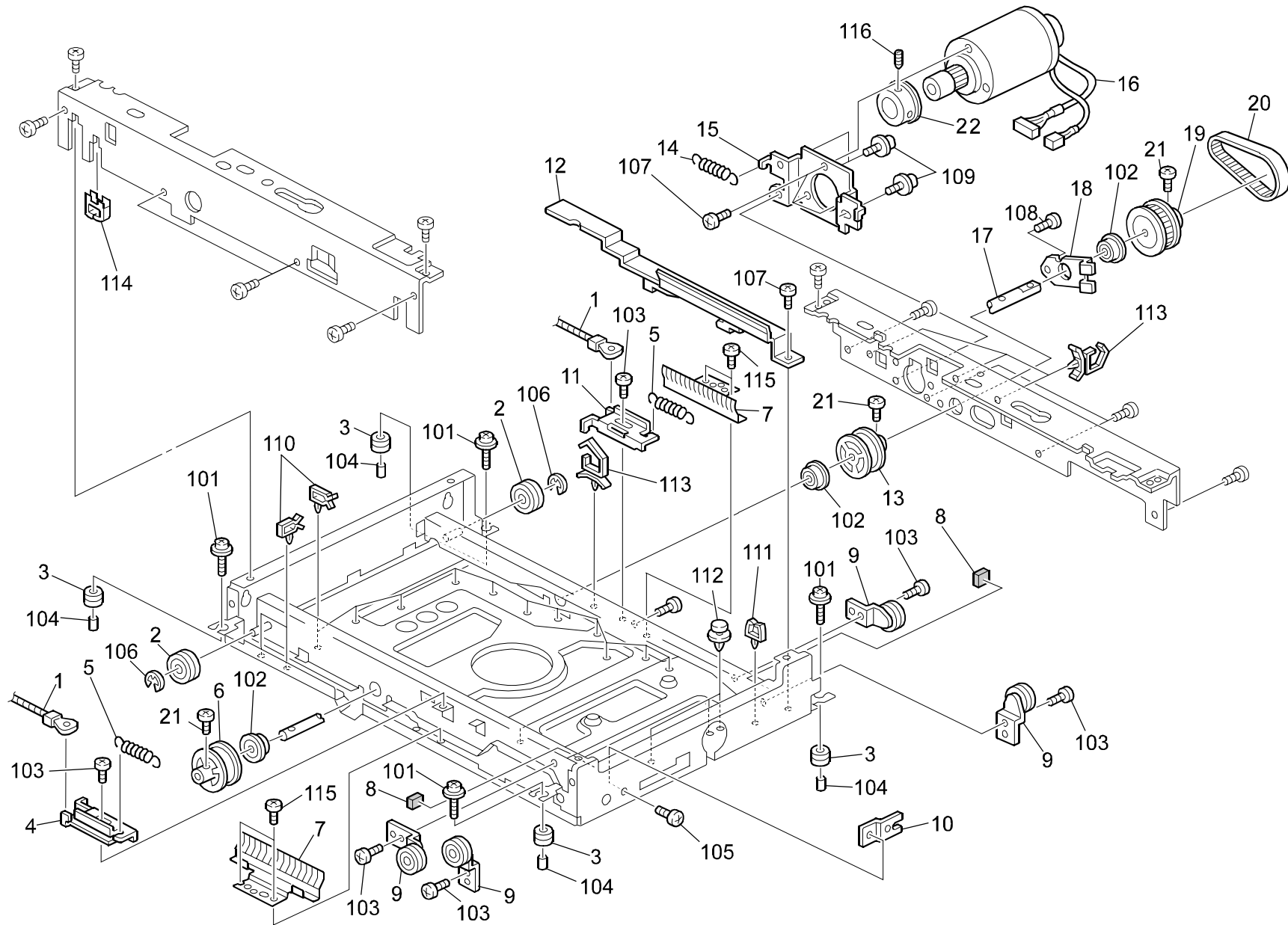


16.OPTICS SECTION 3 (A292/A293/B098)

Index No.	Part No.	Description	Q'ty Per Assembly
1	A293 1766	2nd Mirror Plate	4
2	A293 1765	2nd Mirror (A292/A293)	1
3	A294 1743	Cushion - 5x20x4	2
4	A096 1873	Scanner Shoe Pin	8
5	AB03 2717	Pulley - 26Z	4
6	AA13 2174	Spacer - M8	2
7	A069 1883	Shoe - Scanner	8
8	A293 1751	2nd Scanner Ass'y	1
9	A293 1767	2nd Mirror (A292/A293)	1
9	B098 1740	Mirror:No.2:Ass'y (B098)	2
10	A294 5500	Harness - 1st Scanner	1
11	A293 1753	Adjusting Pin - 2nd Scanner	1
12	AX50 0071	Xenon Lamp - 7000 OLX	1
13	A294 1712	Rear Holder - Lamp	1
14	A294 1707	Reflector	1
15	A294 1705	Cover - 1st Scanner	1
16	A293 1731	1st Scanner Unit (A292/A293)	1
16	B098 1731	Carriage:No.1:Ass'y (B098)	1
17	A293 1735	1st Mirror (A292/A293)	1
17	B098 1735	Mirror:No.1:Ass'y (B098)	1
18	A294 1710	Holder - 1st Scanner Harness	1
19	A293 5330	Interface Board	1
20	A294 1709	Wire Clamp	2
21	A294 1708	Invertor Insulator - 1	1
22	AC03 5022	Rear Mirror Clamp - 1st Mirror	2
23	AZ50 0054	Inverter - Xenon Lamp	1

Index No.	Part No.	Description	Q'ty Per Assembly
101	0720 0060E	Retaining Ring - M6	
102	0453 3006B	Tapping Screw - M3x6	
103	0954 3008B	Philips Screw - M3x8	
104	0951 3006B	Philips Screw With Flat Washer - M3x6	
105	0954 4008B	Philips Screw - M4x8	
106	0452 3006W	Tapping Screw - 3x6	

17.OPTICS SECTION 4 (A292/A293/B098)

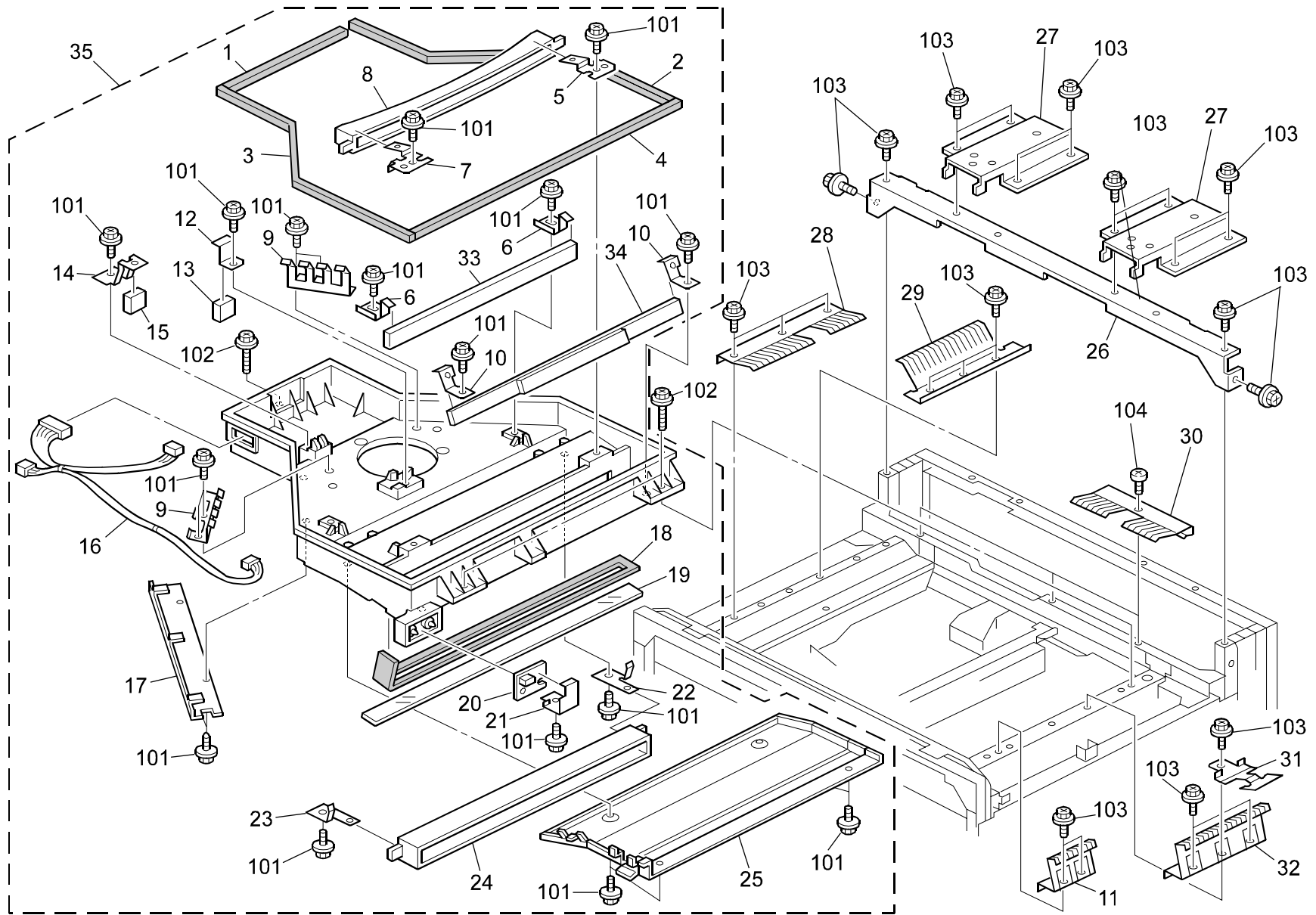


17.OPTICS SECTION 4 (A292/A293/B098)

Index No.	Part No.	Description	Q'ty Per Assembly
1	A293 1715	Scanner Drive Wire (A292/A293)	2
1	B098 1715	Drive Were:Scanner (B098)	2
2	AB03 2717	Pulley - 26Z	2
3	AA16 1104	Cushion - Motor	4
4	A293 1721	Front Tension Bracket	1
5	AA06 0221	Gripper Solenoid Spring	2
6	A294 1757	Pulley - Front Drive	1
7	A229 1833	Grounding Plate	2
8	A294 1688	Cushion	2
9	A134 1698	Idle Pulley	4
10	A229 1815	Key Counter Bracket - Front	1
11	A293 1722	Rear Tension Bracket	1
12	A293 1830	Flexible Board Guide	1
13	A294 1758	Pulley - Rear Drive	1
14	AA06 0763	Tension Spring	1
15	A293 1706	Bracket - Scanner Motor (A292/A293)	1
15	B098 1706	Bracket:Dc Motor:Scanner (B098)	1
16	A293 1705	DC Motor - 50W (A292/A293)	1
16	B098 1705	DC Motor:38V 26W (B098)	1
17	A293 1711	Drive Shaft	1
18	A134 1722	Bracket - Drive Shaft	1
19	AB03 0657	Timing Pulley - 65T	1
20	A293 1717	Timing Belt - S2M274	1
21	A293 1713	Hexagonal Screw 3x6	3
22	B098 1707	Fly Wheel:Scanner (B098)	1

Index No.	Part No.	Description	Q'ty Per Assembly
101	0951 4010B	Philips Screw With Washer - M4x10	
102	0805 3368	Ball Bearing - 8x16x5mm	
103	0354 0080B	Screw - M4X8	
104	0707 4050B	Bushing - 4 X5	
105	0313 0060B	Philips Pan Head Screw - M3x6	
106	0720 0060B	Retaining Ring - M6	
107	0353 0060B	Philips Pan Head Screw - M3x6	
108	0354 0060B	Screw - M4X6	
109	0951 4006B	Philips Screw With Washer - M4x6	
110	1105 0290	Harness Clamp - Horizontal	
111	1105 0229	Clamp	
112	1105 0246	Spacer	
113	1105 0310	Harness Clamp - LWS-1S	
114	1105 0113	Edge - P108	
115	0314 0080B	Philips Pan Head Screw - M4x8	
116	0574 0040E	Hexagon Headless Set Screw - M4x4 (B098)	

18.LASER UNIT (A292/A293/B098)

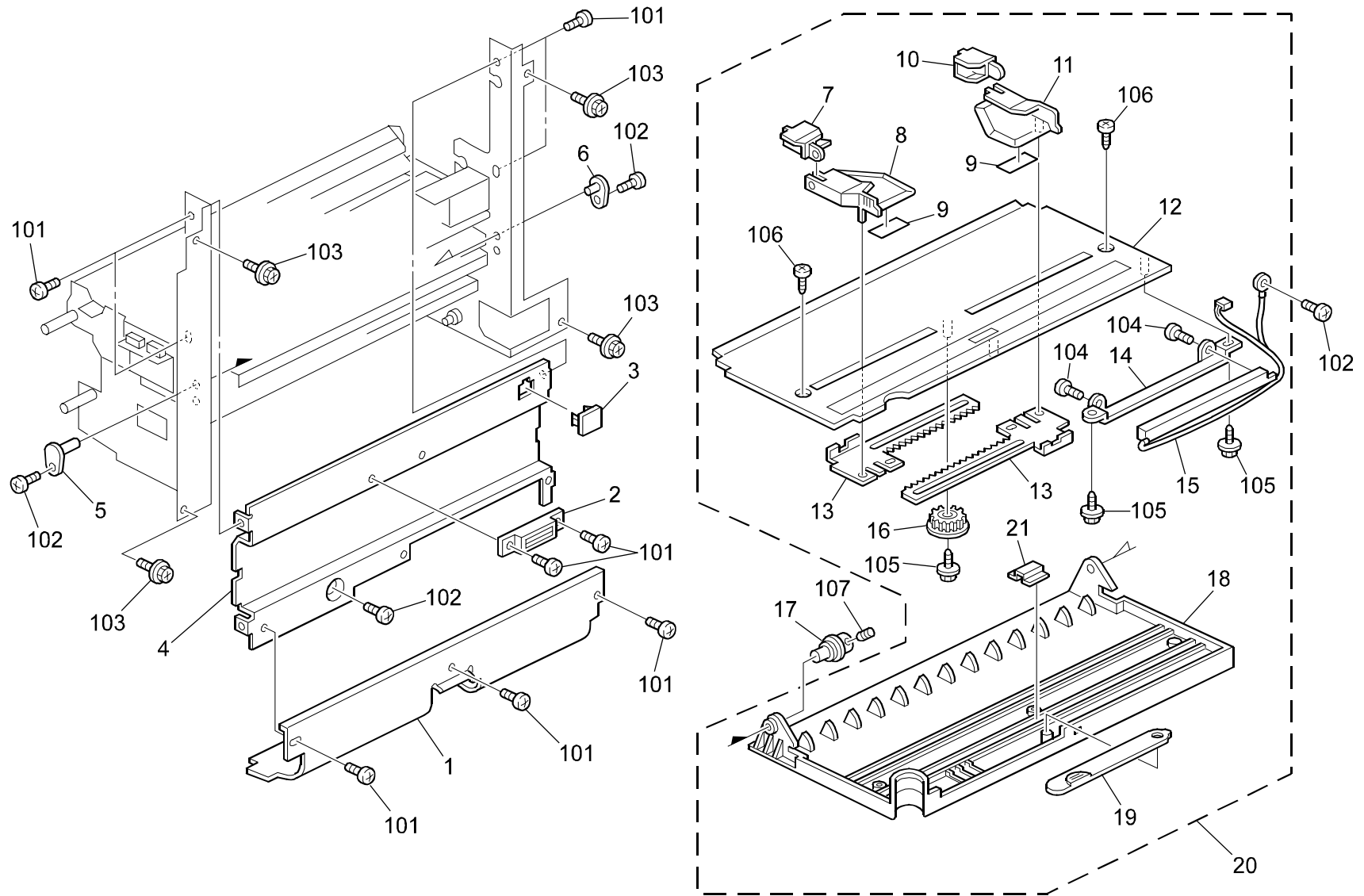


18.LASER UNIT (A292/A293/B098)

Index No.	Part No.	Description	Q'ty Per Assembly
1	A229 1960	Shield 1	1
2	A229 1961	Shield 2	1
3	A229 1962	Seal - 6x364	1
4	A229 1963	Shield 4	1
5	G020 1906	Left Holder - F Theta Mirror	1
6	A229 1903	Mirror Plate - No.1	2
7	G020 1907	Right Holder - F Theta Mirror	1
8	G020 1968	F Theta Mirror	1
9	A229 1936	Side Spring Plate	2
10	A293 1907	2nd Mirror Plate	2
11	A229 1752	Ground Plate - Right Short	1
12	A229 1907	Mirror Plate - No.3	1
13	AC03 0113	3rd Mirror	1
14	A217 2103	Cylindrical Lens Plate	1
15	A229 1916	Cylindrical Lens	1
16	A293 5432	Harness - Imaging Unit - Outer	1
17	A229 1958	Harness Guide	1
18	A229 1934	Shield - Shield Glass	1
19	AC01 5026	Shield Glass	1
20	A293 5310	Sync Detector Board	1
21	A229 1919	Sync Detector Board Plate	1
22	G020 1904	Left Holder - BTL Lens	1
23	G020 1903	Right Holder - BTL Lens	1
24	A229 1925	BTL Lens Ass'y	1
25	A229 1923	Lower Cover	1
26	A229 1072	Upper Middle Stay (A292/A293)	1
26	B098 1072	Stay:Upper:Middle (B098)	1
27	A293 1093	ADF Holder	2
28	A229 1753	Ground Plate - Left Long	1
29	A229 1754	Ground Plate - Left Short	1
30	A229 1750	Ground Plate - Rear	3
31	A293 5879	Ground Plate	1
32	A229 1751	Ground Plate - Right Long	1
33	AC03 0111	1st Mirror	1
34	AC03 0114	2nd Mirror	1

Index No.	Part No.	Description	Q'ty Per Assembly
35	A293 1871	Optical Housing Ass'y (A292/A293)	1
35	B098 1871	Imaging Unit:Ass'y (B098)	1
101	0451 3006B	Tapping Screw - M3x6	
102	0451 4010B	Tapping Screw - 4x10	
103	0451 4008B	Philips Tapping Screw - M4x8	
104	0354 0080B	Screw - M4X8	

19.BY-PASS FEED SECTION (A292/A293/B098)

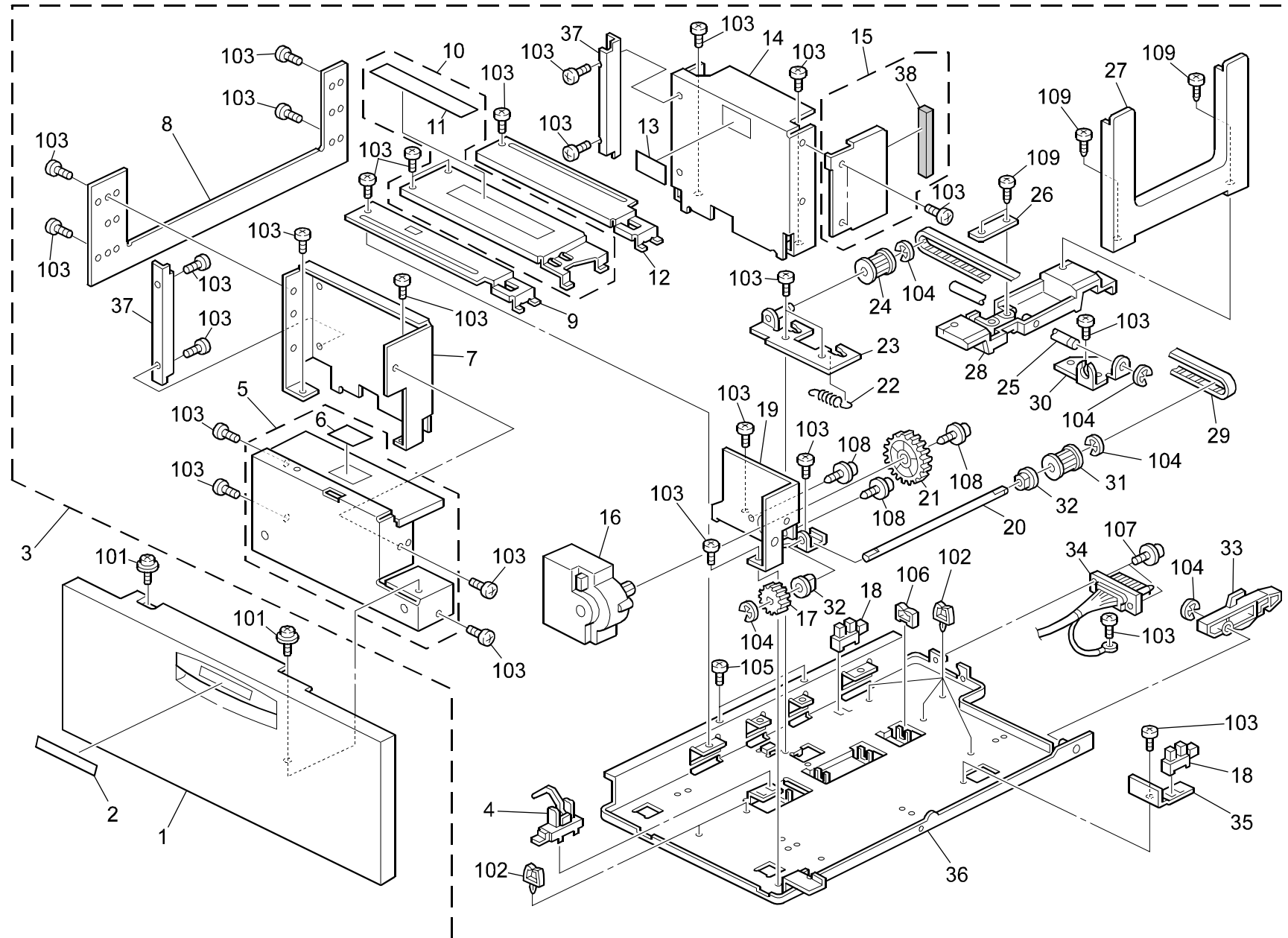


19.BY-PASS FEED SECTION (A292/A293/B098)

Index No.	Part No.	Description	Q'ty Per Assembly
1	A096 2707	Upper Guide - By-pass (A292/A293)	1
1	B098 2707	Guide Plate:Upper:Manual Feed (B098)	1
2	AA02 1025	Magnet Catch	1
3	A293 2708	Cap - By-pass Feed Cover (A292/A293)	1
3	B098 2708	Cap:Cover:Manual Feed (B098)	1
4	A096 2706	By-pass Feed Cover (A292/A293)	1
4	B098 2706	Cover:Manual Feed (B098)	1
5	A053 2770	Holder - Manual Feed Table	1
6	A229 2760	By-pass Feed Table Shaft	1
7	A176 2761	Front Sub Guide (A292/A293)	1
7	B098 2761	Guide:Auxiliary:Front (B098)	1
8	A229 2866	Front Side Fence (A292/A293)	1
8	B098 2742	Side Fence:Manual Feed:Front (B098)	1
9	A229 2870	Seal - 0.2x16x47	2
10	A176 2771	Rear Sub Guide (A292/A293)	1
10	B098 2771	Guide:Auxiliary:Rear (B098)	1
11	A229 2868	Rear Side Fence (A292/A293)	1
11	B098 2751	Side Fence:Manual Feed:Rear (B098)	1
12	A229 2711	By-pass Feed Table (A292/A293)	1
12	B098 2711	Manual Feed Table (B098)	1
13	A096 2780	Feed Guide Gear (A292/A293)	2
13	B098 2780	Rack:Side Fence (B098)	2
14	A096 2782	Size Switch Bracket	1
15	A096 5335	Paper Size Switch	1
16	AB01 3492	Gear - 16Z (A292/A293)	1
16	B098 3492	Gear:Manual Feed Table (B098)	1
17	A053 2773	Holder - Manual Feed Table (A292/A293)	1
17	B098 2773	Shaft:Manual Feed Table (B098)	1
18	A229 2721	By-pass Feed Cover (A292/A293)	1
18	B098 2721	Cover:manual Feed (B098)	1
19	A229 2701	By-pass Feed Table Guide (A292/A293)	1
19	B098 2701	Guide:Paper:Manual Feed Table (B098)	1
20	A229 2708	By-pass Feed Table Ass'y (A292/A293)	1
20	B098 2710	Manual Feed Table:Ass'y (B098)	1
21	A229 2745	By-pass Feed Table Stay	1

Index No.	Part No.	Description	Q'ty Per Assembly
101	0314 0060B	Philips Pan Head Screw - M4x6	
102	0451 4006B	Tapping Screw - 4x6	
103	0451 4008B	Philips Tapping Screw - M4x8	
104	0313 0060B	Philips Pan Head Screw - M3x8	
105	0450 3008B	Tapping Screw - M3x8	
106	0452 3008Z	Bind Tapping Screw - M3x8	
107	0573 0040E	Hexagon Headless Set Screw - M3x4	

20.TANDEM LCT 1 (A292/A293/B098)

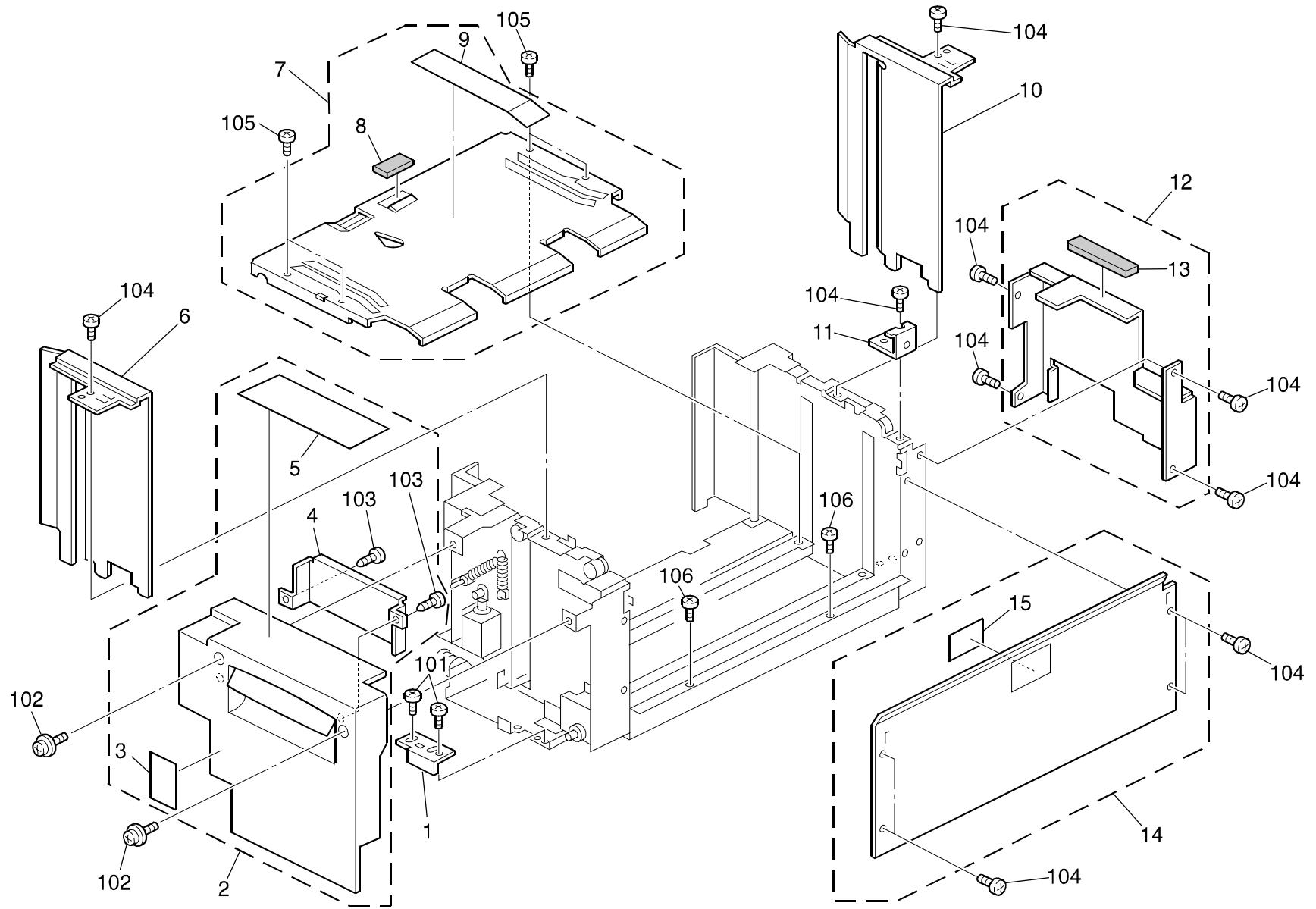


20.TANDEM LCT 1 (A292/A293/B098)

Index No.	Part No.	Description	Q'ty Per Assembly
1	A248 6804	Tandem LCT Cover (A292/A293)	1
1	B098 6804	Cover:Tandem LCT (B098)	1
2	AA00 2237	Decal - Paper Tray No1 (A292/A293)	1
2	AA00 3201	Decal:Cover:Paper Tray:No.1 (B098)	1
3	A293 6609	Left Tandem LCT (A292/A293)	1
3	A293 6612	Left Tandem LCT - A4 (A292/A293)	1
3	B098 6609	Tandem LCT:Left:Ass'y (B098)	1
3	B098 6612	Tandem LCT:Left:EU:Ass'y (B098)	1
4	AW02 0008	Photointerruptor	1
5	A248 6632	Bracket - Tandem LCT Cover (A292/A293)	1
5	B098 6632	Bracket:Cover:Tandem LCT:Ass'y (B098)	1
6	AA00 2244	Decal - Paper Set - Left	1
7	A293 6643	Front Left Side Fence - Tandem LCT (A292/A293)	1
7	B098 6643	Side Fence:Tandem LCT:Left Front (B098)	1
8	A248 6645	Side Plate - Left (A292/A293)	1
8	B098 6645	Side Plate:Tandem LCT:Left Sideways (B098)	1
9	A293 6640	Tray Bottom Plate - Left Front (A292/A293)	1
9	B098 6640	Tray Bottom Plate:Left Front (B098)	1
10	A248 6639	Tray Bottom Plate - Left Middle (A292/A293)	1
10	B098 6639	Tray Bottom Plate:Left Middle:Ass'y (B098)	1
11	A096 6678	Decal - Left Paper Set	1
12	A293 6642	Tray Bottom Plate - Left Rear (A292/A293)	1
12	B098 6642	Tray Bottom Plate:Left Rear (B098)	1
13	AA00 2010	Decal - Paper Level	1
14	A293 6644	Rear Left Side Fence - Tandem LCT (A292/A293)	1
14	B098 6644	Side Fence:Tandem LCT:Left Rear (B098)	1
15	A293 6646	Rear Cover - Tandem LCT (A292/A293)	1
15	B098 6649	Cover:Rear:Tandem LCT:Ass'y (B098)	1
16	AX04 0107	DC Motor - 19.2W	1
17	AB01 3798	Gear - Z18	1

Index No.	Part No.	Description	Q'ty Per Assembly
18	AW02 0056	Photointerruptor - EE-SX4235A-P1	2
19	A248 6636	DC Motor Bracket	1
20	AA14 0686	Shaft - Timing Pulley	1
21	AB01 9475	Gear - 48T	1
22	AA06 0759	Tension Spring	1
23	A248 6616	Bracket - Driven Pulley	1
24	AB03 3085	Timing Pulley - 15T Driven	1
25	AA14 0685	Shaft - Back Fence Slider	1
26	A248 6627	Timing Belt Cover	1
27	A248 6624	Left Back Fence	1
28	A248 6623	Slider - Left Back Fence	1
29	AA04 3271	Timing Belt S3M 196T	1
30	A248 6619	Bracket - Drive Pulley	1
31	AB03 3084	Timing Pulley - 15T - Drive	1
32	5053 0447	Bushing - 6mm	2
33	A248 6615	Coupling Lever - Left	1
34	A247 5428	DC Harness - Left	1
35	A293 6620	Sensor Bracket	1
36	A248 6618	Base - Left Tandem LCT (A292/A293)	1
36	B065 6827	Tandem LCT Base (B098)	1
37	A293 6647	Support Bracket - End Fence (A292/A293)	2
37	B098 6647	End Fence:Auxiliary (B098)	1
38	A293 6649	Rear Cover Cushion - Tandem LCT	1
101	0951 4008B	Philips Screw With Washer - M4x8	
102	1105 0230	Clamp	
103	0434 0060B	Pan Head Self-tapping Screw - M4x6	
104	0720 0040B	Retaining Ring - M4	
105	0801 0146	Screw - M4X4	
106	1105 0328	Harness Clamp - ES-0505	
107	0313 0080B	Philips Pan Head Screw - M3x8	
108	0965 3008W	Tapping Screw With Flat Washer - M3x8	
109	0452 4008B	Binding Self Tapping Screw - M4x8	

21.TANDEM LCT 2 (A292/A293/B098)

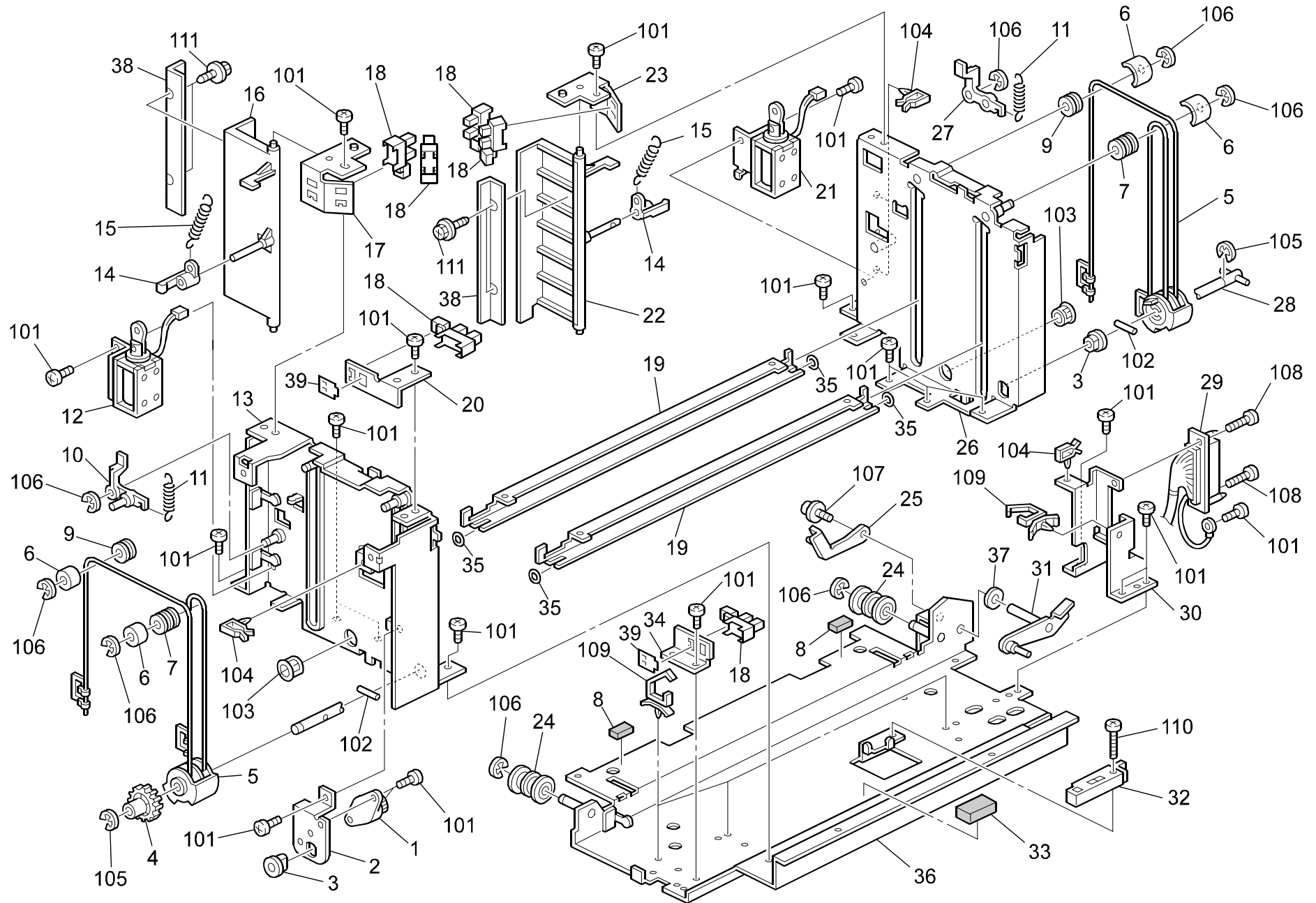


21.TANDEM LCT 2 (A292/A293/B098)

Index No.	Part No.	Description	Q'ty Per Assembly
*	A293 6607	Right Tandem LCT - A4 (A292/A293)	1
*	A293 6608	Right Tandem LCT - LT (A292/A293)	1
*	B098 6608	Tandem LCT:Right:Ass'y (B098)	1
*	B098 6607	Tandem LCT:Right:EU:Ass'y (B098)	1
1	A248 6659	Right Stopper	1
2	A248 6744	Inner Cover - Tandem LCT (A292/A293)	1
2	B098 6744	Inner Cover:Tandem LCT:Ass'y (B098)	1
3	AA00 2246	Decal - Caution	1
4	A248 6741	Protection - Inner Cover	1
5	AA00 2245	Decal - Paper Set - Right (A292/A293)	1
5	AA00 2260	Decal:Paper Set:Tandem Tray(B098)	1
6	A293 6736	Side Fence - Right Front (A292/A293)	1
6	B098 6736	Side Fence:Tandem Lct:Right Front (B098)	1
7	A294 6670	Base - Right Tandem Tray (A292/A293)	1
7	B098 6670	Base:Tandem LCT:Right:Ass'y (B098)	1
8	5201 2858	Friction Pad	1
9	A096 6677	Decal - Right Paper Set	1
10	A248 6738	Side Fence - Right Rear (A292/A293)	1
10	B098 6738	Side Fence:Tandem LCT:Right Rear (B098)	1
11	A176 6695	Misfeed Removal Guide	1
12	A293 6739	Inner Cover - Right Rear (A292/A293)	1
12	B098 6739	Supporting Plate:Tandem:Right Rear (B098)	1
13	AA15 3063	Seal - 4x10x70	1
14	A248 6666	Side Plate (A292/A293)	1
14	B098 6666	Side Plate:Side:Ass'y (B098)	1
15	AA00 2010	Decal - Paper Level	1
16	AA15 3138	Inner Cover Cushion - Right Rear (Not Shown)	1

Index No.	Part No.	Description	Q'ty Per Assembly
101	0314 0060B	Philips Pan Head Screw - M4x6	
102	0951 4008B	Philips Screw With Washer - M4x8	
103	0452 4008B	Binding Self Tapping Screw - M4x8	
104	0434 0060B	Pan Head Self-tapping Screw - M4x6	
105	0951 4006B	Philips Screw With Washer - M4x6	
106	0801 0146	Screw - M4X4	

22.TANDEM LCT 3 (A292/A293/B098)



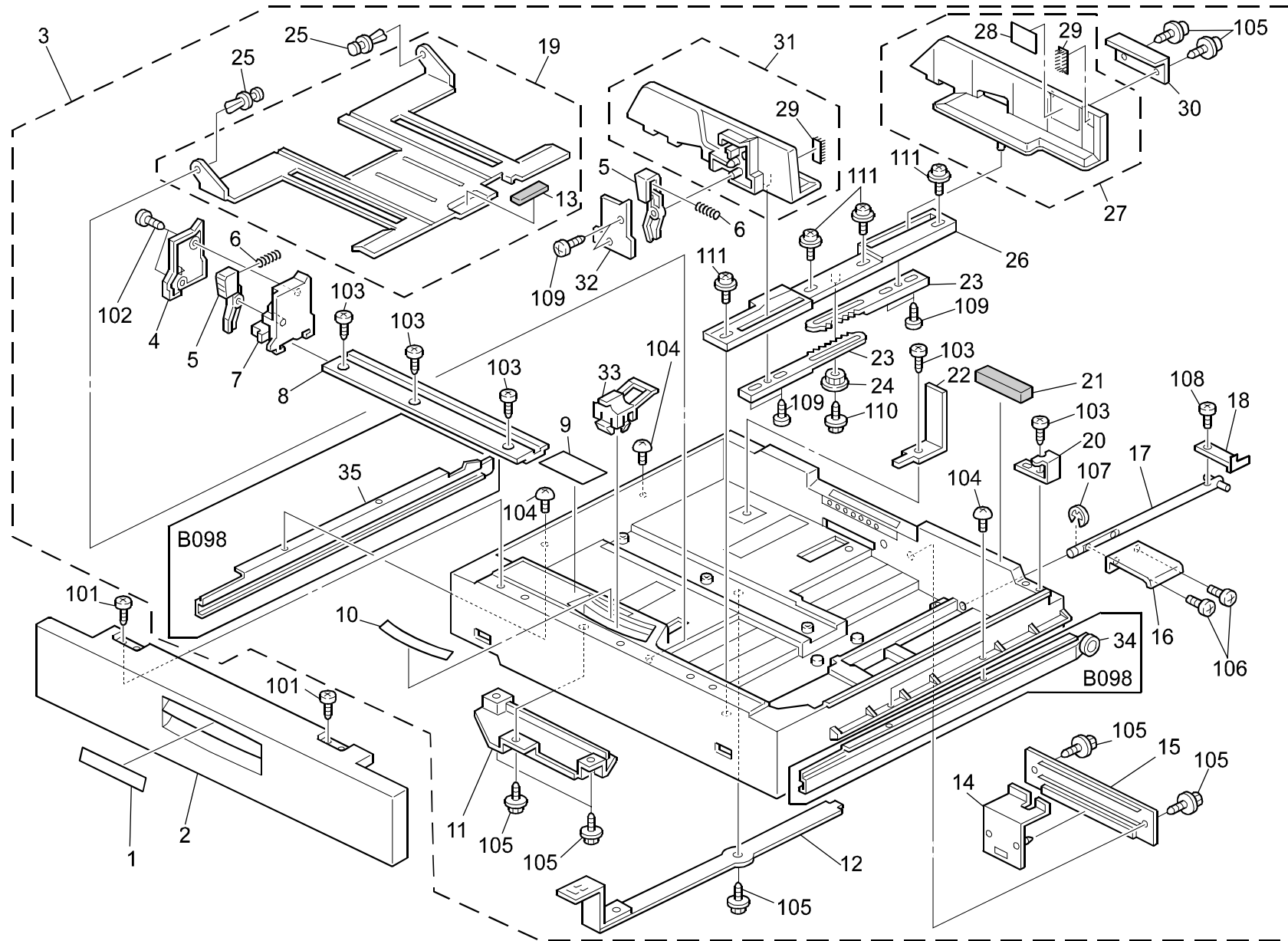
22.TANDEM LCT 3 (A292/A293/B098)

Rev. 03/25/2003

Index No.	Part No.	Description	Q'ty Per Assembly
1	A248 6701	Oil Damper	1
2	A248 6703	Bracket - Oil Damper	1
3	5053 0223	Bushing - 8mm	2
4	AB01 3781	Gear - 30Z	1
5	A248 6684	Pulley Drive Were Ass'y	2
6	A248 6695	Guide - Pulley	4
7	AB03 2719	Pulley - M10	2
8	AA16 1130	Cushion - Small	2
9	AB03 2058	Wire Pulley - M10	2
10	A248 6717	Front Release Lever	1
11	AA06 0757	Tension Spring - Long	2
12	A248 6714	DC Solenoid - Front End Fence	1
13	A248 6674	Side Plate - Front Right (A292/A293)	1
13	B065 6710	Front Right Side Plate (B098)	1
14	A248 6713	Hook - Tension Sprong	2
15	AA06 0758	Tension Spring - Short	2
16	A293 6713	Front End Fence	1
17	A248 6720	Front Bracket - On/Off Detection	1
18	AW02 0056	Photointerruptor - EE-SX4235A-P1	6
19	A248 6682	Stay - Right Base	2
20	A248 6708	Bracket - Paper Volume Sensor	1
21	A248 6727	DC Solenoid - Rear End Fence	1
22	A293 6714	Rear End Fence	1
23	A248 6733	Rear Bracket On/Off Detection	1
24	AF02 2105	Roller - Slide Rail	2
25	A248 6753	Lever - Small	1
26	A248 6678	Side Plate - Right Rear (A292/A293)	1
26	B065 6811	Side Plate - Right Rear (B098)	1
27	A248 6730	Rear Release Lever	1
28	A248 6687	Right Drive Shaft	1
29	A247 5429	DC Harness - Right	1
30	A248 6743	Connector Bracket	1
31	A248 6746	Lever - Large	1
32	A010 5700	Sensor	1
33	AA16 1129	Cushion - Large	1

Index No.	Part No.	Description	Q'ty Per Assembly
34	A248 6706	Sensor Bracket	1
35	A248 6694	Spaser Ring	4
36	A248 6655	Right Base - Tandem LCT (A292/A293)	1
36	B065 6851	Right Base - Tandem LCT (B098)	1
37	AA13 2203	Spacer - 6mm	1
38	B065 6712	End Fence Guide (A292/A293)	2
38	B098 6712	End Fence:Guide:A4 (B098)	2
39	A267 1820	Sheet - Photointerrupter	2
101	0434 0060B	Pan Head Self-Tapping Screw - M4x6	
102	0633 0200G	Pin - M3x20	
103	1106 0411	Bushing - 11.5mm	
104	1105 0267	Harness Clamp - YMC-10-0	
105	0720 0060B	Retaining Ring - M6	
106	0720 0040B	Retaining Ring - M4	
107	0951 3006B	Philips Screw With Flat Washer - M3x6	
108	0313 0080B	Philips Pan Head Screw - M3x8	
109	1105 0291	Harness Clamp - LWS-3S	
110	0313 0120B	Philips Pan Head Screw - M3x12	
111	0452 3006B	Tapping Screw - M3x6	

23. UNIVERSAL TRAY (A292/A293/B098)



23. UNIVERSAL TRAY (A292/A293/B098)

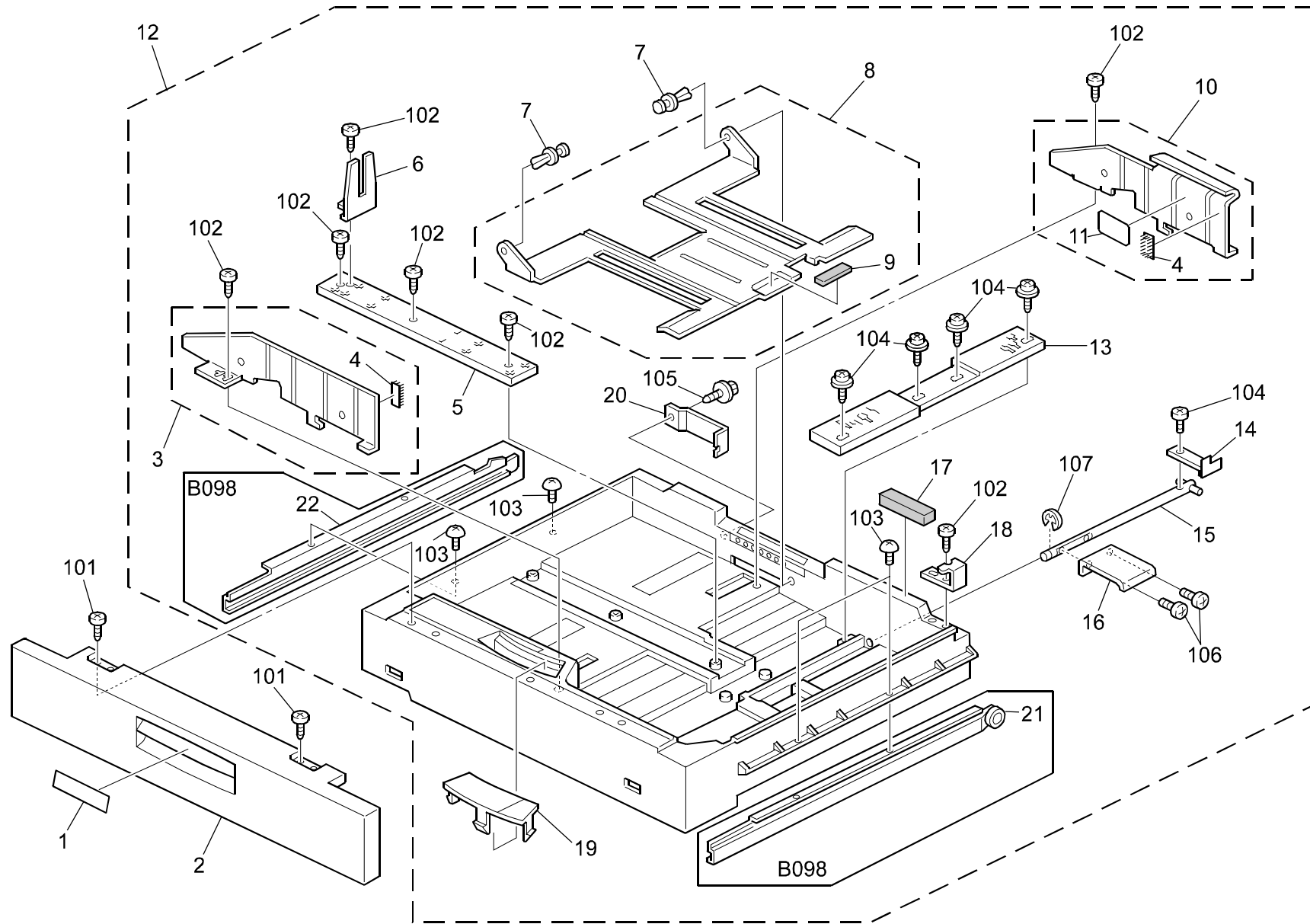
Index No.	Part No.	Description	Q'ty Per Assembly
1	AA00 2238	Decal - Cover No.2 (A292/A293)	1
1	AA00 3202	Decal:Cover:Paper Tray:No.2 (B098)	1
2	A229 6589	Paper Tray Front Cover (A292/A293)	1
2	B098 6589	Cover:Paper Tray:Short (B098)	1
3	A293 6517	Universal Tray - LT (A292/A293)	1
3	A293 6518	Universal Tray - A4 (A292/A293)	1
3	B098 6517	Paper Tray:Universal:NA:Ass'y (B098)	1
3	B098 6518	Paper Tray:Universal:EU:Ass'y (B098)	1
4	A096 6563	End Fence Cover (A292/A293)	1
4	B098 6563	Cover:End Fence:Universal (B098)	1
5	A096 6537	Stopper Lever (A292/A293)	2
5	B098 6537	Lever:Stopper:Positioning (B098)	2
6	AA06 6551	Stopper Spring - 24mm	2
7	A096 6562	End Fence (A292/A293)	1
7	B098 6562	End Fence:Universal (B098)	1
8	A096 6564	End Fence Plate (A292/A293)	1
8	B098 6564	Positioning Plate:End Fence (B098)	1
9	AA00 0213	Decal - Universal Tray (A292/A293)	1
9	AA00 2261	Decal - Universal Tray (B098)	1
10	AA00 2251	Paper Size Decal - LT (A292/A293)	1
10	AA00 2252	Paper Size Decal - A4 (A292/A293)	1
10	B098 6539	Decal:Paper Size Sensor:NA (B098)	1
10	AA00 2259	Decal:Paper Size Sensor:EU (B098)	1
11	A293 6579	Link Guide	1
12	A293 6576	Link - Paper Size Lever	1
13	AF01 3005	Bottom Plate Pad	2
14	A293 6571	Actuator - Paper Size Switch (A292/A293)	1
14	B098 6574	Paper Size Sensor Board:Ass'y (B098)	1
15	A293 6574	Actuator Guide	1
16	A096 6526	Lift Lever	1
17	A096 6524	Lift Shaft	1
18	A096 6527	Paper Guide Feeler (A292/A293)	1
18	B098 6527	Paper Guide Feeler (B098)	1
19	A229 6556	Tray Bottom Plate (A292/A293)	1
19	B098 6557	Tray Bottom Plate (B098)	1

Index No.	Part No.	Description	Q'ty Per Assembly
20	A176 6695	Misfeed Removal Guide (A292/A293)	1
20	B098 6695	Guide: Misfeed Removal: Paper Tray (B098)	1
21	AA15 3004	Paper Guide Seal - 3	1
22	AF01 6079	Left Rear Side Fence (A292/A293)	1
22	B098 6079	Side Fence: Left Rear (B098)	1
23	AB01 4132	Side Fence Gear	2
24	AB01 4094	Side Fence Gear	1
25	A048 2838	Nylon Rivet	2
26	A229 6544	Side Fence Plate - A4 (A292/A293)	1
26	A229 6545	Side Fence Plate - LT (A292/A293)	1
26	A293 6545	Positioning Plate - LT (B098)	1
26	A293 6544	Positioning Plate - A4 (B098)	1
27	A229 6541	Gear Side Fence	1
28	AA00 2010	Decal - Paper Level	4
29	A096 6553	Side Fence Pad	2
30	A176 6570	Paper Stopper (A292/A293)	1
30	B098 6570	Paper Stopper: Side Fence (B098)	1
31	A229 6534	Front Side Fence	1
32	A096 6536	Side Fence Cover (A292/A293)	1
32	B098 6536	Cover: Side Fence: Universal: Front (B098)	1
33	A293 6585	Paper Size Sensor Slider	1
34	B098 6275	Stay: Paper Tray: Right: Ass'y (B098)	1
35	B098 6285	Stay: Paper Tray: Left: Ass'y (B098)	1

Index No.	Part No.	Description	Q'ty Per Assembly
101	0452 4008B	Binding Self Tapping Screw - M4x8	
102	0413 0082B	Tapping Screw - M3x8	
103	0414 0082B	Binding Self Tapping Screw - M4x8	
104	0344 0050F	Philips Truss Head Screw - M4x5 (A292/A293)	
104	0801 0192	Bind Screw - M4x8 (B098)	
105	0450 4008B	Tapping Screw - 4x8	
106	0314 0060B	Philips Pan Head Screw - M4x6	
107	0720 0060B	Retaining Ring - M6	
108	0313 0060B	Philips Pan Head Screw - M3x6	
109	0452 3008B	Tapping Screw - M3x8	
110	0450 3006B	Tapping Screw - M3x6	
111	0951 3008B	Philips Screw With Flat Washer - M3x8	

Index No.	Part No.	Description	Q'ty Per Assembly

24.PAPER TRAY (A292/A293/B098)

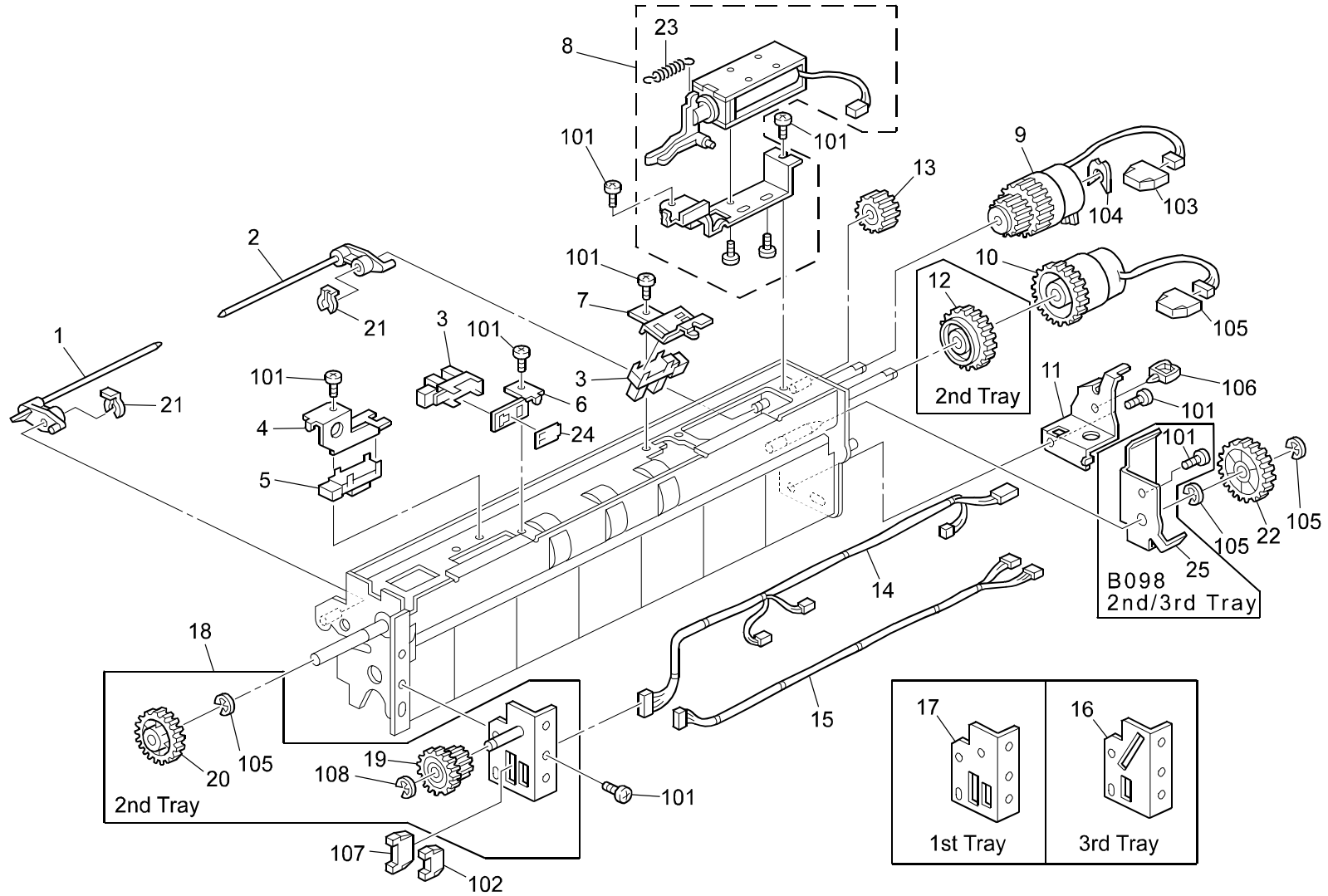


24.PAPER TRAY (A292/A293/B098)

Index No.	Part No.	Description	Q'ty Per Assembly
1	AA00 2239	Decal - Cover No.3 (A292/A293)	1
1	AA00 3203	Decal:Cover:Paper Tray:No.3 (B098)	1
2	A229 6589	Paper Tray Front Cover (A292/A293)	1
2	A229 6620	Tandem Tray Front Cover (A292/A293)	1
2	B098 6620	Cover:Paper Tray:Long (B098)	1
3	A176 6549	Front Side Fence Ass'y (A292/A293)	1
3	B098 6549	Side Fence:Fix:Front:Ass'y (B098)	1
4	A096 6554	Side Fence Pad	2
5	A096 6568	Position Plate - End Fence (A292/A293)	1
5	B098 6568	Positioning Plate:End Fence:Fix (B098)	1
6	AF01 7021	End Fence (A292/A293)	1
6	AF01 7031	End Fence:Fix (B098)	1
7	A048 2838	Nylon Rivet	2
8	A096 6556	Tray Bottom Plate (A292/A293)	1
8	B098 6556	Tray Bottom Plate (B098)	1
9	AF01 3005	Bottom Plate Pad	1
10	A176 6550	Rear Side Fence Ass'y (A292/A293)	1
10	B098 6550	Side Fence:Fix:Rear:Ass'y (B098)	1
11	AA00 2010	Decal - Paper Level	1
12	A248 6515	Paper Tray - DLT (A292/A293)	1
12	A176 6515	Paper Tray - A3 (A292/A293)	1
12	B098 6515	Paper Tray:Fix:DLT:Ass'y (B098)	1
12	B098 6516	Paper Tray:Fix:A3:Ass'y (B098)	1
13	A096 6551	Position Plate - Side Fence (A292/A293)	1
13	B098 6551	Positioning Plate:Side Fence:Fix (B098)	1
14	A096 6527	Paper Guide Feeler (A292/A293)	1
14	B098 6527	Paper Guide Feeler (B098)	1
15	A096 6524	Lift Shaft	1
16	A096 6526	Lift Lever	1
17	AA15 3005	Paper Guide Seal - 2	1
18	A176 6695	Misfeed Removal Guide	1
19	AF01 0073	Paper Tray Cap	1
20	A293 6580	Set Sensor Bracket - Paper Tray (A292/A293)	1

Index No.	Part No.	Description	Q'ty Per Assembly
20	B098 6580	Bracket:Set Sensor:Paper Tray (B098)	1
21	B098 6275	Stay:Paper Tray:Right:Ass'y (B098)	1
22	B098 6285	Stay:Paper Tray:Left:Ass'y (B098)	1
101	0452 4008B	Binding Self Tapping Screw - M4x8	
102	0414 0082B	Binding Self Tapping Screw - M4x8	
103	0344 0050F	Philips Truss Head Screw - M4x5 (A292/A293)	
103	0801 0192	Bind Screw - M4x8 (B098)	
104	0951 3008B	Philips Screw With Flat Washer - M3x8	
105	0450 4008B	Tapping Screw - 4x8	
106	0314 0080B	Philips Pan Head Screw - M4x8	

25.PAPER FEED SECTION 1 (A292/A293/B098)

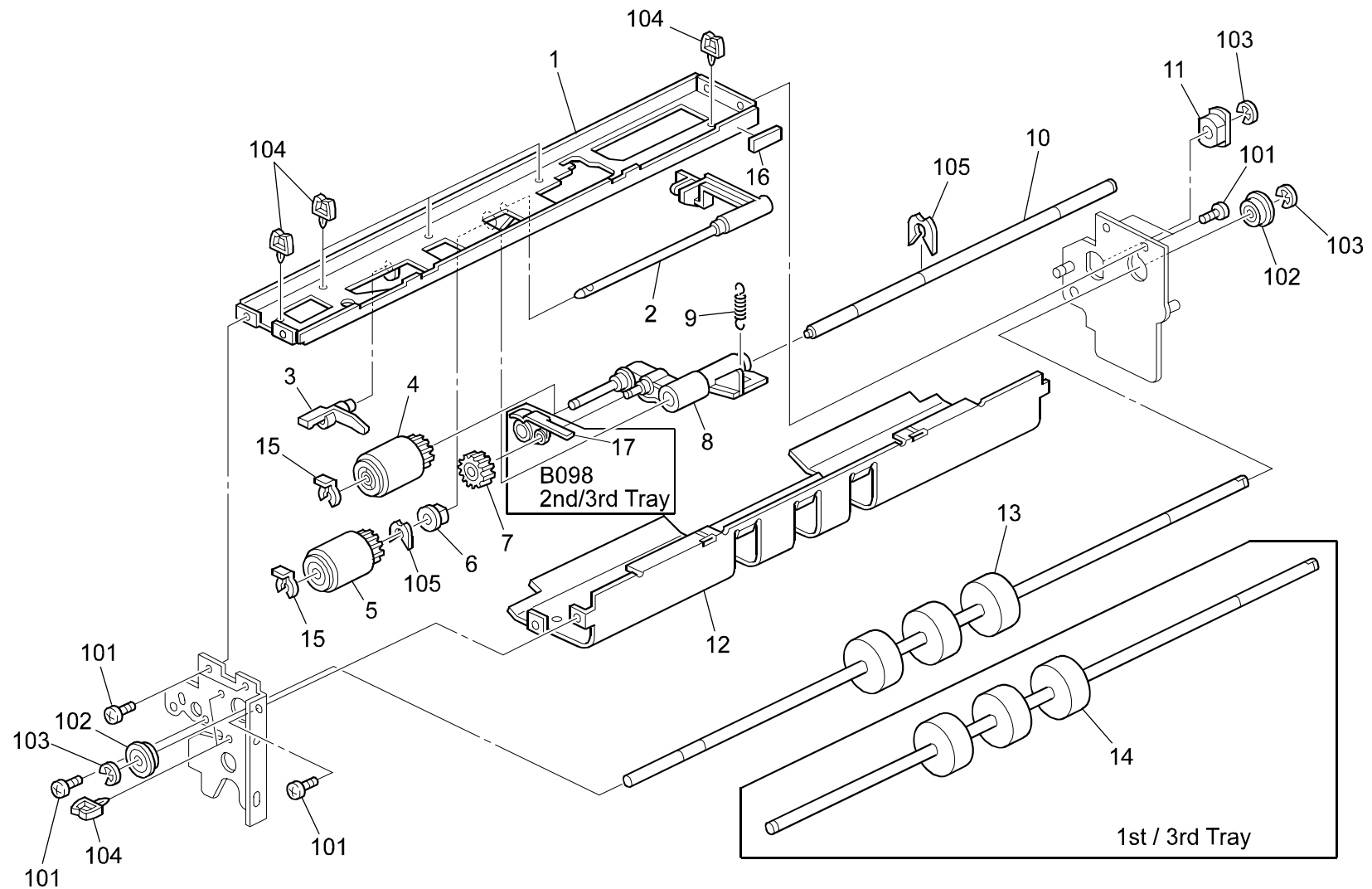


25.PAPER FEED SECTION 1 (A292/A293/B098)

Index No.	Part No.	Description	Q'ty Per Assembly
*	A293 6200	Paper Feed Unit - 2nd/4th Feed (A292/A293)	1
*	A293 6210	Paper Feed Unit - 3rd Feed (A292/A293)	1
*	A293 6220	Paper Feed Unit - 1st Tray (A292/A293)	1
*	B098 6200	Paper Feed Unit:Paper Bank:Ass'y (B098)	1
*	B098 6210	Paper Feed Unit:No.3:Ass'y (B098)	1
*	B098 6220	Paper Feed Unit:No.1:Ass'y (B098)	1
1	A096 6363	Front Paper Flattener	3
2	A096 6360	Paper Flattener	3
3	AW02 0056	Photointerrupter - EE-SX4235A-P1	6
4	A229 6353	Photo Refiection Sensor Bracket	3
5	AW01 0049	Photo Reflection Sensor	3
6	A229 6345	Paper End Sensor Bracket	3
7	A229 6358	Paper Sensor Bracket	3
8	A229 6355	Pick-up Solenoid Ass'y	3
9	AX20 0202	Magnetic Clutch - Feed	3
10	AX20 0147	Magnetic Clutch	3
11	A229 6366	Magnetic Clutch Arm	3
12	AB01 4069	Drive Gear - Misfeed Removal	1
13	AB01 3000	Idler Gear - 18Z	3
14	A229 5497	Upper Harness	3
15	A229 5496	Lower Harness	3
16	A229 6375	Paper Feed Unit Stay - Universal	1
17	A229 6376	Paper Feed Unit Stay - No.1 Ass'y	1
18	A229 6381	Paper Feed Unit Stay Ass'y	1
19	AB01 3780	Gear	1
20	AB01 3778	Gear - 32Z	1
21	5447 2681	Snap Ring	6
22	AB01 3775	Gear - 33Z	3
23	AA06 0577	Release Spring	3
24	A267 1820	Sheet - Photointerrupter	1
25	B098 6333	Cover:Gear:Paper Feed Unit:Rear (B098)	1

Index No.	Part No.	Description	Q'ty Per Assembly
101	0434 0060B	Pan Head Self-tapping Screw - M4x6	
102	1102 6249	Relay Connector - 6P	
103	1102 6259	Connector - 2P	
104	0805 0088	Retaining Ring - M6	
105	0720 0060B	Retaining Ring - M6	
106	1105 0199	Clamp	
107	1102 6254	Connector - 11P	
108	0720 0040B	Retaining Ring - M4	

26.PAPER FEED SECTION 2 (A292/A293/B098)

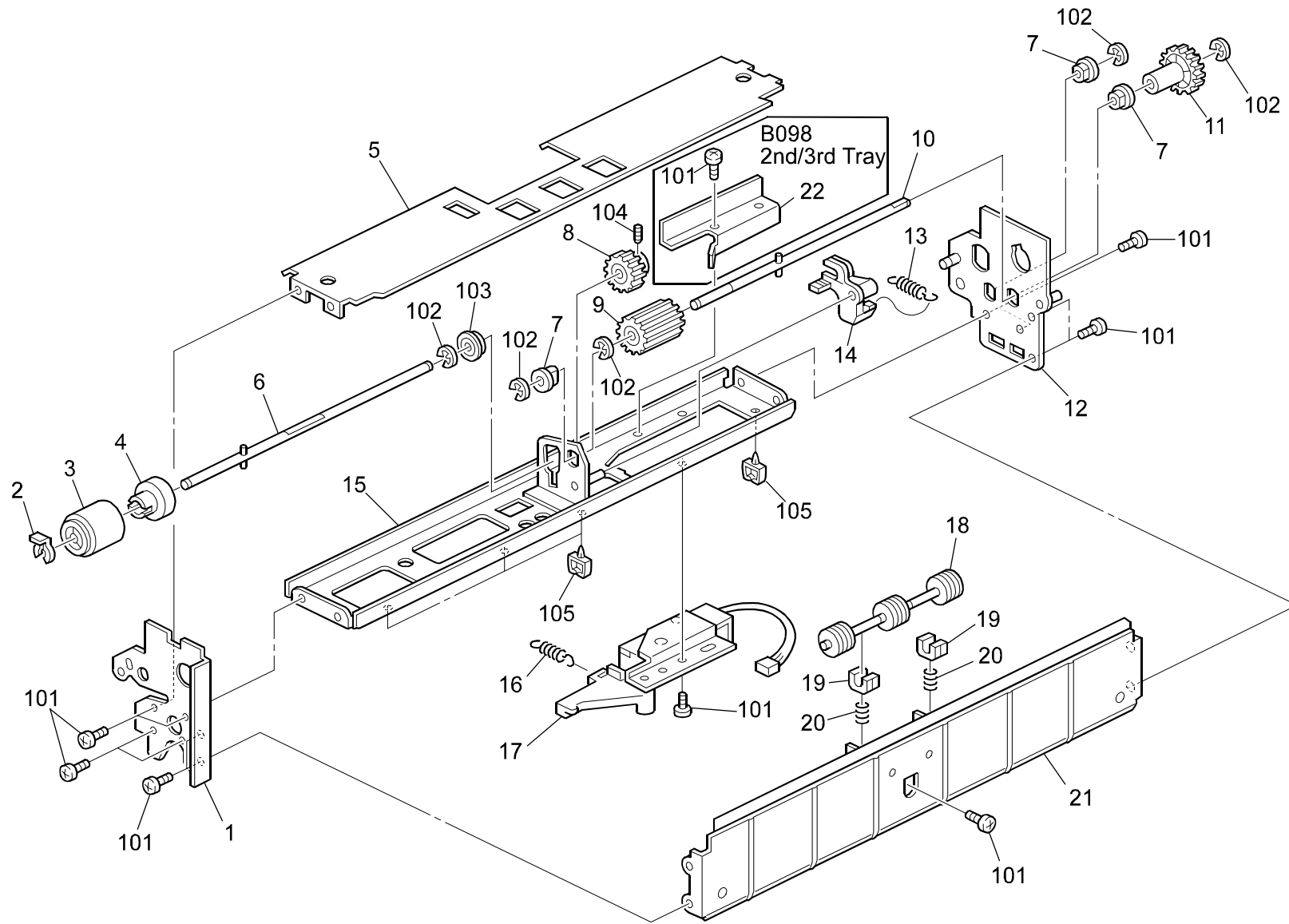


26.PAPER FEED SECTION 2 (A292/A293/B098)

Index No.	Part No.	Description	Q'ty Per Assembly
1	A229 6346	Feed Stay (A292/A293)	3
1	B098 6346	Stay:Feed:Ass'y (B098)	3
2	A229 6362	Paper End Feeler	3
3	A096 6344	Paper End Actuator	3
4	AF03 0040	Pick-up Roller	3
5	AF03 1040	Feed Roller	3
6	AA08 2070	Bushing - 8x16x7	5
7	5447 2706	Gear - 15T	3
8	A134 2860	Pick-up Arm	3
9	AA06 0523	Pick-up Pressure Sping	3
10	AA14 0675	Feed Roller Shaft	3
11	AA08 3009	Clutch Roller - 8x18x11	3
12	A249 6339	Feed Guide Plate (A292/A293)	3
12	B098 6339	Guide Plate:Feed (B098)	3
13	AF02 0426	Drive Transport Roller - LCT	1
14	AF02 0425	Drive Transport Roller - Grip	2
15	5447 2681	Snap Ring	6
16	5442 1924	Exposure Glass Cushion	2
17	B098 6350	Cover:Gear:Paper Feed Roller (B098)	1

Index No.	Part No.	Description	Q'ty Per Assembly
101	0434 0060B	Pan Head Self-tapping Screw - M4x6	
102	0742 3808	Ball Bearing - 8x16x5	
103	0720 0060B	Retaining Ring - M6	
104	1105 0199	Clamp	
105	0805 0088	Retaining Ring - M6	

27.PAPER FEED SECTION 3 (A292/A293/B098)

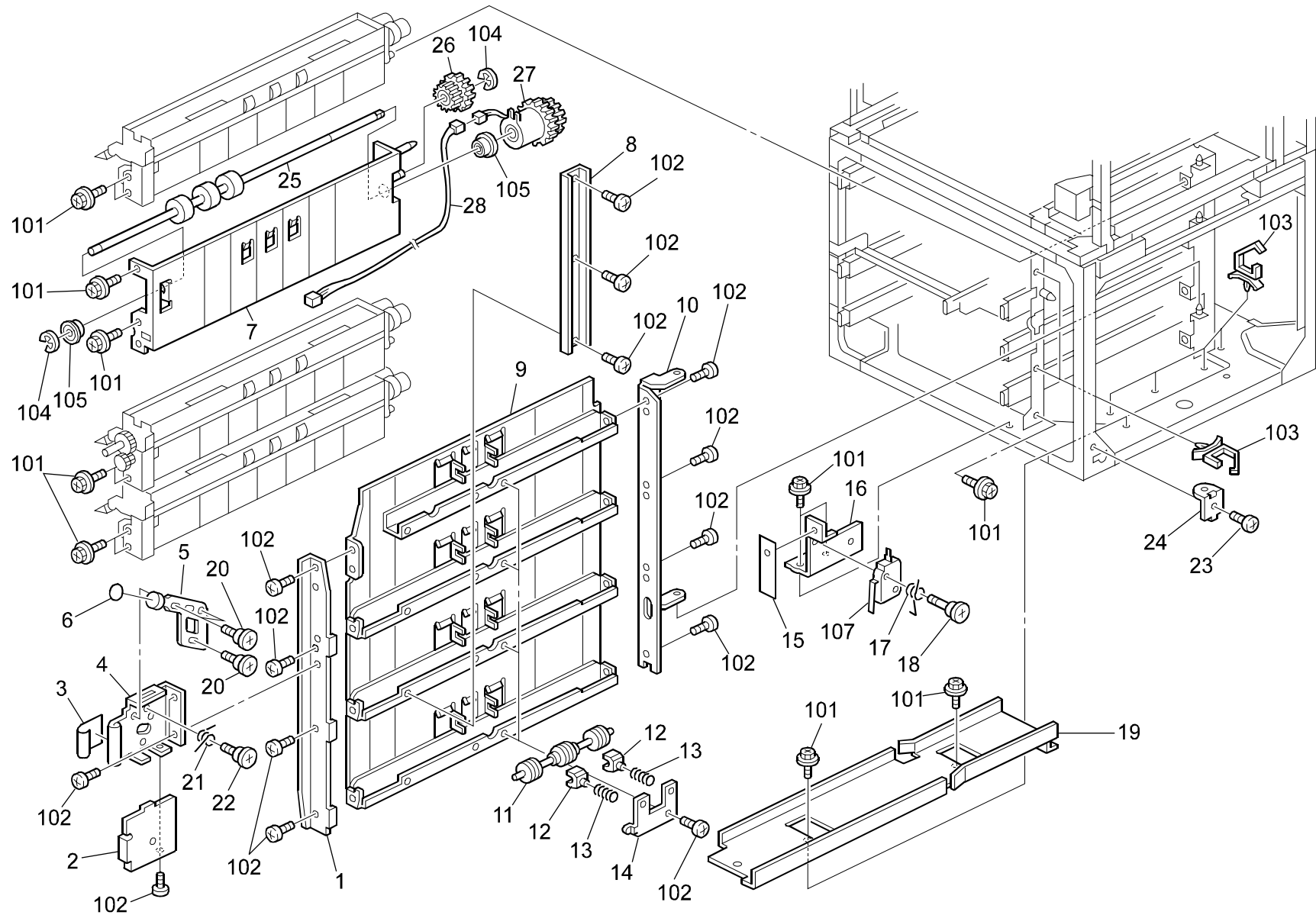


27.PAPER FEED SECTION 3 (A292/A293/B098)

Index No.	Part No.	Description	Q'ty Per Assembly
1	A229 6335	Front Side Plate (A292/A293)	3
1	B098 6335	Side Plate:Front:Ass'y (B098)	3
2	5447 2681	Snap Ring	3
3	AF03 2040	Separation Roller	3
4	A293 6399	Torque Limiter - Separator	3
5	A229 6338	Reverse Guide Plate (A292/A293)	3
5	B098 6338	Guide Plate:Reverse (B098)	3
6	A229 6307	Reverse Driven Shaft	3
7	5053 0447	Bushing - 6mm	9
8	AB01 1391	Driven Reverse Gear - 21Z	3
9	AB01 1392	Drive Reverse Gear - 24Z	3
10	A229 6306	Reverse Drive Shaft	3
11	AB01 3776	Gear - 30Z	3
12	A229 6330	Rear Side Plate (A292/A293)	3
12	B098 6330	Side Plate:Rear:Paper Feed :Ass'y (B098)	3
13	AA06 0636	Pressure Spring	3
14	A229 6309	Reverse Pressure Lever	3
15	A229 6303	Reverse Stay (A292/A293)	3
15	B098 6303	Stay:Reverse:Ass'y (B098)	3
16	AA06 0575	Release Spring	3
17	A229 6315	Reverse DC Solenoid	3
18	AF02 0496	Driven Roller	3
19	AA08 0156	Bushing - M4	6
20	AA06 3487	Spring - 10mm	6
21	A229 6370	Pape Guide Plate (A292/A293)	3
21	B098 6370	Guide Plate:Vertical Transport (B098)	3
22	B098 6310	Cover:Solenoid:Paper Feed:Lower (B098)	1

Index No.	Part No.	Description	Q'ty Per Assembly
101	0434 0060B	Pan Head Self-tapping Screw - M4x6	
102	0720 0040B	Retaining Ring - M4	
103	0805 3145	Ball Bearing - 6x12x4mm	
104	0573 0030E	Hexagon Headless Set Screw - M3x3	
105	1105 0199	Clamp	

28.VERTICAL TRANSPORT SECTION (A292/A293/B098)

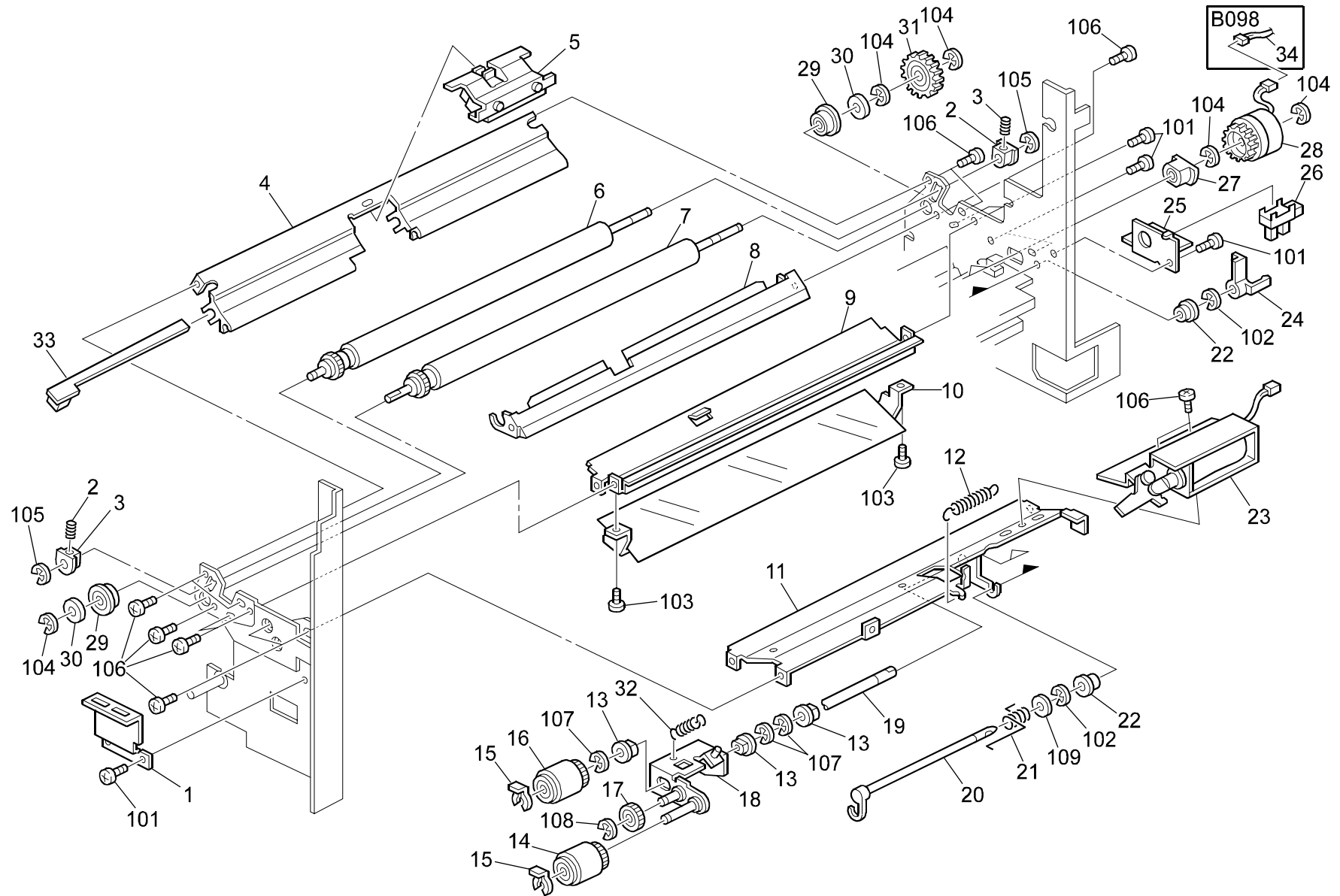


28.VERTICAL TRANSPORT SECTION (A292/A293/B098)

Index No.	Part No.	Description	Q'ty Per Assembly
1	A229 6403	Front Side Plate (A292/A293)	1
1	B098 6403	Side Plate:Front:Vertical Transport (B098)	1
2	A096 6413	Release Lever Cover (A292/A293)	1
2	B098 6413	Cover:Release:Vertical Transport (B098)	1
3	A029 2984	Decal - Grip	1
4	A096 6411	Release Lever Bracket (A292/A293)	1
4	B098 6411	Lever:Release:Vertical Transport (B098)	1
5	A029 2858	Release Lever	1
6	AA00 1326	Decal - A1	1
7	A293 6371	Guide Plate - Paper Feed (A292/A293)	1
7	B098 6374	Guide Plate:Joint Unit:Ass'y (B098)	1
8	A229 6409	Pressure Stay	1
9	A229 6405	Guide Plate - Vertical Transport (A292/A293)	1
9	B098 6405	Guide Plate:Vertical Transport (B098)	1
10	A229 6404	Rear Side Plate	1
11	AF02 0295	Vertical Driven Roller	4
12	AA08 0241	Bushing - M4	8
13	AA06 3487	Spring - 10mm	8
14	A096 6402	Pressure Plate Driven Roller	4
15	A096 5528	Micro Switch Sheet	1
16	A096 5529	Micro Switch Bracket	1
17	A423 4433	Spring	1
18	A423 4432	Shoulder Screw - M2.5	1
19	A096 3710	Collection Tank Guide (A292/A293)	1
19	B065 3695	Bottle Guide (B098)	1
20	5201 1796	Stepped Screw - M4	3
21	5446 2846	Release Spring - Vertical Transport	1
22	5403 6246	Stepped Screw - Cleaning	1
23	AA14 3396	Screw - M4X4	1
24	A229 1344	Hinge Guide Plate - Right Lower	1
25	AF02 0507	Drive Transport Roller	1
26	AB01 4158	Gear - 27/28Z	1
27	AX20 0207	Magnetic Clutch	1
28	A293 5499	Harness - Paper Feed	1

Index No.	Part No.	Description	Q'ty Per Assembly
101	0451 4008B	Philips Tapping Screw - M4x8	
102	0434 0060B	Pan Head Self-tapping Screw - M4x6	
103	1105 0291	Harness Clamp - LWS-3S	
104	0720 0060B	Retaining Ring - M6	
105	0742 3808	Ball Bearing - 8x16x5	
107	1204 2355	Micro Switch - AM51632A531	

29.PAPER RESISTRATION 1 (A292/A293/B098)

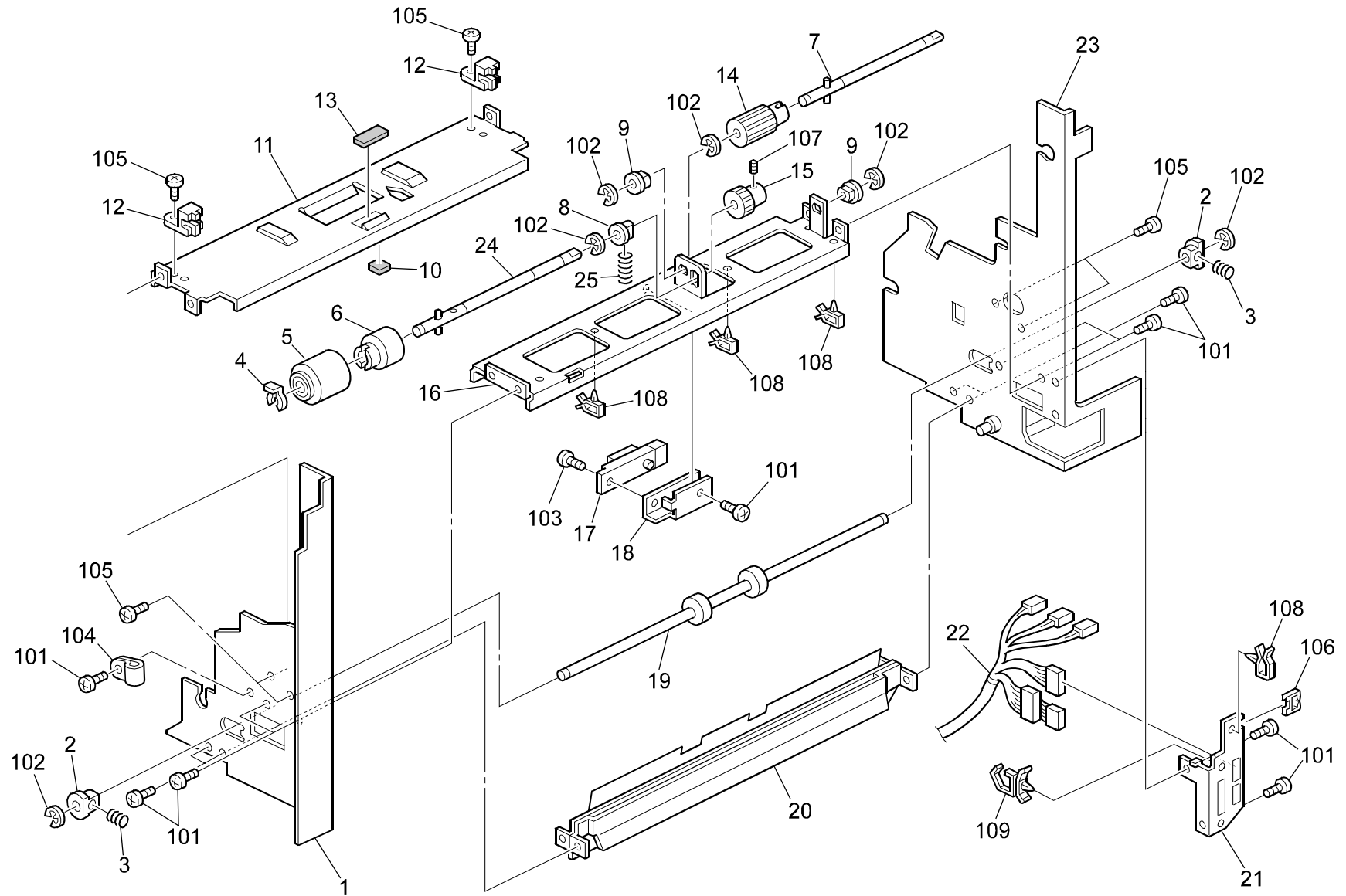


29.PAPER RESISTRATION 1 (A292/A293/B098)

Index No.	Part No.	Description	Q'ty Per Assembly
1	A096 2597	Front Connector Bracket	1
2	5442 2754	Spring - Registration Roller	2
3	5205 2697	Bushing - Upper Registration Roller	2
4	A229 2619	Sensor Board Guide	1
5	A096 2607	Paper Dust Cleaner (A292/A293)	1
5	B098 2607	Cleaner:Remove Paper Dust:Ass'y (B098)	1
6	A294 2616	Registration Roller:Upper	1
7	A294 2617	Registration Roller:Lower	1
8	A096 2612	Lower Registration Guide (A292/A293)	1
8	B098 2612	Guide Plate:Registration:Lower (B098)	1
9	A096 2626	Front Upper Resistration Guide (A292/A293)	1
9	B098 2626	Guide Plate:Regist:Front:Upper (B098)	1
10	A096 2622	Front Lower Registration Guide (A292/A293)	1
10	B098 2622	Guide:Registration:Front:Lower (B098)	1
11	A096 2687	Upper Feed Stay	1
12	AA06 0517	Pick-up Release Spring	1
13	5053 0223	Bushing - 8mm	2
14	AF03 0041	Pick-up Roller - Bypass Feed	1
15	5447 2681	Snap Ring	2
16	AF03 1041	Feed Roller - Bypass Feed	1
17	5447 2706	Gear - 15T	1
18	A096 2690	Pick-up Roller Arm	1
19	AA14 0684	Feed Shaft (A292/A293)	1
19	AA14 0835	Shaft:Feed (B098)	1
20	A096 2697	Paper End Feeler	1
21	AA06 6213	Feeler Spring	1
22	5443 2668	Bushing - 4x6x7mm	2
23	A096 2692	Pick-up Solenoid - By-pass	1
24	A096 2700	Paper End Shutter	1
25	A229 2715	Paper End Sensor Bracket	1
26	AW02 0056	Photointerrupter - EE-SX4235A-P1	1
27	A293 2900	Bushing - Feed Roller Clutch	1
28	AX20 0205	Magnetic Clutch (A292/A293)	1
28	B098 2588	Magnetic Clutch:Manual Feed (B098)	1
29	A247 2800	Ball Bearing - 8x12x5	2

Index No.	Part No.	Description	Q'ty Per Assembly
30	AA13 2025	Spacer - 1x8x12	2
31	AB01 4077	Registration Roller Gear	1
32	AA06 0518	Pick-up Pressure Spring	1
33	A096 5200	Registration Sensor Board	1
34	B098 5250	Harness:Connecting:Manual Feed:CL (B098)	1
101	0434 0060B	Pan Head Self-tapping Screw - M4x6	
102	0720 0030B	Retaining Ring - M3	
103	0313 0060B	Philips Pan Head Screw - M3x6	
104	0720 0060B	Retaining Ring - M6	
105	0720 0040B	Retaining Ring - M4	
106	0314 0060B	Philips Pan Head Screw - M4x6	
107	0720 0060E	Retaining Ring - M6	
108	0720 0050E	Retaining Ring - M5	
109	0701 0040B	Flat Washer - M4	

30.PAPER RESISTRATION 2 (A292/A293/B098)

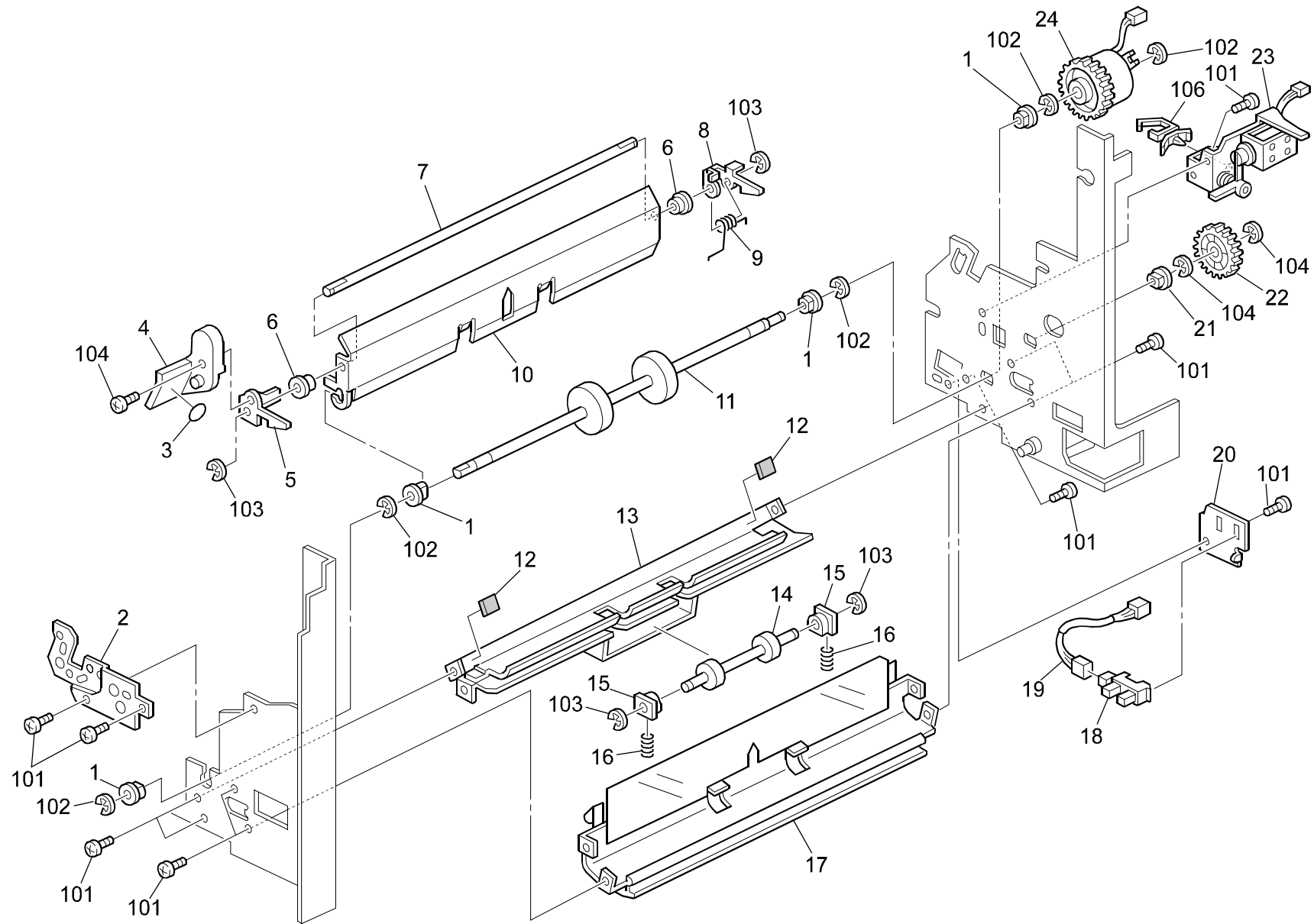


30.PAPER RESISTRATION 2 (A292/A293/B098)

Index No.	Part No.	Description	Q'ty Per Assembly
1	A229 2600	Front Side Plate (A292/A293)	1
1	B098 2600	Side Plate:Paper Feed:Front:Peen (B098)	1
2	5205 2697	Bushing - Upper Registration Roller	2
3	AA06 3254	Driven Roller Spring	2
4	5447 2681	Snap Ring	1
5	AF03 2041	Separation Roller - Bypass Feed	1
6	A293 6399	Torque Limiter - Separator	4
7	A247 2682	Drive Shaft - Separator	1
8	AA08 0037	Bushing - 6mm	1
9	5053 0447	Bushing - 6mm	2
10	A229 2692	Damping Insulation (A292/A293)	1
10	B098 2692	Damping Insulation:Guide Plate (B098)	1
11	A096 2703	Lower Guide - By-pass (A292/A293)	1
11	B098 2703	Guide Plate:Lower:Manual Feed (B098)	1
12	A096 2704	Guide Holder	2
13	A053 2916	Friction Pad - B	1
14	AB01 3773	Gear - 18Z	1
15	AB01 3729	Gear - 18Z	1
16	A096 2682	Separation Roller Bracket	1
17	AW01 0048	Photo Sensor - GP2A28N1	1
18	A229 2750	Sensor Bracket	1
19	AF02 2110	Transport Driven Roller	1
20	A096 2661	Paper Bank Relay Guide (A292/A293)	1
20	B098 2661	Guide Plate:Paper Bank:Connecting (B098)	1
21	A293 2609	Connector Bracket	1
22	A293 5451	Harness - By-pass Feed Unit	1
23	A293 2605	Rear Side Plate (A292/A293)	1
23	B098 2605	Side Plate:Paper Feed:Rear:Ass'y (B098)	1
24	A247 2683	Reverse Roller Shaft	1
25	AA06 3164	Spring - Pressure - Separator	1

Index No.	Part No.	Description	Q'ty Per Assembly
101	0434 0060B	Pan Head Self-tapping Screw - M4x6	
102	0720 0040B	Retaining Ring - M4	
103	0314 0080B	Philips Pan Head Screw - M4x8	
104	1105 0005	Nylon Clamp - 3n	
105	0314 0060B	Philips Pan Head Screw - M4x6	
106	1105 0328	Harness Clamp - ES-0505	
107	0574 0040B	Hexagon Headless Set Screw - M4x4	
108	1105 0087	Clamp	
109	1105 0291	Harness Clamp - LWS-3S	

31.PAPER RESISTRATION 3 (A292/A293/B098)

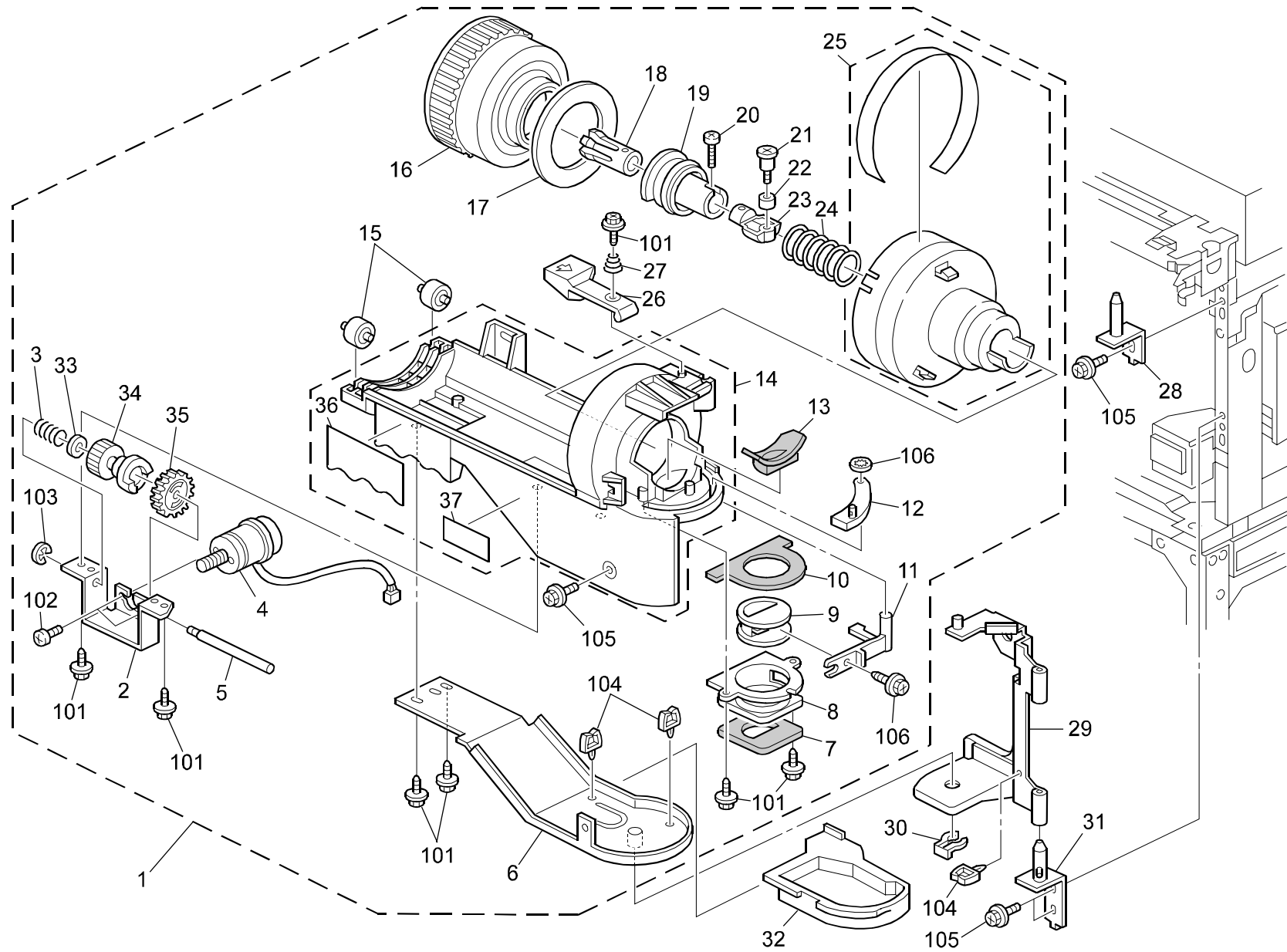


31.PAPER RESISTRATION 3 (A292/A293/B098)

Index No.	Part No.	Description	Q'ty Per Assembly
1	5053 0223	Bushing - 8mm	4
2	A096 2593	Front Support Plate	1
3	AA00 1213	Decal - B2	1
4	A229 2717	Lock Lever	1
5	A096 2633	Front Lock (A292/A293)	1
5	B098 2633	Pawl:Lock:Front (B098)	1
6	5443 2668	Bushing - 4x6x7mm	2
7	AA14 0486	Lock Shaft	1
8	A229 2655	Read Rock (A292/A293)	1
8	B098 2655	Pawl:Lock:Rear (B098)	1
9	AA06 6211	Rear Lock Spring	1
10	A229 2647	Middle Guide Plate (A292/A293)	1
10	B098 2647	Guide Plate:Open And Close:Middle (B098)	1
11	AF02 0422	Drive Transport Roller	1
12	A469 2123	Rubber Cushion - 1x10x10mm	2
13	A096 2672	Duplex Exit Guide (A292/A293)	1
13	B098 2672	Guide Plate:Duplex:Exit:Peen (B098)	1
14	A294 2678	Roller - Duplex Exit	1
15	AA08 0034	Bushing - 4x5x7	2
16	AA06 3255	Exit Roller Spring	2
17	A229 2651	Guide Plate Ass'y (A292/A293)	1
17	B098 2651	Guide Plate:Lct:Ass'y (B098)	1
18	AW02 0056	Photointerrupter - EE-SX4235A-P1	1
19	A096 5432	Duplex Relay Harness	1
20	A229 2719	Sensor Bracket	1
21	5053 0447	Bushing - 6mm	1
22	AB01 1128	Gear - 40Z	1
23	A293 2660	Guide Plate Solenoid (A292/A293)	1
23	B098 2660	DC Solenoid:Guide Plate (B098)	1
24	AX20 0150	Magnetic Clutch - 343mnm	1

Index No.	Part No.	Description	Q'ty Per Assembly
101	0434 0060B	Pan Head Self-tapping Screw - M4x6	
102	0720 0060B	Retaining Ring - M6	
103	0720 0030B	Retaining Ring - M3	
104	0720 0040B	Retaining Ring - M4	
105	0313 0050B	Philips Pan Head Screw - M3x5	
106	1105 0260	Wire Saddle	

32.TONER BOTTLE HOLDER (A292/A293/B098)

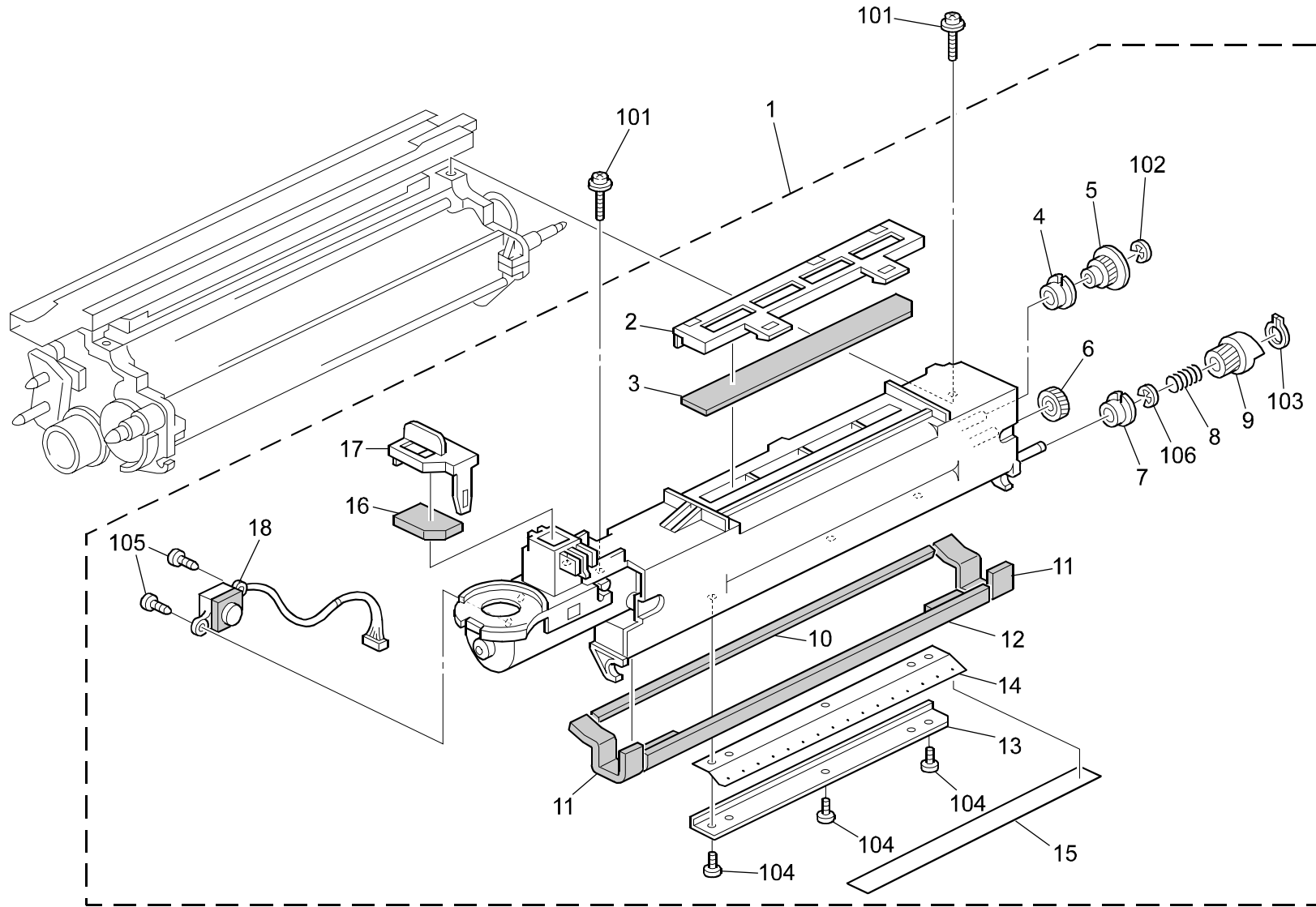


32.TONER BOTTLE HOLDER (A292/A293/B098)

Index No.	Part No.	Description	Q'ty Per Assembly
1	A293 3205	Toner Bottle Holder Ass'y (NRG/SVN/RIC Asia)	1
1	A293 3206	Toner Bottle Holder Ass'y (RIC LT)(A292/A293)	1
1	A293 3207	Toner Bottle Holder Ass'y (RIC EU)(A292/A293)	1
1	A293 3208	Toner Bottle Holder Ass'y (INF)	1
1	A293 3209	Toner Bottle Holder Ass'y (LAN)	1
1	B098 3206	Bottle:Drive:GER:Ass'y (B098)	1
2	A229 3248	Toner Bottle Bracket	1
3	AA06 0291	Spring	1
4	A229 3240	DC Motor	1
5	AA14 5817	Idler Shaft - Toner Bottle	1
6	A229 3251	Turn Bracket	1
7	A229 3263	Outer Shutter Shield	1
8	A229 3261	Outer Shutter	1
9	A229 3262	Inner Shutter	1
10	A229 3266	Upper Shutter Shield	1
11	A229 3264	Shutter Lever (A292/A293)	1
11	B098 3264	Lever:Shutter (B098)	1
12	A229 3285	Shutter Cover	1
13	A229 3219	Rubber Bushing - Toner Supply Unit	1
14	B065 3304	Bottle Holder	1
14	A293 3237	Bottle Holder (LAN)	1
15	A096 3224	Bottle Roller (A292/A293)	2
15	B098 3224	Roller:Turn:Bottle (B098)	2
16	A293 3215	Toner Supply Gear (NRG) (A292/A293)	1
16	A293 3217	Toner Bottle Gear (RIC LT) (A292/A293)	1
16	A293 3223	Toner Bottle Gear (RIC A4) (A292/A293)	1
16	A293 3232	Toner Bottle Gear (INF/LAN) (A292/A293)	1
16	B098 3218	Gear:Toner Bottle:GER (B098)	1
17	A293 3234	Shield Plate - Toner Bottle	1
18	A293 3230	Toner Bottle Chuck	1
19	A293 3227	Toner Slider	1
20	A134 3216	Screw	1

Index No.	Part No.	Description	Q'ty Per Assembly
21	AA14 3758	Setepped Screw	1
22	A229 3232	Chuck Roller	1
23	A134 3179	Chuck Shaft	1
24	AA06 3366	Chuck Spring	1
25	A293 3220	Toner Bottle Stopper	1
26	A293 3282	Toner Bottle Pawl	1
27	AA06 3575	Toner Bottle Spring	1
28	A229 3305	Contact Point Stay	1
29	A229 3271	Hinge Bracket	1
30	A222 2724	External Circlip - MM8	1
31	A096 3404	Lower Hinge	1
32	A229 3258	Toner Catchpan	1
33	AA13 2024	Spacer - M6	8
34	A229 3243	Motor Joint Gear	1
35	A229 3242	Toner Bottle Joint Gear	1
36	AA00 1394	Decal - Toner Supply	1
37	A293 3238	Decal:Toner Bottle (LAN)	1
101	0450 3008B	Tapping Screw - M3x8	
102	0800 0072	Philips Pan Head Screw - M2.6x4	
103	0720 0040B	Retaining Ring - M4	
104	1105 0229	Clamp	
105	0451 4008B	Philips Tapping Screw - M4x8	
106	0805 0072	CS Ring	

33.TONER HOPPER UNIT (A292/A293/B098)

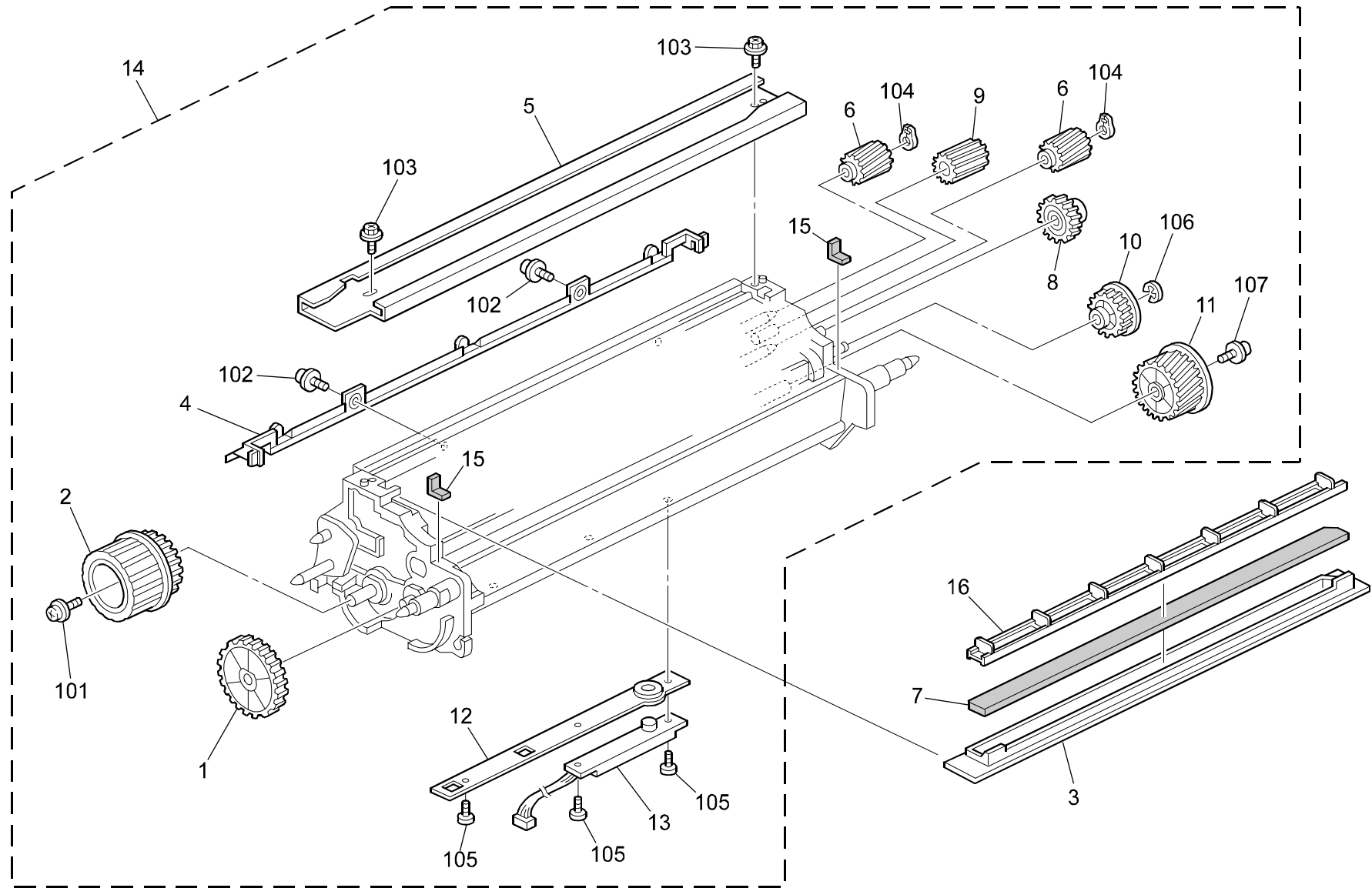


33.TONER HOPPER UNIT (A292/A293/B098)

Index No.	Part No.	Description	Q'ty Per Assembly
1	A293 3150	Toner Supply Unit (A292/A293)	1
1	B098 3150	Toner Supply Unit:Ass'y (B098)	1
2	A229 3183	Filter Middle Holder (A292/A293)	1
2	B098 3183	Holder:Filter:Middle (B098)	1
3	AA01 2104	Air Filter - Large	1
4	A096 3176	Bushing - 6x12x8.5	1
5	AB01 3749	Gear - 15Z	1
6	AB01 3747	Gear - 16Z	1
7	A096 3175	Bushing 8x14x8	1
8	AA06 0291	Spring	2
9	AB01 3748	Joint Gear - 15Z	1
10	AA15 1794	Seal - 3x5x322	1
11	AA15 1792	Seal - 3x15x85	2
12	A294 3237	Seal - 33x324x4	1
13	A247 3123	Plate Nut - Slitter	1
14	A096 3181	Slitter	1
15	AA15 0361	Slitter Cover Seal	1
16	AA01 2105	Air Dust Filter - Small	1
17	A229 3184	Filter Front Holder (A292/A293)	1
17	B098 3184	Holder:Filter:Front (B098)	1
18	AW31 0003	Toner End Sensor	1

Index No.	Part No.	Description	Q'ty Per Assembly
101	0951 4006B	Philips Screw With Washer - M4x6	
102	0720 0040B	Retaining Ring - M4	
103	0727 0060B	Retaining Ring C - 6	
104	0451 4006B	Tapping Screw - 4x6	
105	0452 3008W	Binding Self Tapping Screw - M3 X 8	
106	0720 0060B	Retaining Ring - M6	

34.DEVELOPMENT UNIT 1 (A292/A293/B098)

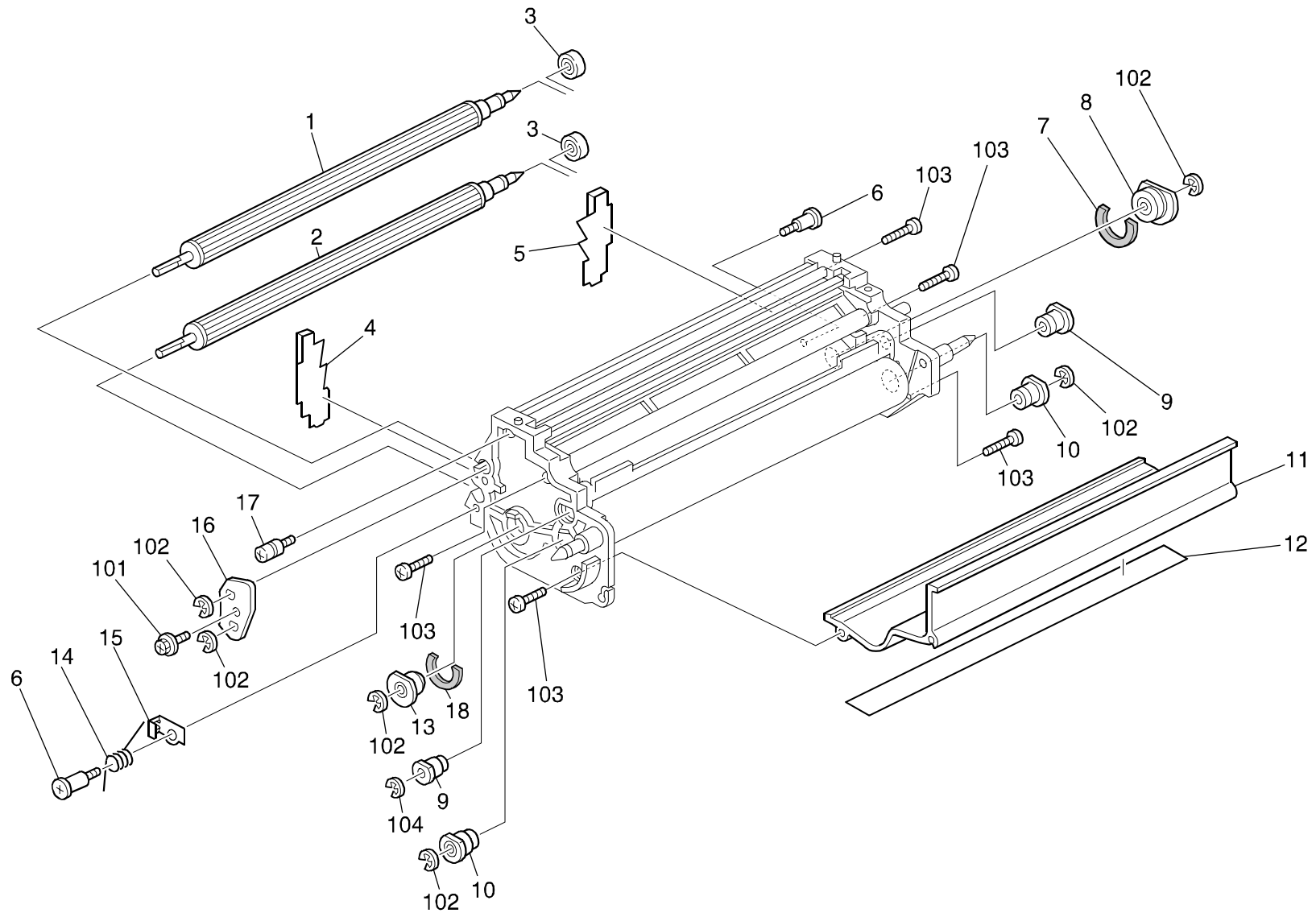


34.DEVELOPMENT UNIT 1 (A292/A293/B098)

Index No.	Part No.	Description	Q'ty Per Assembly
1	AB01 3785	Gear - 43Z	1
2	A293 3075	Development Knob	1
3	A096 3141	Development Filter Case	1
4	A229 3091	Entrance Seal	1
5	A096 3104	Development Guide Rail	1
6	A247 3081	Gear - 17Z	2
7	AA01 2060	Development Filter	1
8	AB01 3788	Gear - 23Z	1
9	AB01 3786	Gear - 18Z	1
10	AB01 3790	Gear - 25Z	1
11	A247 3074	Gear - 34Z	1
12	A096 3059	Toner Sensor Guide	1
13	AW23 0006	Toner Density Sensor	1
14	A293 3050	Development Unit	1
15	AA15 3099	Lower Side Plate Seal	2
16	B065 3108	Filter Plate (B098)	1

Index No.	Part No.	Description	Q'ty Per Assembly
101	0951 3006B	Philips Screw With Flat Washer - M3x6	
102	0951 4008B	Philips Screw With Washer - M4x8	
103	0450 4008B	Tapping Screw - 4x8	
104	0727 0090E	Retaining Ring C - M9	
105	0313 0050B	Philips Pan Head Screw - M3x5	
106	0720 0030B	Retaining Ring - M3	
107	0951 4006B	Philips Screw With Washer - M4x6	

35.DEVELOPMENT UNIT 2 (A292/A293/B098)

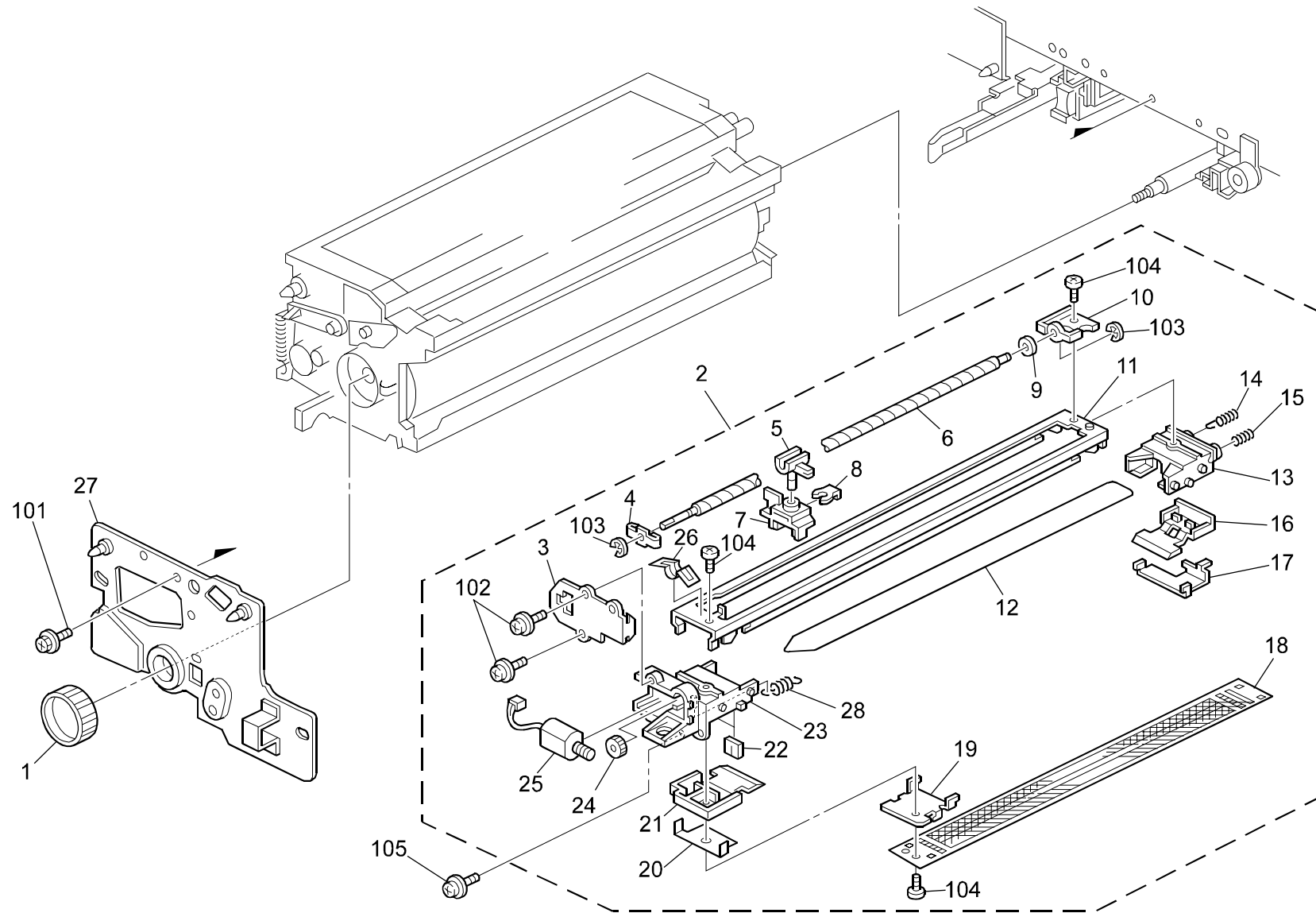


35.DEVELOPMENT UNIT 2 (A292/A293/B098)

Index No.	Part No.	Description	Q'ty Per Assembly
1	A247 3078	Upper Development Roller	1
2	A247 3079	Lower Development Roller	1
3	A247 3089	Ball Bearing - 9x17x5	2
4	A229 3055	Front Drum Seal	1
5	A229 3056	Rear Drum Seal	1
6	AA14 3426	Stopped Screw - M4x17	2
7	A294 3147	Seal	1
8	A294 3145	Ball Bearing Case - 8x19x6	1
9	AA08 0152	Bushing - 4x12x13	2
10	A294 3150	Bushing - 6x22x14	2
11	A294 3121	Lower Development Casing	1
12	A294 3127	Lower Development Sheet	1
13	A294 3170	Bushing - 6x22x14	1
14	A294 3129	Electrode Torsion Spring	1
15	A294 3126	Casing Electrode	1
16	A247 3080	Adjusting Plate	1
17	5403 2819	Spring Anchor - Reverse Roller	1
18	A294 3173	Seal - M8	1

Index No.	Part No.	Description	Q'ty Per Assembly
101	0450 4008B	Tapping Screw - 4x8	
102	0720 0040B	Retaining Ring - M4	
103	0314 0080B	Philips Pan Head Screw - M4x8	
104	0720 0030B	Retaining Ring - M3	

36.PCU 1 (A292/A293/B098)

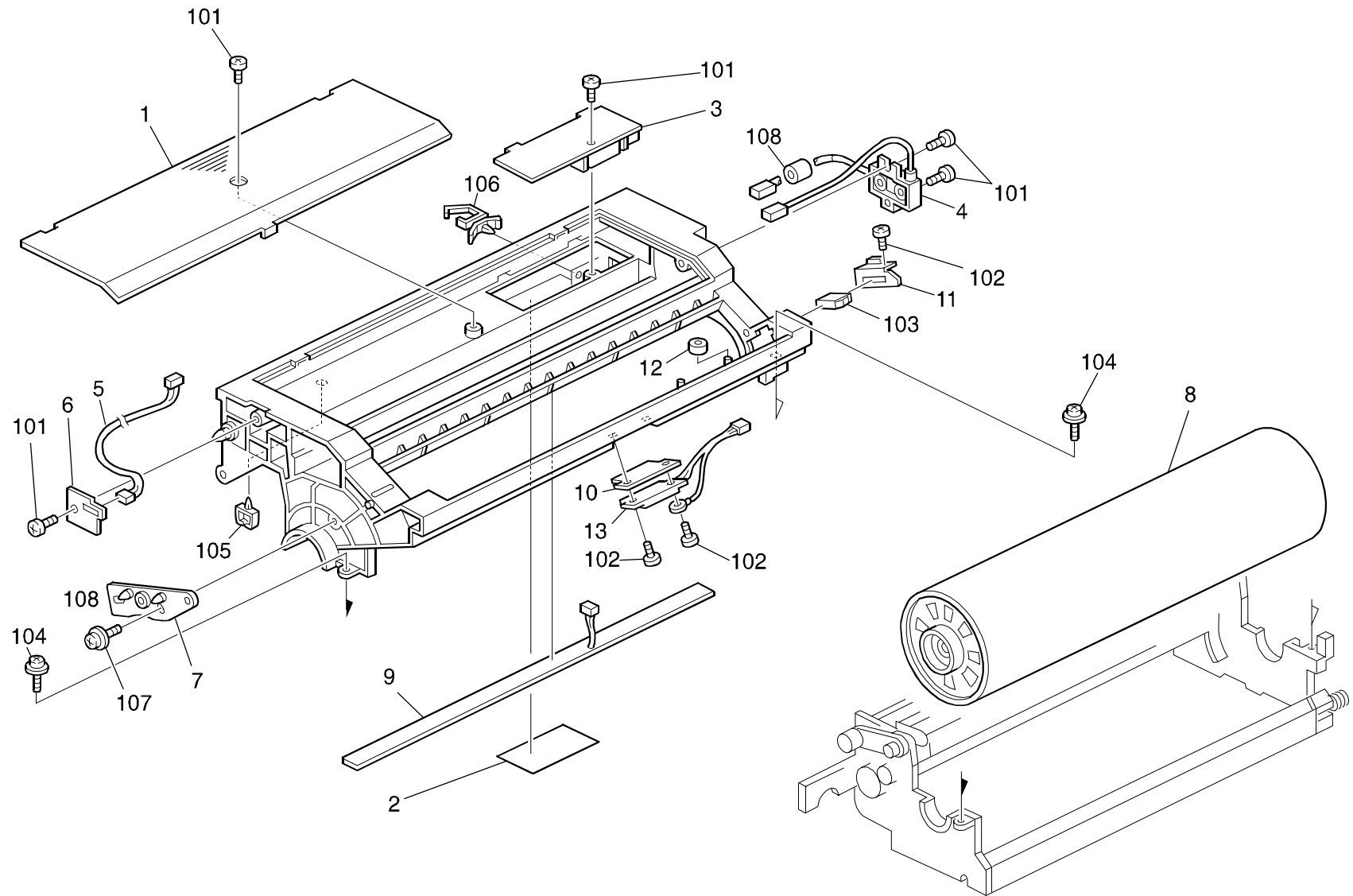


36.PCU 1 (A292/A293/B098)

Index No.	Part No.	Description	Q'ty Per Assembly
1	A096 2330	Drum Shaft Knob	1
2	AD00 4091	Charge Corona Unit (A292/A293)	1
2	AD00 4099	Charge Corona:Ass'y (B098)	1
3	A096 2053	Cleaner Motor Cover	1
4	AA08 0147	Front Bushing	1
5	A096 2062	Wire Cleaner Slider	1
6	A176 2061	Screw Shaft	1
7	A096 2063	Corona Wire Cleaner	1
8	A096 2065	Slider Ring	1
9	AA16 1105	Cleaner Cushion	1
10	AA08 0148	Rear Bushing	1
11	AD02 3106	Charge Corona Casing	1
12	AD02 0053	Charge Corona Wire (A292/A293)	1
12	AD02 7022	Wire:Charge Corona (B098)	1
13	AD02 2285	Rear End Block	1
14	AA06 3248	Charge Terminal Spring	1
15	AA06 3249	Grid Terminal Spring	1
16	AD02 2307	Cover - Rear End Block	1
17	A096 2051	Rear Grid Anchor	1
18	A096 2057	Charge Corona Grid	1
19	A096 2052	Front Grid Anchor	1
20	A134 2363	Terminal Plate	1
21	AD02 2306	Cover - Front End Block	1
22	AA16 1119	Cushion - Wire	2
23	AD02 2283	Front End Block	1
24	AB01 0087	Gear - 20Z	1
25	AX04 0061	Cleaner Motor - DC 0.5W	1
26	A176 2054	Grounding Plate	1
27	A294 2401	Drum Stay Ass'y (A292/A293)	1
27	B098 2401	Drum Stay:Drum:Ass'y (B098)	1
28	AA06 2284	Pressure Spring	1

Index No.	Part No.	Description	Q'ty Per Assembly
101	0451 4008B	Philips Tapping Screw - M4x8	
102	0965 3008B	Tapping Screw With Washer - M3x8	
103	0720 0025B	Retaining Ring - M2.5	
104	0971 4006A	Philips Polycarbonate Screw - M4x6	
105	0451 4006B	Tapping Screw - 4x6	

37.PCU 2 (A292/A293/B098)

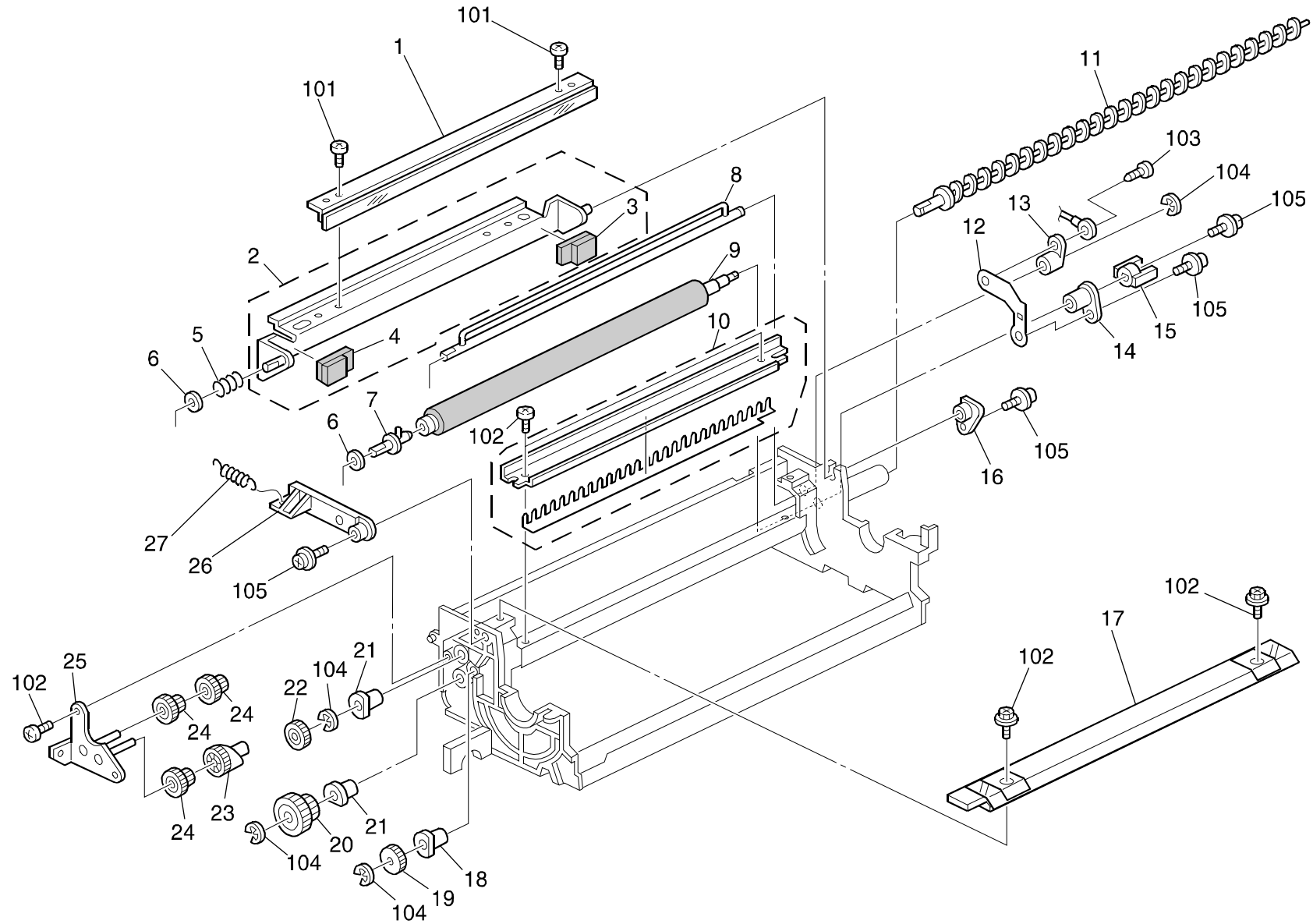


37.PCU 2 (A292/A293/B098)

Index No.	Part No.	Description	Q'ty Per Assembly
*	A293 2380	Upper Drum Unit	1
1	A293 2418	Upper Unit Cover	1
2	AA15 0350	Seal - 40x130	1
3	AZ32 0087	Power Pack	1
4	AD02 1128	Charge Corona Receptacle	1
5	A096 5442	Corona Cleaner Harness	1
6	A096 2281	Connector Bracket	1
7	A096 2266	Corona Unit Bracket	1
8	A294 9510	OPC Drum	1
9	A096 5320	Quenching Lamp	1
10	A096 2301	Grounding Plate	1
11	A229 2401	Connector Bracket	1
12	A153 3571	Collar	1
13	AW33 0003	Drum Potential Sensor	1

Index No.	Part No.	Description	Q'ty Per Assembly
101	0452 3008B	Tapping Screw - M3x8	
102	0453 3006B	Tapping Screw - M3x6	
103	1102 6246	Relay Connector - 4P	
104	0951 4010W	Philips Screw With Flatwasher - M4x10	
105	1105 0229	Clamp	
106	1105 0310	Harness Clamp - LWS-1S	
107	0965 3008W	Tapping Screw With Flat Washer - M3x8	
108	1607 1054	Ferrite Core Sc-18-10-13	

38.PCU 3 (A292/A293/B098)



38.PCU 3 (A292/A293/B098)

Index No.	Part No.	Description	Q'ty Per Assembly
*	A293 2320	Lower Drum Unit (A292/A293)	1
1	AD04 1056	Cleaning Blade	1
2	A247 3573	Bracket - Cleaning Blade	1
3	A247 3574	Rear Cleaning Seal	1
4	A247 3571	Cleaning Seal	1
5	AA06 3610	Blade Spring - Swivel 4060mn	1
6	AA13 2024	Spacer - M6	2
7	A096 3586	Cleaning Brush Drive Shaft	1
8	AD03 9057	Cleaning Agitator	1
9	AD04 2039	Cleaning Brush	1
10	A294 3566	Holder - Toner Collection Coil	1
11	AD04 3066	Toner Collection Coil	1
12	A176 3527	Grounding Plate	1
13	AA08 2059	Agitator Bushing	1
14	AA08 2045	Cleaning Brush Bushing	1
15	A294 3591	Joint - Cleaning Drive	1
16	AA08 0154	Rear Bushing	1
17	A294 3606	Cleaning Seal - Ass'y	1
18	AA08 2094	Bushing - Brush Roller	1
19	A096 3588	Gear - 19Z	1
20	AB01 7296	Gear - 30/47Z	1
21	AA08 2095	Bushing - Toner Collection Coil	2
22	AB01 0340	Gear - 30Z	1
23	AB01 7288	Cam Gear - 35Z	1
24	A096 3661	Gear - 15/35Z	3
25	A247 3656	Bracket - Speed Reduction Gear	1
26	A247 3575	Blade Release Lever	1
27	AA06 3591	Cleaning Blade Spring	1

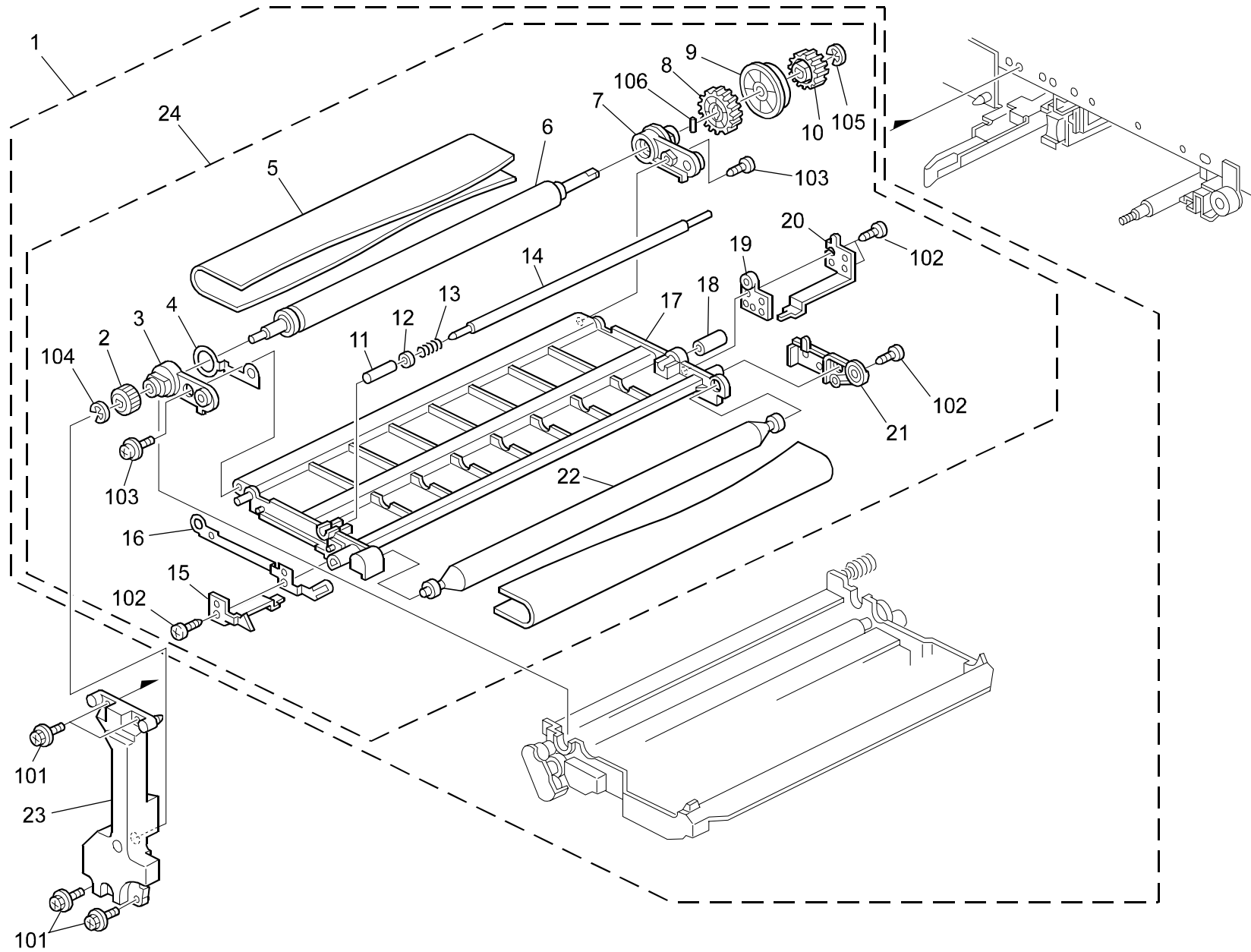
Index No.	Part No.	Description	Q'ty Per Assembly
101	0314 0040B	Philips Pan Head Screw - M4x4	
102	0452 3008B	Tapping Screw - M3x8	
103	0452 3010B	Tapping Bind Screw - M3x10	
104	0720 0040B	Retaining Ring - M4	
105	0951 3006B	Philips Screw With Flat Washer - M3x6	

39.PCU 4 (A292/A293/B098)

Index No.	Part No.	Description	Q'ty Per Assembly
1	A096 3666	Harness Cover	1
2	A293 2330	Lower Frame	1
3	AA15 3085	Inner Case Seal	2
4	AA14 3394	Stepped Screw - M3x10	2
5	AA15 2431	Front Drum Seal	1
6	A294 3572	Rear Drum Seal	1
7	A293 5411	Drum Unit Harness	1
8	A229 2352	Grounding Plate (A292/A293)	1
8	B098 2352	Plate:Harness (B098)	1
9	A294 3556	Entrance Seal Holder	1
10	A293 3596	Upper Entrance Stay	1
11	A096 3621	Entrance Seal	1
12	A096 3642	Pick-off Pawl Bracket	1
13	A134 5251	ID Sensor	1
14	A096 3646	Pick-off Pawl Shaft	1
15	A096 3624	Drum Grounding Plate	1
16	AA06 3384	Pick-off Pawl Shaft Spring	1
17	5324 1658	Bushing- 4x8x4.5mm	1
18	AD02 5022	Pick-off Pawl	2
19	AA06 6214	Front Pawl Spring	1
20	AA06 6215	Rear Pawl Spring	1
21	A352 2138	Slide Collar - 0.6x4.5x6	2
22	A048 2274	Front Transport Guide	1
23	AA08 0155	Rear Pawl Bushing	1
24	A097 3644	Transport Guide Bracket	1
25	A048 2277	Rear Transport Guide	1
26	AA15 3088	Cleaning Entrance Seal - 3x345x2	1

Index No.	Part No.	Description	Q'ty Per Assembly
101	0452 3010B	Tapping Bind Screw - M3x10	
102	0951 3006B	Philips Screw With Flat Washer - M3x6	
103	0720 0030B	Retaining Ring - M3	
104	0452 3008B	Tapping Screw - M3x8	
105	0313 0050B	Philips Pan Head Screw - M3x5	
106	0807 3092	Spacer - 4x5x3	
107	0452 3006B	Tapping Screw - M3x6	

40.TRANSFER SECTION 1 (A292/A293/B098)

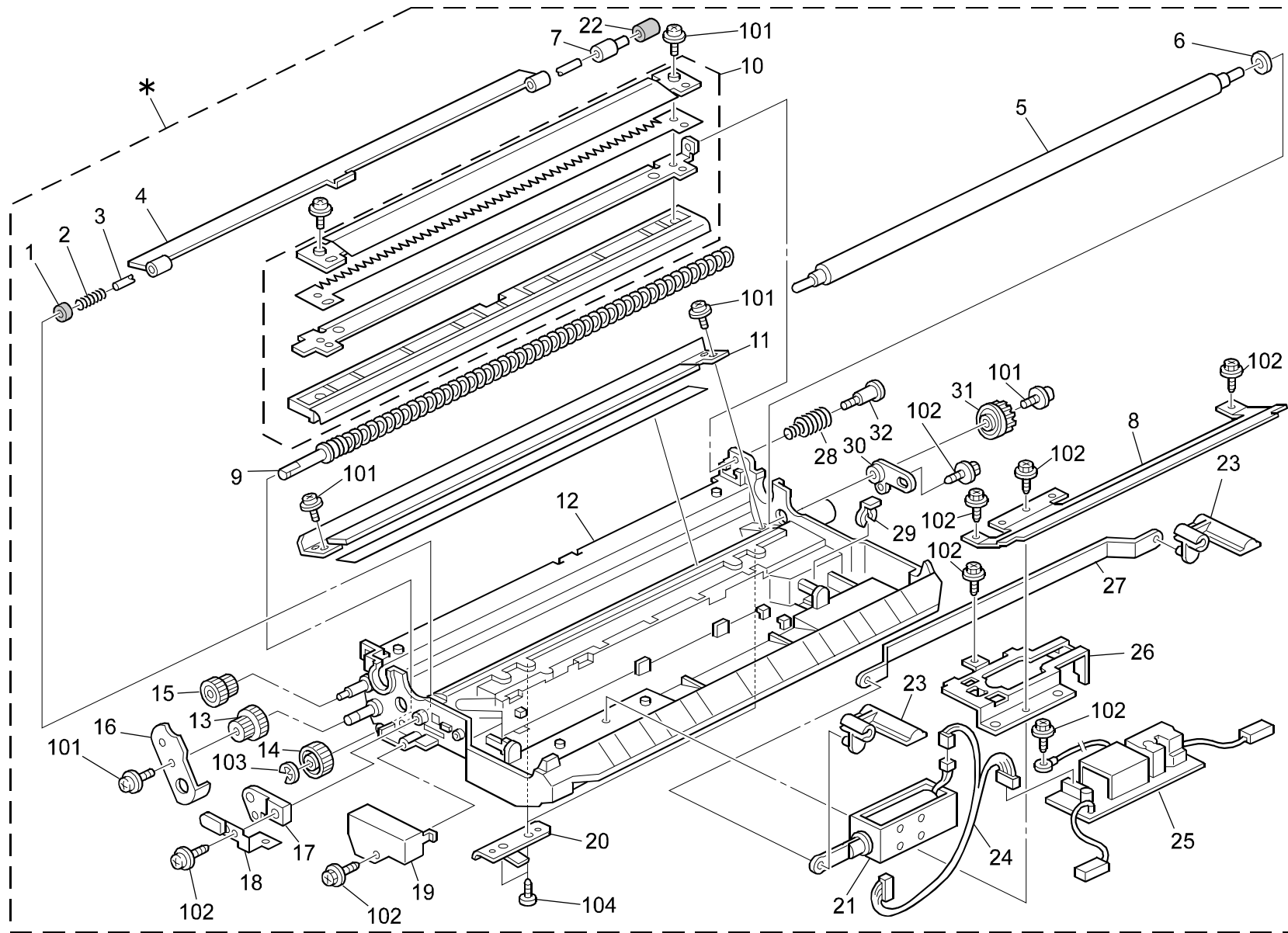


40. TRANSFER SECTION 1 (A292/A293/B098)

Index No.	Part No.	Description	Q'ty Per Assembly
1	A293 3810	Transfer Unit (A292/A293)	1
1	B098 3810	Transfer Unit:C2:Ass'y (B098)	1
2	AB01 0333	Gear - 26Z	1
3	A229 3861	Front Arm	1
4	A229 3875	Drive Electrode	1
5	A293 3899	Transfer Belt - Mojito Service	1
6	A229 3880	Drive Roller	1
7	A229 3862	Rear Arm	1
8	AB01 4175	Gear - 50Z	1
9	A294 3869	Rear Positioning Plate	1
10	A293 3871	Gear - 20Z	1
11	A096 3867	Front Bushing - 4.5x6x21	1
12	A176 3863	Spacer - 4x6x2	1
13	AA06 3531	Pressure Spring - 12mm	1
14	A096 3870	Transfer Bias Roller	1
15	A229 3859	Front Spring Plate	1
16	A229 3876	Driven Electrode	1
17	A229 3853	Transfer Belt Frame	1
18	A096 3868	Rear Bushing - 4.5x6x13.5	1
19	A096 3864	Transfer Belt Terminal	1
20	A247 3855	Rear Spring Plate	1
21	A096 3865	Terminal Cover	1
22	A229 3865	Transport Driven Roller	1
23	A096 3966	Belt Unit Support Plate	1
24	A293 3851	Transfer Belt Frame	1

Index No.	Part No.	Description	Q'ty Per Assembly
101	0451 4008B	Philips Tapping Screw - M4x8	
102	0452 3008B	Tapping Screw - M3x8	
103	0951 3008B	Philips Screw With Flat Washer - M3x8	
104	0720 0040B	Retaining Ring - M4	
105	0720 0060E	Retaining Ring - M6	
106	0633 0140G	Parallel Pin - 3x14	

41.TRANSFER SECTION 2 (A292/A293/B098)

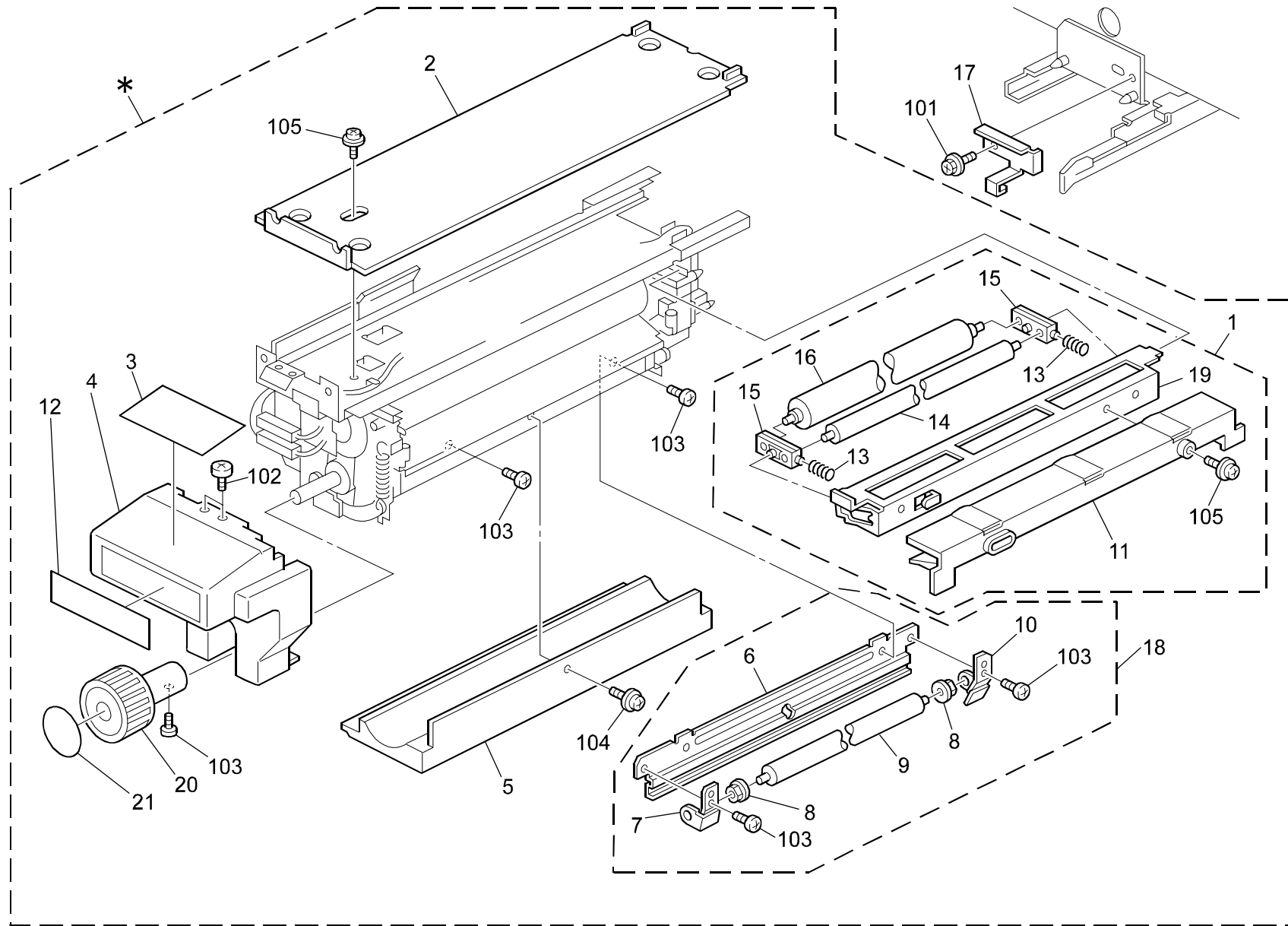


41. TRANSFER SECTION 2 (A292/A293/B098)

Index No.	Part No.	Description	Q'ty Per Assembly
*	A293 3910	Transfer Belt Casing (A292/A293)	1
*	B098 3910	Casing:Transfer Belt:C2:Ass'y (B098)	1
1	A229 3915	Front Agitator Shield	1
2	AA06 3309	Compression Spring	1
3	A293 3912	Agitator Shaft	1
4	A229 3913	Agitator	1
5	A293 3916	Cleaning Roller - Transfer Belt	1
6	AA13 2024	Spacer - M6	1
7	A293 3911	Agitator Slider	1
8	A293 3913	Heat Sink - Transfer Unit	1
9	A293 3901	Toner Collection Coil	1
10	A293 3940	Guide Plate - Transfer Belt	1
11	A293 3918	Transfer Belt Blade	1
12	A229 3924	Transfer Belt Casing	1
13	AB01 0336	Gear - 22/36Z	1
14	AB01 0334	Gear - 34Z	1
15	AB01 0335	Gear - 22/48Z	1
16	A096 3929	Gear Cover (A292/A293)	1
16	B098 3929	Cover:Gear (B098)	1
17	A229 3910	Front Bushing	1
18	A229 3909	Bias Terminal	1
19	A229 3917	Electrode Cover	1
20	A293 3914	Spring Plate - Casing	2
21	A293 3935	DC Solenoid - On-Off	1
22	A229 3918	Rear Agitator Shield	1
23	A096 3915	Transfer Belt Lever	2
24	A229 5410	Transfer Unit Harness	1
25	AZ30 0051	Power Pack	1
26	A096 3922	Soleniod Bracket	1
27	A096 3916	Belt Lever Arm	1
28	AA06 3310	Guide Plate Spring	1
29	5447 2681	Snap Ring	1
30	A229 3911	Rear Bushing	1
31	AB01 4176	Cam Gear - 37Z	1
32	H053 1150	Stepped Screw - Locking	1

Index No.	Part No.	Description	Q'ty Per Assembly
101	0951 3006B	Philips Screw With Flat Washer - M3x6	
102	0450 3008B	Tapping Screw - M3x8	
103	0720 0040B	Retaining Ring - M4	
104	0452 3006B	Tapping Screw - M3x6	

42.FUSING UNIT 1 (A292/A293/B098)

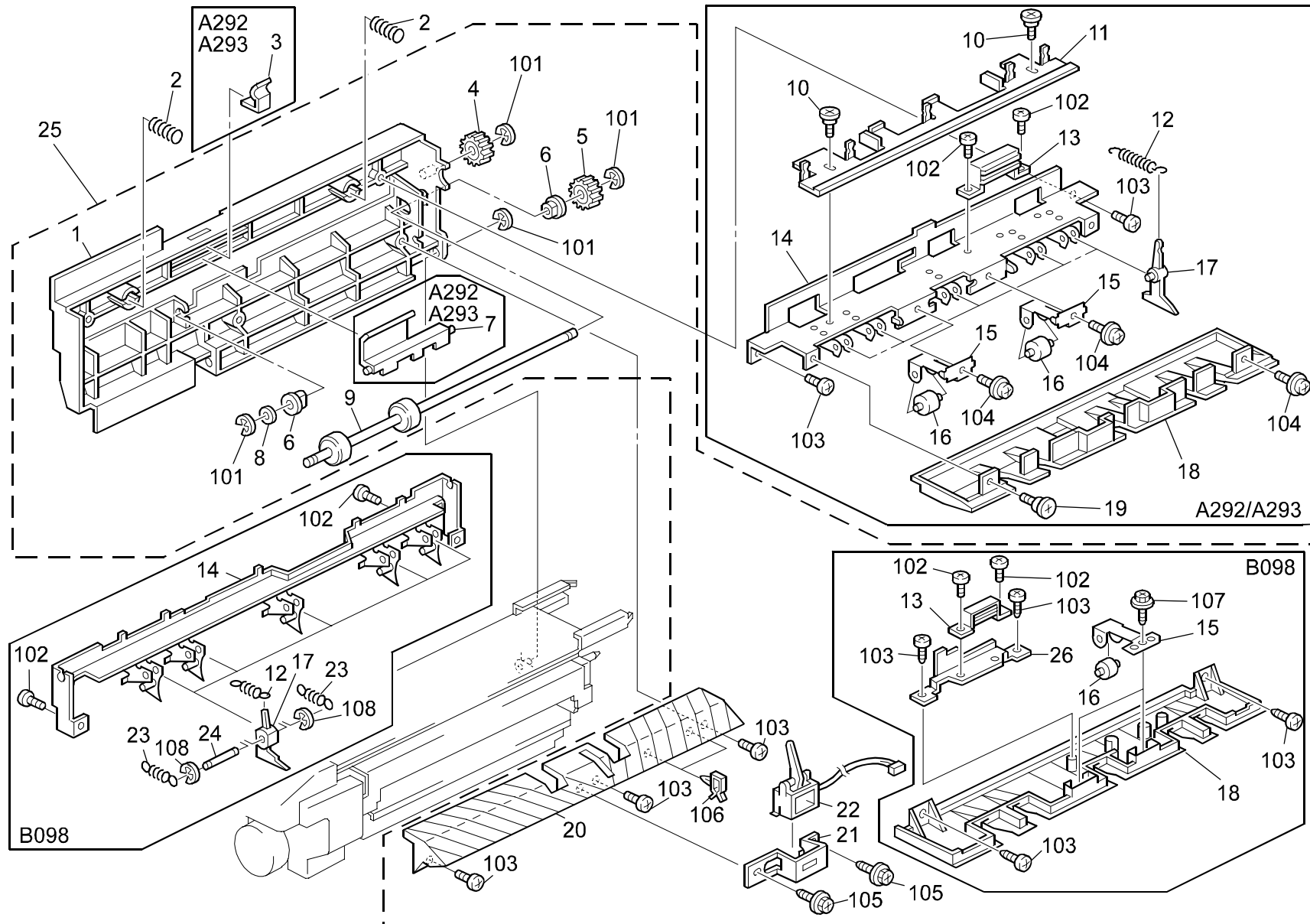


42.FUSING UNIT 1 (A292/A293/B098)

Index No.	Part No.	Description	Q'ty Per Assembly
*	A293 4010	Fusing Unit (LAN)(TWN) (A292/A293)	1
*	A293 4015	Fusing Unit (A292/A293 230V)	1
*	A293 4018	Fusing Unit (A292/A293 230V Asia)	1
*	A293 4032	Fusing Unit (KOREA)(A292/A293)	1
*	A293 4050	Fusing Unit (A292/A293 120V)	1
*	B098 4050	Fusing Unit:NA:Ass'y (B098)	1
*	B098 4015	Fusing Unit:EU:Ass'y (B098)	1
1	A229 4085	Oil Supply Unit (A292/A293 120V)	1
1	A293 4085	Oil Supply Unit (A292/A293 230V)	1
1	B098 4085	Oil Supply Unit:Ass'y (B098)	1
2	A247 4155	Rail Cover	1
3	A293 4156	Decal - Confirm Paper (A292/A293)	1
3	B098 4157	Decal:Confirm:Paper (B098)	1
4	A293 4152	Fusing Cover - Large Grip	1
5	A096 4161	Lower Fusing Cover (A292/A293)	1
5	A293 4161	Lower Fusing Cover (A292/A293 -15/-17)(B098)	1
6	A097 4122	Cleaning Roller Bracket	1
7	A294 4078	Right Holder (A292/A293 120V)	1
7	A229 4175	Right Holder (A292/A293 230V)(B098)	1
8	AE03 1024	Bushing - M4x7	2
9	AE04 2036	Cleaning Roller:Pressure Roller:Ass (A292/A293 120V)(B098)	1
9	AE04 2046	Cleaning Roller - Pressure Roller (A292/A293 230V)	1
10	A294 4077	Left Holder (A292/A293 120V)	1
10	A229 4171	Left Holder (A292/A293 230V)(B098)	1
11	A247 4131	Upper Entrance Guide	1
12	A293 4165	Decal- Misfeed Removal D/E (A292/A293)	1
12	B098 4165	Decal:misfeed Removal:d/e:na (B098)	1
13	AA06 3294	Pressure Spring	2
14	AE04 2035	Oil Supply Cleaning Roller (A292/A293 120V)(B098)	1
14	AE04 2045	Oil Supply Cleaning Roller (A292/A293 230V)	1
15	AE03 1025	Bushing - Oil Supply Roller	2

Index No.	Part No.	Description	Q'ty Per Assembly
16	AE04 0016	Oil Supply Roller (A292/A293)	1
16	AE04 0051	Oil Supply Roller (B098)	1
17	A096 4273	Fusing Unit Stopper	1
18	A229 4090	Lower Cleaning Roller Unit (A292/A293 120V)	1
18	A293 4095	Lower Cleaning Roller Unit (A292/A293 230V)	1
18	B098 4095	Lower Cleaning Roller Unit (B098)	1
19	A247 4141	Oil Supply Roller Bracket	1
20	A293 4076	Long Fushing Knob	1
21	A293 4077	Decal - Rotation Direction Knob	1
101	0451 4008B	Philips Tapping Screw - M4x8	
102	0453 4008Z	Tapping Screw - M4x8	
103	0314 0060B	Philips Pan Head Screw - M4x6	
104	0951 4006W	Philips Screw With Flat Washer - M4x6	
105	0951 4008W	Philips Screw With Flat Washer - M4x8	

43.FUSING UNIT 2 (A292/A293/B098)

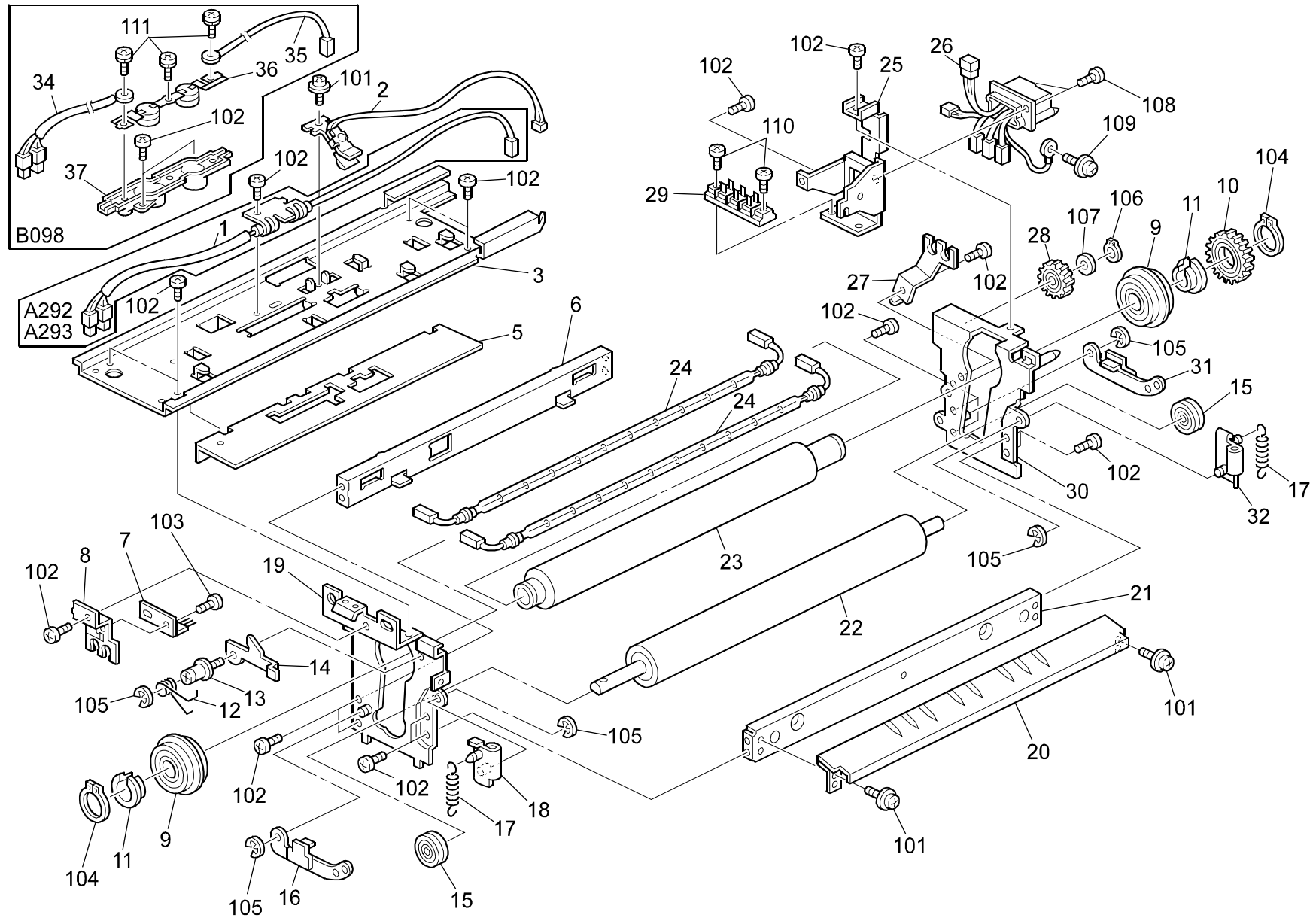


43.FUSING UNIT 2 (A292/A293/B098)

Index No.	Part No.	Description	Q'ty Per Assembly
1	A229 4301	Fusing Exit Frame (A292/A293)	1
1	B098 4307	Frame:Fusing Exit:Printing (B098)	1
2	G619 4028	Slider Pressure Spring (A292/A293)	2
3	A096 4304	Grip Spring Plate (A292/A293)	1
4	AB01 3793	Gear - 19Z	1
5	AB01 3794	Gear - Fusing Exit	1
6	AA08 0184	Bushing - Fusing Exit	2
7	A096 4303	Fusing Exit Grip (A292/A293)	1
8	AA13 2024	Spacer - M6	1
9	AF02 0302	Lower Fusing Exit Roller	1
10	5506 6111	Stepped Screw - M4 (A292/A293)	2
11	A096 4316	Stripper Release Slider (A292/A293)	1
12	AA06 0539	Stripper Pawl Spring	5
13	AA02 1026	Magnet Catch (A292/A293)	1
14	A096 4313	Stripper Stay (A292/A293)	1
14	B098 4313	Bracket:guide Plate:pickoff Pawl (B098)	1
15	A096 4319	Exit Roller Holder (A292/A293)	2
15	B098 4319	Holder:Exit Roller (B098)	2
16	AF04 0561	Fusing Exit Roller - Upper	2
17	AE04 4019	Hot Roller Stripper (A292/A293)	5
17	AE04 4043	Hot Roller Stripper (B098)	5
18	A096 4322	Upper Fusing Exit Guide (A292/A293)	1
18	B098 4322	Guide Plate:Fusing Exit:Upper (B098)	1
19	AA14 3037	Development Cover Screw (A292/A293)	1
20	A293 4309	Lower Fusing Exit Guide	1
21	A293 4316	Bracket - Fusinx Exit Sensor	1
22	AW20 0005	Reed Switch	1
23	AA06 0914	Stripper Pawls Spring (B098)	
24	AA14 9746	Stripper Shaft (B098)	1
25	B098 4045	Paper Exit:Ass'y (B098)	1
26	B098 4316	Bracket:Fix:Guide Plate (B098)	1

Index No.	Part No.	Description	Q'ty Per Assembly
101	0720 0040B	Retaining Ring - M4	
102	0314 0060B	Philips Pan Head Screw - M4x6	
103	0414 0082W	Tapping Screw With Flat Washer - M4x8 (A292/A293)	
103	0452 4008B	Binding Self Tapping Screw-M4x8 (B098)	
104	0951 4006W	Philips Screw With Flat Washer - M4x6	
105	0450 3008B	Tapping Screw - M3x8	
106	1105 0283	Clamp	
107	0452 3006B	Tapping Screw - M3x6	
108	0720 0030E	Retaining Ring - M3	

44.FUSING UNIT 3 (A292/A293/B098)

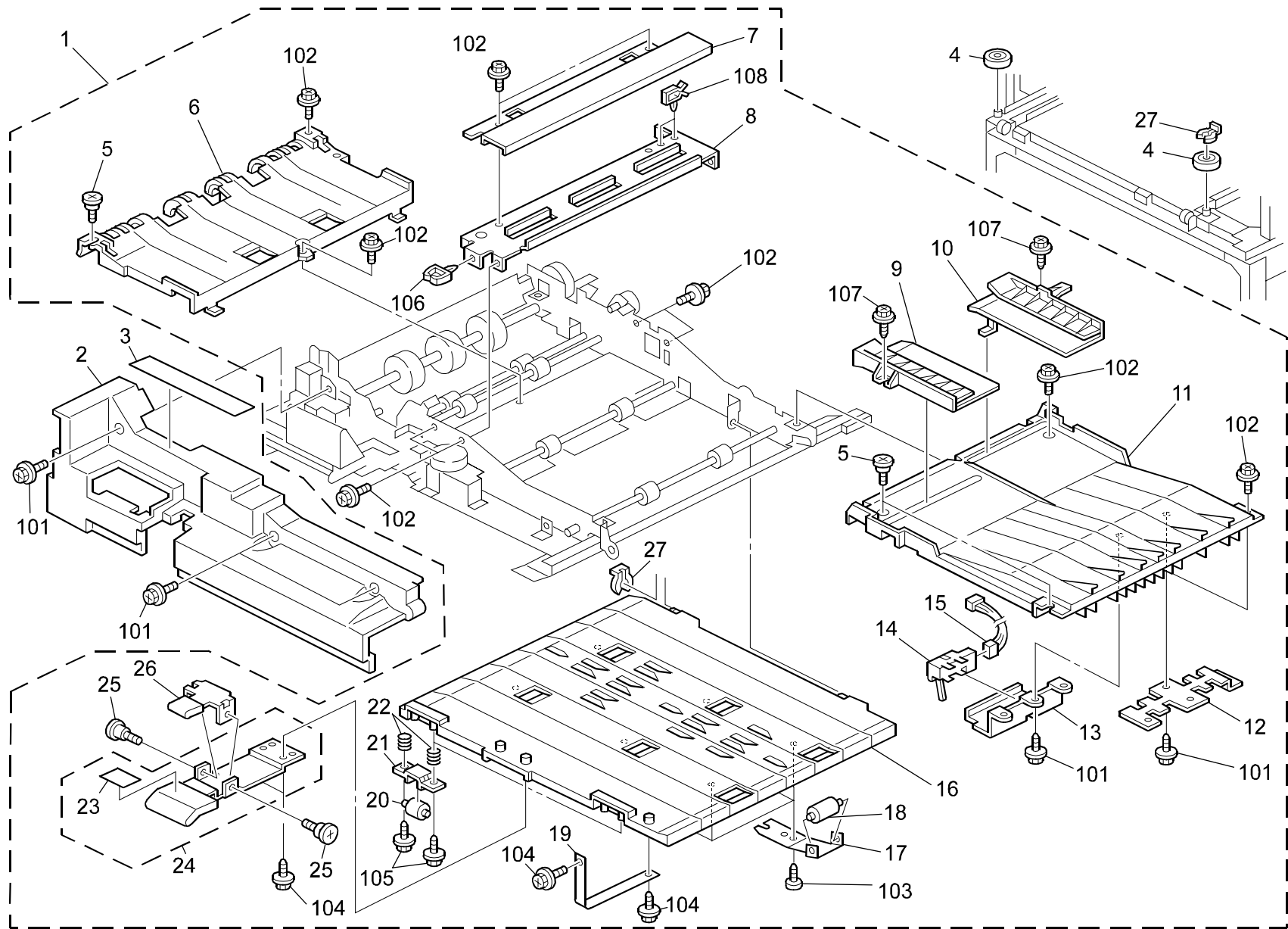


44.FUSING UNIT 3 (A292/A293/B098)

Index No.	Part No.	Description	Q'ty Per Assembly
1	A247 4225	Thermofuse 172BC (A292/A293)	1
2	A293 4131	Thermistor - Fusing Ass'y	1
3	A096 4121	Fusing Unit Rail (A292/A293)	1
3	B098 4121	Rail:Fusing (B098)	1
5	AA17 2012	Heat Shielding Sheet (A292/A293)	1
6	A293 4115	Fusing Left Stay	1
7	A413 1670	Antistatic Brush	1
8	A097 4170	Front Heater Holder	1
9	AE03 0017	Ball Bearing - 35x50x10	2
10	AB01 3792	Gear - 49Z (A292/A293)	1
10	AB01 2316	Fusing Gear (B098)	1
11	AE03 2014	Bushing - 30x35x13.5	2
12	AA06 6232	Lock Lever Spring	1
13	5215 4444	Pin	1
14	A097 4133	Lock Lever	1
15	AE03 0018	Ball Bearing - 12x28x8	2
16	A096 4174	Front Pressure Lever	1
17	AA06 0739	Tension Spring (A292/A293)	2
17	AA06 0926	Tension Spring:Pressure Roller:195n (B098)	2
18	A096 4181	Front Release Bracket	1
19	A096 4101	Front Fusing Bracket (A292/A293)	1
19	B098 4101	Side Plate:Fusing:Front:Ass'y (B098)	1
20	A293 4135	Fusing Entrance Guide	1
21	A097 4112	Fusing Right Stay	1
22	AE02 2078	Pressure Roller	1
23	AE01 1044	Hot Roller (A292/A293)	1
23	AE01 1073	Hot Roller:Mm50 (B098)	1
24	AX43 0034	Fusing Lamp - 550W 230V	2
24	AX44 0109	Fusing Lamp - 550W 115V	2
25	A096 4231	Fusing Connector Bracket	1
26	A293 4141	Fusing Unit Harness (A292/A293 120V)	1
26	A293 4143	Fusing Unit Harness - 230V (A292/A293)	1
26	B098 4141	Harness:Fusing Unit:Ass'y (B098 120V)	1
26	B098 4143	Harness:Fusing Unit:EU:Ass'y (B098 230V)	1
27	A097 4173	Rear Heater Holder	1

Index No.	Part No.	Description	Q'ty Per Assembly
28	AB01 7357	Gear - 31Z (A292/A293)	1
28	AB01 2317	Fusing Drive Gear (B098)	1
29	A247 4249	Connector - 3P	1
30	A176 4105	Rear Fusing Bracket (A292/A293)	1
30	B098 4105	Side Plate:Rear:Fusing:Ass'y (B098)	1
31	A096 4176	Rear Pressure Lever	1
32	A096 4185	Rear Release Bracket	1
34	B098 4227	Harness:Front (B098)	1
35	B098 4228	Harness:Inner Back (B098)	1
36	G065 4106	Thermostat (B098)	1
37	B070 4096	Housing:Thermostat:Lower (B098)	1
101	0951 4006W	Philips Screw With Flat Washer - M4x6	
102	0314 0060B	Philips Pan Head Screw - M4x6	
103	0313 0050B	Philips Pan Head Screw - M3x5	
104	0725 0300E	Retaining Ring C - M30	
105	0720 0040B	Retaining Ring - M4	
106	0727 0080G	Retaining Ring - M8	
107	0807 5056	Washer - 8.1mm	
108	0314 0100B	Philips Pan Head Screw - M4x10	
109	0951 3005B	Philips Screw With Flat Washer M3x5 (A292/A293)	
109	0950 3005B	Philips Screw With Sprin Washer (B098)	
110	0314 0080B	Philips Pan Head Screw - M4x8	
111	0801 0149	Philips Pan Head Screw - M4x6	

45.INVERTOR & DUPLEX UNIT 1 (A292/A293/B098)

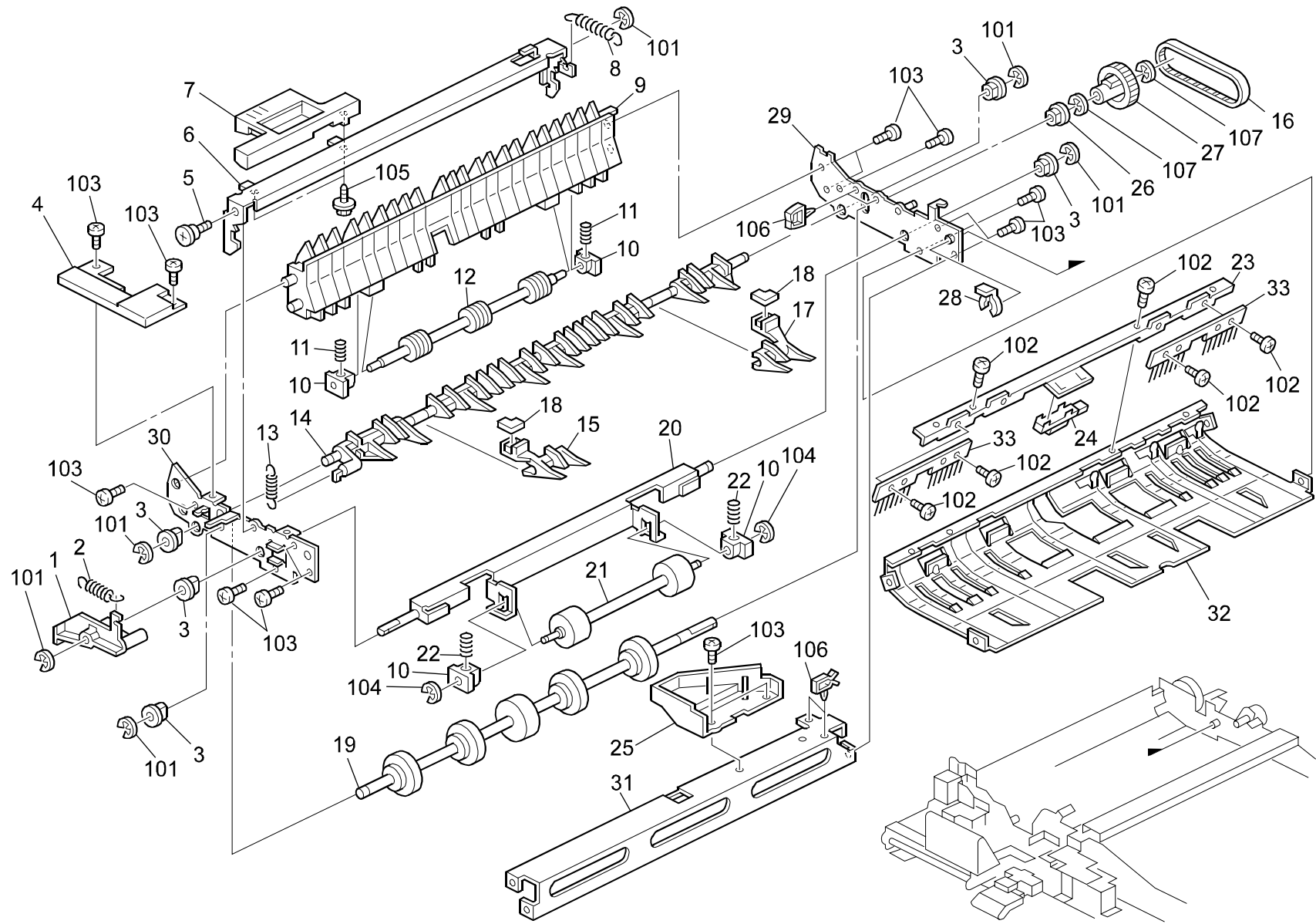


45.INVERTOR & DUPLEX UNIT 1 (A292/A293/B098)

Index No.	Part No.	Description	Q'ty Per Assembly
1	A293 4501	Duplex Unit (A292/A293)	1
1	B098 4501	Duplex Unit:Ass'y (B098)	1
2	A229 4820	Duplex Inner Cover (A292/A293)	1
2	B098 4820	Inner Cover:Duplex Unit (B098)	1
3	A229 4821	Decal - Warning	1
4	A300 2134	Guide Roller - B	2
5	AA14 3037	Development Cover Screw	3
6	A293 4717	Reverse Guide Plate - Left Lower (A292/A293)	1
6	B098 4717	Guide Plate:Reverse:Lower:Left (B098)	1
7	A229 4808	Upper Harness Bracket	1
8	A229 4807	Lower Harness Bracket	1
9	A229 4684	Front Jogger Side Fence (A292/A293)	1
9	B098 4684	Side Fence:Jogger:Front (B098)	1
10	A229 4687	Rear Jogger Side Fence (A292/A293)	1
10	B098 4687	Side Fence:Jogger:Rear (B098)	1
11	A229 4713	Reverse Guide Plate - Right Lower (A292/A293)	1
11	B098 4713	Guide Plate:Reverse:Lower:Right (B098)	1
12	A229 4716	Harness Plate Bracket	1
13	A229 4715	Optics Sensor Right Bracket	1
14	AW02 0126	Photointerruptor	1
15	A229 5442	Duplex Connecting Harness	1
16	A229 4726	Lower Transport Guide Plate	1
17	A229 4728	Driven Roller Spring Plate	6
18	AF02 2077	Driven Roller	6
19	A096 4928	Guide Plate Band	1
20	AF02 2067	Guide Stopper Roller (A292/A293)	2
20	AF02 2153	Roller:Pressure:Guide:Horizontal (B098)	2
21	A229 4727	Guide Plate Pressure Holder	2
22	AA06 3581	Compression Spring	4
23	A229 4734	Decal - Guide Plate Lever	1
24	A229 4729	Guide Plate Lever	1
25	AA14 3307	Stepped Screw - M3	2
26	A096 4933	Guide Plate Lever Hook (A292/A293)	1

Index No.	Part No.	Description	Q'ty Per Assembly
26	B098 4933	Hook:Lever:Guide Plate:Ass'y (B098)	1
27	5447 2681	Snap Ring	2
101	0451 4008B	Philips Tapping Screw - M4x8	
102	0451 4006B	Tapping Screw - 4x6	
103	0452 3006B	Tapping Screw - M3x6	
104	0450 4008B	Tapping Screw - 4x8	
105	0450 3006B	Tapping Screw - M3x6	
106	1105 0199	Clamp	
107	0450 3008B	Tapping Screw - M3x8	
108	1105 0283	Clamp	

46.INVERTOR & DUPLEX UNIT 2 (A292/A293/B098)

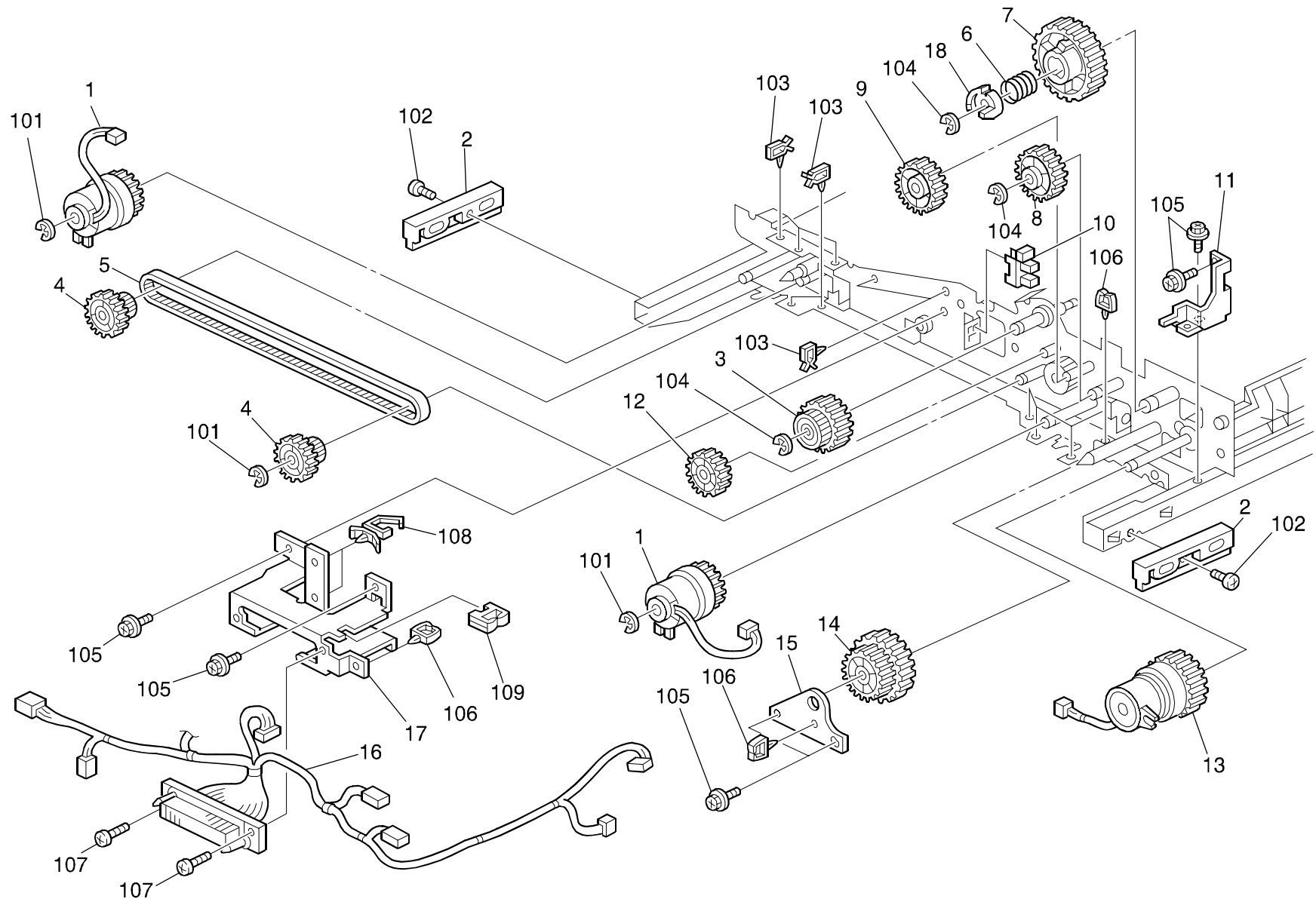


46.INVERTOR & DUPLEX UNIT 2 (A292/A293/B098)

Index No.	Part No.	Description	Q'ty Per Assembly
1	A229 4638	Reversal Driven Roller Lever	1
2	AA06 0729	Tension Spring	1
3	AA08 2046	Bushing - 6x12x6	5
4	A229 4655	Reverse Unit Cover	1
5	AA14 3420	Stepped Screw - M4x5	1
6	A229 4643	Grip Stay	1
7	A229 4647	Reverse Unit Knob	1
8	AA06 0730	Tension Spring	1
9	A229 4623	Lower Entrance Guide Plate	1
10	AA08 0034	Bushing - 4x5x7	4
11	AA06 3579	Compression Spring	2
12	A229 4624	Duplex Driven Roller	1
13	AA06 0728	Tension Spring	1
14	A293 4611	Reverse Gae Pawl	1
15	A293 4613	Front Gate Pawl	1
16	AA04 3487	Timing Belt - Reverse Roller	1
17	A293 4614	Rear Gate Pawl	1
18	A293 4615	Spacer	2
19	AF02 0497	Reverse Roller	1
20	A229 4640	Reversal Bracket	1
21	AF02 0432	Driven Roller	1
22	AA06 3580	Compression Spring	2
23	A229 4616	Photo Reflection Sensor Bracket	1
24	AW01 0058	Photosensor	1
25	A229 4628	Pressure Lever Cam	1
26	AA08 2070	Bushing - 8x16x7	1
27	AB03 0663	Pulley	1
28	5447 2681	Snap Ring	1
29	A229 4603	Rear Side Plate - Reverse Ass'y	1
30	A229 4602	Front Side Plate	1
31	A229 4627	Inverter Stay	1
32	A293 4619	Upper Entrance Guide Plate	1
33	A229 4617	Duplex Discharge Brush	2

Index No.	Part No.	Description	Q'ty Per Assembly
101	0720 0040B	Retaining Ring - M4	
102	0313 0050B	Philips Pan Head Screw - M3x5	
103	0354 0060B	Screw - M4X6	
104	0720 0030B	Retaining Ring - M3	
105	0450 3008B	Tapping Screw - M3x8	
106	1105 0283	Clamp	
107	0720 0060B	Retaining Ring - M6	

47.INVERTOR & DUPLEX UNIT 3 (A292/A293/B098)

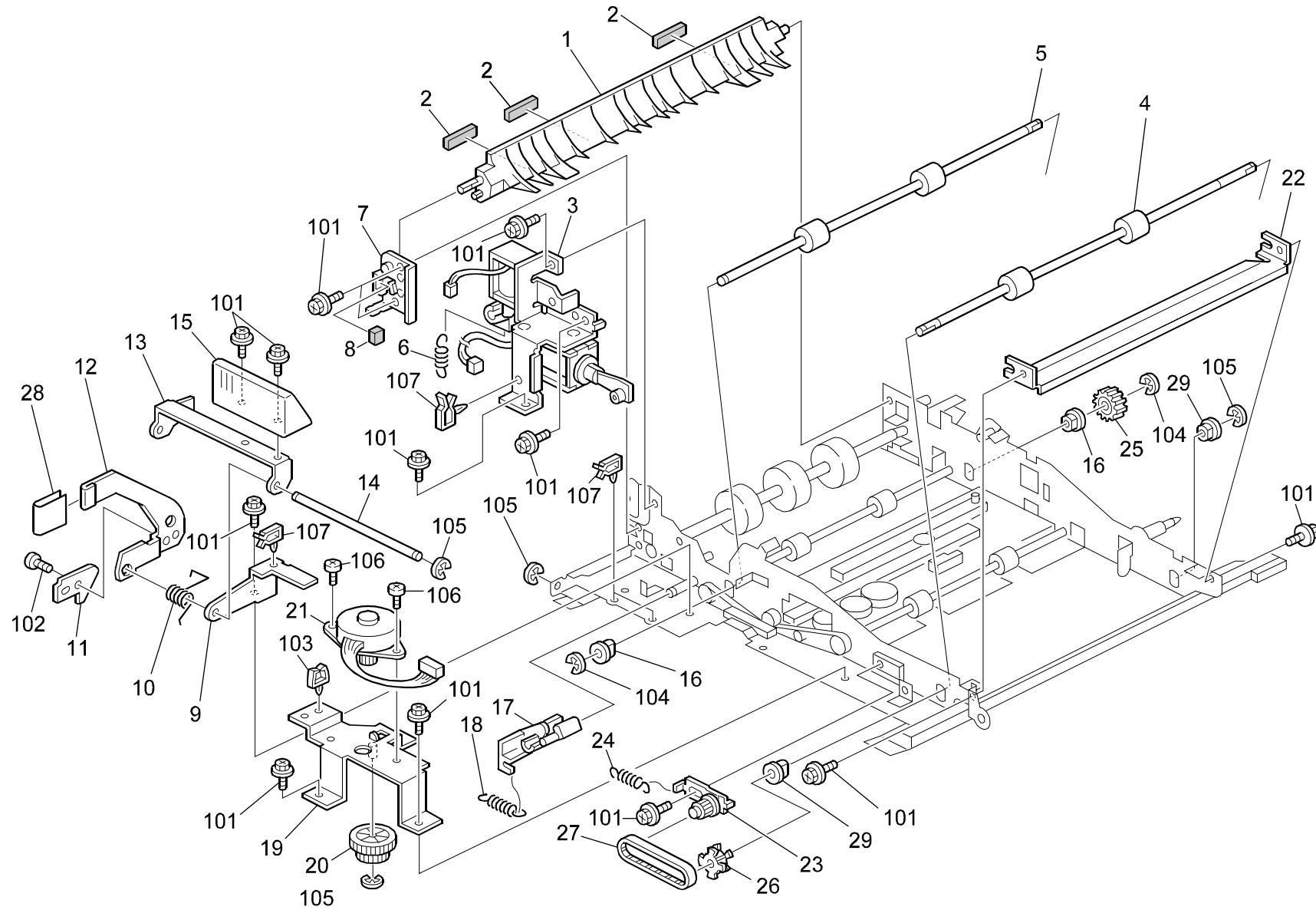


47.INVERTOR & DUPLEX UNIT 3 (A292/A293/B098)

Index No.	Part No.	Description	Q'ty Per Assembly
1	AX20 0206	Magnetic Clutch (A292/A293)	2
1	B098 4533	Magnetic Clutch:Transport:Duplex (B098)	2
2	A096 4595	Duplex Guide (A292/A293)	2
2	B098 4595	Guide:Duplex Unit:Right:Left (B098)	2
3	AB01 7468	Idler Gear - 30Z	1
4	AB01 7469	Timing Pulley Gear	2
5	AA04 3489	Rear Timing Belt - Driven	1
6	AA06 3582	Compression Spring	1
7	AB01 4078	Drive Gear - 51Z	1
8	AB01 4081	Idler Gear - 29Z	1
9	AB01 4082	Reversal Idler Gear - 31Z	1
10	AW02 0056	Photointerrupter - EE-SX4235A-P1	1
11	A293 4678	Support Bracket	1
12	AB01 4084	Idler Gear - 31Z	1
13	AX20 0178	Magnetic Clutch	1
14	AB01 4080	Idler Gear - 28/40Z	1
15	A293 4679	Positioning Pin Bracket	1
16	A293 5441	Duplex Unit Harness	1
17	A293 4818	Connector Bracket	1
18	A229 4740	Drive Joint	1

Index No.	Part No.	Description	Q'ty Per Assembly
101	0720 0040B	Retaining Ring - M4	
102	0434 0080	Tapping Screw - M4x8	
103	1105 0283	Clamp	
104	0720 0060B	Retaining Ring - M6	
105	0451 4006B	Tapping Screw - 4x6	
106	1105 0229	Clamp	
107	0453 3008B	Bind Tapping Screw - M3x8	
108	1105 0310	Harness Clamp - LWS-1S	
109	1105 0328	Harness Clamp - ES-0505	

48.INVERTOR & DUPLEX UNIT 4 (A292/A293/B098)

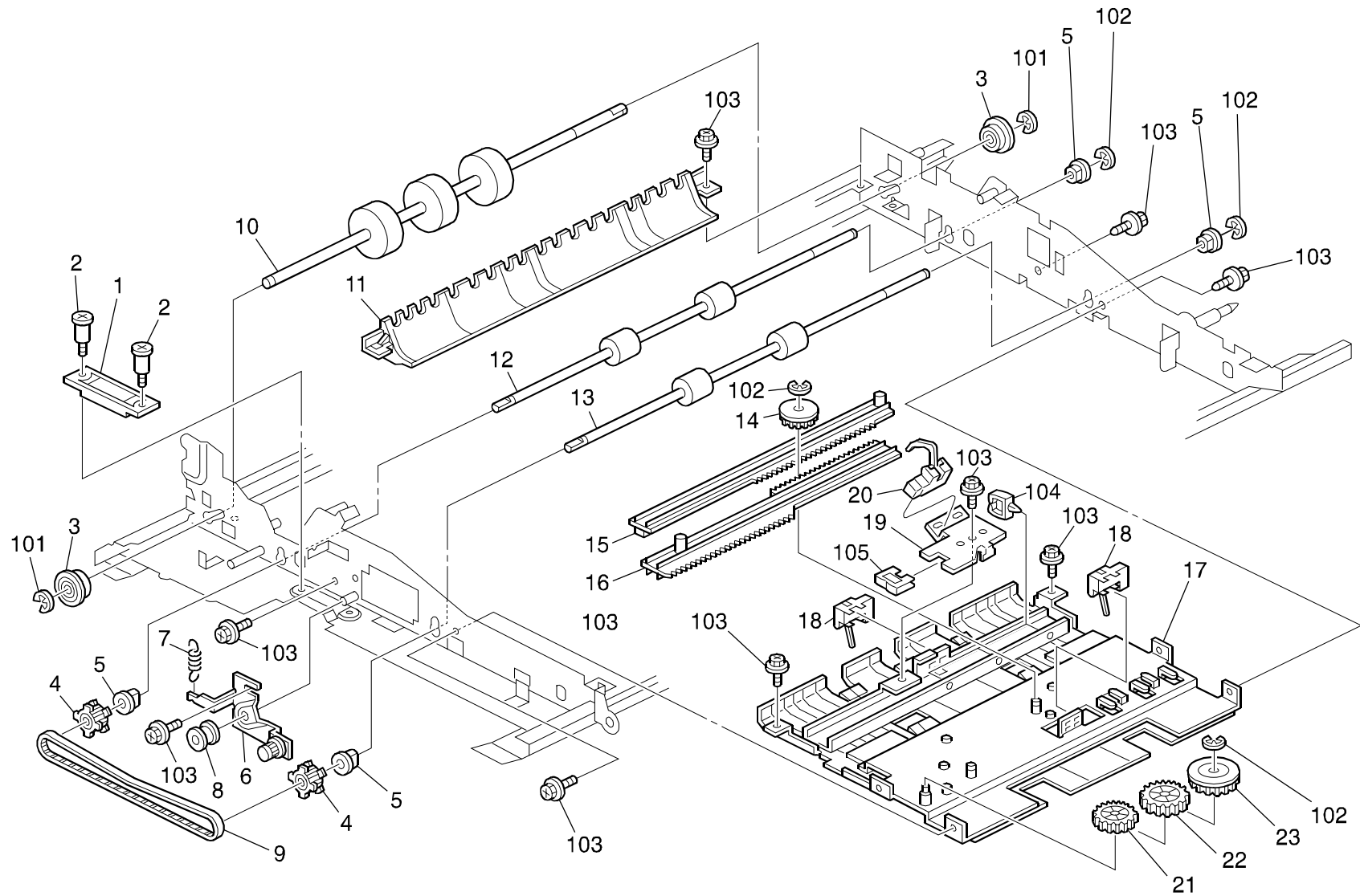


48.INVERTOR & DUPLEX UNIT 4 (A292/A293/B098)

Index No.	Part No.	Description	Q'ty Per Assembly
1	A229 4765	Duplex Gate Pawl	1
2	A229 4766	Damping Insulation	3
3	A293 4782	DC Solenoid Ass'y	1
4	AF02 0435	Drive Roller (A292/A293)	1
4	AF02 0580	Roller:Drive:Left:Right (B098)	1
5	AF02 0494	Reversal Drive Roller	1
6	AA06 0835	Tension Spring	1
7	A229 4772	Gate Pawl Bracket	1
8	A229 4773	Gate Pawl Sound Proofing	1
9	A229 4804	Lever Support Bracket	1
10	AA06 6223	Grip Spring	1
11	A229 4802	Lock Lever	1
12	A229 4812	Lock Arm	1
13	A096 4882	Release Bracket	1
14	AA14 0504	Release Lever Shaft	1
15	A229 4806	Release Lever (A292/A293)	1
15	B098 4806	Lever:Release:Duplex Unit (B098)	1
16	AA08 0308	Bushing - 8mm	2
17	A229 4793	DC Solenoid Lever	1
18	AA06 0743	Tension Spring	1
19	A229 4708	Stepper Motor Bracket	1
20	AB01 4085	Idler Gear - 18/52Z	1
21	A134 5291	Jogger Drive Motor DC 6.48W	1
22	A229 4800	Exit Guide Plate (A292/A293)	1
22	B098 4800	Guide Plate:Duplex:Exit (B098)	1
23	A229 4487	Exit Tightener	1
24	AA06 0764	Tension Spring	1
25	AB01 4083	Reversal Roller Gear - 23Z	1
26	AB03 0583	Timing Pulley - 24Z	1
27	AA04 3390	Timing Belt - 40S2M192	1
28	A229 4813	Arm Pad	1
29	5053 0447	Bushing - 6mm	2

Index No.	Part No.	Description	Q'ty Per Assembly
101	0451 4006B	Tapping Screw - 4x6	
102	0434 0080B	Pan Head Self-tapping Screw - M4x8	
103	1105 0199	Clamp	
104	0720 0060B	Retaining Ring - M6	
105	0720 0040B	Retaining Ring - M4	
106	0453 3006B	Tapping Screw - M3x6	
107	1105 0283	Clamp	

49.INVERTOR & DUPLEX UNIT 5 (A292/A293/B098)

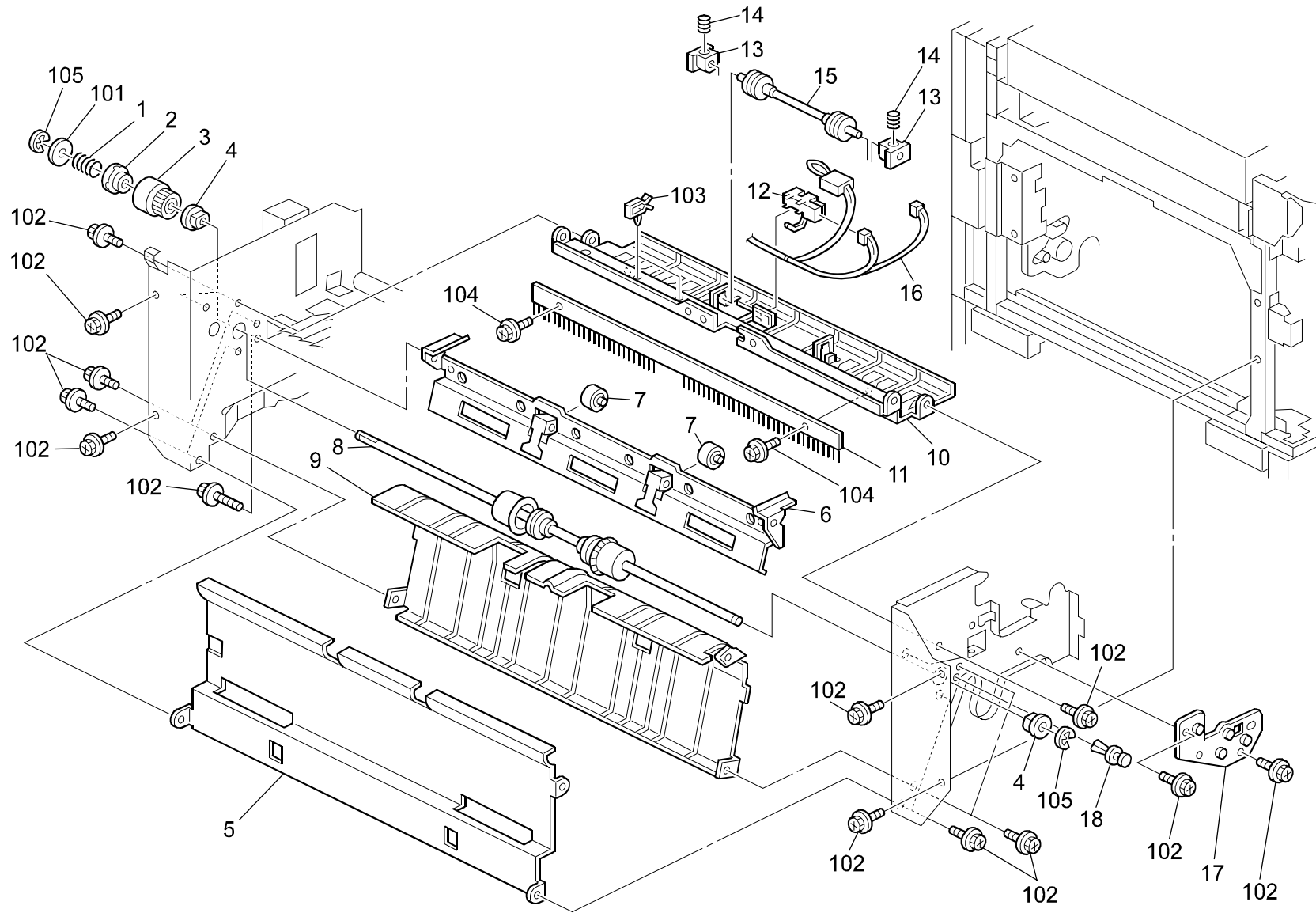


49.INVERTOR & DUPLEX UNIT 5 (A292/A293/B098)

Index No.	Part No.	Description	Q'ty Per Assembly
1	AA02 1025	Magnet Catch	1
2	AA14 3183	Stepped Screw	2
3	A232 3566	Ball Bearing - 8x16x5	2
4	AB03 0583	Timing Pulley - 24Z	2
5	5053 0447	Bushing - 6mm	4
6	A229 4755	Front Tightener	1
7	AA06 0742	Tension Spring	1
8	AB03 0431	Transport Pulley	1
9	AA04 3488	Timing Belt - Front Drive	1
10	AF02 0533	Duplex Roller	1
11	A229 4719	Lower Duplex Guide Plate	1
12	AF02 0435	Drive Roller	1
13	AF02 0436	Middle Drive Roller	1
14	AB01 4089	Side Fence Gear	1
15	A229 4688	Rear Side Fence Rack	1
16	A229 4685	Front Side Fence Rack	1
17	A293 4705	Upper Transport Guide Plate (A292/A293)	1
17	B098 4705	Stay:Guide Plate:Ass'y (B098)	1
18	AW02 0126	Photointerruptor	2
19	A293 4725	Sensor Bracket	1
20	AW02 0113	Photointerruptor	1
21	AB01 4086	Gear - 27Z	1
22	AB01 4087	Gear - 31Z	1
23	AB01 4088	Gear - 33Z	1

Index No.	Part No.	Description	Q'ty Per Assembly
101	0720 0060B	Retaining Ring - M6	
102	0720 0040B	Retaining Ring - M4	
103	0451 4006B	Tapping Screw - 4x6	
104	1105 0229	Clamp	
105	1105 0328	Harness Clamp - ES-0505	

50.PAPER EXIT 1 (A292/A293/B098)

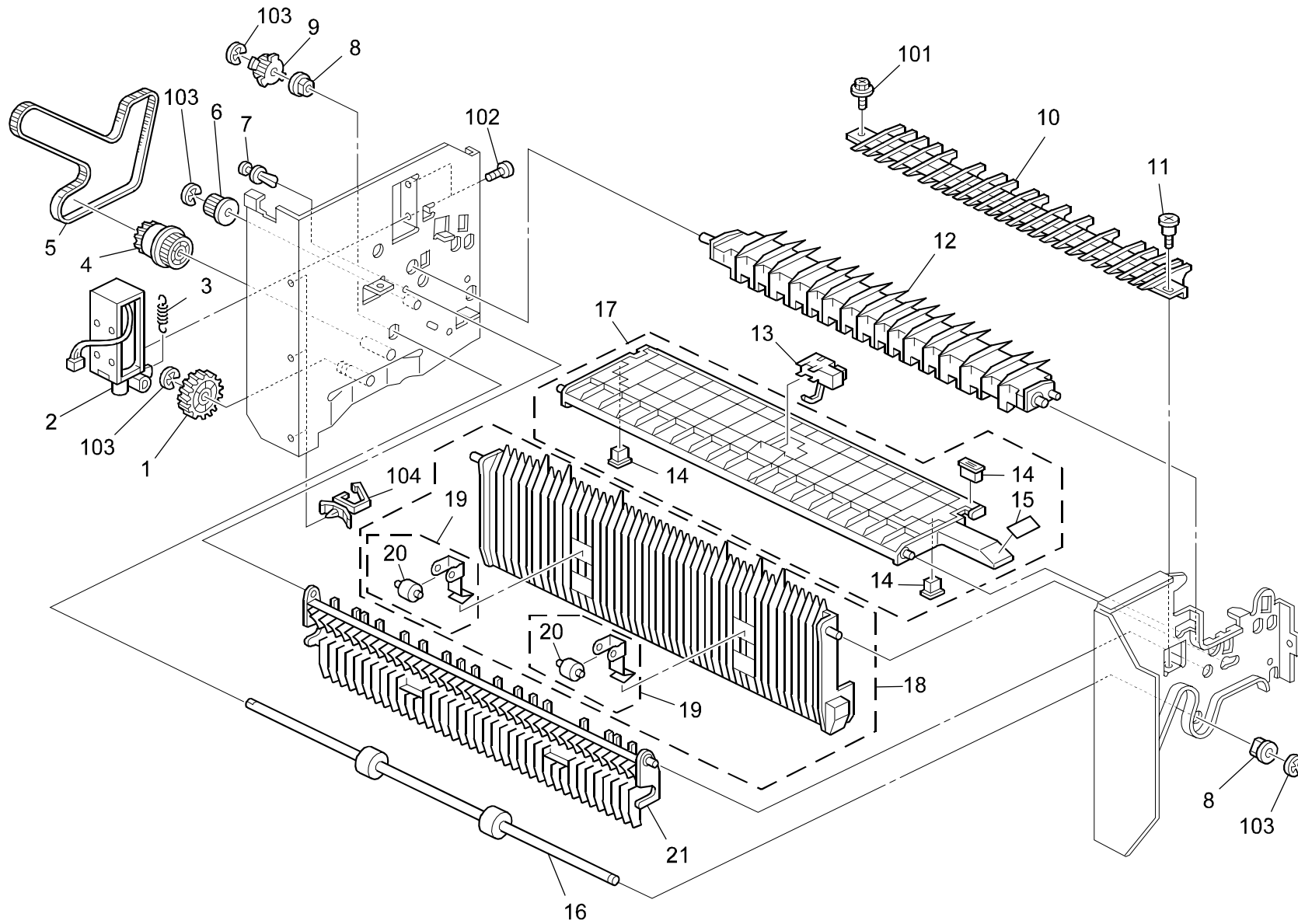


50.PAPER EXIT 1 (A292/A293/B098)

Index No.	Part No.	Description	Q'ty Per Assembly
1	A470 1704	Spring - Lower Exit Roller	1
2	A470 1703	Shift Clutch	1
3	AB03 0579	Timing Pulley - 27Z	1
4	AA08 2058	Bushing - 6x10x9mm	2
5	A293 4463	Exit Cover (A292/A293)	1
5	B098 4463	Cover:Exit (B098)	1
6	A229 4460	Exit Roller Bracket (A292/A293)	1
6	B098 4460	Bracket:Exit Roller:Ass'y (B098)	1
7	AF04 0031	Driven Roller	2
8	AF02 0508	Exit Drive Roller	1
9	A293 4456	Reverse Guide Plate (A292/A293)	1
9	B098 4456	Guide Plate:Reverse:Left (B098)	1
10	A229 4458	Exit Guide Plate (A292/A293)	1
10	B098 4458	Guide Plate:Exit:Exit (B098)	1
11	A229 4490	Discharge Brush	1
12	AW02 0106	Photointerruptor	1
13	AA08 0034	Bushing - 4x5x7	2
14	AA06 3577	Compression Spring	2
15	AF02 2126	Exit Roller - Driven	1
16	A293 5436	Paper Exit Unit Harness	1
17	A229 4484	Exit Drum Stay	1
18	A048 2838	Nylon Rivet	1

Index No.	Part No.	Description	Q'ty Per Assembly
101	0807 4146	Flat Washer - 6.3x18x1	
102	0451 4008B	Philips Tapping Screw - M4x8	
103	1105 0260	Wire Saddle	
104	0451 3006B	Tapping Screw - M3x6	
105	0720 0040B	Retaining Ring - M4	

51.PAPER EXIT 2 (A292/A293/B098)

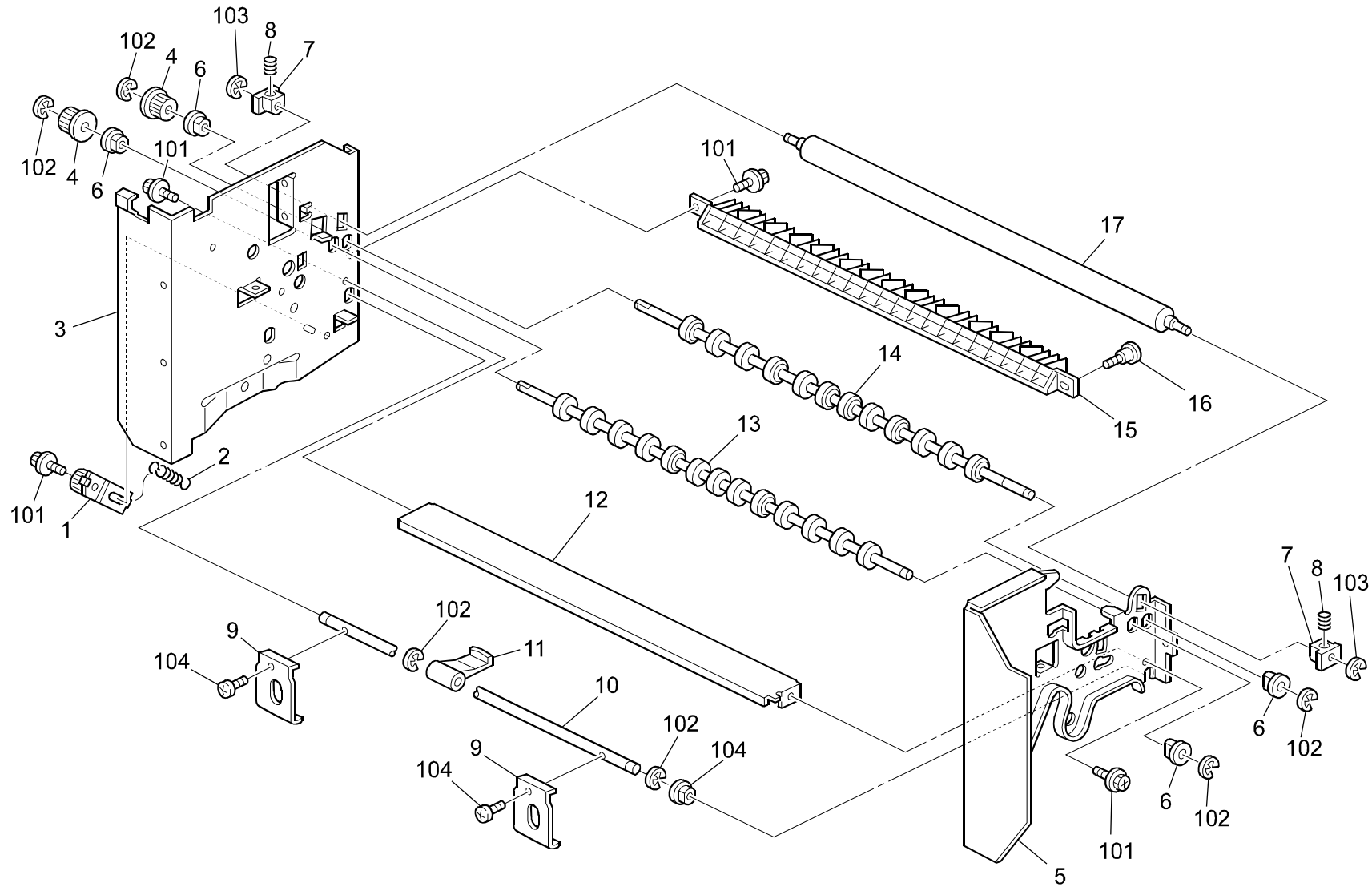


51.PAPER EXIT 2 (A292/A293/B098)

Index No.	Part No.	Description	Q'ty Per Assembly
1	AB01 4075	Exit Gear - 29Z	1
2	A229 4469	DC Solenoid	1
3	AA06 0717	Tension Spring	1
4	AB01 7465	Timing Pulley - 41Z 24Z	1
5	AA04 3270	Timing Belt - 40DS2M420G	1
6	AB03 0577	Timing Pulley - 20Z	1
7	A048 2838	Nylon Rivet	1
8	AA08 2058	Bushing - 6x10x9mm	2
9	AB03 0580	Timing Pulley - 27Z	1
10	A229 4476	Middle Guide Plate (A292/A293)	1
10	B098 4476	Guide Plate:Exit:Middle (B098)	1
11	A077 4162	Shoulder Screw - M3	1
12	A229 4475	Exit Gate Pawl (A292/A293)	1
12	B098 4475	Gate Pawl:Exit (B098)	1
13	AW02 0106	Photointerruptor	1
14	G012 1531	Magnet	3
15	A229 4492	Decal - Exit Guide	1
16	AF02 0429	Drive Reverse Roller	1
17	A229 4472	Exit Upper Guide Plate	1
18	A229 4478	Right Invertor Guide	1
19	A229 4481	Exit Holder - Roller Sub-Ass'y	2
20	AF04 0031	Driven Roller	2
21	A229 4477	Reverse Guide Plate	1

Index No.	Part No.	Description	Q'ty Per Assembly
101	0451 4008B	Philips Tapping Screw - M4x8	
102	0353 0040B	Screw - M3X4	
103	0720 0040B	Retaining Ring - M4	
104	1105 0260	Wire Saddle	

52.PAPER EXIT 3 (A292/A293/B098)

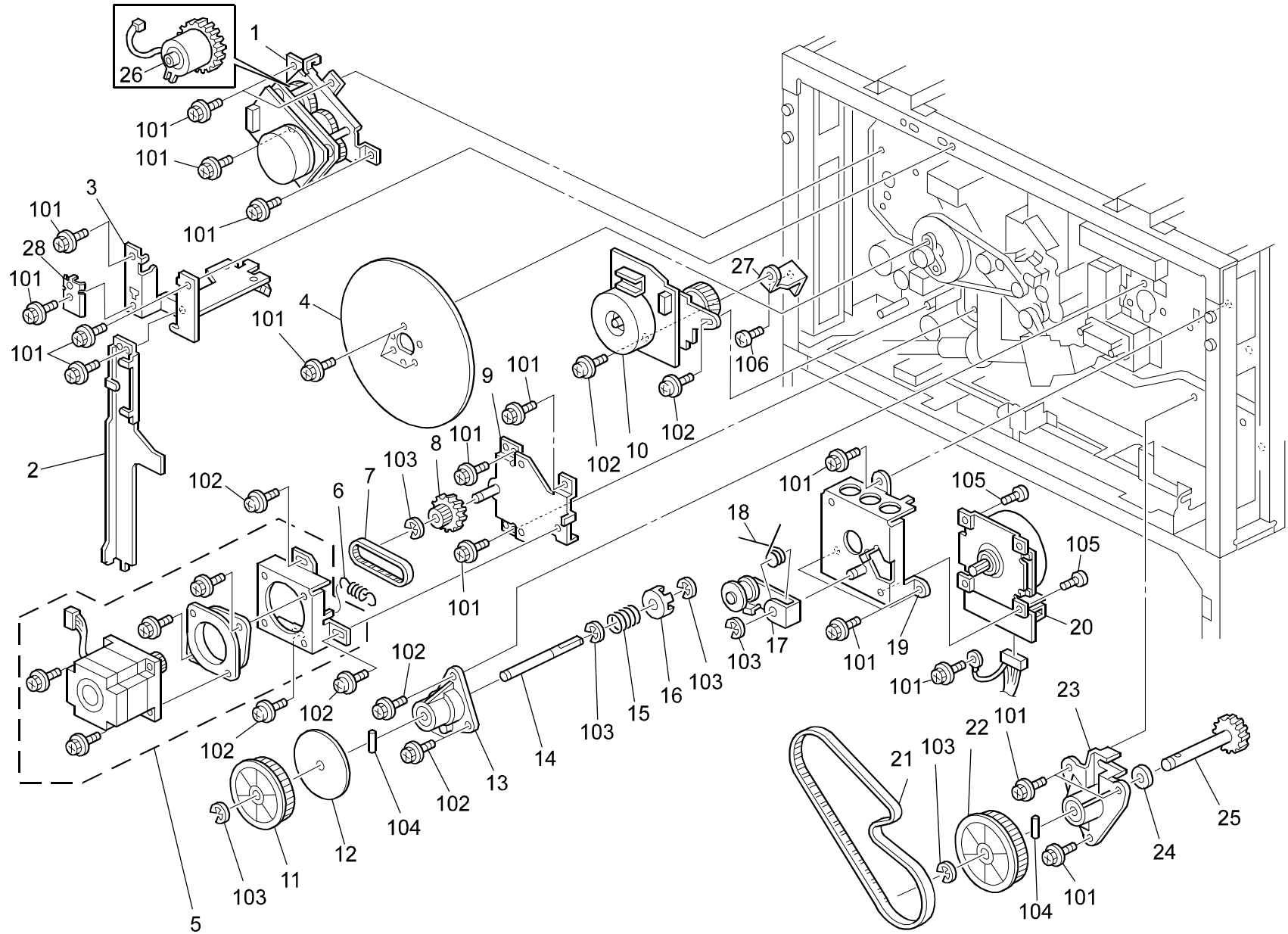


52.PAPER EXIT 3 (A292/A293/B098)

Index No.	Part No.	Description	Q'ty Per Assembly
1	A229 4487	Exit Tightener	1
2	AA06 0718	Tension Spring	1
3	A293 4451	Exit Rear Side Plate (A292/A293)	1
3	B098 4451	Side Plate:Rear:Exit:Ass'y (B098)	1
4	AB03 0578	Timing Pulley - 18Z	2
5	A229 4453	Exit Front Side Plate (A292/A293)	1
5	B098 4453	Side Plate:Front:Exit:Ass'y (B098)	1
6	AA08 2058	Bushing - 6x10x9mm	4
7	AA08 0240	Bushing - Mm5	2
8	AA06 3578	Compression Spring	2
9	A229 4467	Pressure Arm	2
10	A293 4466	Pressure Shaft	1
11	A229 4468	Guide Plate Lever	1
12	A229 4464	Right Exit Stay	1
13	AF02 0428	Exit Decura Roller	1
14	AF02 0427	Entrance Decura Roller	1
15	A229 4474	Exit Lower Guide Plate	1
16	A077 4162	Shoulder Screw - M3	1
17	A293 4469	Decura Driven Roller	1

Index No.	Part No.	Description	Q'ty Per Assembly
101	0451 4008B	Philips Tapping Screw - M4x8	
102	0720 0040B	Retaining Ring - M4	
103	0720 0030B	Retaining Ring - M3	
104	0353 0060B	Philips Pan Head Screw - M3x6	

53.DRIVE SECTION 1 (A292/A293/B098)

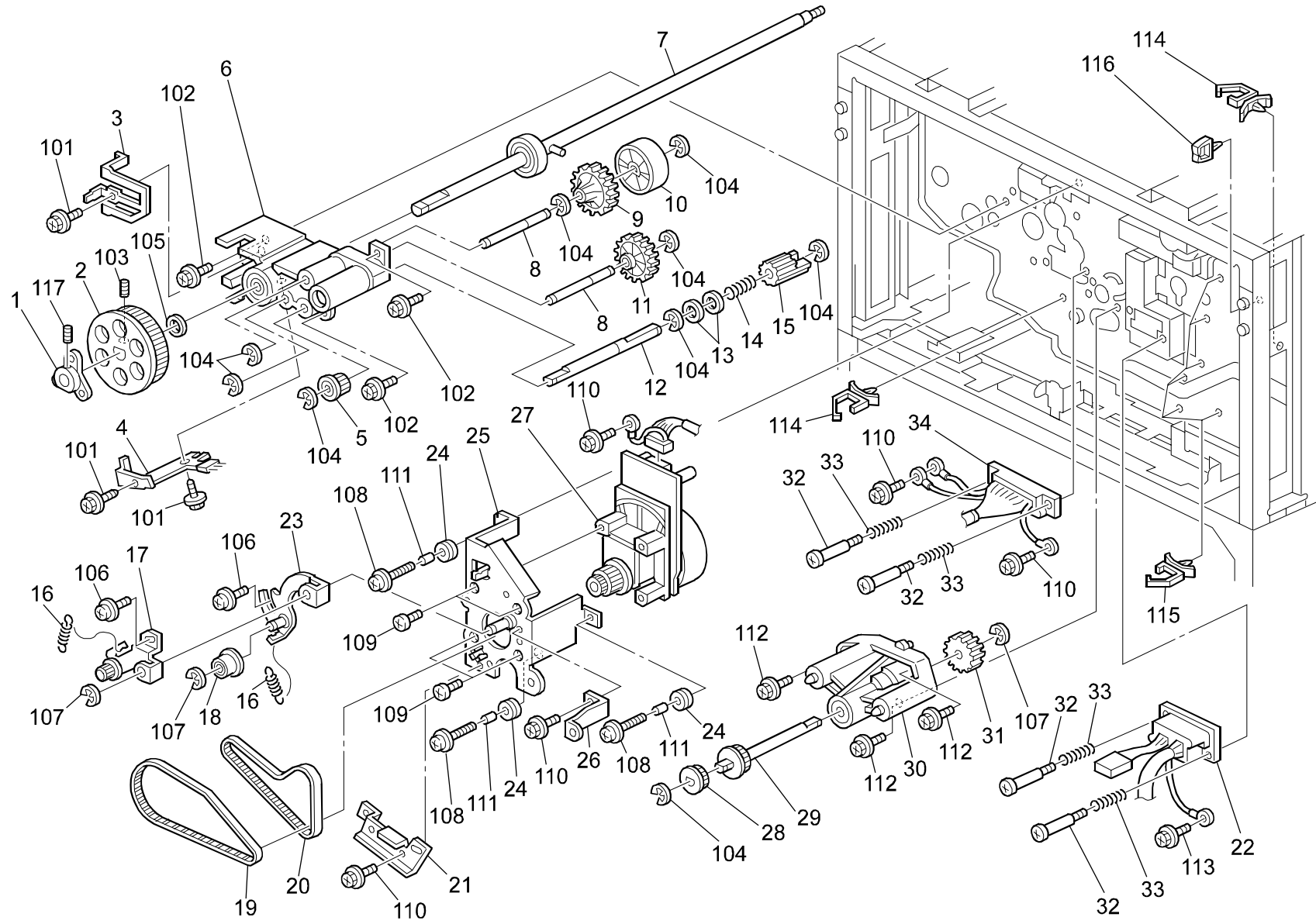


53.DRIVE SECTION 1 (A292/A293/B098)

Index No.	Part No.	Description	Q'ty Per Assembly
1	A293 5305	DC Motor - 20.7W	1
2	A229 5865	Harness Guide	1
3	A229 5891	Main Harness Guide (A292/A293)	1
3	B098 5891	Guide:Harness:Main:Ass'y (B098)	1
4	A134 1135	Fly Wheel (A292/A293)	1
4	B098 1135	Fly Wheel (B098)	1
5	A229 1026	Stepper Motor Ass'y - DC14.1W	1
6	AA06 0720	Tension Spring - 7.75N	1
7	AA04 3269	Timing Belt - S2M114	1
8	AB01 7449	Gear - 21Z/24T	1
9	A229 1133	Stepper Motor Base Ass'y	1
10	A293 2845	DC Motor - 9W	1
11	AB03 0427	Pulley - 81Z	1
12	A229 1135	Ring - 55	1
13	A096 1165	Fusing Drive Bracket	1
14	A229 1136	Fusing Drive Shaft	1
15	AA06 3490	Spring - 21.6mm	1
16	A096 1173	Fusing Drive Joint	1
17	A229 1139	Tightener	1
18	AA06 6309	Torsion Spring	1
19	A229 1122	Motor Bracket	1
20	AX06 0188	DC Motor - 32W	1
21	AA04 3277	Timeng Belt - 656P2M6	1
22	AB03 0573	Pulley - 102Z (A292/A293)	1
22	AB03 0753	Pulley:T81 (B098)	1
23	A293 1155	Duplex Drive Bracket	1
24	A001 2582	Spacer - 8x10x1.6mm	1
25	A293 1138	Duplex Drive Shaft	1
26	AX20 0093	Magnetic Clutch	1
27	A293 2666	Bracket - By-pass Feed Motor	1
28	B098 5419	Ground Plate:Control Board:Printer (B098)	1

Index No.	Part No.	Description	Q'ty Per Assembly
101	0451 4008B	Philips Tapping Screw - M4x8	
102	0951 4008B	Philips Screw With Washer - M4x8	
103	0720 0060B	Retaining Ring - M6	
104	0623 0140E	Spring Pin - 3x14mm	
105	0354 0050B	Bind Screw - M4x5	
106	0951 4006B	Philips Screw With Washer - M4x6	

54.DRIVE SECTION 2 (A292/A293/B098)

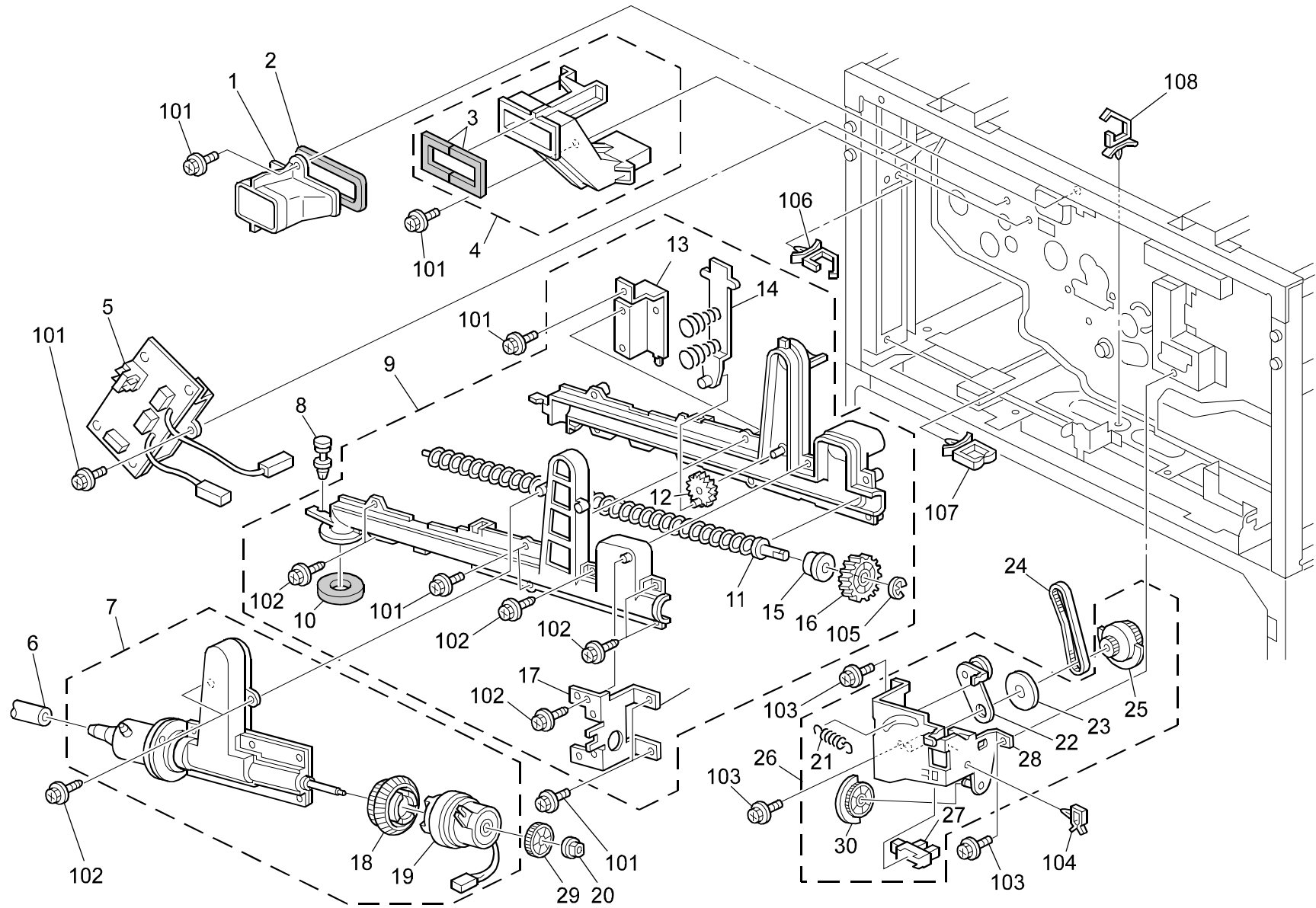


54.DRIVE SECTION 2 (A292/A293/B098)

Index No.	Part No.	Description	Q'ty Per Assembly
1	AA13 4092	Flange - Fly Wheel	1
2	A096 2316	Drum Pulley - 125Z (A292/A293)	1
2	B098 2316	Pulley:Drum:Z125 (B098)	1
3	A247 2327	Terminal Development Bias	1
4	A247 2341	Electrode Plate - Drum Shaft	1
5	AB03 0644	Pulley - Clening Drive	1
6	A294 3680	Drum Shaft Stay	1
7	A229 1141	Drum Drive Shaft (A292/A293)	1
7	B098 1141	Shaft:Drum:Drive:Ass'y (B098)	1
8	AA14 8579	Shaft - Transport Slide	2
9	AB01 7473	Gear - 32Z	1
10	A294 3671	Cam - Blade Slide	1
11	AB01 2002	Gear - 13Z	1
12	AA14 8578	Shaft - Cleaning Drive	1
13	AA13 2024	Spacer - M6	2
14	AA06 3604	Pressure Spring	1
15	A294 3656	Gear Joint - Z16	1
16	AA06 0719	Tension Spring - 9.34N	2
17	A096 1115	Tightener	1
18	AB03 2716	Idle Pulley - M18	1
19	AA04 3267	Timing Belt - 426P2M6	1
20	AA04 3284	Timing Belt - 300P3M6	1
21	A293 1145	Drum Shaft Stay	1
22	A293 5600	AC Main Harness (120V)	1
22	A293 7651	AC Main Harness - 230V	1
23	A229 1130	Cleaning Tightener Ass'y	1
24	AA16 1104	Cushion - Motor	3
25	A229 1120	Main Motor Bracket	1
26	A293 5853	Right Fix Bracket	1
27	AX06 0187	DC Motor - 22.7W	1
28	AB03 0720	Toner Recycling Pulley 50T	1
29	A293 1126	Belt Drive Shaft	1
30	A096 1123	Belt Drive Bracket	1
31	AB01 4163	Drive Gear - Transfer Belt	1
32	5446 5832	Connector Guide Pin	4

Index No.	Part No.	Description	Q'ty Per Assembly
33	AA06 3068	Spring Connector	4
34	A293 5415	Process Control Harness	1
101	0450 3008B	Tapping Screw - M3x8	
102	0951 4012B	Philips Screw With Flat Washer	
103	0574 0050E	Hexagon Headless Set Screw - M4x5 (A292/A293)	
103	0451 4012Z	Tapping Screw M4x12 (B098)	
104	0720 0040B	Retaining Ring - M4	
105	0807 7039	Spacer - M12	
106	0951 4008B	Philips Screw With Washer - M4x8	
107	0720 0060B	Retaining Ring - M6	
108	0951 4010B	Philips Screw With Washer - M4x10	
109	0354 0050B	Bind Screw - M4x5	
110	0451 4008B	Philips Tapping Screw - M4x8	
111	0707 4050B	Bushing - 4 X5	
112	0451 4012B	Tapping Screw - 4x12	
113	0801 0149	Philips Pan Head Screw - M4x6	
114	1105 0310	Harness Clamp - LWS-1S	
115	1105 0290	Harness Clamp - Horizontal	
116	1105 0230	Clamp	
117	0574 0040E	Hexagon Headless Set Screw - M4x4	

55.DRIVE SECTION 3 (A292/A293/B098)

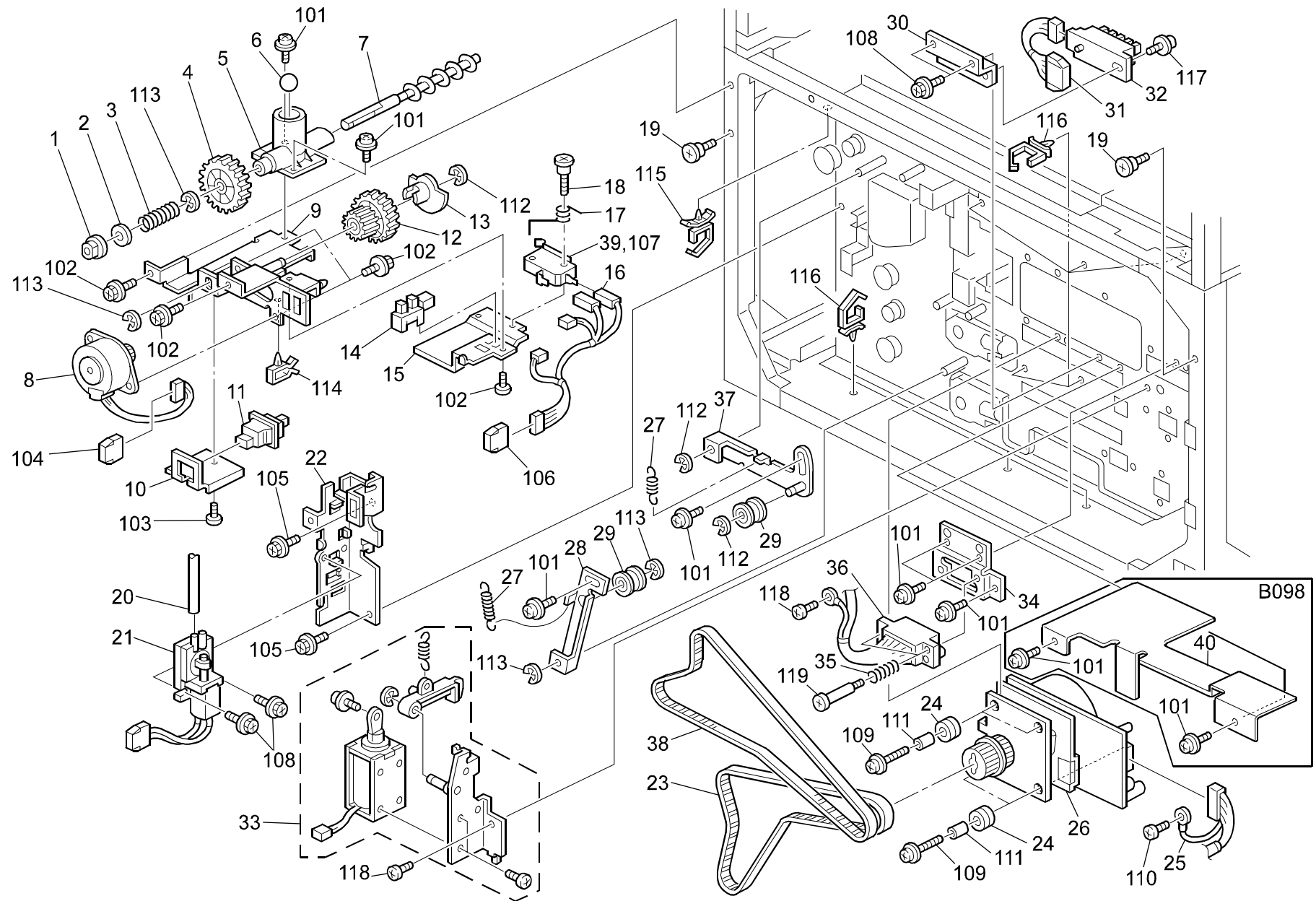


55.DRIVE SECTION 3 (A292/A293/B098)

Index No.	Part No.	Description	Q'ty Per Assembly
1	A096 2083	Middle Duct (A292/A293)	1
1	B098 2083	Duct:Vacuum:Middle:Sub-Ass'y (B098)	1
2	AA15 1770	Middle Duct Seal	1
3	AA15 3115	Sheal - Drum Cooling Duct	1
4	A293 1115	Drum Cooling Duct (A292/A293)	1
4	B098 1115	Duct:Cooling:Drum:Ass'y (B098)	1
5	A229 5016	Power Pack Ass'y	1
6	A229 3555	Toner Recycling Tube	1
7	A229 3551	Toner Recycling Pump (A292/A293)	1
7	B098 3551	Pump:Toner Recycling:Ass'y (B098)	1
8	A096 3697	Ratch	1
9	A229 3554	Toner Outlet Unit (A292/A293)	1
9	B098 3554	Toner Outlet Unit:Ass'y (B098)	1
10	AA15 1814	Joint Seal - 21x32x10	1
11	AD04 3052	Transport Screw	1
12	AB01 5014	Toner Recycling Gear - 10Z	1
13	A229 3572	Right Bracket	1
14	A229 3641	Agitator Ass'y	1
15	AA08 0187	Bushing - MM6	3
16	AB01 3846	Gear - 28Z	1
17	A229 3639	Left Bracket	1
18	AB01 7466	Gear - Z46/Z32	1
19	AX20 0152	Magnetic Clutch	1
20	H053 2208	Bushing - M4	1
21	AA06 0722	Tension Spring	1
22	A229 3586	Tightener	1
23	A017 2988	Ring	1
24	AA04 3573	Timing Belt - 240P2M3	1
25	AB01 7467	Gear - 31Z/30T	1
26	A229 3584	Drive Sub-unit - Toner Recycling	1
27	AW02 0056	Photointerrupter - EE-SX4235A-P1	1
28	A229 3585	Bracket - Toner Recycling Drive	1
29	AB01 2019	Gear - 25Z	1
30	AB01 2020	Gear - 28Z	1

Index No.	Part No.	Description	Q'ty Per Assembly
101	0451 4008B	Philips Tapping Screw - M4x8	
102	0450 3008B	Tapping Screw - M3x8	
103	0451 4008W	Tapping Screw - M4x8	
104	1105 0267	Harness Clamp - YMC-10-0	
105	0720 0040B	Retaining Ring - M4	
106	1105 0291	Harness Clamp - LWS-3S	
107	1105 0201	Harness Clamp	
108	1105 0316	Clamp	

56.DRIVE SECTION 4 (A292/A293/B098)



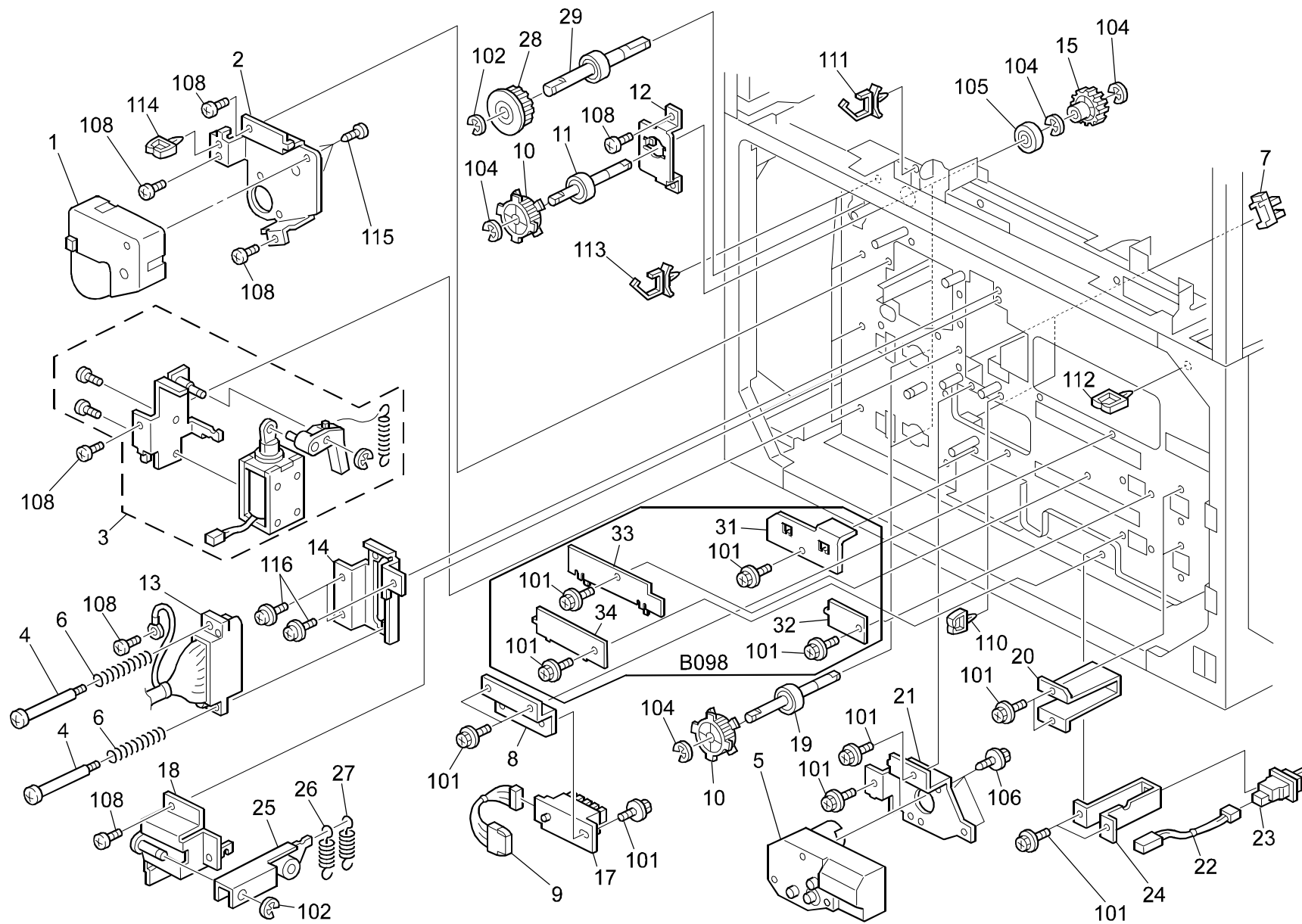
56.DRIVE SECTION 4 (A292/A293/B098)

Index No.	Part No.	Description	Q'ty Per Assembly
1	5053 0709	Bushing - 6x10x6mm	1
2	AA13 2024	Spacer - M6	1
3	AA06 3375	Spring - 24.3mm	1
4	AB01 1129	Gear - 45Z	1
5	A096 3729	Toner Collection Joint (A292/A293)	1
5	B098 3729	Case:toner Collection Coil:Ass'y (B098)	1
6	A096 3736	Steel Ball - M11	1
7	AD04 3032	Toner Collection Coil	1
8	A096 5330	Toner Collection Motor - 12W	1
9	A096 3722	Toner Collection Bracket	1
10	A096 3763	Push Switch Bracket	1
11	AW50 0012	Push Switch	1
12	AB01 7289	Gear - 17/45Z	1
13	A096 3752	Shutter Plate	1
14	AW02 0056	Photointerrupter - EE-SX4235A-P1	1
15	A096 3742	Sensor Bracket	1
16	A096 5414	Toner Collection Harness	1
17	A423 4433	Spring	1
18	A423 4432	Shoulder Screw - M2.5	1
19	5919 2201	Shoulder Screw - M4	1
20	A229 3564	Air Tube	1
21	A293 3624	Pump Unit - DC24V SUB-Ass'y	1
22	A293 3623	Pump Unit Bracket	1
23	AA04 3549	Timing Belt - 660P3M6530	1
24	AA16 1104	Cushion - Motor	4
25	A293 7603	Paper Feed Motor Harness	1
26	A293 6160	DC Motor - 18W	1
27	AA06 0524	Tension Spring - 24.8mm	2
28	A096 6186	Lower Tightner - P/B	1
29	AB03 2721	Pulley - M18	2
30	A096 6177	Paper Size Bracket (A292/A293)	1
30	B098 6177	Bracket:Sensor:Paper Size Sensor (B098)	1
31	A096 5416	Paper Size Harness	1
32	AW50 0010	Push Switch (A292/A293)	1
32	AW50 0028	Push Switch:Paper Size Sensor (B098)	1

Index No.	Part No.	Description	Q'ty Per Assembly
33	A248 6758	DC Lock Solenoid	1
34	A248 6757	Left Connector Bracket	1
35	AA06 3268	Connector Spring	2
36	A293 7601	Rear Paper Bank Harness	1
37	A248 6186	Upper Tightener	1
38	AA04 3550	Timing Belt - 756P3M6530	1
39	H310 5071	Micro Switch V-5F936DN (B098)	1
40	B098 6814	Shielding Plate:Motor:Bank:Lower (B098)	1
101	0951 4006B	Philips Screw With Washer - M4x6	
102	0314 0060B	Philips Pan Head Screw - M4x6	
103	0313 0060B	Philips Pan Head Screw - M3x6	
104	1102 6248	Connector - 5P	
105	0434 0060B	Pan Head Self-tapping Screw - M4x6	
106	1102 6250	Connector - 7P	
107	1204 2363	Microswitch - AH735454N (A292/A293)	
108	0451 3008B	Tapping Screw - M3x8	
109	0951 4012W	Philips Screw With Washer - M4x12	
110	0451 4008B	Philips Tapping Screw - M4x8	
111	0707 4050B	Bushing - 4 X5	
112	0720 0060B	Retaining Ring - M6	
113	0720 0040B	Retaining Ring - M4	
114	1105 0087	Clamp	
115	1105 0291	Harness Clamp - LWS-3S	
116	1105 0310	Harness Clamp - LWS-1S	

57.DRIVE SECTION 5 (A292/A293/B098)

Rev. 10/30/2002



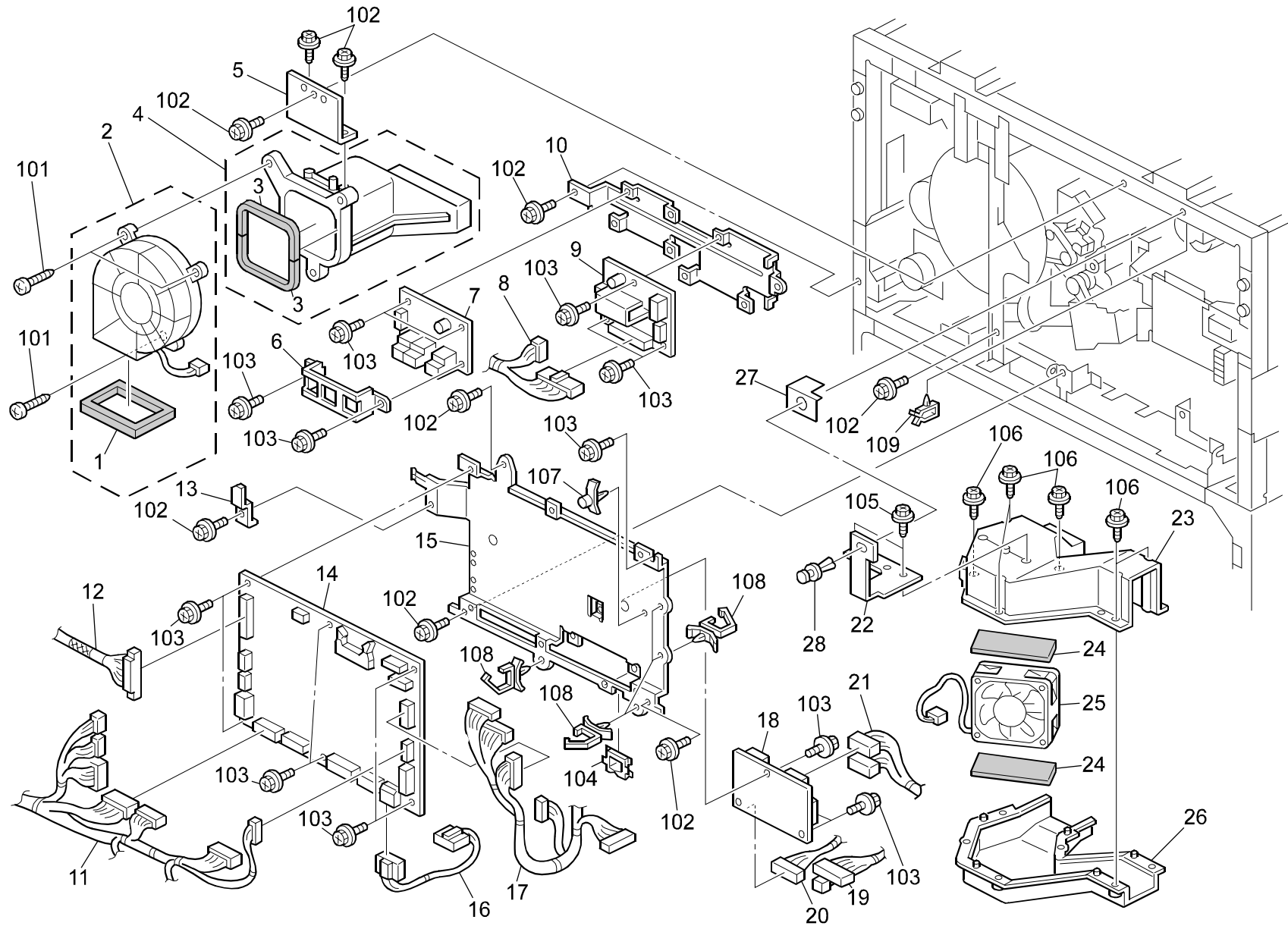
57.DRIVE SECTION 5 (A292/A293/B098)

Rev. 10/30/2002

Index No.	Part No.	Description	Q'ty Per Assembly
1	A248 6167	DC Motor - 19.2W	1
2	A248 6168	Bracket - Lift Motor	1
3	A248 6750	DC Solenoid - Coupling	1
4	AA14 3452	Connector Guide Pin	2
5	AX04 0123	DC Motor - 1.7W	2
6	AA06 3880	Spring	2
7	AW02 0056	Photointerrupter - EE-SX4235A-P1	2
8	A096 6177	Paper Size Bracket	1
9	A096 5416	Paper Size Harness	1
10	AB03 0667	Timing Pulley - 32T	3
11	A229 6197	Drive Shaft - 1st Feed	1
12	A247 6165	Paper Support Plate	1
13	A293 7601	Rear Paper Bank Harness	1
14	A248 6767	Right Connector Bracket	1
15	AB01 3781	Gear - 30Z	3
17	AW50 0010	Push Switch	1
18	A293 6766	Arm Bracket	1
19	A229 6199	Lower Drive Shaft	2
20	A096 6158	Paper Tray Stopper	2
21	A293 6168	Lift Motor Bracket (A292/A293)	2
21	B098 6168	Bracket:Lift Motor:Paper Tray (B098)	2
22	A096 5415	Tray Set Harness	1
23	AW50 0012	Push Switch	2
24	A096 6164	Push Switch Bracket	1
25	A248 6792	Lock Arm - Tandem Tray	1
26	AA06 2252	Spring - Small	1
27	AA06 2251	Spring - Large	1
28	AB03 0668	Pulley - 34Z	1
29	A293 6199	Drive Shaft	1
30	A267 1820	Sheet - Photointerrupter (Not Shown)	2
31	B098 6813	Cover:Lift Motor:Lower (B098)	1
32	B098 6812	Cover:Side Plate:Rear:Sensor (B098)	1
33	B098 6811	Cover:Side Plate:Rear:No.2 (B098)	1
34	B098 6810	Cover:Side Plate:Rear:Lower (B098)	1

Index No.	Part No.	Description	Q'ty Per Assembly
101	0451 4008B	Philips Tapping Screw - M4x8	
102	0720 0040B	Retaining Ring - M4	
103	1102 6245	Relay Connector - 2P	
104	0720 0060B	Retaining Ring - M6	
105	0740 3008	Ball Bearing - 8x22x7	
106	0450 4016B	Tapping Screw - 4x16	
107	0313 0050B	Philips Pan Head Screw - M3x5	
108	0434 0080B	Pan Head Self-tapping Screw - M4x8	
109	0803 0058	Stepped Screw	
110	1105 0230	Clamp	
111	1105 0310	Harness Clamp - LWS-1S	
112	1105 0229	Clamp	
113	1105 0291	Harness Clamp - LWS-3S	
114	1105 0199	Clamp	
115	0414 0102B	Tapping Screw M4 X 10	

58.ELECTRICAL SECTION 1 (A292/A293/B098)

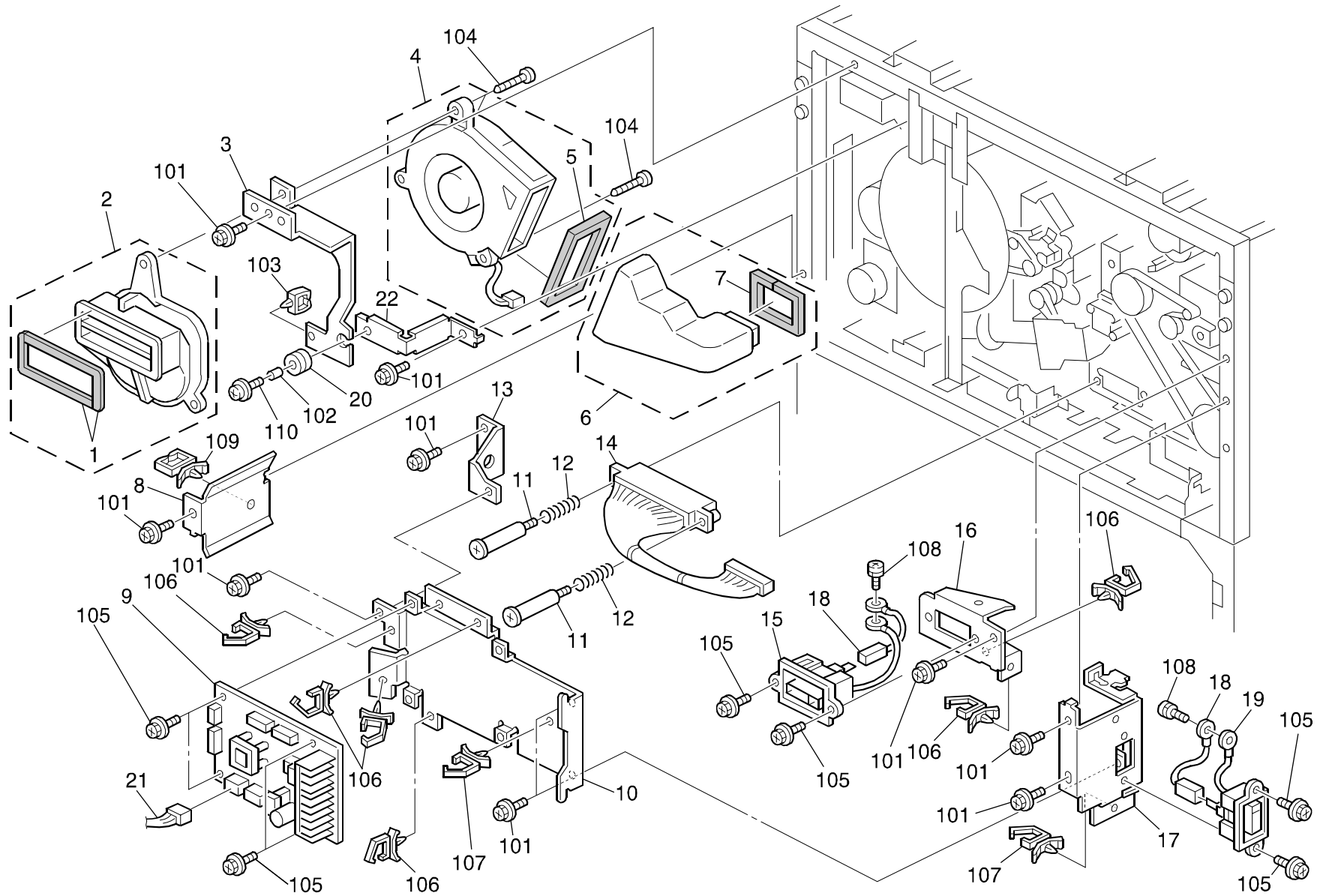


58.ELECTRICAL SECTION 1 (A292/A293/B098)

Index No.	Part No.	Description	Q'ty Per Assembly
1	AA15 1775	Seal - Fan	1
2	A293 1097	Fan Motor - DC 8.5W	1
3	AA15 3114	Sheal - Rear Duct	2
4	A293 1125	Rear Duct	1
5	A293 1134	Rear Duct Bracket	1
6	A293 5871	CSS Board Bracket	1
7	A265 5154	CSS Board	1
8	A293 5419	DRB Harness	1
9	A293 5150	Driver Board	1
10	A293 5863	Driver Board Bracket	1
11	A293 5416	Right Harness	1
12	A293 5400	BICU Cable	1
13	A229 5872	Harness Clamp	1
14	A293 5120	I/O Board (A292/A293)	1
14	B098 5120	PCB:I/O (B098)	1
15	A293 5845	Bracket - I/O Board	1
16	A293 5501	Harness - CNB/IOB	1
17	A293 5417	Left Harness (A292/A293)	1
17	B098 5417	Harness:Machine Or Copier:Left (B098)	1
18	A293 5140	Connector Board	1
19	A293 5420	CNB Harness	1
20	A293 5421	Safety Switch Harness	1
21	A293 5503	Harness - CNB/ADF/FIN	1
22	A293 1133	Exhaust Duct Bracket	1
23	A293 1131	Upper Exhaust Duct (A292/A293)	1
23	B098 1131	Duct:Exhaust:Upper (B098)	1
24	AA15 3110	Duct Shield - Exhaust Fan	2
25	AX64 0082	Fan Motor - DC24V 1.8W	1
26	A293 1132	Lower Exhaust Duct (A292/A293)	1
26	B098 1132	Duct:Exhaust:Lower (B098)	1
27	A293 1135	Duct Spacer	1
28	A229 1192	Rivet - 4mm	1

Index No.	Part No.	Description	Q'ty Per Assembly
101	0452 4016B	Tapping Bind Screw - M4x16	
102	0451 4008B	Philips Tapping Screw - M4x8	
103	0451 3008B	Tapping Screw - M3x8	
104	1105 0243	Wire Saddle	
105	0450 4008B	Tapping Screw - 4x8	
106	0450 3008B	Tapping Screw - M3x8	
107	1106 0554	Locking Support	
108	1105 0291	Harness Clamp - LWS-3S	
109	1105 0267	Harness Clamp - YMC-10-0	

59.ELECTRICAL SECTION 2 (A292/A293/B098)

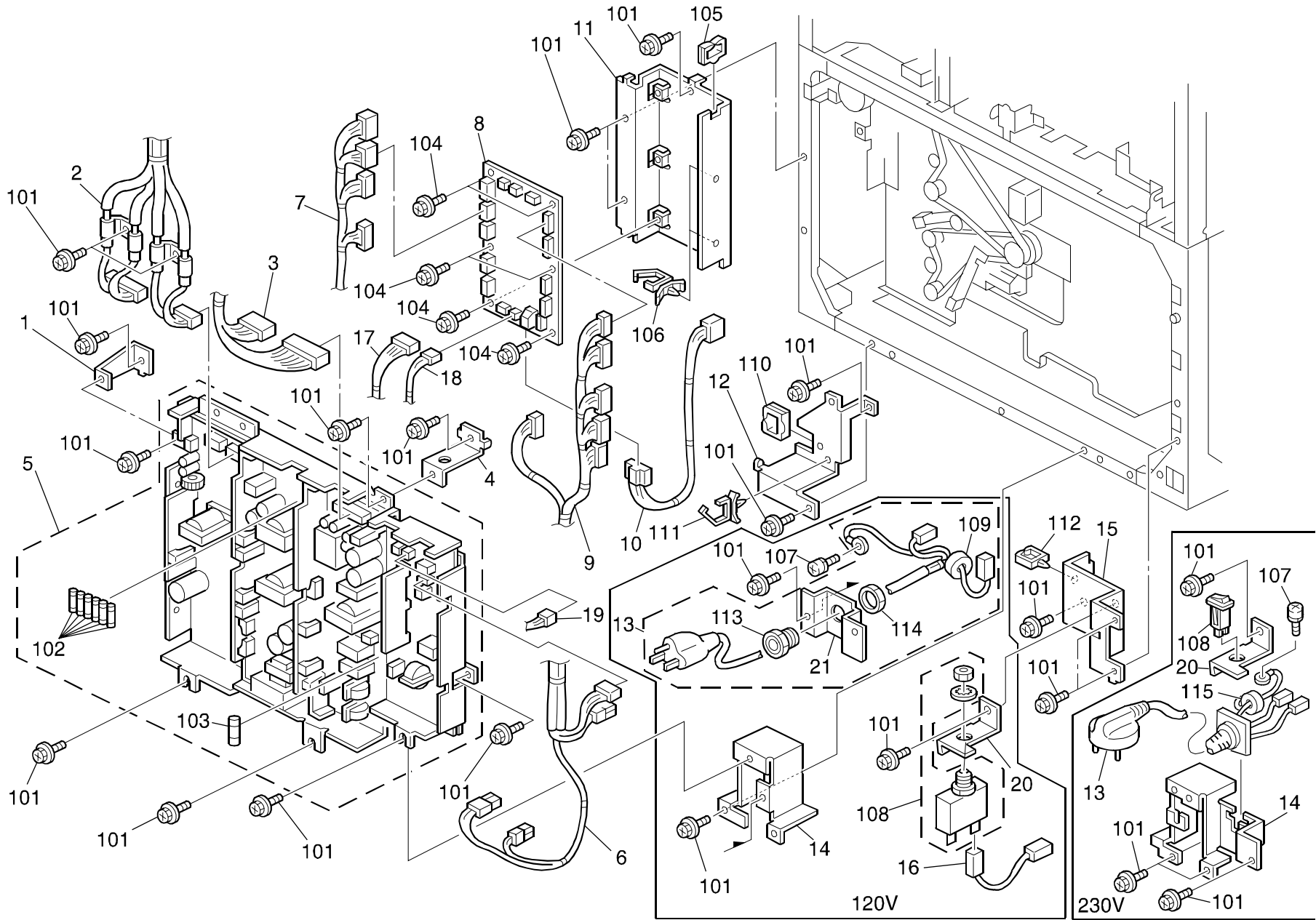


59.ELECTRICAL SECTION 2 (A292/A293/B098)

Index No.	Part No.	Description	Q'ty Per Assembly
1	AA15 3109	Shield - Vacuum Fan Duct	2
2	A293 1120	Vacuum Fan Duct	1
3	A293 1123	Bracket - Vacuum Fan Duct	1
4	A293 1095	Sirocco Fan - DC24V	1
5	AA15 1775	Seal - Fan	1
6	A293 1119	Vacuum Duct	1
7	AA15 1771	Seal - 5x10x138	1
8	A229 5867	Plate Bracket	1
9	A293 5180	MCU Board (A292/A293)	1
9	B070 5100	PCB:MCU (B098)	1
10	A293 5859	MCU Board Bracket	1
11	5446 5832	Connector Guide Pin	2
12	AA06 3068	Spring Connector	2
13	A293 5870	MCU Fixing Bracket	1
14	A293 5418	Interface Harness - Duplex Unit	1
15	A293 5510	ADF Interface Connector	1
16	A229 5861	Plug Bracket - ADF	1
17	A293 5862	Connector Bracket - Finisher Cable	1
18	A229 5505	Interface Ground Wire	2
19	A229 5506	Interface Harness	1
20	AA16 1104	Cushion - Motor	1
21	A293 5468	Interface Harness - Exposure Lamp	1
22	A293 1124	Bracket - Vacuum Fan Duct	1

Index No.	Part No.	Description	Q'ty Per Assembly
101	0451 4008B	Philips Tapping Screw - M4x8	
102	0707 4050B	Bushing - 4 X5	
103	1105 0199	Clamp	
104	0452 4016B	Tapping Bind Screw - M4x16	
105	0451 3008B	Tapping Screw - M3x8	
106	1105 0310	Harness Clamp - LWS-1S	
107	1105 0291	Harness Clamp - LWS-3S	
108	0801 0149	Philips Pan Head Screw - M4x6	
109	1105 0201	Harness Clamp	
110	0951 4010B	Philips Screw With Washer - M4x10	

60.ELECTRICAL SECTION 3 (A292/A293/B098)

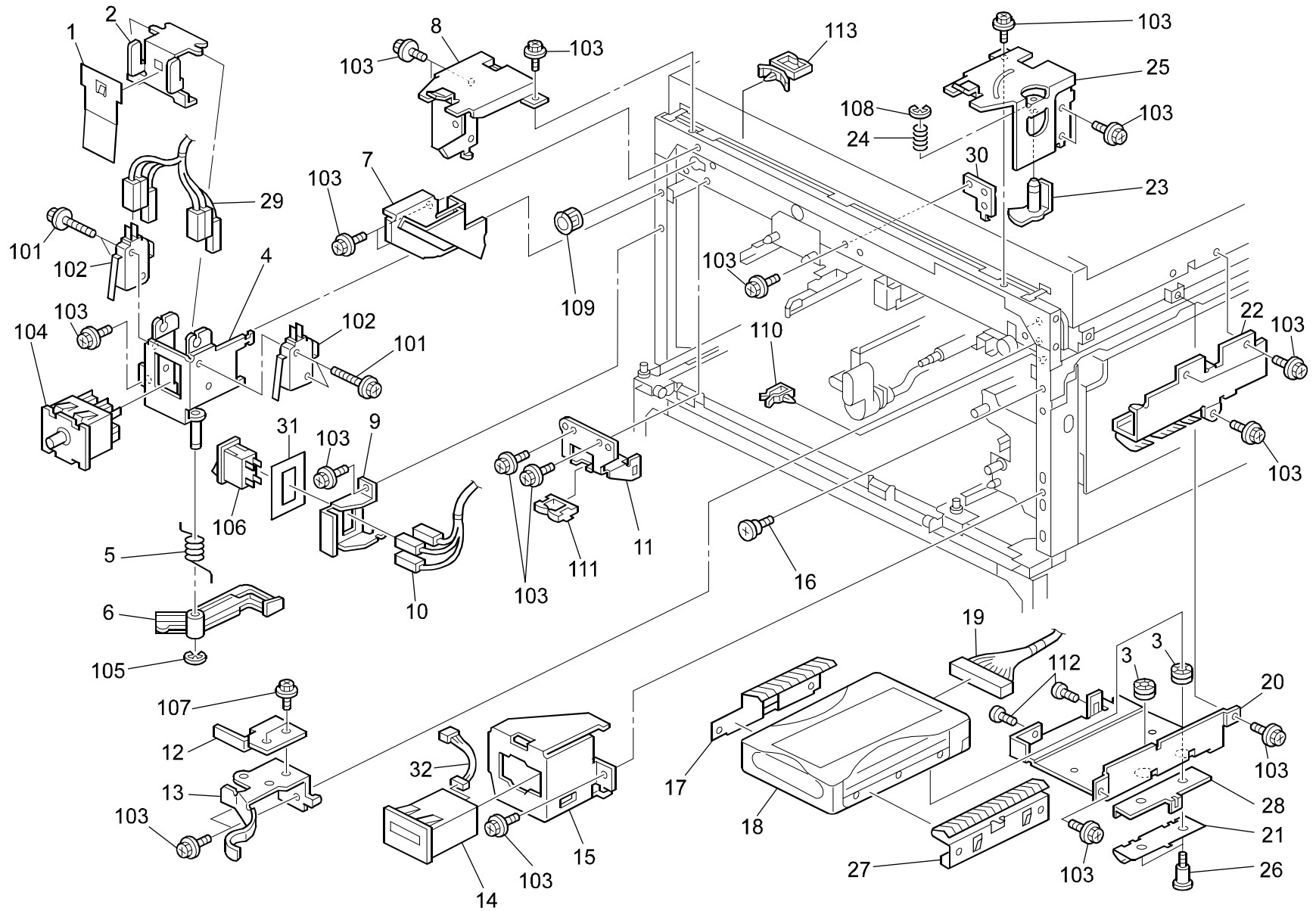


60.ELECTRICAL SECTION 3 (A292/A293/B098)

Index No.	Part No.	Description	Q'ty Per Assembly
1	A293 5876	Right Fix Bracket	1
2	A293 5507	BICU Harness - DC Power	1
3	A293 5508	CNB Harness - DC Power	1
4	A229 5887	Upper Fix Bracket	1
5	AZ24 0056	Power Supply Unit - 120V (A292/A293)	1
5	AZ24 0057	Power Supply Unit - 230V (A292/A293)	1
5	AZ24 0080	Power Supply Unit:NA (B098)	1
5	AZ24 0081	Power Supply Unit:EU (B098)	1
6	A293 5600	AC Main Harness	1
7	A293 7602	Front Paper Bank Harness	1
8	A293 7510	Paper Feed Control Board	1
9	A293 7601	Rear Paper Bank Harness	1
10	A293 5502	Harness - DC Power Supply	1
11	A229 5873	Paper Feed Control Board Bracket	1
12	A229 5874	Fix Bracket (A292/A293)	1
12	B098 5874	Bracket:Paper Feed Control Board (B098)	1
13	A293 7723	Power Supply Cord - 120V (A292/A293)	1
13	AZ00 0070	Power Supply Cord - 230V (A292/A293)	1
13	A293 7724	Power Supply Cord:NA:Ass'y (B098)	1
13	A293 7717	Power Supply Cord:EU:Ass'y (B098)	1
14	A229 5876	Bracket - Power Supply Cord (230V)	1
14	A229 5883	Bracket - Power Supply Cord (120V)	1
15	A229 5878	Left Fix Bracket	1
16	A229 5602	Circuit Breaker Harness	1
17	A293 7603	Paper Feed Motor Harness	1
18	A229 5483	Safety Switch Harness	1
19	A293 5423	Relay Harness - Power Supply Unit	1
20	A229 5880	Circuit Braker Bracket - 120V	1
20	A229 5881	Circuit Braker Bracket - 230V	1
21	A229 5899	Cord Holder (120V)	1

Index No.	Part No.	Description	Q'ty Per Assembly
101	0451 4008B	Philips Tapping Screw - M4x8	
102	1107 0869	Fuse - 6.3A 125V	
102	1107 0880	Fuse - 6.3A 250V	
103	1107 0864	Fuse - 12A	
104	0451 3008B	Tapping Screw - M3x8	
105	1105 0349	Edge Saddle	
106	1105 0291	Harness Clamp - LWS-3S	
107	0801 0149	Philips Pan Head Screw - M4x6	
108	1107 0473	Circuit Breaker - 250V 10A (230V)	
108	1107 0866	Circuit Breaker - 250V 18A (120V)	
109	1201 0045	Ferrite Core	
110	1105 0430	Edging	
111	1105 0310	Harness Clamp - LWS-1S	
112	1105 0230	Clamp	
113	1106 0823	Power Cord Bushing - ST-16 (120V)	
114	1106 0824	Power Cord Bushing - GMP-16 (120V)	
115	1607 0672	Ferrite Core	

61.ELECTRICAL SECTION 4 (A292/A293/B098)

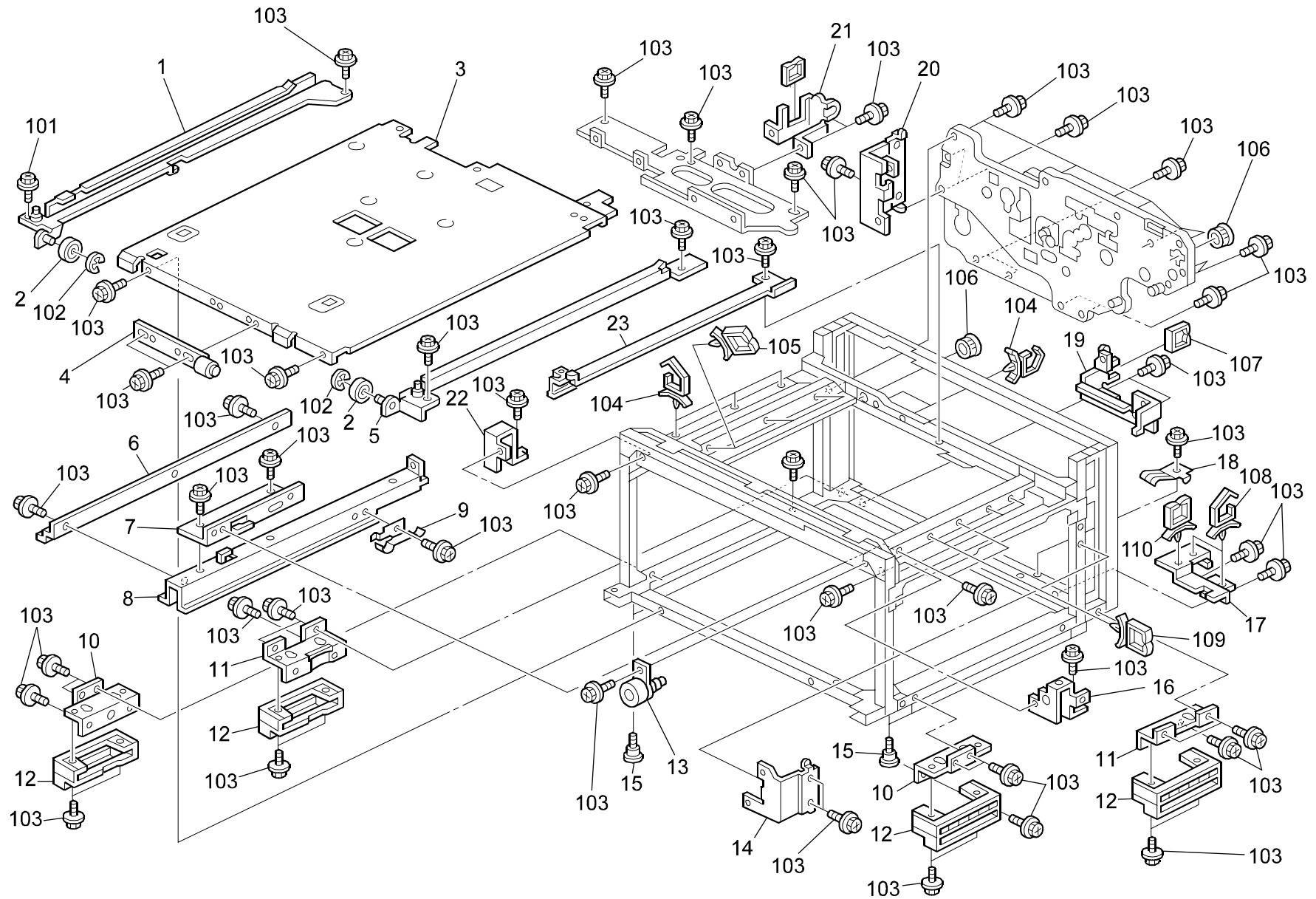


61.ELECTRICAL SECTION 4 (A292/A293/B098)

Index No.	Part No.	Description	Q'ty Per Assembly
1	A229 5869	Safety Switch Damper	1
2	A229 5868	Safety Switch Lever	1
3	AA16 1125	Rubber Cushion	2
4	A229 5857	Safety Switch Bracket	1
5	AA06 6306	Lever Spring	1
6	A229 5860	Upper Guide Plate Lever	1
7	A229 3322	Toner Bottle Supporter	1
8	A229 1351	Left Holder	1
9	A229 5856	Main Switch Bracket (A292/A293)	1
9	B098 5856	Bracket:Main Switch (B098)	1
10	A293 5600	AC Main Harness (A292/A293)	1
10	B098 5600	Harness:AC:Main:NA (B098)	1
10	B098 7651	Harness:AC:Main:EU (B098)	1
11	A229 5886	Front Bracket	1
12	A293 3314	Inner Back Cam	1
13	A293 3309	Toner Bottle Cam	1
14	AX31 0035	Total Counter (A292/A293)	1
14	AX31 0039	Total Counter - 7FIG 24V (B098)	1
15	A229 5871	Total Counter Bracket	1
16	5919 2201	Shoulder Screw - M4	1
17	A229 5843	HDD Ground Plate	1
18	A294 5173	HDD - ATA SU6	1
19	A293 5472	HDD Harness	1
20	A293 5865	HDD Bracket	1
21	A293 5867	HDD Ground Plate - C	1
22	A229 5888	Right Earth Bracket	1
23	A096 1355	Hinge Shaft	1
24	AA06 3052	Turret Spring	1
25	A229 1341	Upper Hinge Guide Plate	1
26	AA14 3499	Stepped Screw	2
27	A293 5866	HDD Ground Plate - A	1
28	A293 5868	Ground Plate Bracket	1
29	A293 5428	Switch Harness - Laser Diode	1
30	A229 1094	Positioning Plate	1
31	B098 5857	Shield:Switch (B098)	1

Index No.	Part No.	Description	Q'ty Per Assembly
32	B098 5340	Harness:Connecting:Total Counter (B098)	1
101	0451 3014B	Tapping Screw - M3-14	
102	1204 2355	Micro Switch - AM51632A531	
103	0451 4008B	Philips Tapping Screw - M4x8	
104	1204 2390	Interlock Switch - FA8L-AB24	
105	0720 0040B	Retaining Ring - M4	
106	1204 2468	Switch - AC250/16A (A292/A293)	
106	1204 2608	Rocker Switch:SDDJE33900 (B098)	
107	0451 3006B	Tapping Screw - M3x6	
108	0720 0040B	Retaining Ring - M4	
109	1106 0200	Bushing - 19.44mm	
110	1105 0267	Harness Clamp - YMC-10-0	
111	1105 0113	Edge - P108	
112	0801 0153	Bind Screw - M6x32	
113	1105 0196	Harness Clamp	

62.FRAME SECTION 1 (A292/A293/B098)

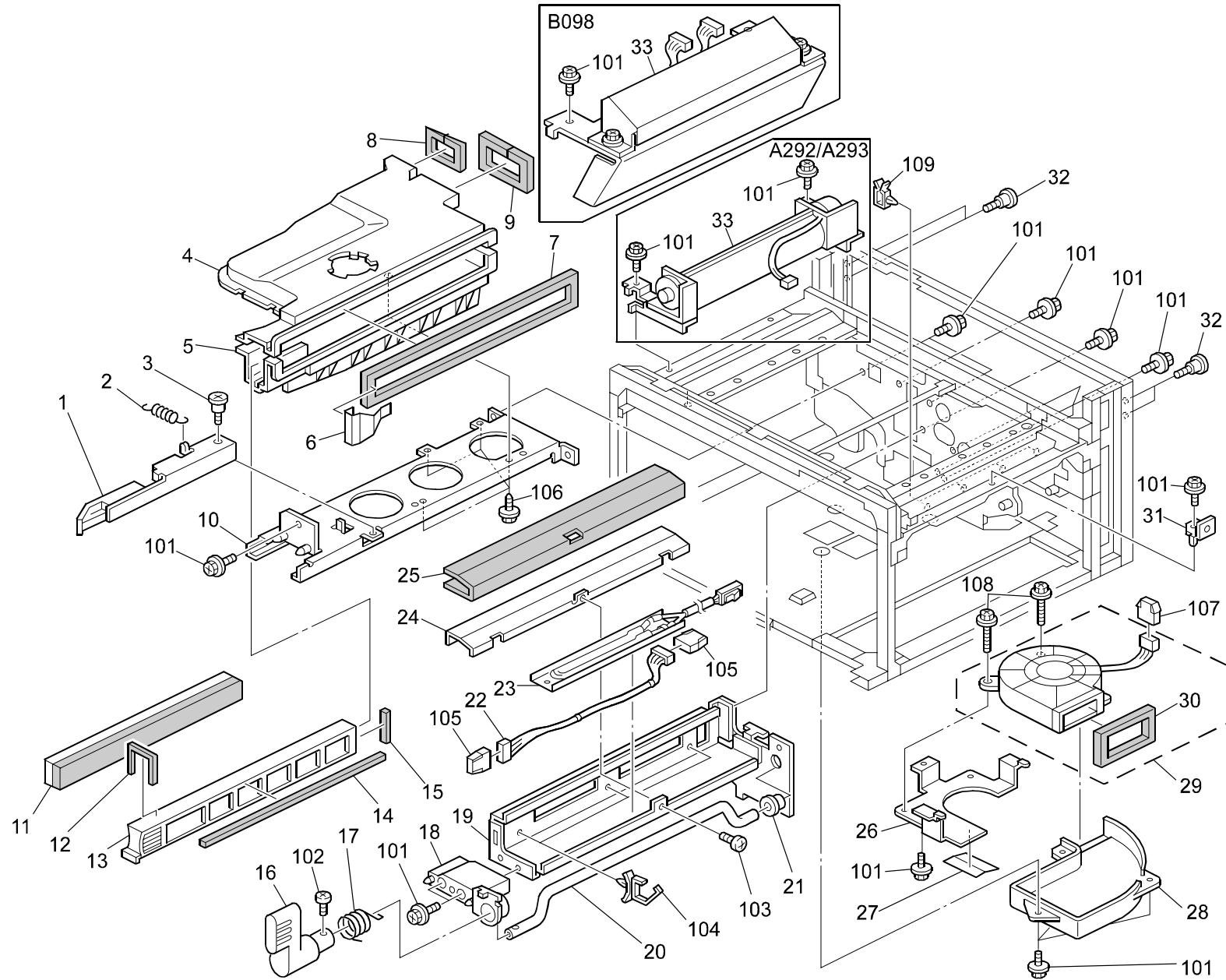


62.FRAME SECTION 1 (A292/A293/B098)

Index No.	Part No.	Description	Q'ty Per Assembly
1	A229 4835	Left Rail	1
2	6754 2866	Roller - Positioning Guide	2
3	A229 1075	Base Cover (A292/A293)	1
3	B098 1075	Cover:Base (B098)	1
4	A229 4830	Holder Bracket	1
5	A096 4591	Right Duplex Rail	1
6	A096 1677	Right Rail - Drum Unit (A292/A293)	1
6	B098 1677	Rail:Around The Photoconductor:Right (B098)	1
7	A229 1185	Development Unit Rail Bracket (A292/A293)	1
7	B098 1185	Bracket:Rail:Development Unit (B098)	1
8	A229 1186	Development Guide Rail (A292/A293)	1
8	B098 1186	Rail:Development Unit (B098)	1
9	A096 1679	Development Grounding Plate	1
10	A096 1095	Front Grip Bracket	2
11	A096 1096	Rear Grip Bracket	2
12	A096 1094	Grip Base	4
13	A229 3553	Toner Recycling Joint	1
14	A096 1077	Right Fixing Plate	1
15	C201 5125	Stepped Screw - M6	8
16	A229 1091	Right Adjusting Pin	1
17	A229 5866	Slide Rail Guide	1
18	A229 6077	Rear Upper Growunding Plate	1
19	A229 5852	Left Fix Bracket	1
20	A229 1078	Left Fixing Plate	1
21	A229 5851	Right Fix Bracket	1
22	A229 1092	Left Adjusting Pin	1
23	A229 1098	Left Drum Rail	1

Index No.	Part No.	Description	Q'ty Per Assembly
101	0434 0080B	Pan Head Self-tapping Screw - M4x8	
102	0720 0040B	Retaining Ring - M4	
103	0451 4008B	Philips Tapping Screw - M4x8	
104	1105 0310	Harness Clamp - LWS-1S	
105	1105 0196	Harness Clamp	
106	1106 0200	Bushing - 19.44mm	
107	1105 0349	Edge Saddle	
108	1105 0316	Clamp	
109	1105 0291	Harness Clamp - LWS-3S	
110	1105 0201	Harness Clamp	

63.FRAME SECTION 2 (A292/A293/B098)

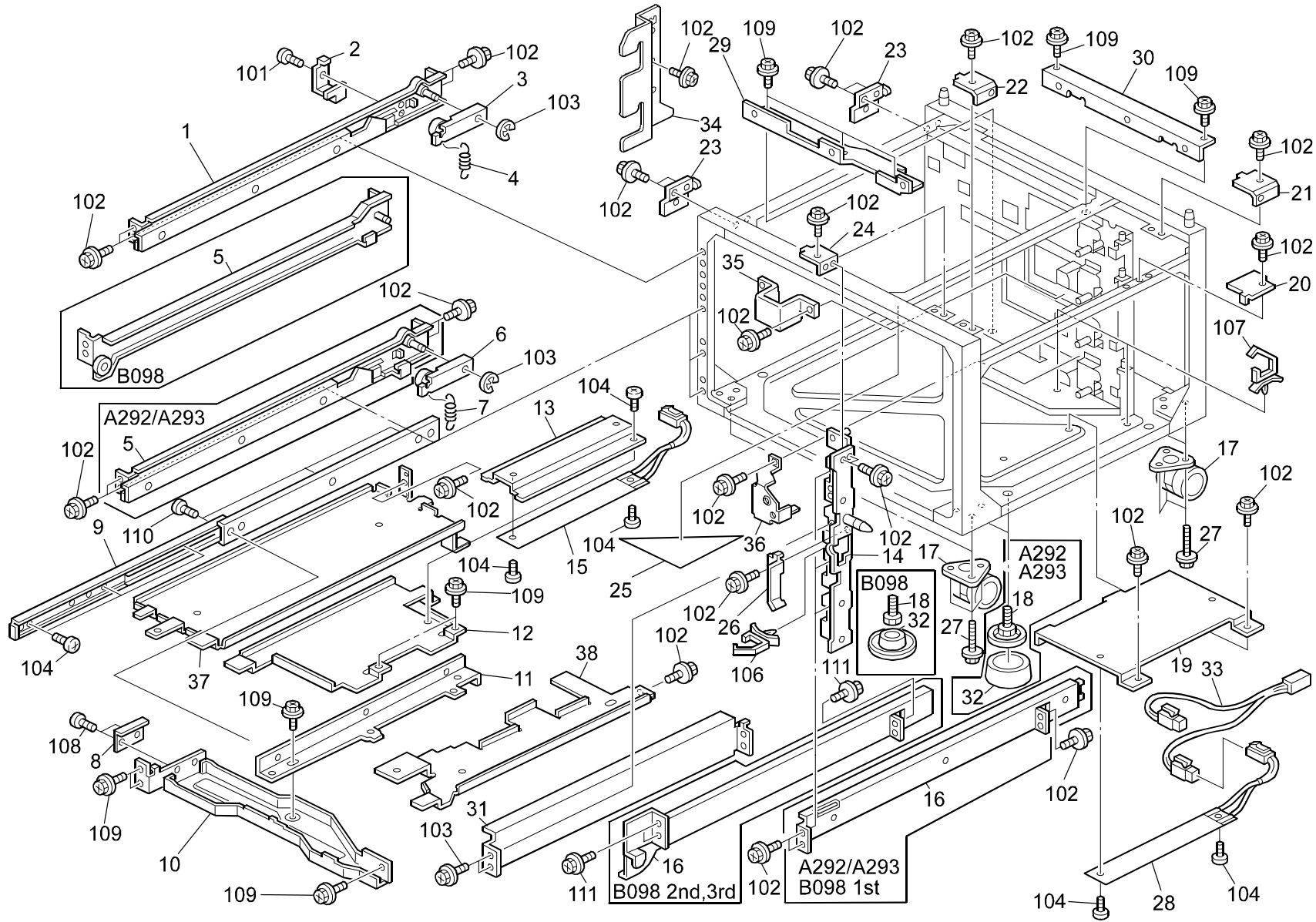


63.FRAME SECTION 2 (A292/A293/B098)

Index No.	Part No.	Description	Q'ty Per Assembly
1	A293 4260	Fusing Lock Lever	1
2	AA06 0541	Bushing Lock Spring	1
3	5446 3648	Stepped Screw - M4	1
4	A293 1112	Upper Duct	1
5	A293 1113	Lower Duct	1
6	A229 1106	Duct Shield Guide	1
7	AA15 3105	Duct Seal	1
8	AA15 3108	Seal - 128x8x5	1
9	AA15 3107	Seal - 241x8x5	1
10	A096 4249	Fusing Unit Rail (A292/A293)	1
10	B098 4249	Rail:Fusing Unit:Ass'y (B098)	1
11	A293 1104	Ozone Filter (A292/A293)	1
11	B098 1104	Ozone Filter (B098)	1
12	AA15 3111	Seal - 104x2x3	1
13	A293 1114	Ozone Filter Guide (A292/A293)	1
13	B098 1114	Guide:Ozone Filter (B098)	1
14	AA15 3112	Seal - 331x2x3	1
15	AA15 3113	Seal - 41x5x3	1
16	A293 3960	Belt Unit Knob	1
17	AA06 6218	Unit Release Spring	1
18	A293 3915	Front Holder	1
19	A293 3951	Transfer Unit Guide Plate	1
20	A096 3959	Release Arm	1
21	AA08 0158	Bushing - 12x16x12.1	1
22	A229 5412	Transfer Connecting Harness	1
23	AX40 0047	Anticondensation Heater - 115V 15W (A292/A293)	1
23	AX40 0048	Anticondensation Heater - 230V 15W (A292/A293)	1
23	AX40 0162	Heater:120V:15W (B098)	1
23	AX40 0163	Heater:240V:15W (B098)	1
24	A096 3956	Heater Cover	1
25	AA17 2013	Heater Cover	1
26	A097 5550	Fan Motor Bracket	1
27	A097 5552	Fan Plate	1

Index No.	Part No.	Description	Q'ty Per Assembly
28	A097 5551	Fan Motor Duct	1
29	A229 1195	Cooling Fan Motor - DC24V 9.6W	1
30	AA15 1775	Seal - Fan	1
31	A229 5884	HDD Fix Bracket	1
32	5919 2201	Shoulder Screw - M4	4
33	A229 1116	Exit Cooling Fan - DC24V 5.8W (A292/A293)	1
33	B098 1126	Fan:Cooling:Exit:DC24V 2.88W X 2 (B098)	1
101	0451 4008B	Philips Tapping Screw - M4x8	
102	0314 0060B	Philips Pan Head Screw - M4x6	
103	0313 0050B	Philips Pan Head Screw - M3x5	
104	1105 0278	Harness Clamp - LWS-1S	
105	1102 6252	Connector - 9P	
106	0450 4008B	Tapping Screw - 4x8	
107	1102 6245	Relay Connector - 2P	
108	0451 4014B	Tapping Screw - M4x14	
109	1105 0267	Harness Clamp - YMC-10-0	

64.FRAME SECTION 3 (A292/A293/B098)



64.FRAME SECTION 3 (A292/A293/B098)

Index No.	Part No.	Description	Q'ty Per Assembly
1	A248 6241	Left Rail - Tandem LCT	1
2	A096 6246	Left Rail Bracket	1
3	A096 6247	Lock Arm - Tandem Tray	1
4	AA06 0761	Spring	1
5	A096 6261	Left Rail (A292/A293)	2
5	B098 6279	Rail:Paper Tray:Left:Ass'y (B098)	2
6	A096 6266	Tray Lock Arm	2
7	AA06 0534	Tray Lock Spring - 19mm	2
8	A248 6775	Supporting Stay	1
9	AA07 0044	Slide Rail - Tandem LCT	1
10	A293 6776	Tandem LCT Stay (A292/A293)	1
10	B098 6776	Stay:Tandem LCT (B098)	1
11	A248 6774	Slide Rail Bracket	1
12	A248 6102	Upper Heat Sink (A292/A293)	1
12	B065 6116	Upper Heat Sink (B098)	1
13	A248 6103	Guide Plate - Upper Heat Sink	1
14	A176 6181	Front Side Plate - P/B (A292/A293)	1
14	B098 6181	Side Plate:Front:Paper Bank:Ass'y (B098)	1
15	AX40 0111	Anticondensation Heater - 230V 18W (A292/A293)	1
15	AX40 0112	Anticondensation Heater - 120V 18W (A292/A293)	1
15	AX40 0166	Heater:120V:18W:Upper (B098)	1
15	AX40 0167	Heater:240V:18W:Upper (B098)	1
16	A096 6250	Right Rail (A292/A293)	3
16	B098 6269	Rail:Paper Tray:Right:Ass'y(B098)	2
17	AH01 2015	Caster - 1470N (120V)	4
17	AH01 2016	Caster - G60 (230V)	4
18	AH01 1004	Screw Stand (120V)(A292/A293)	2
18	AH01 1006	Stand Ass'y (230V)(A292/A293)	2
18	AH01 2029	Caster:1470N (B098)	2
19	A096 6100	Lower Heat Sink (A292/A293)	1
19	B065 6221	Lower Heat Sink (B098)	1
20	A096 6081	Collection Bottle Stopper	1
21	A096 6079	Right Rear Frame Joint	1

Index No.	Part No.	Description	Q'ty Per Assembly
22	A096 6078	Right Front Frame	1
23	A096 6080	Left Frame Joint	2
24	A096 6077	Upper Front Fixing Plate	1
25	A096 6693	Paper Guide Sheet (A292/A293)	1
25	B098 6693	Shield:Frame:Paper Bank:Upper (B098)	1
26	A176 6110	Harness Cover	1
27	5301 1662	Hexagon Bolt	12
28	AX40 0070	Anticondensation Heater - 115V 15W (A292/A293)	1
28	AX40 0069	Anticondensation Heater - 240V 18W (A292/A293)	1
28	AX40 0164	Heater:120V:18W (B098)	1
28	AX40 0165	Heater:240V:18W (B098)	1
29	A096 6075	Lower Rear Fixing Plate	1
30	A096 6076	Upper Rear Fixing Plate	1
31	A293 6251	Guide Stay	1
32	AH01 3008	Leveling Foot Guide (A292/A293)	1
32	B023 1101	Stand Holder (B098)	1
33	A293 7606	Heater Harness	1
34	B098 6815	Shielding Plate:Rear:Left Lower (B098)	1
35	B098 6817	Cover:Solenoid:Tandem:Coupling (B098)	1
36	B098 6816	Cover:Gear (B098)	2
37	B098 6111	Shielding Plate:Tandem LCT:Left (B098)	1
38	B098 6112	Shielding Plate:Tandem LCT:Right (B098)	1

Index No.	Part No.	Description	Q'ty Per Assembly
101	0313 0060B	Philips Pan Head Screw - M3x6	
102	0451 4008B	Philips Tapping Screw - M4x8 (A292/A293)	
102	0451 4008B	Philips Tapping Screw - M4x8 (B098)	
103	0720 0040B	Retaining Ring - M4	
104	0314 0060B	Philips Pan Head Screw - M4x6	
105	0951 4012W	Philips Screw With Washer - M4x12	
106	1105 0291	Harness Clamp - LWS-3S	
107	1105 0310	Harness Clamp - LWS-1S	
108	0951 4008B	Philips Screw With Washer - M4x8	
109	0434 0080B	Pan Head Self-tapping Screw - M4x8	
110	0314 0040B	Philips Pan Head Screw - M4x4	
111	0453 4008B	Tapping Bind Screw - M4x8	

Index No.	Part No.	Description	Q'ty Per Assembly

65.I/O CONTROL BOARD (A292/A293)

CAPACITOR

SYMBOL NO.	INDEX NO.	SYMBOL NO.	INDEX NO.	SYMBOL NO.	INDEX NO.	SYMBOL NO.	INDEX NO.	SYMBOL NO.	INDEX NO.	SYMBOL NO.	INDEX NO.	SYMBOL NO.	INDEX NO.
C 101	192	C 111	192	C 121	192	C 131	183	C 141	192	C 151	192	C 161	192
C 102	192	C 112	193	C 122	192	C 132	190	C 142	185	C 152	192	C 162	192
C 103	192	C 113	192	C 123	190	C 133	191	C 143	192	C 153	192	C 163	192
C 104	184	C 114	192	C 124	192	C 134	182	C 144	188	C 154	189	C 164	192
C 105	192	C 115	192	C 125	192	C 135	192	C 145	192	C 155	189	C 165	192
C 106	192	C 116	192	C 126	192	C 136	191	C 146	192	C 156	192	C 166	186
C 107	190	C 117	192	C 127	184	C 137	191	C 147	190	C 157	192	C 167	192
C 108	184	C 118	193	C 128	192	C 138	183	C 148	192	C 158	190	C 168	192
C 109	192	C 119	187	C 129	192	C 139	184	C 149	192	C 159	192	C 169	192
C 110	192	C 120	190	C 130	184	C 140	184	C 150	192	C 160	189	C 170	192

CAPACITOR

SYMBOL NO.	INDEX NO.	SYMBOL NO.	INDEX NO.	SYMBOL NO.	INDEX NO.	SYMBOL NO.	INDEX NO.	SYMBOL NO.	INDEX NO.	SYMBOL NO.	INDEX NO.	SYMBOL NO.	INDEX NO.
C 171	192	C 181	192	C 191	192	C 201	192	C 211	192	C 221	192	C 231	192
C 172	186	C 182	192	C 192	192	C 202	191	C 212	192	C 222	192	C 232	192
C 173	192	C 183	192	C 193	192	C 203	192	C 213	192	C 223	192	C 233	187
C 174	192	C 184	192	C 194	192	C 204	191	C 214	192	C 224	192		
C 175	192	C 185	192	C 195	192	C 205	191	C 215	192	C 225	192		
C 176	192	C 186	192	C 196	192	C 206	191	C 216	192	C 226	193		
C 177	192	C 187	192	C 197	192	C 207	192	C 217	192	C 227	192		
C 178	192	C 188	192	C 198	190	C 208	192	C 218	193	C 228	190		
C 179	192	C 189	192	C 199	190	C 209	192	C 219	192	C 229	192		
C 180	192	C 190	192	C 200	192	C 210	192	C 220	192	C 230	193		

65.I/O CONTROL BOARD (A292/A293)

CONNECTOR

SYMBOL NO.	INDEX NO.
CN 200	101
CN 201	113
CN 202	103
CN 203	105
CN 204	110
CN 205	105
CN 206	111
CN 207	109
CN 208	112
CN 209	115

SYMBOL NO.	INDEX NO.
CN 210	111
CN 211	110
CN 212	104
CN 213	102
CN 214	114
CN 215	106
---	---
---	---
CN 258	107
CN 259	108

DA

SYMBOL NO.	INDEX NO.
DA 101	123
DA 102	123
DA 103	122
DA 104	122
DA 105	122
DA 106	122
DA 107	122

DIODE

SYMBOL NO.	INDEX NO.
D 101	124
D 102	121
D 103	121
D 104	121
D 105	121
D 106	121

FILTER

SYMBOL NO.	INDEX NO.
FIL 101	149
FIL 102	150

IC

SYMBOL NO.	INDEX NO.
IC 101	131
IC 102	130
IC 103	131
IC 104	129
IC 105	130
IC 106	139
IC 107	1
IC 108	131
IC 109	136
IC 110	132

SYMBOL NO.	INDEX NO.
IC 111	131
IC 112	134
IC 113	134
IC 114	131
IC 115	138
IC 116	131
IC 117	137
IC 118	132
IC 119	135
IC 120	139

IC

SYMBOL NO.	INDEX NO.
IC 121	137
IC 122	131
IC 123	140

JP

SYMBOL NO.	INDEX NO.
JP 101	175
JP 102	175
JP 103	175

OSC

SYMBOL NO.	INDEX NO.
OSC 101	142

Q

SYMBOL NO.	INDEX NO.
Q 101	128
Q 102	128
Q 103	128
Q 104	128
Q 105	128
Q 106	116
Q 107	128
Q 108	133
Q 109	117
Q 110	120

SYMBOL NO.	INDEX NO.
Q 111	118
Q 112	141
Q 113	117
Q 114	117
Q 115	128
Q 116	119

RESISTOR

SYMBOL NO.	INDEX NO.
R 101	157
R 102	158
R 103	157
R 104	158
R 105	157
R 106	158
R 107	160
R 108	157
R 109	158
R 110	157

SYMBOL NO.	INDEX NO.
R 111	170
R 112	158
R 113	171
R 114	158
R 115	---
R 116	158
R 117	174
R 118	173
R 119	---
R 120	156

65.I/O CONTROL BOARD (A292/A293)

RESISTOR

SYMBOL NO.	INDEX NO.	SYMBOL NO.	INDEX NO.	SYMBOL NO.	INDEX NO.	SYMBOL NO.	INDEX NO.	SYMBOL NO.	INDEX NO.	SYMBOL NO.	INDEX NO.	SYMBOL NO.	INDEX NO.
R 121	174	R 131	153	R 141	152	R 151	158	R 161	166	R 171	170	R 181	161
R 122	157	R 132	157	R 142	155	R 152	158	R 162	165	R 172	165	R 182	176
R 123	156	R 133	155	R 143	157	R 153	180	R 163	158	R 173	178	R 183	157
R 124	165	R 134	155	R 144	155	R 154	154	R 164	154	R 174	176	R 184	157
R 125	156	R 135	155	R 145	158	R 155	157	R 165	154	R 175	157	R 185	156
R 126	158	R 136	179	R 146	169	R 156	157	R 166	156	R 176	176	R 186	178
R 127	158	R 137	155	R 147	157	R 157	158	R 167	171	R 177	151	R 187	170
R 128	156	R 138	155	R 148	162	R 158	171	R 168	173	R 178	176	R 188	173
R 129	158	R 139	177	R 149	158	R 159	143	R 169	154	R 179	176	R 189	171
R 130	158	R 140	155	R 150	157	R 160	158	R 170	154	R 180	178	R 190	163

RN

SYMBOL NO.	INDEX NO.	SYMBOL NO.	INDEX NO.	SYMBOL NO.	INDEX NO.	SYMBOL NO.	INDEX NO.	SYMBOL NO.	INDEX NO.	SYMBOL NO.	INDEX NO.	SYMBOL NO.	INDEX NO.
R 191	167	R 201	156	R 211	157	R 221	158	R 231	158	R 241	157	RN 101	145
R 192	157	R 202	156	R 212	157	R 222	158	R 232	181	R 242	156	RN 102	144
R 193	157	R 203	170	R 213	157	R 223	157	R 233	158	R 243	157	RN 103	144
R 194	158	R 204	158	R 214	158	R 224	159	R 234	157	R 244	158	RN 104	144
R 195	158	R 205	156	R 215	157	R 225	158	R 235	158	R 245	172	RN 105	147
R 196	168	R 206	156	R 216	158	R 226	159	R 236	180	R 246	158	RN 106	147
R 197	173	R 207	157	R 217	158	R 227	164	R 237	156			RN 107	146
R 198	157	R 208	159	R 218	158	R 228	164	R 238	156			RN 108	146
R 199	165	R 209	157	R 219	158	R 229	159	R 239	156			RN 109	146
R 200	171	R 210	157	R 220	158	R 230	168	R 240	156			RN 100	146

65.I/O CONTROL BOARD (A292/A293)

RN

SYMBOL NO.	INDEX NO.
RN 111	146
RN 112	145
RN 113	144
RN 114	144
RN 115	146
RN 116	145
RN 117	146
RN 118	146
RN 119	145
RN 120	144

SYMBOL NO.	INDEX NO.
RN 121	144
RN 122	144
RN 123	144
RN 124	144
RN 125	144
RN 126	145
RN 127	144
RN 128	144
RN 129	145
RN 130	144

SYMBOL NO.	INDEX NO.
RN 131	144
RN 132	144
RN 133	144
RN 134	144
RN 135	146
RN 136	144
RN 137	145
RN 138	144
RN 139	148
RN 140	145

SYMBOL NO.	INDEX NO.
RN 141	144
RN 142	144
RN 143	144
RN 144	144
RN 145	144
RN 146	144
RN 147	145
RN 148	144
RN 149	144

SW

SYMBOL NO.	INDEX NO.
SW 101	115

TP

SYMBOL NO.	INDEX NO.
TP 104	194
TP 154	194
TP 155	194
TP 162	194
TP 163	194
TP 172	194
TP 173	194

ZD

SYMBOL NO.	INDEX NO.
ZD 101	125
ZD 102	125
ZD 103	125
ZD 104	125
ZD 105	125
ZD 106	126
ZD 107	127

65.I/O CONTROL BOARD (A292/A293)

Index No.	Part No.	Description	Q'ty Per Assembly
*	A293 5120	I/O Board	1
1	A232 5355	IC - GATEX	1

Index No.	Part No.	Description	Q'ty Per Assembly
101	1102 5310	Connector - 5P	
102	1102 6297	Connector - 4P	
103	1102 6302	Connector - 9P	
104	1102 6303	Connector - 10P	
105	1102 6304	Connector - 11P	
106	1102 6311	Connector - 4P	
107	1102 6313	Connector - 6P	
108	1102 6314	Connector - 7P	
109	1102 6400	Connector - 24P	
110	1102 6401	Connector - 26P	
111	1102 6403	Connector - 30P	
112	1102 6890	Connector - 40P	
113	1102 7506	Connector - 8931E-050-178S	
114	1103 1317	Connector	
115	1204 2432	Dip Switch - DSS708	
116	1400 0398	Transistor - 2SC2412K	
117	1400 0619	Transistor - DTA143EKA	
118	1400 0731	Transistor - 2SD1766	
119	1401 0972	Transistor-2sb1260	
120	1401 0986	Transistor - UPA1552H	
121	1402 1112	Diode - ERA83-004	
122	1402 1142	Diode Array - DAN217	
123	1402 1326	Diode Array - DA227	
124	1402 1336	Diode - 1SS355	
125	1402 1378	Diode - PTZ12A	
126	1402 1380	Diode - PTZ 6.2A	
127	1402 1505	Diode - UDZS5.6B	
128	1407 1535	IC - TD62308AP	
129	1407 1596	TTLIC - SN74LS14NS	
130	1407 1600	TTLIC - SN74LS244NS	
131	1407 2187	TTLIC - SN74LS07NS	
132	1407 2218	TTLIC - SN74LS06NS	
133	1407 2219	IC - TD62003AP	
134	1407 3290	IC - TC74HC02AF	
135	1407 3357	Comparator - BA10393F	

Index No.	Part No.	Description	Q'ty Per Assembly
136	1407 4687	IC - TA8083F	
137	1407 5085	IC - TC4066BF(N)	
138	1408 0810	IC - BA10358F	
139	1408 0826	IC - TA8428K	
140	1408 1095	IC - BA10324AF	
141	1408 1206	Transistor-array - TD62M4700F	
142	1503 0865	Oscillator - 9.8304MHZ	
143	1601 5319	Resistor-3.9 Ω \pm 5% 2w	
144	1601 7752	Resistor Array - 10K Ω \pm 5%	
145	1601 7781	Resistor - 10 Ω \pm 5%	
146	1601 7791	Resistor Array - 1K Ω \pm 5%	
147	1601 7814	Resistor 3.3k Ω \pm 5%	
148	1601 7872	Resistor Array - 220 Ω \pm 5% 1/16W	
149	1602 7029	Noise Filter - 22000pF	
150	1607 0758	Filter - DSS710D223A12-22	
151	1610 1374	Resistor - 2.2K Ω \pm 5% 1/2W	
152	1630 1101	Resistor - 100 Ω 1/4W \pm 5%	
153	1630 1121	Resistor - 120 Ω \pm 5% 1/8W	
154	1630 1151	Resistor - 150 Ω \pm 5% 1/4W	
155	1630 2221	Resistor - 220 Ω	
156	1630 3100	Resistor - 10 Ω \pm 5% 1/10W	
157	1630 3102	Resistor - 1K Ω 1/10W \pm 5%	
158	1630 3103	Resistor - 10K Ω 1/10W \pm 5%	
159	1630 3104	Resistor - 100K Ω 1/10W \pm 5%	
160	1630 3105	Resistor - 1M Ω \pm 5% 1/10W	
161	1630 3132	Resistor-1.3k Ω \pm 5% 1/10w	
162	1630 3152	Resistor - 1.5k Ω - 1/10W	
163	1630 3153	Resistor - 15K Ω \pm 5% 1/10W	
164	1630 3154	Resistor - 150K 0HM \pm 5% 1/10W	
165	1630 3222	Resistor - 2.2K Ω 1/10W \pm 5%	
166	1630 3223	Resistor - 22k Ω - 1/10W	
167	1630 3331	Resistor - 330 Ω \pm 5% 1/10W	
168	1630 3332	Resistor - 3.3K Ω 1/10W \pm 5%	
169	1630 3362	Resistor - 3.6K Ω \pm 5% 1/10W	
170	1630 3391	Resistor - 390 Ω 1/10W \pm 5%	

Index No.	Part No.	Description	Q'ty Per Assembly
171	1630 3472	Resistor - 4.7K Ω 1/10W \pm 5%	
172	1630 3473	Resistor - 47K Ω 1/10W \pm 5%	
173	1630 3562	Resistor - 5.6K Ω +5% 1/10W	
174	1630 3910	Resistor - 91 Ω \pm 5% 1/10W	
175	1631 0000	Resistor - 0 Ω 1/4W	
176	1633 1003	Resistor - 100K Ω \pm 1% 1/10W	
177	1633 1102	Resistor-11k Ω \pm 1% 1/10w	
178	1633 1403	Resistor - 140K Ω \pm 1% 1/10W	
179	1633 1542	Resistor - 15.4K Ω \pm 1%	
180	1633 5231	Resistor - 5.23K Ω \pm 1% 1/10W	
181	1633 5360	Resistor - 536 Ω \pm 1% 1/10W	
182	1640 5100	Capacitor - 10 μ F+20% 50	
183	1640 5101	Capacitor - 100 μ F \pm 20% 50V	
184	1640 5470	Capacitor - 47 μ F \pm 20% 50V	
185	1660 1100	Capacitor - 10pF 50V	
186	1660 2220	Capacitor - 22pF \pm 20% 35V	
187	1660 3101	Capacitor - 100pF 50V	
188	1660 3121	Capacitor - 120pF 50V \pm 5% 50V	
189	1660 3470	Capacitor - 47pF \pm 5% 50V	
190	1660 3471	Capacitor - 470pF 50V	
191	1660 5472	Capacitor - 4700pF 50V	
192	1660 7103	Capacitor - 10000pF 50V	
193	1660 7104	Capacitor - 100000pF 50V	

CAPACITOR

SYMBOL NO.	INDEX NO.	SYMBOL NO.	INDEX NO.	SYMBOL NO.	INDEX NO.	SYMBOL NO.	INDEX NO.	SYMBOL NO.	INDEX NO.	SYMBOL NO.	INDEX NO.	SYMBOL NO.	INDEX NO.
C 101	192	C 111	192	C 121	192	C 131	183	C 141	192	C 151	192	C 161	192
C 102	192	C 112	193	C 122	192	C 132	190	C 142	185	C 152	192	C 162	192
C 103	192	C 113	192	C 123	190	C 133	191	C 143	192	C 153	192	C 163	192
C 104	184	C 114	192	C 124	192	C 134	182	C 144	188	C 154	189	C 164	192
C 105	192	C 115	192	C 125	192	C 135	192	C 145	192	C 155	189	C 165	192
C 106	192	C 116	192	C 126	192	C 136	191	C 146	192	C 156	192	C 166	186
C 107	190	C 117	192	C 127	184	C 137	191	C 147	190	C 157	192	C 167	192
C 108	184	C 118	193	C 128	192	C 138	183	C 148	192	C 158	190	C 168	192
C 109	192	C 119	187	C 129	192	C 139	184	C 149	192	C 159	192	C 169	192
C 110	192	C 120	190	C 130	184	C 140	184	C 150	192	C 160	189	C 170	192

CAPACITOR

SYMBOL NO.	INDEX NO.	SYMBOL NO.	INDEX NO.	SYMBOL NO.	INDEX NO.	SYMBOL NO.	INDEX NO.	SYMBOL NO.	INDEX NO.	SYMBOL NO.	INDEX NO.	SYMBOL NO.	INDEX NO.
C 171	192	C 181	192	C 191	192	C 201	192	C 211	192	C 221	192	C 231	192
C 172	186	C 182	192	C 192	192	C 202	191	C 212	192	C 222	192	C 232	192
C 173	192	C 183	192			C 203	192	C 213	192	C 223	192	C 233	187
C 174	192	C 184	192	C 194	192	C 204	191	C 214	192	C 224	192		
C 175	192	C 185	192	C 195	192	C 205	191	C 215	192	C 225	192		
C 176	192	C 186	192	C 196	192	C 206	191	C 216	192	C 226	193		
C 177	192	C 187	192	C 197	192	C 207	192	C 217	192	C 227	192		
C 178	192	C 188	192	C 198	190	C 208	192	C 218	193	C 228	190		
C 179	192	C 189	192	C 199	190	C 209	192	C 219	192	C 229	192		
C 180	192	C 190	192	C 200	192	C 210	192	C 220	192	C 230	193		

66.I/O CONTROL BOARD (B098)

CONNECTOR

SYMBOL NO.	INDEX NO.
CN 200	101
CN 201	113
CN 202	103
CN 203	105
CN 204	110
CN 205	105
CN 206	111
CN 207	109
CN 208	112
CN 209	115

SYMBOL NO.	INDEX NO.
CN 210	111
CN 211	110
CN 212	104
CN 213	102
CN 214	114
CN 215	106
---	---
---	---
CN 258	107
CN 259	108

DA

SYMBOL NO.	INDEX NO.
DA 101	123
DA 102	123
DA 103	122
DA 104	122
DA 105	122
DA 106	122
DA 107	122

DIODE

SYMBOL NO.	INDEX NO.
D 101	124
D 102	121
D 103	121
D 104	121
D 105	121
D 106	121

FILTER

SYMBOL NO.	INDEX NO.
FIL 101	149
FIL 102	150

IC

SYMBOL NO.	INDEX NO.
IC 101	131
IC 102	130
IC 103	131
IC 104	129
IC 105	130
IC 106	139
IC 107	1
IC 108	131
IC 109	136

SYMBOL NO.	INDEX NO.
IC 111	131
IC 112	134
IC 113	134
IC 114	131
IC 115	138
IC 116	131
IC 117	137
IC 118	132
IC 119	135
IC 120	139

IC

SYMBOL NO.	INDEX NO.
IC 121	137
IC 122	131
IC 123	140

JP

SYMBOL NO.	INDEX NO.
JP 101	175
JP 102	175
JP 103	175

OSC

SYMBOL NO.	INDEX NO.
OSC 101	142

Q

SYMBOL NO.	INDEX NO.
Q 101	128
Q 102	128
Q 103	128
Q 104	128
Q 105	128
Q 106	116
Q 107	128
Q 108	133
Q 109	117
Q 110	120

SYMBOL NO.	INDEX NO.
Q 111	118
Q 112	141
Q 113	117
Q 114	117
Q 116	119

RESISTOR

SYMBOL NO.	INDEX NO.
R 101	157
R 102	158
R 103	157
R 104	158
R 105	157
R 106	158
R 107	160
R 108	157
R 109	158
R 110	157

SYMBOL NO.	INDEX NO.
R 111	170
R 112	158
R 113	171
R 114	158
R 115	---
R 116	158
R 117	174
R 118	173
R 119	---
R 120	156

66.I/O CONTROL BOARD (B098)

RESISTOR

SYMBOL NO.	INDEX NO.	SYMBOL NO.	INDEX NO.	SYMBOL NO.	INDEX NO.	SYMBOL NO.	INDEX NO.	SYMBOL NO.	INDEX NO.	SYMBOL NO.	INDEX NO.	SYMBOL NO.	INDEX NO.
R 121	174	R 131	153	R 141	152	R 151	158	R 161	166	R 171	170	R 181	161
R 122	157	R 132	157	R 142	155	R 152	158	R 162	165	R 172	165	R 182	176
R 123	156	R 133	155	R 143	157	R 153	180	R 163	158	R 173	178	R 183	157
R 124	165	R 134	155	R 144	155	R 154	154	R 164	154	R 174	176	R 184	157
R 125	156	R 135	155	R 145	158	R 155	157	R 165	154	R 175	157	R 185	156
R 126	158	R 136	179	R 146	169	R 156	157	R 166	156	R 176	176	R 186	178
R 127	158	R 137	155	R 147	157	R 157	158	R 167	171	R 177	151	R 187	170
R 128	156	R 138	155	R 148	162	R 158	171	R 168	173	R 178	176	R 188	173
R 129	158	R 139	177	R 149	158	R 159	143	R 169	154	R 179	176	R 189	171
R 130	158	R 140	155	R 150	157	R 160	158	R 170	154	R 180	178	R 190	163

RN

SYMBOL NO.	INDEX NO.	SYMBOL NO.	INDEX NO.	SYMBOL NO.	INDEX NO.	SYMBOL NO.	INDEX NO.	SYMBOL NO.	INDEX NO.	SYMBOL NO.	INDEX NO.	SYMBOL NO.	INDEX NO.
R 191	167	R 201	156	R 211	157	R 221	158	R 231	158	R 241	157	RN 101	145
R 192	157	R 202	156	R 212	157	R 222	158	R 232	181	R 242	156	RN 102	144
R 193	157	R 203	170	R 213	157	R 223	157	R 233	158	R 243	157	RN 103	144
R 194	158	R 204	158	R 214	158	R 224	159	R 234	157	R 244	158	RN 104	144
R 195	158	R 205	156	R 215	157	R 225	158	R 235	158	R 245	172	RN 105	147
R 196	168	R 206	156	R 216	158	R 226	159	R 236	180	R 246	158	RN 106	147
R 197	173	R 207	157	R 217	158	R 227	164	R 237	156			RN 107	146
R 198	157	R 208	159	R 218	158	R 228	164	R 238	156			RN 108	146
R 199	165	R 209	157	R 219	158	R 229	159	R 239	156			RN 109	146
R 200	171	R 210	157	R 220	158	R 230	168	R 240	156			RN 100	146

66.I/O CONTROL BOARD (B098)

Rev. 01/31/2003

RN

SYMBOL NO.	INDEX NO.
RN 111	146
RN 112	145
RN 113	144
RN 114	144
RN 115	146
RN 116	145
RN 117	146
RN 119	145
RN 120	144

SYMBOL NO.	INDEX NO.
RN 121	144
RN 122	144
RN 123	144
RN 124	144
RN 125	144
RN 126	145
RN 127	144
RN 128	144
RN 129	145
RN 130	144

SYMBOL NO.	INDEX NO.
RN 131	144
RN 132	144
RN 133	144
RN 134	144
RN 136	144
RN 137	145
RN 138	144
RN 139	148
RN 140	145

SYMBOL NO.	INDEX NO.
RN 141	144
RN 142	144
RN 143	144
RN 144	144
RN 145	144
RN 146	144
RN 147	145
RN 148	144
RN 149	144

SW

SYMBOL NO.	INDEX NO.
SW 101	115

TP

SYMBOL NO.	INDEX NO.
TP 104	194
TP 154	194
TP 155	194
TP 162	194
TP 163	194
TP 172	194
TP 173	194

ZD

SYMBOL NO.	INDEX NO.
ZD 101	125
ZD 102	125
ZD 103	125
ZD 104	125
ZD 105	125
ZD 106	126
ZD 107	127

66.I/O CONTROL BOARD (B098)

Rev. 01/31/2003

Index No.	Part No.	Description	Q'ty Per Assembly
*	B098 5120	I/O Board (B098)	1
1	A232 5355	IC - GATEX	

Index No.	Part No.	Description	Q'ty Per Assembly
101	1102 5310	Connector - 5P	
102	1102 6295	Connector - 2P	
103	1102 6297	Connector - 4P	
104	1102 6303	Connector - 10P	
105	1102 6304	Connector - 11P	
106	1102 6311	Connector - 4P	
107	1102 6313	Connector - 6P	
108	1102 6314	Connector - 7P	
109	1102 6400	Connector - 24P	
110	1102 6401	Connector - 26P	
111	1102 6403	Connector - 30P	
112	1102 6890	Connector - 40P	
113	1102 7506	Connector - 8931E-050-178S	
114	1103 1317	Connector	
115	1204 1537	DIP Switch	
116	1400 0398	Transistor - 2SC2412K	
117	1400 0619	Transistor - DTA143EKA	
118	1400 0731	Transistor - 2SD1766	
119	1401 0972	Transistor-2sb1260	
120	1401 0986	Transistor - UPA1552H	
121	1402 1112	Diode - ERA83-004	
122	1402 1142	Diode Array - DAN217	
123	1402 1326	Diode Array - DA227	
124	1402 1336	Diode - 1SS355	
125	1402 1505	Diode - UDZS5.6B	
126	1402 1692	Diode: rd12fmb	
127	1402 1695	Diode: rd6.2fmb	
129	1407 1596	TTLIC - SN74LS14NS	
130	1407 1600	TTLIC - SN74LS244NS	
131	1407 2187	TTLIC - SN74LS07NS	
133	1407 2219	IC - TD62003AP	
134	1407 3290	IC - TC74HC02AF	
135	1407 3357	Comparator - BA10393F	

Index No.	Part No.	Description	Q'ty Per Assembly
136	1407 4687	IC - TA8083F	
137	1407 5085	IC - TC4066BF(N)	
138	1408 0810	IC - BA10358F	
139	1408 0826	IC - TA8428K	
140	1408 1095	IC - BA10324AF	
141	1408 1206	Transistor-array - TD62M4700F	
142	1503 0865	Oscillator - 9.8304MHZ	
143	1601 5319	Resistor-3.9 Ω \pm 5% 2w	
144	1601 7752	Resistor Array - 10K Ω \pm 5%	
145	1601 7781	Resistor - 10 Ω \pm 5%	
147	1601 7814	Resistor - 3.3K Ω \pm 5%	
148	1601 7872	Resistor Array - 220 Ω \pm 5% 1/16W	
149	1602 7029	Noise Filter - 22000pF	
150	1607 0758	Filter - Dss710d223a12-22	
151	1610 1374	Resistor - 2.2K Ω \pm 5% 1/2W	
152	1630 1101	Resistor - 100 Ω 1/4W \pm 5%	
153	1630 1121	Resistor - 120 Ω \pm 5% 1/8W	
154	1630 1151	Resistor - 150 Ω \pm 5% 1/4W	
155	1631 0000	Resistor - 0 Ω 1/4W	
156	1640 5100	Capacitor - 10 μ F+20% 50	
157	1640 5101	Capacitor - 100 μ F \pm 20% 50V	
158	1640 5470	Capacitor - 47 μ F \pm 20% 50V	
159	1650 2221	Resistor: 220 Ω : \pm 5%:1/4w	
160	1650 3100	Resistor - 10 Ω \pm 5% 1/8W	
161	1650 3102	Resistor: 1k Ω : \pm 5%:1/8w:2125	
162	1650 3103	Chip Resistor - 10k Ω \pm 5% 1/8w	
163	1650 3104	Resistor: 100k Ω : \pm 5%:1/8w	
164	1650 3105	Resistor: 1.3k Ω : \pm 5%:1/8w	
166	1650 3152	Resistor: 1.5k Ω : \pm 5%:1/8w	
167	1650 3153	Resistor: 15k Ω : \pm 5%:1/8w	
168	1650 3154	Resistor: 150k Ω : \pm 5%:1/8w	
169	1650 3222	Resistor: 2.2k Ω : \pm 5%:1/8w	
170	1650 3223	Resistor: 22k Ω : \pm 5%:1/8w	
171	1650 3331	Resistor: 330 Ω : \pm 5%:1/8w	

Index No.	Part No.	Description	Q'ty Per Assembly
172	1650 3332	Resistor: 3.3k Ω : \pm 5%:1/8w	
173	1650 3362	Resistor: 3.6k Ω : \pm 5%:1/8w	
174	1650 3391	Resistor: 390 Ω \pm 5% 1/8W	
175	1650 3472	Resistor: 4.7k Ω : \pm 5%:1/8w	
176	1650 3473	Resistor: 47k Ω : \pm 5%:1/8w	
177	1650 3562	Resistor: 5.6k Ω : \pm 5%:1/8w	
178	1650 3910	Resistor: 91 Ω : \pm 5%:1/8w	
179	1653 1003	Resistor: 100k Ω : \pm 1%:1/8w	
180	1653 1102	Resistor: 11k Ω : \pm 1%:1/8w	
181	1653 1403	Resistor: 140k Ω : \pm 1%:1/8w	
182	1653 1542	Resistor: 15.4k Ω : \pm 1%:1/8w	
183	1653 5231	Resistor: 5.23k Ω : \pm 1%:1/8w	
184	1653 5360	Resistor: 536 Ω : \pm 1%:1/8w	
185	1660 0100	Capacitor - 10PF \pm 0.5pF 50V	
186	1660 2101	Capacitor - 100pF - \pm 10% - 50V	
187	1660 2121	Capacitor - 120pF \pm 5% 50V	
188	1660 2220	Capacitor - 22pF \pm 20% 35V	
189	1660 2470	Capacitor - 47pF \pm 5% 50V	
190	1660 2471	Capacitor - 470pF - \pm 5% - 50V	
191	1660 4472	Capacitor - 4700pF \pm 10% 50V	
193	1660 8104	Capacitor - 0.1 μ F+80-20% 25V	

67.MCU BOARD (A292/A293)

CAPACITOR

SYMBOL NO.	INDEX NO.	SYMBOL NO.	INDEX NO.	SYMBOL NO.	INDEX NO.	SYMBOL NO.	INDEX NO.	SYMBOL NO.	INDEX NO.	SYMBOL NO.	INDEX NO.		
C 101	135	C 111	172	C 121	171	C 131	172	C 141	171	C 151	171	C 161	173
C 102	165	C 112	172	C 122	169	C 132	172	C 142	----	C 152	171	C 162	171
C 103	165	C 113	172	C 123	117	C 133	172	C 143	172	C 153	171	C 163	171
C 104	165	C 114	172	C 124	----	C 134	168	C 144	171	C 154	171	C 164	172
C 105	165	C 115	169	C 125	169	C 135	172	C 145	172	C 155	172	C 165	173
C 106	164	C 116	172	C 126	169	C 136	172	C 146	172	C 156	172	C 166	170
C 107	166	C 117	171	C 127	----	C 137	171	C 147	173	C 157	173	C 167	171
C 108	136	C 118	169	C 128	171	C 138	----	C 148	172	C 158	172	C 168	171
C 109	165	C 119	168	C 129	172	C 139	168	C 149	171	C 159	171	C 169	138
C 110	172	C 120	----	C 130	172	C 140	172	C 150	171	C 160	137	C 170	172

CAPACITOR

SYMBOL NO.	INDEX NO.
C 171	172
C 172	171
C 173	172
C 174	138
C 175	171
C 176	172
C 177	171
C 178	167
C 179	167
C 180	172

SYMBOL NO.	INDEX NO.
C 181	171
C 182	171
C 183	137
C 184	170
C 185	172
C 186	172
C 187	172
C 188	172

CONNECTOR

SYMBOL NO.	INDEX NO.
CN 551	104
CN 552	103
CN 553	102
CN 554	----
CN 555	----
CN 556	105
CN 557	----
CN 558	----
CN 559	108
CN 560	106

SYMBOL NO.	INDEX NO.
CN 561	101
CN 562	----
CN 563	----
CN 564	----
CN 565	107

DA

SYMBOL NO.	INDEX NO.
DA 101	115
DA 102	115
DA 103	115

FU

SYMBOL NO.	INDEX NO.
FU 101	109

IC

SYMBOL NO.	INDEX NO.
IC 101	122
IC 102	124
IC 103	118
IC 104	120
IC 105	125
IC 106	125
IC 107	119
IC 108	122
IC 109	121
IC 110	118

67.MCU BOARD (A292/A293)

IC

SYMBOL NO.	INDEX NO.
IC 111	129
IC 112	117
IC 113	127
IC 114	123
IC 115	1
IC 116	130
IC 117	129
IC 118	128
IC 119	126

JP

SYMBOL NO.	INDEX NO.
JP 101	157

OSC

SYMBOL NO.	INDEX NO.
OSC 121	131

Q

SYMBOL NO.	INDEX NO.
Q 101	114
Q 102	111
Q 103	111
Q 104	111
Q 105	111
Q 106	114
Q 107	111
Q 108	112
Q 109	111
Q 110	113

SYMBOL NO.	INDEX NO.
Q 111	111
Q 112	112
Q 113	----
Q 114	111

RESISTOR

SYMBOL NO.	INDEX NO.
R 101	140
R 102	140
R 103	132
R 104	139
R 105	132
R 106	139
R 107	154
R 108	144
R 109	162
R 110	152

SYMBOL NO.	INDEX NO.
R 111	141
R 112	148
R 113	148
R 114	143
R 115	144
R 116	154
R 117	142
R 118	----
R 119	144
R 110	----

RESISTOR

SYMBOL NO.	INDEX NO.
R 121	141
R 122	148
R 123	148
R 124	143
R 125	144
R 126	154
R 127	142
R 128	----
R 129	144
R 130	----

SYMBOL NO.	INDEX NO.
R 131	153
R 132	144
R 133	144
R 134	147
R 135	141
R 136	144
R 137	141
R 138	154
R 139	142
R 140	148

SYMBOL NO.	INDEX NO.
R 141	143
R 142	144
R 143	144
R 144	144
R 145	----
R 146	154
R 147	148
R 148	142
R 149	143
R 150	153

SYMBOL NO.	INDEX NO.
R 151	148
R 152	158
R 153	149
R 154	156
R 155	----
R 156	144
R 157	153
R 158	158
R 159	158
R 160	144

SYMBOL NO.	INDEX NO.
R 161	144
R 162	147
R 163	144
R 164	----
R 165	158
R 166	158
R 167	142
R 168	144
R 169	----
R 170	158

SYMBOL NO.	INDEX NO.
R 171	155
R 172	147
R 173	154
R 174	152
R 175	144
R 176	----
R 177	150
R 178	156
R 179	153
R 180	149

SYMBOL NO.	INDEX NO.
R 181	153
R 182	154
R 183	154
R 184	154
R 185	153
R 186	154
R 187	154
R 188	144
R 189	152
R 190	142

67.MCU BOARD (A292/A293)

RESISTOR

SYMBOL NO.	INDEX NO.	SYMBOL NO.	INDEX NO.	SYMBOL NO.	INDEX NO.	SYMBOL NO.	INDEX NO.	SYMBOL NO.	INDEX NO.	SYMBOL NO.	INDEX NO.	SYMBOL NO.	INDEX NO.
R 191	153	R 201	154	R 211	163	R 221	158	R 231	153	R 241	144	R 251	143
R 192	144	R 202	144	R 212	144	R 222	160	R 232	148	R 242	153	R 252	153
R 193	154	R 203	154	R 213	143	R 223	----	R 233	158	R 243	149	R 253	142
R 194	154	R 204	154	R 214	142	R 224	148	R 234	153	R 244	154	R 254	154
R 195	144	R 205	153	R 215	158	R 225	146	R 235	----	R 245	154	R 255	154
R 196	154	R 206	151	R 216	161	R 226	158	R 236	151	R 246	152	R 256	148
R 197	144	R 207	152	R 217	146	R 227	143	R 237	154	R 247	153	R 257	144
R 198	153	R 208	162	R 218	----	R 228	158	R 238	154	R 248	143	R 258	----
R 199	144	R 209	143	R 219	142	R 229	159	R 239	153	R 249	154	R 259	148
R 200	144	R 210	145	R 220	158	R 230	151	R 240	142	R 250	154	R 260	144

RN

SYMBOL NO.	INDEX NO.
RN 101	133
RN 102	133
RN 103	133
RN 104	133
RN 105	133
RN 106	134
RN 107	133
RN 108	133
RN 109	133

SW

SYMBOL NO.	INDEX NO.
SW 101	110

TP

SYMBOL NO.	INDEX NO.
TP 131	----
TP 132	174
TP 133	----
TP 134	174
TP 135	----
TP 136	174

ZD

SYMBOL NO.	INDEX NO.
ZD 101	116

67.MCU BOARD (A292/A293)

Index No.	Part No.	Description	Q'ty Per Assembly
*	A293 5180	MCU Board	1
1	A294 5057	IC - HD6433042SC34F	1

Index No.	Part No.	Description	Q'ty Per Assembly
101	1102 5301	Connector - 2P	
102	1102 5302	Connector - 3P	
103	1102 5305	Connector - 6P	
104	1102 5325	Connector - 2P	
105	1102 6298	Connector - 5P	
106	1102 6300	Connector - 7P	
107	1102 6307	Connector - 14P	
108	1102 6314	Connector - 7P	
109	1109 0010	Fuse - 3.75A	
110	1204 2368	Dip Switch - DSS804	
111	1400 0398	Transistor - 2SC2412K	
112	1401 0881	Transistor - 2SJ142	
113	1401 0972	Transistor - 2SB1260	
114	1401 1113	Transistor - 2SK2462	
115	1402 1142	Diode Array - DAN217	
116	1402 1380	Diode - PTZ 6.2A	
117	1403 0954	Sensor - MA12-10V23	
118	1407 1596	TTLIC - SN74LS14NS	
119	1407 1741	TTL - SN74LS32NS	
120	1407 1783	IC - 74LS02	
121	1407 1880	TTLIC - SN74LS04NS	
122	1407 1984	IC - SH74LS123NS	
123	1407 2051	TTL - IC - SN74LS00NS	
124	1407 2052	TTLIC - SN74LS74ANS	
125	1407 2187	TTLIC - SN74LS07NS	
126	1407 4137	IC - MM1035XF	
127	1408 0565	IC - UPC311G	
128	1408 0645	IC - UPC4570G	
129	1408 0942	IC - BA4558F	
130	1408 1065	Comparator BA10339F	
131	1503 0817	Crystal Oscillator - 15.9744MHz	
132	1600 1510	Resistor - 1.5K Ω \pm 5% 1W	
133	1601 7759	Resistor Array-100k Ω \pm 5% 0.063W	
134	1601 7791	Resistor Array - 1K Ω \pm 5%	
135	1604 4734	Capacitor - 47 μ F \pm 20% 25V	

Index No.	Part No.	Description	Q'ty Per Assembly
136	1604 4735	Capacitor - 1000 μ F \pm 20% 50V	
137	1605 0599	Capacitor - 0.1 μ F \pm 10%	
138	1605 0643	Capacitor - 0.1MICRO F	
139	1611 9331	Resistor - 330 Ω \pm 5% 1/2W	
140	1611 9621	Resistor - 620 Ω \pm 5% 1/2W	
141	1630 4100	Resistor - 10 Ω \pm 5% 1/16W	
142	1630 4102	Resistor - 1.0K Ω \pm 5% 1/16W	
143	1630 4103	Resistor - 10K Ω \pm 5% 1/16W	
144	1630 4104	Resistor - 100 Ω \pm 5% 1/16W	
145	1630 4124	Resistor - 120K Ω \pm 5%1/16W	
146	1630 4153	Resistor - 15K Ω \pm 5% 1/16W	
147	1630 4161	Resistor - 160 Ω \pm 5% 1/16W	
148	1630 4222	Resistor - 2.2K Ω \pm 5%	
149	1630 4224	Resistor - 220K Ω \pm 5% 1/16W	
150	1630 4242	Resistor - 2.4k Ω - \pm 5% - 1/16w	
151	1630 4332	Resistor - 3.3K Ω \pm 5% 1/16W	
152	1630 4470	Resistor - 470 Ω \pm 5% 1/16W	
153	1630 4472	Resistor - 4.7K Ω \pm 5% 1/16W	
154	1630 4511	Resistor - 510 Ω - \pm 5% - 1/16w	
155	1630 4512	Resistor - 5.1k Ω - \pm 5% - 1/16w	
156	1630 4562	Resistor - 5.6k Ω - \pm 5% - 1/16W	
157	1634 0000	Resistor - 0 Ω 1/16W	
158	1634 1002	Resistor - 10 Ω \pm 5% 1/16W	
159	1634 2002	Resistor - 20K Ω \pm 1% 1/16W	
160	1634 2402	Resistor - 24K Ω \pm 1% 1/16W	
161	1634 2702	Resistor - 27K Ω \pm 1% 1/16W	
162	1634 3903	Resistor - 390k Ω - \pm 1% - 1/16w	
163	1634 4302	Resistor - 43K Ω \pm 1% 1/16W	
164	1640 0101	Capacitor - 100 μ F10V	
165	1640 2470	Capacitor - 47 μ F \pm 20% 25V	
166	1640 5101	Capacitor - 100 μ F \pm 20% 50V	
167	1660 0100	Capacitor - 10PF \pm 0.5pF 50V	
168	1660 2101	Capacitor - 100pF - \pm 10% - 50V	
169	1660 2471	Capacitor - 470pF - \pm 5% - 50V	
170	1660 3102	Capacitor - 1000pF \pm 5% 50V	

Index No.	Part No.	Description	Q'ty Per Assembly
171	1660 4102	Capacitor - 1000pF \pm 10% 50V	
172	1660 6103	Capacitor - 10000pF - +80%-20%50V	
173	1660 8104	Capacitor - 0.1 μ F+80-20% 25V	

68.MCU BOARD (B098)

CAPACITOR

SYMBOL NO.	INDEX NO.	SYMBOL NO.	INDEX NO.	SYMBOL NO.	INDEX NO.	SYMBOL NO.	INDEX NO.	SYMBOL NO.	INDEX NO.	SYMBOL NO.	INDEX NO.	SYMBOL NO.	INDEX NO.
C 101	135	C 111	172	C 121	171	C 131	172	C 141	171	C 151	171	C 161	173
C 102	165	C 112	172	C 122	169	C 132	172	C 142	----	C 152	171	C 162	171
C 103	165	C 113	172	C 123	117	C 133	172	C 143	172	C 153	171	C 163	171
C 104	165	C 114	172	C 124	----	C 134	168	C 144	171	C 154	171	C 164	172
C 105	165	C 115	169	C 125	169	C 135	172	C 145	172	C 155	172	C 165	173
C 106	164	C 116	172	C 126	169	C 136	172	C 146	172	C 156	172	C 166	170
C 107	166	C 117	171	C 127	----	C 137	171	C 147	173	C 157	173	C 167	171
C 108	136	C 118	169	C 128	171	C 138	----	C 148	172	C 158	172	C 168	171
C 109	165	C 119	168	C 129	172	C 139	168	C 149	171	C 159	171	C 169	138
C 110	172	C 120	----	C 130	172	C 140	172	C 150	171	C 160	137	C 170	172

CAPACITOR

SYMBOL NO.	INDEX NO.
C 171	172
C 172	171
C 173	172
C 174	138
C 175	171
C 176	172
C 177	171
C 178	167
C 179	167
C 180	172

SYMBOL NO.	INDEX NO.
C 181	171
C 182	171
C 183	137
C 184	170
C 185	172
C 186	172
C 187	172
C 188	172

CONNECTOR

SYMBOL NO.	INDEX NO.
CN 551	104
CN 552	103
CN 553	102
CN 554	----
CN 555	----
CN 556	105
CN 557	----
CN 558	----
CN 559	108
CN 560	106

SYMBOL NO.	INDEX NO.
CN 561	101
CN 562	----
CN 563	----
CN 564	----
CN 565	107

DA

SYMBOL NO.	INDEX NO.
DA 101	115
DA 102	115
DA 103	115

FU

SYMBOL NO.	INDEX NO.
FU 101	109

IC

SYMBOL NO.	INDEX NO.
IC 101	122
IC 102	124
IC 103	118
IC 104	120
IC 105	125
IC 106	125
IC 107	119
IC 108	122
IC 109	121
IC 110	118

68.MCU BOARD (B098)

IC

SYMBOL NO.	INDEX NO.
IC 111	129
IC 112	117
IC 113	127
IC 114	123
IC 115	1
IC 116	130
IC 117	129
IC 118	128
IC 119	126

JP

SYMBOL NO.	INDEX NO.
JP 101	157

OSC

SYMBOL NO.	INDEX NO.
OSC 121	131

Q

SYMBOL NO.	INDEX NO.
Q 101	114
Q 102	111
Q 103	111
Q 104	111
Q 105	111
Q 106	114
Q 107	111
Q 108	112
Q 109	111
Q 110	113

SYMBOL NO.	INDEX NO.
Q 111	111
Q 112	112
Q 113	----
Q 114	111

RESISTOR

SYMBOL NO.	INDEX NO.
R 101	140
R 102	140
R 103	132
R 104	139
R 105	132
R 106	139
R 107	154
R 108	144
R 109	162
R 110	152

SYMBOL NO.	INDEX NO.
R 111	141
R 112	148
R 113	148
R 114	143
R 115	144
R 116	154
R 117	142
R 118	----
R 119	144
R 110	----

RESISTOR

SYMBOL NO.	INDEX NO.
R 121	141
R 122	148
R 123	148
R 124	143
R 125	144
R 126	154
R 127	142
R 128	----
R 129	144
R 130	----

SYMBOL NO.	INDEX NO.
R 131	153
R 132	144
R 133	144
R 134	147
R 135	141
R 136	144
R 137	141
R 138	154
R 139	142
R 140	148

SYMBOL NO.	INDEX NO.
R 141	143
R 142	144
R 143	144
R 144	144
R 145	----
R 146	154
R 147	148
R 148	142
R 149	143
R 150	153

SYMBOL NO.	INDEX NO.
R 151	148
R 152	158
R 153	149
R 154	156
R 155	----
R 156	144
R 157	153
R 158	158
R 159	158
R 160	144

SYMBOL NO.	INDEX NO.
R 161	144
R 162	147
R 163	144
R 164	----
R 165	158
R 166	158
R 167	142
R 168	144
R 169	----
R 170	158

SYMBOL NO.	INDEX NO.
R 171	155
R 172	147
R 173	154
R 174	152
R 175	144
R 176	----
R 177	150
R 178	156
R 179	153
R 180	149

SYMBOL NO.	INDEX NO.
R 181	153
R 182	154
R 183	154
R 184	154
R 185	153
R 186	154
R 187	154
R 188	144
R 189	152
R 190	142

68.MCU BOARD (B098)

RESISTOR

SYMBOL NO.	INDEX NO.	SYMBOL NO.	INDEX NO.	SYMBOL NO.	INDEX NO.	SYMBOL NO.	INDEX NO.	SYMBOL NO.	INDEX NO.	SYMBOL NO.	INDEX NO.	SYMBOL NO.	INDEX NO.
R 191	153	R 201	154	R 211	163	R 221	158	R 231	153	R 241	144	R 251	143
R 192	144	R 202	144	R 212	144	R 222	160	R 232	148	R 242	153	R 252	153
R 193	154	R 203	154	R 213	143	R 223	----	R 233	158	R 243	149	R 253	142
R 194	154	R 204	154	R 214	142	R 224	148	R 234	153	R 244	154	R 254	154
R 195	144	R 205	153	R 215	158	R 225	146	R 235	----	R 245	154	R 255	154
R 196	154	R 206	151	R 216	161	R 226	158	R 236	151	R 246	152	R 256	148
R 197	144	R 207	152	R 217	146	R 227	143	R 237	154	R 247	153	R 257	144
R 198	153	R 208	162	R 218	----	R 228	158	R 238	154	R 248	143	R 258	----
R 199	144	R 209	143	R 219	142	R 229	159	R 239	153	R 249	154	R 259	148
R 200	144	R 210	145	R 220	158	R 230	151	R 240	142	R 250	154	R 260	144

RN

SYMBOL NO.	INDEX NO.
RN 101	133
RN 102	133
RN 103	133
RN 104	133
RN 105	133
RN 106	134
RN 107	133
RN 108	133
RN 109	133

SW

SYMBOL NO.	INDEX NO.
SW 101	110

TP

SYMBOL NO.	INDEX NO.
TP 131	----
TP 132	174
TP 133	----
TP 134	174
TP 135	----
TP 136	174

ZD

SYMBOL NO.	INDEX NO.
ZD 101	116

68.MCU BOARD (B098)

Index No.	Part No.	Description	Q'ty Per Assembly
*	B070 5100	MCU Board (B098)	1
1	B070 5104	Prom:ic	

Index No.	Part No.	Description	Q'ty Per Assembly
101	1101 0328	Connector Pin Contact	
102	1102 5301	Connector - 2P	
103	1102 5302	Connector - 3P	
104	1102 5305	Connector - 6P	
105	1102 5325	Connector - 2P	
106	1102 6298	Connector - 5P	
107	1102 6300	Connector - 7P	
108	1102 6307	Connector - 14P	
109	1102 6309	Connector - 2P	
110	1102 6314	Connector - 7P	
111	1109 0010	Fuse - 3.75a	
112	1204 1422	DIP Switch - 51D-0401	
113	1400 0775	Transistor - 2SC4081	
114	1401 0881	Transistor - 2SJ142	
115	1401 0972	Transistor-2sb1260	
116	1401 1113	Transistor - 2SK2462	
117	1402 1584	Diode - DAN217U	
118	1402 1662	Diode: ptz6.2b	
119	1403 1107	IC: la12-10v21	
120	1407 1596	TTLIC - SN74LS14NS	
121	1407 1741	TTL - SN74LS32NS	
122	1407 1783	IC - 74LS02	
123	1407 1880	TTLIC - SN74LS04NS	
124	1407 1984	IC - SH74LS123NS	
125	1407 2051	TTL - IC - SN74LS00NS	
126	1407 2052	TTLIC - SN74LS74ANS	
127	1407 2187	TTLIC - SN74LS07NS	
128	1407 4137	IC - MM1035XF	
129	1408 0565	IC - UPC311G	
130	1408 0645	lc-upc4570g	
131	1408 0942	IC - BA4558F	
132	1408 1065	Comparator - BA10339F	
133	1503 0817	Crystal Oscillator - 15.9744M HZ	
134	1600 1510	Resistor - 1.5K Ω \pm 5% 1W	
135	1601 7759	Resistor Array - 100K Ω \pm 5% 0.06	

Index No.	Part No.	Description	Q'ty Per Assembly
136	1601 7791	Resistor Array - 1K Ω \pm 5%	
137	1604 4734	Capacitor - 47 μ F \pm 20% 25V	
138	1604 4735	Capacitor - 1000 μ F \pm 20% 50V	
139	1605 1137	Capacitor - 470pF \pm 10% 50V	
140	1605 1148	Capacitor - 0.1 μ F+80-20% 50V	
141	1605 1228	Capacitor: 0.1uf: \pm 10%:25v	
142	1611 9331	Resistor - 330 Ω \pm 5% 1/2W	
143	1611 9621	Resistor - 620 Ω \pm 5% 1/2W	
144	1634 0000	Resistor - 0 Ω 1/16W	
145	1640 0101	Capacitor - 100 μ F10V	
146	1640 2470	Capacitor - 47 μ F \pm 20% 25V	
147	1640 5101	Capacitor - 100 μ F \pm 20% 50V	
148	1650 4100	Resistor - 10 Ω \pm 5% 1/10W	
149	1650 4102	Resistor - 1K Ω \pm 5% 1/10W	
150	1650 4103	Resistor - 10K Ω \pm 5% 1/10W	
151	1650 4104	Resistor - 100K Ω \pm 5%1/10W	
152	1650 4124	Resistor: 120k Ω : \pm 5%:1/10w	
153	1650 4153	Resistor - 15K Ω \pm 5% 1/10W	
154	1650 4161	Resistor - 160 Ω \pm 5% 1/10W	
155	1650 4222	Resistor - 2.2K Ω \pm 5%1/10W	
156	1650 4224	Resistor: 220k Ω : \pm 5%:1/10w	
157	1650 4242	Resistor - 2.4K Ω \pm 5% 1/10W 1608	
158	1650 4332	Resistor - 3.3K Ω \pm 5%1/10W	
159	1650 4470	Resistor - 47 Ω \pm 5%1/10W	
160	1650 4472	Resistor - 4.7K Ω \pm 5% 1/10W	
161	1650 4511	Resistor - 510 Ω \pm 5%1/10W	
162	1650 4512	Resistor - 5.1K Ω \pm 5%1/10W	
163	1650 4562	Resistor - 5.6K Ω \pm 5% 1/10W	
164	1654 1002	Resistor - 10K Ω \pm 5%1/10W	
165	1654 2002	Resistor - 20K Ω \pm 1%1/10W	
166	1654 2402	Chip Resistor: 24k Ω : \pm 1%:1/10w	
167	1654 2702	Resistor - 27K Ω \pm 1%1/10W	
168	1654 3903	Resistor - 390K Ω \pm 1% 1/10W	
169	1654 4302	Resistor - 43K Ω \pm 1% 1/10W	
170	1660 0100	Capacitor - 10PF \pm 0.5pF 50V	

Index No.	Part No.	Description	Q'ty Per Assembly
171	1660 2101	Capacitor - 100pF - \pm 10% - 50V	
172	1660 4102	Capacitor - 1000pF \pm 10% 50V	
173	1660 6103	Capacitor - 10000pF - +80%-20%50V	
174	1660 8104	Capacitor - 0.1 μ F+80-20% 25V	

69.BICU BOARD (A292/A293)

BAT

SYMBOL NO.	INDEX NO.
BAT 101	118

CAPACITOR

SYMBOL NO.	INDEX NO.
C 101	221
C 102	212
C 103	212
C 104	157
C 105	221
C 106	221
C 107	158
C 108	158
C 109	159
C 110	221

SYMBOL NO.	INDEX NO.
C 111	158
C 112	160
C 113	216
C 114	221
C 115	216
C 116	215
C 117	221
C 118	216
C 119	209
C 120	221

SYMBOL NO.	INDEX NO.
C 121	219
C 122	209
C 123	219
C 124	221
C 125	209
C 126	216
C 127	216
C 128	221
C 129	216
C 130	159

SYMBOL NO.	INDEX NO.
C 131	221
C 132	221
C 133	216
C 134	216
C 135	219
C 136	159
C 137	216
C 138	221
C 139	221
C 140	216

SYMBOL NO.	INDEX NO.
C 141	221
C 142	225
C 143	221
C 144	205
C 145	212
C 146	221
C 147	216
C 148	221
C 149	216
C 150	221

SYMBOL NO.	INDEX NO.
C 151	221
C 152	216
C 153	212
C 154	212
C 155	----
C 156	212
C 157	216
C 158	212
C 159	221
C 160	210

CAPACITOR

SYMBOL NO.	INDEX NO.
C 161	----
C 162	213
C 163	221
C 164	210
C 165	213
C 166	221
C 167	221
C 168	216
C 169	216
C 170	211

SYMBOL NO.	INDEX NO.
C 171	221
C 172	221
C 173	221
C 174	210
C 175	221
C 176	161
C 177	205
C 178	211
C 179	214
C 180	205

SYMBOL NO.	INDEX NO.
C 181	219
C 182	219
C 183	206
C 184	221
C 185	221
C 186	----
C 187	221
C 188	219
C 189	221
C 190	217

SYMBOL NO.	INDEX NO.
C 191	219
C 192	208
C 193	221
C 194	210
C 195	215
C 196	163
C 197	219
C 198	158
C 199	219
C 200	212

SYMBOL NO.	INDEX NO.
C 201	212
C 202	212
C 203	212
C 204	212
C 205	212
C 206	206
C 207	206
C 208	206
C 209	206
C 210	206

SYMBOL NO.	INDEX NO.
C 211	206
C 212	206
C 213	212
C 214	212
C 215	212
C 216	212
C 217	212
C 218	212
C 219	219
C 220	162

SYMBOL NO.	INDEX NO.
C 221	216
C 222	----
C 223	212
C 224	162
C 225	212
C 226	212
C 227	212
C 228	212
C 229	212
C 230	162

69.BICU BOARD (A292/A293)

CAPACITOR

SYMBOL NO.	INDEX NO.	SYMBOL NO.	INDEX NO.	SYMBOL NO.	INDEX NO.	SYMBOL NO.	INDEX NO.	SYMBOL NO.	INDEX NO.	SYMBOL NO.	INDEX NO.	SYMBOL NO.	INDEX NO.
C 231	216	C 241	221	C 251	220	C 261	216	C 271	221	C 281	216	C 291	216
C 232	221	C 242	216	C 252	220	C 262	221	C 272	217	C 282	221	C 292	221
C 233	216	C 243	221	C 253	219	C 263	221	C 273	217	C 283	216	C 293	216
C 234	216	C 244	216	C 254	221	C 264	216	C 274	219	C 284	216	C 294	216
C 235	221	C 245	221	C 255	216	C 265	216	C 275	221	C 285	216	C 295	221
C 236	216	C 246	221	C 256	221	C 266	216	C 276	216	C 286	221	C 296	216
C 237	221	C 247	216	C 257	221	C 267	221	C 277	221	C 287	216	C 297	221
C 238	216	C 248	219	C 258	216	C 268	216	C 278	---	C 288	221	C 298	216
C 239	221	C 249	216	C 259	221	C 269	221	C 279	216	C 289	221	C 299	221
C 240	216	C 250	217	C 260	216	C 270	216	C 280	216	C 290	221	C 300	216

CAPACITOR

SYMBOL NO.	INDEX NO.	SYMBOL NO.	INDEX NO.	SYMBOL NO.	INDEX NO.	SYMBOL NO.	INDEX NO.	SYMBOL NO.	INDEX NO.	SYMBOL NO.	INDEX NO.	SYMBOL NO.	INDEX NO.
C 301	216	C 311	219	C 321	216	C 331	216	C 341	221	C 351	221	C 361	219
C 302	221	C 312	216	C 322	216	C 332	219	C 342	---	C 352	216	C 362	221
C 303	221	C 313	216	C 323	216	C 333	221	C 343	221	C 353	216	C 363	221
C 304	216	C 314	221	C 324	217	C 334	221	C 344	221	C 354	219	C 364	212
C 305	221	C 315	221	C 325	221	C 335	219	C 345	216	C 355	221	C 365	219
C 306	216	C 316	---	C 326	221	C 336	221	C 346	221	C 356	216	C 366	221
C 307	219	C 317	221	C 327	216	C 337	221	C 347	216	C 357	212	C 367	212
C 308	216	C 318	221	C 328	216	C 338	216	C 348	212	C 358	216	C 368	212
C 309	216	C 319	216	C 329	221	C 339	219	C 349	221	C 359	219	C 369	216
C 310	221	C 320	221	C 330	216	C 340	216	C 350	216	C 360	221	C 370	219

69.BICU BOARD (A292/A293)

CAPACITOR

SYMBOL NO.	INDEX NO.	SYMBOL NO.	INDEX NO.	SYMBOL NO.	INDEX NO.	SYMBOL NO.	INDEX NO.	SYMBOL NO.	INDEX NO.	SYMBOL NO.	INDEX NO.	SYMBOL NO.	INDEX NO.
C 371	221	C 381	221	C 391	216	C 401	217	C 411	216	C 421	221	C 431	216
C 372	212	C 382	213	C 392	221	C 402	217	C 412	221	C 422	221	C 432	216
C 373	212	C 383	212	C 393	221	C 403	221	C 413	207	C 423	216	C 433	216
C 374	219	C 384	212	C 394	216	C 404	216	C 414	221	C 424	221	C 434	219
C 375	221	C 385	221	C 395	221	C 405	206	C 415	221	C 425	219	C 435	217
C 376	212	C 386	216	C 396	221	C 406	221	C 416	----	C 426	216	C 436	221
C 377	216	C 387	221	C 397	206	C 407	206	C 417	221	C 427	221	C 437	219
C 378	221	C 388	216	C 398	221	C 408	216	C 418	225	C 428	219	C 438	219
C 379	221	C 389	225	C 399	219	C 409	221	C 419	216	C 429	219	C 439	221
C 380	216	C 390	216	C 400	221	C 410	216	C 420	219	C 430	----	C 440	162

CAPACITOR

SYMBOL NO.	INDEX NO.	SYMBOL NO.	INDEX NO.	SYMBOL NO.	INDEX NO.	SYMBOL NO.	INDEX NO.	SYMBOL NO.	INDEX NO.	SYMBOL NO.	INDEX NO.	SYMBOL NO.	INDEX NO.
C 441	221	C 451	219	C 461	221	C 471	217	C 481	216	CN 301	103	CN 311	107
C 442	221	C 452	221	C 462	221	C 472	216	C 482	221	CN 302	108	CN 312	112
C 443	221	C 453	221	C 463	217	C 473	212	C 483	----	CN 303	110	CN 313	114
C 444	221	C 454	221	C 464	216	C 474	212	C 484	221	CN 304	111	CN 314	109
C 445	221	C 455	221	C 465	221	C 475	212	C 485	221	CN 305	111	CN 315	107
C 446	221	C 456	221	C 466	221	C 476	164	C 486	216	CN 306	115		
C 447	221	C 457	219	C 467	217	C 477	225	C 487	221	CN 307	105		
C 448	221	C 458	162	C 468	217	C 478	216	C 488	212	CN 308	106		
C 449	206	C 459	221	C 469	205	C 479	216			CN 309	113		
C 450	206	C 460	221	C 470	218	C 480	221			CN 310	104		

CONNECTOR

SYMBOL NO.	INDEX NO.	SYMBOL NO.	INDEX NO.
CN 301	103	CN 311	107
CN 302	108	CN 312	112
CN 303	110	CN 313	114
CN 304	111	CN 314	109
CN 305	111	CN 315	107

69.BICU BOARD (A292/A293)

DA

SYMBOL NO.	INDEX NO.
DA 101	120
DA 102	120

FILTER

SYMBOL NO.	INDEX NO.
FIL 101	166
FIL 102	166
FIL 103	168
FIL 104	168
FIL 105	---
FIL 106	---
FIL 107	---
FIL 108	---
FIL 109	---
FIL 110	170

IC

SYMBOL NO.	INDEX NO.
FIL 111	167
FIL 112	---
FIL 113	---
FIL 114	---
FIL 115	165
FIL 116	169
---	---
---	---
---	---
FIL 200	169

SYMBOL NO.	INDEX NO.
IC 101	124
IC 102	127
IC 103	3
IC 104	138
IC 105	127
IC 106	142
IC 107	6
(Socket)	116
IC 109	2
IC 110	4

SYMBOL NO.	INDEX NO.
IC 111	142
IC 112	140
IC 113	126
IC 114	132
IC 115	133
IC 116	117
IC 117	132
IC 118	127
IC 119	139
IC 120	145

SYMBOL NO.	INDEX NO.
IC 121	133
IC 122	135
IC 123	133
IC 124	223
IC 125	223
IC 126	131
IC 127	223
IC 128	223
IC 129	143
IC 130	223

SYMBOL NO.	INDEX NO.
IC 131	223
IC 132	137
IC 133	134
IC 134	---
IC 135	---
IC 136	129
IC 137	129
IC 138	136
IC 139	144
IC 140	144

IC

SYMBOL NO.	INDEX NO.
IC 141	127
IC 142	132
IC 143	128
IC 144	1
IC 145	124
IC 146	125
IC 147	222
IC 148	222
IC 149	141
IC 150	141

SYMBOL NO.	INDEX NO.
IC 155	5

JP

SYMBOL NO.	INDEX NO.
JP 101	201
JP 102	---
JP 103	202
JP 104	202
JP 105	202
JP 106	202
JP 107	---
JP 108	202
JP 109	202
JP 110	---

SYMBOL NO.	INDEX NO.
JP 111	202
JP 112	202
JP 113	202
JP 114	202
JP 115	202
JP 116	202
JP 117	202
JP 118	202
JP 119	202
JP 120	202

SYMBOL NO.	INDEX NO.
JP 121	---
JP 122	202

LED

SYMBOL NO.	INDEX NO.
LED 101	123
LED 102	---
LED 103	123
LED 104	122

OSC

SYMBOL NO.	INDEX NO.
OSC 101	152
OSC 102	151
OSC 103	149
OSC 104	148
OSC 105	150
OSC 106	147

69.BICU BOARD (A292/A293)

Q

RESISTOR

SYMBOL NO.	INDEX NO.
Q 101	119
Q 102	119
Q 103	119

SYMBOL NO.	INDEX NO.
R 101	178
R 102	190
R 103	177
R 104	177
R 105	177
R 106	177
R 107	178
R 108	178
R 109	174
R 110	188

SYMBOL NO.	INDEX NO.
R 111	188
R 112	188
R 113	174
R 114	174
R 115	174
R 116	174
R 117	---
R 118	192
R 119	174
R 120	184

SYMBOL NO.	INDEX NO.
R 121	184
R 122	175
R 123	188
R 124	177
R 125	188
R 126	196
R 127	192
R 128	---
R 129	177
R 130	204

SYMBOL NO.	INDEX NO.
R 131	184
R 132	204
R 133	184
R 134	---
R 135	204
R 136	172
R 137	204
R 138	188
R 139	188
R 140	204

SYMBOL NO.	INDEX NO.
R 141	204
R 142	174
R 143	---
R 144	---
R 145	192
R 146	175
R 147	191
R 148	191
R 149	191
R 150	188

SYMBOL NO.	INDEX NO.
R 151	198
R 152	198
R 153	174
R 154	188
R 155	199
R 156	189
R 157	204
R 158	204
R 159	193
R 160	204

RESISTOR

SYMBOL NO.	INDEX NO.
R 161	193
R 162	179
R 163	177
R 164	177
R 165	177
R 166	177
R 167	177
R 168	204
R 169	179
R 170	204

SYMBOL NO.	INDEX NO.
R 171	204
R 172	---
R 173	192
R 174	188
R 175	188
R 176	188
R 177	188
R 178	176
R 179	176
R 180	173

SYMBOL NO.	INDEX NO.
R 181	176
R 182	176
R 183	173
R 184	176
R 185	191
R 186	188
R 187	191
R 188	188
R 189	180
R 190	191

SYMBOL NO.	INDEX NO.
R 191	177
R 192	191
R 193	191
R 194	194
R 195	194
R 196	194
R 197	188
R 198	188
R 199	200
R 200	180

SYMBOL NO.	INDEX NO.
R 201	176
R 202	177
R 203	177
R 204	190
R 205	178
R 206	178
R 207	178
R 208	177
R 209	178
R 210	178

SYMBOL NO.	INDEX NO.
R 211	176
R 212	176
R 213	176
R 214	176
R 215	176
R 216	176
R 217	176
R 218	176
R 219	188
R 220	190

SYMBOL NO.	INDEX NO.
R 221	190
R 222	190
R 223	177
R 224	174
R 225	176
R 226	174
R 227	176
R 228	176
R 229	177
R 230	196

69.BICU BOARD (A292/A293)

RESISTOR

SYMBOL NO.	INDEX NO.	SYMBOL NO.	INDEX NO.	SYMBOL NO.	INDEX NO.	SYMBOL NO.	INDEX NO.	SYMBOL NO.	INDEX NO.	SYMBOL NO.	INDEX NO.	SYMBOL NO.	INDEX NO.
R 231	192	R 241	196	R 251	199	R 261	177	R 271	174	R 281	188	R 291	188
R 232	185	R 242	177	R 252	177	R 262	177	R 272	177	R 282	----	R 292	188
R 233	177	R 243	174	R 253	177	R 263	177	R 273	177	R 283	188	R 293	176
R 234	174	R 244	174	R 254	177	R 264	188	R 274	190	R 284	182	R 294	193
R 235	183	R 245	199	R 255	177	R 265	183	R 275	182	R 285	188	R 295	177
R 236	196	R 246	185	R 256	177	R 266	196	R 276	177	R 286	188	R 296	177
R 237	192	R 247	174	R 257	185	R 267	199	R 277	188	R 287	188	R 297	177
R 238	192	R 248	177	R 258	177	R 268	199	R 278	188	R 288	188	R 298	177
R 239	183	R 249	185	R 259	174	R 269	----	R 279	188	R 289	188	R 299	177
R 240	183	R 250	174	R 260	177	R 270	----	R 280	182	R 290	188	R 300	191

RESISTOR

SYMBOL NO.	INDEX NO.	SYMBOL NO.	INDEX NO.	SYMBOL NO.	INDEX NO.	SYMBOL NO.	INDEX NO.	SYMBOL NO.	INDEX NO.	SYMBOL NO.	INDEX NO.	SYMBOL NO.	INDEX NO.
R 301	191	R 311	188	R 321	176	R 331	177	R 341	186	R 351	188	R 361	177
R 302	176	R 312	191	R 322	176	R 332	177	R 342	182	R 352	188	R 362	188
R 303	188	R 313	191	R 323	176	R 333	177	R 343	188	R 353	185	R 363	176
R 304	191	R 314	189	R 324	----	R 334	176	R 344	174	R 354	174	R 364	192
R 305	188	R 315	188	R 325	177	R 335	177	R 345	177	R 355	174	R 365	188
R 306	191	R 316	188	R 326	177	R 336	177	R 346	177	R 356	----	R 366	176
R 307	191	R 317	188	R 327	176	R 337	176	R 347	197	R 357	188	R 367	188
R 308	188	R 318	188	R 328	176	R 338	177	R 348	177	R 358	188	R 368	176
R 309	176	R 319	176	R 329	182	R 339	182	R 349	188	R 359	176	R 369	176
R 310	191	R 320	176	R 330	177	R 340	177	R 350	188	R 360	177	R 370	188

69.BICU BOARD (A292/A293)

RESISTOR

SYMBOL NO.	INDEX NO.	SYMBOL NO.	INDEX NO.	SYMBOL NO.	INDEX NO.	SYMBOL NO.	INDEX NO.	SYMBOL NO.	INDEX NO.	SYMBOL NO.	INDEX NO.	SYMBOL NO.	INDEX NO.
R 371	188	R 381	177	R 391	177	R 401	192	R 411	180	R 421	185	R 431	191
R 372	176	R 382	177	R 392	192	R 402	176	R 412	177	R 422	183	R 432	176
R 373	188	R 383	177	R 393	177	R 403	176	R 413	176	R 423	176	R 433	176
R 374	176	R 384	177	R 394	192	R 404	185	R 414	177	R 424	192	R 434	195
R 375	188	R 385	177	R 395	177	R 405	192	R 415	177	R 425	196	R 435	177
R 376	190	R 386	176	R 396	176	R 406	177	R 416	176	R 426	198	R 436	188
R 377	176	R 387	192	R 397	177	R 407	176	R 417	226	R 427	187	R 437	177
R 378	176	R 388	188	R 398	176	R 408	177	R 418	203	R 428	185		
R 379	188	R 389	192	R 399	176	R 409	177	R 419	176	R 429	193		
R 380	188	R 390	176	R 400	175	R 410	188	R 420	177	R 430	171		

REG

SYMBOL NO.	INDEX NO.
REG 101	146
REG 102	146

RN

SYMBOL NO.	INDEX NO.	SYMBOL NO.	INDEX NO.	SYMBOL NO.	INDEX NO.	SYMBOL NO.	INDEX NO.	SYMBOL NO.	INDEX NO.	SYMBOL NO.	INDEX NO.	SYMBOL NO.	INDEX NO.
RN 101	153	RN 111	156	RN 121	156	RN 131	156	RN 141	155	RN 151	153		
RN 102	153	RN 112	156	RN 122	156	RN 132	156	RN 142	155	RN 152	156		
RN 103	156	RN 113	156	RN 123	156	RN 133	156	RN 143	155	RN 153	156		
RN 104	156	RN 114	156	RN 124	156	RN 134	156	RN 144	153	RN 154	153		
RN 105	156	RN 115	156	RN 125	156	RN 135	156	RN 145	153	RN 155	153		
RN 106	156	RN 116	156	RN 126	155	RN 136	156	RN 146	153	RN 156	156		
RN 107	156	RN 117	156	RN 127	155	RN 137	154	RN 147	153	RN 157	153		
RN 108	156	RN 118	156	RN 128	156	RN 138	155	RN 148	153	RN 158	156		
RN 109	156	RN 119	156	RN 129	156	RN 139	155	RN 149	153	RN 159	156		
RN 110	156	RN 120	156	RN 130	156	RN 140	155	RN 150	153	RN 160	156		

69.BICU BOARD (A292/A293)

RN

SYMBOL NO.	INDEX NO.
RN 161	156
RN 162	156
RN 163	156
RN 164	156
RN 165	153
RN 166	156
RN 167	153
RN 168	153
RN 169	156
RN 170	156

SYMBOL NO.	INDEX NO.
RN 171	156
RN 172	153
RN 173	153
RN 174	156
RN 175	156
RN 176	153
RN 177	153
RN 178	153

TP

SYMBOL NO.	INDEX NO.
TP 101	102
TP 103	102
TP 113	101
TP 123	101
TP 136	101
TP 143	101

ZD

SYMBOL NO.	INDEX NO.
ZD 101	121
ZD 102	121

69.BICU BOARD (A292/A293)

Index No.	Part No.	Description	Q'ty Per Assembly
*	A293 7552	BICU Board (NA)	1
*	A293 7562	BICU Board (EU)	1
1	A232 5350	IC - HG71C103FD	1
2	A294 5151	IC - BIPU	1
3	A294 5153	IC - IMACB RF5C589C	1
4	A294 5155	IC - BIJU	1
5	A293 9099	Nv-ram Minus Counter	1

Index No.	Part No.	Description	Q'ty Per Assembly
102	1102 6760	Connector -3p	
103	1102 7029	Connector - 8p - 53375-0810	
104	1102 7095	Connector - 40P	
105	1102 7389	Connector - FH12-50S-0.5SV	
106	1102 7456	Connector 176125-5	
107	1102 7496	Connector	
108	1102 7508	Connector	
109	1102 8036	Connector - 68P	
110	1102 8065	Connector - FH12-40S-0.5SV	
111	1102 8067	Connector - FH12-15S-0.5SV	
112	1102 8091	Connector - 53505-4010	
113	1102 8095	Connector - 1-353520-1	
114	1102 8104	Connector - FX8C-60P-SV6(21)	
115	1102 8239	Connector - 1-353520-9	
116	1104 0597	IC Socket - 64p - SN	
117	1104 0766	IC Socket - 32P-2-382424-3	
118	1206 0054	Lithium Cell - CR2032-1HS	
119	1400 0392	Transistor - DTC114EK	
120	1402 1142	Diode Array - DAN217	
121	1402 1447	Diode - PTZ5.1B	
122	1403 0828	Diode - SEC1901C	
123	1403 0829	Diode - SEC1201C	
124	1407 1596	TTLIC - SN74LS14NS	
125	1407 2052	TTLIC - SN74LS74ANS	
126	1407 2138	TTLIC - 74F139SJ	
127	1407 2187	TTLIC - SN74LS07NS	
128	1407 2218	TTLIC - SN74LS06NS	
129	1407 2378	TTL - SN74ALS245ANS	
130	1407 2464	TTL - IC - SN74ALS74ANS	
131	1407 2947	IC - TC7S00F	
132	1407 3008	TTL - SN74ALS244CNS	
133	1407 3206	IC - TC7S32F	
134	1407 3411	SN74ALS541NS	
135	1407 3682	IC - TC7W00F	
136	1407 3825	ALS-TTI SN74ALS244A-1NS	

Index No.	Part No.	Description	Q'ty Per Assembly
137	1407 4044	IC - 74ACT14	
138	1407 4947	IC - 74LCX244	
139	1407 4959	IC - MC68334GCFC20	
140	1407 4962	IC - RTC-4563SB	
141	1407 5039	IC - MBM29F016A-90pFTN	
142	1407 5090	IC - DS90CF364MTD	
143	1407 5177	IC - ABT244	
144	1407 5178	IC - ABT245	
145	1408 0575	IC - M51957BFP	
146	1408 1461	IC - LM1086IS-3.3	
147	1503 0758	Oscillator - MC-306 32.768MHz	
148	1503 0885	Crystal Oscillator - 10MHz	
149	1503 0900	Crystal Oscillator - 20.5MHz	
150	1503 0901	Crystal Oscillator - 19.6608MHz	
151	1503 0904	Ceramic Oscillator - 16MHz	
152	1503 0907	Crystal Oscillator - 40MHz	
153	1601 7752	Resistor Array - 10K Ω \pm 5%	
154	1601 7753	Resistor - 47 Ω \pm 5%	
155	1601 7814	Resistor 3.3k Ω \pm 5%	
156	1601 7867	Resistor - 33 Ω \pm 5% 1/16W	
157	1604 4355	Capacitor - 47 μ F \pm 20% 25V	
158	1604 4728	Capacitor - 100 μ F \pm 20% 16V	
159	1604 4729	Capacitor - 47 μ F \pm 20% 16V	
160	1604 4730	Capacitor - 47 μ F \pm 20% 50V	
161	1605 0769	Capacitor - 20pF \pm 5% 50V	
162	1605 0928	Capacitor - 0.1uF 16V \pm 10%	
163	1605 0943	Capacitor - 0.33 μ F+80 -20% 25V	
164	1605 1055	Capacitor - 0.022 μ F \pm 10% 25V	
165	1607 0732	Noise Filter - AEF321825-470	
166	1607 0758	Filter - DSS710D223A12-22	
167	1607 0847	Data Line Filter - ACB1608H-300	
168	1607 0852	Filter - BLM41P750SPB	
169	1607 0950	Filter - ACB1608H-060	
170	1607 1041	Filter - ACB1608M-300	
171	1630 2331	Resistor - 330 Ω 1/8W \pm 5%	

Index No.	Part No.	Description	Q'ty Per Assembly
172	1630 3561	Resistor - 560 Ω \pm 5% 1/10W	
173	1630 3751	Resistor - 750 Ω \pm 5% 1/10W	
174	1630 4100	Resistor - 10 Ω \pm 5% 1/16W	
175	1630 4101	Resistor - 100 Ω \pm 5% 1/16W	
176	1630 4102	Resistor - 1.0K Ω \pm 5% 1/16W	
177	1630 4103	Resistor - 10K Ω \pm 5% 1/16W	
178	1630 4104	Resistor - 100 Ω \pm 5% 1/16W	
179	1630 4105	Resistor - 1.0M Ω \pm 5% 1/16W	
180	1630 4106	Resistor -10m Ω \pm 5% 1/16w	
181	1630 4121	Resistor - 120 Ω \pm 5% 1/16W	
182	1630 4150	Resistor - 15 Ω \pm 5.00%,1/16W	
183	1630 4161	Resistor - 160 Ω \pm 5% 1/16W	
184	1630 4220	Resistor - 22 Ω \pm 5% 1/16W	
185	1630 4222	Resistor - 2.2K Ω \pm 5%	
186	1630 4223	Resistor - 22K Ω \pm 5% 1/16W	
187	1630 4272	Resistor - 2.7k Ω - \pm 5% - 1/16W	
188	1630 4330	Resistor - 33 Ω \pm 5% 1/8W	
189	1630 4331	Resistor - 330 Ω \pm 5% 1/16W	
190	1630 4332	Resistor - 3.3K Ω \pm 5% 1/16W	
191	1630 4470	Resistor - 470 Ω \pm 5% 1/16W	
192	1630 4472	Resistor - 4.7K Ω \pm 5% 1/16W	
193	1630 4511	Resistor - 510 Ω - \pm 5% - 1/16W	
194	1630 4514	Resistor 510k Ω \pm 5.00% 1/16W	
195	1630 4561	Resistor - 5600 Ω \pm 5% 1/16W	
196	1630 4562	Resistor - 5.6k Ω - \pm 5% - 1/16W	
197	1630 4563	Resistor - 56K Ω \pm 5% 1/16W	
198	1630 4680	Resistor - 68 Ω \pm 5% 1/16W	
199	1630 4820	Resistor - 82 Ω \pm 5% 1/16W	
200	1630 4824	Resistor - 820k Ω \pm 5% 1/16W	
201	1632 0000	Resistor - 0 Ω 1/8W	
202	1634 0000	Resistor - 0 Ω 1/16W	
203	1634 3921	Resistor - 3.92K Ω \pm 1% 1/1	
204	1634 5109	Resistor - 51.0 Ω \pm 1% 1/16W	
205	1660 0100	Capacitor - 10PF \pm 0.5pF 50V	
206	1660 2101	Capacitor - 100pF - \pm 10% - 50V	

Index No.	Part No.	Description	Q'ty Per Assembly
207	1660 2151	Capacitor - 150pF ±20% 35V	
208	1660 2180	Capacitor 18pF ±5% 50V	
209	1660 2181	Capacitor - 180pF ±5% 50V	
210	1660 2220	Capacitor - 22pF ±20% 35V	
211	1660 2270	Capacitor - 27pF ±20% 35V	
212	1660 2330	Capacitor - 33pF - ±5% - 50V	
213	1660 2331	Capacitor - 330pF ±5% 50V	
214	1660 2390	Ceramic Capacitor - 39pF 50V	
215	1660 2470	Capacitor - 47pF ±5% 50V	
216	1660 2471	Capacitor - 470pF - ±5% - 50V	
217	1660 4103	Capacitor - 10000pF ±10% 50V	
218	1660 4332	Capacitor - 3300pF - ±10% - 50V	
219	1660 6103	Capacitor - 10000pF - +80%-20%50V	
220	1660 6223	Capacitor 22000pF +80 -20% 50V	
221	1660 8104	Capacitor - 0.1µF+80-20% 25V	
222	1902 0043	IC - 4MX8 70NS G2	
223	1907 0007	SDRAM 64M 1MX16X4 100MHZ G3	

Index No.	Part No.	Description	Q'ty Per Assembly

70.BICU BOARD (B098)

BAT

SYMBOL NO.	INDEX NO.
BAT 101	118

CAPACITOR

SYMBOL NO.	INDEX NO.
C 101	221
C 102	212
C 103	212
C 104	157
C 105	221
C 106	221
C 107	158
C 108	158
C 109	159
C 110	221

SYMBOL NO.	INDEX NO.
C 111	158
C 112	160
C 113	216
C 114	221
C 115	216
C 116	215
C 117	221
C 118	216
C 119	209
C 120	221

SYMBOL NO.	INDEX NO.
C 121	219
C 122	209
C 123	219
C 124	221
C 125	209
C 126	216
C 127	216
C 128	221
C 129	216
C 130	159

SYMBOL NO.	INDEX NO.
C 131	221
C 132	221
C 133	216
C 134	216
C 135	219
C 136	159
C 137	216
C 138	221
C 139	221
C 140	216

SYMBOL NO.	INDEX NO.
C 141	221
C 142	225
C 143	221
C 144	205
C 145	212
C 146	221
C 147	216
C 148	221
C 149	216
C 150	221

SYMBOL NO.	INDEX NO.
C 151	221
C 152	216
C 153	212
C 154	212
C 155	----
C 156	212
C 157	216
C 158	212
C 159	221
C 160	210

CAPACITOR

SYMBOL NO.	INDEX NO.
C 161	----
C 162	213
C 163	221
C 164	210
C 165	213
C 166	221
C 167	221
C 168	216
C 169	216
C 170	211

SYMBOL NO.	INDEX NO.
C 171	221
C 172	221
C 173	221
C 174	210
C 175	221
C 176	161
C 177	205
C 178	211
C 179	214
C 180	205

SYMBOL NO.	INDEX NO.
C 181	219
C 182	219
C 183	206
C 184	221
C 185	221
C 186	----
C 187	221
C 188	219
C 189	221
C 190	217

SYMBOL NO.	INDEX NO.
C 191	219
C 192	208
C 193	221
C 194	210
C 195	215
C 196	163
C 197	219
C 198	158
C 199	219
C 200	212

SYMBOL NO.	INDEX NO.
C 201	212
C 202	212
C 203	212
C 204	212
C 205	212
C 206	206
C 207	206
C 208	206
C 209	206
C 210	206

SYMBOL NO.	INDEX NO.
C 211	206
C 212	206
C 213	212
C 214	212
C 215	212
C 216	212
C 217	212
C 218	212
C 219	219
C 220	162

SYMBOL NO.	INDEX NO.
C 221	216
C 222	----
C 223	212
C 224	162
C 225	212
C 226	212
C 227	212
C 228	212
C 229	212
C 230	162

70.BICU BOARD (B098)

CAPACITOR

SYMBOL NO.	INDEX NO.	SYMBOL NO.	INDEX NO.	SYMBOL NO.	INDEX NO.	SYMBOL NO.	INDEX NO.	SYMBOL NO.	INDEX NO.	SYMBOL NO.	INDEX NO.	SYMBOL NO.	INDEX NO.
C 231	216	C 241	221	C 251	220	C 261	216	C 271	221	C 281	216	C 291	216
C 232	221	C 242	216	C 252	220	C 262	221	C 272	217	C 282	221	C 292	221
C 233	216	C 243	221	C 253	219	C 263	221	C 273	217	C 283	216	C 293	216
C 234	216	C 244	216	C 254	221	C 264	216	C 274	219	C 284	216	C 294	216
C 235	221	C 245	221	C 255	216	C 265	216	C 275	221	C 285	216	C 295	221
C 236	216	C 246	221	C 256	221	C 266	216	C 276	216	C 286	221	C 296	216
C 237	221	C 247	216	C 257	221	C 267	221	C 277	221	C 287	216	C 297	221
C 238	216	C 248	219	C 258	216	C 268	216	C 278	----	C 288	221	C 298	216
C 239	221	C 249	216	C 259	221	C 269	221	C 279	216	C 289	221	C 299	221
C 240	216	C 250	217	C 260	216	C 270	216	C 280	216	C 290	221	C 300	216

CAPACITOR

SYMBOL NO.	INDEX NO.	SYMBOL NO.	INDEX NO.	SYMBOL NO.	INDEX NO.	SYMBOL NO.	INDEX NO.	SYMBOL NO.	INDEX NO.	SYMBOL NO.	INDEX NO.	SYMBOL NO.	INDEX NO.
C 301	216	C 311	219	C 321	216	C 331	216	C 341	221	C 351	221	C 361	219
C 302	221	C 312	216	C 322	216	C 332	219	C 342	----	C 352	216	C 362	221
C 303	221	C 313	216	C 323	216	C 333	221	C 343	221	C 353	216	C 363	221
C 304	216	C 314	221	C 324	217	C 334	221	C 344	221	C 354	219	C 364	212
C 305	221	C 315	221	C 325	221	C 335	219	C 345	216	C 355	221	C 365	219
C 306	216	C 316	----	C 326	221	C 336	221	C 346	221	C 356	216	C 366	221
C 307	219	C 317	221	C 327	216	C 337	221	C 347	216	C 357	212	C 367	212
C 308	216	C 318	221	C 328	216	C 338	216	C 348	212	C 358	216	C 368	212
C 309	216	C 319	216	C 329	221	C 339	219	C 349	221	C 359	219	C 369	216
C 310	221	C 320	221	C 330	216	C 340	216	C 350	216	C 360	221	C 370	219

70.BICU BOARD (B098)

CAPACITOR

SYMBOL NO.	INDEX NO.	SYMBOL NO.	INDEX NO.	SYMBOL NO.	INDEX NO.	SYMBOL NO.	INDEX NO.	SYMBOL NO.	INDEX NO.	SYMBOL NO.	INDEX NO.	SYMBOL NO.	INDEX NO.
C 371	221	C 381	221	C 391	216	C 401	217	C 411	216	C 421	221	C 431	216
C 372	212	C 382	213	C 392	221	C 402	217	C 412	221	C 422	221	C 432	216
C 373	212	C 383	212	C 393	221	C 403	221	C 413	207	C 423	216	C 433	216
C 374	219	C 384	212	C 394	216	C 404	216	C 414	221	C 424	221	C 434	219
C 375	221	C 385	221	C 395	221	C 405	206	C 415	221	C 425	219	C 435	217
C 376	212	C 386	216	C 396	221	C 406	221	C 416	----	C 426	216	C 436	221
C 377	216	C 387	221	C 397	206	C 407	206	C 417	221	C 427	221	C 437	219
C 378	221	C 388	216	C 398	221	C 408	216	C 418	225	C 428	219	C 438	219
C 379	221	C 389	225	C 399	219	C 409	221	C 419	216	C 429	219	C 439	221
C 380	216	C 390	216	C 400	221	C 410	216	C 420	219	C 430	----	C 440	162

CAPACITOR

SYMBOL NO.	INDEX NO.	SYMBOL NO.	INDEX NO.	SYMBOL NO.	INDEX NO.	SYMBOL NO.	INDEX NO.	SYMBOL NO.	INDEX NO.	SYMBOL NO.	INDEX NO.		
C 441	221	C 451	219	C 461	221	C 471	217	C 481	216	CN 301	103	CN 311	107
C 442	221	C 452	221	C 462	221	C 472	216	C 482	221	CN 302	108	CN 312	112
C 443	221	C 453	221	C 463	217	C 473	212	C 483	----	CN 303	110	CN 313	114
C 444	221	C 454	221	C 464	216	C 474	212	C 484	221	CN 304	111	CN 314	109
C 445	221	C 455	221	C 465	221	C 475	212	C 485	221	CN 305	111	CN 315	107
C 446	221	C 456	221	C 466	221	C 476	164	C 486	216	CN 306	115		
C 447	221	C 457	219	C 467	217	C 477	225	C 487	221	CN 307	105		
C 448	221	C 458	162	C 468	217	C 478	216	C 488	212	CN 308	106		
C 449	206	C 459	221	C 469	205	C 479	216			CN 309	113		
C 450	206	C 460	221	C 470	218	C 480	221			CN 310	104		

CONNECTOR

SYMBOL NO.	INDEX NO.	SYMBOL NO.	INDEX NO.
CN 301	103	CN 311	107
CN 302	108	CN 312	112
CN 303	110	CN 313	114
CN 304	111	CN 314	109
CN 305	111	CN 315	107

70.BICU BOARD (B098)

DA

SYMBOL NO.	INDEX NO.
DA 101	120
DA 102	120

FILTER

SYMBOL NO.	INDEX NO.
FIL 101	166
FIL 102	166
FIL 103	168
FIL 104	168
FIL 105	---
FIL 106	---
FIL 107	---
FIL 108	---
FIL 109	---
FIL 110	170

SYMBOL NO.	INDEX NO.
FIL 111	167
FIL 112	---
FIL 113	---
FIL 114	---
FIL 115	165
FIL 116	169
---	---
---	---
---	---
FIL 200	169

IC

SYMBOL NO.	INDEX NO.
IC 101	124
IC 102	127
IC 103	3
IC 104	138
IC 105	127
IC 106	142
IC 107	6
(Socket)	116
IC 109	2
IC 110	4

SYMBOL NO.	INDEX NO.
IC 111	142
IC 112	140
IC 113	126
IC 114	132
IC 115	133
IC 116	117
IC 117	132
IC 118	127
IC 119	139
IC 120	145

SYMBOL NO.	INDEX NO.
IC 121	133
IC 122	135
IC 123	133
IC 124	223
IC 125	223
IC 126	131
IC 127	223
IC 128	223
IC 129	143
IC 130	223

SYMBOL NO.	INDEX NO.
IC 131	223
IC 132	137
IC 133	134
IC 134	---
IC 135	---
IC 136	129
IC 137	129
IC 138	136
IC 139	144
IC 140	144

IC

SYMBOL NO.	INDEX NO.
IC 141	127
IC 142	132
IC 143	128
IC 144	1
IC 145	124
IC 146	125
IC 147	222
IC 148	222
IC 149	141
IC 150	141

SYMBOL NO.	INDEX NO.
IC 155	5

JP

SYMBOL NO.	INDEX NO.
JP 101	201
JP 102	---
JP 103	202
JP 104	202
JP 105	202
JP 106	202
JP 107	---
JP 108	202
JP 109	202
JP 110	---

SYMBOL NO.	INDEX NO.
JP 111	202
JP 112	202
JP 113	202
JP 114	202
JP 115	202
JP 116	202
JP 117	202
JP 118	202
JP 119	202
JP 120	202

SYMBOL NO.	INDEX NO.
JP 121	---
JP 122	202

LED

SYMBOL NO.	INDEX NO.
LED 101	123
LED 102	---
LED 103	123
LED 104	122

OSC

SYMBOL NO.	INDEX NO.
OSC 101	152
OSC 102	151
OSC 103	149
OSC 104	148
OSC 105	150
OSC 106	147

70.BICU BOARD (B098)

Q

RESISTOR

SYMBOL NO.	INDEX NO.	SYMBOL NO.	INDEX NO.	SYMBOL NO.	INDEX NO.	SYMBOL NO.	INDEX NO.	SYMBOL NO.	INDEX NO.	SYMBOL NO.	INDEX NO.	SYMBOL NO.	INDEX NO.
Q 101	119	R 101	178	R 111	188	R 121	184	R 131	184	R 141	204	R 151	198
Q 102	119	R 102	190	R 112	188	R 122	175	R 132	204	R 142	174	R 152	198
Q 103	119	R 103	177	R 113	174	R 123	188	R 133	184	R 143	----	R 153	174
		R 104	177	R 114	174	R 124	177	R 134	----	R 144	----	R 154	188
		R 105	177	R 115	174	R 125	188	R 135	204	R 145	192	R 155	199
		R 106	177	R 116	174	R 126	196	R 136	172	R 146	175	R 156	189
		R 107	178	R 117	----	R 127	192	R 137	204	R 147	191	R 157	204
		R 108	178	R 118	192	R 128	----	R 138	188	R 148	191	R 158	204
		R 109	174	R 119	174	R 129	177	R 139	188	R 149	191	R 159	193
		R 110	188	R 120	184	R 130	204	R 140	204	R 150	188	R 160	204

RESISTOR

SYMBOL NO.	INDEX NO.	SYMBOL NO.	INDEX NO.	SYMBOL NO.	INDEX NO.	SYMBOL NO.	INDEX NO.	SYMBOL NO.	INDEX NO.	SYMBOL NO.	INDEX NO.	SYMBOL NO.	INDEX NO.
R 161	193	R 171	204	R 181	176	R 191	177	R 201	176	R 211	176	R 221	190
R 162	179	R 172	----	R 182	176	R 192	191	R 202	177	R 212	176	R 222	190
R 163	177	R 173	192	R 183	173	R 193	191	R 203	177	R 213	176	R 223	177
R 164	177	R 174	188	R 184	176	R 194	194	R 204	190	R 214	176	R 224	174
R 165	177	R 175	188	R 185	191	R 195	194	R 205	178	R 215	176	R 225	176
R 166	177	R 176	188	R 186	188	R 196	194	R 206	178	R 216	176	R 226	174
R 167	177	R 177	188	R 187	191	R 197	188	R 207	178	R 217	176	R 227	176
R 168	204	R 178	176	R 188	188	R 198	188	R 208	177	R 218	176	R 228	176
R 169	179	R 179	176	R 189	180	R 199	200	R 209	178	R 219	188	R 229	177
R 170	204	R 180	173	R 190	191	R 200	180	R 210	178	R 220	190	R 230	196

70.BICU BOARD (B098)

RESISTOR

SYMBOL NO.	INDEX NO.	SYMBOL NO.	INDEX NO.	SYMBOL NO.	INDEX NO.	SYMBOL NO.	INDEX NO.	SYMBOL NO.	INDEX NO.	SYMBOL NO.	INDEX NO.	SYMBOL NO.	INDEX NO.
R 231	192	R 241	196	R 251	199	R 261	177	R 271	174	R 281	188	R 291	188
R 232	185	R 242	177	R 252	177	R 262	177	R 272	177	R 282	----	R 292	188
R 233	177	R 243	174	R 253	177	R 263	177	R 273	177	R 283	188	R 293	176
R 234	174	R 244	174	R 254	177	R 264	188	R 274	190	R 284	182	R 294	193
R 235	183	R 245	199	R 255	177	R 265	183	R 275	182	R 285	188	R 295	177
R 236	196	R 246	185	R 256	177	R 266	196	R 276	177	R 286	188	R 296	177
R 237	192	R 247	174	R 257	185	R 267	199	R 277	188	R 287	188	R 297	177
R 238	192	R 248	177	R 258	177	R 268	199	R 278	188	R 288	188	R 298	177
R 239	183	R 249	185	R 259	174	R 269	----	R 279	188	R 289	188	R 299	177
R 240	183	R 250	174	R 260	177	R 270	----	R 280	182	R 290	188	R 300	191

RESISTOR

SYMBOL NO.	INDEX NO.	SYMBOL NO.	INDEX NO.	SYMBOL NO.	INDEX NO.	SYMBOL NO.	INDEX NO.	SYMBOL NO.	INDEX NO.	SYMBOL NO.	INDEX NO.	SYMBOL NO.	INDEX NO.
R 301	191	R 311	188	R 321	176	R 331	177	R 341	186	R 351	188	R 361	177
R 302	176	R 312	191	R 322	176	R 332	177	R 342	182	R 352	188	R 362	188
R 303	188	R 313	191	R 323	176	R 333	177	R 343	188	R 353	185	R 363	176
R 304	191	R 314	189	R 324	----	R 334	176	R 344	174	R 354	174	R 364	192
R 305	188	R 315	188	R 325	177	R 335	177	R 345	177	R 355	174	R 365	188
R 306	191	R 316	188	R 326	177	R 336	177	R 346	177	R 356	----	R 366	176
R 307	191	R 317	188	R 327	176	R 337	176	R 347	197	R 357	188	R 367	188
R 308	188	R 318	188	R 328	176	R 338	177	R 348	177	R 358	188	R 368	176
R 309	176	R 319	176	R 329	182	R 339	182	R 349	188	R 359	176	R 369	176
R 310	191	R 320	176	R 330	177	R 340	177	R 350	188	R 360	177	R 370	188

70.BICU BOARD (B098)

RESISTOR

SYMBOL NO.	INDEX NO.	SYMBOL NO.	INDEX NO.	SYMBOL NO.	INDEX NO.	SYMBOL NO.	INDEX NO.	SYMBOL NO.	INDEX NO.	SYMBOL NO.	INDEX NO.	SYMBOL NO.	INDEX NO.
R 371	188	R 381	177	R 391	177	R 401	192	R 411	180	R 421	185	R 431	191
R 372	176	R 382	177	R 392	192	R 402	176	R 412	177	R 422	183	R 432	176
R 373	188	R 383	177	R 393	177	R 403	176	R 413	176	R 423	176	R 433	176
R 374	176	R 384	177	R 394	192	R 404	185	R 414	177	R 424	192	R 434	195
R 375	188	R 385	177	R 395	177	R 405	192	R 415	177	R 425	196	R 435	177
R 376	190	R 386	176	R 396	176	R 406	177	R 416	176	R 426	198	R 436	188
R 377	176	R 387	192	R 397	177	R 407	176	R 417	226	R 427	187	R 437	177
R 378	176	R 388	188	R 398	176	R 408	177	R 418	203	R 428	185		
R 379	188	R 389	192	R 399	176	R 409	177	R 419	176	R 429	193		
R 380	188	R 390	176	R 400	175	R 410	188	R 420	177	R 430	171		

REG

SYMBOL NO.	INDEX NO.
REG 101	146
REG 102	146

RN

SYMBOL NO.	INDEX NO.	SYMBOL NO.	INDEX NO.	SYMBOL NO.	INDEX NO.	SYMBOL NO.	INDEX NO.	SYMBOL NO.	INDEX NO.	SYMBOL NO.	INDEX NO.	SYMBOL NO.	INDEX NO.
RN 101	153	RN 111	156	RN 121	156	RN 131	156	RN 141	155	RN 151	153		
RN 102	153	RN 112	156	RN 122	156	RN 132	156	RN 142	155	RN 152	156		
RN 103	156	RN 113	156	RN 123	156	RN 133	156	RN 143	155	RN 153	156		
RN 104	156	RN 114	156	RN 124	156	RN 134	156	RN 144	153	RN 154	153		
RN 105	156	RN 115	156	RN 125	156	RN 135	156	RN 145	153	RN 155	153		
RN 106	156	RN 116	156	RN 126	155	RN 136	156	RN 146	153	RN 156	156		
RN 107	156	RN 117	156	RN 127	155	RN 137	154	RN 147	153	RN 157	153		
RN 108	156	RN 118	156	RN 128	156	RN 138	155	RN 148	153	RN 158	156		
RN 109	156	RN 119	156	RN 129	156	RN 139	155	RN 149	153	RN 159	156		
RN 110	156	RN 120	156	RN 130	156	RN 140	155	RN 150	153	RN 160	156		

70.BICU BOARD (B098)

RN

SYMBOL NO.	INDEX NO.
RN 161	156
RN 162	156
RN 163	156
RN 164	156
RN 165	153
RN 166	156
RN 167	153
RN 168	153
RN 169	156
RN 170	156

SYMBOL NO.	INDEX NO.
RN 171	156
RN 172	153
RN 173	153
RN 174	156
RN 175	156
RN 176	153
RN 177	153
RN 178	153

TP

SYMBOL NO.	INDEX NO.
TP 101	102
TP 103	102
TP 113	101
TP 123	101
TP 136	101
TP 143	101

ZD

SYMBOL NO.	INDEX NO.
ZD 101	121
ZD 102	121

70.BICU BOARD (B098)

Index No.	Part No.	Description	Q'ty Per Assembly
*	B098 7552	BICU Board (NA) (B098)	1
*	B098 7562	BICU Board (EU) (B098)	1
1	A232 5350	IC - HG71C103FD	1
2	A294 5151	IC - BIPU	1
3	A294 5153	IC - IMACB RF5C589C	1
4	A294 5155	IC - BIJU	1
6	A294 5144	IC - HDC	1
7	A293 5110	IC - EPM 7064SLC-10	1

Index No.	Part No.	Description	Q'ty Per Assembly
101	1102 6760	Connector -3p	
102	1102 7029	Connector - 8p - 53375-0810	
103	1102 7095	Connector - 40P	
104	1102 7389	Connector - FH12-50S-0.5SV	
105	1102 7456	Connector - 176125-5	
106	1102 7496	Connector	
107	1102 7508	Connector	
108	1102 8036	Connector - 68P	
109	1102 8065	Connector - FH12-40S-0.5SV	
110	1102 8067	Connector - FH12-15S-0.5SV	
111	1102 8091	Connector - 53505-4010	
112	1102 8095	Connector - 1-353520-1	
113	1102 8104	Connector - FX8C-60P-SV6(21)	
114	1102 8239	Connector - 1-353520-9	
115	1104 0589	DIP Socket - 32p	
116	1104 0597	IC Socket - 64p - SN	
117	1206 0054	Lithium Cell - CR2032-1HS	
118	1400 0392	Transistor - DTC114EK	
119	1402 1142	Diode Array - DAN217	
120	1402 1365	Diode-rb751v-40	
121	1402 1447	Diode - PTZ5.1B	
122	1403 0828	Diode - SEC1901C	
123	1403 0829	Diode - SEC1201C	
124	1407 1596	TTLIC - SN74LS14NS	
125	1407 2052	TTLIC - SN74LS74ANS	
126	1407 2138	TTLIC - 74F139SJ	
127	1407 2187	TTLIC - SN74LS07NS	
128	1407 2218	TTLIC - SN74LS06NS	
129	1407 2378	TTL - SN74ALS245ANS	
130	1407 2947	IC - TC7S00F	
131	1407 3008	TTL - SN74ALS244CNS	
132	1407 3206	IC - TC7S32F	
133	1407 3411	Sn74als541ns	
134	1407 3682	IC - TC7W00F	
135	1407 3825	Als-ttl Sn74als244a-1ns	

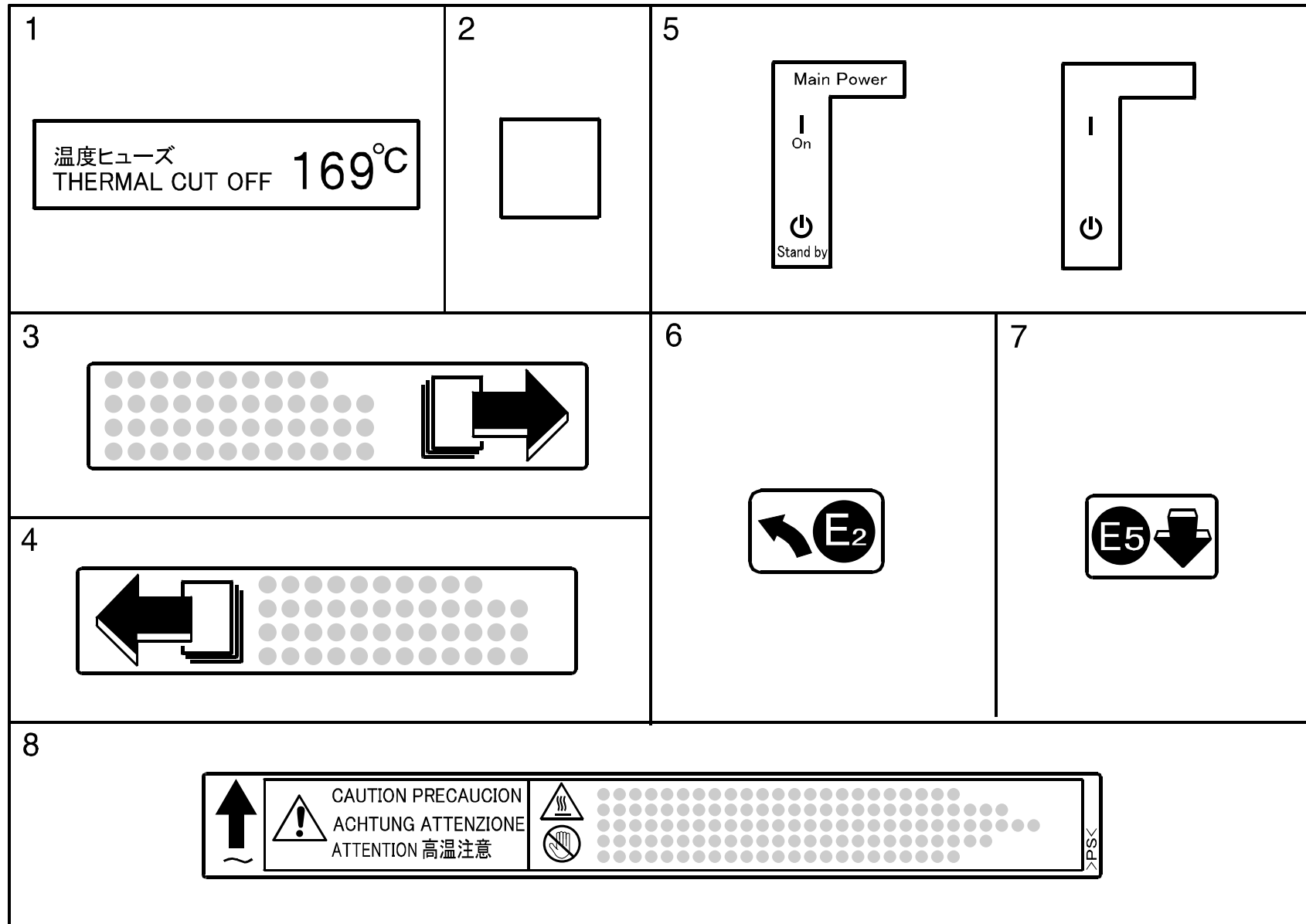
Index No.	Part No.	Description	Q'ty Per Assembly
136	1407 4044	IC - 74ACT14	
137	1407 4947	IC - 74LCX244	
138	1407 4959	IC - MC68334GCFC20	
139	1407 5039	IC - MBM29F016A-90pFTN	
140	1407 5090	IC - DS90CF364MTD	
141	1407 5177	IC - ABT244	
142	1407 5178	IC - ABT245	
143	1407 5672	IC:rtc-4574sa	
144	1408 0575	IC - M51957BFP	
145	1408 1461	IC - LM1086IS-3.3	
146	1503 0758	Oscillator - MC-306 32.768MHZ	
147	1503 0885	Crystal Oscillator - 10MHZ	
148	1503 0900	Crystal Oscillator - 20.5MHZ	
149	1503 0901	Crystal Oscillator - 19.6608MHZ	
150	1503 0904	Ceramic Oscillator - 16mhz	
151	1503 0907	Crystal Oscilator-40mhz	
152	1601 7752	Resistor Array - 10K Ω \pm 5%	
153	1601 7753	Resistor - 47 Ω \pm 5%	
154	1601 7814	Resistor - 3.3K Ω \pm 5%	
155	1601 7867	Resistor - 33 Ω \pm 5% 1/16W	
156	1604 4355	Capacitor - 47 μ F \pm 20% 25V	
157	1604 4728	Capacitor - 100 μ F \pm 20% 16V	
158	1604 4729	Capacitor - 47 μ F \pm 20% 16V	
159	1604 4730	Capacitor - 47 μ F \pm 20% 50V	
160	1605 0976	Capacitor - 1 μ F+80% -20% 10V	
161	1605 1161	Capacitor - 0.33 μ F \pm 10% 10V	
162	1605 1187	Ceramic Capacitor 0.047 μ F \pm 10% 50v	
163	1605 1225	Capacitor - 0.1 μ F \pm 10% 50V	
164	1605 1266	Capacitor: 0.022 μ F: \pm 10%:50V	
165	1607 0732	Noise Filter - Aef321825-470	
166	1607 0758	Filter - Dss710d223a12-22	
167	1607 0847	Data Line Filter - Acb1608h-300	
168	1607 0852	Filter - Blm41p750spb	
169	1607 0950	Filter - Acb1608h-060	
170	1607 1041	Filter - Acb1608m-300	

Index No.	Part No.	Description	Q'ty Per Assembly
171	1632 0000	Resistor - 0 Ω 1/8W	
172	1634 0000	Resistor - 0 Ω 1/16W	
173	1650 2331	Chip Resistor:330 Ω : \pm 5%:1/4w	
174	1650 3561	Resistor - 560 Ω \pm 5% 1/8W	
175	1650 3751	Chip Resistor:750 Ω : \pm 5%:1/8w	
176	1650 4100	Resistor - 10 Ω \pm 5% 1/10W	
177	1650 4101	Resistor - 100 Ω \pm 5%1/10W	
178	1650 4102	Resistor - 1K Ω \pm 5% 1/10W	
179	1650 4103	Resistor - 10K Ω \pm 5% 1/10W	
180	1650 4104	Resistor - 100K Ω \pm 5%1/10W	
181	1650 4105	Resistor - 1M Ω \pm 5% 1/10W	
182	1650 4106	Resistor - 10M Ω \pm 5%1/10W	
183	1650 4121	Resistor - 120 Ω \pm 5%1/10W	
184	1650 4150	Resistor - 15 Ω \pm 5% 1/10W	
185	1650 4161	Resistor - 160 Ω \pm 5% 1/10W	
186	1650 4220	Chip Resistor - 22 Ω \pm 5% 1/10w	
187	1650 4222	Resistor - 2.2K Ω \pm 5%1/10W	
188	1650 4223	Resistor - 22K Ω \pm 5%1/10W	
189	1650 4272	Resistor - 2.7K Ω \pm 5%1/10W	
190	1650 4330	Chip Resistor - 33 Ω \pm 5% 1/10w	
191	1650 4331	Resistor - 330 Ω \pm 5%1/10W	
192	1650 4332	Resistor - 3.3K Ω \pm 5%1/10W	
193	1650 4470	Resistor - 47 Ω \pm 5%1/10W	
194	1650 4472	Resistor - 4.7K Ω \pm 5% 1/10W	
195	1650 4511	Resistor - 510 Ω \pm 5%1/10W	
196	1650 4514	Resistor - 510K Ω \pm 5% 1/10W	
197	1650 4562	Resistor - 5.6K Ω \pm 5% 1/10W	
198	1650 4563	Resistor - 56K Ω \pm 5%1/10W	
199	1650 4680	Resistor - 68 Ω \pm 5%1/10W	
200	1650 4820	Resistor - 82 Ω \pm 5% 1/10W	
201	1650 4824	Resistor: 820k Ω : \pm 5%:1/10w:1608	
202	1654 1002	Resistor - 10K Ω \pm 5%1/10W	
203	1654 3921	Resistor: 3.92k Ω : \pm 1%:1/10w:1608	
204	1654 5109	Resistor: 51 Ω : \pm 1%:1/10w	
205	1660 0100	Capacitor - 10PF \pm 0.5pF 50V	


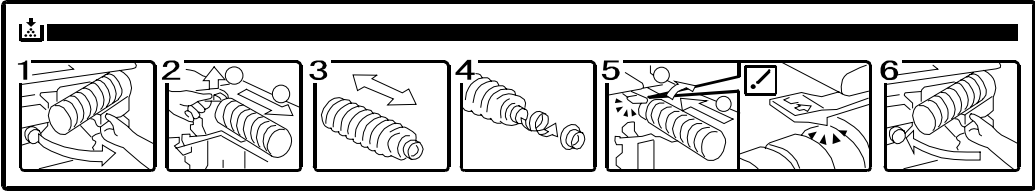
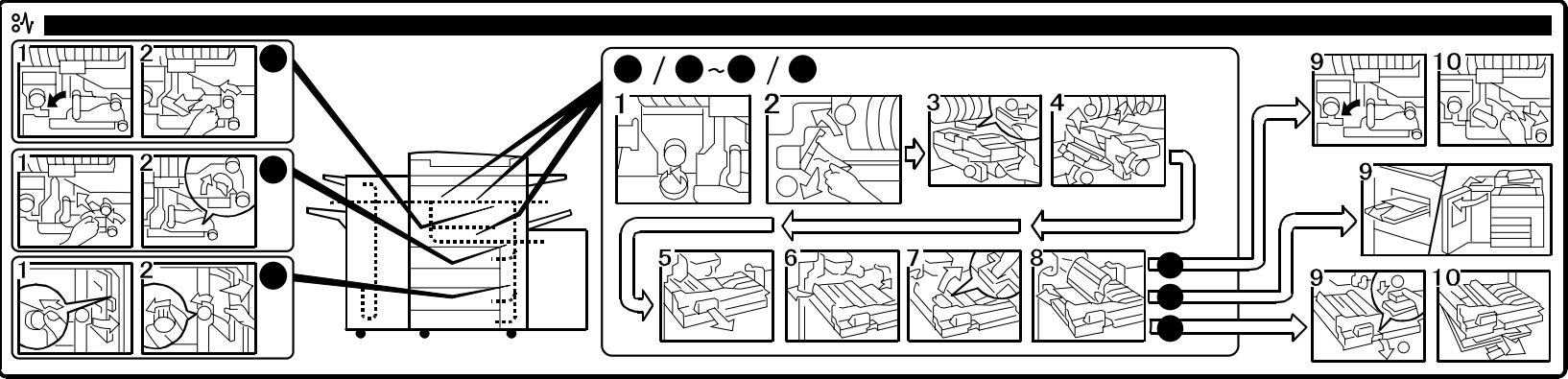
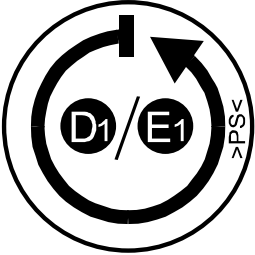
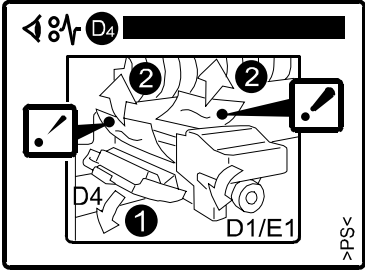
Index No.	Part No.	Description	Q'ty Per Assembly
206	1660 2101	Capacitor - 100pF - $\pm 10\%$ - 50V	
207	1660 2151	Capacitor - 150pF $\pm 20\%$ 35V	
208	1660 2180	Capacitor 18pF $\pm 5\%$ 50v	
209	1660 2181	Capacitor - 180pF $\pm 5\%$ 50V	
210	1660 2220	Capacitor - 22pF $\pm 20\%$ 35V	
211	1660 2270	Capacitor - 27pF $\pm 20\%$ 35V	
212	1660 2330	Capacitor - 33pF - $\pm 5\%$ - 50V	
213	1660 2331	Capacitor - 330pF $\pm 5\%$ 50V	
214	1660 2390	Ceramic Capacitor - 39pF 50v	
215	1660 2470	Capacitor - 47pF $\pm 5\%$ 50V	
216	1660 2471	Capacitor - 470pF - $\pm 5\%$ - 50V	
217	1660 4103	Capacitor - 10000pF - $\pm 10\%$ - 50V	
218	1660 4332	Capacitor - 3300pF - $\pm 10\%$ - 50V	
219	1660 6103	Capacitor - 10000pF - +80%-20%50V	
220	1660 6223	Capacitor - 22000pF +80 -20% 50V	
221	1660 8104	Capacitor - 0.1 μ F+80-20% 25V	
222	1902 0043	IC - 4MX8 70NS G2	
223	1907 0007	SDRAM - 64k 1mx 16x4 100mhz G3	

Index No.	Part No.	Description	Q'ty Per Assembly

71.DECAL AND DOCUMENT (A292/A293)




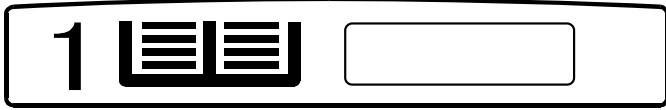
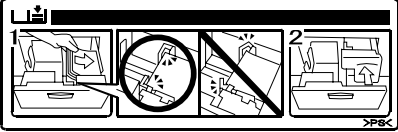
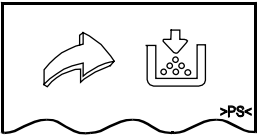

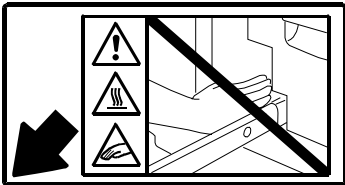
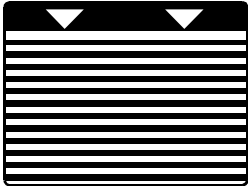
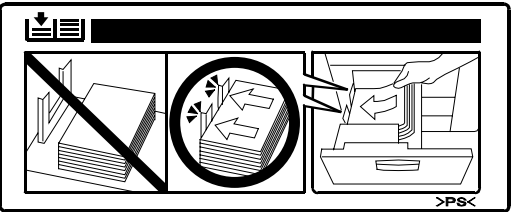
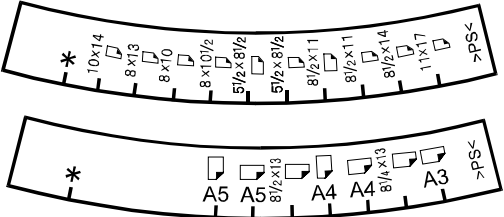
71.DECAL AND DOCUMENT (A292/A293)

<p>9</p> 	<p>10</p> 						
<p>11</p> 							
<p>12</p> 	<p>13</p> 	<p>14</p> <table border="1"> <tr> <td>Face up</td> </tr> <tr> <td>Mit der Schriftseite nach oben</td> </tr> <tr> <td>Face imprimée dessus</td> </tr> <tr> <td>Faccia in su</td> </tr> <tr> <td>Boca arriba</td> </tr> </table>	Face up	Mit der Schriftseite nach oben	Face imprimée dessus	Faccia in su	Boca arriba
Face up							
Mit der Schriftseite nach oben							
Face imprimée dessus							
Faccia in su							
Boca arriba							

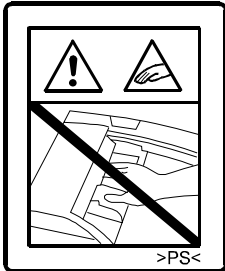
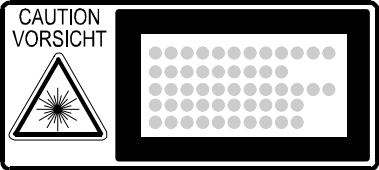
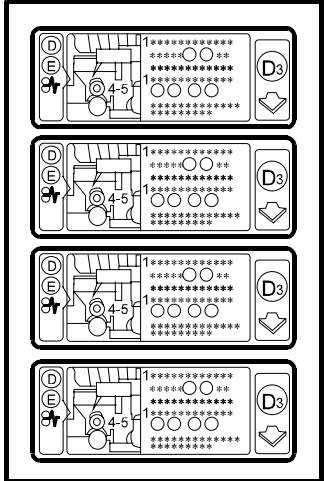
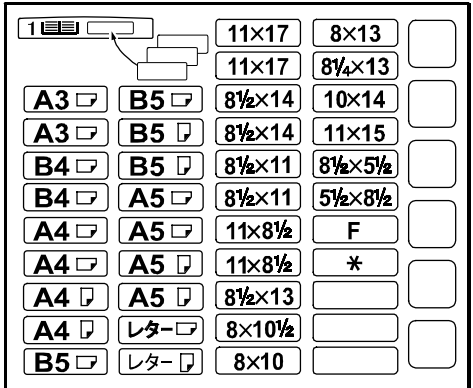

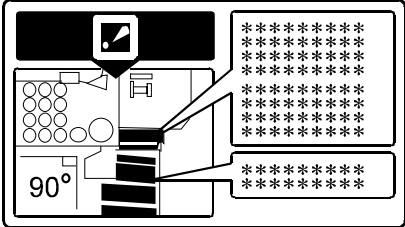
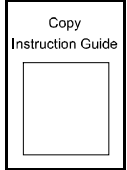
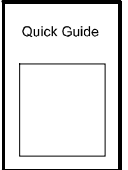
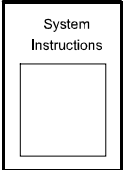
71.DECAL AND DOCUMENT (A292/A293)

<p>15</p>	<p>17</p>	<p>18</p> <div style="border: 1px solid black; padding: 5px;"> <p>WARNING</p> <ul style="list-style-type: none"> • Do not incinerate waste toner. • Toner dust may cause flashback when exposed to open flame. </div>
<p>16</p>	<p>19</p>	
	<p>20</p>	<p>21</p>

71.DECAL AND DOCUMENT (A292/A293)

<p>22</p> 	<p>25</p> 	<p>29</p> 
<p>23</p> 	<p>26</p> 	<p>30</p> 
<p>24</p> 	<p>28</p> 	<p>31</p> 

71.DECAL AND DOCUMENT (A292/A293)

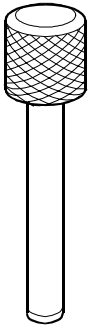
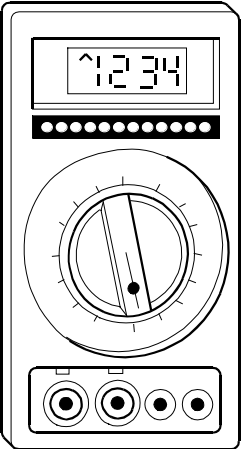
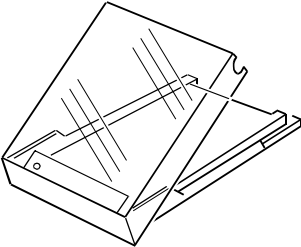
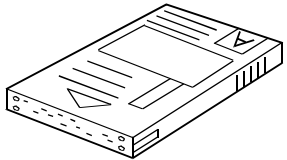
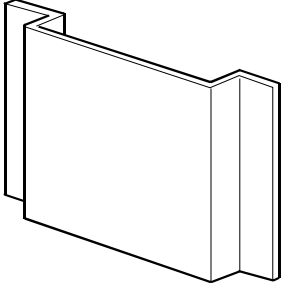
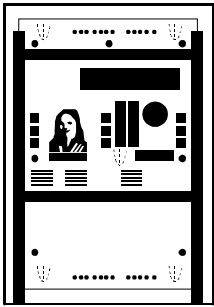
<p>32</p> 	<p>33</p> 	<p>38</p> 
<p>34</p> 	<p>39</p> 	<p>39</p> 
<p>35</p> 	<p>36</p> 	<p>37</p> 

71.DECAL AND DOCUMENT (A292/A293)

Index No.	Part No.	Description	Q'ty Per Assembly
2	A029 2984	Decal - Grip	1
3	A096 6677	Decal - Right Paper Set	1
4	A096 6678	Decal - Left Paper Set	1
5	A229 1360	Decal - Main Switch (120V)	1
5	A229 1361	Decal - Main Switch (230V)	1
6	A229 4492	Decal - Exit Guide	1
7	A229 4734	Decal - Guide Plate Lever	1
8	A229 4821	Decal - Warning	1
9	A232 1381	Decal - Total Counter	1
10	A293 1349	Decal - Toner Supply	1
11	A293 1350	Decal - Misfeed Removal	1
12	A293 4077	Decal - Rotation Direction Knob	1
13	A293 4156	Decal - Confirm Paper	1
14	A610 6051	Decal - Document Set (A292/A293)	1
14	B477 4431	Decal - Original Table (B098)	1
15	A806 4311	Decal - Misfeed Removal	1
16	A806 4321	Decal - Original Stack Height	1
17	A806 4331	Decal - Original Size	1
18	AA00 0059	Caution Decal - English	1
19	AA00 0213	Decal - Universal Tray	1
20	AA00 0540	Decal - Misfeed Removal	1
21	AA00 1213	Decal - B2	1
22	AA00 1326	Decal - A1	1
23	AA00 1394	Decal - Toner Supply	1
24	AA00 2010	Decal - Paper Level	1
25	AA00 2237	Decal - Paper Tray No1	1
26	AA00 2238	Decal - Cover No.2	1
27	AA00 2239	Decal - Cover No.3	1
28	AA00 2244	Decal - Paper Set - Left	1
29	AA00 2245	Decal - Paper Set - Right	1
30	AA00 2246	Decal - Caution	1
31	AA00 2251	Paper Size Decal - LT	1
31	AA00 2252	Paper Size Decal - A4	1
32	B301 4351	Caution Decal	1
33	G029 1982	Decal - LD	1

Index No.	Part No.	Description	Q'ty Per Assembly
34	AA00 2096	Decal - Size Indication (A292/A293)	1
34	B070 1308	Decal: Size Indication: Paper Tray (B098)	1
35	A293 7207	Copy Instruction Guide - LT English (RIC) (A292/A293)	1
35	A293 7208	Copy Instruction Guide - A4 English (RIC) (A292/A293)	1
35	A293 7260	Copy Instruction Guide - A4 English (INF) (A292/A293)	1
35	A293 7290	Copy Instruction Guide - A4 English (NRG) (A292/A293)	1
35	A293 7297	Copy Instruction Guide - LT English (SVN/GES)(A292/A293)	1
35	B098 7207	Operating Instructions: Copy: English (B098)	1
36	A293 7307	Quick Guide - LT English (RIC/SVN/GES)	1
36	A293 7308	Quick Guide - A4 English (RIC)	1
36	A293 7390	Quick Guide - A4 English (NRG/INF)	1
37	A293 8607	System Instructions - LT English (RIC) (A292/A293)	1
37	A293 8608	System Instructions - A4 English (RIC) (A292/A293)	1
37	A293 8660	System Instructions - A4 English (INF) (A292/A293)	1
37	A293 8690	System Instructions - A4 English (NRG) (A292/A293)	1
37	A293 8697	System Instructions - LT English (SVN/GES) (A292/A293)	1
37	B098 8607	Operating Instructions: SYS: English (B098)	1
38	B098 4166	Decal: Misfeed Removal: D/e:Multi (B098)	1
39	B098 3241	Decal:Toner Supply: English (B098)	1
40	A292 9870	Aficio 551/700 Parts Catalog (RIC)	1
41	A292 9850	Aficio 551/700 Service Manual English(RIC)	1
42	B098 9870	Aficio 551/700/1055 Parts Catalog (RIC)	1

72.SPECIAL TOOLS (A292/A293)

<p>1</p> 	<p>2</p> 	<p>3</p> 	<p>4</p> 
<p>5</p> 	<p>6</p> 		

72.SPECIAL TOOLS (A292/A293)

Index No.	Part No.	Description	Q'ty Per Assembly
1	A006 9104	Adjusting Scanner Pin (4pcs/set)	1
2	A029 9387	Digital Multimeter - Fluke87	1
3	N803 1000	Case - Flash Memory Card	1
4	N803 6701	Flash Memory Card-4Mb	1
5	A229 8521	Operating Instructions Holder - A5	1
6	A292 9500	Test Chart - S5S (10 Pcs/set) (RIC)	1
6	5420 9516	Test Chart - OS - A3 (10psc/set)(OEM)	1

Index No.	Part No.	Description	Q'ty Per Assembly

A292/A293/B098
PARTS INDEX

This section instructs you as to the numbers and names of parts on this machine.

PM Parts Index

Section Name	Part No.	Description in Service Manual	Description in Parts Catalog	Q'ty Per Assembly	Page and Index No.
EXTERIOR 2 AA01 0108		Ozone Filter Ozone Filter (A292/A293)	1 17- 7		
	AA01 0116	Ozone Filter	Ozone Filter: Rear (B098)	1	17- 7
	A229 1262	Optics Dust Filter	Optics Dust Filter (A292/A293)	1	17- 19
	B098 1262	Optics Dust Filter	Filter: Ass'y (B098)	1	17- 19
	A293 1098	Filter: Vacuum	Vacuum Filter	1	17- 24
ORIGINAL FEED SECTION 2	A806 1295	Feed Belt	Feed Belt	1	25- 10
	A806 1321	Pickup Roller	Pickup Roller	1	25- 23
	A859 2241	Separation Roller	Reverse Roller	1	25- 26
ORIGINAL TRANSFER SECTION	B301 1441	Transport Belt	Transport Belt	1	29- 1
PAPER FEED SECTION 2	AF03 0040	Pick-up Roller	Pick-up Roller	3	65- 4
	AF03 1040	Feed Roller	Feed Roller	3	65- 5
PAPER FEED SECTION 3	AF03 2040	Separation Roller	Separation Roller	3	67- 3
PAPER RESISTRATION 1	AF03 0041	Pick-up Roller	Pick-up Roller - Bypass Feed	1	71- 14
	AF03 1041	Feed Roller	Feed Roller - Bypass Feed	1	71- 16
PAPER RESISTRATION 2	AF03 2041	Separation Roller	Separation Roller - Bypass Feed	1	73- 5
TONER HOPPER UNIT	AA01 2104	Air Filter - Large	Air Filter - Large	1	79- 3
	AA01 2105	Air Filter - Small	Air Dust Filter - Small	1	79- 16
DEVELOPMENT UNIT 1	AA01 2060	Development Filter	Development Filter	1	81- 7
PCU 1 (A292/A293/B098)	A096 2063	Corona Wire Cleaner	Corona Wire Cleaner	1	85- 7
	AD02 0053	Charge Corona Wire	Charge Corona Wire (A292/A293)	1	85- 12
	AD02 7022	Charge Corona Wire	Wire:Charge Corona (B098)	1	85- 12
	A096 2057	Charge Corona Grid	Charge Corona Grid	1	85- 18
PCU 3 (A292/A293/B098)	AD04 1056	Cleaning Blade	Cleaning Blade	1	89- 1
	AD04 2039	Cleaning Brush	Cleaning Brush	1	89- 9
TRANSFER SECTION 1	A293 3899	Transfer Belt	Transfer Belt - Mojito Service	1	93- 5
TRANSFER SECTION 2	A293 3918	Cleaning Roller Cleaning Blade	Transfer Belt Blade	1	95- 11
FUSING UNIT 1 (A292/A293/B098)	AE03 1024	Bushing	Bushing - M4x7	2	97- 8
	AE04 2036	Cleaning Roller	Cleaning Roller: Pressure Roller: Ass (120V)(A292/A293)(B098)	1	97- 9
	AE04 2046	Cleaning Roller	Cleaning Roller - Pressure Roller (230V)(B098)	1	97- 9
FUSING UNIT 1 (A292/A293/B098)	AE04 2035	Oil Supply Cleaning Roller	Oil Supply Cleaning Roller (120V)(A292/A293)(B098)	1	97- 14
	AE04 2045	Oil Supply Cleaning Roller	Oil Supply Cleaning Roller (230V)(B098)	1	97- 14

Section Name	Part No.	Description in Service Manual	Description in Parts Catalog	Q'ty Per Assembly	Page and Index No.
FUSING UNIT 2 (A292/A293/B098)	AE04 0016	Oil Supply Roller	Oil Supply Roller (A292/A293)	1	97- 16
	AE04 0051	Oil Supply Roller	Oil Supply Roller (B098)	1	97- 16
FUSING UNIT 3 (A292/A293/B098)	AE04 4019	Hot Roller Stripper	Hot Roller Stripper (A292/A293)	5	99- 17
	AE04 4043	Hot Roller Stripper	Hot Roller Stripper (B098)	5	99- 17
FRAME SECTION 2 (A292/A293/B098)	AE03 0017	Hot Roller Bearings	Ball Bearing - 35x50x10	2	101- 9
	AE03 0018	Pressure Roller Bearings	Ball Bearing - 12x28x8	2	101- 15
	AE02 2078	Pressure Roller	Pressure Roller	1	101- 22
	AE01 1044	Hot Roller	Hot Roller (A292/A293)	1	101- 23
	AE01 1073	Hot Roller	Hot Roller:Mm50 (B098)	1	101- 23
	A293 1104	Ozone Filter: PCU	Ozone Filter (A292/A293)	1	139- 11
	B098 1104	Ozone Filter: PCU	Ozone Filter (B098)	1	139- 11

Parts Index

Part No.	Description	Page and Index No.
A292 1273	Front Door (A292 RIC)	15 - 8
A292 1278	Front Door (A292 INF)	15 - 8
A292 7010	Model Name Plate - SVN 2055DP (A292)	15 - 23
A292 7012	Model Name Plate - GES 3355 (A292)	15 - 23
A292 7014	Model Name Plate - NSA D555 (A292)	15 - 23
A292 7016	Model Name Plate - REX 2955 (A292)	15 - 23
A292 7018	Model Name Plate - LAN 5455 (A292)	15 - 23
A292 9500	Test Chart - S5S (10 Pcs/set) (RIC)	185 - 6
A292 9850	Aficio 551/700 Service Manual English(RIC)	183 - 41
A292 9870	Aficio 551/700 Parts Catalog (RIC)	183 - 40

Part No.	Description	Page and Index No.
A001 2582	Spacer - 8x10x1.6mm	119 - 24
A006 9104	Adjusting Scanner Pin (4pcs/set)	185 - 1
A007 3751	Large Cap - Toner Collection Tank	17 - 12
A010 5700	Sensor	57 - 32
A017 2988	Ring	123 - 23
A028 7878	Arm Spacer	29 - 17
A029 2858	Release Lever	69 - 5
A029 2984	Decal - Grip	183 - 2
A029 2984	Decal - Grip	69 - 3
A029 9387	Digital Multimeter - Fluke87	185 - 2
A048 2274	Front Transport Guide	91 - 22
A048 2277	Rear Transport Guide	91 - 25
A048 2838	Nylon Rivet	59 - 25
A048 2838	Nylon Rivet	61 - 7
A048 2838	Nylon Rivet	113 - 18
A048 2838	Nylon Rivet	115 - 7
A053 2770	Holder - Manual Feed Table	51 - 5
A053 2773	Holder - Manual Feed Table (A292/A293)	51 - 17
A053 2916	Friction Pad - B	73 - 13
A060 2512	Registration Roller Knob	15 - 18
A069 1883	Shoe - Scanner	45 - 7
A077 4162	Shoulder Screw - M3	115 - 11
A077 4162	Shoulder Screw - M3	117 - 16
A096 1077	Right Fixing Plate	137 - 14
A096 1094	Grip Base	137 - 12
A096 1095	Front Grip Bracket	137 - 10
A096 1096	Rear Grip Bracket	137 - 11
A096 1115	Tightener	121 - 17
A096 1123	Belt Drive Bracket	121 - 30
A096 1165	Fusing Drive Bracket	119 - 13
A096 1173	Fusing Drive Joint	119 - 16
A096 1355	Hinge Shaft	135 - 23
A096 1677	Right Rail - Drum Unit (A292/A293)	137 - 6
A096 1679	Development Grounding Plate	137 - 9
A096 1873	Scanner Shoe Pin	45 - 4

Part No.	Description	Page and Index No.
A096 2051	Rear Grid Anchor	85 - 17
A096 2052	Front Grid Anchor	85 - 19
A096 2053	Cleaner Motor Cover	85 - 3
A096 2057	Charge Corona Grid	85 - 18
A096 2062	Wire Cleaner Slider	85 - 5
A096 2063	Corona Wire Cleaner	85 - 7
A096 2065	Slider Ring	85 - 8
A096 2083	Middle Duct (A292/A293)	123 - 1
A096 2266	Corona Unit Bracket	87 - 7
A096 2281	Connector Bracket	87 - 6
A096 2301	Grounding Plate	87 - 10
A096 2316	Drum Pulley - 125Z (A292/A293)	121 - 2
A096 2330	Drum Shaft Knob	85 - 1
A096 2593	Front Support Plate	75 - 2
A096 2597	Front Connector Bracket	71 - 1
A096 2607	Paper Dust Cleaner (A292/A293)	71 - 5
A096 2612	Lower Registration Guide (A292/A293)	71 - 8
A096 2622	Front Lower Registration Guide (A292/A293)	71 - 10
A096 2626	Front Upper Resistration Guide (A292/A293)	71 - 9
A096 2633	Front Lock (A292/A293)	75 - 5
A096 2661	Paper Bank Relay Guide (A292/A293)	73 - 20
A096 2672	Duplex Exit Guide (A292/A293)	75 - 13
A096 2682	Separation Roller Bracket	73 - 16
A096 2687	Upper Feed Stay	71 - 11
A096 2690	Pick-up Roller Arm	71 - 18
A096 2692	Pick-up Solenoid - By-pass	71 - 23
A096 2697	Paper End Feeler	71 - 20
A096 2700	Paper End Shutter	71 - 24
A096 2703	Lower Guide - By-pass (A292/A293)	73 - 11
A096 2704	Guide Holder	73 - 12
A096 2706	By-pass Feed Cover (A292/A293)	51 - 4
A096 2707	Upper Guide - By-pass (A292/A293)	51 - 1
A096 2780	Feed Guide Gear (A292/A293)	51 - 13
A096 2782	Size Switch Bracket	51 - 14
A096 3059	Toner Sensor Guide	81 - 12

Part No.	Description	Page and Index No.
A096 3104	Development Guide Rail	81 - 5
A096 3141	Development Filter Case	81 - 3
A096 3175	Bushing 8x14x8	79 - 7
A096 3176	Bushing - 6x12x8.5	79 - 4
A096 3181	Slitter	79 - 14
A096 3224	Bottle Roller (A292/A293)	77 - 15
A096 3404	Lower Hinge	77 - 31
A096 3586	Cleaning Brush Drive Shaft	89 - 7
A096 3588	Gear - 19Z	89 - 19
A096 3621	Entrance Seal	91 - 11
A096 3624	Drum Grounding Plate	91 - 15
A096 3642	Pick-off Pawl Bracket	91 - 12
A096 3646	Pick-off Pawl Shaft	91 - 14
A096 3661	Gear - 15/35Z	89 - 24
A096 3666	Harness Cover	91 - 1
A096 3697	Ratch	123 - 8
A096 3710	Collection Tank Guide (A292/A293)	69 - 19
A096 3711	Collection Tank Holder	17 - 14
A096 3712	Ratch	17 - 15
A096 3722	Toner Collection Bracket	125 - 9
A096 3729	Toner Collection Joint (A292/A293)	125 - 5
A096 3736	Steel Ball - M11	125 - 6
A096 3742	Sensor Bracket	125 - 15
A096 3752	Shutter Plate	125 - 13
A096 3763	Push Switch Bracket	125 - 10
A096 3864	Transfer Belt Terminal	93 - 19
A096 3865	Terminal Cover	93 - 21
A096 3867	Front Bushing - 4.5x6x21	93 - 11
A096 3868	Rear Bushing - 4.5x6x13.5	93 - 18
A096 3870	Transfer Bias Roller	93 - 14
A096 3915	Transfer Belt Lever	95 - 23
A096 3916	Belt Lever Arm	95 - 27
A096 3922	Soleniod Bracket	95 - 26
A096 3929	Gear Cover (A292/A293)	95 - 16
A096 3956	Heater Cover	139 - 24

Part No.	Description	Page and Index No.
A096 3959	Release Arm	139 - 20
A096 3966	Belt Unit Support Plate	93 - 23
A096 4101	Front Fusing Bracket (A292/A293)	101 - 19
A096 4121	Fusing Unit Rail (A292/A293)	101 - 3
A096 4161	Lower Fusing Cover (A292/A293)	97 - 5
A096 4174	Front Pressure Lever	101 - 16
A096 4176	Rear Pressure Lever	101 - 31
A096 4181	Front Release Bracket	101 - 18
A096 4185	Rear Release Bracket	101 - 32
A096 4231	Fusing Connector Bracket	101 - 25
A096 4249	Fusing Unit Rail (A292/A293)	139 - 10
A096 4273	Fusing Unit Stopper	97 - 17
A096 4303	Fusing Exit Grip (A292/A293)	99 - 7
A096 4304	Grip Spring Plate (A292/A293)	99 - 3
A096 4313	Stripper Stay (A292/A293)	99 - 14
A096 4316	Stripper Release Slider (A292/A293)	99 - 11
A096 4319	Exit Roller Holder (A292/A293)	99 - 15
A096 4322	Upper Fusing Exit Guide (A292/A293)	99 - 18
A096 4591	Right Duplex Rail	137 - 5
A096 4595	Duplex Guide (A292/A293)	107 - 2
A096 4882	Release Bracket	109 - 13
A096 4928	Guide Plate Band	103 - 19
A096 4933	Guide Plate Lever Hook (A292/A293)	103 - 26
A096 5200	Registration Sensor Board	71 - 33
A096 5320	Quenching Lamp	87 - 9
A096 5330	Toner Collection Motor - 12W	125 - 8
A096 5335	Paper Size Switch	51 - 15
A096 5414	Toner Collection Harness	125 - 16
A096 5415	Tray Set Harness	127 - 22
A096 5416	Paper Size Harness	125 - 31
A096 5416	Paper Size Harness	127 - 9
A096 5432	Duplex Relay Harness	75 - 19
A096 5442	Corona Cleaner Harness	87 - 5
A096 5528	Micro Switch Sheet	69 - 15
A096 5529	Micro Switch Bracket	69 - 16

Part No.	Description	Page and Index No.
A096 6075	Lower Rear Fixing Plate	141 - 29
A096 6076	Upper Rear Fixing Plate	141 - 30
A096 6077	Upper Front Fixing Plate	141 - 24
A096 6078	Right Front Frame	141 - 22
A096 6079	Right Rear Frame Joint	141 - 21
A096 6080	Left Frame Joint	141 - 23
A096 6081	Collection Bottle Stopper	141 - 20
A096 6100	Lower Heat Sink (A292/A293)	141 - 19
A096 6158	Paper Tray Stopper	127 - 20
A096 6164	Push Switch Bracket	127 - 24
A096 6177	Paper Size Bracket (A292/A293)	125 - 30
A096 6177	Paper Size Bracket	127 - 8
A096 6184	Bank Inner Cover	15 - 12
A096 6186	Lower Tightner - P/B	125 - 28
A096 6246	Left Rail Bracket	141 - 2
A096 6247	Lock Arm - Tandem Tray	141 - 3
A096 6250	Right Rail (A292/A293)	141 - 16
A096 6261	Left Rail (A292/A293)	141 - 5
A096 6266	Tray Lock Arm	141 - 6
A096 6344	Paper End Actuator	65 - 3
A096 6360	Paper Flattener	63 - 2
A096 6363	Front Paper Flattener	63 - 1
A096 6402	Pressure Plate Driven Roller	69 - 14
A096 6411	Release Lever Bracket (A292/A293)	69 - 4
A096 6413	Release Lever Cover (A292/A293)	69 - 2
A096 6524	Lift Shaft	59 - 17
A096 6524	Lift Shaft	61 - 15
A096 6526	Lift Lever	61 - 16
A096 6526	Lift Lever	59 - 16
A096 6527	Paper Guide Feeler (A292/A293)	61 - 14
A096 6527	Paper Guide Feeler (A292/A293)	59 - 18
A096 6536	Side Fence Cover (A292/A293)	59 - 32
A096 6537	Stopper Lever (A292/A293)	59 - 5
A096 6551	Position Plate - Side Fence (A292/A293)	61 - 13
A096 6553	Side Fence Pad	59 - 29

Part No.	Description	Page and Index No.
A096 6554	Side Fence Pad	61 - 4
A096 6556	Tray Bottom Plate (A292/A293)	61 - 8
A096 6562	End Fence (A292/A293)	59 - 7
A096 6563	End Fence Cover (A292/A293)	59 - 4
A096 6564	End Fence Plate (A292/A293)	59 - 8
A096 6568	Position Plate - End Fence (A292/A293)	61 - 5
A096 6677	Decal - Right Paper Set	183 - 3
A096 6677	Decal - Right Paper Set	55 - 9
A096 6678	Decal - Left Paper Set	183 - 4
A096 6678	Decal - Left Paper Set	53 - 11
A096 6693	Paper Guide Sheet (A292/A293)	141 - 25
A097 3644	Transport Guide Bracket	91 - 24
A097 4112	Fusing Right Stay	101 - 21
A097 4122	Cleaning Roller Bracket	97 - 6
A097 4133	Lock Lever	101 - 14
A097 4170	Front Heater Holder	101 - 8
A097 4173	Rear Heater Holder	101 - 27
A097 5550	Fan Motor Bracket	139 - 26
A097 5551	Fan Motor Duct	139 - 28
A097 5552	Fan Plate	139 - 27
A134 1135	Fly Wheel (A292/A293)	119 - 4
A134 1383	Emblem (RIC)(A292/A293)	15 - 11
A134 1698	Idle Pulley	47 - 9
A134 1722	Bracket - Drive Shaft	47 - 18
A134 2363	Terminal Plate	85 - 20
A134 2860	Pick-up Arm	65 - 8
A134 3179	Chuck Shaft	77 - 23
A134 3216	Screw	77 - 20
A134 5251	ID Sensor	91 - 13
A134 5291	Jogger Drive Motor DC 6.48W	109 - 21
A153 3571	Collar	87 - 12
A153 6409	Decal - Keypop Cover (GES)(A292/A293)	19 - 30
A176 2054	Grounding Plate	85 - 26
A176 2061	Screw Shaft	85 - 6
A176 2761	Front Sub Guide (A292/A293)	51 - 7

Part No.	Description	Page and Index No.
A176 2771	Rear Sub Guide (A292/A293)	51 - 10
A176 3527	Grounding Plate	89 - 12
A176 3863	Spacer - 4x6x2	93 - 12
A176 4105	Rear Fusing Bracket (A292/A293)	101 - 30
A176 6110	Harness Cover	141 - 26
A176 6181	Front Side Plate - P/B (A292/A293)	141 - 14
A176 6515	Paper Tray - A3 (A292/A293)	61 - 12
A176 6549	Front Side Fence Ass'y (A292/A293)	61 - 3
A176 6550	Rear Side Fence Ass'y (A292/A293)	61 - 10
A176 6570	Paper Stopper (A292/A293)	59 - 30
A176 6695	Misfeed Removal Guide	61 - 18
A176 6695	Misfeed Removal Guide (A292/A293)	59 - 20
A176 6695	Misfeed Removal Guide	55 - 11
A217 2103	Cylindrical Lens Plate	49 - 14
A222 2724	External Circlip - MM8	77 - 30
A229 1026	Stepper Motor Ass'y - DC14.1W	119 - 5
A229 1072	Upper Middle Stay (A292/A293)	49 - 26
A229 1075	Base Cover (A292/A293)	137 - 3
A229 1078	Left Fixing Plate	137 - 20
A229 1091	Right Adjusting Pin	137 - 16
A229 1092	Left Adjusting Pin	137 - 22
A229 1094	Positioning Plate	135 - 30
A229 1098	Left Drum Rail	137 - 23
A229 1106	Duct Shield Guide	139 - 6
A229 1116	Exit Cooling Fan - DC24V 5.8W (A292/A293)	139 - 33
A229 1120	Main Motor Bracket	121 - 25
A229 1122	Motor Bracket	119 - 19
A229 1130	Cleaning Tightener Ass'y	121 - 23
A229 1133	Stepper Motor Base Ass'y	119 - 9
A229 1135	Ring - 55	119 - 12
A229 1136	Fusing Drive Shaft	119 - 14
A229 1139	Tightener	119 - 17
A229 1141	Drum Drive Shaft (A292/A293)	121 - 7
A229 1185	Development Unit Rail Bracket (A292/A293)	137 - 7
A229 1186	Development Guide Rail (A292/A293)	137 - 8

Part No.	Description	Page and Index No.
A229 1192	Rivet - 4mm	129 - 28
A229 1195	Cooling Fan Motor - DC24V 9.6W	139 - 29
A229 1257	Door Grip Ass'y (A292/A293)	15 - 7
A229 1259	Lower Hinge (A292/A293)	15 - 10
A229 1260	Upper Right Cover (A292/A293)	17 - 18
A229 1262	Optics Dust Filter (A292/A293)	17 - 19
A229 1275	Guide Plate Lever	15 - 3
A229 1304	Large Capacity Tray Cover (A292/A293)	17 - 16
A229 1309	Rear Lower Cover (A292/A293)	17 - 20
A229 1311	Upper Right Cover (A292/A293)	17 - 30
A229 1320	Right Lower Inner Cover (A292/A293)	15 - 16
A229 1321	Safety Switch Inner Cover (A292/A293)	15 - 4
A229 1331	Key Counter Cap (A292/A293)	17 - 31
A229 1332	Coupling Cap (A292/A293)	17 - 17
A229 1341	Upper Hinge Guide Plate	135 - 25
A229 1342	Upper Hinge (A292/A293)	15 - 5
A229 1344	Hinge Guide Plate - Right Lower	69 - 24
A229 1351	Left Holder	135 - 8
A229 1355	Micro Switch Lever	15 - 9
A229 1360	Decal - Main Switch (120V A292/A293)	17 - 3
A229 1360	Decal - Main Switch (120V)	183 - 5
A229 1361	Decal - Main Switch (230V A292/A293)	17 - 3
A229 1361	Decal - Main Switch (230V)	183 - 5
A229 1393	Exit Tray Holder (A292/A293)	21 - 16
A229 1394	Exit Tray (A292/A293)	21 - 18
A229 1395	Mylar - Large	21 - 17
A229 1396	Mylar - Small	21 - 20
A229 1425	Touch Panel Ass'y	19 - 21
A229 1433	LCDC Cover	19 - 27
A229 1451	Keytop - 10key (A292/A293)	19 - 11
A229 1452	Keytop - Start (A292/A293)	19 - 13
A229 1453	Keytop - Clear/Stop (A292/A293)	19 - 12
A229 1455	Keytop - Program (A292/A293)	19 - 10
A229 1456	Keytop - Interrupt (A292/A293)	19 - 8
A229 1457	Keytop - Check (A292/A293)	19 - 7

Part No.	Description	Page and Index No.
A229 1458	Keytop - Tool (A292/A293)	19 - 24
A229 1459	Keytop - Power Source	19 - 6
A229 1460	Dial - Contrast	19 - 25
A229 1464	Ground Plate - 10key	19 - 14
A229 1465	LED Guide	19 - 5
A229 1466	Guidance Sheet (A292/A293)	19 - 3
A229 1467	Application Sheet	19 - 23
A229 1468	10key Sheet	19 - 16
A229 1472	Support Plate - Operation Panel	19 - 29
A229 1475	Key-top - Standby (A292/A293)	19 - 9
A229 1694	Shielding Sheet	43 - 24
A229 1750	Ground Plate - Rear	49 - 30
A229 1751	Ground Plate - Right Long	49 - 32
A229 1752	Ground Plate - Right Short	49 - 11
A229 1753	Ground Plate - Left Long	49 - 28
A229 1754	Ground Plate - Left Short	49 - 29
A229 1785	Right Stay (A292/A293)	41 - 13
A229 1815	Key Counter Bracket - Front	47 - 10
A229 1825	Home Position Sensor Bracket	41 - 19
A229 1831	Fan Bracket (A292/A293)	41 - 15
A229 1832	Front Grounding Plate	41 - 21
A229 1833	Grounding Plate	47 - 7
A229 1903	Mirror Plate - No.1	49 - 6
A229 1907	Mirror Plate - No.3	49 - 12
A229 1916	Cylindrical Lens	49 - 15
A229 1919	Sync Detector Board Plate	49 - 21
A229 1923	Lower Cover	49 - 25
A229 1925	BTL Lens Ass'y	49 - 24
A229 1934	Shield - Shield Glass	49 - 18
A229 1936	Side Spring Plate	49 - 9
A229 1958	Harness Guide	49 - 17
A229 1960	Shield 1	49 - 1
A229 1961	Shield 2	49 - 2
A229 1962	Seal - 6x364	49 - 3
A229 1963	Shield 4	49 - 4

Part No.	Description	Page and Index No.
A229 2352	Grounding Plate (A292/A293)	91 - 8
A229 2401	Connector Bracket	87 - 11
A229 2600	Front Side Plate (A292/A293)	73 - 1
A229 2619	Sensor Board Guide	71 - 4
A229 2647	Middle Guide Plate (A292/A293)	75 - 10
A229 2651	Guide Plate Ass'y (A292/A293)	75 - 17
A229 2655	Read Rock (A292/A293)	75 - 8
A229 2692	Damping Insulation (A292/A293)	73 - 10
A229 2701	By-pass Feed Table Guide (A292/A293)	51 - 19
A229 2708	By-pass Feed Table Ass'y (A292/A293)	51 - 20
A229 2711	By-pass Feed Table (A292/A293)	51 - 12
A229 2715	Paper End Sensor Bracket	71 - 25
A229 2717	Lock Lever	75 - 4
A229 2719	Sensor Bracket	75 - 20
A229 2721	By-pass Feed Cover (A292/A293)	51 - 18
A229 2745	By-pass Feed Table Stay	51 - 21
A229 2750	Sensor Bracket	73 - 18
A229 2760	By-pass Feed Table Shaft	51 - 6
A229 2866	Front Side Fence (A292/A293)	51 - 8
A229 2868	Rear Side Fence (A292/A293)	51 - 11
A229 2870	Seal - 0.2x16x47	51 - 9
A229 3055	Front Drum Seal	83 - 4
A229 3056	Rear Drum Seal	83 - 5
A229 3091	Entrance Seal	81 - 4
A229 3183	Filter Middle Holder (A292/A293)	79 - 2
A229 3184	Filter Front Holder (A292/A293)	79 - 17
A229 3219	Rubber Bushing - Toner Supply Unit	77 - 13
A229 3232	Chuck Roller	77 - 22
A229 3240	DC Motor	77 - 4
A229 3242	Toner Bottle Joint Gear	77 - 35
A229 3243	Motor Joint Gear	77 - 34
A229 3248	Toner Bottle Bracket	77 - 2
A229 3251	Turn Bracket	77 - 6
A229 3258	Toner Catchpan	77 - 32
A229 3261	Outer Shutter	77 - 8

Part No.	Description	Page and Index No.
A229 3262	Inner Shutter	77 - 9
A229 3263	Outer Shutter Shield	77 - 7
A229 3264	Shutter Lever (A292/A293)	77 - 11
A229 3266	Upper Shutter Shield	77 - 10
A229 3271	Hinge Bracket	77 - 29
A229 3285	Shutter Cover	77 - 12
A229 3291	Right Inner Cover	15 - 19
A229 3305	Contact Point Stay	77 - 28
A229 3322	Toner Bottle Supporter	135 - 7
A229 3551	Toner Recycling Pump (A292/A293)	123 - 7
A229 3553	Toner Recycling Joint	137 - 13
A229 3554	Toner Outlet Unit (A292/A293)	123 - 9
A229 3555	Toner Recycling Tube	123 - 6
A229 3564	Air Tube	125 - 20
A229 3572	Right Bracket	123 - 13
A229 3584	Drive Sub-unit - Toner Recycling	123 - 26
A229 3585	Bracket - Toner Recycling Drive	123 - 28
A229 3586	Tightener	123 - 22
A229 3639	Left Bracket	123 - 17
A229 3641	Agitator Ass'y	123 - 14
A229 3853	Transfer Belt Frame	93 - 17
A229 3859	Front Spring Plate	93 - 15
A229 3861	Front Arm	93 - 3
A229 3862	Rear Arm	93 - 7
A229 3865	Transport Driven Roller	93 - 22
A229 3875	Drive Electrode	93 - 4
A229 3876	Driven Electrode	93 - 16
A229 3880	Drive Roller	93 - 6
A229 3909	Bias Terminal	95 - 18
A229 3910	Front Bushing	95 - 17
A229 3911	Rear Bushing	95 - 30
A229 3913	Agitator	95 - 4
A229 3915	Front Agitator Shield	95 - 1
A229 3917	Electrode Cover	95 - 19
A229 3918	Rear Agitator Shield	95 - 22

Part No.	Description	Page and Index No.
A229 3924	Transfer Belt Casing	95 - 12
A229 4085	Oil Supply Unit (A292/A293 120V)	97 - 1
A229 4090	Lower Cleaning Roller Unit (A292/A293 120V)	97 - 18
A229 4171	Left Holder (A292/A293 230V)(B098)	97 - 10
A229 4175	Right Holder (A292/A293 230V)(B098)	97 - 7
A229 4301	Fusing Exit Frame (A292/A293)	99 - 1
A229 4453	Exit Front Side Plate (A292/A293)	117 - 5
A229 4458	Exit Guide Plate (A292/A293)	113 - 10
A229 4460	Exit Roller Bracket (A292/A293)	113 - 6
A229 4464	Right Exit Stay	117 - 12
A229 4467	Pressure Arm	117 - 9
A229 4468	Guide Plate Lever	117 - 11
A229 4469	DC Solenoid	115 - 2
A229 4472	Exit Upper Guide Plate	115 - 17
A229 4474	Exit Lower Guide Plate	117 - 15
A229 4475	Exit Gate Pawl (A292/A293)	115 - 12
A229 4476	Middle Guide Plate (A292/A293)	115 - 10
A229 4477	Reverse Guide Plate	115 - 21
A229 4478	Right Inverter Guide	115 - 18
A229 4481	Exit Holder - Roller Sub-Ass'y	115 - 19
A229 4484	Exit Drum Stay	113 - 17
A229 4487	Exit Tightener	117 - 1
A229 4487	Exit Tightener	109 - 23
A229 4490	Discharge Brush	113 - 11
A229 4492	Decal - Exit Guide	183 - 6
A229 4492	Decal - Exit Guide	115 - 15
A229 4602	Front Side Plate	105 - 30
A229 4603	Rear Side Plate - Reverse Ass'y	105 - 29
A229 4616	Photo Reflection Sensor Bracket	105 - 23
A229 4617	Duplex Discharge Brush	105 - 33
A229 4623	Lower Entrance Guide Plate	105 - 9
A229 4624	Duplex Driven Roller	105 - 12
A229 4627	Inverter Stay	105 - 31
A229 4628	Pressure Lever Cam	105 - 25
A229 4638	Reversal Driven Roller Lever	105 - 1

Part No.	Description	Page and Index No.
A229 4640	Reversal Bracket	105 - 20
A229 4643	Grip Stay	105 - 6
A229 4647	Reverse Unit Knob	105 - 7
A229 4655	Reverse Unit Cover	105 - 4
A229 4684	Front Jogger Side Fence (A292/A293)	103 - 9
A229 4685	Front Side Fence Rack	111 - 16
A229 4687	Rear Jogger Side Fence (A292/A293)	103 - 10
A229 4688	Rear Side Fence Rack	111 - 15
A229 4708	Stepper Motor Bracket	109 - 19
A229 4713	Reverse Guide Plate - Right Lower	103 - 11
A229 4715	Optics Sensor Right Bracket	103 - 13
A229 4716	Harness Plate Bracket	103 - 12
A229 4719	Lower Duplex Guide Plate	111 - 11
A229 4726	Lower Transport Guide Plate	103 - 16
A229 4727	Guide Plate Pressure Holder	103 - 21
A229 4728	Driven Roller Spring Plate	103 - 17
A229 4729	Guide Plate Lever	103 - 24
A229 4734	Decal - Guide Plate Lever	103 - 23
A229 4734	Decal - Guide Plate Lever	183 - 7
A229 4740	Drive Joint	107 - 18
A229 4755	Front Tightener	111 - 6
A229 4765	Duplex Gate Pawl	109 - 1
A229 4766	Damping Insulation	109 - 2
A229 4772	Gate Pawl Bracket	109 - 7
A229 4773	Gate Pawl Sound Proofing	109 - 8
A229 4793	DC Solenoid Lever	109 - 17
A229 4800	Exit Guide Plate (A292/A293)	109 - 22
A229 4802	Lock Lever	109 - 11
A229 4804	Lever Support Bracket	109 - 9
A229 4806	Release Lever (A292/A293)	109 - 15
A229 4807	Lower Harness Bracket	103 - 8
A229 4808	Upper Harness Bracket	103 - 7
A229 4812	Lock Arm	109 - 12
A229 4813	Arm Pad	109 - 28
A229 4820	Duplex Inner Cover (A292/A293)	103 - 2

Part No.	Description	Page and Index No.
A229 4821	Decal - Warning	103 - 3
A229 4821	Decal - Warning	183 - 8
A229 4830	Holder Bracket	137 - 4
A229 4835	Left Rail	137 - 1
A229 5016	Power Pack Ass'y	123 - 5
A229 5410	Transfer Unit Harness	95 - 24
A229 5412	Transfer Connecting Harness	139 - 22
A229 5429	Power Harness	43 - 15
A229 5442	Duplex Connecting Harness	103 - 15
A229 5483	Safety Switch Harness	133 - 18
A229 5496	Lower Harness	63 - 15
A229 5497	Upper Harness	63 - 14
A229 5505	Interface Ground Wire	131 - 18
A229 5506	Interface Harness	131 - 19
A229 5602	Circuit Breaker Harness	133 - 16
A229 5843	HDD Ground Plate	135 - 17
A229 5851	Right Fix Bracket	137 - 21
A229 5852	Left Fix Bracket	137 - 19
A229 5856	Main Switch Bracket (A292/A293)	135 - 9
A229 5857	Safety Switch Bracket	135 - 4
A229 5860	Upper Guide Plate Lever	135 - 6
A229 5861	Plug Bracket - ADF	131 - 16
A229 5865	Harness Guide	119 - 2
A229 5866	Slide Rail Guide	137 - 17
A229 5867	Plate Bracket	131 - 8
A229 5868	Safety Switch Lever	135 - 2
A229 5869	Safety Switch Damper	135 - 1
A229 5871	Total Counter Bracket	135 - 15
A229 5872	Harness Clamp	43 - 22
A229 5872	Harness Clamp	129 - 13
A229 5873	Paper Feed Control Board Bracket	133 - 11
A229 5874	Fix Bracket (A292/A293)	133 - 12
A229 5876	Bracket - Power Supply Cord (230V)	133 - 14
A229 5878	Left Fix Bracket	133 - 15
A229 5880	Circuit Braker Bracket - 120V	133 - 20

Part No.	Description	Page and Index No.
A229 5881	Circuit Braker Bracket - 230V	133 - 20
A229 5883	Bracket - Power Supply Cord (120V)	133 - 14
A229 5884	HDD Fix Bracket	139 - 31
A229 5886	Front Bracket	135 - 11
A229 5887	Upper Fix Bracket	133 - 4
A229 5888	Right Earth Bracket	135 - 22
A229 5891	Main Harness Guide (A292/A293)	119 - 3
A229 5899	Cord Holder (120V)	133 - 21
A229 6077	Rear Upper Growinding Plate	137 - 18
A229 6197	Drive Shaft - 1st Feed	127 - 11
A229 6199	Lower Drive Shaft	127 - 19
A229 6303	Reverse Stay (A292/A293)	67 - 15
A229 6306	Reverse Drive Shaft	67 - 10
A229 6307	Reverse Driven Shaft	67 - 6
A229 6309	Reverse Pressure Lever	67 - 14
A229 6315	Reverse DC Solenoid	67 - 17
A229 6330	Rear Side Plate (A292/A293)	67 - 12
A229 6335	Front Side Plate (A292/A293)	67 - 1
A229 6338	Reverse Guide Plate (A292/A293)	67 - 5
A229 6345	Paper End Sensor Bracket	63 - 6
A229 6346	Feed Stay (A292/A293)	65 - 1
A229 6353	Photo Refiection Sensor Bracket	63 - 4
A229 6355	Pick-up Solenoid Ass'y	63 - 8
A229 6358	Paper Sensor Bracket	63 - 7
A229 6362	Paper End Feeler	65 - 2
A229 6366	Magnetic Clutch Arm	63 - 11
A229 6370	Pape Guide Plate (A292/A293)	67 - 21
A229 6375	Paper Feed Unit Stay - Universal	63 - 16
A229 6376	Paper Feed Unit Stay - No.1 Ass'y	63 - 17
A229 6381	Paper Feed Unit Stay Ass'y	63 - 18
A229 6403	Front Side Plate (A292/A293)	69 - 1
A229 6404	Rear Side Plate	69 - 10
A229 6405	Guide Plate - Vertical Transport (A292/A293)	69 - 9
A229 6409	Pressure Stay	69 - 8
A229 6534	Front Side Fence	59 - 31

Part No.	Description	Page and Index No.
A229 6541	Gear Side Fence	59 - 27
A229 6544	Side Fence Plate - A4 (A292/A293)	59 - 26
A229 6545	Side Fence Plate - LT (A292/A293)	59 - 26
A229 6556	Tray Bottom Plate (A292/A293)	59 - 19
A229 6589	Paper Tray Front Cover (A292/A293)	61 - 2
A229 6589	Paper Tray Front Cover (A292/A293)	59 - 2
A229 6620	Tandem Tray Front Cover (A292/A293)	61 - 2
A229 7015	Model Name Plate -170x60	15 - 23
A229 7016	Support Cover (INF)(A292/A293)	15 - 11
A229 8521	Operating Instructions Holder - A5	185 - 5
A232 1381	Decal - Total Counter (A292/A293)	15 - 15
A232 1381	Decal - Total Counter	183 - 9
A232 3562	Ball Bearing - 6x12x4mm	25 - 35
A232 3562	Ball Bearing - 6x12x4mm	27 - 27
A232 3562	Ball Bearing - 6x12x4mm	29 - 22
A232 3562	Ball Bearing - 6x12x4mm	35 - 16
A232 3565	Ball Bearing - 6x10x3mm	25 - 36
A232 3565	Ball Bearing - 6x10x3mm	29 - 11
A232 3565	Ball Bearing - 6x10x3mm	35 - 42
A232 3565	Ball Bearing - 6x10x3mm	37 - 36
A232 3566	Ball Bearing - 8x16x5	27 - 28
A232 3566	Ball Bearing - 8x16x5	111 - 3
A232 3566	Ball Bearing - 8x16x5	35 - 34
A232 5350	IC - HG71C103FD	175 - 1
A232 5350	IC - HG71C103FD	165 - 1
A232 5355	IC - GATEX	145 - 1
A232 5355	IC - GATEX	149 - 1
A247 1318	Cap - 17 (A292/A293)	17 - 8
A247 2327	Terminal Development Bias	121 - 3
A247 2341	Electrode Plate - Drum Shaft	121 - 4
A247 2682	Drive Shaft - Separator	73 - 7
A247 2683	Reverse Roller Shaft	73 - 24
A247 2800	Ball Bearing - 8x12x5	71 - 29
A247 2900	Torque Limiter - 53mnm	25 - 27
A247 3074	Gear - 34Z	81 - 11

Part No.	Description	Page and Index No.
A247 3078	Upper Development Roller	83 - 1
A247 3079	Lower Development Roller	83 - 2
A247 3080	Adjusting Plate	83 - 16
A247 3081	Gear - 17Z	81 - 6
A247 3089	Ball Bearing - 9x17x5	83 - 3
A247 3123	Plate Nut - Slitter	79 - 13
A247 3571	Cleaning Seal	89 - 4
A247 3573	Bracket - Cleaning Blade	89 - 2
A247 3574	Rear Cleaning Seal	89 - 3
A247 3575	Blade Release Lever	89 - 26
A247 3656	Bracket - Speed Reduction Gear	89 - 25
A247 3855	Rear Spring Plate	93 - 20
A247 4131	Upper Entrance Guide	97 - 11
A247 4141	Oil Supply Roller Bracket	97 - 19
A247 4155	Rail Cover	97 - 2
A247 4225	Thermofuse 172BC (A292/A293)	101 - 1
A247 4249	Connector - 3P	101 - 29
A247 5428	DC Harness - Left	53 - 34
A247 5429	DC Harness - Right	57 - 29
A247 6165	Paper Support Plate	127 - 12
A248 6102	Upper Heat Sink (A292/A293)	141 - 12
A248 6103	Guide Plate - Upper Heat Sink	141 - 13
A248 6167	DC Motor - 19.2W	127 - 1
A248 6168	Bracket - Lift Motor	127 - 2
A248 6186	Upper Tightener	125 - 37
A248 6241	Left Rail - Tandem LCT	141 - 1
A248 6515	Paper Tray - DLT (A292/A293)	61 - 12
A248 6615	Coupling Lever - Left	53 - 33
A248 6616	Bracket - Driven Pulley	53 - 23
A248 6618	Base - Left Tandem LCT (A292/A293)	53 - 36
A248 6619	Bracket - Drive Pulley	53 - 30
A248 6623	Slider - Left Back Fence	53 - 28
A248 6624	Left Back Fence	53 - 27
A248 6627	Timing Belt Cover	53 - 26
A248 6632	Bracket - Tandem LCT Cover (A292/A293)	53 - 5

Part No.	Description	Page and Index No.
A248 6636	DC Motor Bracket	53 - 19
A248 6639	Tray Bottom Plate - Left Middle	53 - 10
A248 6645	Side Plate - Left (A292/A293)	53 - 8
A248 6655	Right Base - Tandem LCT (A292/A293)	57 - 36
A248 6659	Right Stopper	55 - 1
A248 6666	Side Plate (A292/A293)	55 - 14
A248 6674	Side Plate - Front Right (A292/A293)	57 - 13
A248 6678	Side Plate - Right Rear (A292/A293)	57 - 26
A248 6682	Stay - Right Base	57 - 19
A248 6684	Pulley Drive Were Ass'y	57 - 5
A248 6687	Right Drive Shaft	57 - 28
A248 6694	Spaser Ring	57 - 35
A248 6695	Guide - Pulley	57 - 6
A248 6701	Oil Damper	57 - 1
A248 6703	Bracket - Oil Damper	57 - 2
A248 6706	Sensor Bracket	57 - 34
A248 6708	Bracket - Paper Volume Sensor	57 - 20
A248 6713	Hook - Tension Sprong	57 - 14
A248 6714	DC Solenoid - Front End Fence	57 - 12
A248 6717	Front Release Lever	57 - 10
A248 6720	Front Bracket - On/Off Detection	57 - 17
A248 6727	DC Solenoid - Rear End Fence	57 - 21
A248 6730	Rear Release Lever	57 - 27
A248 6733	Rear Bracket On/Off Detection	57 - 23
A248 6738	Side Fence - Right Rear (A292/A293)	55 - 10
A248 6741	Protection - Inner Cover	55 - 4
A248 6743	Connector Bracket	57 - 30
A248 6744	Inner Cover - Tandem LCT (A292/A293)	55 - 2
A248 6746	Lever - Large	57 - 31
A248 6750	DC Solenoid - Coupling	127 - 3
A248 6753	Lever - Small	57 - 25
A248 6757	Left Connector Bracket	125 - 34
A248 6758	DC Lock Solenoid	125 - 33
A248 6767	Right Connector Bracket	127 - 14
A248 6774	Slide Rail Bracket	141 - 11

Part No.	Description	Page and Index No.
A248 6775	Supporting Stay	141 - 8
A248 6792	Lock Arm - Tandem Tray	127 - 25
A248 6804	Tandem LCT Cover (A292/A293)	53 - 1
A249 6339	Feed Guide Plate (A292/A293)	65 - 12
A265 5154	CSS Board	129 - 7
A267 1820	Sheet - Photointerrupter	57 - 39
A267 1820	Sheet - Photointerrupter	63 - 24
A267 1820	Sheet - Photointerrupter	127 - 30
A293 1093	ADF Holder	49 - 27
A293 1095	Sirocco Fan - DC24V	131 - 4
A293 1097	Fan Motor - DC 8.5W	129 - 2
A293 1098	Vacuum Filter	17 - 24
A293 1104	Ozone Filter (A292/A293)	139 - 11
A293 1112	Upper Duct	139 - 4
A293 1113	Lower Duct	139 - 5
A293 1114	Ozone Filter Guide (A292/A293)	139 - 13
A293 1115	Drum Cooling Duct (A292/A293)	123 - 4
A293 1119	Vacuum Duct	131 - 6
A293 1120	Vacuum Fan Duct	131 - 2
A293 1123	Bracket - Vacuum Fan Duct	131 - 3
A293 1124	Bracket - Vacuum Fan Duct	131 - 22
A293 1125	Rear Duct	129 - 4
A293 1126	Belt Drive Shaft	121 - 29
A293 1131	Upper Exhaust Duct (A292/A293)	129 - 23
A293 1132	Lower Exhaust Duct (A292/A293)	129 - 26
A293 1133	Exhaust Duct Bracket	129 - 22
A293 1134	Rear Duct Bracket	129 - 5
A293 1135	Duct Spacer	129 - 27
A293 1138	Duplex Drive Shaft	119 - 25
A293 1145	Drum Shaft Stay	121 - 21
A293 1155	Duplex Drive Bracket	119 - 23
A293 1171	Seal - 224mm	15 - 21
A293 1172	Seal - 153mm	15 - 22
A293 1265	Upper Left Cover (A292/A293)	17 - 1
A293 1269	Lower Right Cover (A292/A293)	17 - 9

Part No.	Description	Page and Index No.
A293 1270	Lower Left Cover (A292/A293)	17 - 28
A293 1273	Front Door (A293 RIC)	15 - 8
A293 1276	Front Door (A292/A293 NRG)	15 - 8
A293 1278	Front Door (A293 INF)	15 - 8
A293 1285	Duct (A292/A293)	17 - 5
A293 1306	Rear Cover (A292/A293)	17 - 29
A293 1310	Upper Cover (A292/A293)	17 - 25
A293 1312	Front Door (A292/A293 SVN/LAN)	15 - 8
A293 1327	Operation Panel Upper Cover (A292/A293)	17 - 27
A293 1332	Duct Holder	17 - 6
A293 1334	Insulating Mayler (A292/A293)	17 - 36
A293 1335	Louver (A292/A293)	17 - 22
A293 1336	Spring Plate - Louver	17 - 23
A293 1349	Decal - Toner Supply (A292/A293)	15 - 1
A293 1349	Decal - Toner Supply	183 - 10
A293 1350	Decal - Misfeed Removal (A292/A293)	15 - 2
A293 1350	Decal - Misfeed Removal	183 - 11
A293 1359	Printer Controller Cover (A292/A293)	17 - 21
A293 1412	Operation Panel Ass'y - LT (A292/A293)	19 - 1
A293 1414	Operation Panel Ass'y - A4 (A292/A293)	19 - 1
A293 1431	Bracket - LCDC	19 - 19
A293 1441	Operation Panel Case - LT (A292/A293)	19 - 2
A293 1442	Operation Panel Case - A4 (A292/A293)	19 - 2
A293 1461	Application Cap (A292/A293)	19 - 4
A293 1462	10key Board	19 - 15
A293 1463	Application Board	19 - 22
A293 1468	LCD Ground Plate	19 - 28
A293 1477	Keytop - Copy - LT (A292/A293)	19 - 17
A293 1478	Keytop - Copy - A4 (A292/A293)	19 - 17
A293 1687	Lends Block Holder	41 - 12
A293 1691	Polygon Mirror Motor Cover	43 - 6
A293 1693	Seal - 60mm	43 - 7
A293 1694	Insulating Sheet	43 - 25
A293 1695	Laser Diode Unit Cover	43 - 2
A293 1705	DC Motor - 50W (A292/A293)	47 - 16

Part No.	Description	Page and Index No.
A293 1706	Bracket - Scanner Motor (A292/A293)	47 - 15
A293 1711	Drive Shaft	47 - 17
A293 1713	Hexagonal Screw 3x6	47 - 21
A293 1715	Scanner Drive Wire (A292/A293)	47 - 1
A293 1717	Timing Belt - S2M274	47 - 20
A293 1721	Front Tension Bracket	47 - 4
A293 1722	Rear Tension Bracket	47 - 11
A293 1731	1st Scanner Unit (A292/A293)	45 - 16
A293 1735	1st Mirror (A292/A293)	45 - 17
A293 1751	2nd Scanner Ass'y	45 - 8
A293 1753	Adjusting Pin - 2nd Scanner	45 - 11
A293 1765	2nd Mirror (A292/A293)	45 - 2
A293 1766	2nd Mirror Plate	45 - 1
A293 1767	2nd Mirror (A292/A293)	45 - 9
A293 1774	Spacer - Rear Scale	41 - 27
A293 1775	Left Scale Bracket (A292/A293)	41 - 4
A293 1793	Left Scale Sheet	41 - 3
A293 1797	Scanner Lens Unit (A292/A293)	41 - 11
A293 1819	BICU Cover (A292/A293)	41 - 10
A293 1825	Ground Plate - Lower Lens Stay	41 - 24
A293 1826	Width Sensor Bracket	41 - 9
A293 1828	CCD Fan Bracket	41 - 22
A293 1830	Flexible Board Guide	47 - 12
A293 1832	Connecting Guide	43 - 21
A293 1834	Insulating Sheet - FFC-SBU (A292/A293)	43 - 26
A293 1835	Insulating Sheet - FFC Ass'y (A292/A293)	43 - 27
A293 1838	Insulating Sheet - FFC Small	43 - 28
A293 1839	Key Counter Bracket	43 - 23
A293 1871	Optical Housing Ass'y (A292/A293)	49 - 35
A293 1907	2nd Mirror Plate	49 - 10
A293 2320	Lower Drum Unit (A292/A293)	89 - *
A293 2330	Lower Frame	91 - 2
A293 2380	Upper Drum Unit	87 - *
A293 2418	Upper Unit Cover	87 - 1
A293 2605	Rear Side Plate (A292/A293)	73 - 23

Part No.	Description	Page and Index No.
A293 2609	Connector Bracket	73 - 21
A293 2660	Guide Plate Solenoid (A292/A293)	75 - 23
A293 2666	Bracket - By-pass Feed Motor	119 - 27
A293 2708	Cap - By-pass Feed Cover (A292/A293)	51 - 3
A293 2845	DC Motor - 9W	119 - 10
A293 2900	Bushing - Feed Roller Clutch	71 - 27
A293 3050	Development Unit	81 - 14
A293 3075	Development Knob	81 - 2
A293 3150	Toner Supply Unit (A292/A293)	79 - 1
A293 3205	Toner Bottle Holder Ass'y	77 - 1
A293 3206	Toner Bottle Holder Ass'y	77 - 1
A293 3207	Toner Bottle Holder Ass'y	77 - 1
A293 3208	Toner Bottle Holder Ass'y (INF)	77 - 1
A293 3209	Toner Bottle Holder Ass'y (LAN)	77 - 1
A293 3215	Toner Supply Gear (NRG) (A292/A293)	77 - 16
A293 3217	Toner Bottle Gear (RIC LT) (A292/A293)	77 - 16
A293 3220	Toner Bottle Stopper	77 - 25
A293 3223	Toner Bottle Gear (RIC A4) (A292/A293)	77 - 16
A293 3227	Toner Slider	77 - 19
A293 3230	Toner Bottle Chuck	77 - 18
A293 3232	Toner Bottle Gear (INF/LAN) (A292/A293)	77 - 16
A293 3234	Shield Plate - Toner Bottle	77 - 17
A293 3237	Bottle Holder (LAN)	77 - 14
A293 3238	Decal:Toner Bottle (LAN)	77 - 37
A293 3282	Toner Bottle Pawl	77 - 26
A293 3309	Toner Bottle Cam	135 - 13
A293 3314	Inner Back Cam	135 - 12
A293 3596	Upper Entrance Stay	91 - 10
A293 3623	Pump Unit Bracket	125 - 22
A293 3624	Pump Unit - DC24V SUB-Ass'y	125 - 21
A293 3810	Transfer Unit (A292/A293)	93 - 1
A293 3851	Transfer Belt Frame	93 - 24
A293 3871	Gear - 20Z	93 - 10
A293 3899	Transfer Belt - Mojito Service	93 - 5
A293 3901	Toner Collection Coil	95 - 9

Part No.	Description	Page and Index No.
A293 3910	Transfer Belt Casing (A292/A293)	95 - *
A293 3911	Agitator Slider	95 - 7
A293 3912	Agitator Shaft	95 - 3
A293 3913	Heat Sink - Transfer Unit	95 - 8
A293 3914	Spring Plate - Casing	95 - 20
A293 3915	Front Holder	139 - 18
A293 3916	Cleaning Roller - Transfer Belt	95 - 5
A293 3918	Transfer Belt Blade	95 - 11
A293 3935	DC Solenoid - On-Off	95 - 21
A293 3940	Guide Plate - Transfer Belt	95 - 10
A293 3951	Transfer Unit Guide Plate	139 - 19
A293 3960	Belt Unit Knob	139 - 16
A293 4010	Fusing Unit (LAN)(TWN) (A292/A293)	97 - *
A293 4015	Fusing Unit (A292/A293 230V)	97 - *
A293 4018	Fusing Unit (A292/A293 230V Asia)	97 - *
A293 4032	Fusing Unit (KOREA)(A292/A293)	97 - *
A293 4050	Fusing Unit (A292/A293 120V)	97 - *
A293 4076	Long Fushing Knob	97 - 20
A293 4077	Decal - Rotation Direction Knob	183 - 12
A293 4077	Decal - Rotation Direction Knob	97 - 21
A293 4085	Oil Supply Unit (A292/A293 230V)	97 - 1
A293 4095	Lower Cleaning Roller Unit (A292/A293 230V)	97 - 18
A293 4115	Fusing Left Stay	101 - 6
A293 4131	Thermistor - Fusing Ass'y	101 - 2
A293 4135	Fusing Entrance Guide	101 - 20
A293 4141	Fusing Unit Harness (A292/A293 120V)	101 - 26
A293 4143	Fusing Unit Harness - 230V (A292/A293)	101 - 26
A293 4152	Fusing Cover - Large Grip	97 - 4
A293 4156	Decal - Confirm Paper	183 - 13
A293 4156	Decal - Confirm Paper (A292/A293)	97 - 3
A293 4161	Lower Fusing Cover (A292/A293 -15/-17)(B098)	97 - 5
A293 4165	Decal- Misfeed Removal D/E (A292/A293)	97 - 12
A293 4260	Fusing Lock Lever	139 - 1
A293 4309	Lower Fusing Exit Guide	99 - 20
A293 4316	Bracket - Fusinx Exit Sensor	99 - 21

Part No.	Description	Page and Index No.
A293 4451	Exit Rear Side Plate (A292/A293)	117 - 3
A293 4456	Reverse Guide Plate (A292/A293)	113 - 9
A293 4463	Exit Cover (A292/A293)	113 - 5
A293 4466	Pressure Shaft	117 - 10
A293 4469	Decura Driven Roller	117 - 17
A293 4501	Duplex Unit (A292/A293)	103 - 1
A293 4611	Reverse Gae Pawl	105 - 14
A293 4613	Front Gate Pawl	105 - 15
A293 4614	Rear Gate Pawl	105 - 17
A293 4615	Spacer	105 - 18
A293 4619	Upper Entrance Guide Plate	105 - 32
A293 4678	Support Bracket	107 - 11
A293 4679	Positioning Pin Bracket	107 - 15
A293 4705	Upper Transport Guide Plate (A292/A293)	111 - 17
A293 4717	Reverse Guide Plate - Left Lower	103 - 6
A293 4725	Sensor Bracket	111 - 19
A293 4782	DC Solenoid Ass'y	109 - 3
A293 4818	Connector Bracket	107 - 17
A293 5110	IC - EPM 7064SLC-10	175 - 7
A293 5120	I/O Board	145 - *
A293 5120	I/O Board (A292/A293)	129 - 14
A293 5140	Connector Board	129 - 18
A293 5150	Driver Board	129 - 9
A293 5180	MCU Board	153 - *
A293 5180	MCU Board (A282/A293)	131 - 9
A293 5200	LCDC Board (A292/A293)	19 - 20
A293 5215	LCD HVGA U95	19 - 18
A293 5305	DC Motor - 20.7W	119 - 1
A293 5310	Sync Detector Board	49 - 20
A293 5330	Interface Board	45 - 19
A293 5400	BICU Cable	129 - 12
A293 5400	BICU Cable (A292/A293)	43 - 17
A293 5405	LCDC Harness	43 - 9
A293 5411	Drum Unit Harness	91 - 7
A293 5415	Process Control Harness	121 - 34

Part No.	Description	Page and Index No.
A293 5416	Right Harness	129 - 11
A293 5417	Left Harness (A292/A293)	129 - 17
A293 5418	Interface Harness - Duplex Unit	131 - 14
A293 5419	DRB Harness	129 - 8
A293 5420	CNB Harness	129 - 19
A293 5421	Safety Switch Harness	129 - 20
A293 5423	Relay Harness - Power Supply Unit	133 - 19
A293 5426	Laser Diode Control Harness	43 - 12
A293 5428	Switch Harness - Laser Diode	135 - 29
A293 5430	Inner Harness	43 - 11
A293 5431	Power Harness - Laser Diode	43 - 13
A293 5432	Harness - Imaging Unit - Outer	49 - 16
A293 5436	Paper Exit Unit Harness	113 - 16
A293 5441	Duplex Unit Harness	107 - 16
A293 5451	Harness - By-pass Feed Unit	73 - 22
A293 5468	Interface Harness - Exposure Lamp	131 - 21
A293 5470	SBU Harness - 40wick (A292/A293)	43 - 14
A293 5471	SBU Harness - 15wick (A292/A293)	43 - 10
A293 5472	HDD Harness	43 - 20
A293 5472	HDD Harness	135 - 19
A293 5499	Harness - Paper Feed	69 - 28
A293 5501	Harness - CNB/IOB	129 - 16
A293 5502	Harness - DC Power Supply	133 - 10
A293 5503	Harness - CNB/ADF/FIN	129 - 21
A293 5507	BICU Harness - DC Power	43 - 19
A293 5507	BICU Harness - DC Power	133 - 2
A293 5508	CNB Harness - DC Power	133 - 3
A293 5510	ADF Interface Connector	131 - 15
A293 5600	AC Main Harness (120V)	121 - 22
A293 5600	AC Main Harness (A292/A293)	135 - 10
A293 5600	AC Main Harness	133 - 6
A293 5845	Bracket - I/O Board	129 - 15
A293 5853	Right Fix Bracket	121 - 26
A293 5859	MCU Board Bracket	131 - 10
A293 5862	Connector Bracket - Finisher Cable	131 - 17

Part No.	Description	Page and Index No.
A293 5863	Driver Board Bracket	129 - 10
A293 5865	HDD Bracket	135 - 20
A293 5866	HDD Ground Plate - A	135 - 27
A293 5867	HDD Ground Plate - C	135 - 21
A293 5868	Ground Plate Bracket	135 - 28
A293 5870	MCU Fixing Bracket	131 - 13
A293 5871	CSS Board Bracket	129 - 6
A293 5876	Right Fix Bracket	133 - 1
A293 5879	Ground Plate	49 - 31
A293 6160	DC Motor - 18W	125 - 26
A293 6168	Lift Motor Bracket (A292/A293)	127 - 21
A293 6199	Drive Shaft	127 - 29
A293 6200	Paper Feed Unit - 2nd/4th Feed (A292/A293)	63 - *
A293 6210	Paper Feed Unit - 3rd Feed (A292/A293)	63 - *
A293 6220	Paper Feed Unit - 1st Tray (A292/A293)	63 - *
A293 6251	Guide Stay	141 - 31
A293 6371	Guide Plate - Paper Feed (A292/A293)	69 - 7
A293 6399	Torque Limiter - Separator	67 - 4
A293 6399	Torque Limiter - Separator	73 - 6
A293 6517	Universal Tray - LT (A292/A293)	59 - 3
A293 6518	Universal Tray - A4 (A292/A293)	59 - 3
A293 6544	Positioning Plate - A4 (B098)	59 - 26
A293 6545	Positioning Plate - LT (B098)	59 - 26
A293 6571	Actuator - Paper Size Switch (A292/A293)	59 - 14
A293 6574	Actuator Guide	59 - 15
A293 6576	Link - Paper Size Lever	59 - 12
A293 6579	Link Guide	59 - 11
A293 6580	Set Sensor Bracket - Paper Tray	61 - 20
A293 6585	Paper Size Sensor Slider	59 - 33
A293 6607	Right Tandem LCT - A4 (A292/A293)	55 - *
A293 6608	Right Tandem LCT - LT (A292/A293)	55 - *
A293 6609	Left Tandem LCT (A292/A293)	53 - 3
A293 6612	Left Tandem LCT - A4 (A292/A293)	53 - 3
A293 6620	Sensor Bracket	53 - 35
A293 6640	Tray Bottom Plate - Left Front	53 - 9

Part No.	Description	Page and Index No.
A293 6642	Tray Bottom Plate - Left Rear	53 - 12
A293 6643	Front Left Side Fence - Tandem LCT	53 - 7
A293 6644	Rear Left Side Fence - Tandem LCT	53 - 14
A293 6646	Rear Cover - Tandem LCT (A292/A293)	53 - 15
A293 6647	Support Bracket - End Fence (A292/A293)	53 - 37
A293 6649	Rear Cover Cushion - Tandem LCT	53 - 38
A293 6712	End Fence Guide (A292/A293)	57 - 38
A293 6713	Front End Fence	57 - 16
A293 6714	Rear End Fence	57 - 22
A293 6736	Side Fence - Right Front (A292/A293)	55 - 6
A293 6739	Inner Cover - Right Rear (A292/A293)	55 - 12
A293 6766	Arm Bracket	127 - 18
A293 6776	Tandem LCT Stay (A292/A293)	141 - 10
A293 7010	Model Name Plate - SVN 2070DP (A293)	15 - 23
A293 7012	Model Name Plate - GES 3370 (A293)	15 - 23
A293 7014	Model Name Plate - NSA D555 (A293)	15 - 23
A293 7016	Model Name Plate - REX 2955 (A293)	15 - 23
A293 7018	Model Name Plate - LAN 5470 (A293)	15 - 23
A293 7207	Copy Instruction Guide - LT English (RIC)	183 - 35
A293 7208	Copy Instruction Guide - A4 English (RIC)	183 - 35
A293 7260	Copy Instruction Guide - A4 English (INF)	183 - 35
A293 7290	Copy Instruction Guide - A4 English (NRG)	183 - 35
A293 7297	Copy Instruction Guide - LT English	183 - 35
A293 7307	Quick Guide - LT English (RIC/SVN/GES)	183 - 36
A293 7308	Quick Guide - A4 English (RIC)	183 - 36
A293 7390	Quick Guide - A4 English (NRG/INF)	183 - 36
A293 7510	Paper Feed Control Board	133 - 8
A293 7552	BICU Board (NA)	165 - *
A293 7552	BICU Board (NA) (A292/A293)	43 - 18
A293 7562	BICU Board (EU)	165 - *
A293 7562	BICU Board (EU) (A292/A293)	43 - 18
A293 7601	Rear Paper Bank Harness	133 - 9
A293 7601	Rear Paper Bank Harness	127 - 13
A293 7601	Rear Paper Bank Harness	125 - 36
A293 7602	Front Paper Bank Harness	133 - 7

Part No.	Description	Page and Index No.
A293 7603	Paper Feed Motor Harness	125 - 25
A293 7603	Paper Feed Motor Harness	133 - 17
A293 7604	MCU Harness (LAN) (A292/A293)	43 - 16
A293 7606	Heater Harness	141 - 33
A293 7607	MCU Harness (A292/A293)	43 - 16
A293 7651	AC Main Harness - 230V	121 - 22
A293 7717	Power Supply Cord:EU:Ass'y (B098)	133 - 13
A293 7723	Power Supply Cord - 120V (A292/A293)	133 - 13
A293 7724	Power Supply Cord:NA:Ass'y (B098)	133 - 13
A293 8607	System Instructions - LT English (RIC)	183 - 37
A293 8608	System Instructions - A4 English (RIC)	183 - 37
A293 8660	System Instructions - A4 English (INF)	183 - 37
A293 8690	System Instructions - A4 English (NRG)	183 - 37
A293 8697	System Instructions - LT English (SVN/GES)	183 - 37
A293 8980	Laser Diode Unit Ass'y (A292/A293)	43 - 3
A293 9099	Nv-ram Minus Counter	165 - 5
A294 1378	Decal - Total Counter (B098)	15 - 15
A294 1688	Cushion	47 - 8
A294 1705	Cover - 1st Scanner	45 - 15
A294 1707	Reflector	45 - 14
A294 1708	Invertor Insulator - 1	45 - 21
A294 1709	Wire Clamp	45 - 20
A294 1710	Holder - 1st Scanner Harness	45 - 18
A294 1712	Rear Holder - Lamp	45 - 13
A294 1743	Cushion - 5x20x4	45 - 3
A294 1757	Pulley - Front Drive	47 - 6
A294 1758	Pulley - Rear Drive	47 - 13
A294 1794	Left Scale (A292/A293)	41 - 2
A294 1795	Right Scale (A292/A293)	41 - 6
A294 1838	Ground Plate - Lens Stay	41 - 25
A294 1843	Photosensor With Filter - H50	41 - 8
A294 2401	Drum Stay Ass'y (A292/A293)	85 - 27
A294 2616	Registration Roller:Upper	71 - 6
A294 2617	Registration Roller:Lower	71 - 7
A294 2678	Roller - Duplex Exit	75 - 14

Part No.	Description	Page and Index No.
A294 3121	Lower Development Casing	83 - 11
A294 3126	Casing Electrode	83 - 15
A294 3127	Lower Development Sheet	83 - 12
A294 3129	Electrode Torsion Spring	83 - 14
A294 3145	Ball Bearing Case - 8x19x6	83 - 8
A294 3147	Seal	83 - 7
A294 3150	Bushing - 6x22x14	83 - 10
A294 3170	Bushing - 6x22x14	83 - 13
A294 3173	Seal - M8	83 - 18
A294 3237	Seal - 33x324x4	79 - 12
A294 3556	Entrance Seal Holder	91 - 9
A294 3566	Holder - Toner Collection Coil	89 - 10
A294 3572	Rear Drum Seal	91 - 6
A294 3591	Joint - Cleaning Drive	89 - 15
A294 3606	Cleaning Seal - Ass'y	89 - 17
A294 3656	Gear Joint - Z16	121 - 15
A294 3671	Cam - Blade Slide	121 - 10
A294 3680	Drum Shaft Stay	121 - 6
A294 3869	Rear Positioning Plate	93 - 9
A294 4077	Left Holder (A292/A293 120V)	97 - 10
A294 4078	Right Holder (A292/A293 120V)	97 - 7
A294 5057	IC - HD6433042SC34F	153 - 1
A294 5144	IC - HDC	175 - 6
A294 5151	IC - BIPU	175 - 2
A294 5151	IC - BIPU	165 - 2
A294 5153	IC - IMACB RF5C589C	175 - 3
A294 5153	IC - IMACB RF5C589C	165 - 3
A294 5155	IC - BIJU	165 - 4
A294 5155	IC - BIJU	175 - 4
A294 5173	HDD - ATA SU6	135 - 18
A294 5500	Harness - 1st Scanner	45 - 10
A294 6670	Base - Right Tandem Tray (A292/A293)	55 - 7
A294 7005	ARDF Ass'y (A292/A293)	21 - *
A294 9510	OPC Drum	87 - 8
A300 2134	Guide Roller - B	103 - 4

Part No.	Description	Page and Index No.
A300 3812	Spacer - 6x22x1.5	37 - 8
A351 3459	Idler	31 - 19
A351 4281	Anti-vibration Cushion	39 - 8
A352 2138	Slide Collar - 0.6x4.5x6	91 - 21
A376 4599	Side Fence Pad	23 - 18
A413 1670	Antistatic Brush	101 - 7
A418 1158	Spacer - M6.5x1	25 - 33
A422 1063	Seal - 0.7x13x20	27 - 20
A423 4432	Shoulder Screw - M2.5	125 - 18
A423 4432	Shoulder Screw - M2.5	69 - 18
A423 4433	Spring	69 - 17
A423 4433	Spring	125 - 17
A469 2123	Rubber Cushion - 1x10x10mm	75 - 12
A469 3113	Rubber Seal - 1x6x10mm	33 - 19
A470 1703	Shift Clutch	113 - 2
A470 1704	Spring - Lower Exit Roller	113 - 1
A498 3118	Stepped Screw - M4	29 - 27
A548 1217	Antistatic Brush - Paper Exit	33 - 3
A548 1231	Guide Roller	33 - 13
A548 1234	Driven Roller Arm	31 - 10
A548 1234	Driven Roller Arm	33 - 6
A548 1241	Driven Roller Ass'y	21 - 9
A548 1261	Exit Roller	33 - 8
A548 1317	Lever Cushion	33 - 10
A548 1320	Inverter Gate Plate	33 - 26
A548 1442	Transport Arm	29 - 15
A548 1531	Safety Switch Feeler	39 - 12
A548 2137	Timing Pulley - 18Z	33 - 18
A548 2137	Timing Pulley - 18Z	37 - 12
A610 2132	Pressure Bushing	29 - 8
A610 2133	Tension Spring	29 - 7
A610 2136	Bushing	29 - 6
A610 2137	Pressure Roller Bushing	29 - 26
A610 2161	Belt Pressure Roller - 24	29 - 25
A610 3532	Timing Pulley - 18Z	37 - 6

Part No.	Description	Page and Index No.
A610 6051	Decal - Document Set (A292/A293)	183 - 14
A610 6051	Decal - Document Set (A292/A293)	21 - 2
A628 1225	Bushing - 8mm	25 - 7
A666 2421	Sub - Shift Tray (A292/A293)	21 - 19
A680 1171	Harness Holder	37 - 18
A680 1181	Magnetic Catch	39 - 2
A680 1181	Magnetic Catch	35 - 19
A680 1384	Solenoid - Lower Inverter Gate	33 - 21
A680 1443	Arm Shaft	29 - 16
A680 1446	Transport Unit Arm	29 - 14
A680 1621	Feed-in Unit Stopper	25 - 6
A680 1661	Bushing - 4mm	23 - 12
A680 2262	Feeler - Pick-up Roller Cam	35 - 21
A680 2311	Pulley - 18T/32T	37 - 4
A680 2321	Pulley - 30T	33 - 1
A680 4151	Side Fence Guide (A292/A293)	23 - 21
A806 1135	Contact Point Shaft	39 - 4
A806 1141	Reverse Roller Stay	25 - 28
A806 1152	Upper Guide Plate	25 - 1
A806 1153	Upper Guide Plate	25 - 2
A806 1161	Entrance Guide Plate - Front	25 - 4
A806 1162	Entrance Guide Plate - Inner	25 - 15
A806 1163	Guide Plate Cushion	25 - 5
A806 1181	Pressure Roller Bracket - Pull Out	23 - 9
A806 1211	Middle Guide Plate	27 - 8
A806 1221	Registration Sensor Bracket	27 - 22
A806 1226	Paper Size Sensor Bracket	27 - 7
A806 1231	Paper Feed Base	27 - 18
A806 1241	Lower Guide Plate	27 - 9
A806 1251	Transport Roller Arm	27 - 10
A806 1256	Middle Shaft - Roller Arm	27 - 16
A806 1257	Roller Arm Shaft	27 - 17
A806 1261	Middle Driven Roller	27 - 15
A806 1266	Driven Roller	27 - 12
A806 1271	Pull Out Drive Roller	27 - 2

Part No.	Description	Page and Index No.
A806 1276	Transport Drive Roller	27 - 3
A806 1282	Separation Drive Shaft	25 - 14
A806 1292	Feed Belt Bracket	25 - 9
A806 1293	Feed Belt Drive Roller	25 - 8
A806 1294	Feed Belt Driven Roller	25 - 11
A806 1295	Feed Belt	25 - 10
A806 1298	Transport Belt Roller Shaft	25 - 12
A806 1321	Pickup Roller	25 - 23
A806 1328	Release Lever	25 - 16
A806 1331	Original Table Stay	23 - 34
A806 1335	Original Table Guide Plate	23 - 14
A806 1342	Base Lever	23 - 32
A806 1346	Base Shaft	23 - 31
A806 1353	Feeler Stud	23 - 20
A806 1356	Original Sensor Bracket	23 - 28
A806 1361	Cover Bracket	23 - 5
A806 1371	Magnet Catch - Paper Feed Cover	23 - 3
A806 1712	Front Cover (A292/A293)	21 - 4
A806 1781	Exit Cover (A292/A293)	21 - 14
A806 1792	Original Table Cover (A292/A293)	21 - 5
A806 1821	Original Table (A292/A293)	21 - 1
A806 1852	Original Table Base (A292/A293)	23 - 23
A806 1871	Side Fence (A292/A293)	23 - 17
A806 1921	Right Cover (A292/A293)	31 - 20
A806 2151	Timing Pulley - T19/Z23 S2M/M0.6	25 - 19
A806 2153	Timing Pulley - T27 S2M	25 - 25
A806 2161	Timing Pulley - T30/Z20 S2M/M0.8	35 - 8
A806 2244	Separation Shaft Stopper	35 - 26
A806 2271	Gear - Z18	25 - 18
A806 2281	Gear - Z47	23 - 29
A806 2283	Gear - Z20/Z47	35 - 7
A806 2285	Gear - Z20/Z47	35 - 5
A806 2287	Gear - Z20/Z47	35 - 6
A806 2911	Stepper Motor Ass'y	35 - 1
A806 3111	Drive Exit Roller	31 - 21

Part No.	Description	Page and Index No.
A806 3142	Guide Plate Bracket	31 - 5
A806 3151	Driven Exit Roller	31 - 4
A806 3171	Lower Exit Cover	31 - 7
A806 3211	Right Exit Guide Plate	31 - 15
A806 3221	Exit Ground Plate	31 - 18
A806 3222	Seal	31 - 17
A806 3251	Exit Cover Bracket	21 - 13
A806 3261	Inner Back Cover Bracket	21 - 12
A806 3266	Discharge Brush Bracket	21 - 11
A806 3281	Timing Pulley - T14 S3M	31 - 13
A806 3311	Invertor Solenoid Assembly	33 - 20
A806 3312	Solenoid Bracket	33 - 25
A806 4117	Timing Belt - B40S2M158	35 - 10
A806 4118	Timing Belt - B40S2M148	25 - 22
A806 4221	Compression Spring	27 - 14
A806 4231	Spring	33 - 16
A806 4232	Tension Spring	33 - 11
A806 4251	Grounding Plate	23 - 41
A806 4261	Spring Belt Guide Roller	25 - 13
A806 4311	Decal - Misfeed Removal	183 - 15
A806 4311	Decal - Misfeed Removal (A292/A293)	23 - 2
A806 4321	Decal - Original Stack Height	183 - 16
A806 4321	Decal - Original Stack Height (A292/A293)	23 - 25
A806 4331	Decal - Original Size	183 - 17
A806 4331	Decal - Original Size (A292/A293)	23 - 4
A806 4341	Display Panel	21 - 7
A806 5705	Display Harness	35 - 3
A806 5715	Pick Up Motor Harness	35 - 35
A806 5740	Registration Sensor Harness	27 - 24
A806 5745	Paper Size Sensor Harness	25 - 29
A806 5745	Paper Size Sensor Harness	27 - 4
A806 5790	Original Sensor Harness	23 - 26
A859 2230	Ball Bearing - 6x13x5	35 - 33
A859 2241	Reverse Roller	25 - 26
A859 7211	Stepped Screw	21 - 3

Part No.	Description	Page and Index No.
B023 1101	Stand Holder (B098)	141 - 32
B065 1342	Coupling Cap (B098)	17 - 17
B065 3108	Filter Plate (B098)	81 - 16
B065 3304	Bottle Holder	77 - 14
B065 3695	Bottle Guide (B098)	69 - 19
B065 6116	Upper Heat Sink (B098)	141 - 12
B065 6221	Lower Heat Sink (B098)	141 - 19
B065 6710	Front Right Side Plate (B098)	57 - 13
B065 6811	Side Plate - Right Rear (B098)	57 - 26
B065 6827	Tandem LCT Base (B098)	53 - 36
B065 6851	Right Base - Tandem LCT (B098)	57 - 36
B070 1308	Decal: Size Indication: Paper Tray (B098)	183 - 34
B070 1331	Cap: Key Counter:C2 (B098)	17 - 31
B070 4096	Housing: Thermostat: Lower (B098)	101 - 37
B070 5100	MCU Board (B098)	157 - *
B070 5100	PCB:MCU (B098)	131 - 9
B070 5104	Prom: IC	157 - 1
B070 7000	ARDF: Ass'y (B098)	21 - *
B098 1072	Stay: Upper: Middle (B098)	49 - 26
B098 1075	Cover: Base (B098)	137 - 3
B098 1104	Ozone Filter (B098)	139 - 11
B098 1114	Guide: Ozone Filter (B098)	139 - 13
B098 1115	Duct: Cooling: Drum: Ass'y (B098)	123 - 4
B098 1126	Fan:Cooling:Exit:DC24V 2.88W X 2 (B098)	139 - 33
B098 1131	Duct: Exhaust: Upper (B098)	129 - 23
B098 1132	Duct: Exhaust: Lower (B098)	129 - 26
B098 1135	Fly Wheel (B098)	119 - 4
B098 1141	Shaft: Drum: Drive: Ass'y (B098)	121 - 7
B098 1185	Bracket: Rail: Development Unit (B098)	137 - 7
B098 1186	Rail: Development Unit (B098)	137 - 8
B098 1257	Grip: Door: Ass'y (B098)	15 - 7
B098 1259	Hinge :Right Lower: Ass'y (B098)	15 - 10
B098 1260	Cover: Right Upper: Ass'y (B098)	17 - 18
B098 1262	Filter: Ass'y (B098)	17 - 19
B098 1265	Cover: Left Upper: Ass'y (B098)	17 - 1

Part No.	Description	Page and Index No.
B098 1269	Cover: Right Lower: Ass'y (B098)	17 - 9
B098 1270	Cover: Left Lower: Ass'y (B098)	17 - 28
B098 1273	Door: Exp: Sub-ass'y (B098)	15 - 8
B098 1285	Duct: Cover: Exhaust: Adhesion (B098)	17 - 5
B098 1304	Cover: Large Capacity Tray (B098)	17 - 16
B098 1306	Cover: Rear Upper (B098)	17 - 29
B098 1309	Cover: Rear Lower (B098)	17 - 20
B098 1310	Cover: Upper (B098)	17 - 25
B098 1311	Cover: Upper: Right (B098)	17 - 30
B098 1318	Cap:Û17 (B098)	17 - 8
B098 1323	Inner Cover: Right Lower (B098)	15 - 16
B098 1324	Inner Cover: Main Switch (B098)	15 - 4
B098 1327	Inner Cover: Operation Sub-unit (B098)	17 - 27
B098 1334	Insulating Sheet: Harness: IOB (B098)	17 - 36
B098 1335	Louver: Filter (B098)	17 - 22
B098 1342	Hinge: Upper (B098)	15 - 5
B098 1349	Decal:Toner Supply (B098)	15 - 1
B098 1350	Decal: Misfeed Removal: Main (B098)	15 - 2
B098 1359	Shading Plate: Control Unit (B098)	17 - 21
B098 1360	Decal: Main Switch: NA (120V B098)	17 - 3
B098 1362	Decal: Main Switch: EU (230V B098)	17 - 3
B098 1393	Tray: Exit: Machine Or Copier (B098)	21 - 16
B098 1394	Tray: Exit (B098)	21 - 18
B098 1412	Operation Panel:C2:NA:Ass'y (B098)	19 - 1
B098 1414	Operation Panel:C2:EU:Ass'y (B098)	19 - 1
B098 1441	Case: Operation Panel: NA (B098)	19 - 2
B098 1442	Case: Operation Panel: EU (B098)	19 - 2
B098 1451	Keytop:10key (B098)	19 - 11
B098 1452	Keytop: Start (B098)	19 - 13
B098 1453	Keytop: Clear/Stop (B098)	19 - 12
B098 1455	Keytop: Block Diagram (B098)	19 - 10
B098 1456	Keytop: Interrupt (B098)	19 - 8
B098 1457	Keytop: Check (B098)	19 - 7
B098 1458	Keytop: Tool (B098)	19 - 24
B098 1461	Cap: Application: Moj (B098)	19 - 4

Part No.	Description	Page and Index No.
B098 1466	Sheet:Guidance (B098)	19 - 3
B098 1475	Keytop:Preheat:Exp (B098)	19 - 9
B098 1477	Keytop:Copy:Moj:NA (B098)	19 - 17
B098 1478	Keytop:Copy:Moj:EU (B098)	19 - 17
B098 1677	Rail:Around The Photoconductor:Right (B098)	137 - 6
B098 1705	DC Motor:38V 26W (B098)	47 - 16
B098 1706	Bracket:Dc Motor:Scanner (B098)	47 - 15
B098 1707	Fly Wheel:Scanner (B098)	47 - 22
B098 1715	Drive Were:Scanner (B098)	47 - 1
B098 1731	Carriage:No.1:Ass'y (B098)	45 - 16
B098 1735	Mirror:No.1:Ass'y (B098)	45 - 17
B098 1740	Mirror:No.2:Ass'y (B098)	45 - 9
B098 1775	Bracket:Scale:Left (B098)	41 - 4
B098 1781	Scale:Rear:Ass'y (B098)	41 - 6
B098 1785	Stay:Right (B098)	41 - 13
B098 1791	Scale:Left:Ass'y (B098)	41 - 2
B098 1797	Image Scanning Board:ass'y (B098)	41 - 11
B098 1819	Inner Cover:Bicu:Peen (B098)	41 - 10
B098 1831	Bracket:Fan (B098)	41 - 15
B098 1834	Insulating Sheet:FFC:SBU (B098)	43 - 26
B098 1835	Insulating Sheet:FFC:Ass'y (B098)	43 - 27
B098 1871	Imaging Unit:Ass'y (B098)	49 - 35
B098 1970	Laser Diode Unit:Ass'y (B098)	43 - 3
B098 2083	Duct:Vacuum:Middle:Sub-Ass'y (B098)	123 - 1
B098 2316	Pulley:Drum:Z125 (B098)	121 - 2
B098 2352	Plate:Harness (B098)	91 - 8
B098 2401	Drum Stay:Drum:Ass'y (B098)	85 - 27
B098 2421	Tray:Slide (B098)	21 - 19
B098 2588	Magnetic Clutch:Manual Feed (B098)	71 - 28
B098 2600	Side Plate:Paper Feed:Front:Peen (B098)	73 - 1
B098 2605	Side Plate:Paper Feed:Rear:Ass'y (B098)	73 - 23
B098 2607	Cleaner:Remove Paper Dust:Ass'y (B098)	71 - 5
B098 2612	Guide Plate:Registration:Lower (B098)	71 - 8
B098 2622	Guide:Registration:Front:Lower (B098)	71 - 10
B098 2626	Guide Plate:Regist:Front:Upper (B098)	71 - 9

Part No.	Description	Page and Index No.
B098 2633	Pawl:Lock:Front (B098)	75 - 5
B098 2647	Guide Plate:Open And Close:Middle (B098)	75 - 10
B098 2651	Guide Plate:Lct:Ass'y (B098)	75 - 17
B098 2655	Pawl:Lock:Rear (B098)	75 - 8
B098 2660	DC Solenoid:Guide Plate (B098)	75 - 23
B098 2661	Guide Plate:Paper Bank:Connecting (B098)	73 - 20
B098 2672	Guide Plate:Duplex:Exit:Peen (B098)	75 - 13
B098 2692	Damping Insulation:Guide Plate (B098)	73 - 10
B098 2701	Guide:Paper:Manual Feed Table (B098)	51 - 19
B098 2703	Guide Plate:Lower:Manual Feed (B098)	73 - 11
B098 2706	Cover:Manual Feed (B098)	51 - 4
B098 2707	Guide Plate:Upper:Manual Feed (B098)	51 - 1
B098 2708	Cap:Cover:Manual Feed (B098)	51 - 3
B098 2710	Manual Feed Table:Ass'y (B098)	51 - 20
B098 2711	Manual Feed Table (B098)	51 - 12
B098 2721	Cover:manual Feed (B098)	51 - 18
B098 2742	Side Fence:Manual Feed:Front (B098)	51 - 8
B098 2751	Side Fence:Manual Feed:Rear (B098)	51 - 11
B098 2761	Guide:Auxiliary:Front (B098)	51 - 7
B098 2771	Guide:Auxiliary:Rear (B098)	51 - 10
B098 2773	Shaft:Manual Feed Table (B098)	51 - 17
B098 2780	Rack:Side Fence (B098)	51 - 13
B098 3150	Toner Supply Unit:Ass'y (B098)	79 - 1
B098 3183	Holder:Filter:Middle (B098)	79 - 2
B098 3184	Holder:Filter:Front (B098)	79 - 17
B098 3206	Bottle:Drive:GER:Ass'y (B098)	77 - 1
B098 3218	Gear:Toner Bottle:GER (B098)	77 - 16
B098 3224	Roller:Turn:Bottle (B098)	77 - 15
B098 3241	Decal:Toner Supply:English (B098)	183 - 39
B098 3264	Lever:Shutter (B098)	77 - 11
B098 3492	Gear:Manual Feed Table (B098)	51 - 16
B098 3551	Pump:Toner Recycling:Ass'y (B098)	123 - 7
B098 3554	Toner Outlet Unit:Ass'y (B098)	123 - 9
B098 3729	Case:toner Collection Coil:Ass'y (B098)	125 - 5
B098 3810	Transfer Unit:C2:Ass'y (B098)	93 - 1

Part No.	Description	Page and Index No.
B098 3910	Casing:Transfer Belt:C2:Ass'y (B098)	95 - *
B098 3929	Cover:Gear (B098)	95 - 16
B098 4015	Fusing Unit:EU:Ass'y (B098)	97 - *
B098 4045	Paper Exit:Ass'y (B098)	99 - 25
B098 4050	Fusing Unit:NA:Ass'y (B098)	97 - *
B098 4085	Oil Supply Unit:Ass'y (B098)	97 - 1
B098 4095	Lower Cleaning Roller Unit (B098)	97 - 18
B098 4101	Side Plate:Fusing:Front:Ass'y (B098)	101 - 19
B098 4105	Side Plate:Rear:Fusing:Ass'y (B098)	101 - 30
B098 4121	Rail:Fusing (B098)	101 - 3
B098 4141	Harness:Fusing Unit:Ass'y (B098 120V)	101 - 26
B098 4143	Harness:Fusing Unit:EU:Ass'y (B098 230V)	101 - 26
B098 4157	Decal:Confirm:Paper (B098)	97 - 3
B098 4165	Decal:misfeed Removal:d/e:na (B098)	97 - 12
B098 4166	Decal:Misfeed Removal:D/e:Multi (B098)	183 - 38
B098 4227	Harness:Front (B098)	101 - 34
B098 4228	Harness:Inner Back (B098)	101 - 35
B098 4249	Rail:Fusing Unit:Ass'y (B098)	139 - 10
B098 4307	Frame:Fusing Exit:Printing (B098)	99 - 1
B098 4313	Bracket:guide Plate:pickoff Pawl (B098)	99 - 14
B098 4316	Bracket:Fix:Guide Plate (B098)	99 - 26
B098 4319	Holder:Exit Roller (B098)	99 - 15
B098 4322	Guide Plate:Fusing Exit:Upper (B098)	99 - 18
B098 4451	Side Plate:Rear:Exit:Ass'y (B098)	117 - 3
B098 4453	Side Plate:Front:Exit:Ass'y (B098)	117 - 5
B098 4456	Guide Plate:Reverse:Left (B098)	113 - 9
B098 4458	Guide Plate:Exit:Exit (B098)	113 - 10
B098 4460	Bracket:Exit Roller:Ass'y (B098)	113 - 6
B098 4463	Cover:Exit (B098)	113 - 5
B098 4475	Gate Pawl:Exit (B098)	115 - 12
B098 4476	Guide Plate:Exit:Middle (B098)	115 - 10
B098 4501	Duplex Unit:Ass'y (B098)	103 - 1
B098 4533	Magnetic Clutch:Transport:Duplex (B098)	107 - 1
B098 4595	Guide:Duplex Unit:Right:Left (B098)	107 - 2
B098 4684	Side Fence:Jogger:Front (B098)	103 - 9

Part No.	Description	Page and Index No.
B098 4687	Side Fence:Jogger:Rear (B098)	103 - 10
B098 4705	Stay:Guide Plate:Ass'y (B098)	111 - 17
B098 4713	Guide Plate:Reverse:Lower:Right (B098)	103 - 11
B098 4717	Guide Plate:Reverse:Lower:Left (B098)	103 - 6
B098 4800	Guide Plate:Duplex:Exit (B098)	109 - 22
B098 4806	Lever:Release:Duplex Unit (B098)	109 - 15
B098 4820	Inner Cover:Duplex Unit (B098)	103 - 2
B098 4933	Hook:Lever:Guide Plate:Ass'y (B098)	103 - 26
B098 5120	PCB:I/O (B098)	129 - 14
B098 5120	I/O Board (B098)	149 - *
B098 5200	PCB:LCDC (B098)	19 - 20
B098 5250	Harness:Connecting:Manual Feed:CL (B098)	71 - 34
B098 5340	Harness:Connecting:Total Counter (B098)	135 - 32
B098 5400	Interface Harness:BICU:IOB (B098)	43 - 17
B098 5417	Harness:Machine Or Copier:Left (B098)	129 - 17
B098 5419	Ground Plate:Control Board:Printer (B098)	119 - 28
B098 5470	Harness:FFC:SBU:40WICK:80MM (B098)	43 - 14
B098 5471	Harness:FFC:SBU:15WICK:80MM (B098)	43 - 10
B098 5600	Harness:AC:Main:NA (B098)	135 - 10
B098 5856	Bracket:Main Switch (B098)	135 - 9
B098 5857	Shield:Switch (B098)	135 - 31
B098 5874	Bracket:Paper Feed Control Board (B098)	133 - 12
B098 5891	Guide:Harness:Main:Ass'y (B098)	119 - 3
B098 6079	Side Fence:Left Rear (B098)	59 - 22
B098 6111	Shielding Plate:Tandem LCT:Left (B098)	141 - 37
B098 6112	Shielding Plate:Tandem LCT:Right (B098)	141 - 38
B098 6168	Bracket:Lift Motor:Paper Tray (B098)	127 - 21
B098 6177	Bracket:Sensor:Paper Size Sensor (B098)	125 - 30
B098 6181	Side Plate:Front:Paper Bank:Ass'y (B098)	141 - 14
B098 6200	Paper Feed Unit:Paper Bank:Ass'y (B098)	63 - *
B098 6210	Paper Feed Unit:No.3:Ass'y (B098)	63 - *
B098 6220	Paper Feed Unit:No.1:Ass'y (B098)	63 - *
B098 6269	Rail:Paper Tray:Right:Ass'y(B098)	141 - 16
B098 6275	Stay:Paper Tray:Right:Ass'y (B098)	61 - 21
B098 6275	Stay:Paper Tray:Right:Ass'y (B098)	59 - 34

Part No.	Description	Page and Index No.
B098 6279	Rail:Paper Tray:Left:Ass'y (B098)	141 - 5
B098 6285	Stay:Paper Tray:Left:Ass'y (B098)	59 - 35
B098 6285	Stay:Paper Tray:Left:Ass'y (B098)	61 - 22
B098 6303	Stay:Reverse:Ass'y (B098)	67 - 15
B098 6310	Cover:Solenoid:Paper Feed:Lower (B098)	67 - 22
B098 6330	Side Plate:Rear:Paper Feed :Ass'y (B098)	67 - 12
B098 6333	Cover:Gear:Paper Feed Unit:Rear (B098)	63 - 25
B098 6335	Side Plate:Front:Ass'y (B098)	67 - 1
B098 6338	Guide Plate:Reverse (B098)	67 - 5
B098 6339	Guide Plate:Feed (B098)	65 - 12
B098 6346	Stay:Feed:Ass'y (B098)	65 - 1
B098 6350	Cover:Gear:Paper Feed Roller (B098)	65 - 17
B098 6370	Guide Plate:Vertical Transport (B098)	67 - 21
B098 6374	Guide Plate:Joint Unit:Ass'y (B098)	69 - 7
B098 6403	Side Plate:Front:Vertical Transport (B098)	69 - 1
B098 6405	Guide Plate:Vertical Transport (B098)	69 - 9
B098 6411	Lever:Release:Vertical Transport (B098)	69 - 4
B098 6413	Cover:Release:Vertical Transport (B098)	69 - 2
B098 6515	Paper Tray:Fix:DLT:Ass'y (B098)	61 - 12
B098 6516	Paper Tray:Fix:A3:Ass'y (B098)	61 - 12
B098 6517	Paper Tray:Universal:NA:Ass'y (B098)	59 - 3
B098 6518	Paper Tray:Universal:EU:Ass'y (B098)	59 - 3
B098 6527	Paper Guide Feeler (B098)	61 - 14
B098 6527	Paper Guide Feeler (B098)	59 - 18
B098 6536	Cover:Side Fence:Universal:Front (B098)	59 - 32
B098 6537	Lever:Stopper:Positioning (B098)	59 - 5
B098 6539	Decal:Paper Size Sensor:NA (B098)	59 - 10
B098 6549	Side Fence:Fix:Front:Ass'y (B098)	61 - 3
B098 6550	Side Fence:Fix:Rear:Ass'y (B098)	61 - 10
B098 6551	Positioning Plate:Side Fence:Fix (B098)	61 - 13
B098 6556	Tray Bottom Plate (B098)	61 - 8
B098 6557	Tray Bottom Plate (B098)	59 - 19
B098 6562	End Fence:Universal (B098)	59 - 7
B098 6563	Cover:End Fence:Universal (B098)	59 - 4
B098 6564	Positioning Plate:End Fence (B098)	59 - 8

Part No.	Description	Page and Index No.
B098 6568	Positioning Plate:End Fence:Fix (B098)	61 - 5
B098 6570	Paper Stopper:Side Fence (B098)	59 - 30
B098 6574	Paper Size Sensor Board:Ass'y (B098)	59 - 14
B098 6580	Bracket:Set Sensor:Paper Tray	61 - 20
B098 6589	Cover:Paper Tray:Short (B098)	59 - 2
B098 6607	Tandem LCT:Right:EU:Ass'y (B098)	55 - *
B098 6608	Tandem LCT:Right:Ass'y (B098)	55 - *
B098 6609	Tandem LCT:Left:Ass'y (B098)	53 - 3
B098 6612	Tandem LCT:Left:EU:Ass'y (B098)	53 - 3
B098 6620	Cover:Paper Tray:Long (B098)	61 - 2
B098 6632	Bracket:Cover:Tandem LCT:Ass'y (B098)	53 - 5
B098 6639	Tray Bottom Plate:Left Middle:Ass'y (B098)	53 - 10
B098 6640	Tray Bottom Plate:Left Front (B098)	53 - 9
B098 6642	Tray Bottom Plate:Left Rear (B098)	53 - 12
B098 6643	Side Fence:Tandem LCT:Left Front (B098)	53 - 7
B098 6644	Side Fence:Tandem LCT:Left Rear (B098)	53 - 14
B098 6645	Side Plate:Tandem LCT:Left Sideways (B098)	53 - 8
B098 6647	End Fence:Auxiliary (B098)	53 - 37
B098 6649	Cover:Rear:Tandem LCT:Ass'y (B098)	53 - 15
B098 6666	Side Plate:Side:Ass'y (B098)	55 - 14
B098 6670	Base:Tandem LCT:Right:Ass'y (B098)	55 - 7
B098 6693	Shield:Frame:Paper Bank:Upper (B098)	141 - 25
B098 6695	Guide:Misfeed Removal:Paper Tray (B098)	59 - 20
B098 6712	End Fence:Guide:A4 (B098)	57 - 38
B098 6736	Side Fence:Tandem Lct:Right Front (B098)	55 - 6
B098 6738	Side Fence:Tandem LCT:Right Rear (B098)	55 - 10
B098 6739	Supporting Plate:Tandem:Right Rear (B098)	55 - 12
B098 6744	Inner Cover:Tandem LCT:Ass'y (B098)	55 - 2
B098 6776	Stay:Tandem LCT (B098)	141 - 10
B098 6804	Cover:Tandem LCT (B098)	53 - 1
B098 6810	Cover:Side Plate:Rear:Lower (B098)	127 - 34
B098 6811	Cover:Side Plate:Rear:No.2 (B098)	127 - 33
B098 6812	Cover:Side Plate:Rear:Sensor (B098)	127 - 32
B098 6813	Cover:Lift Motor:Lower (B098)	127 - 31
B098 6814	Shielding Plate:Motor:Bank:Lower (B098)	125 - 40

Part No.	Description	Page and Index No.
B098 6815	Shielding Plate:Rear:Left Lower (B098)	141 - 34
B098 6816	Cover:Gear (B098)	141 - 36
B098 6817	Cover:Solenoid:Tandem:Coupling (B098)	141 - 35
B098 7010	Model Name Plate:RIC:EXP (B098)	15 - 24
B098 7011	Model Name Plate:NAS (B098)	15 - 24
B098 7012	Model Name Plate:REX (B098)	15 - 24
B098 7013	Model Name Plate:GES (B098)	15 - 24
B098 7014	Model Name Plate:INF (B098)	15 - 24
B098 7015	Model Name Plate:LAN (B098)	15 - 24
B098 7207	Operating Instructions:Copy:English (B098)	183 - 35
B098 7552	PCB:BICU:NA:Ass'y (B098)	43 - 18
B098 7552	BICU Board (NA) (B098)	175 - *
B098 7562	PCB:BICU:EU:Ass'y (B098)	43 - 18
B098 7562	BICU Board (EU) (B098)	175 - *
B098 7604	Harness:IC:LAN (B098)	43 - 16
B098 7607	Harness:IC:EXP (B098)	43 - 16
B098 7651	Harness:AC:Main:EU (B098)	135 - 10
B098 8607	Operating Instructions:SYS:English (B098)	183 - 37
B098 9870	Aficio 551/700/1055 Parts Catalog (RIC)	183 - 42
B301 1134	Anti-static Brush	39 - 16
B301 1136	Spring Plate - 0.4mm	39 - 5
B301 1137	Pulley Cover	39 - 15
B301 1141	Rubber Cushion	37 - 16
B301 1141	Rubber Cushion	29 - 29
B301 1155	Separation Support Pad	25 - 37
B301 1156	Separation Pad Holder	25 - 34
B301 1170	Turn Guide Plate	23 - 35
B301 1188	Sensor Bracket	23 - 16
B301 1191	Pull-out Driven Roller	23 - 13
B301 1192	Bushing - 4x6x6	23 - 39
B301 1195	Gear - 19Z	23 - 15
B301 1198	Pull-out Driven Roller - Front	23 - 37
B301 1247	Entrance Guide	27 - 25
B301 1286	Bushing - 6x10x6	25 - 3
B301 1314	Pick-up Roller Bracket	25 - 17

Part No.	Description	Page and Index No.
B301 1351	Original Feeler	23 - 19
B301 1412	Transport Belt Plate	29 - 13
B301 1422	Transport Stay	29 - 24
B301 1427	Spring	29 - 19
B301 1432	Belt Drive Roller	29 - 2
B301 1436	Transport Belt Roller	29 - 23
B301 1441	Transport Belt	29 - 1
B301 1443	Transport Belt Stopper - Front	29 - 4
B301 1444	Transport Belt Stopper - Rear	29 - 5
B301 1445	Rear Spacer	29 - 12
B301 1447	Stepped Screw	29 - 20
B301 1449	Front Spacer	29 - 28
B301 1451	Belt Pressure Roller	29 - 3
B301 1481	Belt Pressure Roller	29 - 9
B301 1491	Tension Bracket	29 - 21
B301 1510	Left Hinge	39 - 9
B301 1520	Right Hinge	39 - 11
B301 1543	Sensor Bracket	39 - 1
B301 1631	Rear Side Plate	39 - 3
B301 1633	Right Stay	39 - 10
B301 1716	Cover:Front (B098)	21 - 4
B301 1721	Rear Cover (A292/A293)	21 - 6
B301 1726	Cover:Rear:Ass'y (B098)	21 - 6
B301 1751	Paper Feed Cover (A292/A293)	23 - 1
B301 1756	Cover:Paper Feed:Ass'y (B09817)	23 - 1
B301 1786	Cover:Exit (B098)	21 - 14
B301 1796	Cover:Original Table:Lower (B098)	21 - 5
B301 1826	Original Table:Printing (B098)	21 - 1
B301 1835	Original Holder	21 - 23
B301 1856	Base:Original Table:Ass'y (B098)	23 - 23
B301 1876	Side Fence:Table:Ass'y (B098)	23 - 17
B301 1926	Cover:Right (B098)	31 - 20
B301 2111	Pulley - 30Z	37 - 34
B301 2113	Pulley - 19Z	37 - 28
B301 2122	Shaft	35 - 11

Part No.	Description	Page and Index No.
B301 2123	Pulley - 24Z	35 - 32
B301 2141	Pulley - 39Z	35 - 39
B301 2172	Cushion	37 - 26
B301 2211	Pulley - 20/19Z	35 - 13
B301 2213	Pulley - 20Z	35 - 12
B301 2221	Gear - 31Z	25 - 39
B301 2222	Gear - 20Z	35 - 41
B301 2231	Pulley - 58/20Z	37 - 38
B301 2242	Shaft	35 - 18
B301 2243	Gear - 29Z	35 - 25
B301 2244	Gear - 23Z	35 - 24
B301 2261	Pulley - 36Z	35 - 22
B301 2271	Shaft	35 - 30
B301 2273	Pulley - 32Z	35 - 28
B301 2281	Tension Bracket	35 - 15
B301 2319	Heat Sink - DC Motor	37 - 41
B301 2320	Heat Sink Holder	37 - 42
B301 2327	Holder Bracket	37 - 30
B301 2336	Side Plate	35 - 37
B301 2367	Motor Bracket	35 - 2
B301 2371	Motor Bracket	37 - 40
B301 2376	Tension Bracket	37 - 37
B301 2422	Cam - Pick-up Roller	35 - 20
B301 2511	Reverse Roller Shaft	25 - 38
B301 2610	Bearing - 6x15x5	37 - 31
B301 3132	Lower Guide Plate	31 - 11
B301 3135	Spring	31 - 6
B301 3161	Left Exit Guide	31 - 3
B301 3181	Invertor Guide Plate	33 - 7
B301 3184	Reverse Driven Roller	33 - 5
B301 3184	Reverse Driven Roller	31 - 9
B301 3185	Driven Roller Shaft	31 - 23
B301 3185	Driven Roller Shaft	33 - 23
B301 3186	Spring	33 - 4
B301 3191	Exit Junction Gate	33 - 15

Part No.	Description	Page and Index No.
B301 3192	Lever - Exit Junction Gate	33 - 22
B301 3246	Motor Bushing - 4x9x5.2	37 - 43
B301 3271	Reverse Drive Roller	33 - 12
B301 3286	Pulley - 30Z	33 - 24
B301 3341	Exit Motor Bracket	37 - 3
B301 3345	Exit Motor Guide Plate	37 - 2
B301 4211	Spring	23 - 10
B301 4222	Spring	23 - 38
B301 4226	Spring	27 - 11
B301 4316	Decal: Misfeed Removal (B09817)	23 - 2
B301 4336	Decal: Size: Original (B098)	23 - 4
B301 4351	Caution Decal	23 - 40
B301 4351	Caution Decal	183 - 32
B301 4411	Noise Reduction Pad	21 - 22
B301 4412	Acoustic Material	39 - 13
B301 4413	Noise Absorbing Pad	31 - 8
B301 4413	Noise Absorbing Pad	27 - 19
B301 4414	Acoustic Material	37 - 47
B301 4421	Noise Reduction Pad - Right	23 - 6
B301 4422	Noise Reduction Pad - Left	23 - 7
B301 4425	Noise Reduction Pad	21 - 21
B301 4431	Vibration Absorbing Pad	29 - 10
B301 5310	DC Relay Harness	27 - 26
B301 5340	DF Harness	37 - 17
B301 5370	DC Harness	37 - 24
B301 5385	Relay Harness	37 - 19
B301 5390	Relay Harness	37 - 46
B301 5400	DC Harness	37 - 20
B301 5405	DC Relay Harness	23 - 8
B301 5430	DC Harness	37 - 21
B301 5450	DC Harness	37 - 23
B301 5455	DC Relay Harness	31 - 22
B301 5460	DC Relay Harness	37 - 15
B301 5475	Grounding Wire	37 - 13
B301 5480	DF Position Sensor Harness	39 - 14

Part No.	Description	Page and Index No.
B301 5480	Df Position Sensor Harness	37 - 44
B301 5520	ADF Main Control Board	37 - 22
B301 5562	IC - UVEPROM 27C 1M X8 120NS	37 - 10
B301 5600	DC Motor - 54W	37 - 25
B477 4311	Decal - Original Base (B098)	23 - 25
B477 4431	Decal - Original Table (B098)	21 - 2
B477 4431	Decal - Original Table (B098)	183 - 14
C201 5125	Stepped Screw - M6	137 - 15
C225 2866	Decal - Keytop Cover (REX)(A292/A293)	19 - 30
C225 2867	Decal - Keytop Cover (NSA)(A292/A293)	19 - 30
G012 1531	Magnet	115 - 14
G012 1531	Magnet	21 - 15
G020 1903	Right Holder - BTL Lens	49 - 23
G020 1904	Left Holder - BTL Lens	49 - 22
G020 1906	Left Holder - F Theta Mirror	49 - 5
G020 1907	Right Holder - F Theta Mirror	49 - 7
G020 1968	F Theta Mirror	49 - 8
G020 3897	Discharge Brush - Transport	27 - 29
G029 1982	Decal - LD	43 - 1
G029 1982	Decal - LD	183 - 33
G065 4106	Thermostat (B098)	101 - 36
G564 4151	Rail - Side Fence (B098)	23 - 21
G619 4028	Slider Pressure Spring (A292/A293)	99 - 2
H053 1150	Stepped Screw - Locking	95 - 32
H053 2208	Bushing - M4	123 - 20
H310 5071	Micro Switch V-5F936DN (B098)	125 - 39

Part No.	Description	Page and Index No.
N803 1000	Case - Flash Memory Card	185 - 3
N803 6701	Flash Memory Card-4Mb	185 - 4

Part No.	Description	Page and Index No.
AA00 0059	Caution Decal - English	17 - 13
AA00 0059	Caution Decal - English	183 - 18
AA00 0213	Decal - Universal Tray	183 - 19
AA00 0213	Decal - Universal Tray (A292/A293)	59 - 9
AA00 0540	Decal - Misfeed Removal (A292/A293)	15 - 14
AA00 0540	Decal - Misfeed Removal	183 - 20
AA00 1213	Decal - B2	183 - 21
AA00 1213	Decal - B2	75 - 3
AA00 1326	Decal - A1	69 - 6
AA00 1326	Decal - A1	183 - 22
AA00 1394	Decal - Toner Supply	77 - 36
AA00 1394	Decal - Toner Supply	183 - 23
AA00 2010	Decal - Paper Level	61 - 11
AA00 2010	Decal - Paper Level	59 - 28
AA00 2010	Decal - Paper Level	183 - 24
AA00 2010	Decal - Paper Level	55 - 15
AA00 2010	Decal - Paper Level	53 - 13
AA00 2096	Decal - Size Indication (A292/A293)	183 - 34
AA00 2237	Decal - Paper Tray No1	183 - 25
AA00 2237	Decal - Paper Tray No1 (A292/A293)	53 - 2
AA00 2238	Decal - Cover No.2	183 - 26
AA00 2238	Decal - Cover No.2 (A292/A293)	59 - 1
AA00 2239	Decal - Cover No.3 (A292/A293)	61 - 1
AA00 2239	Decal - Cover No.3	183 - 27
AA00 2244	Decal - Paper Set - Left	53 - 6
AA00 2244	Decal - Paper Set - Left	183 - 28
AA00 2245	Decal - Paper Set - Right	183 - 29
AA00 2245	Decal - Paper Set - Right (A292/A293)	55 - 5
AA00 2246	Decal - Caution	183 - 30
AA00 2246	Decal - Caution	55 - 3
AA00 2251	Paper Size Decal - LT (A292/A293)	59 - 10
AA00 2251	Paper Size Decal - LT	183 - 31
AA00 2252	Paper Size Decal - A4 (A292/A293)	59 - 10
AA00 2252	Paper Size Decal - A4	183 - 31
AA00 2259	Decal:Paper Size Sensor:EU (B098)	59 - 10

Part No.	Description	Page and Index No.
AA00 2260	Decal:Paper Set:Tandem Tray	55 - 5
AA00 2261	Decal - Universal Tray (B098)	59 - 9
AA00 3201	Decal:Cover:Paper Tray:No.1 (B098)	53 - 2
AA00 3202	Decal:Cover:Paper Tray:No.2 (B098)	59 - 1
AA00 3203	Decal:Cover:Paper Tray:No.3 (B098)	61 - 1
AA00 3204	Decal: Misfeed Removal (B098)	15 - 14
AA01 0108	Ozone Filter (A292/A293)	17 - 7
AA01 0116	Ozone Filter:Rear (B098)	17 - 7
AA01 2060	Development Filter	81 - 7
AA01 2104	Air Filter - Large	79 - 3
AA01 2105	Air Dust Filter - Small	79 - 16
AA02 1025	Magnet Catch	111 - 1
AA02 1025	Magnet Catch	51 - 2
AA02 1026	Magnet Catch (A292/A293)	99 - 13
AA03 2041	Tonner Collection Bottle	17 - 11
AA04 3267	Timing Belt - 426P2M6	121 - 19
AA04 3269	Timing Belt - S2M114	119 - 7
AA04 3270	Timing Belt - 40DS2M420G	115 - 5
AA04 3271	Timing Belt S3M 196T	53 - 29
AA04 3277	Timeng Belt - 656P2M6	119 - 21
AA04 3284	Timing Belt - 300P3M6	121 - 20
AA04 3390	Timing Belt - 40S2M192	109 - 27
AA04 3487	Timing Belt - Reverse Roller	105 - 16
AA04 3488	Timing Belt - Front Drive	111 - 9
AA04 3489	Rear Timing Belt - Driven	107 - 5
AA04 3533	Timing Belt - B0S2M256	37 - 32
AA04 3534	Timing Belt - B60S3M216	35 - 31
AA04 3535	Timing Belt - B60S3M195	35 - 27
AA04 3536	Timing Belt - B60S3M279	35 - 23
AA04 3537	Timing Belt - B40S2M206	35 - 38
AA04 3538	Timing Belt - B60S3M174	37 - 45
AA04 3539	Timing Belt - B40S2M104	37 - 5
AA04 3546	Timing Belt - B60S2M474	37 - 33
AA04 3547	Timing Belt - B40S3M213	33 - 17
AA04 3547	Timing Belt - B40S3M213	37 - 7

Part No.	Description	Page and Index No.
AA04 3548	Timing Belt - B40S3M150	31 - 14
AA04 3549	Timing Belt - 660P3M6530	125 - 23
AA04 3550	Timing Belt - 756P3M6530	125 - 38
AA04 3573	Timing Belt - 240P2M3	123 - 24
AA06 0221	Gripper Solenoid Spring	47 - 5
AA06 0291	Spring	79 - 8
AA06 0291	Spring	77 - 3
AA06 0517	Pick-up Release Spring	71 - 12
AA06 0518	Pick-up Pressure Spring	71 - 32
AA06 0523	Pick-up Pressure Spring	65 - 9
AA06 0524	Tension Spring - 24.8mm	125 - 27
AA06 0534	Tray Lock Spring - 19mm	141 - 7
AA06 0539	Stripper Pawl Spring	99 - 12
AA06 0541	Bushing Lock Spring	139 - 2
AA06 0575	Release Spring	67 - 16
AA06 0577	Release Spring	63 - 23
AA06 0590	Pressure Spring	37 - 39
AA06 0590	Pressure Spring	37 - 29
AA06 0590	Pressure Spring	35 - 14
AA06 0636	Pressure Spring	67 - 13
AA06 0717	Tension Spring	115 - 3
AA06 0718	Tension Spring	117 - 2
AA06 0719	Tension Spring - 9.34N	121 - 16
AA06 0720	Tension Spring - 7.75N	119 - 6
AA06 0722	Tension Spring	123 - 21
AA06 0728	Tension Spring	105 - 13
AA06 0729	Tension Spring	105 - 2
AA06 0730	Tension Spring	105 - 8
AA06 0739	Tension Spring (A292/A293)	101 - 17
AA06 0742	Tension Spring	111 - 7
AA06 0743	Tension Spring	109 - 18
AA06 0757	Tension Spring - Long	57 - 11
AA06 0758	Tension Spring - Short	57 - 15
AA06 0759	Tension Spring	53 - 22
AA06 0761	Spring	141 - 4

Part No.	Description	Page and Index No.
AA06 0763	Tension Spring	47 - 14
AA06 0764	Tension Spring	109 - 24
AA06 0835	Tension Spring	109 - 6
AA06 0914	Stripper Pawls Spring (B098)	99 - 23
AA06 0926	Tension Spring:Pressure Roller:195n (B098)	101 - 17
AA06 2251	Spring - Large	127 - 27
AA06 2252	Spring - Small	127 - 26
AA06 2284	Pressure Spring	85 - 28
AA06 3052	Turret Spring	135 - 24
AA06 3068	Spring Connector	121 - 33
AA06 3068	Spring Connector	131 - 12
AA06 3164	Spring - Pressure - Separator	73 - 25
AA06 3248	Charge Terminal Spring	85 - 14
AA06 3249	Grid Terminal Spring	85 - 15
AA06 3254	Driven Roller Spring	73 - 3
AA06 3255	Exit Roller Spring	75 - 16
AA06 3268	Connector Spring	125 - 35
AA06 3268	Connector Spring	127 - 16
AA06 3294	Pressure Spring	97 - 13
AA06 3309	Compression Spring	95 - 2
AA06 3310	Guide Plate Spring	95 - 28
AA06 3315	Spring - Belt Drive Shaft	25 - 31
AA06 3366	Chuck Spring	77 - 24
AA06 3375	Spring - 24.3mm	125 - 3
AA06 3384	Pick-off Pawl Shaft Spring	91 - 16
AA06 3487	Spring - 10mm	67 - 20
AA06 3487	Spring - 10mm	69 - 13
AA06 3490	Spring - 21.6mm	119 - 15
AA06 3531	Pressure Spring - 12mm	93 - 13
AA06 3575	Toner Bottle Spring	77 - 27
AA06 3577	Compression Spring	113 - 14
AA06 3578	Compression Spring	117 - 8
AA06 3579	Compression Spring	105 - 11
AA06 3580	Compression Spring	105 - 22
AA06 3581	Compression Spring	103 - 22

Part No.	Description	Page and Index No.
AA06 3582	Compression Spring	107 - 6
AA06 3591	Cleaning Blade Spring	89 - 27
AA06 3604	Pressure Spring	121 - 14
AA06 3609	Spring - Tandem LCT	127 - 6
AA06 3610	Blade Spring - Swivel 4060mn	89 - 5
AA06 6211	Rear Lock Spring	75 - 9
AA06 6213	Feeler Spring	71 - 21
AA06 6214	Front Pawl Spring	91 - 19
AA06 6215	Rear Pawl Spring	91 - 20
AA06 6218	Unit Release Spring	139 - 17
AA06 6223	Grip Spring	109 - 10
AA06 6232	Lock Lever Spring	101 - 12
AA06 6306	Lever Spring	135 - 5
AA06 6309	Torsion Spring	119 - 18
AA06 6551	Stopper Spring - 24mm	59 - 6
AA07 0044	Slide Rail - Tandem LCT	141 - 9
AA08 0034	Bushing - 4x5x7	105 - 10
AA08 0034	Bushing - 4x5x7	75 - 15
AA08 0034	Bushing - 4x5x7	113 - 13
AA08 0037	Bushing - 6mm	73 - 8
AA08 0147	Front Bushing	85 - 4
AA08 0148	Rear Bushing	85 - 10
AA08 0152	Bushing - 4x12x13	83 - 9
AA08 0154	Rear Bushing	89 - 16
AA08 0155	Rear Pawl Bushing	91 - 23
AA08 0156	Bushing - M4	67 - 19
AA08 0158	Bushing - 12x16x12.1	139 - 21
AA08 0184	Bushing - Fusing Exit	99 - 6
AA08 0187	Bushing - MM6	123 - 15
AA08 0240	Bushing - Mm5	117 - 7
AA08 0241	Bushing - M4	69 - 12
AA08 0308	Bushing - 8mm	109 - 16
AA08 2045	Cleaning Brush Bushing	89 - 14
AA08 2046	Bushing - 6x12x6	105 - 3
AA08 2058	Bushing - 6x10x9mm	117 - 6

Part No.	Description	Page and Index No.
AA08 2058	Bushing - 6x10x9mm	113 - 4
AA08 2058	Bushing - 6x10x9mm	115 - 8
AA08 2059	Agitator Bushing	89 - 13
AA08 2070	Bushing - 8x16x7	65 - 6
AA08 2070	Bushing - 8x16x7	105 - 26
AA08 2094	Bushing - Brush Roller	89 - 18
AA08 2095	Bushing - Toner Collection Coil	89 - 21
AA08 3009	Clutch Roller - 8x18x11	65 - 11
AA10 0006	Nut - M3.6	15 - 17
AA12 0032	Antistatic Brush	21 - 10
AA12 0032	Antistatic Brush	31 - 16
AA13 2013	Spacer	25 - 32
AA13 2024	Spacer - M6	89 - 6
AA13 2024	Spacer - M6	125 - 2
AA13 2024	Spacer - M6	77 - 33
AA13 2024	Spacer - M6	121 - 13
AA13 2024	Spacer - M6	99 - 8
AA13 2024	Spacer - M6	95 - 6
AA13 2025	Spacer - 1x8x12	71 - 30
AA13 2152	Spacer - 8x20x1	35 - 9
AA13 2171	Spacer - 6x20x1	25 - 24
AA13 2174	Spacer - M8	45 - 6
AA13 2203	Spacer - 6mm	57 - 37
AA13 4092	Flange - Fly Wheel	121 - 1
AA14 0486	Lock Shaft	75 - 7
AA14 0504	Release Lever Shaft	109 - 14
AA14 0675	Feed Roller Shaft	65 - 10
AA14 0684	Feed Shaft (A292/A293)	71 - 19
AA14 0685	Shaft - Back Fence Slider	53 - 25
AA14 0686	Shaft - Timing Pulley	53 - 20
AA14 0835	Shaft:Feed (B098)	71 - 19
AA14 3020	Stepped Screw - M4	31 - 1
AA14 3037	Development Cover Screw (A292/A293)	99 - 19
AA14 3037	Development Cover Screw	103 - 5
AA14 3039	Spring Holder	39 - 6

Part No.	Description	Page and Index No.
AA14 3074	Stepped Screw - M4x5	27 - 1
AA14 3183	Stepped Screw	111 - 2
AA14 3307	Stepped Screw - M3	103 - 25
AA14 3379	Stepped Screw	37 - 35
AA14 3394	Stepped Screw - M3x10	91 - 4
AA14 3396	Screw - M4X4	69 - 23
AA14 3416	Stepped Screw - M4x3	17 - 26
AA14 3417	Shoulder Screw - M4x4 (A292/A293)	41 - 7
AA14 3420	Stepped Screw - M4x5	105 - 5
AA14 3426	Stopped Screw - M4x17	83 - 6
AA14 3483	Stepped Screw	127 - 4
AA14 3499	Stepped Screw	135 - 26
AA14 3520	Shoulder Screw - M3 (B098)	41 - 7
AA14 3520	Shoulder Screw - M3 (B098)	41 - 1
AA14 3758	Setepped Screw	77 - 21
AA14 5817	Idler Shaft - Toner Bottle	77 - 5
AA14 8578	Shaft - Cleaning Drive	121 - 12
AA14 8579	Shaft - Transport Slide	121 - 8
AA14 9746	Stripper Shaft (B098)	99 - 24
AA15 0350	Seal - 40x130	87 - 2
AA15 0361	Slitter Cover Seal	79 - 15
AA15 0704	Seal - 90x29.5x0.2	41 - 20
AA15 1770	Middle Duct Seal	123 - 2
AA15 1771	Seal - 5x10x138	131 - 7
AA15 1775	Seal - Fan	131 - 5
AA15 1775	Seal - Fan	129 - 1
AA15 1775	Seal - Fan	139 - 30
AA15 1792	Seal - 3x15x85	79 - 11
AA15 1794	Seal - 3x5x322	79 - 10
AA15 1814	Joint Seal - 21x32x10	123 - 10
AA15 2315	Tank Seal	17 - 2
AA15 2431	Front Drum Seal	91 - 5
AA15 2696	Duct Seal	17 - 4
AA15 2697	Shield - Duct Cover	17 - 10
AA15 3004	Paper Guide Seal - 3	59 - 21

Part No.	Description	Page and Index No.
AA15 3005	Paper Guide Seal - 2	61 - 17
AA15 3063	Seal - 4x10x70	55 - 13
AA15 3085	Inner Case Seal	91 - 3
AA15 3088	Cleaning Entrance Seal - 3x345x2	91 - 26
AA15 3099	Lower Side Plate Seal	81 - 15
AA15 3105	Duct Seal	139 - 7
AA15 3107	Seal - 241x8x5	139 - 9
AA15 3108	Seal - 128x8x5	139 - 8
AA15 3109	Shiel - Vacuum Fan Duct	131 - 1
AA15 3110	Duct Shield - Exhaust Fan	129 - 24
AA15 3111	Seal - 104x2x3	139 - 12
AA15 3112	Seal - 331x2x3	139 - 14
AA15 3113	Seal - 41x5x3	139 - 15
AA15 3114	Sheal - Rear Duct	129 - 3
AA15 3115	Sheal - Drum Cooling Duct	123 - 3
AA15 3119	Sponge 1 - Lower Right Cover	17 - 37
AA15 3120	Sponge 2 - Lower Right Cover	17 - 33
AA15 3121	Sponge 1 - Upper Left Cover	17 - 32
AA15 3124	Sponge 4 - Upper Left Cover	17 - 35
AA15 3127	Seal - 485mm	15 - 20
AA15 3128	Upper Cover Seal	17 - 34
AA15 3138	Inner Cover Cushion - Right Rear	55 - 16
AA16 1104	Cushion - Motor	125 - 24
AA16 1104	Cushion - Motor	121 - 24
AA16 1104	Cushion - Motor	131 - 20
AA16 1104	Cushion - Motor	47 - 3
AA16 1105	Cleaner Cushion	85 - 9
AA16 1119	Cushion - Wire	85 - 22
AA16 1125	Rubber Cushion	135 - 3
AA16 1129	Cushion - Large	57 - 33
AA16 1130	Cushion - Small	57 - 8
AA16 1137	Cushion - 0.5	41 - 16
AA16 1138	Cushion - 1.1	29 - 18
AA16 1138	Cushion - 1.1 (A292/A293)	41 - 26
AA17 2012	Heat Shielding Sheet (A292/A293)	101 - 5

Part No.	Description	Page and Index No.
AA17 2013	Heater Cover	139 - 25
AB01 0087	Gear - 20Z	85 - 24
AB01 0333	Gear - 26Z	93 - 2
AB01 0334	Gear - 34Z	95 - 14
AB01 0335	Gear - 22/48Z	95 - 15
AB01 0336	Gear - 22/36Z	95 - 13
AB01 0340	Gear - 30Z	89 - 22
AB01 1128	Gear - 40Z	75 - 22
AB01 1129	Gear - 45Z	125 - 4
AB01 1391	Driven Reverse Gear - 21Z	67 - 8
AB01 1392	Drive Reverse Gear - 24Z	67 - 9
AB01 2002	Gear - 13Z	121 - 11
AB01 2019	Gear - 25Z	123 - 29
AB01 2020	Gear - 28Z	123 - 30
AB01 2316	Fusing Gear (B098)	101 - 10
AB01 2317	Fusing Drive Gear (B098)	101 - 28
AB01 3000	Idler Gear - 18Z	63 - 13
AB01 3492	Gear - 16Z (A292/A293)	51 - 16
AB01 3729	Gear - 18Z	73 - 15
AB01 3747	Gear - 16Z	79 - 6
AB01 3748	Joint Gear - 15Z	79 - 9
AB01 3749	Gear - 15Z	79 - 5
AB01 3773	Gear - 18Z	73 - 14
AB01 3775	Gear - 33Z	63 - 22
AB01 3776	Gear - 30Z	67 - 11
AB01 3778	Gear - 32Z	63 - 20
AB01 3780	Gear	63 - 19
AB01 3781	Gear - 30Z	127 - 15
AB01 3781	Gear - 30Z	57 - 4
AB01 3785	Gear - 43Z	81 - 1
AB01 3786	Gear - 18Z	81 - 9
AB01 3788	Gear - 23Z	81 - 8
AB01 3790	Gear - 25Z	81 - 10
AB01 3792	Gear - 49Z (A292/A293)	101 - 10
AB01 3793	Gear - 19Z	99 - 4

Part No.	Description	Page and Index No.
AB01 3794	Gear - Fusing Exit	99 - 5
AB01 3798	Gear - Z18	53 - 17
AB01 3846	Gear - 28Z	123 - 16
AB01 4069	Drive Gear - Misfeed Removal	63 - 12
AB01 4075	Exit Gear - 29Z	115 - 1
AB01 4077	Registration Roller Gear	71 - 31
AB01 4078	Drive Gear - 51Z	107 - 7
AB01 4080	Idler Gear - 28/40Z	107 - 14
AB01 4081	Idler Gear - 29Z	107 - 8
AB01 4082	Reversal Idler Gear - 31Z	107 - 9
AB01 4083	Reversal Roller Gear - 23Z	109 - 25
AB01 4084	Idler Gear - 31Z	107 - 12
AB01 4085	Idler Gear - 18/52Z	109 - 20
AB01 4086	Gear - 27Z	111 - 21
AB01 4087	Gear - 31Z	111 - 22
AB01 4088	Gear - 33Z	111 - 23
AB01 4089	Side Fence Gear	111 - 14
AB01 4094	Side Fence Gear	59 - 24
AB01 4132	Side Fence Gear	59 - 23
AB01 4158	Gear - 27/28Z	69 - 26
AB01 4163	Drive Gear - Transfer Belt	121 - 31
AB01 4175	Gear - 50Z	93 - 8
AB01 4176	Cam Gear - 37Z	95 - 31
AB01 5014	Toner Recycling Gear - 10Z	123 - 12
AB01 7288	Cam Gear - 35Z	89 - 23
AB01 7289	Gear - 17/45Z	125 - 12
AB01 7296	Gear - 30/47Z	89 - 20
AB01 7357	Gear - 31Z (A292/A293)	101 - 28
AB01 7449	Gear - 21Z/24T	119 - 8
AB01 7465	Timing Pulley - 41Z 24Z	115 - 4
AB01 7466	Gear - Z46/Z32	123 - 18
AB01 7467	Gear - 31Z/30T	123 - 25
AB01 7468	Idler Gear - 30Z	107 - 3
AB01 7469	Timing Pulley Gear	107 - 4
AB01 7473	Gear - 32Z	121 - 9

Part No.	Description	Page and Index No.
AB01 9475	Gear - 48T	53 - 21
AB03 0354	Pulley - 20T	37 - 27
AB03 0427	Pulley - 81Z	119 - 11
AB03 0431	Transport Pulley	111 - 8
AB03 0573	Pulley - 102Z (A292/A293)	119 - 22
AB03 0577	Timing Pulley - 20Z	115 - 6
AB03 0578	Timing Pulley - 18Z	117 - 4
AB03 0579	Timing Pulley - 27Z	113 - 3
AB03 0580	Timing Pulley - 27Z	115 - 9
AB03 0583	Timing Pulley - 24Z	109 - 26
AB03 0583	Timing Pulley - 24Z	111 - 4
AB03 0644	Pulley - Clening Drive	121 - 5
AB03 0657	Timing Pulley - 65T	47 - 19
AB03 0663	Pulley	105 - 27
AB03 0667	Timing Pulley - 32T	127 - 10
AB03 0668	Pulley - 34Z	127 - 28
AB03 0720	Toner Recycling Pulley 50T	121 - 28
AB03 0753	Pulley:T81 (B098)	119 - 22
AB03 2058	Wire Pulley - M10	57 - 9
AB03 2716	Idle Pulley - M18	121 - 18
AB03 2717	Pulley - 26Z	47 - 2
AB03 2717	Pulley - 26Z	45 - 5
AB03 2719	Pulley - M10	57 - 7
AB03 2721	Pulley - M18	125 - 29
AB03 3084	Timing Pulley - 15T - Drive	53 - 31
AB03 3085	Timing Pulley - 15T Driven	53 - 24
AC01 2065	Exposure Glass - A3 T-3.2	41 - 5
AC01 5026	Shield Glass	49 - 19
AC03 0111	1st Mirror	49 - 33
AC03 0113	3rd Mirror	49 - 13
AC03 0114	2nd Mirror	49 - 34
AC03 5022	Rear Mirror Clamp - 1st Mirror	45 - 22
AD00 4091	Charge Corona Unit (A292/A293)	85 - 2
AD00 4099	Charge Corona:Ass'y (B098)	85 - 2
AD02 0053	Charge Corona Wire (A292/A293)	85 - 12

Part No.	Description	Page and Index No.
AD02 1128	Charge Corona Receptacle	87 - 4
AD02 2283	Front End Block	85 - 23
AD02 2285	Rear End Block	85 - 13
AD02 2306	Cover - Front End Block	85 - 21
AD02 2307	Cover - Rear End Block	85 - 16
AD02 3106	Charge Corona Casing	85 - 11
AD02 5022	Pick-off Pawl	91 - 18
AD02 7022	Wire:Charge Corona (B098)	85 - 12
AD03 9057	Cleaning Agitator	89 - 8
AD04 1056	Cleaning Blade	89 - 1
AD04 2039	Cleaning Brush	89 - 9
AD04 3032	Toner Collection Coil	125 - 7
AD04 3052	Transport Screw	123 - 11
AD04 3066	Toner Collection Coil	89 - 11
AE01 1044	Hot Roller (A292/A293)	101 - 23
AE01 1073	Hot Roller:Mm50 (B098)	101 - 23
AE02 2078	Pressure Roller	101 - 22
AE03 0017	Ball Bearing - 35x50x10	101 - 9
AE03 0018	Ball Bearing - 12x28x8	101 - 15
AE03 1024	Bushing - M4x7	97 - 8
AE03 1025	Bushing - Oil Supply Roller	97 - 15
AE03 2014	Bushing - 30x35x13.5	101 - 11
AE04 0016	Oil Supply Roller (A292/A293)	97 - 16
AE04 0051	Oil Supply Roller (B098)	97 - 16
AE04 2035	Oil Supply Cleaning Roller	97 - 14
AE04 2036	Cleaning Roller:Pressure Roller:Ass	97 - 9
AE04 2045	Oil Supply Cleaning Roller (A292/A293 230V)	97 - 14
AE04 2046	Cleaning Roller - Pressure Roller	97 - 9
AE04 4019	Hot Roller Stripper (A292/A293)	99 - 17
AE04 4043	Hot Roller Stripper (B098)	99 - 17
AF01 0073	Paper Tray Cap	61 - 19
AF01 3005	Bottom Plate Pad	59 - 13
AF01 3005	Bottom Plate Pad	61 - 9
AF01 6079	Left Rear Side Fence (A292/A293)	59 - 22
AF01 7021	End Fence (A292/A293)	61 - 6

Part No.	Description	Page and Index No.
AF01 7031	End Fence:Fix (B098)	61 - 6
AF02 0295	Vertical Driven Roller	69 - 11
AF02 0302	Lower Fusing Exit Roller	99 - 9
AF02 0422	Drive Transport Roller	75 - 11
AF02 0425	Drive Transport Roller - Grip	65 - 14
AF02 0426	Drive Transport Roller - LCT	65 - 13
AF02 0427	Entrance Decura Roller	117 - 14
AF02 0428	Exit Decura Roller	117 - 13
AF02 0429	Drive Reverse Roller	115 - 16
AF02 0432	Driven Roller	105 - 21
AF02 0435	Drive Roller (A292/A293)	109 - 4
AF02 0435	Drive Roller	111 - 12
AF02 0436	Middle Drive Roller	111 - 13
AF02 0494	Reversal Drive Roller	109 - 5
AF02 0496	Driven Roller	67 - 18
AF02 0497	Reverse Roller	105 - 19
AF02 0507	Drive Transport Roller	69 - 25
AF02 0508	Exit Drive Roller	113 - 8
AF02 0533	Duplex Roller	111 - 10
AF02 0580	Roller:Drive:Left:Right (B098)	109 - 4
AF02 2067	Guide Stopper Roller (A292/A293)	103 - 20
AF02 2077	Driven Roller	103 - 18
AF02 2105	Roller - Slide Rail	57 - 24
AF02 2110	Transport Driven Roller	73 - 19
AF02 2126	Exit Roller - Driven	113 - 15
AF02 2153	Roller:Pressure:Guide:Horizontal (B098)	103 - 20
AF03 0040	Pick-up Roller	65 - 4
AF03 0041	Pick-up Roller - Bypass Feed	71 - 14
AF03 1040	Feed Roller	65 - 5
AF03 1041	Feed Roller - Bypass Feed	71 - 16
AF03 2040	Separation Roller	67 - 3
AF03 2041	Separation Roller - Bypass Feed	73 - 5
AF04 0031	Driven Roller	115 - 20
AF04 0031	Driven Roller	113 - 7
AF04 0561	Fusing Exit Roller - Upper	99 - 16

Part No.	Description	Page and Index No.
AG05 0067	Knob - Transport Roller (A292/A293)	15 - 13
AG05 0093	Knob:Misfeed Removal (B098)	15 - 13
AG07 0004	Magnetic Catch	15 - 6
AH01 1004	Screw Stand (120V)(A292/A293)	141 - 18
AH01 1006	Stand Ass'y (230V)(A292/A293)	141 - 18
AH01 2015	Caster - 1470N (120V)	141 - 17
AH01 2016	Caster - G60 (230V)	141 - 17
AH01 2029	Caster:1470N (B098)	141 - 18
AH01 3008	Leveling Foot Guide (A292/A293)	141 - 32
AW01 0034	Original Width Sensor	41 - 17
AW01 0048	Photo Sensor - GP2A28N1	73 - 17
AW01 0049	Photo Reflection Sensor	63 - 5
AW01 0058	Photosensor	105 - 24
AW01 0079	Optics Sensor (A292/A293)	19 - 26
AW01 0093	Photo Reflection Sensor - PS-17ND1	23 - 36
AW01 0093	Photo Reflection Sensor - PS-17ND1	27 - 23
AW01 0093	Photo Reflection Sensor - PS-17ND1	31 - 2
AW02 0008	Photointerruptor	53 - 4
AW02 0056	Photointerruptor - EE-SX4235A-P1	127 - 7
AW02 0056	Photointerruptor - EE-SX4235A-P1	57 - 18
AW02 0056	Photointerruptor - EE-SX4235A-P1	71 - 26
AW02 0056	Photointerruptor - EE-SX4235A-P1	53 - 18
AW02 0056	Photointerruptor - EE-SX4235A-P1	123 - 27
AW02 0056	Photointerruptor - EE-SX4235A-P1	41 - 18
AW02 0056	Photointerruptor - EE-SX4235A-P1	63 - 3
AW02 0056	Photointerruptor - EE-SX4235A-P1	75 - 18
AW02 0056	Photointerruptor - EE-SX4235A-P1	125 - 14
AW02 0056	Photointerruptor - EE-SX4235A-P1	107 - 10
AW02 0075	Photointerruptor	39 - 7
AW02 0075	Photointerruptor	37 - 14
AW02 0075	Photointerruptor	35 - 17
AW02 0075	Photointerruptor	27 - 21
AW02 0075	Photointerruptor	23 - 27
AW02 0095	Photointerruptor	27 - 6
AW02 0104	Photointerruptor	27 - 5

Part No.	Description	Page and Index No.
AW02 0106	Photointerruptor	113 - 12
AW02 0106	Photointerruptor	115 - 13
AW02 0113	Photointerruptor	111 - 20
AW02 0126	Photointerruptor	103 - 14
AW02 0126	Photointerruptor	111 - 18
AW20 0005	Reed Switch	99 - 22
AW23 0006	Toner Density Sensor	81 - 13
AW31 0003	Toner End Sensor	79 - 18
AW33 0003	Drum Potential Sensor	87 - 13
AW50 0010	Push Switch (A292/A293)	125 - 32
AW50 0010	Push Switch	127 - 17
AW50 0012	Push Switch	127 - 23
AW50 0012	Push Switch	125 - 11
AW50 0028	Push Switch:Paper Size Sensor (B098)	125 - 32
AX04 0061	Cleaner Motor - DC 0.5W	85 - 25
AX04 0096	Stepping Motor - DC 18W	35 - 36
AX04 0107	DC Motor - 19.2W	53 - 16
AX04 0123	DC Motor - 1.7W	127 - 5
AX06 0121	DC Motor - 27W	37 - 1
AX06 0187	DC Motor - 22.7W	121 - 27
AX06 0188	DC Motor - 32W	119 - 20
AX06 0200	Polygon Mirror Motor (A292/A293)	43 - 8
AX06 0257	Polygon Mirror Motor:DC24V 24W (B098)	43 - 8
AX20 0093	Magnetic Clutch	119 - 26
AX20 0147	Magnetic Clutch	63 - 10
AX20 0150	Magnetic Clutch - 343mnm	75 - 24
AX20 0152	Magnetic Clutch	123 - 19
AX20 0173	Magnetic Clutch	35 - 29
AX20 0178	Magnetic Clutch	107 - 13
AX20 0202	Magnetic Clutch - Feed	63 - 9
AX20 0205	Magnetic Clutch (A292/A293)	71 - 28
AX20 0206	Magnetic Clutch (A292/A293)	107 - 1
AX20 0207	Magnetic Clutch	69 - 27
AX31 0035	Total Counter (A292/A293)	135 - 14
AX31 0039	Total Counter - 7FIG 24V (B098)	135 - 14

Part No.	Description	Page and Index No.
AX40 0047	Anticondensation Heater - 115V 15W	139 - 23
AX40 0048	Anticondensation Heater - 230V 15W	139 - 23
AX40 0063	Anti Condensation Heater - 120V 9W	43 - 4
AX40 0064	Anti Condensation Heater - 230V 9W	43 - 4
AX40 0069	Anticondensation Heater - 240V 18W	141 - 28
AX40 0070	Anticondensation Heater - 115V 15W	141 - 28
AX40 0111	Anticondensation Heater - 230V 18W	141 - 15
AX40 0112	Anticondensation Heater - 120V 18W	141 - 15
AX40 0162	Heater:120V:15W (B098)	139 - 23
AX40 0163	Heater:240V:15W (B098)	139 - 23
AX40 0164	Heater:120V:18W (B098)	141 - 28
AX40 0165	Heater:240V:18W (B098)	141 - 28
AX40 0166	Heater:120V:18W:Upper (B098)	141 - 15
AX40 0167	Heater:240V:18W:Upper (B098)	141 - 15
AX43 0034	Fusing Lamp - 550W 230V	101 - 24
AX44 0109	Fusing Lamp - 550W 115V	101 - 24
AX50 0071	Xenon Lamp - 7000 OLX	45 - 12
AX64 0082	Fan Motor - DC24V 1.8W	129 - 25
AX64 0083	Cooling Fan (A292/A293)	41 - 14
AX64 0110	Axial Fan - MM40 24V (A292/A293)	41 - 23
AX64 0123	Fan Motor - DC1.68W (B098)	41 - 14
AX64 0128	Fan Motor - DC 24V 1.44W(B098)	41 - 23
AZ00 0070	Power Supply Cord - 230V (A292/A293)	133 - 13
AZ24 0056	Power Supply Unit - 120V (A292/A293)	133 - 5
AZ24 0057	Power Supply Unit - 230V (A292/A293)	133 - 5
AZ24 0080	Power Supply Unit:NA (B098)	133 - 5
AZ24 0081	Power Supply Unit:EU (B098)	133 - 5
AZ30 0051	Power Pack	95 - 25
AZ32 0087	Power Pack	87 - 3
AZ50 0054	Inverter - Xenon Lamp	45 - 23

Part No.	Description	Page and Index No.
0313 0050B	Philips Pan Head Screw - M3x5	91 -105
0313 0050B	Philips Pan Head Screw - M3x5	81 -105
0313 0050B	Philips Pan Head Screw - M3x5	75 -105
0313 0050B	Philips Pan Head Screw - M3x5	105 -102
0313 0050B	Philips Pan Head Screw - M3x5	127 -107
0313 0050B	Philips Pan Head Screw - M3x5	101 -103
0313 0050B	Philips Pan Head Screw - M3x5	139 -103
0313 0060B	Philips Pan Head Screw - M3x6	47 -105
0313 0060B	Philips Pan Head Screw - M3x6	125 -103
0313 0060B	Philips Pan Head Screw - M3x6	51 -104
0313 0060B	Philips Pan Head Screw - M3x6	141 -101
0313 0060B	Philips Pan Head Screw - M3x6	71 -103
0313 0060B	Philips Pan Head Screw - M3x6	59 -108
0313 0080B	Philips Pan Head Screw - M3x8	53 -107
0313 0080B	Philips Pan Head Screw - M3x8	57 -108
0313 0120B	Philips Pan Head Screw - M3x12	57 -110
0313 0120B	Philips Pan Head Screw - M3x12	41 -109
0314 0040B	Philips Pan Head Screw - M4x4	89 -101
0314 0040B	Philips Pan Head Screw - M4x4	141 -110
0314 0060B	Philips Pan Head Screw - M4x6	101 -102
0314 0060B	Philips Pan Head Screw - M4x6	55 -101
0314 0060B	Philips Pan Head Screw - M4x6	99 -102
0314 0060B	Philips Pan Head Screw - M4x6	125 -102
0314 0060B	Philips Pan Head Screw - M4x6	73 -105
0314 0060B	Philips Pan Head Screw - M4x6	97 -103
0314 0060B	Philips Pan Head Screw - M4x6	139 -102
0314 0060B	Philips Pan Head Screw - M4x6	59 -106
0314 0060B	Philips Pan Head Screw - M4x6	71 -106
0314 0060B	Philips Pan Head Screw - M4x6	51 -101
0314 0060B	Philips Pan Head Screw - M4x6	141 -104
0314 0080B	Philips Pan Head Screw - M4x8	73 -103
0314 0080B	Philips Pan Head Screw - M4x8	101 -110
0314 0080B	Philips Pan Head Screw - M4x8	83 -103
0314 0080B	Philips Pan Head Screw - M4x8	61 -106
0314 0080B	Philips Pan Head Screw - M4x8	41 -107

Part No.	Description	Page and Index No.
0314 0080B	Philips Pan Head Screw - M4x8	47 -115
0314 0100B	Philips Pan Head Screw - M4x10	101 -108
0314 0300B	Philips Pan Head Screw - M4x30	41 -108
0344 0050F	Philips Truss Head Screw - M4x5	59 -104
0344 0050F	Philips Truss Head Screw - M4x5	61 -103
0353 0030B	Philips Truss Head Screw - M3x3	33 -103
0353 0040B	Screw - M3X4	41 -101
0353 0040B	Screw - M3X4	115 -102
0353 0050B	Philips Truss Head Screw - M3x5	35 -101
0353 0060B	Philips Pan Head Screw - M3x6	117 -104
0353 0060B	Philips Pan Head Screw - M3x6	41 -102
0353 0060B	Philips Pan Head Screw - M3x6	47 -107
0353 0060B	Philips Pan Head Screw - M3x6	43 -103
0353 0080B	Screw - M3X8	41 -103
0353 0080B	Screw - M3X8	43 -101
0354 0050B	Bind Screw - M4x5	121 -109
0354 0050B	Bind Screw - M4x5	119 -105
0354 0060B	Screw - M4X6	47 -108
0354 0060B	Screw - M4X6	105 -103
0354 0080B	Screw - M4X8	49 -104
0354 0080B	Screw - M4X8	47 -103
0354 0080B	Screw - M4X8	41 -105
0354 0080B	Screw - M4X8	43 -105
0413 0082B	Tapping Screw - M3x8	59 -102
0414 0082B	Binding Self Tapping Screw - M4x8	59 -103
0414 0082B	Binding Self Tapping Screw - M4x8	61 -102
0414 0082W	Tapping Screw With Flat Washer - M4x8	99 -103
0414 0102B	Tapping Screw M4 X 10	127 -115
0434 0060B	Pan Head Self-tapping Screw - M4x6	75 -101
0434 0060B	Pan Head Self-tapping Screw - M4x6	71 -101
0434 0060B	Pan Head Self-tapping Screw - M4x6	69 -102
0434 0060B	Pan Head Self-tapping Screw - M4x6	67 -101
0434 0060B	Pan Head Self-tapping Screw - M4x6	65 -101
0434 0060B	Pan Head Self-tapping Screw - M4x6	63 -101
0434 0060B	Pan Head Self-tapping Screw - M4x6	73 -101

Part No.	Description	Page and Index No.
0434 0060B	Pan Head Self-tapping Screw - M4x6	125 -105
0434 0060B	Pan Head Self-Tapping Screw - M4x6	57 -101
0434 0060B	Pan Head Self-tapping Screw - M4x6	55 -104
0434 0060B	Pan Head Self-tapping Screw - M4x6	53 -103
0434 0080	Tapping Screw - M4x8	107 -102
0434 0080B	Pan Head Self-tapping Screw - M4x8	141 -109
0434 0080B	Pan Head Self-tapping Screw - M4x8	109 -102
0434 0080B	Pan Head Self-tapping Screw - M4x8	127 -108
0434 0080B	Pan Head Self-tapping Screw - M4x8	137 -101
0434 0082W	Tapping Screw - M4x8	15 -103
0450 3006B	Tapping Screw - M3x6	103 -105
0450 3006B	Tapping Screw - M3x6	59 -110
0450 3008B	Tapping Screw - M3x8	77 -101
0450 3008B	Tapping Screw - M3x8	129 -106
0450 3008B	Tapping Screw - M3x8	51 -105
0450 3008B	Tapping Screw - M3x8	39 -101
0450 3008B	Tapping Screw - M3x8	123 -102
0450 3008B	Tapping Screw - M3x8	105 -105
0450 3008B	Tapping Screw - M3x8	121 -101
0450 3008B	Tapping Screw - M3x8	31 -103
0450 3008B	Tapping Screw - M3x8	15 -106
0450 3008B	Tapping Screw - M3x8	27 -108
0450 3008B	Tapping Screw - M3x8	99 -105
0450 3008B	Tapping Screw - M3x8	103 -107
0450 3008B	Tapping Screw - M3x8	17 -103
0450 3008B	Tapping Screw - M3x8	95 -102
0450 4008B	Tapping Screw - 4x8	139 -106
0450 4008B	Tapping Screw - 4x8	15 -101
0450 4008B	Tapping Screw - 4x8	81 -103
0450 4008B	Tapping Screw - 4x8	129 -105
0450 4008B	Tapping Screw - 4x8	61 -105
0450 4008B	Tapping Screw - 4x8	83 -101
0450 4008B	Tapping Screw - 4x8	23 -101
0450 4008B	Tapping Screw - 4x8	59 -105
0450 4008B	Tapping Screw - 4x8	103 -104

Part No.	Description	Page and Index No.
0450 4012B	Tapping Screw - M4x12	21 -103
0450 4016B	Tapping Screw - 4x16	127 -106
0451 3005B	Tapping Screw - M3x5	37 -108
0451 3006B	Tapping Screw - M3x6	135 -107
0451 3006B	Tapping Screw - M3x6	27 -105
0451 3006B	Tapping Screw - M3x6	19 -101
0451 3006B	Tapping Screw - M3x6	29 -105
0451 3006B	Tapping Screw - M3x6	49 -101
0451 3006B	Tapping Screw - M3x6	113 -104
0451 3008B	Tapping Screw - M3x8	133 -104
0451 3008B	Tapping Screw - M3x8	27 -103
0451 3008B	Tapping Screw - M3x8	31 -102
0451 3008B	Tapping Screw - M3x8	29 -102
0451 3008B	Tapping Screw - M3x8	129 -103
0451 3008B	Tapping Screw - M3x8	25 -101
0451 3008B	Tapping Screw - M3x8	33 -104
0451 3008B	Tapping Screw - M3x8	125 -108
0451 3008B	Tapping Screw - M3x8	37 -103
0451 3008B	Tapping Screw - M3x8	21 -101
0451 3008B	Tapping Screw - M3x8	131 -105
0451 3008B	Tapping Screw - M3x8	35 -102
0451 3012B	Tapping Screw With Washer - M3x12	27 -101
0451 3012B	Tapping Screw With Washer - M3x12	43 -102
0451 3012H	Tapping Screw - 3x12	17 -102
0451 3014B	Tapping Screw - M3-14	135 -101
0451 4006B	Tapping Screw - 4x6	29 -103
0451 4006B	Tapping Screw - 4x6	103 -102
0451 4006B	Tapping Screw - 4x6	37 -106
0451 4006B	Tapping Screw - 4x6	85 -105
0451 4006B	Tapping Screw - 4x6	107 -105
0451 4006B	Tapping Screw - 4x6	79 -104
0451 4006B	Tapping Screw - 4x6	109 -101
0451 4006B	Tapping Screw - 4x6	39 -104
0451 4006B	Tapping Screw - 4x6	111 -103
0451 4006B	Tapping Screw - 4x6	51 -102

Part No.	Description	Page and Index No.
0451 4008B	Philips Tapping Screw - M4x8	139 -101
0451 4008B	Philips Tapping Screw - M4x8	137 -103
0451 4008B	Philips Tapping Screw - M4x8	131 -101
0451 4008B	Philips Tapping Screw - M4x8	103 -101
0451 4008B	Philips Tapping Screw - M4x8	15 -105
0451 4008B	Philips Tapping Screw - M4x8	121 -110
0451 4008B	Philips Tapping Screw - M4x8 (B098)	141 -102
0451 4008B	Philips Tapping Screw - M4x8	141 -102
0451 4008B	Philips Tapping Screw - M4x8	127 -101
0451 4008B	Philips Tapping Screw - M4x8	69 -101
0451 4008B	Philips Tapping Screw - M4x8	123 -101
0451 4008B	Philips Tapping Screw - M4x8	37 -104
0451 4008B	Philips Tapping Screw - M4x8	115 -101
0451 4008B	Philips Tapping Screw - M4x8	93 -101
0451 4008B	Philips Tapping Screw - M4x8	77 -105
0451 4008B	Philips Tapping Screw - M4x8	49 -103
0451 4008B	Philips Tapping Screw - M4x8	135 -103
0451 4008B	Philips Tapping Screw - M4x8	133 -101
0451 4008B	Philips Tapping Screw - M4x8	51 -103
0451 4008B	Philips Tapping Screw - M4x8	23 -102
0451 4008B	Philips Tapping Screw - M4x8	41 -111
0451 4008B	Philips Tapping Screw - M4x8	129 -102
0451 4008B	Philips Tapping Screw - M4x8	119 -101
0451 4008B	Philips Tapping Screw - M4x8	97 -101
0451 4008B	Philips Tapping Screw - M4x8	85 -101
0451 4008B	Philips Tapping Screw - M4x8	125 -110
0451 4008B	Philips Tapping Screw - M4x8	113 -102
0451 4008B	Philips Tapping Screw - M4x8	117 -101
0451 4008H	Tapping Screw - 4x8	17 -101
0451 4008H	Tapping Screw - 4x8	21 -104
0451 4008W	Tapping Screw - M4x8	123 -103
0451 4010B	Tapping Screw - 4x10	49 -102
0451 4010B	Tapping Screw - 4x10	43 -104
0451 4012B	Tapping Screw - 4x12	121 -112
0451 4012Z	Tapping Screw M4x12 (B098)	121 -103

Part No.	Description	Page and Index No.
0451 4014B	Tapping Screw - M4x14	139 -108
0452 3006B	Tapping Screw - M3x6	91 -107
0452 3006B	Tapping Screw - M3x6	103 -103
0452 3006B	Tapping Screw - M3x6	99 -107
0452 3006B	Tapping Screw - M3x6	95 -104
0452 3006B	Tapping Screw - M3x6	57 -111
0452 3006W	Tapping Screw - 3x6	45 -106
0452 3008B	Tapping Screw - M3x8	91 -104
0452 3008B	Tapping Screw - M3x8	93 -102
0452 3008B	Tapping Screw - M3x8	59 -109
0452 3008B	Tapping Screw - M3x8	89 -102
0452 3008B	Tapping Screw - M3x8	87 -101
0452 3008W	Binding Self Tapping Screw - M3 X 8	79 -105
0452 3008Z	Bind Tapping Screw - M3x8	51 -106
0452 3010B	Tapping Bind Screw - M3x10	91 -101
0452 3010B	Tapping Bind Screw - M3x10	89 -103
0452 4008B	Binding Self Tapping Screw - M4x8	23 -104
0452 4008B	Binding Self Tapping Screw-M4x8	99 -103
0452 4008B	Binding Self Tapping Screw - M4x8	53 -109
0452 4008B	Binding Self Tapping Screw - M4x8	61 -101
0452 4008B	Binding Self Tapping Screw - M4x8	55 -103
0452 4008B	Binding Self Tapping Screw - M4x8	59 -101
0452 4016B	Tapping Bind Screw - M4x16	131 -104
0452 4016B	Tapping Bind Screw - M4x16	129 -101
0453 3006B	Tapping Screw - M3x6	87 -102
0453 3006B	Tapping Screw - M3x6	45 -102
0453 3006B	Tapping Screw - M3x6	109 -106
0453 3008B	Bind Tapping Screw - M3x8	107 -107
0453 4008B	Tapping Bind Screw - M4x8	141 -111
0453 4008Z	Tapping Screw - M4x8	97 -102
0573 0030E	Hexagon Headless Set Screw - M3x3	67 -104
0573 0040E	Hexagon Headless Set Screw - M3x4	51 -107
0574 0040B	Hexagon Headless Set Screw - M4x4	73 -107
0574 0040E	Hexagon Headless Set Screw - M4x4 (B098)	47 -116
0574 0040E	Hexagon Headless Set Screw - M4x4	121 -117

Part No.	Description	Page and Index No.
0574 0050E	Hexagon Headless Set Screw - M4x5	37 -102
0574 0050E	Hexagon Headless Set Screw - M4x5	121 -103
0623 0140E	Spring Pin - 3x14mm	119 -104
0632 0120G	Parallel Pin - 2x12	37 -107
0632 0120G	Parallel Pin - 2x12	25 -106
0632 0120G	Parallel Pin - 2x12	33 -102
0632 0120G	Parallel Pin - 2x12	35 -105
0632 0140G	Parallel Pin	23 -107
0632 0160G	Parallel Pin-m2x16	35 -107
0633 0140G	Parallel Pin - 3x14	93 -106
0633 0200G	Pin - M3x20	57 -102
0701 0030B	Flat Washer - M3	37 -105
0701 0030B	Flat Washer - M3	35 -106
0701 0040B	Flat Washer - M4	71 -109
0707 4050B	Bushing - 4 X5	47 -104
0707 4050B	Bushing - 4 X5	125 -111
0707 4050B	Bushing - 4 X5	121 -111
0707 4050B	Bushing - 4 X5	131 -102
0720 0025B	Retaining Ring - M2.5	85 -103
0720 0030B	Retaining Ring - M3	81 -106
0720 0030B	Retaining Ring - M3	23 -103
0720 0030B	Retaining Ring - M3	105 -104
0720 0030B	Retaining Ring - M3	117 -103
0720 0030B	Retaining Ring - M3	91 -103
0720 0030B	Retaining Ring - M3	83 -104
0720 0030B	Retaining Ring - M3	75 -103
0720 0030B	Retaining Ring - M3	29 -104
0720 0030B	Retaining Ring - M3	39 -102
0720 0030B	Retaining Ring - M3	27 -107
0720 0030B	Retaining Ring - M3	71 -102
0720 0030E	Retaining Ring - M3	99 -108
0720 0040B	Retaining Ring - M4	121 -104
0720 0040B	Retaining Ring - M4	57 -106
0720 0040B	Retaining Ring - M4	93 -104
0720 0040B	Retaining Ring - M4	107 -101

Part No.	Description	Page and Index No.
0720 0040B	Retaining Ring - M4	53 -104
0720 0040B	Retaining Ring - M4	105 -101
0720 0040B	Retaining Ring - M4	135 -105
0720 0040B	Retaining Ring - M4	75 -104
0720 0040B	Retaining Ring - M4	95 -103
0720 0040B	Retaining Ring - M4	99 -101
0720 0040B	Retaining Ring - M4	29 -101
0720 0040B	Retaining Ring - M4	31 -101
0720 0040B	Retaining Ring - M4	33 -101
0720 0040B	Retaining Ring - M4	63 -108
0720 0040B	Retaining Ring - M4	137 -102
0720 0040B	Retaining Ring - M4	67 -102
0720 0040B	Retaining Ring - M4	101 -105
0720 0040B	Retaining Ring - M4	35 -104
0720 0040B	Retaining Ring - M4	109 -105
0720 0040B	Retaining Ring - M4	77 -103
0720 0040B	Retaining Ring - M4	71 -105
0720 0040B	Retaining Ring - M4	73 -102
0720 0040B	Retaining Ring - M4	27 -102
0720 0040B	Retaining Ring - M4	135 -108
0720 0040B	Retaining Ring - M4	37 -101
0720 0040B	Retaining Ring - M4	79 -102
0720 0040B	Retaining Ring - M4	111 -102
0720 0040B	Retaining Ring - M4	125 -113
0720 0040B	Retaining Ring - M4	141 -103
0720 0040B	Retaining Ring - M4	83 -102
0720 0040B	Retaining Ring - M4	127 -102
0720 0040B	Retaining Ring - M4	113 -105
0720 0040B	Retaining Ring - M4	115 -103
0720 0040B	Retaining Ring - M4	117 -102
0720 0040B	Retaining Ring - M4	123 -105
0720 0040B	Retaining Ring - M4	23 -108
0720 0040B	Retaining Ring - M4	25 -102
0720 0040B	Retaining Ring - M4	89 -104
0720 0050E	Retaining Ring - M5	71 -108

Part No.	Description	Page and Index No.
0720 0060B	Retaining Ring - M6	65 -103
0720 0060B	Retaining Ring - M6	119 -103
0720 0060B	Retaining Ring - M6	25 -103
0720 0060B	Retaining Ring - M6	71 -104
0720 0060B	Retaining Ring - M6	75 -102
0720 0060B	Retaining Ring - M6	79 -106
0720 0060B	Retaining Ring - M6	111 -101
0720 0060B	Retaining Ring - M6	35 -103
0720 0060B	Retaining Ring - M6	109 -104
0720 0060B	Retaining Ring - M6	69 -104
0720 0060B	Retaining Ring - M6	121 -107
0720 0060B	Retaining Ring - M6	105 -107
0720 0060B	Retaining Ring - M6	57 -105
0720 0060B	Retaining Ring - M6	127 -104
0720 0060B	Retaining Ring - M6	23 -109
0720 0060B	Retaining Ring - M6	107 -104
0720 0060B	Retaining Ring - M6	47 -106
0720 0060B	Retaining Ring - M6	59 -107
0720 0060B	Retaining Ring - M6	63 -105
0720 0060B	Retaining Ring - M6	125 -112
0720 0060E	Retaining Ring - M6	71 -107
0720 0060E	Retaining Ring - M6	93 -105
0720 0060E	Retaining Ring - M6	45 -101
0725 0300E	Retaining Ring C - M30	101 -104
0727 0060B	Retaining Ring C - 6	79 -103
0727 0080G	Retaining Ring - M8	101 -106
0727 0090E	Retaining Ring C - M9	81 -104
0740 3008	Ball Bearing - 8x22x7	127 -105
0742 3808	Ball Bearing - 8x16x5	69 -105
0742 3808	Ball Bearing - 8x16x5	65 -102
0800 0072	Philips Pan Head Screw - M2.6x4	77 -102
0801 0146	Screw - M4X4	55 -106
0801 0146	Screw - M4X4	53 -105
0801 0149	Philips Pan Head Screw - M4x6	131 -108
0801 0149	Philips Pan Head Screw - M4x6	133 -107

Part No.	Description	Page and Index No.
0801 0149	Philips Pan Head Screw - M4x6	121 -113
0801 0149	Philips Pan Head Screw - M4x6	101 -111
0801 0153	Bind Screw - M6x32	135 -112
0801 0192	Bind Screw - M4x8 (B098)	61 -103
0801 0192	Bind Screw - M4x8 (B098)	59 -104
0802 5124	Tapping Screw - M3x8	15 -102
0803 0058	Stepped Screw	127 -109
0805 0072	CS Ring	77 -106
0805 0088	Retaining Ring - M6	63 -104
0805 0088	Retaining Ring - M6	65 -105
0805 3145	Ball Bearing - 6x12x4mm	67 -103
0805 3368	Ball Bearing - 8x16x5mm	47 -102
0807 3092	Spacer - 4x5x3	91 -106
0807 4146	Flat Washer - 6.3x18x1	113 -101
0807 5056	Washer - 8.1mm	101 -107
0807 7039	Spacer - M12	121 -105
0950 3005B	Philips Screw With Sprin Washer (B098)	101 -109
0951 3005B	Philips Screw With Flat Washer M3x5	101 -109
0951 3006B	Philips Screw With Flat Washer - M3x6	57 -107
0951 3006B	Philips Screw With Flat Washer - M3x6	81 -101
0951 3006B	Philips Screw With Flat Washer - M3x6	41 -104
0951 3006B	Philips Screw With Flat Washer - M3x6	91 -102
0951 3006B	Philips Screw With Flat Washer - M3x6	89 -105
0951 3006B	Philips Screw With Flat Washer - M3x6	45 -104
0951 3006B	Philips Screw With Flat Washer - M3x6	95 -101
0951 3008B	Philips Screw With Flat Washer - M3x8	93 -103
0951 3008B	Philips Screw With Flat Washer - M3x8	41 -106
0951 3008B	Philips Screw With Flat Washer - M3x8	61 -104
0951 3008B	Philips Screw With Flat Washer - M3x8	59 -111
0951 4006B	Philips Screw With Washer - M4x6	47 -109
0951 4006B	Philips Screw With Washer - M4x6	119 -106
0951 4006B	Philips Screw With Washer - M4x6	125 -101
0951 4006B	Philips Screw With Washer - M4x6	55 -105
0951 4006B	Philips Screw With Washer - M4x6	15 -104
0951 4006B	Philips Screw With Washer - M4x6	81 -107

Part No.	Description	Page and Index No.
0951 4006B	Philips Screw With Washer - M4x6	79 -101
0951 4006W	Philips Screw With Flat Washer - M4x6	97 -104
0951 4006W	Philips Screw With Flat Washer - M4x6	99 -104
0951 4006W	Philips Screw With Flat Washer - M4x6	101 -101
0951 4008B	Philips Screw With Washer - M4x8	141 -108
0951 4008B	Philips Screw With Washer - M4x8	119 -102
0951 4008B	Philips Screw With Washer - M4x8	53 -101
0951 4008B	Philips Screw With Washer - M4x8	81 -102
0951 4008B	Philips Screw With Washer - M4x8	121 -106
0951 4008B	Philips Screw With Washer - M4x8	55 -102
0951 4008W	Philips Screw With Flat Washer - M4x8	97 -105
0951 4010B	Philips Screw With Washer - M4x10	121 -108
0951 4010B	Philips Screw With Washer - M4x10	131 -110
0951 4010B	Philips Screw With Washer - M4x10	47 -101
0951 4010W	Philips Screw With Flatwasher - M4x10	87 -104
0951 4012B	Philips Screw With Flat Washer	121 -102
0951 4012W	Philips Screw With Washer - M4x12	141 -105
0951 4012W	Philips Screw With Washer - M4x12	125 -109
0951 5010B	Philips Screw With Washer - M5x10	21 -102
0954 3008B	Philips Screw - M3x8	45 -103
0954 4008B	Philips Screw - M4x8	45 -105
0965 3008B	Tapping Screw With Washer - M3x8	85 -102
0965 3008W	Tapping Screw With Flat Washer - M3x8	53 -108
0965 3008W	Tapping Screw With Flat Washer - M3x8	87 -107
0971 4006A	Philips Polycarbonate Screw - M4x6	85 -104
1101 0328	Connector Pin Contact	157 -101
1102 5301	Connector - 2P	153 -101
1102 5301	Connector - 2P	157 -102
1102 5302	Connector - 3P	153 -102
1102 5302	Connector - 3P	157 -103
1102 5305	Connector - 6P	157 -104
1102 5305	Connector - 6P	153 -103
1102 5310	Connector - 5P	145 -101
1102 5310	Connector - 5P	149 -101
1102 5325	Connector - 2P	153 -104

Part No.	Description	Page and Index No.
1102 5325	Connector - 2P	157 -105
1102 6245	Relay Connector - 2P	127 -103
1102 6245	Relay Connector - 2P	139 -107
1102 6246	Relay Connector - 4P	87 -103
1102 6248	Connector - 5P	125 -104
1102 6249	Relay Connector - 6P	63 -102
1102 6250	Connector - 7P	125 -106
1102 6252	Connector - 9P	139 -105
1102 6254	Connector - 11P	63 -107
1102 6259	Connector - 2P	63 -103
1102 6295	Connector - 2P	149 -102
1102 6297	Connector - 4P	145 -102
1102 6297	Connector - 4P	149 -103
1102 6298	Connector - 5P	153 -105
1102 6298	Connector - 5P	157 -106
1102 6300	Connector - 7P	153 -106
1102 6300	Connector - 7P	157 -107
1102 6302	Connector - 9P	145 -103
1102 6303	Connector - 10P	149 -104
1102 6303	Connector - 10P	145 -104
1102 6304	Connector - 11P	149 -105
1102 6304	Connector - 11P	145 -105
1102 6307	Connector - 14P	157 -108
1102 6307	Connector - 14P	153 -107
1102 6309	Connector - 2P	157 -109
1102 6311	Connector - 4P	145 -106
1102 6311	Connector - 4P	149 -106
1102 6313	Connector - 6P	149 -107
1102 6313	Connector - 6P	145 -107
1102 6314	Connector - 7P	145 -108
1102 6314	Connector - 7P	157 -110
1102 6314	Connector - 7P	153 -108
1102 6314	Connector - 7P	149 -108
1102 6400	Connector - 24P	145 -109
1102 6400	Connector - 24P	149 -109

Part No.	Description	Page and Index No.
1102 6401	Connector - 26P	145 -110
1102 6401	Connector - 26P	149 -110
1102 6403	Connector - 30P	145 -111
1102 6403	Connector - 30P	149 -111
1102 6760	Connector -3p	165 -102
1102 6760	Connector -3p	175 -101
1102 6890	Connector - 40P	149 -112
1102 6890	Connector - 40P	145 -112
1102 7029	Connector - 8p - 53375-0810	165 -103
1102 7029	Connector - 8p - 53375-0810	175 -102
1102 7095	Connector - 40P	175 -103
1102 7095	Connector - 40P	165 -104
1102 7389	Connector - FH12-50S-0.5SV	165 -105
1102 7389	Connector - FH12-50S-0.5SV	175 -104
1102 7456	Connector 176125-5	165 -106
1102 7456	Connector - 176125-5	175 -105
1102 7496	Connector	175 -106
1102 7496	Connector	165 -107
1102 7506	Connector - 8931E-050-178S	149 -113
1102 7506	Connector - 8931E-050-178S	145 -113
1102 7508	Connector	175 -107
1102 7508	Connector	165 -108
1102 8036	Connector - 68P	165 -109
1102 8036	Connector - 68P	175 -108
1102 8065	Connector - FH12-40S-0.5SV	175 -109
1102 8065	Connector - FH12-40S-0.5SV	165 -110
1102 8067	Connector - FH12-15S-0.5SV	175 -110
1102 8067	Connector - FH12-15S-0.5SV	165 -111
1102 8091	Connector - 53505-4010	165 -112
1102 8091	Connector - 53505-4010	175 -111
1102 8095	Connector - 1-353520-1	175 -112
1102 8095	Connector - 1-353520-1	165 -113
1102 8104	Connector - FX8C-60P-SV6(21)	175 -113
1102 8104	Connector - FX8C-60P-SV6(21)	165 -114
1102 8239	Connector - 1-353520-9	165 -115

Part No.	Description	Page and Index No.
1102 8239	Connector - 1-353520-9	175 -114
1103 1317	Connector	145 -114
1103 1317	Connector	149 -114
1104 0589	DIP Socket - 32p	175 -115
1104 0597	IC Socket - 64p - SN	165 -116
1104 0597	IC Socket - 64p - SN	175 -116
1104 0766	IC Socket - 32P-2-382424-3	165 -117
1105 0005	Nylon Clamp - 3n	73 -104
1105 0087	Clamp	73 -108
1105 0087	Clamp	125 -114
1105 0113	Edge - P108	135 -111
1105 0113	Edge - P108	47 -114
1105 0196	Harness Clamp	135 -113
1105 0196	Harness Clamp	137 -105
1105 0199	Clamp	41 -110
1105 0199	Clamp	25 -105
1105 0199	Clamp	109 -103
1105 0199	Clamp	27 -106
1105 0199	Clamp	127 -114
1105 0199	Clamp	63 -106
1105 0199	Clamp	67 -105
1105 0199	Clamp	65 -104
1105 0199	Clamp	131 -103
1105 0199	Clamp	37 -110
1105 0199	Clamp	103 -106
1105 0199	Clamp	35 -108
1105 0201	Harness Clamp	123 -107
1105 0201	Harness Clamp	137 -110
1105 0201	Harness Clamp	131 -109
1105 0229	Clamp	47 -111
1105 0229	Clamp	127 -112
1105 0229	Clamp	111 -104
1105 0229	Clamp	87 -105
1105 0229	Clamp	77 -104
1105 0229	Clamp	107 -106

Part No.	Description	Page and Index No.
1105 0230	Clamp	53 -102
1105 0230	Clamp	127 -110
1105 0230	Clamp	39 -106
1105 0230	Clamp	37 -109
1105 0230	Clamp	133 -112
1105 0230	Clamp	33 -105
1105 0230	Clamp	23 -105
1105 0230	Clamp	121 -116
1105 0230	Clamp	25 -104
1105 0243	Wire Saddle	129 -104
1105 0246	Spacer	47 -112
1105 0260	Wire Saddle	113 -103
1105 0260	Wire Saddle	75 -106
1105 0260	Wire Saddle	115 -104
1105 0267	Harness Clamp - YMC-10-0	123 -104
1105 0267	Harness Clamp - YMC-10-0	129 -109
1105 0267	Harness Clamp - YMC-10-0	139 -109
1105 0267	Harness Clamp - YMC-10-0	57 -104
1105 0267	Harness Clamp - YMC-10-0	135 -110
1105 0278	Harness Clamp - LWS-1S	139 -104
1105 0283	Clamp	103 -108
1105 0283	Clamp	109 -107
1105 0283	Clamp	99 -106
1105 0283	Clamp	105 -106
1105 0283	Clamp	107 -103
1105 0290	Harness Clamp - Horizontal	47 -110
1105 0290	Harness Clamp - Horizontal	121 -115
1105 0291	Harness Clamp - LWS-3S	131 -107
1105 0291	Harness Clamp - LWS-3S	69 -103
1105 0291	Harness Clamp - LWS-3S	133 -106
1105 0291	Harness Clamp - LWS-3S	129 -108
1105 0291	Harness Clamp - LWS-3S	137 -109
1105 0291	Harness Clamp - LWS-3S	73 -109
1105 0291	Harness Clamp - LWS-3S	57 -109
1105 0291	Harness Clamp - LWS-3S	123 -106

Part No.	Description	Page and Index No.
1105 0291	Harness Clamp - LWS-3S	125 -115
1105 0291	Harness Clamp - LWS-3S	141 -106
1105 0291	Harness Clamp - LWS-3S	127 -113
1105 0310	Harness Clamp - LWS-1S	133 -111
1105 0310	Harness Clamp - LWS-1S	121 -114
1105 0310	Harness Clamp - LWS-1S	141 -107
1105 0310	Harness Clamp - LWS-1S	87 -106
1105 0310	Harness Clamp - LWS-1S	131 -106
1105 0310	Harness Clamp - LWS-1S	137 -104
1105 0310	Harness Clamp - LWS-1S	47 -113
1105 0310	Harness Clamp - LWS-1S	127 -111
1105 0310	Harness Clamp - LWS-1S	107 -108
1105 0310	Harness Clamp - LWS-1S	125 -116
1105 0316	Clamp	137 -108
1105 0316	Clamp	123 -108
1105 0328	Harness Clamp - ES-0505	107 -109
1105 0328	Harness Clamp - ES-0505	73 -106
1105 0328	Harness Clamp - ES-0505	111 -105
1105 0328	Harness Clamp - ES-0505	53 -106
1105 0328	Harness Clamp - ES-0505	27 -104
1105 0328	Harness Clamp - ES-0505	23 -106
1105 0328	Harness Clamp - ES-0505	39 -105
1105 0334	Edge - 17	39 -103
1105 0349	Edge Saddle	133 -105
1105 0349	Edge Saddle	137 -107
1105 0430	Edging	133 -110
1106 0193	Bushing - 7.9mm	27 -109
1106 0200	Bushing - 19.44mm	137 -106
1106 0200	Bushing - 19.44mm	135 -109
1106 0411	Bushing - 11.5mm	57 -103
1106 0554	Locking Support	129 -107
1106 0823	Power Cord Bushing - ST-16 (120V)	133 -113
1106 0824	Power Cord Bushing - GMP-16 (120V)	133 -114
1107 0473	Circuit Breaker - 250V 10A (230V)	133 -108
1107 0864	Fuse - 12A	133 -103

Part No.	Description	Page and Index No.
1107 0866	Circuit Breaker - 250V 18A (120V)	133 -108
1107 0869	Fuse - 6.3A 125V	133 -102
1107 0880	Fuse - 6.3A 250V	133 -102
1109 0010	Fuse - 3.75a	157 -111
1109 0010	Fuse - 3.75A	153 -109
1201 0045	Ferrite Core	133 -109
1204 1422	DIP Switch - 51D-0401	157 -112
1204 1537	DIP Switch	149 -115
1204 2355	Micro Switch - AM51632A531	69 -107
1204 2355	Micro Switch - AM51632A531	135 -102
1204 2363	Microswitch - AH735454N (A292/A293)	125 -107
1204 2368	Dip Switch - DSS804	153 -110
1204 2390	Interlock Switch - FA8L-AB24	135 -104
1204 2432	Dip Switch - DSS708	145 -115
1204 2468	Switch - AC250/16A (A292/A293)	135 -106
1204 2608	Rocker Switch:SDDJE33900 (B098)	135 -106
1206 0054	Lithium Cell - CR2032-1HS	165 -118
1206 0054	Lithium Cell - CR2032-1HS	175 -117
1400 0392	Transistor - DTC114EK	165 -119
1400 0392	Transistor - DTC114EK	175 -118
1400 0398	Transistor - 2SC2412K	145 -116
1400 0398	Transistor - 2SC2412K	149 -116
1400 0398	Transistor - 2SC2412K	153 -111
1400 0619	Transistor - DTA143EKA	145 -117
1400 0619	Transistor - DTA143EKA	149 -117
1400 0731	Transistor - 2SD1766	149 -118
1400 0731	Transistor - 2SD1766	145 -118
1400 0775	Transistor - 2SC4081	157 -113
1401 0881	Transistor - 2SJ142	157 -114
1401 0881	Transistor - 2SJ142	153 -112
1401 0972	Transistor-2sb1260	157 -115
1401 0972	Transistor-2sb1260	149 -119
1401 0972	Transistor-2sb1260	145 -119
1401 0972	Transistor - 2SB1260	153 -113
1401 0986	Transistor - UPA1552H	149 -120

Part No.	Description	Page and Index No.
1401 0986	Transistor - UPA1552H	145 -120
1401 1113	Transistor - 2SK2462	157 -116
1401 1113	Transistor - 2SK2462	153 -114
1402 1112	Diode - ERA83-004	149 -121
1402 1112	Diode - ERA83-004	145 -121
1402 1142	Diode Array - DAN217	175 -119
1402 1142	Diode Array - DAN217	153 -115
1402 1142	Diode Array - DAN217	145 -122
1402 1142	Diode Array - DAN217	149 -122
1402 1142	Diode Array - DAN217	165 -120
1402 1326	Diode Array - DA227	149 -123
1402 1326	Diode Array - DA227	145 -123
1402 1336	Diode - 1SS355	145 -124
1402 1336	Diode - 1SS355	149 -124
1402 1365	Diode-rb751v-40	175 -120
1402 1378	Diode - PTZ12A	145 -125
1402 1380	Diode - PTZ 6.2A	145 -126
1402 1380	Diode - PTZ 6.2A	153 -116
1402 1447	Diode - PTZ5.1B	175 -121
1402 1447	Diode - PTZ5.1B	165 -121
1402 1505	Diode - UDZS5.6B	145 -127
1402 1505	Diode - UDZS5.6B	149 -125
1402 1584	Diode - DAN217U	157 -117
1402 1662	Diode:ptz6.2b	157 -118
1402 1692	Diode:rd12fmb	149 -126
1402 1695	Diode:rd6.2fmb	149 -127
1403 0828	Diode - SEC1901C	165 -122
1403 0828	Diode - SEC1901C	175 -122
1403 0829	Diode - SEC1201C	165 -123
1403 0829	Diode - SEC1201C	175 -123
1403 0954	Sensor - MA12-10V23	153 -117
1403 1107	lc:la12-10v21	157 -119
1407 1535	IC - TD62308AP	149 -128
1407 1535	IC - TD62308AP	145 -128
1407 1596	TTLIC - SN74LS14NS	153 -118

Part No.	Description	Page and Index No.
1407 1596	TTLIC - SN74LS14NS	149 -129
1407 1596	TTLIC - SN74LS14NS	175 -124
1407 1596	TTLIC - SN74LS14NS	157 -120
1407 1596	TTLIC - SN74LS14NS	165 -124
1407 1596	TTLIC - SN74LS14NS	145 -129
1407 1600	TTLIC - SN74LS244NS	149 -130
1407 1600	TTLIC - SN74LS244NS	145 -130
1407 1741	TTL - SN74LS32NS	153 -119
1407 1741	TTL - SN74LS32NS	157 -121
1407 1783	IC - 74LS02	153 -120
1407 1783	IC - 74LS02	157 -122
1407 1880	TTLIC - SN74LS04NS	153 -121
1407 1880	TTLIC - SN74LS04NS	157 -123
1407 1984	IC - SH74LS123NS	153 -122
1407 1984	IC - SH74LS123NS	157 -124
1407 2051	TTL - IC - SN74LS00NS	153 -123
1407 2051	TTL - IC - SN74LS00NS	157 -125
1407 2052	TTLIC - SN74LS74ANS	175 -125
1407 2052	TTLIC - SN74LS74ANS	153 -124
1407 2052	TTLIC - SN74LS74ANS	157 -126
1407 2052	TTLIC - SN74LS74ANS	165 -125
1407 2138	TTLIC - 74F139SJ	175 -126
1407 2138	TTLIC - 74F139SJ	165 -126
1407 2187	TTLIC - SN74LS07NS	157 -127
1407 2187	TTLIC - SN74LS07NS	175 -127
1407 2187	TTLIC - SN74LS07NS	153 -125
1407 2187	TTLIC - SN74LS07NS	145 -131
1407 2187	TTLIC - SN74LS07NS	165 -127
1407 2187	TTLIC - SN74LS07NS	149 -131
1407 2218	TTLIC - SN74LS06NS	145 -132
1407 2218	TTLIC - SN74LS06NS	175 -128
1407 2218	TTLIC - SN74LS06NS	149 -132
1407 2218	TTLIC - SN74LS06NS	165 -128
1407 2219	IC - TD62003AP	149 -133
1407 2219	IC - TD62003AP	145 -133

Part No.	Description	Page and Index No.
1407 2378	TTL - SN74ALS245ANS	175 -129
1407 2378	TTL - SN74ALS245ANS	165 -129
1407 2464	TTL - IC - SN74ALS74ANS	165 -130
1407 2947	IC - TC7S00F	175 -130
1407 2947	IC - TC7S00F	165 -131
1407 3008	TTL - SN74ALS244CNS	175 -131
1407 3008	TTL - SN74ALS244CNS	165 -132
1407 3206	IC - TC7S32F	175 -132
1407 3206	IC - TC7S32F	165 -133
1407 3290	IC - TC74HC02AF	145 -134
1407 3290	IC - TC74HC02AF	149 -134
1407 3357	Comparator - BA10393F	145 -135
1407 3357	Comparator - BA10393F	149 -135
1407 3411	Sn74als541ns	175 -133
1407 3411	SN74ALS541NS	165 -134
1407 3682	IC - TC7W00F	165 -135
1407 3682	IC - TC7W00F	175 -134
1407 3825	ALS-TTL SN74ALS244A-1NS	165 -136
1407 3825	Als-ttl Sn74als244a-1ns	175 -135
1407 4044	IC - 74ACT14	175 -136
1407 4044	IC - 74ACT14	165 -137
1407 4137	IC - MM1035XF	153 -126
1407 4137	IC - MM1035XF	157 -128
1407 4687	IC - TA8083F	149 -136
1407 4687	IC - TA8083F	145 -136
1407 4947	IC - 74LCX244	165 -138
1407 4947	IC - 74LCX244	175 -137
1407 4959	IC - MC68334GCFC20	175 -138
1407 4959	IC - MC68334GCFC20	165 -139
1407 4962	IC - RTC-4563SB	165 -140
1407 5039	IC - MBM29F016A-90PFTN	175 -139
1407 5039	IC - MBM29F016A-90PFTN	165 -141
1407 5085	IC - TC4066BF(N)	145 -137
1407 5085	IC - TC4066BF(N)	149 -137
1407 5090	IC - DS90CF364MTD	165 -142

Part No.	Description	Page and Index No.
1407 5090	IC - DS90CF364MTD	175 -140
1407 5177	IC - ABT244	175 -141
1407 5177	IC - ABT244	165 -143
1407 5178	IC - ABT245	175 -142
1407 5178	IC - ABT245	165 -144
1407 5672	lc:rtc-4574sa	175 -143
1408 0565	IC - UPC311G	153 -127
1408 0565	IC - UPC311G	157 -129
1408 0575	IC - M51957BFP	175 -144
1408 0575	IC - M51957BFP	165 -145
1408 0645	IC - UPC4570G	153 -128
1408 0645	lc-upc4570g	157 -130
1408 0810	IC - BA10358F	149 -138
1408 0810	IC - BA10358F	145 -138
1408 0826	IC - TA8428K	145 -139
1408 0826	IC - TA8428K	149 -139
1408 0942	IC - BA4558F	153 -129
1408 0942	IC - BA4558F	157 -131
1408 1065	Comparator - BA10339F	157 -132
1408 1065	Comparator BA10339F	153 -130
1408 1095	IC - BA10324AF	145 -140
1408 1095	IC - BA10324AF	149 -140
1408 1206	Transistor-array - TD62M4700F	145 -141
1408 1206	Transistor-array - TD62M4700F	149 -141
1408 1461	IC - LM1086IS-3.3	165 -146
1408 1461	IC - LM1086IS-3.3	175 -145
1503 0758	Oscillator - MC-306 32.768MHZ	165 -147
1503 0758	Oscillator - MC-306 32.768MHZ	175 -146
1503 0817	Crystal Oscillator - 15.9744M HZ	157 -133
1503 0817	Crystal Oscillator - 15.9744MHZ	153 -131
1503 0865	Oscillator - 9.8304MHZ	145 -142
1503 0865	Oscillator - 9.8304MHZ	149 -142
1503 0885	Crystal Oscillator - 10MHZ	165 -148
1503 0885	Crystal Oscillator - 10MHZ	175 -147
1503 0900	Crystal Oscillator - 20.5MHZ	165 -149

Part No.	Description	Page and Index No.
1503 0900	Crystal Oscillator - 20.5MHZ	175 -148
1503 0901	Crystal Oscillator - 19.6608MHZ	175 -149
1503 0901	Crystal Oscillator - 19.6608MHZ	165 -150
1503 0904	Ceramic Oscillator - 16mhz	175 -150
1503 0904	Ceramic Oscillator - 16MHZ	165 -151
1503 0907	Crystal Oscillator - 40MHZ	165 -152
1503 0907	Crystal Oscillator-40mhz	175 -151
1600 1510	Resistor - 1.5K Ω \pm 5% 1W	153 -132
1600 1510	Resistor - 1.5K Ω \pm 5% 1W	157 -134
1601 5319	Resistor-3.9 Ω \pm 5% 2w	145 -143
1601 5319	Resistor-3.9 Ω \pm 5% 2w	149 -143
1601 7752	Resistor Array - 10K Ω \pm 5%	149 -144
1601 7752	Resistor Array - 10K Ω \pm 5%	165 -153
1601 7752	Resistor Array - 10K Ω \pm 5%	145 -144
1601 7752	Resistor Array - 10K Ω \pm 5%	175 -152
1601 7753	Resistor - 47 Ω \pm 5%	165 -154
1601 7753	Resistor - 47 Ω \pm 5%	175 -153
1601 7759	Resistor Array-100k Ω \pm 5% 0.063W	153 -133
1601 7759	Resistor Array - 100K Ω \pm 5% 0.06	157 -135
1601 7781	Resistor - 10 Ω \pm 5%	149 -145
1601 7781	Resistor - 10 Ω \pm 5%	145 -145
1601 7791	Resistor Array - 1K Ω \pm 5%	149 -146
1601 7791	Resistor Array - 1K Ω \pm 5%	145 -146
1601 7791	Resistor Array - 1K Ω \pm 5%	153 -134
1601 7791	Resistor Array - 1K Ω \pm 5%	157 -136
1601 7814	Resistor 3.3k Ω \pm 5%	145 -147
1601 7814	Resistor 3.3k Ω \pm 5%	165 -155
1601 7814	Resistor - 3.3K Ω \pm 5%	149 -147
1601 7814	Resistor - 3.3K Ω \pm 5%	175 -154
1601 7867	Resistor - 33 Ω \pm 5% 1/16W	175 -155
1601 7867	Resistor - 33 Ω \pm 5% 1/16W	165 -156
1601 7872	Resistor Array - 220 Ω \pm 5% 1/16W	145 -148
1601 7872	Resistor Array - 220 Ω \pm 5% 1/16W	149 -148
1602 7029	Noise Filter - 22000pf	145 -149
1602 7029	Noise Filter - 22000pf	149 -149

Part No.	Description	Page and Index No.
1604 4355	Capacitor - 47μF ±20% 25V	175 -156
1604 4355	Capacitor - 47μF ±20% 25V	165 -157
1604 4728	Capacitor - 100μF ±20% 16V	165 -158
1604 4728	Capacitor - 100μF ±20% 16V	175 -157
1604 4729	Capacitor - 47μF ±20% 16V	175 -158
1604 4729	Capacitor - 47μF ±20% 16V	165 -159
1604 4730	Capacitor - 47μF ±20% 50V	165 -160
1604 4730	Capacitor - 47μF ±20% 50V	175 -159
1604 4734	Capacitor - 47μF ±20% 25V	157 -137
1604 4734	Capacitor - 47μF ±20% 25V	153 -135
1604 4735	Capacitor - 1000μF ±20% 50V	153 -136
1604 4735	Capacitor - 1000μF ±20% 50V	157 -138
1605 0599	Capacitor - 0.1μF ±10%	153 -137
1605 0643	Capacitor - 0.1MICRO F	153 -138
1605 0769	Capacitor - 20pF ±5% 50V	165 -161
1605 0928	Capacitor - 0.1uF 16V ±10%	165 -162
1605 0943	Capacitor - 0.33μF +80 -20% 25V	165 -163
1605 0976	Capacitor - 1μF +80% -20% 10V	175 -160
1605 1055	Capacitor - 0.022μF ±10% 25V	165 -164
1605 1137	Capacitor - 470pF ±10% 50V	157 -139
1605 1148	Capacitor - 0.1μF +80-20% 50V	157 -140
1605 1161	Capacitor - 0.33μF ±10% 10V	175 -161
1605 1187	Ceramic Capacitor 0.047μF ±10% 50v	175 -162
1605 1225	Capacitor - 0.1μF ±10% 50V	175 -163
1605 1228	Capacitor:0.1μF:±10%:25v	157 -141
1605 1266	Capacitor:0.022μF:±10%:50V	175 -164
1607 0672	Ferrite Core	133 -115
1607 0732	Noise Filter - Aef321825-470	175 -165
1607 0732	Noise Filter - AEF321825-470	165 -165
1607 0758	Filter - DSS710D223A12-22	165 -166
1607 0758	Filter - Dss710d223a12-22	149 -150
1607 0758	Filter - Dss710d223a12-22	175 -166
1607 0758	Filter - DSS710D223A12-22	145 -150
1607 0847	Data Line Filter - Acb1608h-300	175 -167
1607 0847	Data Line Filter - ACB1608H-300	165 -167

Part No.	Description	Page and Index No.
1607 0852	Filter - Blm41p750spb	175 -168
1607 0852	Filter - BLM41P750SPB	165 -168
1607 0950	Filter - Acb1608h-060	175 -169
1607 0950	Filter - ACB1608H-060	165 -169
1607 1041	Filter - ACB1608M-300	165 -170
1607 1041	Filter - Acb1608m-300	175 -170
1607 1054	Ferrite Core Sc-18-10-13	87 -108
1610 1374	Resistor - 2.2K Ω ±5% 1/2W	149 -151
1610 1374	Resistor - 2.2K Ω ±5% 1/2W	145 -151
1611 9331	Resistor - 330 Ω ±5% 1/2W	153 -139
1611 9331	Resistor - 330 Ω ±5% 1/2W	157 -142
1611 9621	Resistor - 620 Ω ±5% 1/2W	153 -140
1611 9621	Resistor - 620 Ω ±5% 1/2W	157 -143
1630 1101	Resistor - 100 Ω 1/4W ±5%	145 -152
1630 1101	Resistor - 100 Ω 1/4W ±5%	149 -152
1630 1121	Resistor - 120Ω±5% 1/8W	149 -153
1630 1121	Resistor - 120Ω±5% 1/8W	145 -153
1630 1151	Resistor - 150 Ω ±5% 1/4W	145 -154
1630 1151	Resistor - 150 Ω ±5% 1/4W	149 -154
1630 2221	Resistor - 220 Ω	145 -155
1630 2331	Resistor - 330Ω 1/8W ±5%	165 -171
1630 3100	Resistor - 10 Ω ±5% 1/10W	145 -156
1630 3102	Resistor - 1KΩ 1/10W ±5%	145 -157
1630 3103	Resistor - 10KΩ 1/10W ±5%	145 -158
1630 3104	Resistor - 100K Ω 1/10W ±5%	145 -159
1630 3105	Resistor - 1M Ω ±5% 1/10W	145 -160
1630 3132	Resistor-1.3k Ω ±5% 1/10w	145 -161
1630 3152	Resistor - 1.5kΩ - 1/10W	145 -162
1630 3153	Resistor - 15K Ω ±5% 1/10W	145 -163
1630 3154	Resistor - 150K 0HM ±5% 1/10W	145 -164
1630 3222	Resistor - 2.2KΩ 1/10W ±5%	145 -165
1630 3223	Resistor - 22kΩ - 1/10W	145 -166
1630 3331	Resistor - 330 Ω ±5% 1/10W	145 -167
1630 3332	Resistor - 3.3KΩ 1/10W ±5%	145 -168
1630 3362	Resistor - 3.6K Ω ±5% 1/10W	145 -169

Part No.	Description	Page and Index No.
1630 3391	Resistor - 390Ω 1/10W ±5%	145 -170
1630 3472	Resistor - 4.7KΩ 1/10W ±5%	145 -171
1630 3473	Resistor - 47KΩ 1/10W ±5%	145 -172
1630 3561	Resistor - 560 Ω ±5% 1/10W	165 -172
1630 3562	Resistor - 5.6K Ω +5% 1/10W	145 -173
1630 3751	Resistor - 750Ω±5% 1/10W	165 -173
1630 3910	Resistor - 91 Ω ±5% 1/10W	145 -174
1630 4100	Resistor - 10 Ω ±5% 1/16W	165 -174
1630 4100	Resistor - 10 Ω ±5% 1/16W	153 -141
1630 4101	Resistor - 100 Ω ±5% 1/16W	165 -175
1630 4102	Resistor - 1.0KΩ ±5% 1/16W	153 -142
1630 4102	Resistor - 1.0KΩ ±5% 1/16W	165 -176
1630 4103	Resistor - 10KΩ ±5% 1/16W	153 -143
1630 4103	Resistor - 10KΩ ±5% 1/16W	165 -177
1630 4104	Resistor - 100 Ω ±5% 1/16W	165 -178
1630 4104	Resistor - 100 Ω ±5% 1/16W	153 -144
1630 4105	Resistor - 1.0MΩ ±5% 1/16W	165 -179
1630 4106	Resistor -10m Ω ±5% 1/16w	165 -180
1630 4121	Resistor - 120 Ω ±5% 1/16W	165 -181
1630 4124	Resistor - 120K Ω ±5% 1/16W	153 -145
1630 4150	Resistor - 15Ω ±5.00%,1/16W	165 -182
1630 4153	Resistor - 15KΩ ±5% 1/16W	153 -146
1630 4161	Resistor - 160 Ω ±5% 1/16W	153 -147
1630 4161	Resistor - 160 Ω ±5% 1/16W	165 -183
1630 4220	Resistor - 22 Ω ±5% 1/16W	165 -184
1630 4222	Resistor - 2.2K Ω ±5%	153 -148
1630 4222	Resistor - 2.2K Ω ±5%	165 -185
1630 4223	Resistor - 22K Ω ±5% 1/16W	165 -186
1630 4224	Resistor - 220K Ω ±5% 1/16W	153 -149
1630 4242	Resistor - 2.4k Ω - ±5% - 1/16w	153 -150
1630 4272	Resistor - 2.7k Ω - ±5% - 1/16W	165 -187
1630 4330	Resistor - 33 Ω ±5% 1/8W	165 -188
1630 4331	Resistor - 330 Ω ±5% 1/16W	165 -189
1630 4332	Resistor - 3.3K Ω ±5% 1/16W	153 -151
1630 4332	Resistor - 3.3K Ω ±5% 1/16W	165 -190

Part No.	Description	Page and Index No.
1630 4470	Resistor - 470 Ω ±5% 1/16W	153 -152
1630 4470	Resistor - 470 Ω ±5% 1/16W	165 -191
1630 4472	Resistor - 4.7KΩ ±5% 1/16W	153 -153
1630 4472	Resistor - 4.7KΩ ±5% 1/16W	165 -192
1630 4511	Resistor - 510 Ω - ±5% - 1/16W	165 -193
1630 4511	Resistor - 510 Ω - ±5% - 1/16w	153 -154
1630 4512	Resistor - 5.1k Ω - ±5% - 1/16w	153 -155
1630 4514	Resistor 510kΩ ±5.00% 1/16W	165 -194
1630 4561	Resistor - 5600Ω ±5% 1/16W	165 -195
1630 4562	Resistor - 5.6k Ω - ±5% - 1/16W	165 -196
1630 4562	Resistor - 5.6k Ω - ±5% - 1/16W	153 -156
1630 4563	Resistor - 56KΩ ±5% 1/16W	165 -197
1630 4680	Resistor - 68 Ω ±5% 1/16W	165 -198
1630 4820	Resistor - 82 Ω ±5% 1/16W	165 -199
1630 4824	Resistor - 820k Ω ±5% 1/16W	165 -200
1631 0000	Resistor - 0Ω 1/4W	149 -155
1631 0000	Resistor - 0Ω 1/4W	145 -175
1632 0000	Resistor - 0 Ω 1/8W	175 -171
1632 0000	Resistor - 0 Ω 1/8W	165 -201
1633 1003	Resistor - 100K Ω ±1% 1/10W	145 -176
1633 1102	Resistor-11k Ω ±1% 1/10w	145 -177
1633 1403	Resistor - 140K Ω ±1% 1/10W	145 -178
1633 1542	Resistor - 15.4K Ω ±1%	145 -179
1633 5231	Resistor - 5.23K Ω ±1% 1/10W	145 -180
1633 5360	Resistor - 536 Ω ±1% 1/10W	145 -181
1634 0000	Resistor - 0 Ω 1/16W	175 -172
1634 0000	Resistor - 0 Ω 1/16W	165 -202
1634 0000	Resistor - 0 Ω 1/16W	153 -157
1634 0000	Resistor - 0 Ω 1/16W	157 -144
1634 1002	Resistor - 10 Ω ±5% 1/16W	153 -158
1634 2002	Resistor - 20K Ω ±1% 1/16W	153 -159
1634 2402	Resistor - 24K Ω ±1% 1/16W	153 -160
1634 2702	Resistor - 27KΩ ±1% 1/16W	153 -161
1634 3903	Resistor - 390k Ω - ±1% - 1/16w	153 -162
1634 3921	Resistor - 3.92KΩ ±1% 1/1	165 -203

Part No.	Description	Page and Index No.
1634 4302	Resistor - 43K Ω \pm 1% 1/16W	153 -163
1634 5109	Resistor - 51.0 Ω \pm 1% 1/16W	165 -204
1640 0101	Capacitor - 100 μ F 10V	153 -164
1640 0101	Capacitor - 100 μ F 10V	157 -145
1640 2470	Capacitor - 47 μ F \pm 20% 25V	153 -165
1640 2470	Capacitor - 47 μ F \pm 20% 25V	157 -146
1640 5100	Capacitor - 10 μ F +20% 50	149 -156
1640 5100	Capacitor - 10 μ F +20% 50	145 -182
1640 5101	Capacitor - 100 μ F \pm 20% 50V	145 -183
1640 5101	Capacitor - 100 μ F \pm 20% 50V	157 -147
1640 5101	Capacitor - 100 μ F \pm 20% 50V	153 -166
1640 5101	Capacitor - 100 μ F \pm 20% 50V	149 -157
1640 5470	Capacitor - 47 μ F \pm 20% 50V	145 -184
1640 5470	Capacitor - 47 μ F \pm 20% 50V	149 -158
1650 2221	Resistor:220 Ω : \pm 5%:1/4w	149 -159
1650 2331	Chip Resistor:330 Ω : \pm 5%:1/4w	175 -173
1650 3100	Resistor - 10 Ω \pm 5% 1/8W	149 -160
1650 3102	Resistor:1k Ω : \pm 5%:1/8w:2125	149 -161
1650 3103	Chip Resistor - 10k Ω \pm 5% 1/8w	149 -162
1650 3104	Resistor:100k Ω : \pm 5%:1/8w	149 -163
1650 3105	Resistor:1m Ω : \pm 5%:1/8w	149 -164
1650 3132	Resistor:1.3k Ω : \pm 5%:1/8w	149 -165
1650 3152	Resistor:1.5k Ω : \pm 5%:1/8w	149 -166
1650 3153	Resistor:15k Ω : \pm 5%:1/8w	149 -167
1650 3154	Resistor:150k Ω : \pm 5%:1/8w	149 -168
1650 3222	Resistor:2.2k Ω : \pm 5%:1/8w	149 -169
1650 3223	Resistor:22k Ω : \pm 5%:1/8w	149 -170
1650 3331	Resistor:330 Ω : \pm 5%:1/8w	149 -171
1650 3332	Resistor:3.3k Ω : \pm 5%:1/8w	149 -172
1650 3362	Resistor:3.6k Ω : \pm 5%:1/8w	149 -173
1650 3391	Resistor - 390 Ω \pm 5% 1/8W	149 -174
1650 3472	Resistor:4.7k Ω : \pm 5%:1/8w	149 -175
1650 3473	Resistor:47k Ω : \pm 5%:1/8w	149 -176
1650 3561	Resistor - 560 Ω \pm 5% 1/8W	175 -174
1650 3562	Resistor:5.6k Ω : \pm 5%:1/8w	149 -177

Part No.	Description	Page and Index No.
1650 3751	Chip Resistor:750 Ω : \pm 5%:1/8w	175 -175
1650 3910	Resistor:91 Ω : \pm 5%:1/8w	149 -178
1650 4100	Resistor - 10 Ω \pm 5% 1/10W	175 -176
1650 4100	Resistor - 10 Ω \pm 5% 1/10W	157 -148
1650 4101	Resistor - 100 Ω \pm 5%1/10W	175 -177
1650 4102	Resistor - 1K Ω \pm 5% 1/10W	157 -149
1650 4102	Resistor - 1K Ω \pm 5% 1/10W	175 -178
1650 4103	Resistor - 10K Ω \pm 5% 1/10W	157 -150
1650 4103	Resistor - 10K Ω \pm 5% 1/10W	175 -179
1650 4104	Resistor - 100K Ω \pm 5%1/10W	175 -180
1650 4104	Resistor - 100K Ω \pm 5%1/10W	157 -151
1650 4105	Resistor - 1M Ω \pm 5% 1/10W	175 -181
1650 4106	Resistor - 10M Ω \pm 5%1/10W	175 -182
1650 4121	Resistor - 120 Ω \pm 5%1/10W	175 -183
1650 4124	Resistor:120k Ω : \pm 5%:1/10w	157 -152
1650 4150	Resistor - 15 Ω \pm 5% 1/10W	175 -184
1650 4153	Resistor - 15K Ω \pm 5% 1/10W	157 -153
1650 4161	Resistor - 160 Ω \pm 5% 1/10W	175 -185
1650 4161	Resistor - 160 Ω \pm 5% 1/10W	157 -154
1650 4220	Chip Resistor - 22 Ω \pm 5% 1/10w	175 -186
1650 4222	Resistor - 2.2K Ω \pm 5%1/10W	175 -187
1650 4222	Resistor - 2.2K Ω \pm 5%1/10W	157 -155
1650 4223	Resistor - 22K Ω \pm 5%1/10W	175 -188
1650 4224	Resistor:220k Ω : \pm 5%:1/10w	157 -156
1650 4242	Resistor - 2.4K Ω \pm 5% 1/10W 1608	157 -157
1650 4272	Resistor - 2.7K Ω \pm 5%1/10W	175 -189
1650 4330	Chip Resistor - 33 Ω \pm 5% 1/10w	175 -190
1650 4331	Resistor - 330 Ω \pm 5%1/10W	175 -191
1650 4332	Resistor - 3.3K Ω \pm 5%1/10W	157 -158
1650 4332	Resistor - 3.3K Ω \pm 5%1/10W	175 -192
1650 4470	Resistor - 47 Ω \pm 5%1/10W	157 -159
1650 4470	Resistor - 47 Ω \pm 5%1/10W	175 -193
1650 4472	Resistor - 4.7K Ω \pm 5% 1/10W	175 -194
1650 4472	Resistor - 4.7K Ω \pm 5% 1/10W	157 -160
1650 4511	Resistor - 510 Ω \pm 5%1/10W	157 -161

Part No.	Description	Page and Index No.
1650 4511	Resistor - 510Ω±5% 1/10W	175 -195
1650 4512	Resistor - 5.1KΩ±5% 1/10W	157 -162
1650 4514	Resistor - 510K Ω ±5% 1/10W	175 -196
1650 4562	Resistor - 5.6KΩ ±5% 1/10W	157 -163
1650 4562	Resistor - 5.6KΩ ±5% 1/10W	175 -197
1650 4563	Resistor - 56KΩ±5% 1/10W	175 -198
1650 4680	Resistor - 68Ω±5% 1/10W	175 -199
1650 4820	Resistor - 82Ω ±5% 1/10W	175 -200
1650 4824	Resistor:820kΩ:±5%:1/10w:1608	175 -201
1653 1003	Resistor:100kΩ:±1%:1/8w	149 -179
1653 1102	Resistor:11kΩ:±1%:1/8w	149 -180
1653 1403	Resistor:140kΩ:±1%:1/8w	149 -181
1653 1542	Resistor:15.4kΩ:±1%:1/8w	149 -182
1653 5231	Resistor:5.23kΩ:±1%:1/8w	149 -183
1653 5360	Resistor:536Ω:±1%:1/8w	149 -184
1654 1002	Resistor - 10KΩ±5% 1/10W	175 -202
1654 1002	Resistor - 10KΩ±5% 1/10W	157 -164
1654 2002	Resistor - 20KΩ±1% 1/10W	157 -165
1654 2402	Chip Resistor:24kΩ:±1%:1/10w	157 -166
1654 2702	Resistor - 27KΩ±1% 1/10W	157 -167
1654 3903	Resistor - 390KΩ ±1% 1/10W	157 -168
1654 3921	Resistor:3.92kΩ:±1%:1/10w:1608	175 -203
1654 4302	Resistor - 43KΩ ±1% 1/10W	157 -169
1654 5109	Resistor:51Ω:±1%:1/10w	175 -204
1660 0100	Capacitor - 10PF ±0.5pF 50V	157 -170
1660 0100	Capacitor - 10PF ±0.5pF 50V	175 -205
1660 0100	Capacitor - 10PF ±0.5pF 50V	165 -205
1660 0100	Capacitor - 10PF ±0.5pF 50V	149 -185
1660 0100	Capacitor - 10PF ±0.5pF 50V	153 -167
1660 1100	Capacitor - 10pF 50V	145 -185
1660 2101	Capacitor - 100pF - ±10% - 50V	153 -168
1660 2101	Capacitor - 100pF - ±10% - 50V	175 -206
1660 2101	Capacitor - 100pF - ±10% - 50V	149 -186
1660 2101	Capacitor - 100pF - ±10% - 50V	165 -206
1660 2101	Capacitor - 100pF - ±10% - 50V	157 -171

Part No.	Description	Page and Index No.
1660 2121	Capacitor - 120pF ±5% 50V	149 -187
1660 2151	Capacitor - 150pF ±20% 35V	165 -207
1660 2151	Capacitor - 150pF ±20% 35V	175 -207
1660 2180	Capacitor 18pF ±5% 50v	175 -208
1660 2180	Capacitor 18pF ±5% 50V	165 -208
1660 2181	Capacitor - 180pF ±5% 50V	175 -209
1660 2181	Capacitor - 180pF ±5% 50V	165 -209
1660 2220	Capacitor - 22pF ±20% 35V	145 -186
1660 2220	Capacitor - 22pF ±20% 35V	175 -210
1660 2220	Capacitor - 22pF ±20% 35V	165 -210
1660 2220	Capacitor - 22pF ±20% 35V	149 -188
1660 2270	Capacitor - 27pF ±20% 35V	175 -211
1660 2270	Capacitor - 27pF ±20% 35V	165 -211
1660 2330	Capacitor - 33pF - ±5% - 50V	175 -212
1660 2330	Capacitor - 33pF - ±5% - 50V	165 -212
1660 2331	Capacitor - 330pF ±5% 50V	175 -213
1660 2331	Capacitor - 330pF ±5% 50V	165 -213
1660 2390	Ceramic Capacitor - 39pF 50v	175 -214
1660 2390	Ceramic Capacitor - 39pF 50V	165 -214
1660 2470	Capacitor - 47pF ±5% 50V	149 -189
1660 2470	Capacitor - 47pF ±5% 50V	165 -215
1660 2470	Capacitor - 47pF ±5% 50V	175 -215
1660 2471	Capacitor - 470pF - ±5% - 50V	149 -190
1660 2471	Capacitor - 470pF - ±5% - 50V	175 -216
1660 2471	Capacitor - 470pF - ±5% - 50V	153 -169
1660 2471	Capacitor - 470pF - ±5% - 50V	165 -216
1660 3101	Capacitor - 100pF 50V	145 -187
1660 3102	Capacitor - 1000pF ±5% 50V	153 -170
1660 3121	Capacitor - 120pF 50V ±5% 50V	145 -188
1660 3470	Capacitor - 47pF ±5% 50V	145 -189
1660 3471	Capacitor - 470pF 50V	145 -190
1660 4102	Capacitor - 1000pF ±10% 50V	157 -172
1660 4102	Capacitor - 1000pF ±10% 50V	153 -171
1660 4103	Capacitor - 10000pF - ±10% - 50V	175 -217
1660 4103	Capacitor - 10000pF ±10% 50V	165 -217

Part No.	Description	Page and Index No.
1660 4332	Capacitor - 3300pF - ±10% - 50V	175 -218
1660 4332	Capacitor - 3300pF - ±10% - 50V	165 -218
1660 4472	Capacitor - 4700PF±10% 50V	149 -191
1660 5472	Capacitor - 4700pF 50V	145 -191
1660 6103	Capacitor - 10000pF - +80%-20%50V	165 -219
1660 6103	Capacitor - 10000pF - +80%-20%50V	157 -173
1660 6103	Capacitor - 10000pF - +80%-20%50V	175 -219
1660 6103	Capacitor - 10000pF - +80%-20%50V	149 -192
1660 6103	Capacitor - 10000pF - +80%-20%50V	153 -172
1660 6223	Capacitor 22000pF +80 -20% 50V	165 -220
1660 6223	Capacitor - 22000pF +80 -20% 50V	175 -220
1660 7103	Capacitor - 10000pF 50V	145 -192
1660 7104	Capacitor - 100000pF 50V	145 -193
1660 8104	Capacitor - 0.1µF +80-20% 25V	153 -173
1660 8104	Capacitor - 0.1µF +80-20% 25V	157 -174
1660 8104	Capacitor - 0.1µF +80-20% 25V	165 -221
1660 8104	Capacitor - 0.1µF +80-20% 25V	175 -221
1660 8104	Capacitor - 0.1µF +80-20% 25V	149 -193
1902 0043	IC - 4MX8 70NS G2	165 -222
1902 0043	IC - 4MX8 70NS G2	175 -222
1907 0007	SDRAM - 64k 1mx 16x4 100mhz G3	175 -223
1907 0007	SDRAM 64M 1MX16X4 100MHZ G3	165 -223

Part No.	Description	Page and Index No.
5053 0223	Bushing - 8mm	75 - 1
5053 0223	Bushing - 8mm	71 - 13
5053 0223	Bushing - 8mm	23 - 33
5053 0223	Bushing - 8mm	57 - 3
5053 0447	Bushing - 6mm	33 - 2
5053 0447	Bushing - 6mm	73 - 9
5053 0447	Bushing - 6mm	37 - 11
5053 0447	Bushing - 6mm	109 - 29
5053 0447	Bushing - 6mm	35 - 40
5053 0447	Bushing - 6mm	111 - 5
5053 0447	Bushing - 6mm	75 - 21
5053 0447	Bushing - 6mm	53 - 32
5053 0447	Bushing - 6mm	31 - 12
5053 0447	Bushing - 6mm	67 - 7
5053 0447	Bushing - 6mm	25 - 21
5053 0447	Bushing - 6mm	23 - 30
5053 0709	Bushing - 6x10x6mm	125 - 1
5201 1796	Stepped Screw - M4	69 - 20
5201 2858	Friction Pad	55 - 8
5205 2697	Bushing - Upper Registration Roller	71 - 3
5205 2697	Bushing - Upper Registration Roller	73 - 2
5206 2684	Shoulder Screw - M3 (A292/A293)	41 - 1
5206 2686	Snap Ring	23 - 22
5215 2621	Snap Ring - M6	33 - 14
5215 2621	Snap Ring - M6	23 - 24
5215 4444	Pin	101 - 13
5301 1662	Hexagon Bolt	141 - 27
5324 1658	Bushing- 4x8x4.5mm	91 - 17
5324 1658	Bushing- 4x8x4.5mm	33 - 9
5324 1658	Bushing- 4x8x4.5mm	27 - 13
5353 3283	Insert Cap	43 - 5
5403 2819	Spring Anchor - Reverse Roller	83 - 17
5403 6246	Stepped Screw - Cleaning	69 - 22
5410 1291	Pin	39 - 17
5415 4145	Stud	25 - 30

Part No.	Description	Page and Index No.
5420 9516	Test Chart - OS - A3 (10psc/set)(OEM)	185 - 6
5442 1924	Exposure Glass Cushion	65 - 16
5442 2754	Spring - Registration Roller	71 - 2
5443 2668	Bushing - 4x6x7mm	75 - 6
5443 2668	Bushing - 4x6x7mm	71 - 22
5446 2824	Screw - Duplex Guide Plate	21 - 8
5446 2824	Screw - Duplex Guide Plate	23 - 11
5446 2846	Release Spring - Vertical Transport	69 - 21
5446 3648	Stepped Screw - M4	139 - 3
5446 5832	Connector Guide Pin	131 - 11
5446 5832	Connector Guide Pin	121 - 32
5447 2681	Snap Ring	103 - 27
5447 2681	Snap Ring	25 - 20
5447 2681	Snap Ring	105 - 28
5447 2681	Snap Ring	73 - 4
5447 2681	Snap Ring	63 - 21
5447 2681	Snap Ring	95 - 29
5447 2681	Snap Ring	65 - 15
5447 2681	Snap Ring	67 - 2
5447 2681	Snap Ring	71 - 15
5447 2706	Gear - 15T	65 - 7
5447 2706	Gear - 15T	71 - 17
5506 6111	Stepped Screw - M4 (A292/A293)	99 - 10
5919 2201	Shoulder Screw - M4	125 - 19
5919 2201	Shoulder Screw - M4	135 - 16
5919 2201	Shoulder Screw - M4	139 - 32
5936 2321	Rubber Bushing - Vibration Damper	37 - 9
5936 5231	Indicator Board	35 - 4
6754 2866	Roller - Positioning Guide	137 - 2

Part No.	Description	Page and Index No.