

DEVELOP

DEVELOP D2350/1801

Parts Manual

PREFACE

1. The part numbers listed in Parts Manual are those which were assigned to the parts making up the machine at the time machine was originally introduced onto the market.
2. Parts whose numbers are preceded by an asterisk in the Index Column on the List Page are parts to be used in only certain market areas. Therefore, please check the number in the Area column on the List Page and then compare it with the numbers given in the Area Chart on page II to find out which part number is applicable to your own area.

NOTE: Parts for only certain Market Areas: The part numbers for these parts vary according to market area. In other cases, these parts are used in only restricted areas.

3. The Index Number on the List Page is composed of two numbers and two letters. Generally, only A is used as the first letter of the two letters. However, sometimes B, C, D, etc. are used when one part in the illustration, such as an electrical parts or a part which varies according to market areas, has two or more part numbers. The second of the two letters represents the modification history of that part.
4. The Areas Number is listed in the Areas Column for only those parts used in certain market areas. This Area Number represents the areas listed opposite to it in the Chart given on Page II. Parts having no Area Number listed in the Area Column can be used in all market areas.
5. In the exploded views in this Parts Manual the parts (Screws & Washes, etc...) which are indicated with a "four-digit" numbers are listed in numerical order in the section "SCREWS AND WASHERS". Please check these "four-digit" numbers with the part numbers ("ten-digit" numbers) which should be used for ordering the part.
6. All part numbers consist of "ten-digit" which should all be quoted when ordering a part. The price of parts can be obtained by referring to the "Parts Price List" which is separately issued.
7. All information contained in this parts manual is subject to change.

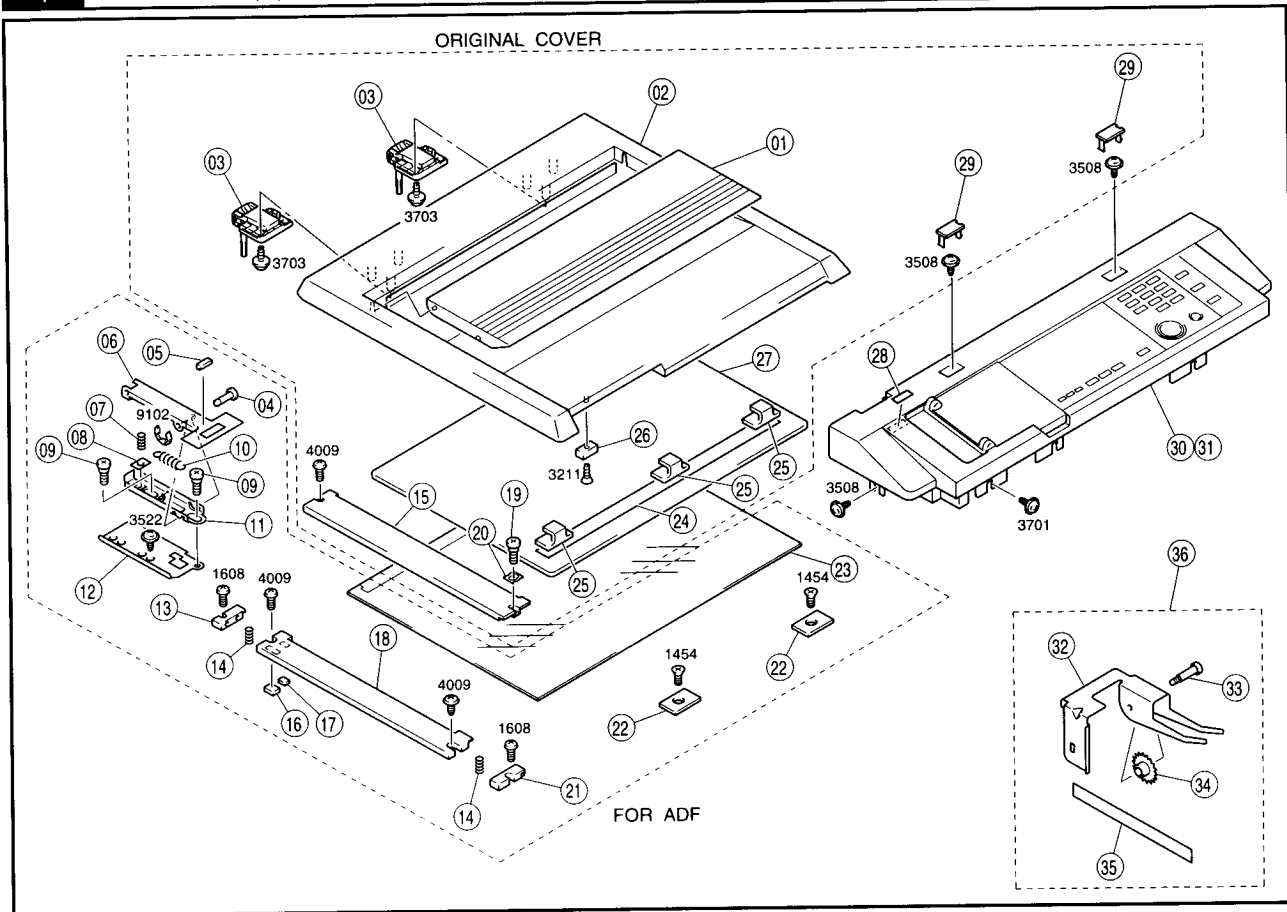
AREA CHART

AREA No.	AREA	(JAPAN)	AREA No.	AREA	(JAPAN)
0400	METRIC		2520	120V	
0412	METRIC(EXCEPT SAUDI ARABIA/HONG KONG/OCEANIA)		2540	115/127/220/240V	
0511	100/115/120/127V		2542	115/127/220/240V(EXCEPT EUROPE)	
0527	115V(INCH)		2543	120V/EUROPE/SOUTH AFRICA	
0702	EXCEPT USA/CANADA		2612	220/240V	
0703	EXCEPT EUROPE		2619	220/240V(EXCEPT EUROPE)	
0743	EXCEPT TAIWAN		2638	220/240V(EXCEPT EUROPE/OCEANIA/HONG KONG)	
0800	MINOLTA		2706	EUROPE	
2300	INCH		2712	TAIWAN	
2314	INCH/SAUDI ARABIA/HONG KONG/OCEANIA		2715	EXCEPT JAPAN/EUROPE	
2401	METRIC(EXCEPT JAPAN/TAIWAN)		2720	USA/CANADA/EUROPE	
2423	METRIC(EXCEPT JAPAN/TAIWAN/EUROPE)		2793	HONG KONG/OCEANIA	
2500	115V		2812	DEVELOP	
2504	115/120V				
2505	115/120/127V				
2517	115/120/200/220/240V				

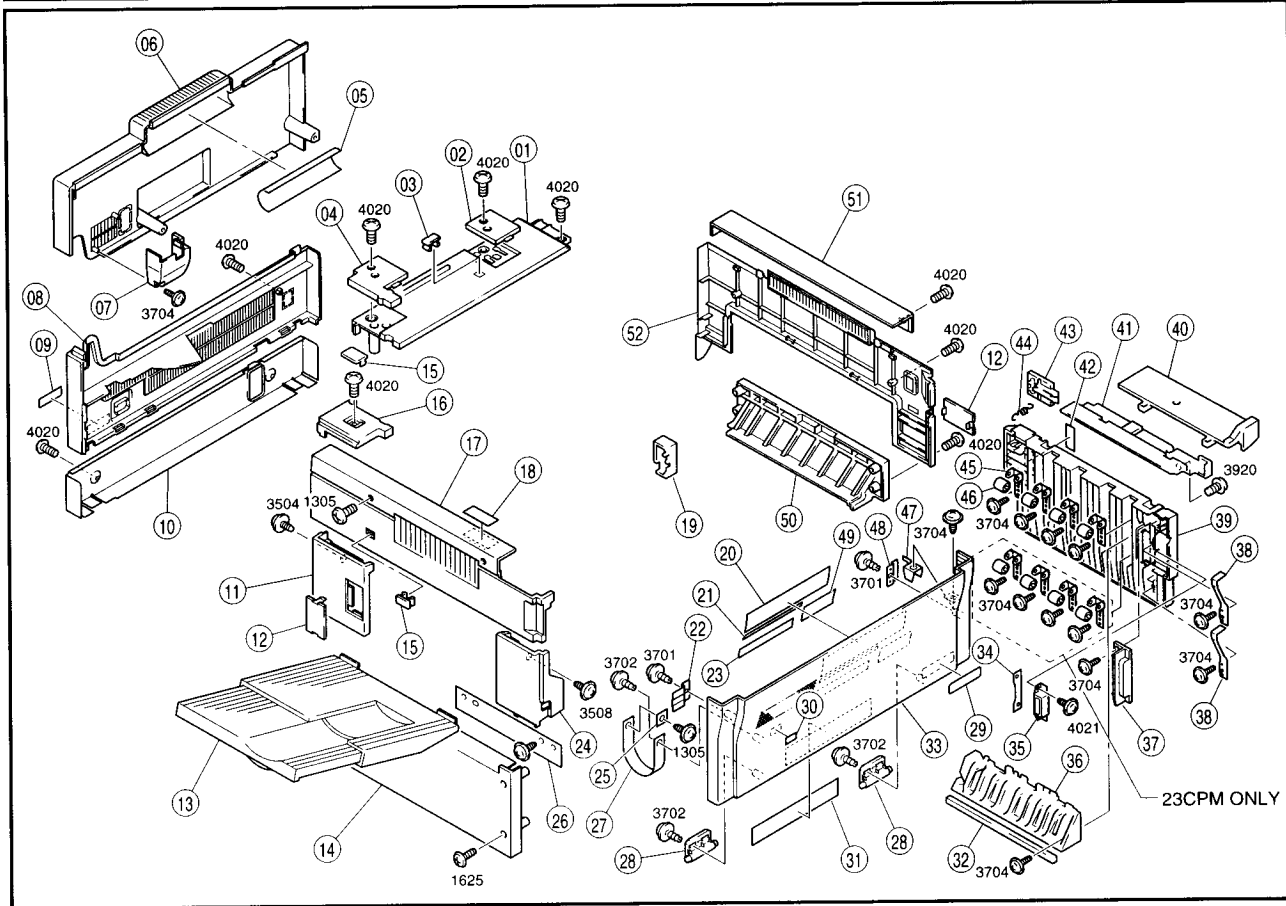
We recommend that you cross out from your Parts Manuals those parts numbers which do not apply your area so that no error is made when ordering parts.

CONTENTS

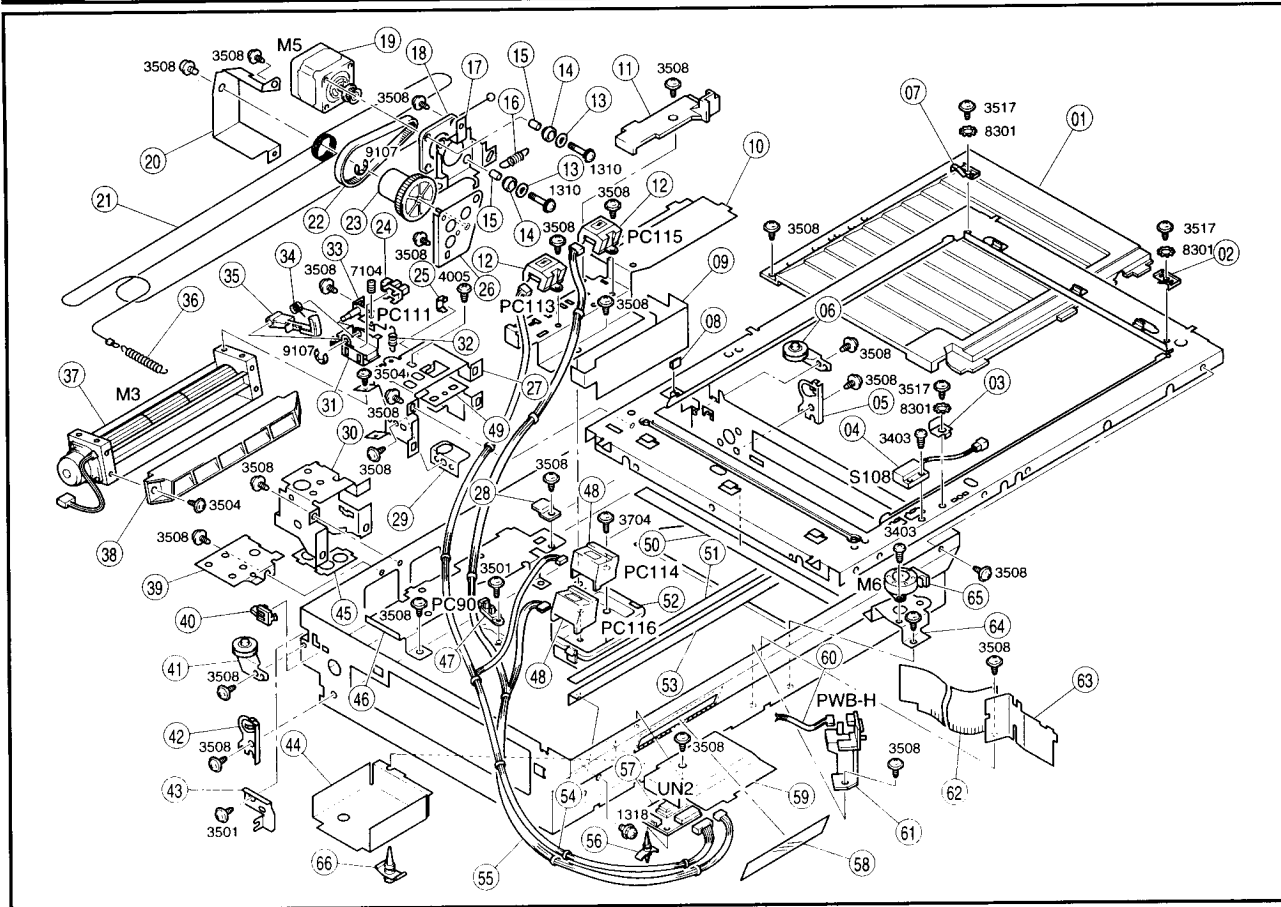
1.	HOUSING (A)	1
2.	HOUSING (B)	3
3.	OPTICAL FRAMES	5
4.	UPPER FRAMES	7
5.	LOWER FRAMES (A)	9
6.	LOWER FRAMES (B)	11
7.	EXPOSURE LAMP SECTION	13
8.	LENS SECTION	15
9.	OPTICAL DRIVE SECTION (A)	17
10.	OPTICAL DRIVE SECTION (B)	19
11.	PAPER TAKE-UP SECTION	21
12.	MULTIPLE BYPASS (A) MB-4	23
13.	MULTIPLE BYPASS (B) MB-4	25
14.	HOPPER SECTION	27
15.	IMAGING UNIT (A)	29
16.	IMAGING UNIT (B)	31
17.	PAPER TRANSPORT SECTION	33
18.	VACUUM SECTION	35
19.	FUSING SECTION	37
20.	ELECTRICAL COMPONENTS	39
21.	PAPER TRAY UNIT	41
22.	WIRING ACCESSORIES AND JIGS	43
23.	SCREWS AND WASHERS	45
24.	NUMERICAL INDEX	46



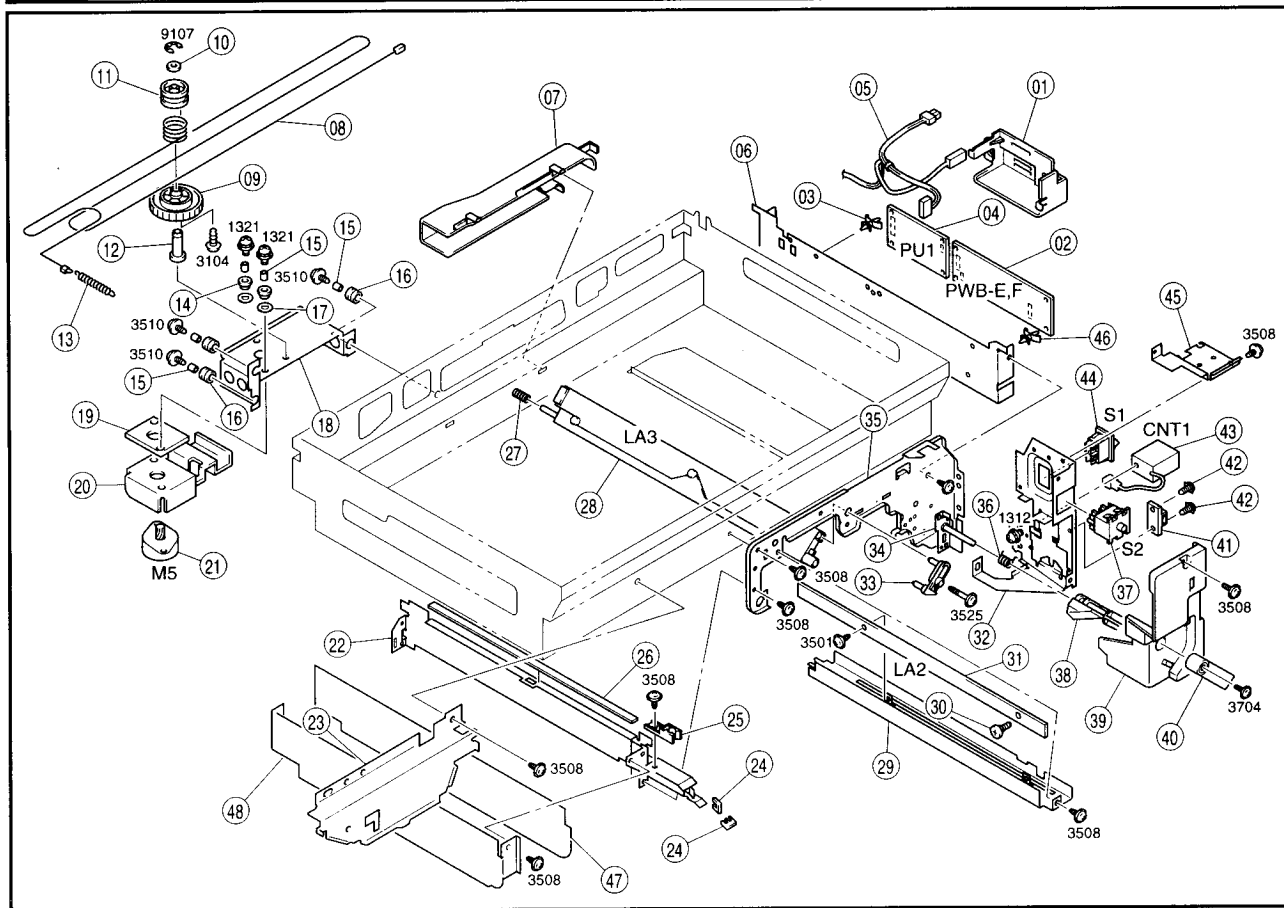
INDEX	PART NO.	PART NAME	QTY	AREA	REMARKS	INDEX	PART NO.	PART NAME	QTY	AREA	REMARKS
01AA	1139-1702-02	ORIGINAL HOLDER	1			*30DA	1174-0458-02	CONTROL PANEL	1		2712
02AA	1139-1701-04	ORIGINAL COVER	1			*30EA	1174-0453-02	CONTROL PANEL	1		2812
03AA	1139-1705-01	HINGE	2			*30FA	1174-0455-02	CONTROL PANEL	1		2812
04AA	1139-1921-01	SHAFT	1			*31AA	1175-0451-02	CONTROL PANEL	1		2300
05AA	1136-1901-01	SPACER	1			*31BA	1175-0452-02	CONTROL PANEL	1		2423
06AA	1151-1918-01	STOPPER	1			*31CA	1175-0453-02	CONTROL PANEL	1		2706
07AA	1139-1923-01	PRESSURE SPRING	1			*31DA	1175-0458-02	CONTROL PANEL	1		2712
08AA	1139-1922-02	POLYESTER FILM	1			*31EA	1175-0453-02	CONTROL PANEL	1		2812
09AA	1139-1919-02	SHOULDER SCREW	2			*31FA	1175-0455-02	CONTROL PANEL	1		2812
10AA	1139-1920-01	TENSION SPRING	1			32AA	1174-7801-01	GUIDE PLATE	1		
11AA	1139-1917-03	SLIDER	1			33AA	1136-7817-01	AXIS	1		
12AA	1139-1916-03	BRACKET	1			34AA	1136-7818-01	ROWEL	1		
13AA	1139-1906-01	HOLDER	1			35AA	1136-7823-01	LABEL	1		
14AA	1139-1904-02	PRESSURE SPRING	2			36AA	1174-0901-01	MODIFICATION KIT	1		
*15AA	1151-1753-01	WIDTH SCALE	1	2712							
*15BA	1151-1755-01	WIDTH SCALE	1	2401							
*15CA	1151-1754-01	WIDTH SCALE	1	2300							
16AA	1139-1909-01	SPONGE	1								
17AA	1139-1915-02	SPONGE	1								
*18AA	1151-1901-01	WIDTH SCALE	1	2712							
*18BA	1151-1903-01	WIDTH SCALE	1	2401							
*18CA	1151-1902-01	WIDTH SCALE	1	2300							
19AA	1065-1360-01	SHOULDER SCREW	1								
20AA	1053-3869-01	PLATE SPRING	1								
21AA	1139-1905-01	HOLDER	1								
22AA	1139-1907-01	PLATE	2								
*23AA	1151-0170-01	ORIGINAL GLASS	1	2712							
*23BA	1151-0172-01	ORIGINAL GLASS	1	2401							
*23CA	1151-0171-01	ORIGINAL GLASS	1	2300							
*23DA	1151-0173-01	ORIGINAL GLASS	1	2712	FOR ADF						
*23EA	1151-0175-01	ORIGINAL GLASS	1	2401	FOR ADF						
*23FA	1151-0174-01	ORIGINAL GLASS	1	2300	FOR ADF						
24AA	1139-1706-01	POLYESTER FILM	1								
25AA	1139-1703-03	SLIDER	3								
26AA	9326-2820-11	MAGNET	1								
27AA	1139-1704-14	PAD	1								
*28AA	1174-7373-01	LABEL	1	2520	MINOLTA 23CPM						
*28BA	1175-7373-01	LABEL	1	2520	MINOLTA 18CPM						
29AA	1139-1044-01	COVER	2								
*30AA	1174-0451-02	CONTROL PANEL	1	2300	MINOLTA 23CPM						
*30BA	1174-0452-02	CONTROL PANEL	1	2423	MINOLTA 23CPM						
*30CA	1174-0453-02	CONTROL PANEL	1	2706	MINOLTA 23CPM						



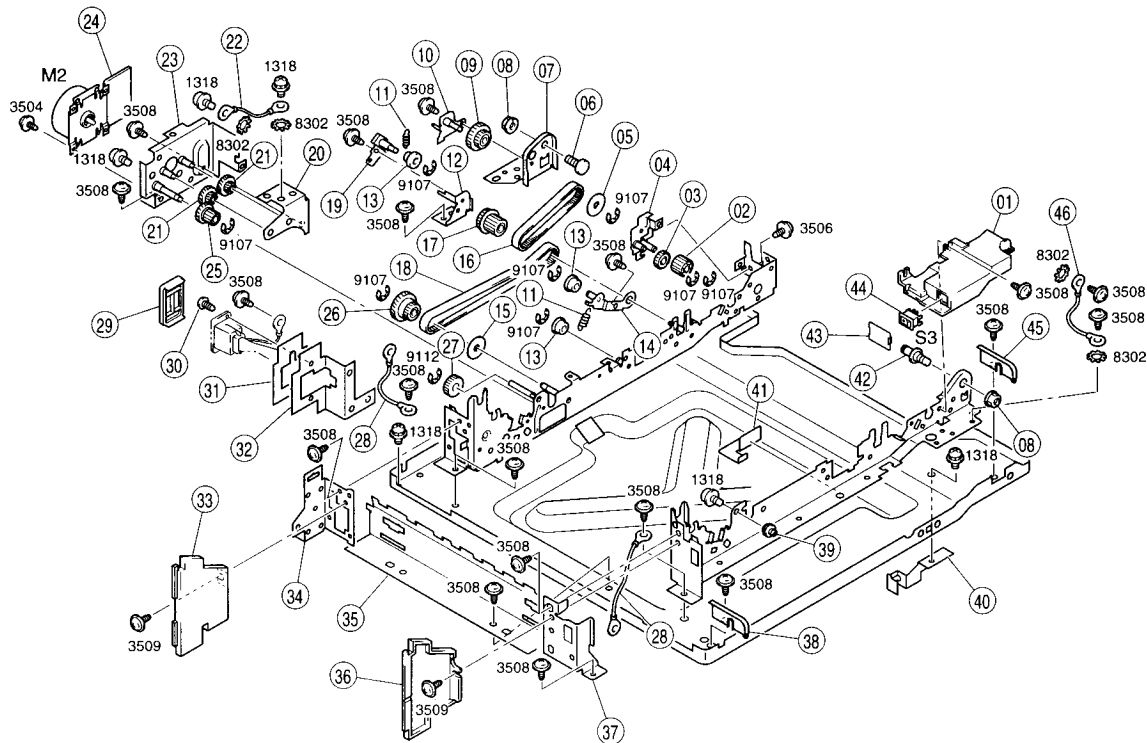
INDEX	PART NO.	PART NAME	QTY	AREA	REMARKS	INDEX	PART NO.	PART NAME	QTY	AREA	REMARKS
01AA	1174-1002-01	TOP COVER-RT	1			*33AA	1174-1001-02	FRONT COVER MINOLTA 23CPM	1	2540	
02AA	1139-1035-01	COVER FOR ORI COVER	1			*33BA	1174-1047-02	FRONT COVER MINOLTA	1	2520	
03AA	1139-1727-01	COVER 18CPM	1			*33CA	1175-1001-02	FRONT COVER MINOLTA 18CPM	1	2540	
*03BA	1139-1727-01	COVER MINOLTA 23CPM	1	2520		*33EA	1174-1048-02	FRONT COVER 23CPM	1	2812	
*03CA	1139-1727-01	COVER EX. EU 23CPM	1	2812		*33FA	1175-1046-02	FRONT COVER 18CPM	1	2812	
04AA	1174-1042-01	COVER FOR ORI COVER	1			34AA	1139-3141-01	BRACKET	1		
05AA	1149-1662-02	FILTER 23CPM	1			35AA	1273-3535-01	MAGNET CATCH	1		
06AA	1174-1006-01	REAR COVER-UPR 23CPM	1			36AA	1142-3108-01	GUIDE 18CPM	1		
06BA	1175-1006-01	REAR COVER-UPR 18CPM	1			37AA	1139-3142-01	HANDLE 23CPM	1		
07AA	1151-4523-01	DUCT	1			38AA	1151-3109-01	SPRING 23CPM	2		
08AA	1174-1007-02	REAR COVER	1			39AA	1139-3105-03	RIGHT COVER-LWR 23CPM	1		
*09AA	1174-7393-02	LABEL CAUTION	1	2706		39BA	1142-3105-03	RIGHT COVER-LWR 18CPM	1		
10AA	1151-1008-01	REAR COVER-LWR 23CPM	1			*40AA	1174-3130-01	TABLE 18CPM	1	0743	
11AA	1174-1033-01	COVER	1			*41AA	1139-3144-01	GUIDE 18CPM	1	0743	
12AA	1174-1015-01	COVER	2			42AA	1142-7301-12	SEAL 18CPM	1		
13AA	1174-0167-01	TRAY	1			*43AA	1139-3145-01	COVER 18CPM	1	0743	
14AA	1139-1037-02	LEFT COVER-LWR 23CPM	1			*44AA	1139-3146-01	TENSION SPRING 18CPM	1	0743	
14BA	1175-1037-01	LEFT COVER-LWR 18CPM	1			45AA	1139-3104-01	HOLDER	8		
15AA	1139-1039-01	COVER	2			46AA	1139-3103-01	ROLL	8		
16AA	1174-1041-01	COVER	1			47AA	1174-1018-01	LEVER	1		
17AA	1174-1005-02	LEFT COVER-UPR 23CPM	1			48AA	1033-3102-01	PLATE	1		
17BA	1175-1005-02	LEFT COVER-UPR 18CPM	1			49AA	1139-7332-12	LABEL	1		
18AA	1151-7311-01	LABEL PUSH	1			*50AA	1175-1004-01	RIGHT COVER-MID 18CPM	1	0743	
19AA	1142-3101-02	COVER 18CPM	1			51AA	1174-1009-02	RIGHT COVER	1		
20AA	1151-7317-01	LABEL TONER BOTTLE	1			52AA	1174-1052-01	RIGHT COVER	1		
*21AA	1174-7375-01	LABEL MINOLTA 23CPM	1	2706							
*21BA	1174-7376-01	LABEL MINOLTA 23CPM	1	2715							
*21CA	1175-7375-01	LABEL MINOLTA 18CPM	1	2706							
*21DA	1175-7376-01	LABEL MINOLTA 18CPM	1	2715							
*21EA	1174-7377-01	LABEL 23CPM	1	2812							
*21FA	1175-7377-01	LABEL 18CPM	1	2812							
22AA	1139-1040-01	PLATE	1								
*23AA	1139-7328-01	LABEL AVOID MINOLTA	1	2520							
24AA	1174-1031-01	COVER	1								
25AA	1053-3103-01	PLATE	1								
26AA	1152-2301-01	PLATE 18CPM	1								
27AA	1139-1022-01	BAND	1								
28AA	1174-1017-01	HINGE	2								
*29AA	1139-7347-01	LABEL	1	0800							
*30AA	1136-7326-01	LABEL	1	2812							
31AA	1151-7320-01	LABEL JAM REMOVAL	1								
*32AA	1152-3193-01	SPONGE 18CPM	1	2706							



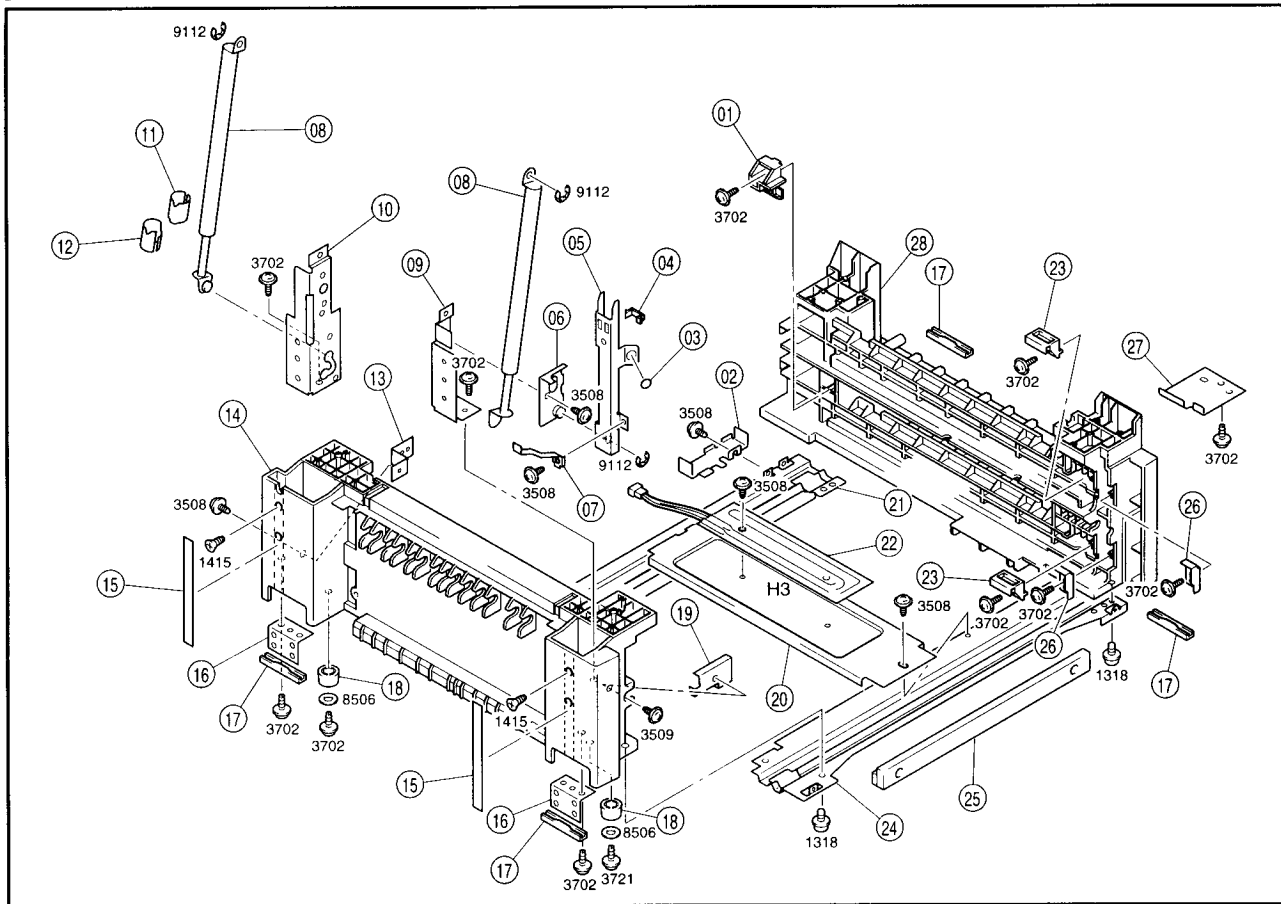
INDEX	PART NO.	PART NAME	QTY	AREA	REMARKS	INDEX	PART NO.	PART NAME	QTY	AREA	REMARKS
01AA	1139-1532-03	COVER	1			37AA	9313-1610-31	MOTOR 23CPM (M3)	1		
02AA	1139-1319-12	SUPPORT	1			38AA	1149-1661-01	DUCT 23CPM	1		
03AA	1139-1318-12	SUPPORT	1			39AA	1139-1333-02	BRACKET	1		
04AA	9334-2610-11	REFED SWITCH SIZE (S108)	1			40AA	1139-1612-01	GUIDE	1		
05AA	1139-1327-01	BRACKET	1			41AA	1139-0211-01	PULLEY	1		
06AA	1139-0210-01	PULLEY	1			42AA	1151-1326-01	BRACKET	1		
07AA	1139-1320-12	SUPPORT	1			43AA	1139-1615-01	SET PLATE 18CPM	1		
08AA	1151-1356-01	SEAL	1			*44AA	1151-1338-02	COVER MINOLTA 23CPM	1	0702	
09AA	1151-1539-02	LIGHT SHIELD	1			*44BA	1151-1338-02	COVER EX. EU 23CPM	1	2812	
10AA	1151-1322-01	BRACKET	1			45AA	1151-1316-01	SUPPORT PLATE	1		
11AA	1151-1355-01	LIGHT SHIELD PLATE	1			46AA	1151-1325-01	GUIDE PLATE	1		
12AA	9335-1310-11	PHOTO INTERRUPTER OPTION 23CPM	2			47AA	9335-1310-41	PHOTO INTERRUPTER LENS (PC90)	1		
13AA	1200-1422-02	WASHER 23CPM	2			48AA	9335-1310-21	PHOTO INTERRUPTER OPTION 23CPM	2		
14AA	1139-1621-01	RETAINING RING 23CPM	2			49AA	1151-1330-01	ADJUSTING PLATE	1		
15AA	1139-1625-01	SLEEVE 23CPM	2			50AA	1139-1321-01	SHEET	1		
16AA	1136-1378-01	TENSION SPRING 23CPM	1			51AA	1151-1337-01	TAPE	1		
17AA	1149-1602-01	BRACKET 23CPM	1			52AA	1139-1324-02	HOLDER	1		
18AA	1149-1624-01	RUBBER STRIP 23CPM	1			53AA	1151-1329-01	RAIL	1		
19AA	9314-1810-11	MOTOR 23CPM (M5)	1			54AA	1151-6814-01	HARNESS OPTION 23CPM	1		
20AA	1174-1637-01	BRACKET 23CPM	1			55AA	1151-6813-01	HARNESS OPTION 23CPM	1		
21AA	1174-1601-01	WIRE 23CPM	1			56AA	9384-1900-56	PWB SUPPORT 6.35H OPTION 23CPM	4		
22AA	1149-1631-01	TIMING BELT 23CPM	1			57AA	1139-6008-14	PW BOARD 23CPM OP (UN2)	1		
23AA	1149-1603-01	PULLEY 72T 23CPM	1			58AA	1150-1067-01	POLYESTER FILM 23CPM	1		
24AA	9335-1310-31	PHOTO INTERRUPTER 23CPM (PC111)	1			*59AA	1174-1332-01	COVER MINOLTA 23CPM	1	0702	
*25AA	1053-4432-01	CORD CLAMP MINOLTA 23CPM	1	2520		*59BA	1174-1332-01	COVER EX. EU 23CPM	1	2812	
*25BA	1053-4432-01	CORD CLAMP EX. EU 23CPM	1	2812		60AA	1151-6831-01	HARNESS OPTION 23CPM	1		
26AA	1174-0201-01	PLATE 23CPM	1			61AA	1139-0106-01	PW BOARD-H (PWB-H)	1		
27AA	1151-1314-01	BRACKET	1			62AA	1139-1533-01	SHIELD	1		
28AA	1139-1422-01	CORD CLAMP	1			63AA	1139-1535-02	BRACKET	1		
29AA	1151-1354-01	SUPPORT PLATE	1			64AA	1139-1530-01	BRACKET	1		
30AA	1151-1313-01	BRACKET	1			65AA	9314-1310-21	MOTOR LENS (M6)	1		
*31AA	1151-1721-01	BRACKET MINOLTA 23CPM	1	2520		*66AA	9384-1900-61	PWB SUPPORT 6.35H MINOLTA 23CPM	1	0702	
*31BA	1151-1721-01	BRACKET EX. EU 23CPM	1	2812		*66BA	9384-1900-61	PWB SUPPORT 6.35H EX. EU 23CPM	1	2812	
*32AA	1139-1725-01	TENSION SPRING MINOLTA 23CPM	1	2520							
*32BA	1139-1725-01	TENSION SPRING EX. EU 23CPM	1	2812							
*33AA	1151-1726-01	BRACKET MINOLTA 23CPM	1	2520							
*33BA	1151-1726-01	BRACKET EX. EU 23CPM	1	2812							
*34AA	1139-1724-01	TORSION SPRING MINOLTA 23CPM	1	2520							
*34BA	1139-1724-01	TORSION SPRING EX. EU 23CPM	1	2812							
*35AA	1151-1722-01	LEVER MINOLTA 23CPM	1	2520							
*35BA	1151-1722-01	LEVER EX. EU 23CPM	1	2812							
36AA	1174-1611-01	TENSION SPRING 23CPM	1								



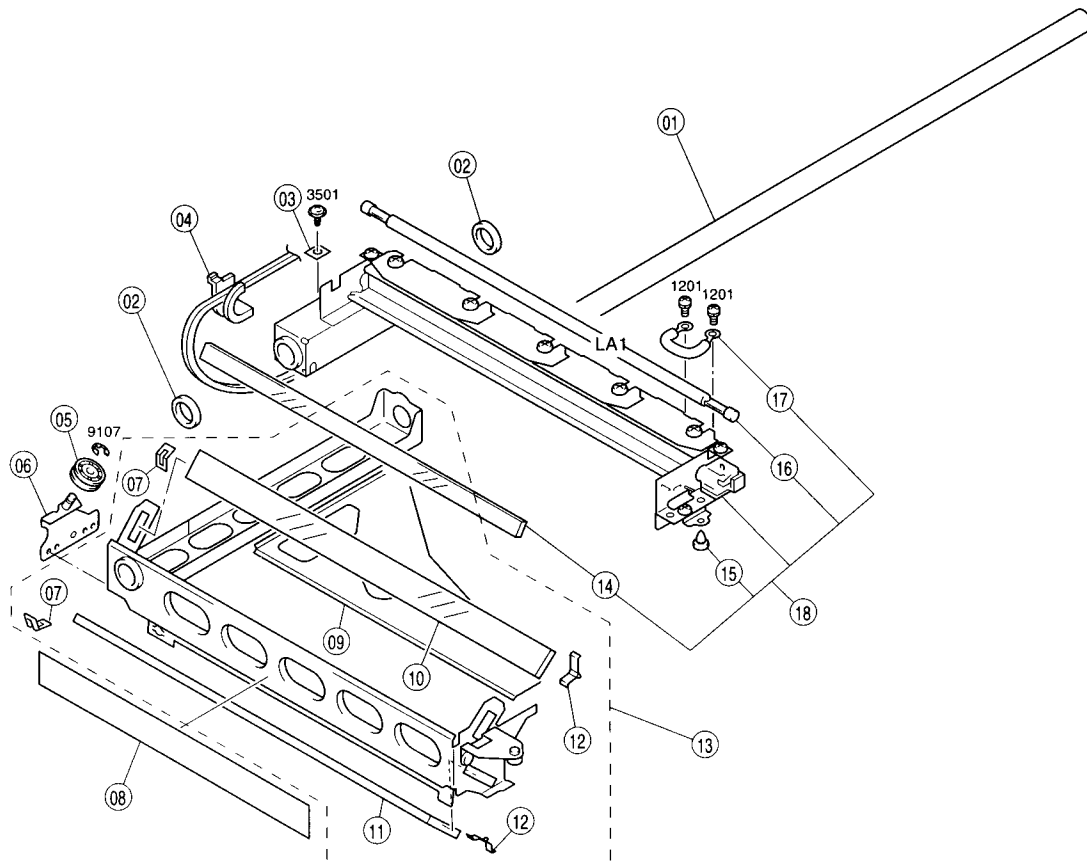
INDEX	PART NO.	PART NAME	QTY	AREA	REMARKS	INDEX	PART NO.	PART NAME	QTY	AREA	REMARKS
*01AA	1139-2316-02	COVER	1	0703		37AA	9331-1810-11	MICRO SWITCH FNT DOOR (S2)	1		
*01BA	1149-2316-01	COVER	1	2706		38AA	1139-2033-03	LOCK LEVER	1		
02AA	1174-0106-02	PW BOARD-F 23CPM (PWB-F)	1			39AA	1174-1023-01	COVER	1		
02BA	1139-0105-03	PW BOARD-E 18CPM (PWB-E)	1			40AA	1139-2027-02	LOCK RELEASE LEVER	1		
03AA	9384-1900-56	PWB SUPPORT 6.35H	4			41AA	1500-2640-04	MAGNET CATCH	1		
*04AA	9325-3010-31	PWB-REGULATOR POWER (PU1)	1	0511		42AA	1139-2338-01	TAPPING SCREW	2		
*04BA	9325-3010-21	PWB-REGULATOR POWER (PU1)	1	2619		43AA	9323-1410-11	COUNTER TOTAL (CNT1)	1		
*04CA	9325-3610-11	PWB-PU POWER (PU1)	1	2706		44AA	9332-5810-11	SWITCH MAIN (S1)	1		
*05AA	1174-6801-02	HARNESS	1	0511		45AA	1174-2383-01	PLATE	1		
*05BA	1174-6802-02	HARNESS	1	2619		46AA	9384-1710-71	PWB SUPPORT 23CPM	5		
*05CA	1174-6817-02	HARNESS	1	2706		46BA	9384-1710-71	PWB SUPPORT 18CPM	4		
06AA	1151-2004-02	REINFORCE PLATE	1			47AA	1151-2052-01	SHEET	1		
07AA	1139-4504-01	DUCT	1			48AA	1151-2051-01	PLATE	1		
08AA	1175-1601-01	WIRE 18CPM	1								
09AA	1151-1603-01	GEAR 119T 18CPM	1								
10AA	1139-1614-01	COLLAR 18CPM	1								
11AA	1151-1613-01	PULLEY 18CPM	1								
12AA	1139-1604-01	SHAFT 18CPM	1								
13AA	1151-1611-01	TENSION SPRING 18CPM	1								
14AA	1139-1621-01	RETAINING RING 18CPM	2								
15AA	1139-1625-01	SLEEVE 18CPM	5								
16AA	1139-1620-01	RETAINING RING 18CPM	3								
17AA	1200-1422-02	WASHER	2								
18AA	1151-1602-01	BRACKET 18CPM	1								
19AA	1012-1624-01	RUBBER STRIP 18CPM	1								
20AA	1151-1630-01	BRACKET 18CPM	1								
21AA	9314-1610-11	MOTOR 18CPM (M5)	1								
22AA	1139-2005-01	RAIL	1								
23AA	1139-1038-01	COVER 18CPM	1								
24AA	1139-2030-01	EDGE COVER	2								
25AA	1139-5015-01	LOCK LEVER	1								
26AA	1139-2029-01	SPONGE	1								
27AA	1066-1283-01	PRESSURE SPRING	1								
28AA	1174-6501-01	PWB-LAMP IMAGE (LA3)	1								
29AA	1139-4031-02	BRACKET	1								
30AA	1139-4033-02	SHOULDER SCREW	1								
31AA	9351-1810-11	PWB-LAMP MAIN (LA2)	1								
32AA	1174-2301-01	BRACKET	1								
33AA	1139-4034-03	HOLDER	1								
34AA	1151-0208-01	AXLE PLATE	1								
35AA	1151-2002-02	FRAME	1								
36AA	1139-2026-01	TORSION SPRING	1								



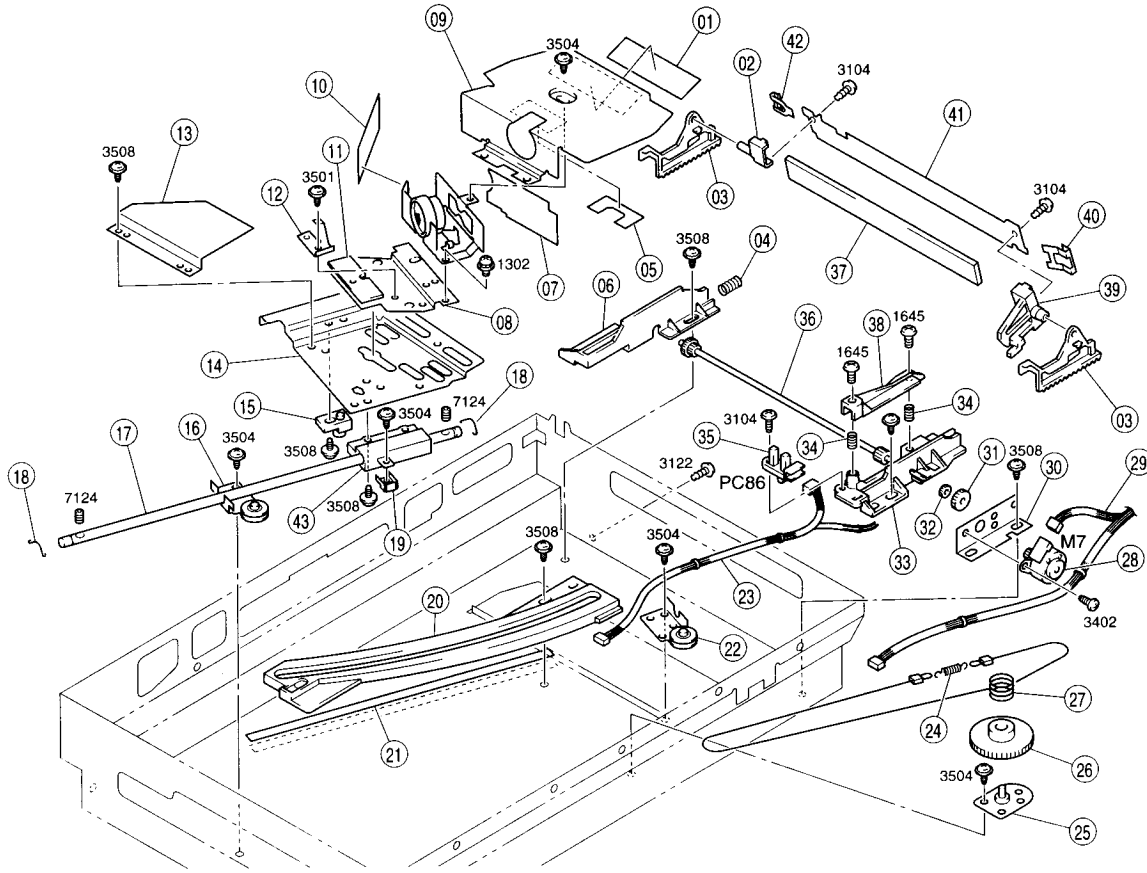
INDEX	PART NO.	PART NAME	QTY	AREA	REMARKS	INDEX	PART NO.	PART NAME	QTY	AREA	REMARKS
01AA	1174-2308-01	GUIDE	1			43AA	1174-2382-01	COVER	1		
02AA	1139-3136-01	GEAR 16T	1			*44AA	9332-5310-21	SWITCH	1	2517	
03AA	1300-3122-32	GEAR 18T	1			45AA	1174-1020-01	HINGE	1		
04AA	1151-0215-01	BRACKET	1			46AA	1061-6845-03	GROUND WIRE	1		
05AA	1151-2525-01	WASHER	1								
06AA	1100-1362-11	SHOULDER SCREW	1								
07AA	1139-2008-03	SUPPORT	1								
08AA	1052-2306-01	NUT	2								
09AA	1151-2518-01	PLY GEAR 30/30T	1								
10AA	1151-0213-01	BRACKET	1								
11AA	1139-2530-01	TENSION SPRING	2								
12AA	1151-2521-01	BRACKET	1								
13AA	1067-2513-01	PULLEY	3								
14AA	1151-0212-01	BRACKET	1								
15AA	1151-2579-01	WASHER	1								
16AA	1151-2578-01	TIMING BELT	1								
17AA	1151-2516-02	PLY GEAR 22/30T	1								
18AA	1151-2515-01	TIMING BELT	1								
19AA	1151-0214-01	BRACKET	1								
20AA	1151-2502-01	BRACKET	1								
21AA	1151-2503-01	GEAR 15/56T	2								
22AA	1149-6842-01	HARNES	1								
23AA	1151-0211-01	BRACKET	1								
24AA	9314-2610-11	PWB-MOTOR	1	MAIN	(M2)						
25AA	1151-2505-01	GEAR 16/24T	1								
26AA	1151-2512-01	PLY GEAR 30/30T	1								
27AA	1139-2507-01	GEAR 20T	1								
28AA	0870-6061-01	GROUND WIRE	2								
29AA	9384-2310-41	COVER	1								
30AA	1151-2350-01	SHOULDER SCREW	2								
31AA	1151-2373-01	SHEET	1								
32AA	1151-2320-02	BRACKET	1								
33AA	1174-1014-01	COVER	1								
34AA	1151-2104-02	REINFORCE PLATE	1								
35AA	1151-2102-03	BRACKET	1								
36AA	1174-1013-01	COVER	1								
37AA	1151-2103-01	REINFORCE PLATE	1								
38AA	1174-1019-01	HINGE	1								
39AA	1151-5550-01	PIN	1								
40AA	1139-3023-02	BRACKET	1								
41AA	1151-2369-01	COVER	1								
42AA	1139-2035-01	PIN	1								



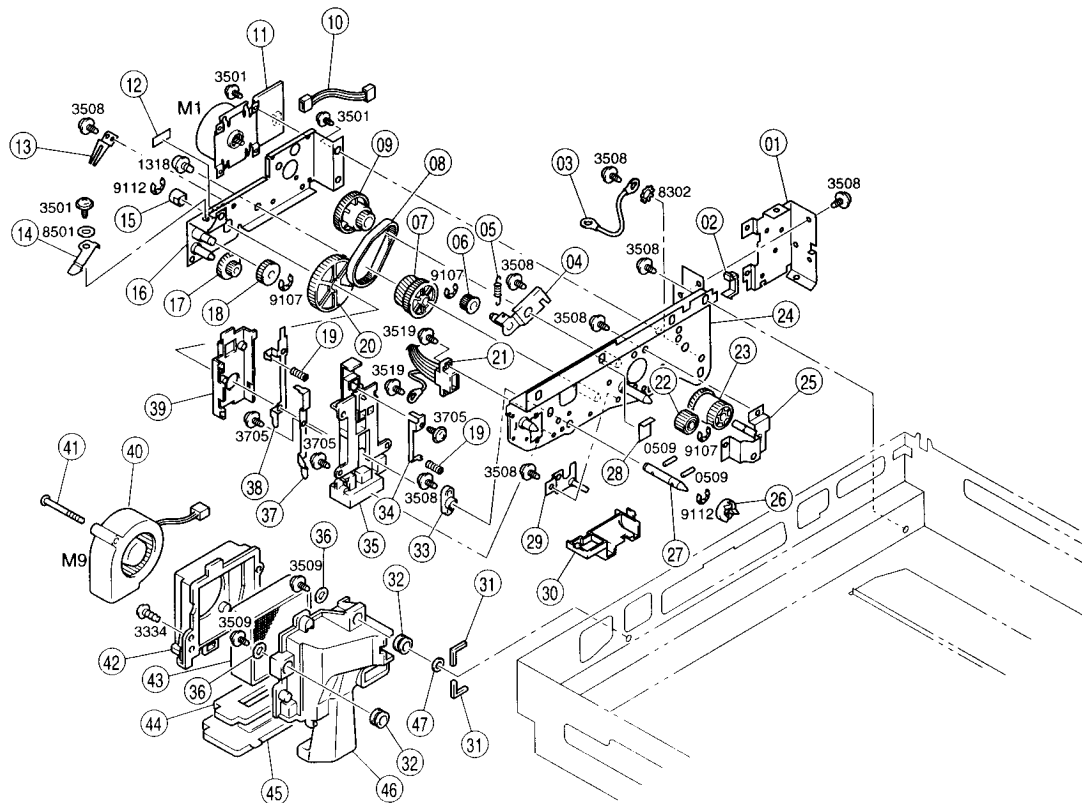
INDEX	PART NO.	PART NAME	QTY	AREA	REMARKS	INDEX	PART NO.	PART NAME	QTY	AREA	REMARKS
01AA	1139-3213-02	POSITIONING PLATE	1								
02AA	1152-2370-02	COVER	1								
*03AA	1139-7316-01	LABEL M2	1	2720							
*04AA	1079-1017-01	GUIDE	1	2720							
*05AA	1139-2036-01	LOCK RELEASE LEVER	1	2720							
*06AA	1139-0255-01	BRACKET	1	2720							
*07AA	1139-2039-01	PLATE SPRING	1	2720							
08AA	1139-2009-01	BALANCER	2								
09AA	1151-3209-01	BRACKET	1								
10AA	1151-3210-02	BRACKET	1								
*11AA	1139-2043-01	LOCK RING	1	2720							
*12AA	1139-7366-01	SEAL	1	2720							
13AA	1151-1029-01	PLATE	1	23CPM							
14AA	1139-3201-04	LEFT RAIL	1	23CPM							
14BA	1142-3201-06	LEFT RAIL	1	18CPM							
15AA	1139-7301-12	SEAL	2	23CPM							
15BA	1142-7301-12	SEAL	2	18CPM							
16AA	1139-3211-01	BRACKET	2	23CPM							
17AA	1139-3215-01	HANDLE	4	23CPM							
17BA	1139-3215-01	HANDLE	2	18CPM							
18AA	1065-2053-01	RUBBER FOOT	2								
19AA	1139-3216-01	STOPPER	1	23CPM							
20AA	1142-3059-13	HOLDER	1	18CPM							
21AA	1139-3204-04	REINFORCE PLATE	1	23CPM							
21BA	1142-3204-01	REINFORCE PLATE	1	18CPM							
*22AA	9352-6310-11	HEATER	(H3) 1	2517							
23AA	1139-3212-02	POSITIONING PLATE	2	23CPM							
23BA	1139-3212-02	POSITIONING PLATE	1	18CPM							
24AA	1139-3203-02	REINFORCE PLATE	1	23CPM							
24BA	1142-3203-01	REINFORCE PLATE	1	18CPM							
*25AA	1152-3263-01	SPONGE	1	2706							
26AA	1139-3214-01	PLATE	2	23CPM							
26BA	1139-3214-01	PLATE	1	18CPM							
27AA	1142-3007-01	PLATE	1	18CPM							
28AA	1139-3202-04	RIGHT RAIL	1	23CPM							
28BA	1142-3202-05	RIGHT RAIL	1	18CPM							



INDEX	PART NO.	PART NAME	QTY	AREA	REMARKS	INDEX	PART NO.	PART NAME	QTY	AREA	REMARKS
01AA	1139-1328-02	SHAFT	1								
02AA	1139-1334-02	PAD	2								
03AA	1151-1413-01	SET PLATE	1								
04AA	1174-1457-01	GUIDE	1								
05AA	1139-1608-01	BALL BEARING	1								
06AA	1139-1458-04	BRACKET	1								
07AA	1065-1504-02	PLATE SPRING	2								
08AA	1149-1471-01	LIGHT SHIELD	1		23CPM						
09AA	1139-1461-01	LIGHT SHIELD	1								
10AA	1151-7802-01	MIRROR	1								
11AA	1139-1303-01	MIRROR	1								
12AA	1065-1506-02	PLATE SPRING	2								
13AA	1151-0156-03	2ND SLIDER	1								
14AA	1139-7801-01	MIRROR	1								
15AA	1067-1415-02	GUIDE	1								
*16AA	9351-2610-11	TUBE LAMP	1		(LA1)				0511		
*16BA	9351-2610-21	TUBE LAMP	1		(LA1)				2612		
17AA	1151-7801-01	THERMAL FUSE	1								
*18AA	1151-0152-02	SCANNER UNIT	1						0511		
*18BA	1151-0153-02	SCANNER UNIT	1						2612		

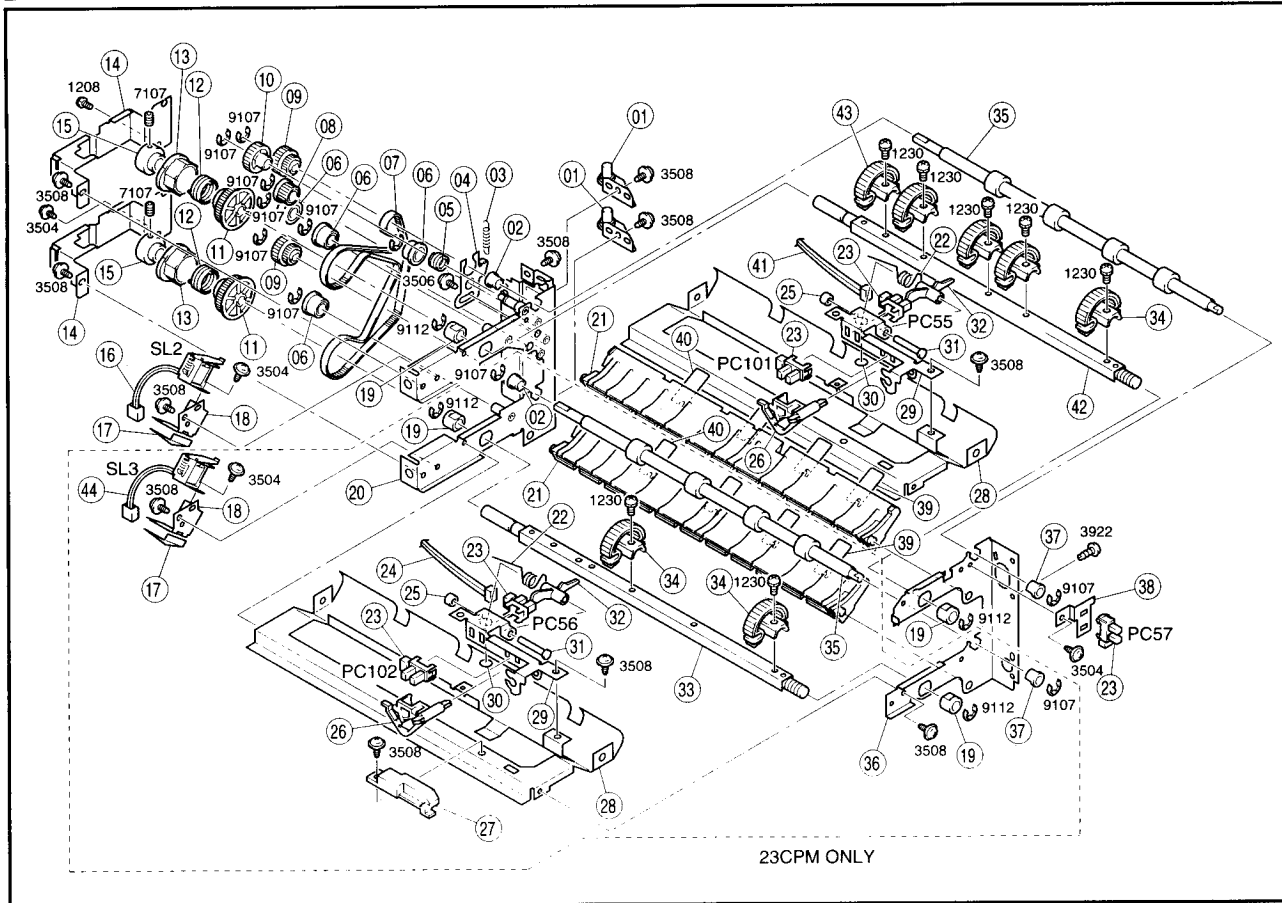


INDEX	PART NO.	PART NAME	QTY	AREA	REMARKS	INDEX	PART NO.	PART NAME	QTY	AREA	REMARKS
01AA	1139-1548-01	SHIELD CLOTH	1			40AA	1139-1564-01	PLATE SPRING	1		
02AA	1139-1552-01	HOLDER	1			41AA	1139-1560-01	BRACKET	1		
03AA	1139-1553-02	RACK GEAR	2			42AA	1139-1562-01	PLATE SPRING	1		
04AA	1400-1132-06	PRESSURE SPRING	1			43AA	1139-1513-02	HOLDER	1		
05AA	1139-1537-01	SPONGE	1								
06AA	1139-1556-01	RAIL	1								
07AA	1151-1538-01	POLYESTER FILM	1								
08AA	1139-0207-03	BRACKET	1								
09AA	1151-1531-01	COVER	1								
10AA	1151-1534-01	POLYESTER FILM	1								
11AA	1139-1517-01	PLATE	1								
12AA	1139-1505-03	PLATE SPRING	1								
13AA	1139-1516-02	GUIDE PLATE	1								
14AA	1151-1508-01	BASE FRAME	1								
15AA	1136-1423-01	BUSH	1								
16AA	1139-0201-01	WIRE PULLEY	1								
17AA	1139-1521-01	SHAFT	1								
18AA	1139-1523-02	SPRING	2								
19AA	1139-1509-01	SUPPORT PLATE	1								
20AA	1139-1510-01	CAM 0	1								
20BA	1139-1511-01	CAM -	1								
20CA	1139-1512-01	CAM +	1								
21AA	1151-1571-01	TAPE	1								
22AA	1139-0202-01	WIRE PULLEY	1								
23AA	1174-6811-01	HARNESS	1		23CPM						
23BA	1174-6812-01	HARNESS	1		18CPM						
24AA	1139-1518-12	TENSION SPRING	1								
25AA	1065-0229-01	BRACKET	1								
26AA	1065-1757-01	PLY GEAR 108T	1								
27AA	1174-1525-01	WIRE	1								
28AA	9314-1310-31	MOTOR	1		MIRROR (M7)						
29AA	1139-6825-01	HARNESS	1								
30AA	1139-1561-01	BRACKET	1								
31AA	1139-1557-01	GEAR 12/36T	1								
32AA	1139-1558-01	GEAR 12/15T	1								
33AA	1139-1555-02	RAIL	1								
34AA	1400-1133-08	PRESSURE SPRING	2								
35AA	9335-1310-41	PHOTO INTERRUPTER	1		MIRROR (PC86)						
36AA	1139-1559-01	GEAR 14/18T	1								
37AA	1139-1304-01	MIRROR	1								
38AA	1139-1563-01	CAM	1								
39AA	1139-1551-02	HOLDER	1								



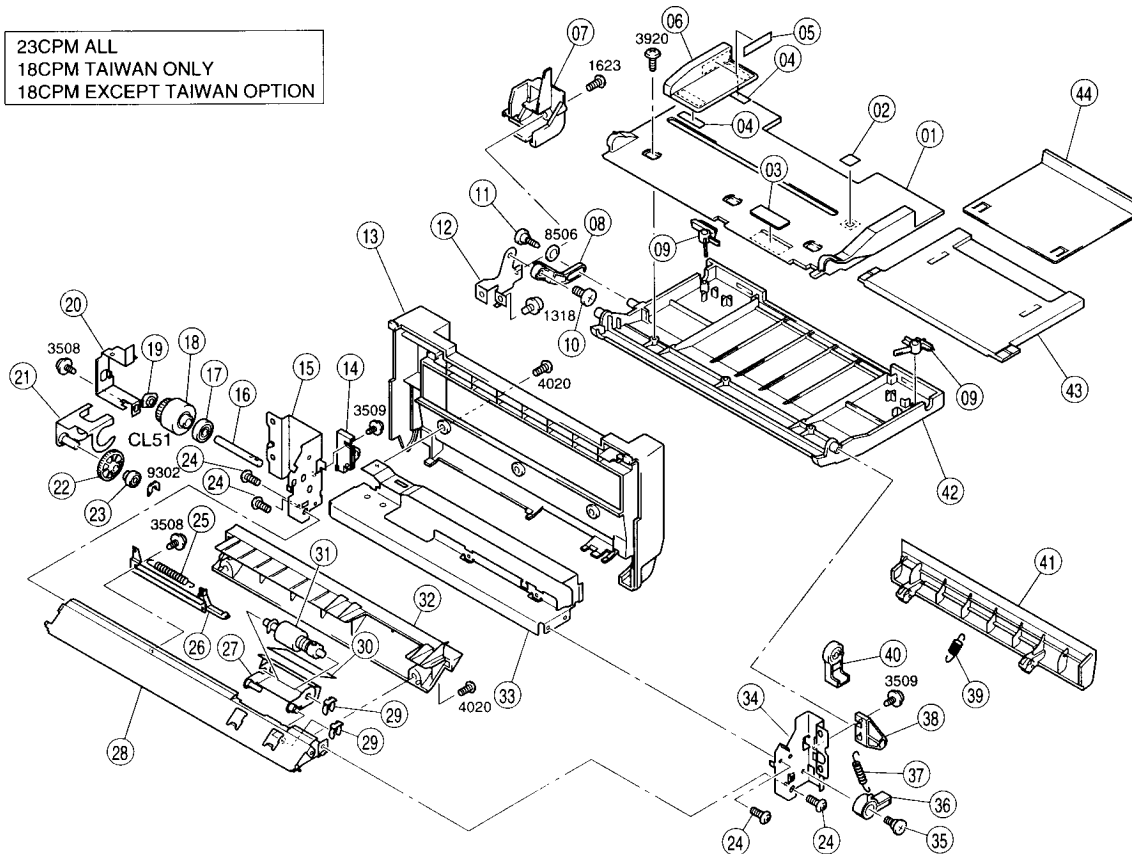
INDEX	PART NO.	PART NAME	QTY	AREA	REMARKS	INDEX	PART NO.	PART NAME	QTY	AREA	REMARKS
01AA	1151-2333-03	BRACKET	1			43AA	1151-4509-01	OZONE FILTER	1		
02AA	1065-5872-01	CORD CLAMP	1			44AA	1151-4522-01	SEAL	1		
03AA	1061-6845-03	GROUND WIRE	1			45AA	1151-4521-01	COVER	1		
04AA	1151-0217-01	BRACKET	1			46AA	1151-4501-02	DUCT	1		
05AA	1151-2575-01	TENSION SPRING	1			47AA	1151-4528-01	SPACER	1		
06AA	1151-2574-01	PULLEY 20T	1								
07AA	1151-2555-01	GEAR 54/60T	1								
08AA	1151-2576-01	TIMING BELT	1								
09AA	1151-2569-01	GEAR 24/80T	1								
10AA	1151-6830-01	HARNES	1								
11AA	9314-2610-11	PWB-MOTOR	1								
12AA	1129-7303-01	LABEL HIGH VOLTAGE	1								
13AA	1139-2559-01	GROUND PLATE	1								
14AA	1151-2580-02	PLATE SPRING	1								
15AA	1200-3131-03	BUSHING	1								
16AA	1151-0210-01	BRACKET	1								
17AA	1151-2563-01	GEAR 14/35T	1								
18AA	1151-2567-01	GEAR 29T	1								
19AA	1400-1122-04	PRESSURE SPRING	2								
20AA	1151-2557-01	GEAR 112T	1								
21AA	1151-6808-12	HARNES	1								
22AA	1151-2565-01	GEAR 20T	1								
23AA	1151-2561-01	GEAR 24/66T	1								
24AA	1151-0203-02	FRAME	1								
25AA	1151-0209-01	BRACKET	1								
26AA	1139-2560-01	JOINT	1								
27AA	1139-2558-02	SHAFT	1								
28AA	1151-2105-01	POLYESTER FILM	1								
29AA	1174-0202-01	BRACKET	1								
30AA	1139-4506-01	DUCT	1								
31AA	1151-4529-01	CUSHION	2								
32AA	1132-2044-01	SPACER	2								
33AA	1065-2753-01	BUSHING	1								
34AA	1151-4024-01	TERMINAL	1								
35AA	1151-4021-01	HOLDER	1								
36AA	1200-1431-01	WASHER	2								
37AA	1151-4023-01	TERMINAL	1								
38AA	1139-4022-01	TERMINAL	1								
39AA	1139-4025-01	COVER	1								
40AA	9313-1810-31	MOTOR	1								
41AA	1151-4524-01	TAPPING SCREW	2								
42AA	1151-4520-01	DUCT	1								

INDEX	PART NO.	PART NAME	QTY	AREA	REMARKS	INDEX	PART NO.	PART NAME	QTY	AREA	REMARKS
01AA	1139-4515-01	PLATE SPRING	2								
02AA	1139-4512-01	GROUND PLATE	1								
03AA	1139-4505-02	BRACKET	1								
04AA	1174-2388-01	SPACER	1								
05AA	1139-0205-01	BRACKET	1								
06AA	1139-2323-01	BRACKET	1								
07AA	1500-2640-04	MAGNET CATCH	1								
08AA	1139-2338-01	TAPPING SCREW	2								
09AA	9335-1310-51	PHOTO INTERRUPTER SCANNAR (PC81)	1								
10AA	1151-0207-02	BRACKET	1								
11AA	9384-2310-41	COVER	1								
12AA	1151-2321-01	BRACKET	1								
13AA	1139-2020-01	BRACKET	1								
14AA	1139-2014-01	RAWL	2								
15AA	1139-2016-01	TORSION SPRING	1								
16AA	1139-2021-02	BRACKET	1								
17AA	1139-2041-02	SHIELD	1								
18AA	1139-2019-01	BRACKET	1								
19AA	1139-2018-01	SHAFT	1								
20AA	1077-2101-02	LOCK RELEASE LEVER	1								
21AA	1139-1652-01	COVER 18CPM	1								
22AA	1151-1653-01	CUSHION 18CPM	1								
23AA	9313-1810-11	MOTOR 18CPM (M3)	1								
24AA	1139-1011-01	SPONGE 18CPM	2								
25AA	1139-1012-02	FILTER 18CPM	1								
26AA	1149-1061-01	COVER 23CPM	1								
27AA	1150-1030-01	BRACKET 23CPM	1								
27BA	1139-1030-01	BRACKET 18CPM	1								
28AA	1139-1036-03	SET PLATE 18CPM	1								
29AA	1139-1651-01	DUCT 18CPM	1								
30AA	1139-1010-04	COVER 18CPM	1								



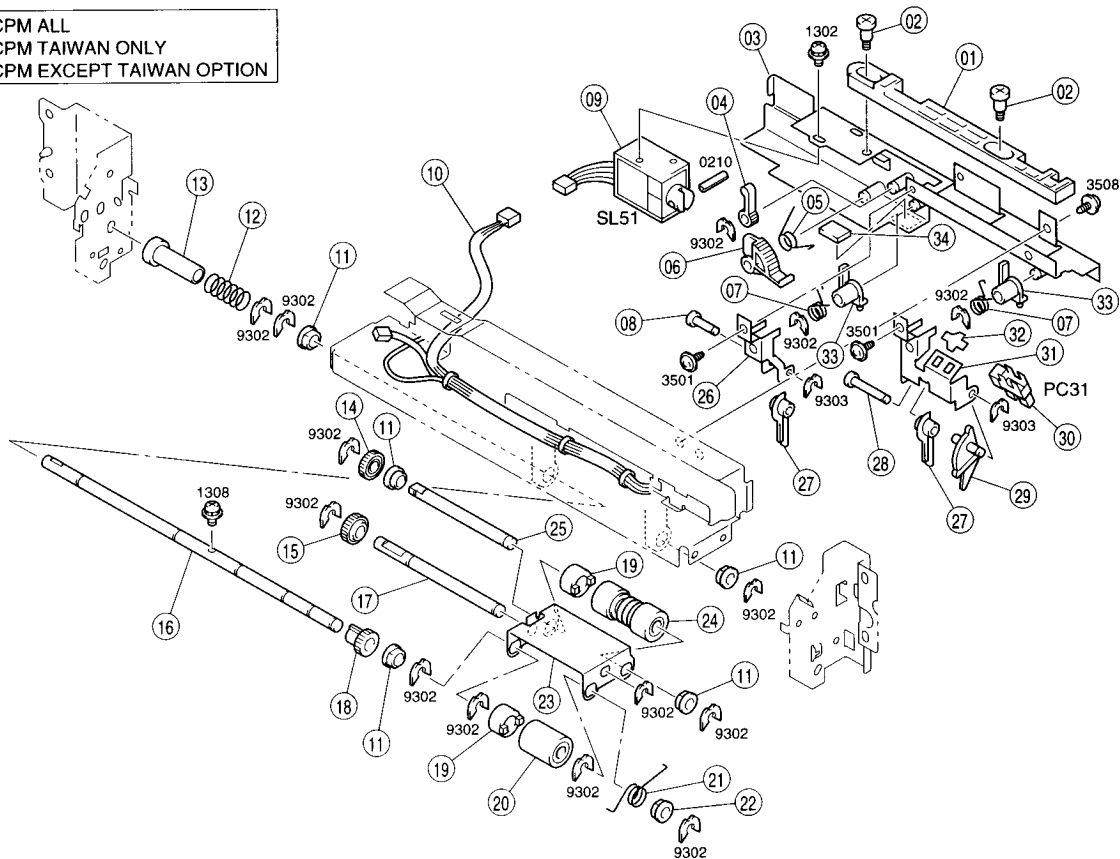
INDEX	PART NO.	PART NAME	QTY	AREA	REMARKS	INDEX	PART NO.	PART NAME	QTY	AREA	REMARKS
01AA	1139-0221-01	AXLE PLATE 23CPM	2			34AA	1151-3001-01	PAPER FEED ROLLER	6		
01BA	1142-3106-01	AXLE PLATE 18CPM	1			35AA	1151-3110-02	ROLLER	2		
02AA	1200-3121-07	BUSHING	2			36AA	1139-3005-01	FRONT FRAME 23CPM	1		
03AA	1139-3079-01	TENSION SPRING	1			36BA	1142-3005-01	FRONT FRAME 18CPM	1		
04AA	1151-0216-01	BRACKET	1			37AA	1200-3121-09	BUSHING	2		
05AA	1139-3099-01	TORSION SPRING	1			38AA	1139-3134-01	BRACKET	1		
06AA	1067-2513-01	PULLEY 23CPM	4			39AA	1139-3113-03	POLYESTER FILM 23CPM	6		
06BA	1067-2513-01	PULLEY 18CPM	2			40AA	1139-3125-02	POLYESTER FILM 23CPM	2		
07AA	1139-3065-01	TIMING BELT 23CPM	1			41AA	1151-6805-01	HARNES	1		
07BA	1142-3065-01	TIMING BELT 18CPM	1			42AA	1151-0168-02	SHAFT	1		
08AA	1067-2566-01	PULLEY 18T	1			*43AA	1151-3001-01	PAPER FEED ROLLER	1	0400	
09AA	1151-3137-02	PLY GEAR 24/16T	2			44AA	9321-2310-32	SOLENOID 23CPM (SL3)	1		
10AA	1139-3074-01	GEAR 18T	1								
11AA	1151-3007-01	PULLEY 54T 23CPM	2								
11BA	1151-3007-01	PULLEY 54T 18CPM	1								
12AA	1139-3010-02	CLUTCH SPRING 23CPM	2								
12BA	1139-3010-02	CLUTCH SPRING 18CPM	1								
13AA	1139-3009-02	RATCHET 23CPM	2								
13BA	1139-3009-02	RATCHET 18CPM	1								
14AA	1139-3057-01	BRACKET 23CPM	2								
14BA	1139-3057-01	BRACKET 18CPM	1								
15AA	1139-3008-01	ARBOR 23CPM	2								
15BA	1139-3008-01	ARBOR 18CPM	1								
16AA	9321-2310-32	SOLENOID TAKE-UP (SL2)	1								
17AA	1139-2346-01	PLATE	2								
18AA	1139-3068-01	BRACKET	2								
19AA	1200-3134-16	BUSHING	4								
20AA	1151-0220-02	REAR FRAME 23CPM	1								
20BA	1152-0220-01	REAR FRAME 18CPM	1								
21AA	1139-3108-03	GUIDE 23CPM	2								
22AA	1139-3131-01	TORSION SPRING	2								
23AA	9335-1310-31	PHOTO INTERRUPTER PC55-57,101	5								
24AA	1151-6806-01	HARNES	1								
25AA	1200-2105-05	COLLAR	2								
26AA	1139-3051-02	ACTUATOR	2								
27AA	1139-3081-01	RELEASE PLATE	1								
28AA	1139-3003-14	GUIDE PLATE	2								
29AA	1139-3053-03	BRACKET	2								
30AA	1139-3156-01	SEAL	2								
31AA	1200-5212-04	PIN	2								
32AA	1139-3127-01	ACTUATOR	2								
33AA	1151-0169-02	SHAFT	1								

23CPM ALL
18CPM TAIWAN ONLY
18CPM EXCEPT TAIWAN OPTION

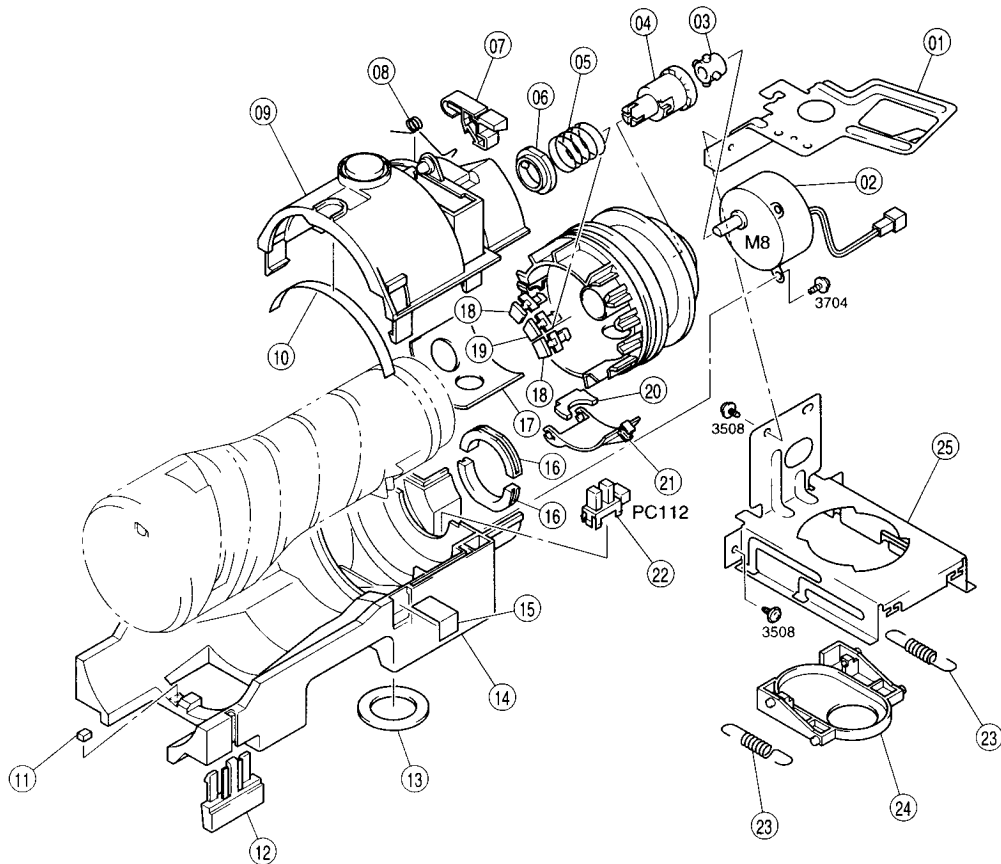


INDEX	PART NO.	PART NAME	QTY	AREA	REMARKS	INDEX	PART NO.	PART NAME	QTY	AREA	REMARKS
01AA	1139-3327-13	TABLE	1			43AA	1139-3329-01	HOLDER	1		
02AA	4425-1059-12	SEAL	1			44AA	1139-3358-01	GUIDE	1		
03AA	1052-5409-01	CORK	1								
04AA	0704-5401-01	SEAL	2								
05AA	1139-7360-01	LABEL MAX	1								
06AA	1139-3330-01	GUIDE	1								
07AA	1139-3380-03	COVER	1								
08AA	1139-3378-01	GUIDE LEVER	1								
09AA	1139-3376-03	LOCK LEVER	2								
10AA	1100-1340-05	SHOULDER SCREW	1								
11AA	1100-1330-05	SHOULDER SCREW	1								
12AA	1139-3377-01	BRACKET	1								
13AA	1174-3305-01	COVER	1								
14AA	1139-3333-03	HINGE	1								
15AA	1139-0237-03	REAR FRAME	1								
16AA	1139-3339-01	SHAFT	1								
17AA	1139-3353-01	BUSHING	1								
18AA	9322-1610-31	CLUTCH	1		TAKE-UP (CL51)						
19AA	1139-3361-01	BUSHING	1								
20AA	1139-3340-01	BRACKET	1								
21AA	1139-0244-01	BRACKET	1								
22AA	1151-3310-01	GEAR 22T	1								
23AA	1139-3362-01	COLLAR	1								
24AA	1151-3300-01	TAPPING SCREW	4								
25AA	1139-3315-02	TENSION SPRING	1								
26AA	1139-0246-01	BRACKET	1								
27AA	1139-3314-12	HOLDER	1								
28AA	1173-3304-01	GUIDE	1								
29AA	1033-4402-01	STOPPER RING	2								
30AA	1139-3374-01	POLYESTER FILM	1								
31AA	1139-0166-02	ROLLER	1								
32AA	1139-3342-12	GUIDE	1								
33AA	1139-3303-14	BRACKET	1								
34AA	1139-3301-03	FRONT FRAME	1								
35AA	1139-3365-01	SHOULDER SCREW	1								
36AA	1139-3341-01	STOPPER	1								
37AA	1139-3366-01	TENSION SPRING	1								
38AA	1139-3332-03	HINGE	1								
39AA	1139-3382-01	TENSION SPRING	1								
40AA	1139-3344-01	GUIDE	1								
41AA	1139-3381-02	COVER	1								
42AA	1139-3328-16	COVER	1								

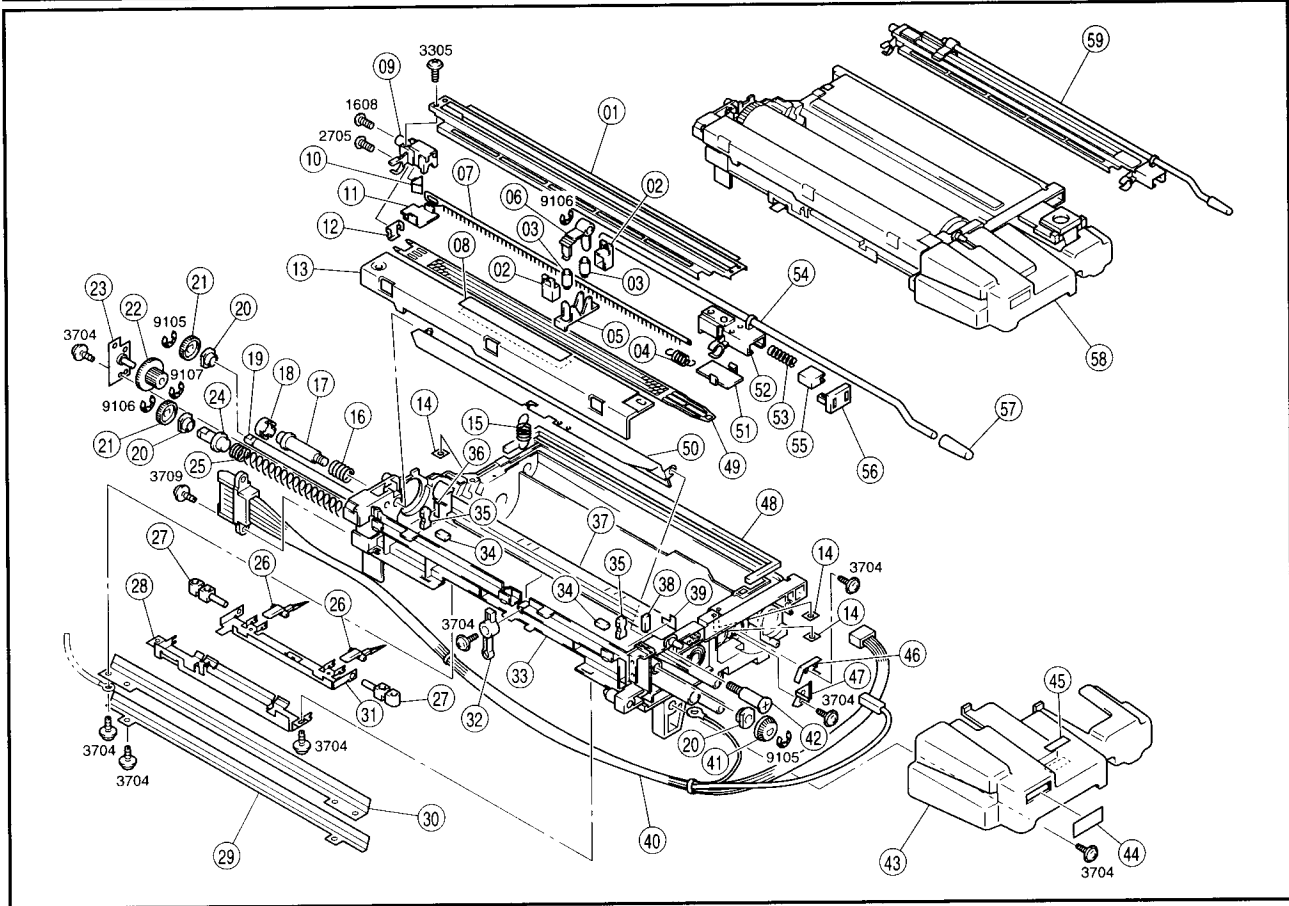
23CPM ALL
18CPM TAIWAN ONLY
18CPM EXCEPT TAIWAN OPTION



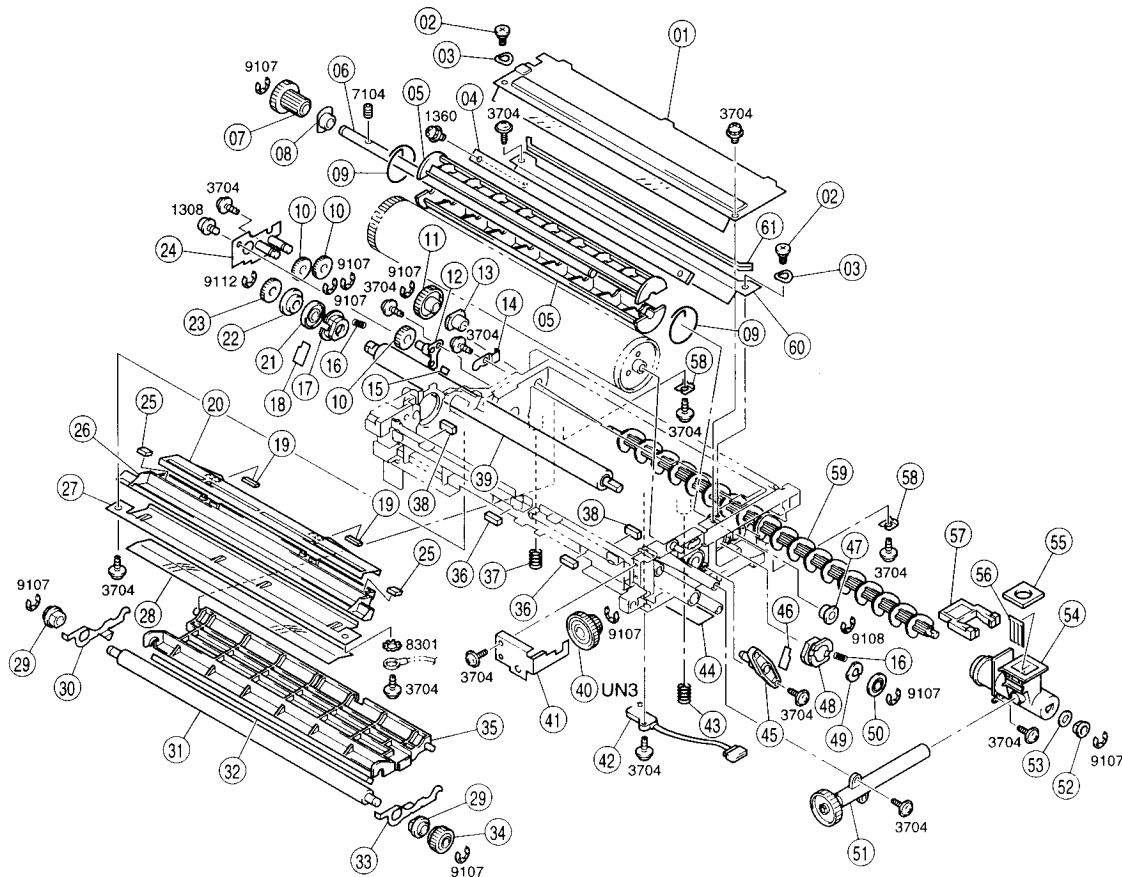
INDEX	PART NO.	PART NAME	QTY	AREA	REMARKS	INDEX	PART NO.	PART NAME	QTY	AREA	REMARKS
01AA	1139-3351-02	LEVER	1								
02AA	1100-1332-14	SHOULDER SCREW	2								
03AA	1151-0218-01	BRACKET	1								
04AA	1139-3370-01	GEAR 14T	1								
05AA	1139-3346-02	TORSION SPRING	1								
06AA	1139-3348-02	SEGMENT GEAR	1								
07AA	1139-3369-01	TORSION SPRING	2								
08AA	1139-3368-01	SHAFT	1								
09AA	9321-2310-41	SOLENOID PICK-UP (SL51)	1								
10AA	4425-6826-01	HARNES	1								
11AA	1200-3221-07	BUSHING	5								
12AA	1070-3072-01	PRESSURE SPRING	1								
13AA	1052-4412-01	JOINT	1								
14AA	1139-3367-01	GEAR 19T	1								
15AA	1139-3318-01	GEAR 22T	1								
16AA	1139-3307-01	SHAFT	1								
17AA	1139-3373-02	SHAFT	1								
18AA	1139-3354-01	GEAR 17T	1								
19AA	1156-3073-01	ARBOR	2								
20AA	1052-5224-01	ROLLER	1								
21AA	1139-3320-01	TORSION SPRING	1								
22AA	1065-3086-01	BUSHING	1								
23AA	1139-3309-01	HOLDER	1								
24AA	1139-3316-01	ROLLER	1								
25AA	1139-3317-01	SHAFT	1								
26AA	1139-3372-01	HOLDER	1								
27AA	1139-3321-01	STOPPER	2								
28AA	1139-3364-01	SHAFT	1								
29AA	1139-3326-13	ACTUATOR	1								
30AA	9335-1310-31	PHOTO INTERRUPTER EMPTY (PC31)	1								
31AA	1139-3371-14	HOLDER	1								
32AA	1136-2131-03	STOPPER	1								
33AA	1139-3322-01	PAWL	2								
34AA	1139-3349-01	RUBBER STRIP	1								



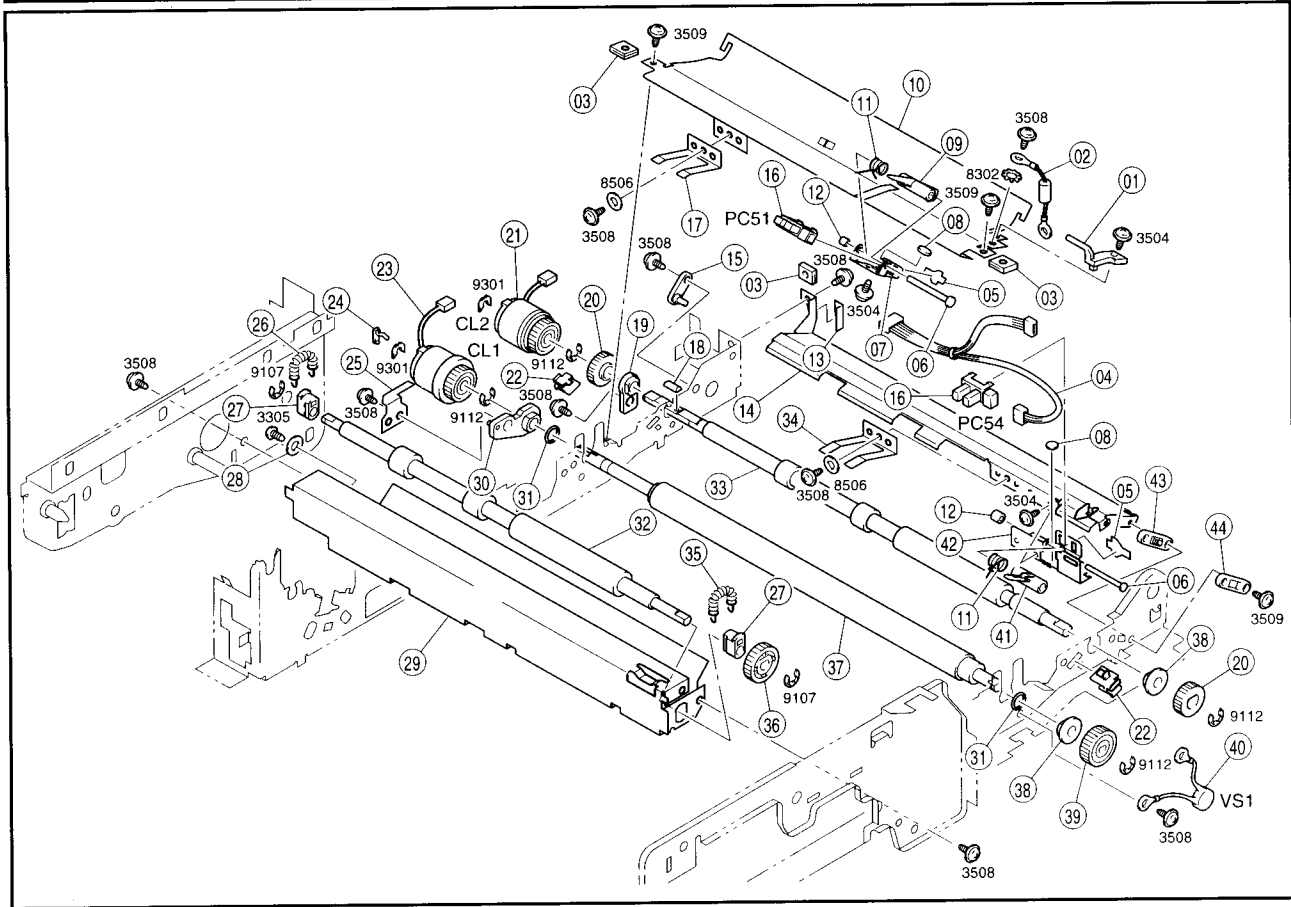
INDEX	PART NO.	PART NAME	QTY	AREA	REMARKS	INDEX	PART NO.	PART NAME	QTY	AREA	REMARKS
01AA	1139-5029-01	BRACKET	1								
02AA	9312-1810-11	MOTOR	1								
03AA	1151-5024-01	REPLEN (M8)	1								
04AA	1151-5031-02	PAWL	1								
04AA	1151-5031-02	SHAFT	1								
05AA	1151-5033-02	PRESSURE SPRING	1								
06AA	1151-5032-01	COLLAR	1								
07AA	1139-5021-01	LOCK LEVER	1								
08AA	1139-5022-01	TORSION SPRING	1								
09AA	1139-5002-02	COVER	1								
10AA	1139-5026-01	POLYESTER FILM	1								
11AA	1142-5029-01	CUSHION	1								
12AA	1139-5020-02	LEVER	1								
13AA	1139-5009-01	SPONGE	1								
14AA	1139-5003-02	HOPPER BODY	1								
15AA	1149-5034-01	SEAL	1								
16AA	1139-5023-01	SUPPORT	2								
17AA	1139-5010-01	SPONGE	1								
18AA	1139-5018-04	DETECTING PLATE	2								
*19AA	1139-5018-04	DETECTING PLATE MINOLTA	1	2715							
20AA	1139-5017-02	SPONGE	1								
21AA	1174-5012-02	HOLDER	1								
22AA	9335-1310-31	PHOTO INTERRUPTER (PC112)	1								
23AA	1139-5006-01	TENSION SPRING	2								
24AA	1139-5005-01	SHUTTER	1								
25AA	1139-5004-03	FRAME	1								



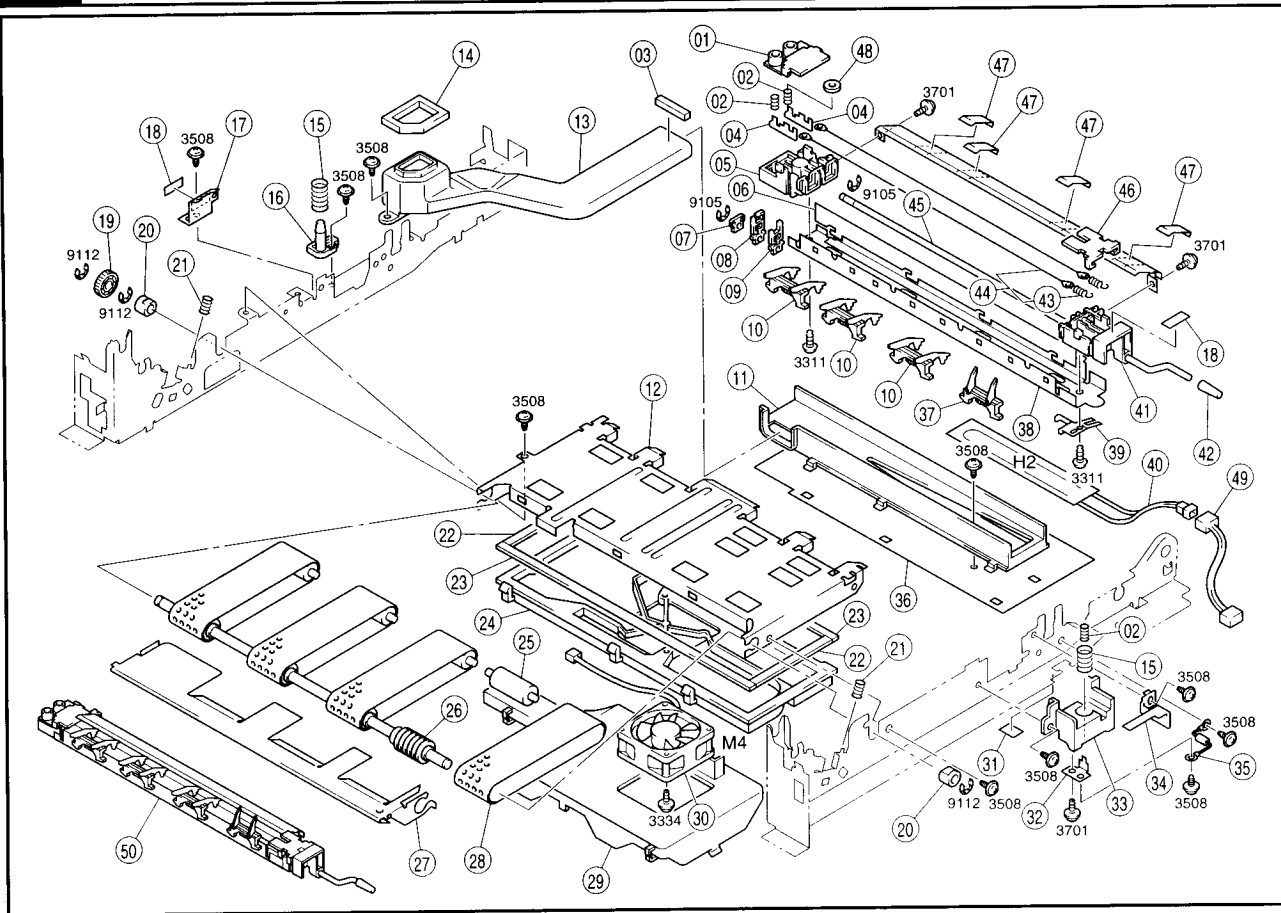
INDEX	PART NO.	PART NAME	QTY	AREA	REMARKS	INDEX	PART NO.	PART NAME	QTY	AREA	REMARKS
01AA	1139-4254-01	HOUSING	1			42AA	1139-5713-12	SHOULDER SCREW	1		
02AA	1139-4260-01	HOLDER	2			43AA	1139-5704-02	COVER	1		
03AA	1139-4257-01	ROLL	2			44AA	1139-5742-01	LABEL	1		
04AA	1139-4263-01	TENSION SPRING	1			45AA	1129-7303-01	LABEL HIGH VOLTAGE	1		
05AA	1139-4258-01	HOLDER	1			46AA	1139-5215-01	TERMINAL	1		
06AA	1139-4256-01	SUPPORT	1			47AA	1139-5228-01	SET PLATE	1		
07AA	1139-4253-02	CORONA PLATE	1			48AA	1139-5219-01	SPONGE	1		
08AA	1139-7361-01	LABEL DO NOT HOLD	1			49AA	1139-4261-01	GRID	1		
09AA	1139-4252-01	HOLDER	1			50AA	1139-5711-17	CLEANING BLADE	1		
10AA	1139-4255-01	TERMINAL	1			51AA	1139-4264-01	COVER	1		
11AA	1139-4265-01	COVER	1			52AA	1139-4251-02	HOLDER	1		
12AA	1139-4262-01	TERMINAL	1			53AA	1400-1134-07	PRESSURE SPRING	1		
13AA	1139-5701-02	COVER	1			54AA	1139-4259-01	SHAFT	1		
14AA	1100-3130-08	PLATE NUT	3			55AA	1035-4904-01	HOLDER	1		
15AA	1151-5750-01	TENSION SPRING	1			56AA	1139-4268-01	COVER	1		
16AA	1400-1154-06	PRESSURE SPRING	1			57AA	1139-4069-01	CAP	1		
17AA	1139-5710-13	SHOULDER SCREW	1			*58AA	1174-0335-02	DEVELOPING UNIT	1	2706	
18AA	1036-4524-02	SLIDER	1			*58BA	1174-0336-02	DEVELOPING UNIT	1	2520	
19AA	1139-5729-01	SHAFT	1			*58CA	1174-0338-02	DEVELOPING UNIT	1	2542	
20AA	1067-5508-01	BUSHING	3			*58DA	1174-0336-02	DEVELOPING UNIT	1	2812	
21AA	1067-5509-01	GEAR 22T	2			*58EA	1174-0338-02	DEVELOPING UNIT	1	2812	
22AA	1139-5719-01	GEAR 16/16T	1			59AA	1174-0368-01	DRUMCHARGE CORONA	1		
23AA	1139-0250-01	AXLE PLATE	1								
24AA	1067-5507-01	SHAFT	1								
25AA	1139-5715-01	TRANSPORT COIL	1								
26AA	1174-4230-01	SEPARATOR	2								
27AA	1139-4214-02	SHAFT	2								
28AA	1151-4218-01	BRACKET	1								
*29AA	1139-5728-02	REGULATING PLATE	1	2542							
*29BA	1139-5728-02	REGULATING PLATE	1	2812							
30AA	1139-5726-01	REGULATING PLATE	1								
31AA	1139-4213-01	BRACKET	1								
32AA	1139-4219-01	LEVER	1								
33AA	1139-5702-08	DEVELOPING HOUSING	1								
34AA	1139-5720-01	SPONGE	2								
35AA	1139-5721-02	SPONGE	2								
36AA	1139-5723-01	PAD	1								
37AA	1174-5762-01	POLYESTER FILM	1								
38AA	1139-5725-01	SPONGE	1								
39AA	1139-5739-01	SEAL	1								
40AA	1151-6809-01	HARNES	1								
41AA	1139-5730-01	GEAR 18T	1								



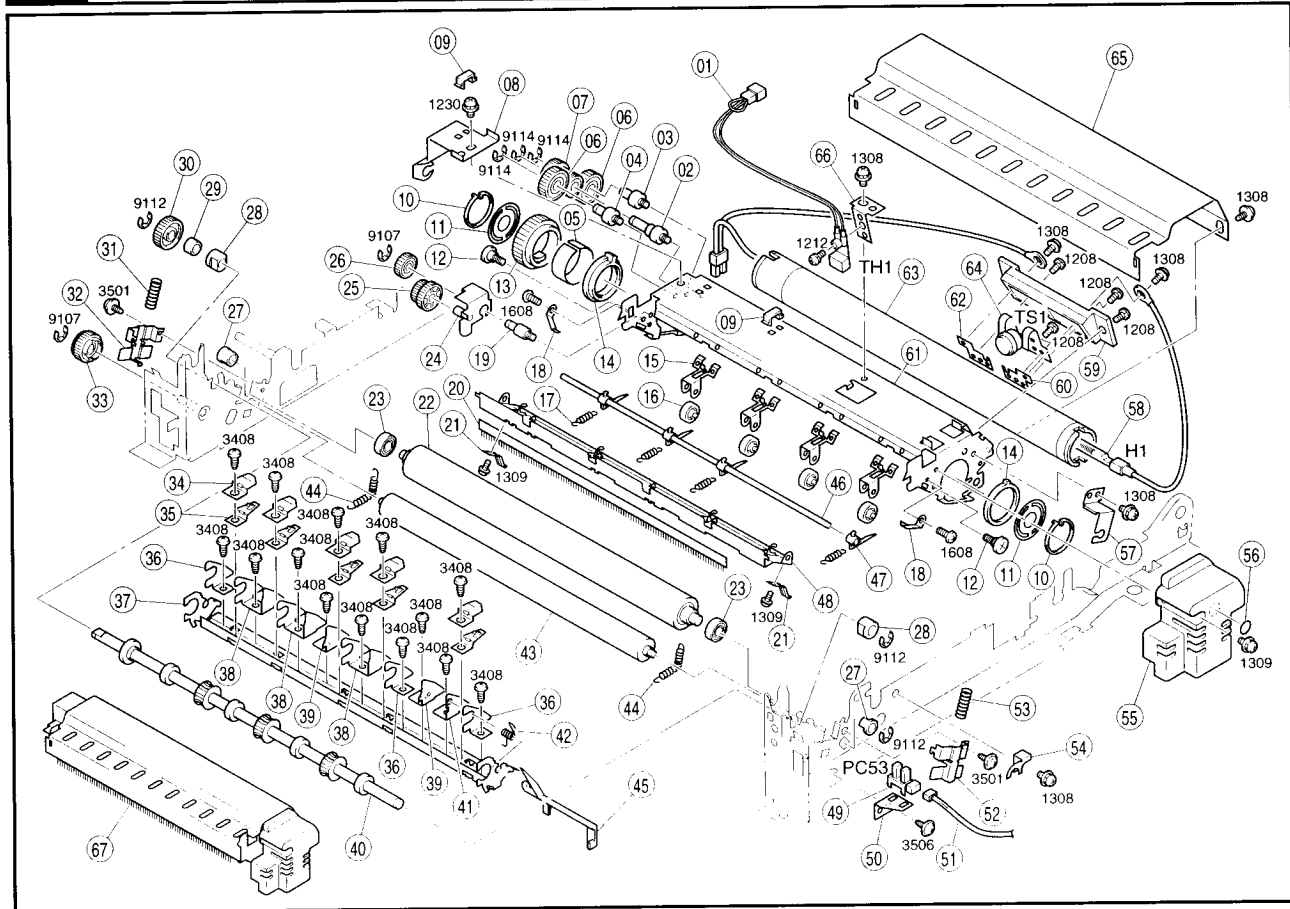
INDEX	PART NO.	PART NAME	QTY	AREA	REMARKS	INDEX	PART NO.	PART NAME	QTY	AREA	REMARKS
01AA	1174-5222-01	LID	1			40AA	1139-5734-01	GEAR 18/30T	1		
02AA	1139-5249-01	SHOULDER SCREW	2			41AA	1139-0251-12	BRACKET	1		
03AA	1139-5250-01	PLATE SPRING	2			42AA	1136-6052-12	ATDC UNIT ATDC (UN3)	1		
04AA	1052-1603-01	REGULATING PLATE	1			43AA	1151-3262-01	PRESSURE SPRING	1		
05AA	1151-5214-01	BUCKET ROLLER	2			*44AA	1139-5248-01	POLYESTER FILM MINOLTA	1	2543	
06AA	1151-5207-01	SHAFT	1			*44BA	1139-5248-01	POLYESTER FILM EUROPE	1	2812	
07AA	1139-5220-01	GEAR 23/24T	1			45AA	1139-5703-01	SUPPORT	1		
08AA	1032-1606-02	BUSHING	1			46AA	1139-5253-01	POLYESTER FILM	1		
09AA	1151-5271-01	RING	2			47AA	1144-0168-01	BUSHING	1		
10AA	1139-5221-01	GEAR 22T	3			48AA	1139-0752-01	BUSHING	1		
11AA	1139-5223-01	GEAR 30T	1			49AA	1139-5240-01	BUSHING	1		
12AA	1174-0254-01	BRACKET	1			50AA	1174-5204-02	ROLL	1		
13AA	1139-5216-01	BUSHING	1			51AA	1151-0151-01	DUCT	1		
14AA	1139-5231-01	SET PLATE	1			52AA	1200-3211-08	BUSHING	1		
15AA	1139-5256-01	POLYESTER FILM	1			53AA	1174-5276-01	SEAL	1		
16AA	1400-1226-03	PRESSURE SPRING	2			54AA	1139-5233-02	CONVEYOR DUCT	1		
17AA	1139-0753-01	BUSHING	1			55AA	1139-5235-01	SPONGE	1		
18AA	1139-5252-02	POLYESTER FILM	1			56AA	1174-5275-02	POLYESTER FILM	1		
*19AA	1139-5255-01	SPONGE MINOLTA	2	2542		57AA	1139-5251-01	GUIDE	1		
*19BA	1139-5255-01	SPONGE EXCEPT EUROPE	2	2812		58AA	1139-3260-01	PLATE	2		
*20AA	1139-5229-01	GROUND PLATE MINOLTA	1	2542		59AA	1174-0656-01	CONVEYOR ROLLER	1		
*20BA	1139-5229-01	GROUND PLATE EXCEPT EUROPE	1	2812		60AA	1139-5209-01	BRACKET	1		
21AA	1139-5246-01	BALL BEARING	1			61AA	1139-5225-02	SPONGE	1		
22AA	1174-5206-02	ROLL	1								
23AA	1174-5224-01	GEAR 20T	1								
24AA	1174-0203-01	PLATE	1								
*25AA	1139-5254-01	SPONGE MINOLTA	2	2542							
*25BA	1139-5254-01	SPONGE EXCEPT EUROPE	2	2812							
26AA	1139-5226-01	ANTISPILL PLATE	1								
27AA	1139-3257-01	GUIDE PLATE	1								
28AA	1139-3255-02	POLYESTER FILM	1								
29AA	1139-3261-01	BUSHING	2								
30AA	1139-3259-01	HOLDER-RR	1								
31AA	1151-3250-01	ROLLER	1								
32AA	1139-3253-01	CLEANING PAD	1								
33AA	1139-3258-01	HOLDER-FNT	1								
34AA	1151-3169-01	GEAR 12T	1								
35AA	1139-3252-03	GUIDE PLATE	1								
36AA	1139-5725-01	SPONGE	2								
37AA	1139-3256-02	PRESSURE SPRING	1								
38AA	1139-5724-02	MAT	2								
39AA	1151-5218-01	MAGNET ROLLER	1								



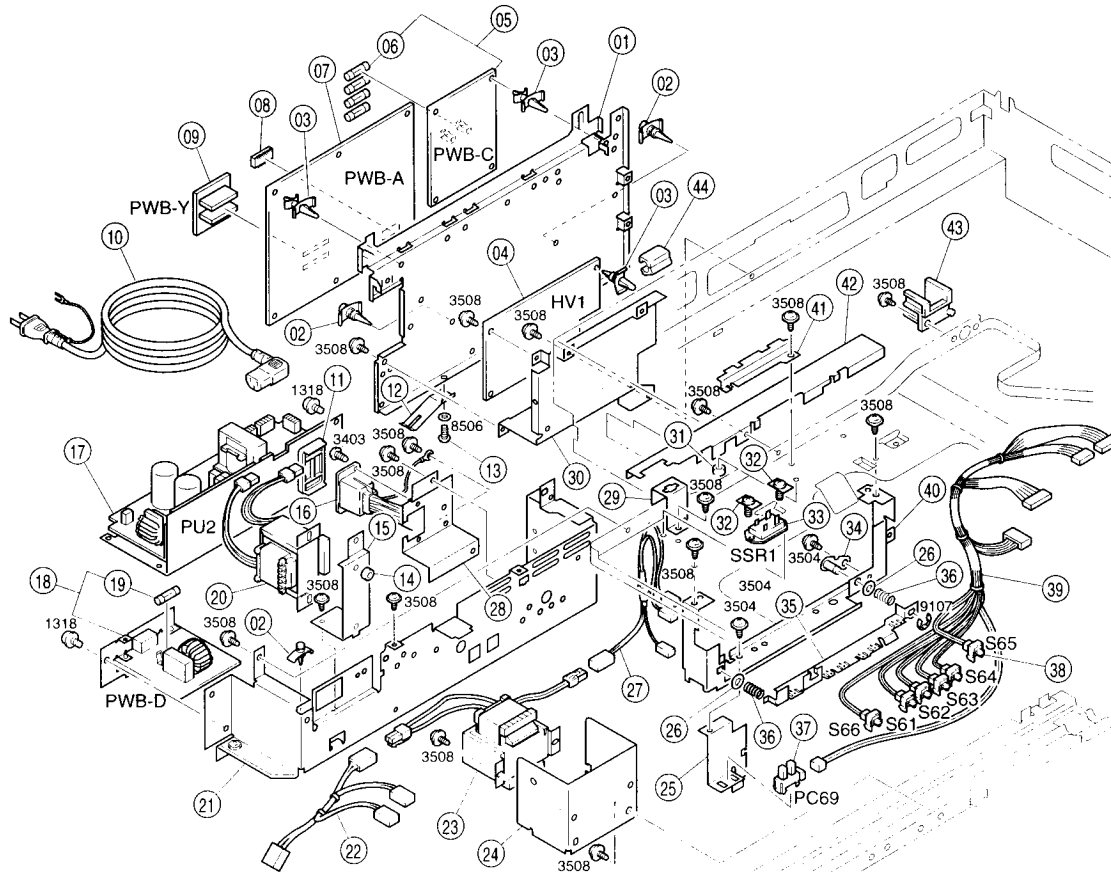
INDEX	PART NO.	PART NAME	QTY	AREA	REMARKS	INDEX	PART NO.	PART NAME	QTY	AREA	REMARKS
01AA	1139-3143-01	LEVER	1			43AA	1136-3537-01	SPACER	1		
02AA	1139-0405-01	RESISTOR	1			44AA	1136-3538-01	SPACER	1		
03AA	1076-3109-01	GUIDE	3								
04AA	1139-6814-02	HARNES	1								
05AA	1136-2131-03	STOPPER	2								
06AA	1200-5212-04	PIN	2								
07AA	1139-3129-01	BRACKET	1								
08AA	1139-3147-01	SPONGE	2								
09AA	1139-3127-01	ACTUATOR	1								
10AA	1139-3124-01	GUIDE PLATE	1								
11AA	1139-3167-01	TORSION SPRING	2								
12AA	1200-2105-05	COLLAR	2								
13AA	1151-3179-01	SEAL	1								
14AA	1151-3121-01	GUIDE PLATE	1								
15AA	1151-3177-01	SPACER	1								
16AA	9335-1310-31	PHOTO INTERRUPTER	2		(PC51,54)						
17AA	1139-4074-01	PLATE SPRING	1								
18AA	1149-3116-01	SPACER	1								
19AA	1151-3192-01	BUSHING	1								
20AA	1151-3114-01	GEAR 16T	2								
21AA	9322-1610-21	CLUTCH	1		TRANS (CL2)						
22AA	1139-3123-01	SPACER	2								
23AA	9322-1610-11	CLUTCH	1		SYNCHRO. (CL1)						
24AA	1149-3117-01	SPACER	1								
25AA	1151-3251-01	GROUND PLATE	1								
26AA	1139-3118-01	TENSION SPRING	1								
27AA	1139-3102-01	BUSHING	2								
28AA	1200-1422-02	WASHER	1								
29AA	1173-3119-01	GUIDE	1								
30AA	1151-3191-01	BUSHING	1								
*31AA	1145-3208-01	RETAINING RING	2	2706							
32AA	1139-3115-01	ROLLER	1								
33AA	1151-3112-02	ROLLER	1								
34AA	1151-3176-01	PLATE SPRING	1								
35AA	1273-3505-01	TENSION SPRING	1								
36AA	1139-3117-01	GEAR 18T	1								
37AA	1151-3122-13	ROLLER	1								
38AA	1200-3231-05	BUSHING	2								
39AA	1151-3168-01	GEAR 20T	1								
40AA	1139-0420-01	VARISTOR	1		GUIDE (VS1)						
41AA	1139-3126-01	ACTUATOR	1								
42AA	1139-3132-01	BRACKET	1								



INDEX	PART NO.	PART NAME	QTY	AREA	REMARKS	INDEX	PART NO.	PART NAME	QTY	AREA	REMARKS
01AA	1151-4054-01	COVER	1			43AA	1400-2110-01	TENSION SPRING	2		
02AA	1400-1122-04	PRESSURE SPRING	3			44AA	1139-0756-01	CORONA WIRE	2		
03AA	1139-4513-01	SPONGE	1			45AA	1139-4066-01	SHAFT	1		
04AA	1139-4057-01	TERMINAL	2			46AA	1139-4053-02	COVER	1		
05AA	1151-4052-03	HOLDER	1			47AA	1139-4077-01	SEAL	4		
06AA	1139-0755-01	GUIDE	1			*48AA	9326-1310-61	FERRITE CORE	1		0412
07AA	1139-4065-01	SUPPORT	1			*48BA	9326-1310-61	FERRITE CORE	1		2812
08AA	1151-4058-02	CLEANING PAD	1			49AA	1174-6850-01	HARNESSE	1		OPTION
09AA	1151-4059-02	CLEANING PAD	1			*50AA	1174-0359-01	TRANS/SEP CORONA	1		2314
10AA	1139-4067-01	GUIDE	3			*50BA	1174-0367-01	TRANS/SEP CORONA	1		0412
11AA	1139-4503-01	DUCT	1			*50CA	1174-0367-01	TRANS/SEP CORONA	1		2812
12AA	1151-3501-01	FRAME	1			*50DA	1174-0359-01	TRANS/SEP CORONA	1		2812
13AA	1139-4502-01	DUCT	1								
14AA	1139-4507-01	SPONGE	1								
15AA	1400-1167-05	PRESSURE SPRING	2								
16AA	1139-4072-01	AXLE PLATE	1								
17AA	1151-4273-01	STOPPER	1								
18AA	1129-7303-01	LABEL HIGH VOLTAGE	2								
19AA	1139-2509-01	GEAR 21T	1								
20AA	1079-5530-01	BUSHING	2								
21AA	1139-5548-01	PRESSURE SPRING	2								
22AA	1151-3512-01	SPONGE	2								
23AA	1151-3511-01	SPONGE	2								
24AA	1151-3502-01	DUCT	1								
25AA	1151-3506-01	ROLL	4								
26AA	1151-3503-01	ROLLER	1								
27AA	1151-5502-01	GUIDE PLATE	1								
28AA	1151-3505-01	VACUUM BELT	1 set								
29AA	1151-3510-02	DUCT	1								
30AA	9313-1610-11	FAN MOTOR	1		SUCTION (M4)						
31AA	1174-2386-01	POLYESTER FILM	1								
32AA	1139-4073-01	TERMINAL	1								
33AA	1139-4071-02	HOLDER	1								
34AA	1139-4075-01	HOLD PLATE	1								
35AA	1151-0132-02	RESISTER	1								
36AA	1139-4510-01	BRACKET	1								
37AA	1139-4068-01	GUIDE	1								
38AA	1139-4056-01	HOUSING	1								
39AA	1139-4064-01	PLATE SPRING	1								
*40AA	9352-6610-11	HEATER	1		OPTION (H2)	2517					
41AA	1151-4051-03	HOLDER	1								
42AA	1139-4069-01	CAP	1								

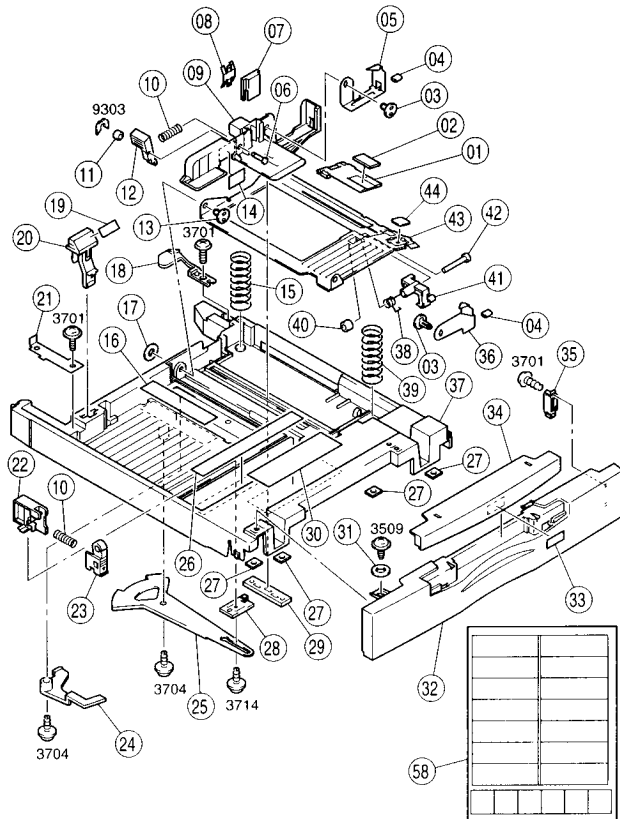


INDEX	PART NO.	PART NAME	QTY	AREA	REMARKS	INDEX	PART NO.	PART NAME	QTY	AREA	REMARKS
01AA	9372-2610-11	THERMISTOR FUSING (TH1)	1			43AA	1174-5609-01	ROLLER	1		
02AA	1151-5604-02	SHOULDER SCREW	1			44AA	1139-5560-01	TENSION SPRING	2		
03AA	1151-5603-01	SHOULDER SCREW	1			45AA	1139-5542-01	LEVER	1		
04AA	1151-5605-01	SHOULDER SCREW	1			46AA	1139-5549-01	SHAFT	1		
05AA	1174-5602-01	COLLAR	1			47AA	1054-4753-01	SEPARATOR	4		
06AA	1151-5612-01	GEAR 24T	2			48AA	1151-5503-02	GUIDE PLATE	1		
07AA	1151-5606-02	GEAR 15/19T	1			49AA	9335-1310-31	PHOTO INTERRUPTER EXIT (PC53)	1		
08AA	1151-5506-01	SUPPORT PLATE	1			50AA	1151-5510-01	BRACKET	1		
09AA	1139-5558-01	CORD CLAMP	9			51AA	1139-6816-02	HARNES	1		
10AA	0993-5529-01	C-RING	2			52AA	1151-5513-01	HOLDER	1		
11AA	1151-5611-01	LID	2			53AA	1151-5539-01	PRESSURE SPRING	1		
12AA	1100-1340-05	SHOULDER SCREW	2			54AA	1139-5509-02	SUPPORT	1		
13AA	1151-5532-02	GEAR 38T	1			55AA	1146-5535-01	COVER	1		
14AA	1151-5610-02	BUSHING	2			56AA	1080-7014-01	LABEL M1	1		
15AA	1136-5806-01	HOLDER	4			57AA	1151-5507-01	SUPPORT PLATE	1		
16AA	1136-5805-02	ROLL	4			*58AA	9352-2610-21	TUBE LAMP FUSING (H1)	1		2505
17AA	1065-5857-01	TENSION SPRING	4			*58BA	9352-2610-31	TUBE LAMP FUSING (H1)	1		2612
18AA	1139-5538-01	PLATE SPRING	2			59AA	1136-5753-01	HOLDER	1		
19AA	1139-5554-01	PIN	1			60AA	1012-5586-01	TERMINAL	1		
20AA	1174-5574-01	NEUTRALIZING BRUSH	1			61AA	1151-5501-02	FRAME	1		
21AA	1139-5546-01	PLATE SPRING	2			62AA	1012-5587-01	TERMINAL	1		
22AA	1174-5522-01	FUSING ROLLER-LWR	1			63AA	1174-5521-01	FUSING ROLLER-UPR	1		
23AA	1065-5871-01	BALL BEARING	2			64AA	9334-1610-11	THERMOSTAT FUSING (TS1)	1		
24AA	1139-0249-01	BRACKET	1			65AA	1174-5505-01	COVER	1		
25AA	1139-5552-02	GEAR 15/20T	1			66AA	1151-5608-01	BARCKET	1		
26AA	1151-5534-01	GEAR 18T	1			*67AA	1174-0345-02	FUSING UNIT	1		2505
27AA	1139-5561-01	BUSHING	2			*67BA	1174-0346-02	FUSING UNIT	1		2612
28AA	1200-3134-16	BUSHING	2								
29AA	1139-5544-01	COLLAR	1								
30AA	1300-3132-12	GEAR 24T	1								
31AA	1151-5553-01	PRESSURE SPRING	1								
32AA	1151-5601-01	HOLDER	1								
33AA	1139-2022-01	GEAR 22T	1								
34AA	1054-3773-01	REINFORCE PLATE	5								
35AA	1054-3765-13	PLATE SPRING	5								
36AA	1149-5621-01	GUIDE	3								
37AA	1149-5504-01	GUIDE PLATE	1								
38AA	1149-5622-01	GUIDE	3								
39AA	1149-5623-01	GUIDE	2								
40AA	1151-5523-01	ROLLER	1								
41AA	1139-5514-02	BRACKET	1								
42AA	1139-5543-01	TORSION SPRING	1								



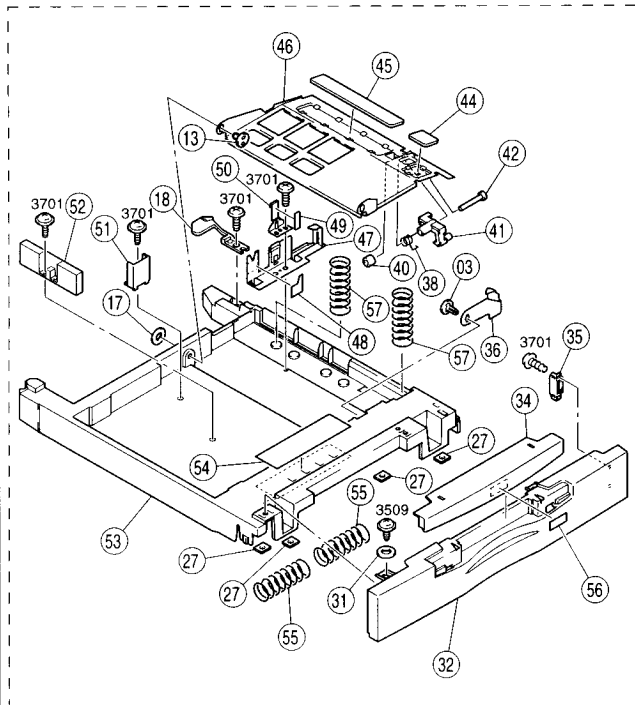
INDEX	PART NO.	PART NAME	QTY	AREA	REMARKS	INDEX	PART NO.	PART NAME	QTY	AREA	REMARKS
01AA	1151-2306-02	BRACKET	1			25AA	1151-3063-01	BRACEKT 23CPM	1		
02AA	9384-1900-61	PWB SUPPORT 6.35H	4			26AA	1200-1346-12	WASHER	2		
03AA	9384-1900-56	PWB SUPPORT 6.35H	13			*27AA	1174-6847-01	HARNNESS OPTION	1	2517	
*04AA	9325-1610-12	PWB-HV MINOLTA (HV1)	1	2542		28AA	1151-2326-01	BRACKET 23CPM	1		
*04BA	9325-1610-22	PWB-HV MINOLTA (HV1)	1	2543		29AA	1151-2368-01	STOP PLATE	1		
*04CA	9325-1610-22	PWB-HV EUROPE (HV1)	1	2612		30AA	1151-2317-01	BRACKET	1		
*04DA	9325-1610-12	PWB-HV EXC. EU (HV1)	1	2612		31AA	1174-2388-01	SPACER	1		
05AA	1174-0103-01	PW BOARD-C POWER (PWB-C)	1			32AA	1139-2338-01	TAPPING SCREW	2		
06AA	9346-3720-21	FUSE 3A	4			33AA	9343-4210-21	TRIAC MODULE FUSING (SSR1)	1		
07AA	1174-0101-04	PW BOARD-A 23CPM (PWB-A)	1			34AA	1065-3090-01	BRACKET	1		
07BA	1175-0101-04	PW BOARD-A 18CPM (PWB-A)	1			35AA	1139-3049-01	BRACKET	1		
08AA	1174-6601-02	IC 23CPM	1			36AA	1273-3048-01	PRESSURE SPRING	2		
08BA	1175-6601-02	IC 18CPM	1			37AA	9335-1310-31	PHOTO INTERRUPTER 23CPM (PC69)	1		
09AA	1138-0115-03	PW BOARD-Y RAM (PWB-Y)	1			38AA	9332-1310-11	DETECTING SWITCH (S81-66)	6		
*10AA	9381-4610-31	POWER CORD MINOLTA	1	2505		39AA	1174-6807-01	HARNNESS	1		
*10BA	9381-4310-81	POWER CORD MINOLTA	1	2638		40AA	1139-3050-01	BRACKET	1		
*10CA	9381-4310-51	POWER CORD MINOLTA	1	2793		41AA	1174-2354-01	GUIDE	1		
*10DA	9381-4310-81	POWER CORD 220-240V	1	2612		42AA	1151-2371-02	COVER	1		
*10EA	9381-4610-31	POWER CORD 120V	1	2612		43AA	1151-2360-01	EDGE COVER	1		
11AA	9384-2310-41	COVER 23CPM	1			*44AA	9326-1410-31	FERRITE CORE MINOLTA	1	0412	
12AA	1149-2356-01	PLATE SPRING	1			*44BA	9326-1410-31	FERRITE CORE EUROPE	1	2612	
13AA	1151-3300-01	TAPPING SCREW	1								
14AA	1174-2388-01	SPACER OPTION 18CPM	1								
15AA	1175-2384-01	BRACKET OPTION 18CPM	1								
*16AA	1174-6803-02	HARNNESS 23CPM	1	0703							
*16BA	1175-6803-01	HARNNESS 18CPM	1	0703							
*16CA	1174-6835-02	HARNNESS 23CPM	1	2706							
*16DA	1175-6835-02	HARNNESS 18CPM	1	2706							
*17AA	9325-2610-51	PWB-PU DC POWER (PU2)	1	0511							
*17BA	9325-2610-21	PWB-PU DC POWER (PU2)	1	2612							
*18AA	1174-0104-01	PW BOARD-D FILTER (PWB-D)	1	0527							
*18BA	1174-0105-01	PW BOARD-D FILTER (PWB-D)	1	2612							
*18CA	1174-0114-01	PW BOARD-D FILTER (PWB-D)	1	2500							
*19AA	9346-3720-51	FUSE 15A	1	0511							
*19BA	9346-3610-31	FUSE 8A	1	2612							
*20AA	9324-1810-51	TRANSFORMER OPTION 18CPM	1	2504							
*20BA	9324-1810-61	TRANSFORMER OPTION 18CPM	1	2612							
21AA	1151-2310-02	MOUNTING PLATE	1								
*22AA	1174-6845-01	HARNNESS OPTION	1	2517							
*23AA	9324-1810-21	TRANSFORMER OPTION 23CPM	1	2504							
*23BA	9324-1810-31	TRANSFORMER OPTION 23CPM	1	2612							
24AA	1174-2384-01	BRACKET OPTION 23CPM	1								

UPPER PAPER TRAY UNIT


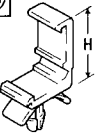


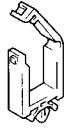
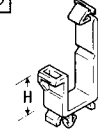
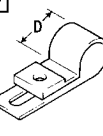
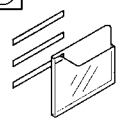

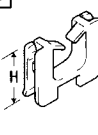
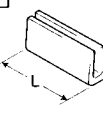
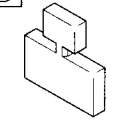

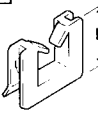
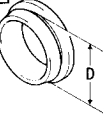
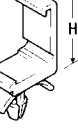
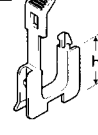



LOWER PAPER TRAY UNIT























23CPM ONLY



INDEX	PART NO.	PART NAME	QTY	AREA	REMARKS	INDEX	PART NO.	PART NAME	QTY	AREA	REMARKS
01AA	1139-3027-02	SLIDE PLATE	1			41AA	1139-3034-02	LOCK LEVER	2		
02AA	1139-3033-01	FRICTION PLATE	1			42AA	1200-5232-10	SHAFT	2		
03AA	1139-3035-01	PIN	3			43AA	1139-3026-02	LIFTING PLATE	1		
04AA	1200-2125-01	RETAINING RING	2			44AA	1139-3032-01	FRICTION PLATE	2		
05AA	1139-3038-01	PAWL	1			45AA	1139-3084-01	FRICTION PLATE 23CPM	1		
06AA	1139-3045-02	SHAFT	1			46AA	1139-3083-01	LIFTING PLATE 23CPM	1		
07AA	1139-3019-01	GUIDE	1			47AA	1139-0229-02	PAWL 23CPM	1		
08AA	1139-3020-02	PLATE SPRING	1			48AA	1139-7309-03	LABEL MAX 23CPM	1		
09AA	1139-3012-02	GUIDE PLATE	1			49AA	1139-3096-01	FRICTION PLATE 23CPM	1		
10AA	1139-3014-02	PRESSURE SPRING	2			50AA	1139-3095-01	PLATE SPRING 23CPM	1		
11AA	1200-2226-22	COLLAR	1			51AA	1139-3094-01	STOP 23CPM	1		
12AA	1139-3013-02	LEVER	1			52AA	1139-3087-01	GUIDE 23CPM	1		
13AA	1139-3039-02	PIN	2			53AA	1139-3024-04	CASSETTE BODY 23CPM	1		
14AA	1151-7308-01	LABEL MAX	1			54AA	1151-7324-12	LABEL PAPER LOADING 23CPM	1		
15AA	1139-3031-02	PRESSURE SPRING	1			55AA	1139-3154-02	PRESSURE SPRING 23CPM	2		
16AA	1151-7382-13	LABEL WIDTH SCALE	1			*56AA	1174-7392-01	LABEL A4 METRIC 23CPM	1	2812	
17AA	1200-1342-02	WASHER	2			*56BA	1174-7335-01	LABEL LETTER INCH 23CPM	1	2812	
18AA	1139-3077-03	STOPPER	2			57AA	1139-3086-02	PRESSURE SPRING 23CPM	2		
19AA	1151-7383-01	LABEL	1			*58AA	1174-7371-01	LABEL PAPER SIZE MINOLTA 23CPM	1	0400	
20AA	1151-3170-02	LEVER	1			*58BA	1174-7372-01	LABEL PAPER SIZE MINOLTA 23CPM	1	2300	
21AA	1139-3082-01	SUPPORT PLATE	1			*58CA	1174-7348-01	LABEL PAPER SIZE METRIC 23CPM	1	2812	
22AA	1139-3016-01	STOPPER	1			*58DA	1174-7349-01	LABEL PAPER SIZE INCH 23CPM	1	2812	
23AA	1139-3017-01	LOCK LEVER	1								
24AA	1142-3042-01	LEVER	1								
25AA	1139-3040-12	LEVER	1								
26AA	1151-7381-13	LABEL LENGTH SCALE	1								
27AA	1139-3153-01	PLATE NUT	8								
28AA	1139-3018-01	SPACER	1								
29AA	1139-3071-01	SLIDER	1								
30AA	1151-7322-12	LABEL PAPER LOADING	1								
31AA	1174-3196-01	WASHER	8								
32AA	1174-3022-02	CASSETTE COVER	2								
*33AA	1175-7307-01	LABEL PAPER SIZE 18CPM	1	0800							
*33BA	1174-7334-01	LABEL UNIVERSAL	1	2812							
*34AA	1174-3151-02	COVER	2	0800							
*34BA	1174-3161-02	COVER	2	2812							
35AA	1273-3535-01	MAGNET CATCH	2								
36AA	1139-3037-01	PAWL	2								
37AA	1139-3181-01	CASSETTE BODY	1								
38AA	1139-3089-01	TORSION SPRING	2								
39AA	1139-3030-01	PRESSURE SPRING	1								
40AA	1200-2105-02	COLLAR	2								

01 	06 	11 	16 				
02 	07 	12 	17 				
03 	08 	13 	18 				
04 	09 	14 					
05 	10 	15 					

INDEX	PART NO.	PART NAME	QTY	AREA	REMARKS	INDEX	PART NO.	PART NAME	QTY	AREA	REMARKS
01AA	9384-1311-01	WIRING SADDLE 27H	45								
02AA	9384-1110-61	WIRING SADDLE 21.5H	9								
02BA	9384-1211-01	WIRING SADDLE 19.2H	5								
03AA	9384-1310-81	WIRING SADDLE 6.4H	30								
04AA	9384-1820-31	WIRING SADDLE 8.0H	4								
05AA	9384-1900-53	WIRING SADDLE 18.7H	1								
06AA	9384-1311-21	WIRING SADDLE 16.8H	1								
07AA	9384-1921-21	WIRING SADDLE 36.1H	2								
07BA	9384-1921-31	WIRING SADDLE 17.3H	4								
08AA	9384-2610-11	EDGE COVER 8.5H	2								
09AA	9384-2010-21	EDGE COVER 8.5H	21								
09BA	9384-2800-36	EDGE COVER 15H	4								
10AA	9384-2010-31	EDGE COVER 15.4H	4								
11AA	1021-4707-01	CORD CLAMP	1								
12AA	9384-1310-91	WIRING SADDLE 18.5H	13								
13AA	1156-2019-01	EDGE COVER 16L	1								
13BA	1174-2387-01	EDGE COVER	1								
14AA	0722-4913-01	COLLAR 20D	3								
15AA	1031-4403-01	GROMMET	1								
16AA	9384-1311-11	CABLE TIE 104L	1								
17AA	1151-0499-01	HOLDER(B5)	1								
18AA	1174-7901-01	JIG INTERLOCK	1								

INDEX	PART NO.	PART NAME	ILLUST	INDEX	PART NO.	PART NAME	ILLUST	INDEX	PART NO.	PART NAME	ILLUST		
0210	9754-3012-08	SPRING ROLL PIN		3104	9656-0308-13	TAPPING SCREW		4009	9743-0308-01	TAPPING SCREW			
				3122	9656-0314-13			4020	9743-0408-14			4021	9743-0308-14
0509	9752-2012-50	PIN		3211	9657-0314-07	TAPPING SCREW		7014	9684-0308-08			SET SCREW	
				3305	9732-0308-13	TAPPING SCREW		7107	9684-0406-08	7124	9684-0310-08		
1201	9644-0204-13	SCREW		3311	9732-0408-13			TAPPING SCREW		8301	9712-0300-13		
1208	9644-0306-13			3334	9732-0434-13	8302	9712-0400-13						
1212	9644-0310-13			TAPPING SCREW		3402	9733-0306-13	TAPPING SCREW		8501	9716-0300-01	WASHER	
1230	9644-0408-13					3403	9733-0308-13				8506		
1302	9646-0305-13	SCREW		3408	9733-0406-13	TAPPING SCREW				9102	9721-0200-01	RETAINING RING	
1305	9646-0306-13			3501	9735-0306-13						9105		
1308	9646-0308-13			3504	9735-0308-13			9106	9721-0300-16				
1309	9646-0310-13			3506	9735-0406-13			9107	9721-0400-01				
1312	9646-0316-13			3508	9735-0408-13			9112	9721-0600-01				
1318	9646-0408-13			3509	9735-0410-13			9114	9721-0700-01				
1321	9646-0412-13			3510	9735-0412-13			9301	1066-1151-01	RETAINING RING			
1360	9646-0306-21			3517	9735-0305-13				9302			4425-3001-01	
1415	9684-0408-13			SCREW				3519	9735-0312-13			TAPPING SCREW	
	1454							9684-0414-01	3522	9735-0408-01	9303		
1608	9654-0308-01	SCREW		3525	9735-0420-13	TAPPING SCREW		9303	4425-3002-01				
				3701	9739-0408-13								
				3702	9739-0410-13								
				3703	9739-0412-13								
				3704	9739-0308-13								
				3705	9739-0306-13								
				3709	9739-0310-13								
				3714	9739-0312-13								
3721	9739-0416-07												
2705	9654-0325-01	SCREW		3920	9742-0408-14	TAPPING SCREW							
				3922	9742-0410-14								

PART NO.	FIG.	INDEX	QTY	PART NO.	FIG.	INDEX	QTY	PART NO.	FIG.	INDEX	QTY	PART NO.	FIG.	INDEX	QTY
1174-1014-01	05	33AA	1	1174-7371-01	21	58AA	1	1500-2640-04	04	41AA	1	9381-4310-10	20	10CA	1
1174-1015-01	02	12AA	2	1174-7372-01	15	58BA	1	1545-2640-04	10	07AA	1	9381-4310-81	20	10BA	1
1174-1017-01	02	24AA	2	1174-7373-01	01	01AA	1	0225-1058-12	12	02AA	1	9381-4310-81	20	10DA	1
1174-1018-01	02	47AA	1	1174-7375-01	02	21AA	1	4425-6826-01	13	10AA	1	9381-4610-31	20	10AA	1
1174-1019-01	05	38AA	1	1174-7376-01	02	21BA	1	9312-1610-11	14	02AA	1	9381-4610-31	20	10EA	1
1174-1020-01	05	45AA	1	1174-7377-01	02	21EA	1	9313-1610-11	18	30AA	1	9384-1110-61	22	02AA	9
1174-1023-01	04	39AA	1	1174-7392-01	02	09AA	1	9315-1610-31	03	37AA	1	9384-1211-01	22	02BA	5
1174-1031-01	02	24AA	1	1174-7383-02	02	09AA	1	9318-1610-11	10	23AA	1	9384-1310-81	20	03AA	30
1174-1033-01	02	11AA	1	1174-7801-01	01	32AA	1	9318-1610-31	09	40AA	1	9384-1310-91	22	13AA	13
1174-1041-01	02	16AA	1	1174-7901-04	22	18AA	1	9314-1310-21	03	65AA	1	9384-1311-01	22	01AA	45
1174-1042-01	02	04AA	1	1175-0101-04	20	07BA	1	9314-1310-31	08	29AA	1	9384-1311-11	22	16AA	1
1174-1046-02	02	33EA	1	1175-0451-02	01	31AA	1	9314-1610-11	04	21AA	1	9384-1311-21	22	06AA	1
1174-1047-02	02	33BA	1	1175-0452-02	01	31BA	1	9314-1610-11	03	19AA	1	9384-1710-71	04	46AA	5
1174-1052-01	02	52AA	1	1175-0453-02	01	31CA	1	9314-2610-11	05	24AA	1	9384-1710-71	04	46BA	4
1174-1332-01	03	59AA	1	1175-0453-02	01	31EA	1	9314-2610-11	09	11AA	1	9384-1820-31	22	04AA	4
1174-1332-01	03	59BA	1	1175-0455-02	01	31AA	1	9321-2310-32	11	16AA	1	9384-1900-53	22	05AA	1
1174-1457-01	07	04AA	1	1175-0458-02	01	31DA	1	9321-2310-32	11	44AA	1	9384-1900-56	03	56AA	4
1174-1525-01	08	27AA	1	1175-1001-02	02	33CA	1	9321-2310-41	13	09AA	1	9384-1900-56	04	03AA	4
1174-1601-01	03	21AA	1	1175-1004-01	02	50AA	1	9322-1610-11	17	23AA	1	9384-1900-56	20	03AA	13
1174-1611-01	03	36AA	1	1175-1005-02	02	17BA	1	9322-1610-21	17	21AA	1	9384-1900-61	03	66AA	1
1174-1637-01	03	08AA	1	1175-1006-01	02	08BA	1	9322-1610-31	12	18AA	1	9384-1900-61	03	66BA	1
1174-2301-01	04	32AA	1	1175-1037-01	02	14BA	1	9323-1410-11	04	43AA	1	9384-1900-61	20	02AA	4
1174-2308-01	05	01AA	1	1175-1046-02	02	33FA	1	9324-1810-21	20	23AA	1	9384-1921-21	22	07AA	2
1174-2354-01	20	41AA	1	1175-1601-01	04	08AA	1	9324-1810-31	20	23BA	1	9384-1921-31	22	07BA	4
1174-2382-01	05	24AA	1	1175-2384-01	21	15AA	1	9324-1810-51	20	20AA	1	9384-2010-21	22	09AA	21
1174-2383-01	04	45AA	1	1175-6601-02	20	08BA	1	9324-1810-61	20	20BA	1	9384-2010-31	22	10AA	4
1174-2384-01	20	24AA	1	1175-6803-01	20	16BA	1	9325-1610-12	20	04AA	1	9384-2310-41	05	29AA	1
1174-2386-01	18	31AA	1	1175-6835-02	20	16DA	1	9325-1610-12	20	04DA	1	9384-2310-41	10	11AA	1
1174-2387-01	22	13BA	1	1175-7307-01	21	33AA	1	9325-1610-22	20	04BA	1	9384-2310-41	20	11AA	1
1174-2388-01	10	14AA	1	1175-7373-01	01	28BA	1	9325-1610-22	20	04CA	1	9384-2610-11	22	08AA	2
1174-2388-01	20	14AA	1	1175-7375-01	02	21CA	1	9325-2610-21	20	17BA	1	9384-2610-36	22	09BA	4
1174-2388-01	20	31AA	1	1175-7376-01	02	21DA	1	9325-2610-51	20	17AA	1				
1174-3022-02	21	32AA	2	1175-7377-01	02	21FA	1	9325-3010-21	04	04BA	1				
1174-3130-01	02	40AA	1	1200-1342-02	21	17AA	2	9325-3010-31	04	04AA	1				
1174-3151-02	21	34AA	2	1200-1346-12	20	26AA	2	9325-3610-11	04	04CA	1				
1174-3161-02	21	34BA	2	1200-1422-02	03	13AA	2	9326-1310-61	18	48AA	1				
1174-3196-01	21	31AA	8	1200-1422-02	04	17AA	2	9326-1310-61	18	48BA	1				
1174-3305-01	12	13AA	1	1200-1422-02	17	28AA	1	9326-1410-31	20	44AA	1				
1174-4230-01	15	26AA	2	1200-1431-01	09	38AA	2	9326-1410-31	20	44BA	1				
1174-5012-02	14	21AA	1	1200-2105-02	21	40AA	2	9326-2820-11	01	26AA	1				
1174-5204-02	16	50AA	1	1200-2105-05	11	25AA	2	9331-1810-11	04	37AA	1				
1174-5206-02	16	22AA	1	1200-2105-05	17	12AA	2	9332-1310-11	20	38AA	6				
1174-5222-01	10	21AA	1	1200-2125-01	21	04AA	1	9332-5310-21	05	44AA	1				
1174-5224-01	16	23AA	1	1200-2226-22	21	11AA	1	9332-5810-11	04	44AA	1				
1174-5275-02	16	56AA	1	1200-3121-07	11	02AA	2	9334-1610-11	19	64AA	1				
1174-5276-01	16	53AA	1	1200-3121-09	11	37AA	2	9334-2610-11	03	04AA	1				
1174-5505-01	19	65AA	1	1200-3131-03	09	55AA	1	9335-1310-11	12	12AA	2				
1174-5521-01	19	63AA	1	1200-3134-16	11	19AA	4	9335-1310-21	03	48AA	2				
1174-5522-01	19	22AA	1	1200-3134-16	19	28AA	2	9335-1310-31	03	24AA	1				
1174-5574-01	19	20AA	1	1200-3211-08	16	52AA	1	9335-1310-31	11	23AA	5				
1174-5602-01	19	05AA	1	1200-3221-07	13	11AA	5	9335-1310-31	13	30AA	1				
1174-5609-01	19	43AA	1	1200-3231-05	17	38AA	1	9335-1310-31	14	22AA	1				
1174-5762-01	15	37AA	1	1200-5212-04	11	31AA	2	9335-1310-31	17	16AA	2				
1174-6501-01	04	28AA	1	1200-5212-04	17	06AA	2	9335-1310-31	19	49AA	1				
1174-6601-02	20	08AA	1	1200-5232-10	21	42AA	1	9335-1310-31	20	37AA	1				
1174-6801-02	04	05AA	1	1273-3048-01	27	36AA	1	9335-1310-41	03	47AA	1				
1174-6802-02	04	16AA	1	1273-3505-01	17	35AA	1	9335-1310-41	08	35AA	1				
1174-6803-02	20	16AA	1	1273-3535-01	02	35AA	1	9335-1310-51	10	09AA	1				
1174-6807-01	20	39AA	1	1273-3535-01	21	35AA	2	9343-4210-21	20	33AA	1				
1174-6811-01	08	23AA	1	1300-3122-32	05	03AA	1	9346-3610-31	20	19AA	1				
1174-6812-01	04	23BA	1	1300-3132-12	17	30AA	1	9346-3720-21	20	06AA	4				
1174-6817-02	04	05CA	1	1400-1122-04	09	19AA	2	9346-3720-51	20	19AA	1				
1174-6835-02	20	16CA	1	1400-1122-04	18	02AA	3	9351-1810-11	04	31AA	1				
1174-6845-01	20	22AA	1	1400-1132-06	08	04AA	1	9351-2610-11	07	16AA	1				
1174-6847-01	20	46AA	1	1400-1133-08	27	34AA	1	9351-2610-21	07	16BA	1				
1174-6850-01	18	49AA	1	1400-1134-07	15	53AA	1	9352-2610-21	19	58AA	1				
1174-7334-01	21	33BA	1	1400-1154-06	15	16AA	1	9352-2610-31	19	58BA	1				
1174-7335-01	21	56BA	1	1400-1167-05	18	15AA	2	9352-6310-11	06	22AA	1				
1174-7348-01	21	58CA	1	1400-1226-03	16	16AA	1	9352-6610-11	18	40AA	1				
1174-7349-01	21	58DA	1	1400-2110-01	18	43AA	2	9372-2610-11	19	01AA	1				

DEVELOP

1174-7995-71

Printed in Japan