

MINOLTA

# Parts Catalog

The essentials of imaging

# Di152

## PREFACE

1. The part numbers listed in Parts Catalog are those which were assigned to the parts making up the machine at the time machine was originally introduced onto the market.
2. Parts whose INDEX numbers are shown white against a black background in the illustration are those to be used in only certain market areas. These part numbers are given in the lower half part of the list section. Check the SFIX No. listed in SFIX CHART on page II to find which part number is applicable to your own area.
3. Parts whose INDEX numbers are shown black against a white background in the illustration are those to be used in all market areas. These parts are listed on the upper half part of the list section.
4. If "NS" follows a part number given in the list section, it indicates that we do not keep a stock of the part. The part is not required for ordinary service jobs, either.
5. If "RP" is shown in the REC column of the list section, it indicates that the part is functionally important.
6. In the exploded views in this Parts Catalog the parts (Screws & Washes, etc...) which are indicated with a "four-digit" numbers are listed in numerical order in the section "SCREWS AND WASHERS". Please check these "four-digit" numbers with the part numbers ("ten-digit" numbers) which should be used for ordering the part.
7. All part numbers consist of "ten-digit" which should all be quoted when ordering a part. The price of parts can be obtained by referring to the "Parts Price List" which is separately issued.
8. All information contained in this Parts Catalog is subject to change.

## SFIX CHART

SFIX No.	COUNTRY	VOLTAGE	FREQUENCY (Hz)	PAPER SIZE	SFIX No.	COUNTRY	VOLTAGE	FREQUENCY (Hz)	PAPER SIZE
011	JAPAN	100V	50-60Hz	METRIC	219	CHINA	220V	50Hz	METRIC
211	EUROPE	200-240V	50Hz	METRIC	311	USA/CANADA	120V	60Hz	INCH
212	SAFRICA/AUSTRALIA/S ARABIA/HONG KONG	200-240V	50-60Hz	METRIC	313	TAIWAN	110V	60Hz	METRIC
214	PHILIPPINE/L AMERICA	200-240V	50-60Hz	INCH	314	S ARABIA/CURACAO/ BRAZIL	120-127V	60Hz	METRIC
218	KOREA	220V	60Hz	METRIC					

CONTENTS

9. ORIGINAL COVER ..... 1

10. HOUSING ..... 3

11. FRAMES ..... 5

12. IR UNIT (A) ..... 7

13. IR UNIT (B) ..... 9

14. HOPPER SECTION ..... 11

15. IU RAIL SECTION ..... 13

16. CHARGE UNIT ..... 15

17. DEVELOPING UNIT ..... 17

18. CLEANER UNIT ..... 19

19. TRANSPORT UNIT ..... 21

20. FUSING UNIT ..... 23

21. PAPER EXIT SECTION ..... 25

22. DRIVE SECTION ..... 27

23. ELECTRICAL COMPONENTS ..... 29

24. MANUAL FEED SECTION ..... 31

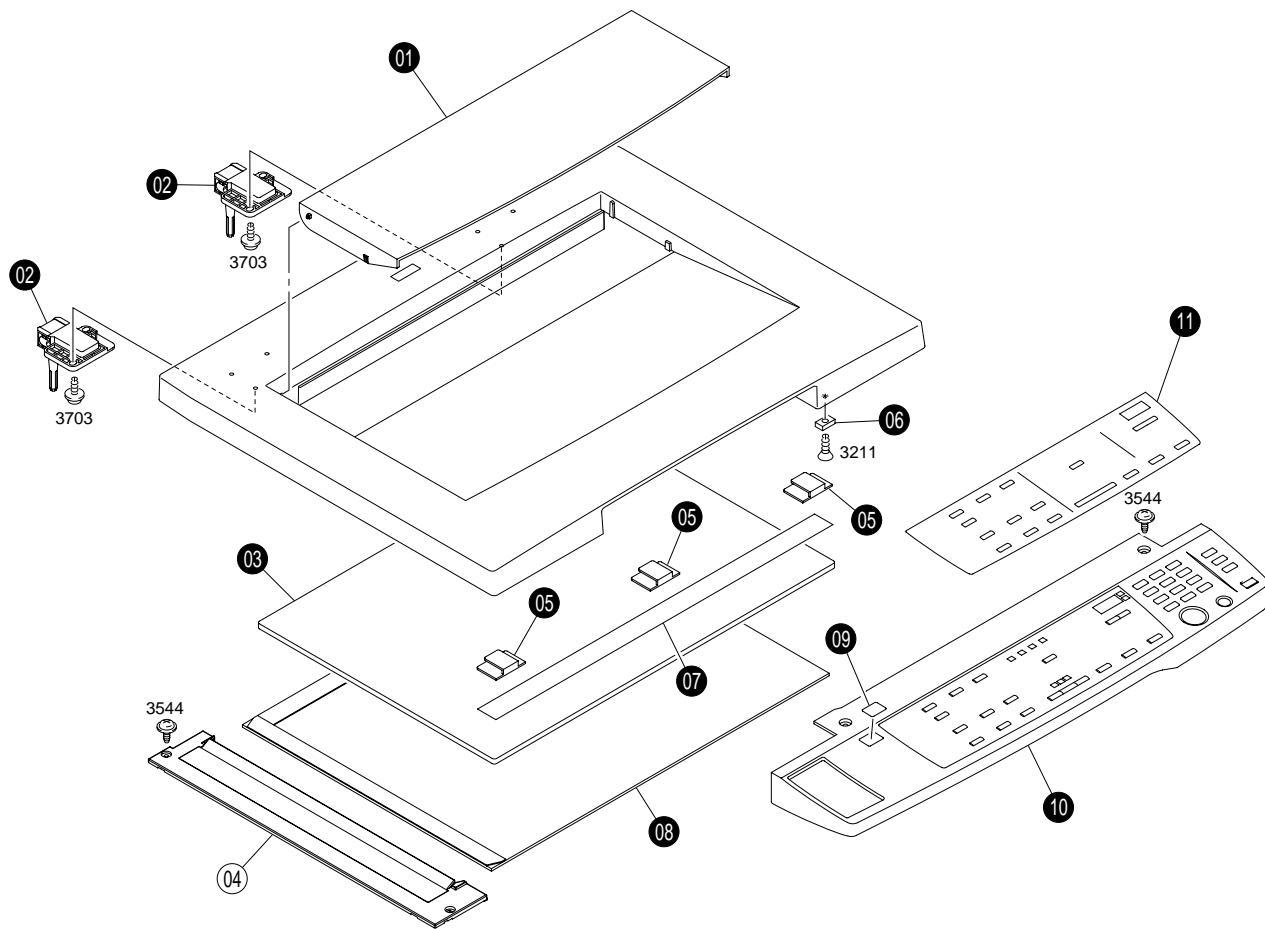
25. CASSETTE SECTION ..... 33

26. JOB TRAY (OPTION) ..... JS-202 ..... 35

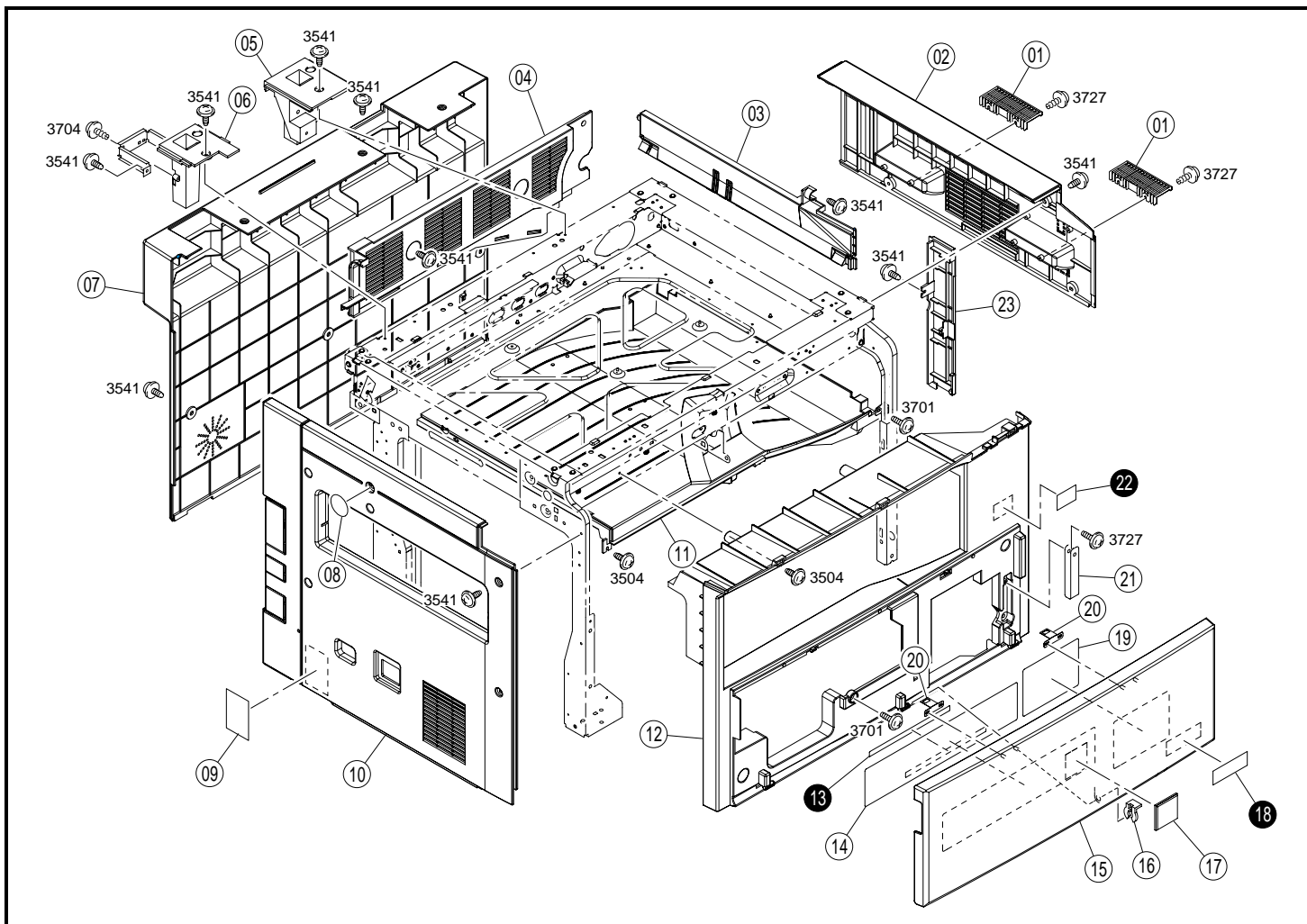
27. WIRING ACCESSORIES AND JIGS ..... 37

28. SCREWS AND WASHERS ..... 39

29. NUMERICAL INDEX ..... 0



INDEX	PART NO.	PART NAME	REC	QTY	INDEX	PART NO.	PART NAME	REC	QTY
04	4506-1008-01	COVER		1					
INDEX	PART NO.	PART NAME	REC	QTY	SFIX				
01	4002-1603-01	HOLDER		1	219				
01	4002-1603-01	HOLDER		1	011, 211, 212, 214, 218, 311, 313, 314				
02	1139-1705-01	HINGE		2	219				
02	1139-1705-01	HINGE		2	011, 211, 212, 214, 218, 311, 313, 314				
03	1139-1704-14	PAD		1	219				
03	1139-1704-14	PAD		1	011, 211, 212, 214, 218, 311, 313, 314				
05	1139-1703-02	SLIDER		3	219				
05	1139-1703-02	SLIDER		3	011, 211, 212, 214, 218, 311, 313, 314				
06	9326-2820-11	MAGNET		1	219				
06	9326-2820-11	MAGNET		1	011, 211, 212, 214, 218, 311, 313, 314				
07	1139-1706-01	POLYESTER FILM		1	219				
07	1139-1706-01	POLYESTER FILM		1	011, 211, 212, 214, 218, 311, 313, 314				
08	4506-1010-01	ORIGINAL GLASS ASSY		1	214, 311				
08	4506-1011-01	ORIGINAL GLASS ASSY		1	211, 212, 218, 219, 313, 314				
08	4506-1012-01	ORIGINAL GLASS ASSY		1	011				
09	4022-7303-01	LABEL		1	311				
10	4021-6052-04	CONTROL PANEL ASSY	RP	1	212, 214, 218, 219, 311, 313, 314				
10	4021-6053-04	CONTROL PANEL ASSY	RP	1	211				
10	4022-6051-04	CONTROL PANEL ASSY	RP	1	011				
11	4022-1201-02	PANEL SHEET		1	214, 311				
11	4022-1202-02	PANEL SHEET		1	212, 313, 314				
11	4022-1203-02	PANEL SHEET		1	011				
11	4022-1204-01	PANEL SHEET		1	219				
11	4022-1205-01	PANEL SHEET		1	218				

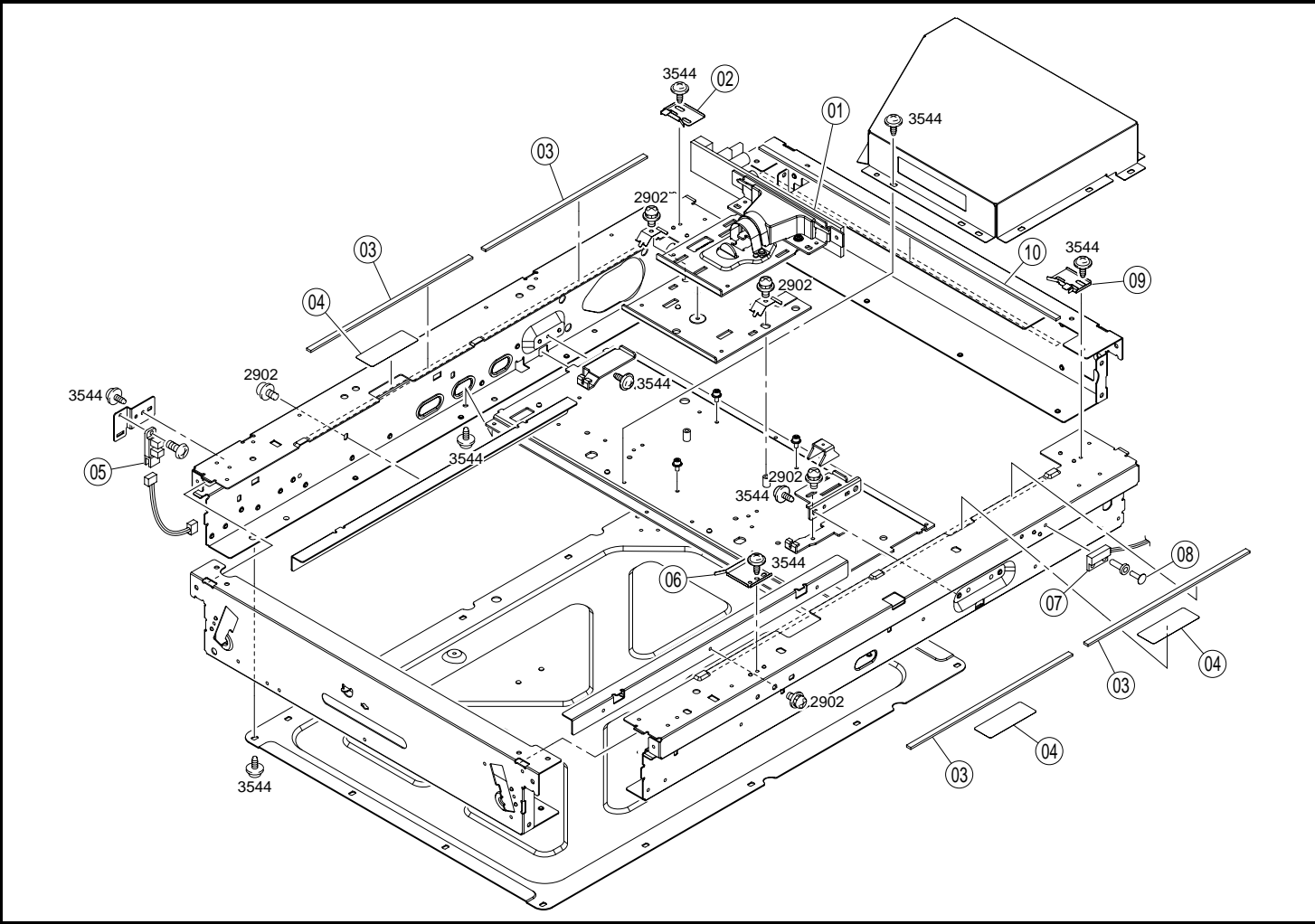


INDEX	PART NO.	PART NAME	REC	QTY	INDEX	PART NO.	PART NAME	REC	QTY
01	4021-1011-01	HANDLE		2	21	4120-1014-02	BAND		1
02	4021-1003-02	COVER		1	23	4021-1010-01	COVER		1
03	4021-1017-02	COVER		1					
04	4021-1015-04	COVER		1					
05	4021-1307-03	HOLDER		1					
06	4021-1308-01	HOLDER		1					
07	4021-1005-03	REAR COVER		1					
08	4021-7603-01	SEAL		1					
09	4004-7402-01	LABEL		1					
10	4021-1004-04	LEFT COVER		1					
11	4021-1014-02	TRAY		1					
12	4021-1002-04	COVER		1					
14	4021-7301-01	LABEL		1					
15	4021-1001-03	COVER		1					
16	1033-4402-01	STOPPER RING		1					
17	4002-7305-01	LABEL		1					
19	4011-7311-01	LABEL		1					
20	4021-1009-01	REINFORCE PLATE		2					
INDEX	PART NO.	PART NAME	REC	QTY	SFIX				
13	4021-7314-01	LABEL		1	212, 214, 218, 219, 311, 313, 314				
13	4021-7315-01	LABEL		1	211				
13	4022-7305-01	LABEL		1	011				
18	4011-7322-01	LABEL		1	311				
18	4022-7301-01	LABEL		1	011, 211, 212, 214, 218, 219, 313, 314				
22	4011-7308-01	LABEL		1	011				
22	4011-7309-01	LABEL		1	211, 212, 214, 218, 219, 311, 313, 314				





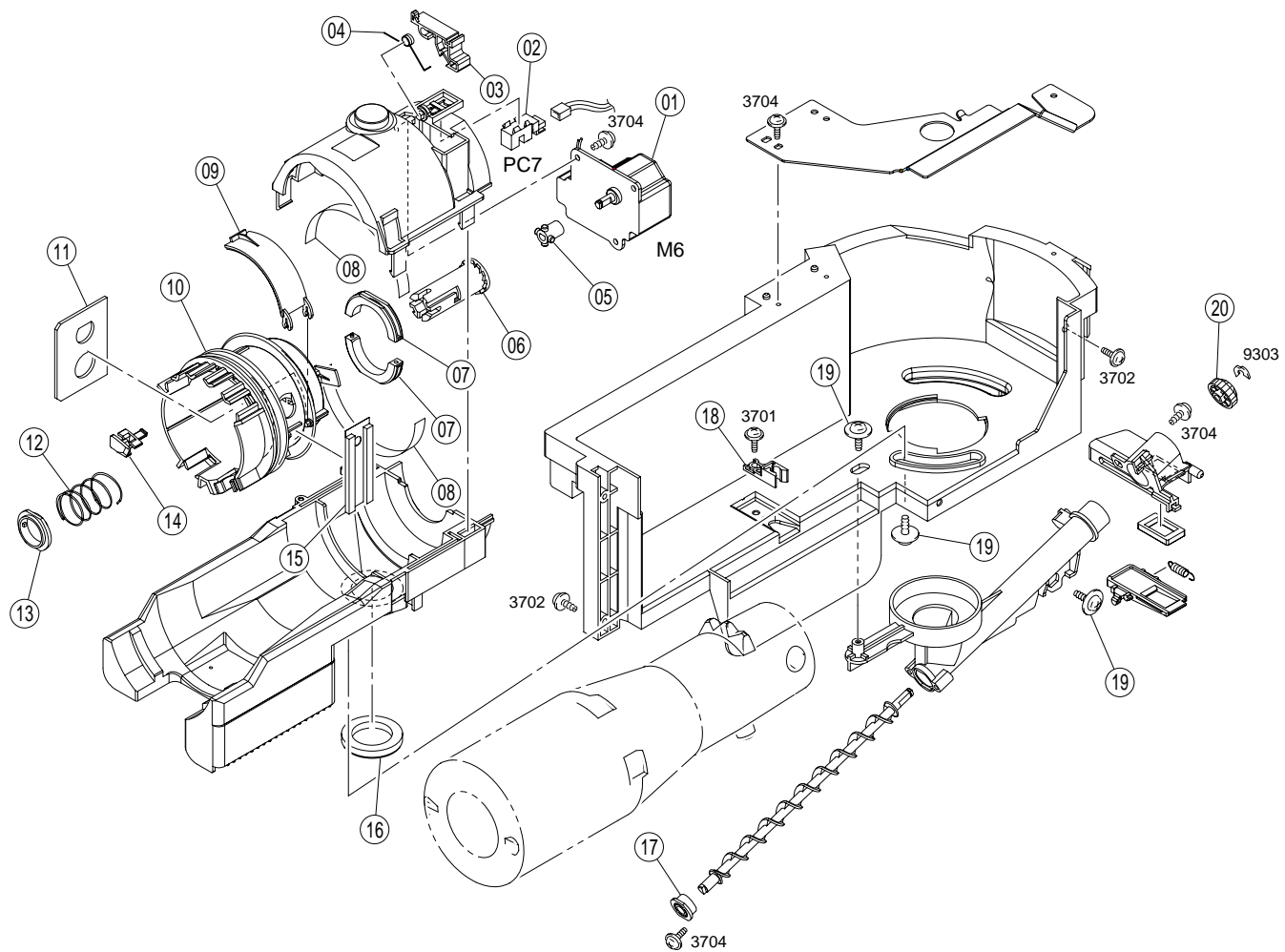
INDEX	PART NO.	PART NAME	REC	QTY	INDEX	PART NO.	PART NAME	REC	QTY
01	4021-2009-02	LEVER		1					
02	9332-1710-41	SWITCH SAFETY (S2)		1					
04	4021-2210-01	SEAL		1					
05	4021-3011-01	PLATE SPRING		1					
06	4021-3005-01	PLATE SPRING		1					
08	4128-1979-01	SHOULDER SCREW		2					
09	4128-1978-01	PRESSURE SPRING		2					
10	4156-3826-01	RUBBER FOOT		2					
11	4686-3304-01	STOPPER		2					
INDEX	PART NO.	PART NAME	REC	QTY	SFIX				
03	9459-1807-01	RESISTOR (R1)		1	211, 212, 214, 218, 219				
07	4021-0531-03	P/H ASSY		1	011, 211, 212, 214, 219, 311, 313, 314				
07	4021-0533-01	P/H ASSY		1	218				
12	4690-0101-01	PWB ASSY (PWB-A)	RP	1	211, 212, 214, 218, 219, 311, 313, 314				
13	4686-0901-01	PHOTO INTERRUPTER HOME (S31)		1	211, 212, 214, 218, 219, 311, 313, 314				
14	9314-1100-31	MOTOR SHIFT DRIVE (M1)		1	211, 212, 214, 218, 219, 311, 313, 314				
15	4690-2401-01	GEAR		1	211, 212, 214, 218, 219, 311, 313, 314				
16	9384-1900-56	PWB SUPPORT 6.35H		2	211, 212, 214, 218, 219, 311, 313, 314				
17	9323-1410-11	COUNTER		1	011				
17	9323-1410-11	COUNTER OPTION		1	211, 212, 214, 218, 219, 311, 313, 314				



INDEX	PART NO.	PART NAME	REC	QTY	INDEX	PART NO.	PART NAME	REC	QTY
01	4506-1026-01	CCD UNIT		1					
02	4506-1007-01	SET PLATE		1					
03	4506-1003-01	CUSHION		4					
04	4506-1038-01	SEAL		3					
05	4506-1001-01	PHOTO INTERRUPTER		1					
06	4506-1005-01	SET PLATE		1					
07	4647-1039-01	MAGNETIC SW		1					
08	4506-1002-01	PIN		1					
09	4506-1006-01	SET PLATE		1					
10	4506-1004-01	CUSHION		1					
INDEX	PART NO.	PART NAME	REC	QTY	SFIX				

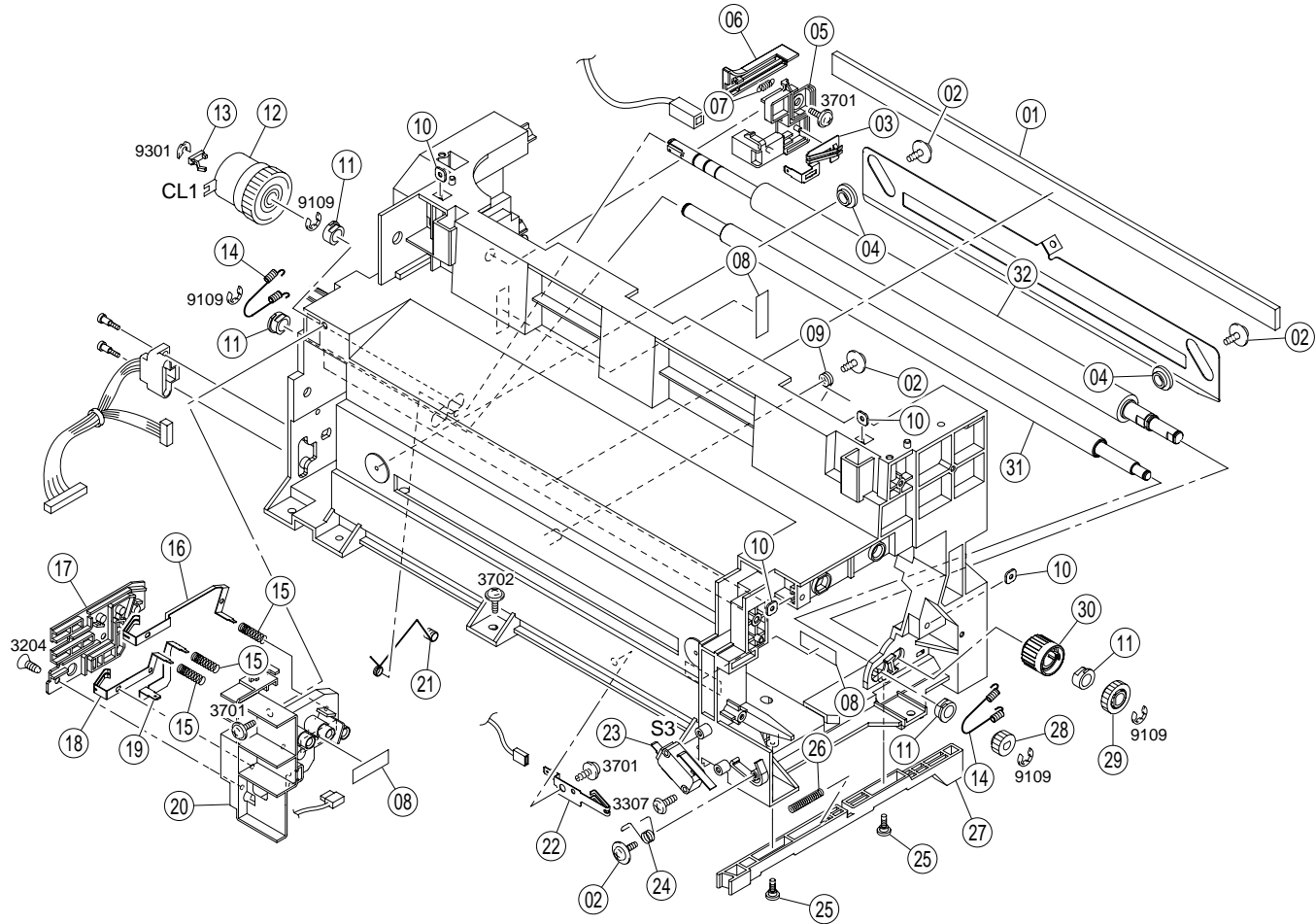


INDEX	PART NO.	PART NAME	REC	QTY	INDEX	PART NO.	PART NAME	REC	QTY
01	4506-1015-01	PULLEY		2	19	4506-1031-01	SET PLATE		1
02	4506-1018-01	PULLEY		1	20	4506-1030-01	PULLEY		2
03	4506-1022-01	TIMING BELT		1	21	4506-1020-01	TENSION SPRING		1
04	4506-1024-01	GEAR		1	22	4506-1033-01	SHOULDER SCREW		1
05	4506-1016-01	CUSHION		3	23	4506-1027-01	WIRE HARNESS ASSY		1
06	4506-1013-01	WIRE		2	24	4506-1029-01	MIRROR		2
07	4506-1021-01	BUSHING		2					
08	4506-1017-01	GEAR		1					
09	4506-1025-01	SPACER		1					
10	4506-1019-01	TENSION SPRING		1					
11	4506-1014-01	MOTOR		1					
12	4506-1034-01	LAMP	RP	1					
13	4506-1032-01	BUSHING		5					
14	4506-1028-01	WIRE HARNESS ASSY		1					
15	4506-1037-01	HOLDER		2					
16	4506-1036-01	MIRROR		1					
17	4506-1035-01	INVERTER	RP	1					
18	4506-1023-01	PULLEY		2					
INDEX	PART NO.	PART NAME	REC	QTY	SFIX				

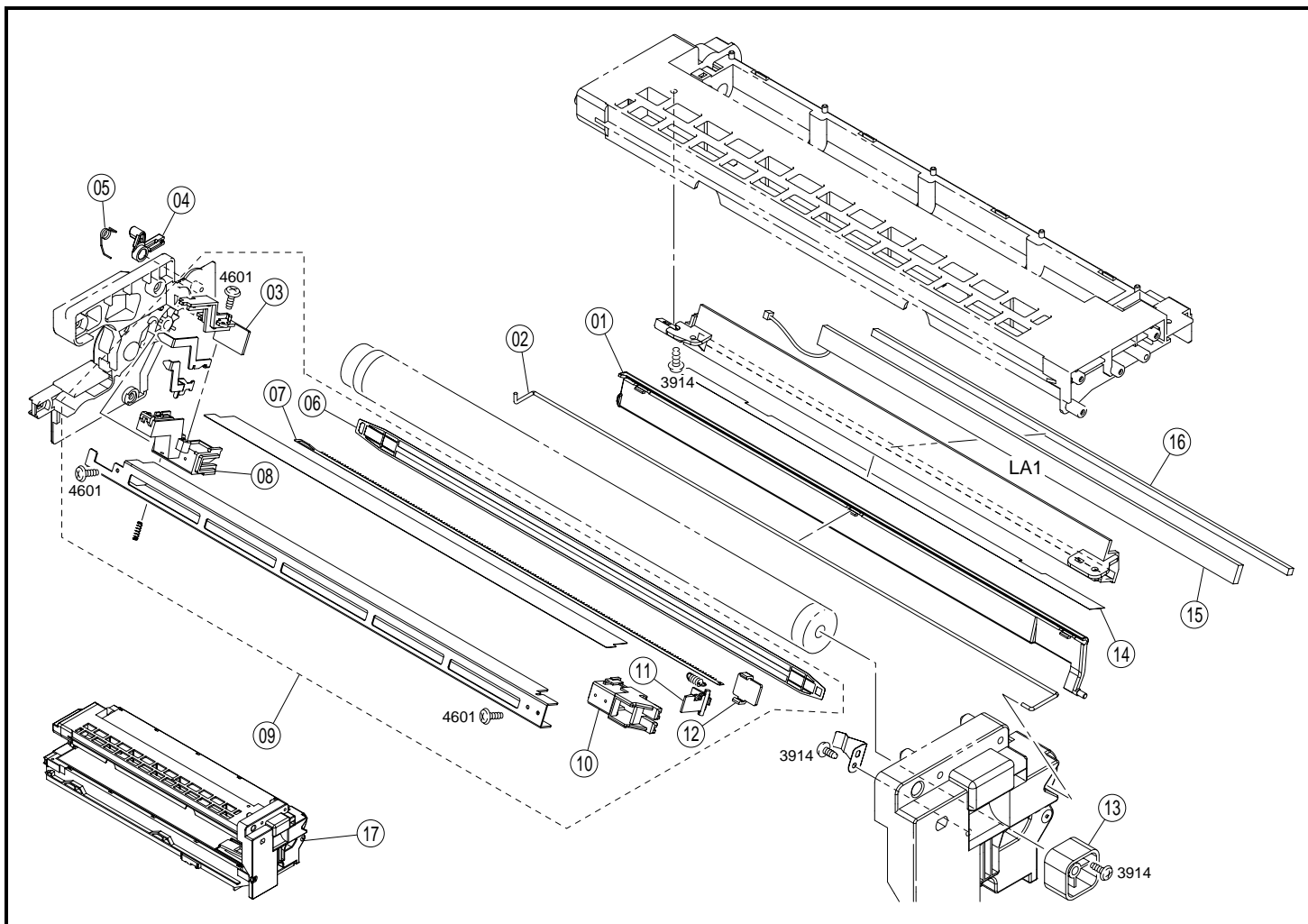


INDEX	PART NO.	PART NAME	REC	QTY	INDEX	PART NO.	PART NAME	REC	QTY
01	9312-1100-11	MOTOR		1	19	4163-5293-01	SCREW		3
02	4611-6301-01	PHOTO INTERRUPTER		1	20	1139-5730-01	GEAR 18T		1
03	4021-5314-01	LEVER		1					
04	1139-5022-01	TORSION SPRING		1					
05	4021-5315-01	PIN		1					
06	1165-5326-02	SHAFT		1					
07	1151-5023-01	SUPPORT		2					
08	1139-5026-01	POLYESTER FILM		2					
09	4021-5303-01	SHUTTER		1					
10	4021-5310-01	COUPLING		1					
11	1174-5010-01	SHEEL		1					
12	1151-5033-02	PRESSURE SPRING		1					
13	1151-5032-01	COLLAR		1					
14	1139-5018-04	DETECTING PLATE		3					
15	4021-5309-01	SEAL		1					
16	4021-5316-02	SEAL		1					
17	4163-5278-01	BUSHING		1					
18	1139-5015-01	LOCK LEVER		1					
INDEX	PART NO.	PART NAME	REC	QTY	SFIX				

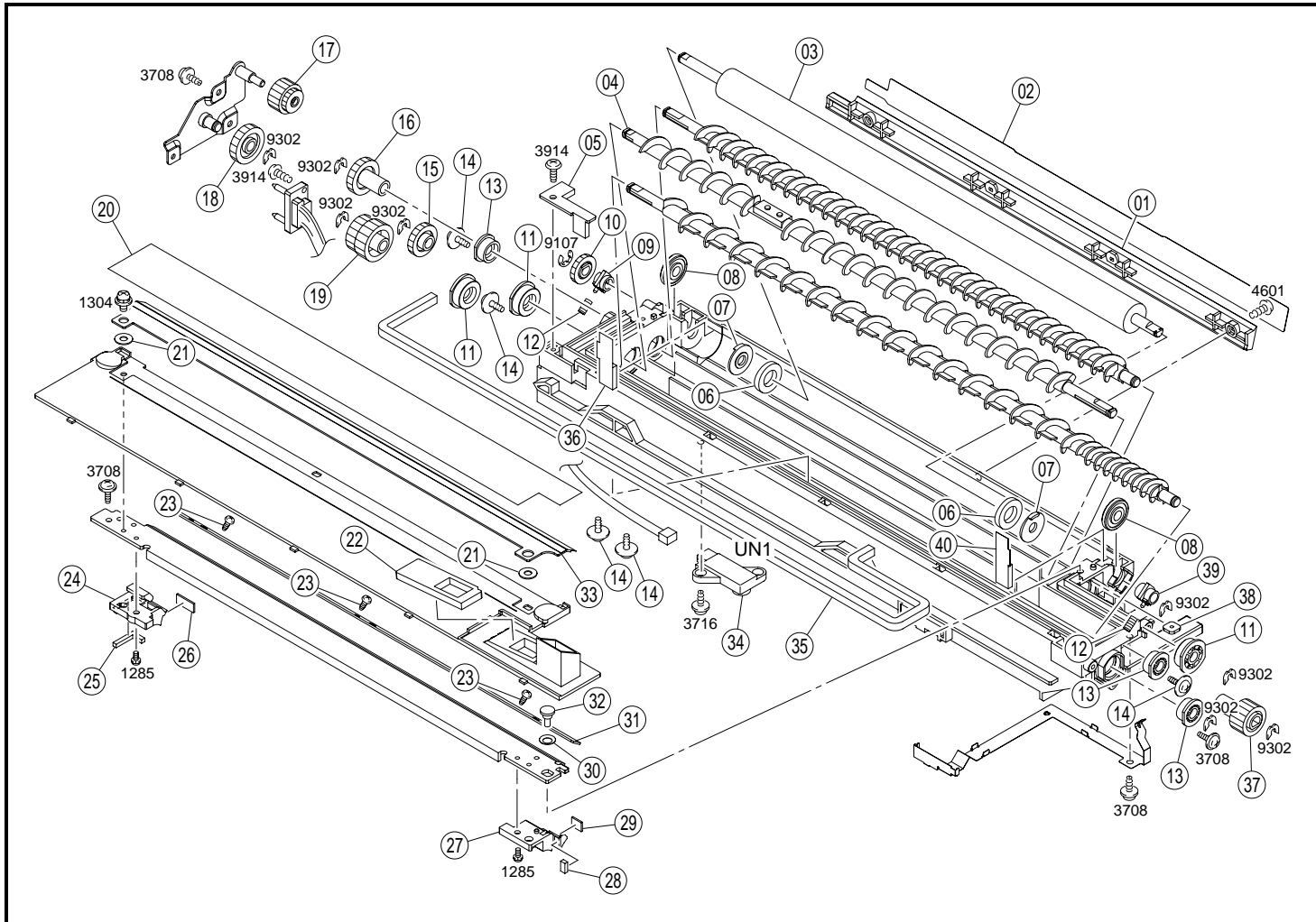




INDEX	PART NO.	PART NAME	REC	QTY	INDEX	PART NO.	PART NAME	REC	QTY
01	4021-2026-01	SEAL		1	19	4021-2108-01	CONTACT		1
02	4163-5293-01	SCREW		4	20	4021-2104-04	HOLDER		1
03	4021-2106-01	CONTACT		1	21	4021-3514-01	CONTACT		1
04	4021-2015-01	COLLAR		2	22	4021-2110-01	CONTACT		1
05	4021-2103-02	HOLDER		1	23	9331-2710-11	MICRO SWITCH FRONT LOCK (S3)		1
06	4021-4357-02	LEVER		1	24	4021-2208-03	TORSION SPRING		1
07	4021-4369-01	TENSION SPRING		1	25	4021-2316-01	SHOULDER SCREW		2
08	1129-7303-01	LABEL		3	26	4021-2308-01	PRESSURE SPRING		1
09	4021-2023-01	TORSION SPRING		1	27	4021-2301-02	ARM		1
10	4002-5042-01	PLATE NUT		4	28	1164-3515-01	GEAR		1
11	1164-3509-01	BUSHING		4	29	1164-3508-01	GEAR		1
12	9322-1100-11	CLUTCH TIMING (CL1)		1	30	4021-3505-01	KNOB		1
13	1149-3117-01	SPACER		1	31	4021-3507-01	ROLLER		1
14	4021-3513-01	TENSION SPRING		2	32	4021-3506-02	ROLLER		1
15	4021-2101-01	PRESSURE SPRING		3					
16	4021-2107-01	CONTACT		1					
17	4021-2111-02	COVER		1					
18	4021-2109-01	CONTACT		1					
INDEX	PART NO.	PART NAME	REC	QTY	SFIX				



INDEX	PART NO.	PART NAME	REC	QTY	INDEX	PART NO.	PART NAME	REC	QTY
01	4021-4354-02	SHUTTER		1					
02	4021-4355-02	LEVER		1					
03	4021-4103-02	COVER		1					
04	4021-4356-03	LEVER		1					
05	4021-4358-01	TORSION SPRING		1					
06	4163-4104-02	GRID	RP	1					
07	4163-4103-01	ELECTRODE NEEDLE	RP	1					
08	4021-4102-02	HOLDER		1					
09	4021-0306-02	DRUM CHARGE UNIT	RP	1					
10	4021-4101-02	HOLDER		1					
11	4021-4107-01	LEVER		1					
12	4163-4106-01	COVER		1					
13	4021-4362-01	PIN	RP	1					
14	1165-4310-01	SEAL		1					
15	4021-6505-01	LED PILOT LAMP	ERASER (LA1)	RP					
16	1165-4307-01	SEAL		1					
17	4021-0308-07	IU		1					
INDEX	PART NO.	PART NAME	REC	QTY	SFIX				



INDEX	PART NO.	PART NAME	REC	QTY	INDEX	PART NO.	PART NAME	REC	QTY
01	4021-5204-02	GUIDE		1	21	4021-5229-01	WASHER		2
02	4021-5222-01	SEAL	RP	1	22	4021-5203-03	SEAL		1
03	4163-5296-02	DEVELOPING ROLLER		1	23	4163-5271-01	SCREW		3
04	4021-0752-01	SCREW ASSY		1	24	4021-5221-01	GUIDE		1
05	4021-5226-01	COVER		1	25	4163-5229-02	SEAL		1
06	4021-5225-01	SEAL		2	26	4163-5245-01	MAGNET		1
07	4163-5226-01	HOLDER		2	27	4163-5272-01	GUIDE		1
08	4163-5298-01	ROLL		2	28	4163-5241-03	SEAL		1
09	4021-5231-01	BUSHING		1	29	4163-5244-01	MAGNET		1
10	4021-5232-01	GEAR		1	30	1139-5250-01	PLATE SPRING		1
11	4163-5277-01	BUSHING		3	31	4163-5217-01	REGULATING PLATE		1
12	4163-5231-02	PRESSURE SPRING		2	32	1139-5249-01	SHOULDER SCREW		1
13	4163-5278-01	BUSHING		3	33	4163-5204-04	REGULATING PLATE		1
14	4163-5293-01	SCREW		5	34	4163-6051-01	ATDC SENSOR	ATDC (UN1)	RP
15	4021-5213-01	GEAR		1	35	4021-5207-01	SEAL		1
16	4021-5212-02	GEAR		1	36	4163-5237-01	SEAL		1
17	4021-5211-01	GEAR		1	37	4021-5219-01	GEAR		1
18	4021-5227-01	GEAR		1	38	4002-5042-01	PLATE NUT		1
19	4021-5214-01	GEAR		1	39	4163-5230-03	BUSHING		1
20	4163-5252-04	SEAL		1	40	4163-5221-01	SEAL		1
INDEX	PART NO.	PART NAME	REC	QTY	SFIX				



INDEX	PART NO.	PART NAME	REC	QTY	INDEX	PART NO.	PART NAME	REC	QTY
01	4163-5607-02	SCREW		1	19	4021-5615-01	GEAR		1
02	4163-5617-01	SEAL		1	20	4163-5639-01	GEAR		2
03	4163-4370-01	SEPARATOR	RP	3	21	4021-5205-01	GEAR		1
04	4163-4072-01	TORSION SPRING		3	22	4163-5293-01	SCREW		1
05	4163-4361-04	HOLDER		3	23	4021-5611-01	SEAL		1
06	4162-4074-01	GUIDE		2	24	4163-5605-02	SEAL		1
07	4163-5604-02	SEAL		1	25	4163-5606-04	SEAL		1
08	4021-5618-01	GEAR		1	26	4163-5612-02	SEAL		1
09	4163-5611-01	BUSHING		2	27	4163-5620-01	SEAL		1
10	4163-5609-01	GEAR		2					
11	4163-5625-01	BUSHING		1					
12	4021-5619-01	GEAR		1					
13	4163-5614-01	SEAL		1					
14	1156-4118-02	OZONE FILTER	RP	1					
15	4163-5602-02	CLEANING BLADE	RP	1					
16	4163-4302-01	NETURALIZING MEMBER	RP	1					
17	4021-5616-01	GEAR		1					
18	4163-5603-01	SEAL		2					

INDEX	PART NO.	PART NAME	REC	QTY	SFIX

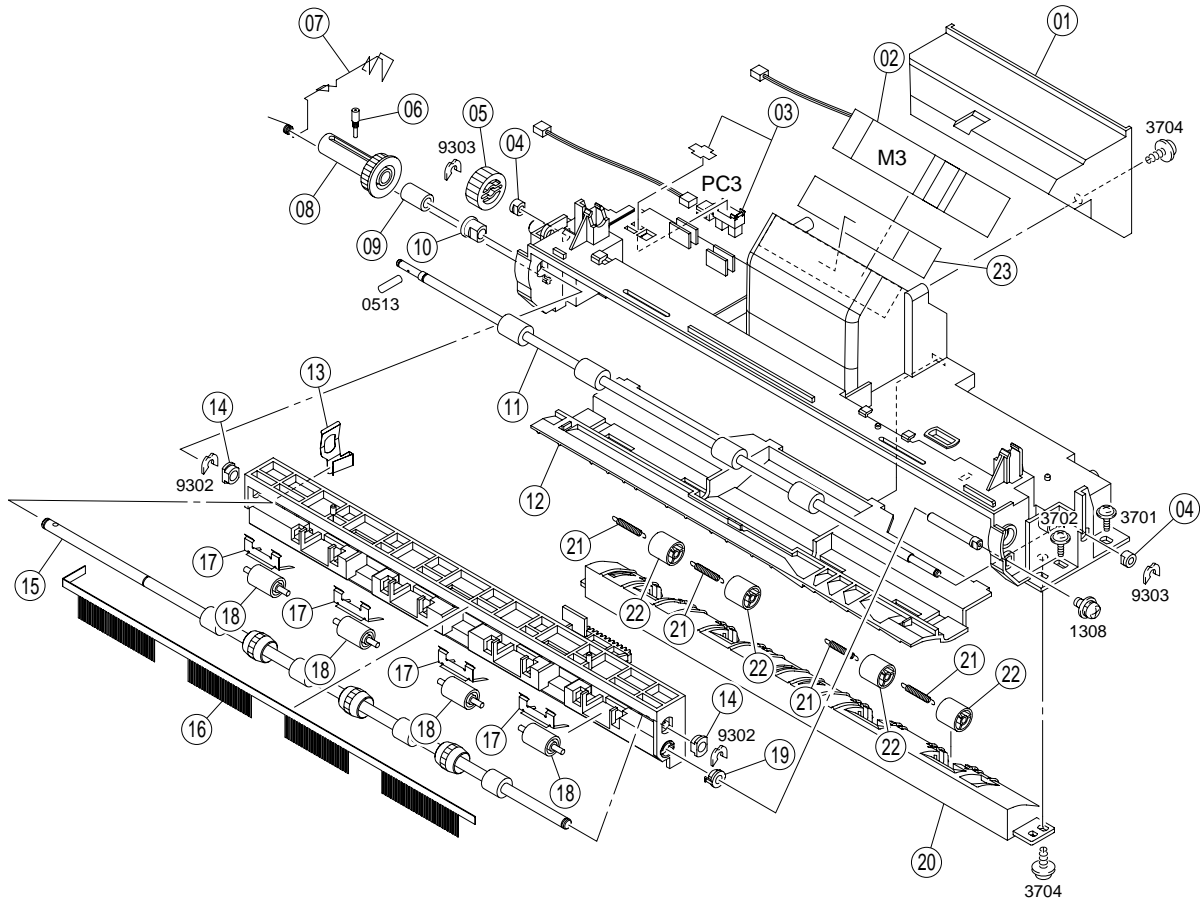




INDEX	PART NO.	PART NAME	REC	QTY	INDEX	PART NO.	PART NAME	REC	QTY
01	4021-3502-02	COVER		1					
02	4021-2019-02	HINGE		1					
03	4021-3522-01	SEAL		2					
04	4021-2305-01	CONTACT		1					
05	4011-3515-01	PRESSURE SPRING		2					
06	4021-3523-01	SEAL		2					
07	4021-7302-01	LABEL		1					
08	1164-4207-01	PRESSURE SPRING		2					
09	1164-4206-02	BUSHING		2					
10	4011-0112-01	PWB ASSY	(PWB-R2)	1					
11	4163-5293-01	SCREW		1					
12	4021-0315-01	TRANSFER ROLLER ASSY	RP	1					
13	4021-4211-01	STOPPER		1					
14	4021-2315-01	LEVER		1					
15	4021-2312-01	TORSION SPRING		1					
16	4021-2313-02	HANDLE		1					
17	4021-2307-01	LEVER		1					
18	4021-2311-01	LEVER		1					
INDEX	PART NO.	PART NAME	REC	QTY	SFIX				



INDEX	PART NO.	PART NAME	REC	QTY	INDEX	PART NO.	PART NAME	REC	QTY
02	4021-7310-01	LABEL		1	21	4021-5713-02	GEAR		1
03	4021-5742-01	SHOULDER SCREW		2	22	4021-5728-02	BUSHING		1
04	1164-5765-01	SPACER		2	23	4021-5710-03	BUSHING	RP	2
05	4021-5711-01	BUSHING	RP	2	24	4021-5731-01	GEAR		1
06	4021-5722-01	ACTUATOR		1	25	4021-5745-01	SEAL		1
07	4021-5723-01	TENSION SPRING		1	26	4021-5729-01	CONTACT		1
08	4021-5714-03	GUIDE		1	27	4021-5732-01	CONTACT		1
09	4021-5715-01	TORSION SPRING		1	28	4011-0110-01	PWB ASSY (PWB-R1)		1
10	4021-5720-02	SEPARATOR	RP	4	29	4021-5727-01	TENSION SPRING		2
11	4021-5721-01	TENSION SPRING		4	30	9334-1100-11	THERMAL SWITCH FUSING (TS1)	RP	1
12	9372-2710-12	THERMISTOR FUSING (TH1)	RP	1	31	4021-5725-02	LEVER		1
14	4021-5739-01	PROTECTION		2	32	4021-5724-01	LEVER		1
15	4021-5740-02	STOP RING		1	33	4021-5701-02	ROLLER	RP	1
16	4021-5747-01	CONTACT		1	34	4021-5741-01	LABEL		1
17	4021-5726-02	LEVER		1	35	4021-5735-02	TORSION SPRING		1
18	4021-5733-01	LEVER		1	36	4021-5702-01	ROLLER	RP	1
19	4021-5734-01	HOLDER		1	37	4021-5746-01	NETURALIZING MEMBER		1
20	4021-5712-01	STOP RING		2					
INDEX	PART NO.	PART NAME	REC	QTY	SFIX				
01	4021-0320-03	FUSING UNIT	RP	1	011				
01	4021-0321-03	FUSING UNIT	RP	1	311, 313, 314				
01	4021-0322-03	FUSING UNIT	RP	1	211, 212, 214, 218, 219				
13	9352-2100-21	HEATER FUSING (H1)	RP	1	011				
13	9352-2100-31	HEATER FUSING (H1)	RP	1	311, 313, 314				
13	9352-2100-41	HEATER FUSING (H1)	RP	1	211, 212, 214, 218, 219				

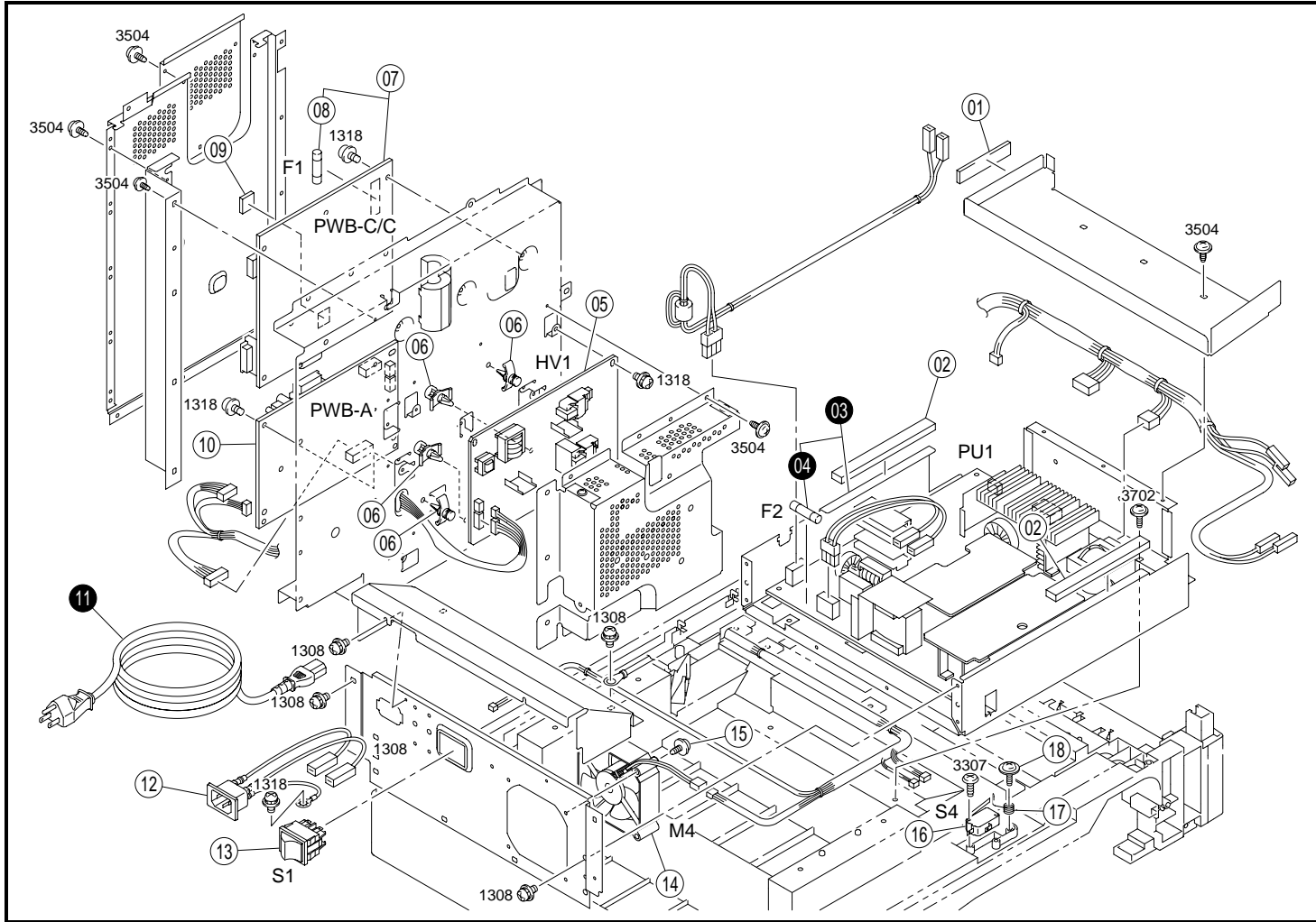


INDEX	PART NO.	PART NAME	REC	QTY	INDEX	PART NO.	PART NAME	REC	QTY
01	4021-5821-01	DUCT		1	19	4021-5825-01	BUSHING		1
02	9313-1100-11	FAN MOTOR FUSING COOL (M3)		1	20	4021-5809-02	GUIDE		1
03	4686-0901-01	PHOTO INTERRUPTER PAPER EXIT (PC3)		1	21	4021-5812-02	TENSION SPRING		4
04	4021-5826-01	BUSHING		2	22	4021-5811-02	ROLL		4
05	4021-5813-01	GEAR		1	23	4021-5822-01	SPACER		1
06	4021-5805-01	SHOULDER SCREW		1					
07	4021-5815-01	SPRING		1					
08	4021-5806-01	GEAR		1					
09	4021-5823-01	COLLAR		1					
10	4021-5827-01	BUSHING		1					
11	4021-5810-03	ROLLER		1					
12	4021-5808-01	GUIDE		1					
13	4021-5819-01	SET PLATE		1					
14	1159-1938-01	BUSHING		2					
15	4021-5801-03	ROLLER		1					
16	4021-5814-01	NEUTRALIZING BRUSH		1					
17	4021-5803-02	PLATE SPRING		4					
18	4021-5802-01	ROLL		4					
INDEX	PART NO.	PART NAME	REC	QTY	SFIX				



INDEX	PART NO.	PART NAME	REC	QTY	INDEX	PART NO.	PART NAME	REC	QTY
01	9314-2000-91	MOTOR		1	19	4021-2515-01	GEAR		1
02	4021-2513-01	GEAR		2	20	4021-2516-01	GEAR		1
03	4011-2504-01	BUSHING		1	21	4021-2501-01	GEAR		1
04	9321-2100-11	SOLENOID		1	22	4021-2503-01	GEAR		1
05	4021-2545-01	PRESSURE SPRING		1	23	4021-2509-01	GEAR		1
06	4021-2542-01	BUSHING		1	24	4021-2504-01	GEAR		1
07	4021-2541-01	TORSION SPRING	RP	1	25	4021-2502-01	GEAR		1
08	4021-2540-01	RATCHET		1					
09	4021-2517-01	GEAR		1					
10	4021-2547-02	BUSHING		1					
11	4021-2508-01	GEAR		1					
12	4021-2507-01	GEAR		1					
13	4021-2506-01	GEAR		1					
14	4021-2510-01	GEAR		1					
15	4021-2505-01	GEAR		1					
16	4021-2511-01	GEAR		1					
17	4021-2512-01	GEAR		1					
18	4021-2514-01	GEAR		1					
INDEX	PART NO.	PART NAME	REC	QTY	SFIX				

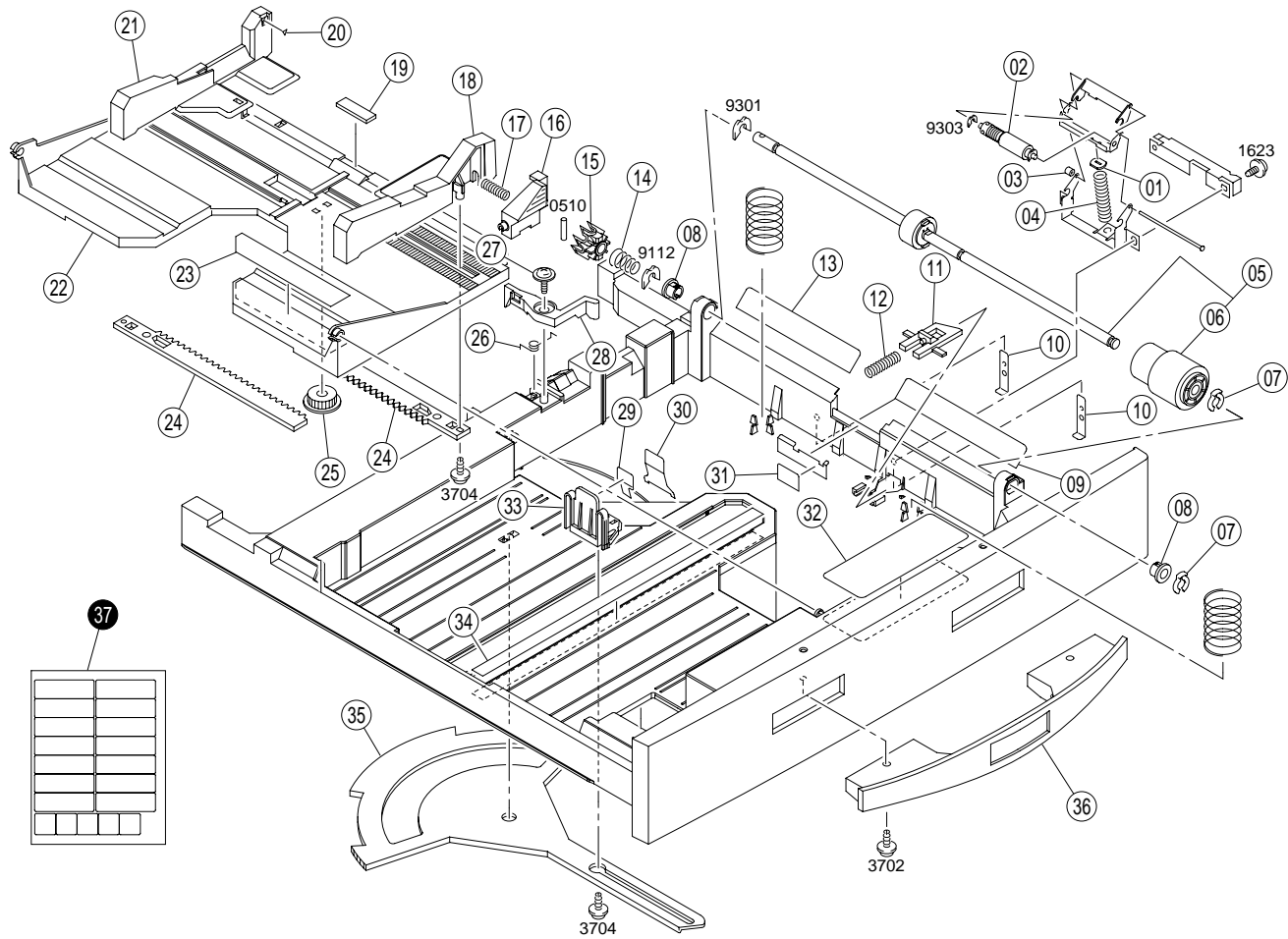




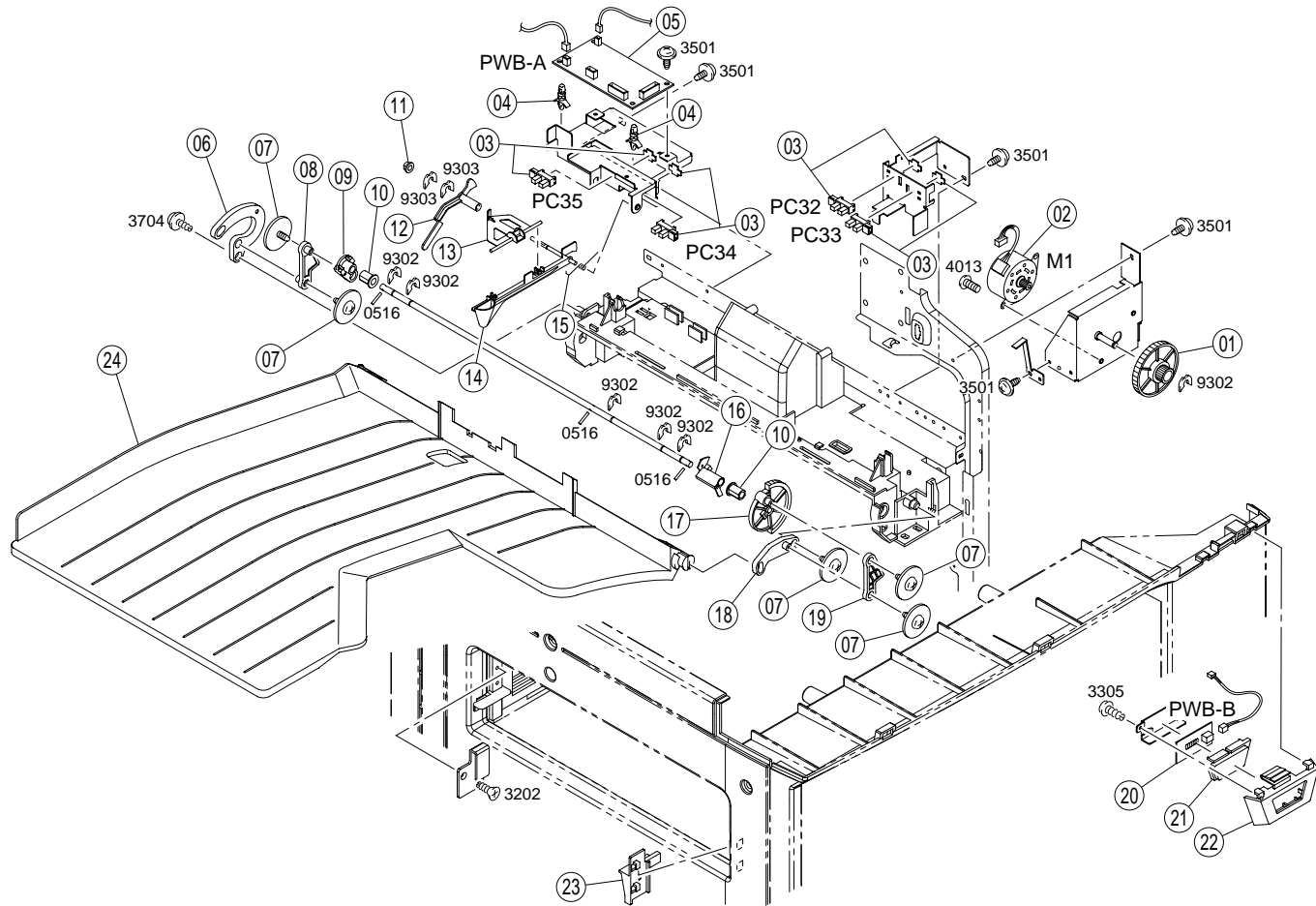
INDEX	PART NO.	PART NAME	REC	QTY	INDEX	PART NO.	PART NAME	REC	QTY
01	1171-6201-01	MAGNETIC MEMBER		1					
02	1155-6223-01	SHIELD		2					
05	4021-6203-01	HV TRANSFORMER (HV1)		1					
06	9384-1820-81	PWB SUPPORT 9.4H		4					
07	4021-6051-03	PWB ASSY (PWB-C/C)	RP	1					
08	9346-3110-41	FUSE 3A (F1)	RP	1					
09	4021-6611-01	IC		1					
10	4021-0101-06	PWB ASSY (PWB-A)	RP	1					
12	4021-6801-01	WIRE HARNESS ASSY		1					
13	9332-5810-11	SWITCH MAIN (S1)		1					
14	9313-1100-11	FAN MOTOR PU COOL (M4)		1					
15	0993-2045-01	SCREW		2					
16	9331-2710-11	MICRO SWITCH RIGHT LOCK (S4)		1					
17	4021-2208-03	TORSION SPRING		1					
18	4163-5293-01	SCREW		1					
INDEX	PART NO.	PART NAME	REC	QTY	SFIX				
03	4021-6201-02	POWER SUPPLY (PU1)		1	011, 311, 313, 314				
03	4021-6202-02	POWER SUPPLY (PU1)		1	211, 212, 214, 218, 219				
04	1131-7802-01	FUSE 6.3A (F2)	RP	1	211, 212, 214, 218, 219				
04	9346-3620-51	FUSE 15A (F2)	RP	1	011, 311, 313, 314				
11	9381-4310-51	POWER CORD		1	214				
11	9381-4810-31	POWER CORD		1	011				
11	9381-4810-61	POWER CORD		1	212				
11	9381-4910-21	POWER CORD		1	219				
11	9381-4911-01	POWER CORD		1	311, 313				
11	9381-4911-21	POWER CORD		1	218				



INDEX	PART NO.	PART NAME	REC	QTY	INDEX	PART NO.	PART NAME	REC	QTY
01	4021-3111-01	REGULATING PLATE		1	19	1164-3027-01	ACTUATOR		1
02	4021-3112-01	REGULATING PLATE		1	20	4611-6301-01	PHOTO INTERRUPTER MPC (PC1.4)		2
03	1274-2611-01	BUSHING		2	21	4021-3503-01	HOLDER		1
04	4021-3102-01	ROLLER	RP	1	22	4021-3504-01	ACTUATOR		1
05	4011-3205-01	ACTUATOR		1	23	1139-3131-01	TORSION SPRING		1
06	4686-0901-01	PHOTO INTERRUPTER (PC2.5)		2	24	4021-0151-01	HOLDER ASSY	RP	1
07	4603-3218-01	SPRING		4	25	4021-3109-02	PLATE SPRING		1
08	4603-3207-01	ROLL		4	26	4603-3205-01	GEAR		1
09	4021-3105-01	COLLAR		1	27	4021-3101-02	COVER		1
10	4021-3106-01	RATCHET		1					
11	4021-3108-01	SPRING	RP	1					
12	4021-3103-01	GEAR		1					
13	9321-2100-11	SOLENOID MANU FEED (SL2)		1					
14	4021-3004-01	HOLDER		1					
15	4011-0111-01	PWB ASSY SIZE (PWB-I)	RP	1					
16	1164-3020-03	LEVER		1					
17	4686-0902-01	PUSHBUTTON SWITCH PAPER SIZE (S11)		1					
18	4021-3003-01	COVER		1					
INDEX	PART NO.	PART NAME	REC	QTY	SFIX				
28	4021-7304-03	LABEL		1	011, 211, 212, 218, 219				
28	4021-7305-02	LABEL		1	214, 311				
28	4021-7361-01	LABEL		1	313, 314				
29	4658-0122-02	HEATER ASSY		1	311, 313, 314				
29	4658-0123-02	HEATER ASSY		1	211, 212, 214, 218, 219				
29	4658-0124-01	HEATER ASSY		1	011				

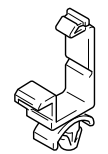
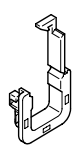
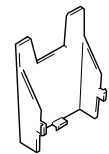
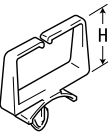
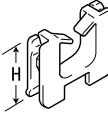
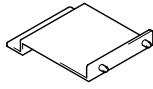
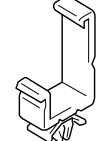
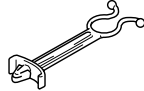
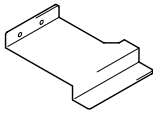


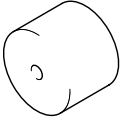
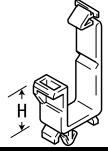

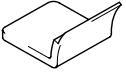


INDEX	PART NO.	PART NAME	REC	QTY	INDEX	PART NO.	PART NAME	REC	QTY
01	1144-3097-01	HOLDER		1	19	1164-3064-01	FRICITION SHEET		1
02	4658-0151-01	ROLLER ASSY	RP	1	20	4021-7311-01	LABEL		1
03	4658-3047-01	COLLAR		1	21	4011-3009-01	REGULATING PLATE		1
04	4021-3033-01	PRESSURE SPRING		1	22	4011-3007-02	LIFTING PLATE		1
05	4021-0751-01	ROLLER ASSY		1	23	4021-7308-02	SCALE		1
06	4021-3012-01	ROLLER	RP	1	24	1164-3049-02	RACK		2
07	4658-3046-01	STOP RING		2	25	1164-3045-01	GEAR		1
08	1164-3003-01	BUSHING		2	26	4011-3005-01	TORSION SPRING		1
09	4021-3019-01	GUIDE		1	27	4163-5293-01	SCREW		1
10	4021-3034-02	BRACKET		2	28	4011-3002-01	LEVER		1
11	1164-3061-01	LEVER		1	29	4021-3036-01	GUIDE		1
12	1164-3062-01	PRESSURE SPRING		1	30	4021-3035-02	GUIDE		1
13	4021-3020-01	GUIDE		1	31	4021-3032-01	GUIDE		1
14	1164-3005-02	PRESSURE SPRING		1	32	4021-7303-01	LABEL		1
15	1164-3004-03	PAWL		1	33	1164-3048-02	REGULATING PLATE		1
16	4011-3010-02	LEVER		1	34	4021-7309-03	SCALE		1
17	4011-3011-01	PRESSURE SPRING		1	35	4686-3350-01	LEVER		1
18	4011-3008-01	REGULATING PLATE		1	36	4658-1001-03	HANDLE		1
INDEX	PART NO.	PART NAME	REC	QTY	SFIX				
37	4011-7313-01	LABEL		1	011, 211, 212, 218, 313, 314				
37	4011-7314-01	LABEL		1	214, 311				
37	4021-7319-01	LABEL		1	219				


















INDEX	PART NO.	PART NAME	REC	QTY	INDEX	PART NO.	PART NAME	REC	QTY
01	4689-2404-02	GEAR		1	19	4689-3407-01	ARM		1
02	9314-1100-21	MOTOR		1	20	4689-0102-02	PWB ASSY		1
03	4686-0901-01	PHOTO INTERRUPTER		4	21	4689-1402-01	COVER		1
04	9384-1900-56	PWB SUPPORT 6.35H		2	22	4689-1401-02	COVER		1
05	4689-0101-02	PWB ASSY		1	23	4689-4405-02	HOLDER		1
06	4689-3408-02	ARM	RP	1	24	4689-4401-01	TRAY		1
07	4163-5293-01	SCREW		5					
08	4689-3409-02	ARM		1					
09	4689-3402-01	ARM		1					
10	4689-3405-01	BUSHING		2					
11	1200-3201-08	BUSHING		1					
12	4689-4403-02	LEVER		1					
13	4689-4404-02	LEVER		1					
14	4689-4402-02	LEVER		1					
15	4689-3201-02	TORSION SPRING		1					
16	4689-3410-02	DETECTING PLATE		1					
17	4689-2402-02	GEAR		1					
18	4689-3406-02	ARM		1					
INDEX	PART NO.	PART NAME	REC	QTY	SFIX				



<p>01</p> 	<p>08, 09</p> 	<p>14</p> 					
<p>02</p> 	<p>10</p> 	<p>15</p> 					
<p>03</p> 	<p>11</p> 	<p>16</p> 					
<p>04</p> 	<p>12</p> 	<p>17</p> 					
<p>05-07</p> 	<p>13</p> 	<p>18</p> 					

INDEX	PART NO.	PART NAME	REC	QTY	INDEX	PART NO.	PART NAME	REC	QTY
01	9384-1000-51	WIRING SADDLE		3					
02	9384-1310-81	WIRING SADDLE 6.4H		8					
03	9384-1311-21	WIRING SADDLE 16.8H		1					
04	9384-1820-31	WIRING SADDLE 8.0H		3					
05	9384-1921-11	WIRING SADDLE 9.2H		3					
06	9384-1921-01	WIRING SADDLE 14.4H		4					
07	9384-1921-21	WIRING SADDLE 15.2H		5					
08	9384-2910-21	EDGE COVER		1					
09	9384-2910-31	EDGE COVER		2					
10	9384-2010-21	EDGE COVER 8.5H		15					
11	9384-1911-11	SO CLIP		1					
12	9384-1311-11	CABLE TIE 104L		1					
13	1031-4403-01	GROMMET		1					
14	1156-7501-01	HOLDER		1					
15	4021-7901-01	JIG	RP	1					
16	4021-7902-01	JIG	RP	1					
17	4021-7903-01	JIG	RP	2					
18	4021-7904-01	JIG	RP	2					
INDEX	PART NO.	PART NAME	REC	QTY	SFIX				



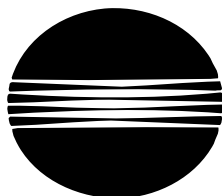
INDEX	PART NO.	PART NAME	ILLUST	INDEX	PART NO.	PART NAME	ILLUST	INDEX	PART NO.	PART NAME	ILLUST			
0222	9754-3022-08	SPRING ROLL PIN		3701	9739-0408-13	TAPPING SCREW								
				3702	9739-0410-13									
				3703	9739-0412-13									
0510	9752-3014-50	PIN		3704	9739-0308-13									
0513	9752-2014-50							3708	9739-0308-07					
0516	9752-2512-50							3709	9739-0310-13					
						3716	9739-0306-07							
1210	9644-0308-13	SCREW		3914	9742-0308-07	TAPPING SCREW								
1226	9644-0406-13							3920	9742-0408-14					
1285	9644-0304-21							3924	9742-0308-14					
1302	9646-0305-13			SCREW		4012	9743-0306-13	TAPPING SCREW						
1304	9646-0306-07					4013	9743-0412-07							
1305	9646-0306-13					4021	9743-0308-14							
1308	9646-0308-13					4601	9747-1740-07							
1309	9646-0310-13									SET SCREW				
1318	9646-0408-13					7101	9684-0303-08							
1398	9646-0314-01													
1623	9654-0408-01	SCREW		9107	9721-0400-01	RETAINING RING								
1627	9654-0408-13							9109	9721-0500-01					
2902	9646-0306-14	SCREW		9112	9721-0600-01									
3202	9657-0306-13	TAPPING SCREW		9301	1066-1151-01	RETAINING RING								
3204	9657-0308-13							9302	4425-3001-01					
3211	9657-0314-07							9303	4425-3002-01					
3305	9732-0308-13	TAPPING SCREW												
3307	9732-0316-13													
3324	9732-0306-01													
3501	9735-0306-13	TAPPING SCREW												
3504	9735-0308-13													
3508	9735-0408-13													
3541	9735-0308-14													
3544	9735-0306-14													

## 21

## NUMERICAL INDEX

PART NO.	FIG.	INDEX	QTY	PART NO.	FIG.	INDEX	QTY	PART NO.	FIG.	INDEX	QTY	PART NO.	FIG.	INDEX	QTY
0993-2045-01	15	15	2	4011-7311-01	02	19	1	4021-2516-01	14	20	1	4021-5314-01	06	03	1
1031-4403-01	19	13	1	4011-7313-01	17	37	1	4021-2517-01	14	09	1	4021-5315-01	06	05	1
1033-4402-01	02	16	1	4011-7314-01	17	37	1	4021-2540-01	14	08	1	4021-5316-02	06	16	1
1129-7303-01	07	08	3	4011-7322-01	02	18	1	4021-2541-01	14	07	1	4021-5611-01	10	23	1
1131-7802-01	15	04	1	4021-0101-06	15	10	1	4021-2542-01	14	06	1	4021-5615-01	10	19	1
1139-1703-02	01	05	3	4021-0151-01	16	24	1	4021-2545-01	14	05	1	4021-5616-01	10	17	1
1139-1704-14	01	03	1	4021-0306-02	08	09	1	4021-2547-02	14	10	1	4021-5618-01	10	18	1
1139-1705-01	01	02	2	4021-0308-07	08	17	1	4021-3003-01	16	18	1	4021-5619-01	10	12	1
1139-1706-01	01	07	1	4021-0315-01	11	12	1	4021-3004-01	16	14	1	4021-5701-02	12	33	1
1139-3131-01	16	23	1	4021-0320-03	12	01	1	4021-3005-01	03	06	1	4021-5702-01	12	36	1
1139-5015-01	06	18	1	4021-0321-03	12	01	1	4021-3011-01	03	05	1	4021-5710-03	12	23	2
1139-5018-04	06	14	3	4021-0322-03	12	01	1	4021-3012-01	17	06	1	4021-5711-01	12	05	2
1139-5022-01	06	04	1	4021-0531-03	03	07	1	4021-3019-01	17	09	1	4021-5712-01	12	20	2
1139-5026-01	06	08	2	4021-0533-01	03	07	1	4021-3020-01	17	13	1	4021-5713-02	12	21	1
1139-5249-01	09	32	1	4021-0751-01	17	05	1	4021-3032-01	17	31	1	4021-5714-03	12	08	1
1139-5250-01	09	30	1	4021-0752-01	09	04	1	4021-3033-01	17	04	1	4021-5715-01	12	09	1
1139-5730-01	06	20	1	4021-1001-03	02	15	1	4021-3034-02	17	10	2	4021-5720-02	12	10	4
1144-3097-01	17	01	1	4021-1002-04	02	12	1	4021-3035-02	17	30	1	4021-5721-01	12	11	4
1149-3117-01	07	13	1	4021-1003-02	02	02	1	4021-3036-01	17	29	1	4021-5722-01	12	06	1
1151-5023-01	06	07	2	4021-1004-04	02	10	1	4021-3101-02	16	27	1	4021-5723-01	12	07	1
1151-5032-01	06	13	1	4021-1005-03	02	07	1	4021-3102-01	16	04	1	4021-5724-01	12	32	1
1151-5033-02	06	12	1	4021-1009-01	02	20	1	4021-3103-01	16	12	1	4021-5725-02	12	31	1
1155-5223-01	15	02	1	4021-1010-01	02	23	1	4021-3105-01	16	09	1	4021-5726-02	12	17	1
1156-4118-02	10	14	1	4021-1011-01	02	01	2	4021-3106-01	16	10	1	4021-5727-01	12	29	2
1156-7501-01	19	14	1	4021-1014-02	02	11	1	4021-3108-01	16	11	1	4021-5728-02	12	22	1
1159-1938-01	13	14	2	4021-1015-04	02	04	1	4021-3109-02	16	25	1	4021-5729-01	12	26	1
1164-3003-01	17	08	2	4021-1017-02	02	03	1	4021-3111-01	16	01	1	4021-5731-01	12	24	1
1164-3004-03	17	15	1	4021-1307-03	02	05	1	4021-3112-01	16	02	1	4021-5732-01	12	27	1
1164-3005-02	17	14	1	4021-1308-01	02	06	1	4021-3502-02	11	01	1	4021-5733-01	12	18	1
1164-3020-03	16	15	1	4021-2009-02	03	01	1	4021-3503-01	16	21	1	4021-5734-01	12	19	1
1164-3027-01	16	19	1	4021-2015-01	07	04	2	4021-3504-01	16	22	1	4021-5735-02	12	35	1
1164-3045-01	17	25	1	4021-2019-02	11	02	1	4021-3505-01	07	30	1	4021-5739-01	12	14	2
1164-3048-02	17	33	1	4021-2023-01	07	09	1	4021-3506-02	07	32	1	4021-5740-02	12	15	1
1164-3049-02	17	24	2	4021-2026-01	07	01	1	4021-3507-01	07	31	1	4021-5741-01	12	34	1
1164-3061-01	17	11	1	4021-2101-01	07	15	3	4021-3513-01	07	14	2	4021-5742-01	12	03	2
1164-3062-01	17	12	1	4021-2103-02	07	05	1	4021-3514-01	07	21	1	4021-5745-01	12	25	1
1164-3064-01	17	19	1	4021-2104-04	07	20	1	4021-3522-01	11	03	2	4021-5746-01	12	37	1
1164-3509-01	07	29	1	4021-2106-01	07	03	1	4021-3523-01	08	10	1	4021-5747-01	12	16	1
1164-3509-01	07	11	4	4021-2107-07	07	16	1	4021-4101-02	08	10	1	4021-5801-03	13	15	1
1164-3515-01	07	28	1	4021-2108-01	07	19	1	4021-4102-02	08	08	1	4021-5802-01	13	18	4
1164-4206-02	11	09	2	4021-2109-01	07	18	1	4021-4103-02	08	03	1	4021-5803-02	13	17	4
1164-4207-01	11	08	2	4021-2110-01	07	22	1	4021-4107-01	08	11	1	4021-5805-01	13	06	1
1164-5765-01	12	04	2	4021-2111-02	07	17	1	4021-4211-01	11	13	1	4021-5806-01	13	08	1
1165-4307-01	08	16	1	4021-2208-03	07	24	1	4021-4354-02	08	01	1	4021-5808-01	13	12	1
1165-4310-01	08	14	1	4021-2208-03	15	17	1	4021-4355-02	08	02	1	4021-5809-02	13	20	1
1165-5326-02	06	06	1	4021-2210-01	03	04	1	4021-4356-03	08	04	1	4021-5810-03	13	11	1
1171-6201-01	15	01	1	4021-2301-02	07	27	1	4021-4357-02	07	06	1	4021-5811-02	13	22	4
1174-5010-01	06	11	1	4021-2305-01	11	04	1	4021-4358-01	08	05	1	4021-5812-02	13	21	4
1200-3201-08	18	11	1	4021-2307-01	11	17	1	4021-4362-01	08	13	1	4021-5813-01	13	05	1
1274-2611-01	16	03	2	4021-2308-01	07	26	1	4021-4369-01	07	07	1	4021-5814-01	13	16	1
4002-1603-01	01	01	1	4021-2311-01	11	18	1	4021-5203-03	09	22	1	4021-5815-01	13	07	1
4002-5042-01	07	10	4	4021-2312-01	11	15	1	4021-5204-02	09	01	1	4021-5819-01	13	13	1
4002-5042-01	09	38	1	4021-2313-02	11	16	1	4021-5205-01	10	21	1	4021-5821-01	13	01	1
4002-7305-01	02	17	1	4021-2315-01	11	14	1	4021-5207-01	09	35	1	4021-5822-01	13	23	1
4004-7402-01	02	09	1	4021-2316-01	07	25	2	4021-5211-01	09	17	1	4021-5823-01	13	09	1
4011-0110-01	12	28	1	4021-2501-01	14	21	1	4021-5212-02	09	16	1	4021-5825-01	13	19	1
4011-0111-01	16	15	1	4021-2502-01	14	25	1	4021-5213-01	09	15	1	4021-5826-01	13	04	2
4011-0112-01	11	10	1	4021-2503-01	14	22	1	4021-5214-01	09	19	1	4021-5827-01	13	10	1
4011-2504-01	14	03	1	4021-2504-01	14	24	1	4021-5219-01	09	37	1	4021-6051-03	15	07	1
4011-3002-01	17	28	1	4021-2505-01	14	15	1	4021-5221-01	09	24	1	4021-6052-04	01	10	1
4011-3005-01	17	26	1	4021-2506-01	14	13	1	4021-5222-01	09	02	1	4021-6053-04	01	10	1
4011-3007-02	17	22	1	4021-2507-01	14	12	1	4021-5225-01	09	35	2	4021-6201-02	15	03	1
4011-3008-01	17	18	1	4021-2508-01	14	11	1	4021-5226-01	09	05	1	4021-6202-02	15	03	1
4011-3009-01	17	21	1	4021-2509-01	14	23	1	4021-5227-01	09	18	1	4021-6203-01	15	05	1
4011-3010-02	17	16	1	4021-2510-01	14	14	1	4021-5229-01	09	21	2	4021-6505-01	08	15	1
4011-3011-01	17	17	1	4021-2511-01	14	16	1	4021-5231-01	09	09	1	4021-6611-01	15	09	1
4011-3205-01	16	05	1	4021-2512-01	14	17	1	4021-5232-01	09	10	1	4021-6801-01	15	12	1
4011-3515-01	11	05	2	4021-2513-01	14	02	2	4021-5303-01	06	09	1	4021-7301-01	02	14	1
4011-7308-01	02	22	1	4021-2514-01	14	18	1	4021-5305-01	06	15	1	4021-7302-01	11	01	1
4011-7309-01	02	22	1	4021-2515-01	14	19	1	4021-5310-01	06	10	1	4021-7303-01	17	32	1





MINOLTA

Printed in Germany

Copyright

2001 MINOLTA CO., LTD.

Use of this catalog should be strictly supervised to avoid disclosure  
of confidential information.

MINOLTA ME GmbH

4022-7995-21