

Stella - C2
(B129/B130/B168/B169)
PARTS CATALOG

First edition, January 2004

Ricoh Company, LTD.

Stella - C2 (B129/B130/B168/B169)

PARTS CATALOG

This catalog gives the numbers and names of parts on this machine.

Stella – C2b

(B129/B130/B168/B169)

Stella - C2
(B129/B130/B168/B169)

Stella - C2 (B129/B130/B168/B169)

PARTS CATALOG

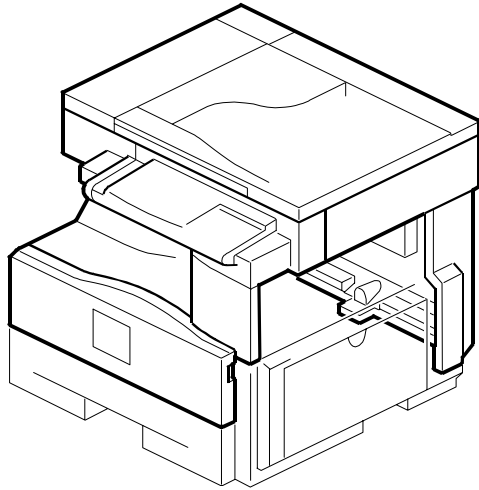
This catalog gives the numbers and names of parts on this machine.

LOCATION OF UNIT	2	18.FRAME SECTION (B129/B130/B168/B169)	40
1.EXTERIOR (B129/B130/B168/B169)	6	19.FAX OP (B130/B168)	42
2.OPERATION PANEL (B129/B130/B168/B169)	8	20.EXTENTION BOX (B130/B168/B169).....	44
3.BY-PASS FEED UNIT (B129/B130/B168/B169).....	10	21.BICU BOARD (B129).....	46
4.PAPER REGISTRATION (B129/B130/B168/B169)	12	22.BICU BOARD (B130/B168/B169).....	58
5.TRANSPORT SECTION (B129/B130/B168/B169)	14	23.FCU BOARD (NA B130/B168)	70
6.PAPER CASSETTE (B129/B130/B168/B169)	16	24.FCU BOARD (EU B130/B168)	76
7.ADF 1 (B129/B130/B168).....	18	25.DECALS AND DOCUMENTS (B129/B130/B168/B169) 82	
8.ADF 2 (B129/B130/B168).....	20	26.SPECIAL TOOLS (B129/B130/B168/B169)	84
9.ADF 3 (B129/B130/B168).....	22	PARTS INDEX.....	87
10.ADF 4 (B129/B130/B168).....	24		
11.OPTICS SECTION 1 (B129/B130/B168/B169).....	26		
12.OPTICS SECTION 2 (B129/B130/B168/B169).....	28		
13.LASER UNIT (B129/B130/B168/B169)	30		
14.PCU SECTION (B129/B130/B168/B169).....	32		
15.FUSING UNIT (B129/B130/B168/B169)	34		
16.DRIVE SECTION (B129/B130/B168/B169)	36		
17.ELECTRICAL SECTION (B129/B130/B168/B169)	38		

January ,30 ' 2004

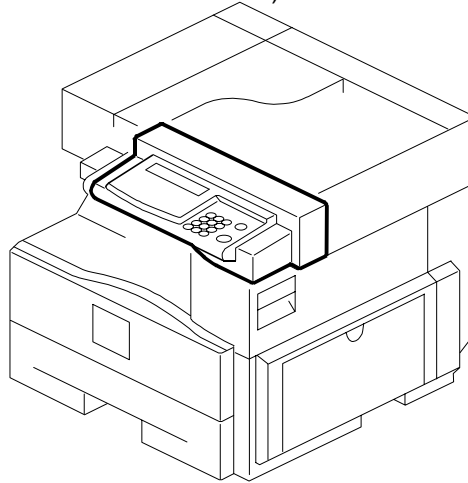
LOCATIONS OF UNITS

1. EXTERIOR (B129/B130/B168/B169)



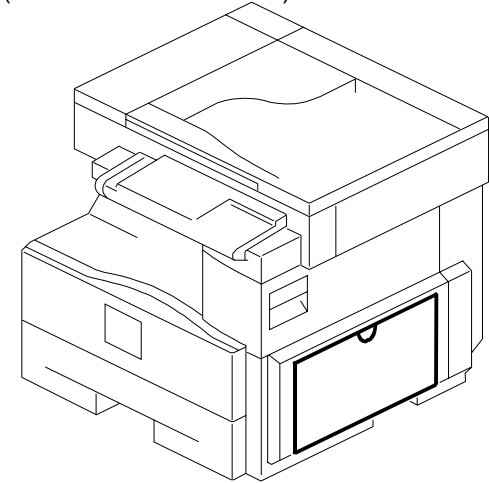
See Page 7

2. OPERATION PANEL (B129/B130/B168/B169)



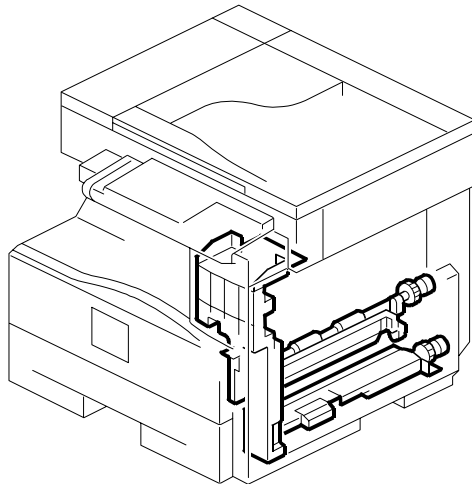
See Page 9

3. BY-PASS FEED UNIT (B129/B130/B168/B169)



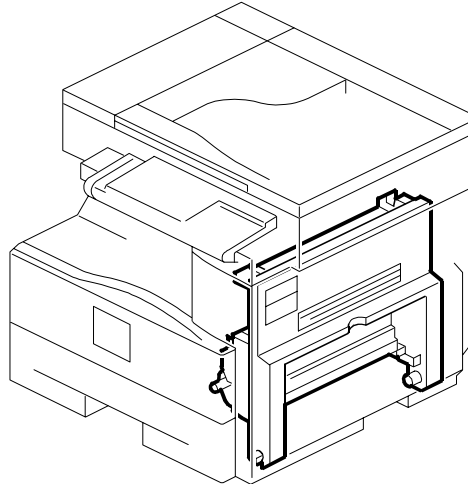
See Page 11

4. PAPER REGISTRATION (B129/B130/B168/B169)



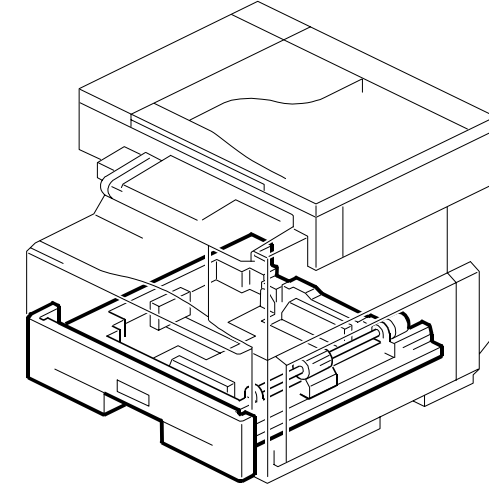
See Page 13

5. TRANSPORT SECTION (B129/B130/B168/B169)



See Page 15

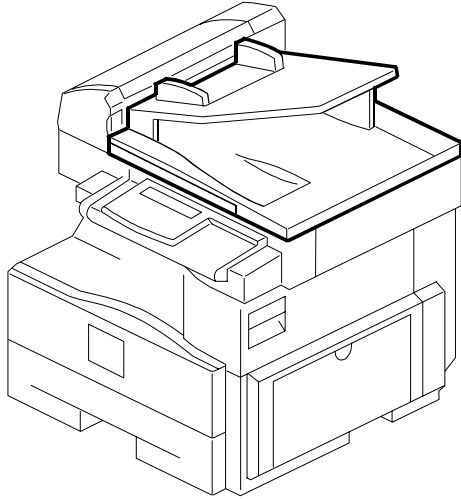
6. PAPER CASSETTE (B129/B130/B168/B169)



See Page 17

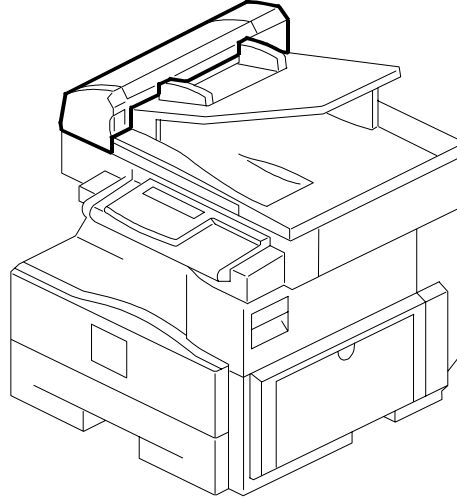
LOCATIONS OF UNITS

7. ADF 1 (B129/B130/B168)



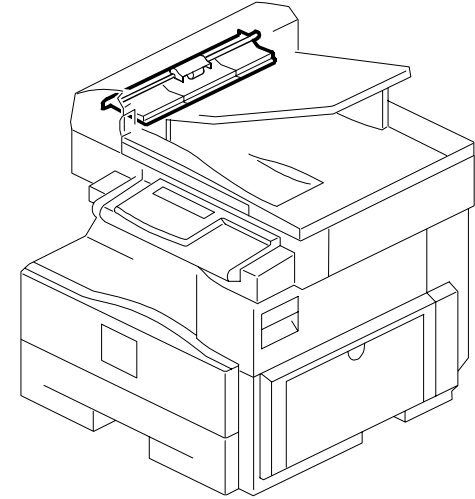
See Page 19

8. ADF 2 (B129/B130/B168)



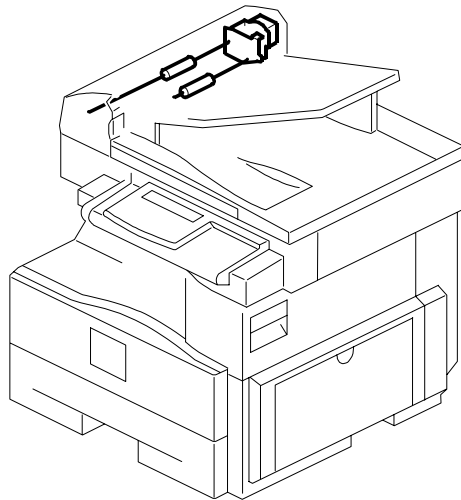
See Page 21

9. ADF 3 (B129/B130/B168)



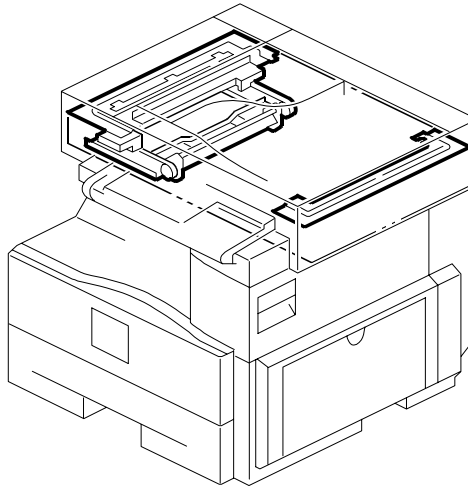
See Page 23

10. ADF 4 (B129/B130/B168)



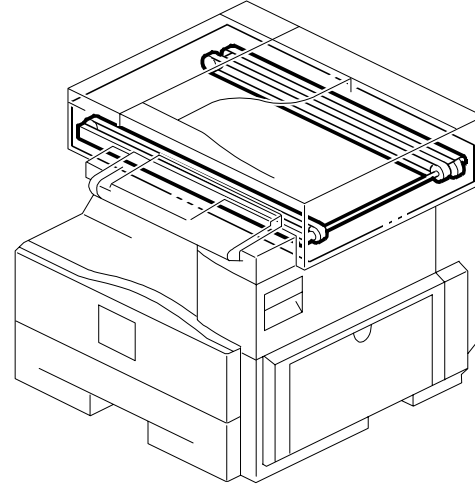
See Page 25

11. OPTICS SECTION 1
(B129/B130/B168/B169)



See Page 27

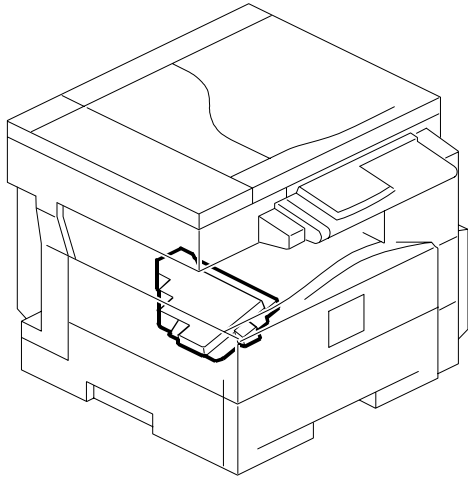
12. OPTICS SECTION 2
(B129/B130/B168/B169)



See Page 29

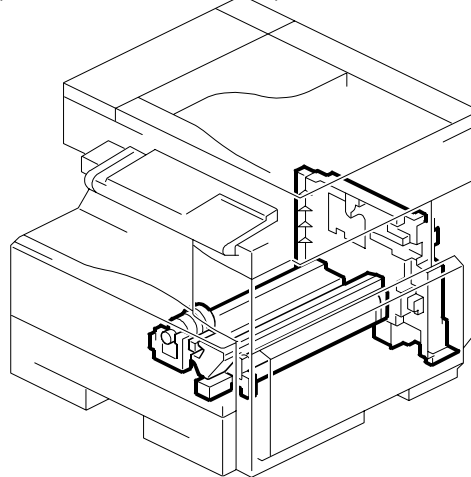
LOCATIONS OF UNITS

13. LASER UNIT (B129/B130/B168/B169)



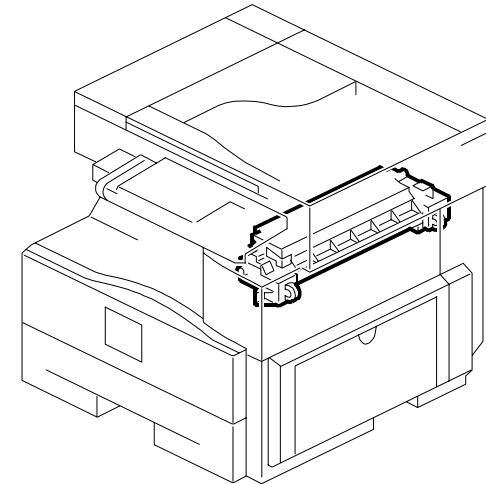
See Page 31

14. PCU SECTION
(B129/B130/B168/B169)



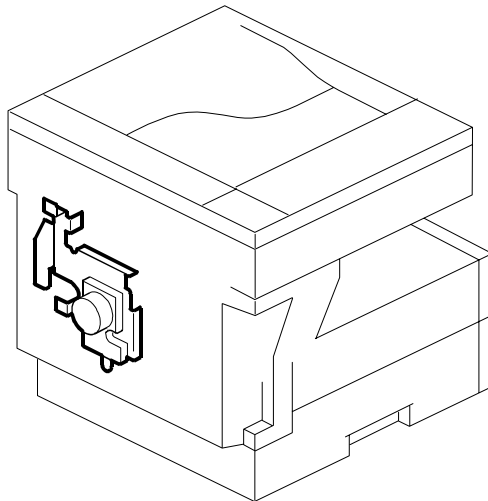
See Page 33

15. FUSING UNIT (B129/B130/B168/B169)



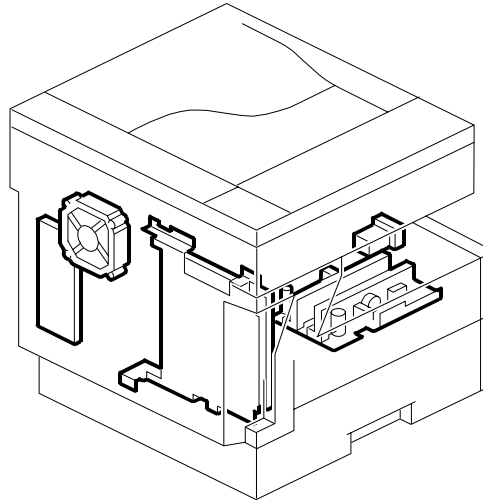
See Page 35

16. DRIVE SECTION
(B129/B130/B168/B169)



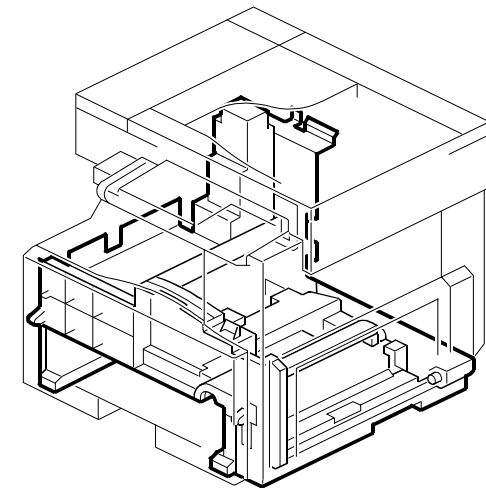
See Page 37

17. ELECTRICAL SECTION
(B129/B130/B168/B169)



See Page 39

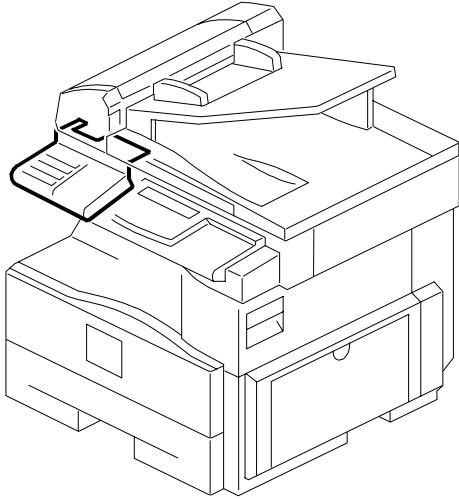
18. FRAME SECTION
(B129/B130/B168/B169)



See Page 41

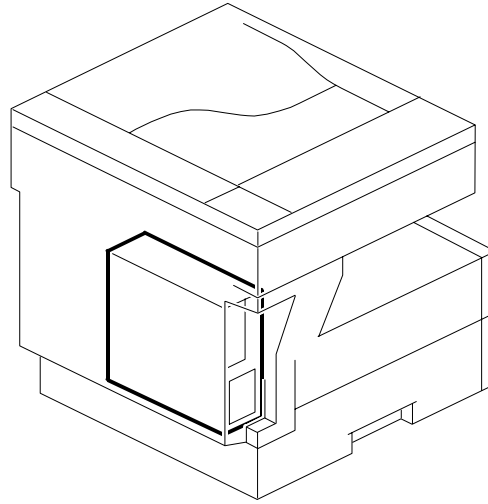
LOCATIONS OF UNITS

19. FAX OP (B130/B168)



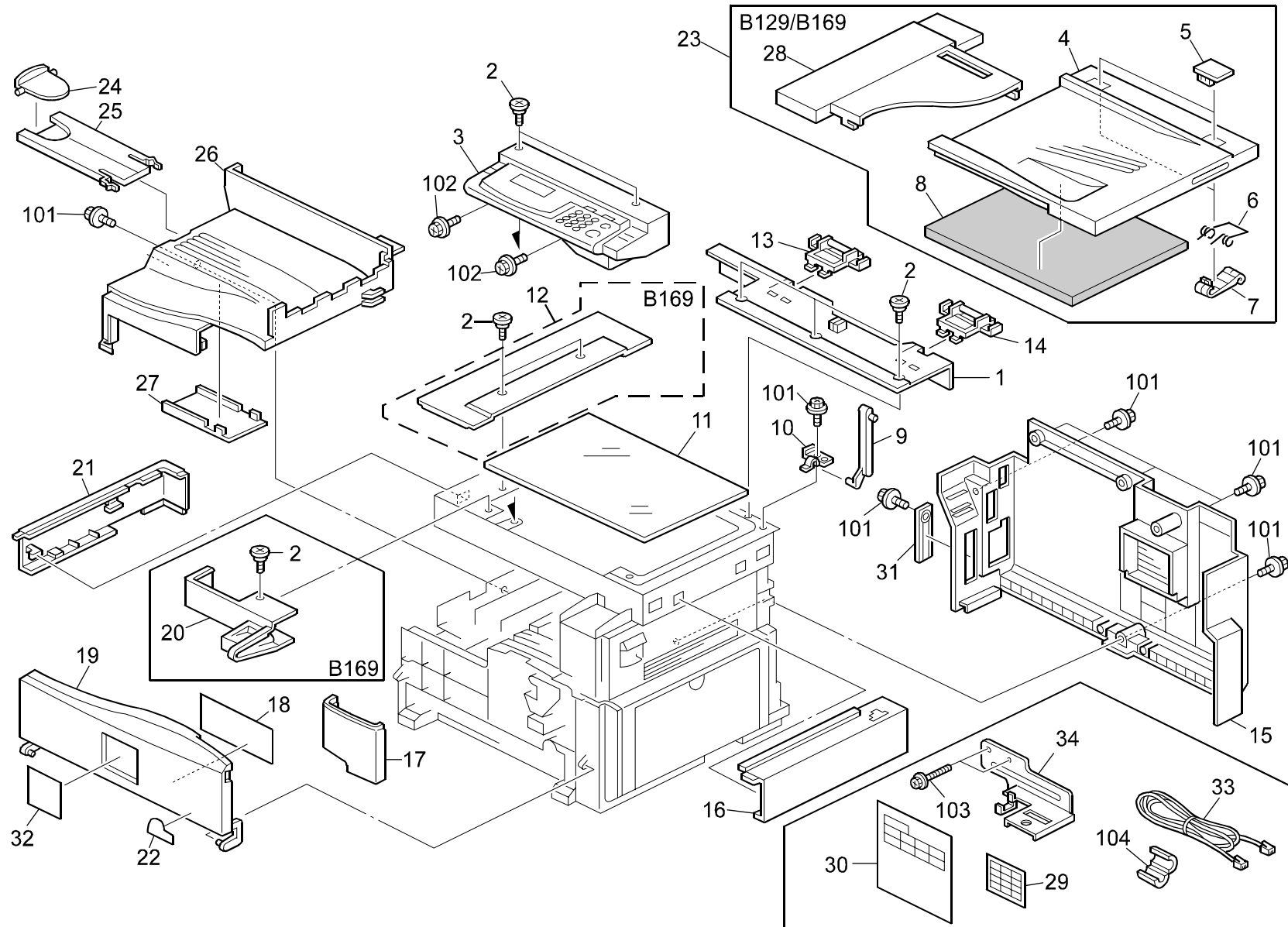
See Page 43

20. EXTENTION BOX (B130/B168/B169)



See Page 45

1.EXTERIOR (B129/B130/B168/B169)



1.EXTERIOR (B129/B130/B168/B169)

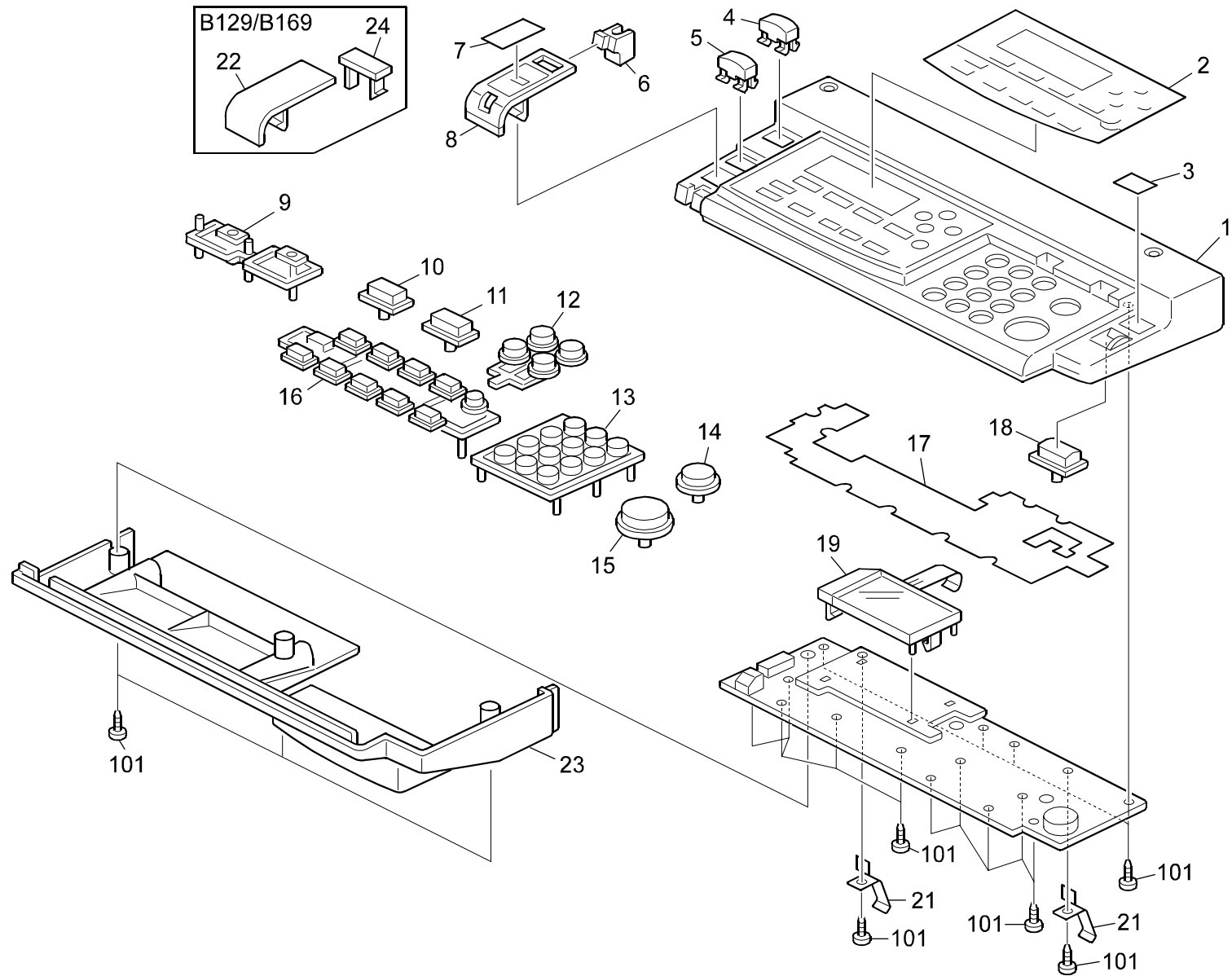
Index No.	Part No.	Description	Q'ty Per Assembly
1	B129 1847	Inner Back Scale EU	1
1	B129 1848	Inner Back Scale NA	1
2	B044 1843	Shoulder Screw	7
3	B129 1411	Operation Panel NA Ass'y (B129)	1
3	B129 1412	Operation Panel EU (B129)	1
3	B130 1411	Operation Panel CPSF NA (B130/B169)	1
3	B130 1412	Operation Panel CPSF EU (B130/B169)	1
3	B130 1413	Operation Panel CPSF AA (B130/B169)	1
3	B168 1413	Operation Panel NA Ass'y (B168)	1
3	B168 1414	Operation Panel EU Ass'y (B168)	1
3	B168 1415	Operation Panel ASIA Ass'y (B168)	1
4	B044 1394	Platen Cover (NA)	1
4	B044 1393	Platen Cover (EU)	1
5	B044 1384	Hinge Cover	2
6	B044 1383	Platen Cover Spring	2
7	B044 1381	Platen Cover Hinge	2
8	B044 1385	Platen Cover Sheet	1
9	B044 1388	Platen Cover Stopper	1
10	B044 1389	Stopper Bracket - Platen Cover	1
11	AC01 2069	Exposure Glass	1
12	B044 1802	Left Scale Ass'y - EU (B169)	1
13	B044 1390	Platen Cover Shaft	1
14	B044 1392	Platen Cover Shaft	1
15	B129 1250	Rear Cover EU	1
15	B129 1260	Rear Cover NA	1
16	B129 1266	Right Upper Cover - NA	1
16	B129 1256	Right Upper Cover - EU	1
17	B044 1279	Front Right Coveer (NA)	1
17	B044 1278	Right Upper Cover (EU)	1
18	B044 1290	Sheet - Operation Instructions	1
19	B044 1280	Front Door	1
20	B044 1415	Front Left Cover	1
21	B129 1251	Left Scanner Cover EU	1
21	B129 1261	Left Scanner Cover NA	1
22	GA00 3035	Energy Decal	1

Index No.	Part No.	Description	Q'ty Per Assembly
23	B044 1241	Platen Cover Ass'y - EU (B169)	1
24	B044 1254	End Fence	1
25	B044 1284	Extension Tray - EU	1
25	B044 1285	Extension Tray - NA	1
26	B129 1262	Exit Cover NA	1
26	B129 1252	Exit Cover EU	1
27	B044 1258	Shielding Plate	1
28	B044 1395	Original Holder - EU	1
29	B130 7400	Function Decal - Fax	1
30	H555 2790	Decal - Paper Size	1
31	B129 1253	IC Card Cover	1
32	B129 7508	Model Name Plate (B129 RIC TWN)	1
32	B129 7509	Model Name Plate - NSA DSM415	1
32	B129 7512	Model Name Plate - RIC AF1515	1
32	B129 7514	Model Name Plate - REX DSM415	1
32	B129 7516	Model Name Plate - LAN LD015	1
32	B129 7518	Model Name Plate - INF IS2215	1
32	B129 7519	Model Name Plate - GES DSM415	1
32	B130 7508	Model Name Plate (B130 RIC TWN)	1
32	B130 7509	Model Name Plate - NSA DSM415pF	1
32	B130 7512	Model Name Plate - RIC AF1515MF	1
32	B130 7514	Model Name Plate - Rex DSM415pF	1
32	B130 7516	Model Name Plate - LAN LD015SpF	1
32	B130 7518	Model Name Plate - INF IS2215FPS	1
32	B130 7519	Model Name Plate - GES DSM415pF	1
32	B168 7508	Model Name Plate (B168 GES)	1
32	B168 7509	Model Name Plate - NSA DSM415F	1
32	B168 7512	Model Name Plate - RIC AF1515F	1
32	B168 7514	Model Name Plate (B168 REX)	1
32	B168 7516	Model Name Plate - LAN LD015F	1
32	B168 7518	Model Name Plate - INF IS2215F	1
32	B168 7519	Model Name Plate - GES DSM415F	1
32	B169 7509	Model Name Plate - NSA DSM415P	1
32	B169 7512	Model Name Plate - RIC AF1515PS	1
32	B169 7514	Model Name Plate - REX DSM415P	1

Index No.	Part No.	Description	Q'ty Per Assembly
32	B169 7516	Model Name Plate - LAN LD015SP	1
32	B169 7518	Model Name Plate - INF IS2215PS	1
32	B169 7519	Model Name Plate - GES DSM415P	1
33	H523 5350	Telephone Cable	1
34	B404 5821	Handset Bracket	1

Index No.	Part No.	Description	Q'ty Per Assembly
101	0451 3008H	Tapping Screw - M3x8	
102	0451 3006H	Tapping Screw - 3x6	
103	0450 3010H	Tapping Screw - 3x10	
104	1607 1461	Ferrite Core	

2. OPERATION PANEL (B129/B130/B168/B169)

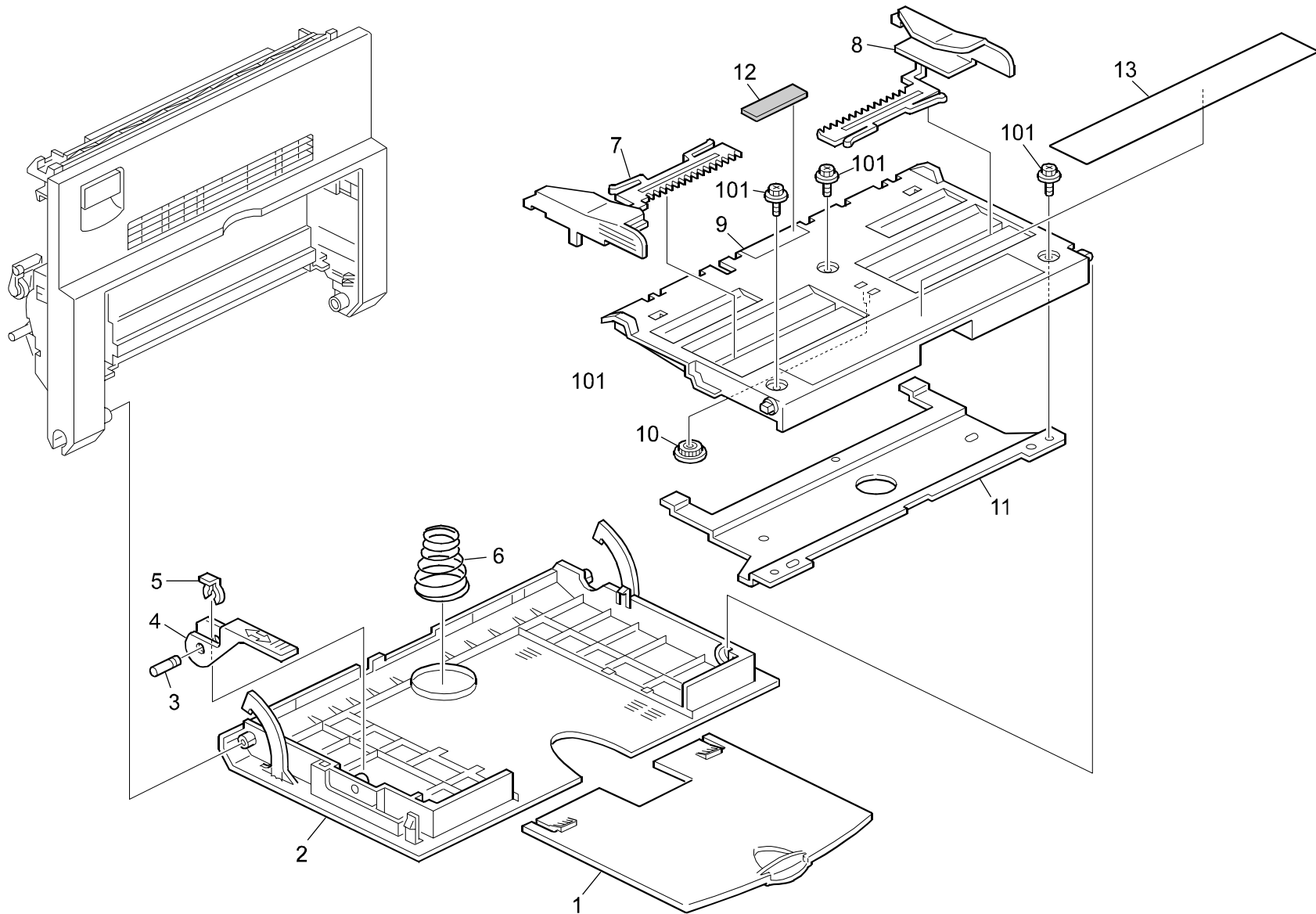


2.OPERATION PANEL (B129/B130/B168/B169)

Index No.	Part No.	Description	Q'ty Per Assembly
*	B129 1411	Operation Panel NA Ass'y (B129)	1
*	B129 1412	Operation Panel EU (B129)	1
*	B130 1411	Operation Panel CPSF NA (B130/B169)	1
*	B130 1412	Operation Panel CPSF EU (B130/B169)	1
*	B130 1413	Operation Panel CPSF AA (B130/B169)	1
*	B168 1413	Operation Panel NA Ass'y (B168)	1
*	B168 1414	Operation Panel EU Ass'y (B168)	1
*	B168 1415	Operation Panel ASIA Ass'y (B168)	1
1	B129 1451	OP Case	1
2	B129 1476	Panel Sheet - NA/ASIA	1
2	B129 1492	Panel Sheet - EU	1
3	B129 1475	Sheet - Power Source - NA/ASIA	1
3	B129 1491	Sheet - Power Source - EU	1
4	B129 1465	Keypop - Copy Option NA	1
4	B129 1487	Keypop - Copy Option EU	1
5	B129 1466	Keypop - Printer Option NA	1
5	B129 1488	Keypop - Printer Option EU	1
6	B129 1472	Data In Lens	1
7	B129 1493	On-line Display Sheet EU	1
8	B129 1455	On-line Cover	1
9	B129 1471	Spacer - Keypop Option	1
10	B129 1462	Keypop - Counter	1
11	B129 1461	Keypop - Clear Modes	1
12	B129 1463	Keypop - Cursor	1
13	B129 1460	Keypop - 10key NA	1
13	B129 1486	Keypop - 10key EU	1
13	B129 1502	Keypop - 10key Asia	1
14	B129 1458	Keypop - Clear/Stop	1
15	B039 1453	Keypop - Start	1
16	B129 1464	Keypop - LCD Lower Coupling	1
17	B129 1483	OP Sheet - Right	1
18	B129 1459	Keypop - Main SW	1
19	B129 1495	LCD	1
20	B129 5150	PCB OPU Basic Ass'y	1
21	B129 1474	Spring Plate - STL	1

Index No.	Part No.	Description	Q'ty Per Assembly
22	B129 1485	Blind On-line Cover	1
23	B129 1452	Lower Cover	1
24	B129 1484	Blind Keypop Cover	1
101	0452 3010H	Tapping Screw - M3x10	

3.BY-PASS FEED UNIT (B129/B130/B168/B169)

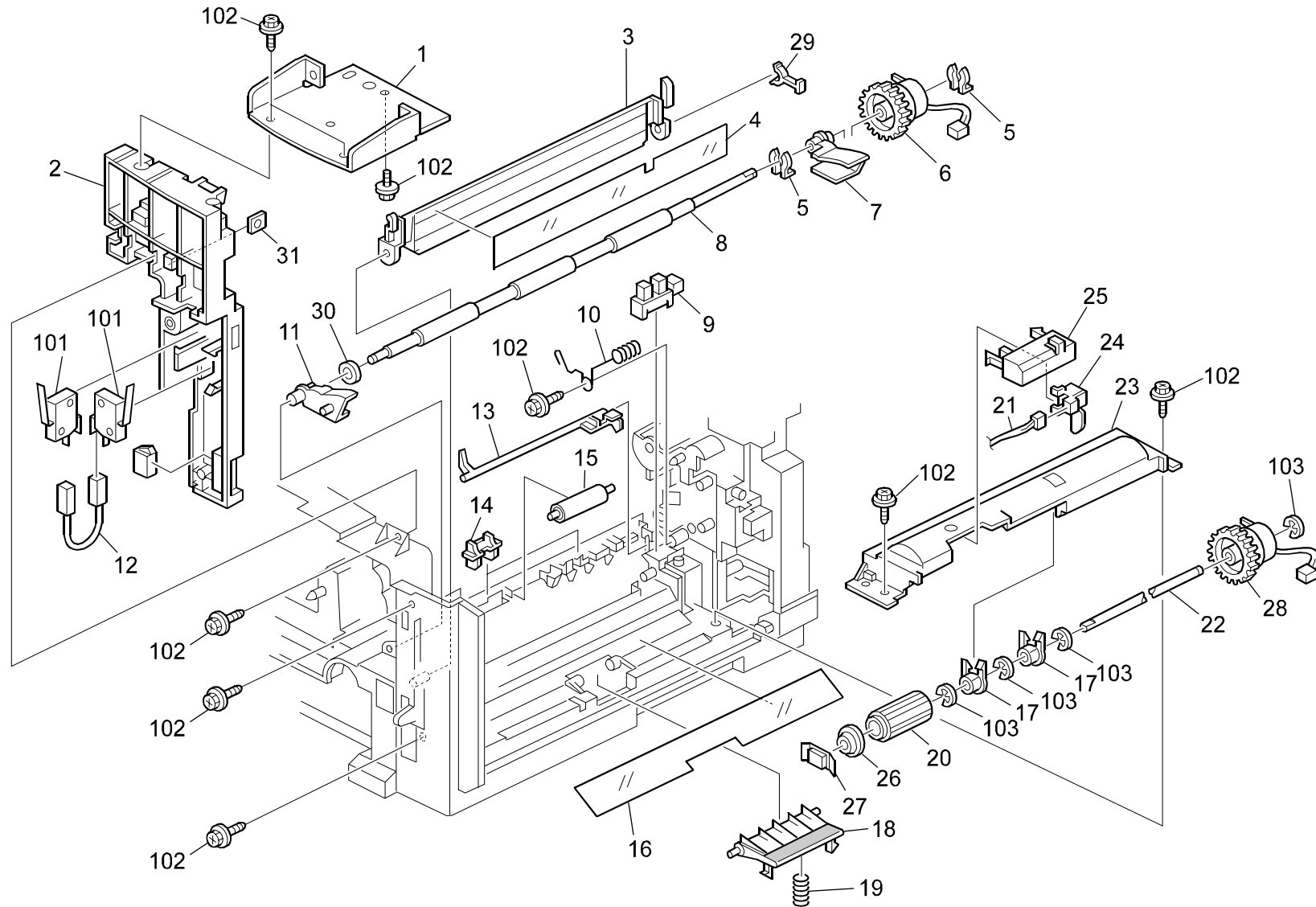


3.BY-PASS FEED UNIT (B129/B130/B168/B169)

Index No.	Part No.	Description	Q'ty Per Assembly
1	B044 2808	Paper Guide	1
2	B044 2801	By-pass Feed Table	1
3	B044 2809	Spring - Manual Feed Table	1
3	G020 2786	Shaft - Manual Release Lever	1
4	B044 2806	Lever - Manual Feed Table	1
5	5447 2681	Snap Ring	1
7	B044 2804	Front Side Fence	1
8	B044 2805	Rear Side Fence	1
9	B044 2803	Tray Bottom Plate	1
10	G800 3133	Side Fence Gear	1
11	B044 2807	Stay - Tray Bottom Plate	1
12	5215 2713	Bottom Plate Pad	1
13	AA00 3011	Manual Feed Decal	1

Index No.	Part No.	Description	Q'ty Per Assembly
101	0451 3006B	Tapping Screw - M3x6	

4.PAPER REGISTRATION (B129/B130/B168/B169)

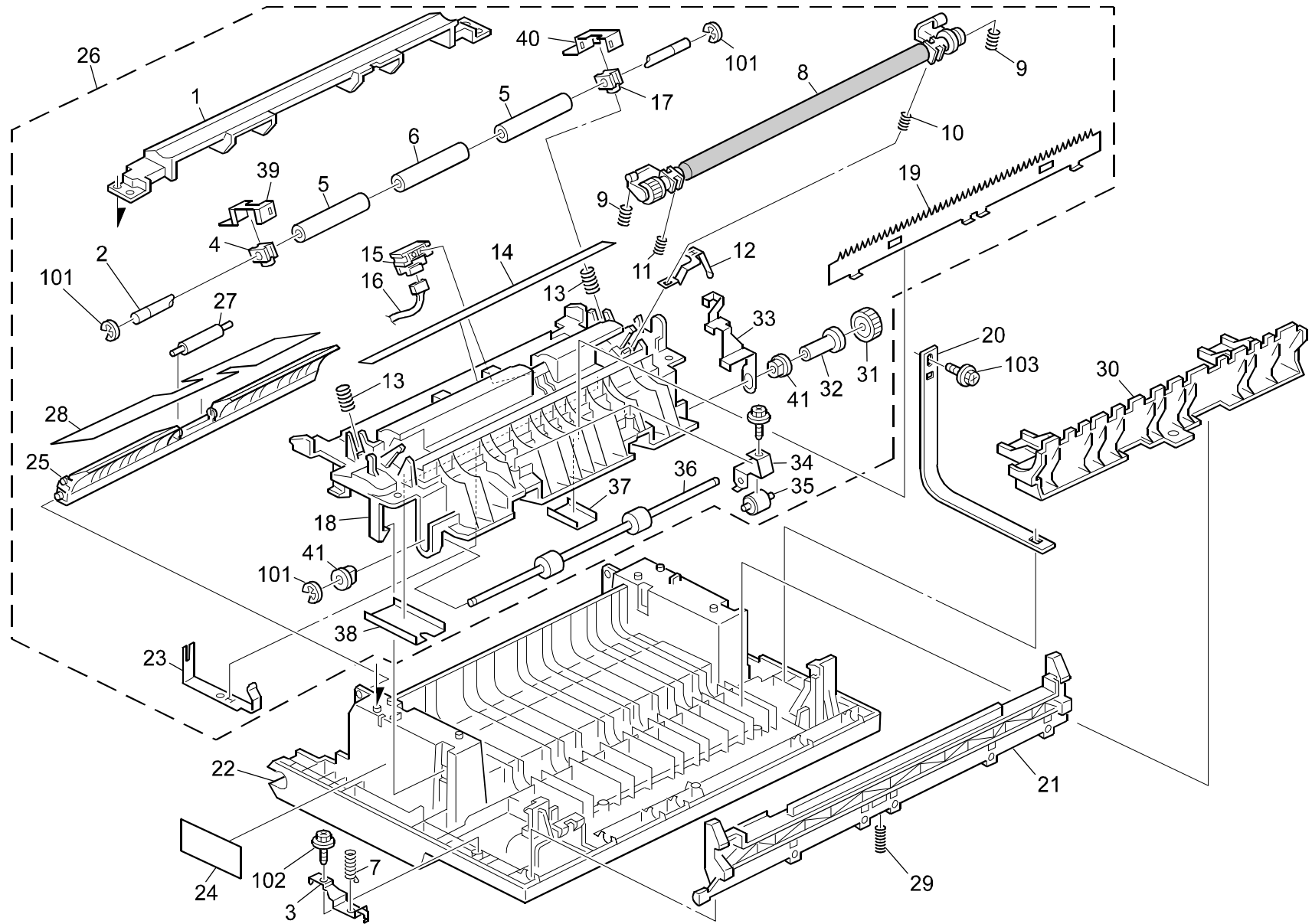


4.PAPER REGISTRATION (B129/B130/B168/B169)

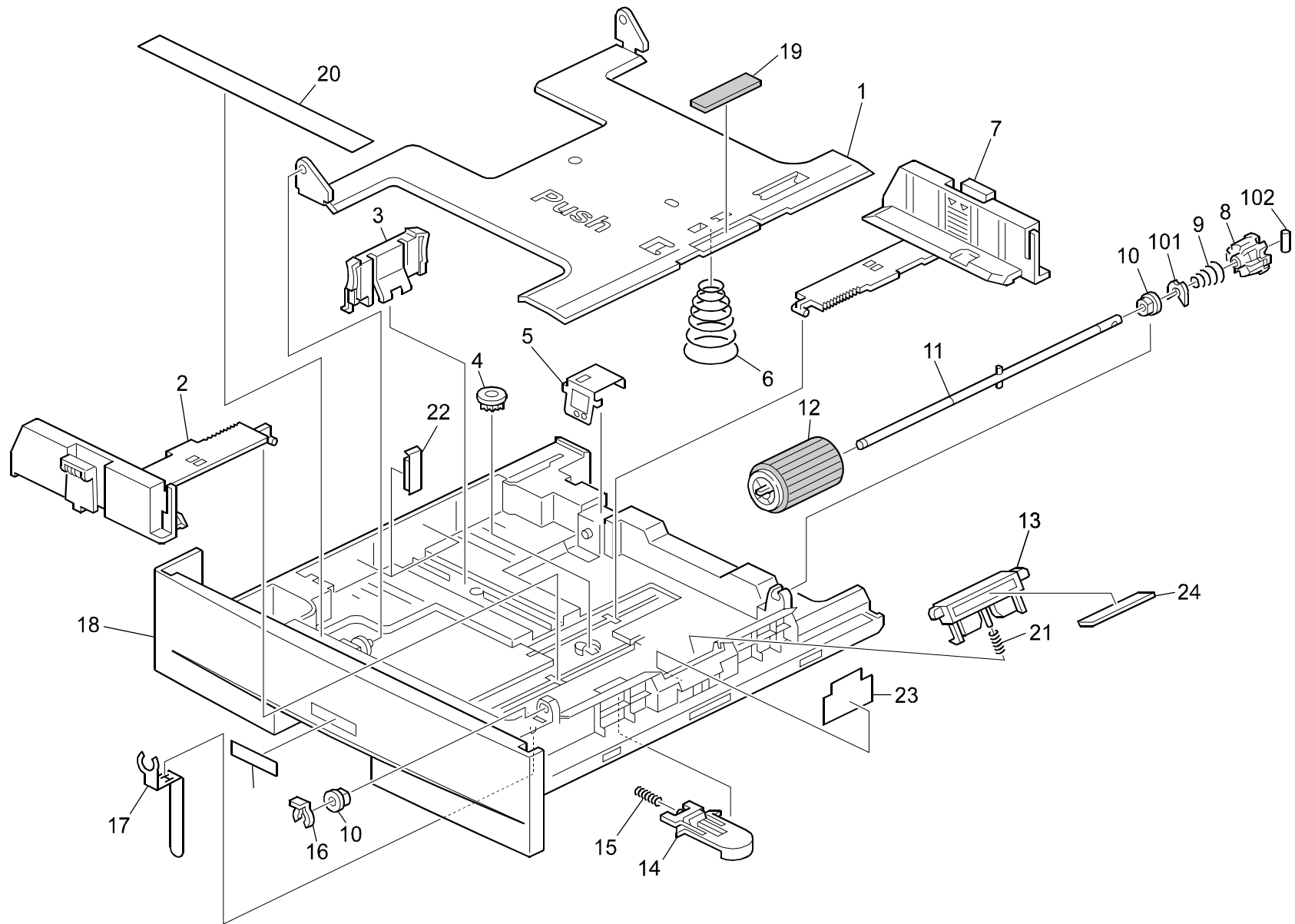
Index No.	Part No.	Description	Q'ty Per Assembly
1	B044 1064	Scanner Bracket - Front Right	1
2	B044 1063	Scanner Stud	1
3	B044 2653	Guide Plate - Paper Feed	1
4	B044 2654	Paper Feedguide	1
5	H521 3355	C Ring - Paper Feed Roller	1
6	AX20 0267	Registration Clutch	1
7	B044 2605	Rear Bushing	1
8	AF02 0550	Registration Roller	1
9	AW02 0119	Photointerruptor - LG-24811	1
10	B044 1102	Registration Electrode Plate	1
11	B044 2604	Front Bushing	1
12	B129 5211	Harness - Front Right Switch	1
13	B044 2603	Registration Feeler	1
14	B044 2616	Support Bushing	2
15	B044 2602	Turn Roller	1
16	B044 2814	Exit Guide	1
17	AA08 0322	Bushing - 6mm	1
18	B044 2815	Friction Pad - Manual Feed	1
19	B044 2817	Fricion Pad Spring	1
20	AF03 1060	By-pass Feed Roller	1
21	H555 5105	Harness - Paper End Sensor	1
22	B044 2813	Manual Feed Shaft	1
23	B044 2811	Guide Plate - Manual Feed	1
24	G020 2772	By-pass Paper End Sensor	1
25	B044 2812	Manual Feed Bracket	1
26	B044 2825	Spacer-manual Feed Roller	1
27	B044 2824	Cushion-manual Feed Roller	1
28	AX20 0269	Manual Feed Clutch	1
29	B044 2656	Guide Plate Stopper	1
30	B044 2622	Spacer - Registration	1
31	B044 4200	Fusing Plate Nut	1

Index No.	Part No.	Description	Q'ty Per Assembly
101	1204 2521	Micro Switch	
102	0450 3006B	Tapping Screw - M3x6	
103	0720 0040E	Retaining Ring - M4	
104	1105 0197	Wire Saddle	

5.TRANSPORT SECTION (B129/B130/B168/B169)



6.PAPER CASSETTE (B129/B130/B168/B169)

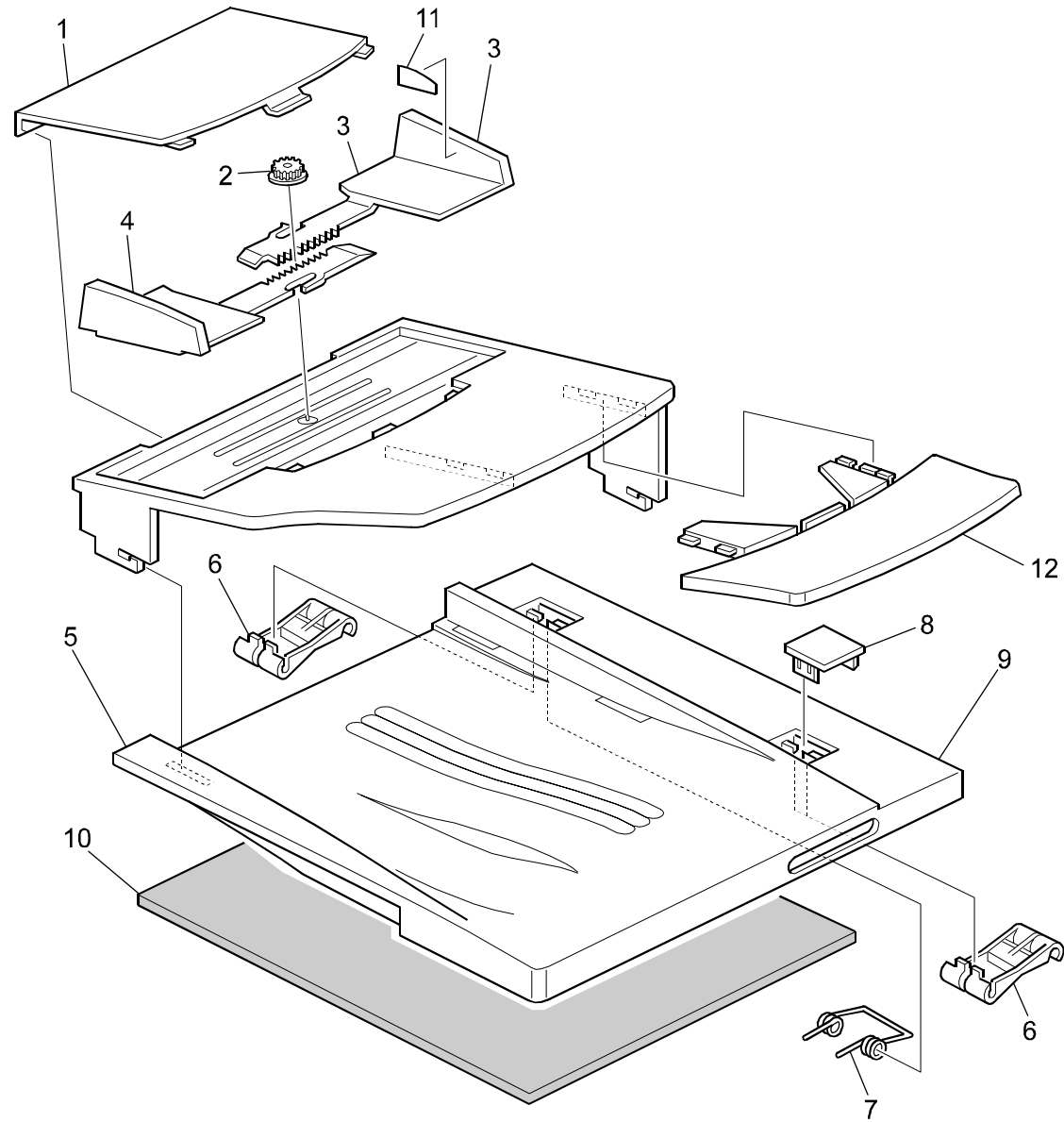


6.PAPER CASSETTE (B129/B130/B168/B169)

Index No.	Part No.	Description	Q'ty Per Assembly
*	B044 2503	Paper Tray Unit	1
1	B044 2704	Tray Bottom Plate	1
2	B044 2702	Front Side Fence	1
3	B044 2706	End Fence	1
4	G800 3133	Side Fence Gear	1
5	B044 2709	Ground Plate	1
6	B044 2716	Pressure Spring	1
7	B044 2703	Rear Side Fence	1
8	B044 2751	Joint - Paper Feed Roller	1
9	B044 2756	Spring - Paper Feed Roller	1
10	AA08 2101	Bushing - 6x10x6	2
11	B044 2755	Shaft - Paper Feed Roller	1
12	AF03 1061	Paper Feed Roller	1
13	B044 2710	Friction Pad	1
14	B044 2713	Stopper	1
15	G020 2599	Spring - Release Lever	1
16	H521 3355	C Ring - Paper Feed Roller	1
17	B044 2711	Ground Plate	1
18	B044 2701	Paper Tray	1
19	5215 2713	Bottom Plate Pad	1
20	B044 2720	Decal - Cassette Operation	1
21	B044 2717	Pressure Spring	1
22	B044 2715	Sponge - End Fence	1
23	B044 2721	Paper Tray Sheet	1
24	B044 2714	Rubber Plate - Friction Pad	1

Index No.	Part No.	Description	Q'ty Per Assembly
101	0805 0089	Retaining Ring - M4	
102	0622 0120E	Spring Pin - 2x12mm	

7.ADF 1 (B129/B130/B168)

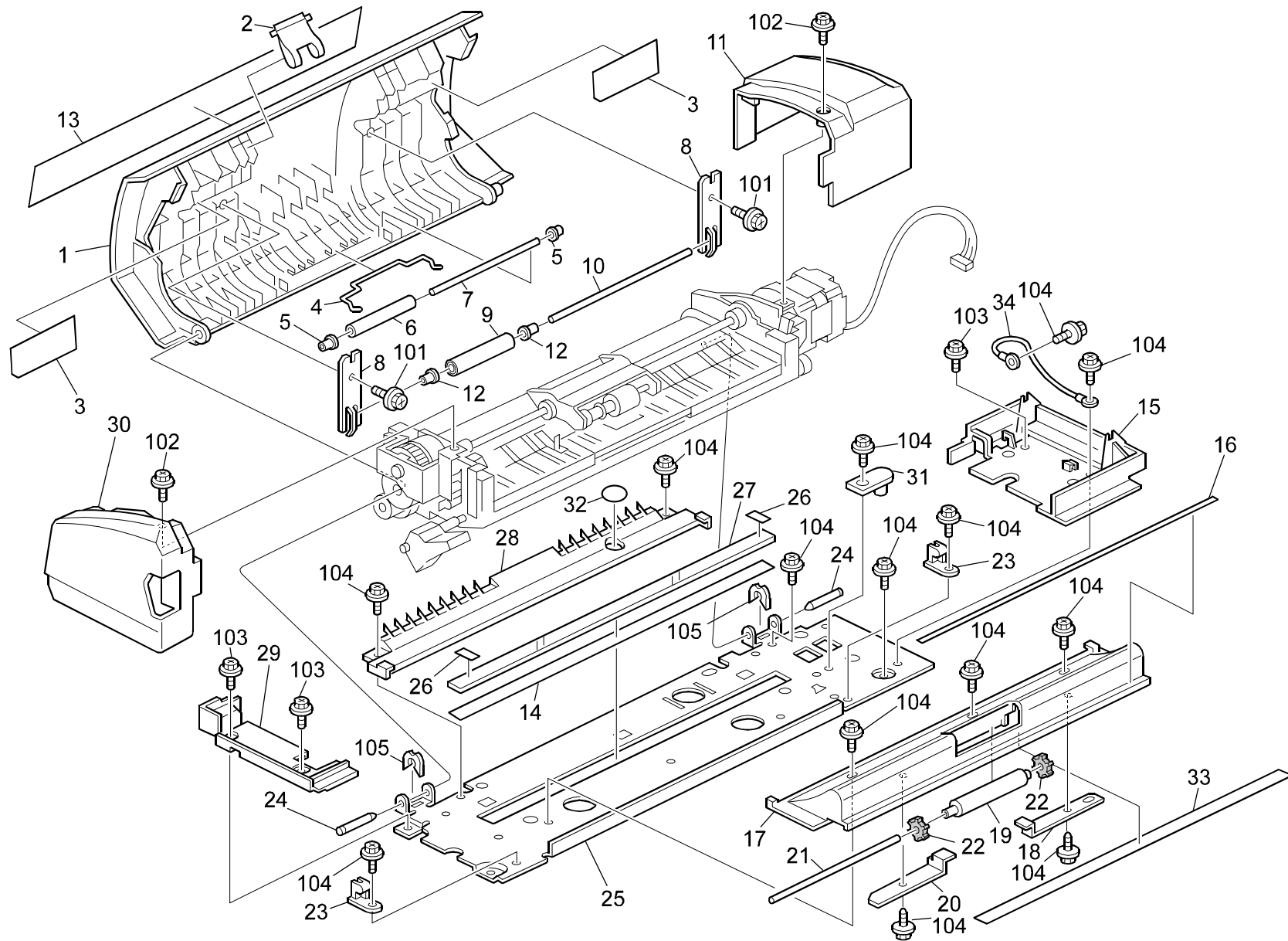


7.ADF 1 (B129/B130/B168)

Index No.	Part No.	Description	Q'ty Per Assembly
1	B044 4952	Cover- Original Table	1
2	BB01 3003	Gear - 14Z	1
3	B044 4951	Rear Guide	1
4	B044 4950	Front Guide	1
5	B044 4948	Original Table	1
6	B044 1381	Platen Cover Hinge	2
7	B044 1383	Platen Cover Spring	2
8	B044 1384	Hinge Cover	2
9	B044 1393	Platen Cover	1
9	B044 1394	Platen Cover	1
10	B044 1385	Platen Cover Sheet	1
11	B044 4999	Original Insert Decal	1
12	B044 4953	Original Auxiliary Table - NA	1

Index No.	Part No.	Description	Q'ty Per Assembly

8.ADF 2 (B129/B130/B168)

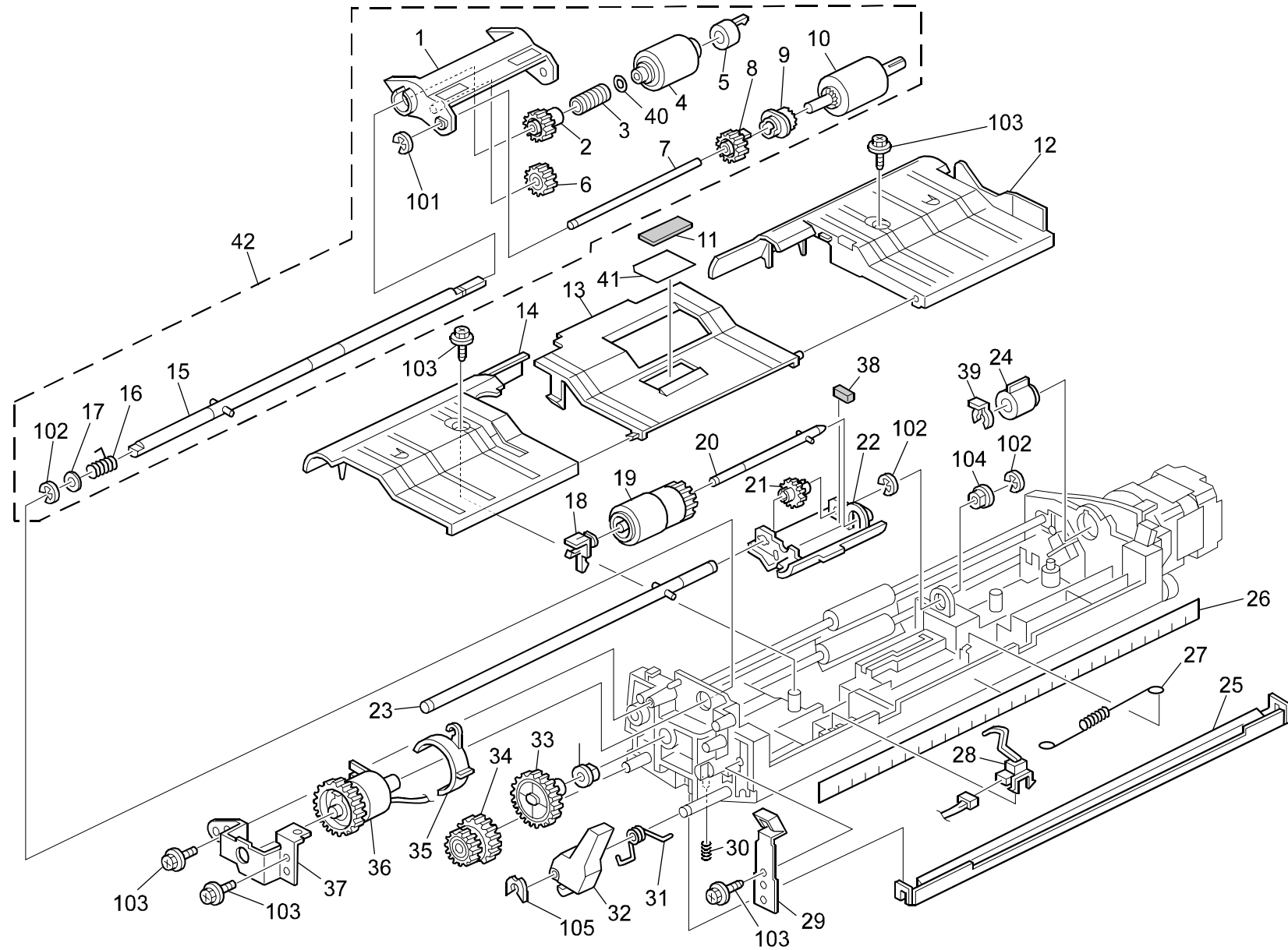


8.ADF 2 (B129/B130/B168)

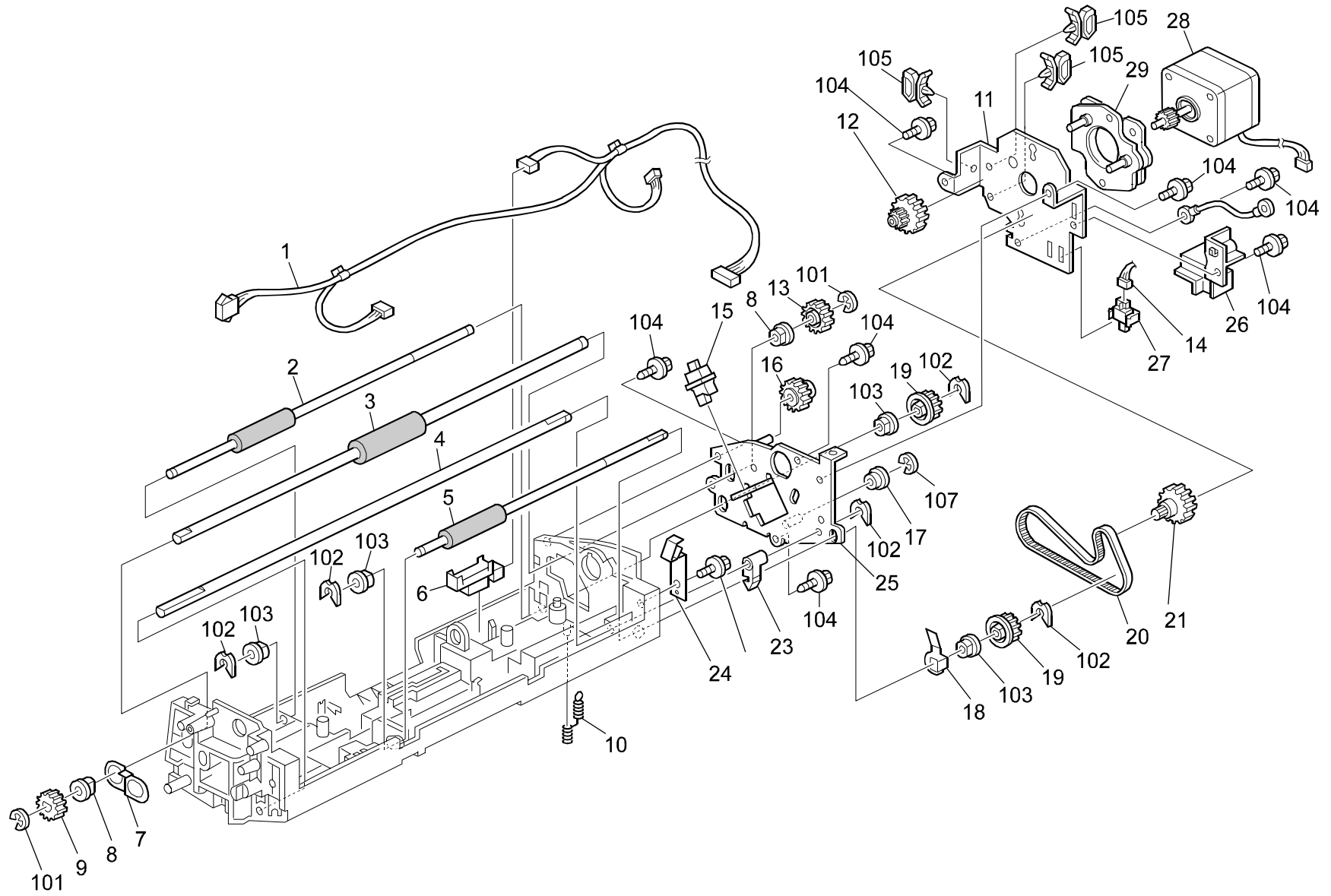
Index No.	Part No.	Description	Q'ty Per Assembly
1	B044 4852	Upper Cover	1
2	B044 4851	Myler Guide	1
3	B044 4850	Covermylar	2
4	B044 4859	Pressure Spring	1
5	AA08 0323	Roller Collar	2
6	AF02 2145	Pressure Roller	1
7	AA14 5825	Pressure Shaft	1
8	B044 4855	Plate Spring	2
9	AF02 2144	Pressure Roller	1
10	AA14 0807	Shaft-Pressure	1
11	B044 4925	Rear Upper Cover (NA)	1
11	B044 4924	Rear Upper Cover (EU)	1
12	B044 4857	Collar	2
13	B044 4997	Decal - Misfeed	1
14	B044 4929	Sheet - Exposure Glass	1
15	B044 4927	Rear Lower Cover (NA)	1
15	B044 4926	Rear Lower Cover (EU)	1
16	AA00 2256	Scale Decal	1
17	B044 4934	Guide Plate	1
18	B044 4936	Plate Spring	1
19	AF02 2146	Pressure Roller	1
20	B044 4938	Plate Spring	1
21	AA14 5826	Pressure Shaft	1
22	B044 4937	Collar	2
23	B044 4939	Lock Guide	2
24	B044 4940	Contact Point Shaft	2
25	B044 4930	Base Plate	1
26	B044 4941	Exposure Glass Spacer	2
27	AC01 3005	Df Exposure Glass	1
28	B044 4935	Guide Plate-exposure Glass	1
29	B044 4923	Front Lower Cover (NA)	1
29	B044 4922	Front Lower Cover (EU)	1
30	B044 4921	Front Upeer Cover (NA)	1
30	B044 4920	Front Upper Cover (EU)	1
31	B044 4964	Positioning Pin	1

Index No.	Part No.	Description	Q'ty Per Assembly
32	B044 4942	Shielding Plate	1
33	AC06 0004	White Standard Sheet - ADF	1
34	B044 4970	ADF Ground Wire	1
101	0450 3008B	Tapping Screw - M3x8	
102	0451 3006H	Tapping Screw - 3x6	
103	0593 0080B	Hexagonal Set Screw-M3x8	
104	0451 3006B	Tapping Screw - M3x6	
105	0805 0089	Retaining Ring - M4	

9.ADF 3 (B129/B130/B168)



10.ADF 4 (B129/B130/B168)

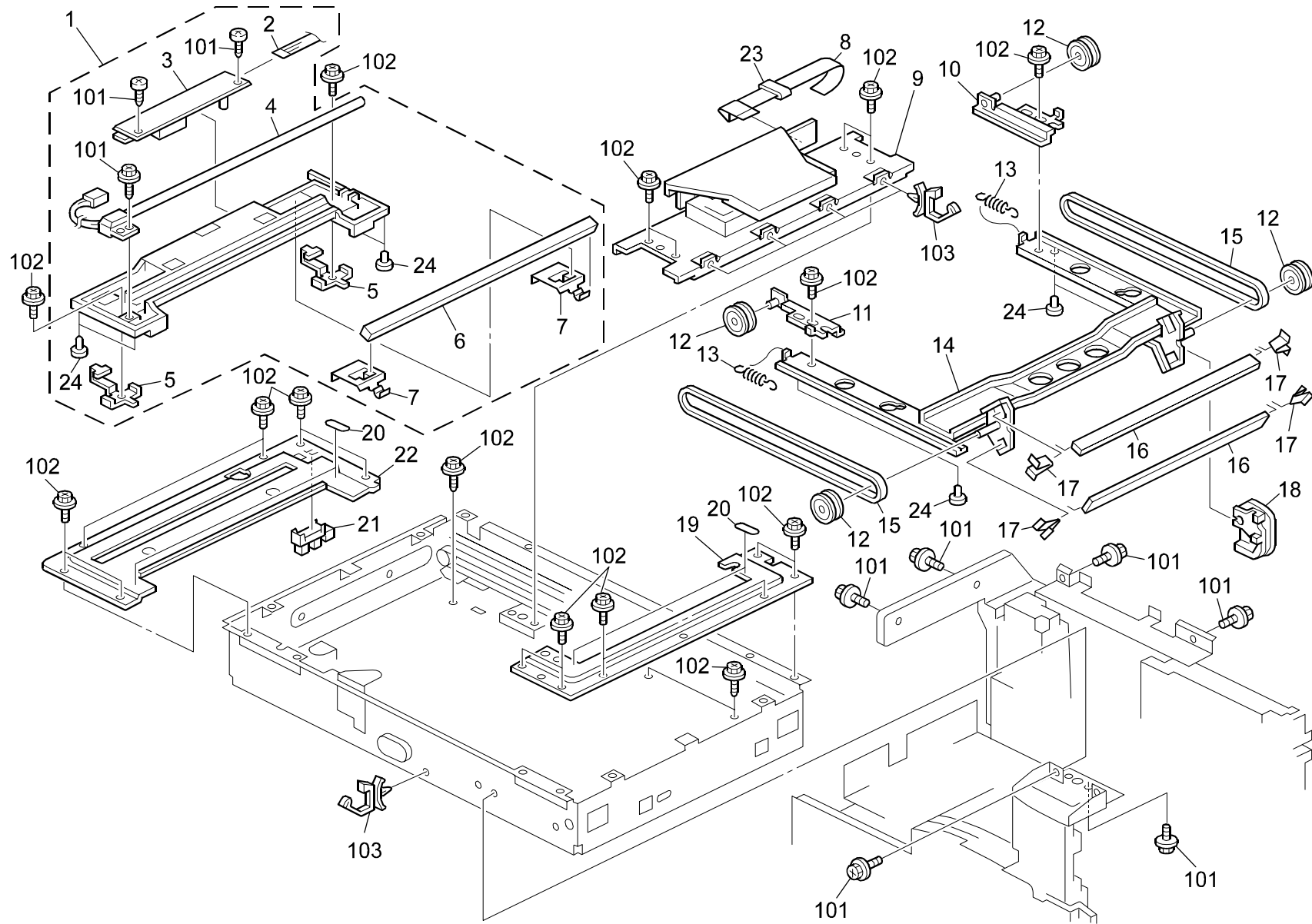


10.ADF 4 (B129/B130/B168)

Index No.	Part No.	Description	Q'ty Per Assembly
1	B130 5231	Harness - Sensor	1
2	AF02 0600	Roller	1
3	AF02 0553	Shaft	1
4	B044 4903	Shaft	1
5	AF02 0552	Roller	1
6	AW01 0049	Photo Reflection Sensor	1
7	B044 4898	Front Ground Plate	1
8	H521 1311	Busing	2
9	AB01 1327	Gear-19z	1
10	AA06 3868	Pressure Plate Spring - Rear	1
11	B129 4912	Motor Bracket	1
12	H556 1315	Gear - 14/44Z	1
13	AB01 1328	Gear - 22Z	1
14	B130 5230	Harness - On Off Detector	1
15	AW50 0023	Push Switch	1
16	AB01 1326	Gear - 17Z	1
17	AA08 0324	Timing Belt Collar	1
18	H556 1303	Rear Ground Plate	1
19	AB03 0712	Pulley	1
20	AA04 3503	Timing Belt - 113T	1
21	AB01 7689	Gear - 16/44Z	1
22	B044 4970	ADF Ground Wire	1
23	B044 4906	Rear Lock Lever	1
24	H556 1300	Spring Plate:Lock:Rear	1
25	B129 4901	Rear Drive Bracket Ass'y	1
26	B044 4883	Inner Cover-motor	1
27	H515 5018	Cover Switch - Fusing Exit	1
28	AX05 0204	Stepper Motor ADF	1
29	AA16 1630	Stepper Motor Cushion Ass'y	1

Index No.	Part No.	Description	Q'ty Per Assembly
101	0720 0060E	Retaining Ring - M6	
102	0805 0089	Retaining Ring - M4	
103	0805 3480	Bushing - 6mm	
104	0450 3008B	Tapping Screw - M3x8	
105	1105 0511	Harness Clamp - LWS-0306ZC	
106	0451 3006B	Tapping Screw - M3x6	
107	0720 0040E	Retaining Ring - M4	

11.OPTICS SECTION 1 (B129/B130/B168/B169)



11.OPTICS SECTION 1 (B129/B130/B168/B169)

Index No.	Part No.	Description	Q'ty Per Assembly
1	B129 1700	No.1 Carriage Ass'y	1
2	B044 1717	Lamp Stabilizer Harness	1
3	AZ50 0065	Xenon Lamp Stabilizer	1
4	AX50 0084	Xenon Lamp	1
5	B044 1715	Timing Belt Holder	2
6	AC03 0145	1st Mirror	1
7	B044 1721	1st Mirror Holder	2
8	B129 5236	Flat Cable - SBU	1
9	B129 1770	Optical Unit CCD Ass'y	1
10	B044 1745	Rear Pulley Bracket	1
11	B044 1741	Front Pulley Bracket	1
12	B039 1785	Scanner Drive Pulley	4
13	B039 1786	Tension Spring	2
14	B044 1730	2nd Scanner	1
15	AA04 2052	Scanner Drive Belt	2
16	AC03 0146	2nd Mirror	2
17	B039 1781	2nd Mirror Holder	4
18	B044 1751	Flat Cable Guide	1
19	B044 1683	Supporting Plate	1
20	A250 1824	Exposure Glass Sheet	4
21	AW02 0119	Photointerruptor - LG-24811	1
22	B044 1681	Scale Bracket	1
23	H555 5153	Ferrite Core	1
24	B044 1719	Scanner Slider Pin	8

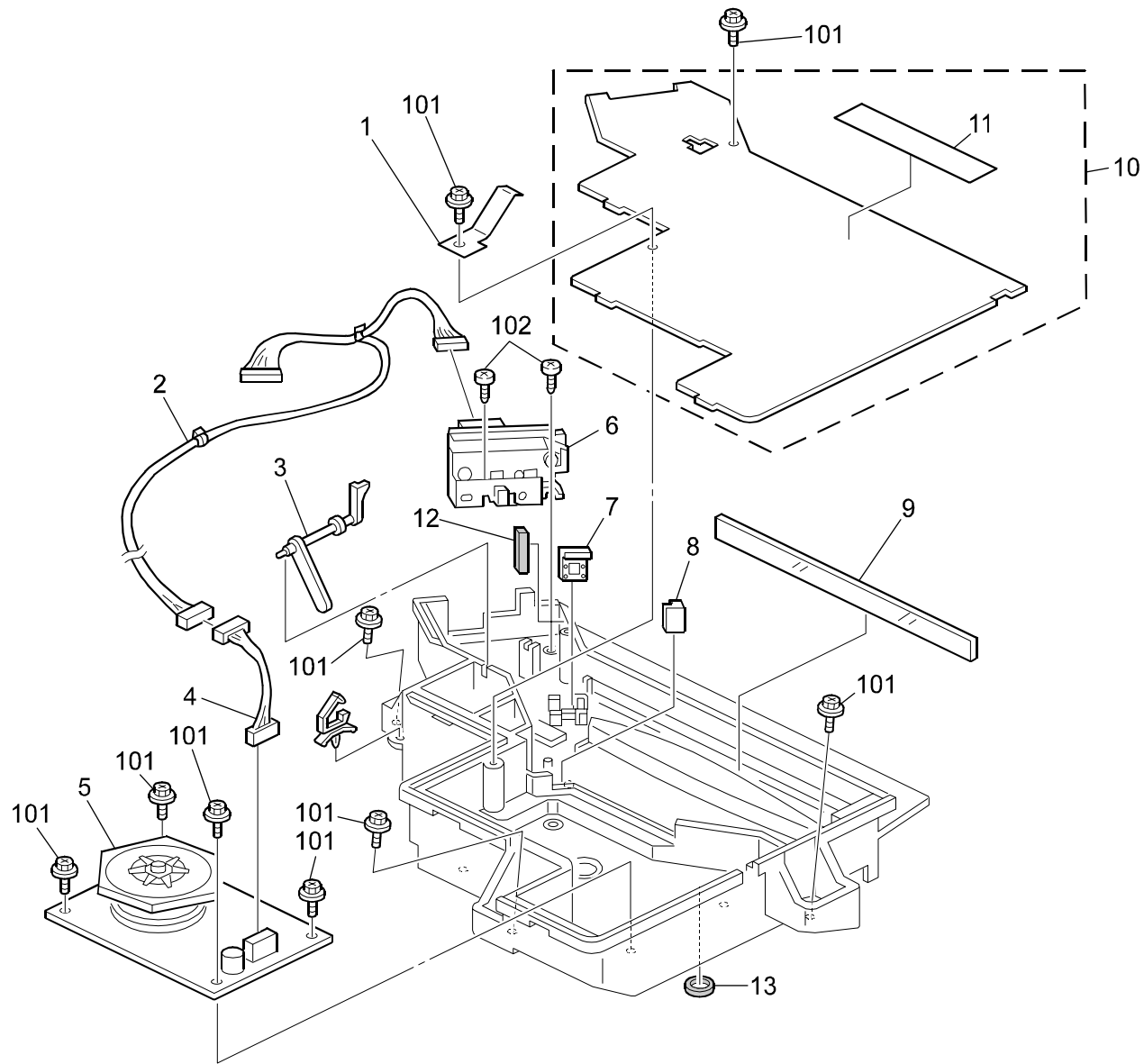
Index No.	Part No.	Description	Q'ty Per Assembly
101	0450 3008B	Tapping Screw - M3x8	
102	0451 3006B	Tapping Screw - M3x6	
103	1105 0511	Harness Clamp - LWS-0306ZC	

12.OPTICS SECTION 2 (B129/B130/B168/B169)

Index No.	Part No.	Description	Q'ty Per Assembly
1	B044 1816	Front Idler Bracket	1
2	AA04 3939	Timing Belt 640t	2
3	B044 1818	Rear Idler Bracket	1
4	B039 1704	Spring - Timing Pulley	2
5	B044 1654	Rear Rail	1
6	B044 1653	Front Rail	1
7	AW02 0119	Photointerruptor - LG-24811	1
8	B044 1665	Scale Bracket	1
9	B129 1667	Sheet - Flat Cable Stabilizer	1
10	B044 1663	Lens Bracket	2
11	B129 1675	Left DFB PCB Bracket	1
12	AB03 3095	Drive Pully - 41t/37t	1
13	B039 1695	Flange - Pulley	1
14	B044 1815	Scanner Drive Shaft	1
15	B044 1810	Stepper Motor - DC 9.0W	1
16	B121 1680	Gear - 53Z/60Z	1
17	B121 1696	Timing Belt L147	1
18	B039 1683	Tension Spring - Stepper Motor	1
19	AB03 0711	Drive Pully - 37t	1
20	AA08 2046	Bushing - 6x12x6	1
21	B044 1661	Belt Clamp Bracket	2
22	B044 1671	Bracket	1
23	B044 1669	Stopper Bracket - 1st Scanner	2
24	B044 1668	Rear Stopper Bracket	1
25	B129 1304	DFB Harness Guide Plate	1
26	B129 1676	Middle DFB PCB Bracket	1
27	G025 1211	Speaker - GS	1
28	B129 1311	Speaker Bracket	1
29	B129 5170	PCB DFB	1
30	B130 5231	Harness - Sensor	1
31	B044 1677	Core Holder	1
32	B044 1824	Rubber Bushing	3
33	B044 1825	Collar	3
34	B130 5226	Harness - DFB	1

Index No.	Part No.	Description	Q'ty Per Assembly
101	0451 3006B	Tapping Screw - M3x6	
102	0802 5276	Tapping Screw With Washer - M3x6	
103	0360 3006W	Philips Pan Head Screw- M3x6	
104	0740 3906	Ball Bearing - 6x15x5	
105	0720 0060W	Retaining Ring - M6	
106	1105 0487	Harness Clamp	
107	1105 0522	Edge Saddle - LES0510	
108	1105 0511	Harness Clamp - LWS-0306ZC	

13.LASER UNIT (B129/B130/B168/B169)

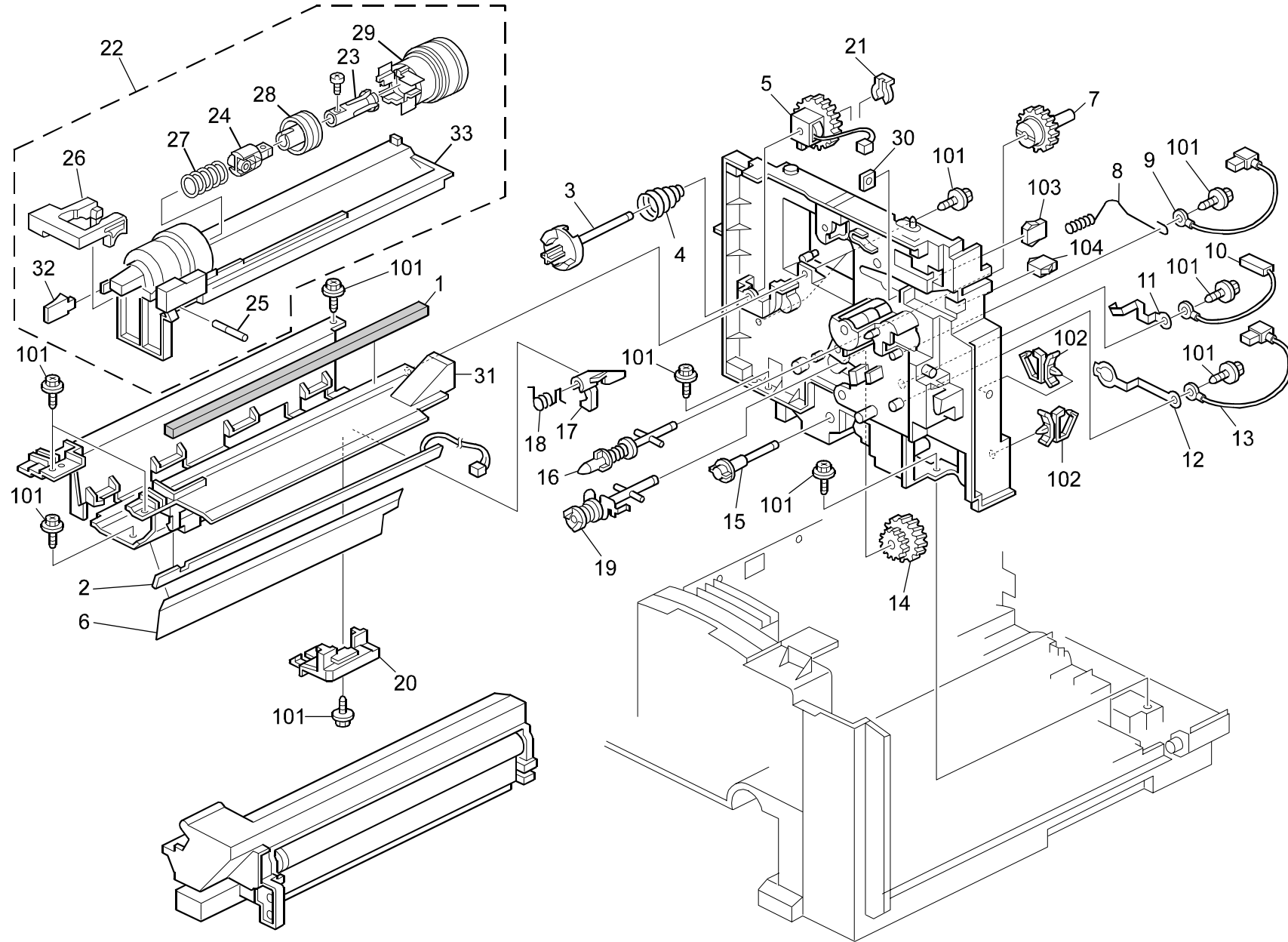


13.LASER UNIT (B129/B130/B168/B169)

Index No.	Part No.	Description	Q'ty Per Assembly
*	B129 1901	Laser Unit Ass'y	1
1	B044 1943	Ground Plate	1
2	B129 5204	Harness - LDDR	1
3	B044 1944	Shutter Plate	1
4	B044 1935	Harness - Polygon Scanner	1
5	AX06 0284	Polygon Scanner Motor	1
6	B044 1911	Laser Diode Unit	1
7	G025 2730	Cylindrical Lens	1
8	G025 2731	Synchronizing Detector Lens	1
9	B044 1931	Shield Glass	1
10	B044 1941	Laser Unit Cover	1
11	G029 1982	LD Decal	1
12	B044 1906	Seal - LDU	1
13	B044 1999	Spacer - 5mm	1

Index No.	Part No.	Description	Q'ty Per Assembly
101	0450 3008B	Tapping Screw - M3x8	
102	0452 3010B	Tapping Bind Screw - M3x10	

14.PCU SECTION (B129/B130/B168/B169)

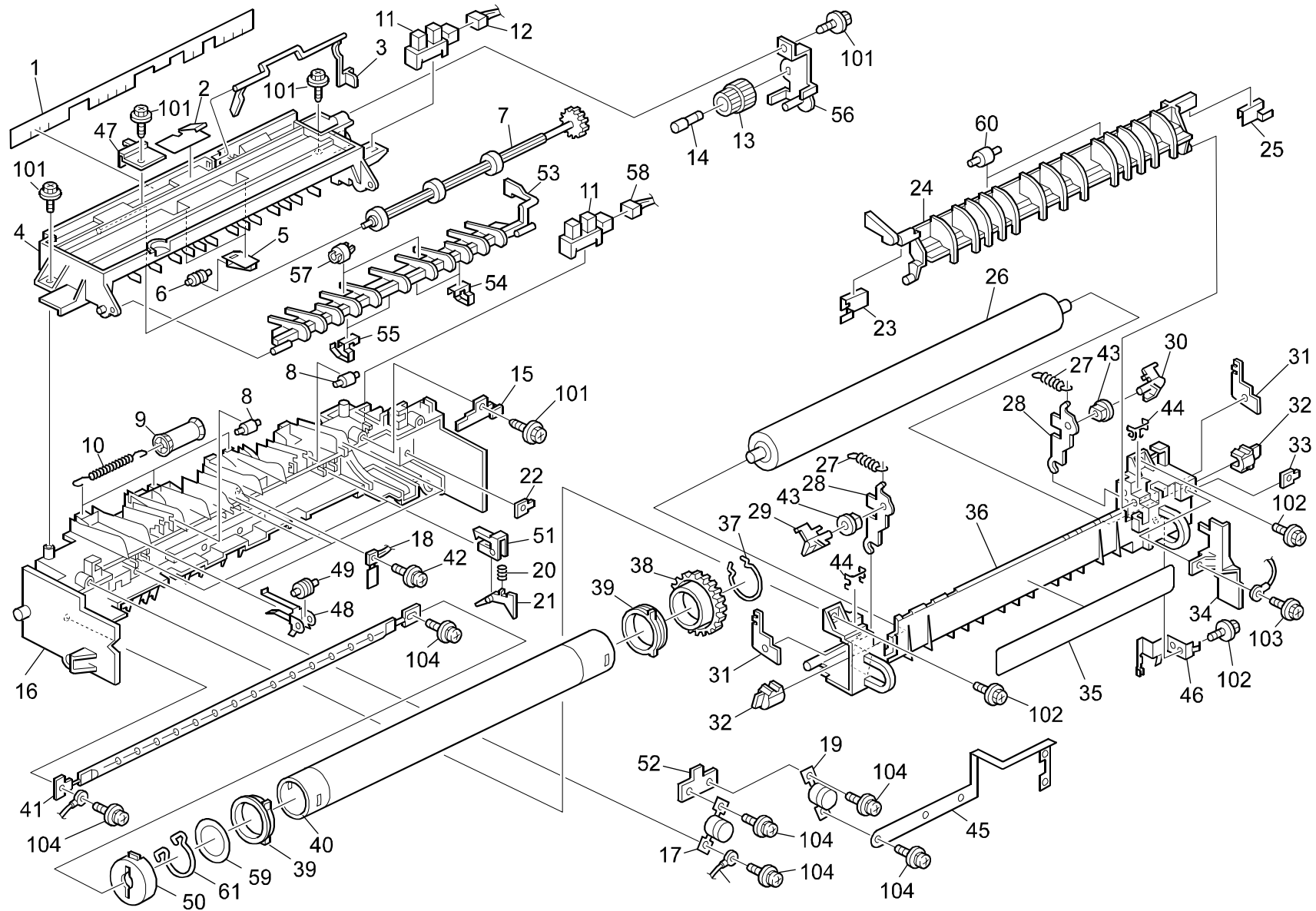


14.PCU SECTION (B129/B130/B168/B169)

Index No.	Part No.	Description	Q'ty Per Assembly
1	B044 1069	Duct Shield	1
2	AX50 0079	Quenching Lamp	1
3	B129 1176	Toner Supply Shaft	1
4	B129 1175	Toner Bottle Drive Spring	1
5	AB04 0019	Spring Clutch	1
6	B044 1068	Toner Supply Rail	1
7	AB01 0358	Gear - 64Z	1
8	AA11 3034	Electrode Plate - Charge	1
9	B129 5220	Harness - High Voltage Line C	1
10	B129 5222	HVP T Harness	1
11	AA11 3035	Electrode Plate - Transfer	1
12	AA11 3032	Electrode Plate - Development	1
13	B129 5221	Harness - High Voltage Line B	1
14	AB01 7582	Coupled Gear 22/50z	1
15	AA14 8651	Shaft - Paper Feed Roller	1
16	AB00 0022	Drum Shaft	1
17	B044 1100	Shutter	1
18	B044 1101	Shutter Spring	1
19	AB00 0024	Development Shaft Ass'y	1
20	B044 1103	Shutter Cover	1
21	G014 3291	Snap Ring - Pick Up	1
22	B129 3020	Toner Supply Unit Ass'y	1
23	A184 3420	Bottle Chuck	1
24	B044 3426	Chuck Shaft	1
25	B044 3425	Slide Shaft	1
26	B044 3460	Handle Cam	1
27	A267 3556	Chuck Spring - Tonner Bottle	1
28	B044 3485	Slider Ass'y	1
29	B129 3465	Cover - Toner Supply Unit	1
30	B044 4200	Fusing Plate Nut	1
31	B044 1067	Toner Supply Rail	1
32	B044 3475	Un Lock Grip	1
33	B044 3470	Toner Supply Case Ass'y	1

Index No.	Part No.	Description	Q'ty Per Assembly
101	0450 3008B	Tapping Screw - M3x8	
102	1105 0511	Harness Clamp - LWS-0306ZC	
103	1102 6259	Connector - 2P	
104	1102 4559	Connector - 3P	

15.FUSING UNIT (B129/B130/B168/B169)

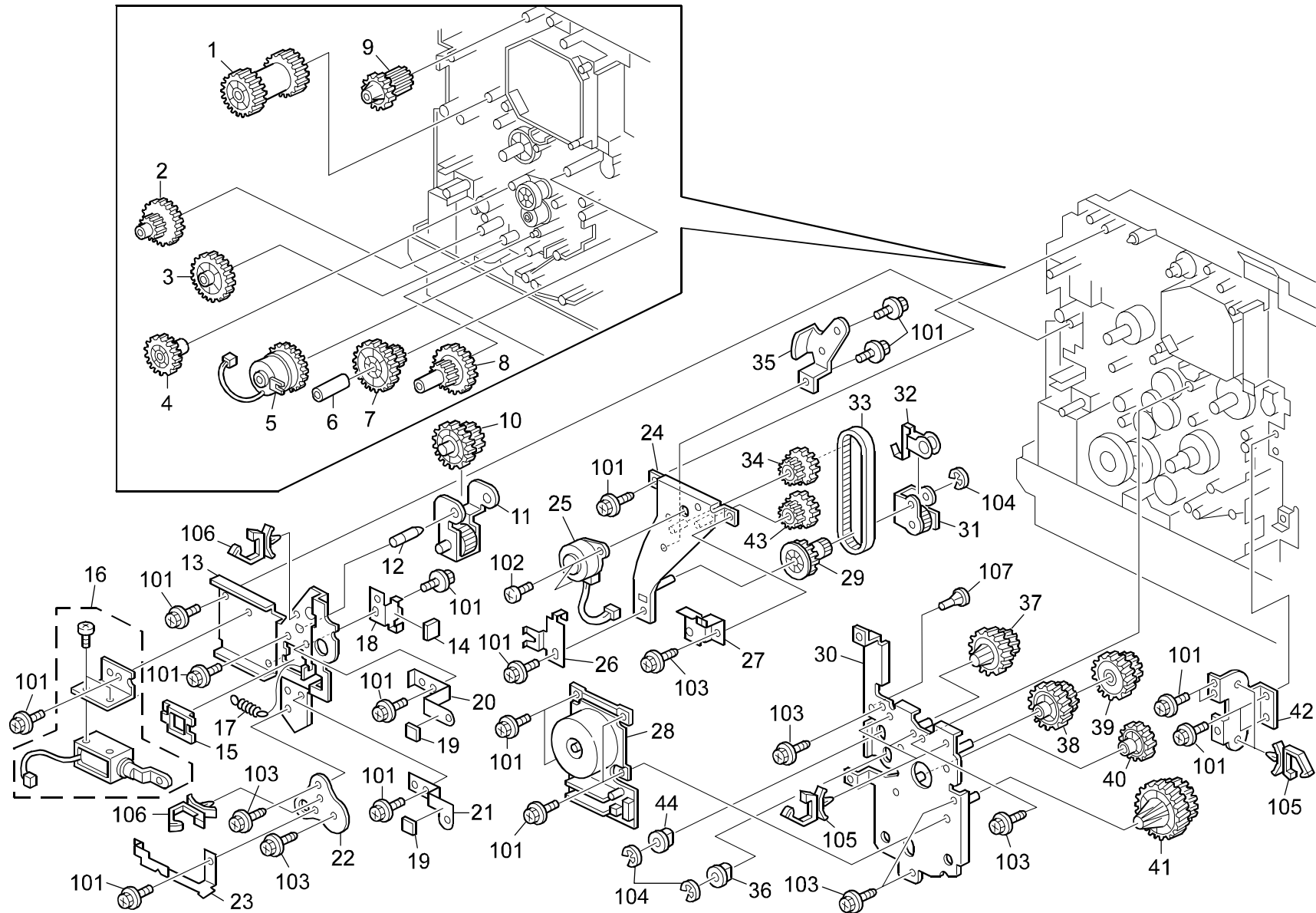


15.FUSING UNIT (B129/B130/B168/B169)

Index No.	Part No.	Description	Q'ty Per Assembly
*	B129 4017	Fusing Unit NA Ass'y	1
*	B129 4027	Fusing Unit EU Ass'y	1
1	B044 4165	Discharge Brush	1
2	B044 4166	Spring Plate	1
3	B044 4183	Feeler	1
4	B044 4186	Guide Plate	1
5	B044 4138	Spring	2
6	AF02 2141	Turn-roller	2
7	AF04 0603	Exit Roller	1
8	AF02 2142	Middle Roller	2
9	AF04 0588	Exit Roller	3
10	B044 4154	Exit Spring	3
11	AW02 0119	Photointerruptor - LG-24811	1
12	B129 5203	Harness - Paper Feed Sensor	1
13	H556 2210	Gear - 19/28Z	1
14	H556 2218	Stud	1
15	B129 4143	Electrode Plate Cover	1
16	B129 4101	Fusing Frame	1
17	AW11 0037	Thermostat - 160c	1
18	AW10 0088	Thermistor - Fusing	1
19	AW11 0038	Thermostat - 170c	1
20	B044 4155	Spring - Pickoff Pawl	1
21	AE04 4059	Stripper Pawls	3
22	B044 4135	Lamp Holder	1
23	B044 4117	Front Spring Plate	1
24	H556 2206	Guide Plate	1
25	B044 4118	Rear Spring Plate	1
26	AE02 0107	Pressure Roller	1
27	B044 4152	Pressure Spring	2
28	B044 4130	Pressure Lever	2
29	B044 4141	Pressure Release Lever - Front	1
30	B044 4146	Pressure Release Lever - Rear	1
31	B044 4132	Side Plate	2
32	AE03 1035	Pressure Roller Bushing	2
33	B044 4200	Fusing Plate Nut	1

Index No.	Part No.	Description	Q'ty Per Assembly
34	B044 4201	Fusing Harness Cover	1
35	B044 4161	Warning Decal	1
36	B044 4104	Pressure Frame	1
37	B044 4150	Hot Roller Stopper	1
38	B044 4170	Fusing Gear	1
39	AE03 1034	Fusing Bushing	2
40	AE01 1086	Hot Roller	1
41	AX44 0202	Heater - 120V/800W	1
41	AX44 0203	Heater - 230V:750W	1
42	G029 4158	Screw - M3X13	1
43	B044 4131	Bushing-pressure Release	2
44	B044 4153	Cushion	2
45	B129 4134	Electrode Plate Fusing	1
46	B044 4136	Ground Plate	1
47	B044 4401	Paper Holder Stand	1
48	B129 4139	Spring Plate - Pickoff Pawl Roller	3
49	B039 4170	Stripper Pawls Roller	3
50	B044 4112	Hot Roller Cap	1
51	B044 4179	Holder - Pickoff Pawl	1
52	B129 4195	Thermostat Plate Nut	1
53	H556 2208	Gate Plate	1
54	H556 2201	Reargate Plate Guide	1
55	H556 2202	Front Gate Plate Guide	1
56	H556 2215	Gear Bracket	1
57	H556 2220	Roller	2
58	H556 5106	Gate Sensor Harness	1
59	B129 4111	Hot Roller Spacer	1
60	AF02 2142	Middle Roller	2
61	B044 4156	Front Hot Roller Stopper	1
101	0450 3008B	Tapping Screw - M3x8	
102	0451 3006B	Tapping Screw - M3x6	
103	0450 3010B	Tapping Screw - M3x10	
104	0954 3008B	Philips Screw - M3x8	

16.DRIVE SECTION (B129/B130/B168/B169)

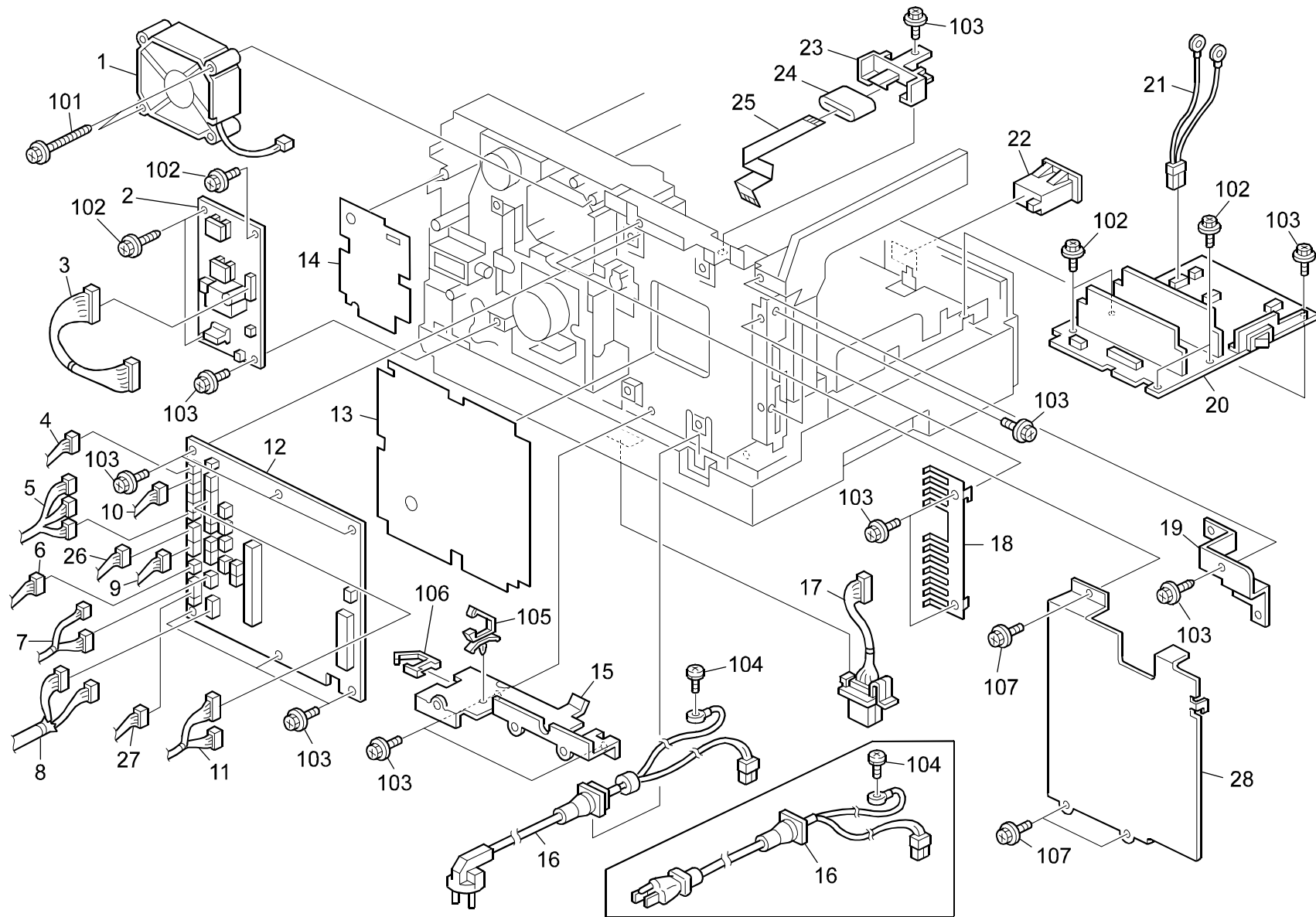


16.DRIVE SECTION (B129/B130/B168/B169)

Index No.	Part No.	Description	Q'ty Per Assembly
1	BB01 3006	Gear - 27Z	1
2	AB01 7586	Coupled Gear - 43/53z	1
3	AB01 1438	Gear - 41Z	1
4	AB01 1492	Gear - 29Z	1
5	AX20 0268	Paper Feed Clutch	1
6	AA13 2217	Collar	1
7	AB01 7587	Coupled Gear - 17/44z	1
8	AB01 7585	Coupled Gear - 17/44z	1
9	AB01 7629	Gear - 19/21Z	1
10	AB01 7663	Gear - 18/40Z	1
11	B129 1162	Fusing Bracket Ass'y	1
12	AA14 3783	Fusing Shaft No.5	1
13	B129 1110	Rear Drive Plate 2	1
14	AA16 1157	Bracket Cushion	1
15	B129 1056	Shaft Spacer	1
16	B129 1161	Lever DC Solenoid Ass'y	1
17	AA06 2326	Spring - Swivel Fusing	1
18	B129 1129	Plate Cushion	1
19	B044 1139	Damping Insulation	2
20	AA12 0124	Ground Plate - Drum Drive	1
21	AA12 0104	Ground Plate - Registration	1
22	B129 1157	Side Plate - Manual Feed	1
23	B129 2820	Ground Plate - Manual Feed	1
24	H556 4170	Duplex Drive Bracket	1
25	AX06 0273	Duplex Stepper Motor	1
26	B129 4703	Ground Plate - Lower Duplex Bracket	1
27	B129 4701	Spring Plate - Discharge Bracket Motor	1
28	AX06 0226	Main Motor - DC20W	1
29	AB01 7628	Gear - 19/38Z	1
30	B129 1160	Rear Drive Plate 1 Ass'y	1
31	H556 4179	Swivel Bracket	1
32	H556 4178	Spring Plate	1
33	AA04 3582	Timing Belt	1
34	AB03 2071	Pulley - 24Z	1
35	H556 4180	Plate Bracket	1

Index No.	Part No.	Description	Q'ty Per Assembly
36	5424 4142	Bushing - Cleaning Roller	1
37	AB01 7661	Gear - 29/69Z	1
38	AB01 7660	Gear - 44/67Z	1
39	AB01 7662	Gear - 17/67Z	1
40	AB01 0362	Gear - 49Z	1
41	AB01 7659	Gear - 43/91Z	1
42	B044 1158	Bracket	1
43	AB01 7627	Gear - 28/43Z	1
44	5053 0447	Bushing - 6mm	1
101	0451 3006B	Tapping Screw - M3x6	
102	0453 3006B	Tapping Screw - M3x6	
103	0450 3010B	Tapping Screw - M3x10	
104	0720 0040E	Retaining Ring - M4	
105	1105 0197	Wire Saddle	
106	1105 0511	Harness Clamp - LWS-0306ZC	

17.ELECTRICAL SECTION (B129/B130/B168/B169)

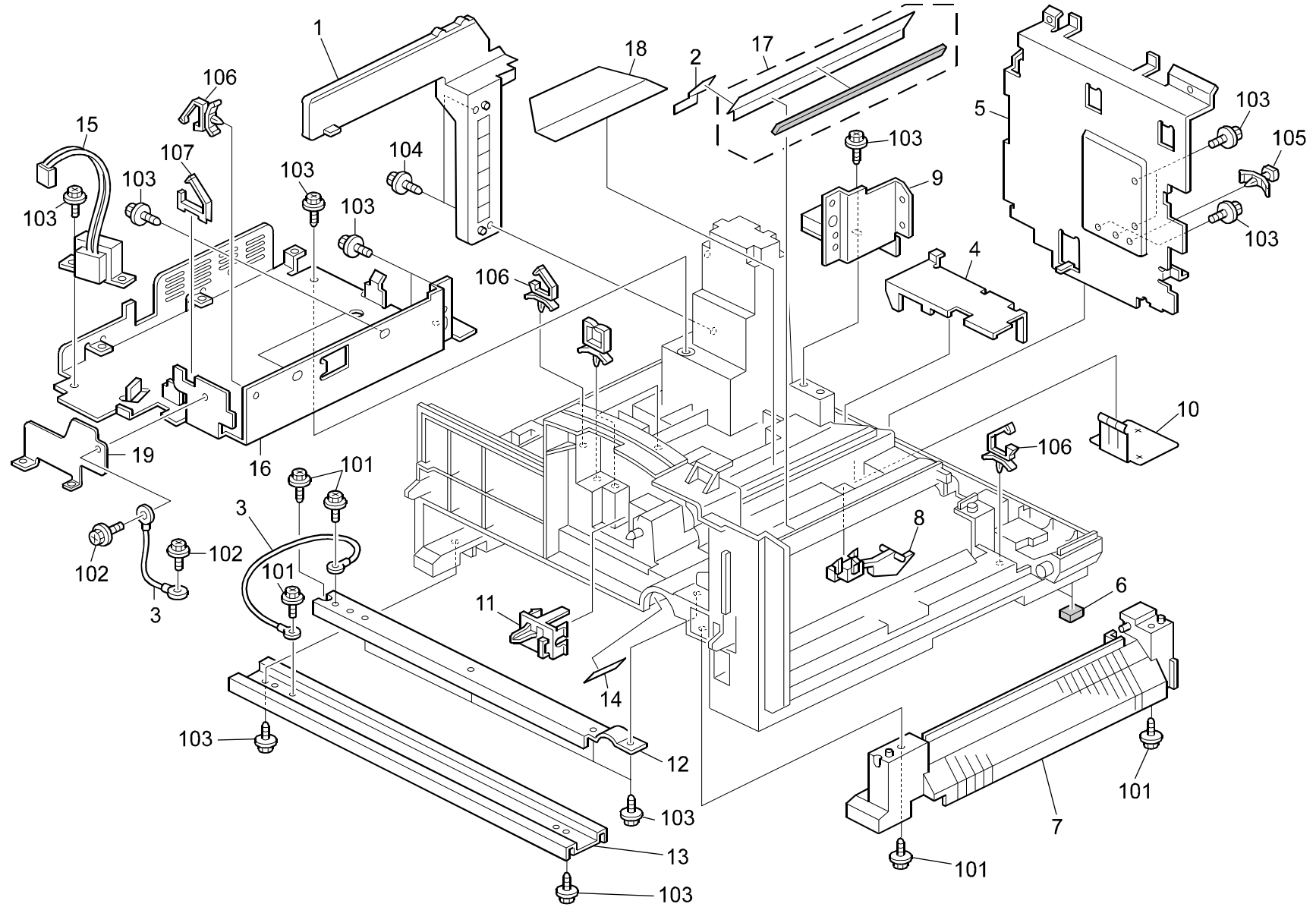


17.ELECTRICAL SECTION (B129/B130/B168/B169)

Index No.	Part No.	Description	Q'ty Per Assembly
1	GX64 0020	Fan Motor - DC24V	1
2	AZ32 0131	Power Pack BCT	1
3	B129 5217	Harness - HVP	1
4	B129 5201	Harness - HPS	1
5	B129 5202	Harness - Paper Feed Sensor	1
6	B129 5213	Harness - Registration Sensor	1
7	B129 5200	Harness - Toner	1
8	B129 5206	Harness - Power Supply Unit	1
9	B129 5216	Harness - Main Motor	1
10	B129 5205	Harness - Operation Panel	1
11	B129 5210	Harness - Door Switch	1
12	B129 5013	PCB BICU Asia Ass'y	1
12	B129 5101	PCB BICU EXP Ass'y	1
12	B129 5104	PCB BICU Chn Ass'y	1
12	B130 5101	PCB BICU MFP EXP Ass'y	1
12	B130 5103	PCB BICU MFP Asia Ass'y	1
12	B130 5104	PCB BICU MFP CHN Ass'y	1
13	B129 1307	BICU Insulating Sheet	1
14	AA17 0026	Insulating Sheet Power Pack	1
15	B129 1301	BICU Shadeing Plate	1
16	B129 5021	Power Supply Cord NA	1
16	H555 5004	Power Supply Cord - CHN	1
16	H555 5008	Power Supply Cord	1
17	B129 5223	Harness - Paper Feed Table	1
18	B129 1313	Spring Plate - Gwctl	1
19	B129 1303	Rear Cover Bracket	1
20	AZ23 0134	Power Supply Unit 100V	1
20	AZ23 0135	Power Supply Unit 200V	1
21	B129 5208	Harness - AC Fusing EU	1
21	B129 5209	Harness - AC Fusing NA	1
22	AX31 0038	Total Counter 2nd	1
23	B044 5805	Ferrite Core Holder	1
24	H555 5150	Ferrite Core	1
25	B129 5236	Flat Cable - SBU	1
26	B129 5217	Harness - HVP	1

Index No.	Part No.	Description	Q'ty Per Assembly
27	B129 5223	Harness - Paper Feed Table	1
28	B129 1314	Cover Plate - BICU (B129)	1
101	0450 3035B	Tapping Screw - M3x35	
102	0450 3008B	Tapping Screw - M3x8	
103	0451 3006B	Tapping Screw - M3x6	
104	0950 4006B	Screw - M4X6	
105	1105 0487	Harness Clamp	
106	1105 0522	Edge Saddle - LES0510	
107	0451 3008H	Tapping Screw - M3x8	

18.FRAME SECTION (B129/B130/B168/B169)

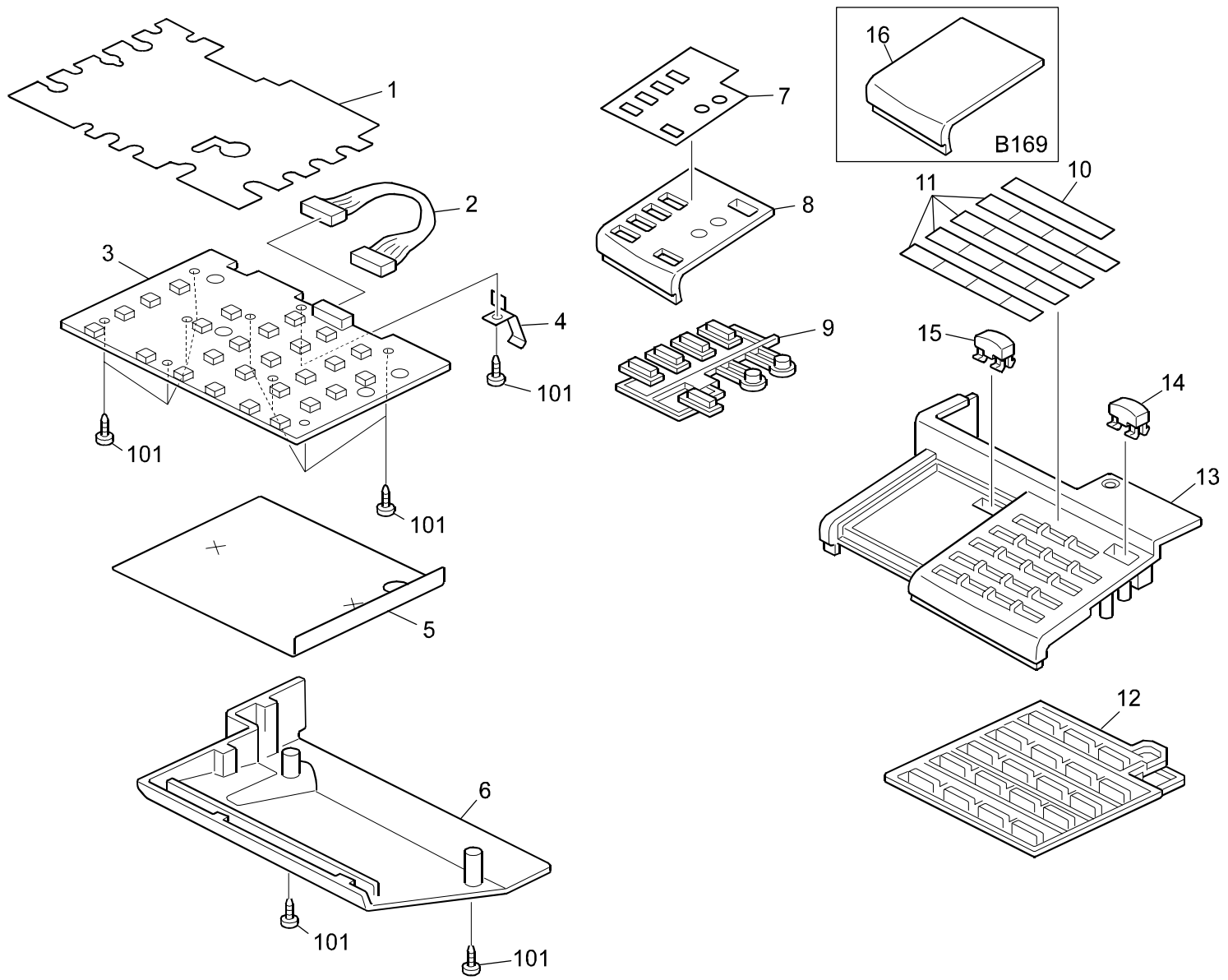


18.FRAME SECTION (B129/B130/B168/B169)

Index No.	Part No.	Description	Q'ty Per Assembly
1	B044 1060	Scanner Unit Stay	1
2	B044 2623	Myler - Remove Paper Dust	1
3	B044 5235	Ground Wire	2
4	B129 1301	BICU Shadeing Plate	1
5	B129 1300	BICU Bracket	1
6	G512 3029	Rubber Foot	4
7	B044 2651	Right Rail	1
8	B044 5300	Paper End Sensor	1
9	B129 1060	PSU Stay	1
10	B044 1066	Ground Plate - Option Tray	1
11	B044 1105	Positioning Plate - Toner Bottle	1
12	B044 1061	Base Bracket	1
13	B044 1062	Base Bracket - Paper Feed	1
14	B044 2202	Mylar-quenching Lamp	1
15	B129 5053	Choke Coil - B1295053	1
16	B129 1302	Power Supply Unit Bracket	1
17	B044 2617	Holder Ass'y - Paper Dust Removal	1
18	B044 1998	Harness Holder Bracket	1
19	B129 1315	Separation Bracket	1

Index No.	Part No.	Description	Q'ty Per Assembly
101	0450 3008B	Tapping Screw - M3x8	
102	0954 3008B	Philips Screw - M3x8	
103	0451 3006B	Tapping Screw - M3x6	
104	0450 3010B	Tapping Screw - M3x10	
105	1105 0409	Card Spacer- 6.4mm	
106	1105 0511	Harness Clamp - LWS-0306ZC	
107	1105 0522	Edge Saddle - LES0510	

19.FAX OP (B130/B168)

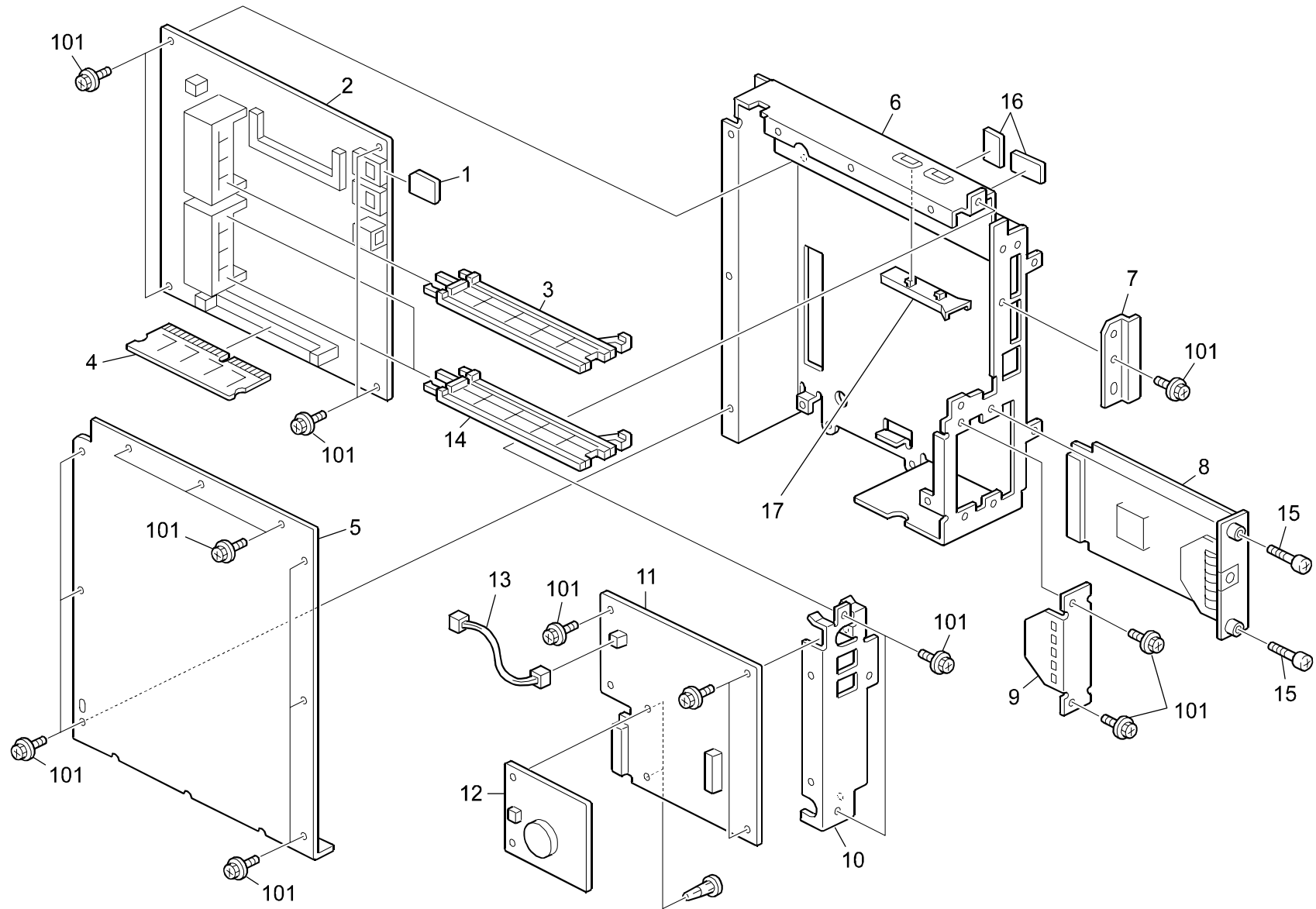


19.FAX OP (B130/B168)

Index No.	Part No.	Description	Q'ty Per Assembly
*	B130 1421	Operation Panel Expand FS NA	1
*	B130 1422	Operation Panel Expand FS EU	1
*	B130 1427	Operation Panel Expand FS CHN	1
*	B168 1423	Operation Panel Expand NA Ass'y	1
*	B130 1424	Operation Panel Expand EU Ass'y (B130/B169)	1
*	B168 1424	Operation Panel Expand EU Ass'y (B168)	1
*	B168 1425	Operation Panel Expand CHN Ass'y	1
1	B129 1482	Sheet - OP Left	1
2	B130 5290	Harness - OPU	1
3	B130 5157	PCB OPU Ass'y	1
4	B129 1474	Spring Plate - STL	1
5	B129 1457	OP-I Cable Sheet	1
6	B129 1454	Lower Cover - Fax	1
7	B129 1481	Function Key Decal - NA/ASIA	1
8	B129 1456	Function Cover Fax	1
9	B129 1470	Keytop - Function Fax	1
10	B129 1478	Upper Decal	1
11	B129 1479	Sheet - Display Fax B	1
12	B129 1469	Keytop - Dial Fax	1
13	B129 1453	Upper Cover - Fax	1
14	B129 1467	Keytop - Scanner Option NA	1
14	B129 1489	Keytop - Scanner Option EU	1
15	B129 1468	Keytop - Fax Option NA	1
15	B129 1490	Keytop - Fax Option EU	1
16	B129 1494	Cover - Function Fax Blind	1

Index No.	Part No.	Description	Q'ty Per Assembly
101	0452 3010H	Tapping Screw - M3x10	

20. EXTENTION BOX (B130/B168/B169)



20.EXTENTION BOX (B130/B168/B169)

Index No.	Part No.	Description	Q'ty Per Assembly
1	B683 5670	SD-Card EXP Ass'y	1
2	B683 5700	PCB CTL EXP	1
3	B622 5831	Rail:Right	1
4	G331 5720	PCB SDRAM-DIMM 128Mb Ass'y	1
5	B129 1306	GWCTL Shadeing Plate	1
6	B129 1305	Gwctl Bracket	1
7	B129 1254	Cover - SD	1
8	B622 5660	PCB USB Ass'y	1
9	B129 1309	Interface Cover	1
10	B129 1308	FCU Bracket	1
11	B620 5172	PCB GWFCU3 NA:Ass'y	1
11	B620 5174	PCB GWFCU3 EU Ass'y	1
12	B130 5080	PCB MBU Ass'y	1
13	B130 5233	Harness - Speaker	1
14	B622 5832	Rail:Left	1
15	B622 5823	Knob Screw	2
16	H547 4203	Guide Plate Sponge	2
17	H556 5857	Opif Rail	1

Index No.	Part No.	Description	Q'ty Per Assembly
101	0451 3006H	Tapping Screw - 3x6	

21.BICU BOARD (B129)

CAPACITOR

SYMBOL NO.	INDEX NO.	SYMBOL NO.	INDEX NO.	SYMBOL NO.	INDEX NO.	SYMBOL NO.	INDEX NO.	SYMBOL NO.	INDEX NO.	SYMBOL NO.	INDEX NO.	SYMBOL NO.	INDEX NO.
C1	304	C11	315	---	---	C31	305	C41	315	C51	315	C61	295
C2	304	C12	188	---	---	C32	216	C42	210	C52	211	C62	300
C3	315	C13	306	C23	306	C33	215	C43	315	C53	209	C63	292
C4	315	C14	315	C24	306	C34	214	C44	212	C54	315	C64	300
C5	308	C15	293	C25	306	C35	315	C45	305	---	---	C65	292
C6	296	C16	306	C26	313	C36	215	C46	305	C56	315	C66	300
C7	306	C17	188	C27	296	C37	209	C47	305	C57	192	C67	300
C8	299	C18	315	C28	315	C38	312	C48	313	---	---	C68	298
C9	311	C19	296	C29	315	C39	306	C49	315	C59	295	C69	298
---	---	C20	293	C30	306	C40	306	---	---	C60	295	C70	298

CAPACITOR

SYMBOL NO.	INDEX NO.	SYMBOL NO.	INDEX NO.	SYMBOL NO.	INDEX NO.	SYMBOL NO.	INDEX NO.	SYMBOL NO.	INDEX NO.	SYMBOL NO.	INDEX NO.	SYMBOL NO.	INDEX NO.
C71	298	C81	305	C91	293	---	---	C111	315	C121	305	C131	315
C72	298	C82	315	C92	315	C102	315	---	---	C122	305	C132	300
C73	298	C83	189	---	---	---	---	C113	305	C123	305	C133	305
C74	298	C84	305	C94	315	---	---	C114	315	C124	305	C134	193
C75	298	---	---	C95	315	C105	295	---	---	C125	305	C135	315
C76	298	---	---	---	---	C106	315	C116	305	C126	305	C136	315
---	---	C87	300	C97	315	---	---	C117	315	C127	305	C137	308
C78	306	C88	300	C98	296	C108	293	C118	300	C128	315	C138	309
C79	305	C89	305	C99	296	C109	211	C119	299	---	---	C139	217
---	---	C90	305	C100	315	C110	315	C120	305	---	---	C140	292

21.BICU BOARD (B129)

CAPACITOR

SYMBOL NO.	INDEX NO.	SYMBOL NO.	INDEX NO.	SYMBOL NO.	INDEX NO.	SYMBOL NO.	INDEX NO.	SYMBOL NO.	INDEX NO.	SYMBOL NO.	INDEX NO.	SYMBOL NO.	INDEX NO.
C141	292	---	---	C161	305	C171	309	C181	315	C191	308	---	---
C142	213	C152	211	C162	313	C172	309	C182	308	---	---	---	---
---	---	---	---	C163	315	C173	315	C183	309	---	---	---	---
C144	315	C154	315	---	---	C174	315	C184	190	C194	315	---	---
---	---	C155	315	---	---	C175	315	C185	300	C195	315	C205	315
C146	315	---	---	C166	315	---	---	C186	315	---	---	C206	300
C147	315	C157	315	C167	315	C177	194	C187	309	C197	294	C207	315
C148	315	C158	313	C168	194	C178	194	C188	315	C198	294	C208	293
C149	305	C159	313	C169	194	C179	194	C189	315	C199	300	C209	315
C150	315	C160	315	C170	315	C180	305	C190	308	C200	300	C210	315

CAPACITOR

SYMBOL NO.	INDEX NO.	SYMBOL NO.	INDEX NO.	SYMBOL NO.	INDEX NO.	SYMBOL NO.	INDEX NO.	SYMBOL NO.	INDEX NO.	SYMBOL NO.	INDEX NO.	SYMBOL NO.	INDEX NO.
C211	300	C221	192	C231	298	C241	306	C251	306	C261	306	---	---
C212	315	C222	192	C232	315	C242	294	C252	306	C262	315	---	---
---	---	C223	298	C233	306	C243	306	C253	315	C263	306	C273	313
C214	191	C224	298	C234	315	C244	315	C254	305	C264	315	C274	313
C215	305	C225	298	C235	305	C245	306	---	---	C265	305	C275	313
C216	305	C226	298	C236	315	C246	306	C256	192	C266	315	C276	313
C217	315	C227	298	C237	306	C247	315	C257	305	C267	305	C277	313
C218	300	C228	298	C238	315	C248	306	C258	315	C268	306	C278	306
---	---	C229	298	C239	315	C249	315	C259	313	---	---	C279	313
C220	192	C230	298	C240	189	C250	315	---	---	---	---	C280	313

21.BICU BOARD (B129)

CAPACITOR

SYMBOL NO.	INDEX NO.	SYMBOL NO.	INDEX NO.	SYMBOL NO.	INDEX NO.	SYMBOL NO.	INDEX NO.	SYMBOL NO.	INDEX NO.	SYMBOL NO.	INDEX NO.	SYMBOL NO.	INDEX NO.
C281	192	C291	313	C301	306	C311	305	C321	315	C331	313	C341	313
C282	313	C292	313	---	---	C312	313	C322	210	C332	313	C342	313
C283	306	C293	313	C303	313	C313	297	C323	313	C333	313	C343	293
C284	313	C294	313	C304	297	C314	314	C324	313	C334	313	---	---
C285	315	C295	315	C305	315	C315	293	C325	313	C335	313	C345	293
C286	313	C296	306	---	---	---	---	C326	313	C336	313	C346	293
C287	293	C297	306	C307	301	C317	313	C327	313	C337	313	C347	293
C288	306	C298	313	C308	313	C318	313	C328	313	C338	313	C348	293
C289	302	C299	306	C309	307	C319	313	C329	313	C339	313	C349	293
C290	302	C300	306	C310	315	C320	313	C330	313	C340	313	C350	294

OSC

SYMBOL NO.	INDEX NO.	SYMBOL NO.	INDEX NO.	SYMBOL NO.	INDEX NO.
C351	294	C361	294	C371	313
C352	315	C362	294	C372	315
C353	294	---	---	C373	310
C354	305	---	---	C374	310
C355	315	---	---	C375	310
C356	294	---	---	C376	310
C357	294	---	---	C377	310
C358	294	C368	313	C378	298
C359	294	C369	313	C379	305
C360	315	C370	298	---	---

CONNECTOR

SYMBOL NO.	INDEX NO.	SYMBOL NO.	INDEX NO.	SYMBOL NO.	INDEX NO.	SYMBOL NO.	INDEX NO.	SYMBOL NO.	INDEX NO.
C381	298	CN101	115	---	---	---	---	---	---
C382	303	---	---	CN112	119	---	---	CN122	101
C383	303	CN103	127	---	---	---	---	CN123	124
---	---	CN104	113	CN114	108	---	---	CN124	107
---	---	CN105	122	CN115	117	---	---	CN125	125
---	---	---	---	CN116	116	---	---	CN126	129
C387	308	CN106	109	CN117	118	---	---	CN127	120
---	---	CN107	123	---	---	---	---	CN128	120
---	---	CN108	102	CN119	103	---	---	CN129	110
---	---	CN109	106	---	---	---	---	CN130	114
---	---	CN110	105	---	---	---	---	---	---

21.BICU BOARD (B129)

CONNECTOR

SYMBOL NO.	INDEX NO.
---	---
CN132	121
---	---
---	---
---	---
CN136	110
CN137	128
CN138	130
CN139	122
CN140	111

SYMBOL NO.	INDEX NO.
CN141	112
---	---
CN143	104
---	---
---	---
---	---
CN147	126

DIODE

SYMBOL NO.	INDEX NO.
D2	144
D3	150
D4	147
D5	144
D6	144
D7	144
---	---
---	---
D10	144

FIB

SYMBOL NO.	INDEX NO.
D11	149
D12	148

FILTER

SYMBOL NO.	INDEX NO.
FIL1	196
FIL2	196
FIL3	197
FIL4	199
FIL5	199
---	---
FIL7	243
FIL8	195
FIL9	195
FIL10	195

IC

SYMBOL NO.	INDEX NO.
IC1	158
IC2	170
IC3	173
IC4	152
IC5	156
IC6	160
---	---
IC8	157
IC9	3
IC10	4

SYMBOL NO.	INDEX NO.
IC11	2
---	---
IC13	174
---	---
IC15	162
IC16	153
IC17	1
IC18	154
IC19	161
IC20	163

IC

SYMBOL NO.	INDEX NO.
---	---
IC22	169
IC23	131
IC24	318
IC25	317
IC26	316
IC27	316
IC28	168
IC29	159
IC30	155

SYMBOL NO.	INDEX NO.
---	---
IC32	165
---	---
IC34	164

LED

SYMBOL NO.	INDEX NO.
LED2	151

OSC

SYMBOL NO.	INDEX NO.
OSC1	175

Q

SYMBOL NO.	INDEX NO.
Q1	141
Q2	143
Q3	139
Q4	139
Q5	136
Q6	141
Q7	141
Q8	145
Q9	139
Q10	135

SYMBOL NO.	INDEX NO.
Q11	140
---	---
Q13	141
---	---
Q15	139
Q16	132
Q17	138
Q18	137
Q19	142
Q20	146
Q21	132

SYMBOL NO.	INDEX NO.
Q22	134
Q23	134
Q24	134
Q25	134
Q26	133
Q27	135
Q28	135
Q29	135
Q30	135
Q31	135

SYMBOL NO.	INDEX NO.
Q32	135
Q33	134
Q34	134
Q35	135
Q36	134
Q37	139
Q38	139
Q39	143

21.BICU BOARD (B129)

RESISTOR

SYMBOL NO.	INDEX NO.	SYMBOL NO.	INDEX NO.	SYMBOL NO.	INDEX NO.	SYMBOL NO.	INDEX NO.	SYMBOL NO.	INDEX NO.	SYMBOL NO.	INDEX NO.	SYMBOL NO.	INDEX NO.
R1	207	R11	221	R21	206	R31	243	R41	178	R51	223	R61	247
R2	221	R12	223	R22	223	R32	243	R42	223	R52	223	R62	244
R3	247	R13	260	R23	221	R33	243	R43	239	R53	221	R63	243
R4	221	R14	261	R24	221	R34	221	R44	223	---	---	R64	239
R5	247	R15	222	R25	223	R35	248	R45	222	R55	208	R65	179
R6	223	R16	259	R26	223	R36	243	R46	222	---	---	R66	179
R7	223	R17	247	R27	243	R37	243	R47	222	---	---	---	---
R8	221	R18	283	R28	243	R38	177	R48	223	R58	244	R68	236
R9	247	R19	177	R29	222	R39	221	R49	223	R59	223	---	---
R10	252	R20	251	R30	248	R40	223	R50	240	---	---	R70	176

RESISTOR

SYMBOL NO.	INDEX NO.	SYMBOL NO.	INDEX NO.	SYMBOL NO.	INDEX NO.	SYMBOL NO.	INDEX NO.	SYMBOL NO.	INDEX NO.	SYMBOL NO.	INDEX NO.	SYMBOL NO.	INDEX NO.
R71	176	R81	291	R91	243	R101	223	R111	288	R121	239	R131	208
R72	223	---	---	R92	224	R102	243	R112	270	R122	242	R132	208
R73	223	R83	262	R93	243	R103	223	R113	279	R123	226	R133	208
R74	233	R84	207	R94	239	R104	243	R114	243	R124	226	R134	198
R75	223	R85	207	R95	252	R105	223	R115	208	R125	226	R135	235
R76	246	R86	207	R96	208	R106	222	R116	223	R126	226	R136	244
R77	223	R87	207	R97	207	R107	223	---	---	R127	241	R137	243
R78	223	R88	289	R98	224	R108	222	---	---	R128	238	R138	244
---	---	R89	284	R99	243	R109	219	R119	239	R129	230	R139	255
---	---	R90	245	R100	252	R110	223	R120	239	R130	230	R140	243

21.BICU BOARD (B129)

RESISTOR

SYMBOL NO.	INDEX NO.	SYMBOL NO.	INDEX NO.	SYMBOL NO.	INDEX NO.	SYMBOL NO.	INDEX NO.	SYMBOL NO.	INDEX NO.	SYMBOL NO.	INDEX NO.	SYMBOL NO.	INDEX NO.
R141	222	R151	243	R161	243	R171	223	R181	243	R191	243	R201	244
R142	237	R152	208	R162	223	R172	205	R182	230	R192	208	---	---
R143	252	---	---	R163	218	R173	205	R183	230	R193	208	---	---
R144	243	R154	256	R164	223	R174	223	R184	227	R194	224	R204	221
R145	223	R155	225	R165	223	R175	221	R185	227	R195	249	---	---
R146	243	R156	239	R166	223	R176	221	R186	243	---	---	R206	246
R147	243	R157	244	R167	223	R177	221	R187	200	R197	222	---	---
R148	208	R158	252	R168	223	R178	221	R188	200	R198	243	R208	222
R149	222	R159	239	R169	221	R179	224	R189	200	R199	223	R209	222
R150	243	R160	243	R170	221	R180	243	R190	200	R200	244	R210	224

RESISTOR

SYMBOL NO.	INDEX NO.	SYMBOL NO.	INDEX NO.	SYMBOL NO.	INDEX NO.	SYMBOL NO.	INDEX NO.	SYMBOL NO.	INDEX NO.	SYMBOL NO.	INDEX NO.	SYMBOL NO.	INDEX NO.
R211	243	R221	271	R231	208	R241	222	R251	280	R261	264	R271	277
R212	223	R222	272	R232	244	R242	222	---	---	R262	208	R272	280
R213	244	R223	223	---	---	R243	222	R253	278	R263	221	R273	267
R214	222	R224	285	R234	239	R244	223	R254	274	R264	220	R274	243
R215	243	R225	208	R235	243	R245	222	R255	273	R265	221	R275	222
R216	223	R226	244	R236	243	---	---	R256	250	R266	221	---	---
R217	223	R227	221	R237	243	R247	244	R257	250	R267	276	R277	265
R218	223	R228	208	R238	223	R248	222	R258	269	R268	229	R278	239
R219	208	R229	208	R239	222	R249	222	R259	254	R269	269	---	---
R220	285	R230	208	R240	222	R250	273	R260	257	R270	285	R280	243

21.BICU BOARD (B129)

RESISTOR

SYMBOL NO.	INDEX NO.	SYMBOL NO.	INDEX NO.	SYMBOL NO.	INDEX NO.	SYMBOL NO.	INDEX NO.	SYMBOL NO.	INDEX NO.	SYMBOL NO.	INDEX NO.	SYMBOL NO.	INDEX NO.
R281	231	R291	243	---	---	R311	255	R321	243	R331	234	R341	223
R282	263	R292	208	R302	222	---	---	R322	229	R332	247	R342	247
R283	286	R293	208	R303	252	R313	223	R323	218	R333	247	R343	223
R284	286	R294	223	R304	252	R314	223	R324	223	---	---	R344	238
R285	253	---	---	R305	252	R315	223	R325	244	R335	247	R345	223
R286	220	---	---	R306	243	R316	281	R326	244	R336	247	R346	208
R287	227	---	---	R307	208	R317	223	R327	208	---	---	R347	243
R288	220	---	---	R308	235	R318	223	R328	243	R338	223	R348	208
R289	266	---	---	R309	223	R319	208	R329	243	R339	223	R349	223
R290	282	---	---	R310	244	R320	221	R330	243	R340	223	R350	223

RESISTOR

SYMBOL NO.	INDEX NO.	SYMBOL NO.	INDEX NO.	SYMBOL NO.	INDEX NO.	SYMBOL NO.	INDEX NO.	SYMBOL NO.	INDEX NO.	SYMBOL NO.	INDEX NO.	SYMBOL NO.	INDEX NO.
R351	223	R361	223	---	---	R381	239	R391	223	---	---	R411	221
R352	244	R362	243	R372	252	R382	208	R392	222	R402	223	R412	222
R353	223	R363	252	R373	252	R383	208	R393	223	R403	221	R413	245
R354	243	R364	243	R374	252	R384	208	R394	259	R404	229	R414	221
R355	255	R365	243	R375	223	R385	243	R395	275	R405	258	R415	247
R356	237	R366	208	R376	222	R386	223	R396	290	R406	232	R416	239
---	---	R367	223	R377	222	R387	243	R397	239	R407	223	R417	228
R358	243	R368	243	---	---	R388	223	R398	208	R408	224	R418	221
R359	243	---	---	---	---	R389	243	R399	223	R409	243	R419	247
R360	221	R370	223	R380	287	R390	208	R400	240	R410	223	R420	255

21.BICU BOARD (B129)

RESISTOR

SYMBOL NO.	INDEX NO.
R421	229
R422	258
R423	223
R424	222
---	---
---	---
R427	246
R428	221
---	---
---	---

SYMBOL NO.	INDEX NO.
R431	224
R432	223
---	---
R434	222
R435	222
---	---
R436	222
R437	248
R438	222
R439	223
---	---

SYMBOL NO.	INDEX NO.
R441	248
R442	222
R443	243
R444	248
R445	222
---	---
R446	239
R447	235
R448	223
R449	243
R450	223

SYMBOL NO.	INDEX NO.
R451	239
R452	235
R453	218
R454	229
R455	239
---	---
R456	235
R457	238
R458	218
R459	224
R460	223

SYMBOL NO.	INDEX NO.
R461	221
---	---
R463	207
R464	207
R465	208
---	---
R466	234
R467	231
R468	268
R469	208
R470	252

SYMBOL NO.	INDEX NO.
R471	239
R472	223
---	---
---	---
R475	208
---	---
---	---
R478	235
R479	243
R480	243
R481	243

SYMBOL NO.	INDEX NO.
R482	243
R483	232
R484	240
R485	223
---	---
R486	223

REG

SYMBOL NO.	INDEX NO.
REG1	167
REG2	172
REG3	171
REG4	166

RN

SYMBOL NO.	INDEX NO.
RN1	181
RN2	204
RN3	201
RN4	204
RN5	201
---	---
RN6	204
RN7	201
RN8	204
RN9	201
RN10	204

SYMBOL NO.	INDEX NO.
RN11	201
RN12	204
RN13	201
RN14	181
RN15	203
---	---
RN16	187
RN17	187
RN18	182
RN19	182
RN20	185

SYMBOL NO.	INDEX NO.
RN21	183
RN22	203
RN23	203
RN24	186
RN25	185
---	---
RN26	181
RN27	185
RN28	203
RN29	180
RN30	202

SYMBOL NO.	INDEX NO.
RN31	202
RN32	202
RN33	202
RN34	203
RN35	203
---	---
RN36	181
RN37	183
RN38	202
RN39	185
RN40	185

SYMBOL NO.	INDEX NO.
RN41	202
RN42	202
RN43	181
RN44	202
RN45	203
---	---
RN46	186
RN47	181
RN48	203
RN49	203
RN50	203

SYMBOL NO.	INDEX NO.
RN51	181
RN52	184
RN53	181
RN54	186
RN55	181
---	---
RN56	186
RN57	186
RN58	201
RN59	202
RN60	185

21.BICU BOARD (B129)

RN

SYMBOL NO.	INDEX NO.
RN61	201
RN62	201
RN63	202
RN64	203
RN65	203
RN66	185
RN67	203
RN68	203
RN69	184
RN70	181

SYMBOL NO.	INDEX NO.
RN71	203

21.BICU BOARD (B129)

Index No.	Part No.	Description	Q'ty Per Assembly
*	B129 5013	PCB BICU ASIA Ass'y	1
*	B129 5101	PCB BICU EXP Ass'y	1
*	B129 5104	PCB BICU CHN Ass'y	1
1	B040 5506	IC:IMAC_K:RF5C789	1
2	B121 5501	IC:SCRATCH:KS6M2U1651CBP	1
3	B121 5502	LSI:TRIO:UPD65945GD-103-LML-A	1
4	B121 5510	IC:TGLES	1

Index No.	Part No.	Description	Q'ty Per Assembly
101	1102 4202	Connector - 3P	
102	1102 4205	CT Header - 6P	
103	1102 4619	Connector - 2P	
104	1102 4621	CT Header - 4P	
105	1102 4623	CT Connector - 6P	
106	1102 4630	CT Connector	
107	1102 4631	CT Connector - 2P	
108	1102 5302	Connector - 3P	
109	1102 5306	Connector - 7P	
110	1102 6295	Connector - 2P	
111	1102 6297	Connector - 4P	
112	1102 6299	Connector - 6P	
113	1102 6304	Connector - 11P	
114	1102 6309	Connector - 2P	
115	1102 8153	Connector - FCN-568P068-G/05A-V4	
116	1102 8544	Connector 1-353297-3	
117	1102 8655	Connector - 9P 353297-9	
118	1102 8807	Connector - FFC/FPC-52045-0545	
119	1102 8808	Connector - FFC/FPC-52806-1110	
120	1102 9108	Connector - 353297-3	
121	1102 9109	Connector - 353297-4	
122	1102 9110	Connector - 353297-6	
123	1102 9111	Connector - 353297-7	
124	1102 9112	Connector - 353297-8	
125	1102 9116	Connector - 353297-5	
126	1102 9133	Connector:292206-8	
127	1102 9548	Connector - TX25-100P-8ST-H1	
128	1102 9601	Connector:5-353297-3	
129	1102 9602	Connector:5-353297-6	
130	1102 9710	Connector:5-353297-4	
131	1104 0588	DIP Socket - 28P	
132	1400 0688	Transistor -DTC143ZUA	
133	1400 0717	Transistor:2SA1226-A-E4	
134	1400 0769	Transistor - 2SA1576A	
135	1400 0775	Transistor - 2SC4081	

Index No.	Part No.	Description	Q'ty Per Assembly
136	1400 0789	Transistor - IMT17	
137	1400 0796	Transistor - UMH10N	
138	1400 0799	Transistor - 2SB1326	
139	1400 0862	Transistor - UMH9N	
140	1400 0901	Transistor - DTC144VUA	
141	1400 0918	Transistor - DTC123JUA	
142	1400 0936	Transistor - UMD3N	
143	1400 0967	Transistor - DTC123EUA	
144	1401 0821	Diode - 1SS133	
145	1401 1116	Transistor - 2SC5053	
146	1401 1175	FET:HAT1043M	
147	1402 1057	Diode ARRAY - DAP202U	
148	1402 1336	Diode - 1SS355	
149	1402 1565	Diode - RB	
150	1402 1584	Diode - DAN217U	
151	1403 0996	LED - SML-310VT	
152	1407 2219	IC - TD62003AP	
153	1407 5343	IC - SN74LV240APW	
154	1407 5353	IC - SN74LV244APW	
155	1407 5369	IC - SN74AHCT32PW	
156	1407 5374	IC - SN74LV4052APW	
157	1407 5469	IC - SN74LV07APW	
158	1407 5509	IC - SN74AHCT08PW	
159	1407 5555	IC - SN74AHCT126PW	
160	1407 5588	IC - MTD2006F	
161	1407 5886	CPU - HD6412390F20	
162	1407 5958	CMOS Logic:SN74AHCT86PW	
163	1407 5976	IC:SN74LVC2G53DCT	
164	1407 6032	IC - SN74LV161APW	
165	1407 6089	CMOS Logic:SN74AHCT1G14DCK	
166	1408 0227	Regulator - 12V	
167	1408 1290	Regulator - TA7805S	
168	1408 1550	IC - LM2902PW	
169	1408 1581	A/D Converter - ADC1175-50CIMT	
170	1408 1585	IC - STK672-310	

Index No.	Part No.	Description	Q'ty Per Assembly
171	1408 1774	Series Regulator:UPC2933AT	
172	1408 1818	Series Regulator - LM1117MP-1.8	
173	1408 1829	Operational Amplifier:LM358PW	
174	1408 1929	IC - R3112Q441A	
175	1503 0993	Crystal Oscilator - 14.7456MHZ	
176	1600 1418	Resistor - 1.0 Ω 1W	
177	1600 1684	Resistor:0.47 Ω : \pm 5%:2W	
178	1601 5442	Resistor - 220 Ω \pm 5% 2W	
179	1601 5492	Resistor - 47 Ω \pm 5% 2W	
180	1601 7751	Resistor - 4.7K Ω \pm 5%	
181	1601 7752	Resistor Array - 10K Ω \pm 5%	
182	1601 7757	Resistor 0 Ω	
183	1601 7760	Resistor Array	
184	1601 7791	Resistor Array - 1K Ω \pm 5%	
185	1601 7867	Resistor - 33 Ω \pm 5% 1/16W	
186	1601 7871	Resistor - 68 Ω \pm 5% 1/16W	
187	1601 7872	Resistor Array - 220 Ω \pm 5% 1/16W	
188	1604 4716	Capacitor:330UF: \pm 20%:35V	
189	1605 0976	Capacitor - 1 μ F+80% -20% 10V	
190	1605 1148	Capacitor - 0.1 μ F+80-20% 50V	
191	1605 1176	Ceramic Capacitor 0.47 μ F+80-20%16V	
192	1605 1190	Ceramic Capacitor - 0.022 μ F \pm 10% 50V	
193	1605 1281	Capacitor - 0.22 μ F \pm 10% 16V	
194	1605 1353	Capacitor - 0.1 μ F \pm 10% 25V	
195	1607 0824	Filter - BLM11A601SPB	
196	1607 1013	EMI Filter-BLM11A102SPB	
197	1607 1014	EMI Filter - BLM11P600SPB	
198	1607 1142	Filter-BLM11B121SBPB	
199	1607 1342	Filter - BLM18BD121SN1B	
200	1607 1387	Filter - BLM18BB600SN1B	
201	1609 0005	Registor:33 Ω : \pm 5%:1/16W	
202	1609 0006	Registor:10k Ω : \pm 5%:1/16W	
203	1609 0007	Registor - 68 Ω \pm 5% 1/16W	
204	1609 0027	Registor - 100K Ω \pm 5% 1/16W	
205	1611 8181	Registor:180 Ω : \pm 5%:1/4W	

Index No.	Part No.	Description	Q'ty Per Assembly
206	1611 8510	Resistor 51Ω ±5% 1/4W	
207	1633 0000	Resistor - 0 Ω 1/10W	
208	1634 0000	Resistor - 0 Ω 1/16W	
209	1642 0101	Capacitor - 100μF±20% 50V	
210	1642 0220	Capacitor:22UF:±20%:10V	
211	1642 0470	Capacitor - 47μF±20% 10V	
212	1642 1470	Capacitor - 47μF±20% 10V	
213	1642 2470	Capacitor - 47μF±20% 25V	
214	1642 3330	Capacitor:33UF:±20%:35V	
215	1642 3470	Capacitor - 47μF±20% 35V	
216	1642 5100	Capacitor - 10μF±20% 50V	
217	1642 5220	Capacitor - 22μF±20% 50V	
218	1650 3101	Resistor - 100Ω±5%1/8W	
219	1650 3102	Resistor:1KΩ:±5%:1/8W:2125	
220	1650 4100	Resistor - 10Ω ±5% 1/10W	
221	1650 4101	Resistor - 100Ω±5%1/10W	
222	1650 4102	Resistor - 1KΩ ±5% 1/10W	
223	1650 4103	Resistor - 10KΩ ±5% 1/10W	
224	1650 4104	Resistor - 100KΩ±5%1/10W	
225	1650 4105	Resistor - 1MΩ ±5% 1/10W	
226	1650 4111	Chip Resistor:110KΩ:±5%:1/10W	
227	1650 4121	Resistor - 120Ω±5%1/10W	
228	1650 4122	Resistor - 1.2KΩ ±5% 1/10W	
229	1650 4123	Resistor - 12KΩ±5%1/10W	
230	1650 4151	Resistor - 150Ω ±5%1/10W	
231	1650 4152	Resistor - 1.5KΩ ±5% 1/10W	
232	1650 4153	Resistor - 15K Ω ±5% 1/10W	
233	1650 4163	Resistor 16KΩ ±5% 1/10W 1608	
234	1650 4181	Resistor - 180Ω±5%1/10W	
235	1650 4201	Resistor - 200Ω±5%1/10W	
236	1650 4202	Resistor - 2KΩ±5%1/10W	
237	1650 4203	Resistor - 20KΩ ±5% 1/10W	
238	1650 4221	Resistor - 220Ω±5%1/10W	
239	1650 4222	Resistor - 2.2KΩ±5%1/10W	
240	1650 4243	Resistor - 24KΩ±5%1/10W	

Index No.	Part No.	Description	Q'ty Per Assembly
241	1650 4271	Resistor - 270Ω±5%1/10W	
242	1650 4301	Chip Resistor:300KΩ:±5%:1/10W	
243	1650 4330	Chip Resistor - 33Ω ±5% 1/10W	
244	1650 4331	Resistor - 330Ω±5%1/10W	
245	1650 4332	Resistor - 3.3KΩ±5%1/10W	
246	1650 4471	Resistor - 470Ω±5%1/10W	
247	1650 4472	Resistor - 4.7KΩ ±5% 1/10W	
248	1650 4473	Resistor - 47KΩ±5%1/10W	
249	1650 4511	Resistor - 510Ω±5%1/10W	
250	1650 4561	Resistor - 560Ω ±5% 1/10W	
251	1650 4624	Resistor - 620KΩ ±5% 1/10W	
252	1650 4680	Resistor - 68Ω±5%1/10W	
253	1650 4681	Resistor - 680Ω ±5% 1/10W	
254	1650 4682	Resistor - 6.8KΩ ±5% 1/10W	
255	1650 4750	Resistor - 75Ω±5%1/10W	
256	1650 4821	Chip Resistor - 820Ω ±5% 1/10W	
257	1650 4822	Chip Resistor:8.2KΩ:±5%:1/10W	
258	1650 4913	Resistor - 91KΩ±5%1/10W	
259	1654 1000	Resistor - 100Ω ±1% 1/10W	
260	1654 1002	Resistor - 10KΩ±5%1/10W	
261	1654 1003	Resistor - 100KΩ±1%1/10W	
262	1654 1021	Resistor - 1.02KΩ±1%1/10W	
263	1654 1100	Resistor - 110Ω±1% 1/10W	
264	1654 1302	Chip Resistor:13KΩ:±1%:1/10W:1608	
265	1654 1500	Resistor - 150Ω±1 %1/10W	
266	1654 1501	Resistor - 1.5K Ω ±1% 1/10W 1608	
267	1654 1802	Resistor - 18KΩ±1%1/10W	
268	1654 1803	Resistor - 180KΩ±1%1/10W	
269	1654 2002	Resistor - 20KΩ±1%1/10W	
270	1654 2100	Chip Resistor:210oh:±1%:1/10W:1608	
271	1654 2200	Resistor:220Ω:±1%:1/10W:1608	
272	1654 2400	Resistor:240:Ω±1%:1/10W	
273	1654 2402	Chip Resistor:24KΩ:±1%:1/10W	
274	1654 2403	Chip Resistor:240KΩ:±1%:1/10W:1608	
275	1654 2551	Resistor - 2.55KΩ ±1% 1/10W	

Index No.	Part No.	Description	Q'ty Per Assembly
276	1654 2701	Resistor - 2.7K Ω \pm 1% 1/10W	
277	1654 2702	Resistor - 27K Ω \pm 1%1/10W	
278	1654 3002	Resistor - 30K Ω \pm 1%1/10W	
279	1654 3160	Resistor:316 Ω : \pm 1%:1/10W:1608	
280	1654 3302	Chip Resistor:33K Ω : \pm 1%:1/10W:1608	
281	1654 3740	Chip Resistor:374 Ω : \pm 1%:1/10W:1608	
282	1654 3900	Resistor:390 Ω : \pm 1%:1/10W	
283	1654 4220	Resistor - 422 Ω \pm 1% 1/10W	
284	1654 4700	Resistor - 470 Ω \pm 1%1/10W	
285	1654 5600	Resistor - 560 Ω \pm 1% 1/10W	
286	1654 6800	Resistor - 680 Ω \pm 1% 1/10W	
287	1654 6981	Resistor - 6.98K Ω \pm 1% 1/10W	
288	1654 7509	Resistor - 75 Ω \pm 1% 1/10W	
289	1654 8209	Resistor - 82 Ω \pm 1% 1/10W	
290	1654 9101	Resistor:9.1K Ω : \pm 1%:1/10W	
291	1654 9310	Resistor:931 Ω : \pm 1%:1/10W:1608	
292	1660 0100	Capacitor - 10PF \pm 0.5pF 50V	
293	1660 2101	Capacitor - 100pF - \pm 10% - 50V	
294	1660 2120	Capacitor - 12 pF \pm 5% 50V	
295	1660 2150	Capacitor - 15pF \pm 5% 50V	
296	1660 2151	Capacitor - 150pF \pm 20% 35V	
297	1660 2181	Capacitor - 180pF \pm 5% 50V	
298	1660 2220	Capacitor - 22pF \pm 20% 35V	
299	1660 2221	Capacitor - 220pF +80-20% 50V	
300	1660 2270	Capacitor - 27pF \pm 20% 35V	
301	1660 2271	Capacitor - 270pF - +80-20% - 50V	
302	1660 2330	Capacitor - 33pF - \pm 5% - 50V	
303	1660 2390	Ceramic Capacitor - 39pF 50V	
304	1660 2391	Capacitor - 390pF \pm 5% 50V	
305	1660 2470	Capacitor - 47pF \pm 5% 50V	
306	1660 2471	Capacitor - 470pF - \pm 5% - 50V	
307	1660 2820	Capacitor - 82pF \pm 5% 50V	
308	1660 4102	Capacitor - 1000pF \pm 10% 50V	
309	1660 4103	Capacitor - 10000pF - \pm 10% - 50V	
310	1660 4152	Capacitor - 1500pF \pm 10% 50V	

Index No.	Part No.	Description	Q'ty Per Assembly
311	1660 4222	Capacitor - 2200pF - \pm 10% - 50V	
312	1660 4332	Capacitor - 3300pF - \pm 10% - 50V	
313	1660 6103	Capacitor - 10000pF - +80%-20%50V	
314	1660 6473	Capacitor - 47000pF +80,-20% 50V	
315	1660 8104	Capacitor - 0.1 μ F+80-20% 25V	
316	1902 0068	SRAM:1M:X8:TSOP:G4	
317	1906 0018	Flash Memory - MBM29F160BE70TN	
318	1907 0031	SDRAM:128M:2MX16X4:133MHZ:G3	

22.BICU BOARD (B130/B168/B169)

CAPACITOR

SYMBOL NO.	INDEX NO.	SYMBOL NO.	INDEX NO.	SYMBOL NO.	INDEX NO.	SYMBOL NO.	INDEX NO.	SYMBOL NO.	INDEX NO.	SYMBOL NO.	INDEX NO.		
C1	302	C11	313	---	---	C31	303	C41	313	C51	313	C61	293
C2	302	C12	186	---	---	C32	214	C42	208	C52	209	C62	298
C3	313	C13	304	C23	304	C33	213	C43	313	C53	207	C63	290
C4	313	C14	313	C24	304	C34	212	C44	210	C54	313	C64	298
C5	306	C15	291	C25	304	C35	313	C45	303	---	---	C65	290
C6	294	C16	304	C26	311	C36	213	C46	303	C56	313	C66	298
C7	304	C17	186	C27	294	C37	207	C47	303	C57	190	C67	298
C8	297	C18	313	C28	313	C38	310	C48	311	---	---	C68	296
C9	309	C19	294	C29	313	C39	304	C49	313	C59	293	C69	296
---	---	C20	291	C30	304	C40	304	---	---	C60	293	C70	296

CAPACITOR

SYMBOL NO.	INDEX NO.	SYMBOL NO.	INDEX NO.	SYMBOL NO.	INDEX NO.	SYMBOL NO.	INDEX NO.	SYMBOL NO.	INDEX NO.	SYMBOL NO.	INDEX NO.	SYMBOL NO.	INDEX NO.
C71	296	---	---	C91	291	---	---	---	---	C121	221	C131	313
C72	296	C82	313	C92	313	C102	313	---	---	C122	221	C132	298
C73	296	C83	187	---	---	---	---	---	---	C123	221	C133	303
C74	296	C84	303	C94	313	---	---	---	---	C124	303	C134	191
C75	296	---	---	C95	313	C105	293	---	---	C125	303	C135	313
C76	296	---	---	---	---	C106	313	---	---	C126	303	C136	313
---	---	C87	298	C97	313	---	---	C117	313	C127	303	C137	306
C78	304	C88	298	C98	294	C108	291	C118	298	C128	313	C138	307
---	---	C89	303	C99	294	C109	209	C119	297	---	---	C139	215
---	---	C90	303	C100	313	C110	313	C120	221	---	---	C140	290

22.BICU BOARD (B130/B168/B169)

CAPACITOR

SYMBOL NO.	INDEX NO.	SYMBOL NO.	INDEX NO.	SYMBOL NO.	INDEX NO.	SYMBOL NO.	INDEX NO.	SYMBOL NO.	INDEX NO.	SYMBOL NO.	INDEX NO.	SYMBOL NO.	INDEX NO.
C141	290	---	---	C161	303	C171	307	C181	313	C189	313	C200	298
C142	211	C152	209	C162	311	C172	307	C182	306	C190	306	---	---
---	---	---	---	C163	313	C173	313	C183	307	C191	306	---	---
C144	313	---	---	---	---	---	---	C184	188	---	---	---	---
---	---	---	---	---	---	---	---	C185	313	---	---	---	---
C146	313	---	---	C166	313	---	---	C185	298	---	---	C205	313
C147	313	---	---	C167	313	C177	192	---	---	C195	313	C206	298
---	---	C158	311	C168	192	C178	192	---	---	---	---	C207	313
---	---	C159	311	C169	192	C179	192	C187	307	C197	292	C208	291
---	---	C160	313	C170	313	C180	303	C188	313	C198	292	---	---
										C199	298	C210	313

CAPACITOR

SYMBOL NO.	INDEX NO.	SYMBOL NO.	INDEX NO.	SYMBOL NO.	INDEX NO.	SYMBOL NO.	INDEX NO.	SYMBOL NO.	INDEX NO.	SYMBOL NO.	INDEX NO.	SYMBOL NO.	INDEX NO.
C211	298	C221	190	C231	296	C241	304	C251	304	C261	304	---	---
C212	313	C222	190	C232	313	C242	292	C252	304	C262	313	---	---
---	---	C223	296	C233	304	C243	304	C253	313	C263	304	C273	311
C214	189	C224	296	C234	313	C244	313	C254	303	C264	313	C274	311
C215	303	C225	296	---	---	C245	304	---	---	C265	303	C275	311
C216	303	C226	296	C236	313	C246	304	C256	190	C266	313	C276	311
C217	313	C227	296	C237	304	C247	313	C257	303	C267	303	C277	311
C218	298	C228	296	C238	313	C248	304	C258	313	C268	304	C278	304
---	---	C229	296	C239	313	C249	313	C259	311	---	---	C279	311
C220	190	C230	296	C240	187	C250	313	---	---	---	---	C280	311

22.BICU BOARD (B130/B168/B169)

CAPACITOR

SYMBOL NO.	INDEX NO.	SYMBOL NO.	INDEX NO.	SYMBOL NO.	INDEX NO.	SYMBOL NO.	INDEX NO.	SYMBOL NO.	INDEX NO.	SYMBOL NO.	INDEX NO.	SYMBOL NO.	INDEX NO.
C281	190	C291	311	C301	304	C311	303	C321	313	C331	311	C341	311
C282	311	C292	311	---	---	C312	311	C322	208	C332	311	C342	311
C283	304	C293	311	C303	311	C313	295	C323	311	C333	311	C343	291
C284	311	C294	311	C304	295	C314	312	C324	311	C334	311	---	---
C285	313	C295	313	C305	313	C315	291	C325	311	C335	311	C345	291
C286	311	C296	304	---	---	---	---	C326	311	C336	311	C346	291
C287	291	C297	304	C307	299	C317	311	C327	311	C337	311	C347	291
C288	304	C298	311	C308	311	C318	311	C328	311	C338	311	C348	291
C289	300	C299	304	C309	305	C319	311	C329	311	C339	311	C349	291
C290	300	C300	304	C310	313	C320	311	C330	311	C340	311	C350	292

CAPACITOR

SYMBOL NO.	INDEX NO.	SYMBOL NO.	INDEX NO.	SYMBOL NO.	INDEX NO.
C351	292	---	---	C371	311
C352	313	---	---	C372	313
C353	292	---	---	C373	308
C354	303	---	---	C374	308
C355	313	---	---	C375	308
C356	292	---	---	C376	308
C357	292	---	---	C377	308
C358	292	C368	311	C378	296
C359	292	C369	311	C379	303
C360	313	C370	296	---	---

CONNECTOR

SYMBOL NO.	INDEX NO.	SYMBOL NO.	INDEX NO.	SYMBOL NO.	INDEX NO.	SYMBOL NO.	INDEX NO.	SYMBOL NO.	INDEX NO.
C381	296	CN101	115	---	---	---	---	---	---
C382	301	---	---	CN102	115	CN112	119	CN122	101
C383	301	CN103	127	---	---	---	---	CN123	124
---	---	CN104	113	CN105	122	CN114	108	CN124	107
---	---	---	---	---	---	CN115	117	CN125	125
---	---	CN106	109	CN107	123	CN116	116	CN126	129
C387	306	CN108	102	---	---	CN117	118	CN127	120
---	---	CN109	106	CN118	118	---	---	CN128	120
---	---	CN110	105	---	---	CN119	103	CN129	110
---	---	---	---	---	---	---	---	CN130	114

22.BICU BOARD (B130/B168/B169)

CONNECTOR

SYMBOL NO.	INDEX NO.
---	---
CN132	121
---	---
---	---
---	---
CN136	110
CN137	128
CN138	130
CN139	122
CN140	111

SYMBOL NO.	INDEX NO.
CN141	112
---	---
CN143	104
---	---
---	---
---	---
CN147	126

DIODE

SYMBOL NO.	INDEX NO.
D2	143
D3	149
D4	146
D5	143
D6	143
D7	143
---	---
---	---
D10	143

SYMBOL NO.	INDEX NO.
D11	148
D12	147

FILTER

SYMBOL NO.	INDEX NO.
FIL1	194
FIL2	194
FIL3	195
FIL4	197
FIL5	197
---	---
FIL7	241
FIL8	193
FIL9	193
FIL10	193

IC

SYMBOL NO.	INDEX NO.
IC1	157
IC2	168
IC3	171
IC4	151
IC5	155
IC6	158
---	---
IC8	156
IC9	2
IC10	3

SYMBOL NO.	INDEX NO.
IC11	1
---	---
IC13	172
---	---
IC15	160
IC16	152
---	---
IC18	153
IC19	159
IC20	161

IC

SYMBOL NO.	INDEX NO.
---	---
IC22	167
---	---
---	---
IC25	315
IC26	314
IC27	314
IC28	166
---	---
IC30	154

SYMBOL NO.	INDEX NO.
---	---
IC32	163
---	---
IC34	162

LED

SYMBOL NO.	INDEX NO.
LED2	150

SYMBOL NO.	INDEX NO.
OSC1	173

Q

SYMBOL NO.	INDEX NO.
Q1	140
Q2	142
Q3	138
Q4	138
Q5	135
Q6	140
Q7	140
Q8	144
Q9	138
Q10	134

SYMBOL NO.	INDEX NO.
Q11	139
---	---
Q13	140
---	---
Q15	138
Q16	131
Q17	137
Q18	136
Q19	141
Q20	145
Q21	131

SYMBOL NO.	INDEX NO.
Q22	133
Q23	133
Q24	133
Q25	133
Q26	132
Q27	134
Q28	134
Q29	134
Q30	134
Q31	134

SYMBOL NO.	INDEX NO.
Q32	134
Q33	133
Q34	133
Q35	134
Q36	133
Q37	138
Q38	138
Q39	142

22.BICU BOARD (B130/B168/B169)

RESISTOR

SYMBOL NO.	INDEX NO.	SYMBOL NO.	INDEX NO.	SYMBOL NO.	INDEX NO.	SYMBOL NO.	INDEX NO.	SYMBOL NO.	INDEX NO.	SYMBOL NO.	INDEX NO.	SYMBOL NO.	INDEX NO.
R1	205	R11	219	R21	204	R31	241	R41	176	R51	221	R61	245
R2	219	R12	221	R22	221	R32	241	R42	221	R52	221	R62	242
R3	245	R13	258	R23	219	R33	241	R43	237	R53	219	R63	241
R4	219	R14	259	R24	219	R34	219	R44	221	---	---	R64	237
R5	245	R15	220	R25	221	R35	246	R45	220	R55	206	R65	177
R6	221	R16	257	R26	221	R36	241	R46	220	---	---	R66	177
R7	221	R17	245	R27	241	R37	241	R47	220	---	---	---	---
R8	219	R18	281	R28	241	R38	175	R48	221	R58	242	R68	234
R9	245	R19	175	R29	220	R39	219	R49	221	R59	221	---	---
R10	250	R20	249	R30	246	R40	221	R50	238	---	---	R70	174

RESISTOR

SYMBOL NO.	INDEX NO.	SYMBOL NO.	INDEX NO.	SYMBOL NO.	INDEX NO.	SYMBOL NO.	INDEX NO.	SYMBOL NO.	INDEX NO.	SYMBOL NO.	INDEX NO.	SYMBOL NO.	INDEX NO.
R71	174	R81	289	R91	241	R101	221	R111	286	R121	237	R131	206
R72	221	---	---	R92	222	R102	241	R112	268	R122	240	R132	206
R73	221	R83	260	R93	241	R103	221	R113	277	R123	224	R133	206
R74	231	R84	205	R94	237	R104	241	R114	241	R124	224	R134	196
R75	221	R85	205	R95	250	R105	221	R115	206	R125	224	R135	233
R76	244	R86	205	R96	206	R106	220	R116	221	R126	224	---	---
R77	221	R87	205	R97	205	R107	221	---	---	R127	239	R137	241
R78	221	R88	287	R98	222	R108	220	---	---	R128	236	---	---
---	---	R89	282	R99	241	R109	217	R119	237	R129	228	R139	253
---	---	R90	243	R100	250	R110	221	R120	237	R130	228	R140	241

22.BICU BOARD (B130/B168/B169)

RESISTOR

SYMBOL NO.	INDEX NO.	SYMBOL NO.	INDEX NO.	SYMBOL NO.	INDEX NO.	SYMBOL NO.	INDEX NO.	SYMBOL NO.	INDEX NO.	SYMBOL NO.	INDEX NO.	SYMBOL NO.	INDEX NO.
R141	220	R151	241	R161	241	R171	221	R181	241	R191	241	---	---
R142	235	R152	206	R162	221	R172	203	R182	228	R192	206	---	---
---	---	---	---	R163	216	R173	203	R183	228	R193	206	---	---
R144	241	R154	254	R164	221	R174	221	R184	225	R194	222	R204	219
R145	221	R155	223	R165	221	R175	219	R185	225	R195	247	---	---
R146	241	R156	237	R166	221	R176	219	R186	241	---	---	R206	244
R147	241	R157	242	R167	221	R177	219	R187	198	R197	220	---	---
R148	206	R158	250	R168	221	R178	219	R188	198	---	---	---	---
R149	220	R159	237	R169	219	R179	222	R189	198	---	---	R209	220
R150	241	R160	241	R170	219	R180	241	R190	198	---	---	R210	222

RESISTOR

SYMBOL NO.	INDEX NO.	SYMBOL NO.	INDEX NO.	SYMBOL NO.	INDEX NO.	SYMBOL NO.	INDEX NO.	SYMBOL NO.	INDEX NO.	SYMBOL NO.	INDEX NO.	SYMBOL NO.	INDEX NO.
R211	241	R221	269	R231	206	R241	220	R251	278	R261	262	R271	275
R212	221	R222	270	---	---	R242	220	---	---	R262	206	R272	278
R213	242	R223	221	---	---	R243	220	R253	276	R263	219	R273	265
R214	220	R224	283	R234	237	R244	221	R254	272	R264	218	---	---
R215	241	R225	206	---	---	R245	220	R255	271	R265	219	---	---
R216	221	R226	242	---	---	---	---	R256	248	R266	219	---	---
R217	221	R227	219	---	---	R247	242	R257	248	R267	274	R277	263
R218	221	R228	206	---	---	R248	220	R258	267	R268	227	---	---
R219	206	R229	206	R239	220	R249	220	R259	252	R269	267	---	---
R220	283	R230	206	R240	220	R250	271	R260	255	R270	283	R280	241

22.BICU BOARD (B130/B168/B169)

RESISTOR

SYMBOL NO.	INDEX NO.	SYMBOL NO.	INDEX NO.	SYMBOL NO.	INDEX NO.	SYMBOL NO.	INDEX NO.	SYMBOL NO.	INDEX NO.	SYMBOL NO.	INDEX NO.	SYMBOL NO.	INDEX NO.
R281	229	R291	241	---	---	R311	253	R321	241	R331	232	R341	221
R282	261	R292	206	R302	220	R312	220	R322	227	R332	245	R342	245
R283	284	R293	206	R303	250	R313	221	R323	216	R333	245	R343	221
R284	284	R294	221	R304	250	R314	221	R324	221	---	---	R344	236
R285	251	---	---	R305	250	R315	221	R325	242	R335	245	R345	221
R286	218	---	---	R306	241	R316	279	R326	242	R336	245	R346	206
R287	225	---	---	R307	206	R317	221	R327	206	---	---	R347	241
R288	218	---	---	R308	233	R318	221	R328	241	R338	221	R348	206
R289	264	---	---	R309	221	R319	206	R329	241	R339	221	R349	221
R290	280	---	---	R310	242	R320	219	R330	241	R340	221	R350	221

RESISTOR

SYMBOL NO.	INDEX NO.	SYMBOL NO.	INDEX NO.	SYMBOL NO.	INDEX NO.	SYMBOL NO.	INDEX NO.	SYMBOL NO.	INDEX NO.	SYMBOL NO.	INDEX NO.	SYMBOL NO.	INDEX NO.
R351	221	R361	221	---	---	R381	237	R391	221	---	---	R411	219
---	---	R362	241	R372	250	R382	206	R392	220	R402	221	R412	220
R353	221	R363	250	R373	250	R383	206	R393	221	R403	219	R413	243
R354	241	R364	241	R374	250	R384	206	R394	257	R404	227	R414	219
R355	253	R365	241	R375	221	R385	241	R395	273	R405	256	R415	245
R356	235	R366	206	R376	220	R386	221	R396	288	R406	230	R416	237
---	---	R367	221	R377	220	R387	241	R397	237	R407	221	R417	226
R358	241	R368	241	R378	237	R388	221	R398	206	R408	222	R418	219
R359	241	---	---	---	---	R389	241	R399	221	R409	241	R419	245
R360	219	R370	221	R380	285	R390	206	R400	238	R410	221	R420	253

22.BICU BOARD (B130/B168/B169)

RESISTOR

SYMBOL NO.	INDEX NO.	SYMBOL NO.	INDEX NO.	SYMBOL NO.	INDEX NO.	SYMBOL NO.	INDEX NO.	SYMBOL NO.	INDEX NO.	SYMBOL NO.	INDEX NO.	SYMBOL NO.	INDEX NO.
R421	227	R431	222	R441	246	R451	237	R461	219	R471	237	R482	241
R422	256	R432	221	R442	220	R452	233	---	---	R472	221	R483	230
R423	221	---	---	R443	241	R453	216	R463	205	---	---	R484	238
R424	220	R434	220	R444	246	R454	227	R464	205	---	---	R485	221
---	---	R435	220	R445	220	R455	237	R465	206	R475	206	---	---
---	---	R436	220	R446	237	R456	233	R466	232	---	---	R486	221
R427	244	R437	246	R447	233	R457	236	R467	229	R478	233	---	---
R428	219	R438	220	R448	221	R458	216	R468	266	R479	241	---	---
---	---	R439	221	R449	241	R459	222	R469	206	R480	241	---	---
---	---	---	---	R450	221	R460	221	R470	250	R481	241	---	---

REG

SYMBOL NO.	INDEX NO.
REG1	165
REG2	170
REG3	169
REG4	164

RN

SYMBOL NO.	INDEX NO.	SYMBOL NO.	INDEX NO.	SYMBOL NO.	INDEX NO.	SYMBOL NO.	INDEX NO.	SYMBOL NO.	INDEX NO.	SYMBOL NO.	INDEX NO.	SYMBOL NO.	INDEX NO.
RN1	179	RN11	199	RN21	181	RN31	200	RN41	200	RN51	179	RN61	179
RN2	202	RN12	202	RN22	201	RN32	200	RN42	200	RN52	182	RN62	182
RN3	199	RN13	199	---	---	RN33	200	---	---	RN53	179	RN63	179
RN4	202	RN14	179	---	---	RN34	201	---	---	RN54	184	RN64	184
RN5	199	RN15	201	---	---	RN35	201	---	---	RN55	179	RN65	179
RN6	202	RN16	185	---	---	RN36	179	---	---	RN56	184	RN66	184
RN7	199	RN17	185	RN27	183	RN37	181	---	---	RN57	184	---	---
RN8	202	RN18	180	RN28	201	RN38	200	RN48	201	---	---	---	---
RN9	199	RN19	180	RN29	178	RN39	183	RN49	201	---	---	---	---
RN10	202	RN20	183	RN30	200	RN40	183	RN50	201	---	---	---	---

22.BICU BOARD (B130/B168/B169)

RN

SYMBOL NO.	INDEX NO.
---	---
---	---
---	---
RN64	201
RN65	201
---	---
RN67	201
RN68	201
RN69	182
RN70	179

22.BICU BOARD (B130/B168/B169)

Index No.	Part No.	Description	Q'ty Per Assembly
*	B130 5101	PCB BICU MFP EXP Ass'y	1
*	B130 5103	PCB BICU MFP ASIA Ass'y	1
*	B130 5104	PCB BICU MFP CHN Ass'y	1
1	B121 5501	IC:SCRATCH:KS6M2U1651CBP	1
2	B121 5502	LSI:TRIO:UPD65945GD-103-LML-A	1
3	B121 5510	IC:TGLES	1

Index No.	Part No.	Description	Q'ty Per Assembly
101	1102 4202	Connector - 3P	
102	1102 4205	CT Header - 6P	
103	1102 4619	Connector - 2P	
104	1102 4621	CT Header - 4P	
105	1102 4623	CT Connector - 6P	
106	1102 4630	CT Connector	
107	1102 4631	CT Connector - 2P	
108	1102 5302	Connector - 3P	
109	1102 5306	Connector - 7P	
110	1102 6295	Connector - 2P	
111	1102 6297	Connector - 4P	
112	1102 6299	Connector - 6P	
113	1102 6304	Connector - 11P	
114	1102 6309	Connector - 2P	
115	1102 8153	Connector - FCN-568P068-G/05A-V4	
116	1102 8544	Connector 1-353297-3	
117	1102 8655	Connector - 9P 353297-9	
118	1102 8807	Connector - FFC/FPC-52045-0545	
119	1102 8808	Connector - FFC/FPC-52806-1110	
120	1102 9108	Connector - 353297-3	
121	1102 9109	Connector - 353297-4	
122	1102 9110	Connector - 353297-6	
123	1102 9111	Connector - 353297-7	
124	1102 9112	Connector - 353297-8	
125	1102 9116	Connector - 353297-5	
126	1102 9133	Connector:292206-8	
127	1102 9548	Connector - TX25-100P-8ST-H1	
128	1102 9601	Connector:5-353297-3	
129	1102 9602	Connector:5-353297-6	
130	1102 9710	Connector:5-353297-4	
131	1400 0688	Transistor -DTC143ZUA	
132	1400 0717	Transistor:2SA1226-A-E4	
133	1400 0769	Transistor - 2SA1576A	
134	1400 0775	Transistor - 2SC4081	
135	1400 0789	Transistor - IMT17	

Index No.	Part No.	Description	Q'ty Per Assembly
136	1400 0796	Transistor - UMH10N	
137	1400 0799	Transistor - 2SB1326	
138	1400 0862	Transistor - UMH9N	
139	1400 0901	Transistor - DTC144VUA	
140	1400 0918	Transistor - DTC123JUA	
141	1400 0936	Transistor - UMD3N	
142	1400 0967	Transistor - DTC123EUA	
143	1401 0821	Diode - 1SS133	
144	1401 1116	Transistor - 2SC5053	
145	1401 1175	FET:HAT1043M	
146	1402 1057	Diode ARRAY - DAP202U	
147	1402 1336	Diode - 1SS355	
148	1402 1565	Diode - RB	
149	1402 1584	Diode - DAN217U	
150	1403 0996	LED - SML-310VT	
151	1407 2219	IC - TD62003AP	
152	1407 5343	IC - SN74LV240APW	
153	1407 5353	IC - SN74LV244APW	
154	1407 5369	IC - SN74AHCT32PW	
155	1407 5374	IC - SN74LV4052APW	
156	1407 5469	IC - SN74LV07APW	
157	1407 5509	IC - SN74AHCT08PW	
158	1407 5588	IC - MTD2006F	
159	1407 5886	CPU - HD6412390F20	
160	1407 5958	CMOS Logic:SN74AHCT86PW	
161	1407 5976	IC:SN74LVC2G53DCT	
162	1407 6032	IC - SN74LV161APW	
163	1407 6089	CMOS Logic:SN74AHCT1G14DCK	
164	1408 0227	Regulator - 12V	
165	1408 1290	Regulator - TA7805S	
166	1408 1550	IC - LM2902PW	
167	1408 1581	A/D Converter - ADC1175-50CIMT	
168	1408 1585	IC - STK672-310	
169	1408 1774	Series Regulator:UPC2933AT	
170	1408 1818	Series Regulator - LM1117MP-1.8	

Index No.	Part No.	Description	Q'ty Per Assembly
171	1408 1829	Operational Amplifier:LM358PW	
172	1408 1929	IC - R3112Q441A	
173	1503 0993	Crystal Oscilator - 14.7456MHZ	
174	1600 1418	Resistor - 1.0Ω 1W	
175	1600 1684	Resistor:0.47 Ω:±5%:2W	
176	1601 5442	Resistor - 220Ω ±5% 2W	
177	1601 5492	Resistor - 47Ω ±5% 2W	
178	1601 7751	Resistor - 4.7KΩ ±5%	
179	1601 7752	Resistor Array - 10K Ω ±5%	
180	1601 7757	Resistor 0Ω	
181	1601 7760	Resistor Array	
182	1601 7791	Resistor Array - 1K Ω ±5%	
183	1601 7867	Resistor - 33 Ω ±5% 1/16W	
184	1601 7871	Resistor - 68Ω ±5% 1/16W	
185	1601 7872	Resistor Array - 220 Ω ±5% 1/16W	
186	1604 4716	Capacitor:330UF:±20%:35V	
187	1605 0976	Capacitor - 1μF+80% -20% 10V	
188	1605 1148	Capacitor - 0.1μF+80-20% 50V	
189	1605 1176	Ceramic Capacitor 0.47μF+80-20%16V	
190	1605 1190	Ceramic Capacitor - 0.022μF±10% 50V	
191	1605 1281	Capacitor - 0.22μF±10% 16V	
192	1605 1353	Capacitor - 0.1μF±10% 25V	
193	1607 0824	Filter - BLM11A601SPB	
194	1607 1013	EMI Filter-BLM11A102SPB	
195	1607 1014	EMI Filter - BLM11P600SPB	
196	1607 1142	Filter-BLM11B121SBPB	
197	1607 1342	Filter - BLM18BD121SN1B	
198	1607 1387	Filter - BLM18BB600SN1B	
199	1609 0005	Registor:33 Ω:±5%:1/16W	
200	1609 0006	Registor:10k Ω:±5%:1/16W	
201	1609 0007	Registor - 68Ω ±5% 1/16W	
202	1609 0027	Registor - 100KΩ±5% 1/16W	
203	1611 8181	Registor:180 Ω:±5%:1/4W	
204	1611 8510	Registor 51Ω ±5% 1/4W	
205	1633 0000	Registor - 0 Ω 1/10W	

Index No.	Part No.	Description	Q'ty Per Assembly
206	1634 0000	Resistor - 0 Ω 1/16W	
207	1642 0101	Capacitor - 100 μ F \pm 20% 50V	
208	1642 0220	Capacitor:22UF: \pm 20%:10V	
209	1642 0470	Capacitor - 47 μ F \pm 20% 10V	
210	1642 1470	Capacitor - 47 μ F \pm 20% 10V	
211	1642 2470	Capacitor - 47 μ F \pm 20% 25V	
212	1642 3330	Capacitor:33UF: \pm 20%:35V	
213	1642 3470	Capacitor - 47 μ F \pm 20% 35V	
214	1642 5100	Capacitor - 10 μ F \pm 20% 50V	
215	1642 5220	Capacitor - 22 μ F \pm 20% 50V	
216	1650 3101	Resistor - 100 Ω \pm 5%1/8W	
217	1650 3102	Resistor:1K Ω : \pm 5%:1/8W:2125	
218	1650 4100	Resistor - 10 Ω \pm 5% 1/10W	
219	1650 4101	Resistor - 100 Ω \pm 5%1/10W	
220	1650 4102	Resistor - 1K Ω \pm 5% 1/10W	
221	1650 4103	Resistor - 10K Ω \pm 5% 1/10W	
222	1650 4104	Resistor - 100K Ω \pm 5%1/10W	
223	1650 4105	Resistor - 1M Ω \pm 5% 1/10W	
224	1650 4111	Chip Resistor:110K Ω : \pm 5%:1/10W	
225	1650 4121	Resistor - 120 Ω \pm 5%1/10W	
226	1650 4122	Resistor - 1.2K Ω \pm 5% 1/10W	
227	1650 4123	Resistor - 12K Ω \pm 5%1/10W	
228	1650 4151	Resistor - 150 Ω \pm 5%1/10W	
229	1650 4152	Resistor - 1.5K Ω \pm 5% 1/10W	
230	1650 4153	Resistor - 15K Ω \pm 5% 1/10W	
231	1650 4163	Resistor 16K Ω \pm 5% 1/10W 1608	
232	1650 4181	Resistor - 180 Ω \pm 5%1/10W	
233	1650 4201	Resistor - 200 Ω \pm 5%1/10W	
234	1650 4202	Resistor - 2K Ω \pm 5%1/10W	
235	1650 4203	Resistor - 20K Ω \pm 5% 1/10W	
236	1650 4221	Resistor - 220 Ω \pm 5%1/10W	
237	1650 4222	Resistor - 2.2K Ω \pm 5%1/10W	
238	1650 4243	Resistor - 24K Ω \pm 5%1/10W	
239	1650 4271	Resistor - 270 Ω \pm 5%1/10W	
240	1650 4301	Chip Resistor:300K Ω : \pm 5%:1/10W	

Index No.	Part No.	Description	Q'ty Per Assembly
241	1650 4330	Chip Resistor - 33 Ω \pm 5% 1/10W	
242	1650 4331	Resistor - 330 Ω \pm 5%1/10W	
243	1650 4332	Resistor - 3.3K Ω \pm 5%1/10W	
244	1650 4471	Resistor - 470 Ω \pm 5%1/10W	
245	1650 4472	Resistor - 4.7K Ω \pm 5% 1/10W	
246	1650 4473	Resistor - 47K Ω \pm 5%1/10W	
247	1650 4511	Resistor - 510 Ω \pm 5%1/10W	
248	1650 4561	Resistor - 560 Ω \pm 5% 1/10W	
249	1650 4624	Resistor - 620K Ω \pm 5% 1/10W	
250	1650 4680	Resistor - 68 Ω \pm 5%1/10W	
251	1650 4681	Resistor - 680 Ω \pm 5% 1/10W	
252	1650 4682	Resistor - 6.8K Ω \pm 5% 1/10W	
253	1650 4750	Resistor - 75 Ω \pm 5%1/10W	
254	1650 4821	Chip Resistor - 820 Ω \pm 5% 1/10W	
255	1650 4822	Chip Resistor:8.2K Ω : \pm 5%:1/10W	
256	1650 4913	Resistor - 91K Ω \pm 5%1/10W	
257	1654 1000	Resistor - 100 Ω \pm 1% 1/10W	
258	1654 1002	Resistor - 10K Ω \pm 5%1/10W	
259	1654 1003	Resistor - 100K Ω \pm 1%1/10W	
260	1654 1021	Resistor - 1.02K Ω \pm 1%1/10W	
261	1654 1100	Resistor - 110 Ω \pm 1% 1/10W	
262	1654 1302	Chip Resistor:13K Ω : \pm 1%:1/10W:1608	
263	1654 1500	Resistor - 150 Ω \pm 1 %1/10W	
264	1654 1501	Resistor - 1.5K Ω \pm 1% 1/10W 1608	
265	1654 1802	Resistor - 18K Ω \pm 1%1/10W	
266	1654 1803	Resistor - 180K Ω \pm 1%1/10W	
267	1654 2002	Resistor - 20K Ω \pm 1%1/10W	
268	1654 2100	Chip Resistor:210oh: \pm 1%:1/10W:1608	
269	1654 2200	Resistor:220 Ω : \pm 1%:1/10w:1608	
270	1654 2400	Resistor:240: Ω \pm 1%:1/10W	
271	1654 2402	Chip Resistor:24K Ω : \pm 1%:1/10W	
272	1654 2403	Chip Resistor:240K Ω : \pm 1%:1/10W:1608	
273	1654 2551	Resistor - 2.55K Ω \pm 1% 1/10W	
274	1654 2701	Resistor - 2.7K Ω \pm 1% 1/10W	
275	1654 2702	Resistor - 27K Ω \pm 1%1/10W	

Index No.	Part No.	Description	Q'ty Per Assembly
276	1654 3002	Resistor - 30K Ω \pm 1%1/10W	
277	1654 3160	Resistor:316 Ω : \pm 1%:1/10W:1608	
278	1654 3302	Chip Resistor:33K Ω : \pm 1%:1/10W:1608	
279	1654 3740	Chip Resistor:374 Ω : \pm 1%:1/10W:1608	
280	1654 3900	Resistor:390 Ω : \pm 1%:1/10W	
281	1654 4220	Resistor - 422 Ω \pm 1% 1/10W	
282	1654 4700	Resistor - 470 Ω \pm 1%1/10W	
283	1654 5600	Resistor - 560 Ω \pm 1% 1/10W	
284	1654 6800	Resistor - 680 Ω \pm 1% 1/10W	
285	1654 6981	Resistor - 6.98K Ω \pm 1% 1/10W	
286	1654 7509	Resistor - 75 Ω \pm 1% 1/10W	
287	1654 8209	Resistor - 82 Ω \pm 1% 1/10W	
288	1654 9101	Resistor:9.1K Ω : \pm 1%:1/10W	
289	1654 9310	Resistor:931 Ω : \pm 1%:1/10W:1608	
290	1660 0100	Capacitor - 10PF \pm 0.5pF 50V	
291	1660 2101	Capacitor - 100pF - \pm 10% - 50V	
292	1660 2120	Capacitor - 12 pF \pm 5% 50V	
293	1660 2150	Capacitor - 15pF \pm 5% 50V	
294	1660 2151	Capacitor - 150pF \pm 20% 35V	
295	1660 2181	Capacitor - 180pF \pm 5% 50V	
296	1660 2220	Capacitor - 22pF \pm 20% 35V	
297	1660 2221	Capacitor - 220pF +80-20% 50V	
298	1660 2270	Capacitor - 27pF \pm 20% 35V	
299	1660 2271	Capacitor - 270pF - +80-20% - 50V	
300	1660 2330	Capacitor - 33pF - \pm 5% - 50V	
301	1660 2390	Ceramic Capacitor - 39pF 50V	
302	1660 2391	Capacitor - 390pF \pm 5% 50V	
303	1660 2470	Capacitor - 47pF \pm 5% 50V	
304	1660 2471	Capacitor - 470pF - \pm 5% - 50V	
305	1660 2820	Capacitor - 82pF \pm 5% 50V	
306	1660 4102	Capacitor - 1000pF \pm 10% 50V	
307	1660 4103	Capacitor - 10000pF - \pm 10% - 50V	
308	1660 4152	Capacitor - 1500pF \pm 10% 50V	
309	1660 4222	Capacitor - 2200pF - \pm 10% - 50V	
310	1660 4332	Capacitor - 3300pF - \pm 10% - 50V	

Index No.	Part No.	Description	Q'ty Per Assembly
311	1660 6103	Capacitor - 10000pF - +80%-20%50V	
312	1660 6473	Capacitor - 47000pF +80,-20% 50V	
313	1660 8104	Capacitor - 0.1 μ F+80-20% 25V	
314	1902 0068	SRAM:1M:X8:TSOP:G4	
315	1906 0018	Flash Memory - MBM29F160BE70TN	

23.FCU BOARD (NA B130/B168)

BAT

SYMBOL NO.	INDEX NO.
BAT1	107

CAPACITOR

SYMBOL NO.	INDEX NO.
---	---
C2	139
C3	138
C4	140
C5	141
C6	141
C7	142
---	---
C9	218
C10	218

SYMBOL NO.	INDEX NO.
C11	207
C12	218
C13	218
C14	158
C15	158
C16	161
C17	157
C18	157
C19	159
C20	159

SYMBOL NO.	INDEX NO.
C21	162
C22	149
C23	152
C24	145
C25	215
C26	155
C27	155
C28	160
---	---
C30	160

SYMBOL NO.	INDEX NO.
C31	210
C32	208
C33	152
C34	144
C35	171
C36	218
C37	218
C38	213
C39	218
C40	218

SYMBOL NO.	INDEX NO.
C41	213
C42	218
C43	218
---	---
---	---
C46	218
C47	213
C48	213
C49	218
C50	218

SYMBOL NO.	INDEX NO.
C51	218
C52	218
C53	213
C54	218
C55	153
C56	218
C57	154
C58	210
C59	211
C60	147

CAPACITOR

SYMBOL NO.	INDEX NO.
C61	148
C62	146
C63	214
C64	213
C65	218
C66	213
C67	218
C68	213
C69	218
C70	213

SYMBOL NO.	INDEX NO.
C71	213
C72	213
C73	213
C74	218
C75	218
C76	218
C77	209
C78	218
---	---
C80	217

SYMBOL NO.	INDEX NO.
C81	218
C82	218
C83	218
C84	218
C85	218
C86	218
C87	218
C88	213
C89	213
C90	216

SYMBOL NO.	INDEX NO.
C91	218
C92	218
C93	148
C94	156
C95	150
C96	218
C97	218
C98	151
C99	151
C100	155

SYMBOL NO.	INDEX NO.
C101	212
C102	148
---	---
---	---
---	---
C106	218
---	---
---	---
C999	143

CONNECTOR

SYMBOL NO.	INDEX NO.
CN600	104
CN601	105
---	---
---	---
---	---
CN605	101
CN606	102
---	---
---	---
CN620	103
CN621	103

DIODE

SYMBOL NO.	INDEX NO.
D1	118
---	---
D3	118
D4	124
D5	124
D6	122
D7	122
D8	118
D9	118
D10	118

23.FCU BOARD (NA B130/B168)

DIODE

SYMBOL NO.	INDEX NO.
D11	124
D12	124

FILTER

SYMBOL NO.	INDEX NO.
FIL1	163

IC

SYMBOL NO.	INDEX NO.
IC2	133
IC3	132
IC4	2
IC5	219
IC6	130
IC7	1
IC7	106
IC8	131
---	---
IC10	129

JP

SYMBOL NO.	INDEX NO.
JP3	170

LED

SYMBOL NO.	INDEX NO.
LED1	125
LED2	126

Q

SYMBOL NO.	INDEX NO.
Q1	113
Q2	114
Q3	113
Q4	112
Q5	109
Q6	110
Q7	110
Q8	109
Q9	110
Q10	110

SYMBOL NO.	INDEX NO.
Q11	110
Q12	116
Q13	111
Q14	115

DA

SYMBOL NO.	INDEX NO.
DA1	119

L

SYMBOL NO.	INDEX NO.
L1	165
L2	166
L3	164
L4	164

OSC

SYMBOL NO.	INDEX NO.
OSC1	134
OSC2	135

RESISTOR

SYMBOL NO.	INDEX NO.
R2	185
R3	185
R4	185
R5	185
R6	185
R7	185
R8	185
R9	185
R10	185

SYMBOL NO.	INDEX NO.
R11	189
R12	189
R13	185
R14	175
---	---
R16	174
R17	174
R18	174
R19	174
R20	174

SYMBOL NO.	INDEX NO.
R21	176
R22	176
R23	199
R24	182
R25	195
R26	195
R27	178
R28	203
R29	206
R30	179

SYMBOL NO.	INDEX NO.
R31	172
---	---
R33	172
R34	174
R35	175
---	---
R37	170
R38	185
R39	185
R40	185

SYMBOL NO.	INDEX NO.
R41	185
R42	185
R43	185
R44	185
R45	185
R46	174
R47	173
R48	173
R49	185
R50	185

SYMBOL NO.	INDEX NO.
R51	170
R52	174
R53	200
R54	200
R55	174
R56	170
---	---
R58	170
R59	170
---	---

SYMBOL NO.	INDEX NO.
---	---
R62	185
R63	185
R64	185
R65	196
R66	185
R67	185
R68	185
R69	185
R70	174

23.FCU BOARD (NA B130/B168)

RESISTOR

SYMBOL NO.	INDEX NO.	SYMBOL NO.	INDEX NO.	SYMBOL NO.	INDEX NO.	SYMBOL NO.	INDEX NO.	SYMBOL NO.	INDEX NO.	SYMBOL NO.	INDEX NO.	SYMBOL NO.	INDEX NO.
R71	194	R81	173	R91	185	R101	185	R111	197	R121	184	R131	170
R72	187	R82	188	R92	185	R102	182	R112	197	R122	175	R132	177
R73	187	R83	176	R93	181	R103	174	---	---	R123	185	R133	174
R74	187	R84	170	R94	181	R104	174	R114	170	R124	190	---	---
R75	183	R85	192	R95	185	R105	174	R115	174	R125	174	---	---
R76	195	R86	186	R96	185	R106	174	R116	174	R126	174	R136	170
R77	187	---	---	R97	185	R107	174	R117	174	R127	191	---	---
R78	201	R88	170	R98	174	R108	197	R118	174	R128	180	---	---
R79	201	---	---	R99	185	---	---	R119	174	R129	170	R139	174
R80	205	R90	170	R100	185	R110	175	R120	193	---	---	R140	198

RESISTOR

SYMBOL NO.	INDEX NO.
R141	198
R142	198
R143	204
R144	202
R145	198
R146	198
R147	198

RN

SYMBOL NO.	INDEX NO.
RN1	168
RN2	168
RN3	167
RN4	167
RN5	137
RN6	167
RN7	167
RN8	167
RN9	167
RN10	167

SYMBOL NO.	INDEX NO.
RN11	167
---	---
RN13	167
RN14	167
RN15	169
RN16	169
RN17	167
RN18	167
RN19	168
RN20	168

RY

SYMBOL NO.	INDEX NO.
RN21	137
RN21	136
RN22	168

SYMBOL NO.	INDEX NO.
RY2	108

V

SYMBOL NO.	INDEX NO.
V1	127
V2	128
V3	127

ZD

SYMBOL NO.	INDEX NO.
ZD1	117
ZD2	121
ZD3	121
ZD4	123
ZD5	120

23.FCU BOARD (NA B130/B168)

Index No.	Part No.	Description	Q'ty Per Assembly
*	B620 5172	PCB GWFCU3 NA:Ass'y	1
1	B620 5511	IC:FAME:RL5T818-0001	1
2	B620 5513	IC:FACE3:RB5A264	1

Index No.	Part No.	Description	Q'ty Per Assembly
101	1102 4201	Connector - 2P	
102	1102 4203	CT Header - 4P	
103	1102 7604	Connector - 52830-6245	
104	1102 9093	Connector:RHM-88R-SSK-	
105	1102 9634	Connector - WR-60P-VF50-1	
106	1105 0232	Locking Card Spacer	
107	1206 0084	Lithium Cell-VI2330/1HF	
108	1208 1438	Relay - EC2 5ND	
109	1400 0769	Transistor - 2SA1576A	
110	1400 0775	Transistor - 2SC4081	
111	1400 0781	Transistor:2SB1132R	
112	1400 0841	Transistor:2SD1898Q	
113	1400 1018	Transistor - MMBTA42	
114	1400 1019	Transistor - MMBTA92	
115	1401 1056	Fet - 2SK2158	
116	1401 1116	Transistor - 2SC5053	
117	1402 0506	Diode - RD43EB	
118	1402 1336	Diode - 1SS355	
119	1402 1343	Diode - RB106L-40	
120	1402 1384	Diode - UDZS12B	
121	1402 1505	Diode - UDZS5.6B	
122	1402 1584	Diode - DAN217U	
123	1402 1647	Diode - UDZS3.6B	
124	1402 1734	Diode - 1SR156-400	
125	1403 0953	LED - SML-310MT	
126	1403 0996	LED - SML-310VT	
127	1404 1033	Varistor - TNR9SE431K	
128	1404 1038	Varistor - TISP4350H3BJ	
129	1407 5441	IC - 74LVC00A:TSOP	
130	1407 5858	IC - SI3016	
131	1408 0810	IC - BA10358F	
132	1408 1688	IC - RN5RK	
133	1408 1861	Regulator - UPC2918T	
134	1503 0460	Oscillator - 32.768KHZ	
135	1503 1004	Oscillator - 19.6608Mhz	

Index No.	Part No.	Description	Q'ty Per Assembly
136	1601 7752	Resistor Array - 10K Ω \pm 5%	
137	1601 7867	Resistor - 33 Ω \pm 5% 1/16W	
138	1604 5210	Capacitor - 22 μ F \pm 20% 16V	
139	1604 5211	Capacitor - 47 μ F \pm 20% 16V	
140	1604 5212	Capacitor - 100 μ F \pm 20% 16V	
141	1604 5213	Capacitor - 220 μ F \pm 20% 10V	
142	1605 0976	Capacitor - 1 μ F+80% -20% 10V	
143	1605 1107	Capacitor - 1000pF \pm 10% 50V	
144	1605 1148	Capacitor - 0.1 μ F+80-20% 50V	
145	1605 1154	Capacitor- 1 μ F \pm 10%16V	
146	1605 1163	Ceramic Capacitor - 560pF \pm 5%:50V	
147	1605 1167	Capacitor - 0.22 μ F \pm 10% 10V	
148	1605 1190	Ceramic Capacitor - 0.022 μ F \pm 10% 50V	
149	1605 1225	Capacitor - 0.1 μ F \pm 10% 50V	
150	1605 1229	Capacitor - 1.5 μ F \pm 10% 16V	
151	1605 1275	Capacitor - 820pF \pm 5% 50V	
152	1605 1281	Capacitor - 0.22 μ F \pm 10% 16V	
153	1605 1295	Capacitor:10uf:+80-20%:10V	
154	1605 1306	Capacitor - 1 μ F \pm 10% 10V	
155	1605 1353	Capacitor - 0.1 μ F \pm 10% 25V	
156	1605 1396	Capacitor - 0.33 μ F \pm 10% 50V	
157	1605 1397	Capacitor - 560pF \pm 10% 630V	
158	1605 1398	Capacitor - 1000pF \pm 20% AC250V	
159	1605 1399	Capacitor - 3900pF \pm 5% 50V	
160	1605 1400	Capacitor - 150pF \pm 10% AC250V	
161	1605 1401	Capacitor - 0.01 μ F \pm 10% 250V	
162	1605 1402	Capacitor - 1800pF \pm 5% 50V	
163	1607 0069	Fuse - BL02RN2-R62-PB	
164	1607 0425	Coil: SBT-0260	
165	1607 1196	Inductor -220uh \pm 20% 0.33A	
166	1607 1284	Choke Coil - ST-110BV	
167	1609 0005	Resistor:33 Ω : \pm 5%:1/16W	
168	1609 0006	Resistor:10k Ω : \pm 5%:1/16W	
169	1609 0026	Resistor - 47 Ω \pm 5% 1/16W	
170	1634 0000	Resistor - 0 Ω 1/16W	

Index No.	Part No.	Description	Q'ty Per Assembly
171	1640 3221	Capacitor:220uf: \pm 20%:35V	
172	1650 4100	Resistor - 10 Ω \pm 5% 1/10W	
173	1650 4102	Resistor - 1K Ω \pm 5% 1/10W	
174	1650 4103	Resistor - 10K Ω \pm 5% 1/10W	
175	1650 4104	Resistor - 100K Ω \pm 5%1/10W	
176	1650 4106	Resistor - 10M Ω \pm 5%1/10W	
177	1650 4121	Resistor - 120 Ω \pm 5%1/10W	
178	1650 4124	Resistor:120k Ω : \pm 5%:1/10W	
179	1650 4151	Resistor - 150 Ω \pm 5%1/10W	
180	1650 4204	Resistor - 200K Ω \pm 5%1/10W	
181	1650 4220	Chip Resistor - 22 Ω \pm 5% 1/10W	
182	1650 4222	Resistor - 2.2K Ω \pm 5%1/10W	
183	1650 4223	Resistor - 22K Ω \pm 5%1/10W	
184	1650 4304	Resistor:300k Ω : \pm 5%:1/10W	
185	1650 4330	Chip Resistor - 33 Ω \pm 5% 1/10W	
186	1650 4331	Resistor - 330 Ω \pm 5%1/10W	
187	1650 4333	Resistor - 33K Ω \pm 5%1/10W	
188	1650 4334	Resistor - 330K Ω \pm 5%1/10W	
189	1650 4470	Resistor - 47 Ω \pm 5%1/10W	
190	1650 4472	Resistor - 4.7K Ω \pm 5% 1/10W	
191	1650 4474	Chip Resistor:470k Ω : \pm 5%:1/10W	
192	1650 4511	Resistor - 510 Ω \pm 5%1/10W	
193	1650 4561	Resistor - 560 Ω \pm 5% 1/10W	
194	1650 4562	Resistor - 5.6K Ω \pm 5% 1/10W	
195	1650 4563	Resistor - 56K Ω \pm 5%1/10W	
196	1650 4680	Resistor - 68 Ω \pm 5%1/10W	
197	1650 4912	Resistor - 9.1K Ω \pm 5%1/10W	
198	1652 5361	Resistor - 5.36K Ω \pm 1%1/4W	
199	1654 1003	Resistor - 100K Ω \pm 1%1/10W	
200	1654 1200	Resistor - 120 Ω \pm 1% 1/10W	
201	1654 2002	Resistor - 20K Ω \pm 1%1/10W	
202	1654 2200	Resistor:220 Ω : \pm 1%:1/10W:1608	
203	1654 2430	Resistor - 243 Ω \pm 1% 1/10W	
204	1654 3609	Resistor - 36 Ω \pm 1%1/10W	
205	1654 4301	Resistor - 4.3K Ω \pm 1%1/10W	

Index No.	Part No.	Description	Q'ty Per Assembly
206	1654 9311	Resistor - 9.31K Ω \pm 1% 1/10W	
207	1660 0100	Capacitor - 10PF \pm 0.5pF 50V	
208	1660 2120	Capacitor - 12 pF \pm 5% 50V	
209	1660 2121	Capacitor - 120pF \pm 5% 50V	
210	1660 2150	Capacitor - 15pF \pm 5% 50V	
211	1660 2180	Capacitor 18pF \pm 5% 50v	
212	1660 2331	Capacitor - 330pF \pm 5% 50V	
213	1660 2471	Capacitor - 470pF - \pm 5% - 50V	
214	1660 2560	Capacitor - 56pF \pm 5% 50V	
215	1660 4103	Capacitor - 10000pF - \pm 10% - 50V	
216	1660 4222	Capacitor - 2200pF - \pm 10% - 50V	
217	1660 4682	Capacitor - 6800pF 50V 1608	
218	1660 8104	Capacitor - 0.1 μ F+80-20% 25V	
219	1907 0022	SDRAM 64M 1MX16X4 133Mhz G1	

Index No.	Part No.	Description	Q'ty Per Assembly

24.FCU BOARD (EU B130/B168)

A

CAPACITOR

SYMBOL NO.	INDEX NO.
A1	129
A2	129

SYMBOL NO.	INDEX NO.
C2	141
C3	140
C4	142
C5	143
C6	143
C7	145
---	---
C9	223
C10	223

SYMBOL NO.	INDEX NO.
C11	212
C12	223
C13	223
---	---
---	---
C16	162
C17	160
C18	160
C19	161
C20	161

SYMBOL NO.	INDEX NO.
C21	163
C22	152
C23	155
C24	148
C25	220
C26	158
C27	158
---	---
---	---
---	---

SYMBOL NO.	INDEX NO.
C31	215
C32	213
C33	155
C34	147
C35	174
C36	223
C37	223
C38	218
C39	223
C40	223

SYMBOL NO.	INDEX NO.
C41	218
C42	223
C43	223
---	---
---	---
C46	223
C47	218
C48	218
C49	223
C50	223

SYMBOL NO.	INDEX NO.
C51	223
C52	223
C53	218
C54	223
C55	156
C56	223
C57	157
C58	215
C59	216
C60	150

BATA

SYMBOL NO.	INDEX NO.
BAT1	107

CAPACITOR

SYMBOL NO.	INDEX NO.
C61	151
C62	149
C63	219
C64	218
C65	223
C66	218
C67	223
C68	218
C69	223
C70	218

SYMBOL NO.	INDEX NO.
C71	218
C72	218
C73	218
C74	223
C75	223
C76	223
C77	214
C78	223
---	---
C80	222

SYMBOL NO.	INDEX NO.
C81	223
C82	223
C83	223
C84	223
C85	223
C86	223
C87	223
C88	218
C89	218
C90	221

SYMBOL NO.	INDEX NO.
C91	223
C92	223
C93	151
C94	159
C95	153
C96	223
C97	223
C98	154
C99	154
C100	158

SYMBOL NO.	INDEX NO.
C101	217
C102	151
---	---
---	---
C106	223
C107	144
C108	144
---	---
---	---

SYMBOL NO.	INDEX NO.
---	---
---	---
---	---
C114	165
C115	165
---	---
---	---
C128	164
C129	164
C130	164

SYMBOL NO.	INDEX NO.
---	---
---	---
---	---
---	---
---	---
---	---
---	---
---	---
C999	146

24.FCU BOARD (EU B130/B168)

CONNECTOR

SYMBOL NO.	INDEX NO.
CN600	104
CN601	105
---	---
---	---
---	---
CN605	101
CN606	102
---	---
---	---
CN620	103
CN621	103

DIODE

SYMBOL NO.	INDEX NO.
D1	118
---	---
D3	118
D4	125
D5	125
D6	122
D7	122
D8	118
D9	118
D10	118

DB

SYMBOL NO.	INDEX NO.
D11	125
D12	125

DB

SYMBOL NO.	INDEX NO.
DB1	123

IC

SYMBOL NO.	INDEX NO.
IC2	135
IC3	134
IC4	2
IC5	224
IC6	132
IC7	1
IC7	106
IC8	133
---	---
IC10	131

JP

SYMBOL NO.	INDEX NO.
JP3	173

LED

SYMBOL NO.	INDEX NO.
LED1	127
LED2	128

DA

SYMBOL NO.	INDEX NO.
DA1	119

FIL

SYMBOL NO.	INDEX NO.
FIL1	166

L

SYMBOL NO.	INDEX NO.
L1	167
L2	168
L3	169
L4	169

OSC

SYMBOL NO.	INDEX NO.
OSC1	136
OSC2	137

PCI

SYMBOL NO.	INDEX NO.
PC1	126

Q

SYMBOL NO.	INDEX NO.
Q1	113
Q2	114
Q3	113
Q4	112
Q5	109
Q6	110
Q7	110
Q8	109
Q9	110
Q10	110

SYMBOL NO.	INDEX NO.
Q11	110
Q12	116
Q13	111
Q14	115

RESISTOR

SYMBOL NO.	INDEX NO.
---	---
R2	188
R3	188
R4	188
R5	188
R6	188
R7	188
R8	188
R9	188
R10	188

SYMBOL NO.	INDEX NO.
R11	193
R12	193
R13	188
R14	178
---	---
R16	177
R17	177
R18	177
R19	177
R20	177

SYMBOL NO.	INDEX NO.
R21	179
R22	179
R23	204
R24	185
R25	199
R26	199
R27	181
R28	208
R29	211
R30	182

SYMBOL NO.	INDEX NO.
R31	175
---	---
R33	175
R34	177
R35	178
---	---
R37	173
R38	188
R39	188
R40	188

24.FCU BOARD (EU B130/B168)

RESISTOR

SYMBOL NO.	INDEX NO.	SYMBOL NO.	INDEX NO.	SYMBOL NO.	INDEX NO.	SYMBOL NO.	INDEX NO.	SYMBOL NO.	INDEX NO.	SYMBOL NO.	INDEX NO.	SYMBOL NO.	INDEX NO.
R41	188	R51	173	---	---	R71	198	R81	176	R91	188	R101	188
R42	188	R52	177	R62	188	R72	190	R82	191	R92	188	R102	185
R43	188	R53	205	R63	188	R73	190	R83	179	R93	184	R103	177
R44	188	R54	205	R64	188	R74	190	R84	173	R94	184	R104	177
R45	188	R55	177	R65	200	R75	186	R85	196	R95	188	R105	177
R46	177	R56	173	R66	188	R76	199	R86	189	R96	188	R106	177
R47	176	---	---	R67	188	R77	190	---	---	R97	188	R107	177
R48	176	R58	173	R68	188	R78	206	R88	173	R98	177	R108	201
R49	188	R59	173	R69	188	R79	206	---	---	R99	188	R109	192
R50	188	---	---	R70	177	R80	210	R90	173	R100	188	R110	178

RESISTOR

SYMBOL NO.	INDEX NO.	SYMBOL NO.	INDEX NO.	SYMBOL NO.	INDEX NO.	SYMBOL NO.	INDEX NO.	SYMBOL NO.	INDEX NO.	SYMBOL NO.	INDEX NO.	SYMBOL NO.	INDEX NO.
R111	201	R121	187	R131	173	R141	202	RN1	171	RN11	170	RN21	138
R112	201	R122	178	R132	180	R142	202	RN2	171	RN12	139	RN22	171
---	---	R123	188	R133	177	R143	209	RN3	170	RN13	170		
R114	173	R124	194	---	---	R144	207	RN4	170	RN14	170		
R115	177	R125	177	---	---			RN5	139	RN15	172		
R116	177	R126	177	R136	173	R145	202	RN6	170	RN16	172		
R117	177	R127	195	---	---	R146	202	RN7	170	RN17	170		
R118	177	R128	183	---	---	R147	202	RN8	170	RN18	170		
R119	177	R129	173	R139	177	R148	203	RN9	170	RN19	171		
R120	197	---	---	R140	202	R149	203	RN10	170	RN20	171		

24.FCU BOARD (EU B130/B168)

R_Y

SYMBOL NO.	INDEX NO.
RY2	108

Z_D

SYMBOL NO.	INDEX NO.
ZD1	117
ZD2	121
ZD3	121
ZD4	124
ZD5	120

V

SYMBOL NO.	INDEX NO.
V2	130

24.FCU BOARD (EU B130/B168)

Index No.	Part No.	Description	Q'ty Per Assembly
*	B620 5174	PCB GWFCU3 EU Ass'y	1
1	B620 5511	IC:FAME:RL5T818-0001	1
2	B620 5513	IC:FACE3:RB5A264	1

Index No.	Part No.	Description	Q'ty Per Assembly
101	1102 4201	Connector - 2P	
102	1102 4203	CT Header - 4P	
103	1102 8806	Connector - 52830-6645	
104	1102 9093	Connector:RHM-88R-SSK-	
105	1102 9634	Connector - WR-60P-VF50-1	
106	1105 0232	Locking Card Spacer	
107	1206 0084	Lithium Cell-vl2330/1hf	
108	1208 1438	Relay - EC2 5ND	
109	1400 0769	Transistor - 2SA1576A	
110	1400 0775	Transistor - 2SC4081	
111	1400 0781	Transistor:2SB1132R	
112	1400 0841	Transistor:2SD1898Q	
113	1400 1018	Transistor - MMBTA42	
114	1400 1019	Transistor - MMBTA92	
115	1401 1056	Fet - 2SK2158	
116	1401 1116	Transistor - 2SC5053	
117	1402 0506	Diode - RD43EB	
118	1402 1336	Diode - 1SS355	
119	1402 1343	Diode - RB106L-40	
120	1402 1384	Diode - UDZS12B	
121	1402 1505	Diode - UDZS5.6B	
122	1402 1584	Diode - DAN217U	
123	1402 1607	Diode - S1NB60	
124	1402 1647	Diode - UDZS3.6B	
125	1402 1734	Diode - 1SR156-400	
126	1403 0812	Photocoupler - PS2532-1-V	
127	1403 0953	LED - SML-310MT	
128	1403 0996	LED - SML-310VT	
129	1404 0983	Arrestor- RA-102MS-V7-F(5)	
130	1404 1038	Varistor - TISP4350H3BJ	
131	1407 5441	IC - 74LVC00A:TSOP	
132	1407 5858	IC - SI3016	
133	1408 0810	IC - BA10358F	
134	1408 1688	IC - RN5RK	
135	1408 1861	Regulator - UPC2918T	

Index No.	Part No.	Description	Q'ty Per Assembly
136	1503 0460	Oscillator - 32.768KHZ	
137	1503 1004	Oscillator - 19.6608Mhz	
138	1601 7752	Resistor Array - 10K Ω \pm 5%	
139	1601 7867	Resistor - 33 Ω \pm 5% 1/16W	
140	1604 5210	Capacitor - 22 μ F \pm 20% 16V	
141	1604 5211	Capacitor - 47 μ F \pm 20% 16V	
142	1604 5212	Capacitor - 100 μ F \pm 20% 16V	
143	1604 5213	Capacitor - 220 μ F \pm 20% 10V	
144	1605 0832	Capacitor - 8PF \pm 0.5pF 50V	
145	1605 0976	Capacitor - 1 μ F+80% -20% 10V	
146	1605 1107	Capacitor - 1000pF \pm 10% 50V	
147	1605 1148	Capacitor - 0.1 μ F+80-20% 50V	
148	1605 1154	Capacitor- 1 μ F \pm 10%16v	
149	1605 1163	Ceramic Capacitor - 560pF: \pm 5%:50V	
150	1605 1167	Capacitor - 0.22 μ F \pm 10% 10V	
151	1605 1190	Ceramic Capacitor - 0.022 μ F \pm 10% 50V	
152	1605 1225	Capacitor - 0.1 μ F \pm 10% 50V	
153	1605 1229	Capacitor - 1.5 μ F \pm 10% 16V	
154	1605 1275	Capacitor - 820pF \pm 5% 50V	
155	1605 1281	Capacitor - 0.22 μ F \pm 10% 16V	
156	1605 1295	Capacitor:10uf:+80-20%:10V	
157	1605 1306	Capacitor - 1 μ F \pm 10% 10V	
158	1605 1353	Capacitor - 0.1 μ F \pm 10% 25V	
159	1605 1396	Capacitor - 0.33 μ F \pm 10% 50V	
160	1605 1397	Capacitor - 560pF \pm 10% 630V	
161	1605 1399	Capacitor - 3900pF \pm 5% 50V	
162	1605 1401	Capacitor - 0.01 μ F \pm 10% 250V	
163	1605 1402	Capacitor - 1800pF \pm 5% 50V	
164	1605 1421	Capacitor - 150pF \pm 10% AC250V	
165	1605 1422	Capacitor - 1000pF \pm 20% AC250V	
166	1607 0069	Fuse - BL02RN2-R62-PB	
167	1607 1196	Inductor -220uh \pm 20% 0.33A	
168	1607 1284	Choke Coil - ST-110BV	
169	1607 1584	Inductor - LAV35VB151J	
170	1609 0005	Resistor:33 Ω : \pm 5%:1/16W	

Index No.	Part No.	Description	Q'ty Per Assembly
171	1609 0006	Resistor:10k Ω : \pm 5%:1/16W	
172	1609 0026	Resistor - 47 Ω \pm 5% 1/16W	
173	1634 0000	Resistor - 0 Ω 1/16W	
174	1640 3221	Capacitor:220uf: \pm 20%:35V	
175	1650 4100	Resistor - 10 Ω \pm 5% 1/10W	
176	1650 4102	Resistor - 1K Ω \pm 5% 1/10W	
177	1650 4103	Resistor - 10K Ω \pm 5% 1/10W	
178	1650 4104	Resistor - 100K Ω \pm 5%1/10W	
179	1650 4106	Resistor - 10M Ω \pm 5%1/10W	
180	1650 4121	Resistor - 120 Ω \pm 5%1/10W	
181	1650 4124	Resistor:120k Ω : \pm 5%:1/10W	
182	1650 4151	Resistor - 150 Ω \pm 5%1/10W	
183	1650 4204	Resistor - 200K Ω \pm 5%1/10W	
184	1650 4220	Chip Resistor - 22 Ω \pm 5% 1/10W	
185	1650 4222	Resistor - 2.2K Ω \pm 5%1/10W	
186	1650 4223	Resistor - 22K Ω \pm 5%1/10W	
187	1650 4304	Resistor:300k Ω : \pm 5%:1/10W	
188	1650 4330	Chip Resistor - 33 Ω \pm 5% 1/10W	
189	1650 4331	Resistor - 330 Ω \pm 5%1/10W	
190	1650 4333	Resistor - 33K Ω \pm 5%1/10W	
191	1650 4334	Resistor - 330K Ω \pm 5%1/10W	
192	1650 4361	Resistor - 360 Ω \pm 5%1/10W	
193	1650 4470	Resistor - 47 Ω \pm 5%1/10W	
194	1650 4472	Resistor - 4.7K Ω \pm 5% 1/10W	
195	1650 4474	Chip Resistor:470k Ω : \pm 5%:1/10W	
196	1650 4511	Resistor - 510 Ω \pm 5%1/10W	
197	1650 4561	Resistor - 560 Ω \pm 5% 1/10W	
198	1650 4562	Resistor - 5.6K Ω \pm 5% 1/10W	
199	1650 4563	Resistor - 56K Ω \pm 5%1/10W	
200	1650 4680	Resistor - 68 Ω \pm 5%1/10W	
201	1650 4912	Resistor - 9.1K Ω \pm 5%1/10W	
202	1652 5361	Resistor - 5.36K Ω \pm 1%1/4W	
203	1654 1001	Resistor - 1K Ω \pm 1%1/10W	
204	1654 1003	Resistor - 100K Ω \pm 1%1/10W	
205	1654 1200	Resistor - 120 Ω \pm 1% 1/10W	

Index No.	Part No.	Description	Q'ty Per Assembly
206	1654 2002	Resistor - 20K Ω \pm 1%1/10W	
207	1654 2200	Resistor:220 Ω : \pm 1%:1/10W:1608	
208	1654 2430	Resistor - 243 Ω \pm 1% 1/10W	
209	1654 3609	Resistor - 36 Ω \pm 1%1/10W	
210	1654 4301	Resistor - 4.3K Ω \pm 1%1/10W	
211	1654 9311	Resistor - 9.31K Ω \pm 1% 1/10W	
212	1660 0100	Capacitor - 10PF \pm 0.5pF 50V	
213	1660 2120	Capacitor - 12 pF \pm 5% 50V	
214	1660 2121	Capacitor - 120pF \pm 5% 50V	
215	1660 2150	Capacitor - 15pF \pm 5% 50V	
216	1660 2180	Capacitor 18pF \pm 5% 50v	
217	1660 2331	Capacitor - 330pF \pm 5% 50V	
218	1660 2471	Capacitor - 470pF - \pm 5% - 50V	
219	1660 2560	Capacitor - 56pF \pm 5% 50V	
220	1660 4103	Capacitor - 10000pF - \pm 10% - 50V	
221	1660 4222	Capacitor - 2200pF - \pm 10% - 50V	
222	1660 4682	Capacitor - 6800pF 50V 1608	
223	1660 8104	Capacitor - 0.1 μ F+80-20% 25V	
224	1907 0022	SDRAM 64M 1MX16X4 133MHZ G1	

Index No.	Part No.	Description	Q'ty Per Assembly

25.DECALS AND DOCUMENTS (B129/B130/B168/B169)

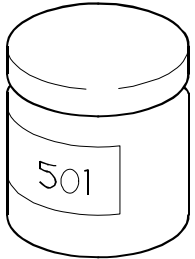
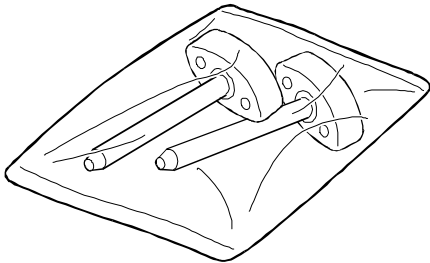
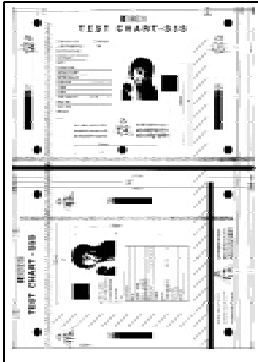
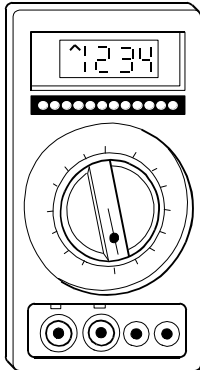
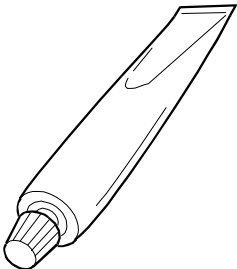
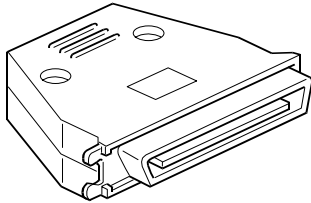
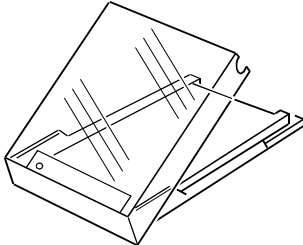
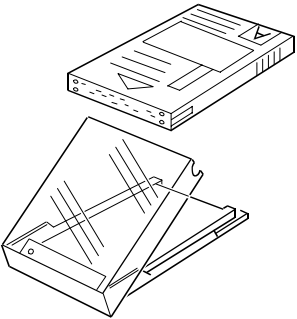
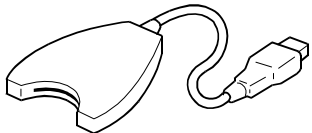
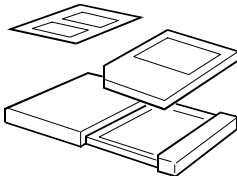
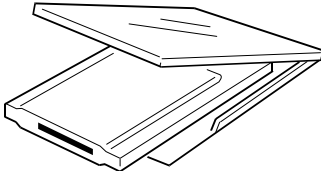
<p>1</p>	<p>2</p>	
<p>6</p>	<p>3</p>	
<p>9</p>	<p>4</p>	<p>5</p>
<p>7</p>	<p>8</p>	
<p>10</p>		

25.DECALS AND DOCUMENTS (B129/B130/B168/B169)

Index No.	Part No.	Description	Q'ty Per Assembly
1	H555 2790	Decal - Paper Size	1
2	AA00 2256	Scale Decal	1
3	B044 4161	Warning Decal	1
4	B044 4999	Original Insert Decal	1
5	G029 1982	LD Decal	1
6	B044 4617	Fusing Unit Decal	1
7	B044 4997	Decal - Misfeed	1
8	GA00 3035	Energy Decal	1
9	B044 2720	Decal - Cassette Operation	1
10	B404 3861	SG3 Decal	1

Index No.	Part No.	Description	Q'ty Per Assembly

26.SPECIAL TOOLS (B129/B130/B168/B169)

<p>1</p> 	<p>2</p> 	<p>3</p> 	<p>4</p> 
<p>5</p> 	<p>6</p> 	<p>7</p> 	<p>8</p> 
<p>9</p> 	<p>10</p> 	<p>11</p> 	

26.SPECIAL TOOLS (B129/B130/B168/B169)

Index No.	Part No.	Description	Q'ty Per Assembly
1	5203 9502	Grease 501	1
2	A184 9501	Optics Adjustment Tool	1
3	A292 9500	Test Chart - S5S (10 Pcs/Set)	1
4	VSSM 9000	Digital Multimeter-fluke187	1
5	A257 9300	Grease - Barrierta S552R	1
6	G021 9350	Loopback Connector - Parallel	1
7	N803 1000	Case - Flash Memory Card	1
8	N803 6701	Flash Memory Card-4MB	1
9	B645 5010	SD-Card:Ass'y	1
10	B645 6700	SD-Card:Adapter:BN-SDAA2	1
11	B645 6800	SD-Card:USB:Writer:BN-SDCE2	1

Index No.	Part No.	Description	Q'ty Per Assembly

Parts Index

PM Parts Index

Section Name	Part No.	Description in Service Manual	Description in Parts Catalog	Q'ty Per Assembly	Page and Index No.
TRANSPORT SECTION (B129/B130/B168/B169)	B044 3802	Transfer Roller	Transfer Roller	1	15- 8
	B044 3857	Separation Plate	Separation Plate	1	15- 19
PAPER CASSETTE (B129/B130/B168/B169)	AF03 1061	Paper Feed Roller	Paper Feed Roller	1	17- 12
	B044 2710	Friction Pad	Friction Pad	1	17- 13
ADF 3 (B129/B130/B168)	AF03 1062	Feed Roller	Feed Roller	1	23- 4
	AF03 0363	Pickup Roller	Pickup Roller	1	23- 10
FUSING UNIT (B129/B130/B168/B169)	AF03 2030	Reverse Roller	Reverse Roller	1	23- 19
	AE04 4059	Stripper Pawls	Stripper Pawls	3	35- 21
	AE02 0107	Pressure Roller	Pressure Roller	1	35- 26
	AE03 1034	Fusing Bushing	Fusing Bushing	2	35- 39
	AE01 1086	Hot Roller	Hot Roller	1	35- 40

Parts Index

Part No.	Description	Page and Index No.
B129 1056	Shaft Spacer	37 - 15
B129 1060	PSU Stay	41 - 9
B129 1110	Rear Drive Plate 2	37 - 13
B129 1129	Plate Cushion	37 - 18
B129 1157	Side Plate - Manual Feed	37 - 22
B129 1160	Rear Drive Plate 1 Ass'y	37 - 30
B129 1161	Lever DC Solenoid Ass'y	37 - 16
B129 1162	Fusing Bracket Ass'y	37 - 11
B129 1175	Toner Bottle Drive Spring	33 - 4
B129 1176	Toner Supply Shaft	33 - 3
B129 1250	Rear Cover EU	7 - 15
B129 1251	Left Scanner Cover EU	7 - 21
B129 1252	Exit Cover EU	7 - 26
B129 1253	IC Card Cover	7 - 31
B129 1254	Cover - SD	45 - 7
B129 1256	Right Upper Cover - EU	7 - 16
B129 1260	Rear Cover NA	7 - 15
B129 1261	Left Scanner Cover NA	7 - 21
B129 1262	Exit Cover NA	7 - 26
B129 1266	Right Upper Cover - NA	7 - 16
B129 1300	BICU Bracket	41 - 5
B129 1301	BICU Shadeing Plate	39 - 15
B129 1301	BICU Shadeing Plate	41 - 4
B129 1302	Power Supply Unit Bracket	41 - 16
B129 1303	Rear Cover Bracket	39 - 19
B129 1304	DFB Harness Guide Plate	29 - 25
B129 1305	Gwctl Bracket	45 - 6
B129 1306	GWCTL Shadeing Plate	45 - 5
B129 1307	BICU Insulating Sheet	39 - 13
B129 1308	FCU Bracket	45 - 10
B129 1309	Interface Cover	45 - 9
B129 1311	Speaker Bracket	29 - 28
B129 1313	Spring Plate - Gwctl	39 - 18
B129 1314	Cover Plate - BICU (B129)	39 - 28
B129 1315	Separation Bracket	41 - 19

Part No.	Description	Page and Index No.
B129 1411	Operation Panel NA Ass'y (B129)	7 - 3
B129 1411	Operation Panel NA Ass'y (B129)	9 - *
B129 1412	Operation Panel EU (B129)	7 - 3
B129 1412	Operation Panel EU (B129)	9 - *
B129 1451	OP Case	9 - 1
B129 1452	Lower Cover	9 - 23
B129 1453	Upper Cover - Fax	43 - 13
B129 1454	Lower Cover - Fax	43 - 6
B129 1455	On-line Cover	9 - 8
B129 1456	Function Cover Fax	43 - 8
B129 1457	OP-I Cable Sheet	43 - 5
B129 1458	Keytop - Clear/Stop	9 - 14
B129 1459	Keytop - Main SW	9 - 18
B129 1460	Keytop - 10key NA	9 - 13
B129 1461	Keytop - Clear Modes	9 - 11
B129 1462	Keytop - Counter	9 - 10
B129 1463	Keytop - Cursor	9 - 12
B129 1464	Keytop - LCD Lower Coupling	9 - 16
B129 1465	Keytop - Copy Option NA	9 - 4
B129 1466	Keytop - Printer Option NA	9 - 5
B129 1467	Keytop - Scanner Option NA	43 - 14
B129 1468	Keytop - Fax Option NA	43 - 15
B129 1469	Keytop - Dial Fax	43 - 12
B129 1470	Keytop - Function Fax	43 - 9
B129 1471	Spacer - Keytop Option	9 - 9
B129 1472	Data In Lens	9 - 6
B129 1474	Spring Plate - STL	9 - 21
B129 1474	Spring Plate - STL	43 - 4
B129 1475	Sheet - Power Source - NA/ASIA	9 - 3
B129 1476	Panel Sheet - NA/ASIA	9 - 2
B129 1478	Upper Decal	43 - 10
B129 1479	Sheet - Display Fax B	43 - 11
B129 1481	Function Key Decal - NA/ASIA	43 - 7
B129 1482	Sheet - OP Left	43 - 1
B129 1483	OP Sheet - Right	9 - 17

Part No.	Description	Page and Index No.
B129 1484	Blind Keytop Cover	9 - 24
B129 1485	Blind On-line Cover	9 - 22
B129 1486	Keytop - 10key EU	9 - 13
B129 1487	Keytop - Copy Option EU	9 - 4
B129 1488	Keytop - Printer Option EU	9 - 5
B129 1489	Keytop - Scanner Option EU	43 - 14
B129 1490	Keytop - Fax Option EU	43 - 15
B129 1491	Sheet - Power Source - EU	9 - 3
B129 1492	Panel Sheet - EU	9 - 2
B129 1493	On-line Display Sheet EU	9 - 7
B129 1494	Cover - Function Fax Blind	43 - 16
B129 1495	LCD	9 - 19
B129 1502	Keytop - 10key Asia	9 - 13
B129 1667	Sheet - Flat Cable Stabilizer	29 - 9
B129 1675	Left DFB PCB Bracket	29 - 11
B129 1676	Middle DFB PCB Bracket	29 - 26
B129 1700	No.1 Carriage Ass'y	27 - 1
B129 1770	Optical Unit CCD Ass'y	27 - 9
B129 1847	Inner Back Scale EU	7 - 1
B129 1848	Inner Back Scale NA	7 - 1
B129 1901	Laser Unit Ass'y	31 - *
B129 2820	Ground Plate - Manual Feed	37 - 23
B129 3020	Toner Supply Unit Ass'y	33 - 22
B129 3465	Cover - Toner Supply Unit	33 - 29
B129 4017	Fusing Unit NA Ass'y	35 - *
B129 4027	Fusing Unit EU Ass'y	35 - *
B129 4101	Fusing Frame	35 - 16
B129 4111	Hot Roller Spacer	35 - 59
B129 4134	Electrode Plate Fusing	35 - 45
B129 4139	Spring Plate - Pickoff Pawl Roller	35 - 48
B129 4143	Electrode Plate Cover	35 - 15
B129 4195	Thermostat Plate Nut	35 - 52
B129 4701	Spring Plate - Discharge Bracket Motor	37 - 27
B129 4703	Ground Plate - Lower Duplex Bracket	37 - 26
B129 4901	Rear Drive Bracket Ass'y	25 - 25

Part No.	Description	Page and Index No.
B129 4912	Motor Bracket	25 - 11
B129 5013	PCB BICU Asia Ass'y	39 - 12
B129 5013	PCB BICU ASIA Ass'y	55 - *
B129 5021	Power Supply Cord NA	39 - 16
B129 5053	Choke Coil - B1295053	41 - 15
B129 5101	PCB BICU EXP Ass'y	39 - 12
B129 5101	PCB BICU EXP Ass'y	55 - *
B129 5104	PCB BICU CHN Ass'y	55 - *
B129 5104	PCB BICU Chn Ass'y	39 - 12
B129 5150	PCB OPU Basic Ass'y	9 - 20
B129 5170	PCB DFB	29 - 29
B129 5200	Harness - Toner	39 - 7
B129 5201	Harness - HPS	39 - 4
B129 5202	Harness - Paper Feed Sensor	39 - 5
B129 5203	Harness - Paper Feed Sensor	35 - 12
B129 5204	Harness - LDDR	31 - 2
B129 5205	Harness - Operation Panel	39 - 10
B129 5206	Harness - Power Supply Unit	39 - 8
B129 5208	Harness - AC Fusing EU	39 - 21
B129 5209	Harness - AC Fusing NA	39 - 21
B129 5210	Harness - Door Switch	39 - 11
B129 5211	Harness - Front Right Switch	13 - 12
B129 5213	Harness - Registration Sensor	39 - 6
B129 5216	Harness - Main Motor	39 - 9
B129 5217	Harness - HVP	39 - 26
B129 5217	Harness - HVP	39 - 3
B129 5220	Harness - High Voltage Line C	33 - 9
B129 5221	Harness - High Voltage Line B	33 - 13
B129 5222	HVP T Harness	33 - 10
B129 5223	Harness - Paper Feed Table	39 - 17
B129 5223	Harness - Paper Feed Table	39 - 27
B129 5236	Flat Cable - SBU	27 - 8
B129 5236	Flat Cable - SBU	39 - 25
B129 7508	Model Name Plate (B129 RIC TWN)	7 - 32
B129 7509	Model Name Plate - NSA DSM415	7 - 32

Part No.	Description	Page and Index No.
B129 7512	Model Name Plate - RIC AF1515	7 - 32
B129 7514	Model Name Plate - REX DSM415	7 - 32
B129 7516	Model Name Plate - LAN LD015	7 - 32
B129 7518	Model Name Plate - INF IS2215	7 - 32
B129 7519	Model Name Plate - GES DSM415	7 - 32
B130 1411	Operation Panel CPSF NA (B130/B169)	7 - 3
B130 1411	Operation Panel CPSF NA (B130/B169)	9 - *
B130 1412	Operation Panel CPSF EU (B130/B169)	7 - 3
B130 1412	Operation Panel CPSF EU (B130/B169)	9 - *
B130 1413	Operation Panel CPSF AA (B130/B169)	7 - 3
B130 1413	Operation Panel CPSF AA (B130/B169)	9 - *
B130 1421	Operation Panel Expand FS NA	43 - *
B130 1422	Operation Panel Expand FS EU	43 - *
B130 1424	Operation Panel Expand EU Ass'y	43 - *
B130 1427	Operation Panel Expand FS CHN	43 - *
B130 5080	PCB MBU Ass'y	45 - 12
B130 5101	PCB BICU MFP EXP Ass'y	67 - *
B130 5101	PCB BICU MFP EXP Ass'y	39 - 12
B130 5103	PCB BICU MFP ASIA Ass'y	67 - *
B130 5103	PCB BICU MFP Asia Ass'y	39 - 12
B130 5104	PCB BICU MFP CHN Ass'y	67 - *
B130 5104	PCB BICU MFP CHN Ass'y	39 - 12
B130 5157	PCB OPU Ass'y	43 - 3
B130 5226	Harness - DFB	29 - 34
B130 5230	Harness - On Off Detector	25 - 14
B130 5231	Harness - Sensor	25 - 1
B130 5231	Harness - Sensor	29 - 30
B130 5233	Harness - Speaker	45 - 13
B130 5290	Harness - OPU	43 - 2
B130 7400	Function Decal - Fax	7 - 29
B130 7508	Model Name Plate (B130 RIC TWN)	7 - 32
B130 7509	Model Name Plate - NSA DSM415PF	7 - 32
B130 7512	Model Name Plate - RIC AF1515MF	7 - 32
B130 7514	Model Name Plate - Rex DSM415PF	7 - 32
B130 7516	Model Name Plate - LAN LD015SPF	7 - 32

Part No.	Description	Page and Index No.
B130 7518	Model Name Plate - INF IS2215FPS	7 - 32
B130 7519	Model Name Plate - GES DSM415PF	7 - 32
B168 1413	Operation Panel NA Ass'y (B168)	7 - 3
B168 1413	Operation Panel NA Ass'y (B168)	9 - *
B168 1414	Operation Panel EU Ass'y (B168)	9 - *
B168 1414	Operation Panel EU Ass'y (B168)	7 - 3
B168 1415	Operation Panel ASIA Ass'y (B168)	9 - *
B168 1415	Operation Panel ASIA Ass'y (B168)	7 - 3
B168 1423	Operation Panel Expand NA Ass'y	43 - *
B168 1424	Operation Panel Expand EU Ass'y (B168)	43 - *
B168 1425	Operation Panel Expand CHN Ass'y	43 - *
B168 7508	Model Name Plate (B168 GES)	7 - 32
B168 7509	Model Name Plate - NSA DSM415F	7 - 32
B168 7512	Model Name Plate - RIC AF1515F	7 - 32
B168 7514	Model Name Plate (B168 REX)	7 - 32
B168 7516	Model Name Plate - LAN LD015F	7 - 32
B168 7518	Model Name Plate - INF IS2215F	7 - 32
B168 7519	Model Name Plate - GES DSM415F	7 - 32
B169 7509	Model Name Plate - NSA DSM415P	7 - 32
B169 7512	Model Name Plate - RIC AF1515PS	7 - 32
B169 7514	Model Name Plate - REX DSM415P	7 - 32
B169 7516	Model Name Plate - LAN LD015SP	7 - 32
B169 7518	Model Name Plate - INF IS2215PS	7 - 32
B169 7519	Model Name Plate - GES DSM415P	7 - 32

Part No.	Description	Page and Index No.
A184 3420	Bottle Chuck	33 - 23
A184 9501	Optics Adjustment Tool	85 - 2
A250 1824	Exposure Glass Sheet	27 - 20
A257 9300	Grease - Barrierta S552R	85 - 5
A267 3556	Chuck Spring - Tonner Bottle	33 - 27
A292 9500	Test Chart - S5S (10 Pcs/Set)	85 - 3
B039 1453	Keytop - Start	9 - 15
B039 1683	Tension Spring - Stepper Motor	29 - 18
B039 1695	Flange - Pulley	29 - 13
B039 1704	Spring - Timing Pulley	29 - 4
B039 1781	2nd Mirror Holder	27 - 17
B039 1785	Scanner Drive Pulley	27 - 12
B039 1786	Tension Spring	27 - 13
B039 4170	Stripper Pawls Roller	35 - 49
B040 5506	IC:IMAC_K:RF5C789	55 - 1
B044 1060	Scanner Unit Stay	41 - 1
B044 1061	Base Bracket	41 - 12
B044 1062	Base Bracket - Paper Feed	41 - 13
B044 1063	Scanner Stud	13 - 2
B044 1064	Scanner Bracket - Front Right	13 - 1
B044 1066	Ground Plate - Option Tray	41 - 10
B044 1067	Toner Supply Rail	33 - 31
B044 1068	Toner Supply Rail	33 - 6
B044 1069	Duct Shield	33 - 1
B044 1100	Shutter	33 - 17
B044 1101	Shutter Spring	33 - 18
B044 1102	Registration Electrode Plate	13 - 10
B044 1103	Shutter Cover	33 - 20
B044 1105	Positioning Plate - Toner Bottle	41 - 11
B044 1139	Damping Insulation	37 - 19
B044 1158	Bracket	37 - 42
B044 1241	Platen Cover Ass'y - EU (B169)	7 - 23
B044 1254	End Fence	7 - 24
B044 1258	Shielding Plate	7 - 27
B044 1278	Right Upper Cover (EU)	7 - 17

Part No.	Description	Page and Index No.
B044 1279	Front Right Coveer (NA)	7 - 17
B044 1280	Front Door	7 - 19
B044 1284	Extension Tray - EU	7 - 25
B044 1285	Extension Tray - NA	7 - 25
B044 1290	Sheet - Operation Instructions	7 - 18
B044 1381	Platen Cover Hinge	19 - 6
B044 1381	Platen Cover Hinge	7 - 7
B044 1383	Platen Cover Spring	7 - 6
B044 1383	Platen Cover Spring	19 - 7
B044 1384	Hinge Cover	19 - 8
B044 1384	Hinge Cover	7 - 5
B044 1385	Platen Cover Sheet	7 - 8
B044 1385	Platen Cover Sheet	19 - 10
B044 1388	Platen Cover Stopper	7 - 9
B044 1389	Stopper Bracket - Platen Cover	7 - 10
B044 1390	Platen Cover Shaft	7 - 13
B044 1392	Platen Cover Shaft	7 - 14
B044 1393	Platen Cover	19 - 9
B044 1393	Platen Cover (EU)	7 - 4
B044 1394	Platen Cover (NA)	7 - 4
B044 1394	Platen Cover	19 - 9
B044 1395	Original Holder - EU	7 - 28
B044 1415	Front Left Cover	7 - 20
B044 1653	Front Rail	29 - 6
B044 1654	Rear Rail	29 - 5
B044 1661	Belt Clamp Bracket	29 - 21
B044 1663	Lens Bracket	29 - 10
B044 1665	Scale Bracket	29 - 8
B044 1668	Rear Stopper Bracket	29 - 24
B044 1669	Stopper Bracket - 1st Scanner	29 - 23
B044 1671	Bracket	29 - 22
B044 1677	Core Holder	29 - 31
B044 1681	Scale Bracket	27 - 22
B044 1683	Supporting Plate	27 - 19
B044 1715	Timing Belt Holder	27 - 5

Part No.	Description	Page and Index No.
B044 1717	Lamp Stabilizer Harness	27 - 2
B044 1719	Scanner Slider Pin	27 - 24
B044 1721	1st Mirror Holder	27 - 7
B044 1730	2nd Scanner	27 - 14
B044 1741	Front Pulley Bracket	27 - 11
B044 1745	Rear Pulley Bracket	27 - 10
B044 1751	Flat Cable Guide	27 - 18
B044 1802	Left Scale Ass'y - EU (B169)	7 - 12
B044 1810	Stepper Motor - DC 9.0W	29 - 15
B044 1815	Scanner Drive Shaft	29 - 14
B044 1816	Front Idler Bracket	29 - 1
B044 1818	Rear Idler Bracket	29 - 3
B044 1824	Rubber Bushing	29 - 32
B044 1825	Collar	29 - 33
B044 1843	Shoulder Screw	7 - 2
B044 1906	Seal - LDU	31 - 12
B044 1911	Laser Diode Unit	31 - 6
B044 1931	Shield Glass	31 - 9
B044 1935	Harness - Polygon Scanner	31 - 4
B044 1941	Laser Unit Cover	31 - 10
B044 1943	Ground Plate	31 - 1
B044 1944	Shutter Plate	31 - 3
B044 1998	Harness Holder Bracket	41 - 18
B044 1999	Spacer - 5mm	31 - 13
B044 2202	Mylar-quenching Lamp	41 - 14
B044 2503	Paper Tray Unit	17 - *
B044 2602	Turn Roller	13 - 15
B044 2603	Registration Feeler	13 - 13
B044 2604	Front Bushing	13 - 11
B044 2605	Rear Bushing	13 - 7
B044 2612	Guide Plate	15 - 1
B044 2613	Registration Roller Shaft	15 - 2
B044 2614	Driven Roller Bushing	15 - 4
B044 2615	Pressure Spring	15 - 13
B044 2616	Support Bushing	13 - 14

Part No.	Description	Page and Index No.
B044 2617	Holder Ass'y - Paper Dust Removal	41 - 17
B044 2621	Bushing - Driven Roller	15 - 17
B044 2621	Bushing - Driven Roller	15 - 42
B044 2622	Spacer - Registration	13 - 30
B044 2623	Mylar - Remove Paper Dust	41 - 2
B044 2651	Right Rail	41 - 7
B044 2653	Guide Plate - Paper Feed	13 - 3
B044 2654	Paper Feedguide	13 - 4
B044 2656	Guide Plate Stopper	13 - 29
B044 2701	Paper Tray	17 - 18
B044 2702	Front Side Fence	17 - 2
B044 2703	Rear Side Fence	17 - 7
B044 2704	Tray Bottom Plate	17 - 1
B044 2706	End Fence	17 - 3
B044 2709	Ground Plate	17 - 5
B044 2710	Friction Pad	17 - 13
B044 2711	Ground Plate	17 - 17
B044 2713	Stopper	17 - 14
B044 2714	Rubber Plate - Friction Pad	17 - 24
B044 2715	Sponge - End Fence	17 - 22
B044 2716	Pressure Spring	17 - 6
B044 2717	Pressure Spring	17 - 21
B044 2720	Decal - Cassette Operation	83 - 9
B044 2720	Decal - Cassette Operation	17 - 20
B044 2721	Paper Tray Sheet	17 - 23
B044 2751	Joint - Paper Feed Roller	17 - 8
B044 2755	Shaft - Paper Feed Roller	17 - 11
B044 2756	Spring - Paper Feed Roller	17 - 9
B044 2801	By-pass Feed Table	11 - 2
B044 2803	Tray Bottom Plate	11 - 9
B044 2804	Front Side Fence	11 - 7
B044 2805	Rear Side Fence	11 - 8
B044 2806	Lever - Manual Feed Table	11 - 4
B044 2807	Stay - Tray Bottom Plate	11 - 11
B044 2808	Paper Guide	11 - 1

Part No.	Description	Page and Index No.
B044 2809	Spring - Manual Feed Table	11 - 3
B044 2811	Guide Plate - Manual Feed	13 - 23
B044 2812	Manual Feed Bracket	13 - 25
B044 2813	Manual Feed Shaft	13 - 22
B044 2814	Exit Guide	13 - 16
B044 2815	Friction Pad - Manual Feed	13 - 18
B044 2817	Friction Pad Spring	13 - 19
B044 2824	Cushion-manual Feed Roller	13 - 27
B044 2825	Spacer-manual Feed Roller	13 - 26
B044 2860	Front Stopper Plate	15 - 39
B044 2861	Rear Stopper Plate	15 - 40
B044 3425	Slide Shaft	33 - 25
B044 3426	Chuck Shaft	33 - 24
B044 3460	Handle Cam	33 - 26
B044 3470	Toner Supply Case Ass'y	33 - 33
B044 3475	Un Lock Grip	33 - 32
B044 3485	Slider Ass'y	33 - 28
B044 3802	Transfer Roller	15 - 8
B044 3857	Separation Plate	15 - 19
B044 3859	Discharge Plate	15 - 23
B044 3860	Transfer Plate	15 - 12
B044 3865	Transfer Roller Spring - Front	15 - 11
B044 3866	Transfer Roller Spring - Rear	15 - 10
B044 3870	Transfer Guide	15 - 14
B044 3892	ID Sensor	15 - 15
B044 3990	Positioning Spring - Transfer Roller	15 - 9
B044 4104	Pressure Frame	35 - 36
B044 4112	Hot Roller Cap	35 - 50
B044 4117	Front Spring Plate	35 - 23
B044 4118	Rear Spring Plate	35 - 25
B044 4130	Pressure Lever	35 - 28
B044 4131	Bushing-pressure Release	35 - 43
B044 4132	Side Plate	35 - 31
B044 4135	Lamp Holder	35 - 22
B044 4136	Ground Plate	35 - 46

Part No.	Description	Page and Index No.
B044 4138	Spring	35 - 5
B044 4141	Pressure Release Lever - Front	35 - 29
B044 4146	Pressure Release Lever - Rear	35 - 30
B044 4150	Hot Roller Stopper	35 - 37
B044 4152	Pressure Spring	35 - 27
B044 4153	Cushion	35 - 44
B044 4154	Exit Spring	35 - 10
B044 4155	Spring - Pickoff Pawl	35 - 20
B044 4156	Front Hot Roller Stopper	35 - 61
B044 4161	Warning Decal	83 - 3
B044 4161	Warning Decal	35 - 35
B044 4165	Discharge Brush	35 - 1
B044 4166	Spring Plate	35 - 2
B044 4170	Fusing Gear	35 - 38
B044 4179	Holder - Pickoff Pawl	35 - 51
B044 4183	Feeler	35 - 3
B044 4186	Guide Plate	35 - 4
B044 4200	Fusing Plate Nut	13 - 31
B044 4200	Fusing Plate Nut	33 - 30
B044 4200	Fusing Plate Nut	35 - 33
B044 4201	Fusing Harness Cover	35 - 34
B044 4401	Paper Holder Stand	35 - 47
B044 4616	Right Cover Lever	15 - 21
B044 4617	Fusing Unit Decal	83 - 6
B044 4617	Fusing Unit Decal	15 - 24
B044 4618	Spring Holder	15 - 3
B044 4624	Right Door Belt	15 - 20
B044 4655	Right Door	15 - 22
B044 4663	Reverse Guide Plate	15 - 18
B044 4811	Original Feed Unit	23 - 42
B044 4831	ADF Pressure Plate	23 - 25
B044 4833	Magnetic Clutch	23 - 36
B044 4850	Covermylar	21 - 3
B044 4851	Myler Guide	21 - 2
B044 4852	Upper Cover	21 - 1

Part No.	Description	Page and Index No.
B044 4853	Separation Myler	23 - 41
B044 4854	Spacer	23 - 40
B044 4855	Plate Spring	21 - 8
B044 4857	Collar	21 - 12
B044 4859	Pressure Spring	21 - 4
B044 4865	Feed Bracket	23 - 1
B044 4869	Feed Shaft	23 - 15
B044 4870	Pickup Shaft	23 - 7
B044 4873	Magnetic Clutch Cover	23 - 35
B044 4878	Front Spring Plate	23 - 29
B044 4879	Separation Shaft	23 - 23
B044 4881	Reverse Bracket	23 - 22
B044 4883	Inner Cover-motor	25 - 26
B044 4885	Reverse Roller Shaft	23 - 20
B044 4886	Reverse Roller Holder	23 - 18
B044 4890	Separation Guide Plate	23 - 13
B044 4898	Front Ground Plate	25 - 7
B044 4902	Magnetic Clutch Bracket	23 - 37
B044 4903	Shaft	25 - 4
B044 4905	Front Lock Lever	23 - 32
B044 4906	Rear Lock Lever	25 - 23
B044 4920	Front Upper Cover (EU)	21 - 30
B044 4921	Front Upeer Cover (NA)	21 - 30
B044 4922	Front Lower Cover (EU)	21 - 29
B044 4923	Front Lower Cover (NA)	21 - 29
B044 4924	Rear Upper Cover (EU)	21 - 11
B044 4925	Rear Upper Cover (NA)	21 - 11
B044 4926	Rear Lower Cover (EU)	21 - 15
B044 4927	Rear Lower Cover (NA)	21 - 15
B044 4929	Sheet - Exposure Glass	21 - 14
B044 4930	Base Plate	21 - 25
B044 4934	Guide Plate	21 - 17
B044 4935	Guide Plate-exposure Glass	21 - 28
B044 4936	Plate Spring	21 - 18
B044 4937	Collar	21 - 22

Part No.	Description	Page and Index No.
B044 4938	Plate Spring	21 - 20
B044 4939	Lock Guide	21 - 23
B044 4940	Contact Point Shaft	21 - 24
B044 4941	Exposure Glass Spacer	21 - 26
B044 4942	Shielding Plate	21 - 32
B044 4948	Original Table	19 - 5
B044 4950	Front Guide	19 - 4
B044 4951	Rear Guide	19 - 3
B044 4952	Cover- Original Table	19 - 1
B044 4953	Original Auxiliary Table - NA	19 - 12
B044 4959	Front Guide Plate	23 - 14
B044 4960	Rear Guide Plate	23 - 12
B044 4961	Oneway Clutch	23 - 24
B044 4962	Cushion	23 - 38
B044 4964	Positioning Pin	21 - 31
B044 4970	ADF Ground Wire	25 - 22
B044 4970	ADF Ground Wire	21 - 34
B044 4997	Decal - Misfeed	83 - 7
B044 4997	Decal - Misfeed	21 - 13
B044 4999	Original Insert Decal	19 - 11
B044 4999	Original Insert Decal	83 - 4
B044 5214	ID Sensor Harness	15 - 16
B044 5235	Ground Wire	41 - 3
B044 5300	Paper End Sensor	41 - 8
B044 5805	Ferrite Core Holder	39 - 23
B121 1680	Gear - 53Z/60Z	29 - 16
B121 1696	Timing Belt L147	29 - 17
B121 5501	IC:SCRATCH:KS6M2U1651CBP	55 - 2
B121 5501	IC:SCRATCH:KS6M2U1651CBP	67 - 1
B121 5502	LSI:TRIO:UPD65945GD-103-LML-A	55 - 3
B121 5502	LSI:TRIO:UPD65945GD-103-LML-A	67 - 2
B121 5510	IC:TGLES	67 - 3
B121 5510	IC:TGLES	55 - 4
B404 3861	SG3 Decal	83 - 10
B404 5821	Handset Bracket	7 - 34

Part No.	Description	Page and Index No.
B620 5172	PCB GWFCU3 NA:Ass'y	73 - *
B620 5172	PCB GWFCU3 NA:Ass'y	45 - 11
B620 5174	PCB GWFCU3 EU Ass'y	79 - *
B620 5174	PCB GWFCU3 EU Ass'y	45 - 11
B620 5511	IC:FAME:RL5T818-0001	73 - 1
B620 5511	IC:FAME:RL5T818-0001	79 - 1
B620 5513	IC:FACE3:RB5A264	73 - 2
B620 5513	IC:FACE3:RB5A264	79 - 2
B622 5660	PCB USB Ass'y	45 - 8
B622 5823	Knob Screw	45 - 15
B622 5831	Rail:Right	45 - 3
B622 5832	Rail:Left	45 - 14
B645 5010	SD-Card:Ass'y	85 - 9
B645 6700	SD-Card:Adapter:BN-SDAA2	85 - 10
B645 6800	SD-Card:USB:Writer:BN-SDCE2	85 - 11
B683 5670	SD-Card EXP Ass'y	45 - 1
B683 5700	PCB CTL EXP	45 - 2
G014 3291	Snap Ring - Pick Up	33 - 21
G020 1160	Snap Ring	23 - 39
G020 2599	Spring - Release Lever	17 - 15
G020 2772	By-pass Paper End Sensor	13 - 24
G020 2786	Shaft - Manual Release Lever	11 - 3
G021 9350	Loopback Connector - Parallel	85 - 6
G025 1211	Speaker - GS	29 - 27
G025 2730	Cylindrical Lens	31 - 7
G025 2731	Synchronizing Detector Lens	31 - 8
G029 1982	LD Decal	31 - 11
G029 1982	LD Decal	83 - 5
G029 4158	Screw - M3X13	35 - 42
G331 5720	PCB SDRAM-DIMM 128Mb Ass'y	45 - 4
G512 3029	Rubber Foot	41 - 6
G800 3133	Side Fence Gear	11 - 10
G800 3133	Side Fence Gear	17 - 4
H006 2316	Clutch Spacer	23 - 17
H085 1514	Spring Clutch	23 - 3

Part No.	Description	Page and Index No.
H306 1288	Clutch Roller	23 - 5
H306 1315	Pressure Reverse Spring	23 - 27
H306 1358	Rear Drive Gear	23 - 21
H515 5018	Cover Switch - Fusing Exit	25 - 27
H521 1287	Gear - Pickup Roller	23 - 8
H521 1288	Collar - Pickup	23 - 9
H521 1311	Busing	25 - 8
H521 1314	Spring Clutch - M6	23 - 16
H521 1350	Pad - Pick-up	23 - 11
H521 3355	C Ring - Paper Feed Roller	13 - 5
H521 3355	C Ring - Paper Feed Roller	17 - 16
H523 5350	Telephone Cable	7 - 33
H547 4203	Guide Plate Sponge	45 - 16
H555 2790	Decal - Paper Size	83 - 1
H555 2790	Decal - Paper Size	7 - 30
H555 5004	Power Supply Cord - CHN	39 - 16
H555 5008	Power Supply Cord	39 - 16
H555 5105	Harness - Paper End Sensor	13 - 21
H555 5150	Ferrite Core	39 - 24
H555 5153	Ferrite Core	27 - 23
H556 1300	Spring Plate:Lock:Rear	25 - 24
H556 1301	Discharge Brush	23 - 26
H556 1303	Rear Ground Plate	25 - 18
H556 1315	Gear - 14/44Z	25 - 12
H556 2201	Reargate Plate Guide	35 - 54
H556 2202	Front Gate Plate Guide	35 - 55
H556 2206	Guide Plate	35 - 24
H556 2208	Gate Plate	35 - 53
H556 2210	Gear - 19/28Z	35 - 13
H556 2215	Gear Bracket	35 - 56
H556 2218	Stud	35 - 14
H556 2220	Roller	35 - 57
H556 2818	Guide Plate	15 - 25
H556 2820	Myler Reverse	15 - 28
H556 4154	Duplex Guide Plate Assy	15 - 26

Part No.	Description	Page and Index No.
H556 4170	Duplex Drive Bracket	37 - 24
H556 4178	Spring Plate	37 - 32
H556 4179	Swivel Bracket	37 - 31
H556 4180	Plate Bracket	37 - 35
H556 4181	Spring Plate	15 - 33
H556 4185	Transport Roller Holder	15 - 34
H556 4186	Positioning Roller	15 - 32
H556 4187	Transport Roller	15 - 36
H556 4188	Sheet	15 - 37
H556 4189	Sheet	15 - 38
H556 4192	Right Guide Plate	15 - 30
H556 5106	Gate Sensor Harness	35 - 58
H556 5857	Opif Rail	45 - 17

Part No.	Description	Page and Index No.
N803 1000	Case - Flash Memory Card	85 - 7
N803 6701	Flash Memory Card-4MB	85 - 8

Part No.	Description	Page and Index No.
AA00 2256	Scale Decal	83 - 2
AA00 2256	Scale Decal	21 - 16
AA00 3011	Manual Feed Decal	11 - 13
AA04 2052	Scanner Drive Belt	27 - 15
AA04 3503	Timing Belt - 113T	25 - 20
AA04 3582	Timing Belt	37 - 33
AA04 3939	Timing Belt 640t	29 - 2
AA06 2326	Spring - Swivel Fusing	37 - 17
AA06 3405	Lever Spring	15 - 29
AA06 3409	Right Door Spring	15 - 7
AA06 3868	Pressure Plate Spring - Rear	25 - 10
AA06 3869	Pressure Plate Spring - Front	23 - 30
AA06 6591	Lock Spring	23 - 31
AA08 0322	Bushing - 6mm	13 - 17
AA08 0323	Roller Collar	21 - 5
AA08 0324	Timing Belt Collar	25 - 17
AA08 2046	Bushing - 6x12x6	29 - 20
AA08 2101	Bushing - 6x10x6	17 - 10
AA11 3032	Electrode Plate - Development	33 - 12
AA11 3034	Electrode Plate - Charge	33 - 8
AA11 3035	Electrode Plate - Transfer	33 - 11
AA12 0104	Ground Plate - Registration	37 - 21
AA12 0124	Ground Plate - Drum Drive	37 - 20
AA13 2217	Collar	37 - 6
AA14 0807	Shaft-Pressure	21 - 10
AA14 3783	Fusing Shaft No.5	37 - 12
AA14 5825	Pressure Shaft	21 - 7
AA14 5826	Pressure Shaft	21 - 21
AA14 8651	Shaft - Paper Feed Roller	33 - 15
AA16 1157	Bracket Cushion	37 - 14
AA16 1630	Stepper Motor Cushion Ass'y	25 - 29
AA17 0026	Insulating Sheet Power Pack	39 - 14
AB00 0022	Drum Shaft	33 - 16
AB00 0024	Development Shaft Ass'y	33 - 19
AB01 0358	Gear - 64Z	33 - 7

Part No.	Description	Page and Index No.
AB01 0362	Gear - 49Z	37 - 40
AB01 1324	Gear-16z	23 - 6
AB01 1325	Gear - 18Z	23 - 2
AB01 1326	Gear - 17Z	25 - 16
AB01 1327	Gear-19z	25 - 9
AB01 1328	Gear - 22Z	25 - 13
AB01 1438	Gear - 41Z	37 - 3
AB01 1492	Gear - 29Z	37 - 4
AB01 2033	Gear - 21Z	15 - 31
AB01 7582	Coupled Gear 22/50z	33 - 14
AB01 7585	Coupled Gear - 17/44z	37 - 8
AB01 7586	Coupled Gear - 43/53z	37 - 2
AB01 7587	Coupled Gear - 17/44z	37 - 7
AB01 7591	Gear - 18/30Z	23 - 34
AB01 7627	Gear - 28/43Z	37 - 43
AB01 7628	Gear - 19/38Z	37 - 29
AB01 7629	Gear - 19/21Z	37 - 9
AB01 7659	Gear - 43/91Z	37 - 41
AB01 7660	Gear - 44/67Z	37 - 38
AB01 7661	Gear - 29/69Z	37 - 37
AB01 7662	Gear - 17/67Z	37 - 39
AB01 7663	Gear - 18/40Z	37 - 10
AB01 7689	Gear - 16/44Z	25 - 21
AB03 0711	Drive Pully - 37t	29 - 19
AB03 0712	Pulley	25 - 19
AB03 2071	Pulley - 24Z	37 - 34
AB03 3095	Drive Pully - 41t/37t	29 - 12
AB04 0019	Spring Clutch	33 - 5
AC01 2069	Exposure Glass	7 - 11
AC01 3005	Df Exposure Glass	21 - 27
AC03 0145	1st Mirror	27 - 6
AC03 0146	2nd Mirror	27 - 16
AC06 0004	White Standard Sheet - ADF	21 - 33
AE01 1086	Hot Roller	35 - 40
AE02 0107	Pressure Roller	35 - 26

Part No.	Description	Page and Index No.
AE03 1034	Fusing Bushing	35 - 39
AE03 1035	Pressure Roller Bushing	35 - 32
AE04 4059	Stripper Pawls	35 - 21
AF02 0550	Registration Roller	13 - 8
AF02 0552	Roller	25 - 5
AF02 0553	Shaft	25 - 3
AF02 0600	Roller	25 - 2
AF02 2139	Driven Roller - Front Rear	15 - 5
AF02 2140	Middle Driven Roller	15 - 6
AF02 2141	Turn-roller	35 - 6
AF02 2142	Middle Roller	35 - 60
AF02 2142	Middle Roller	35 - 8
AF02 2143	Guide Roller	15 - 27
AF02 2144	Pressure Roller	21 - 9
AF02 2145	Pressure Roller	21 - 6
AF02 2146	Pressure Roller	21 - 19
AF02 2152	Transport Driven Roller	15 - 35
AF03 0363	Pickup Roller	23 - 10
AF03 1060	By-pass Feed Roller	13 - 20
AF03 1061	Paper Feed Roller	17 - 12
AF03 1062	Feed Roller	23 - 4
AF03 2030	Reverse Roller	23 - 19
AF04 0588	Exit Roller	35 - 9
AF04 0603	Exit Roller	35 - 7
AW01 0049	Photo Reflection Sensor	25 - 6
AW02 0119	Photointerruptor - LG-24811	13 - 9
AW02 0119	Photointerruptor - LG-24811	29 - 7
AW02 0119	Photointerruptor - LG-24811	27 - 21
AW02 0119	Photointerruptor - LG-24811	35 - 11
AW10 0088	Thermistor - Fusing	35 - 18
AW11 0037	Thermostat - 160c	35 - 17
AW11 0038	Thermostat - 170c	35 - 19
AW50 0023	Push Switch	25 - 15
AW50 0026	Original Sensor	23 - 28
AX05 0204	Stepper Motor ADF	25 - 28

Part No.	Description	Page and Index No.
AX06 0226	Main Motor - DC20W	37 - 28
AX06 0273	Duplex Stepper Motor	37 - 25
AX06 0284	Polygon Scanner Motor	31 - 5
AX20 0267	Registration Clutch	13 - 6
AX20 0268	Paper Feed Clutch	37 - 5
AX20 0269	Manual Feed Clutch	13 - 28
AX31 0038	Total Counter 2nd	39 - 22
AX44 0202	Heater - 120V/800W	35 - 41
AX44 0203	Heater - 230V:750W	35 - 41
AX50 0079	Quenching Lamp	33 - 2
AX50 0084	Xenon Lamp	27 - 4
AZ23 0134	Power Supply Unit 100V	39 - 20
AZ23 0135	Power Supply Unit 200V	39 - 20
AZ32 0131	Power Pack BCT	39 - 2
AZ50 0065	Xenon Lamp Stabilizer	27 - 3
BB01 3002	Gear - 26Z	23 - 33
BB01 3003	Gear - 14Z	19 - 2
BB01 3006	Gear - 27Z	37 - 1
GA00 3035	Energy Decal	7 - 22
GA00 3035	Energy Decal	83 - 8
GX64 0020	Fan Motor - DC24V	39 - 1

Part No.	Description	Page and Index No.
VSSM 9000	Digital Multimeter-fluke187	85 - 4

Part No.	Description	Page and Index No.
0360 3006W	Philips Pan Head Screw- M3x6	29 -103
0450 3006B	Tapping Screw - M3x6	15 -102
0450 3006B	Tapping Screw - M3x6	13 -102
0450 3008B	Tapping Screw - M3x8	27 -101
0450 3008B	Tapping Screw - M3x8	31 -101
0450 3008B	Tapping Screw - M3x8	25 -104
0450 3008B	Tapping Screw - M3x8	33 -101
0450 3008B	Tapping Screw - M3x8	23 -103
0450 3008B	Tapping Screw - M3x8	35 -101
0450 3008B	Tapping Screw - M3x8	21 -101
0450 3008B	Tapping Screw - M3x8	15 -103
0450 3008B	Tapping Screw - M3x8	41 -101
0450 3008B	Tapping Screw - M3x8	39 -102
0450 3010B	Tapping Screw - M3x10	35 -103
0450 3010B	Tapping Screw - M3x10	37 -103
0450 3010B	Tapping Screw - M3x10	41 -104
0450 3010H	Tapping Screw - 3x10	7 -103
0450 3035B	Tapping Screw - M3x35	39 -101
0451 3006B	Tapping Screw - M3x6	37 -101
0451 3006B	Tapping Screw - M3x6	41 -103
0451 3006B	Tapping Screw - M3x6	29 -101
0451 3006B	Tapping Screw - M3x6	27 -102
0451 3006B	Tapping Screw - M3x6	25 -106
0451 3006B	Tapping Screw - M3x6	21 -104
0451 3006B	Tapping Screw - M3x6	11 -101
0451 3006B	Tapping Screw - M3x6	35 -102
0451 3006B	Tapping Screw - M3x6	39 -103
0451 3006H	Tapping Screw - 3x6	45 -101
0451 3006H	Tapping Screw - 3x6	21 -102
0451 3006H	Tapping Screw - 3x6	7 -102
0451 3008H	Tapping Screw - M3x8	7 -101
0451 3008H	Tapping Screw - M3x8	39 -107
0452 3010B	Tapping Bind Screw - M3x10	31 -102
0452 3010H	Tapping Screw - M3x10	9 -101
0452 3010H	Tapping Screw - M3x10	43 -101

Part No.	Description	Page and Index No.
0453 3006B	Tapping Screw - M3x6	37 -102
0593 0080B	Hexagonal Set Screw-M3x8	21 -103
0622 0120E	Spring Pin - 2x12mm	17 -102
0720 0030E	Retaining Ring - M3	23 -101
0720 0040E	Retaining Ring - M4	37 -104
0720 0040E	Retaining Ring - M4	23 -102
0720 0040E	Retaining Ring - M4	13 -103
0720 0040E	Retaining Ring - M4	25 -107
0720 0040E	Retaining Ring - M4	15 -101
0720 0060E	Retaining Ring - M6	25 -101
0720 0060W	Retaining Ring - M6	29 -105
0740 3906	Ball Bearing - 6x15x5	29 -104
0802 5276	Tapping Screw With Washer - M3x6	29 -102
0805 0089	Retaining Ring - M4	17 -101
0805 0089	Retaining Ring - M4	21 -105
0805 0089	Retaining Ring - M4	23 -105
0805 0089	Retaining Ring - M4	25 -102
0805 3480	Bushing - 6mm	23 -104
0805 3480	Bushing - 6mm	25 -103
0950 4006B	Screw - M4X6	39 -104
0954 3008B	Philips Screw - M3x8	35 -104
0954 3008B	Philips Screw - M3x8	41 -102
1102 4201	Connector - 2P	79 -101
1102 4201	Connector - 2P	73 -101
1102 4202	Connector - 3P	67 -101
1102 4202	Connector - 3P	55 -101
1102 4203	CT Header - 4P	79 -102
1102 4203	CT Header - 4P	73 -102
1102 4205	CT Header - 6P	67 -102
1102 4205	CT Header - 6P	55 -102
1102 4559	Connector - 3P	33 -104
1102 4619	Connector - 2P	67 -103
1102 4619	Connector - 2P	55 -103
1102 4621	CT Header - 4P	67 -104
1102 4621	CT Header - 4P	55 -104

Part No.	Description	Page and Index No.
1102 4623	CT Connector - 6P	67 -105
1102 4623	CT Connector - 6P	55 -105
1102 4630	CT Connector	67 -106
1102 4630	CT Connector	55 -106
1102 4631	CT Connector - 2P	55 -107
1102 4631	CT Connector - 2P	67 -107
1102 5302	Connector - 3P	67 -108
1102 5302	Connector - 3P	55 -108
1102 5306	Connector - 7P	55 -109
1102 5306	Connector - 7P	67 -109
1102 6259	Connector - 2P	33 -103
1102 6295	Connector - 2P	67 -110
1102 6295	Connector - 2P	55 -110
1102 6297	Connector - 4P	55 -111
1102 6297	Connector - 4P	67 -111
1102 6299	Connector - 6P	55 -112
1102 6299	Connector - 6P	67 -112
1102 6304	Connector - 11P	67 -113
1102 6304	Connector - 11P	55 -113
1102 6309	Connector - 2P	55 -114
1102 6309	Connector - 2P	67 -114
1102 7604	Connector - 52830-6245	73 -103
1102 8153	Connector - FCN-568P068-G/05A-V4	55 -115
1102 8153	Connector - FCN-568P068-G/05A-V4	67 -115
1102 8544	Connector 1-353297-3	55 -116
1102 8544	Connector 1-353297-3	67 -116
1102 8655	Connector - 9P 353297-9	67 -117
1102 8655	Connector - 9P 353297-9	55 -117
1102 8806	Connector - 52830-6645	79 -103
1102 8807	Connector - FFC/FPC-52045-0545	55 -118
1102 8807	Connector - FFC/FPC-52045-0545	67 -118
1102 8808	Connector - FFC/FPC-52806-1110	67 -119
1102 8808	Connector - FFC/FPC-52806-1110	55 -119
1102 9093	Connector:RHM-88R-SSK-	73 -104
1102 9093	Connector:RHM-88R-SSK-	79 -104

Part No.	Description	Page and Index No.
1102 9108	Connector - 353297-3	67 -120
1102 9108	Connector - 353297-3	55 -120
1102 9109	Connector - 353297-4	55 -121
1102 9109	Connector - 353297-4	67 -121
1102 9110	Connector - 353297-6	55 -122
1102 9110	Connector - 353297-6	67 -122
1102 9111	Connector - 353297-7	55 -123
1102 9111	Connector - 353297-7	67 -123
1102 9112	Connector - 353297-8	55 -124
1102 9112	Connector - 353297-8	67 -124
1102 9116	Connector - 353297-5	67 -125
1102 9116	Connector - 353297-5	55 -125
1102 9133	Connector:292206-8	67 -126
1102 9133	Connector:292206-8	55 -126
1102 9548	Connector - TX25-100P-8ST-H1	55 -127
1102 9548	Connector - TX25-100P-8ST-H1	67 -127
1102 9601	Connector:5-353297-3	55 -128
1102 9601	Connector:5-353297-3	67 -128
1102 9602	Connector:5-353297-6	55 -129
1102 9602	Connector:5-353297-6	67 -129
1102 9634	Connector - WR-60P-VF50-1	79 -105
1102 9634	Connector - WR-60P-VF50-1	73 -105
1102 9710	Connector:5-353297-4	55 -130
1102 9710	Connector:5-353297-4	67 -130
1104 0588	DIP Socket - 28P	55 -131
1105 0197	Wire Saddle	13 -104
1105 0197	Wire Saddle	37 -105
1105 0232	Locking Card Spacer	73 -106
1105 0232	Locking Card Spacer	79 -106
1105 0409	Card Spacer- 6.4mm	41 -105
1105 0487	Harness Clamp	29 -106
1105 0487	Harness Clamp	39 -105
1105 0511	Harness Clamp - LWS-0306ZC	29 -108
1105 0511	Harness Clamp - LWS-0306ZC	33 -102
1105 0511	Harness Clamp - LWS-0306ZC	27 -103

Part No.	Description	Page and Index No.
1105 0511	Harness Clamp - LWS-0306ZC	41 -106
1105 0511	Harness Clamp - LWS-0306ZC	25 -105
1105 0511	Harness Clamp - LWS-0306ZC	37 -106
1105 0522	Edge Saddle - LES0510	29 -107
1105 0522	Edge Saddle - LES0510	39 -106
1105 0522	Edge Saddle - LES0510	41 -107
1204 2521	Micro Switch	13 -101
1206 0084	Lithium Cell-VI2330/1HF	73 -107
1206 0084	Lithium Cell-vI2330/1hf	79 -107
1208 1438	Relay - EC2 5ND	73 -108
1208 1438	Relay - EC2 5ND	79 -108
1400 0688	Transistor -DTC143ZUA	55 -132
1400 0688	Transistor -DTC143ZUA	67 -131
1400 0717	Transistor:2SA1226-A-E4	55 -133
1400 0717	Transistor:2SA1226-A-E4	67 -132
1400 0769	Transistor - 2SA1576A	67 -133
1400 0769	Transistor - 2SA1576A	79 -109
1400 0769	Transistor - 2SA1576A	55 -134
1400 0769	Transistor - 2SA1576A	73 -109
1400 0775	Transistor - 2SC4081	79 -110
1400 0775	Transistor - 2SC4081	73 -110
1400 0775	Transistor - 2SC4081	55 -135
1400 0775	Transistor - 2SC4081	67 -134
1400 0781	Transistor:2SB1132R	79 -111
1400 0781	Transistor:2SB1132R	73 -111
1400 0789	Transistor - IMT17	55 -136
1400 0789	Transistor - IMT17	67 -135
1400 0796	Transistor - UMH10N	67 -136
1400 0796	Transistor - UMH10N	55 -137
1400 0799	Transistor - 2SB1326	67 -137
1400 0799	Transistor - 2SB1326	55 -138
1400 0841	Transistor:2SD1898Q	79 -112
1400 0841	Transistor:2SD1898Q	73 -112
1400 0862	Transistor - UMH9N	55 -139
1400 0862	Transistor - UMH9N	67 -138

Part No.	Description	Page and Index No.
1400 0901	Transistor - DTC144VUA	55 -140
1400 0901	Transistor - DTC144VUA	67 -139
1400 0918	Transistor - DTC123JUA	67 -140
1400 0918	Transistor - DTC123JUA	55 -141
1400 0936	Transistor - UMD3N	67 -141
1400 0936	Transistor - UMD3N	55 -142
1400 0967	Transistor - DTC123EUA	55 -143
1400 0967	Transistor - DTC123EUA	67 -142
1400 1018	Transistor - MMBTA42	79 -113
1400 1018	Transistor - MMBTA42	73 -113
1400 1019	Transistor - MMBTA92	79 -114
1400 1019	Transistor - MMBTA92	73 -114
1401 0821	Diode - 1SS133	55 -144
1401 0821	Diode - 1SS133	67 -143
1401 1056	Fet - 2SK2158	73 -115
1401 1056	Fet - 2SK2158	79 -115
1401 1116	Transistor - 2SC5053	55 -145
1401 1116	Transistor - 2SC5053	73 -116
1401 1116	Transistor - 2SC5053	67 -144
1401 1116	Transistor - 2SC5053	79 -116
1401 1175	FET:HAT1043M	55 -146
1401 1175	FET:HAT1043M	67 -145
1402 0506	Diode - RD43EB	79 -117
1402 0506	Diode - RD43EB	73 -117
1402 1057	Diode ARRAY - DAP202U	55 -147
1402 1057	Diode ARRAY - DAP202U	67 -146
1402 1336	Diode - 1SS355	55 -148
1402 1336	Diode - 1SS355	73 -118
1402 1336	Diode - 1SS355	79 -118
1402 1336	Diode - 1SS355	67 -147
1402 1343	Diode - RB106L-40	73 -119
1402 1343	Diode - RB106L-40	79 -119
1402 1384	Diode - UDZS12B	79 -120
1402 1384	Diode - UDZS12B	73 -120
1402 1505	Diode - UDZS5.6B	79 -121

Part No.	Description	Page and Index No.
1402 1505	Diode - UDZS5.6B	73 -121
1402 1565	Diode - RB	67 -148
1402 1565	Diode - RB	55 -149
1402 1584	Diode - DAN217U	79 -122
1402 1584	Diode - DAN217U	73 -122
1402 1584	Diode - DAN217U	55 -150
1402 1584	Diode - DAN217U	67 -149
1402 1607	Diode - S1NB60	79 -123
1402 1647	Diode - UDZS3.6B	79 -124
1402 1647	Diode - UDZS3.6B	73 -123
1402 1734	Diode - 1SR156-400	73 -124
1402 1734	Diode - 1SR156-400	79 -125
1403 0812	Photocoupler - PS2532-1-V	79 -126
1403 0953	LED - SML-310MT	73 -125
1403 0953	LED - SML-310MT	79 -127
1403 0996	LED - SML-310VT	67 -150
1403 0996	LED - SML-310VT	55 -151
1403 0996	LED - SML-310VT	73 -126
1403 0996	LED - SML-310VT	79 -128
1404 0983	Arrestor- RA-102MS-V7-F(5)	79 -129
1404 1033	Varistor - TNR9SE431K	73 -127
1404 1038	Varistor - TISP4350H3BJ	73 -128
1404 1038	Varistor - TISP4350H3BJ	79 -130
1407 2219	IC - TD62003AP	67 -151
1407 2219	IC - TD62003AP	55 -152
1407 5343	IC - SN74LV240APW	55 -153
1407 5343	IC - SN74LV240APW	67 -152
1407 5353	IC - SN74LV244APW	67 -153
1407 5353	IC - SN74LV244APW	55 -154
1407 5369	IC - SN74AHCT32PW	67 -154
1407 5369	IC - SN74AHCT32PW	55 -155
1407 5374	IC - SN74LV4052APW	67 -155
1407 5374	IC - SN74LV4052APW	55 -156
1407 5441	IC - 74LVC00A:TSOP	79 -131
1407 5441	IC - 74LVC00A:TSOP	73 -129

Part No.	Description	Page and Index No.
1407 5469	IC - SN74LV07APW	55 -157
1407 5469	IC - SN74LV07APW	67 -156
1407 5509	IC - SN74AHCT08PW	67 -157
1407 5509	IC - SN74AHCT08PW	55 -158
1407 5555	IC - SN74AHCT126PW	55 -159
1407 5588	IC - MTD2006F	67 -158
1407 5588	IC - MTD2006F	55 -160
1407 5858	IC - SI3016	73 -130
1407 5858	IC - SI3016	79 -132
1407 5886	CPU - HD6412390F20	55 -161
1407 5886	CPU - HD6412390F20	67 -159
1407 5958	CMOS Locic:SN74AHCT86PW	67 -160
1407 5958	CMOS Locic:SN74AHCT86PW	55 -162
1407 5976	IC:SN74LVC2G53DCT	67 -161
1407 5976	IC:SN74LVC2G53DCT	55 -163
1407 6032	IC - SN74LV161APW	67 -162
1407 6032	IC - SN74LV161APW	55 -164
1407 6089	CMOS Logic:SN74AHCT1G14DCK	67 -163
1407 6089	CMOS Logic:SN74AHCT1G14DCK	55 -165
1408 0227	Regulator - 12V	55 -166
1408 0227	Regulator - 12V	67 -164
1408 0810	IC - BA10358F	79 -133
1408 0810	IC - BA10358F	73 -131
1408 1290	Regulator - TA7805S	55 -167
1408 1290	Regulator - TA7805S	67 -165
1408 1550	IC - LM2902PW	55 -168
1408 1550	IC - LM2902PW	67 -166
1408 1581	A/D Converter - ADC1175-50CIMT	55 -169
1408 1581	A/D Converter - ADC1175-50CIMT	67 -167
1408 1585	IC - STK672-310	67 -168
1408 1585	IC - STK672-310	55 -170
1408 1688	IC - RN5RK	79 -134
1408 1688	IC - RN5RK	73 -132
1408 1774	Series Regulator:UPC2933AT	55 -171
1408 1774	Series Regulator:UPC2933AT	67 -169

Part No.	Description	Page and Index No.
1408 1818	Series Regulator - LM1117MP-1.8	67 -170
1408 1818	Series Regulator - LM1117MP-1.8	55 -172
1408 1829	Operational Amplifier:LM358PW	67 -171
1408 1829	Operational Amplifier:LM358PW	55 -173
1408 1861	Regulator - UPC2918T	73 -133
1408 1861	Regulator - UPC2918T	79 -135
1408 1929	IC - R3112Q441A	67 -172
1408 1929	IC - R3112Q441A	55 -174
1503 0460	Oscillator - 32.768KHZ	73 -134
1503 0460	Oscillator - 32.768KHZ	79 -136
1503 0993	Crystal Oscilator - 14.7456MHZ	67 -173
1503 0993	Crystal Oscilator - 14.7456MHZ	55 -175
1503 1004	Oscilator - 19.6608Mhz	73 -135
1503 1004	Oscilator - 19.6608Mhz	79 -137
1600 1418	Resistor - 1.0Ω 1W	55 -176
1600 1418	Resistor - 1.0Ω 1W	67 -174
1600 1684	Resistor:0.47 Ω:±5%:2W	55 -177
1600 1684	Resistor:0.47 Ω:±5%:2W	67 -175
1601 5442	Resistor - 220Ω ±5% 2W	55 -178
1601 5442	Resistor - 220Ω ±5% 2W	67 -176
1601 5492	Resistor - 47Ω ±5% 2W	55 -179
1601 5492	Resistor - 47Ω ±5% 2W	67 -177
1601 7751	Resistor - 4.7KΩ ±5%	55 -180
1601 7751	Resistor - 4.7KΩ ±5%	67 -178
1601 7752	Resistor Array - 10K Ω ±5%	79 -138
1601 7752	Resistor Array - 10K Ω ±5%	67 -179
1601 7752	Resistor Array - 10K Ω ±5%	73 -136
1601 7752	Resistor Array - 10K Ω ±5%	55 -181
1601 7757	Resistor 0Ω	55 -182
1601 7757	Resistor 0Ω	67 -180
1601 7760	Resistor Array	55 -183
1601 7760	Resistor Array	67 -181
1601 7791	Resistor Array - 1K Ω ±5%	55 -184
1601 7791	Resistor Array - 1K Ω ±5%	67 -182
1601 7867	Resistor - 33 Ω ±5% 1/16W	67 -183

Part No.	Description	Page and Index No.
1601 7867	Resistor - 33 Ω \pm 5% 1/16W	73 -137
1601 7867	Resistor - 33 Ω \pm 5% 1/16W	55 -185
1601 7867	Resistor - 33 Ω \pm 5% 1/16W	79 -139
1601 7871	Resistor - 68 Ω \pm 5% 1/16W	67 -184
1601 7871	Resistor - 68 Ω \pm 5% 1/16W	55 -186
1601 7872	Resistor Array - 220 Ω \pm 5% 1/16W	67 -185
1601 7872	Resistor Array - 220 Ω \pm 5% 1/16W	55 -187
1604 4716	Capacitor:330 μ F: \pm 20%:35V	67 -186
1604 4716	Capacitor:330 μ F: \pm 20%:35V	55 -188
1604 5210	Capacitor - 22 μ F \pm 20% 16V	79 -140
1604 5210	Capacitor - 22 μ F \pm 20% 16V	73 -138
1604 5211	Capacitor - 47 μ F \pm 20% 16V	79 -141
1604 5211	Capacitor - 47 μ F \pm 20% 16V	73 -139
1604 5212	Capacitor - 100 μ F \pm 20% 16V	79 -142
1604 5212	Capacitor - 100 μ F \pm 20% 16V	73 -140
1604 5213	Capacitor - 220 μ F \pm 20% 10V	73 -141
1604 5213	Capacitor - 220 μ F \pm 20% 10V	79 -143
1605 0832	Capacitor - 8PF \pm 0.5pF 50V	79 -144
1605 0976	Capacitor - 1 μ F +80% -20% 10V	79 -145
1605 0976	Capacitor - 1 μ F +80% -20% 10V	55 -189
1605 0976	Capacitor - 1 μ F +80% -20% 10V	73 -142
1605 0976	Capacitor - 1 μ F +80% -20% 10V	67 -187
1605 1107	Capacitor - 1000pF \pm 10% 50V	79 -146
1605 1107	Capacitor - 1000pF \pm 10% 50V	73 -143
1605 1148	Capacitor - 0.1 μ F +80-20% 50V	55 -190
1605 1148	Capacitor - 0.1 μ F +80-20% 50V	79 -147
1605 1148	Capacitor - 0.1 μ F +80-20% 50V	67 -188
1605 1148	Capacitor - 0.1 μ F +80-20% 50V	73 -144
1605 1154	Capacitor- 1 μ F \pm 10%16v	79 -148
1605 1154	Capacitor- 1 μ F \pm 10%16V	73 -145
1605 1163	Ceramic Capacitor - 560pf: \pm 5%:50V	73 -146
1605 1163	Ceramic Capacitor - 560pf: \pm 5%:50V	79 -149
1605 1167	Capacitor - 0.22 μ F \pm 10% 10V	73 -147
1605 1167	Capacitor - 0.22 μ F \pm 10% 10V	79 -150
1605 1176	Ceramic Capacitor 0.47 μ F +80-20%16V	67 -189

Part No.	Description	Page and Index No.
1605 1176	Ceramic Capacitor 0.47 μ F +80-20%16V	55 -191
1605 1190	Ceramic Capacitor - 0.022 μ F \pm 10% 50V	73 -148
1605 1190	Ceramic Capacitor - 0.022 μ F \pm 10% 50V	55 -192
1605 1190	Ceramic Capacitor - 0.022 μ F \pm 10% 50V	67 -190
1605 1190	Ceramic Capacitor - 0.022 μ F \pm 10% 50V	79 -151
1605 1225	Capacitor - 0.1 μ F \pm 10% 50V	73 -149
1605 1225	Capacitor - 0.1 μ F \pm 10% 50V	79 -152
1605 1229	Capacitor - 1.5 μ F \pm 10% 16V	73 -150
1605 1229	Capacitor - 1.5 μ F \pm 10% 16V	79 -153
1605 1275	Capacitor - 820pF \pm 5% 50V	79 -154
1605 1275	Capacitor - 820pF \pm 5% 50V	73 -151
1605 1281	Capacitor - 0.22 μ F \pm 10% 16V	79 -155
1605 1281	Capacitor - 0.22 μ F \pm 10% 16V	67 -191
1605 1281	Capacitor - 0.22 μ F \pm 10% 16V	55 -193
1605 1281	Capacitor - 0.22 μ F \pm 10% 16V	73 -152
1605 1295	Capacitor:10 μ F:+80-20%:10V	73 -153
1605 1295	Capacitor:10 μ F:+80-20%:10V	79 -156
1605 1306	Capacitor - 1 μ F \pm 10% 10V	73 -154
1605 1306	Capacitor - 1 μ F \pm 10% 10V	79 -157
1605 1353	Capacitor - 0.1 μ F \pm 10% 25V	55 -194
1605 1353	Capacitor - 0.1 μ F \pm 10% 25V	73 -155
1605 1353	Capacitor - 0.1 μ F \pm 10% 25V	67 -192
1605 1353	Capacitor - 0.1 μ F \pm 10% 25V	79 -158
1605 1396	Capacitor - 0.33 μ F \pm 10% 50V	73 -156
1605 1396	Capacitor - 0.33 μ F \pm 10% 50V	79 -159
1605 1397	Capacitor - 560pF \pm 10% 630V	79 -160
1605 1397	Capacitor - 560pF \pm 10% 630V	73 -157
1605 1398	Capacitor - 1000pF \pm 20% AC250V	73 -158
1605 1399	Capacitor - 3900pF \pm 5% 50V	73 -159
1605 1399	Capacitor - 3900pF \pm 5% 50V	79 -161
1605 1400	Capacitor - 150pF \pm 10% AC250V	73 -160
1605 1401	Capacitor - 0.01 μ F \pm 10% 250V	79 -162
1605 1401	Capacitor - 0.01 μ F \pm 10% 250V	73 -161
1605 1402	Capacitor - 1800pF \pm 5% 50V	73 -162
1605 1402	Capacitor - 1800pF \pm 5% 50V	79 -163

Part No.	Description	Page and Index No.
1605 1421	Capacitor - 150pF ±10% AC250V	79 -164
1605 1422	Capacitor - 1000pF ±20% AC250V	79 -165
1607 0069	Fuse - BL02RN2-R62-PB	79 -166
1607 0069	Fuse - BL02RN2-R62-PB	73 -163
1607 0425	Coil: SBT-0260	73 -164
1607 0824	Filter - BLM11A601SPB	55 -195
1607 0824	Filter - BLM11A601SPB	67 -193
1607 1013	EMI Filter-BLM11A102SPB	67 -194
1607 1013	EMI Filter-BLM11A102SPB	55 -196
1607 1014	EMI Filter - BLM11P600SPB	55 -197
1607 1014	EMI Filter - BLM11P600SPB	67 -195
1607 1142	Filter-BLM11B121SBPB	67 -196
1607 1142	Filter-BLM11B121SBPB	55 -198
1607 1196	Inductor -220uh ±20% 0.33A	73 -165
1607 1196	Inductor -220uh ±20% 0.33A	79 -167
1607 1284	Choke Coil - ST-110BV	73 -166
1607 1284	Choke Coil - ST-110BV	79 -168
1607 1342	Filter - BLM18BD121SN1B	55 -199
1607 1342	Filter - BLM18BD121SN1B	67 -197
1607 1387	Filter - BLM18BB600SN1B	55 -200
1607 1387	Filter - BLM18BB600SN1B	67 -198
1607 1461	Ferrite Core	7 -104
1607 1584	Inductor - LAV35VB151J	79 -169
1609 0005	Registor:33 Ω:±5%:1/16W	55 -201
1609 0005	Registor:33 Ω:±5%:1/16W	79 -170
1609 0005	Registor:33 Ω:±5%:1/16W	67 -199
1609 0005	Registor:33 Ω:±5%:1/16W	73 -167
1609 0006	Registor:10k Ω:±5%:1/16W	55 -202
1609 0006	Registor:10k Ω:±5%:1/16W	67 -200
1609 0006	Registor:10k Ω:±5%:1/16W	79 -171
1609 0006	Registor:10k Ω:±5%:1/16W	73 -168
1609 0007	Registor - 68Ω ±5% 1/16W	55 -203
1609 0007	Registor - 68Ω ±5% 1/16W	67 -201
1609 0026	Resistor - 47Ω ±5% 1/16W	73 -169
1609 0026	Resistor - 47Ω ±5% 1/16W	79 -172

Part No.	Description	Page and Index No.
1609 0027	Registor - 100KΩ±5% 1/16W	55 -204
1609 0027	Registor - 100KΩ±5% 1/16W	67 -202
1611 8181	Registor:180 Ω:±5%:1/4W	55 -205
1611 8181	Registor:180 Ω:±5%:1/4W	67 -203
1611 8510	Registor 51Ω ±5% 1/4W	55 -206
1611 8510	Registor 51Ω ±5% 1/4W	67 -204
1633 0000	Registor - 0 Ω 1/10W	55 -207
1633 0000	Registor - 0 Ω 1/10W	67 -205
1634 0000	Resistor - 0 Ω 1/16W	55 -208
1634 0000	Resistor - 0 Ω 1/16W	79 -173
1634 0000	Resistor - 0 Ω 1/16W	67 -206
1634 0000	Resistor - 0 Ω 1/16W	73 -170
1640 3221	Capacitor:220μF:±20%:35V	79 -174
1640 3221	Capacitor:220μF:±20%:35V	73 -171
1642 0101	Capacitor - 100μF ±20% 50V	55 -209
1642 0101	Capacitor - 100μF ±20% 50V	67 -207
1642 0220	Capacitor:22μF:±20%:10V	67 -208
1642 0220	Capacitor:22μF:±20%:10V	55 -210
1642 0470	Capacitor - 47μF ±20% 10V	67 -209
1642 0470	Capacitor - 47μF ±20% 10V	55 -211
1642 1470	Capacitor - 47μF ±20% 10V	55 -212
1642 1470	Capacitor - 47μF ±20% 10V	67 -210
1642 2470	Capacitor - 47μF ±20% 25V	55 -213
1642 2470	Capacitor - 47μF ±20% 25V	67 -211
1642 3330	Capacitor:33μF:±20%:35V	55 -214
1642 3330	Capacitor:33μF:±20%:35V	67 -212
1642 3470	Capacitor - 47μF ±20% 35V	55 -215
1642 3470	Capacitor - 47μF ±20% 35V	67 -213
1642 5100	Capacitor - 10μF ±20% 50V	55 -216
1642 5100	Capacitor - 10μF ±20% 50V	67 -214
1642 5220	Capacitor - 22μF ±20% 50V	55 -217
1642 5220	Capacitor - 22μF ±20% 50V	67 -215
1650 3101	Registor - 100Ω±5%1/8W	55 -218
1650 3101	Registor - 100Ω±5%1/8W	67 -216
1650 3102	Registor:1KΩ:±5%:1/8W:2125	55 -219

Part No.	Description	Page and Index No.
1650 3102	Resistor:1KΩ:±5%:1/8W:2125	67 -217
1650 4100	Resistor - 10Ω ±5% 1/10W	79 -175
1650 4100	Resistor - 10Ω ±5% 1/10W	55 -220
1650 4100	Resistor - 10Ω ±5% 1/10W	73 -172
1650 4100	Resistor - 10Ω ±5% 1/10W	67 -218
1650 4101	Resistor - 100Ω±5%1/10W	55 -221
1650 4101	Resistor - 100Ω±5%1/10W	67 -219
1650 4102	Resistor - 1KΩ ±5% 1/10W	73 -173
1650 4102	Resistor - 1KΩ ±5% 1/10W	67 -220
1650 4102	Resistor - 1KΩ ±5% 1/10W	79 -176
1650 4102	Resistor - 1KΩ ±5% 1/10W	55 -222
1650 4103	Resistor - 10KΩ ±5% 1/10W	73 -174
1650 4103	Resistor - 10KΩ ±5% 1/10W	67 -221
1650 4103	Resistor - 10KΩ ±5% 1/10W	55 -223
1650 4103	Resistor - 10KΩ ±5% 1/10W	79 -177
1650 4104	Resistor - 100KΩ±5%1/10W	55 -224
1650 4104	Resistor - 100KΩ±5%1/10W	73 -175
1650 4104	Resistor - 100KΩ±5%1/10W	79 -178
1650 4104	Resistor - 100KΩ±5%1/10W	67 -222
1650 4105	Resistor - 1MΩ ±5% 1/10W	67 -223
1650 4105	Resistor - 1MΩ ±5% 1/10W	55 -225
1650 4106	Resistor - 10MΩ±5%1/10W	79 -179
1650 4106	Resistor - 10MΩ±5%1/10W	73 -176
1650 4111	Chip Resistor:110KΩ:±5%:1/10W	67 -224
1650 4111	Chip Resistor:110KΩ:±5%:1/10W	55 -226
1650 4121	Resistor - 120Ω±5%1/10W	73 -177
1650 4121	Resistor - 120Ω±5%1/10W	67 -225
1650 4121	Resistor - 120Ω±5%1/10W	79 -180
1650 4121	Resistor - 120Ω±5%1/10W	55 -227
1650 4122	Resistor - 1.2KΩ ±5% 1/10W	67 -226
1650 4122	Resistor - 1.2KΩ ±5% 1/10W	55 -228
1650 4123	Resistor - 12KΩ±5%1/10W	67 -227
1650 4123	Resistor - 12KΩ±5%1/10W	55 -229
1650 4124	Resistor:120kΩ:±5%:1/10W	73 -178
1650 4124	Resistor:120kΩ:±5%:1/10W	79 -181

Part No.	Description	Page and Index No.
1650 4151	Resistor - 150Ω ±5%1/10W	55 -230
1650 4151	Resistor - 150Ω ±5%1/10W	67 -228
1650 4151	Resistor - 150Ω ±5%1/10W	79 -182
1650 4151	Resistor - 150Ω ±5%1/10W	73 -179
1650 4152	Resistor - 1.5KΩ ±5% 1/10W	55 -231
1650 4152	Resistor - 1.5KΩ ±5% 1/10W	67 -229
1650 4153	Resistor - 15K Ω ±5% 1/10W	55 -232
1650 4153	Resistor - 15K Ω ±5% 1/10W	67 -230
1650 4163	Resistor 16KΩ ±5% 1/10W 1608	55 -233
1650 4163	Resistor 16KΩ ±5% 1/10W 1608	67 -231
1650 4181	Resistor - 180Ω±5%1/10W	67 -232
1650 4181	Resistor - 180Ω±5%1/10W	55 -234
1650 4201	Resistor - 200Ω±5%1/10W	67 -233
1650 4201	Resistor - 200Ω±5%1/10W	55 -235
1650 4202	Resistor - 2KΩ±5%1/10W	55 -236
1650 4202	Resistor - 2KΩ±5%1/10W	67 -234
1650 4203	Resistor - 20KΩ ±5% 1/10W	55 -237
1650 4203	Resistor - 20KΩ ±5% 1/10W	67 -235
1650 4204	Resistor - 200KΩ±5%1/10W	79 -183
1650 4204	Resistor - 200KΩ±5%1/10W	73 -180
1650 4220	Chip Resistor - 22Ω ±5% 1/10W	73 -181
1650 4220	Chip Resistor - 22Ω ±5% 1/10W	79 -184
1650 4221	Resistor - 220Ω±5%1/10W	55 -238
1650 4221	Resistor - 220Ω±5%1/10W	67 -236
1650 4222	Resistor - 2.2KΩ±5%1/10W	55 -239
1650 4222	Resistor - 2.2KΩ±5%1/10W	67 -237
1650 4222	Resistor - 2.2KΩ±5%1/10W	79 -185
1650 4222	Resistor - 2.2KΩ±5%1/10W	73 -182
1650 4223	Resistor - 22KΩ±5%1/10W	73 -183
1650 4223	Resistor - 22KΩ±5%1/10W	79 -186
1650 4243	Resistor - 24KΩ±5%1/10W	67 -238
1650 4243	Resistor - 24KΩ±5%1/10W	55 -240
1650 4271	Resistor - 270Ω±5%1/10W	55 -241
1650 4271	Resistor - 270Ω±5%1/10W	67 -239
1650 4301	Chip Resistor:300KΩ:±5%:1/10W	67 -240

Part No.	Description	Page and Index No.
1650 4301	Chip Resistor:300KΩ:±5%:1/10W	55 -242
1650 4304	Resistor:300kΩ:±5%:1/10W	79 -187
1650 4304	Resistor:300kΩ:±5%:1/10W	73 -184
1650 4330	Chip Resistor - 33Ω ±5% 1/10W	73 -185
1650 4330	Chip Resistor - 33Ω ±5% 1/10W	79 -188
1650 4330	Chip Resistor - 33Ω ±5% 1/10W	67 -241
1650 4330	Chip Resistor - 33Ω ±5% 1/10W	55 -243
1650 4331	Resistor - 330Ω±5%1/10W	55 -244
1650 4331	Resistor - 330Ω±5%1/10W	79 -189
1650 4331	Resistor - 330Ω±5%1/10W	67 -242
1650 4331	Resistor - 330Ω±5%1/10W	73 -186
1650 4332	Resistor - 3.3KΩ±5%1/10W	55 -245
1650 4332	Resistor - 3.3KΩ±5%1/10W	67 -243
1650 4333	Resistor - 33KΩ±5%1/10W	79 -190
1650 4333	Resistor - 33KΩ±5%1/10W	73 -187
1650 4334	Resistor - 330KΩ±5%1/10W	73 -188
1650 4334	Resistor - 330KΩ±5%1/10W	79 -191
1650 4361	Resistor - 360Ω±5%1/10W	79 -192
1650 4470	Resistor - 47Ω±5%1/10W	73 -189
1650 4470	Resistor - 47Ω±5%1/10W	79 -193
1650 4471	Resistor - 470Ω±5%1/10W	67 -244
1650 4471	Resistor - 470Ω±5%1/10W	55 -246
1650 4472	Resistor - 4.7KΩ ±5% 1/10W	79 -194
1650 4472	Resistor - 4.7KΩ ±5% 1/10W	67 -245
1650 4472	Resistor - 4.7KΩ ±5% 1/10W	73 -190
1650 4472	Resistor - 4.7KΩ ±5% 1/10W	55 -247
1650 4473	Resistor - 47KΩ±5%1/10W	67 -246
1650 4473	Resistor - 47KΩ±5%1/10W	55 -248
1650 4474	Chip Resistor:470kΩ:±5%:1/10W	79 -195
1650 4474	Chip Resistor:470kΩ:±5%:1/10W	73 -191
1650 4511	Resistor - 510Ω±5%1/10W	79 -196
1650 4511	Resistor - 510Ω±5%1/10W	73 -192
1650 4511	Resistor - 510Ω±5%1/10W	55 -249
1650 4511	Resistor - 510Ω±5%1/10W	67 -247
1650 4561	Resistor - 560Ω ±5% 1/10W	67 -248

Part No.	Description	Page and Index No.
1650 4561	Resistor - 560Ω ±5% 1/10W	55 -250
1650 4561	Resistor - 560Ω ±5% 1/10W	79 -197
1650 4561	Resistor - 560Ω ±5% 1/10W	73 -193
1650 4562	Resistor - 5.6KΩ ±5% 1/10W	79 -198
1650 4562	Resistor - 5.6KΩ ±5% 1/10W	73 -194
1650 4563	Resistor - 56KΩ±5%1/10W	73 -195
1650 4563	Resistor - 56KΩ±5%1/10W	79 -199
1650 4624	Resistor - 620KΩ ±5% 1/10W	55 -251
1650 4624	Resistor - 620KΩ ±5% 1/10W	67 -249
1650 4680	Resistor - 68Ω±5%1/10W	79 -200
1650 4680	Resistor - 68Ω±5%1/10W	73 -196
1650 4680	Resistor - 68Ω±5%1/10W	67 -250
1650 4680	Resistor - 68Ω±5%1/10W	55 -252
1650 4681	Resistor - 680Ω ±5% 1/10W	67 -251
1650 4681	Resistor - 680Ω ±5% 1/10W	55 -253
1650 4682	Resistor - 6.8KΩ ±5% 1/10W	67 -252
1650 4682	Resistor - 6.8KΩ ±5% 1/10W	55 -254
1650 4750	Resistor - 75Ω±5%1/10W	67 -253
1650 4750	Resistor - 75Ω±5%1/10W	55 -255
1650 4821	Chip Resistor - 820Ω ±5% 1/10W	67 -254
1650 4821	Chip Resistor - 820Ω ±5% 1/10W	55 -256
1650 4822	Chip Resistor:8.2KΩ:±5%:1/10W	67 -255
1650 4822	Chip Resistor:8.2KΩ:±5%:1/10W	55 -257
1650 4912	Resistor - 9.1KΩ±5%1/10W	73 -197
1650 4912	Resistor - 9.1KΩ±5%1/10W	79 -201
1650 4913	Resistor - 91KΩ±5%1/10W	55 -258
1650 4913	Resistor - 91KΩ±5%1/10W	67 -256
1652 5361	Resistor - 5.36KΩ±1%1/4W	73 -198
1652 5361	Resistor - 5.36KΩ±1%1/4W	79 -202
1654 1000	Resistor - 100Ω ±1% 1/10W	67 -257
1654 1000	Resistor - 100Ω ±1% 1/10W	55 -259
1654 1001	Resistor - 1KΩ±1%1/10W	79 -203
1654 1002	Resistor - 10KΩ±5%1/10W	55 -260
1654 1002	Resistor - 10KΩ±5%1/10W	67 -258
1654 1003	Resistor - 100KΩ±1%1/10W	73 -199

Part No.	Description	Page and Index No.
1654 1003	Resistor - 100K Ω \pm 1%1/10W	55 -261
1654 1003	Resistor - 100K Ω \pm 1%1/10W	67 -259
1654 1003	Resistor - 100K Ω \pm 1%1/10W	79 -204
1654 1021	Resistor - 1.02K Ω \pm 1%1/10W	67 -260
1654 1021	Resistor - 1.02K Ω \pm 1%1/10W	55 -262
1654 1100	Resistor - 110 Ω \pm 1% 1/10W	67 -261
1654 1100	Resistor - 110 Ω \pm 1% 1/10W	55 -263
1654 1200	Resistor - 120 Ω \pm 1% 1/10W	79 -205
1654 1200	Resistor - 120 Ω \pm 1% 1/10W	73 -200
1654 1302	Chip Resistor:13K Ω : \pm 1%:1/10W:1608	55 -264
1654 1302	Chip Resistor:13K Ω : \pm 1%:1/10W:1608	67 -262
1654 1500	Resistor - 150 Ω \pm 1 %1/10W	55 -265
1654 1500	Resistor - 150 Ω \pm 1 %1/10W	67 -263
1654 1501	Resistor - 1.5K Ω \pm 1% 1/10W 1608	67 -264
1654 1501	Resistor - 1.5K Ω \pm 1% 1/10W 1608	55 -266
1654 1802	Resistor - 18K Ω \pm 1%1/10W	67 -265
1654 1802	Resistor - 18K Ω \pm 1%1/10W	55 -267
1654 1803	Resistor - 180K Ω \pm 1%1/10W	67 -266
1654 1803	Resistor - 180K Ω \pm 1%1/10W	55 -268
1654 2002	Resistor - 20K Ω \pm 1%1/10W	67 -267
1654 2002	Resistor - 20K Ω \pm 1%1/10W	79 -206
1654 2002	Resistor - 20K Ω \pm 1%1/10W	55 -269
1654 2002	Resistor - 20K Ω \pm 1%1/10W	73 -201
1654 2100	Chip Resistor:210oh: \pm 1%:1/10W:1608	67 -268
1654 2100	Chip Resistor:210oh: \pm 1%:1/10W:1608	55 -270
1654 2200	Resistor:220 Ω : \pm 1%:1/10W:1608	55 -271
1654 2200	Resistor:220 Ω : \pm 1%:1/10W:1608	79 -207
1654 2200	Resistor:220 Ω : \pm 1%:1/10w:1608	67 -269
1654 2200	Resistor:220 Ω : \pm 1%:1/10W:1608	73 -202
1654 2400	Resistor:240: Ω \pm 1%:1/10W	67 -270
1654 2400	Resistor:240: Ω \pm 1%:1/10W	55 -272
1654 2402	Chip Resistor:24K Ω : \pm 1%:1/10W	67 -271
1654 2402	Chip Resistor:24K Ω : \pm 1%:1/10W	55 -273
1654 2403	Chip Resistor:240K Ω : \pm 1%:1/10W:1608	55 -274
1654 2403	Chip Resistor:240K Ω : \pm 1%:1/10W:1608	67 -272

Part No.	Description	Page and Index No.
1654 2430	Resistor - 243 Ω \pm 1% 1/10W	73 -203
1654 2430	Resistor - 243 Ω \pm 1% 1/10W	79 -208
1654 2551	Resistor - 2.55K Ω \pm 1% 1/10W	55 -275
1654 2551	Resistor - 2.55K Ω \pm 1% 1/10W	67 -273
1654 2701	Resistor - 2.7K Ω \pm 1% 1/10W	55 -276
1654 2701	Resistor - 2.7K Ω \pm 1% 1/10W	67 -274
1654 2702	Resistor - 27K Ω \pm 1%1/10W	55 -277
1654 2702	Resistor - 27K Ω \pm 1%1/10W	67 -275
1654 3002	Resistor - 30K Ω \pm 1%1/10W	55 -278
1654 3002	Resistor - 30K Ω \pm 1%1/10W	67 -276
1654 3160	Resistor:316 Ω : \pm 1%:1/10W:1608	55 -279
1654 3160	Resistor:316 Ω : \pm 1%:1/10W:1608	67 -277
1654 3302	Chip Resistor:33K Ω : \pm 1%:1/10W:1608	67 -278
1654 3302	Chip Resistor:33K Ω : \pm 1%:1/10W:1608	55 -280
1654 3609	Resistor - 36 Ω \pm 1%1/10W	73 -204
1654 3609	Resistor - 36 Ω \pm 1%1/10W	79 -209
1654 3740	Chip Resistor:374 Ω : \pm 1%:1/10W:1608	55 -281
1654 3740	Chip Resistor:374 Ω : \pm 1%:1/10W:1608	67 -279
1654 3900	Resistor:390 Ω : \pm 1%:1/10W	55 -282
1654 3900	Resistor:390 Ω : \pm 1%:1/10W	67 -280
1654 4220	Resistor - 422 Ω \pm 1% 1/10W	67 -281
1654 4220	Resistor - 422 Ω \pm 1% 1/10W	55 -283
1654 4301	Resistor - 4.3K Ω \pm 1%1/10W	73 -205
1654 4301	Resistor - 4.3K Ω \pm 1%1/10W	79 -210
1654 4700	Resistor - 470 Ω \pm 1%1/10W	55 -284
1654 4700	Resistor - 470 Ω \pm 1%1/10W	67 -282
1654 5600	Resistor - 560 Ω \pm 1% 1/10W	55 -285
1654 5600	Resistor - 560 Ω \pm 1% 1/10W	67 -283
1654 6800	Resistor - 680 Ω \pm 1% 1/10W	55 -286
1654 6800	Resistor - 680 Ω \pm 1% 1/10W	67 -284
1654 6981	Resistor - 6.98K Ω \pm 1% 1/10W	67 -285
1654 6981	Resistor - 6.98K Ω \pm 1% 1/10W	55 -287
1654 7509	Resistor - 75 Ω \pm 1% 1/10W	67 -286
1654 7509	Resistor - 75 Ω \pm 1% 1/10W	55 -288
1654 8209	Resistor - 82 Ω \pm 1% 1/10W	67 -287

Part No.	Description	Page and Index No.
1654 8209	Resistor - 82Ω±1% 1/10W	55 -289
1654 9101	Resistor:9.1KΩ:±1%:1/10W	67 -288
1654 9101	Resistor:9.1KΩ:±1%:1/10W	55 -290
1654 9310	Resistor:931 Ω:±1%:1/10W:1608	67 -289
1654 9310	Resistor:931 Ω:±1%:1/10W:1608	55 -291
1654 9311	Resistor - 9.31KΩ ±1% 1/10W	73 -206
1654 9311	Resistor - 9.31KΩ ±1% 1/10W	79 -211
1660 0100	Capacitor - 10PF ±0.5pF 50V	73 -207
1660 0100	Capacitor - 10PF ±0.5pF 50V	79 -212
1660 0100	Capacitor - 10PF ±0.5pF 50V	55 -292
1660 0100	Capacitor - 10PF ±0.5pF 50V	67 -290
1660 2101	Capacitor - 100pF - ±10% - 50V	67 -291
1660 2101	Capacitor - 100pF - ±10% - 50V	55 -293
1660 2120	Capacitor - 12 pF ±5% 50V	79 -213
1660 2120	Capacitor - 12 pF ±5% 50V	67 -292
1660 2120	Capacitor - 12 pF ±5% 50V	55 -294
1660 2120	Capacitor - 12 pF ±5% 50V	73 -208
1660 2121	Capacitor - 120pF ±5% 50V	73 -209
1660 2121	Capacitor - 120pF ±5% 50V	79 -214
1660 2150	Capacitor - 15pF ±5% 50V	73 -210
1660 2150	Capacitor - 15pF ±5% 50V	67 -293
1660 2150	Capacitor - 15pF ±5% 50V	79 -215
1660 2150	Capacitor - 15pF ±5% 50V	55 -295
1660 2151	Capacitor - 150pF ±20% 35V	67 -294
1660 2151	Capacitor - 150pF ±20% 35V	55 -296
1660 2180	Capacitor 18pF ±5% 50v	73 -211
1660 2180	Capacitor 18pF ±5% 50v	79 -216
1660 2181	Capacitor - 180pF ±5% 50V	67 -295
1660 2181	Capacitor - 180pF ±5% 50V	55 -297
1660 2220	Capacitor - 22pF ±20% 35V	55 -298
1660 2220	Capacitor - 22pF ±20% 35V	67 -296
1660 2221	Capacitor - 220pF +80-20% 50V	55 -299
1660 2221	Capacitor - 220pF +80-20% 50V	67 -297
1660 2270	Capacitor - 27pF ±20% 35V	55 -300
1660 2270	Capacitor - 27pF ±20% 35V	67 -298

Part No.	Description	Page and Index No.
1660 2271	Capacitor - 270pF - +80-20% - 50V	55 -301
1660 2271	Capacitor - 270pF - +80-20% - 50V	67 -299
1660 2330	Capacitor - 33pF - ±5% - 50V	55 -302
1660 2330	Capacitor - 33pF - ±5% - 50V	67 -300
1660 2331	Capacitor - 330pF ±5% 50V	73 -212
1660 2331	Capacitor - 330pF ±5% 50V	79 -217
1660 2390	Ceramic Capacitor - 39pF 50V	55 -303
1660 2390	Ceramic Capacitor - 39pF 50V	67 -301
1660 2391	Capacitor - 390pF ±5% 50V	67 -302
1660 2391	Capacitor - 390pF ±5% 50V	55 -304
1660 2470	Capacitor - 47pF ±5% 50V	67 -303
1660 2470	Capacitor - 47pF ±5% 50V	55 -305
1660 2471	Capacitor - 470pF - ±5% - 50V	73 -213
1660 2471	Capacitor - 470pF - ±5% - 50V	67 -304
1660 2471	Capacitor - 470pF - ±5% - 50V	55 -306
1660 2471	Capacitor - 470pF - ±5% - 50V	79 -218
1660 2560	Capacitor - 56pF ±5% 50V	73 -214
1660 2560	Capacitor - 56pF ±5% 50V	79 -219
1660 2820	Capacitor - 82pF ±5% 50V	67 -305
1660 2820	Capacitor - 82pF ±5% 50V	55 -307
1660 4102	Capacitor - 1000pF ±10% 50V	55 -308
1660 4102	Capacitor - 1000pF ±10% 50V	67 -306
1660 4103	Capacitor - 10000pF - ±10% - 50V	79 -220
1660 4103	Capacitor - 10000pF - ±10% - 50V	73 -215
1660 4103	Capacitor - 10000pF - ±10% - 50V	67 -307
1660 4103	Capacitor - 10000pF - ±10% - 50V	55 -309
1660 4152	Capacitor - 1500pF ±10% 50V	55 -310
1660 4152	Capacitor - 1500pF ±10% 50V	67 -308
1660 4222	Capacitor - 2200pF - ±10% - 50V	55 -311
1660 4222	Capacitor - 2200pF - ±10% - 50V	67 -309
1660 4222	Capacitor - 2200pF - ±10% - 50V	79 -221
1660 4222	Capacitor - 2200pF - ±10% - 50V	73 -216
1660 4332	Capacitor - 3300pF - ±10% - 50V	67 -310
1660 4332	Capacitor - 3300pF - ±10% - 50V	55 -312
1660 4682	Capacitor - 6800pF 50V 1608	79 -222

Part No.	Description	Page and Index No.
1660 4682	Capacitor - 6800pF 50V 1608	73 -217
1660 6103	Capacitor - 10000pF - +80%-20%50V	67 -311
1660 6103	Capacitor - 10000pF - +80%-20%50V	55 -313
1660 6473	Capacitor - 47000pF +80,-20% 50V	67 -312
1660 6473	Capacitor - 47000pF +80,-20% 50V	55 -314
1660 8104	Capacitor - 0.1μF +80-20% 25V	67 -313
1660 8104	Capacitor - 0.1μF +80-20% 25V	55 -315
1660 8104	Capacitor - 0.1μF +80-20% 25V	79 -223
1660 8104	Capacitor - 0.1μF +80-20% 25V	73 -218
1902 0068	SRAM:1M:X8:TSOP:G4	67 -314
1902 0068	SRAM:1M:X8:TSOP:G4	55 -316
1906 0018	Flash Memory - MBM29F160BE70TN	67 -315
1906 0018	Flash Memory - MBM29F160BE70TN	55 -317
1907 0022	SDRAM 64M 1MX16X4 133MHZ G1	79 -224
1907 0022	SDRAM 64M 1MX16X4 133Mhz G1	73 -219
1907 0031	SDRAM:128M:2MX16X4:133MHZ:G3	55 -318

Part No.	Description	Page and Index No.
5053 0447	Bushing - 6mm	15 - 41
5053 0447	Bushing - 6mm	37 - 44
5203 9502	Grease 501	85 - 1
5215 2713	Bottom Plate Pad	11 - 12
5215 2713	Bottom Plate Pad	17 - 19
5424 4142	Bushing - Cleaning Roller	37 - 36
5447 2681	Snap Ring	11 - 5