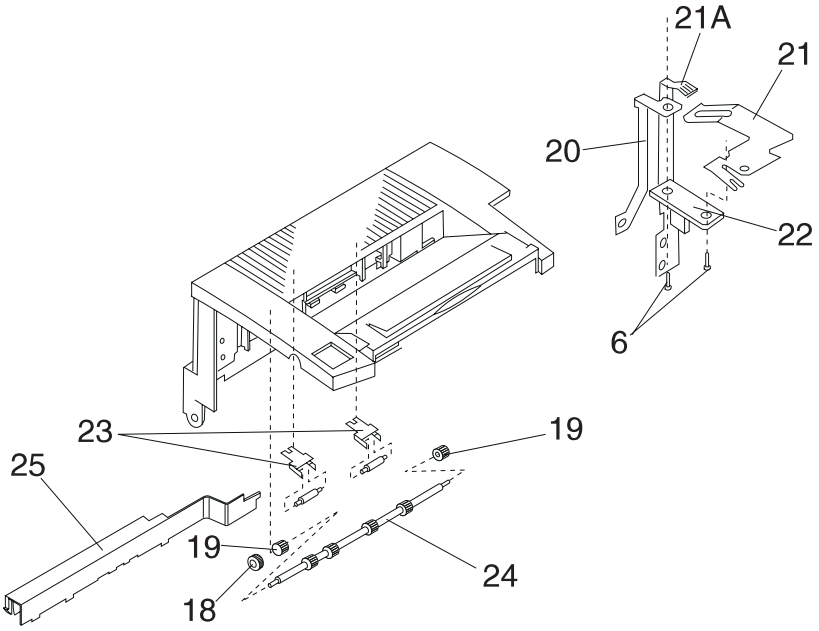


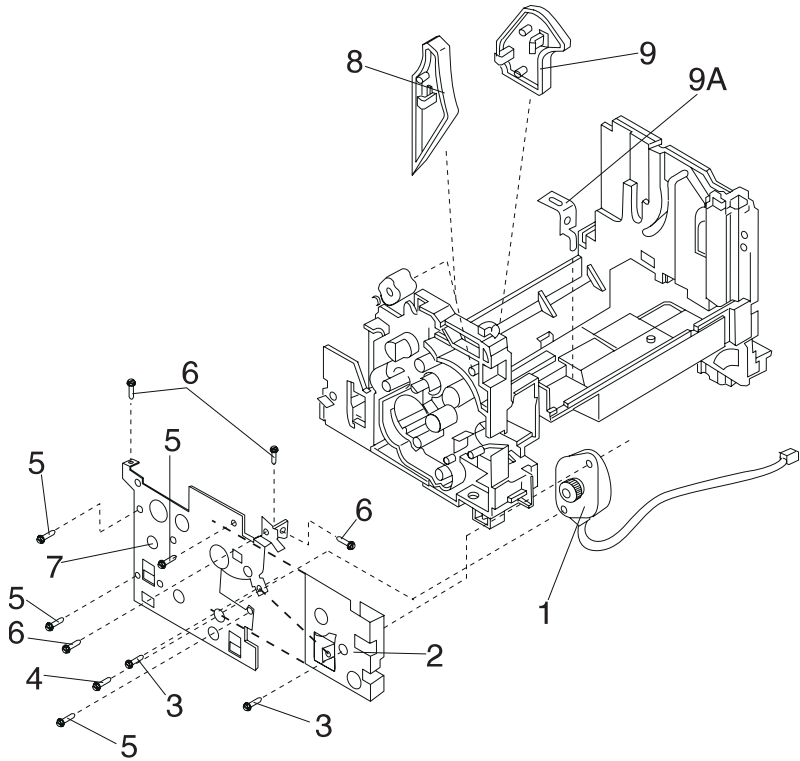
Assembly 1: Covers (continued)



**4026-0XX**

<b>Asm-Index</b>	<b>Part Number</b>	<b>Units</b>	<b>Description</b>
1-18	69G8337	1	Gear, 15T
1-19	69G8338	2	Bushing
1-20	11A7404	1	Terminal, PWB-R to Fuser Frame
1-21	69G9998	1	Terminal, Paper Feed Exit Shaft to Board PWB-R
1-21A	11A7403	1	Terminal, Top Cover Ground to PWB-T
1-22	69G9999	1	Board, PWB-R
1-23	69G9971	2	Exit Paper Feed Roller/Clip Assembly
1-24	69G8336	1	Exit Paper Feed Roller/Shaft Assembly 06A/ 06B/06D/06J/070
1-24	11A7465	1	Exit Paper Feed Roller/Shaft Assembly 06C/ 06F/071
1-25	69G8304	1	Cover, Wiring Harness Cable

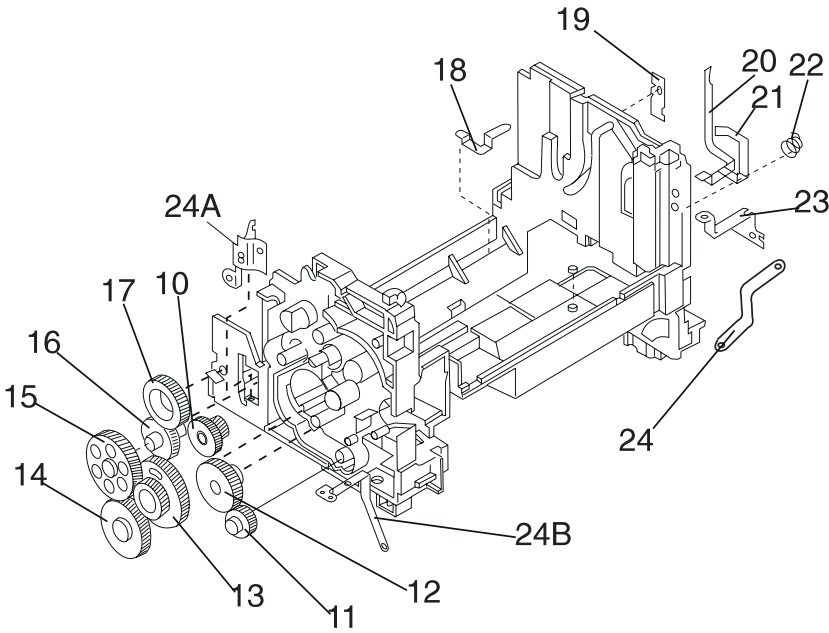
Assembly 2: Frame



**4026-0XX**

<b>Asm-Index</b>	<b>Part Number</b>	<b>Units</b>	<b>Description</b>
2-1	69G9962	1	Motor, Main Drive 06A/06B/06D/06J/070
2-1	11A7381	1	Motor, Main Drive 06C/06F/071
2-2	69G9691	1	Left Side Plate Motor Bracket 06A/06B/06D/ 06J/070
2-2	11A7382	1	Left Side Plate Motor Bracket 06C/06F/071
2-3		2	Screw, Type 1308 PP 69G9974
2-4		1	Screw, Type 3501 PP 69G9974
2-5		3	Screw, Type 3704 PP 69G9974
2-6		2	Screw, Type 3504 PP 69G9974
2-7	69G8345	1	Left Side Plate
2-8	69G8346	1	Guide, photoconductor unit
2-9	69G8347	1	Guide, Toner Cartridge/Photoconductor Unit
2-9A	11A7420	1	Bracket, Printhead Mounting

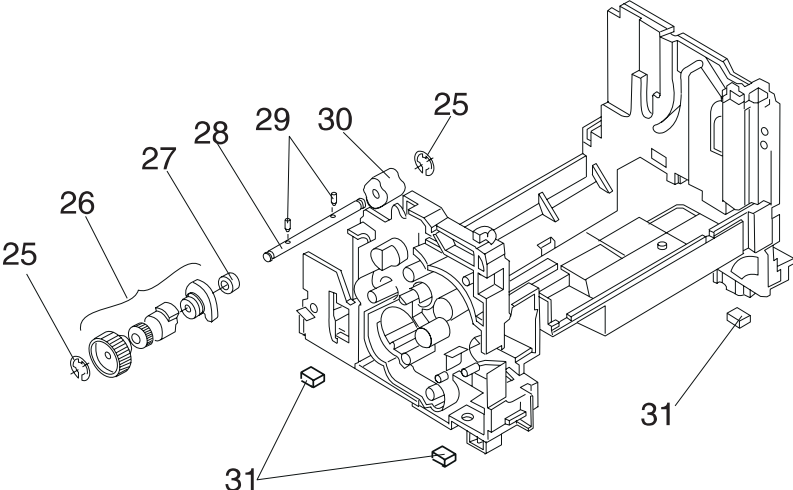
Assembly 2: Frame (continued)



**4026-0XX**

<b>Asm-Index</b>	<b>Part Number</b>	<b>Units</b>	<b>Description</b>
2-10		1	Gear, 20/41T PP 69G9989
2-11		1	Gear, 29T PP 69G9989
2-12		1	Gear, 22/57T PP 69G9989
2-13		1	Gear, 44/109T PP 69G9989
2-14		1	Gear, 29/65T PP 69G9989
2-15		1	Gear, 25/72T PP 69G9989
2-16		1	Gear, 22/45T PP 69G9989
2-17		1	Gear, 50T PP 69G9989
2-18	69G8358	1	Terminal, Rt Side Ground LVPS to Bd Cage
2-19	69G8360	1	Terminal, Rt Side Photoconductor Unit Ground
2-20	69G8361	1	Terminal, Rt Side, Photoconductor Unit Charge Bias
2-21	69G8362	1	Terminal, Rt Side Toner Cartridge
2-22	69G8357	1	Spring, Rt Side Frame, Cartridge Latching PP 69G9987
2-23	69G8359	1	Terminal, Rt Side Ground HVPS to Bd Cage
2-24	69G9982	1	Terminal, Ground
2-24A	11A7424	1	Terminal, Left Side Plate to LVPS
2-24B	11A7425	1	Terminal, Left Side Plate to Lift Plate

Assembly 2: Frame (continued)

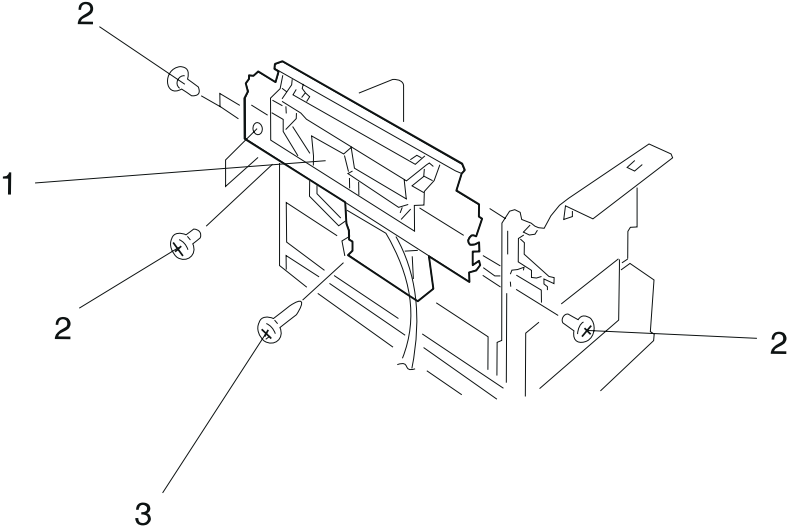


**4026-0XX**

<b>Asm-Index</b>	<b>Part Number</b>	<b>Units</b>	<b>Description</b>
2-25		2	C-Clip, Type 9107 PP 69G9986
2-26	69G8377	1	Clutch Cam Assembly
2-27	69G8379	1	Bushing
2-28	69G8393	1	D-Roll Shaft
2-29	69G9991	2	Pin, D-Roll Shaft
2-30	69G8375	1	D-Roll
2-31	69G8363	4	Rubber Foot 06A/06B/06D/06J
2-31	11A7467	4	Rubber Foot 06C/06F



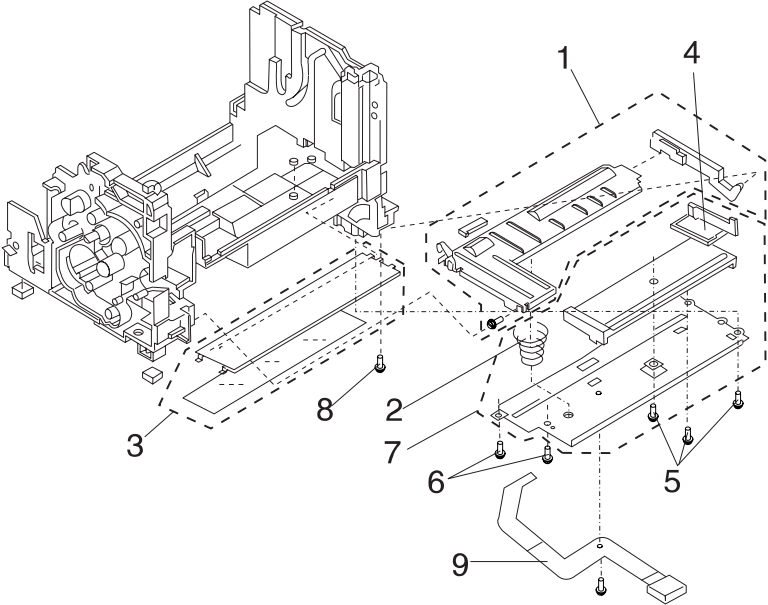
Assembly 3: Printhead



**4026-0XX**

<b>Asm-Index</b>	<b>Part Number</b>	<b>Units</b>	<b>Description</b>
3-1	69G8364	1	Printhead Assembly 600 dpi
3-2		5	Screw, Type 3504 PP 69G9974
3-3		1	Screw, Type 3519 PP 69G9974

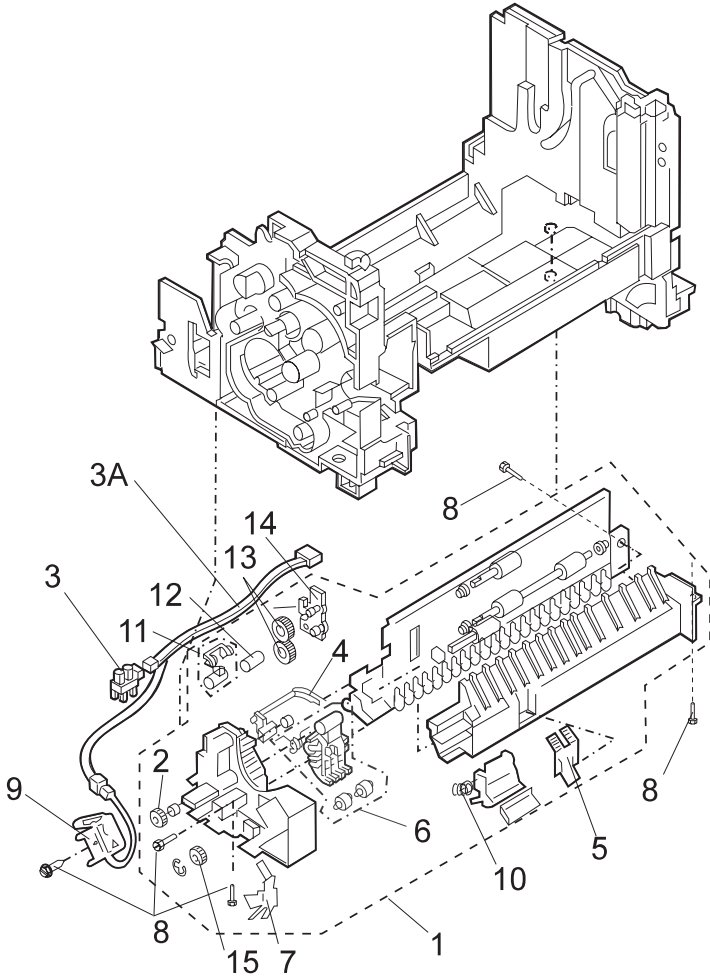
Assembly 4: Paper Feed Input Tray



**4026-0XX**

<b>Asm-Index</b>	<b>Part Number</b>	<b>Units</b>	<b>Description</b>
4-1	11A7419	1	Lift Plate Assembly
4-2	69G8367	1	Pressure Spring
4-3	69G8394	1	Guide Plate, Manual Feed 06A/06B/06D/06J/ 070
4-3	11A7460	1	Guide Plate, Manual Feed 06C/06F/071
4-4	69G8366	1	Guide, Movable Paper
4-5		3	Screw, Type 3704 PP 69G9974
4-6		2	Screw, Type 3504 PP 69G9974
4-7	69G8365	1	Paper Feed Input Tray Assembly 06A/06B/06D/06J/070
4-7	11A7466	1	Paper Feed Input Tray Assembly 06C/06F
4-8		1	Screw, Type 3907 PP 69G9974
4-9	11A7462	1	Lever, Print Media Selection w/screw 06C/06F/ 071

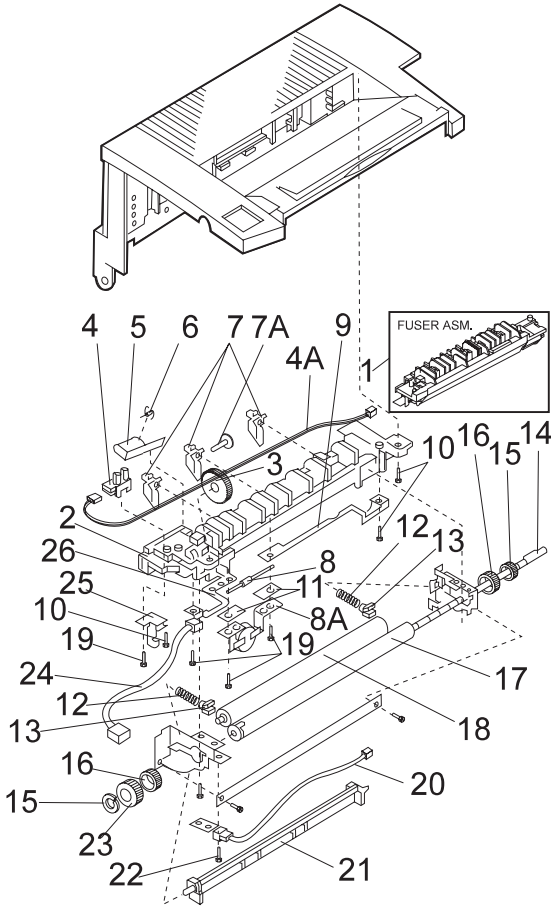
Assembly 5: Paper Feed Frame



**4026-0XX**

<b>Asm-Index</b>	<b>Part Number</b>	<b>Units</b>	<b>Description</b>
5-1	69G8368	1	Paper Feed Frame Assembly 06A/06B/06D/06J/070
5-1	11A7384	1	Paper Feed Frame Assembly 06C/06F/071
5-2	69G8369	1	Gear, 16T Top Paper Feed
5-3	69G8371	1	Sensor, Paper Entry
5-3A	11A7409	1	Cable, Input Sensor/Solenoid to Engine Board
5-4	69G8372	1	Flag, Paper Entry Sensor
5-5	69G8373	1	Separator, Paper 06A/06B/06D/06J070
5-5	11A7459	1	Separator, Paper 06C/06F/071
5-6	11A7442	1	Front Paper Feed Pressure Roller Assembly
5-7	69G8374	1	Terminal, Solenoid Ground
5-8		5	Screw, Type 3907 PP 69G9974
5-9	69G8370	1	Solenoid, Paper Feed
5-10	11A7386	2	Spring, Pressure 06C/06F/071
5-11	11A7385	1	Bracket, Rear Paper Feed Pressure Roller 06C/06F/071
5-12	11A7389	1	Rear Paper Feed Pressure Roller 06C/06F/071
5-13	11A7387	2	Gears, Idler 16T 06C/06F/071
5-14	11A7388	1	Bracket, Idler Gear 06C/06F/071
5-15	11A7461	1	Gear, 16T Bottom Paper Feed

Assembly 6: Fuser

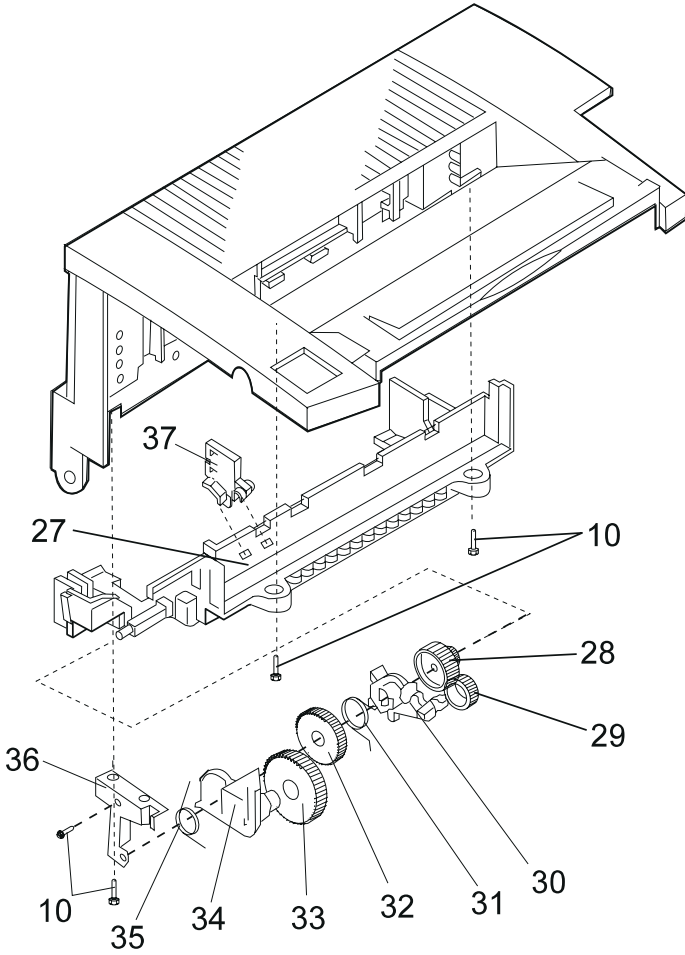


**4026-0XX**

<b>Asm-Index</b>	<b>Part Number</b>	<b>Units</b>	<b>Description</b>
6-1	69G8312	1	Fuser Assembly, 120 V ac 06A/06B/06D/070
6-1	11A7390	1	Fuser Assembly, 120 V ac 06C/06F/071
6-1	11A7455	1	Fuser Assembly, 100 V ac 06J
6-1	69G8313	1	Fuser Assembly, 220/230 V ac 06A/06B/06D/070
6-1	11A7391	1	Fuser Assembly, 220/230 V ac 06C/06F/071
6-2	69G8328	1	Lower Fuser Assembly 06A/06B/06D/06J/070
6-2	11A7392	1	Lower Fuser Assembly 06C/06F/071
6-3		1	Gear, 40T PP 69G9988
6-4	69G8371	1	Sensor, Paper Exit
6-4A	11A7408	1	Cable, Paper Exit Sensor
6-5	69G8332	1	Flag, Paper Exit Sensor
6-6	11A7423	1	Spring, Exit Sensor Flag
6-7	69G8333	3	Separator, Paper Hot Roll 06A/06B/06D/06J/070
6-7	11A7393	3	Separator, Paper Hot Roll 06C/06F/071
6-7A	11A7421	1	Separator Roll
6-8	69G8314	1	Thermal Fuse 06A/06B/06D/06J/070
6-8A	11A7394	1	Thermostat 06C/06F/071
6-9	69G8327	1	Terminal, Fuser Lamp Right Side 06A/06B/06D/06J/070
6-9	11A7395	1	Terminal, Thermostat/Fuser Lamp Right Side 06C/06F/071
6-10		9	Screw, Type 3704 PP 69G9974
6-11	69G8329	2	Support Plate, Thermal Fuse 06A/06B/06D/06J/071
6-12	69G9973	2	Spring, Backup Roll PP 69G9987
6-13	11A7422	2	Bracket, Backup Roll Spring
6-14	69G8315	1	Fuser Lamp, 120 V ac
6-14	69G8316	1	Fuser Lamp, 220/230 V ac
6-14	11A7456	1	Fuser Lamp, 100 V ac 06J
6-15	69G9694	2	G-Ring, Hot Roll
6-16	69G9695	2	Bearing, Hot Roll
6-17	69G9977	1	Hot Roll 06A/06B/06D/06J/070
6-17	11A7396	1	Hot Roll 06C/06F/071



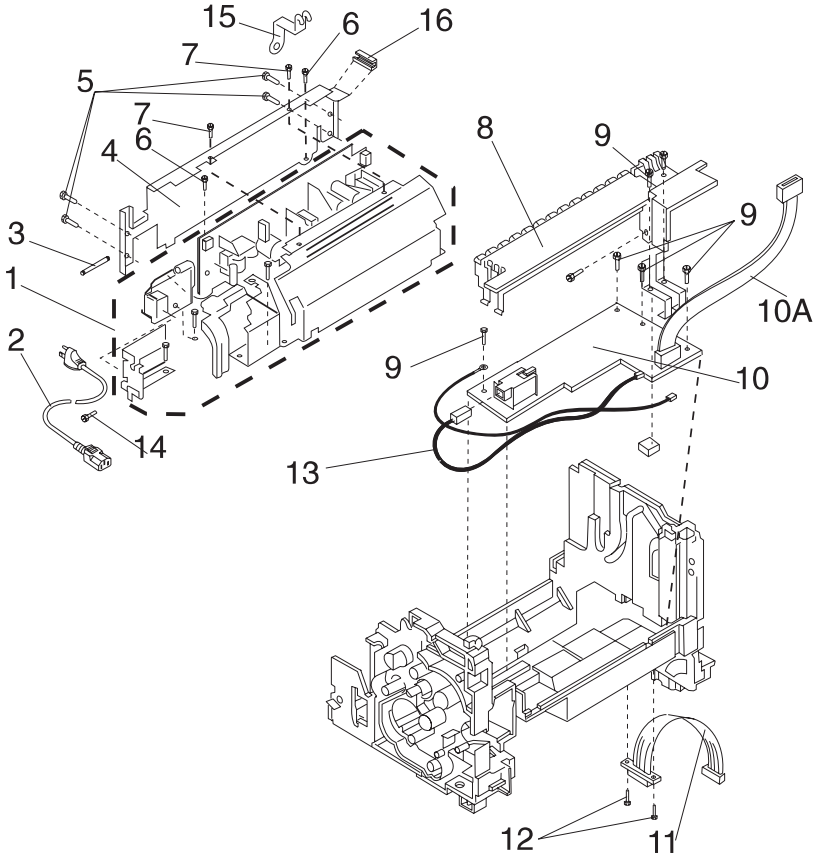
Assembly 6: Fuser (continued)



**4026-0XX**

<b>Asm-Index</b>	<b>Part Number</b>	<b>Units</b>	<b>Description</b>
6-18	69G9978	1	Backup Roll 06A/06B/06D/06J/070
6-18	11A7397	1	Backup Roll 06C/06F/071
6-19		4	Screw, Type 1305 PP 69G9974
6-20	69G8317	1	Thermistor 06A/06B/06D/06J/070
6-20	11A7398	1	Thermistor 06C/06F/071
6-21	69G8330	1	Separator, Paper
6-22		1	Screw, Type 3504 PP 69G9974
6-23		1	Gear, 30T PP 69G9988
6-24	69G8325	1	Cable, Fuser Lamp
6-25	69G8326	1	Terminal, Fuser Lamp Left side
6-26	69G9979	1	Terminal, Fuser Lamp/Thermal Fuse
6-26	11A7399	1	Terminal, Thermostat Left Side 06C/06F/071
6-27	69G8318	1	Upper Fuser Assembly
6-28		1	Gear, 21/38T PP 69G9988
6-29		1	Gear, 22T PP 69G9988
6-30	69G9697		Lever, Fuser Drive
6-31	69G8323	1	Spring, Inside PP 69G9987
6-32			Gear, 44T PP 69G9988
6-33		1	Gear, 25/50T PP 69G9988
6-34	69G9698		Arm, Fuser Drive
6-35	69G8324	1	Spring, Outside PP 69G9987
6-36	69G9699		Bracket, Fuser Drive
6-37	11A7431	1	Transfer Corona cleaning tool

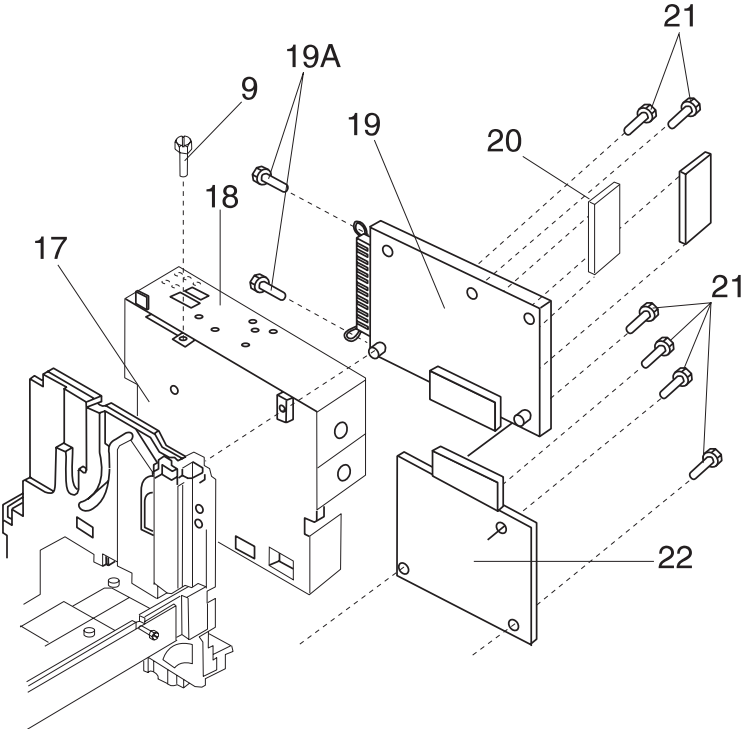
Assembly 7: Electronics



**4026-0XX**

<b>Asm-Index</b>	<b>Part Number</b>	<b>Units</b>	<b>Description</b>
7-1	69G8380	1	Power Supply, 120 V ac U.S.
7-1	69G8382	1	Power Supply, 220/230 V ac W.T.
7-1	11A7454	1	Power Supply, 100 V ac Japan
7-2	1339526	1	Power Cord; U.S., AP-Taiwan, Australia, Bolivia, Brazil, Canada, Columbia, Costa Rica, Ecuador, El Salvador, Guatemala, Honduras, Hong Kong, Mexico, Nicaragua, Panama, Peru (HV), Venezuela
7-2	1342536	1	Power Cord; Argentina, Paraguay, Uruguay
7-2	1339520	1	Power Cord; Austria, Belgium, Eastern Countries, Finland, France, Germany, Greece, Iceland, Netherlands, Norway, Portugal, Spain, Sweden, Turkey
7-2	1339519	1	Power Cord; Bahrain, Egypt, Iraq, Ireland, Jordan, Kuwait, Oman Qatar, Sudan, U.K., Yeman
7-2	1342534	1	Power Cord; Chile (HV)
7-2	1339525	1	Power Cord; Denmark
7-2	1339521	1	Power Cord; Israel
7-2	1339524	1	Power Cord; Italy
7-2	70G0496	1	Power Cord; Japan
7-2	1339517	1	Power Cord; Saudi Arabia
7-2	1339523	1	Power Cord; South Africa
7-2	1339522	1	Power Cord; Switzerland
7-3	69G8381	1	Fuse, 125 V ac, 5 A
7-3	69G9976	1	Fuse, 250 V ac, 3.15 A
7-3	11A7457	1	Fuse, 125 V ac, 6.3 A
7-4	69G9972	1	Rear Frame
7-5		4	Screw, Type 3504 PP 69G9974
7-6		2	Screw, Type 3907 PP 69G9974
7-7		1	Screw, Type 4307 PP 69G9974
7-8	69G8356	1	Cover, High Voltage Power Supply
7-9		4	Screw, Type 3704 PP 69G9974
7-10	69G8383	1	Board, HVPS 06A/06B/06D/06J/070
7-10	11A7400	1	Board, HVPS 06C/06F/071
7-10A	11A7410	1	Cable, HVPS to Engine Board
7-11	69G8385	1	Cable, 2nd Paper Drawer

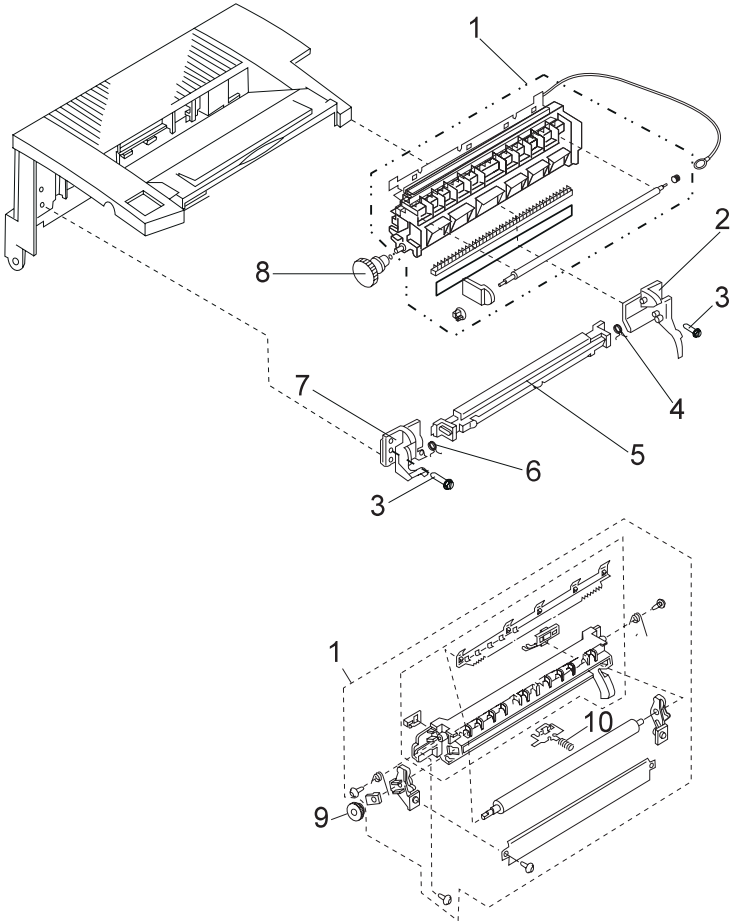
Assembly 7: Electronics (continued)



**4026-0XX**

<b>Asm-Index</b>	<b>Part Number</b>	<b>Units</b>	<b>Description</b>
7-15	11A7417	1	Terminal, Rear Frame Ground to Control Card Cage
7-12		2	Screw, shouldered cable mtg. PP 69G9974
7-13	11A7406	1	Cable, Transfer Assembly to HVPS
7-14		1	Screw, Type 3501 PP 69G9974
7-16	11A7418	1	Cover, LVPS Edge
7-17	69G9985	1	Controller Board Cage
7-18	69G8386	1	Controller Board Bracket W/O Cage
7-19	11A7439	1	Controller Board W/O ROM SIMM includes Print Registration Diskette 06A/06B/06C/06F/06J
7-19	69G8262	1	Controller Board W/O ROM SIMM includes Print Registration Diskette 06D/070/071
7-19A	11A7433	2	Screw, 4/40 Controller Board to Board Cage
7-20	69G9983	1	ROM SIMM 06A/06J
7-20	69G9984	1	ROM SIMM w/Flash 06B
7-20	11A7296	1	ROM SIMM 06C/070/071
7-20	11A7272	1	ROM SIMM 06D
7-20	11A7300	1	ROM SIMM w/Flash 06F
7-21		6	Screw, Type 3501 PP 69G9974
7-22	69G8384	1	Engine Board 06A/06B/06D/06J
7-22	11A7451	1	Engine Board 06C/06F
7-22	11A7762	1	Engine Board 070/071

Assembly 8: Transfer Assembly

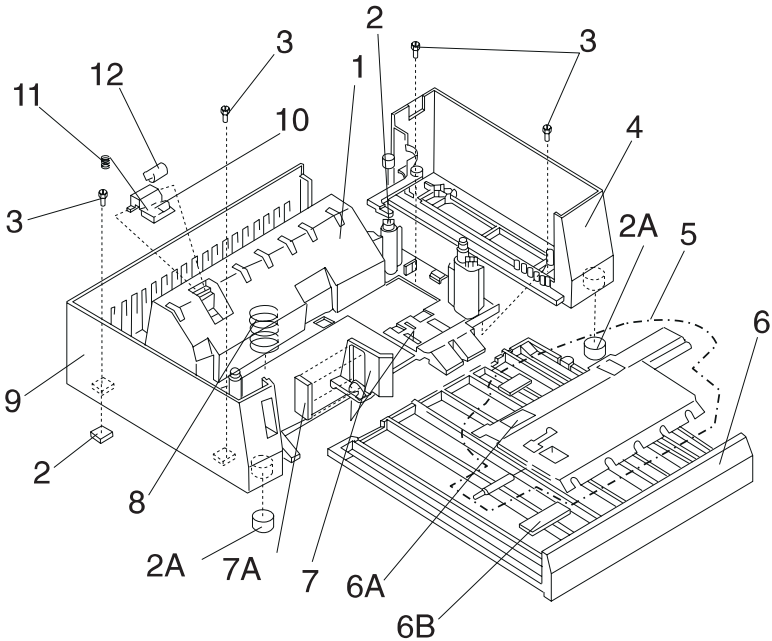


**4026-0XX**

<b>Asm-Index</b>	<b>Part Number</b>	<b>Units</b>	<b>Description</b>
8-1	69G8307	1	Transfer Assembly 06A/06B/06D/06J/070
8-1	11A7452	1	Transfer Assembly 06C/06F/071
8-2	69G8310	1	Right Transfer Frame Guide 06A/06B/06D/06J/070
8-3		2	Screw, Type 3704 PP 69G9974 06A/06B/06D/06J/070
8-4	69G8311	1	Spring, Right Transfer Guide 06A/06B/06D/06J/070 PP 69G9987
8-5	69G9968	1	Transfer Corona Assembly 06A/06B/06D/06J/070
8-6	69G9967	1	Spring, Left Transfer Guide 06A/06B/06D/06J/070 PP 69G9987
8-7	69G8308	1	Left Transfer Frame Guide 06A/06B/06D/06J/070
8-8	69G8309	1	Gear, 18/21T 06A/06B/06D/06J/070
8-9	11A7453	1	Gear, 18/21T 06C/06F/071
8-10	11A7383	1	Spring, Pressure 06C/06F/071



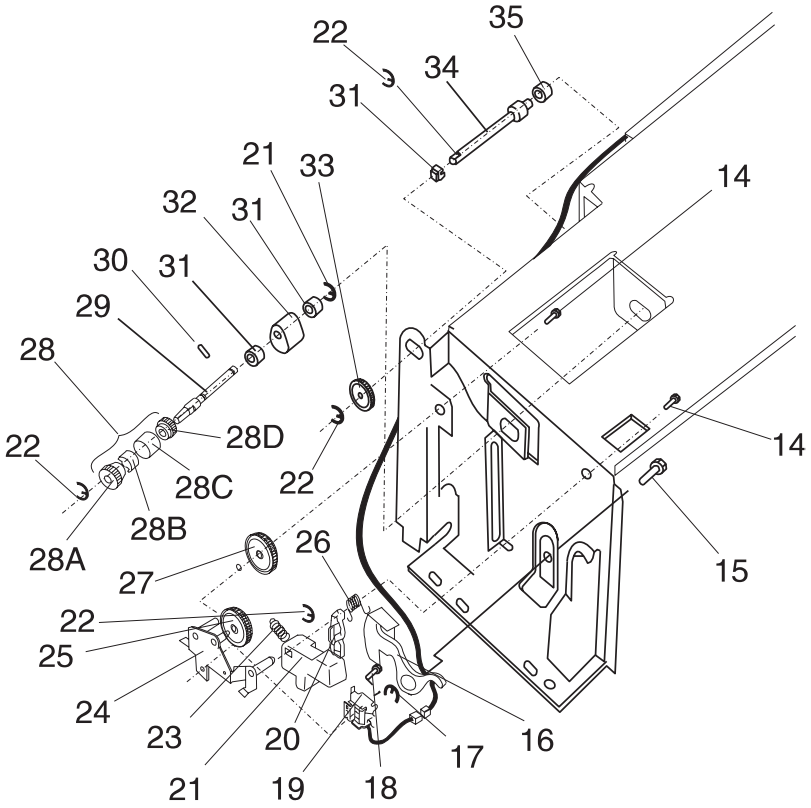
Assembly 9: Option - Second Paper Drawer



**4026-0XX**

<b>Asm-Index</b>	<b>Part Number</b>	<b>Units</b>	<b>Description</b>
9-1	69G9929	1	Frame, Base
9-2	69G9927	2	Foot, square rubber
9-2A	11A7416	2	Foot, round rubber
9-3		7	Screw, Type 3704 PP 11A7434
9-4	69G9926	1	Right Side Cover
9-5	69G9937	1	Lift Plate Assembly
9-6	69G9928	1	Tray, Paper
9-6A	11A7428	1	Pad
9-6B	11A7429	1	Label, Paper Set
9-7	69G9933	1	Adjustable Paper Guide
9-7A	11A7430	1	Regulating Plate, paper guide
9-8	69G9938	1	Spring, Lift Plate
9-9	69G9925	1	Left Side Cover
9-10	69G9931	1	Bracket, Roller
9-11		1	Spring, PP 11A7436
9-12	69G9930	1	Roller

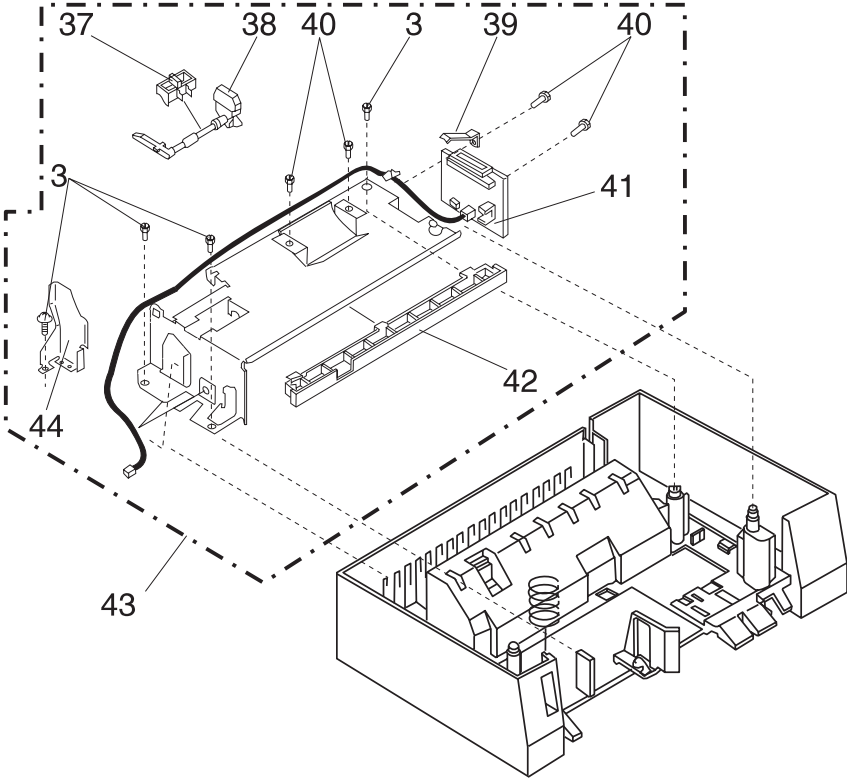
Assembly 9: Option - Second Paper Drawer (continued)



**4026-0XX**

<b>Asm-Index</b>	<b>Part Number</b>	<b>Units</b>	<b>Description</b>
9-14		2	Screw, Type 1305 PP 11A7434
9-15	69G9942	1	Stud, Solenoid Mounting
9-16	69G9965	1	Lever, Lift Plate Release
9-17		1	C-Clip, Type 9105 PP 69G9986
9-18		2	Screw, Type 3504 PP 11A7434
9-19	69G8370	1	Solenoid
9-20	69G9958	1	Lever, Knockoff
9-21	69G9963	1	Button, Lift Plate Release
9-22		5	C-Clip, Type 9107 PP 69G9986
9-23		1	Spring, Lift Plate Release Button PP 11A7436
9-24	69G9943	1	Bracket
9-25	69G9945	1	Gear, 13/45T
9-26		1	Spring, Torsion Release Lever PP 11A7436
9-27	69G9944	1	Gear, 41T
9-28	69G9946	1	Clutch Assembly, complete
9-28A	69G9947	1	Gear, 28T
9-28B		1	Spring, Clutch PP 11A7436
9-28C	69G9949	1	Ratchet
9-28D	11A7414	1	Collar, clutch
9-29	69G9955	1	Shaft, D-Roll
9-30	69G9991	1	Pin, D-Roll Shaft
9-31	69G9957	3	Bushing, D-Roll Shaft
9-32	69G9956	1	D-Roll
9-33	69G9953	1	Gear, 14T
9-34	69G9950	1	Paper Feed Shaft W/Roller
9-35	69G9951	1	Bushing, Paper Feed Shaft, Inside

Assembly 9: Option - Second Paper Drawer (continued)



**4026-0XX**

<b>Asm-Index</b>	<b>Part Number</b>	<b>Units</b>	<b>Description</b>
9-37	69G9959	1	Bracket, Sensor Flag
9-38	69G9960	1	Sensor Flag
9-39	69G9935	1	Ground Terminal
9-40		4	Screw, Type 3501 PP 11A7434
9-41	69G9934	1	Sensor/Interface Board
9-42	69G9940	1	Cover, Front.
9-43	69G9939	1	Paper Feed Assembly, complete
9-44	11A7427	1	Guide Plate

**Assembly 10: Options**

<b>Asm-Index</b>	<b>Part Number</b>	<b>Units</b>	<b>Description</b>
10	1364936	1	Memory SIMM, 1MB
10	1364906	1	Memory SIMM, 2MB
10	1364907	1	Memory SIMM, 4MB
10	1368706	1	Serial Adapter

**Assembly 11: Miscellaneous**

<b>Asm-Index</b>	<b>Part Number</b>	<b>Units</b>	<b>Description</b>
11	69G9986	1	Parts Packet, C-Clips for printer and Second Paper Drawer
11	69G9987	1	Parts Packet, Springs
11	69G9988	1	Parts Packet, Fuser Gears
11	69G9989	1	Parts Packet, Paper Feed Gears
11	69G9974	1	Parts Packet, Screws
11	11A7436	1	Parts Packet, Second Paper Drawer Springs
11	11A7434	1	Parts Packet, Second Paper Drawer Screws