

Accessories**Drive**

J6054-69031 20GB EIO hard drive - (J6054B)
REQUIRES RETURN OF DEFECTIVE PART

J6054-61031 New Part for J6054-69031

Drive (Product)

J6054A 5GB EIO hard drive

Fusing Assembly

C9656-69012 HP LaserJet 5500 fusing assembly - 110V
REQUIRES RETURN OF DEFECTIVE PART

RG5-6848-150CN New Part for C9656-69012

Kit

C9734A HP Color LaserJet 5500 Image Transfer kit

Manual

C9656-90930 Color LaserJet 5500 product family service manual

Stand

C9669-60111 LaserJet 5500 printer stand - Printer stand that printer sits on with casters

External Case Parts**Control Panel**

RG5-6781-000CN Control panel assembly - 100/127 volt

RG5-6794-000CN Control panel assembly - 220/240volt

Cover

9 RB2-9478-000CN Rear cassette cover - Rear cover for paper cassette

RB2-9478-020CN New Part for RB2-9478-000CN

10 RB2-9478-020CN Rear cassette cover - Rear cover for paper cassette

11 RB2-9485-000CN Rear cover assembly

12 RG5-6777-080CN Front lower cover assembly - Front cover behind drop down front paper input tray

13 RG5-6778-000CN Front top cover assembly

14 RG5-6779-000CN Rear top cover assembly

15 RG5-6782-000CN Left side cover assembly

16 RG5-6783-000CN Right side cover assembly

Overlay

C9656-40002 Control panel overlay - English

C9656-40003 Control panel overlay - French

C9656-40004 Control panel overlay - German

C9656-40005 Control panel overlay - Italian

C9656-40006 Control panel overlay - Spanish

C9656-40007 Control panel overlay - Danish

C9656-40008 Control panel overlay - Dutch

C9656-40009 Control panel overlay - Finnish

C9656-40010 Control panel overlay - Norwegian

C9656-40011 Control panel overlay - Portuguese

C9656-40012 Control panel overlay - Swedish

C9656-40013 Control panel overlay - Czech

C9656-40014 Control panel overlay - Hungarian

C9656-40015 Control panel overlay - Polish

C9656-40016 Control panel overlay - Russian

C9656-40017 Control panel overlay - Turkish

C9656-40018 Control panel overlay - Arabic

External Case Parts**Overlay**

C9656-40019	Control panel overlay - Greek
C9656-40020	Control panel overlay - Hebrew
C9656-40021	Control panel overlay - Japanese
C9656-40022	Control panel overlay - Korean
C9656-40023	Control panel overlay - Thai
C9656-40024	Control panel overlay - Simplified Chinese
C9656-40025	Control panel overlay - Traditional Chinese

Tray Assembly

41	RG5-6780-000CN	Multi-purpose tray assembly - Drop down front paper input tray
----	----------------	--

Internal Parts**Arm**

42	RB2-9066-000CN	Tray 1/MP tray link arm assembly - Left side link arm assembly
43	RG5-6675-000CN	Tray 1/MP tray link arm assembly - Right side link arm assembly

Brush

	RB2-9145-000CN	Cleaning brush - Horizontal registration/transparency sensor cleaning brush - Located under the cyan toner cartridge
45	RB2-9561-000CN	Static comb cleaning brush - Located on left front of drop down ETB tray - Used to clean static discharge comb.

Button

	RB2-9350-000CN	Test print arm - External test print button/rod
--	----------------	---

Cable

47	RG5-6734-000CN	Fuser drawer fusing cable
48	RG5-6815-000CN	AC cable - Low voltage power supply (LVPS) to fuser power supply cable
49	RG5-6816-000CN	DC cable - From DC power supply to LVPS, Low Voltage Power Supply
50	RG5-6818-000CN	Drum drive cable - From DC controller board to each drum drive assembly
51	RG5-6821-000CN	Paper size cable - From Tray 2 paper width and paper length sensors to DC controller board
52	RG5-6823-000CN	Upper crossmember cable - From DC Controller board to control panel, color registration detection unit, fuser motor (M5) and fuser sensors
	RG5-6829-000CN	Paper pick-up assembly cable - From DC Controller board to paper pickup assembly
54	RG5-6834-000CN	Formatter interface cable connector
55	RG5-6836-000CN	Optional feeder cable - Tray 3/500 sheet tray to DC Controller board
56	RH2-5510-000CN	Flat cable from Formatter board to DC Controller board
	RH2-5511-000CN	Flat cable - From DC Controller to

Clutch

58	RG5-6761-000CN	Electromagnetic clutch assembly - For the 500-sheet paper feeder assembly
59	RH7-5329-000CN	Electromagnetic clutch - Cassette pickup clutch in paper pickup drive assembly - CL1

Contact Assembly

60	RG5-6725-000CN	High voltage toner contact assembly - Electrical contacts for toner cartridge - Four used
61	RG5-6844-000CN	High voltage contact assembly - Spring loaded high voltage contact to media attachment roller of ETB

Damper

62	RG5-6786-000CN	Damper assembly - Top cover damper assembly
----	----------------	---

Drive Assembly

63	RG5-6665-000CN	500 sheet paper cassette lifter drive assembly
64	RG5-6714-000CN	Fuser drive assembly - Provides power to turn fuser assembly rollers
65	RG5-6719-000CN	Disengaging drive assembly - Provides power to disengage drum drive assemblies
66	RG5-6731-040CN	Drum drive assembly for cyan and magenta toner cartridges
67	RG5-6732-040CN	Drum drive assembly for yellow toner cartridge
68	RG5-6733-040CN	Drum drive assembly for black toner cartridge

Internal Parts**Drive Assembly**

- 69 RG5-6753-000CN Paper lifter drive assembly - Includes the base plate with the drive motor (M501) and eleven drive gears
C7130-67901 *New Part for RG5-6753-000CN*

Drive Control

- 70 RG5-6742-000CN Disengaging plate assembly - Developer disengaging assembly

Fan

- 71 RH7-1491-000CN Formatter fan - Exhausts heat from formatter and low voltage power supply - Fan 1
RH7-1526-000CN Cartridge fan - Located at left rear corner - Exhausts heat from toner cartridges and fuser assembly - Fan 2

Filter

- 73 RB2-9378-000CN Air filter on upper left side of printer
74 RB2-9379-000CN Air filter at top rear of printer - Formatter fan air filter

Frame

- 75 RG5-6672-000CN Lower left frame assembly - Left side support of paper input Tray 2
76 RG5-6673-000CN Lower right frame assembly - Right side support of paper input Tray 2

Fuse

- 77 VD7-0644-001CN Fuse - 250 volt, 4 amp - 220v-240v
78 VD7-0648-001CN Power supply fuse - 250v, 8 amp, (110v and 220v)
79 VD7-1732-002CN Fuse - 250 volt, 20 amp - 100v-127v

Gear

- 80 RB2-9150-000CN Left side pressure gear
81 RB2-9151-000CN Right side pressure gear
82 RS7-0302-000CN Cam/gear - Provides mechanical link to lift lever - 66 teeth
83 RS7-0320-000CN Large drum drive gear - 200 teeth - Used with magenta and cyan drum drives
84 RS7-0321-000CN Large drum drive gear - 200 teeth - Used with black and yellow drum drives
85 RS7-0323-000CN Disengagement plate gear - Drives developer disengagement plate
86 RS7-0326-000CN 36 tooth gear - Drives toner cartridge drum - Four used

Gear Assembly

- 87 RG5-6676-000CN Lifter drive gear assembly - Lifter drive gear assembly for Tray 2

Ground Plane

- 88 RG5-6720-000CN Drum grounding assembly

Guide

- 89 RB2-9390-000CN Cartridge guide - Lower left side toner cartridge guides - For yellow and cyan cartridges
90 RB2-9391-000CN Cartridge guide - Upper left side toner cartridge guides - For black and magenta cartridges
91 RB2-9392-000CN Cartridge guide - Lower right side toner cartridge guides - For yellow and cyan cartridges
92 RB2-9393-000CN Cartridge guide - Upper right side toner cartridge guides - For black and magenta cartridges
93 RG5-6726-000CN Front right cartridge inlet assembly - Located in front of right side cartridge guides

Hinge

- 94 RB2-9146-000CN ETB socket - Socket that right side of ETB fits into
95 RB2-9147-000CN ETB socket - Socket that left side of ETB fits into
96 RB2-9152-000CN One-way hinge

Lever

- 97 RB2-9358-020CN Interlock lever - Drum drive mechanical link to engage/disengage the drum drives

Motor

- 98 RH7-1523-000CN Paper pickup motor - Provides power for paper pickup drive assembly - PM2
99 RH7-1524-000CN Stepper motor - 500 sheet feeder assembly motor
100 RH7-1528-000CN Fuser drive assembly motor - Motor M5
101 RH7-1601-000CN ETB motor - Provides power for movement of electrostatic transfer belt - M6

Internal Parts

Paper Pick-Up

102 RG5-6661-070CN Paper pickup drive assembly - Gear assembly located on left side of paper pickup assembly

Plate

103 RB2-9359-000CN Drive release plate - Mechanical link between disengaging drive assembly and all four drum drive assemblies

Rod

104 RB2-8213-000CN Spring rod - Provides mechanical link for spring pressure to assist opening Tray1/MP tray - Two used

Screw

105 RS5-9175-000CN Slotted thumbscrew (with large flat head) - Used to mount the paper feeder assembly to the printer or another feeder assembly (Four used per feeder assembly)

106 XA9-1162-000CN M3 X 10 machine screw with captured washer - To hold plastic to metal

107 XA9-1329-000CN M3 X 10 truss head screw - Holds sheet metal to sheet metal

108 XA9-1330-000CN M3 X 8 truss head screw - Two screws used to secure the rear cover

Sensor

109 WG8-5362-000CN Optical sensor - Disengaging drive assembly photo sensor

Sensor Mechanism

110 RG5-6728-000CN Sensor assembly - Toner cartridge memory tag antenna - Four used

Solenoid

111 RH7-5330-000CN Paper pickup drive assembly solenoid - SL1

Spring

112 RB2-8246-000CN Laser scanner support spring - Supports laser scanner module - Three used

113 RS6-2626-000CN Tension spring - Provides tension for right and left side gear pressure levers

114 RS6-2632-000CN Tension spring - Provides tension for lift lever

Support

115 RB2-9475-000CN Right hinge support

Switch

116 WC4-5188-000CN Front door ajar switch - Switch SW1

Logic/Control Electronics

Connector

117 VS1-6760-006CN Optional paper feeder six pin connector - For optional 500 sheet feeder

Memory (DIMM)

C9712-67913 Color LaserJet 5500 Firmware DIMM

PC Board

C9656-69014 DC Controller PC Board

C9660-69011 Formatter PC Board - For simplex printer only
REQUIRES RETURN OF DEFECTIVE PART

C9660-67911 *New Part for C9660-69011*

121 RG5-6772-000CN Controller board - For the 500-sheet paper feeder assembly

122 RG5-6800-000CN High voltage power supply PC Board

123 RG5-6801-000CN Fuser power supply PC Board - 110-127 volt

124 RG5-6802-000CN Fuser power supply PC Board - 220-240 volt

RG5-6803-000CN E-label memory controller PC Board

126 RG5-6805-000CN Toner sensor PC Board

127 RG5-6806-000CN Tray 1/Multi-purpose tray sensor PC Board

128 RG5-6807-000CN Cassette sensor PC Board

129 RG5-6845-000CN Static discharge PC board

130 RG5-6850-070CN DC controller PC board

Logic/Control Electronics**Power Supply**

- 131 RG5-6808-000CN Power supply assembly - 100v to 127v
RG5-6808-050CN New Part for RG5-6808-000CN
- 132 RG5-6808-050CN Power supply assembly - 100v to 127v
- 133 RG5-6809-000CN Power supply assembly - 220v to 240v
RG5-6809-050CN New Part for RG5-6809-000CN
- 134 RG5-6809-050CN Power supply assembly - 220v to 240v

Sensor Mechanism

- 135 RG5-6688-000CN Sensor assembly - Color registration detection assembly - Color sensor for DC controller

Paper Path Parts**Belt**

- 136 C9656-69011 ETB assembly - Electrostatic transfer belt assembly
- 137 RG5-6696-110CN ETB assembly - Electrostatic transfer belt assembly

Cartridge

- C9730-67901 Color LaserJet Black toner cartridge - Will print approximately 13,000 pages based on 5% coverage - The cartridge contains toner, developer, and the imaging drum
- C9730-67902 Color LaserJet Black toner cartridge - Will print approximately 13,000 pages based on 5% coverage - The cartridge contains toner, developer, and the imaging drum - For sale in Europe only
- C9731-67902 Color LaserJet Cyan toner cartridge - Will print approximately 12,000 pages based on 5% coverage - The cartridge contains toner, developer, and the imaging drum - For sale in Europe only
- C9732-67901 Color LaserJet Yellow toner cartridge - Will print approximately 12,000 pages based on 5% coverage - The cartridge contains toner, developer, and the imaging drum
- C9732-67902 Color LaserJet Yellow toner cartridge - Will print approximately 12,000 pages based on 5% coverage - The cartridge contains toner, developer, and the imaging drum - For sale in Europe only
- C9733-67901 Color LaserJet Magenta toner cartridge - Will print approximately 12,000 pages based on 5% coverage - The cartridge contains toner, developer, and the imaging drum
- C9733-67902 Color LaserJet Magenta toner cartridge - Will print approximately 12,000 pages based on 5% coverage - The cartridge contains toner, developer, and the imaging drum - For sale in Europe only

Flag

- 145 RG5-6842-040CN Paper sensor flag in fuser assembly

Fusing Assembly

- 146 C9656-69001 Fusing assembly - 110 volts
C9656-69012 New Part for C9656-69001
- 147 C9656-69002 Fusing assembly - 220 volts
REQUIRES RETURN OF DEFECTIVE PART
RG5-6701-000CN New Part for C9656-69002
- 148 RG5-6701-000CN Fusing assembly - 220 volts
- 149 RG5-6848-000CN Fusing assembly - 110 volts
RG5-6848-150CN New Part for RG5-6848-000CN
RG5-6848-150CN HP LaserJet 5500 Fuser assembly - 110V

Laser/Scanner

- 151 RG5-6736-000CN Laser/scanner assembly - Separate scanner used with each tonner cartridge

Pad

- 152 RF5-3865-020CN Tray1/MP tray paper separation pad

Paper Feeder

- C7130-67901 500-sheet paper feeder assembly (complete assembly) - Includes the base unit plus the paper cassette tray assembly

Paper Pick-Up

- 154 RG5-6670-110CN Paper pickup assembly - Tray 2 paper pickup assembly
- 155 RG5-6748-080CN Paper pickup assembly - Includes the base structure with the paper pickup roller, paper feed roller, drive gears, and paper sensors

Paper Path Parts**Roller**

- 156 RF5-3338-000CN Feed/separation/pickup roller - Tray 2 separation roller - Located at top/front of 500 sheet cassette
- 157 RF5-3340-000CN Paper pickup/feed roller assembly - Rubber roller with drive gear
- 158 RG9-1529-000CN Pickup roller for multi-purpose tray/Tray 1 - Mounts in top/front of Tray 2

Roller Kit

- 159 RY7-5097-000CN Roller kit - Includes the cassette separation roller, pickup roller and feed roller - For Trays 2, 3 and 4, when applicable

Sensor Mechanism

- 160 RG5-6769-000CN Paper size detection assembly - Includes the housing, three sensor fingers, spring, and micro-switch assembly

Static Dissipater

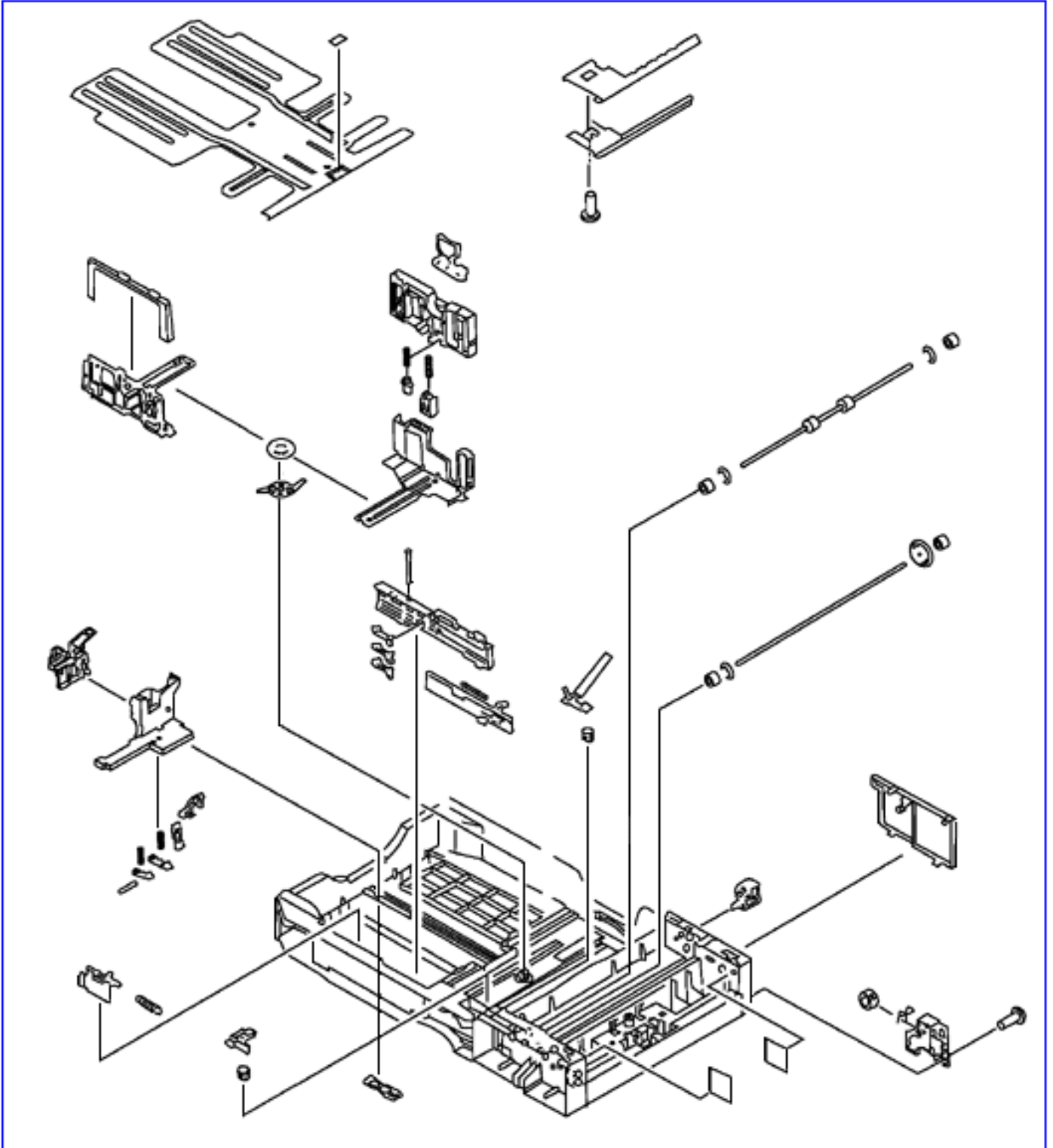
- 161 RG5-6846-000CN Static discharge comb - Black plastic frame with plastic strip to dissipate static electricity

Tray

- 162 RG5-6647-150CN Standard 500 sheet paper cassette - Tray 2 paper cassette assembly - Includes all parts used in the paper tray cassette
- 163 RG5-6770-140CN 500-sheet paper cassette assembly - Includes the paper tray assembly with the separation roller, paper width adjusters, rear paper stop, and drive gears

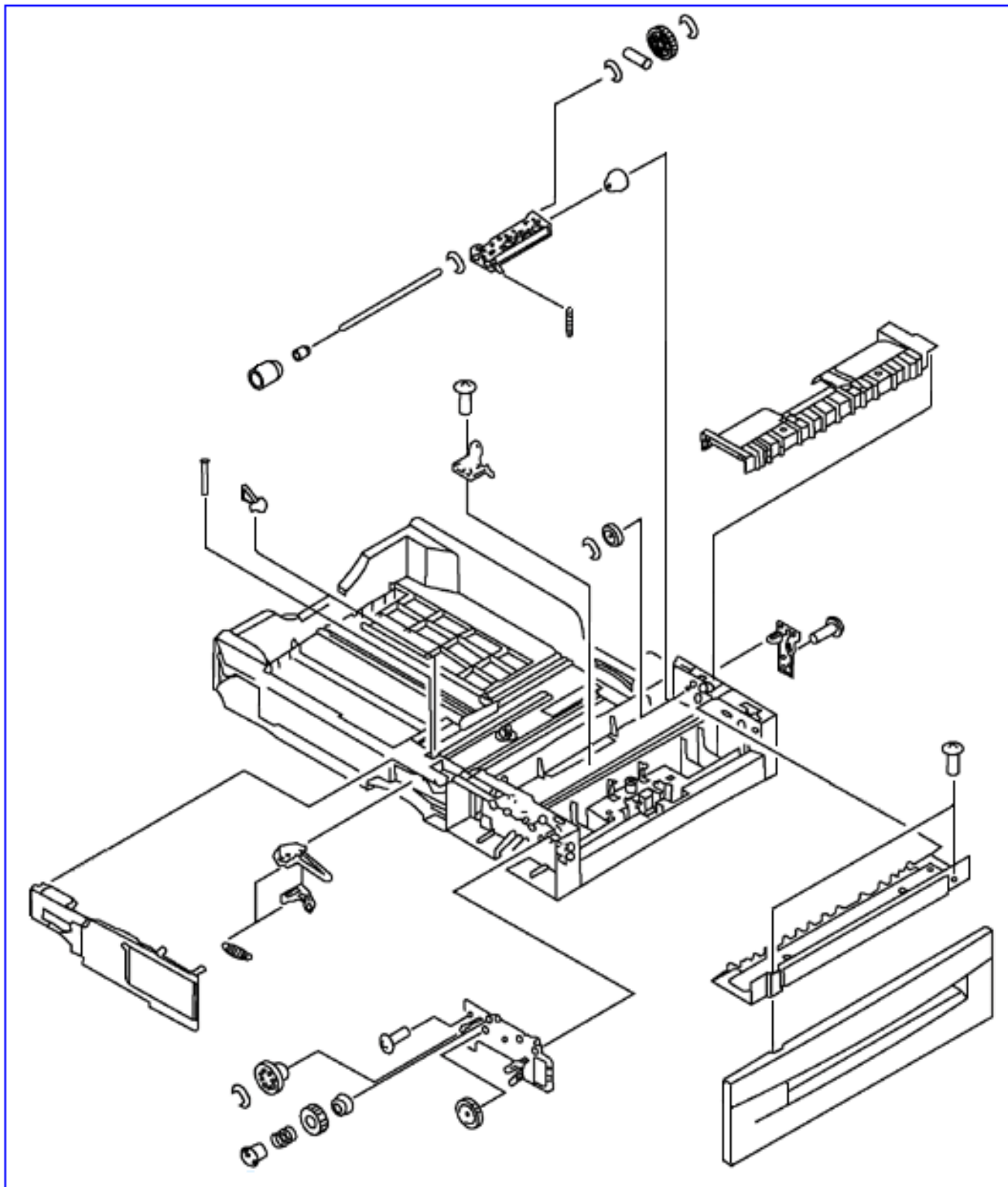
500 Sheet Paper Feeder Cassette (1 of 2)

163 -  **500 Sheet Paper Feeder Cassette (1 of 2)**

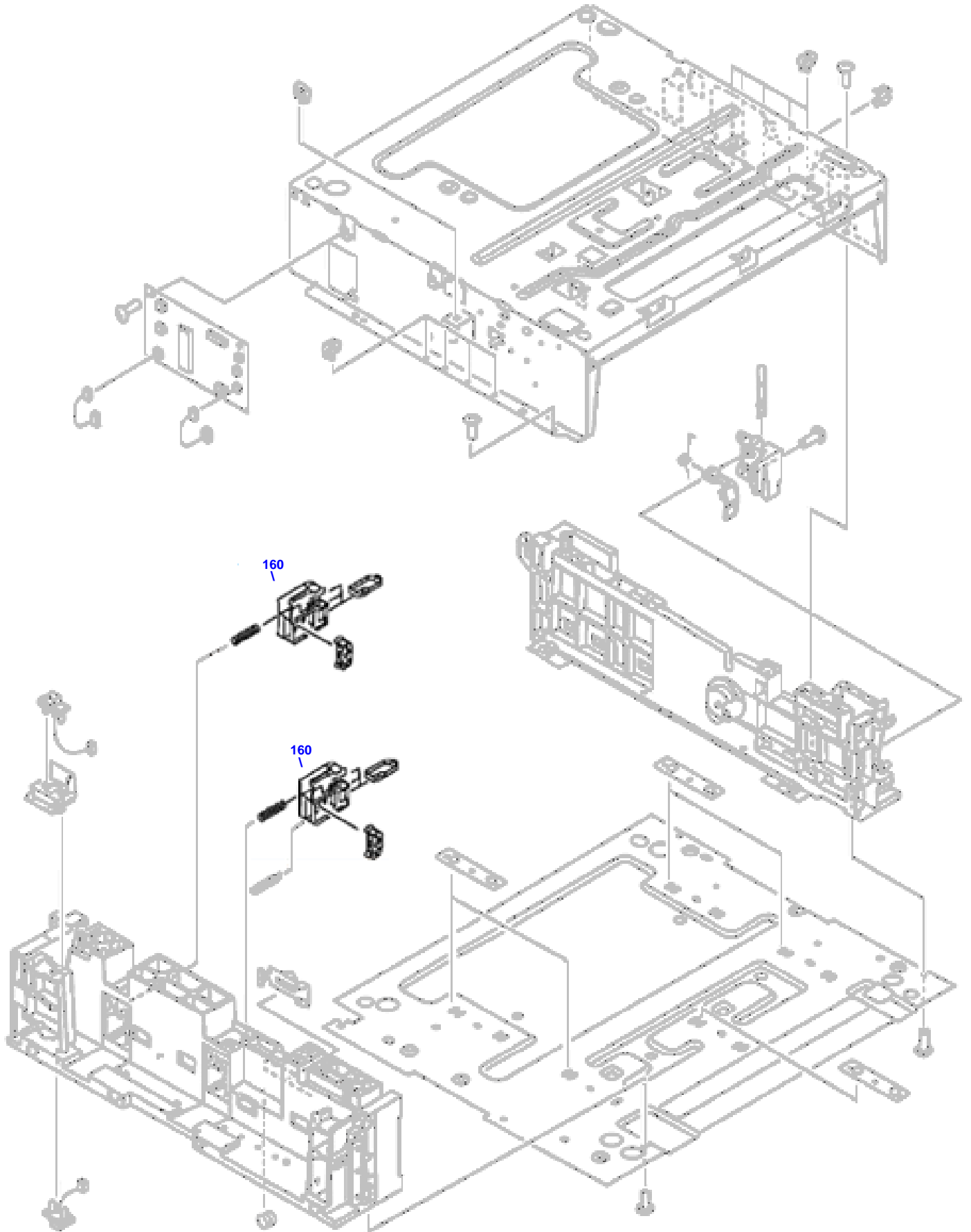


500 Sheet Paper Feeder Cassette (2 of 2)

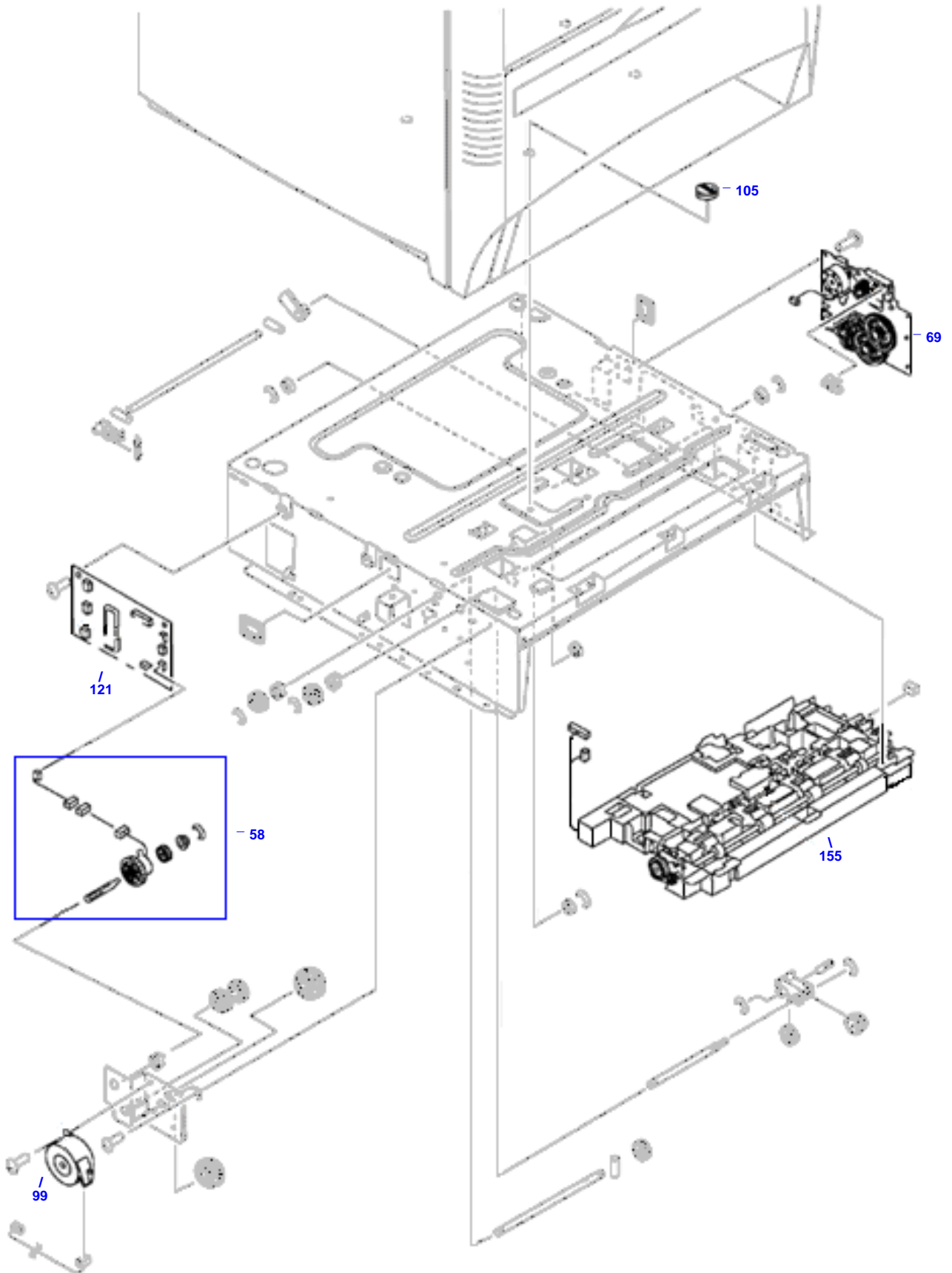
163 -  500 Sheet Paper Feeder Cassette [2 of 2]



500 Sheet Paper Feeder Components (1 of 2)

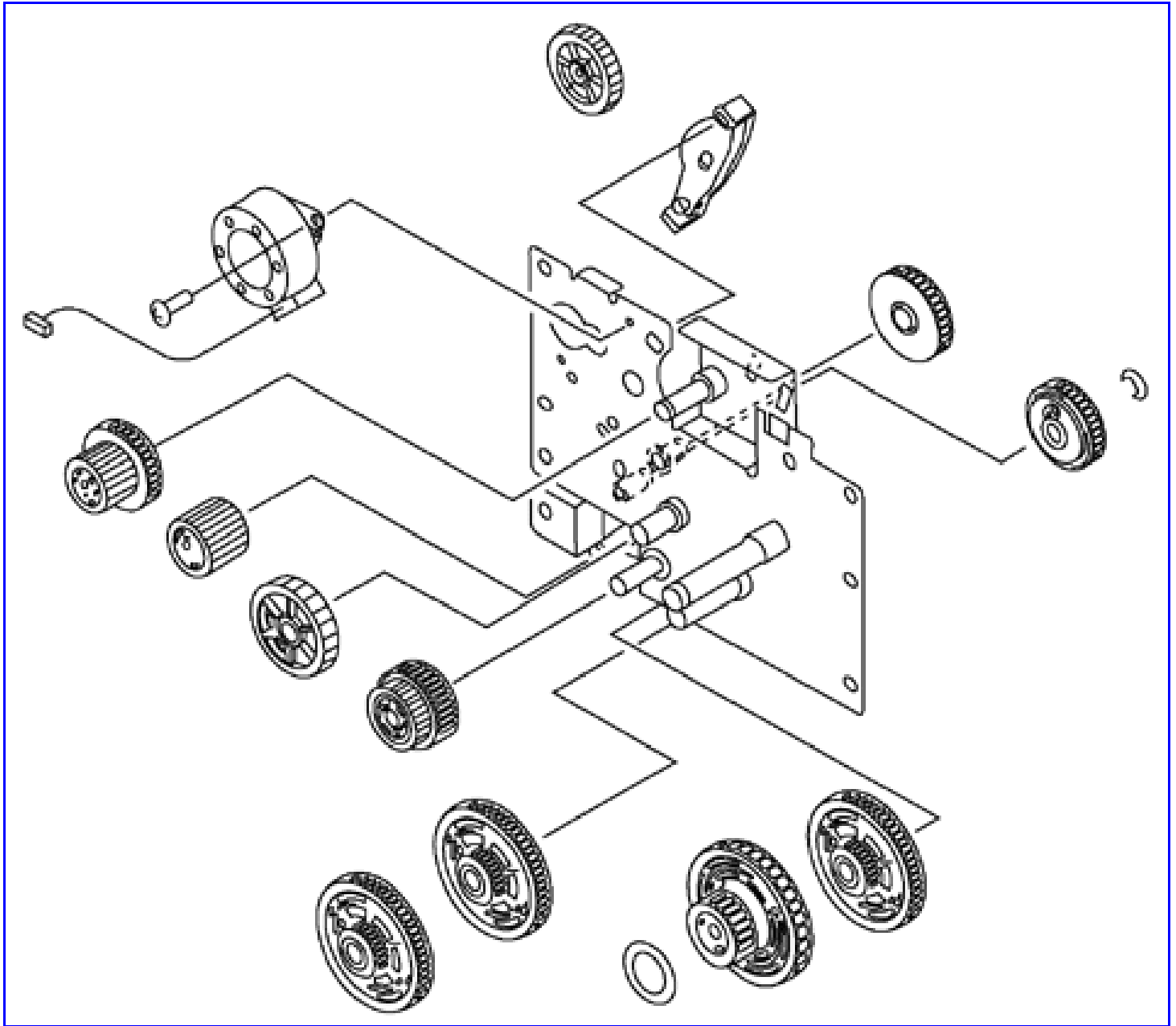


500 Sheet Paper Feeder Components (2 of 2)



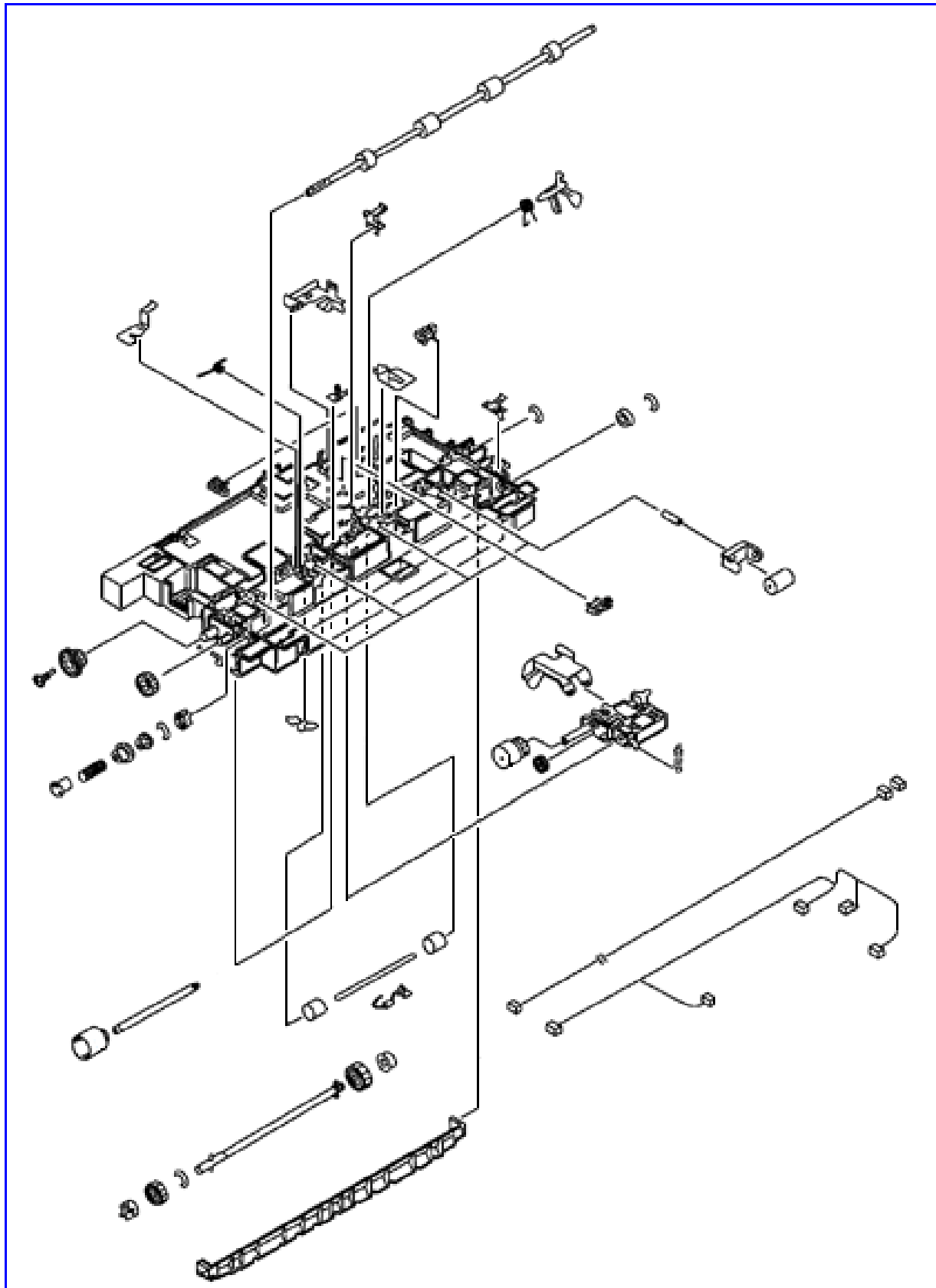
500 Sheet Paper Feeder Lifter Drive Assembly

69 -  500 Sheet Paper Feeder Lifter Drive Assembly



500 Sheet Paper Feeder Pickup Assembly

155 -  500 Sheet Feeder Pickup Assembly

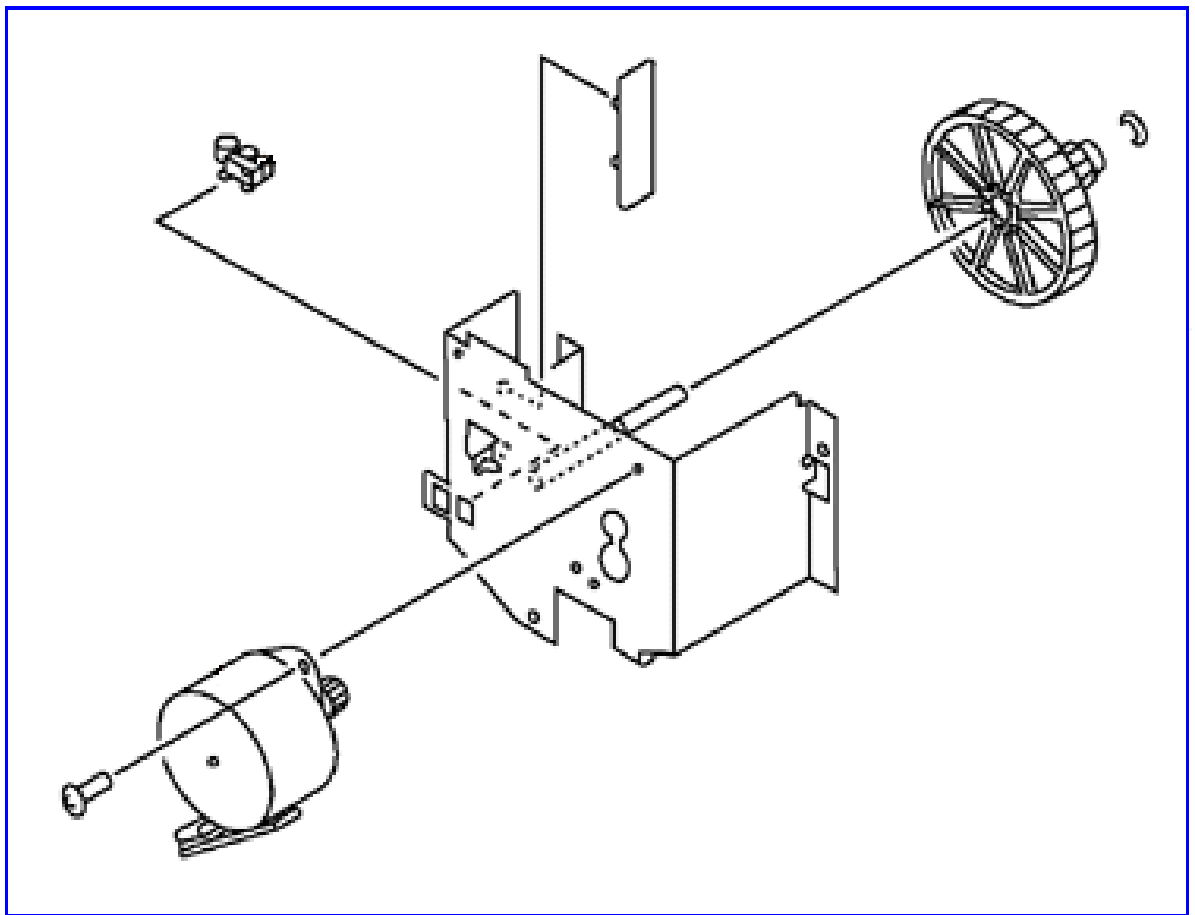


157, 159

156, 159

Disengaging Drive Assembly

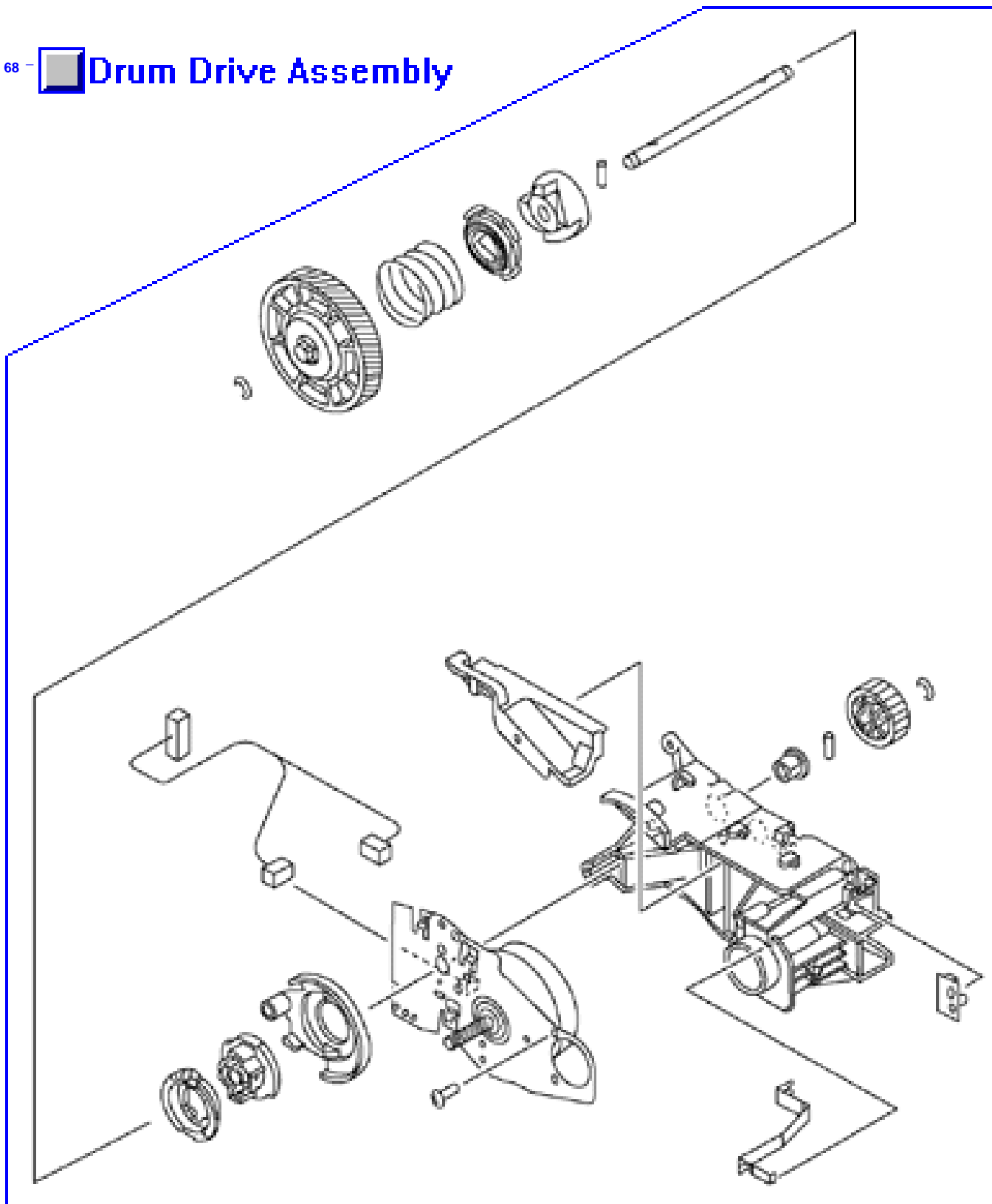
65 -  Disengaging Drive Assembly



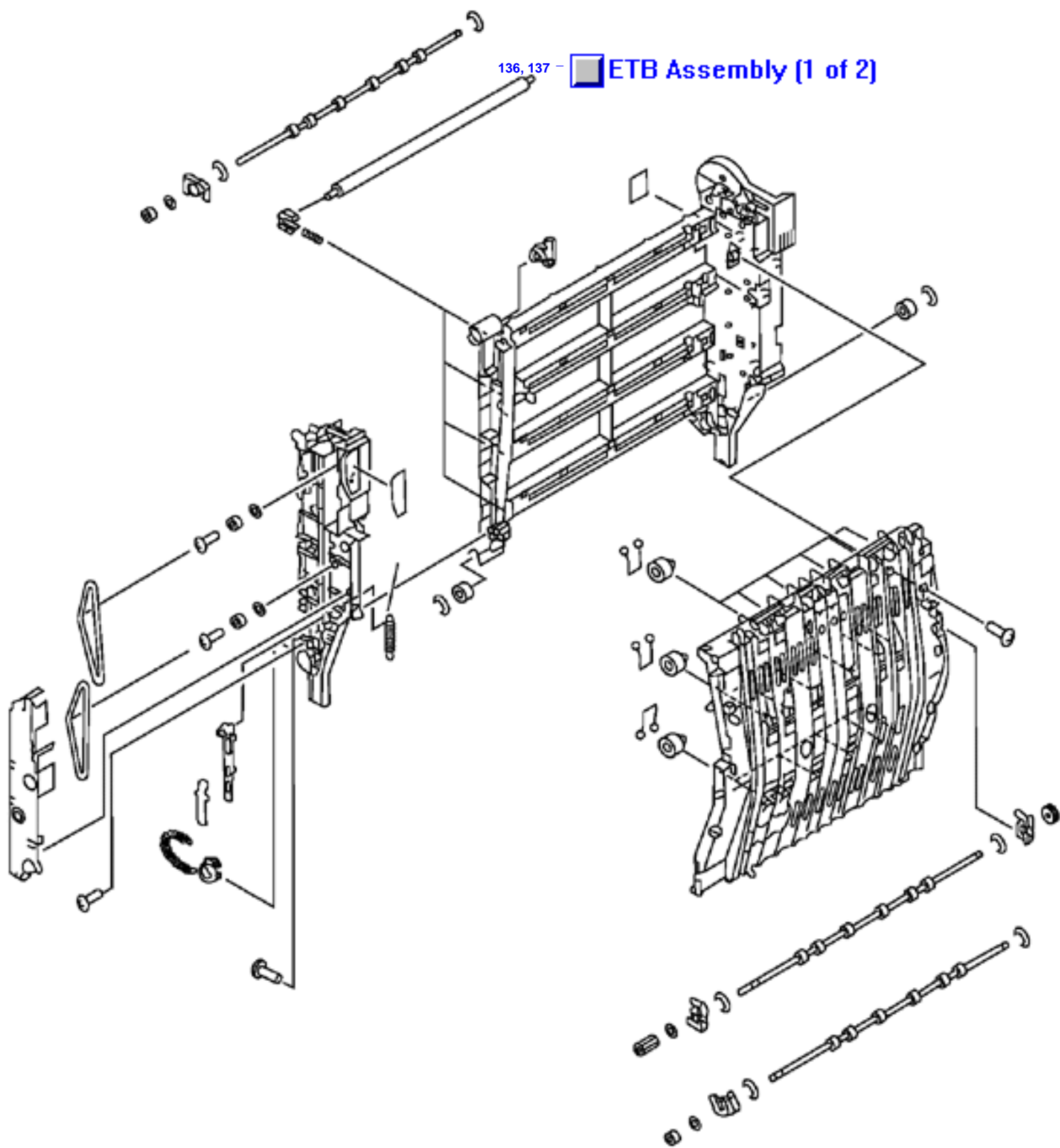
Drum Drive Assembly

66, 67, 68

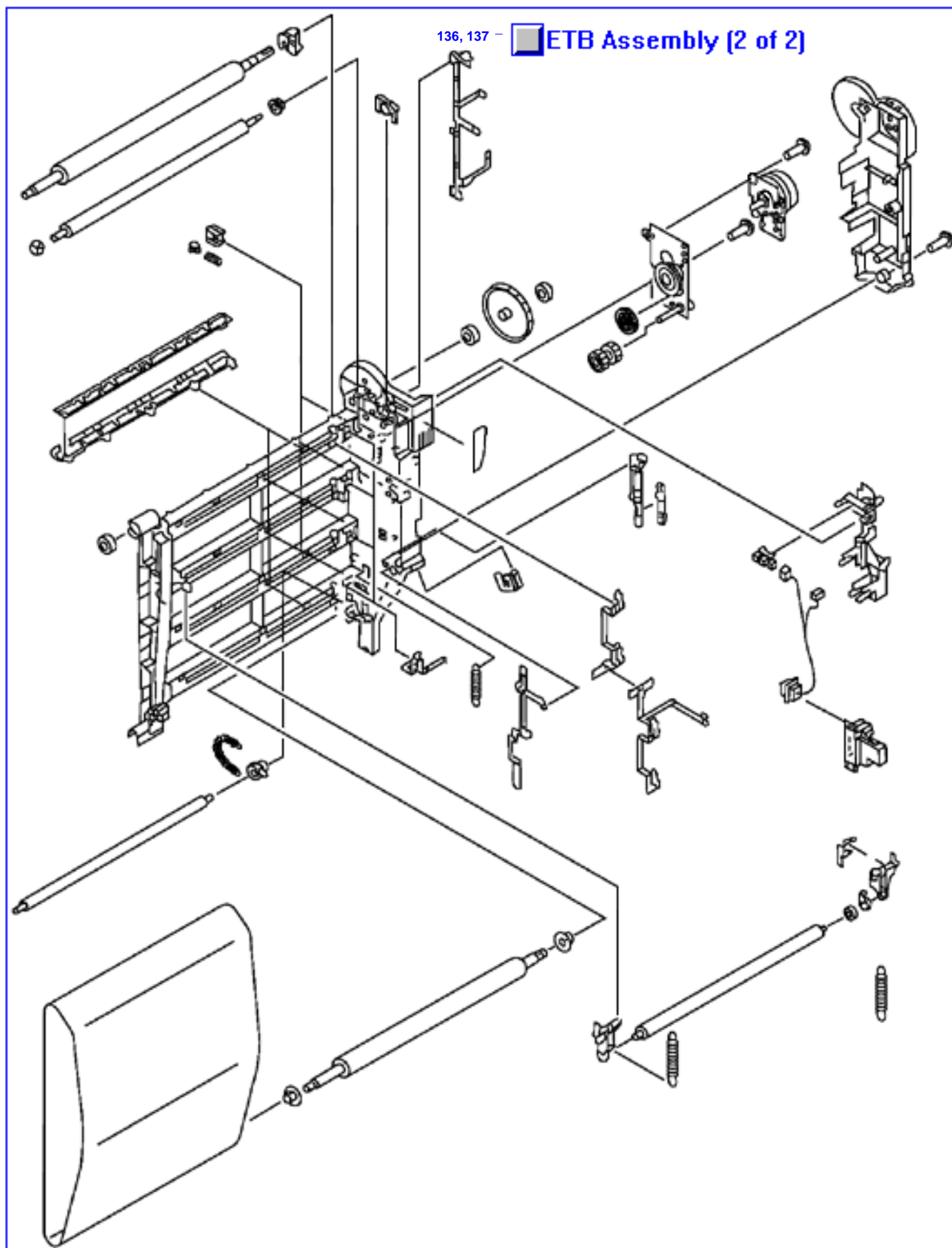
 Drum Drive Assembly



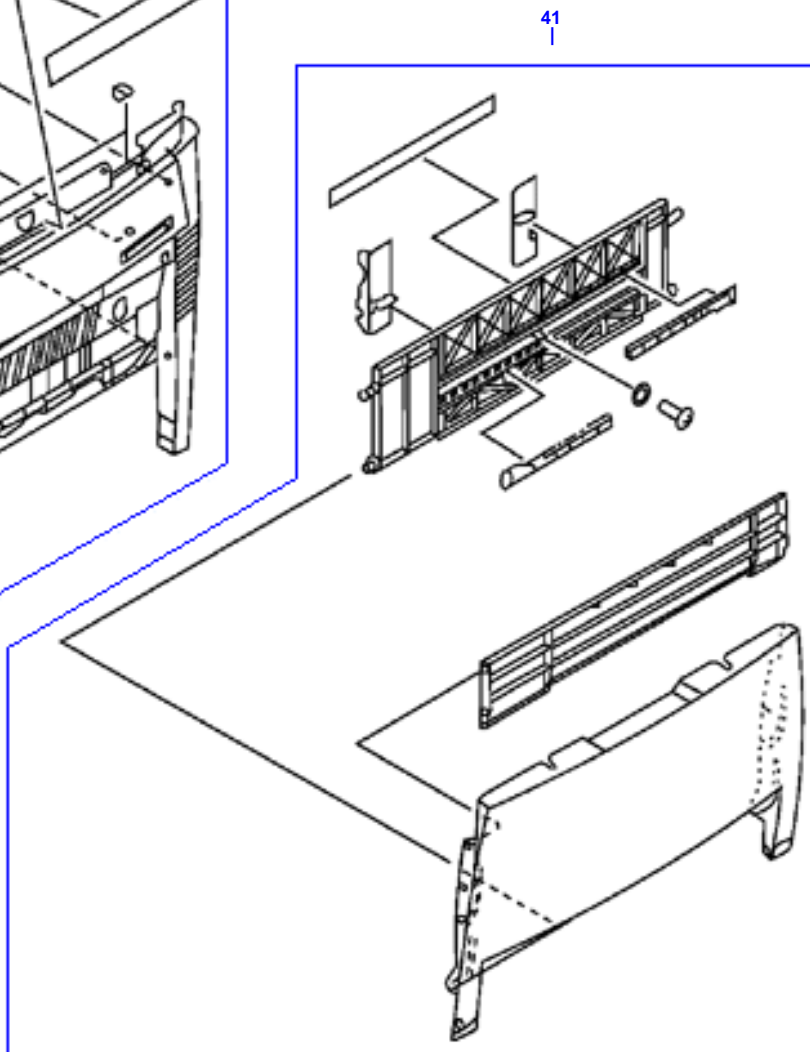
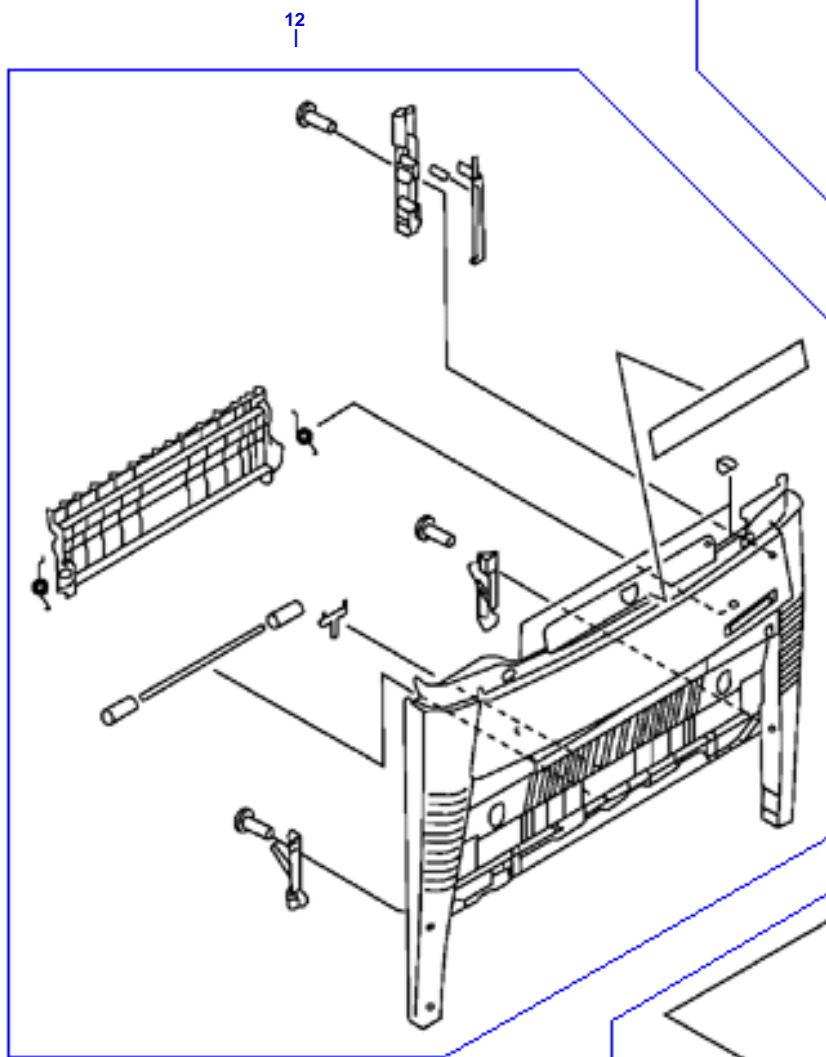
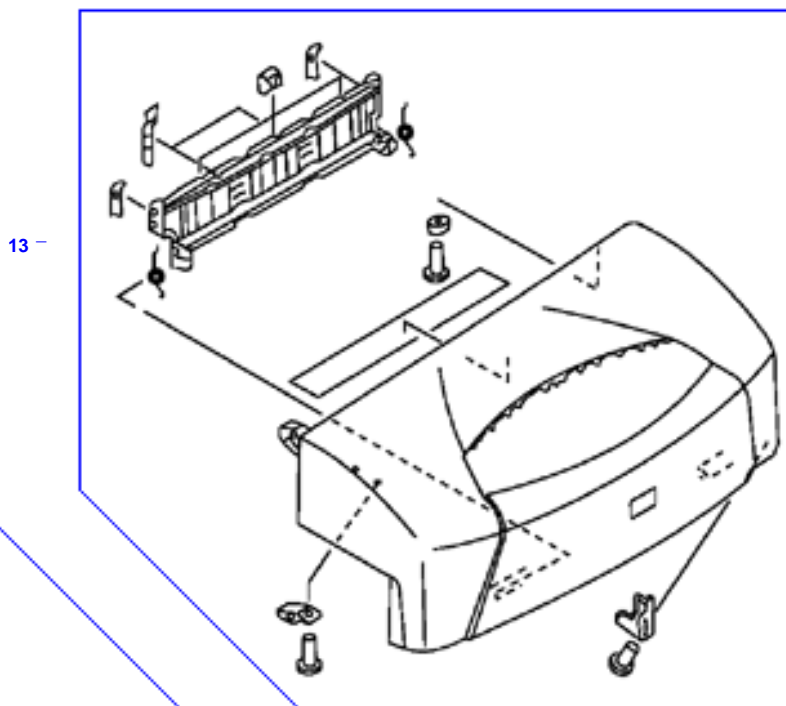
ETB Assembly (1 of 2)



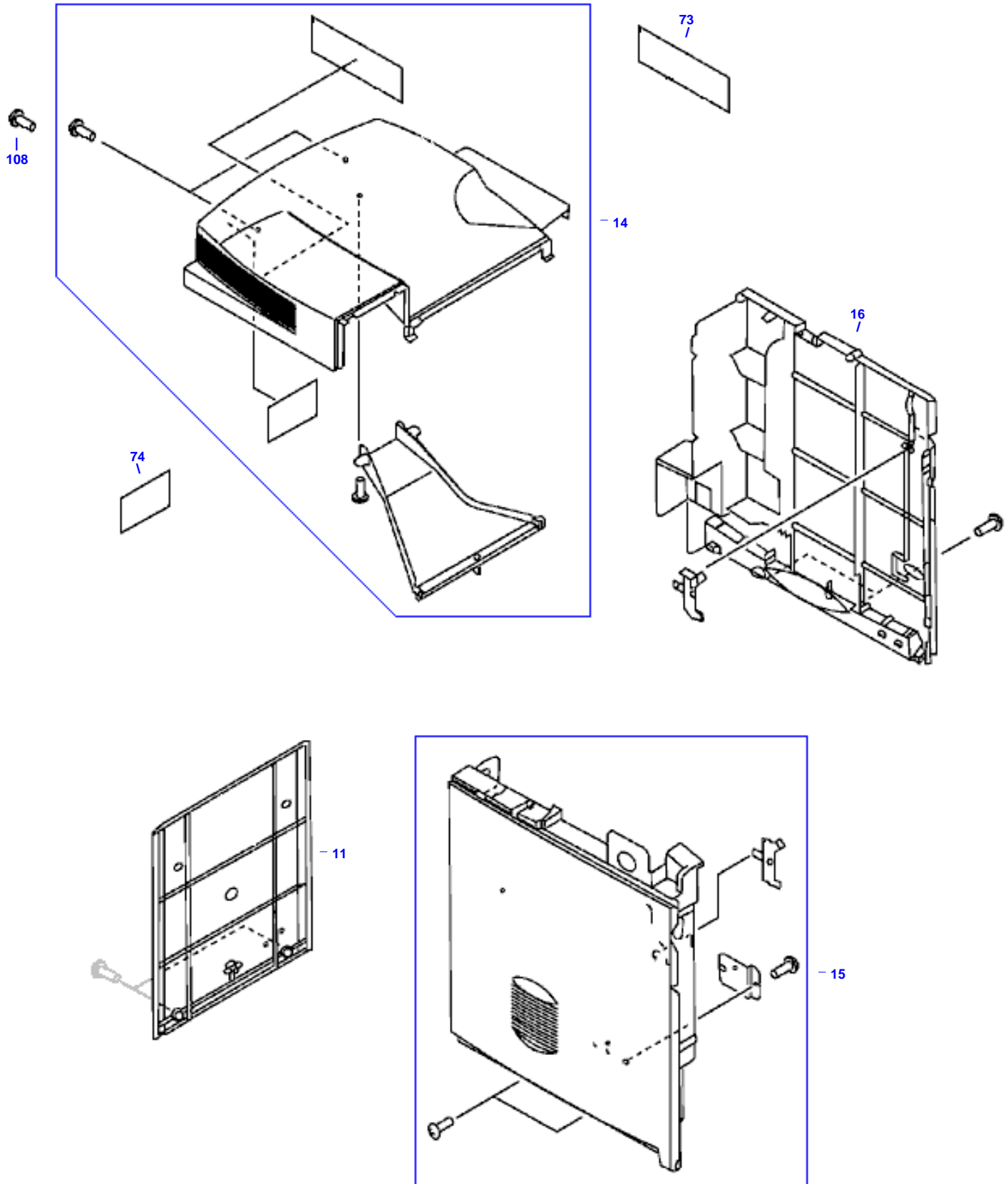
ETB Assembly (2 of 2)



External Covers and Panels (2 of 2)

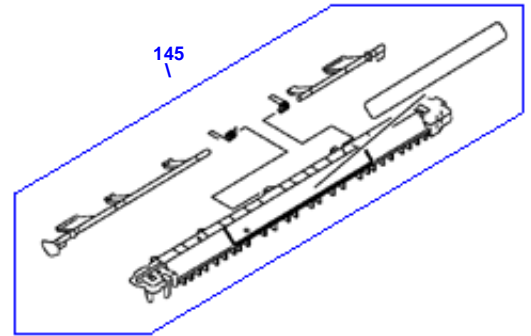
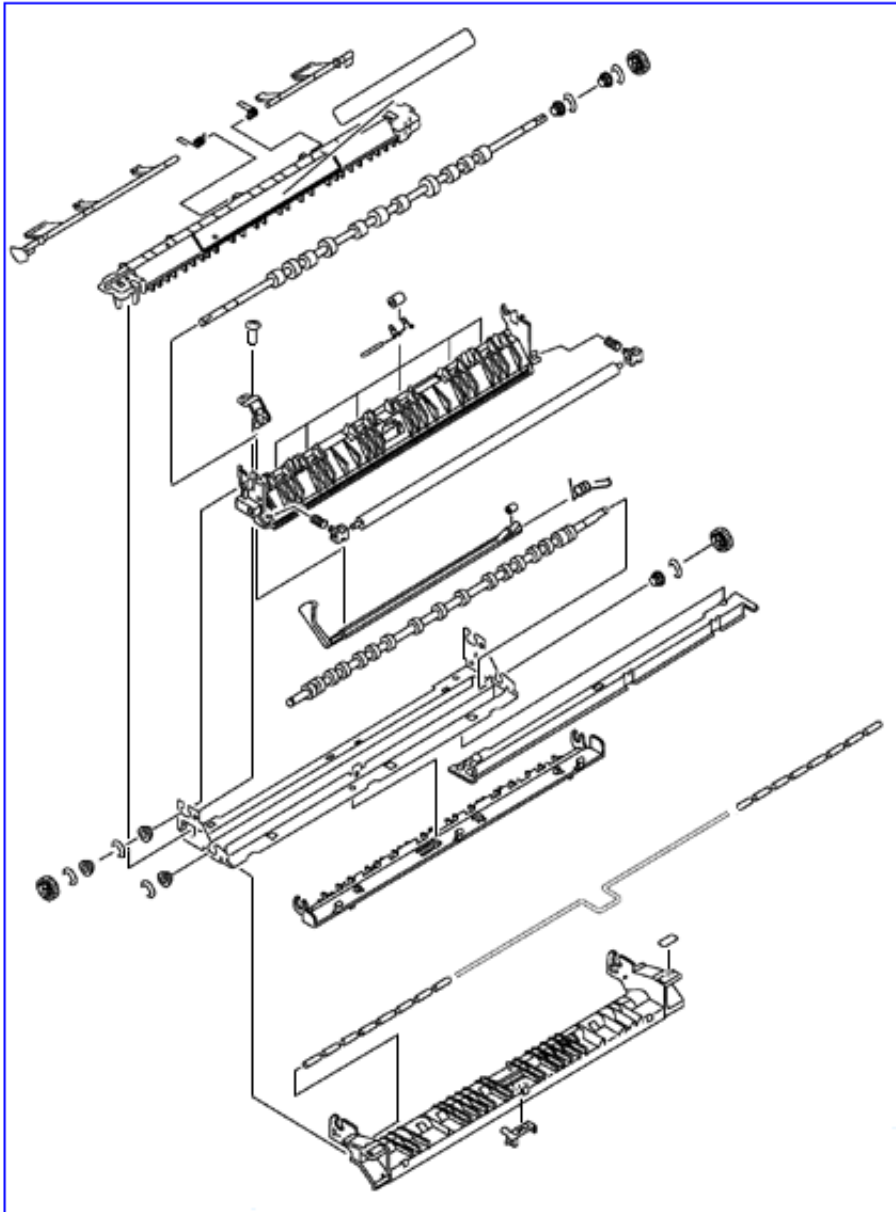


External Covers and Panels (1 of 2)



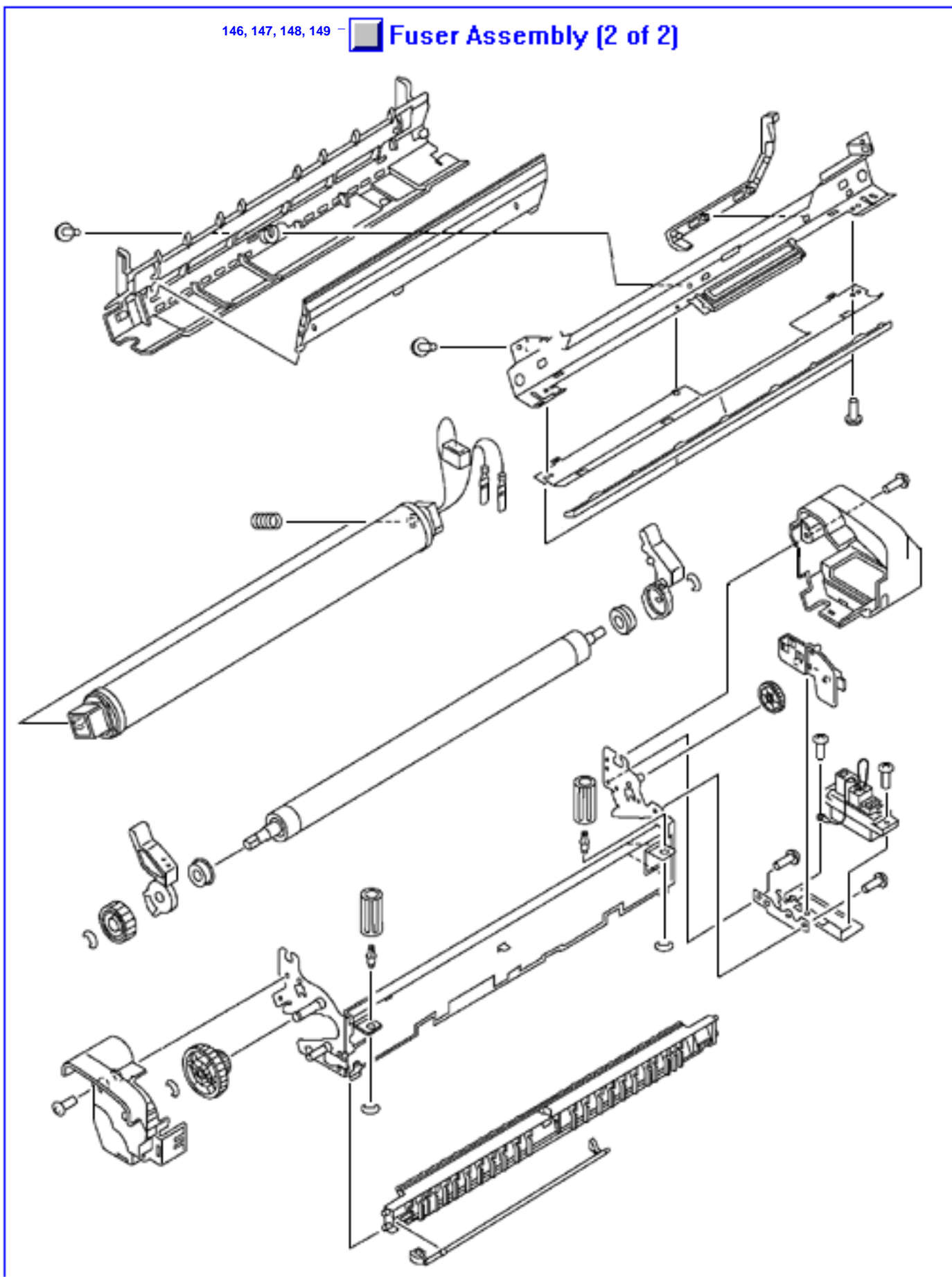
Fuser Assembly (1 of 2)

146, 147, 148, 149 -  Fuser Assembly (1 of 2)



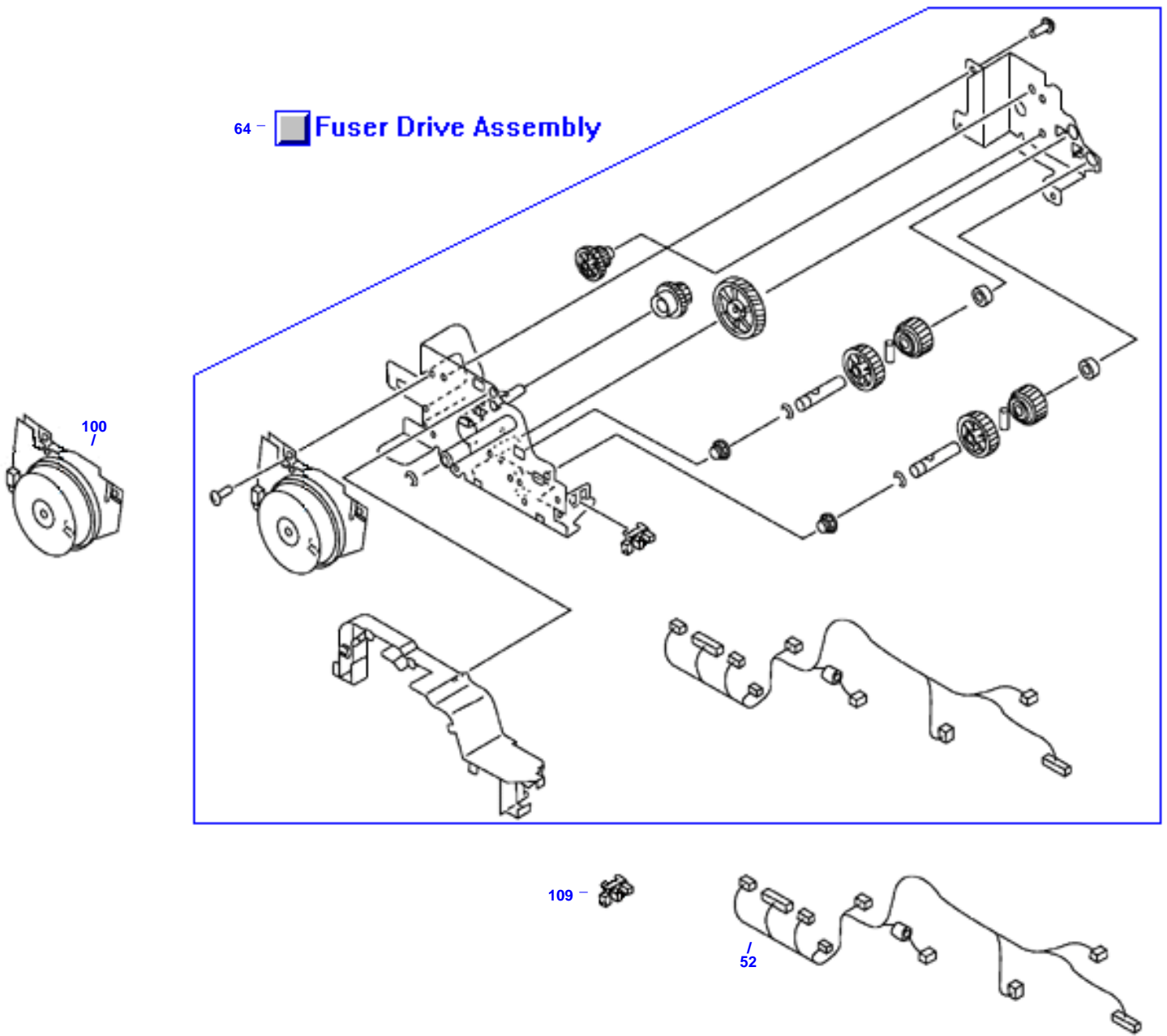
Fuser Assembly (2 of 2)

146, 147, 148, 149 -  Fuser Assembly (2 of 2)

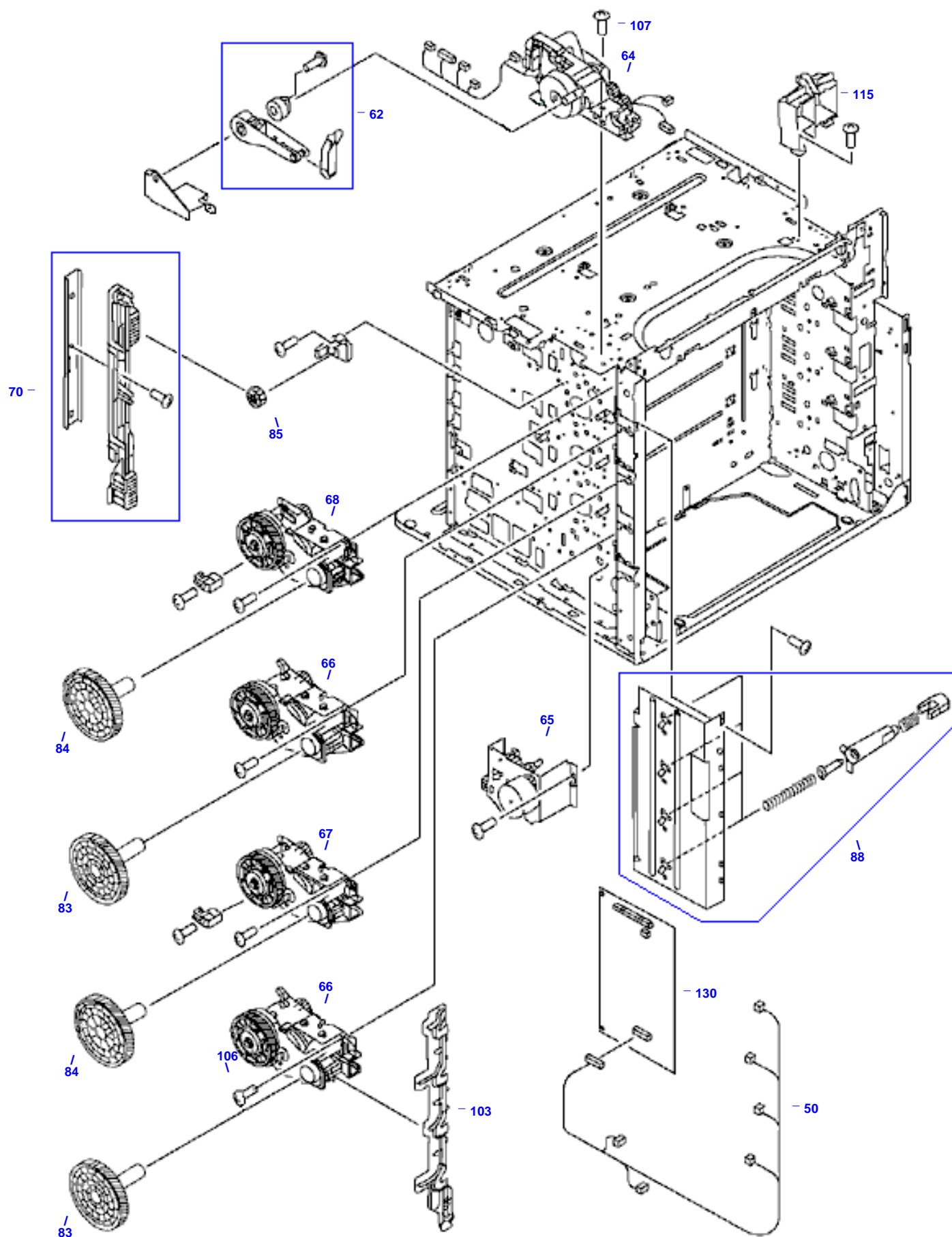


Fuser Drive Assembly

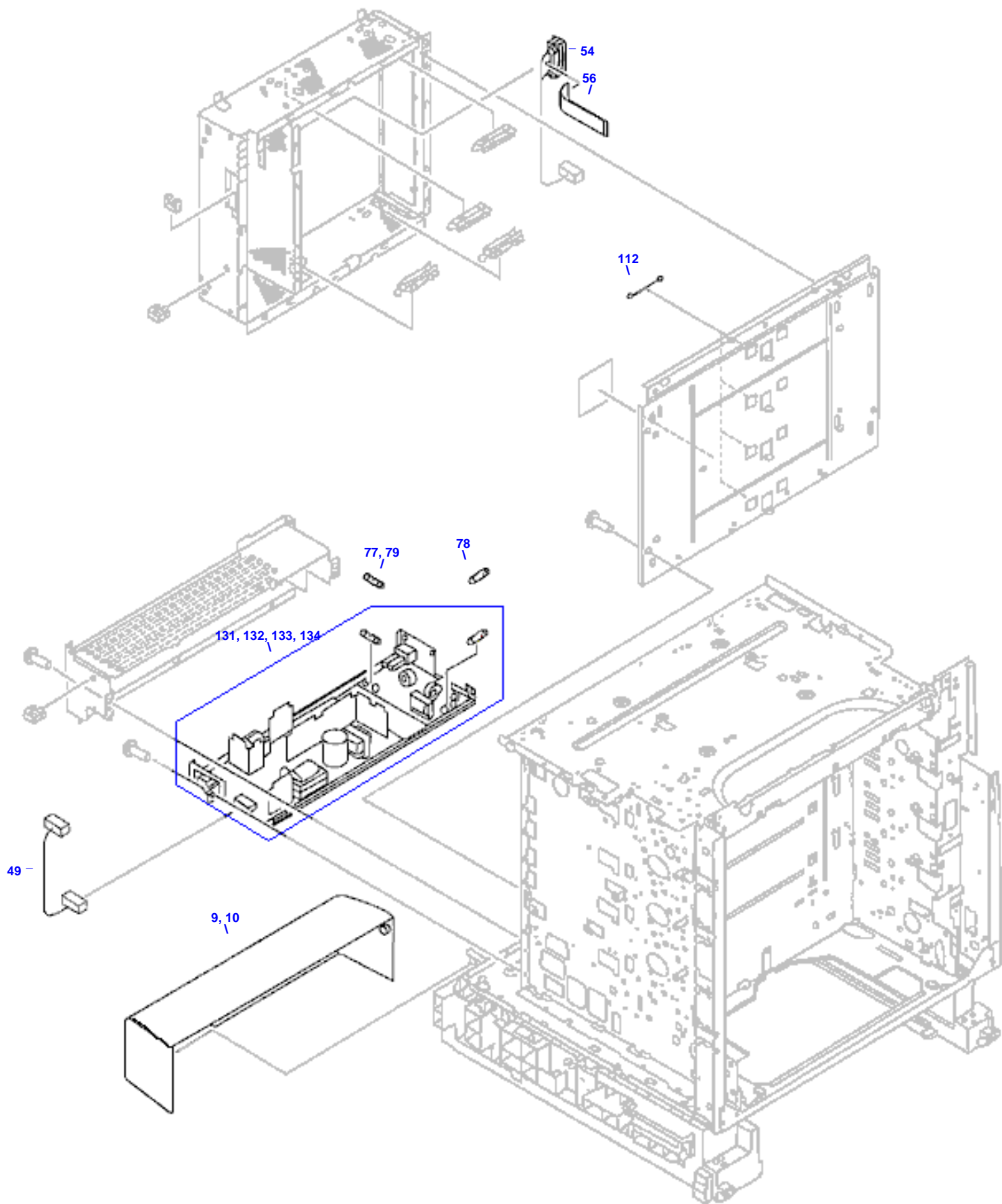
64 -  Fuser Drive Assembly



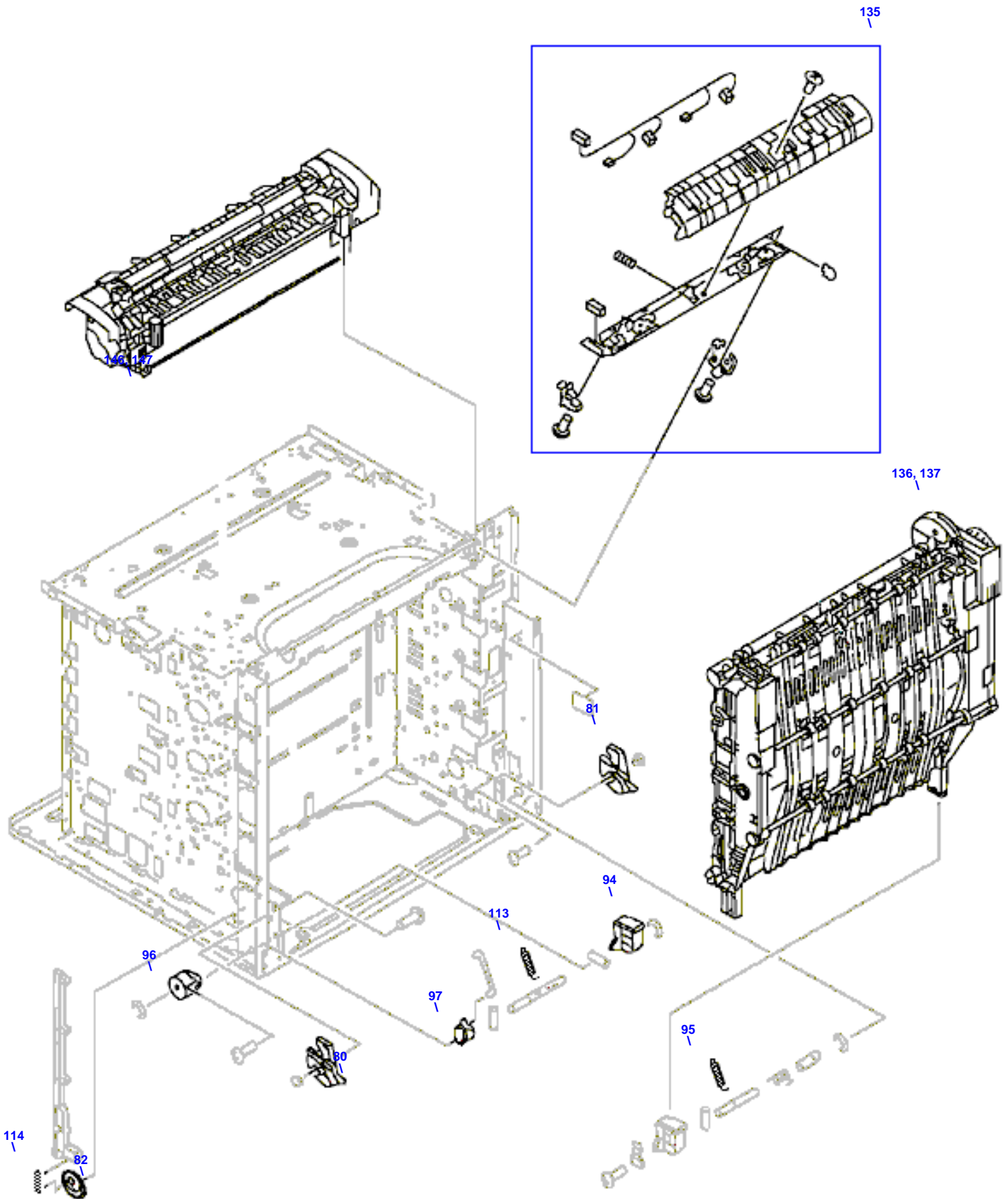
Internal Components (1 of 9)



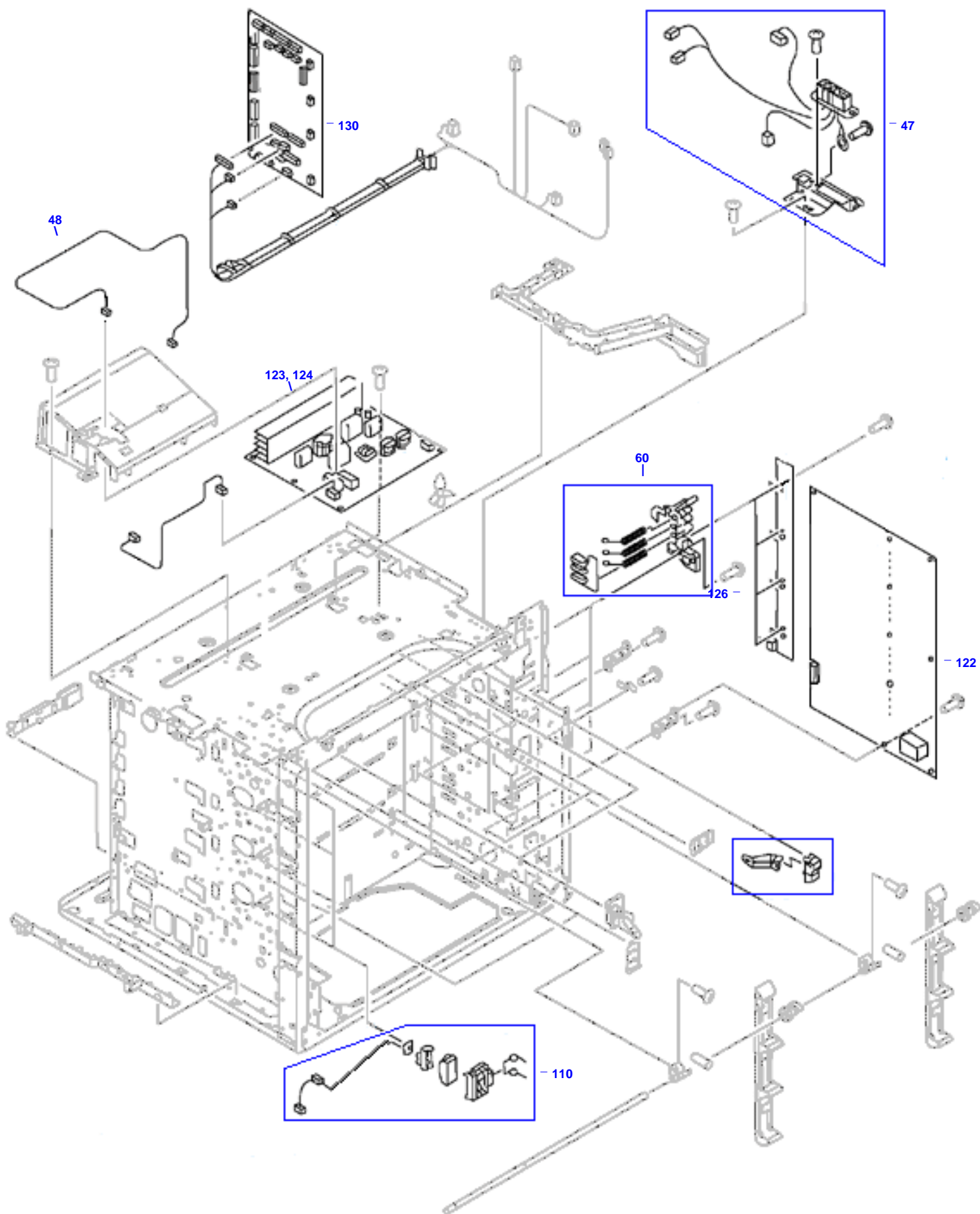
Internal Components (2 of 9)



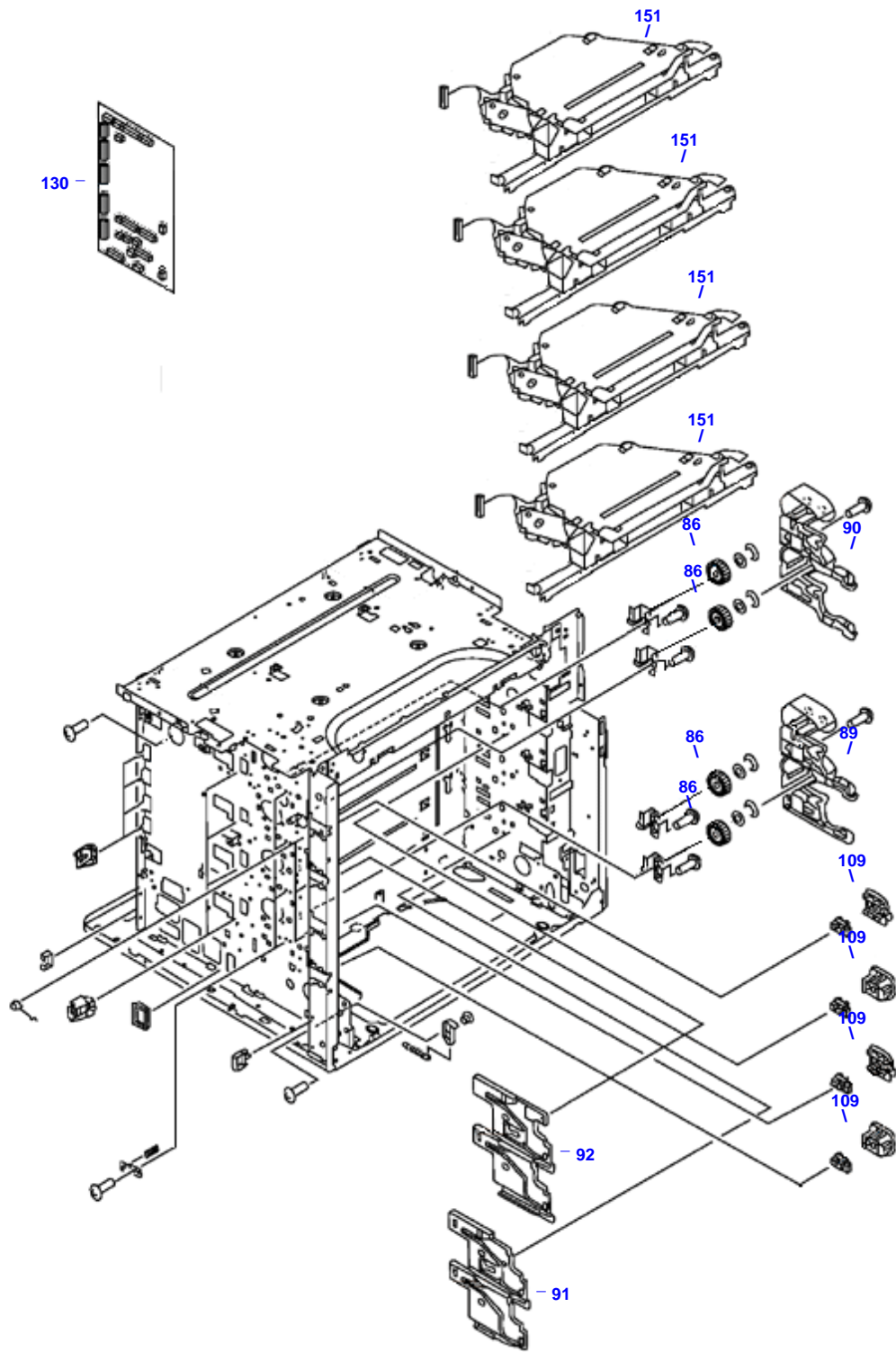
Internal Components (3 of 9)



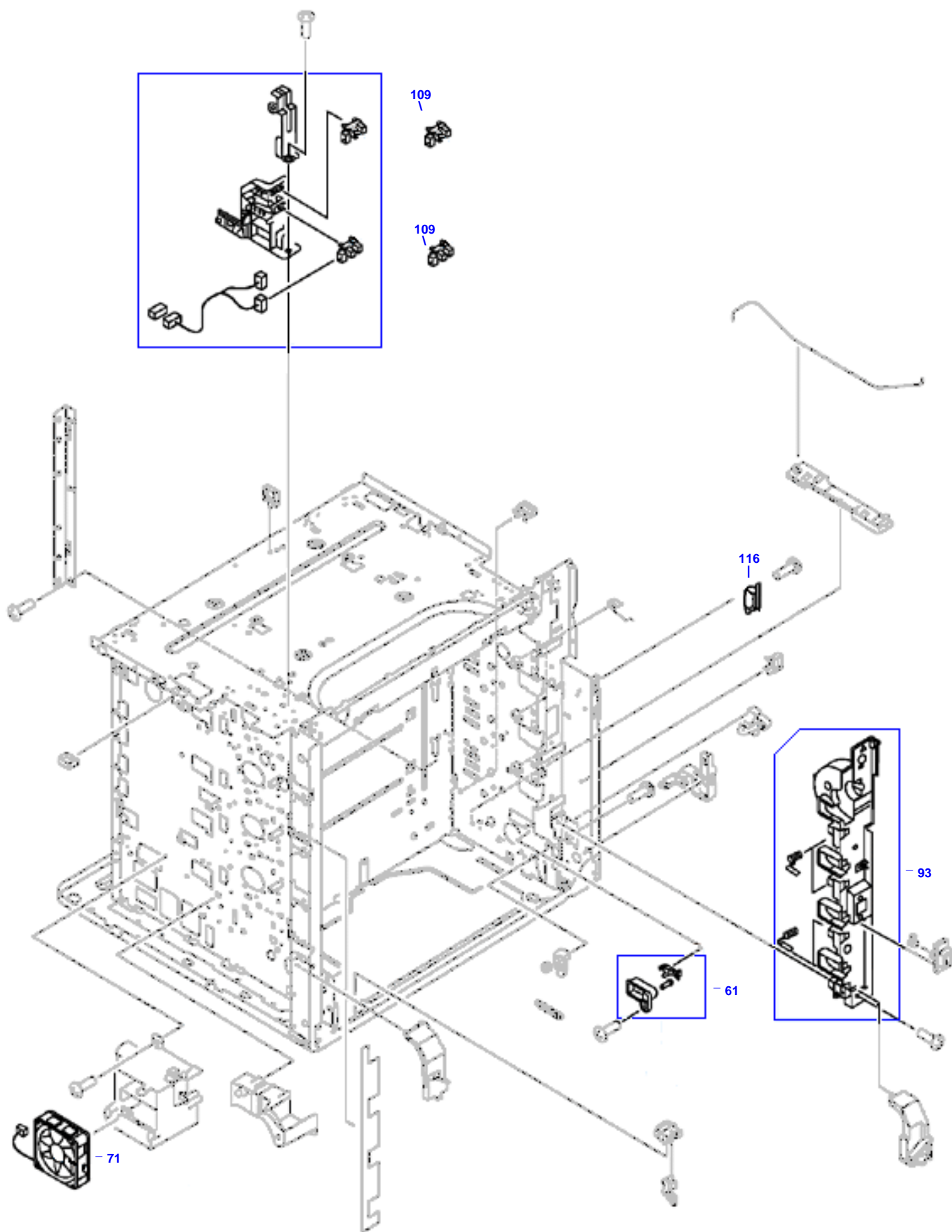
Internal Components (5 of 9)



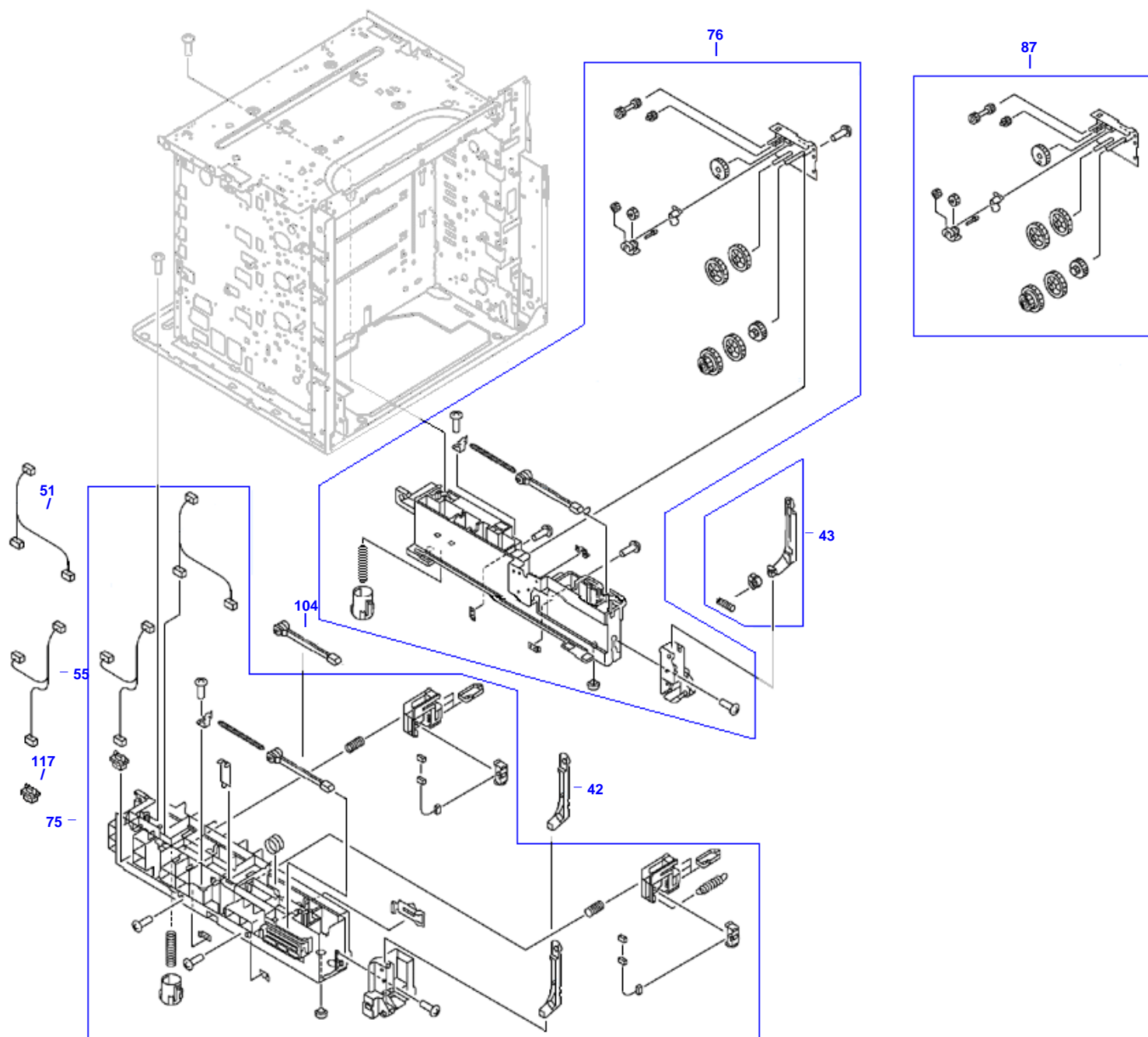
Internal Components (6 of 9)



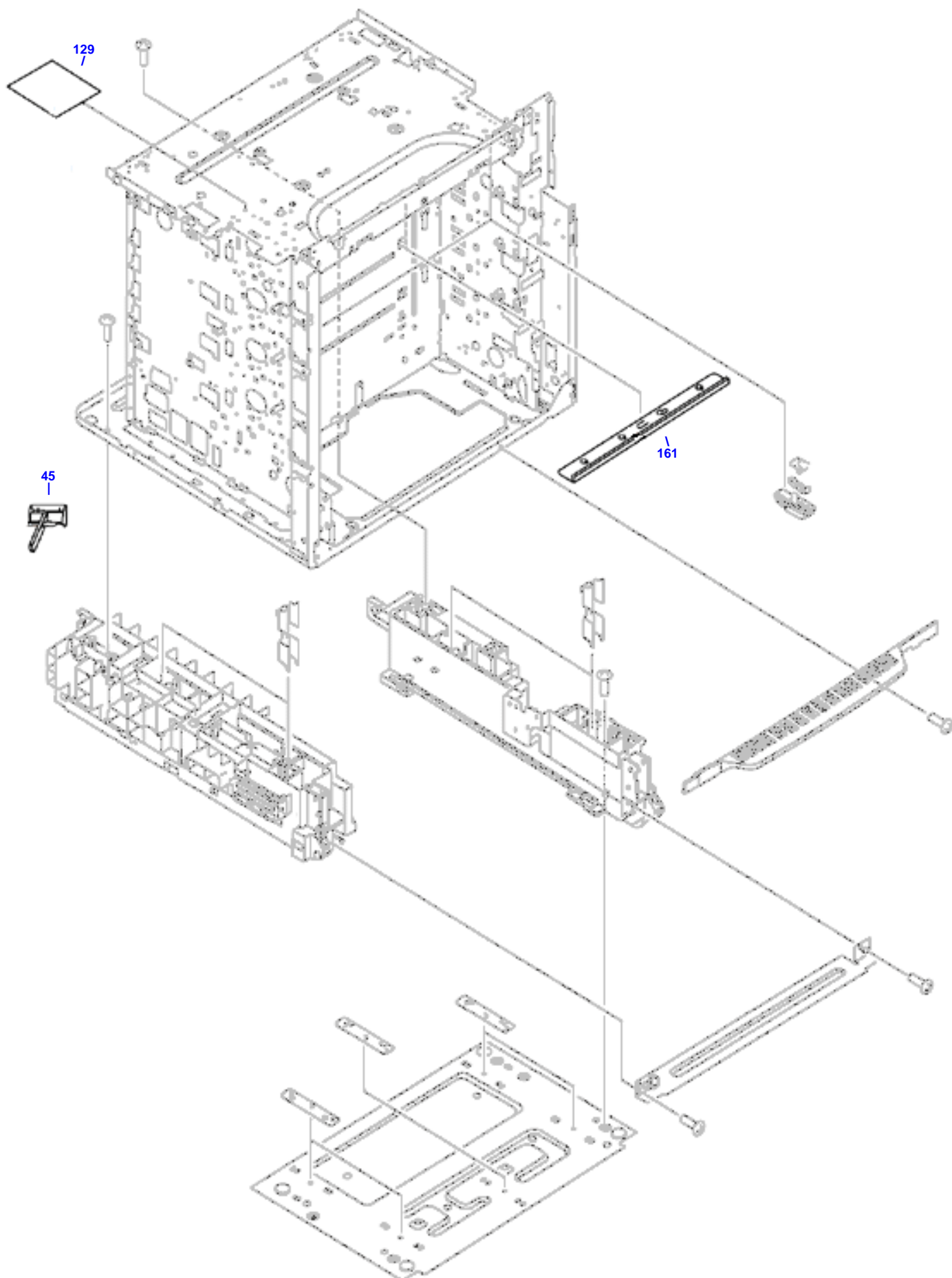
Internal Components (7 of 9)



Internal Components (8 of 9)

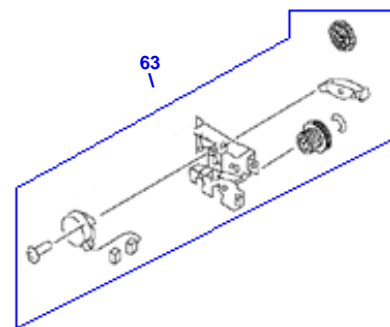
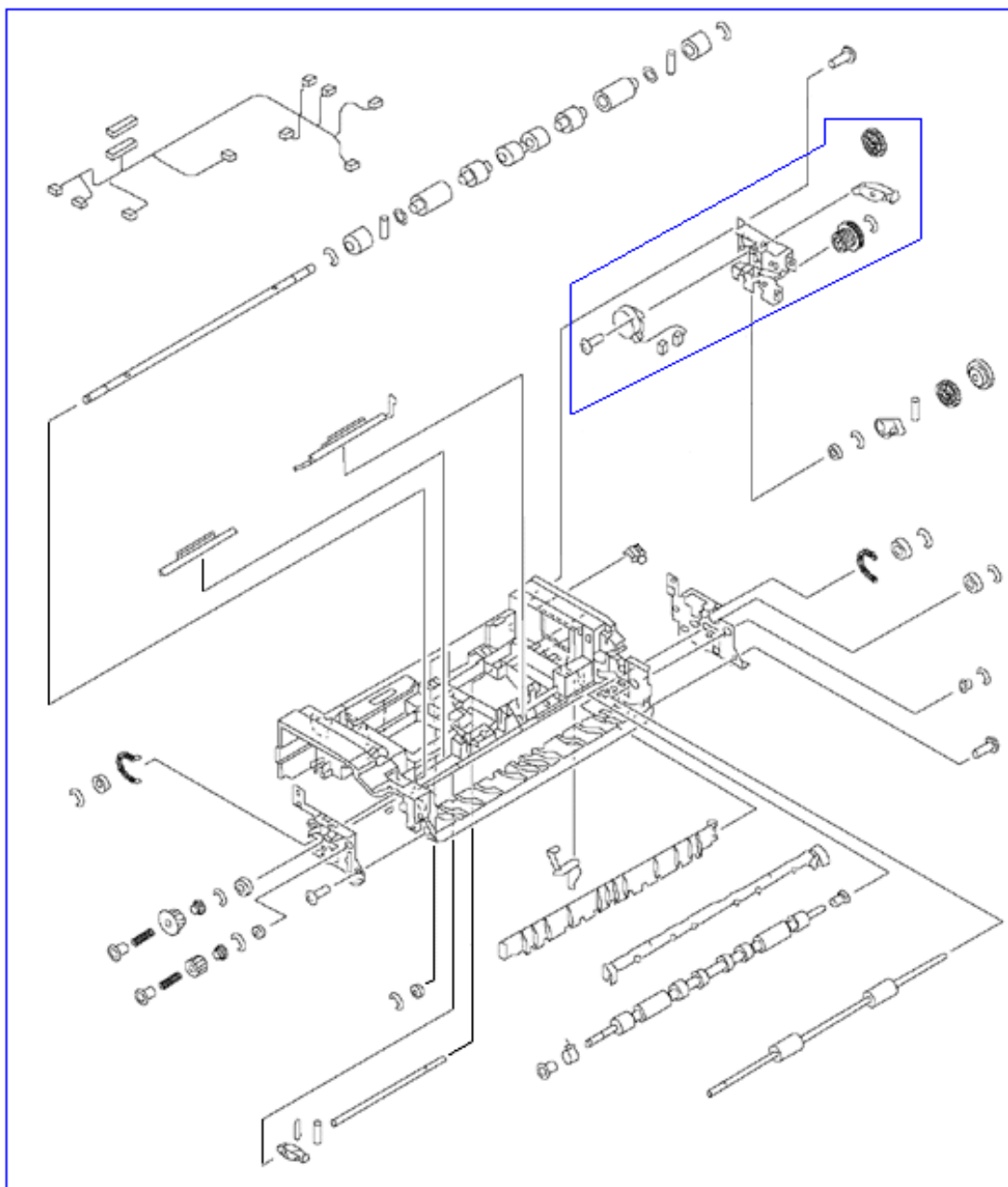


Internal Components (9 of 9)

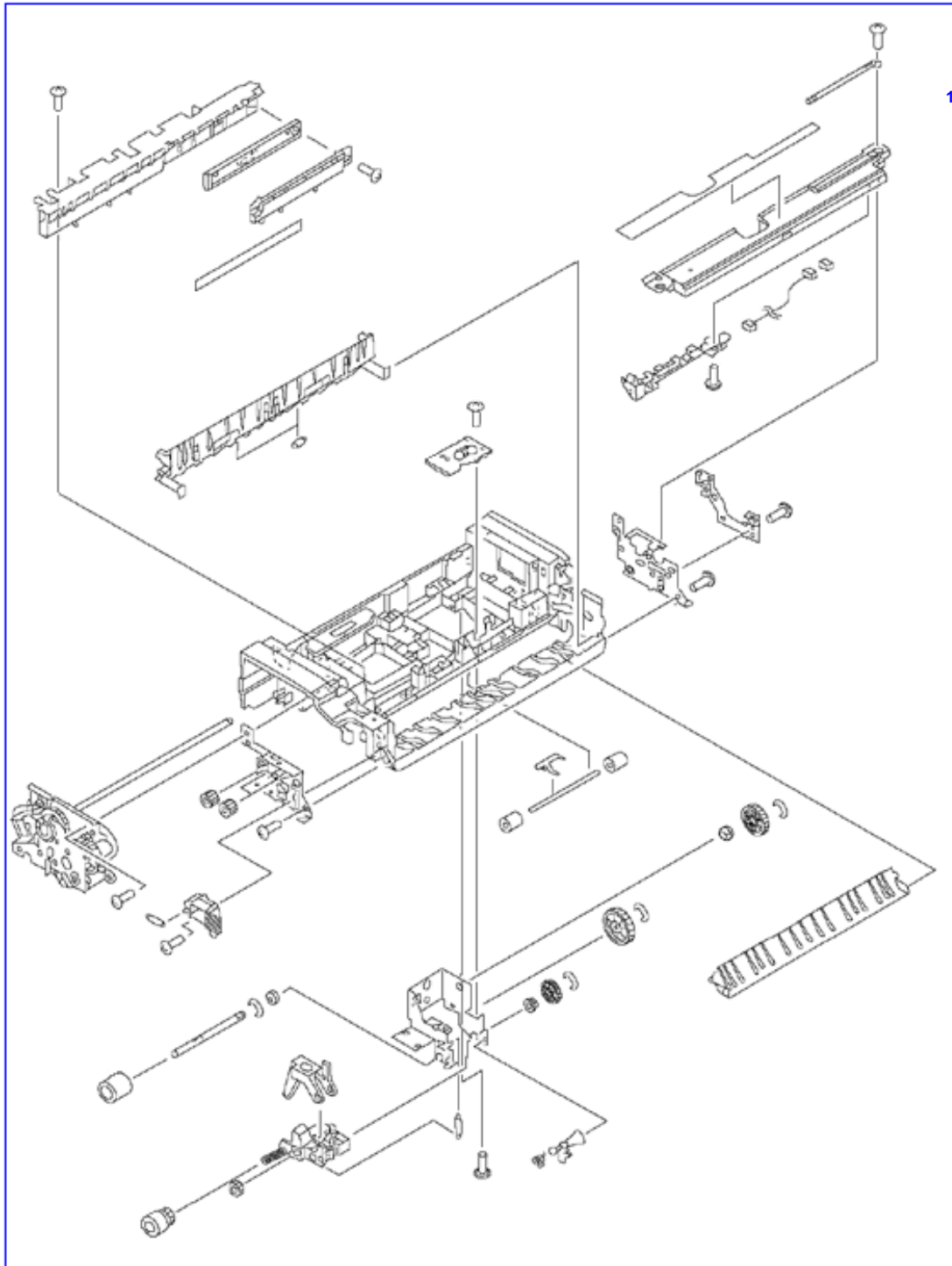


Paper Pickup Assembly (1 of 2)

154 -  Paper Pickup Assembly (1 of 2)



Paper Pickup Assembly (2 of 2)



154  Paper Pickup
Assembly (2 of 2)



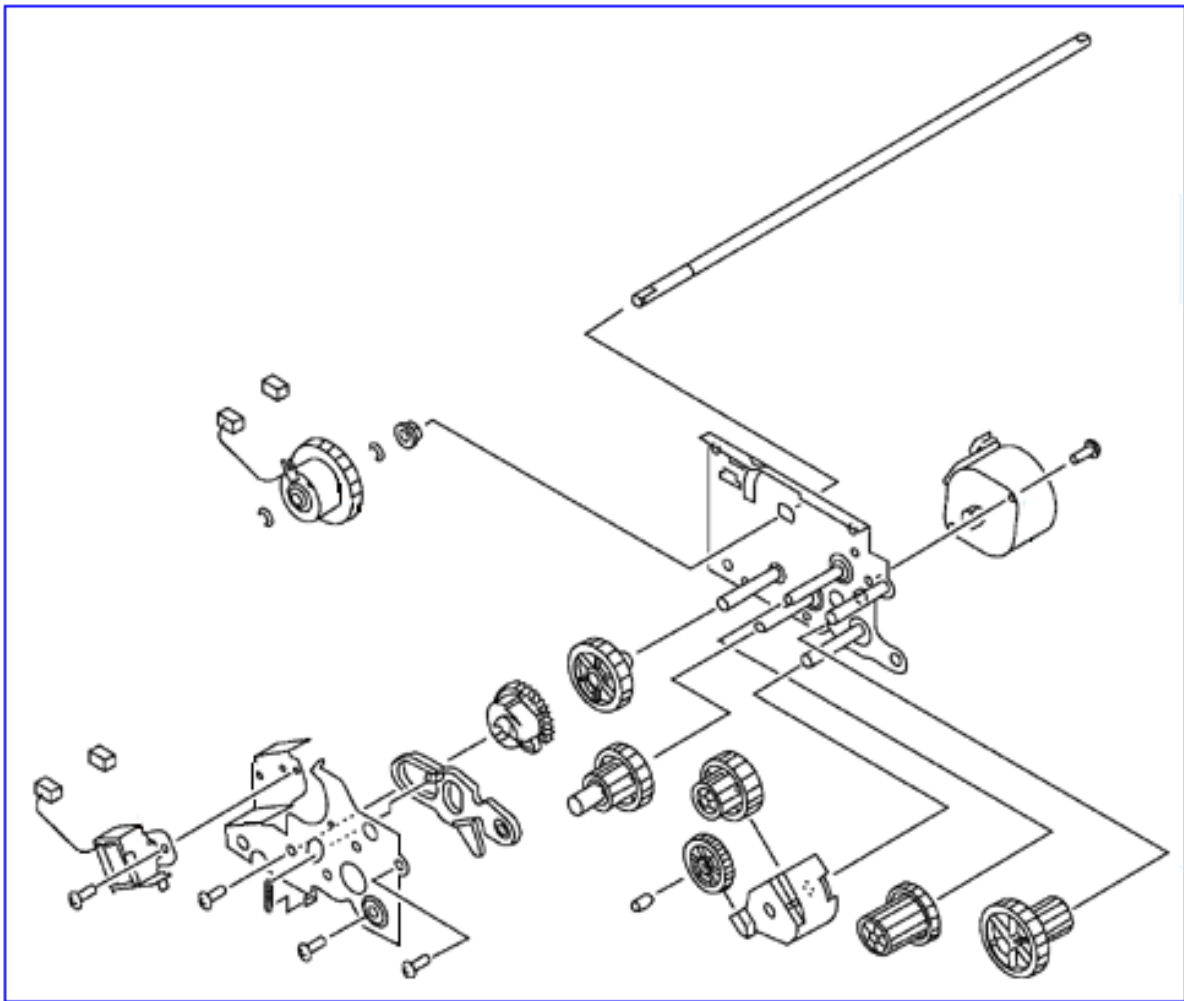
102 

156, 159 

157, 159 

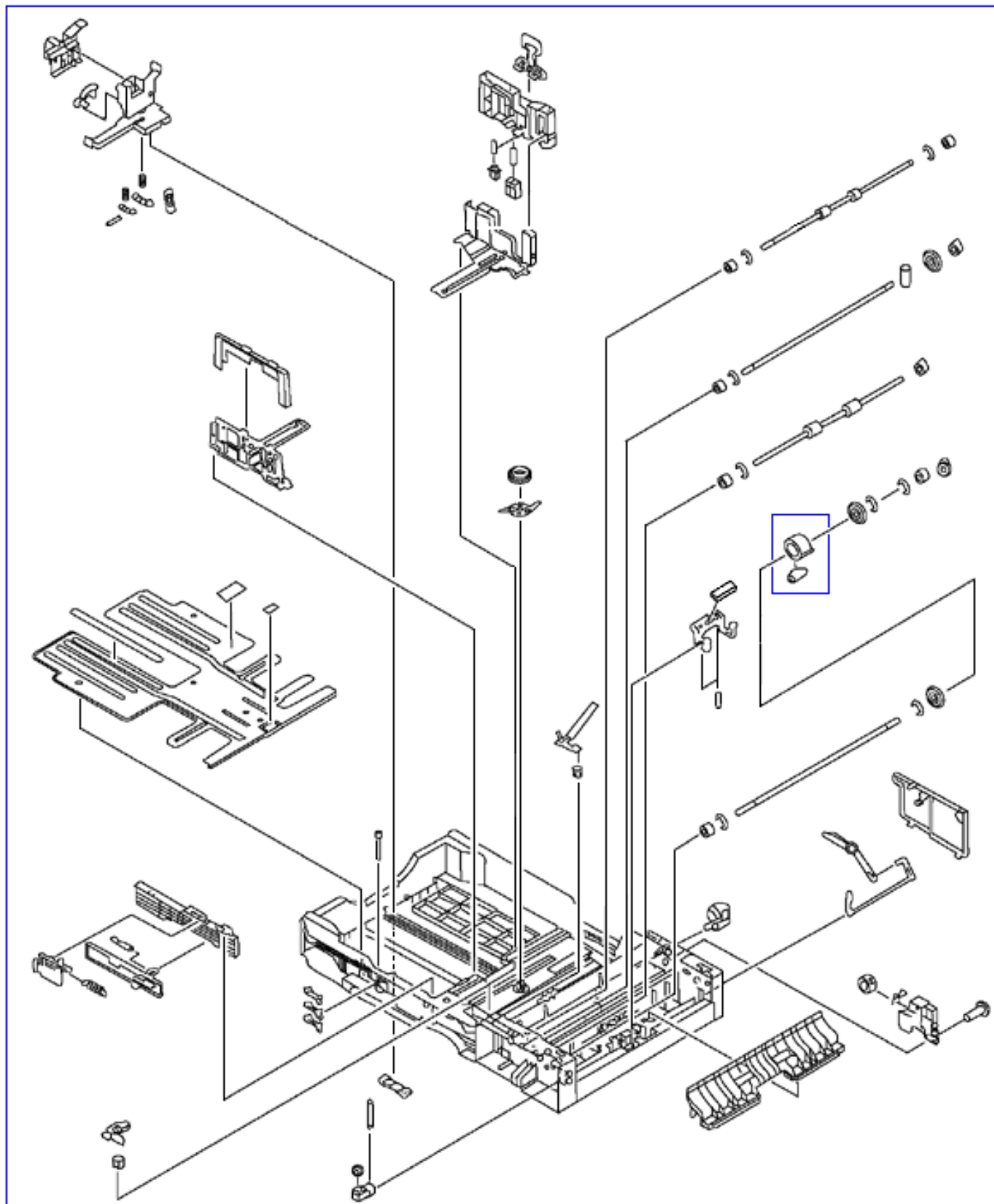
Paper Pickup Drive Assembly

102 -  Paper Pickup Drive Assembly



Tray 2 Paper Cassette (1 of 2)

162 -  Cassette [1 of 2]

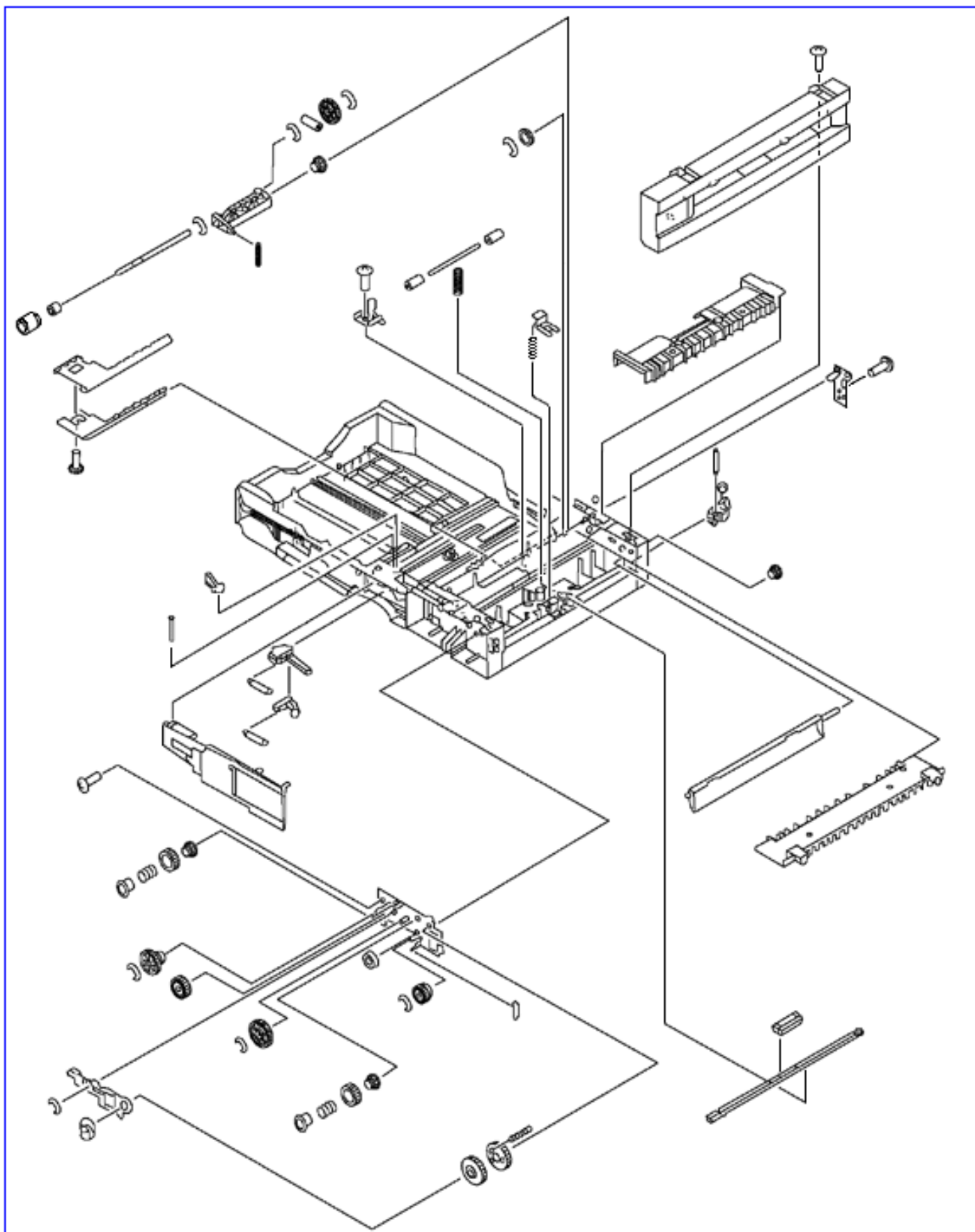


158

152


Tray 2 Paper Cassette (2 of 2)162  **Cassette [2 of 2]**

156, 159





HP Parts Reference Guide

<http://www.hp.com/go/parts>

HP PartSurfer

<http://partsurfer.hp.com>

HP Parts Ordering Information

<http://www.hp.com/go/hpparts>

HP Parts Questions/Comments

<http://partsurfer.hp.com/contactus.htm>