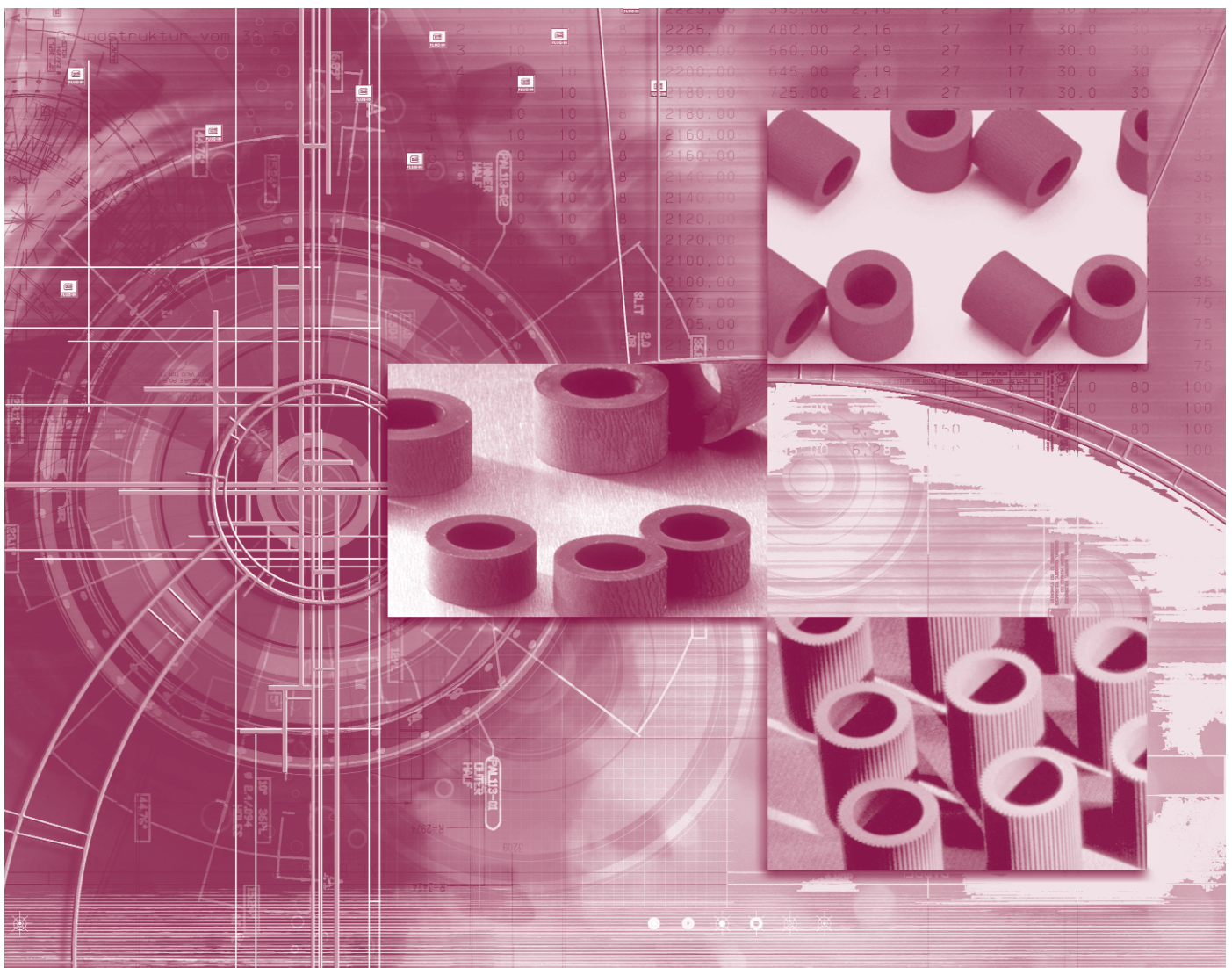


Feed Component Guide

for Konica Minolta Office Equipment



KATUN®

This guide is designed to help you order high quality, cost-effective Katun feed components for the Toshiba office equipment listed below. You can identify the correct Katun part number for a particular feed component in either of two ways:

1. **Cross-reference Katun part numbers with the OEM part number for a given feed component.**
2. **Locate the feed component in the appropriate machine illustration and then reference its identification letter in the product listing.**

All Katun feed components are sold “tire only” unless otherwise noted.

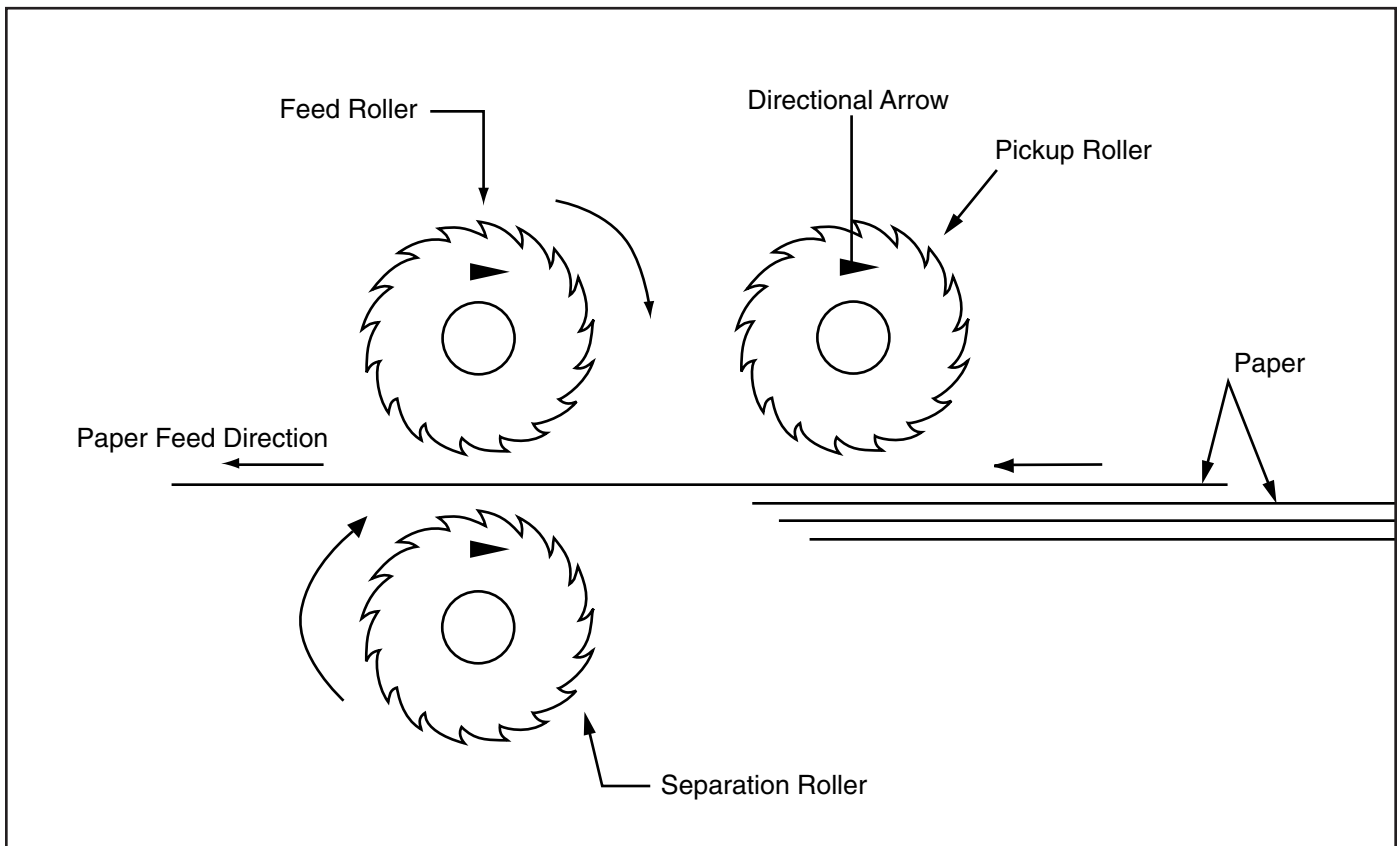
Konica Minolta	Page Number
4155	3
Di 450	4
Di 620	5
7020	6
7022	7
7040	8
7050	9
7075	10
7155	11
ColorFORCE 8050 Bizhub PRO C500	12

Katun feed components are sold “tire only” unless otherwise noted.

For the most current feed component cross-reference information, visit www.katun.com/resourcecenter/feedcompguide.html

Installing Katun Feed Tires? Proper Installation Ensures Excellent Performance

Most "crepe-style" (textured surface) Katun tire-only feed tires are imprinted with a directional arrow or mark. When installing, it is essential that the imprinted arrow points in the direction of required tire rotation. In certain machine applications, this may mean that the side for the tire that bears the imprinted arrow faces toward the technician; in other applications, the arrow side may face toward the rear of the machine.



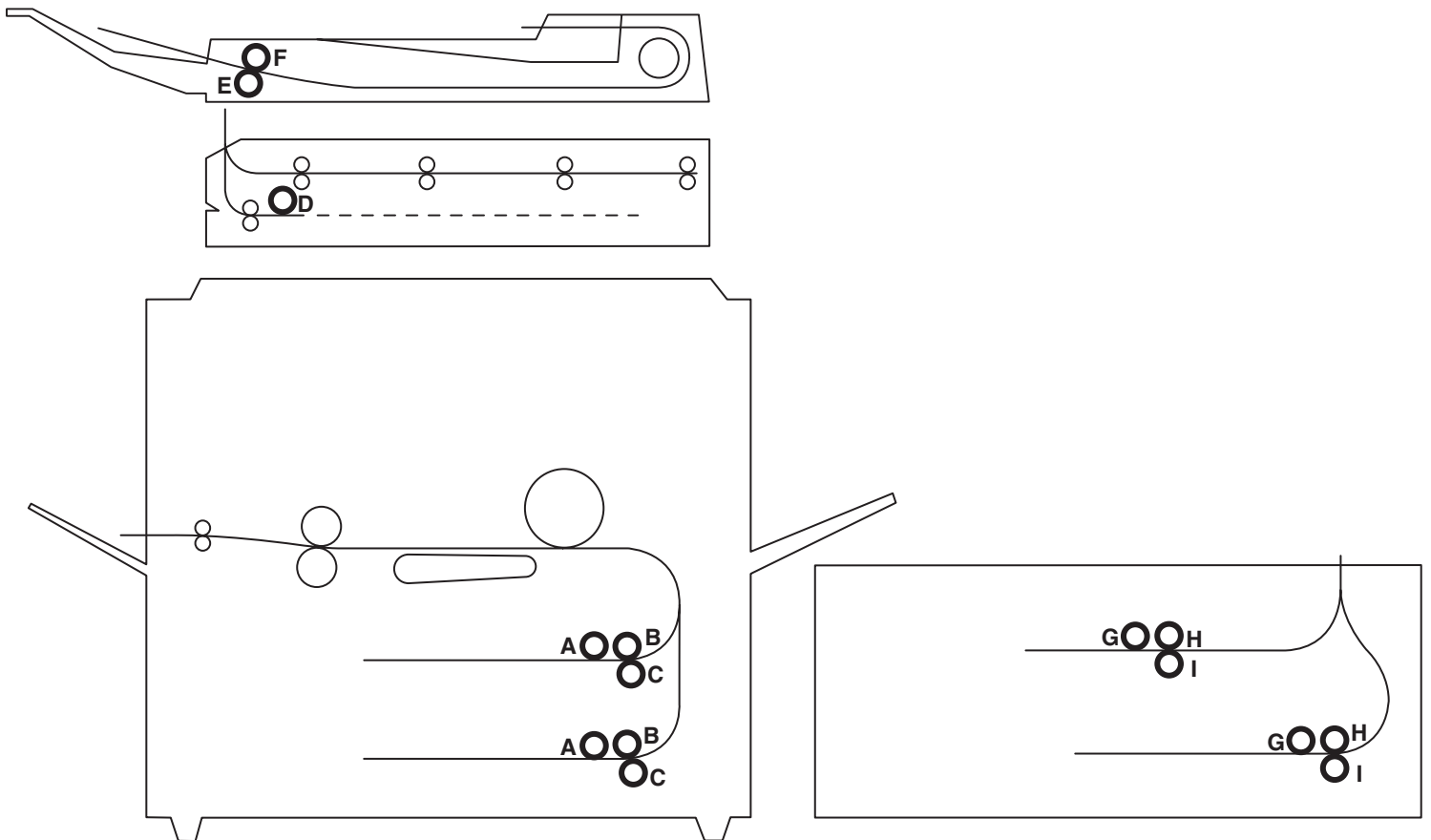
Feed Component Care Tips

- Keep bags sealed tightly until feed components will be installed.
- Store feed components in a cool, dry, and dark location.
- Clean feed components ONLY with soap and warm water.

Konica Minolta 4155 (with AD-304, DF-306, LT-251)

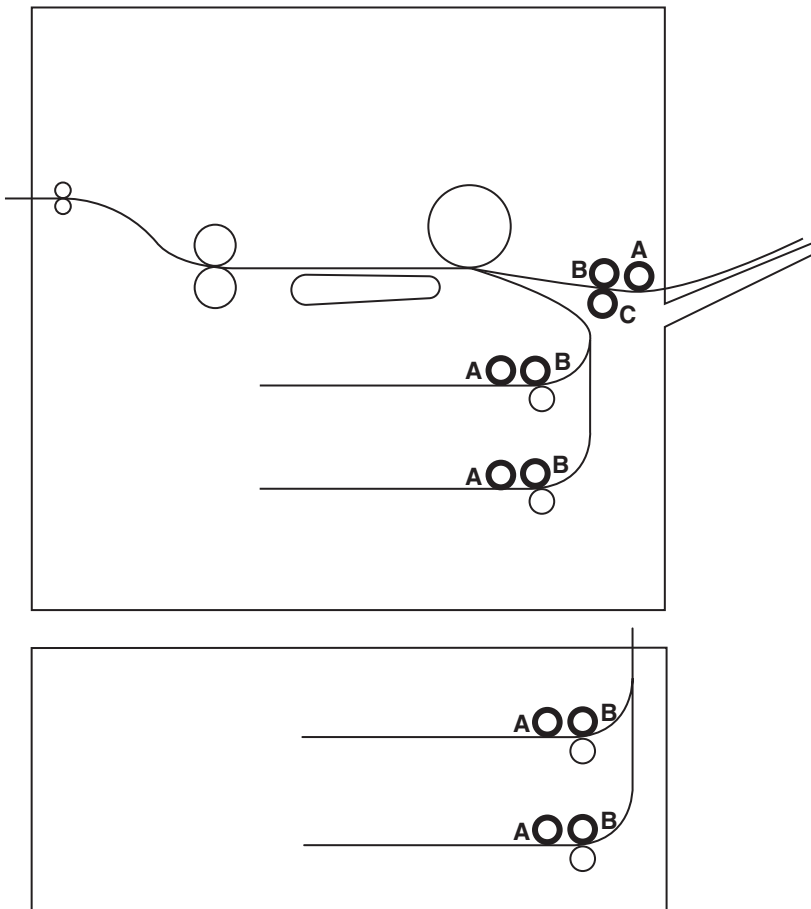
Description	OEM PN	Katun PN
-------------	--------	----------

A Pickup Tire	25BA40320	18142
B Feed Tire	4024-1030-01 540040562	15378
C Double Feed Prevention Roller	5400-4301	9202
D Reverse Roller	396077090	146
E Double Feed Prevention Roller	12ER40313	9202
F Original Feed Tire	12ER40341	13142
G Pickup Tire	25BA40320	18142
H Feed Tire	4024-1030-01 540040562	15378
I Double Feed Prevention Roller	5400-4301	9202



Konica Minolta Di 450 (with PF-115, PF-208)

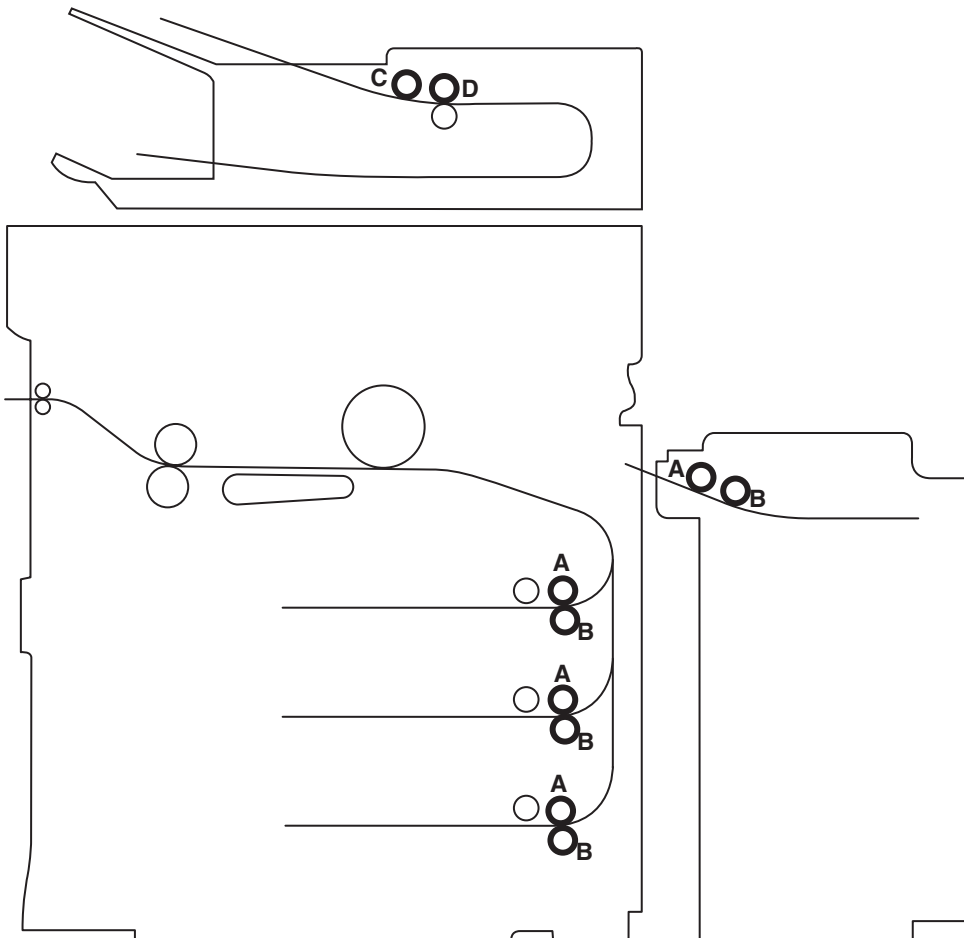
	Description	OEM PN	Katun PN
A	Pickup Roller	4002-3201-01	22052
B	Feed Roller (with hub assembly)	4002-3216-01	21951
C	Bypass Upper Separation Roller (with hub assembly)	1136-0162-01	27306



Konica Minolta Di 620 (with C-304, EDH-1)

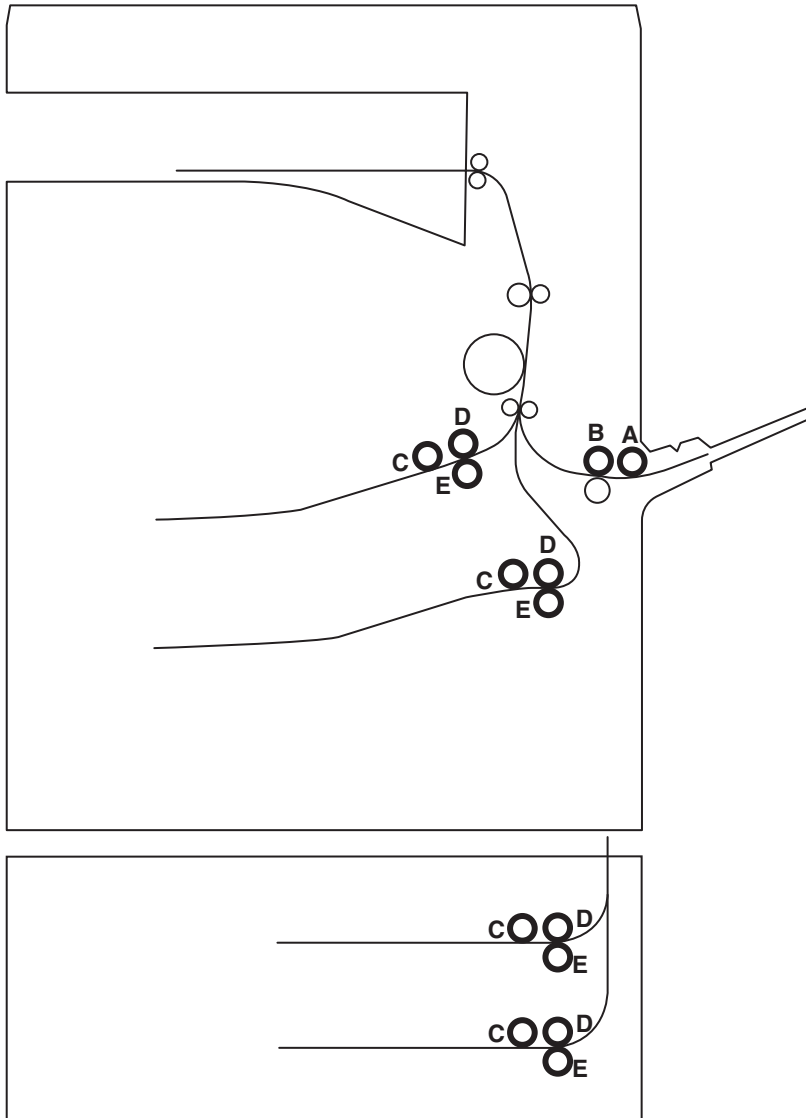
Description	OEM PN	Katun PN
-------------	--------	----------

A Pickup/Feed Roller (with hub assembly)	1075-3051-01	27301
B Pickup/Feed Roller	1075-3051-01	13024
C Original Pickup Roller (with hub assembly)	4469-3503-01	26224
D Original Feed Roller (with hub assembly)	4469-3504-01	25702



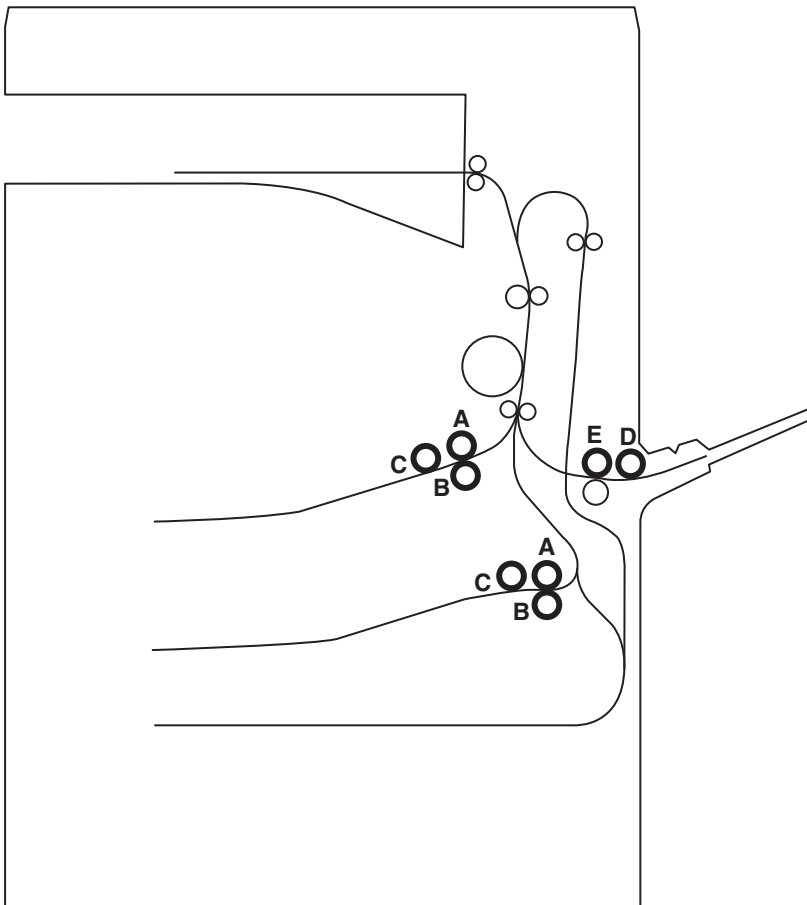
Konica Minolta 7020 (with DB-209/409)

Description	OEM PN	Katun PN
A Bypass Pickup Tire	25BA40320	18142
A Bypass Pickup Roller	26NA-4280	18142
B Feed Tire	540040562	15378
C Feed Tire	26NA40090	22792
D Double Feed Prevention Tire	26NA40110	22793
E Double Feed Prevention Tire	26NA40120	22794



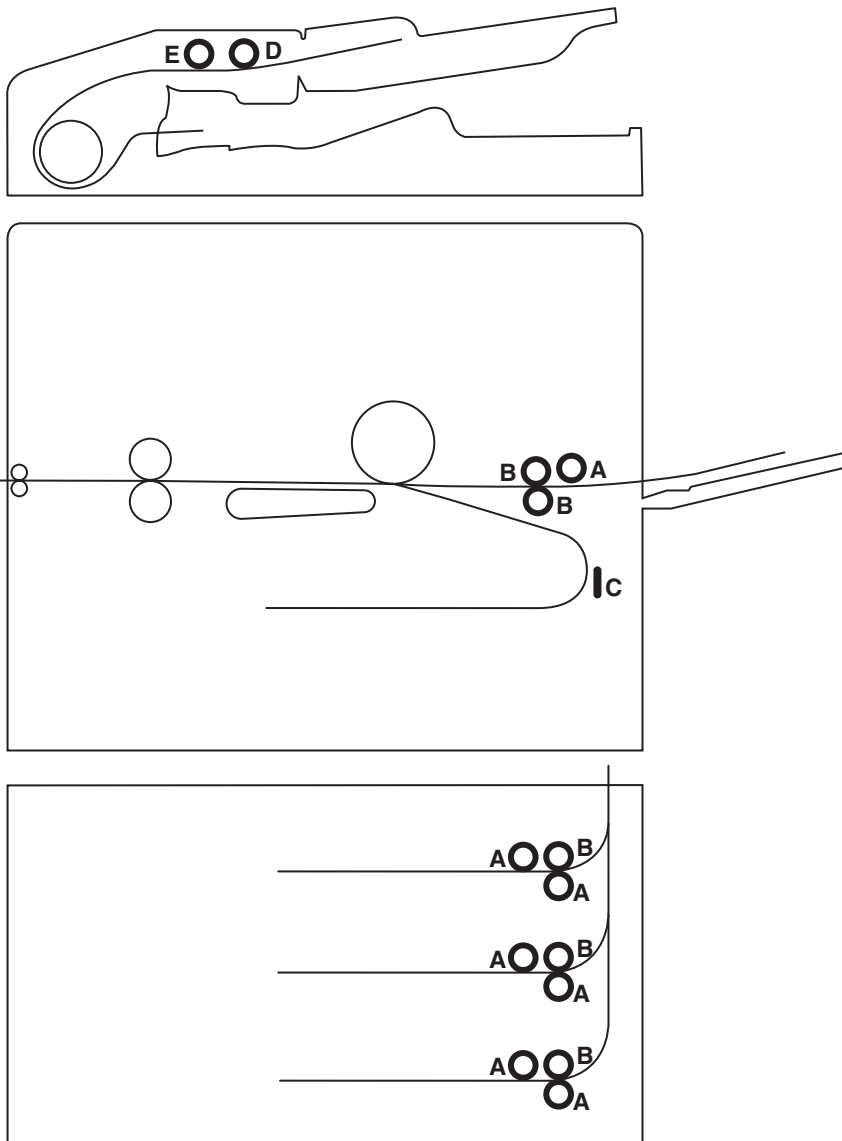
Konica Minolta 7022

	Description	OEM PN	Katun PN
A	Double Feed Prevention Tire	26NA40110	22793
B	Double Feed Prevention Tire	26NA40120	22794
C	Feed Tire	26NA40090	22792
D	Pickup Tire	25BA40320	18142
E	Feed Tire	540040562	15378



Konica Minolta 7040 (with DB-208, DB-608, DF-311)

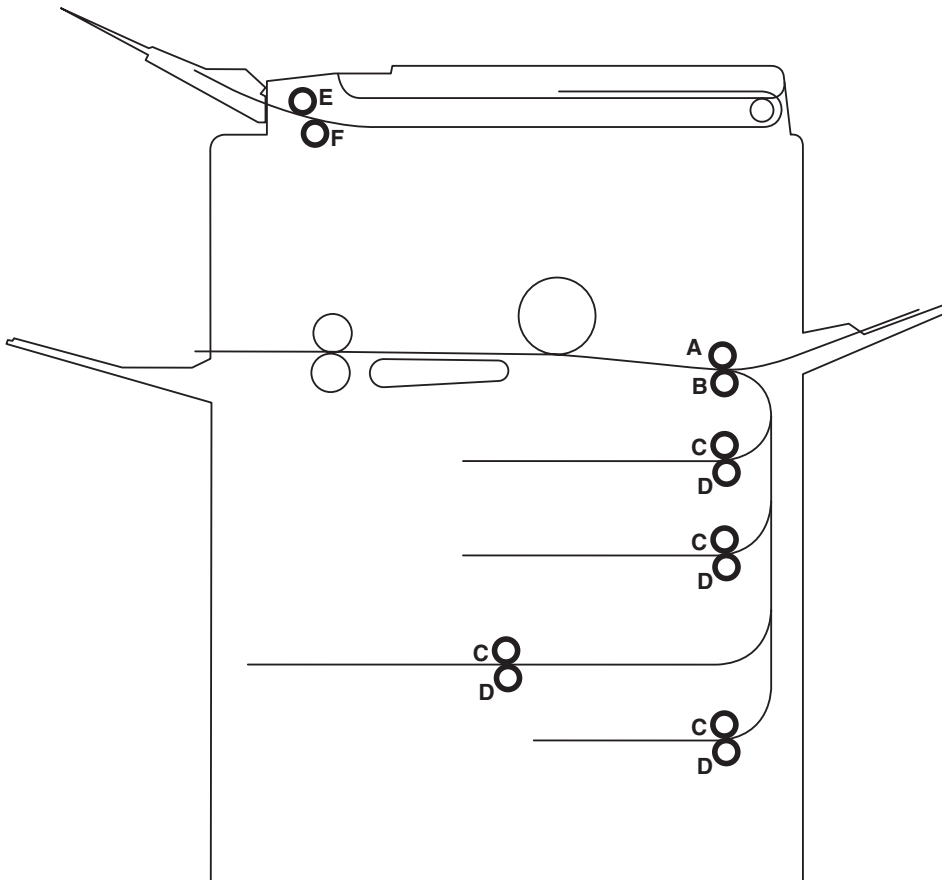
	Description	OEM PN	Katun PN
A	Pickup Tire	25BA40320	18142
B	Feed Tire	540040562	15378
C	Feed Guide Plate (Upper)	40AA40132	21718
D	Separation Pad Assembly	120A-4580	24521
E	Pickup/Feed Roller (with hub assembly)	120A45820	21614



Konica Minolta 7050 (with DF-306)

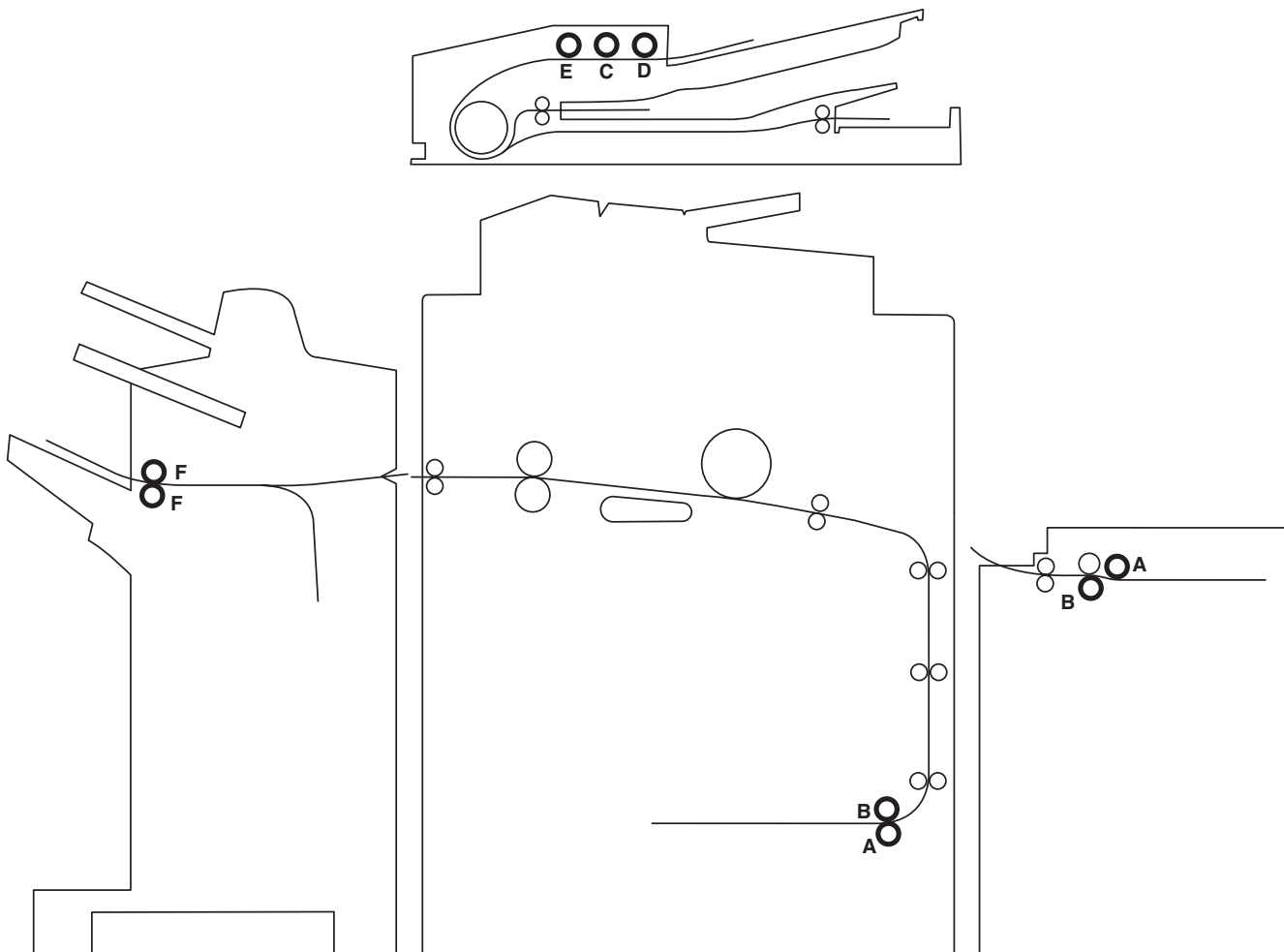
Description	OEM PN	Katun PN
-------------	--------	----------

A Pickup Tire	25BA40320	18142
B Double Feed Prevention Roller	5400-4301	9202
B Feed Tire	540040562	15378
C Feed Tire	25AA40011	16268
D Double Feed Prevention Tire	25SA40960	16677
E Original Feed Tire	12ER40341	13142
F Double Feed Prevention Roller	12ER40313	9202



Konica Minolta 7075 (with DF-313, EDH-2, LT-401/411, C-305, FN-4/104, FS-108)

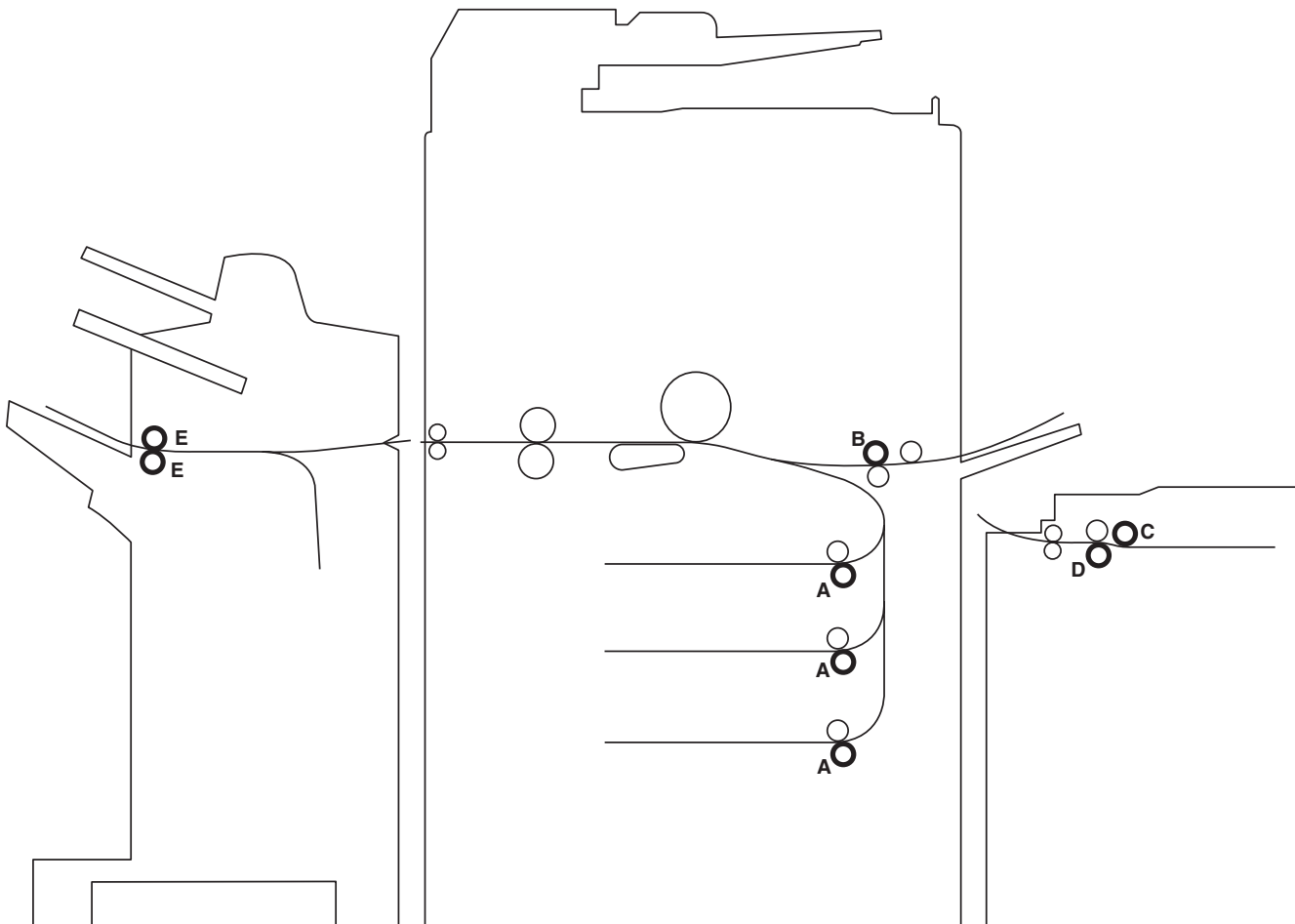
	Description	OEM PN	Katun PN
A	Feed/Double Feed Prevention Roller Assy	55VA-4830	19940
B	Feed Roller Assembly (with hub assembly)	55VA-4840	19941
C	Auxiliary Pickup Roller	4014-1443-01	23395
D	Original Pickup Roller	4014-1446-01	23396
E	Original Feed Roller	4014-1447-01	23397
F	Exit Roller	122H48251	22977



Katun feed components are sold "tire only" unless otherwise noted.

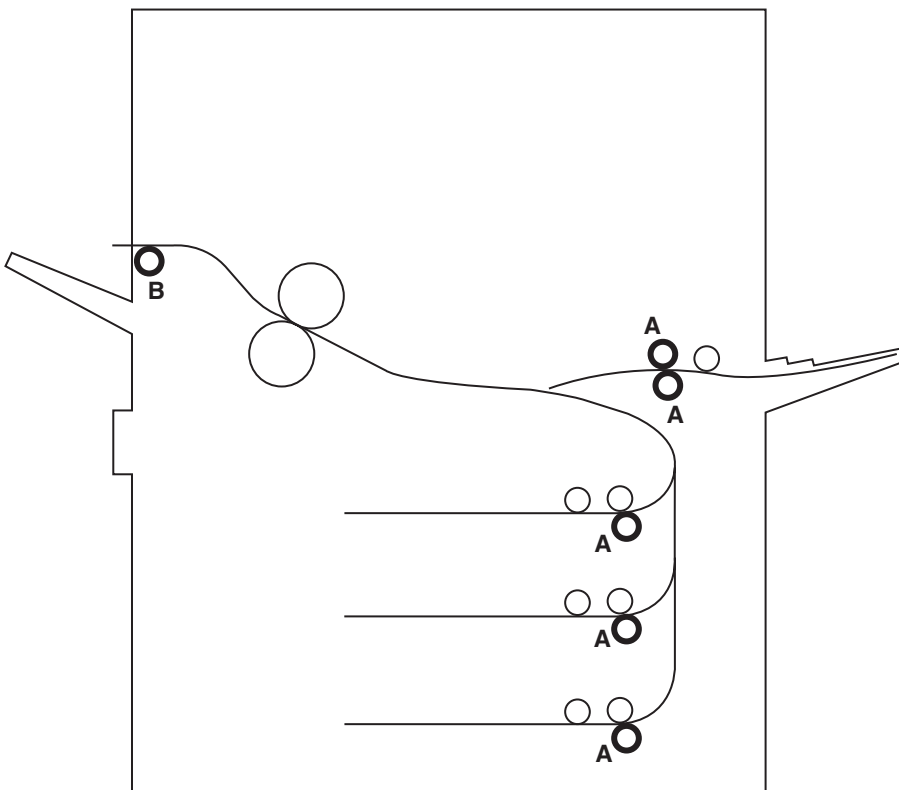
Konica Minolta 7155 (with C-403/404, LT-402/412, FN-6/112/113, FS-110/210)

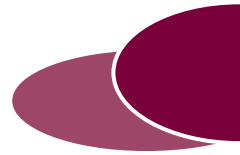
	Description	OEM PN	Katun PN
A	Double Feed Prevention Tire	25SA40960	16677
A	Reverse Roller Assembly (with hub assembly)	56AA-4080	27039
B	Feed Tire	540040562	15378
B	Feed Roller Assembly (with hub assembly)	56AA-4690	27040
C	Feed/Double Feed Prevention Roller Assy	55VA-4830	19940
D	Feed Roller Assembly (with hub assembly)	55VA-4840	19941
E	Exit Roller	122H48251	22977



Konica Minolta ColorFORCE 8050 Bizhub PRO C 500

	Description	OEM PN	Katun PN
A	Double Feed Prevention Tire	25SA40960	16677
A	Reverse Roller Assembly (with hub assembly)	56AA-4080	27039
B	Exit Roller (with shaft)	65AA49050	30349



**Katun Corporation**

Toll-Free Phone: 1-800-328-2965

Katun Canada Inc.

Toll-Free Phone: 1-800-634-5344

Katun U.K. Ltd.

Freephone: 0800-289753

Katun Benelux B.V.

Telephone: 31 (0) 183-696969

Katun Germany GmbH

Telefon: 02131/34 46-0

Katun France S.A.R.L.

Numéro Vert: 0800-909-555

Katun Italy s.r.l.

Telefono: +39-02-414-99-71

Katun Spain S.A.

Teléfono: 91-676-45-51

Katun Portugal S.A.

Telefone: 21-499 8960

Katun Sweden AB

Telefon: +46 0300-515-50

Katun Mexico S.A. de C.V.

Llame sin costo al: 01-800-112-5886

Katun Singapore Pte Ltd

Telephone: (65) 6788-3350

Katun Argentina s.r.l.

Teléfono: 54 (11) 4103-9200

Katun Brasil Ltda.

Telefone: (5511) 3647-3270

Katun (Australia) Corporation Pty Limited

Telephone: 1800 998 826

For the most current feed component cross-reference information, visit

www.katun.com/resourcecenter/feedcompguide.html