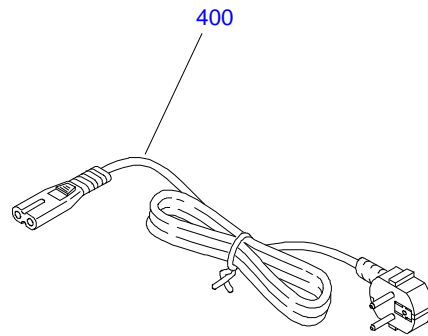
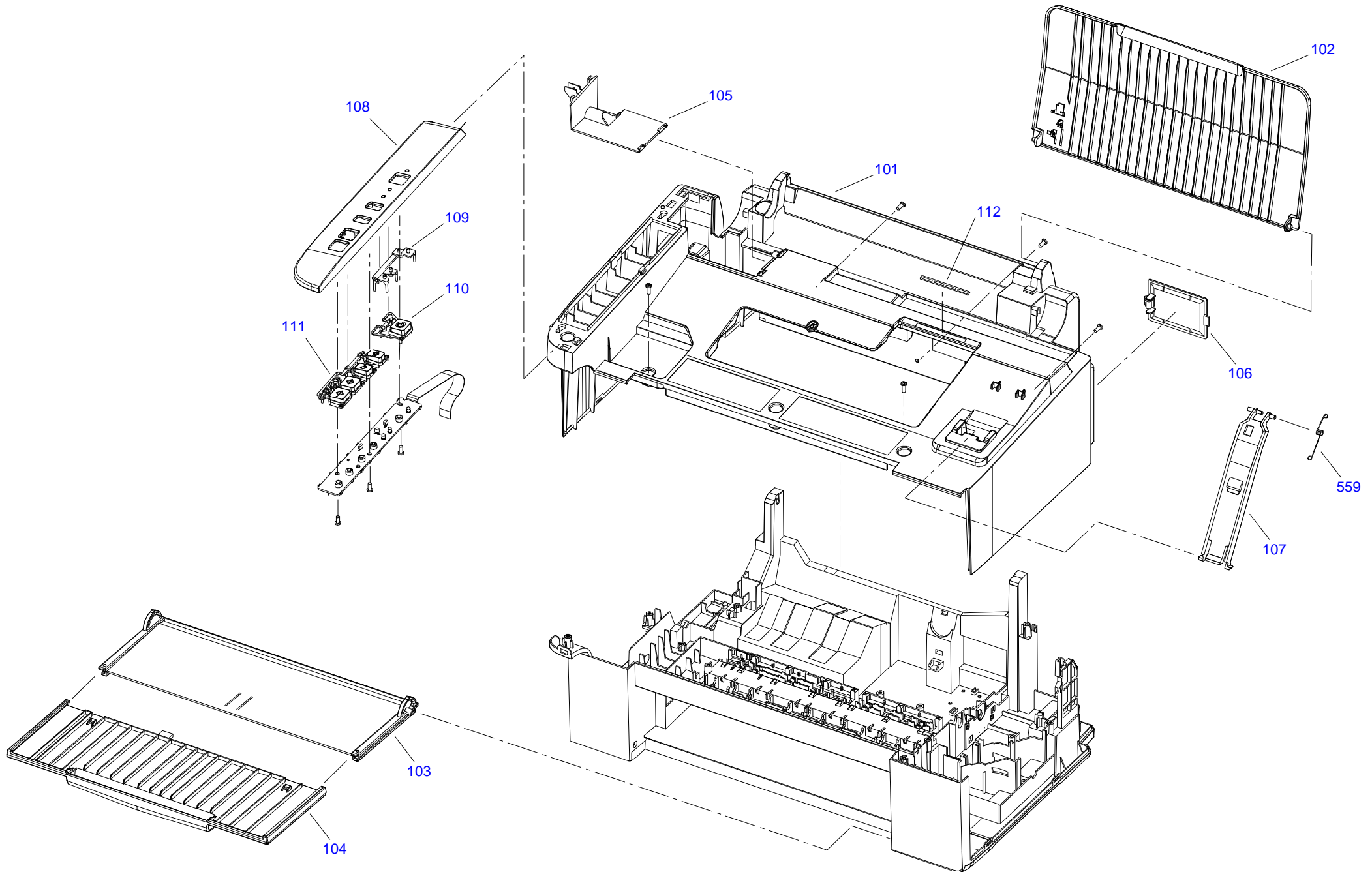


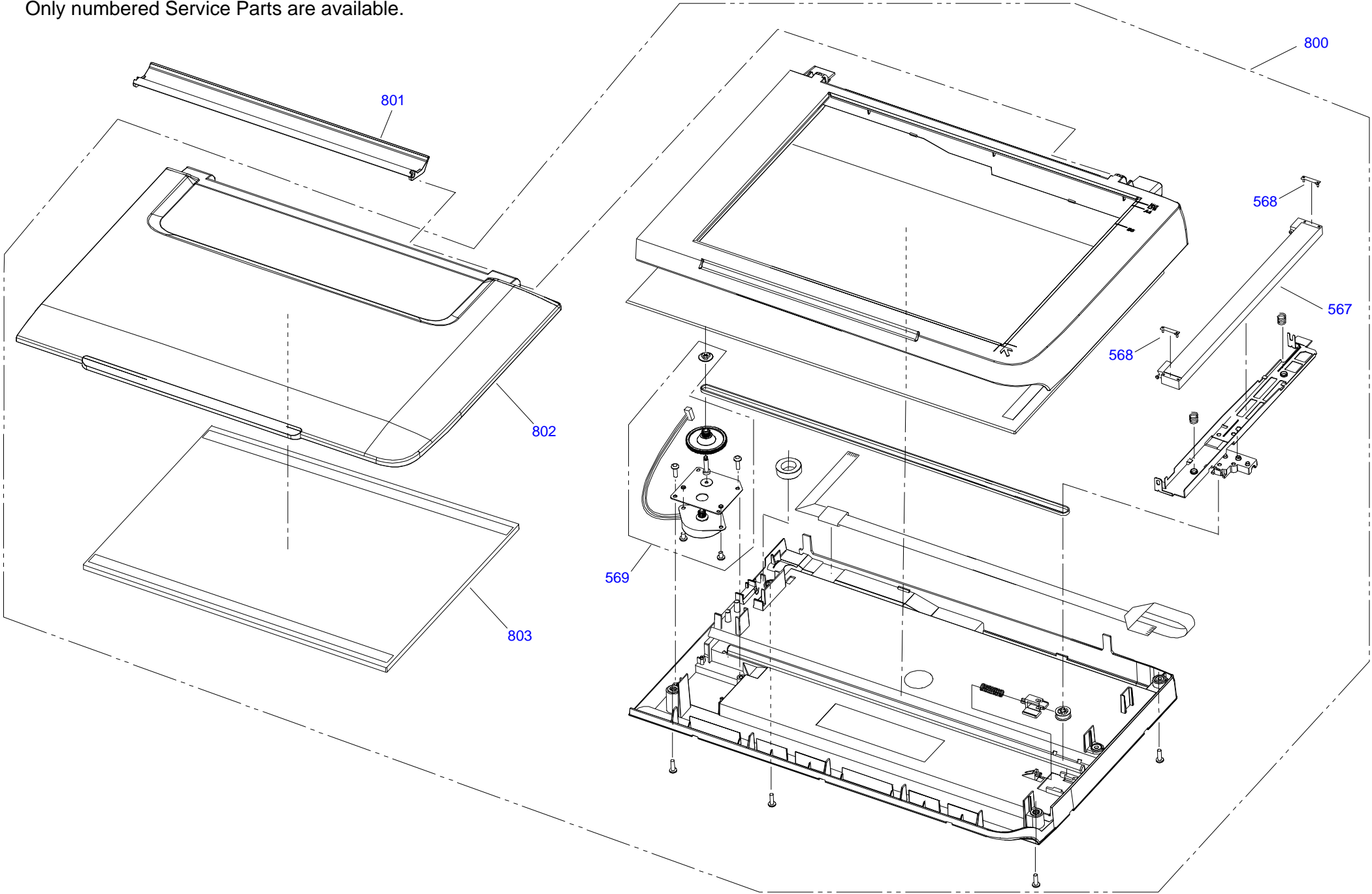
Only numbered Service Parts are available



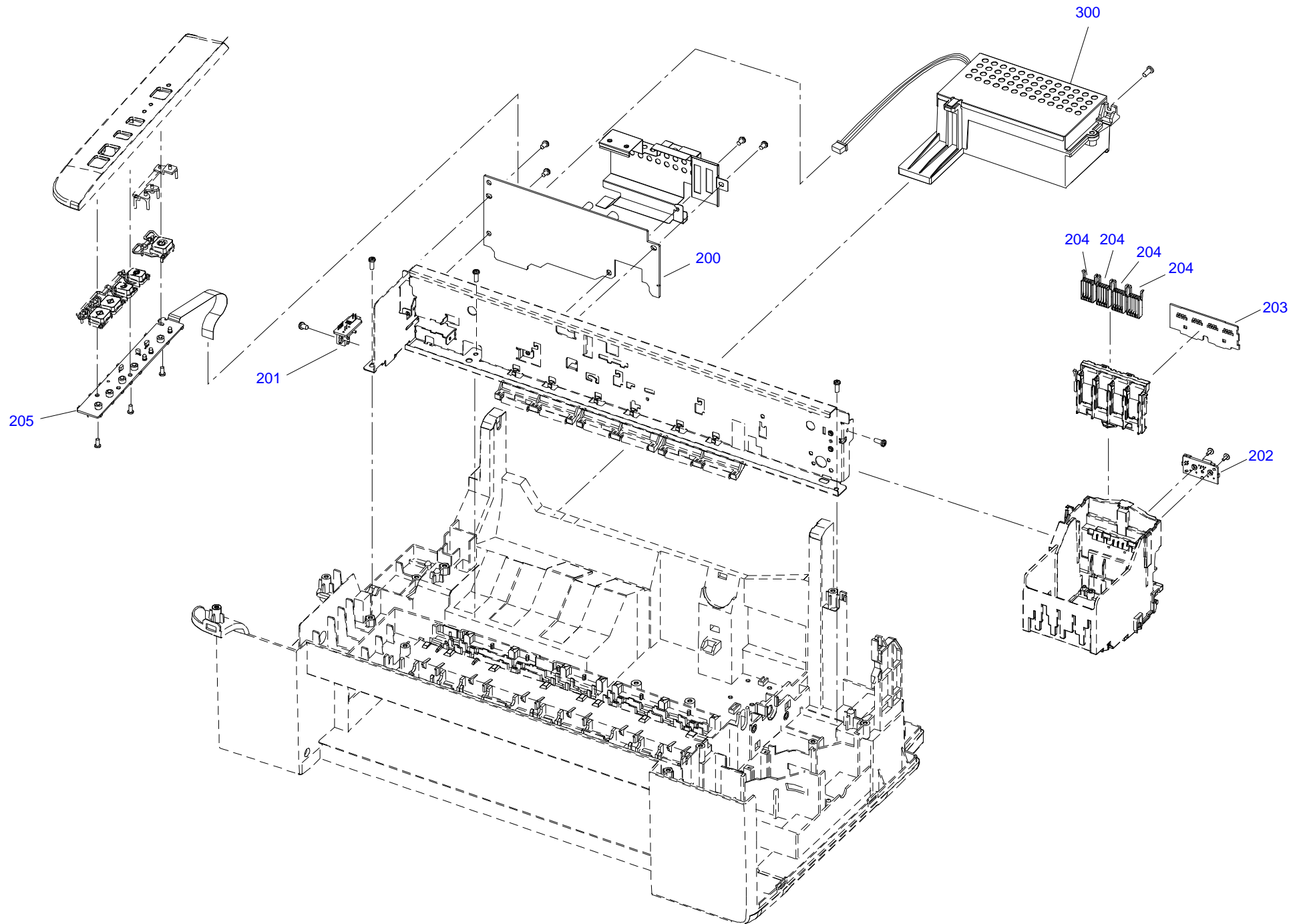
Only numbered Service Parts are available.



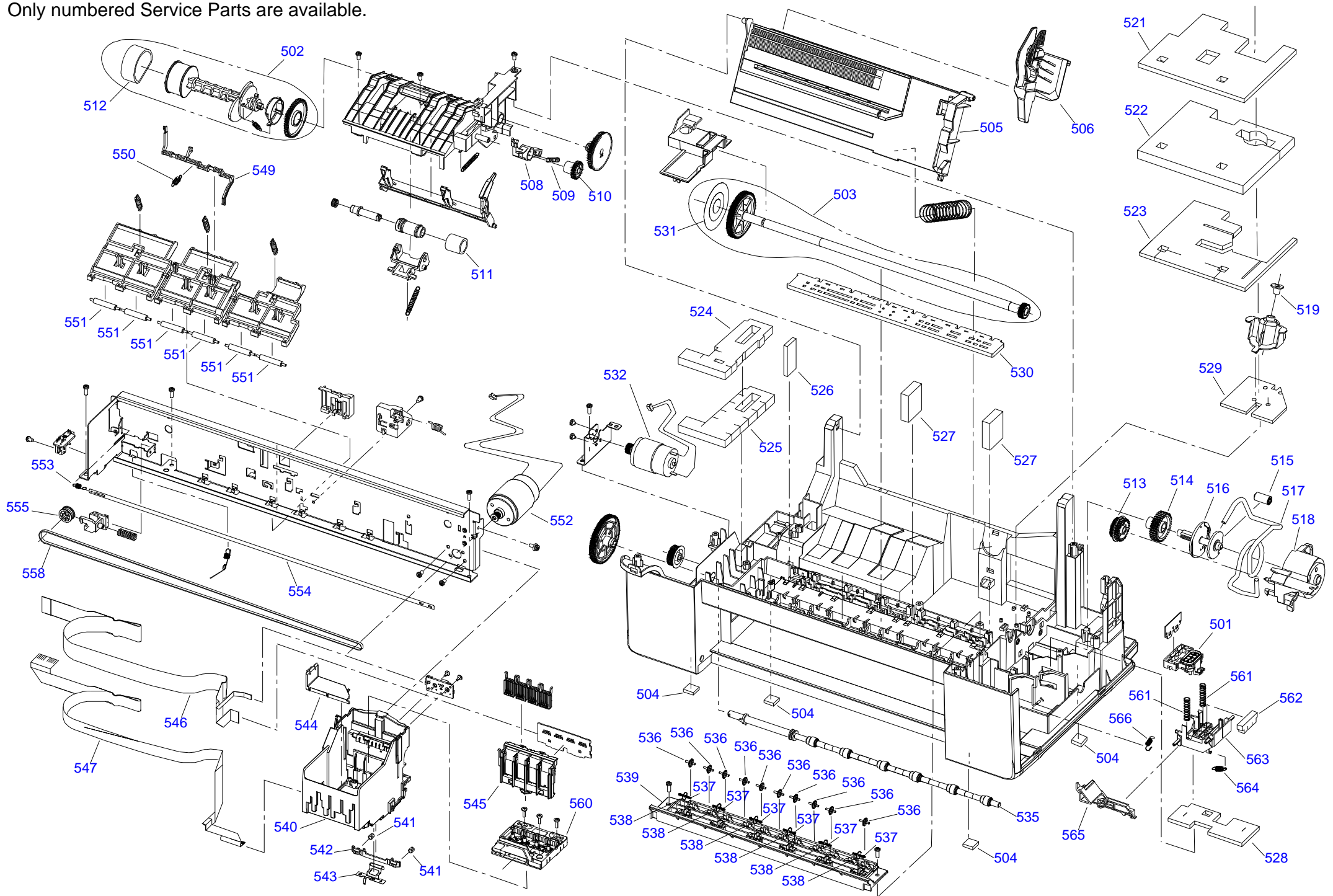
Only numbered Service Parts are available.



Only numbered Service Parts are available.



Only numbered Service Parts are available.



| Part Code      | Part Name                               | Ref No.        | Category         | Qty | Remark |
|----------------|---|----------------|------------------|-----|--------|
| <b>2124022</b> | POWER CABLE VD                          | <b>400</b>     | Accessories      | 1   |        |
| <b>1471120</b> | INK CART.UNBOXED,BK-SS,PIG'T;H28F,EC,AS | <b>NON FIG</b> | Accessories      | 1   |        |
| <b>1471121</b> | INK CART.UNBOXED,C-SSS,PIG'T;H28F,EC,AS | <b>NON FIG</b> | Accessories      | 1   |        |
| <b>1471122</b> | INK CART.UNBOXED,M-SSS,PIG'T;H28F,EC,AS | <b>NON FIG</b> | Accessories      | 1   |        |
| <b>1471124</b> | INK CART.UNBOXED,Y-SSS,PIG'T;H28F,EC,AS | <b>NON FIG</b> | Accessories      | 1   |        |
| <b>3104412</b> | SOFTWARE CD,HOME                        | <b>NON FIG</b> | Accessories      | 1   |        |
| <b>4115856</b> | SETTING UP MANUAL                       | <b>NON FIG</b> | Accessories      | 1   |        |
| <b>4115859</b> | USER'S GUIDE                            | <b>NON FIG</b> | Accessories      | 1   |        |
| <b>1513148</b> | CASE MIDDLE2(B)                         | <b>101</b>     | Case             | 1   |        |
| <b>1497002</b> | TRAY SUPPORT PAPER (B)                  | <b>102</b>     | Case             | 1   |        |
| <b>1513149</b> | TRAY EXIT OUTER2(B)                     | <b>103</b>     | Case             | 1   |        |
| <b>1513150</b> | TRAY EXIT INNER2(B)                     | <b>104</b>     | Case             | 1   |        |
| <b>1513151</b> | COVER WIRE2(B)                          | <b>105</b>     | Case             | 1   |        |
| <b>1513152</b> | COVER INK TUBE2(B)                      | <b>106</b>     | Case             | 1   |        |
| <b>1497117</b> | STAND SCANNER                           | <b>107</b>     | Case             | 1   |        |
| <b>1513153</b> | COVER PANEL2                            | <b>108</b>     | Case             | 1   |        |
| <b>1513196</b> | LENS LED2                               | <b>109</b>     | Case             | 1   |        |
| <b>1513193</b> | BUTTON POWER2(For B)                    | <b>110</b>     | Case             | 1   |        |
| <b>1513191</b> | BUTTON OP2(For B)                       | <b>111</b>     | Case             | 1   |        |
| <b>1513195</b> | LABEL INK                               | <b>112</b>     | Case             | 1   |        |
| <b>1513206</b> | SCANNER UNIT2(BLACK)                    | <b>800</b>     | Case             | 1   |        |
| <b>1497116</b> | COVER ASF                               | <b>801</b>     | Case             | 1   |        |
| <b>1513208</b> | COVER DOCUMENT2(B)                      | <b>802</b>     | Case             | 1   |        |
| <b>1497115</b> | PAD DOCUMENT                            | <b>803</b>     | Case             | 1   |        |
| <b>2126842</b> | MAIN PCB2 ASSY                          | <b>200</b>     | Electronic Parts | 1   |        |
| <b>2126843</b> | FEED ENCODER PCB2 ASSY                  | <b>201</b>     | Electronic Parts | 1   |        |
| <b>2126844</b> | CR ENCODER PCB2 ASSY                    | <b>202</b>     | Electronic Parts | 1   |        |
| <b>2126070</b> | CR CONTACT MODULE                       | <b>203</b>     | Electronic Parts | 1   |        |
| <b>2109629</b> | CONNECTOR,CSIC;B                        | <b>204</b>     | Electronic Parts | 4   |        |
| <b>2126845</b> | OP-PANEL PCB2 ASSY                      | <b>205</b>     | Electronic Parts | 1   |        |
| <b>1517060</b> | CAP ASSY.,CA46;B                        | <b>501</b>     | Mechanism Parts  | 1   |        |
| <b>1497000</b> | ASF SHAFT UNIT                          | <b>502</b>     | Mechanism Parts  | 1   |        |
| <b>1497001</b> | ROLLER FEED UNIT                        | <b>503</b>     | Mechanism Parts  | 1   |        |
| <b>1497019</b> | FOOT                                    | <b>504</b>     | Mechanism Parts  | 4   |        |
| <b>1497020</b> | TRAY ASF                                | <b>505</b>     | Mechanism Parts  | 1   |        |
| <b>1497021</b> | GUIDE EDGE PAPER                        | <b>506</b>     | Mechanism Parts  | 1   |        |
| <b>1497047</b> | LEVER PICK CLUTCH                       | <b>508</b>     | Mechanism Parts  | 1   |        |
| <b>1497048</b> | SPRING LEVER CLUTCH                     | <b>509</b>     | Mechanism Parts  | 1   |        |
| <b>1497049</b> | GEAR IDLE LEVER                         | <b>510</b>     | Mechanism Parts  | 1   |        |
| <b>1497050</b> | TIRE SEPARATOR                          | <b>511</b>     | Mechanism Parts  | 1   |        |
| <b>1497051</b> | TIRE PICK                               | <b>512</b>     | Mechanism Parts  | 1   |        |
| <b>1497052</b> | GEAR PUMP IDLE                          | <b>513</b>     | Mechanism Parts  | 1   |        |
| <b>1497053</b> | GEAR PUMP                               | <b>514</b>     | Mechanism Parts  | 1   |        |
| <b>1497054</b> | ROLLER PUMP                             | <b>515</b>     | Mechanism Parts  | 1   |        |
| <b>1497055</b> | BRACKET PUMP                            | <b>516</b>     | Mechanism Parts  | 1   |        |
| <b>1436919</b> | TUBE,PUMP                               | <b>517</b>     | Mechanism Parts  | 1   |        |
| <b>1497058</b> | HOUSING PUMP                            | <b>518</b>     | Mechanism Parts  | 1   |        |
| <b>1497057</b> | HOLDER TUBE                             | <b>519</b>     | Mechanism Parts  | 1   |        |

|                |                            |            |                 |    |
|----------------|----------------------------|------------|-----------------|----|
| <b>1497065</b> | FELT MIDDLE UPPER          | <b>521</b> | Mechanism Parts | 1  |
| <b>1513197</b> | FELT MIDDLE CENTER2        | <b>522</b> | Mechanism Parts | 1  |
| <b>1513198</b> | FELT MIDDLE LOWER2         | <b>523</b> | Mechanism Parts | 1  |
| <b>1513199</b> | FELT LEFT UPPER2           | <b>524</b> | Mechanism Parts | 1  |
| <b>1513200</b> | FELT LEFT LOWER2           | <b>525</b> | Mechanism Parts | 1  |
| <b>1497073</b> | FELT BOTTOM SIDE           | <b>526</b> | Mechanism Parts | 1  |
| <b>1513201</b> | FELT BOTTOM CARRIAGE2      | <b>527</b> | Mechanism Parts | 2  |
| <b>1497075</b> | FELT RIGHT                 | <b>528</b> | Mechanism Parts | 1  |
| <b>1513202</b> | FOAM TUBE END ASSY2        | <b>529</b> | Mechanism Parts | 1  |
| <b>1513203</b> | FOAM BOTTOM CARRIAGE ASSY2 | <b>530</b> | Mechanism Parts | 1  |
| <b>1497078</b> | ENCODER DISC P             | <b>531</b> | Mechanism Parts | 1  |
| <b>1497080</b> | MOTOR FEED                 | <b>532</b> | Mechanism Parts | 1  |
| <b>1497083</b> | ROLLER EXIT B              | <b>535</b> | Mechanism Parts | 1  |
| <b>1497084</b> | WHEEL STAR EXIT            | <b>536</b> | Mechanism Parts | 10 |
| <b>1497085</b> | SPRING STAR WHEEL          | <b>537</b> | Mechanism Parts | 6  |
| <b>1497086</b> | WHEEL STAR METAL           | <b>538</b> | Mechanism Parts | 6  |
| <b>1497087</b> | HOUSING EXIT               | <b>539</b> | Mechanism Parts | 1  |
| <b>1497088</b> | CARRIER                    | <b>540</b> | Mechanism Parts | 1  |
| <b>1497092</b> | SPRING CARRIER GUIDE       | <b>541</b> | Mechanism Parts | 2  |
| <b>1497093</b> | GUIDE CARRIER              | <b>542</b> | Mechanism Parts | 1  |
| <b>1497094</b> | PLATE GROUND HEAD          | <b>543</b> | Mechanism Parts | 1  |
| <b>1497095</b> | COVER FFC                  | <b>544</b> | Mechanism Parts | 1  |
| <b>1497098</b> | HOLDER CONTACT             | <b>545</b> | Mechanism Parts | 1  |
| <b>1497100</b> | FFC CARRIER 17pin          | <b>546</b> | Mechanism Parts | 1  |
| <b>1497101</b> | FFC CARRIER 21pin          | <b>547</b> | Mechanism Parts | 1  |
| <b>1497103</b> | FLAG FEED SENSOR           | <b>549</b> | Mechanism Parts | 1  |
| <b>1497104</b> | SPRING FEED SENSOR         | <b>550</b> | Mechanism Parts | 1  |
| <b>1497105</b> | ROLLER FEED PINCH          | <b>551</b> | Mechanism Parts | 6  |
| <b>1497106</b> | MOTOR CARRIER              | <b>552</b> | Mechanism Parts | 1  |
| <b>1497107</b> | SPRING ENCORDER            | <b>553</b> | Mechanism Parts | 1  |
| <b>1497108</b> | ENCORDER CARRIER           | <b>554</b> | Mechanism Parts | 1  |
| <b>1497109</b> | PULLY BELT TENSION         | <b>555</b> | Mechanism Parts | 1  |
| <b>1497112</b> | BELT CARRIAGE              | <b>558</b> | Mechanism Parts | 1  |
| <b>1497118</b> | SPRING STAND SCANNER       | <b>559</b> | Mechanism Parts | 1  |
| <b>F181010</b> | PRINT HEAD                 | <b>560</b> | Mechanism Parts | 1  |
| <b>1497059</b> | SPRING CLEANER CAP         | <b>561</b> | Mechanism Parts | 2  |
| <b>1497060</b> | FOAM CAP SIDE              | <b>562</b> | Mechanism Parts | 1  |
| <b>1497061</b> | CASE CLEANER               | <b>563</b> | Mechanism Parts | 1  |
| <b>1497062</b> | SPRING CLEANER CASE        | <b>564</b> | Mechanism Parts | 1  |
| <b>1497063</b> | LEVER CLEANER              | <b>565</b> | Mechanism Parts | 1  |
| <b>1497064</b> | SPRING CLEANER LEVER       | <b>566</b> | Mechanism Parts | 1  |
| <b>1511736</b> | CIS                        | <b>567</b> | Mechanism Parts | 1  |
| <b>1502606</b> | SPACER CIS                 | <b>568</b> | Mechanism Parts | 2  |
| <b>1513204</b> | SCANNER MOTOR ASSY         | <b>569</b> | Mechanism Parts | 1  |
| <b>2126477</b> | POWER UNIT(200V)           | <b>300</b> | Power Supply    | 1  |

| Part Code | Part Name | Ref No. | Category | Qty | Remark |
|-----------|-----------|---------|----------|-----|--------|
|-----------|-----------|---------|----------|-----|--------|