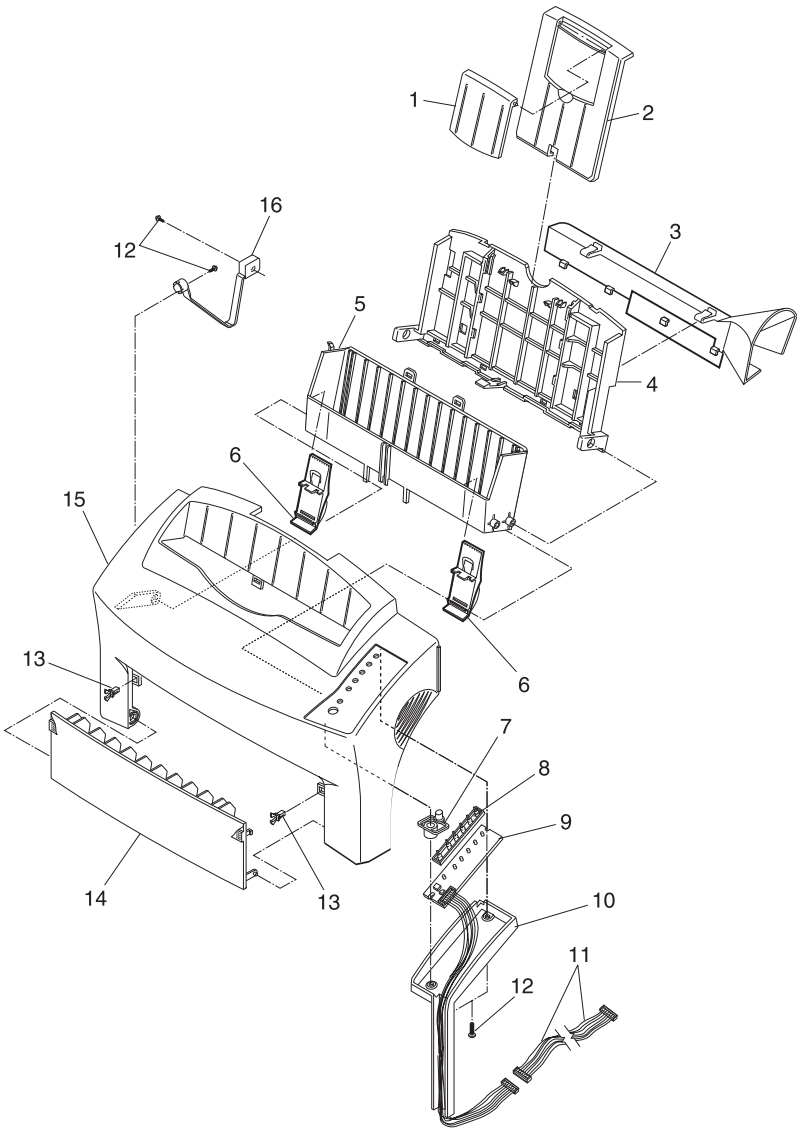
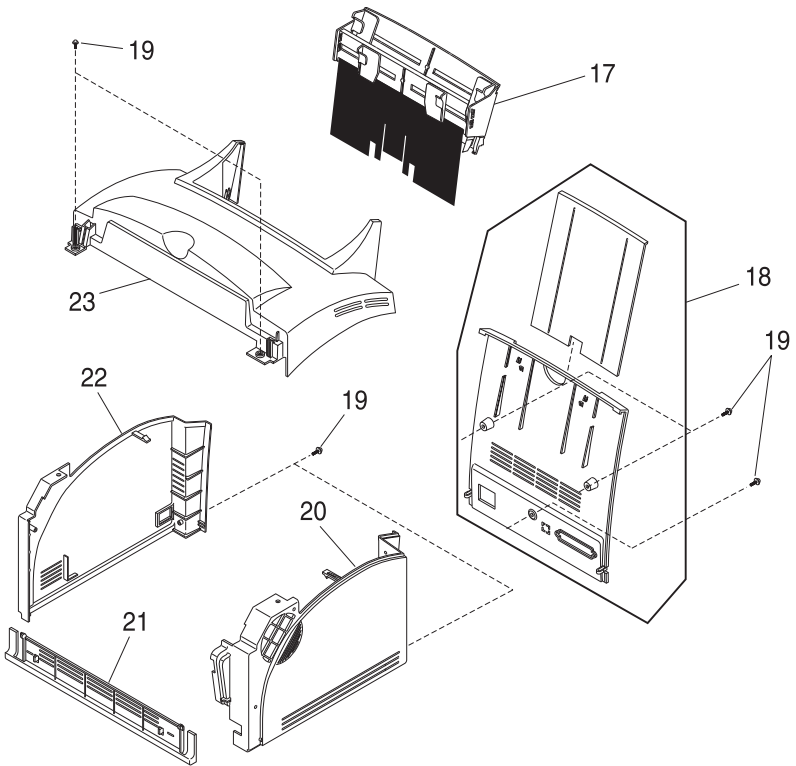


Assembly 1: Covers



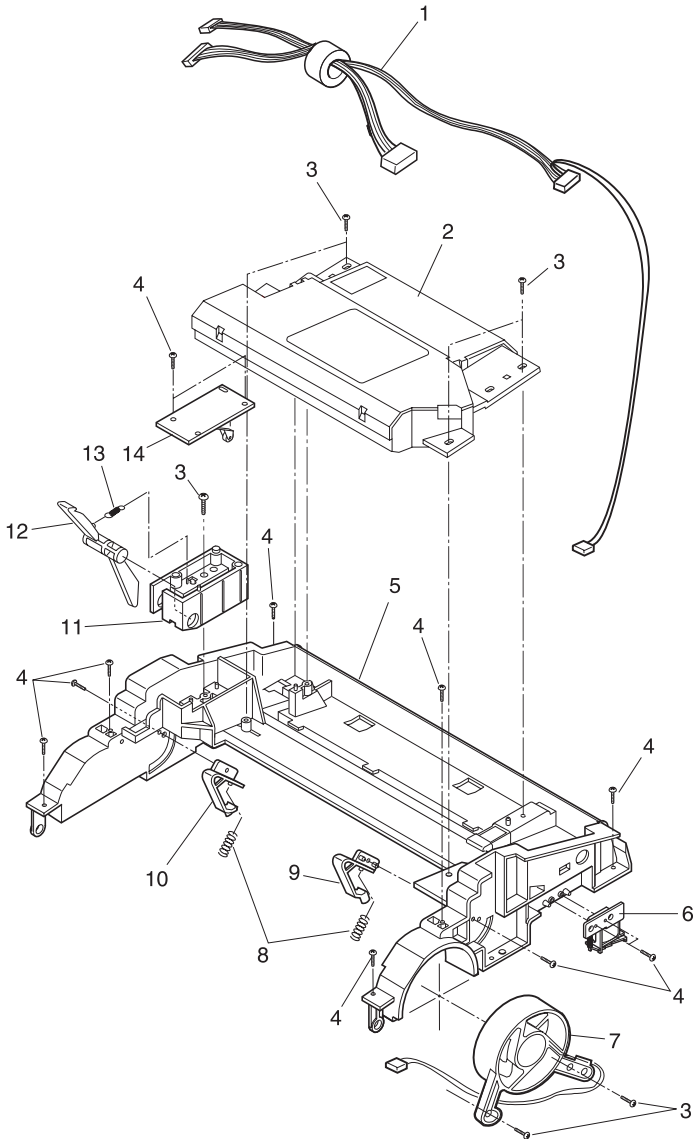
Asm-Index	Part Number	Units	Description
1-1	12G0021	1	Extender, Paper Support
1-2	12G0022	1	Support, Paper
1-3	12G0034	1	Plenum, Fuser Cooling Air
1-4	12G0023	1	Cover, Paper Stacker
1-5	12G0024	1	Stacker Assembly, Paper
1-6	12G0126	2	Guide, Paper Stacker
1-7	12G0030	1	Button, Operator Panel
1-8	12G0031	1	Lens, Operator Panel
1-9	12G0032	1	Panel, Operator
1-10	12G0028	1	Cover, Op Panel Cable
1-11	12G0027	1	Cable Asm, Operator Panel
1-12		4	Screw, Type 1 PP 12G0101
1-13	12G0181	2	Latch, Front Exit
1-14	12G0029	1	Tray, Front Exit
1-15	12G0026	1	Cover, Front w/English Overlay
1-16	12G0025	1	Support, Open Cover
NS	12G0112	1	Packet, WT Op Panel Overlay

Assembly 1: Covers (continued)



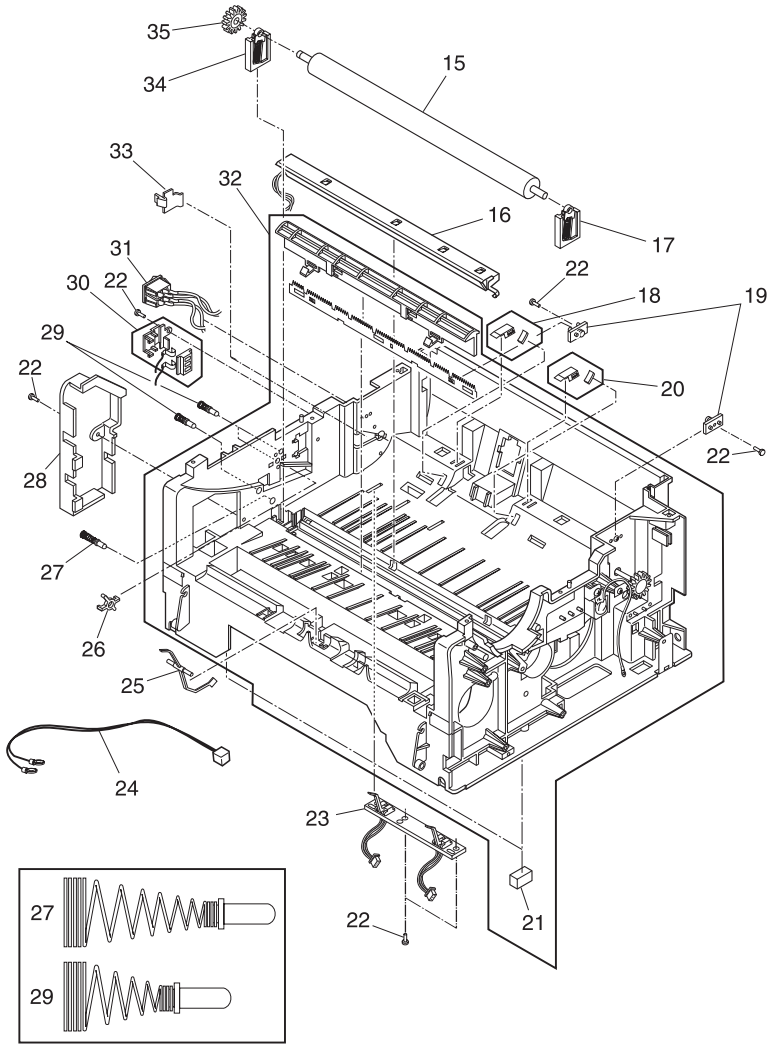
Asm-Index	Part Number	Units	Description
1-17	12G0035	1	Tray Asm, Paper
1-18	12G0098	1	Cover Asm, Rear
1-19		7	Screw, Type 1 PP 12G0101
1-20	12G0039	1	Cover, Right Side
1-21	12G0037	1	Cover, Lower Front
1-22	12G0040	1	Cover, Left Side
1-23	12G0041	1	Cover, Top

Assembly 2: Frame



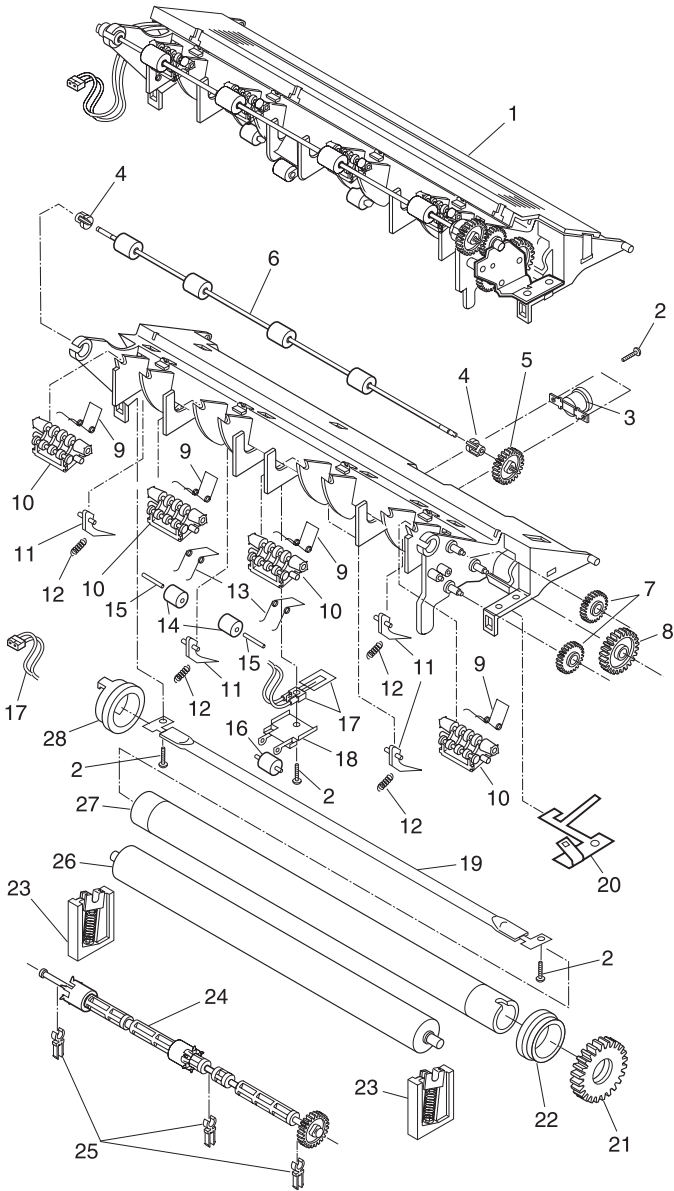
Asm-Index	Part Number	Units	Description
2-1	12G0099	1	Cable Asm, Printhead to HVPS
2-2	12G0046	1	Printhead Assembly
2-3		6	Screw, Type 2 PP 12G0101
2-4		13	Screw, Type 3 PP 12G0101
2-5	12G0125	1	Frame, Upper
2-6	12G0047	1	Solenoid, Pick Roller Clutch
2-7	12G0128	1	Fan, Cooling
2-8	12G0059	2	Spring, Print Cartridge Lock
2-9	12G0155	1	Lock, Print Cartridge, Right
2-10	12G0154	1	Lock, Print Cartridge, Left
2-11	12G0152	1	Housing, Cover Open Sensor
2-12	12G0060	1	Lever, Cover Open Sensor
2-13	12G0153	1	Spring, Cover Open Sensor
2-14	12G0045	1	Board Asm, Cover Open Sensor

Assembly 2: Frame (continued)



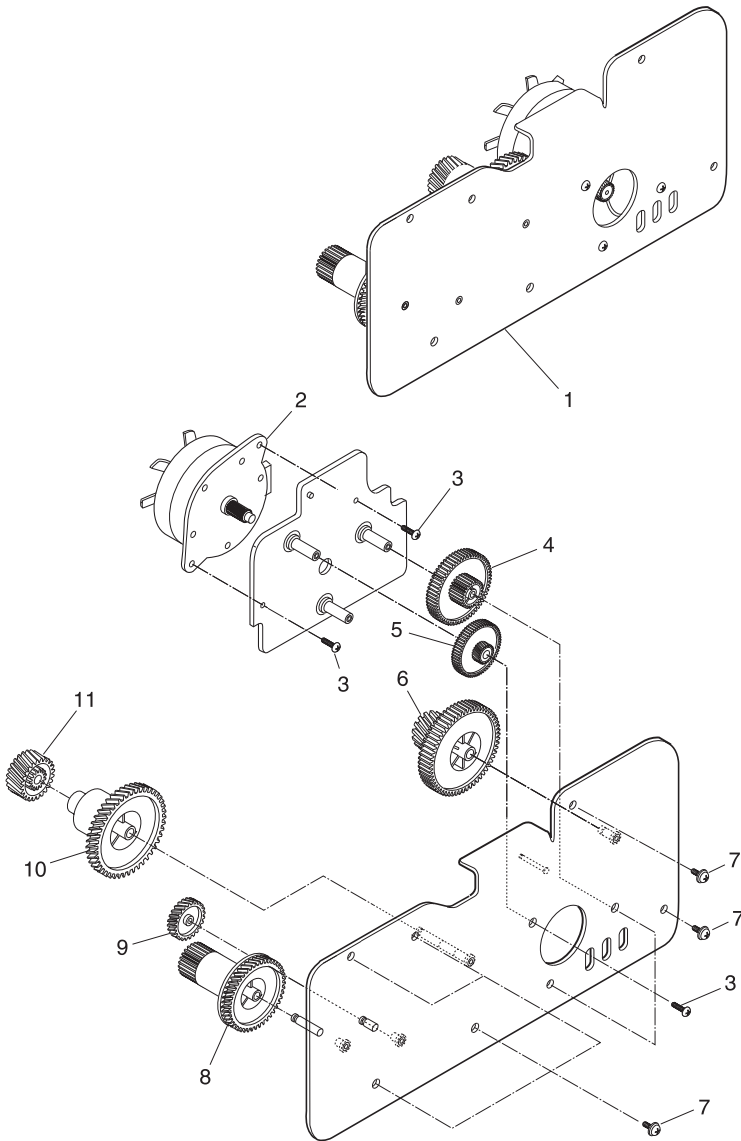
Asm-Index	Part Number	Units	Description
2-15	12G0048	1	Roller, Transfer
2-16	12G0057	1	LED Asm, Pre-Transfer
2-17	12G0049	1	Bearing Asm, Transfer Roller Right
2-18	12G0119	1	Pad Asm, Friction Left
2-19	12G0127	2	Post, Separator Asm Spring
2-20	12G0120	1	Pad Asm, Friction Right
2-21	12G0106	2	Foot, Rubber
2-22		6	Screw, Type 3 PP 12G0101
2-23	12G0050	1	Sensor Asm, Input Paper Feed/Size
2-24	12G0113	1	Cable Asm, Fuser Lamp
2-25	12G0051	1	Flag, Paper Exit Sensor
2-26	12G0109	1	Guide, HV Contact
2-27	12G0052	1	Contact Asm, HV-Transfer Roller
2-28	12G0061	1	Cover, Fuser Lamp Wiring
2-29	12G0053	3	Contact Asm, HV-Main
2-30	12G0055	1	Contact Asm, Print Cartridge Fuse
2-31	12G0107	1	Cable Asm, Power Switch
2-32	12G0056	1	Frame Asm, Lower
2-33	12G0130	1	Cover, Pick Roller Access
2-34	12G0069	1	Bearing Asm, Transfer Roller Left
2-35	12G0058	1	Gear, Transfer Roller

Assembly 3: Fuser



Asm-Index	Part Number	Units	Description
3-1	12G0074	1	Fuser Assembly 110 V dc
3-1	12G0122	1	Fuser Assembly 220 V dc
3-2		7	Screw, Type 3 PP 12G0101
3-3	12G0075	1	Fuse, Thermal
3-4	12G0166	2	Bearing, Fuser Exit Roller
3-5	12G0167	1	Gear, Fuser Exit Roller
3-6	12G0165	1	Roller Asm, Fuser Exit/Redrive
3-7	12G0160	2	Gear, Redrive, Idler #2
3-8	12G0161	1	Gear, Redrive, Idler #1
3-9	12G0159	4	Spring, Redrive Roller
3-10	12G0123	4	Roller Asm, Redrive
3-11	12G0103	4	Finger, Detack
3-12	12G0157	4	Spring, Detack Finger
3-13	12G0158	2	Spring, Fuser Exit Roller
3-14	12G0171	2	Roller, Fuser Exit
3-15	12G0172	2	Shaft, Fuser Exit Roller
3-16	12G0156	1	Roller, Fuser Exit Center
3-17	12G0076	1	Thermistor, Hot Roll
3-18	12G0168	1	Holder, Fuser Exit Center Roller
3-19	12G0078	1	Lamp, Fuser, 110 V ac
3-19	12G0124	1	Lamp, Fuser, 220 V ac
3-20	12G0082	1	Plate, Hot Roll Ground
3-21	12G0081	1	Gear, Fuser Hot Roll
3-22	12G0080	1	Bearing, Right Hot Roll
3-23	12G0083	2	Bearing Asm, Backup Roll
3-24	12G0084	1	Roller Asm, Exit Paper Feed
3-25	12G0174	3	Bushing, Exit Paper Feed Roller
3-26	12G0086	1	Roller, Backup
3-27	12G0079	1	Hot Roll, Fuser
3-28	12G0077	1	Bearing, Left Hot Roll

Assembly 4: Main Drive

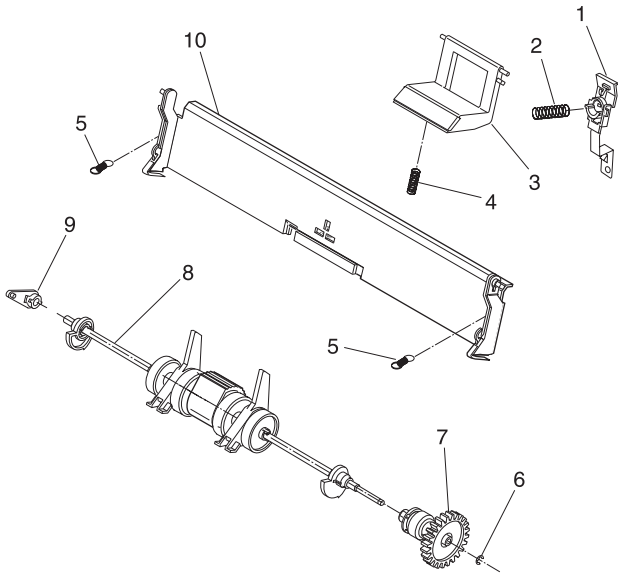


4044-001

Asm-Index	Part Number	Units	Description
4-1	12G0042	1	Main Drive Assembly
4-2	12G0044	1	Motor Asm, Main
4-3		5	Screw, Type 4 PP 12G0101
4-4		1	Gear, Drive Feed 1 PP 12G0102
4-5		1	Gear, Drive Feed 2 PP 12G0102
4-6		1	Gear, Input Paper Feed PP 12G0102
4-7		6	Screw, Type 3 PP 12G0101
4-8		1	Gear, Fuser Drive PP 12G0102
4-9		1	Gear, Idler PP 12G0102
4-10		1	Gear, OPC Drive 1 PP 12G0102
4-11		1	Gear, OPC Drive 2 PP 12G0102

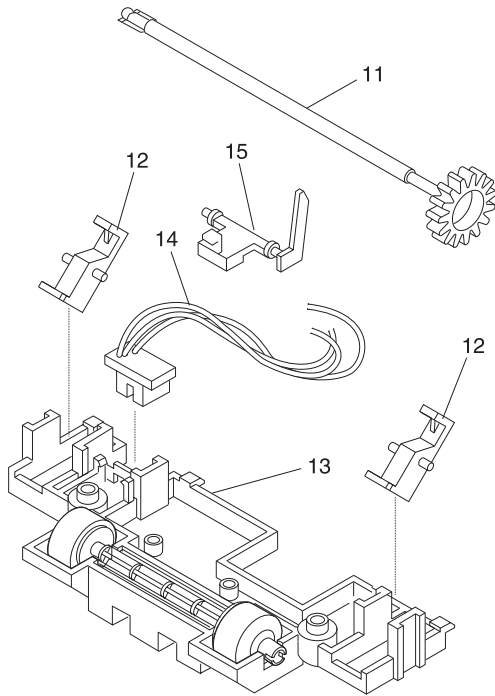
4044-001

Assembly 5: Paper Feed



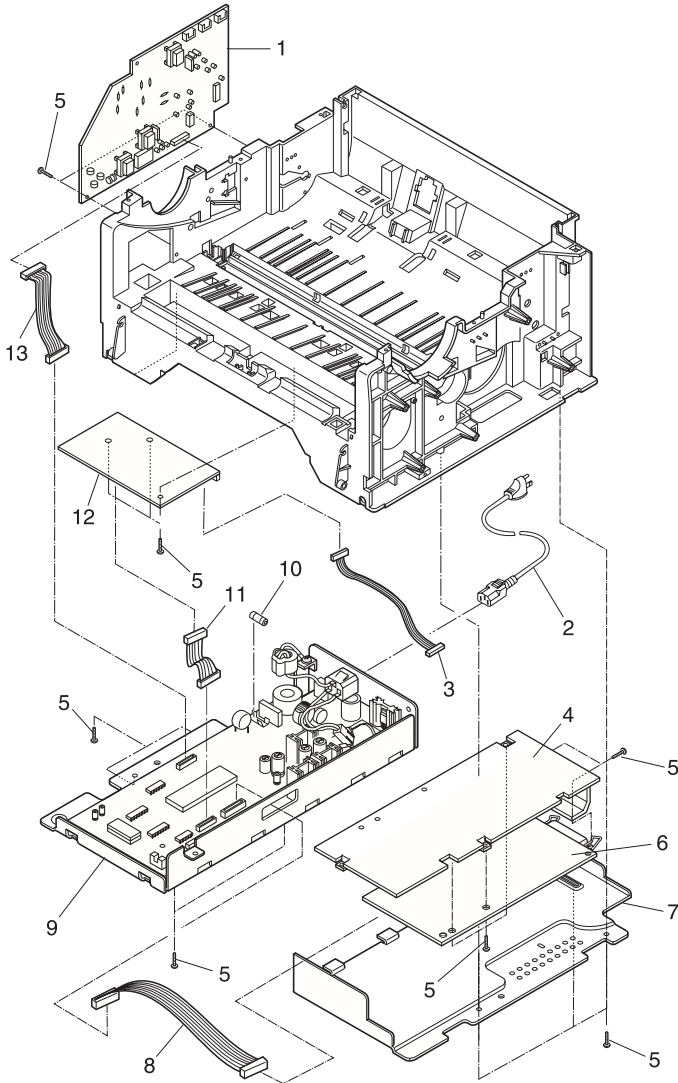
Asm-Index	Part Number	Units	Description
5-1	12G0063	1	Holder Asm, Spring
5-2	12G0068	1	Spring, Pad Asm, Rear
5-3	12G0062	1	Pad Asm, Pick Roller
5-4	12G0121	1	Spring, Pad Asm, Lower
5-5	12G0104	2	Spring, Separator Asm
5-6		1	Clip, E PP 12G0101
5-7	12G0065	1	Clutch Asm, Pick Roller
5-8	12G0067	1	Roller Asm, Pick
5-9	12G0066	1	Bearing, Left Pick Roller Shaft
5-10	12G0064	1	Separator Asm, Paper

Assembly 5: Paper Feed (continued)



Asm-Index	Part Number	Units	Description
5-11	12G0105	1	Shaft Asm, Input Paper Feed
5-12	12G0072	2	Separator, Secondary Paper
5-13	12G0070	1	Roller Asm, Input Paper Feed
5-14	12G0073	1	Sensor, Paper
5-15	12G0071	1	Flag, Paper Sensor

Assembly 6: Electronics



Asm-Index	Part Number	Units	Description
6-1	12G0087	1	Board Asm, HVPS
6-2	1339526	1	Power Cord, U.S., Canada, Brazil (HV)
6-2	1339517	1	Power Cord, Saudi Arabia
6-2	1339519	1	Power Cord, U.K., Ireland, Bahrain, Qatar, Oman, Jordan, Iraq, Kuwait, Yemen, Egypt, Sudan
6-2	1339520	1	Power Cord, Austria, Germany, Belgium, France, Netherlands, Norway, Spain, Spain-Catalan, Sweden, Finland, Turkey, Hungary, Greece, Czechoslovakia, Slovakia, Eastern Countries, Russia, Poland, Portugal
6-2	1339521	1	Power Cord, Israel
6-2	1339522	1	Power Cord, Switzerland
6-2	1339523	1	Power Cord, South Africa
6-2	1339525	1	Power Cord, Denmark
6-2	1342534	1	Power Cord, Chile
6-2	1342536	1	Power Cord, Argentina, Paraguay, Uruguay
6-3	12G0097	1	Cable Asm, Motor to Interconnect Board
6-4	12G0108	1	Bracket, Controller Board Mounting
6-5		14	Screw, Type 3 PP 12G0101
6-6	12G0094	1	Board Asm, Controller
6-7	12G0114	1	Panel, SIMM Access
6-8	12G0095	1	Cable Asm, Engine/LVPS Board to Controller Board
6-9	12G0089	1	Board Asm, Engine/ILVPS-110 V ac
6-9	12G0091	1	Board Asm, Engine/LVPS-220 V ac
6-10	12G0090	1	Fuse, Power Supply-110 V ac
6-10	12G0092	1	Fuse, Power Supply-220 V ac
6-11	12G0100	1	Cable Asm, Engine/LVPS Board to Interconnect Board
6-12	12G0088	1	Board Asm, Interconnect
6-13	12G0096	1	Cable Asm, Engine/LVPS to HVPS

Assembly 7: Options

Asm-Index	Part Number	Units	Description
7	99A0517	1	SIMM, 4MB DRAM Memory
7	99A0518	1	SIMM, 8MB DRAM Memory
7	99A0519	1	SIMM, 16MB DRAM Memory
7	99A0520	1	SIMM, 32MB DRAM Memory
7	99A0724	1	SIMM, 64MB DRAM Memory
7	99A0521	1	SIMM, 1 Meg Flash Memory
7	99A0522	1	SIMM, 2 Meg Flash Memory
7	99A0523	1	SIMM, 4 Meg Flash Memory
7	99A0545	1	Adapter, External Serial

Assembly 8: Miscellaneous

Asm-Index	Part Number	Units	Description
8		1	Parts Packet, Fasteners PP 12G0101
		3	o Screw, Type 1 (m3x10)
		2	o Screw, Type 2 (m4x10)
		6	o Screw, Type 3 (m3x10)
		2	o Screw, Type 4 (m3x6)
		1	o Clip, E
8		1	Parts Packet, Gears PP 12G0102
		1	o Gear, Drive Feed 1
		1	o Gear, Drive Feed 2
		1	o Gear, Input Paper Feed
		1	o Gear, OPC Drive 2
		1	o Gear, OPC Drive 1
		1	o Gear, Idler
		1	o Gear, Fuser Drive