

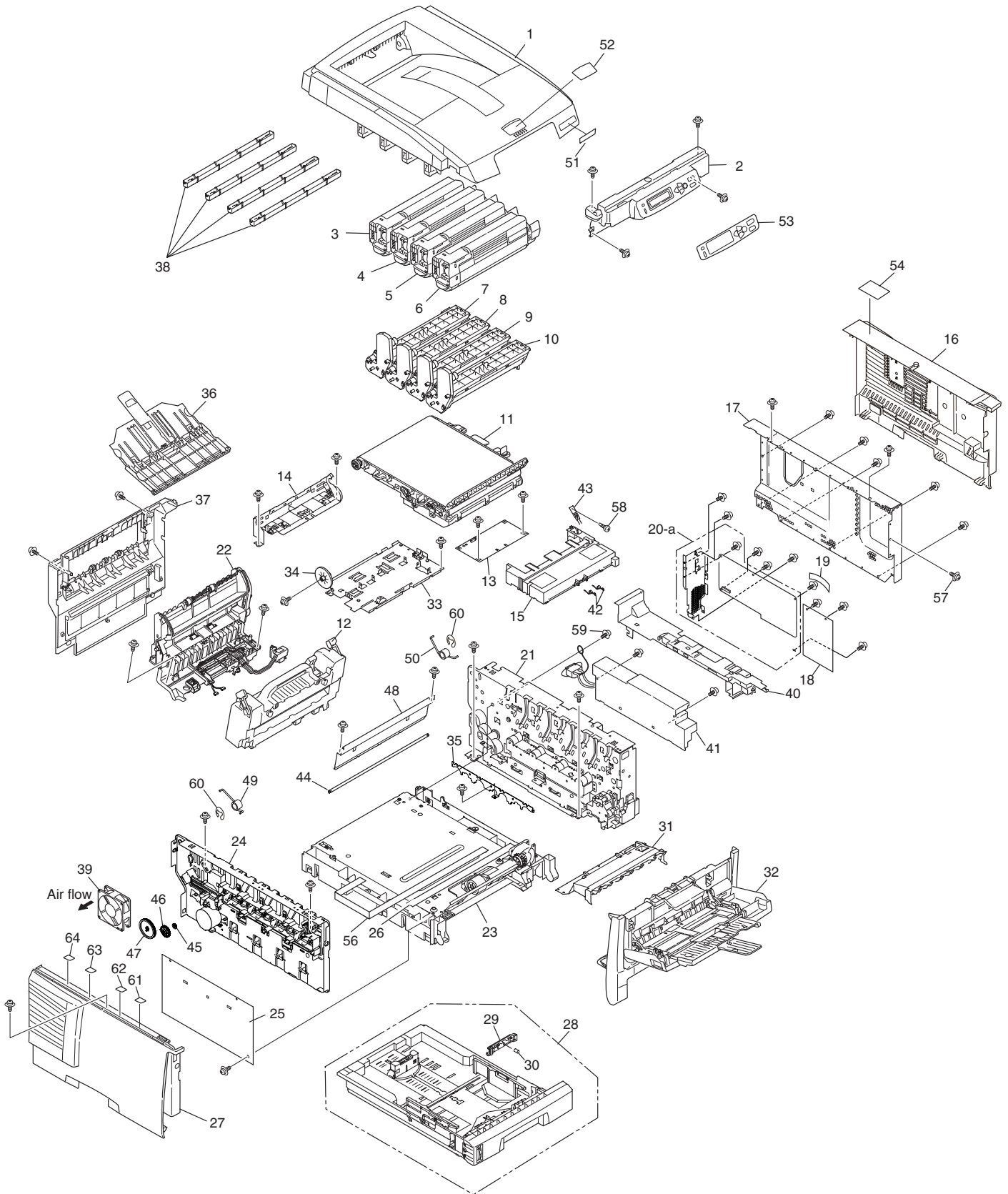
# OEL Disassembly Drawing

C5650/C5750/C5850/C5950

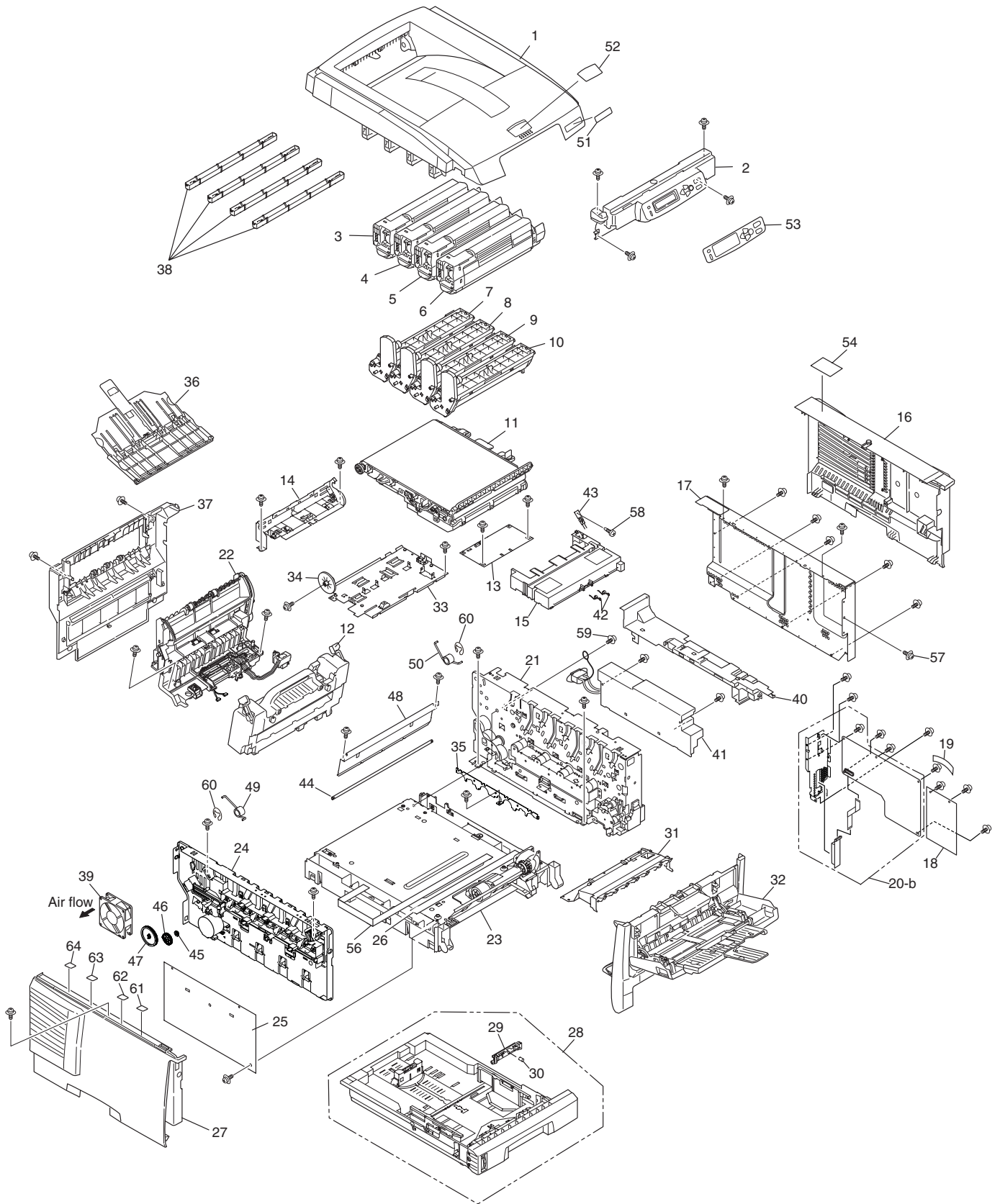


Revision 2

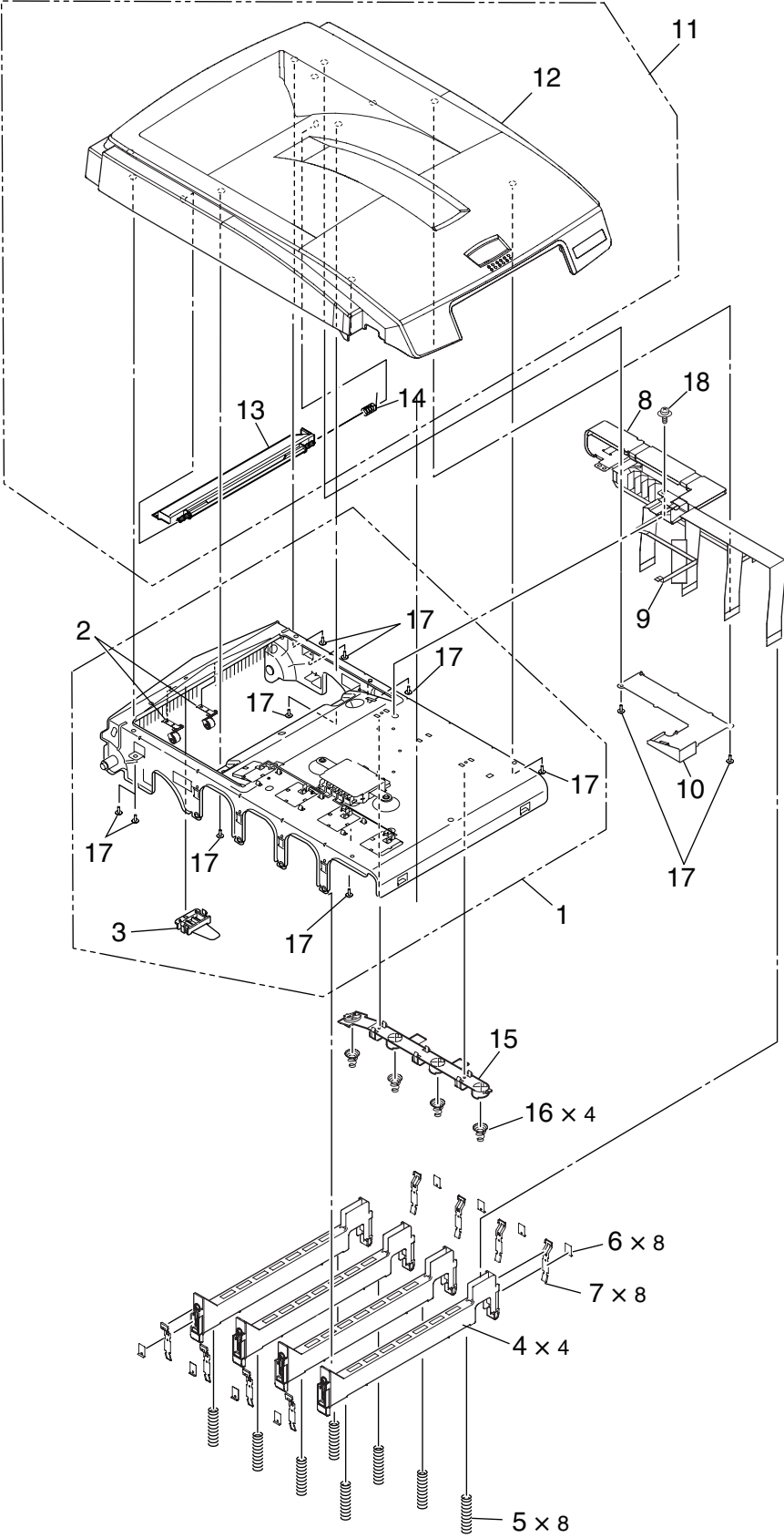
# Parts Layout (C5850/C5650)



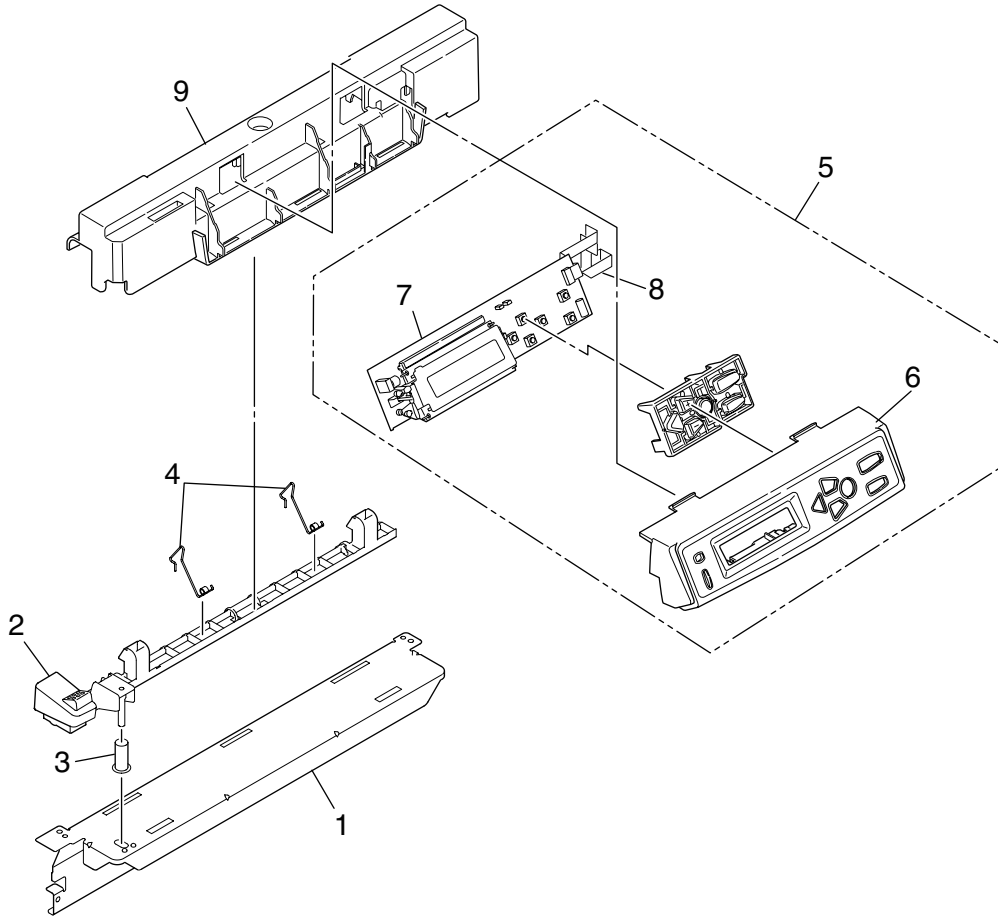
# Parts Layout (C6150/C6050/C5950/C5750)



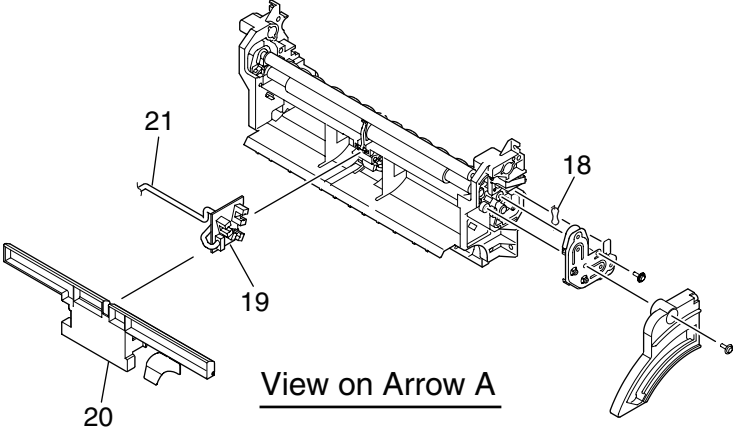
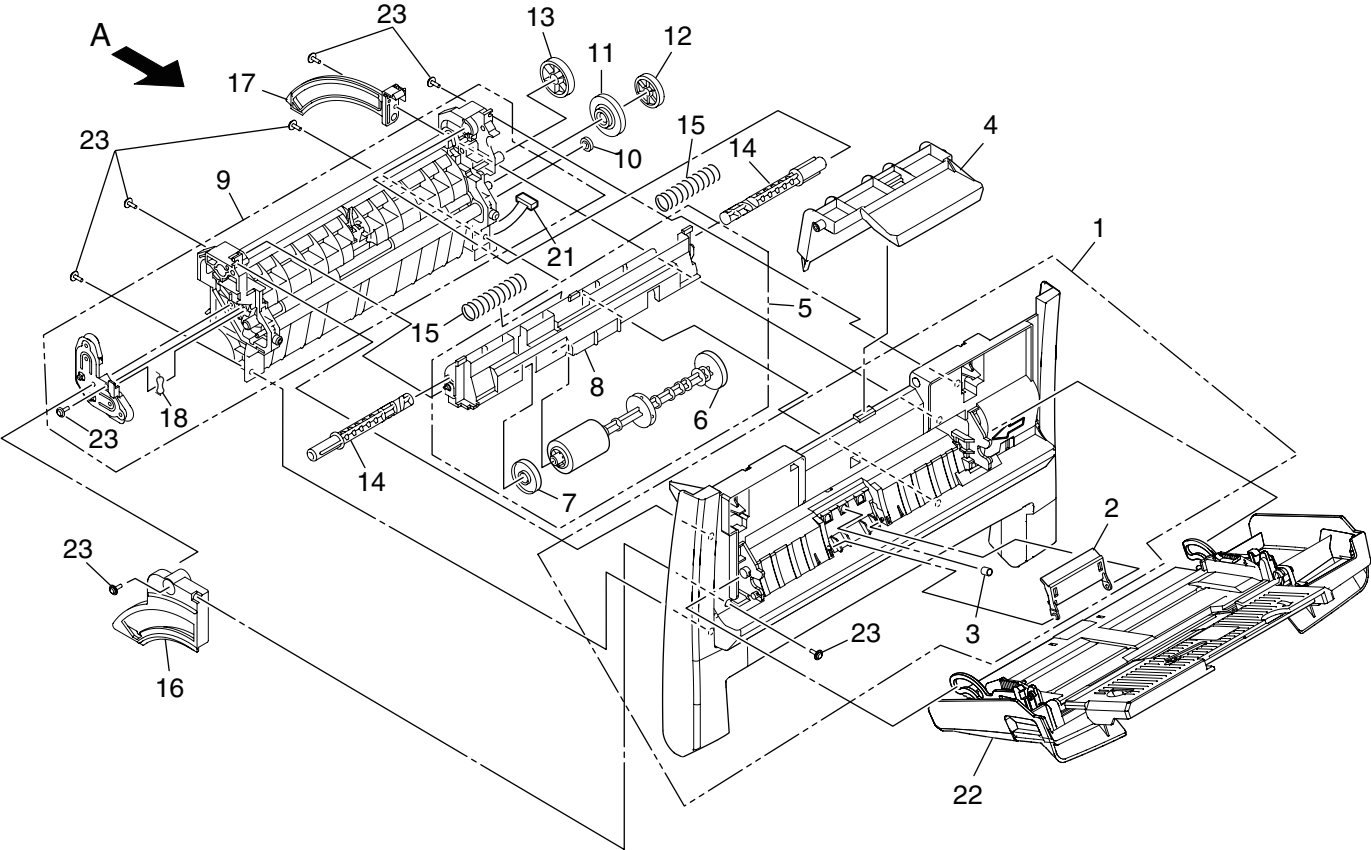
Top\_Cover\_Assy (C)



# Control\_Panel\_Assy (C)

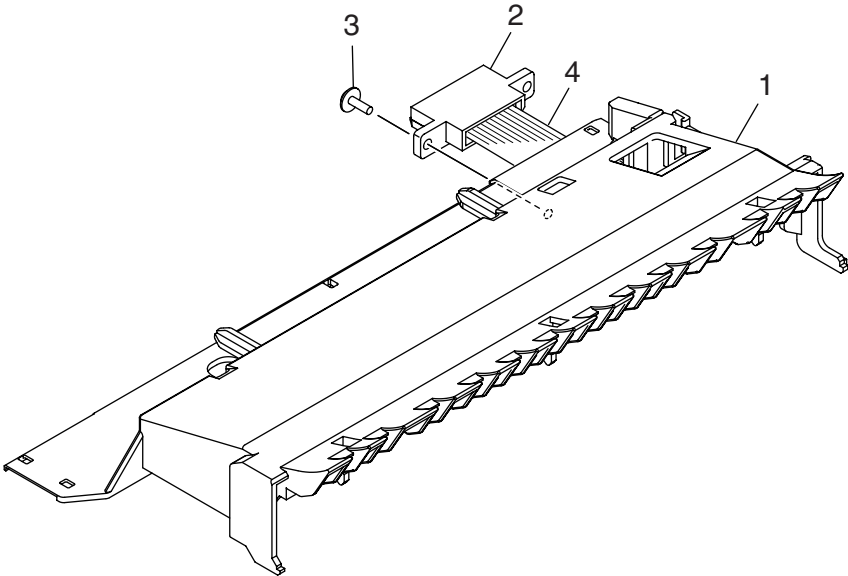


Feeder\_Unit

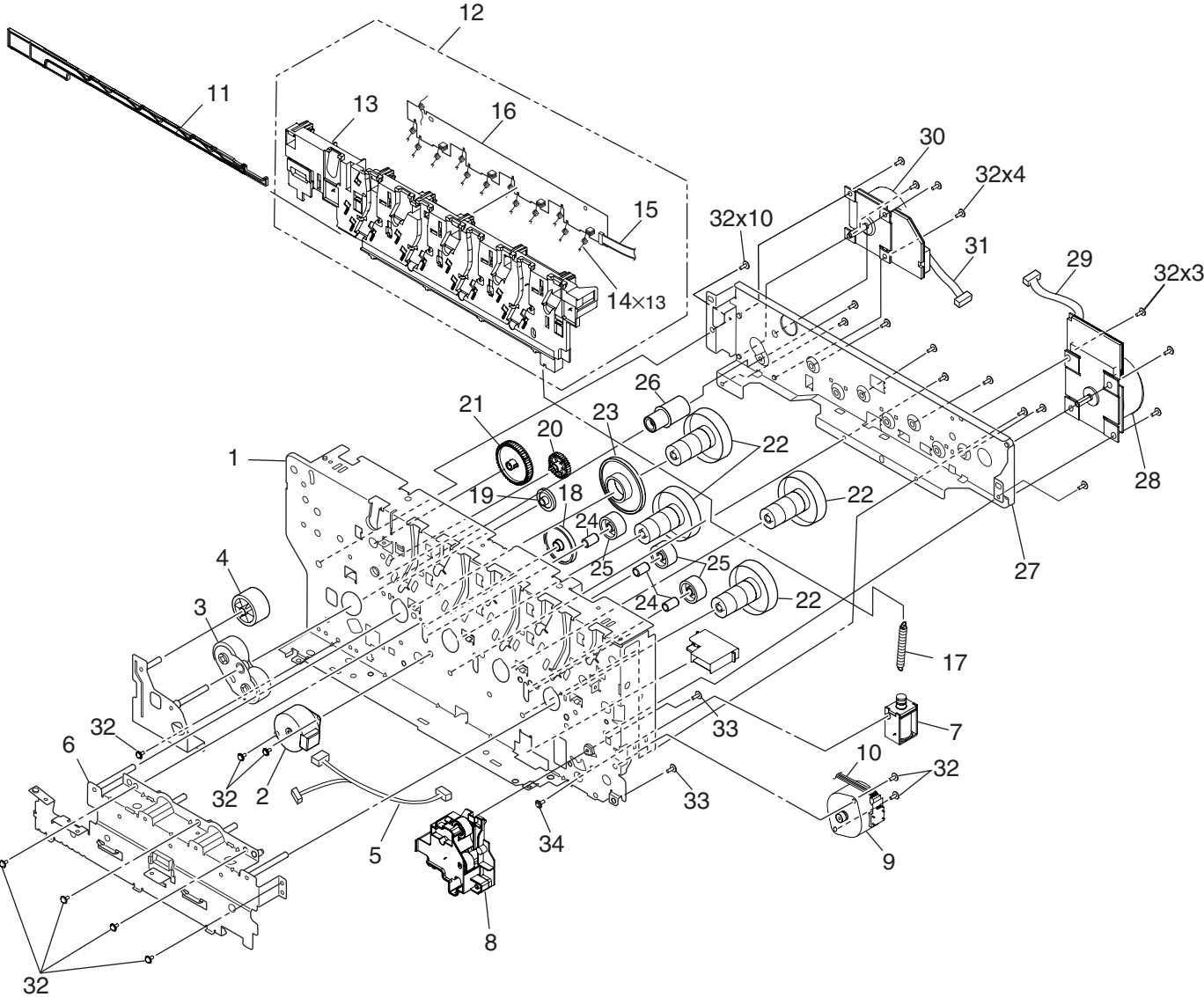


View on Arrow A

Cover\_Assy-Hopping

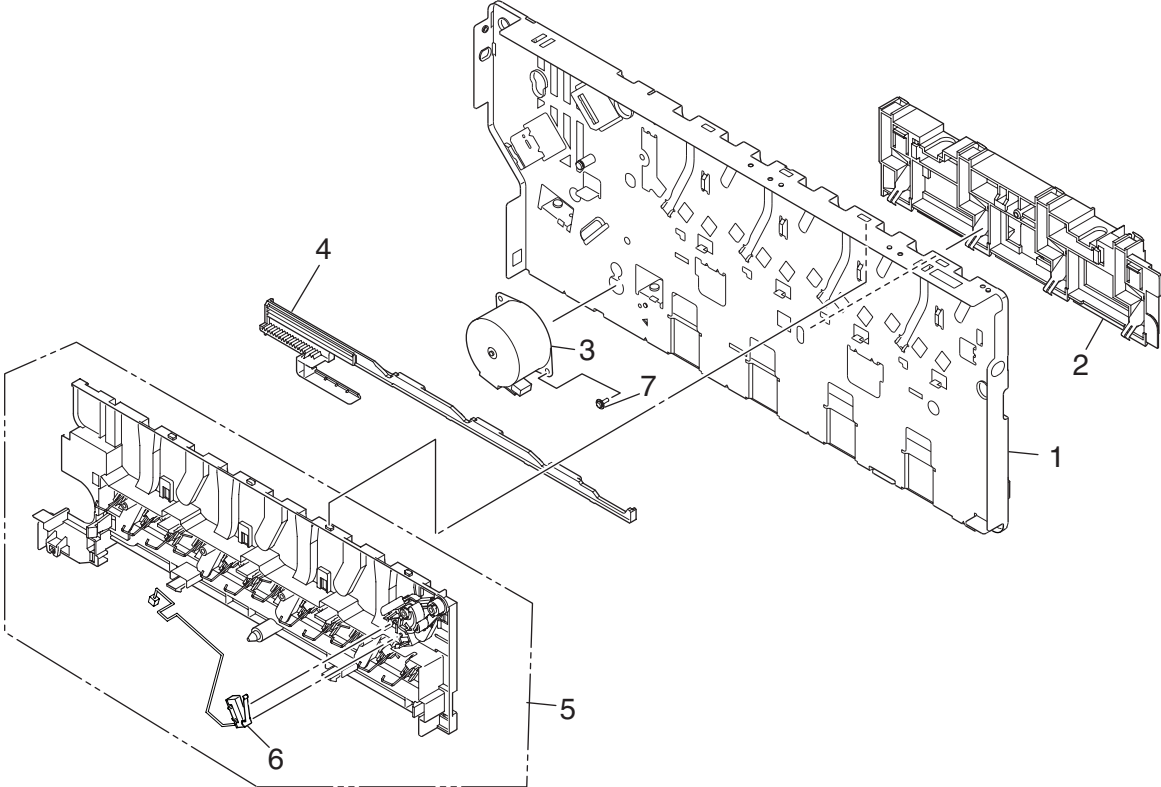


Plate\_Assy-Side\_R

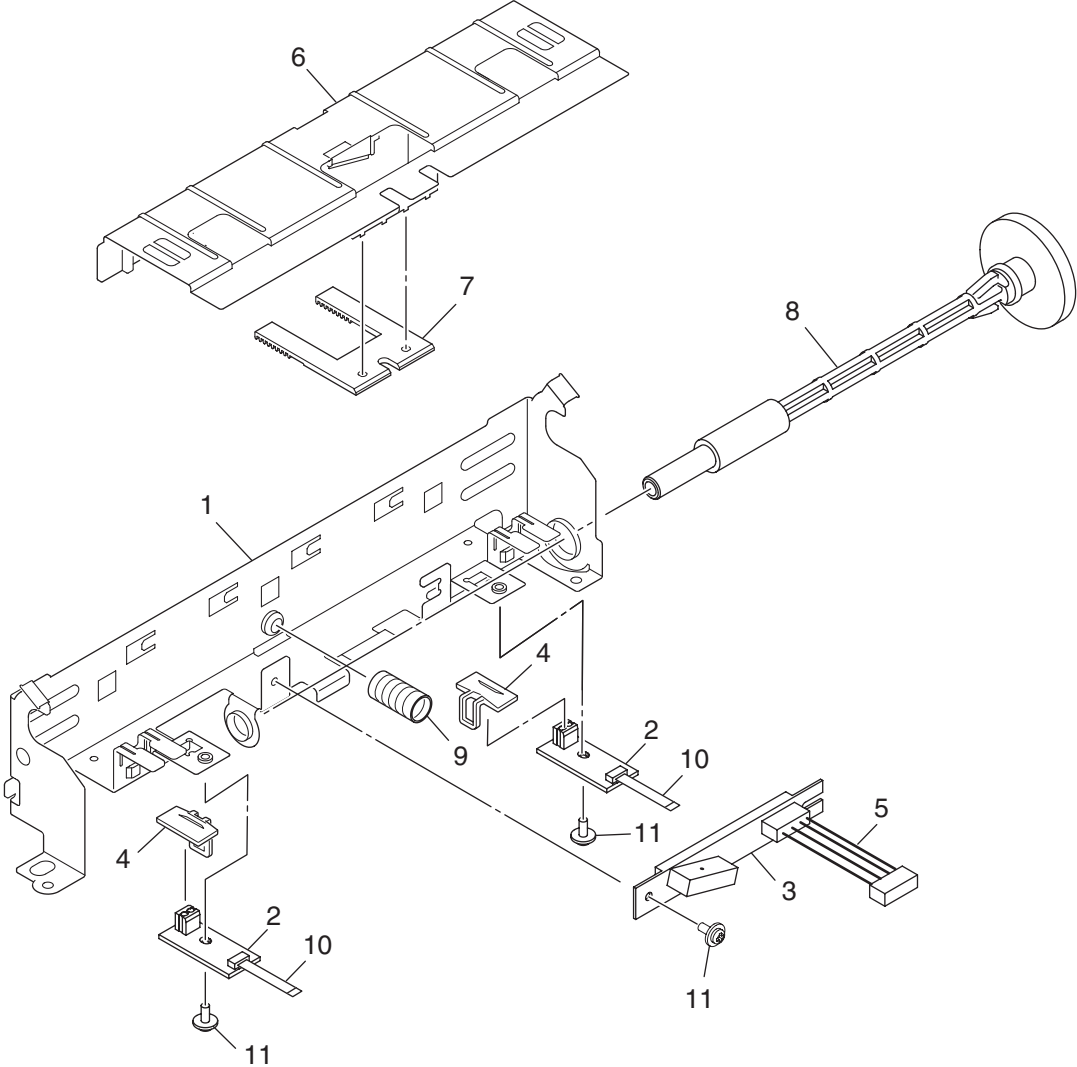




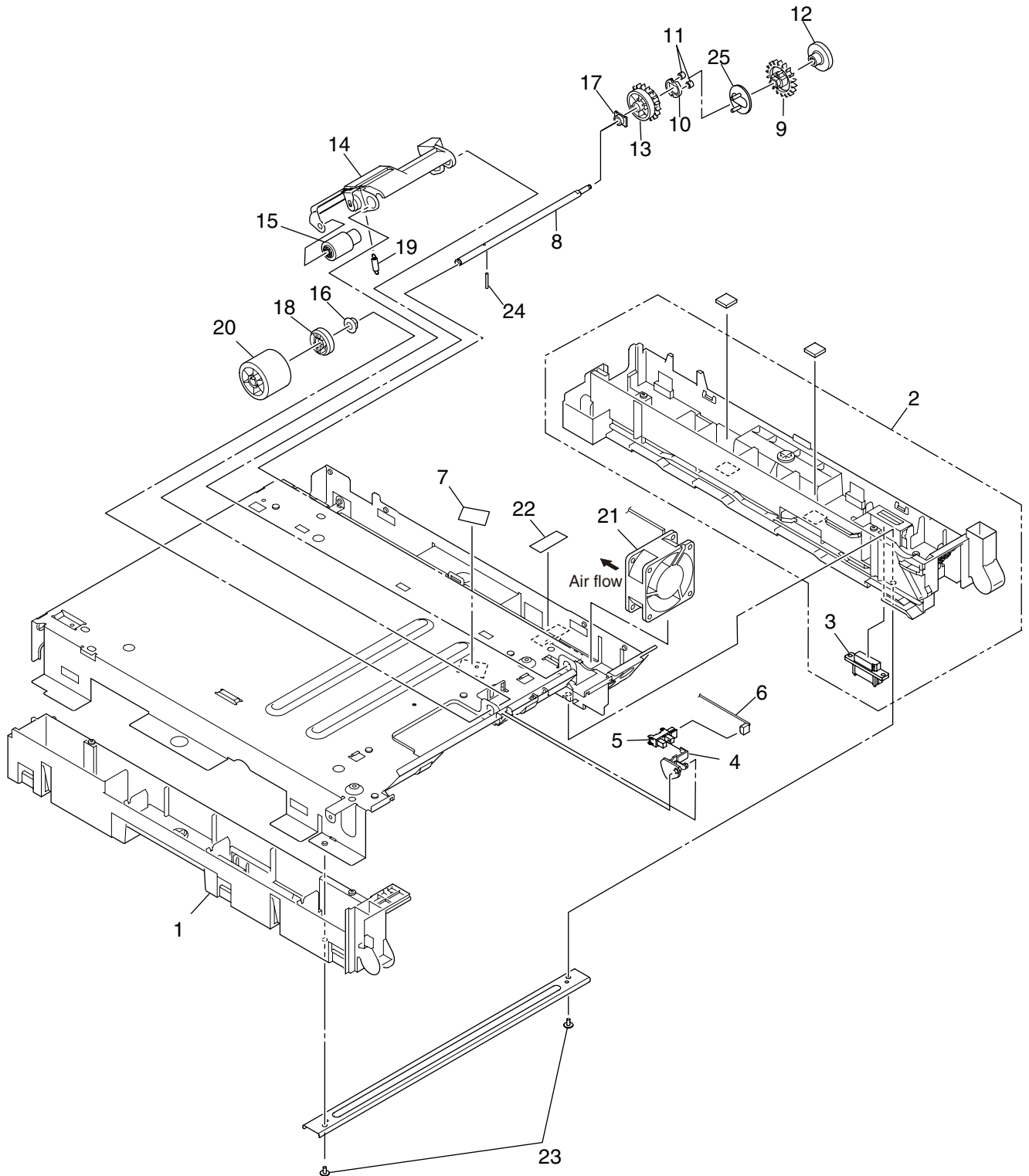
Plate\_Assy-Side\_L



# Sensor\_Assy-Regist



# Plate\_Assy-Base



Eject\_Assy

