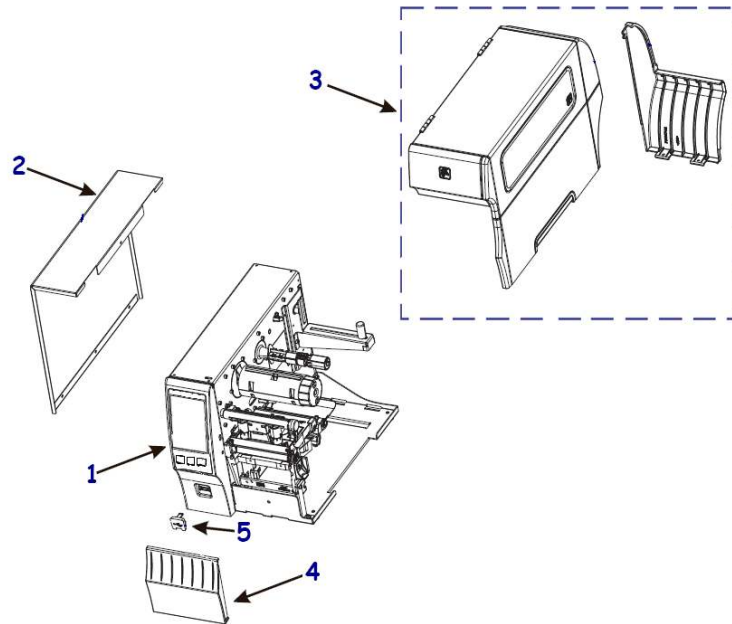
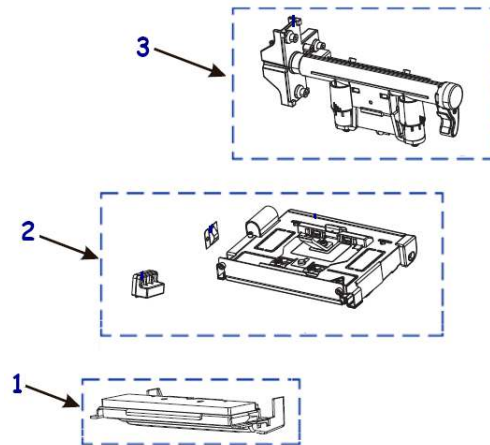


Outer Casing



Item Number	Description	Part Number	Quantity
1	Standard Control Panel ZT411 (Standard control panels include USB ports)	P1105147-001	1
1	Standard Control Panel ZT421 (Standard control panels include USB ports)	P1105147-002	1
1	Economy Control Panel ZT411 (Economy control panels do not include USB ports)	P1105147-003	1
1	Economy Control Panel ZT421 (Economy control panels do not include USB ports)	P1105147-004	1
1	China Standard Control Panel ZT411CN (Standard control panels include USB ports)	P1105147-030	1
1	China Standard Control Panel ZT421CN (Standard control panels include USB ports)	P1105147-031	1
1	China Economy Control Panel ZT411CN (Economy control panels do not include USB ports)	P1105147-032	1
1	China Economy Control Panel ZT421CN (Economy control panels do not include USB ports)	P1105147-033	1
	Covers for the Control Panel (Qty of 3) ZT411 ZT421	P1105147-029	3
2	Electronics Cover ZT400 Series	P1058930-003	1
3	Media Cover (includes window) ZT411	P1058930-004	1
3	Media Cover (includes window) ZT421	P1058930-005	1
	Window for Media Cover ZT400 Series	P1058930-008	1
4	Front Lower Panels ZT411 (includes tear and peel panels)	P1058930-006	1
4	Front Lower Panels ZT421 (includes tear and peel panels)	P1058930-007	1
5	Cover for the USB ports (Qty of 3), ZT411, ZT421	P1058930-404	3

Print Mechanism

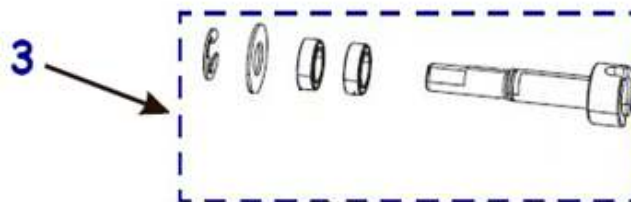
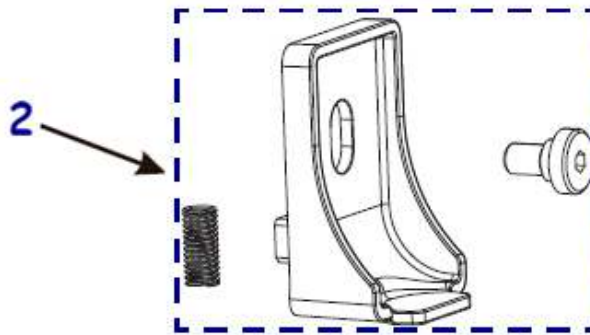
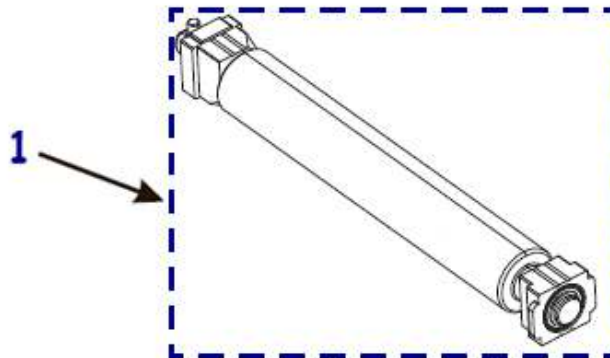


Item Number	Description	Part Number	Quantity
1	Printhead 203 dpi ZT411 & ZT411 RFID that is NOT printing On-Metal RFID labels	P1058930-009	1
1	Printhead 300 dpi ZT411 & ZT411 RFID that is NOT printing On-Metal RFID labels	P1058930-010	1
1	Printhead 600 dpi ZT411 & ZT411 RFID that is NOT printing On-Metal RFID labels	P1058930-011	1
1	Printhead only for On-Metal RFID label printing applications 203 dpi ZT411	P1105147-300	1
1	Printhead only for On-Metal RFID label printing applications 300 dpi ZT411	P1105147-301	1
1	Printhead 203 dpi ZT421 & ZT421 RFID	P1058930-012	1
1	Printhead 300 dpi ZT421 & ZT421 RFID	P1058930-013	1
2	Thermal Transfer Print Mechanism ZT411 (includes ribbon sensor with cable, printhead cables, ground contact and magnets)	P1105147-005	1
2	Thermal Transfer Print Mechanism ZT421 (includes ribbon sensor with cable, printhead cables, ground contact and magnets)	P1105147-006	1
3	Toggle Bar (includes lift strap) ZT411	P1058930-018	1
3	Toggle Bar (includes lift strap) ZT421	P1058930-019	1
	Ribbon Strip Plate and Ribbon Static Brush ZT411	P1058930-094	1
	Ribbon Strip Plate and Ribbon Static Brush ZT421	P1058930-095	1
	Magnets for holding the Print Mechanism open	P1058930-082	1
	Ground Contact ZT400 Series	P1058930-083	1

Printhead dpi conversion kits

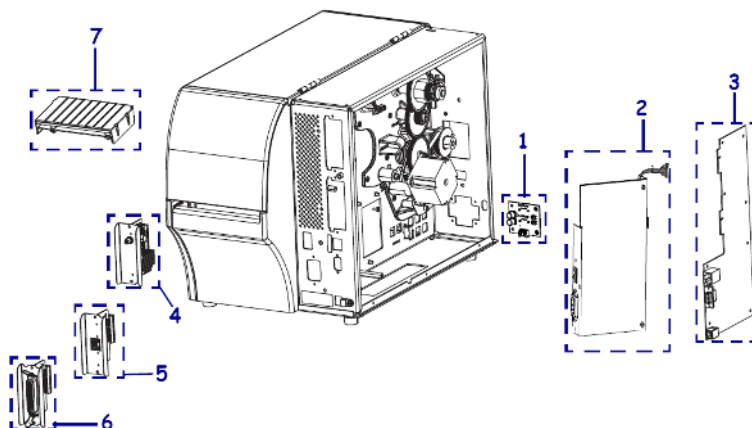
Item Number	Description	Part Number	Quantity
	Convert to 300 dpi ZT411	P1058930-022	1
	Convert to 203 dpi ZT411	P1058930-023	1
	Convert to 600 dpi ZT411	P1058930-024	1
	Convert to 300 dpi ZT421	P1058930-025	1
	Convert to 203 dpi ZT421	P1058930-026	1

Platen Roller



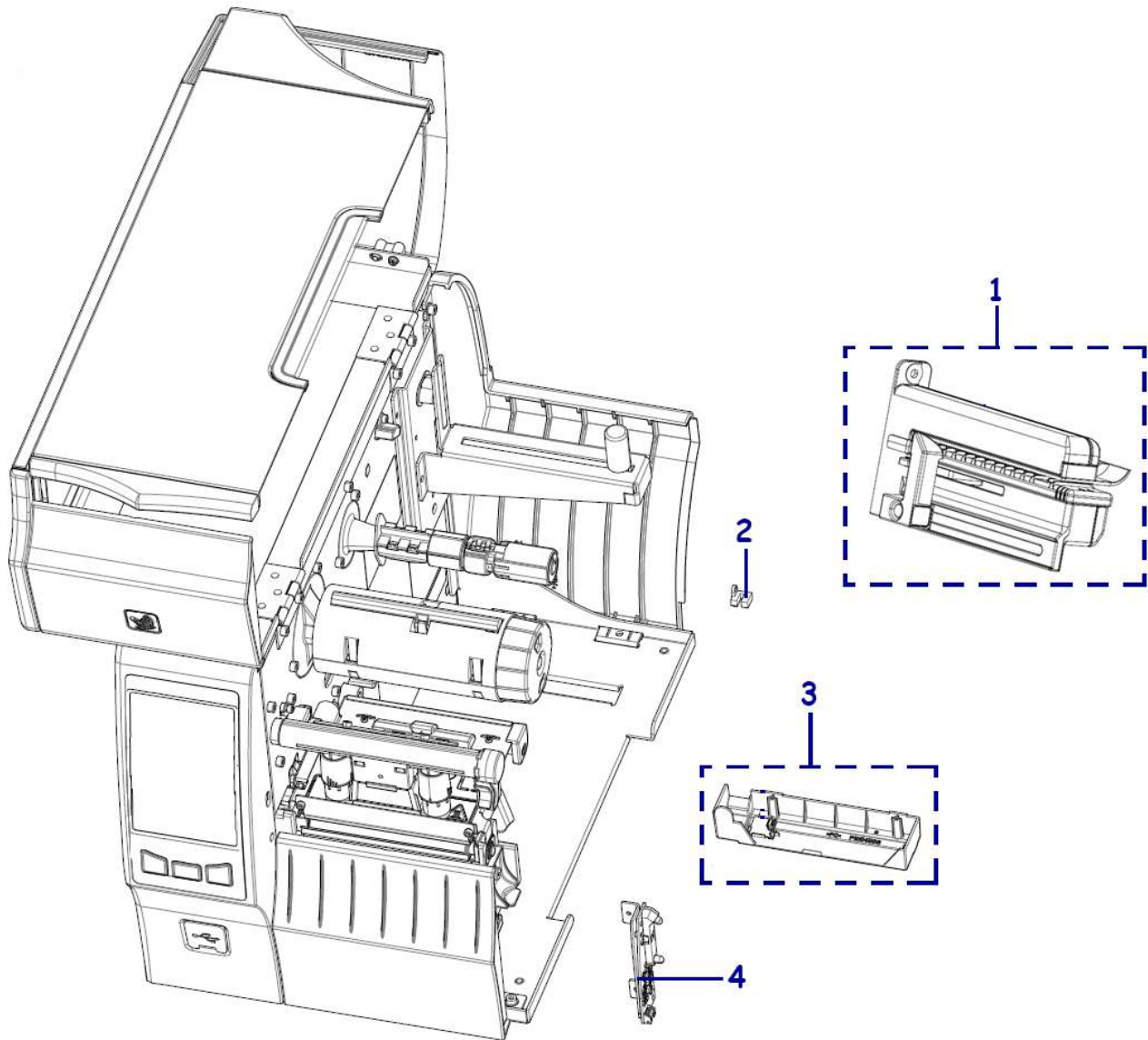
Item Number	Description	Part Number	Quantity
1	Platen Roller ZT411	P1058930-080	1
1	Platen Roller ZT421	P1058930-081	1
2	Lock/Retainer for the Platen Roller ZT400 Series	P1058930-027	1
3	Coupler for Platen Roller ZT400 Series	79862M	1

Electronics



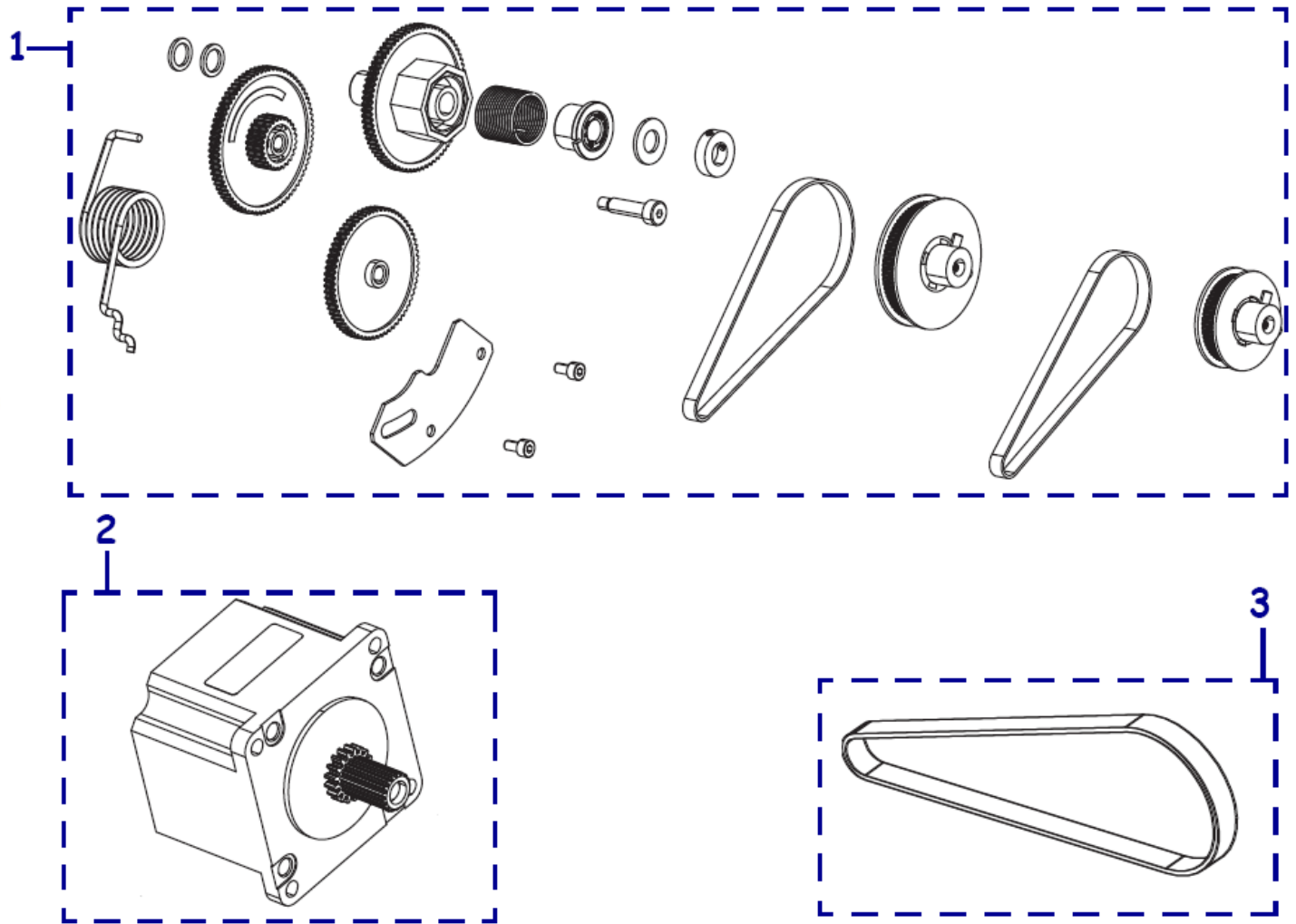
Item Number	Description	Part Number	Quantity
1	Dual Port USB PCBA ZT411 ZT421	P1058930-403	1
2	Power Supply ZT411	P1105147-012	1
2	Power Supply ZT421	P1105147-024	1
3	Standard Main Logic Board ZT411 ZT421. (Standard printer models have control panels with USB ports)	P1105147-007	1
3	Economy Main Logic Board ZT411 ZT421. (Economy printer models have control panels without USB ports)	P1105147-008	1
	Mounting Bracket for the Main Logic Board ZT411 ZT421	P1105147-009	1
4	ZebraNet Internal Wireless 802.11 ac radio, BT4.0, ZT411 ZT421 USA & Canada.	P1083320-037A	1
4	ZebraNet Internal Wireless 802.11 ac radio, BT4.0, ZT411 ZT421 Japan.	P1083320-037B	1
4	ZebraNet Internal Wireless 802.11 ac radio, BT4.0, ZT411 ZT421 for all countries except USA, Canada or Japan.	P1083320-037C	1
5	Internal Printserver (Ethernet port) ZT400 Series	P1058930-074	1
6	Parallel Port ZT400 Series	P1058930-075	1
7	RFID Module USA & Canada ZT400 Series	P1058930-500A	1
7	RFID Module Japan ZT400 Series	P1058930-500B	1
7	RFID Module Global (All countries except USA, Canada, Japan) ZT400 Series	P1058930-500C	1
	Applicator Interface Card	P1083320-038	1
	Replacement RFID Cables and Hardware ZT400 Series	P1058930-503	1
	Light Assemblies (Includes 1 Print Mechanism Light & 1 Media Light)	P1058930-079	2
	Replacement Antenna for 802.11n & ac Radios	P1037974-053	1
	Electronics Cables ZT411 ZT421	P1105147-013	1
	USA Power Cord	46693	1
	Europe Power Cord	46629	1
	UK Power Cord	46637	1
	Japan Power Cord	37609	1
	China Power Cord	47612	1

Sensors



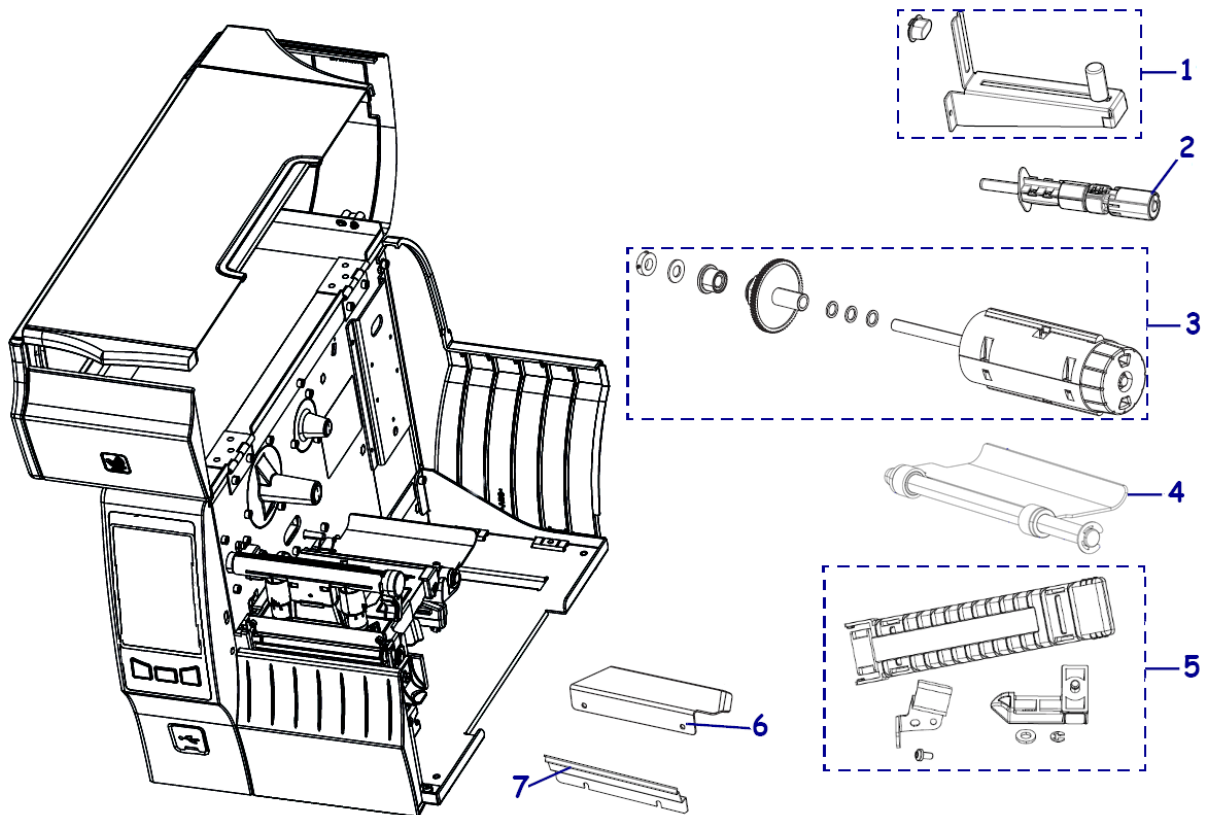
Item Number	Description	Part Number	Quantity
1	Media Sensor ZT411	P1105147-014	1
1	Media Sensor ZT421	P1105147-015	1
2	Head Open Sensor ZT411 ZT421	P1058930-084	1
3	Ribbon Sensor ZT411	P1105147-016	1
3	Ribbon Sensor ZT421	P1105147-017	1
4	Take Label Sensor ZT411 ZT421	P1105147-018	1

Drive System



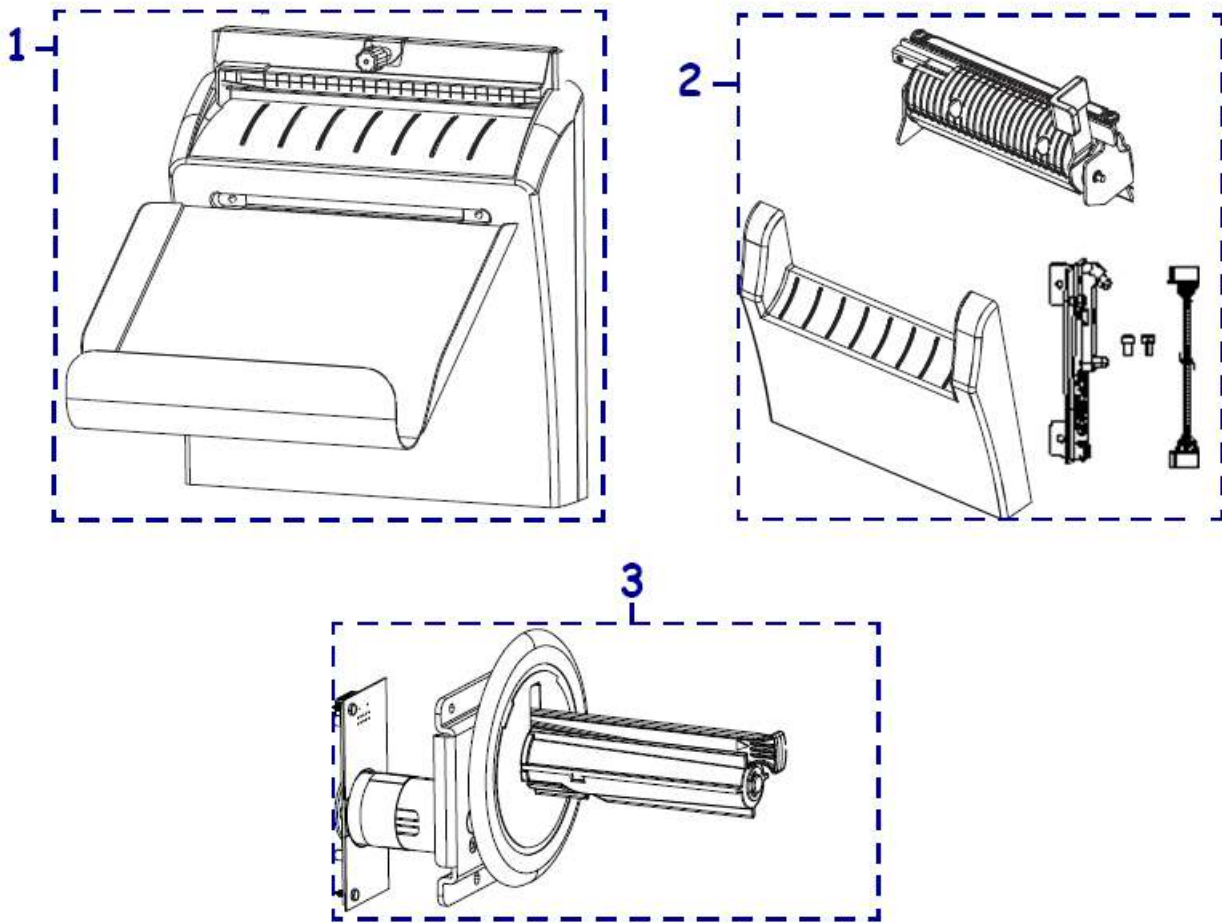
Item Number	Description	Part Number	Quantity
1	Drive System ZT400 Series (includes gears, belts and pulleys for 203 dpi and 300/600 dpi)	P1058930-039	1
2	Drive Motor ZT400 Series	P1058930-040	1
3	Drive Belt 203 dpi ZT400 Series	79866M	1
3	Drive Belt 300 dpi and 600 dpi ZT400 Series	79867M	1

Media Path



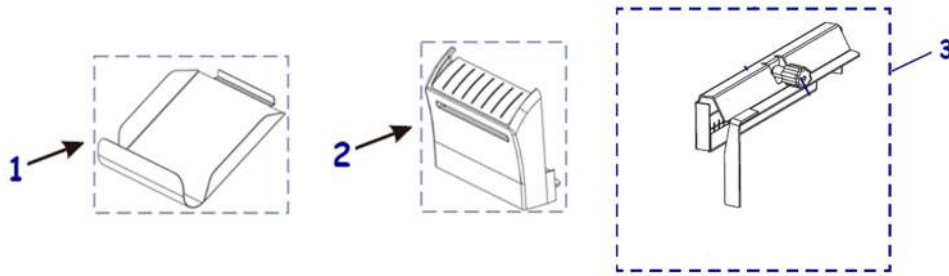
Item Number	Description	Part Number	Quantity
1	Standard Media Hanger for 3" (76mm) diameter media cores ZT411	P1058930-042	1
	Media Hanger for 1" (25mm) diameter media cores ZT411 only	P1058930-086	1
1	Standard Media Hanger ZT421	P1058930-043	1
2	Ribbon Supply Spindle ZT411	P1058930-085	1
2	Ribbon Supply Spindle: For Ribbons Coated Inside Only ZT411	79830M	1
2	Ribbon Supply Spindle ZT421	79829M	1
3	Ribbon Take Up Spindle ZT411	P1058930-045	1
3	Ribbon Take Up Spindle ZT421	P1058930-046	1
4	Media Dancer ZT411	P1105147-025	1
4	Media Dancer ZT421	P1105147-026	1
5	Standard Media Guides and Media Carrier ZT411	P1105147-027	1
5	On-Metal RFID Media Guides and Media Carrier ZT411	P1105147-302	1
5	Media Guides and Media Carrier ZT421	P1105147-028	1
6	Media Shelf ZT411	P1058930-047	1
6	Media Shelf ZT421	P1058930-048	1
7	Tear Bar ZT411	79837M	1
7	Tear Bar ZT421	79838M	1
	Covers for the Media Light holes on Economy models without Media Lights	P1105147-010	4

Field Installable Media Handling Options: Cutter - Peel - Liner Take Up



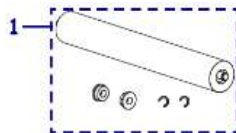
Item Number	Description	Part Number	Quantity
1	Cutter Option ZT411	P1058930-189	1
1	Cutter Option ZT421	P1058930-190	1
2	Peel Assembly ZT411	P1105147-019	1
2	Peel Assembly ZT421	P1105147-020	1
3	Liner Take Up Spindle & Motor ZT411 (To enable liner take up functionality, also purchase the P1105147-019 peel assembly)	P1058930-052	1

Replacement Parts for Cutter

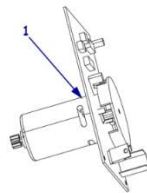


Item Number	Description	Part Number	Quantity
1	Catch Tray for Cutter ZT411	77041	1
1	Catch Tray for Cutter ZT421	77997	1
2	Cover for the Cutter includes PCBA and cutter cable ZT411.	P1058930-102	1
2	Cover for the Cutter includes PCBA and cutter cable ZT421.	P1058930-103	1
3	Replacement Static Brush & Cutter Guard ZT411.	P1066612	1
3	Replacement Static Brush & Cutter Guard ZT421.	P1066613	1

Replacement Parts for Peel & Liner Take-Up

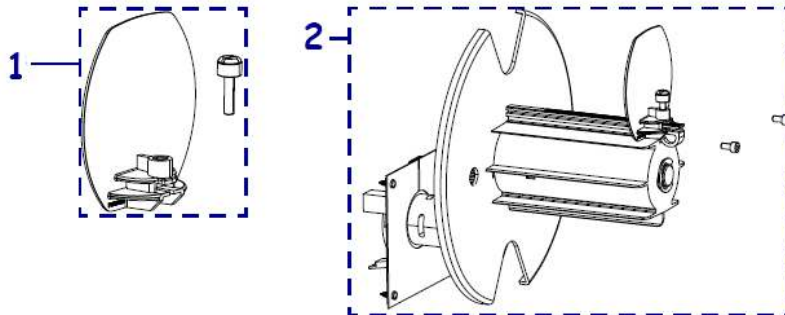


Item Number	Description	Part Number	Quantity
1	Roller for the Peel Assembly ZT411	77197M	1
1	Roller for the Peel Assembly ZT421	77727M	1



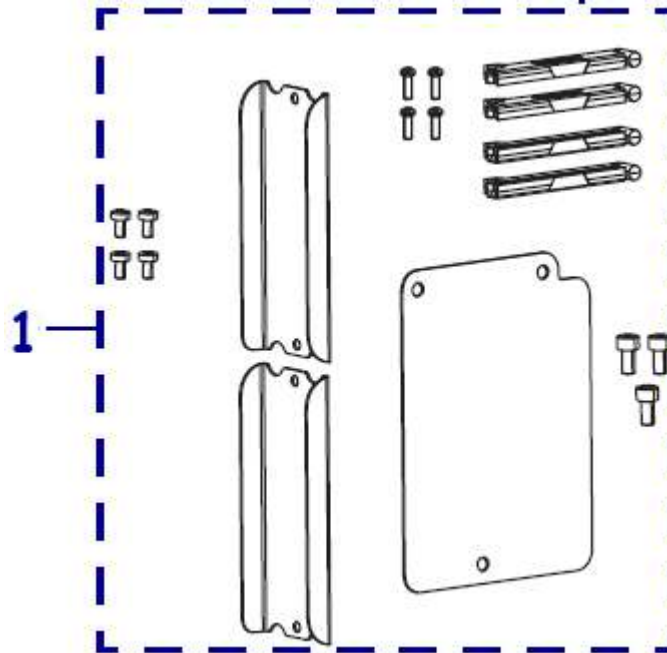
Item Number	Description	Part Number	Quantity
1	Motor and PCBA for Liner Take Up Spindle ZT411	G34112M	1

Replacement Parts for Media Rewind



Item Number	Description	Part Number	Quantity
1	Media Guard for Media Rewind Spindle ZT400 Series	P1058930-057	1
2	Media Rewind Spindle (includes Motor and PCBA) ZT411 (This item is only for replacing an existing media rewind spindle on a printer that shipped from the factory with the media rewind option installed. Media rewind is not a field installable option)	P1058930-058	1
2	Media Rewind Spindle (includes Motor and PCBA) ZT421 (This item is only for replacing an existing media rewind spindle on a printer that shipped from the factory with the media rewind option installed. Media rewind is not a field installable option)	P1058930-059	1
	Motor and PCBA for Media Rewind Spindle ZT411	G34110M	1
	Motor and PCBA for Media Rewind Spindle ZT421	G34111M	1
	Steer Roller for Media Rewind ZT411	P1058930-055	1
	Steer Roller for Media Rewind ZT421	P1058930-056	1
	Door and Trim for Media Rewind ZT411	P1058930-060	1
	Door and Trim for Media Rewind ZT421	P1058930-061	1

Covers & Miscellaneous Hardware



Item Number	Description	Part Number	Quantity
1	Covers/Mounts for Options ZT400 Series	P1058930-062	1
	Assorted Hardware ZT411 ZT421 (various screws and washers used throughout the printer)	P1105147-023	1
	Feet on bottom of printer (Qty 20) ZT400 Series	P1058930-078	20

Packaging Materials for Printer Shipping

Item Number	Description	Part Number	Quantity
	Packaging for ZT411 (Qty 1)	P1058930-166	1
	Packaging for ZT411 (Qty 8)	P1058930-167	8
	Packaging for Media Rewind Versions of ZT411 (Qty 1)	P1058930-070	1
	Packaging for ZT421 (Qty 1)	P1058930-068	1
	Packaging for ZT421 (Qty 8)	P1058930-069	8
	Packaging for Media Rewind Versions of ZT421 (Qty 1)	P1058930-071	1