

Main
 PL 1.1 Main 5-3

ADF
 PL 1.2 ADF 5-4

Covers
 PL 2.1 Covers 5-5

Middle Cover
 PL 2.2 Middle Cover 5-6

Frame
 PL 4.1 Frame 5-7

Duplex
 PL 4.2 Duplex 5-8

Exit Frame
 PL 4.3 Exit Frame 5-9

Paper Path
 PL 4.4 Paper Path 5-10

Base Pick Up
 PL 4.5 Base Pick Up 5-11

Left Main Frame
 PL 4.6 Left Main Frame 5-12

Right Main Frame
 PL 4.7 Right Main Frame 5-13

Fuser
 PL 5.1 Fuser 5-14

Lower Fuser
 PL 5.2 Lower Fuser 5-15

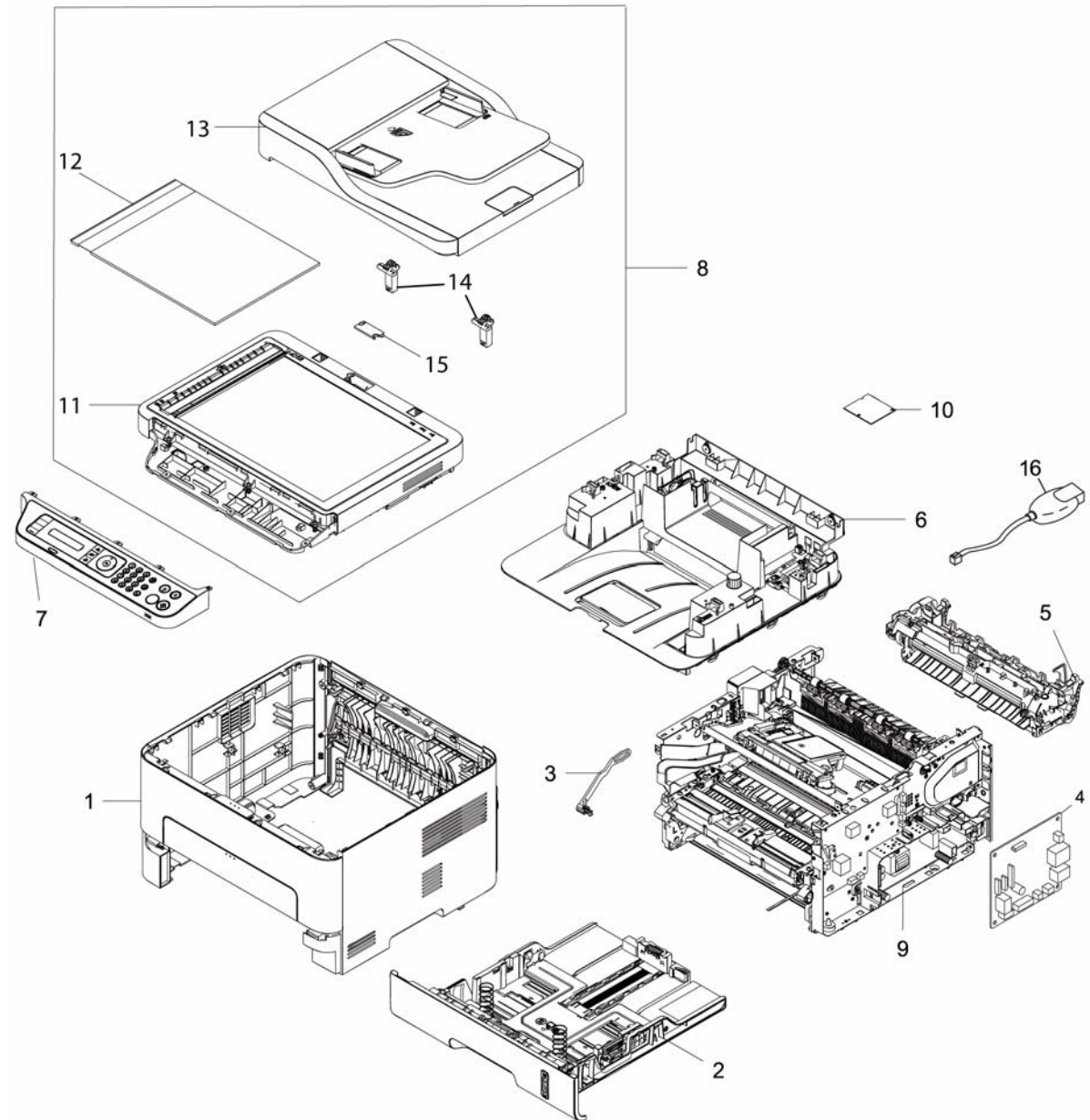
Cassette
 PL 6.1 Paper Tray 5-16

Platen
 PL 7.1 Scanner Module 5-17

Control Panel
 PL 8.1 Control Panel 5-18
 Part Number Index 5-19
 5-20

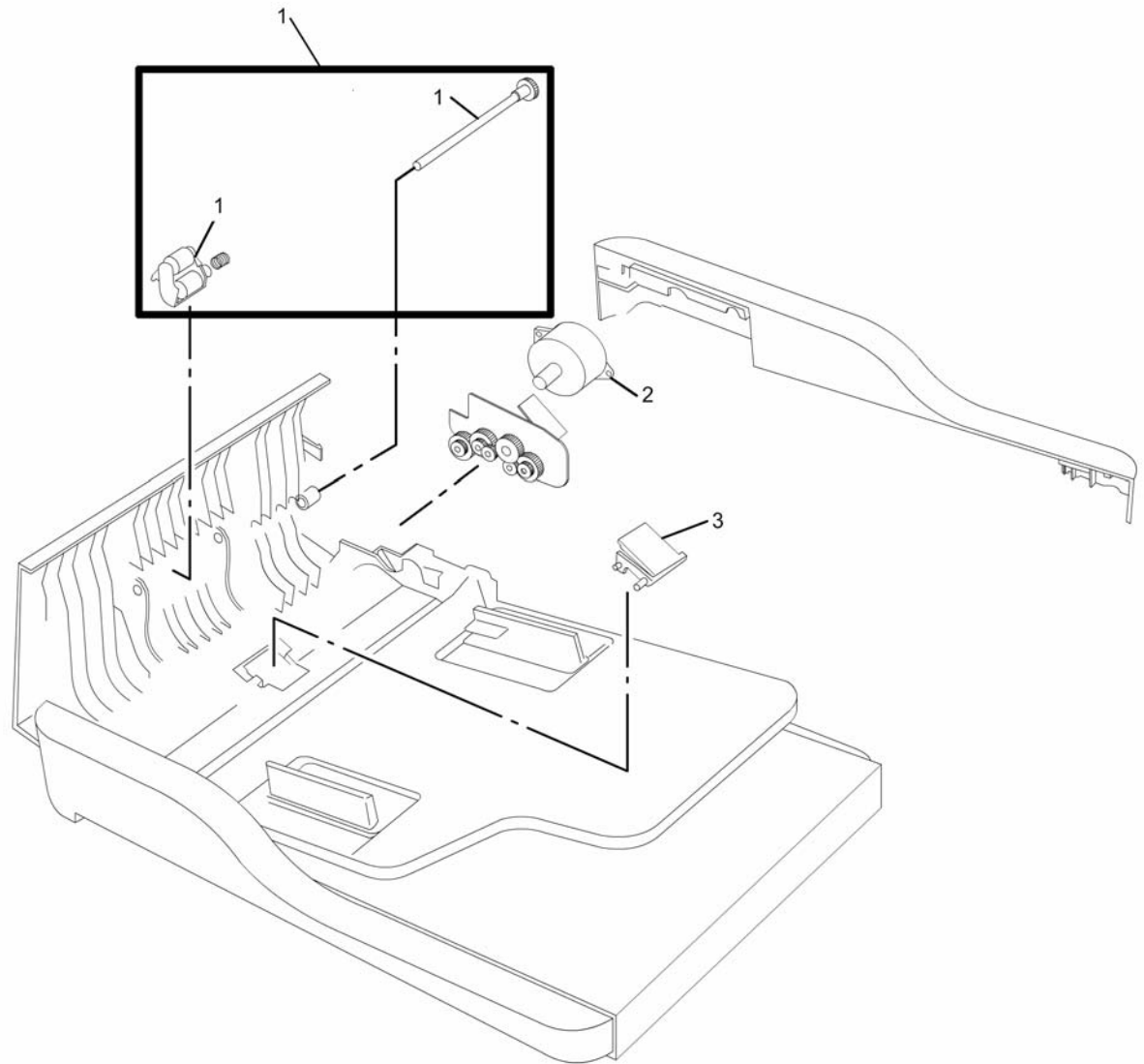
PL 1.1 Main

Item	Part	Description
1	–	Cover
2	–	Paper Tray (PL 6.1)
3	–	Coupling B Lever
4	140N63716	PWB-MAIN-3225 DN
–	140N63715	PWB-MAIN-3225 DNI
–	140N63714	PWB-MAIN-3215 NI
5	–	Fuser (PL 5.1)
6	–	Middle Cover (PL 2.2)
7	–	Control Panel (PL 8.1)
8	–	Scanner/ADF Assembly
9	–	Frame
10	140N63727	WIFI PWB
11	–	Platen (PL 7.1)
12	050N00680	Document Pad
13	022N02799	ADF Module (PL 1.2)
14	003N01117	ADF Hinge
15	–	Connector Cover
16	005N01172	Surge Protector (South Africa Only)



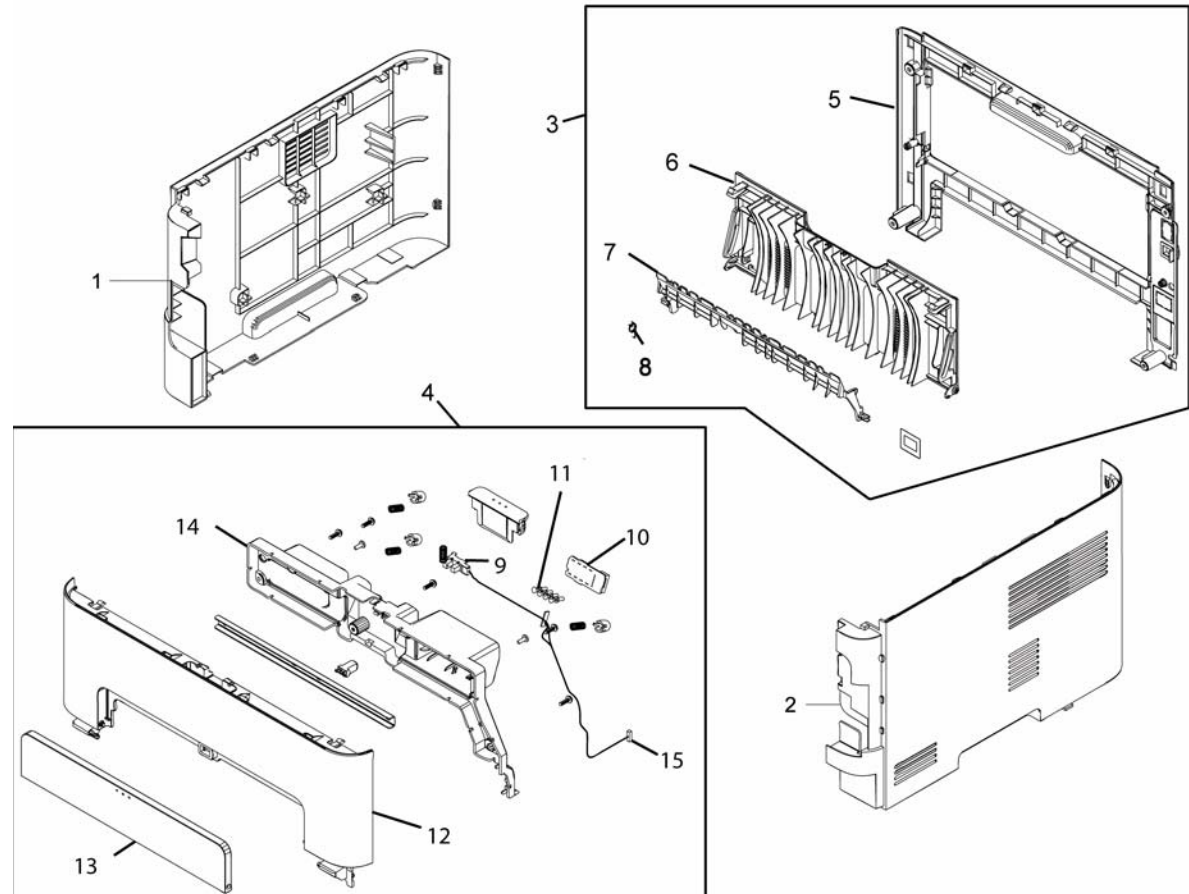
PL 1.2 ADF

Item	Part	Description
1	022N02801	ADF Feed Roll Assembly
2	127N07864	ADF Drive Motor
3	022N02800	ADF Retard Pad



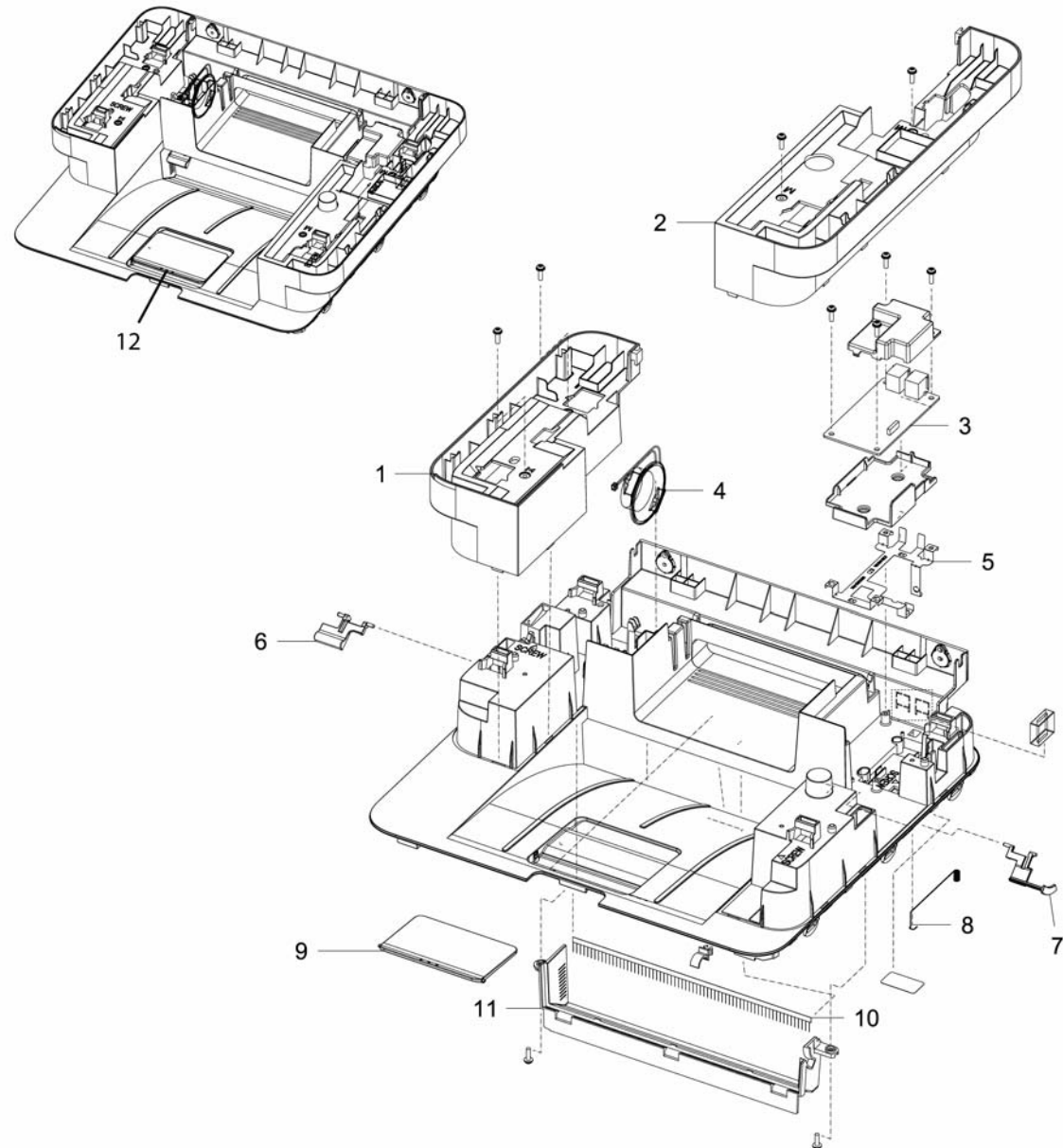
PL 2.1 Covers

Item	Part	Description	
1	002N03167	Left Cover	3 { 5-8
2	002N03182	Right Cover	4 { 9-14
3	002N03172	Rear Cover Assembly	
4	002N03175	Front Cover Assembly	
5	-	Rear Cover	
6	-	Exit Paper Guide	
7	-	Duplex Gate	
8	-	Spring	
9	-	Front Cover Latched Sensor	
10	-	CRUM PWB	
11	-	CRUM Contacts	
12	-	Front Cover	
13	-	Manual Cover	
14	-	Front Harness Cover	
15	-	CRUM Harness	



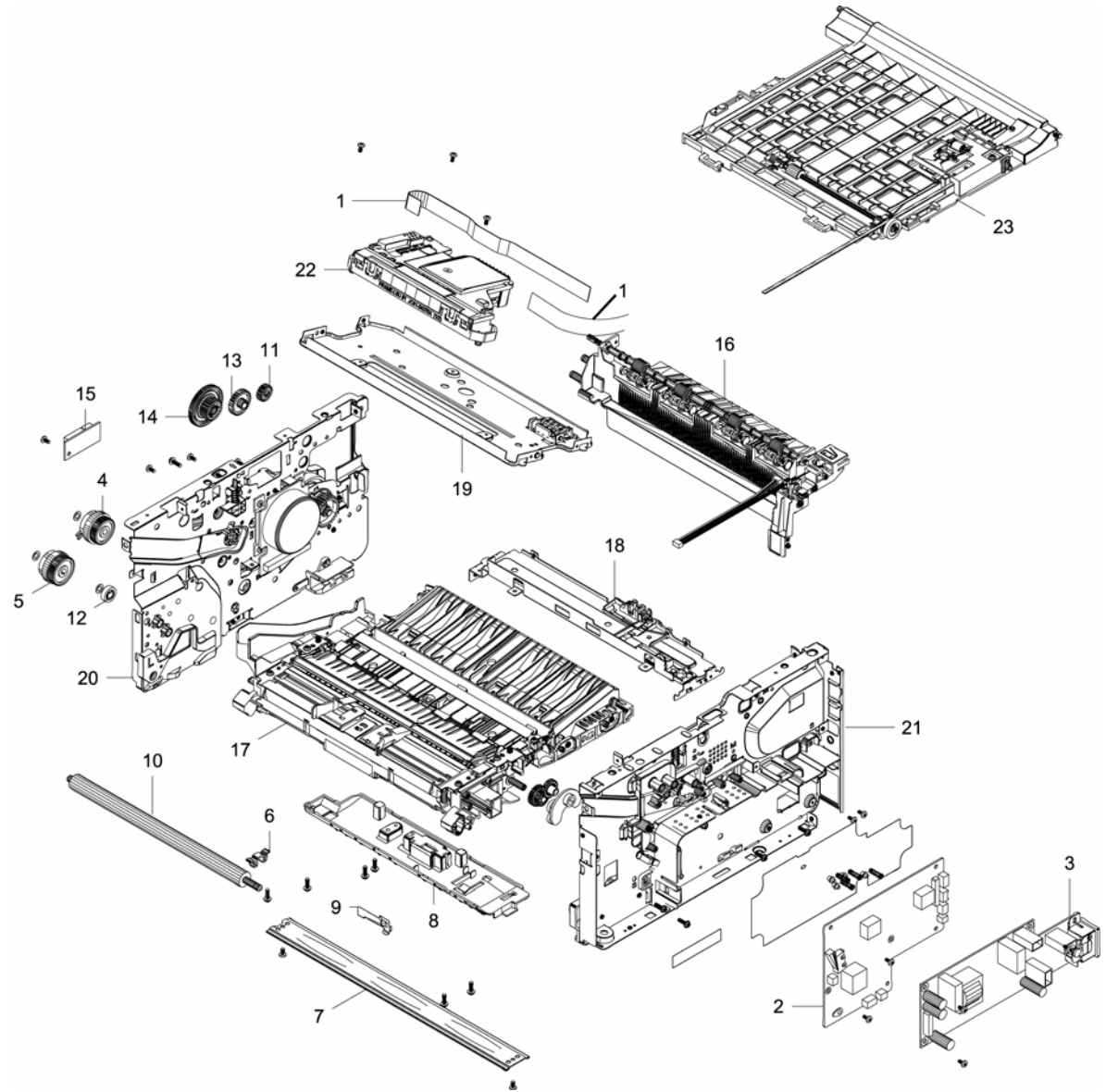
PL 2.2 Middle Cover

Item	Part	Description
1	002N03157	Left Middle Cover
2	002N03158	Right Middle Cover
3	140N63726	FAX PWB
4	-	Speaker
5	-	FAX Ground
6	-	Paper Stacker
7	-	Bin Full Sensor
8	-	Spring
9	004N00286	Output Support
10	-	Antistatic Brush
11	-	Exit Cover
12	-	Middle Cover Assembly



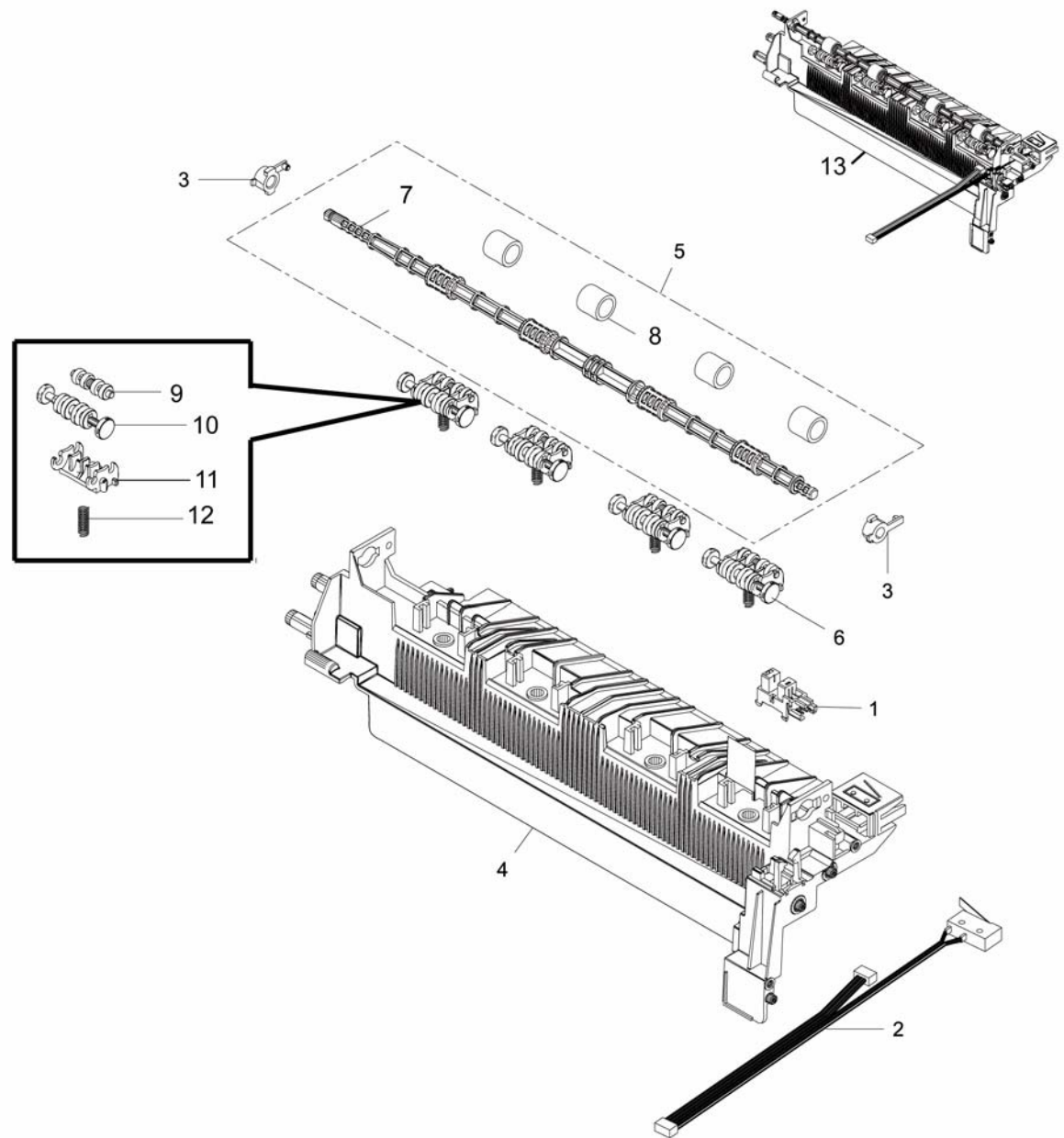
PL 4.1 Frame

Item	Part	Description
1	117N01969	Flat Cable
2	105N02301	HVPS
3	105N02300	LVPS 220V
-	105N02299	LVPS 110V
4	121N01247	Registration Clutch
5	121N01248	Feed Clutch
6	-	Transfer Roll Holder
7	-	Bottom Bar
8	-	Feed Frame
9	-	Ground Clip
10	022N02803	Transfer Roller
11	-	Exit Gear
12	-	Feed Gear
13	-	Exit Idle Gear
14	-	Exit Gear
15	011N00581	Paper Feed PWB
16	-	Main Exit Frame
17	-	Paper Path Frame
18	-	Exit Sensor Frame
19	-	LSU Bracket Frame
20	-	Left Main Frame
21	-	Right Main Frame
22	062N00292	LSU
23	-	Duplex (PL 4.2)



PL 4.3 Exit Frame

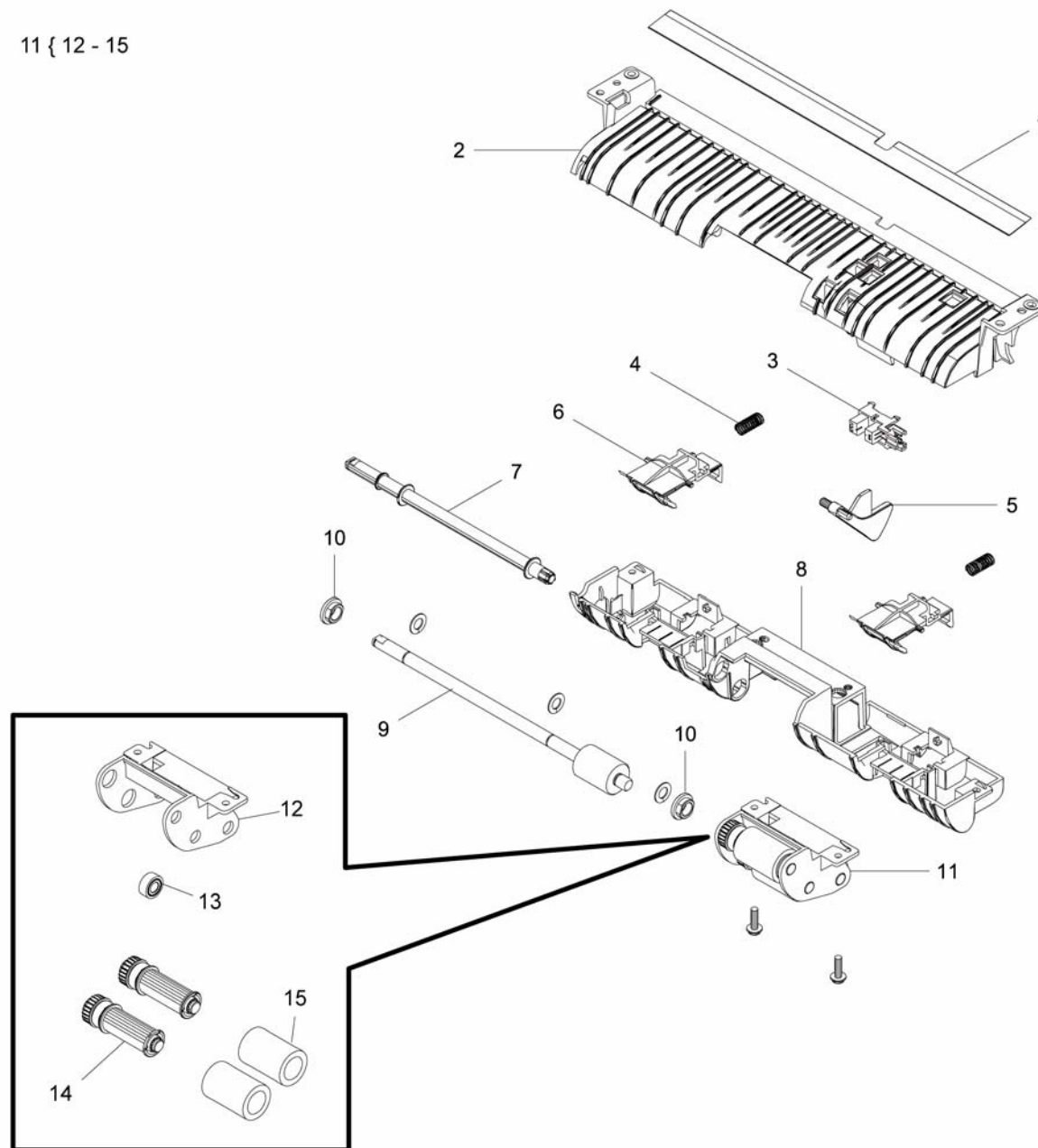
Item	Part	Description
1	130N01758	Output Tray Full Sensor
2	-	Harness
3	006N01361	Bushing
4	-	Exit Frame
5	001N00546	Exit Roller
6	-	Decurler Roller
7	-	Exit Shaft
8	-	Rubber Exit Dup
9	-	Inner Exit Roller
10	-	Outer Exit Roller
11	-	Exit Roll Holder
12	-	Spring
13	-	Exit Frame Assembly



PL 4.5 Base Pick Up

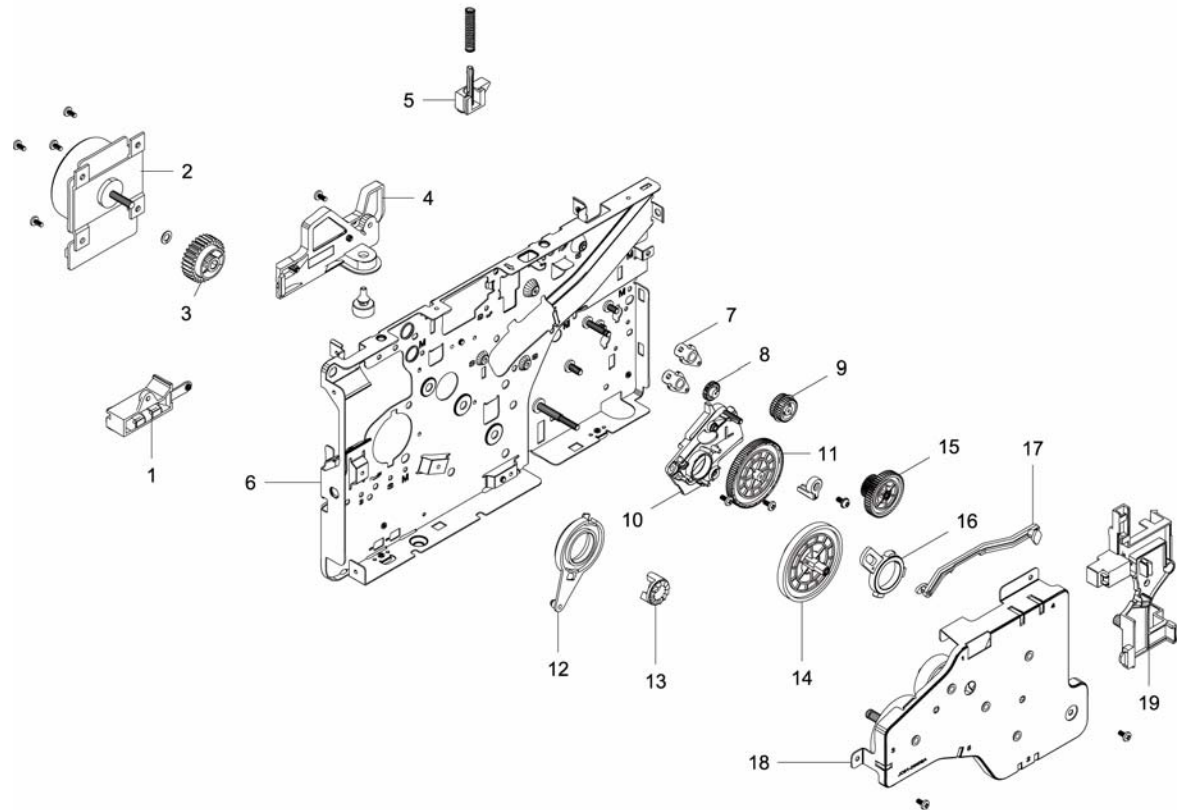
Item	Part	Description
1	–	Duplex Path Sheet
2	–	Duplex Guide
3	130N01758	Sensor
4	–	Spring
5	–	Paper Tray Empty Sensor
6	–	Duplex Guide Lever
7	–	Pick Up Shaft
8	–	Pick Up Guide
9	022N02802	Paper Drive Roller
10	–	Bushing
11	130N01760	Paper Feed Roll Assembly
12	–	Feed Roll Holder
13	–	Idle Pick Up Gear
14	–	One Way Clutch
15	–	Retard Roller

11 { 12 - 15



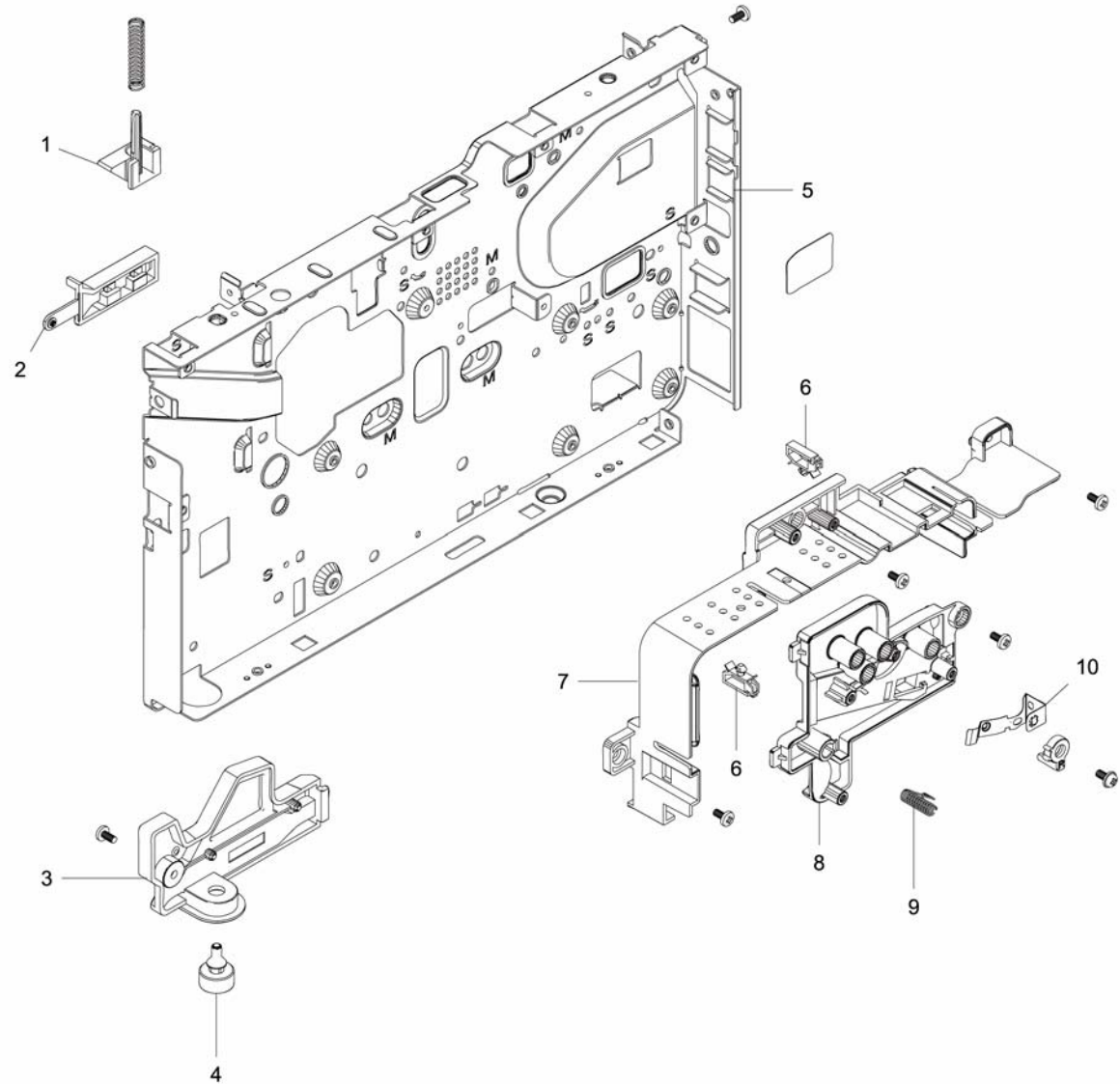
PL 4.6 Left Main Frame

Item	Part	Description
1	—	Left Rear Guide
2	127N07865	Main Drive Motor
3	—	Fuser Drive Out Gear
4	—	Knock Up Left Guide
5	—	Left Developer Guide Plate
6	—	Left Frame
7	—	Shaft Bushing
8	007N01802	Paper Feed Idler Gear
9	—	Idler Gear
10	—	Pivot Frame
11	—	Idler Gear
12	—	Fuser Locking Lever
13	—	Hub Clutch Gear
14	—	Feed Gear
15	—	Feed Gear 2
16	—	Cam Coupler
17	—	Coupling Lever
18	007N01803	Main Drive Unit
19	—	Harness Cover



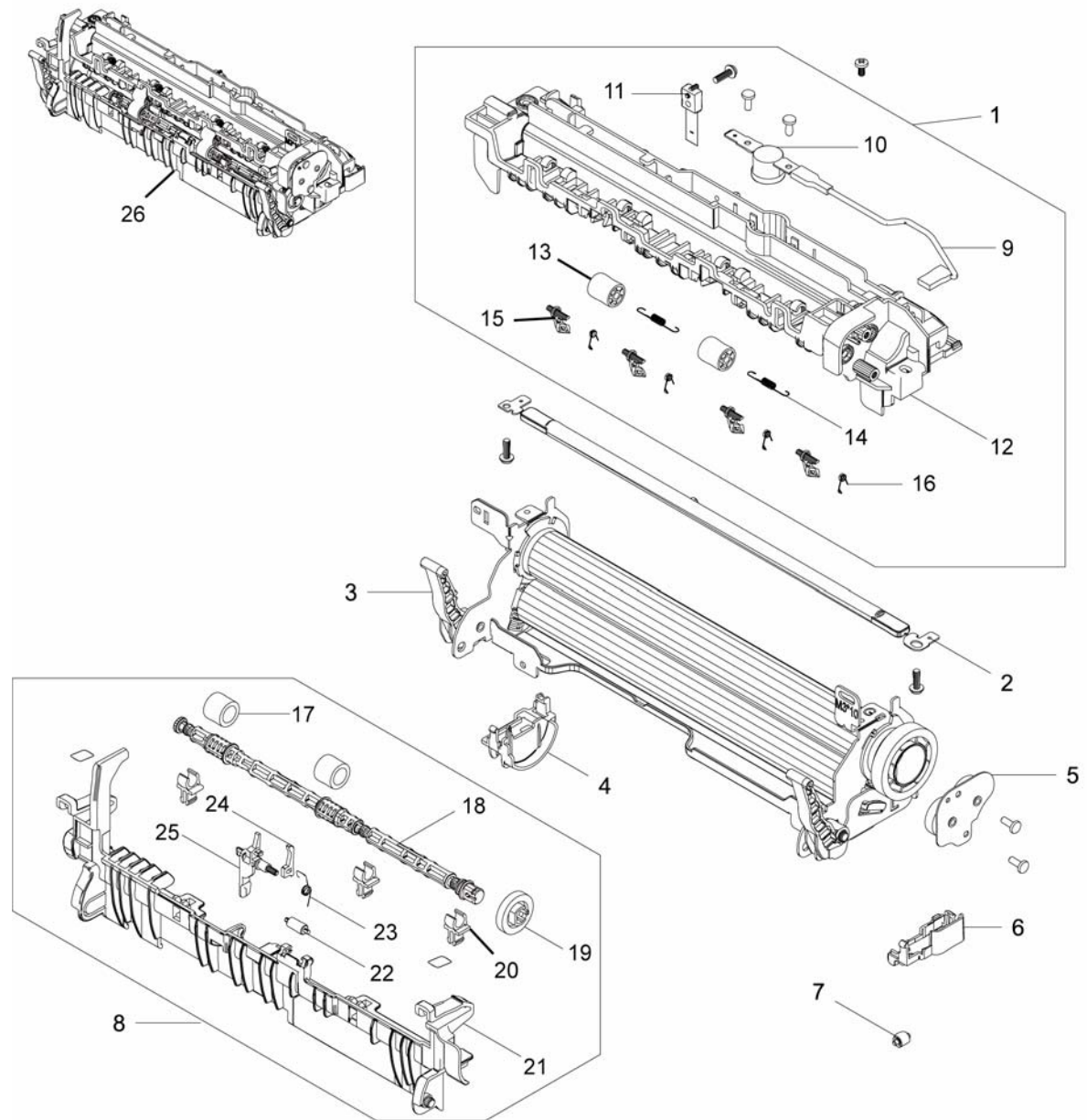
PL 4.7 Right Main Frame

Item	Part	Description
1	–	Right Developer Guide Plate
2	–	Rear Guide
3	–	Lower Guide
4	–	Foot
5	–	Right Frame
6	–	Cable Clamp
7	–	LVPS Cover
8	–	Developer Right Guide
9	–	Spring
10	–	Ground Clip



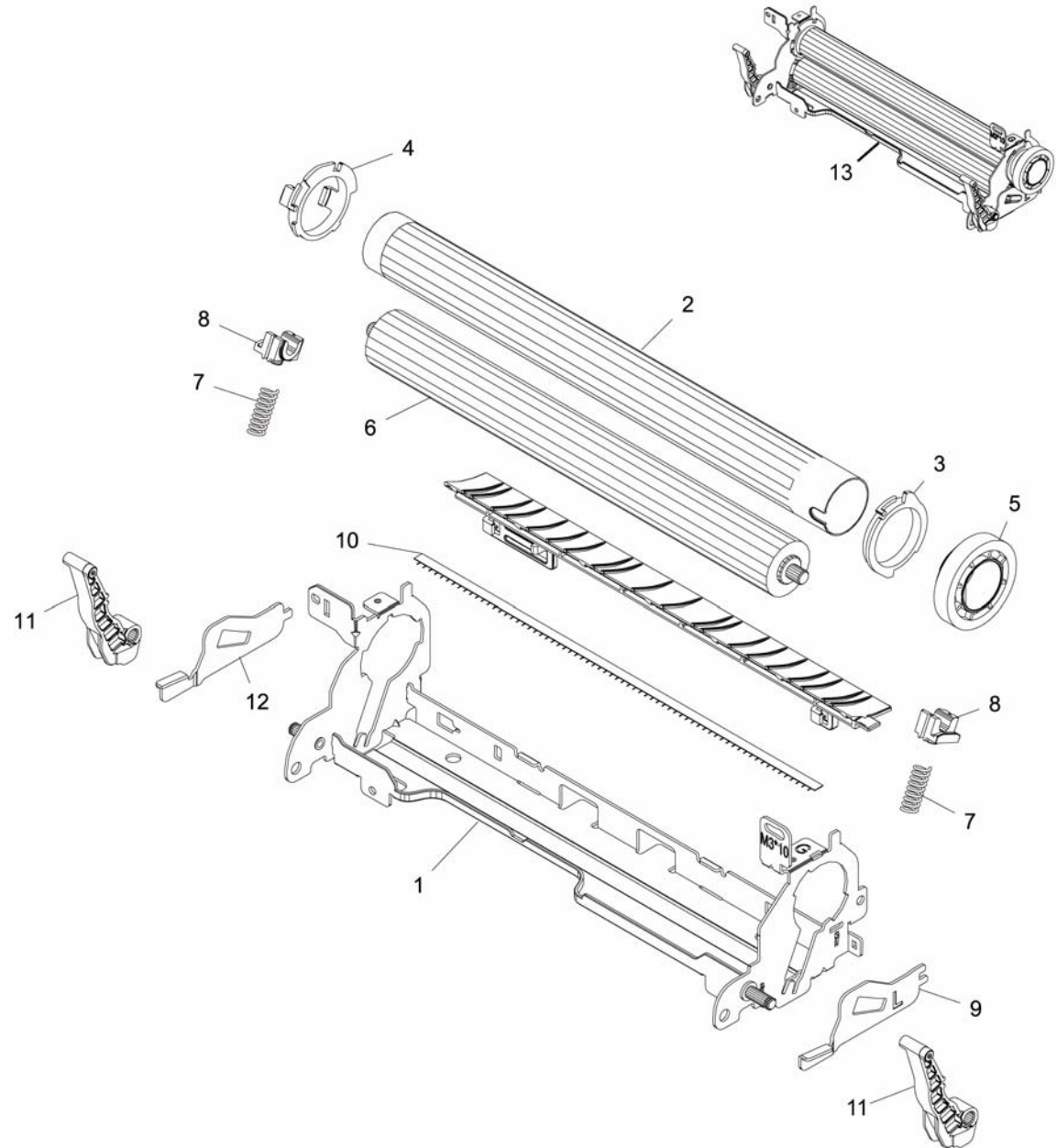
PL 5.1 Fuser

Item	Part	Description
1	–	Upper Fuser
2	–	Fuser Lamp
3	–	Lower Fuser
4	–	Right Lamp Cap
5	–	Fuser Exit Drive
6	–	Left Lamp Cap
7	–	Fuser Gear Stopper
8	–	Fuser Rear
9	–	Fuser Joint Harness
10	–	Thermostat
11	–	Thermistor
12	–	Fuser Cover
13	–	Exit Roller
14	–	Spring
15	–	Guide
16	–	Spring
17	–	Exit Roller
18	–	Exit Shaft
19	–	Exit Gear
20	–	Bushing
21	–	Rear Guide
22	–	Exit Idle Roller
23	–	Spring
24	–	Actuator Holder
25	–	Exit Sensor Actuator
26	126N00430	Fuser Module 110V
–	126N00431	Fuser Module 220V



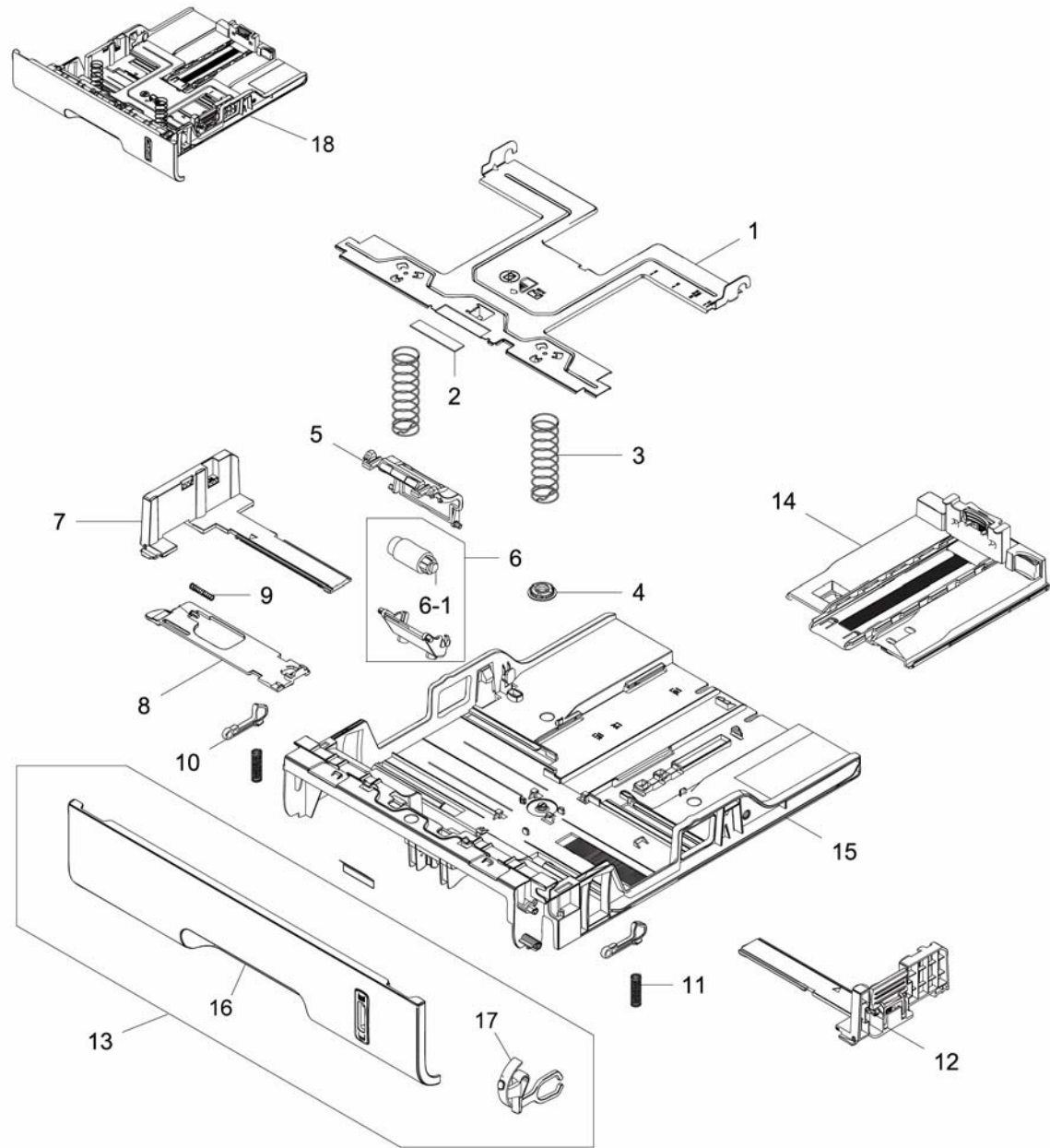
PL 5.2 Lower Fuser

Item	Part	Description
1	–	Fuser Frame
2	–	Heat Roller
3	–	Left Bushing
4	–	Right Bushing
5	–	Gear
6	–	Roller
7	–	Spring
8	–	Bushing
9	–	Left Jam Lever Link
10	–	Antistatic Brush
11	–	Jam Lever
12	–	Paper Guide Holder
13	–	Lower Fuser Assembly



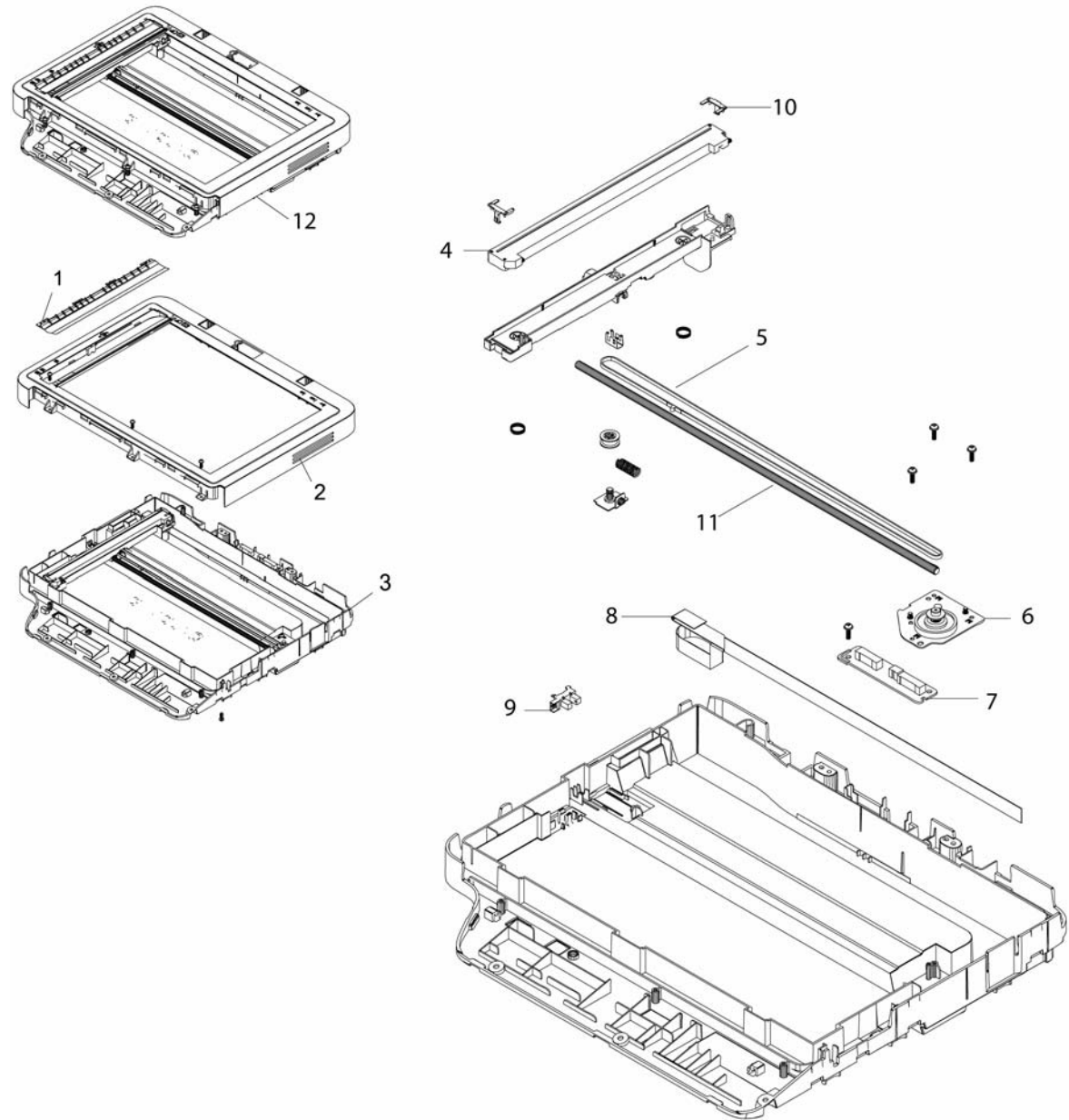
PL 6.1 Paper Tray

Item	Part	Description
1	–	Lift Plate
2	–	Pad
3	–	Spring
4	–	Pinion Gear
5	–	Retard Roll Cover
6	050N00683	Retard Roll Assembly
7	–	Left Paper Guide
8	–	Latch Plate
9	–	Spring
10	–	Paper Tray Latch
11	–	Spring
12	–	Right Paper Guide
13	–	Paper Tray Handle
14	–	Paper Tray Rear Guide
15	–	Paper Tray Frame
16	–	Paper Tray Handle
17	–	Paper Indicator
18	050N00682	Paper Tray



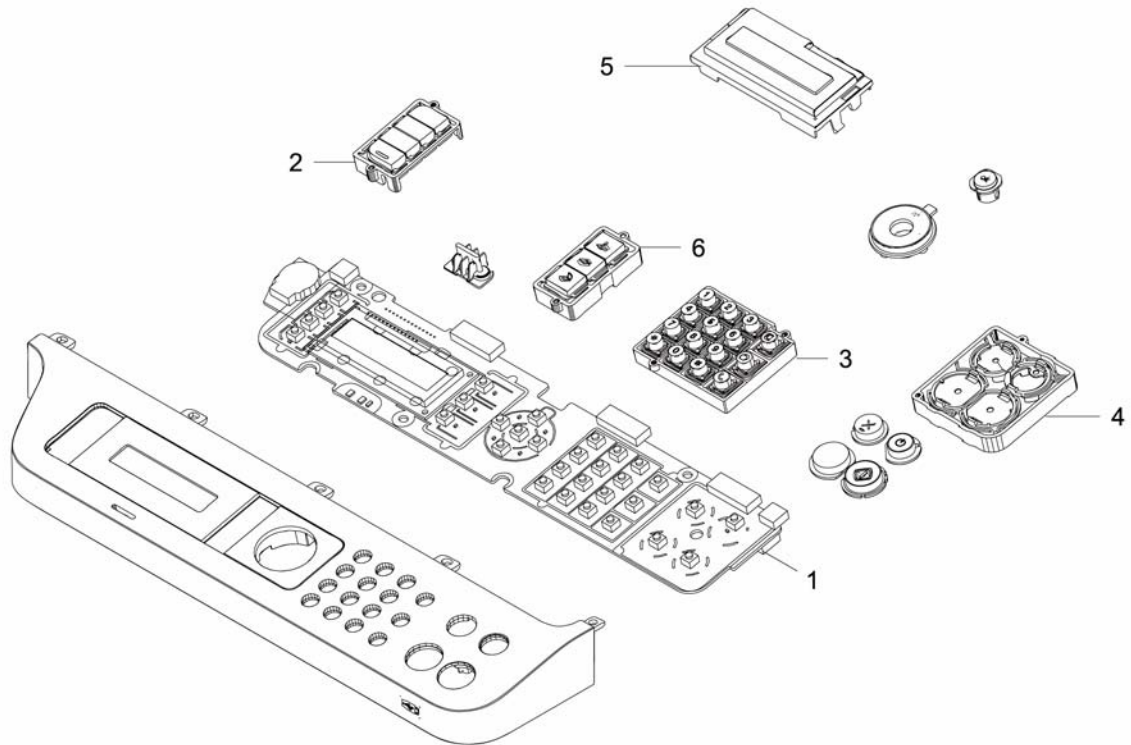
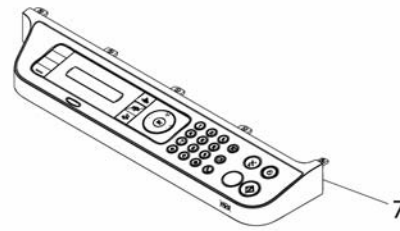
PL 7.1 Scanner Module

Item	Part	Description
1	–	Paper Guide
2	–	Upper Scanner Frame
3	–	Lower Scanner Frame
4	–	Contact Image Sensor (CIS)
5	–	Drive Belt
6	–	Scanner Drive Motor
7	–	Scanner PWB
8	–	Flat Cable
9	–	Sensor
10	–	CIS Holder
11	–	CIS Guide Shaft
12	090N00182	Scanner Module



PL 8.1 Control Panel

Item	Part	Description
1	140N63722	Control Panel PWB
2	–	Function Keypad
3	–	Number Key Pad
4	–	Key Holder Cover
5	–	LCD Cover
6	–	FAX Key
7	140N63728	Control Panel Assembly -3225 DNI (Dup / NW / Wifi)
–	140N63729	Control Panel Assembly -3225 DN (Dup / NW)
–	140N63730	Control Panel Assembly -3215 NI (NW / Wifi)



Part Number Index

Table 1 Part Number Index

Part Number	Part List
001N00546	PL 4.3
002N03157	PL 2.2
002N03158	PL 2.2
002N03167	PL 2.1
002N03172	PL 2.1
002N03175	PL 2.1
002N03182	PL 2.1
003N01117	PL 1.1
004N00286	PL 2.2
005N01172	PL 1.1
006N01361	PL 4.3
007N01802	PL 4.6
007N01803	PL 4.6
011N00581	PL 4.1
022N02795	PL 4.2
022N02796	PL 4.2
022N02797	PL 4.4
022N02799	PL 1.1
022N02800	PL 1.2
022N02801	PL 1.2
022N02802	PL 4.5
022N02803	PL 4.1
050N00680	PL 1.1
050N00681	PL 4.4
050N00682	PL 6.1
050N00683	PL 6.1

Table 1 Part Number Index

Part Number	Part List
062N00292	PL 4.1
090N00182	PL 7.1
105N02299	PL 4.1
105N02300	PL 4.1
105N02301	PL 4.1
117N01969	PL 4.1
120N00545	PL 4.4
120N00548	PL 4.4
121N01247	PL 4.1
121N01248	PL 4.1
126N00430	PL 5.1
126N00431	PL 5.1
127N07864	PL 1.2
127N07865	PL 4.6
130N01758	PL 4.3
130N01758	PL 4.5
130N01759	PL 4.4
130N01760	PL 4.5
140N63714	PL 1.1
140N63715	PL 1.1
140N63716	PL 1.1
140N63722	PL 8.1
140N63726	PL 2.2
140N63727	PL 1.1
140N63728	PL 8.1
140N63729	PL 8.1
140N63730	PL 8.1