

■ PARTS GUIDE

[Note]

The AR-5015N / AR-5120 Parts Guide describes only changed from AR-163 Parts Guide.

For the common parts, please refer to the AR-163 Parts Guide (Code: 00ZAR162//P1)

DEFINITION

The definition of each Rank is as follows and also noted in the list

- A: Parts necessary to be stocked as High usage parts.
 - B: Parts necessary to be stocked as Standard usage parts.
 - C: Low usage parts.
 - D: Parts necessary for refurbish.
 - E: Unit parts recommended to be stocked for efficient after sales service.
- Please note that the lead time for the said parts may be longer than normal parts.
- S: Consumable parts.

Please note that the following parts used in Copier under the same description are classified into A or B Rank depending upon the place used.

Example: Gear made of Metal, Sprocket, Bearing, Belt made of Rubber, Spring clutch mechanism.

ARank : The parts which may be with the revolution or loading.

BRank : Parts similar to A Rank parts, but are not included in Rank A.

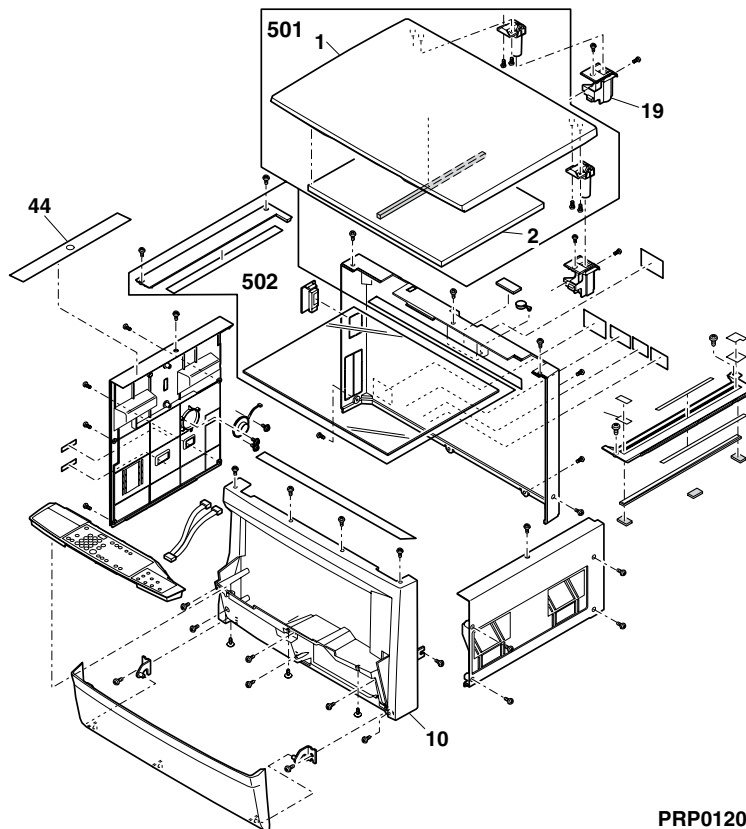
Because parts marked with "△" is indispensable for the machine safety maintenance and operation, it must be replaced with the parts specific to the product specification.

- Other than this Parts Guide, please refer to documents Service Manual (including Circuit Diagram) of this model.
- Please use the 13 digit code described in the right hand corner of front cover of the document, when you place an order.
- For U.S. only-Use order codes provided in advertising literature. Do not order from parts department.

1 Exteriors

NO.	PARTS CODE	PRICE RANK	NEW MARK	PART RANK	DESCRIPTION
1	GCOVH0010QSZ4	BC		D	OC cover
2	PSHEZ0058QSZ1	AU		C	OC sheet
10	CCAB-0012QS0W	BA		D	Front exterior (AR-5015N)
	CCAB-0012QS1F		N	D	Front exterior (AR-5120)
19	PGIDM0054QSZ1	AG		C	Hinge guide L
44	TLABH0279QSZ1	AF	N	D	Operation label
501	CCOVH0010RS51	BG		D	OC cover unit
502	CFIX-0008RS56		N	D	Table unit

1 Exteriors

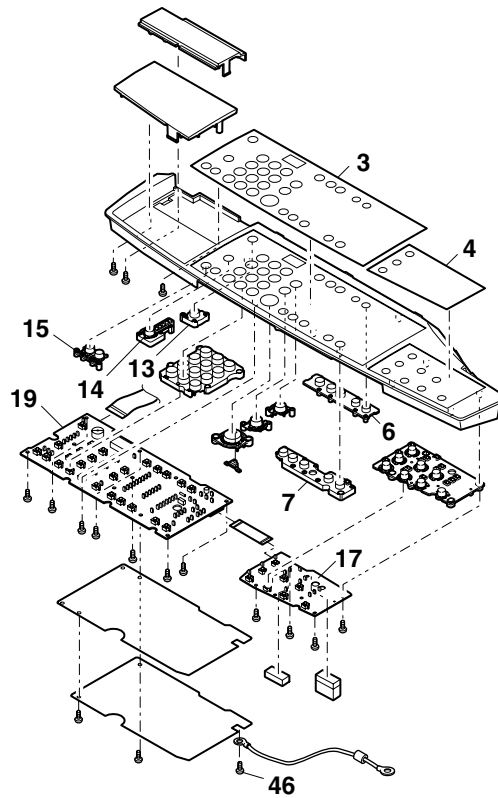


PRP01208

2 Operation panel section

NO.	PARTS CODE	PRICE RANK	NEW MARK	PART RANK	DESCRIPTION
3	HPNLH0021QS12	AT	N	D	Main Deco.panel (AR-5015N)
	HPNLH0021QS13	AT	N	D	Main Deco.panel (AR5120)
4	HPNLH0022QSZ3	AK	N	D	DUP Deco.panel
6	JBTN-0018QSZZ	AE		C	Function key
7	JBTN-0029QSZZ	AE		C	Select key
13	JBTN-0026QSZZ	AE		C	Interrupt key
14	JBTN-0030QSZZ	AD		C	Mode select key
15	JBTN-0027QSZZ	AD		C	Density select key
17	CPWBF0025QSE3	AH		E	ERDH operation PWB
19	CPWBF0024QSE6	BH	N	E	COPY operation PWB (AR-5015N)
	CPWBF0024QSE7		N	E	COPY operation PWB (AR-5120)
46	XEPSD30P08X00	AA		C	Screw(3x8X)

2 Operation panel section

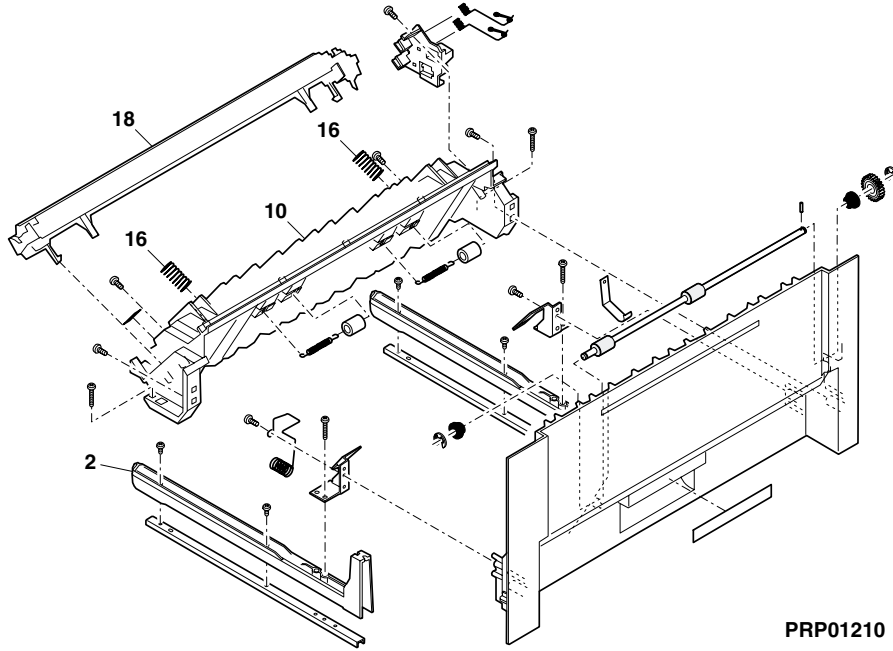


PRP01209

3 Side door unit

NO.	PARTS CODE	PRICE RANK	NEW MARK	PART RANK	DESCRIPTION
2	LRALP0004QSZ1	AH		C	Right door rail
10	LFRM-0016QSZ3	AQ		C	Right door inner N
16	MSPRC0082QSZ1	AC		C	Pressure spring
18	CHLDZ0030RS51	BA		E	TC unit

3 Side door unit

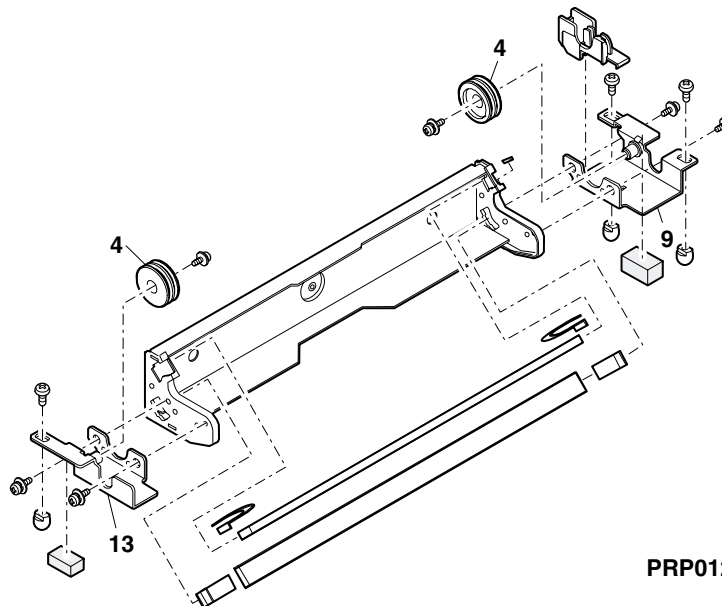


PRP01210

4 2nd,3rd mirror unit

NO.	PARTS CODE	PRICE RANK	NEW MARK	PART RANK	DESCRIPTION
4	NPLYZ0017QSZZ	AE		C	W pulley
9	CPLTM0156QS02	AH		B	Pulley fixing plate R
13	CPLTM0155QS02	AH		B	Pulley fixing plate F
	(Unit)				
901	CMIR-0008QS32	BB		E	2nd,3rd mirror unit

4 2nd,3rd mirror unit

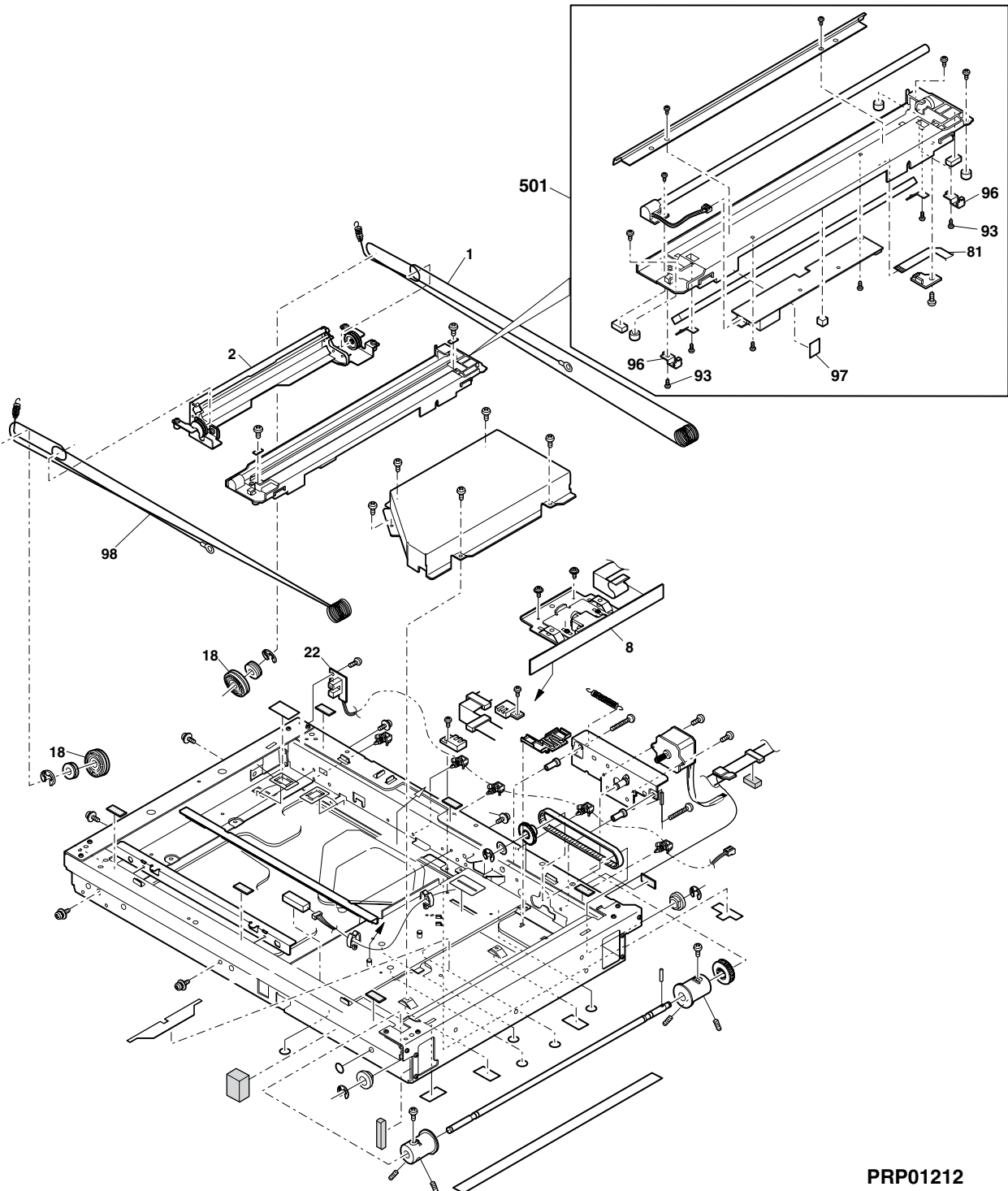


PRP01211

5 Optical unit

NO.	PARTS CODE	PRICE RANK	NEW MARK	PART RANK	DESCRIPTION
1	PWIR-0005QSZ1	AQ		C	MB wire F
2	CMIR-0008QS32	BB		E	2nd,3rd mirror unit
8	CLNS-0003RS53	BR		E	Lens unit
18	NPLYZ0016QSZZ	AF		C	Pulley
22	CPWBF1177DS63	AR		E	MHPS PWB
81	DHAI-0200QSZZ	AS		C	CL harness
93	XEBSD30P06000	AA		C	Screw(3x6)
96	LPLTM4715QSZ1			C	Wire fixing plate F
97	TCAUH0933FCZZ	AB		C	High temperature label
98	PWIR-0006QSZZ	AQ		C	MB wire R
501	CREFL0004QS33	BL		E	Copy lamp unit

5 Optical unit

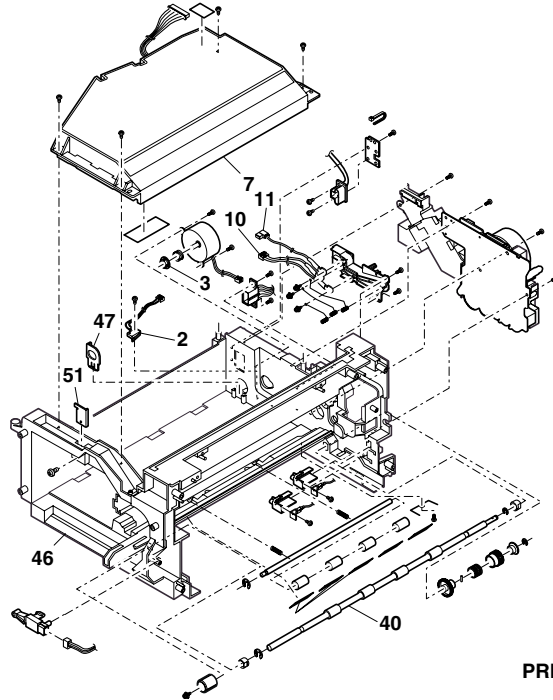


PRP01212

6 Middle frame unit

NO.	PARTS CODE	PRICE RANK	NEW MARK	PART RANK	DESCRIPTION
2	CSW-M0007RS51	AQ		B	Inter lock switch unit
3	NCPL-0007QSZ1	AC		C	Hopper coupling
7	DUNTK0041RS14	BG		E	LSU unit
10	CHAI-0109RS51	AN		E	GB-MCFB harness unit
11	CHAI-0107RS51	AG		E	MC harness unit
40	NROLP0032QSZ2	AT		C	PS trnsport roller
46	LFRM-0024QSZ3	BC		D	Middle frame
47	LPINS0301FCZZ	AD		C	DV guide pin
51	LANGT0003QSZ1	AC		C	SRU fixing angle

6 Middle frame unit

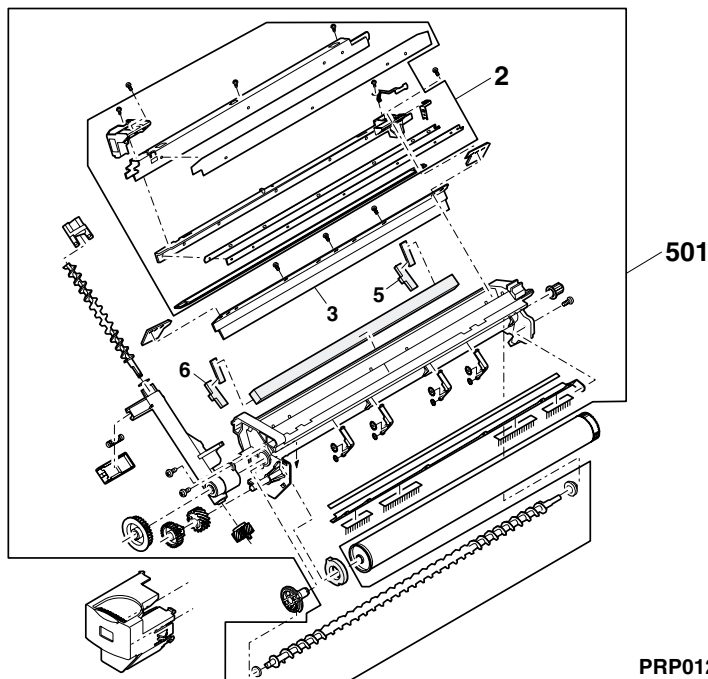


PRP01213

7 Process unit

NO.	PARTS CODE	PRICE RANK	NEW MARK	PART RANK	DESCRIPTION
2	CHLDZ0035RS51	BH		E	MC holder unit
3	UCLEZ0009QSZ1	AQ		C	Cleaning blade
5	PSEL-0130QSZZ	AF		C	Seal R
6	PSEL-0129QSZZ	AF		C	Seal F
501	CFRM-0021RS67	BK		D	Process frame unit

7 Process unit

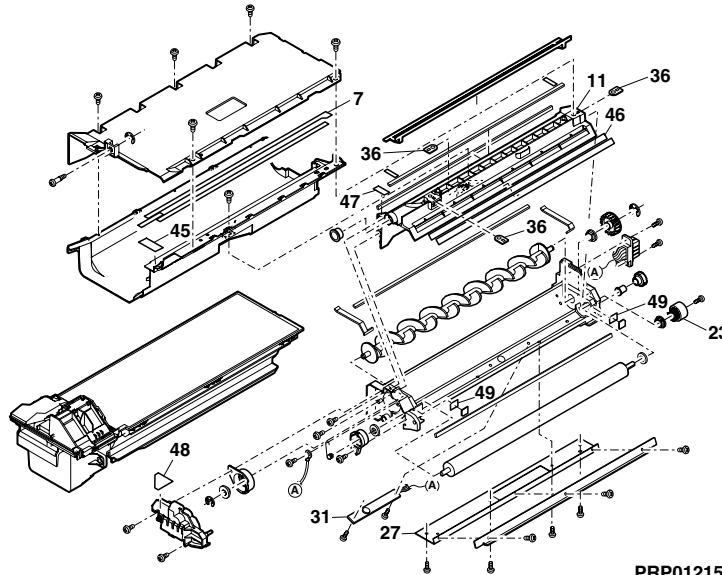


PRP01214

8 DV cartridge unit

NO.	PARTS CODE	PRICE RANK	NEW MARK	PART RANK	DESCRIPTION
7	PSEL-0067QSZ4	AG		C	TG seal LDAR
11	PCOVP0072QS12	AH		D	DV cover unit
23	NGERH0145QSZ1	AD		C	DV gear
27	LPLTM0002YSZ1	AP		C	Doctor reinforce plate
31	RDTCM0001YSZZ	AZ		C	ATC sensor
36	LPLTM6022FCZZ	AC		C	M4 plate
45	PSEL-0105QSZZ	AA		C	TN seal FR
46	PSHEP0262QSZZ	AC		C	DV-UDN sheet
47	PSEL-0114QSZZ	AC		C	DV-MKT-FA@seal
48	PSEL-0115QSZZ	AD		C	DV-MKT-F2A@seal
49	PSHEP0324QSZZ	AC		C	DVB-sheet-FBR

8 DV cartridge unit

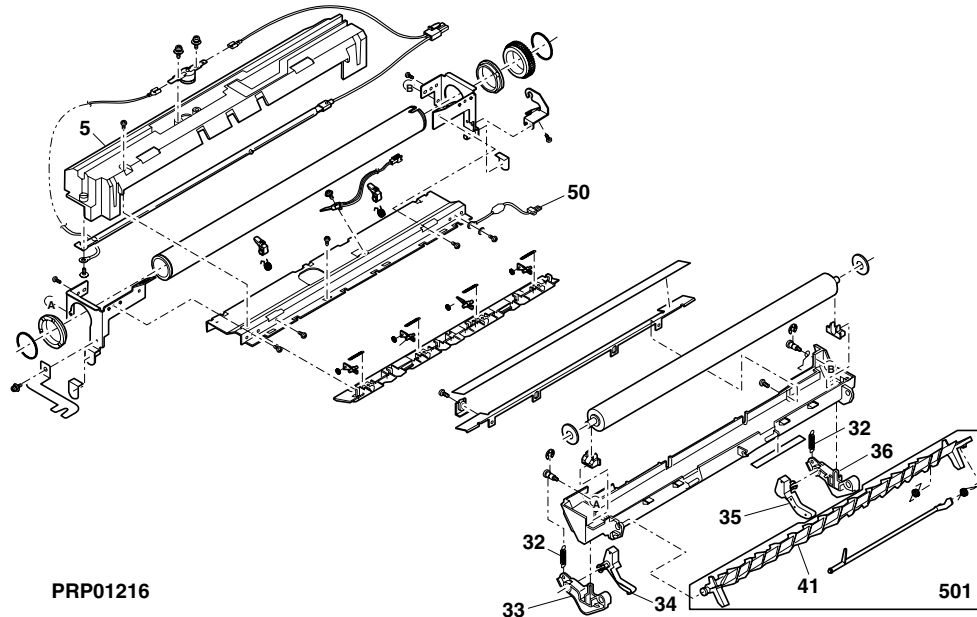


9 Fusing unit

PRP01215

NO.	PARTS CODE	PRICE RANK	NEW MARK	PART RANK	DESCRIPTION
5	PCOVP0029QSZ2	AT		D	Fusing cover
32	MSPRT0089QSZ2	AC		C	Pressure spring B
33	MLEVP0018QSZ1	AF		C	Fusing pressure lever F
34	MLEVP0019QSZ3	AE		C	Release lever F
35	MLEVP0020QSZ3	AE		C	Release lever R
36	MLEVP0017QSZ1	AF		C	Fusing pressure lever R
41	LPLTP0060QSZ3	AM		C	Reverse gate
50	PBRSR0004QSZ1	AD		C	Discharger brush
501	CPLTP0060RS52	BU		B	Reverse gate unit
	(Unit)				
901	DUNTW0037RS24	BV		E	Fusing unit(230V series)

9 Fusing unit



PRP01216

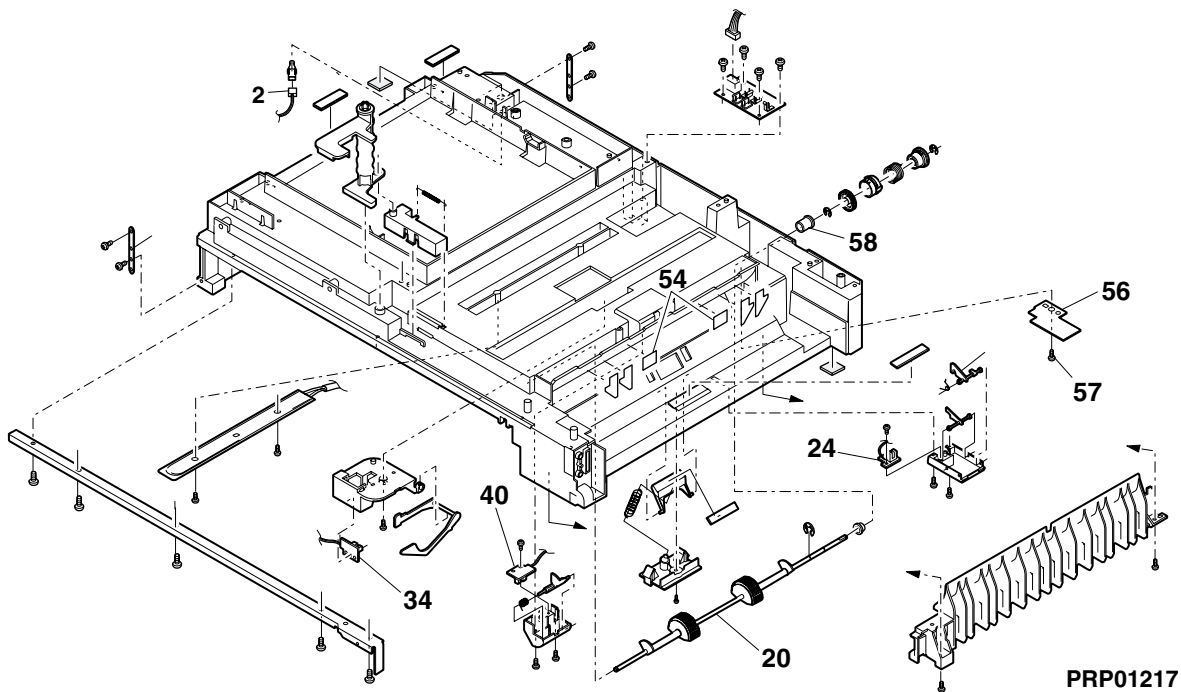
10 Main driving unit

NO.	PARTS CODE	PRICE RANK	NEW MARK	PART RANK	DESCRIPTION
5	DHA i - 0 3 0 9 Q S Z Z	AF		C	Main motor harness
7	RMOTP0039QSZZ	BF		B	Main motor
28	NGERH0008QSZ3	AL		C	Gear(55/19T)
501	CGERH0011RS51	AE		E	MG gear unit

11 Base plate unit 1

NO.	PARTS CODE	PRICE RANK	NEW MARK	PART RANK	DESCRIPTION
2	DHA i - 0 0 9 1 Q S Z Z	AE		C	Tray SW harness (AR-5015N)
20	CSFTZ0066RS71	AU		B	Paper feeding roller
24	CPWBF1177DS66	AR		E	Manual paper feeding sensor PWB
34	CPWBF1177DS65	AR		E	Tray sensor PWB
40	CPWBF1177DS67	AR		E	PS sensor PWB
54	PSHEZ0196QSZ1	AD		C	Manual paper guide mylar
56	GFTA-0005QSZZ	AC		C	2nd cover (AR-5015N)
57	XEBSD40P12000	AA		C	Screw(3x12)
58	PCLR-0010QSZZ	AC		C	Collar

11 Base plate unit 1

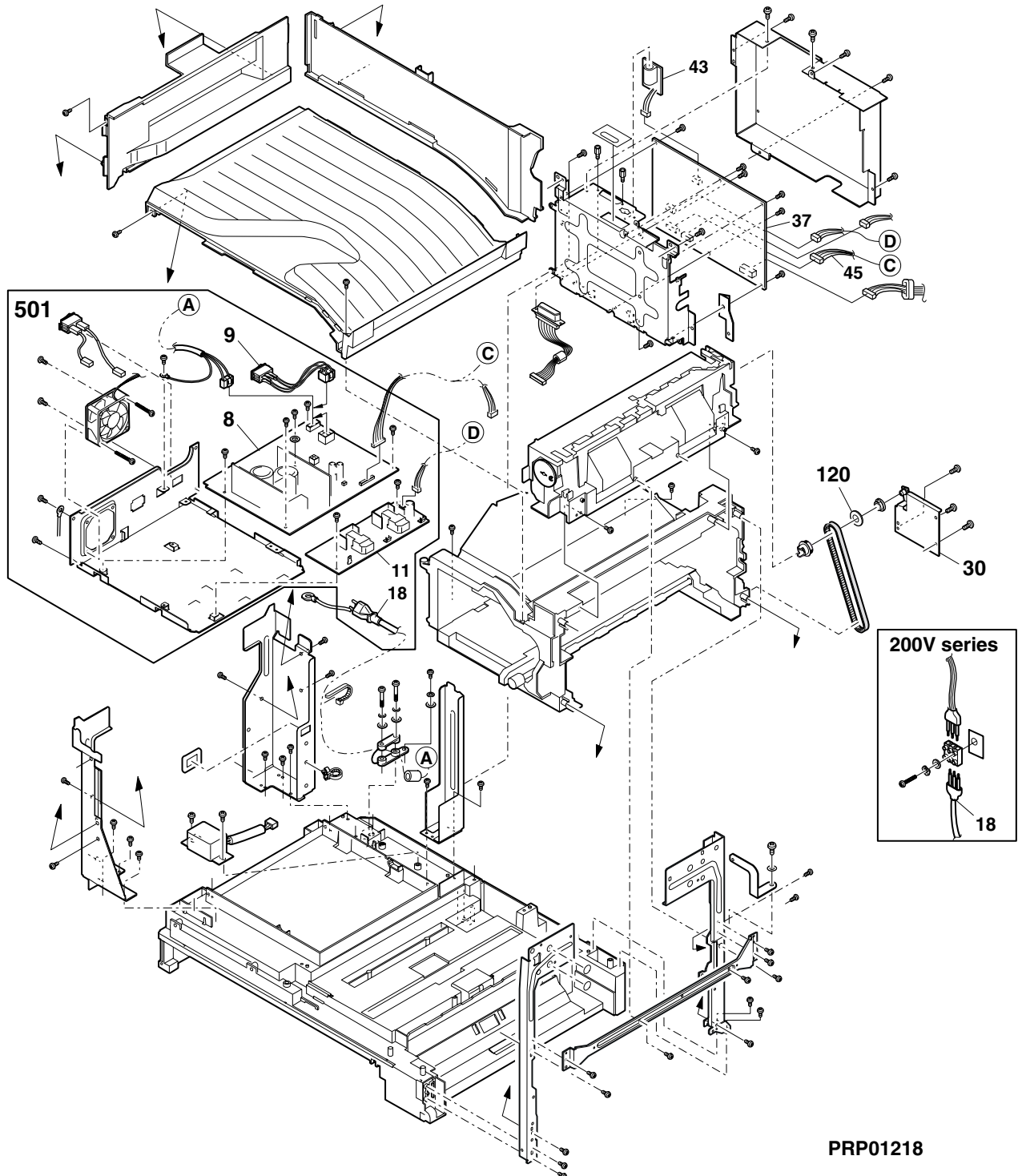


PRP01217

12 Base plate unit 2

NO.	PARTS CODE	PRICE RANK	NEW MARK	PART RANK	DESCRIPTION
△ 8	RDENC0009QSZZ	BK		E	Power supply unit(230V series)
9	DUNTK0049RS19	BH		E	AC switch unit(230V series)
△ 11	RDENC0008QSZZ	BN		C	High voltage power supply unit
△ 18	DHAi-0142QSZ1	AQ		C	AC cord(230V)
30	CPLTM0071QS02	AL		C	Drive joint plate (AR-5015N)
37	CPWBX0096QSG6		N	E	MCU PWB (AR-5120)
	CPWBX0096QSG5	CA	N	E	MCU PWB (AR-5015N)
43	CPWBF0033QSE1	AP		E	RCU PWB
45	DHAi-0123QSZ1	AU		C	PS low voltage harness
120	LPFTF0001QSZZ	AC		C	Pulley flange
△ 501	DUNTK0050RS31	CC		E	Power supply unit(230V series)

12 Base plate unit 2

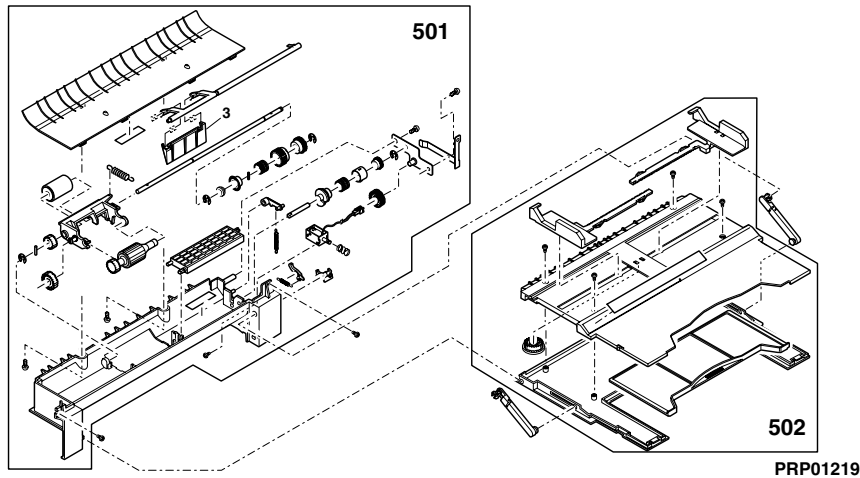


PRP01218

13 Manual paper feeding multi unit

NO.	PARTS CODE	PRICE RANK	NEW MARK	PART RANK	DESCRIPTION
3	LPLTP0056QSZ3	AD		C	Stopper plate
501	CFRM-0020RS51	BK		D	Manual paper feeding multi unit
502	CSOU-0009QS32	AZ		B	Manual paper tray unit

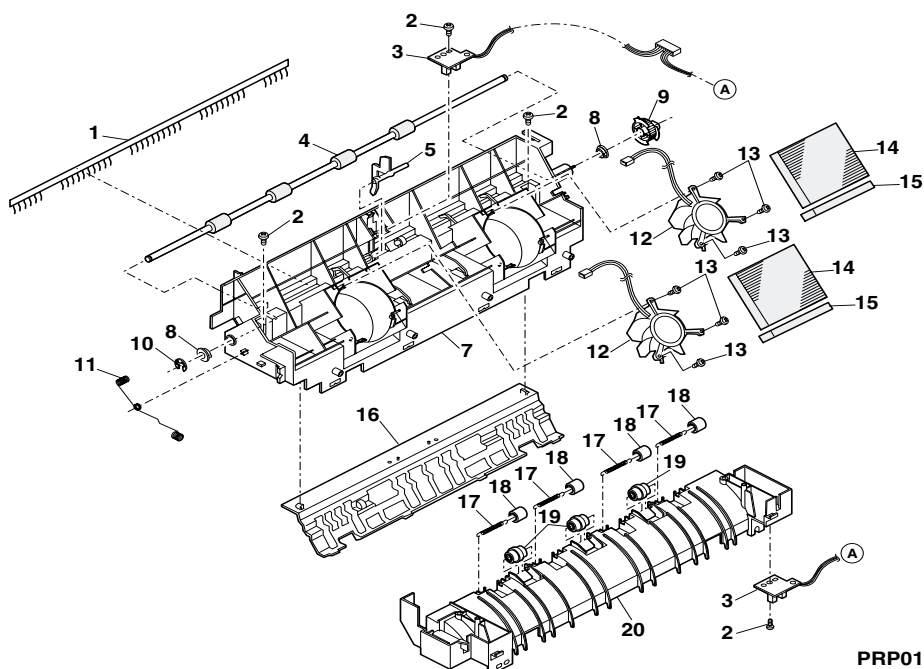
13 Manual paper feeding multi unit



14 Delivery frame unit

NO.	PARTS CODE	PRICE RANK	NEW MARK	PART RANK	DESCRIPTION
1	PBRSS0026QSZZ	AF		B	Discharge brush
2	XEBSD30P08000	AA		C	Screw(3x8)
3	CPWBF1177DS64	AS		E	Duplex/P-out sensor PWB
4	NROLR0092QSZZ	AM		C	Delivery roller
5	MLEVP0025QSZZ	AD		C	Delivery actuator
7	LFRM-0065QSZZ	AT		C	Delivery frame upper
8	NBRGM5006BCZZ	AB		C	Bearing
9	NPLYZ0029QSZZ	AD		C	Pulley(34T)
10	XRESP50-06000	AA		C	E-type ring
11	MSPRD0297QSZZ	AG		C	Earth spring
12	NFANP0002QSZZ	AX		B	Cooling fan
13	XEBSD20P06000	AA		C	Screw(2x6)
14	PFILZ0004QSZZ	AM		B	Ozone filter
15	PLMT-0027QSZZ	AC		C	Cleaning fan cushion
16	PGIDM0062QSZZ	AP		C	Delivery upper paper guide
17	MSPRT0229GCAZ	AC		C	Spring
18	NROLP0034QSZZ	AD		C	Delivery roller
19	NKOM-0002QSZZ	AC		C	Delivery collar
20	LFRM-0066QSZZ	AT		C	Delivery frame lower

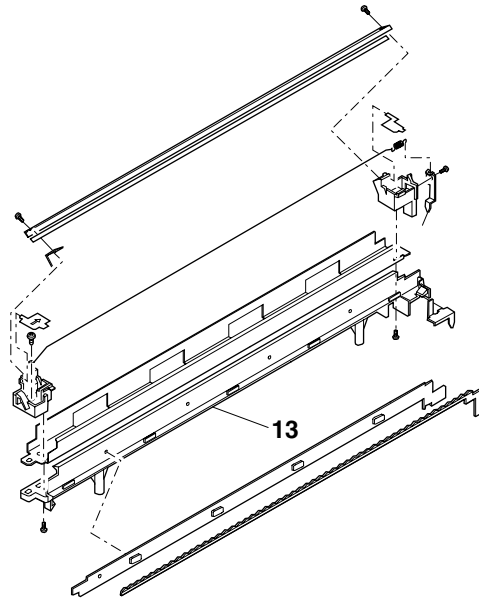
14 Delivery frame unit



15 TC case unit

NO.	PARTS CODE	PRICE RANK	NEW MARK	PART RANK	DESCRIPTION
13	L H L D Z 0 0 3 1 Q S Z 2	AH		C	Discharge holder
	(Unit)				
901	C H L D Z 0 0 3 0 R S 5 1	BA		E	TC unit

15 TC case unit

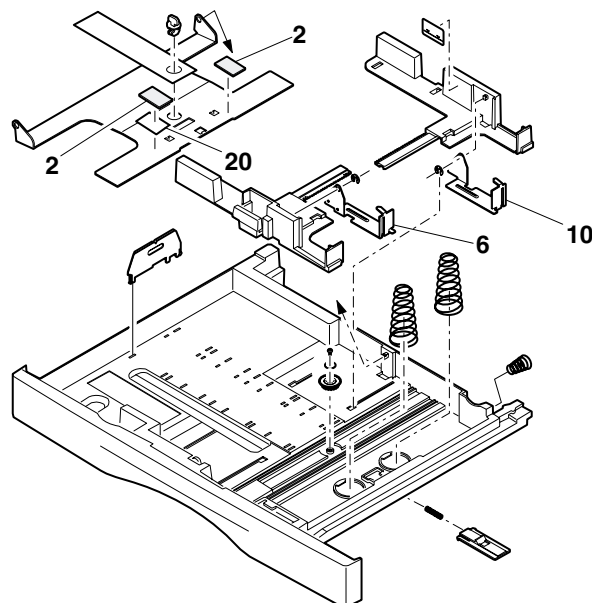


PRP01221

16 250 sheets tray unit

NO.	PARTS CODE	PRICE RANK	NEW MARK	PART RANK	DESCRIPTION
2	P S H E Z 0 0 5 4 Q S Z 1	AC		C	Rotation plate sheet
6	P T M E - 0 0 2 2 Q S Z 1	AL		C	250 Tray pawl F (AR-5120)
10	P T M E - 0 0 2 3 Q S Z 1	AL		C	250 Tray pawl R (AR-5120)
20	P S P A Z 0 0 2 2 Q S Z Z	AC		C	Rotation plate spacer
	(Unit)				
901	C C A S P 0 0 0 3 R S 5 2	BG		D	250 Tray unit

16 250 sheets tray unit

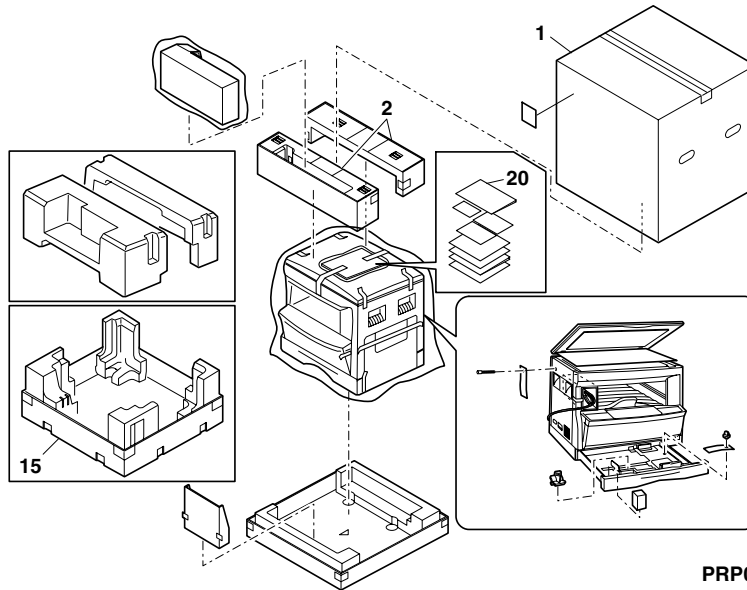


PRP01222

17 Packing material & Accessories

NO.	PARTS CODE	PRICE RANK	NEW MARK	PART RANK	DESCRIPTION
1	SPA KC0146RS19	BU	N	D	Packing case (AR-5120)
	SPA KC0396RS14		N	D	Packing case (AR-5015N)
2	SPA KA0144RSZZ		N	D	Top packing cushion (AR-5120)
15	CPA KA0084RS01	AF		B	Bottom add
20	T I N S E 0 8 0 6 Q S Z Z	AV	N	D	Operation manual(COPY)(English) (AR-5015N)

17 Packing material & Accessories



PRP01223

18 1ST Tray exteriors

NO.	PARTS CODE	PRICE RANK	NEW MARK	PART RANK	DESCRIPTION
16	CPWBF0019QSE3	AV		E	1ST tray interface PWB (AR-5120)

19 1ST Tray paper feeding unit

NO.	PARTS CODE	PRICE RANK	NEW MARK	PART RANK	DESCRIPTION
13	NROLP0044QSZZ	AQ		C	2ND transport roller (AR-5120)
35	MLEVP0039QSZZ	AE		C	PPDI actuator (AR-5120)
37	CSFTZ0067RS51	AU		B	Paper feeding roller
38	LFRM-0031QSZZ	AU		D	Paper feeding frame
501	CFRM-0031RS55		N	D	Paper feeding unit (1ST tray) (AR-5120)

20 MCU PWB

NO.	PARTS CODE	PRICE RANK	NEW MARK	PART RANK	DESCRIPTION
1	VH i 29F04016QS	AY	N	B	FLASH ROM(29F04016QS) (AR-5015N)[IC20]
	VH i 29F04026QS		N	B	FLASH ROM(29F04026QS) (AR-5120)[IC20]
14	VHV i CPN38 / - 1	AF		B	IC protector(ICPN38) [F1,2,3,6,7]
15	RH - i X0013QSZZ	AU		B	64MDRAM (AR-5120)[IC34]
18	QCNCW7191RC1B	AG		C	Connector(12pin) [CN12]
40	QSOCZ0002QSZZ	AD		C	8P DIP socket [IC4]
41	RCRSP0016QSZZ	AD		B	Crystal(19.6608MHz) [X1]
42	R CRUB0009QSZZ	AP		B	Crystal(22.000MHz) [X2]
43	R CRUB0010QSZZ	AP	N	B	Crystal(20.3094MHz) [X3]
53	VCCUCY1AJ105Z	AC		C	Capacitor(10WV 1μF) [C15,281]
60	VCEAGU1VW476M	AB		C	Capacitor(35WV 47μF) [C72,75,76,96]
73	VH i MC7805CT-1	AD		B	IC(MC7805CT-1) [IC15]
74	VH i 27C00401QS	AM	N	B	EEPROM(27C00401QS) [IC4]
75	VH i NJM2103M-1	AH		B	IC(NJM2103M) [IC2]
84	RH - i X0009QSZZ	AP		B	IC [IC18,19,21,22,35,37]
	(Unit)				
901	CPWBX0096QSG5	CA	N	E	MCU PWB (AR-5015N)
	CPWBX0096QSG6		N	E	MCU PWB (AR-5120)

21 COPY-Operation PWB

NO.	PARTS CODE	PRICE RANK	NEW MARK	PART RANK	DESCRIPTION
24	VRS-CY1JD103J	AA		C	Resistor(1/16W 10KΩ ±5%) [R11-16,20-24]
	VRS-CY1JD103J	AA		C	Resistor(1/16W 10KΩ ±5%) [R26-44,46-49,C13]
	(Unit)				
901	CPWBF0024QSE6	BH	N	E	COPY operation PWB (AR-5015N)
	CPWBF0024QSE7		N	E	COPY operation PWB (AR-5120)

22 Duplex/P-out sensor PWB

NO.	PARTS CODE	PRICE RANK	NEW MARK	PART RANK	DESCRIPTION
	(Unit)				
901	CPWBF1177DS64	AS		E	Duplex/P-out sensor PWB

23 MHPS PWB

NO.	PARTS CODE	PRICE RANK	NEW MARK	PART RANK	DESCRIPTION
	(Unit)				
901	CPWBF1177DS63	AR		E	MHPS PWB

24 Tray sensor PWB

NO.	PARTS CODE	PRICE RANK	NEW MARK	PART RANK	DESCRIPTION
	(Unit)				
901	CPWBF1177DS65	AR		E	Tray sensor PWB

25 Manual paper feeding sensor PWB

NO.	PARTS CODE	PRICE RANK	NEW MARK	PART RANK	DESCRIPTION
	(Unit)				
901	CPWBF1177DS66	AR		E	Manual paper feeding sensor PWB

26 PS sensor PWB

NO.	PARTS CODE	PRICE RANK	NEW MARK	PART RANK	DESCRIPTION
	(Unit)				
901	CPWBF1177DS67	AR		E	PS sensor PWB

27 RCU PWB

NO.	PARTS CODE	PRICE RANK	NEW MARK	PART RANK	DESCRIPTION
	(Unit)				
901	CPWBF0033QSE1	AP		E	RCU PWB

28 Power supply unit

NO.	PARTS CODE	PRICE RANK	NEW MARK	PART RANK	DESCRIPTION
1	0AV1690000106	AD		C	CERAMIC CAPACITOR(DE1007-486E222M-KH)(2200PF) [C20,C021]
2	0AV1690000088	AC		C	CERAMIC CAPACITOR(TRPE132R104K50)(0.1μF 50V) [C4,C019,C114,C012]
3	0AV1560000002	AD		C	FILM CAPACITOR(RE104-C)(0.1μF 250V) [C5,C006]
4	0AV1690000111	AD		C	CERAMIC CAPACITOR(DE1210-2E222M-KX)(2200PF) [C1,C003,C007]
5	0AV1480000083	AC		C	FILM CAPACITOR(ECQB1H102JF4)(1000PF 50V) [C8,C023]
6	0AV1480000079	AC		C	FILM CAPACITOR(ECQB1H103JF4)(0.01μF 50V) [C9,0014]
7	0AV1390000198	AR	N	C	AL-ELECTROLYTIC CAPACITOR(LLS2G151MHLZ)(150μF 400V) [C10]

28 Power supply unit

NO.	PARTS CODE	PRICE RANK	NEW MARK	PART RANK	DESCRIPTION
8	0AV1610000091	AC		C	CERAMIC CAPACITOR(DE0905-979R102K1K)(1000PF 1KV) [C11,C101]
9	0AV1390000184	AC		C	AL-ELECTROLYTIC CAPACITOR(UPJ1H2R2MDH)(2.2μF 50V) [C106]
10	0AV1390000107	AC		C	Aluminum Electrolytic capacitor(0.47μF 50V) [C13,C112]
11	0AV1610000108	AD		C	CERAMIC CAPACITOR(DE1307-486R222K1K)(2200PF 1KV) [C15]
12	0AV1390000108	AC		C	Aluminum Electrolytic capacitor(22μF 35V) [C17,C018,C107]
13	0AV1390000177	AC		C	AL-ELECTROLYTIC CAPACITOR(UPJ1E221MPH)(220μF 25V) [C102]
14	0AV1390000181	AE		C	AL-ELECTROLYTIC CAPACITOR(UHD1A102MPR)(1000μF 10V) [C103,C104]
15	0AV1390000110	AF		C	AL-ELECTROLYTIC CAPACITOR(UPJ1V681MHH)(680μF 35V) [C105,C117]
16	0AV1610000109	AC		C	CERAMIC CAPACITOR(DE0705-979R471K1K)(470PF 1KV) [C113]
17	0AV1560000005	AH		C	FILM CAPACITOR(RE474-C)(0.47μF 250V) [C24]
18	0AV1610000114	AD		C	CERAMIC CAPACITOR(DE0605-979SL680J2K)(68PF 2KV) [C16]
19	0AV3050086000	AB		B	Diode(1SS270) [D1,D014,D106,D108]
20	0AV3060027000	AH		B	Diode(D3SB60)(4A 600V) [D2]
21	0AV3060043000	AC		B	RECTIFIER(RLIN4005-E)(1A 600V) [D3,D004,D012,D015]
22	0AV3070058000	AC		B	Zener diode(RD5.6ES) [D5,D110]
23	0AV3050036000	AF		B	Diode(RG1C) [D6]
24	0AV3050019000	AF		B	Diode(ERA91-02) [D7,D008,D010]
25	0AV3070085000	AC		B	Zener diode(RD33ES) [D9]
26	0AV3070056000	AD		B	Zener diode(RD20ES)(400MW) [D11]
27	0AV3050097000	AG		B	DIODE(SF10LC20U)(10A 200V) [D101]
28	0AV3050099000	AD		B	DIODE(D1NL20U) [D102]
29	0AV3050098000	AG		B	DIODE(SF5SC4)(5A 40V) [D103]
30	0AV3070057000	AC		B	Zener diode(RD30ES) [D107,D013]
31	0AV3070074000	AC		B	Zener diode(RD13ES) [D109]
32	0AV3070081000	AC		B	Zener diode(RD3.9ES) [D112]
33	0AV3060044000	AC		B	DIODE(ERA1504)(1A 400V) [D114]
34	0AV3042605000	AN		B	FET(2SK2605)(5A 800V) [Q1]
35	0AV3001015090	AD		B	TRANSISTOR(2SA1015)(-0.15A - 50V) [Q2]
36	0AV3020143999	AD		B	TRANSISTOR(DTC114ESA)(0.1A 50V) [Q114]
37	0AV3021815090	AC		B	TRANSISTOR(2SC1815)(0.15A 50V) [Q104,Q106]
38	0AV2014733030	AB		C	FIXED CARBON FILM RESISTOR(RDF50S470KΩJ)(470KΩ 1/2W) [R1,R027]
39	0AV2041013020	AC		C	FUSING RESISTOR(RF25S100ΩJ)(100Ω 1/4W) [R2]
40	0AV2011213030	AB		C	FIXED CARBON FILM RESISTOR(RDF50S120ΩJ)(120Ω 1/2W) [R3]
41	0AV2041213030	AC		C	FUSING RESISTOR(RF50S120ΩJ)(120Ω 1/2W) [R4]
42	0AV2011043030	AA		C	Flame proof fixed carbon film resistor(100KΩ 1/2W) [R5,R006]
43	0AV2011543020	AC	N	C	FIXED CARBON FILM RESISTOR(RDF25S150KΩJ)(150KΩ 1/4W) [R7,R008]
44	0AV2013333010	AA		C	Flame proof fixed carbon film resistor(33KΩ 1/6W) [R10,R014]
45	0AV2011003020	AA		C	Flame proof fixed carbon film resistor(10?ohm? 1/4W) [R11]
46	0AV2091083042	AC		C	SPECIAL POWER RESISTOR(SPR1B0.1ΩJ)(0.1Ω 1W) [R12]
47	0AV2043303010	AB	N	C	FUSING RESISTOR(RF16S33ΩJ)(33Ω 1/6W) [R13]
48	0AV2011033010	AA		C	Flame proof fixed carbon film resistor(10KΩ 1/6W) [R15,R019,R023]
49	0AV2016833010	AA		C	Flame proof fixed carbon film resistor(68KΩ 1/6W) [R16]
50	0AV2011013010	AA		C	Flame proof fixed carbon film resistor(100Ω 1/6W) [R17]
51	0AV2021043062	AD		C	METAL OXIDE FILM RESISTOR(RSS3FB100KΩJ)(100KΩA@3W) [R18]
52	0AV2016803030	AA		C	Flame proof fixed carbon film resistor(1/2W 68ohm) [R20]
53	0AV2015633010	AA		C	Flame proof fixed carbon film resistor(1/6W 56K?ohm?) [R21]
54	0AV2011023010	AA		C	Flame proof fixed carbon film resistor(1KΩ 1/6W) [R22]
55	0AV2012243020	AA		C	Flame proof carbon resistor(220K?ohm? 1/4W) [R24,R025]
56	0AV2011033030	AB		C	FIXED CARBON FILM RESISTOR(RDF50S10KΩJ)(10KΩ 1/2W) [R101]
57	0AV2011833010	AA		C	Flame proof fixed carbon film resistor(18K?ohm? 1/6W) [R9]
58	0AV2014723010	AA		C	Flame proof fixed carbon film resistor(4.7KΩ 1/6W) [R116]
59	0AV2990007000	AC		C	Metal film resistor(2.2KΩ 1/6W) [R109,R111]
60	0AV2014713010	AA		C	Flame proof carbon resistor(470Ω 1/6W) [R103,R105,R110,R112]
61	0AV2011223030	AB	N	C	FIXED CARBON FILM RESISTOR(RDF50S1.2KΩJ)(1.2KΩ 1/2W) [R117,R118]
62	0AV2014733010	AA		C	Flame proof fixed carbon film resistor(47K?ohm? 1/6W) [R26]
63	0AV2012203010	AA		C	Flame proof fixed carbon film resistor(22ohm 1/6W) [R132]
64	0AV4070062000	AF		C	INDUCTOR(LF-4Z-E822) [L1,L002]
65	0AV4120002000	AC		C	Inductor(B-01-A) [L3,L101]
66	0AV4080010000	AP		C	INDUCTOR(DR-18728B) [L5,L007]
67	0AV4120013000	AC		C	INDUCTOR(T3140P3206536HW) [L104]
68	0AV4070065000	AQ		C	INDUCTOR(DRB25-16196A) [L6]
△	69	0AV4000135411		BD	TRANSFORMER(N-T01-354-D11) [T1]
△	70	0AV3160034000		AQ	TRIAC(TM1661PL(L)LF113) [TR1]
71	0AV5140022000	AF		B	POWER THERMISTOR(M10010T3C) [TH1]
72	0AV5190009000	AL		B	Varistor(470V)(127V) [X1]
73	0AV3180000004	AL		B	PHOTOTRIAC COUPLER(S21ME3Y) [PC1]
74	0AV3082561300	AF		B	Photo coupler(PS2561) [PC2,PC003]
75	0AV3090076000	AF		B	IC(MM1431ATT) [IC1,IC102]
76	0AV3090077000	AN		B	IC(FA3647P) [IC2]
77	0AV3090080000	AN	N	B	IC(PQ12RF11) [IC101]
78	0AV3090081000	AL	N	B	IC(UPC29M33HF) [IC103]
79	0AV5030126000	AG		C	CONNECTOR(B03P-VL) [CN1]
80	0AV5030132000	AL	N	C	CONNECTOR(B04P-VL) [CN2]
81	0AV5030133000	AF	N	C	CONNECTOR(B02P-XL) [CN3]
82	0AV5030134000	AL	N	C	CONNECTOR(B06P-VL) [CN4]
83	0AV5030135000	AG	N	C	CONNECTOR(B26B-PHDSS-B) [CN101]
84	0AV5030136000	AC	N	C	CONNECTOR(B3B-PH-K-S) [CN101]
85	0AV5080010000	AQ		B	Relay(FTR-H1AA024V) [RL1]
△	86	0AV5060085000		AF	FUSE(215SB-10AA-SB)(10A/250V) [F1,F003]
△	87	0AV5060083000		AF	FUSE(215SB-3R15AA-SB)(3.15A/250V) [F2]

28 Power supply unit

NO.	PARTS CODE	PRICE RANK	NEW MARK	PART RANK	DESCRIPTION
88	0AV5060092000	AE	N	A	FUSE(382RB4AR-ALT)(4A/250V) [F101,F102]
89	0AV5050005000	AA		C	Fuse holder(PFC5000-0203)
90	0AV5130008000	AC		B	Terminal(TP00370-41)
91	0AV7100003000	AE		C	Insulator(M-30AD-D-3)
92	0AV6114125811	AF		C	HEATSINK(LM41258)
93	0AV8117730414	AB		C	SCREW(NACPEW-B3x8ZF)(B3x8)
94	0AV8117730514	AB		C	Screw(M3x10)
95	0AV7414138611	AD	N	D	LABEL(LV41386)
96	0AV5110012000	AB		C	JUMPER WIRE(RJ-SKA-06)(6mm) [RJ702,RJ712,RJ723]
97	0AV5110001000	AA		C	Jumper wire(RJ-SCA-06)(M0.6 10mm) [RJ716,RJ719,RJ725]
98	0AV5110002000	AA		C	Jumper wire(RJ-SEA-06)(M0.6 15mm) [RJ703,RJ704,RJ706,RJ707]
	0AV5110002000	AA		C	Jumper wire(RJ-SEA-06)(M0.6 15mm) [RJ724,RJ727]
99	0AV5110004000	AA		C	Jumper wire(M0.6 20mm) [RJ705,RJ708,RJ709,RJ711]
	0AV5110004000	AA		C	Jumper wire(M0.6 20mm) [RJ717,RJ718]
100	0AV5190024000	AK		B	Arrestor(RA-102M-C6-Y) [Z1,Z002]
	(Unit)				
901	RDENC0009QSZZ	BK		E	Power supply unit(230V series)

33 ERDH OP PWB

NO.	PARTS CODE	PRICE RANK	NEW MARK	PART RANK	DESCRIPTION
	(Unit)				
901	CPWBF0025QSE3	AH		E	ERDH operation PWB

34 1ST Tray interface PWB

NO.	PARTS CODE	PRICE RANK	NEW MARK	PART RANK	DESCRIPTION
	(Unit)				
901	CPWBF0019QSE3	AV		E	1ST tray interface PWB (AR-5120)

■ Index

PARTS CODE	NO.	PRICE RANK	NEW MARK	PART RANK	
【C】					
CCAB-0012QS0W	1- 10	BA		D	
CCAB-0012QS1F	1- 10		N	D	
CCASP0003RS52	16-901	BG		D	
CCOVH0010RS51	1-501	BG		D	
CFIX-0008RS56	1-502		N	D	
CFRM-0020RS51	13-501	BK		D	
CFRM-0021RS67	7-501	BK		D	
CFRM-0031RS55	19-501		N	D	
CGERH0011RS51	10-501	AE		E	
CHAI-0107RS51	6- 11	AG		E	
CHAI-0109RS51	6- 10	AN		E	
CHLDZ0030RS51	15-901	BA		E	
"/	3- 18	BA		E	
CHLDZ0035RS51	7- 2	BH		E	
CLNS-0003RS53	5- 8	BR		E	
CMIR-0008QS32	4-901	BB		E	
"/	5- 2	BB		E	
CPAKA0084RS01	17- 15	AF		B	
CPLTM0071QS02	12- 30	AL		C	
CPLTM0155QS02	4- 13	AH		B	
CPLTM0156QS02	4- 9	AH		B	
CPLTP0060RS52	9-501	BU		B	
CPWBF0019QSE3	18- 16	AV		E	
"/	34-901	AV		E	
CPWBF0024QSE6	2- 19	BH	N	E	
"/	21-901	BH	N	E	
CPWBF0024QSE7	2- 19		N	E	
"/	21-901		N	E	
CPWBF0025QSE3	2- 17	AH		E	
"/	33-901	AH		E	
CPWBF0033QSE1	12- 43	AP		E	
"/	27-901	AP		E	
CPWBF1177DS63	23-901	AR		E	
"/	5- 22	AR		E	
CPWBF1177DS64	14- 3	AS		E	
"/	22-901	AS		E	
CPWBF1177DS65	11- 34	AR		E	
"/	24-901	AR		E	
CPWBF1177DS66	11- 24	AR		E	
"/	25-901	AR		E	
CPWBF1177DS67	11- 40	AR		E	
"/	26-901	AR		E	
CPWBX0096QSG5	12- 37	CA	N	E	
"/	20-901	CA	N	E	
CPWBX0096QSG6	12- 37		N	E	
"/	20-901		N	E	
CREFL0004QS33	5-501	BL		E	
CSFTZ0066RS71	11- 20	AU		B	
CSFTZ0067RS51	19- 37	AU		B	
CSOU-0009QS32	13-502	AZ		B	
CSW-M0007RS51	6- 2	AQ		B	
【D】					
DHAI-0091QS22	11- 2	AE		C	
DHAI-0123QSZ1	12- 45	AU		C	
DHAI-0142QSZ1	12- 18	AQ		C	
DHAI-0200QSZZ	5- 81	AS		C	
DHAI-0309QSZZ	10- 5	AF		C	
DUNTK0041RS14	6- 7	BG		E	
DUNTK0049RS19	12- 9	BH		E	
DUNTK0050RS31	12-501	CC		E	
DUNTW0037RS24	9-901	BV		E	
【G】					
GCOVH0010QSZ4	1- 1	BC		D	
GFTA-0005QSZZ	11- 56	AC		C	
【H】					
HPNLH0021QS12	2- 3	AT	N	D	
HPNLH0021QS13	2- 3	AT	N	D	
HPNLH0022QSZ3	2- 4	AK	N	D	
【J】					
JBTN-0018QSZZ	2- 6	AE		C	
JBTN-0026QSZZ	2- 13	AE		C	
JBTN-0027QSZZ	2- 15	AD		C	
JBTN-0029QSZZ	2- 7	AE		C	
JBTN-0030QSZZ	2- 14	AD		C	
【L】					
LANGT0003QSZ1	6- 51	AC		C	
LFRM-0016QSZ3	3- 10	AQ		C	
LFRM-0024QSZ3	6- 46	BC		D	

PARTS CODE	NO.	PRICE RANK	NEW MARK	PART RANK	
LFRM-0031QSZ2	19- 38	AU		D	
LFRM-0065QSZZ	14- 7	AT		C	
LFRM-0066QSZZ	14- 20	AT		C	
LHLDZ0031QSZ2	15- 13	AH		C	
LPFTF0001QSZZ	12-120	AC		C	
LPIINS0301FCZZ	6- 47	AD		C	
LPLTM0002YSZ1	8- 27	AP		C	
LPLTM4715QSZ1	5- 96			C	
LPLTM6022FCZZ	8- 36	AC		C	
LPLTP0056QSZ3	13- 3	AD		C	
LPLTP0060QSZ3	9- 41	AM		C	
LRALP0004QSZ1	3- 2	AH		C	
【M】					
MLEVP0017QSZ1	9- 36	AF		C	
MLEVP0018QSZ1	9- 33	AF		C	
MLEVP0019QSZ3	9- 34	AE		C	
MLEVP0020QSZ3	9- 35	AE		C	
MLEVP0025QSZ2	14- 5	AD		C	
MLEVP0039QSZ1	19- 35	AE		C	
MSPRC0082QSZ1	3- 16	AC		C	
MSPRD0297QSZZ	14- 11	AG		C	
MSPRT0089QSZ2	9- 32	AC		C	
MSPRT0229CAZ	14- 17	AC		C	
【N】					
NBRGM5006BCZZ	14- 8	AB		C	
NCPL-0007QSZ1	6- 3	AC		C	
NFANP0002QSZ1	14- 12	AX		B	
NGERH0008QSZ3	10- 28	AL		C	
NGERH0145QSZ1	8- 23	AD		C	
NKOM-0002QSZZ	14- 19	AC		C	
NPLYZ0016QSZZ	5- 18	AF		C	
NPLYZ0017QSZZ	4- 4	AE		C	
NPLYZ0029QSZZ	14- 9	AD		C	
NRÖLP0032QSZ2	6- 40	AT		C	
NRÖLP0034QSZZ	14- 18	AD		C	
NRÖLP0044QSZ2	19- 13	AQ		C	
NRÖLR0092QSZZ	14- 4	AM		C	
【P】					
PBRSR0004QSZ1	9- 50	AD		C	
PBRSS0026QSZZ	14- 1	AF		B	
PCLR-0010QSZZ	11- 58	AC		C	
PCOVP0029QSZ2	9- 5	AT		D	
PCOVP0072QS12	8- 11	AH		D	
PFILZ0004QSZZ	14- 14	AM		B	
PGIDM0054QSZ1	1- 19	AG		C	
PGIDM0062QSZZ	14- 16	AP		C	
PMLT-0027QSZZ	14- 15	AC		C	
PSEL-0067QSZ4	8- 7	AG		C	
PSEL-0105QSZZ	8- 45	AA		C	
PSEL-0114QSZZ	8- 47	AC		C	
PSEL-0115QSZZ	8- 48	AD		C	
PSEL-0129QSZZ	7- 6	AF		C	
PSEL-0130QSZZ	7- 5	AF		C	
PSHEP0262QSZZ	8- 46	AC		C	
PSHEP0324QSZZ	8- 49	AC		C	
PSHEZ0054QSZ1	16- 2	AC		C	
PSHEZ0058QSZ1	1- 2	AU		C	
PSHEZ0196QSZ1	11- 54	AD		C	
PSPAZ0022QSZZ	16- 20	AC		C	
PTME-0022QSZ1	16- 6	AL		C	
PTME-0023QSZ1	16- 10	AL		C	
PWIR-0005QSZ1	5- 1	AQ		C	
PWIR-0006QSZZ	5- 98	AQ		C	
【Q】					
QCNCW7191RC1B	20- 18	AG		C	
QSOCZ0002QSZZ	20- 40	AD		C	
【R】					
RCRSP0016QSZZ	20- 41	AD		B	
RCRUB0009QSZZ	20- 42	AP		B	
RCRUB0010QSZZ	20- 43	AP	N	B	
RDENC0008QSZZ	12- 11	BN		C	
RDENC0009QSZZ	12- 8	BK		E	
"/	28-901	BK		E	
RDTCM0001YSZZ	8- 31	AZ		C	
RH-iX0009QSZZ	20- 84	AP		B	
RH-iX0013QSZZ	20- 15	AU		B	
RMOTP0039QSZZ	10- 7	BF		B	
【S】					
SPAKA0144RSZZ	17- 2		N	D	
SPAKC0146RS19	17- 1	BU	N	D	
SPAKC0396RS14	17- 1		N	D	

