

# AR-287/337

## MODEL AR-407/507

## CONTENTS

1	Exteriors(Front cabinet etc.)	40	PCU PWB(AR-287,337,407)
2	Exteriors(Rear,Left side cabinet etc.)	41	PCU PWB(AR-507)
3	Operation panel unit	43	ICU PWB(AR-287,337,407)
5	Optical unit 1	44	ICU PWB(AR-507)
6	Optical unit 2	46	Operation control PWB
9	Frame section	53	DC Power supply PWB(100V series)
10	Rear frame 1 (PCU PWB,DC power PWB etc.)	54	DC Power supply PWB200Vseries (and 100V series AR-287,337)
11	Rear frame 1(AC PWB,Frame etc)	63	RSPF 2(AR-507)
12	Rear frame 2	64	RSPF 3(AR-507)
16	Fusing unit 1	65	RSPF 4(AR-507)
17	Fusing unit 2	66	RSPF 5(AR-507)
39	Packing material & Accessories	■	Index

This Parts Guide describes only the Different points from and added points to the AR-505 Parts Guide(00ZAR505//P1E).

Those which are not described in this manual are common with the AR-505 Parts Guide. Please refer to the AR-505 Parts Guide for them, Parts with a blank column of model name are common to all the models.

## DEFINITION

The definition of each Rank is as follows and also noted in the list

- A : Parts necessary to be stocked as High usage parts.
- B : Parts necessary to be stocked as Standard usage parts.
- C : Low usage parts.
- D : Parts necessary for refurbish.
- E : Unit parts recommended to be stocked for efficient after sales service.  
Please note that the lead time for the said parts may be longer than normal parts.
- S : Consumable parts.

Please note that the following parts used in Copier under the same description are classified into A or B Rank depending upon the place used.

Example: Gear made of Metal, Sprocket, Bearing, Belt made of Rubber, Spring clutch mechanism.

A Rank : The parts which may be with the revolution or loading.

B Rank : Parts similar to A Rank parts, but are not included in Rank A.

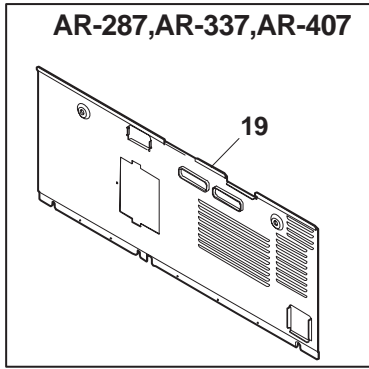
Because parts marked with "△" is indispensable for the machine safety maintenance and operation, it must be replaced with the parts specific to the product specification.

- Other than this Parts Guide, please refer to documents Service Manual (including Circuit Diagram) of this model.
- Please use the 13 digit code described in the right hand corner of front cover of the document, when you place an order.
- For U.S. only-Use order codes provided in advertising literature. Do not order from parts department.

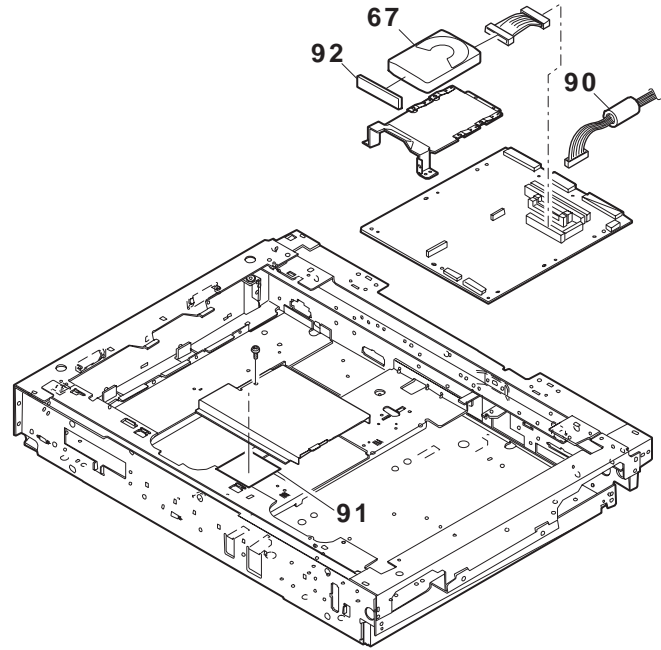
---

New model	Compared models
AR-287	AR-285
AR-337	AR-335
AR-407	AR-405
AR-507	AR-505

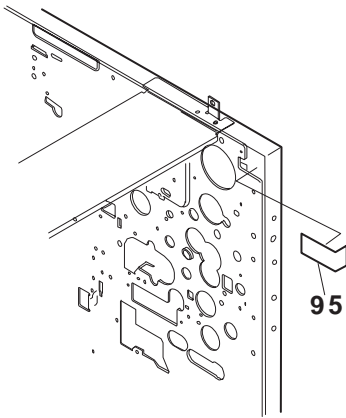
2 Exteriors(Rear,Left side cabinet etc.)



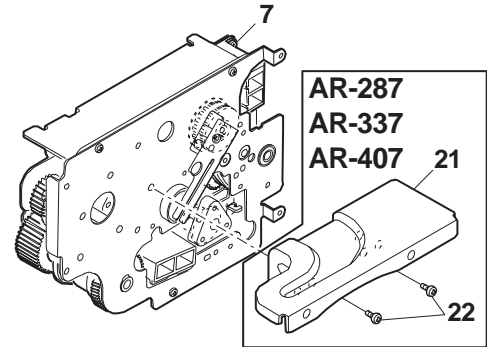
5 Optical unit 1



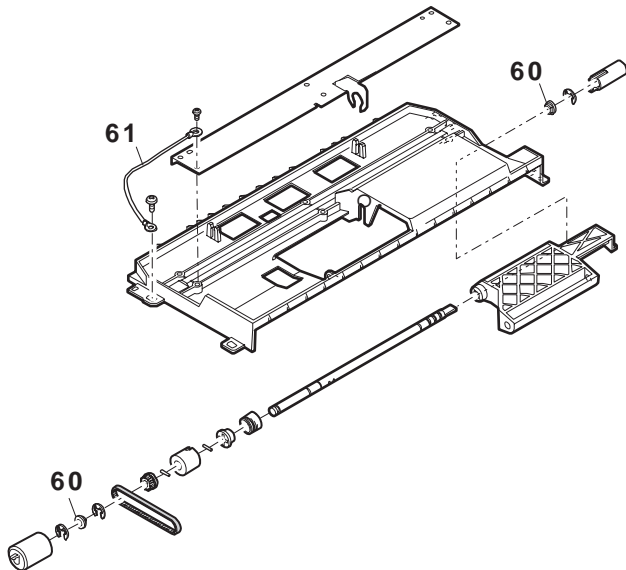
9 Frame section



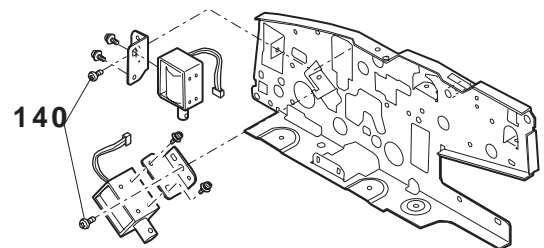
12 Rear frame 2



65 RSPF 4(AR-507)



66 RSPF 5(AR-507)



## 1 Exteriors(Front cabinet etc.)

NO.	PARTS CODE	PRICE RANK	NEW MARK	PART RANK	DESCRIPTION
10	CCAB-0888FC63	BD	N	E	Front exterior unit (USA only)[AR-287]
	CCAB-0888FC62	BD	N	E	Front exterior unit (Except USA)[AR-287]
	CCAB-0888FC65	BD	N	E	Front exterior unit (USA only)[AR-337]
	CCAB-0888FC64	BD	N	E	Front exterior unit (Except USA)[AR-337]
	CCAB-0927FC42	BB	N	E	Front exterior unit (USA only)[AR-407]
	CCAB-0927FC41	BB	N	E	Front exterior unit (Except USA)[AR-407]
	CCAB-0927FC45	BB	N	E	Front exterior unit (USA only)[AR-507]
	CCAB-0927FC44	BB	N	E	Front exterior unit (Except USA)[AR-507]

## 2 Exteriors(Rear,Left side cabinet etc.)

NO.	PARTS CODE	PRICE RANK	NEW MARK	PART RANK	DESCRIPTION
19	G CAB-0933FCZZ	AW	N	D	Rear exterior [AR-287,337,407]

## 3 Operation panel unit

NO.	PARTS CODE	PRICE RANK	NEW MARK	PART RANK	DESCRIPTION
2	CPWBN1442FC31	BY	N	E	Operation control PWB [AR-287,337,407]
8	PSHEP4812FCZZ	AR	N	C	LCD sheet [AR-287,337,407,507]
9	HPNLH0238FCZ1	BF		D	Touch panel [except AR-405]
27	PSHEZ4819FCZZ	AH	N	C	Panel sheet (English) [AR-287,337]
	PSHEZ4819FCZ1	AH	N	C	Panel sheet (German) (Germany)[AR-287,337]
	PSHEZ4819FCZ2	AH	N	C	Panel sheet (French) (Canada,Morocco)[AR-287,337]
	PSHEZ4819FCZ3	AH	N	C	Panel sheet (English) (LAG3,LAG4)[AR-287,337]
	PSHEP4818FCZZ	AH	N	C	Panel sheet (English) (Canada,Germany)[AR-507]
	PSHEP4818FCZ1	AH	N	C	Panel sheet (German) (Germany only)[AR-507]
	PSHEP4818FCZ2	AE	N	C	Panel sheet (French) (Canada,Morocco)[AR-507]
	PSHEP4818FCZ3	AE	N	C	Panel sheet (English) (LAG2,LAG3,LAG4)[AR-507]
28	HPNLC0241FCZZ	AX		D	Operation panel [AR-407,507]
33	CPNLC0242FC03	AU		D	Operation panel B (USA only)[AR-407]
	CPNLC0242FC06	AT		D	Operation panel B [AR-507]
37	PSHEP4816FCZ2	AE	N	C	Panel sheet B (French) (Canada,Morocco ) [AR-287,337,]
	PSHEP4816FCZZ	AE	N	C	Panel sheet B (English) (Canada,Germany)[AR-287,337,]
	PSHEP4816FCZ1	AE	N	C	Panel sheet B (German) (Germany only)[AR-287,337,]
	PSHEP4816FCZ3	AE	N	C	Panel sheet B (English) (LAG3,LAG4)[287,337]
	PSHEP4817FCZZ	AE	N	C	Panel sheet B (English) (Canada)[AR-407]
	PSHEP4817FCZ1	AE	N	C	Panel sheet B (German) (Germany)[AR-407]
	PSHEP4817FCZ2	AE	N	C	Panel sheet B (French) (Canada ) [AR-407]
		PSHEP4817FCZ3	AE	N	D

## 5 Optical unit 1

NO.	PARTS CODE	PRICE RANK	NEW MARK	PART RANK	DESCRIPTION
4	PCOVP1454FCZ1	AN		C	Dark box cover B [AR-287,337,407,507]
10	PCOVP1518FCZZ	AE		D	ICU ROM cover [AR-237,337,407,507]
31	DHAi-3133FCZZ	AT	N	C	LSU interface harness N [AR-287,337]
	DHAi-3134FCZZ	AS	N	C	LSU interface harness N [AR-407]
53	CPWBN1439FC51	DB	N	E	ICU PWB (AR-287)
	CPWMN1438FC51	DB	N	E	ICU PWB (AR-337)
	CPWBN1438FC52	DB	N	E	ICU PWB (AR-407)
	CPWBN1437FC53	CZ	N	E	ICU PWB (AR-507)
67	DUNT-7051FCZZ	CC	N	E	Hard disk [AR-287,337,407]
84	RCORF5010BCZZ	AD		C	Ferrite core (AR-287,337,407,507)
85	RCORF6693RCZZ	AK		C	Ferrite core (AR-287,337,407,507)
90	RCORF0030FCZZ	AM		C	Ferrite core (AR-287,337,407,507)
91	PCUSS0371FCZZ	AE	N	C	LSU harness fixing sheet
92	PCUSS0369FCZZ	AF		C	Cushion

## 6 Optical unit 2

NO.	PARTS CODE	PRICE RANK	NEW MARK	PART RANK	DESCRIPTION
33	CPLTM5435FC02	AN		C	Optical frame reinforce plate
45	LPLTM5430FCZ1	AN		C	OC fixing plate [except AR-507]

## 9 Frame section

NO.	PARTS CODE	PRICE RANK	NEW MARK	PART RANK	DESCRIPTION
2	DUNT-6984FC23	CT	N	E	LSU unit [AR-287,337]
	DUNT-6984FC24	CT	N	E	LSU unit [AR-407]
	DUNT-6984FC31	CU	N	E	LSU unit [AR-507]
51	NFANP0048FCZZ	AY		B	Fan (60X20P) (USA,Canada)[AR-287,337]
	NFANP0060FCZZ	AX		B	Fan (60X25μ) (except USA Canada)[AR-287,337]
79	CPWBN1418FC52	BQ	N	E	LSU control PWB [AR-407]
95	PSHEP4851FCZZ	AB	N	C	Manual hrarness fixing sheet

## 10 Rear frame 1(PCU PWB,DC power PWB etc.)

NO.	PARTS CODE	PRICE RANK	NEW MARK	PART RANK	DESCRIPTION
32	CPLTM5401FC02	AY		C	Board support plata (100Vseries)[except AR-507]
	CPLTM5400FC01	AP		C	Board support plate (except USA Canada)(200Vseries)[AR-287,337,407]
44	DHAI-3070FCZZ	BY		C	Main harness (USA Canada)(100V series)[AR-287,387,407]
	DHAI-3090FCZZ	AP		C	Main harness (excpt USA Canada)(200V series)[AR-287,337,407]
49	LPLTM5666FCZZ	AG		C	SCSI I/F plate [AR-287,337,408,507]
50	LPLTM5666FCZ1	AF		C	SCSI I/F plate [AR-287,337,407,507]

## 11 Rear frame 1(AC PWB,Frame etc)

NO.	PARTS CODE	PRICE RANK	NEW MARK	PART RANK	DESCRIPTION
14	LPLTM5398FCZ2	AR		C	AC PWB fixing plate (100V series)
15	LSUPP0060FCZZ	AA		C	PWB supporter(SPLS-6) (USA Canada)
24	QACCR7421QCZZ	AY		C	AC cprd (250V series)[LAG4]
	QPLGA0005QCZZ	AN	N	B	AC cord plag (Hong Kong only)
25	DHAI-2904FC12	AM	N	C	Earth core (Taiwan)

## 12 Rear frame 2

NO.	PARTS CODE	PRICE RANK	NEW MARK	PART RANK	DESCRIPTION
10	NFLY-0010FCZZ	AN		C	Flay wheel
21	LDAIU0615FCZZ	AG	N	C	SCSI fixing plate [except AR-507]
22	XHBSE40P08000	AA		C	Screw [except AR-507]

## 16 Fusing unit 1

NO.	PARTS CODE	PRICE RANK	NEW MARK	PART RANK	DESCRIPTION
901	DUNTW6931FC44	CC	N	E	Fusing unit (100V series)(AR-287,337)
	DUNTW6931FC45	CC	N	E	Fusing unit (200V series)(AR-287,337)
	DUNTW6931FC24	CC	N	E	Fusing unit (100V series)(AR-407)
	DUNTW6931FC25	CC	N	E	Fusing unit (200V series)(AR-407)
	DUNTW6931FC23	CC	N	E	Fusing unit (100V series)Taiwan(AR-407)

## 17 Fusing unit 2

NO.	PARTS CODE	PRICE RANK	NEW MARK	PART RANK	DESCRIPTION
23	CFRM-0953FC02	AS	N	C	Fusing lower frame (AR-287,337)
901	DUNTW6931FC44	CC	N	E	Fusing unit (100V series)(AR-287,337)
	DUNTW6931FC45	CC	N	E	Fusing unit (200V series)(AR-287,337)
	DUNTW6931FC24	CC	N	E	Fusing unit (100V series)(AR-407)
	DUNTW6931FC25	CC	N	E	Fusing unit (200V series)(AR-407)
	DUNTW6931FC23	CC	N	E	Fusing unit (100V series)Taiwan(AR-407)

## 39 Packing material &amp; Accessories

NO.	PARTS CODE	PRICE RANK	NEW MARK	PART RANK	DESCRIPTION
1	SPAKC6081FC11	BC	N	D	Packing case (USA only)[AR-287]
	SPAKC6082FCZZ	BC	N	D	Packing case (Germany , Europe except Germany ) [AR-287]
	SPAKC6081FCZZ	BC	N	D	Packing case (Other countries)[AR-287]
	SPAKC6081FC13	BC	N	D	Packing case (USA only)[AR-337]
	SPAKC6082FC11	BC	N	D	Packing case (For Europe except Germany)[AR-337]
	SPAKC6081FC12	BC	N	D	Packing case (Other countries)[AR-337]
	SPAKC6081FC15	BC	N	D	Packing case (USA only)[AR-407]
	SPAKC6082FC12	BC	N	D	Packing case (Germany For Europe except Germany)[AR-407]
	SPAKC6081FC14	BC	N	D	Packing case (Other countries)[AR-407]
	SPAKC6083FC12	BD	N	D	Packing case (for USA)[AR-507]
	SPAKC6084FCZZ	BD	N	D	Packing case (Germany for Europe except Germany)[AR-507]
SPAKC6083FC11	BD	N	D	Packing case (for other countries)[AR-507]	
2	SPAKA5895FCZ2	AX	N	D	Top packing cushion L ADF (AR-287)[Hong Kong]
	SPAKA5962FCZ1	AW	N	D	Top packing cushion L ADF (AR-407)[Hong Kong]
	SPAKA5896FCZZ	AT		D	Top packing cushion R ADF (AR-287)[Hong Kong]
	SPAKA5963FCZ1	AW	N	D	Top packing cushion R ADF (AR-407)[Hong Kong]
7	CPAKA5760FC32	BE	N	D	Skid unit [Hong Kong]
12	SPAKA6074FCZZ	AG	N	D	ADF protect sheet [Hong Kong]
36	TCADZ2001QCZA	AE		D	Card (Australia, New Zealand)
	TCADS0649FCZZ	AM		D	Card (Germany, Europe)
37	CiNSE1951FC51	BB	N	D	Operation manual for copy (English)(except USA,U.Kingdom)[AR-287,337]
	CiNSF1952FC51	BE	N	D	Operation manual for copy (Fernch)[AR-287,337,407]
	CiNSS1955FC51	BE	N	D	Operation manual for copy (Spanish)[AR-287,337,407]
	CiNSG1953FC51	BE	N	D	Operation manual for copy (German)[AR-287,337,407]
	CiNSR1959FC51	BE	N	D	Operation manual for copy (Russian)[AR-287,337,407]
	CiNSZ1960FC51	BE	N	D	Operation manual for copy (Arabic)[AR-287,337,407]
	CiNSE1949FC51	AZ	N	D	Operation manual for copy (English)(USA only)[AR-287,337,407]
	CiNSE1954FC51	BB	N	D	Operation manual for copy (English) (U.Kingdom)[AR-407]
	CiNSE1977FC51	AZ	N	D	Operation manual for copy (English) (USA)[AR-507]
	CiNSE1979FC51	BA	N	D	Operation manual for copy (English) (except USA,U.Kingdom)[AR-507]
	CiNSR1987FC51	BE	N	D	Operation manual for copy (Russian)[AR-507]
	CiNSS1983FC51	BE	N	D	Operation manual for copy (Spanish)[AR-507]
	CiNSZ1988FC51	BE	N	D	Operation manual for copy (Arabic)[AR-507]
	CiNSF1980FC51	BE	N	D	Operation manual for copy (French) (Canada)[AR-507]
	CiNSE1982FC51	BB	N	D	Operation manual for copy (English) (U.Kingdom)[AR-507]
	CiNSG1981FC51	BE	N	D	Operation manual for copy (Germany) (Germany)[AR-507]
39	CiNSE1978FC51	AQ	N	D	Operation manual for Key (USA only)[AR-507]
	CiNSE1950FC51	AP	N	D	Operation manual for Key (USA only)[AR-407]
41	PSHEZ4819FCZZ	AH	N	C	Panel sheet (English) [AR-287,337]
	PSHEZ4819FCZ1	AH	N	C	Panel sheet (German) (Germany)[AR-287,337]
	PSHEZ4819FCZ2	AH	N	C	Panel sheet (French) (Canada,Morocco)[AR-287,337]
	PSHEZ4819FCZ3	AH	N	C	Panel sheet (English) (LAG3,LAG4)[AR-287,337]
	PSHEP4818FCZZ	AE	N	C	Panel sheet (English) (Canada,Germany)[AR-507]
	PSHEP4818FCZ1	AE	N	C	Panel sheet (German) (Germany only)[AR-507]
	PSHEP4818FCZ2	AE	N	C	Panel sheet (French) (Canada only)[AR-507]
	PSHEP4818FCZ3	AE	N	C	Panel sheet B (English) (LAG3,LAG4)[AR-507]
	PSHEP4816FCZ2	AE	N	C	Panel sheet B (French) (Canada,Morocco ) [AR-287,337]
	PSHEP4816FCZ3	AE	N	C	Panel sheet B (English) (Canada,Germany)[AR-287,337]
	PSHEP4816FCZ1	AE	N	C	Panel sheet B (German) (Germany only)[AR-287,337]
	PSHEP4816FCZ3	AE	N	C	Panel sheet B (English) (LAG3,LAG4)[AR-287,337]
	PSHEP4817FCZZ	AE	N	C	Panel sheet B (English) (Canada)[AR-407]
	PSHEP4817FCZ1	AE	N	C	Panel sheet B (German) (Germany)[AR-407]
	PSHEP4817FCZ2	AE	N	C	Panel sheet B (French) (Canada ) [AR-407]
42	TCADZ0098QSZZ	AF		D	Warranty resist card (U.Kingdom only)
	TGANE1001QCZB	AC		D	Warranty resist card (Australia,New Zealand)
43	TCADZ1442FCZZ	AE		D	MSDS card (USA,Canada,U.Kingdom)[AR-280,281,286,336]
50	TLABH4411FCZZ	AE		D	Operation card (U,Kingdom)(AR-507)
51	TLABH4410FCZZ	AK		C	Card (U,Kingdom)
52	TLABH4259FCZZ	AH		C	Sheet (Hong kong)

## 40 PCU PWB(AR-287,337,407)

NO.	PARTS CODE	PRICE RANK	NEW MARK	PART RANK	DESCRIPTION
1	VHi28F161A20C	BE	N	B	PCUFLASH PWB(28F161A20C) (100V series)[AR-287,337]
	VHi28F161A21C	BE	N	B	PCUFLASH PWB(28F161A21C) (200V seeies)[AR-287,337]
	VHi28F161A23C	BE	N	B	PCUFLASH PWB(28F161A23C) (100V series)[AR-407]
	VHi28F161A24C	BE	N	B	PCUFLASH PWB(28F161A24C) (200V series)[AR-407]
11	QSOZC0073FCZZ	AL		C	Socket(DMM2SD72A1131) [SOCKET1]
42	VHiIS61C51215	AU		B	IC (IS61C51215) [IC25,28,30,35]
54	VHiHD74LV32AF	AD		B	IC (HD74LV32AF) [IC36]
101	VSDTC114EK/-1	AB		B	Transistor(DTC114EK) [Q206,207]
901	CPWBN1440FC31	BY	N	E	PCU PWBwithout FLASH PWB

## 41 PCU PWB(AR-507)

NO.	PARTS CODE	PRICE RANK	NEW MARK	PART RANK	DESCRIPTION
1	VHi28F161A26C	BE	N	B	PCUFLASH PWB(28F161A26C) (100V series)
	VHi28F161A27C	BE	N	B	PCUFLASH PWB(28F161A27C) (200V series)
37	VERD22FB/-1	AD		B	Zener diode(RD22FB) [ZD2,3,7,8]
40	VHiS61C51215	AU		B	IC (IS61C512-15J) (IS61C512-15J) [IC26,28,30,34]
45	VHiMM74HC138S	AE	N	B	IC (MM74HC138SJ) [IC19]
46	VHiMM74HC151S	AE	N	B	IC (MM74HC151SJ) [IC13-16,21-24]
53	VHi74VHCT04-1	AF		B	IC (74VHCT04) [IC40,41]
54	VHiHD74LV32AF	AD		B	IC (HD74LV32AFP) [IC42]
105	VSDTC114EK/-1	AB		B	Transistor (DTC114EK) [Q204,205]
106	VRS-RE3LA201J	AC	N	B	Resistor (3W 200Ω±5%) [R16]
107	VRS-RE3LA241J	AC	N	B	Resistor (3W 240Ω±5%) [R15]
901	CPWBN1441FC31	BY	N	E	PCU PWB(without FLASH PWB)

## 43 ICU PWB(AR-287,337,407)

NO.	PARTS CODE	PRICE RANK	NEW MARK	PART RANK	DESCRIPTION
1	LX-NZ0032FCZZ	AA		C	Nut (P3035B)
2	PCOVW0829FCZZ	AC		D	Battery cover
3	PSPAZ1413FCZZ	AC		C	Spacer (PSM2-01)
4	QCNCM0972FCZZ	AH		C	Connector (26pin) [CN2]
5	QCNCM0974FCZZ	AK		C	Connector (RKH401TD019) [CN6]
6	QCNCM0990FCZZ	AE		C	Connector (10pin) [CN5]
7	QCNCM0991FCZZ	AG		C	Connector (30FMZ-BT) [CN3]
8	QCNCM0998FCZZ	AF		C	Connector (22pin) [CN1]
9	QCNCM1015FCZZ	AG		C	Connector (28pin) [CN7]
10	QCNCW1020FCZZ	AF		C	Connector (22pin) [CN10]
11	QCNCW1046FCZZ	AK		C	Connector (DHB-RA50-R1)(SCSI) [CN11,CN12]
12	QSOCZ0073FCZZ	AL		C	Connector (72pin) [SOCKET1,2]
13	QSOCZ6428ACZZ	AE		C	IC socket (28pin) [IC22p]
14	RC-KZ1054CCN2	AB		C	Capacitor (RPE132-906) [C13,15,19,21,22,26,27]
15	RCILF0080FCZZ	AC		C	Coil (BLM21B601SP) [L101]
16	RCRS-0049FCZZ	AP		B	Crystal (SG8002JC 29MHz) [except AR-407][X4]
	RCRS-0050FCZZ	AP		B	Crystal (8002JC 34.2MHz) [AR-407][X4]
17	RCRS-0051FCZZ	AP		B	Crystal (SG8002JC 32MHz) [except AR-407][X1]
	RCRS-0052FCZZ	AP		B	Crystal (8002JC 37.9MHz) [AR-407][X1]
18	RCRS-0055FCZZ	AP		B	Crystal (8002JC 40MHz) [X6]
19	RCRS-0056FCZZ	AP		B	Crystal (8002JC 50MHZ) [X5]
20	RCRS-0065FCZZ	AP	N	B	Crystal (8002JC 38.893MHZ) [except AR-407][X2]
	RCRS-0064FCZZ	AP	N	B	Crystal (8002JC 46.9MHZ) [AR-407][X2]
21	RCRSP6676RCZZ	AG		B	Crystal (32.768KHz) [X7]
22	RfiLN6012RCZZ	AB		C	EMI filter (E103) [NF76-81]
23	RfiLN6013RCZZ	AB		C	EMI filter (EXCEMT222BT) [NF65-75,82-84]
24	RfiLZ0028FCZZ	AD		C	EMI filter (NFM40) [NF1-7,9-28]
25	RfiLZ0032FCZZ	AD		C	EMI filter (NFM40220) [NF29-64]
26	RMPTC4220QCJJ	AC		B	Block resistor (22Ω×4) [BR24,25,26,27,28,29,30,31,32]
	RMPTC4220QCJJ	AC		B	Block resistor (22Ω×4) [BR33,34,35,36,37,38,39,40,41]
	RMPTC4220QCJJ	AC		B	Block resistor (22Ω×4) [BR42,43]
27	RMPTM0034FCZZ	AC		B	Block resistor (10KΩ×8) [BR1-15]
28	UBATL2033SCZZ	AK		B	Battery (CR2032-H03) [BT1]
29	VCCCTV1HH300J	AA		C	Capacitor (50WV 30PF) [C141,142]
30	VCCCTV1HH6R0D	AA		C	Capacitor (50WV 6.0PF) [C235,236]
31	VCEA2U0JW108M	AD		C	Capacitor (6.3WV 1000μF) [C6]
32	VCEA2U1CW477M	AD		C	Capacitor (16WV 470μF) [C33]
33	VCEA2U1VW227M	AD		C	Capacitor (35WV 220μF) [C4,5]
34	VCEAJU0JW107M	AB		C	Capacitor (6.3WV 100μF) [C9]
35	VCEAJU0JW226M	AB		C	Capacitor (6.3WV 22μF) [C7,12]
36	VCEAJU0JW337M	AC		C	Capacitor (6.3WV 330μF) [C8,28,30,39,40]
37	VCEAJU1HW105M	AB		C	Capacitor (50WV 1.0μF) [C31]
38	VCEAJU1HW335M	AB		C	Capacitor (50WV 3.3μF) [C29,32]
39	VCKYTV1HB102K	AA		C	Capacitor (50WV 1000PF) [C122,133,187,195,213]
40	VCKYTV1HF103Z	AA		C	Capacitor (50WV 0.010μF) [C199]
41	VCKYTV1HF104Z	AA		C	Capacitor (50WV 0.10μF) [C101,103,106,116,119,124,152]
	VCKYTV1HF104Z	AA		C	Capacitor (50WV 0.10μF) [C153,154,165,168,171,180,189]
	VCKYTV1HF104Z	AA		C	Capacitor (50WV 0.10μF) [C200,201,223,234,238,261,262]
	VCKYTV1HF104Z	AA		C	Capacitor (50WV 0.10μF) [C263,264,265,266,267,268,270]
	VCKYTV1HF223Z	AA		C	Capacitor (50WV 0.022μF) [C102,104,105,107,108,109,110]
	VCKYTV1HF223Z	AA		C	Capacitor (50WV 0.022μF) [C111,112,113,114,115,117,118]
	VCKYTV1HF223Z	AA		C	Capacitor (50WV 0.022μF) [C120,121,123,125,126,127,128]
	VCKYTV1HF223Z	AA		C	Capacitor (50WV 0.022μF) [C129,130,131,132,134,135,136]
	VCKYTV1HF223Z	AA		C	Capacitor (50WV 0.022μF) [C137,138,139,140,144,145,146]
42	VCKYTV1HF223Z	AA		C	Capacitor (50WV 0.022μF) [C147,148,149,150,156,157,158]
	VCKYTV1HF223Z	AA		C	Capacitor (50WV 0.022μF) [C159,160,161,162,163,164,166]
	VCKYTV1HF223Z	AA		C	Capacitor (50WV 0.022μF) [C167,172,176,177,178,179,181]
	VCKYTV1HF223Z	AA		C	Capacitor (50WV 0.022μF) [C185,186,188,190,191,192,193]
	VCKYTV1HF223Z	AA		C	Capacitor (50WV 0.022μF) [C194,196,197,198,202,203,204]
	VCKYTV1HF223Z	AA		C	Capacitor (50WV 0.022μF) [C205,206,207,208,209,210,211]

## 43 ICU PWB(AR-287,337,407)

NO.	PARTS CODE	PRICE RANK	NEW MARK	PART RANK	DESCRIPTION
42	VCKYTV1HF223Z	AA		C	Capacitor (50WV 0.022μF) [C212,214,215,216,217,218,219]
	VCKYTV1HF223Z	AA		C	Capacitor (50WV 0.022μF) [C220,222,224,225,226,227,228]
	VCKYTV1HF223Z	AA		C	Capacitor (50WV 0.022μF) [C229,230,231,233,237,240,241]
	VCKYTV1HF223Z	AA		C	Capacitor (50WV 0.022μF) [C271,274,275,276,277,278]
43	VHDDAN217// -1	AC		B	Diode (DAN217) [D102]
44	VHDDAP202K/ -1	AB		B	Diode (DAP202K) [D101]
45	VHDDSS133HV -1	AA		B	Diode (DSS133HV) [D1~5]
46	VHDRB160L40 -1	AD		B	Diode (RB160L40) [D105,106]
47	VHDRB411D// -1	AD		B	Diode (RB411D) [D103,104]
48	VHEHZZS5A1// -1	AC		B	Zener diode (HZS5A1) [ZD2]
49	VHEHZZS6A1// -1	AC		B	Zener diode (HZS6A1) [ZD1]
50	VHi74AC04SjX/	AE	N	B	IC (74AC04SjX/) [IC105,112]
51	VHi74AC08SjX/	AE	N	B	IC (74AC08SjX/) [IC106,116]
52	VHi74ACT08SCX	AE	N	B	IC (74ACT08SCX) [IC14]
53	VHi74ACT32SCX	AD	N	B	IC (74ACT32SCX) [IC11,36]
54	VHi74VHCT08AJ	AD	N	B	IC (74VHCT08AJ) [IC4]
55	VHi74VHCT240X	AF	N	B	IC (74VHCT240X) [IC103,107,109,110,115]
56	VHi74VHCT244X	AF	N	B	IC (74VHCT244X) [IC108,117,118]
57	VHi74VHCT245X	AF	N	B	IC (74VHCT245X) [IC113,114]
58	VHiAT28C64B -1	AZ		B	EEP ROM (AT28C64B) [IC22]
59	VHiD65806GL -1	BK		B	IC (D65806GL) [IC31]
60	VHiD65808GL -1	BM		B	IC (D65808GL) [IC20]
61	VHiD65948GL -1	BH		B	IC (D65948GL062) [IC19]
62	VHiD82165GC -1	BE		B	IC (D82165GC) [IC15]
63	VHiD82355GN -1	BS		B	IC (D82355GN) [IC13]
64	VHiD82356GN -1	BS		B	IC (D82356GN) [IC23]
65	VHiDM74ALS574	AK	N	B	IC (DM74ALS574) [IC6]
66	VHiDM74AS04JX	AF	N	B	IC (DM74AS04JX) [IC102]
67	VHiDM74AS157M	AL	N	B	IC (DM74AS157M) [IC5,104]
68	VHiDM74AS74MX	AG	N	B	IC (DM74AS74MX) [IC101,119]
69	VHiDS90C401 -1	AU		B	IC (DS90C401) [IC7]
70	VHiIS61C25612	AN		B	IC (IS61C25612) [IC1,2,3,18]
71	VHiLH537C0G -1	BC		B	IC (LH537C0G) [IC26]
72	VHiLM339NS/ -1	AD		B	IC (LM339NS) [IC111]
73	VHiLZ9AT36/ -1	BB		B	IC (LZ9AT36) [IC32]
74	VHiM66235FP -1	AT		B	IC (M66235FP) [IC8]
75	VHiMB86604L -1	BC		B	IC (MB86604L) [IC33,34]
76	VHiMCF5202P25	BG		B	IC (MCF5202P25) [IC21]
77	VHiNJU6356E -1	AK		B	IC (NJU6356E) [IC35]
78	VHiS61C102415	AV	N	B	IC (S61C102415) [IC27,28,29,30]
79	VHiSD6416 -100	BG		B	IC (SDRAM) [IC120,121,122,123]
80	VHiTD62503F/ -	AG		B	IC (TD62503) [IC9]
81	VHiXLI2050X -1	BQ		B	IC (XLI2050X) [IC16]
82	VHPMVR3864K -J	AC		B	LED (MVR3864K) [LD1]
83	VRS-TS2AD000J	AA		C	Resistor (1/10W 0Ω ±5%) [R101,102,103,104,105,106,107]
	VRS-TS2AD000J	AA		C	Resistor (1/10W 0Ω ±5%) [R108,109,112,113,114,115,116]
	VRS-TS2AD000J	AA		C	Resistor (1/10W 0Ω ±5%) [R117,118,122,126,130,131,136]
	VRS-TS2AD000J	AA		C	Resistor (1/10W 0Ω ±5%) [R141,157,196,200,201,202,205]
	VRS-TS2AD000J	AA		C	Resistor (1/10W 0Ω ±5%) [R206,212,213,343,344,349,351]
	VRS-TS2AD000J	AA		C	Resistor (1/10W 0Ω ±5%) [R358,359,510,514,515,535,537]
	VRS-TS2AD000J	AA		C	Resistor (1/10W 0Ω ±5%) [R353,354,355]
84	VRS-TS2AD101J	AA		C	Resistor (1/10W 100Ω ±5%) [R123,110]
85	VRS-TS2AD102J	AA		C	Resistor (1/10W 1.0KΩ ±5%) [R111,139,193]
86	VRS-TS2AD103J	AA		C	Resistor (1/10W 10KΩ ±5%) [R120,137,143,145,146,161,162]
	VRS-TS2AD103J	AA		C	Resistor (1/10W 10KΩ ±5%) [R163,164,165,171,176,177,179]
	VRS-TS2AD103J	AA		C	Resistor (1/10W 10KΩ ±5%) [R182,191,194,195,207,208,209]
	VRS-TS2AD103J	AA		C	Resistor (1/10W 10KΩ ±5%) [R214,215,216,241,242,243,245]
	VRS-TS2AD103J	AA		C	Resistor (1/10W 10KΩ ±5%) [R246,247,472,538,539,540,541]
87	VRS-TS2AD105J	AA		C	Resistor (1/10W 10KΩ ±5%) [R542,543,544,545,546,547,548]
88	VRS-TS2AD105J	AA		C	Resistor (1/10W 1MΩ ±5%) [R134]
	VRS-TS2AD122J	AA		C	Resistor (1/10W 1.2KΩ ±5%) [R127,183]
89	VRS-TS2AD122J	AA		C	Resistor (1/10W 1.2KΩ ±5%) [AR-407][R551]
	VRS-TS2AD151J	AA		C	Resistor (1/10W 150Ω ±5%) [R189]
90	VRS-TS2AD200J	AA		C	Resistor (1/10W 20Ω ±5%) [R119]
91	VRS-TS2AD220J	AA		C	Resistor (1/10W 22Ω ±5%) [R477,478,479,480,481,482,483]
	VRS-TS2AD220J	AA		C	Resistor (1/10W 22Ω ±5%) [R484,485,486,487,488,489,490]
	VRS-TS2AD220J	AA		C	Resistor (1/10W 22Ω ±5%) [R491,492,516,517,518,519,520]
92	VRS-TS2AD220J	AA		C	Resistor (1/10W 22Ω ±5%) [R522,523,160]
93	VRS-TS2AD222J	AA		C	Resistor (1/10W 220Ω ±5%) [R135]
94	VRS-TS2AD222J	AA		C	Resistor (1/10W 2.2KΩ ±5%) [R169,178]
95	VRS-TS2AD224J	AA		C	Resistor (1/10W 22KΩ ±5%) [R181,345,346,347,348]
96	VRS-TS2AD224J	AA		C	Resistor (1/10W 220KΩ ±5%) [R184]
97	VRS-TS2AD301J	AA		C	Resistor (1/10W 300Ω ±5%) [R170,190]
98	VRS-TS2AD331J	AA		C	Resistor (1/10W 330Ω ±5%) [R356]
99	VRS-TS2AD363J	AA		C	Resistor (1/10W 36KΩ ±5%) [R185]
100	VRS-TS2AD391J	AA		C	Resistor (1/10W 390Ω ±5%) [R203]
101	VRS-TS2AD393J	AA		C	Resistor (1/10W 39KΩ ±5%) [R180]
101	VRS-TS2AD472J	AA		C	Resistor (1/10W 4.7KΩ ±5%) [R240,244,525,526,527,528,529]
	VRS-TS2AD472J	AA		C	Resistor (1/10W 4.7KΩ ±5%) [R530,531,532,533]



## 43 ICU PWB(AR-287,337,407)

NO.	PARTS CODE	PRICE RANK	NEW MARK	PART RANK	DESCRIPTION
102	VRS-TS2AD562J	AA		C	Resistor (1/10W 5.6KΩ ±5%) [R128,129,133,144,147,148,156]
	VRS-TS2AD562J	AA		C	Resistor (1/10W 5.6KΩ ±5%) [R192,342]
103	VRS-TS2AD683J	AA		C	Resistor (1/10W 68KΩ ±5%) [R188]
104	VRS-TS2AD820J	AA		C	Resistor (1/10W 82Ω ±5%) [R524]
105	VRS-TS2AD911J	AA		C	Resistor (1/10W 910Ω ±5%) [R187,357]
106	VRS-TS2AD913J	AA		C	Resistor (1/10W 91KΩ ±5%) [R186]
107	VRS-TW2ED221J	AA		C	Resistor (1/4W 220Ω ±5%) [R254,255,256,257,258,259,266]
	VRS-TW2ED221J	AA		C	Resistor (1/4W 220Ω ±5%) [R267,268,269,270,271,278,279]
	VRS-TW2ED221J	AA		C	Resistor (1/4W 220Ω ±5%) [R280,281,282,283,290,291,292]
	VRS-TW2ED221J	AA		C	Resistor (1/4W 220Ω ±5%) [R293,294,295,302,303,304,305]
	VRS-TW2ED221J	AA		C	Resistor (1/4W 220Ω ±5%) [R306,307,314,315,316,317,318,319]
108	VRS-TW2ED331J	AA		C	Resistor (1/4W 330Ω ±5%) [R248,249,250,251,252,253,260]
	VRS-TW2ED331J	AA		C	Resistor (1/4W 330Ω ±5%) [R261,262,263,264,265,272,273]
	VRS-TW2ED331J	AA		C	Resistor (1/4W 330Ω ±5%) [R274,275,276,277,284,285,286]
	VRS-TW2ED331J	AA		C	Resistor (1/4W 330Ω ±5%) [R287,288,289,296,297,298,299]
	VRS-TW2ED331J	AA		C	Resistor (1/4W 330Ω ±5%) [R300,301,308,309,310,311,312,313]
109	VRSTS2AD2940F	AA		C	Resistor (1/10W 294Ω ±1%) [AR-407][R132]
110	VRSTS2AD3570F	AA		C	Resistor (1/10W 357Ω ±1%) [except AR-407][R132]
111	VSDTA114YK/-1	AC		B	Transistor (DTA114YK) [Q101]
	VSDTA114YK/-1	AC		B	Transistor (DTA114YK) [AR-407][Q109]
112	VSDTC114EK/-1	AB		B	Transistor (DTC114EK) [Q106]
	VSDTC114YK/-1	AC		B	Transistor (DTC114YK) [Q102,103,105,107]
113	VSDTC114YK/-1	AC		B	Transistor (DTC114YK) [AR-407][Q108]
	VSDTC124XK/-1	AB		B	Transistor (DTC124XK) [Q104]
200	VHi28F162A13F	BL	N	B	ICU flash PWB [100V Series AR-287,337]
	VHi28F162A14F	BL	N	B	ICU flash PWB [200V Series AR-287,337]
	VHi28F162A16F	BL	N	B	ICU flash PWB [100V Series AR-407]
	VHi28F162A17F	BL	N	B	ICU flash PWB [200V Series AR-407]
	(Unit)				
901	CPWBN1439FC51	DB	N	E	ICU PWB(without FLASH PWB) [AR-287]
	CPWBN1438FC51	DB	N	E	ICU PWB(without FLASH PWB) [AR-337]
	CPWBN1438FC52	DB	N	E	ICU PWB(without FLASH PWB) [AR-407]

## 44 ICU PWB(AR-507)

NO.	PARTS CODE	PRICE RANK	NEW MARK	PART RANK	DESCRIPTION
200	VHi28F162A19F	BL	N	B	ICU PWBFLASHPWB(28F162A19F) (100Vseries)
	VHi28F162A20F	BL	N	B	ICU PWBFLASHPWB(28F162A20F) (200Vseries)
901	CPWBN1437FC53	CZ	N	E	ICU PWBFLASHPWB(withoutFLASH PWB)

## 46 Operation control PWB

NO.	PARTS CODE	PRICE RANK	NEW MARK	PART RANK	DESCRIPTION
1	VHi28F321-02C	BS	N	B	Operation flash PWB(28F321-02C) (100V series) [AR-287,337]
	VHi28F321-03C	BS	N	B	Operation flash PWB(28F321-03C) (200V series) [AR-287,337]
	VHi28F321-05C	BS	N	B	Operation flash PWB(28F321-05C) (100V series) [AR-407]
	VHi28F321-06C	BS	N	B	Operation flash PWB(28F321-06C) (200V series) [AR-407]
	VHi28F321-08C	BS	N	B	Operation flash PWB(28F321-08C) (100V series) [AR-507]
	VHi28F321-09C	BS	N	B	Operation flash PWB(28F321-09C) (200V series) [AR-507]
39	VHDDAN202K/-1	AB		B	Diode (DAN202K) [D3,4,6,10,11,14,15,18,19]
40	VHDDAP202K/-1	AB		B	Diode (DAP202K) [D1,2,7,8,13,16,17]
52	VHi74F32SJ/-1	AE		B	IC (74F32SJ) [IC4]
53	VHiHD74LV08AF	AD		B	IC (HD74LV08AF) [IC9]
55	VHiHD74LV04AF	AD		B	IC (HD74LV04FP) [IC15,18]
56	VHiHD74LV14AF	AD		B	IC (HD74LV14AF) [IC7]
100	VHiHD74LV32AF	AD		B	IC (HD74LV32AF) [IC2]
102	VHiIS61C51215	AU		B	IC (IS61C51215) [IC16,17]
103	VHiMM74HCT244	AF	N	B	IC (MM74HCT244) [IC18]
	(Unit)				
901	CPWBN1442FC31	BY	N	E	ICU PWB(without FLASH PWB)

## 53 DC Power supply PWB(100V series)

NO.	PARTS CODE	PRICE RANK	NEW MARK	PART RANK	DESCRIPTION
1	0FT23006212//	AP		B	IC (MB3759M) [Z1]
2	0FT23007529//	AF	N	B	Zener diode RD3.9E-B2 [D768]
3	0FT23034135//	AC		C	Screw (3x8)(AP43421-051-04)
4	0FT23055159//	AD		B	Transistor (2SC1815-Y) [Q729]
5	0FT23078361//	AH		B	Transistor (2SA1020) [Q705,Q726]
6	0FT23078876//	AH		B	Diode (RK44) [D719]
7	0FT23080986//	AG		B	Transistor (2SC1815) [Q701,Q711,Q724]
8	0FT23088421//	AK		C	Chemical capacitor (KME10VB-2200) [C802,C803,C804,C814]
9	0FT23105423//	AE		C	Connector (RT-01N-2.3A) [TB701,TB702]
10	0FT23107000//	AC	N	B	Diode 1S2076 [D756]
11	0FT23138429//	AK		B	Diode (RL2ZP) [D725]
12	0FT23144925//	AD	N	C	Film capacitor (MMT-224J50) [C710]
13	0FT23149366//	AH		B	Transistor (2SC2655-Y) [Q706,Q725]
14	0FT23150526//	AN		C	Chemical capacitor (KME35VB-1000) [C757,C791]
15	0FT23165175//	AH		C	Chemical capacitor (KME35VB-470) [C764]
16	0FT23188655//	AP		C	Chemical capacitor (KME25VB-2200) [C754]
17	0FT23188663//	AH		C	Chemical capacitor (KME25VB-470) [C796]
18	0FT23188728//	AP		C	Chemical capacitor (KME35VB-2200) [C760,C761]
19	0FT23195236//	AC		B	Diode (1SS119-14) [D2,D723,D751,D753,D761,D764,D766,D773,D779]
20	0FT23198634//	AF		B	Zener diode (RD6.8ES-B3) [D767]
21	0FT23223116//	AF		B	Zener diode (RD13ES-B2) [D757]
22	0FT23239837//	AK		C	Chemical capacitor (KME35VB-100FC) [C713,C725,C779]
23	0FT23246191//	AF		B	Zener diode (RD5.6ES-B2) [D765]
24	0FT23246205//	AF		B	Zener diode (RD6.2ES-B2) [D709]
25	0FT23259196//	AK	N	C	Chemical capacitor (KME10VB-470FC) [C806]
26	0FT23259242//	AF		C	Chemical capacitor (KME25VB-220FC) [C822]
27	0FT23259269//	AF		C	Chemical capacitor (KME50VB-1FC) [C805]
28	0FT23259285//	AF		C	Chemical capacitor (KME50VB-10FC) [C6]
29	0FT23259307//	AH		C	Chemical capacitor (KME63VB-100) [C731]
30	0FT23262464//	AU		C	Chemical capacitor (KME35VB-3300) [C769]
31	0FT23265420//	AE		B	Zener diode (RD24ES-B2) [D749,D750]
32	0FT23285758//	AK		B	Diode (RG2A) [D708]
33	0FT23287815//	AF		C	Chemical capacitor (KME50VB-22FC) [C1]
34	0FT23288153//	AE		B	Zener diode (RD27ES-B2) [D752]
35	0FT23291235//	AE		B	Zener diode (RD12ES-B3) [D706,D776]
36	0FT23292762//	AL		C	Chemical capacitor (KME50VB-330) [C790]
37	0FT23305589//	AK	N	C	Chemical capacitor (KME10VB-100FD) [C808]
38	0FT23330605//	AF	N	B	Zener diode (RD18ES-B2) [D712]
39	0FT23339823//	AK	N	C	Plate (AP47101-009-05)
40	0FT23355705//	AF		B	Zener diode (RD6.8ES-B2) [D724]
41	0FT23371158//	AK		C	Cement resistor (BPR26 2W 0.01ΩK) [R815,R816]
42	0FT23382060//	AN	N	C	Film capacitor (MMT-105J50) [C813]
43	0FT23382079//	AG		C	Film capacitor (MMT-224J50) [C719,C756,C809]
44	0FT23397858//	AK	N	C	Connector (B2P3-VH) [CN701]
45	0FT23400433//	AF		B	Zener diode (RD3.6ES-B2) [D763]
46	0FT23405087//	AN		B	Transistor (2SC3852A) [Q707]
47	0FT23412644//	AH		C	Ceramic capacitor (RPE132CH391J50) [C721]
48	0FT23413403//	AU		B	Rectifier (ESAD92M-03) [RC703,RC705]
49	0FT23418200//	AC	N	C	Carbon resistor (RDMF14-FX3.9ΩJ) [R817]
50	0FT23418235//	AC		C	Carbon resistor (RDMF14-FX 1.8KΩJ) [R819]
51	0FT23418383//	AC		C	Carbon resistor (RDMF14-FX 100ΩJ) [R731,R803,R804,R844,R850,R872,R890]
52	0FT23418421//	AC		C	Carbon resistor (RDMF14-FX 220ΩJ) [R841]
53	0FT23418510//	AC		C	Carbon resistor (RDMF14-FX 1KΩJ) [R708,R717,R732,R759,R779,R783,R820,R821,R834,R862]
54	0FT23418529//	AC		C	Carbon resistor (RDMF14-FX 1.2KΩJ) [R782]
55	0FT23418537//	AC		C	Carbon resistor (RDMF14-FX 1.5KΩJ) [R874]
56	0FT23418545//	AC		C	Carbon resistor (RDMF14-FX 1.8KΩJ) [R851]
57	0FT23418553//	AC		C	Carbon resistor (RDMF14-FX 2.2KΩJ) [R7,R9,R707,R709,R739,R758,R760]
58	0FT23418588//	AC		C	Carbon resistor (RDMF14-FX 3.3KΩJ) [R4,R761]
59	0FT23418596//	AC		C	Carbon resistor (RDMF14-FX 3.9KΩJ) [R780]
60	0FT23418618//	AC		C	Carbon resistor (RDMF14-FX 4.7KΩJ) [R827,R829,R870]
61	0FT23418626//	AC		C	Carbon resistor (RDMF14-FX 5.1KΩJ) [R733]
62	0FT23418634//	AC		C	Carbon resistor (RDMF14-FX 5.6KΩJ) [R3]
63	0FT23418669//	AC		C	Carbon resistor (RDMF14-FX 0ΩJ) [R706,R778,R781,R831,R859,R873,R902]
64	0FT23418685//	AC		C	Carbon resistor (RDMF14-FX 12KΩJ) [R2]
65	0FT23418693//	AC		C	Carbon resistor (RDMF14-FX 15KΩJ) [R826]
66	0FT23418715//	AC	N	C	Carbon resistor (RDMF14-FX22KΩJ) [R738]
67	0FT23418804//	AC		C	Carbon resistor (RDMF14-FX 100KΩJ) [R762,R777]
68	0FT23418820//	AC		C	Carbon resistor (RDMF14-FX 180KΩJ) [R843]
69	0FT23419002//	AC	N	C	Carbon resistor (RDMF14-FX 150KΩJ) [R722]
70	0FT23419010//	AC		C	Carbon resistor (RDMF14-FX 1MΩJ) [R6]
71	0FT23419401//	AC		C	Carbon resistor (RDF14-FB 1KΩJ) [R1,R5]
72	0FT23419452//	AC		C	Carbon resistor (RDF14-FB 2.2KΩJ) [R8]
73	0FT23419584//	AC	N	C	Carbon resistor (RDF14-FB15KΩJ) [R730]
74	0FT23423816//	AC		C	Screw (3x8) [.]
75	0FT23429784//	AU		B	Rectifier (ESAD92M02) [RC704]
76	0FT23453847//	AC		C	Screw (3x12)
77	0FT23455750//	AF	N	C	Screw (3x14)
78	0FT23476820//	AK		C	Cement resistor (BPR56 5W 0.1ΩJ) [R728,R729]
79	0FT23483428//	AF		B	Zener diode (RD2.0ES-B2) [D777]

## 53 DC Power supply PWB(100V series)

NO.	PARTS CODE	PRICE RANK	NEW MARK	PART RANK	DESCRIPTION
80	0 FT 2 3 4 8 6 1 9 2 //	AH	N	C	Film capacitor (MMT-474J50) [C778]
81	0 FT 2 3 5 1 6 2 6 1 //	AD		C	Metal film resistor (RSMF12B 10ΩJ) [R737]
82	0 FT 2 3 5 3 7 0 8 0 //	AD		C	Metal film resistor (RSMF12B 2.2ΩJ) [R770,R828]
83	0 FT 2 3 5 3 7 1 2 9 //	AD		C	Metal film resistor (RSMF12B 15ΩJ) [R861]
84	0 FT 2 3 5 3 7 1 3 7 //	AD		C	Metal film resistor (RSMF12B 22ΩJ) [R734,R735,R736]
85	0 FT 2 3 5 3 7 2 2 6 //	AD		C	Metal film resistor (RSMF12B 330 OHMJ) [R721]
86	0 FT 2 3 5 3 9 4 2 3 //	AK		C	Connector (MDF14A-8P-2.5DS) [PN1]
87	0 FT 2 3 5 5 4 0 2 //	AD		A	Fuse holder (EYF-52LCZ) [F701*,F703*,F705*,F706*,F707*,F708*,F709*]
88	0 FT 2 3 5 6 2 2 9 8 //	AD	N	C	Metal film resistor (RSMF2SL 1KΩJ) [R757]
89	0 FT 2 3 5 6 2 3 3 6 //	AD	N	C	Metal film resistor (RSMF12SL 10ΩJ) [R835]
90	0 FT 2 3 5 6 2 3 7 9 //	AD	N	C	Metal film resistor (RSMF12SL 1ΩJ) [R903]
91	0 FT 2 3 5 6 2 7 9 4 //	AD	N	C	Metal film resistor (RSMF1SL 1 OHMJ) [R744]
92	0 FT 2 3 5 6 2 8 1 6 //	AC	N	C	Metal film resistor (RSMF1SL2.2 OHMJ) [R718]
93	0 FT 2 3 5 6 2 8 5 9 //	AD	N	C	Metal film resistor (RSMF1SL 10Ωj) [R788]
94	0 FT 2 3 5 6 2 8 7 5 //	AD	N	C	Metal film resistor (RSMF2SL 22ΩJ) [R753,R755]
95	0 FT 2 3 5 6 3 0 7 3 //	AC	N	C	Metal film resistor (RSMF1SL22K OHMJ) [R702,R723]
96	0 FT 2 3 5 6 3 2 7 8 //	AC	N	C	Metal film resistor (RSMF2SL 15 OHMJ) [R719,R720]
97	0 FT 2 3 5 6 3 2 8 6 //	AC		C	Metal film resistor (RSMF2SL 22ΩJ) [R751,R752]
98	0 FT 2 3 5 6 3 3 1 6 //	AC		C	Metal film resistor (RSMF2SL 68ΩJ) [R727]
99	0 FT 2 3 5 6 3 4 5 6 //	AC	N	C	Metal film resistor (RSMF2SL10K OHMJ) [R703,R704]
100	0 FT 2 3 5 6 3 8 7 1 //	AF	N	C	Metal film resistor (RSMF3SL 47K OHMJ) [R724,R725,R726]
101	0 FT 2 3 5 9 3 2 8 2 //	AH		C	Ceramic capacitor (DE506-63R102K250) [C784,C785,C792,C793]
102	0 FT 2 3 6 0 1 5 5 2 //	AF		B	Diode (1GU42) [D711,D713]
103	0 FT 2 3 6 0 6 7 3 2 //	AD		B	Diode (S5688G) [D701,D702,D703,D704,D705,D707,D710,D722,D732,D735,D780]
104	0 FT 2 3 6 1 1 3 2 9 //	AK		C	Film capacitor (MMC-104K400) [C723,C811,C812]
105	0 FT 2 3 6 2 1 9 4 4 //	AC	N	C	Metal film resistor (RSMF2SL 150K OHMJ) [R710]
106	0 FT 2 3 6 3 7 3 8 7 //	AK	N	C	Screw (APZ46000-003)
107	0 FT 2 3 6 4 2 9 0 9 //	AH		C	Reactor (CX40357-004) [L710,L715]
108	0 FT 2 3 6 4 2 9 1 7 //	BA		C	Reactor (CX40357-005) [L706]
109	0 FT 2 3 6 4 4 6 1 8 //	AL		C	Variable resistor (EVM-4LGA00B22) [RV701]
110	0 FT 2 3 6 4 4 6 3 4 //	AK		C	Variable resistor (EVM-4LGA00B13) [RV702,RV705]
111	0 FT 2 3 6 6 5 9 8 4 //	AU		B	Rectifier (D15XB60) [RC702]
112	0 FT 2 3 6 7 1 6 5 8 //	AP		B	IC (UPC78M05AHF) [Z704]
113	0 FT 2 3 6 9 7 3 5 5 //	AU		C	Absover (ERZV10D471) [NR701]
114	0 FT 2 3 7 0 7 5 9 8 //	AD		C	Metal film resistor (RSMF1RB 22ΩJ) [R749,R750]
115	0 FT 2 3 7 0 9 6 0 4 //	AP		B	Rectifier (D15SCA4M) [RC708]
116	0 FT 2 3 7 2 3 1 1 9 //	AL		A	Fuse (FBT5 AC125V 5A) [PN1,F701,F706]
117	0 FT 2 3 7 2 3 1 2 7 //	AK		A	Fuse (FBT6.3 AC125V 6.3A) [F703,F709]
118	0 FT 2 3 7 5 3 0 8 5 //	AF	N	C	Ceramic capacitor (DE0605SL470J2K) [C724]
119	0 FT 2 3 7 6 1 1 1 8 //	AP		A	Fuse (FBT3) [F707,F708]
120	0 FT 2 3 7 6 4 2 7 3 //	AF	N	C	Ceramic capacitor (DE0705R471K1K) [C717,C718,C732,C740,C763]
121	0 FT 2 3 7 6 5 3 8 5 //	AD		C	Metal film resistor (RSMF1RB 10ΩJ) [R840]
122	0 FT 2 3 7 6 5 4 0 7 //	AD		C	Metal film resistor (RSMF1RB 1.5KΩJ) [R863,R864]
123	0 FT 2 3 7 7 0 2 7 3 //	AD		C	Metal film resistor (RSMF12B 100K OHMJ) [R701,R711,R712]
124	0 FT 2 3 7 7 9 5 5 6 //	AP		A	Fuse (AC125V 0.16A) [F705]
125	0 FT 2 3 7 8 3 4 1 3 //	AF		B	Zener diode (RD10ES-B2) [D760]
126	0 FT 3 1 6 5 6 3 8 9 //	BA	N	B	Transformer EXT42820-600 [T701]
127	0 FT 3 1 6 5 6 8 6 9 //	BA	N	C	Reactor EXL42850-191B [L704]
128	0 FT 3 3 0 0 1 4 6 0 //	AK		B	Photo coupler (PC123FY) [PC701,PC702,PC703]
129	0 FT 3 3 0 5 2 5 0 //	AG		C	Terminal (00438 JIS C1100R-1/4H SNPB)
130	0 FT 3 3 0 7 3 6 3 1 //	AU	N	B	Rectifier F6P20F [RC706]
131	0 FT 3 3 0 7 7 1 7 3 //	AK	N	C	Metal film resistor (RSMF1.5KΩJ) [R836]
132	0 FT 3 3 0 9 4 4 9 3 //	AF	N	C	Capacitor AMC-103K50 [C2,C709,C720,C800,C824,C854]
133	0 FT 3 3 0 9 4 5 1 5 //	AF	N	C	Capacitor AMC-472K50 [C4]
134	0 FT 3 3 1 0 5 3 4 7 //	AS		B	Traiac (TMG16C60F) [CR701]
135	0 FT 3 3 1 6 7 2 8 8 //	AF		C	Ceramic capacitor (DE1007E222M-KH) [C702,C703,C711]
136	0 FT 3 3 1 8 3 1 0 0 //	AZ	N	B	IC (UPC2412AHF) [Z705]
137	0 FT 3 3 1 8 5 5 5 3 //	AF	N	C	Ceramic capacitor (DE0905R102K1KV) [C744,C745,C746,C747,C748,C749,C750,C751,C772,C773,C794,C795]
138	0 FT 3 3 2 8 3 7 2 5 //	AF	N	C	Film capacitor (AMC-103K50) [C712,C722,C726]
139	0 FT 3 3 2 8 3 7 3 3 //	AP	N	C	Capacitor AMC-47350 [C7]
140	0 FT 3 3 2 9 3 9 7 6 //	AF		C	Ceramic capacitor (DD104-63CH470J50) [C799]
141	0 FT 3 3 3 2 2 0 7 0 //	AU		C	Connector (B26B-XADSS-F) [CN704]
142	0 FT 3 3 3 2 2 0 8 9 //	AU		C	Connector (B30B-XADSS-F) [CN703]
143	0 FT 3 3 3 2 2 0 9 7 //	AU		C	Connector (B34B-XADSS-F) [CN702]
144	0 FT 3 3 3 8 5 0 0 5 //	AU	N	B	IC (UPC2933HF) [Z707]
145	0 FT 3 3 4 0 8 1 8 8 //	AZ	N	B	FET 2SK2368 [Q702,Q703,Q704]
146	0 FT 3 3 4 0 9 6 0 0 //	AZ	N	B	IC (FA5316P) [Z701]
147	0 FT 3 3 4 4 1 5 9 2 //	AP	N	C	Film capacitor (ECQU2A105ML) [C701]
148	0 FT 3 3 4 4 1 6 1 4 //	AP	N	C	Film capacitor (ECQU2A474ML) [C707]
149	0 FT 3 3 4 5 2 4 6 2 //	AU	N	C	Tube (45H-DIA13.5-30)
150	0 FT 3 3 4 6 3 8 5 5 //	AP	N	C	Cement resistor (MEG05N6R8JB135 5W6.8OHMJ) [R714,R715]
151	0 FT 3 3 4 7 7 0 1 5 //	BA	N	C	Chemical capacitor (HU42D122MRZ) [C714,C715]
152	0 FT 3 3 4 7 7 0 3 1 //	BA	N	C	Reactor (S5688G) [L712]
153	0 FT 3 3 4 7 7 0 5 8 //	BA	N	C	Reactor LF-25-25280 [L701,L702]
154	0 FT 3 3 4 7 9 6 4 6 //	AZ	N	B	FET 2SK2368 [Q732]
155	0 FT 3 3 4 8 6 8 9 8 //	BA	N	C	Fin (APH34200-524)
156	0 FT 3 3 4 8 6 9 2 8 //	AK	N	C	Plate
157	0 FT 3 3 4 8 6 9 4 4 //	AX	N	C	Fin (APH34200-523)
158	0 FT 3 3 4 8 7 3 9 8 //	BF	N	C	Chassis



## Index

PARTS CODE	NO.	PRICE RANK	NEW MARK	PART RANK	
[C]					
CCAB-0888FC62	1- 10	BD	N	E	
CCAB-0888FC63	1- 10	BD	N	E	
CCAB-0888FC64	1- 10	BD	N	E	
CCAB-0888FC65	1- 10	BD	N	E	
CCAB-0927FC41	1- 10	BB	N	E	
CCAB-0927FC42	1- 10	BB	N	E	
CCAB-0927FC44	1- 10	BB	N	E	
CCAB-0927FC45	1- 10	BB	N	E	
CFRM-0953FC02	17- 23	AS	N	C	
CiNSE1949FC51	39- 37	AZ	N	D	
CiNSE1950FC51	39- 39	AP	N	D	
CiNSE1951FC51	39- 37	BB	N	D	
CiNSE1954FC51	39- 37	BB	N	D	
CiNSE1977FC51	39- 37	AZ	N	D	
CiNSE1978FC51	39- 39	AQ	N	D	
CiNSE1979FC51	39- 37	BA	N	D	
CiNSE1982FC51	39- 37	BB	N	D	
CiNSF1952FC51	39- 37	BE	N	D	
CiNSF1980FC51	39- 37	BE	N	D	
CiNSG1953FC51	39- 37	BE	N	D	
CiNSG1981FC51	39- 37	BE	N	D	
CiNSR1959FC51	39- 37	BE	N	D	
CiNSR1987FC51	39- 37	BE	N	D	
CiNSS1955FC51	39- 37	BE	N	D	
CiNSS1983FC51	39- 37	BE	N	D	
CiNSZ1960FC51	39- 37	BE	N	D	
CiNSZ1988FC51	39- 37	BE	N	D	
CPAKA5760FC32	39- 7	BE	N	D	
CPLTM5400FC01	10- 32	AP		C	
CPLTM5401FC02	10- 32	AY		C	
CPLTM5435FC02	6- 33	AN		C	
CPNLC0242FC03	3- 33	AU		D	
CPNLC0242FC06	3- 33	AT		D	
CPWBF1287FC32	54-901	CB	N	E	
CPWBF1419FC31	53-901	CB	N	E	
"	54-901	CB	N	E	
CPWBN1418FC52	9- 79	BQ	N	E	
CPWBN1437FC53	5- 53	CZ	N	E	
"	44-901	CZ	N	E	
CPWBN1438FC51	43-901	DB	N	E	
CPWBN1438FC52	5- 53	DB	N	E	
"	43-901	DB	N	E	
CPWBN1439FC51	5- 53	DB	N	E	
"	43-901	DB	N	E	
CPWBN1440FC31	40-901	BY	N	E	
CPWBN1441FC31	41-901	BY	N	E	
CPWBN1442FC31	3- 2	BY	N	E	
"	46-901	BY	N	E	
CPWMN1438FC51	5- 53	DB	N	E	
[D]					
DHAi-2904FC12	11- 25	AM	N	C	
DHAi-3070FCZZ	10- 44	BY		C	
DHAi-3090FCZZ	10- 44	AP		C	
DHAi-3133FCZZ	5- 31	AT	N	C	
DHAi-3134FCZZ	5- 31	AS	N	C	
DUNT-6984FC23	9- 2	CT	N	E	
DUNT-6984FC24	9- 2	CT	N	E	
DUNT-6984FC31	9- 2	CU	N	E	
DUNT-7051FCZZ	5- 67	CC	N	E	
DUNTW6931FC23	16-901	CC	N	E	
"	17-901	CC	N	E	
DUNTW6931FC24	16-901	CC	N	E	
"	17-901	CC	N	E	
DUNTW6931FC25	16-901	CC	N	E	
"	17-901	CC	N	E	
DUNTW6931FC44	16-901	CC	N	E	
"	17-901	CC	N	E	
DUNTW6931FC45	16-901	CC	N	E	
"	17-901	CC	N	E	
[G]					
GCAB-0933FCZZ	2- 19	AW	N	D	
[H]					
HPNLC0241FCZZ	3- 28	AX		D	
HPNLH0238FCZ1	3- 9	BF		D	
[L]					
LDAIU0615FCZZ	12- 21	AG	N	C	
LPLTM5398FCZZ	11- 14	AR		C	
LPLTM5430FCZ1	6- 45	AN		C	

PARTS CODE	NO.	PRICE RANK	NEW MARK	PART RANK	
LPLTM5666FCZ1	10- 50	AF		C	
LPLTM5666FCZZ	10- 49	AG		C	
LSUPP0060FCZZ	11- 15	AA		C	
LX-NZ0032FCZZ	43- 1	AA		C	
[N]					
NFANP0048FCZZ	9- 51	AY		B	
NFANP0060FCZZ	9- 51	AX		B	
NFLY-0010FCZZ	12- 10	AN		C	
[P]					
PCOVP1454FCZ1	5- 4	AN		C	
PCOVP1518FCZZ	5- 10	AE		D	
PCOVW0829FCZZ	43- 2	AC		D	
PCUSS0369FCZZ	5- 92	AF		C	
PCUSS0371FCZZ	5- 91	AE	N	C	
PSHEP4812FCZZ	3- 8	AR	N	C	
PSHEP4816FCZ1	3- 37	AE	N	C	
"	39- 41	AE	N	C	
PSHEP4816FCZ2	3- 37	AE	N	C	
"	39- 41	AE	N	C	
PSHEP4816FCZ3	3- 37	AE	N	C	
"	39- 41	AE	N	C	
PSHEP4816FCZZ	3- 37	AE	N	C	
"	39- 41	AE	N	C	
PSHEP4817FCZ1	3- 37	AE	N	C	
"	39- 41	AE	N	C	
PSHEP4817FCZ2	3- 37	AE	N	C	
"	39- 41	AE	N	C	
PSHEP4817FCZ3	3- 37	AE	N	D	
"	39- 41	AE	N	D	
PSHEP4817FCZZ	3- 37	AE	N	C	
"	39- 41	AE	N	C	
PSHEP4818FCZ1	3- 27	AH	N	C	
"	39- 41	AE	N	C	
PSHEP4818FCZ2	3- 27	AE	N	C	
"	39- 41	AE	N	C	
PSHEP4818FCZ3	3- 27	AE	N	C	
"	39- 41	AE	N	C	
PSHEP4818FCZZ	3- 27	AH	N	C	
"	39- 41	AE	N	C	
PSHEP4851FCZZ	9- 95	AB	N	C	
PSHEZ4819FCZ1	3- 27	AH	N	C	
"	39- 41	AH	N	C	
PSHEZ4819FCZ2	3- 27	AH	N	C	
"	39- 41	AH	N	C	
PSHEZ4819FCZ3	3- 27	AH	N	C	
"	39- 41	AH	N	C	
PSHEZ4819FCZZ	3- 27	AH	N	C	
"	39- 41	AH	N	C	
PSPA1413FCZZ	43- 3	AC		C	
[Q]					
QACCR7421QCZZ	11- 24	AY		C	
QCNCM0972FCZZ	43- 4	AH		C	
QCNCM0974FCZZ	43- 5	AK		C	
QCNCM0990FCZZ	43- 6	AE		C	
QCNCM0991FCZZ	43- 7	AG		C	
QCNCM0998FCZZ	43- 8	AF		C	
QCNCM1015FCZZ	43- 9	AG		C	
QCNCW1020FCZZ	43- 10	AF		C	
QCNCW1046FCZZ	43- 11	AK		C	
QPLGA0005QCZZ	11- 24	AN	N	B	
QSOCZ0073FCZZ	40- 11	AL		C	
"	43- 12	AL		C	
QSOCZ6428ACZZ	43- 13	AE		C	
[R]					
RC-KZ1054CCN2	43- 14	AB		C	
RCiLF0080FCZZ	43- 15	AC		C	
RCORF0030FCZZ	5- 90	AM		C	
RCORF5010BCZZ	5- 84	AD		C	
RCORF6693RCZZ	5- 85	AK		C	
RCRS-0049FCZZ	43- 16	AP		B	
RCRS-0050FCZZ	43- 16	AP		B	
RCRS-0051FCZZ	43- 17	AP		B	
RCRS-0052FCZZ	43- 17	AP		B	
RCRS-0055FCZZ	43- 18	AP		B	
RCRS-0056FCZZ	43- 19	AP		B	
RCRS-0064FCZZ	43- 20	AP	N	B	
RCRS-0065FCZZ	43- 20	AP	N	B	
RCRSP6676RCZZ	43- 21	AG		B	
RFiLN6012RCZZ	43- 22	AB		C	
RFiLN6013RCZZ	43- 23	AB		C	
RFiLZ0028FCZZ	43- 24	AD		C	

PARTS CODE	NO.	PRICE RANK	NEW MARK	PART RANK
RFILZ0032FCZZ	43- 25	AD		C
RMP TC4220QCJJ	43- 26	AC		B
RMP TM0034FCZZ	43- 27	AC		B
[S]				
SPAKA5895FCZ2	39- 2	AX	N	D
SPAKA5896FCZ2	39- 2	AT		D
SPAKA5962FCZ1	39- 2	AW	N	D
SPAKA5963FCZ1	39- 2	AW	N	D
SPAKA6074FCZZ	39- 12	AG	N	D
SPAKC6081FC11	39- 1	BC	N	D
SPAKC6081FC12	39- 1	BC	N	D
SPAKC6081FC13	39- 1	BC	N	D
SPAKC6081FC14	39- 1	BC	N	D
SPAKC6081FC15	39- 1	BC	N	D
SPAKC6081FCZZ	39- 1	BC	N	D
SPAKC6082FC11	39- 1	BC	N	D
SPAKC6082FC12	39- 1	BC	N	D
SPAKC6082FCZZ	39- 1	BC	N	D
SPAKC6083FC11	39- 1	BD	N	D
SPAKC6083FC12	39- 1	BD	N	D
SPAKC6084FCZZ	39- 1	BD	N	D
[T]				
TCADS0649FCZZ	39- 36	AM		D
TCADZ0098QSZZ	39- 42	AF		D
TCADZ1442FCZZ	39- 43	AE		D
TCADZ2001QCZA	39- 36	AE		D
TGANE1001QCZB	39- 42	AC		D
TLABH4259FCZZ	39- 52	AH		C
TLABH4410FCZZ	39- 51	AK		C
TLABH4411FCZZ	39- 50	AE		D
[U]				
UBATL2033SCZZ	43- 28	AK		B
[V]				
VCCCTV1HH300J	43- 29	AA		C
VCCCTV1HH6R0D	43- 30	AA		C
VCEA2U0JW108M	43- 31	AD		C
VCEA2U1CW477M	43- 32	AD		C
VCEA2U1VW227M	43- 33	AD		C
VCEAJU0JW107M	43- 34	AB		C
VCEAJU0JW226M	43- 35	AB		C
VCEAJU0JW337M	43- 36	AC		C
VCEAJU1HW105M	43- 37	AB		C
VCEAJU1HW335M	43- 38	AB		C
VCKYTV1HB102K	43- 39	AA		C
VCKYTV1HF103Z	43- 40	AA		C
VCKYTV1HF104Z	43- 41	AA		C
VCKYTV1HF223Z	43- 42	AA		C
VHDDAN202K/-1	46- 39	AB		B
VHDDAN217//--1	43- 43	AC		B
VHDDAP202K/-1	43- 44	AB		B
"	46- 40	AB		B
VHDDSS133HV-1	43- 45	AA		B
VHDRB160L40-1	43- 46	AD		B
VHDRB411D//--1	43- 47	AD		B
VHEHZZS5A1//--1	43- 48	AC		B
VHEHZZS6A1//--1	43- 49	AC		B
VHERD22FB//--1	41- 37	AD		B
VH i 28F161A20C	40- 1	BE	N	B
VH i 28F161A21C	40- 1	BE	N	B
VH i 28F161A23C	40- 1	BE	N	B
VH i 28F161A24C	40- 1	BE	N	B
VH i 28F161A26C	41- 1	BE	N	B
VH i 28F161A27C	41- 1	BE	N	B
VH i 28F162A13F	43-200	BL	N	B
VH i 28F162A14F	43-200	BL	N	B
VH i 28F162A16F	43-200	BL	N	B
VH i 28F162A17F	43-200	BL	N	B
VH i 28F162A19F	44-200	BL	N	B
VH i 28F162A20F	44-200	BL	N	B
VH i 28F321-02C	46- 1	BS	N	B
VH i 28F321-03C	46- 1	BS	N	B
VH i 28F321-05C	46- 1	BS	N	B
VH i 28F321-06C	46- 1	BS	N	B
VH i 28F321-08C	46- 1	BS	N	B
VH i 28F321-09C	46- 1	BS	N	B
VH i 74AC04SJX/	43- 50	AE	N	B
VH i 74AC08SJX/	43- 51	AE	N	B
VH i 74ACT08SCX	43- 52	AE	N	B
VH i 74ACT32SCX	43- 53	AD	N	B
VH i 74F32SJ/-1	46- 52	AE		B
VH i 74VHCT04-1	41- 53	AF		B

PARTS CODE	NO.	PRICE RANK	NEW MARK	PART RANK
VH i 74VHCT08AJ	43- 54	AD	N	B
VH i 74VHCT240X	43- 55	AF	N	B
VH i 74VHCT244X	43- 56	AF	N	B
VH i 74VHCT245X	43- 57	AF	N	B
VH i AT28C64B-1	43- 58	AZ		B
VH i D65806GL-1	43- 59	BK		B
VH i D65808GL-1	43- 60	BM		B
VH i D65948GL-1	43- 61	BH		B
VH i D82165GC-1	43- 62	BE		B
VH i D82355GN-1	43- 63	BS		B
VH i D82356GN-1	43- 64	BS		B
VH i DM74ALS574	43- 65	AK	N	B
VH i DM74AS04JX	43- 66	AF	N	B
VH i DM74AS157M	43- 67	AL	N	B
VH i DM74AS74MX	43- 68	AG	N	B
VH i DS90C401-1	43- 69	AU		B
VH i HD74LV04AF	46- 55	AD		B
VH i HD74LV08AF	46- 53	AD		B
VH i HD74LV14AF	46- 56	AD		B
VH i HD74LV32AF	40- 54	AD		B
"	41- 54	AD		B
"	46-100	AD		B
VH i i S61C25612	43- 70	AN		B
VH i i S61C51215	40- 42	AU		B
"	41- 40	AU		B
"	46-102	AU		B
VH i LH537C0G-1	43- 71	BC		B
VH i LM339NS/-1	43- 72	AD		B
VH i LZ9AT36/-1	43- 73	BB		B
VH i M66235FP-1	43- 74	AT		B
VH i MB86604L-1	43- 75	BC		B
VH i MCF5202P25	43- 76	BG		B
VH i MM74HC138S	41- 45	AE	N	B
VH i MM74HC151S	41- 46	AE	N	B
VH i MM74HCT244	46-103	AF	N	B
VH i NJU6356E-1	43- 77	AK		B
VH i S61C102415	43- 78	AV	N	B
VH i SD6416-100	43- 79	BG		B
VH i TD62503F/-	43- 80	AG		B
VH i XL i 2050X-1	43- 81	BQ		B
VHPMVR3864K-J	43- 82	AC		B
VRS-RE3LA201J	41-106	AC	N	B
VRS-RE3LA241J	41-107	AC	N	B
VRS-TS2AD000J	43- 83	AA		C
VRS-TS2AD101J	43- 84	AA		C
VRS-TS2AD102J	43- 85	AA		C
VRS-TS2AD103J	43- 86	AA		C
VRS-TS2AD105J	43- 87	AA		C
VRS-TS2AD122J	43- 88	AA		C
VRS-TS2AD151J	43- 89	AA		C
VRS-TS2AD200J	43- 90	AA		C
VRS-TS2AD220J	43- 91	AA		C
VRS-TS2AD221J	43- 92	AA		C
VRS-TS2AD222J	43- 93	AA		C
VRS-TS2AD223J	43- 94	AA		C
VRS-TS2AD224J	43- 95	AA		C
VRS-TS2AD301J	43- 96	AA		C
VRS-TS2AD331J	43- 97	AA		C
VRS-TS2AD363J	43- 98	AA		C
VRS-TS2AD391J	43- 99	AA		C
VRS-TS2AD393J	43-100	AA		C
VRS-TS2AD472J	43-101	AA		C
VRS-TS2AD562J	43-102	AA		C
VRS-TS2AD683J	43-103	AA		C
VRS-TS2AD820J	43-104	AA		C
VRS-TS2AD911J	43-105	AA		C
VRS-TS2AD913J	43-106	AA		C
VRS-TW2ED221J	43-107	AA		C
VRS-TW2ED331J	43-108	AA		C
VRSTS2AD2940F	43-109	AA		C
VRSTS2AD3570F	43-110	AA		C
VSDTA114YK/-1	43-111	AC		B
VSDTC114EK/-1	40-101	AB		B
"	41-105	AB		B
"	43-112	AB		B
VSDTC114YK/-1	43-113	AC		B
VSDTC124XK/-1	43-114	AB		B
[X]				
XHBSE40P08000	12- 22	AA		C
[O]				
0CW2254K003C/	64- 1	AU		C

PARTS CODE	NO.	PRICE RANK	NEW MARK	PART RANK
0CW2254K521//	65- 61	AG		C
0CW2254K530H//	66-127	CA		E
0CW2254P047B//	65- 16	AF		C
0CW2254P049C//	63- 1	AG		D
0CW2254P114E//	64- 18	AT	N	C
0CW2254P330B//	66- 78	AE		C
0CW2254P496//	65- 60	AE		C
0CW4048P300//	66-140	AC		C
0FT23006212//	53- 1	AP		B
0FT23007529//	53- 2	AF	N	B
0FT23034135//	53- 3	AC		C
0FT23055159//	53- 4	AD		B
0FT23078361//	53- 5	AH		B
0FT23078876//	53- 6	AH		B
0FT23080986//	53- 7	AG		B
0FT23088421//	53- 8	AK		C
0FT23105423//	53- 9	AE		C
0FT23107000//	53- 10	AC	N	B
0FT23138429//	53- 11	AK		B
0FT23144925//	53- 12	AD	N	C
0FT23149366//	53- 13	AH		B
0FT23150526//	53- 14	AN		C
0FT23165175//	53- 15	AH		C
0FT23188655//	53- 16	AP		C
0FT23188663//	53- 17	AH		C
0FT23188728//	53- 18	AP		C
0FT23195236//	53- 19	AC		B
0FT23198634//	53- 20	AF		B
0FT23223116//	53- 21	AF		B
0FT23239837//	53- 22	AK		C
0FT23246191//	53- 23	AF		B
0FT23246205//	53- 24	AF		B
0FT23259196//	53- 25	AK	N	C
0FT23259242//	53- 26	AF		C
0FT23259269//	53- 27	AF		C
0FT23259285//	53- 28	AF		C
0FT23259307//	53- 29	AH		C
0FT23262464//	53- 30	AU		C
0FT23265420//	53- 31	AE		B
0FT23285758//	53- 32	AK		B
0FT23287815//	53- 33	AF		C
0FT23288153//	53- 34	AE		B
0FT23291235//	53- 35	AE		B
0FT23292762//	53- 36	AL		C
0FT23305589//	53- 37	AK	N	C
0FT23330605//	53- 38	AF	N	B
0FT23339823//	53- 39	AK	N	C
0FT23355705//	53- 40	AF		B
0FT23371158//	53- 41	AK		C
0FT23382060//	53- 42	AN	N	C
0FT23382079//	53- 43	AG		C
0FT23397858//	53- 44	AK	N	C
0FT23400433//	53- 45	AF		B
0FT23405087//	53- 46	AN		B
0FT23412644//	53- 47	AH		C
0FT23413403//	53- 48	AU		B
0FT23418200//	53- 49	AC	N	C
0FT23418235//	53- 50	AC		C
0FT23418383//	53- 51	AC		C
0FT23418421//	53- 52	AC		C
0FT23418510//	53- 53	AC		C
0FT23418529//	53- 54	AC		C
0FT23418537//	53- 55	AC		C
0FT23418545//	53- 56	AC		C
0FT23418553//	53- 57	AC		C
0FT23418588//	53- 58	AC		C
0FT23418596//	53- 59	AC		C
0FT23418618//	53- 60	AC		C
0FT23418626//	53- 61	AC		C
0FT23418634//	53- 62	AC		C
0FT23418669//	53- 63	AC		C
0FT23418685//	53- 64	AC		C
0FT23418693//	53- 65	AC		C
0FT23418715//	53- 66	AC	N	C
0FT23418804//	53- 67	AC		C
0FT23418820//	53- 68	AC		C
0FT23419002//	53- 69	AC	N	C
0FT23419010//	53- 70	AC		C
0FT23419401//	53- 71	AC		C
0FT23419452//	53- 72	AC		C
0FT23419584//	53- 73	AC	N	C

PARTS CODE	NO.	PRICE RANK	NEW MARK	PART RANK
0FT23423816//	53- 74	AC		C
0FT23429784//	53- 75	AU		B
0FT23453847//	53- 76	AC		C
0FT23455750//	53- 77	AF	N	C
0FT23476820//	53- 78	AK		C
0FT23483428//	53- 79	AF		B
0FT23486192//	53- 80	AH	N	C
0FT23516261//	53- 81	AD		C
0FT23537080//	53- 82	AD		C
0FT23537129//	53- 83	AD		C
0FT23537137//	53- 84	AD		C
0FT23537226//	53- 85	AD		C
//	54-258	AD	N	B
0FT23539423//	53- 86	AK		C
0FT23555402//	53- 87	AD		A
0FT23562298//	53- 88	AD	N	C
0FT23562336//	53- 89	AD	N	C
0FT23562379//	53- 90	AD	N	C
0FT23562794//	53- 91	AD	N	C
0FT23562816//	53- 92	AC	N	C
0FT23562859//	53- 93	AD	N	C
0FT23562875//	53- 94	AD	N	C
0FT23563073//	53- 95	AC	N	C
0FT23563278//	53- 96	AC	N	C
0FT23563286//	53- 97	AC		C
0FT23563316//	53- 98	AC		C
0FT23563456//	53- 99	AC	N	C
0FT23563871//	53-100	AF	N	C
0FT23593282//	53-101	AH		C
0FT23601552//	53-102	AF		B
0FT23606732//	53-103	AD		B
0FT23611329//	53-104	AK		C
0FT23621944//	53-105	AC	N	C
0FT23637387//	53-106	AK	N	C
0FT23642909//	53-107	AH		C
0FT23642917//	53-108	BA		C
0FT23644618//	53-109	AL		C
//	54-257	AL	N	B
0FT23644634//	53-110	AK		C
0FT23665984//	53-111	AU		B
0FT23671658//	53-112	AP		B
0FT23697355//	53-113	AU		C
0FT23707598//	53-114	AD		C
0FT23709604//	53-115	AP		B
0FT23723119//	53-116	AL		A
0FT23723127//	53-117	AK		A
0FT23753085//	53-118	AF	N	C
0FT23761118//	53-119	AP		A
0FT23764273//	53-120	AF	N	C
0FT23765385//	53-121	AD		C
0FT23765407//	53-122	AD		C
0FT23770273//	53-123	AD		C
0FT23779556//	53-124	AP		A
0FT23783413//	53-125	AF		B
0FT31656389//	53-126	BA	N	B
0FT31656869//	53-127	BA	N	C
0FT33001460//	53-128	AK		B
0FT33055250//	53-129	AG		C
0FT33073631//	53-130	AU	N	B
0FT33077173//	53-131	AK	N	C
0FT33094493//	53-132	AF	N	C
0FT33094515//	53-133	AF	N	C
0FT33105347//	53-134	AS		B
0FT33167288//	53-135	AF		C
0FT33183100//	53-136	AZ	N	B
0FT33185553//	53-137	AF	N	C
0FT33283725//	53-138	AF	N	C
0FT33283733//	53-139	AP	N	C
0FT33293976//	53-140	AF		C
0FT33322070//	53-141	AU		C
0FT33322089//	53-142	AU		C
0FT33322097//	53-143	AU		C
0FT33385005//	53-144	AU	N	B
0FT33408188//	53-145	AZ	N	B
0FT33440960//	53-146	AZ	N	B
0FT33441592//	53-147	AP	N	C
0FT33441614//	53-148	AP	N	C
0FT33452462//	53-149	AU	N	C
0FT33463855//	53-150	AP	N	C
0FT33477015//	53-151	BA	N	C
0FT33477031//	53-152	BA	N	C





# SHARP

**COPYRIGHT © 2000 BY SHARP CORPORATION**

All rights reserved.

No part of this publication may be reproduced,  
stored in a retrieval system, or transmitted,  
in any form or by any means,  
electronic, mechanical, photocopying, recording, or otherwise,  
without prior written permission of the publisher.

**SHARP CORPORATION**  
**Digital Document Systems Group**  
**Quality & Reliability Control Center**  
**Yamatokoriyama, Nara 639-1186, Japan**  
2000 March