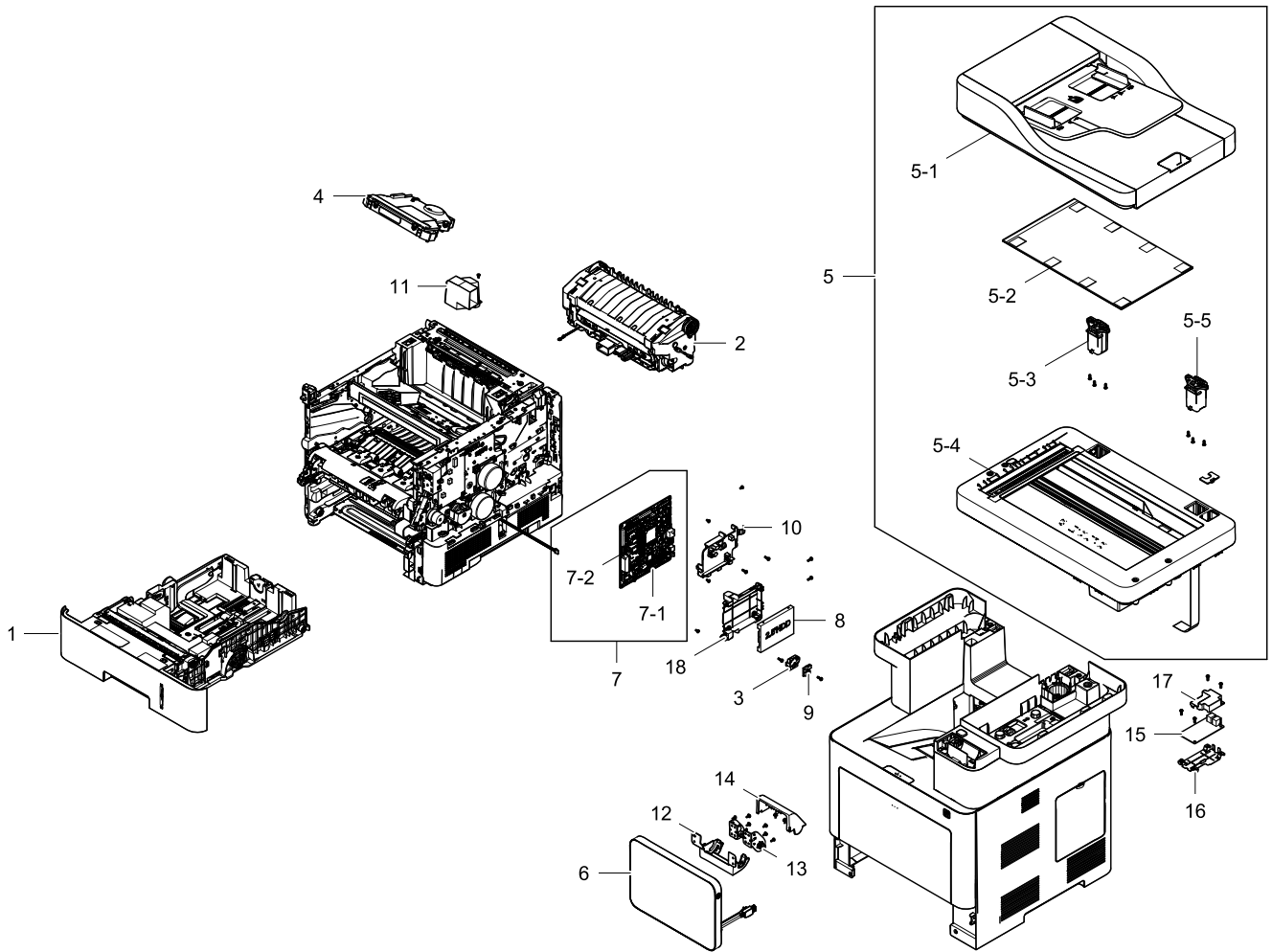


# 1. MAIN

## Exploded View



## Parts List

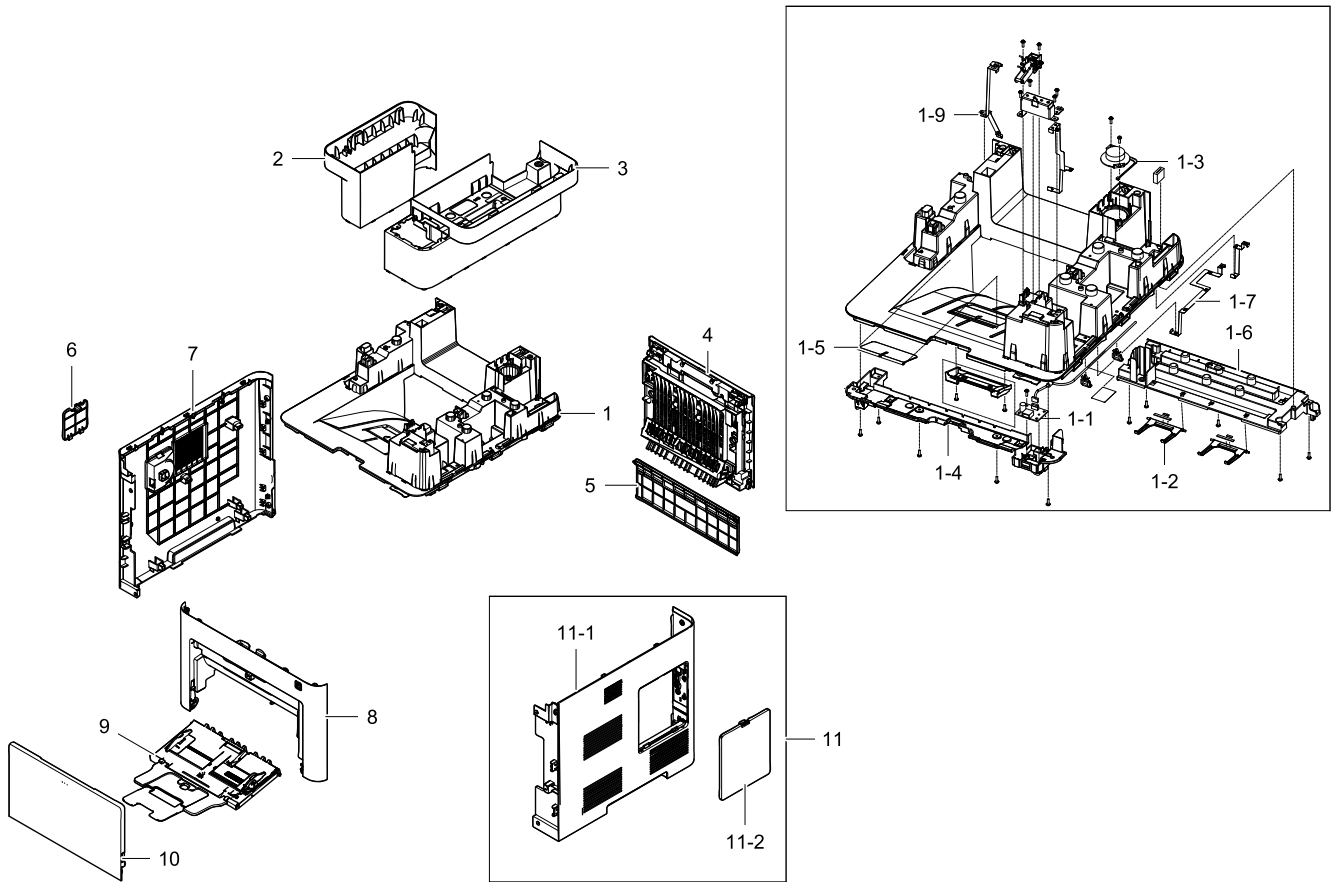
No.	Lvl.	Material Code	Description & Specification	SNA	Qty.	Remark
1	1	JC90-01091B	CASSETTE; M4580,SEC	SA	1	
2	3	JC91-01177A	FUSER; M4580,SEC,WORLD,220V	SA	1	For 220V model
		JC91-01176A	FUSER; M4580,SEC,WORLD,110V	SA	1	For 110V model
3	2	JC61-03217A	HOLDER-SENSOR HUMIDITY; CLX-9350,ABS+PC,2	SNA	1	
4	3	JC97-03877A	LSU; ML-5010ND,SEC,Single,A4(Ltr),600dpi,	SA	1	
5	1	JC97-04500A	MFA; M4580,SEC	SNA	1	
5-1	2	JC97-04451A	ADF; M4580,SEC,BROWN BLACK	SA	1	
5-2	2	JC63-04347A	SHEET-WHITE; SL-M4072,PP,0.45,W217.37,L36	SA	1	
5-3	2	JC97-04911A	HINGE-LEFT; M4580, C2680, M4080, C4062	SA	1	

## Exploded Views and Parts List

No.	Lvl.	Material Code	Description & Specification	SNA	Qty.	Remark
5-4	2	JC97-04458A	PLATEN; M4580,SEC	SA	1	
5-5	2	JC97-04912A	HINGE-RIGHT; M4580, C2680, M4080, C4062	SA	1	
6	2	JC97-04499B	OPE; M4580,SEC	SA	1	
7	1	JC98-04185A	BOARD-MAIN; M4580FX,SEC,PBA+DIMM+BATTERY+	SNA	1	For SL-M4580FX
		JC98-04185B	BOARD-MAIN; M4583FX,SEC,PBA+DIMM+BATTERY+	SNA	1	For SL-M4583FX
7-1	2	JC92-02722A	PBA-MAIN; M4580,SEC,C4N,6L,MAIN PBA,155 x	SA	1	For SL-M4580FX
		JC92-02722B	PBA-MAIN; M4583,SEC,C4N,6L,MAIN PBA,155 x	SA	1	For SL-M4583FX
7-2	2	JC92-02534A	PBA-RAM DIMM 2048MB; SL-C4821ND/SLI,SEC,F	SA	1	
8	3	JC59-00035A	HDD; 320G,HTS543232A7A384,S63,H16,C16383,	SA	1	
9	2	JC32-00005A	SENSOR-HUMIDITY; CHS-CSC-20,CLP-660,0~50C	SA	1	
10	2	JC61-06337A	HOLDER-HARNESS CIS; M4580,ABS,BLACK,HF-06	SNA	1	
11	2	JC61-06336A	HOLDER-FAN2; M4580,ABS,BLACK,HF-0660I	SNA	1	
12	2	JC63-04670A	COVER-HINGE LOWER; M4580,ABS,2.0T,SEC,SPL	SA	1	
13	2	JC61-06325A	HINGE-OPE; M4580,SK5	SA	1	
14	2	JC63-04669A	COVER-HINGE UPPER; M4580,ABS,2.0T,SEC,SPL	SNA	1	
15	2	JC92-02569A	PBA-LIU; cuhead,CX95110-22Z,SPI,3.3V,90MM	SA	1	
16	2	JC61-06300A	BRACKET-FAX; M4580,EGI-SECC,0.6,PRESS	SNA	1	
17	2	JC63-04039A	COVER-FAX BOARD; SCX-4726FN,ABS,55.6,50.2	SA	1	
18	3	JC61-03510A	GUIDE-ADAPTOR_HDD; ML-4550,PC,NH-1035,BLA	SNA	1	

## 2. COVER

### Exploded View



### Parts List

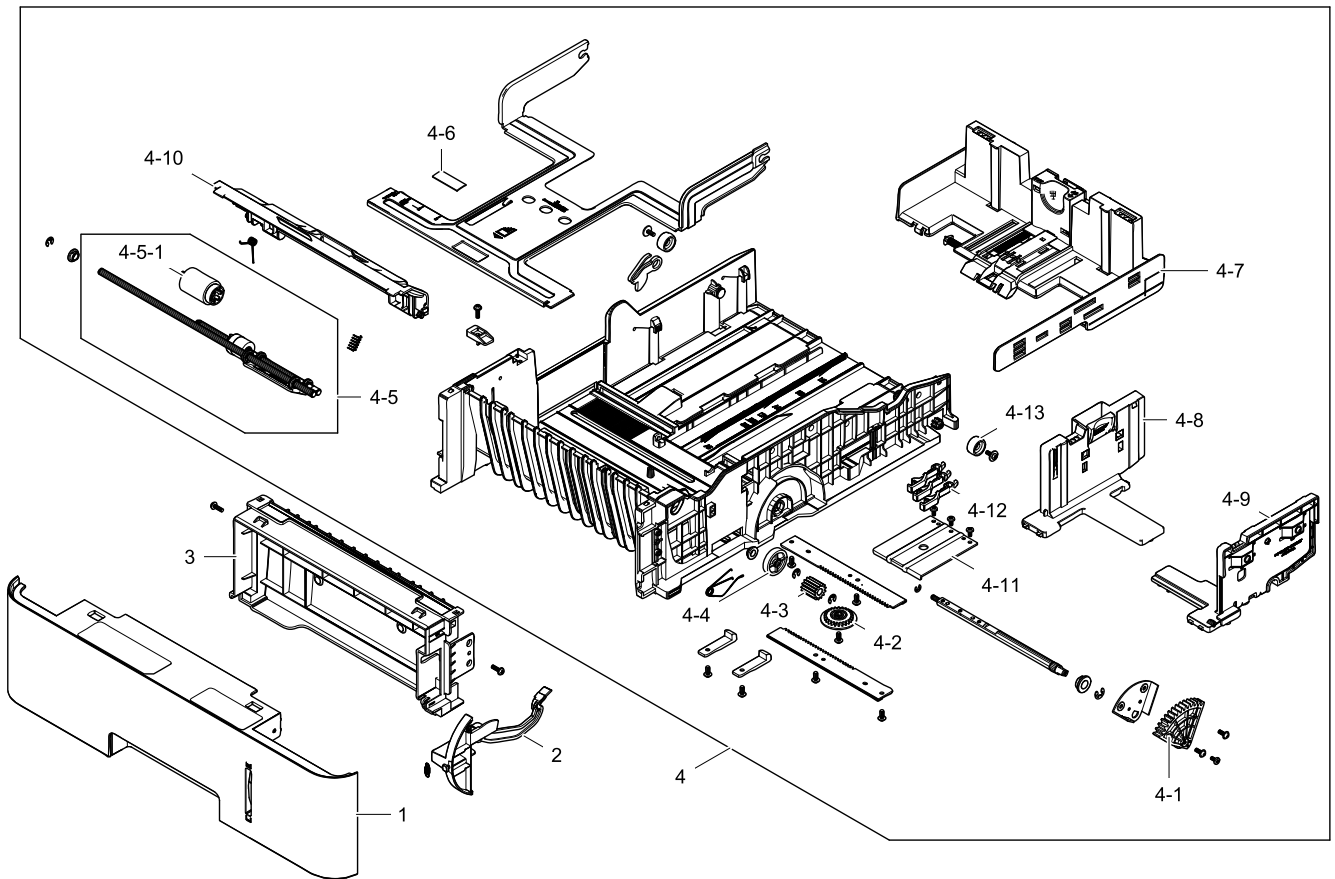
No.	Lvl.	Material Code	Description & Specification	SNA	Qty.	Remark
1	2	JC95-01947A	COVER-MIDDLE; M4580,SEE	SA	1	For SL-M4580FX
		JC95-01947B	COVER-MIDDLE; M4583,SEE	SA	1	For SL-M4583FX
1-1	3	JC92-02048A	PBA-USB HOST; CLX-3170FN,SEC,,45mm*35mm*	SA	1	
1-2	3	JC66-02904A	LEVER-STACKING; ML-5015ND,PC,77,64.3,BLAC	SA	2	
1-3	3	3001-002262	SPEAKER; 0.3W,8ohm,81dB,400Hz,50x16.4mm	SA	1	
1-4	3	JC63-04656A	COVER-USB; M4580,HIPS,SPLIT BROWN BLACK,H	SNA	1	
1-5	3	JC72-01367G	TRAY-ASF OUT; M4580,ABS,SPLIT BROWN BLACK	SNA	1	
1-6	3	JC63-04655A	COVER-REAR DUMMY; M4580,HIPS,SPLIIT GRAY,	SNA	1	
1-7	3	JC63-04641A	GROUND-FAX F; M4580,STS304,0.2,GROUND	SNA	1	

Exploded Views and Parts List

No.	Lvl.	Material Code	Description & Specification	SNA	Qty.	Remark
1-9	3	JC63-04696A	GROUND-SCAN MIDDLE; M4580,STS301,0.2,GROU	SNA	1	
2	2	JC63-04652A	COVER-MIDDLE L; M4580,ABS,SPLIIT BROWN BL	SA	1	
3	2	JC95-01945A	COVER-MIDDLE_R; M4580,SEC	SA	1	
4	2	JC95-01409B	COVER-REAR; M4580,SEE	SA	1	
5	2	JC63-03014B	COVER-CASSETTE REAR; M4580,HIPS,SPLIT GRA	SNA	1	
6	2	JC63-04695A	COVER-LEFT NFC; M4580,HIPS,SPLIIT GRAY,S-	SA	1	
7	2	JC63-04646A	COVER-LEFT; M4580,HIPS,SPLIIT GRAY,S-834	SNA	1	
8	2	JC95-01948A	COVER-FRONT; M4580,SEE	SA	1	
9	2	JC90-01083B	MP SUB-TRAY; M4580,SEC	SA	1	
10	2	JC63-04648A	COVER-MP; M4580,HIPS,SPLIIT GRAY,S-834	SA	1	For SL-M4580FX
		JC63-04648B	COVER-MP; M4580,HIPS,SPLIT GRAY,SHG85	SA	1	For SL-M4583FX
11	2	JC95-01950A	COVER-RIGHT; M4580,SEE	SA	1	
11-1	3	JC63-04647A	COVER-RIGHT; M4580,HIPS,SPLIIT GRAY,S-834	SNA	1	
11-2	3	JC63-04650A	COVER-RIGHT DIMM; M4580,HIPS,SPLIIT GRAY,	SA	1	

## 3. CASSETTE

### Exploded View



### Parts List

No.	Lvl.	Material Code	Description & Specification	SNA	Qty.
1	2	JC64-00961A	HANDLE-CASSETTE; M4580,HIPS,62.4,112.5,43	SNA	1
2	2	JC64-00962A	INDICATOR-PAPER; M4580,ABS,SPLIT GRAY,HF-	SA	1
3	2	JC81-08737B	CSP-FRAME_GUIDE PAPER DUMMY; ML-4210ND,AB	SNA	1
4	2	JC90-01288A	CASSETTE FRAME; M4580,SEC	SNA	1
4-1	3	JC81-08478A	CSP-GEAR LIFTING; ML-6510ND,POM,F20-02	SA	1
4-2	3	JC66-01020A	GEAR-M_PINION 24; SCX-6345N/XRX,POM,1,24,	SA	1
4-3	3	JC81-08477A	CSP-GEAR IDLE RETARD; ML-6510ND,POM,M90-4	SNA	1
4-4	3	JC66-01676A	GEAR-PICKUP DRIVE; SCX-6555N,POM,1,25,NAT	SA	1
4-5	3	JC90-01049A	CASSETTE-RETARD; ML-6510ND,XRX	SNA	1
4-5-1	4	JC97-02259A	ADF-MEA UNIT-ROLLER PU; SCX-6345N/XRX,XER	SA	1
4-6	3	JC69-00494A	PAD-MP(PLUS); SCX-5315F,Urethan Sponge,90	SA	1
4-7	3	JC90-01050F	CASSETTE SUB-GUIDE REAR PAPER; M4580,SEC	SA	1
4-8	3	JC90-01047D	CASSETTE SUB-SIDE RIGHT; M4580,SEC	SA	1
4-9	3	JC90-01048C	CASSETTE SUB-SIDE LEFT; M4580,SEC	SA	1

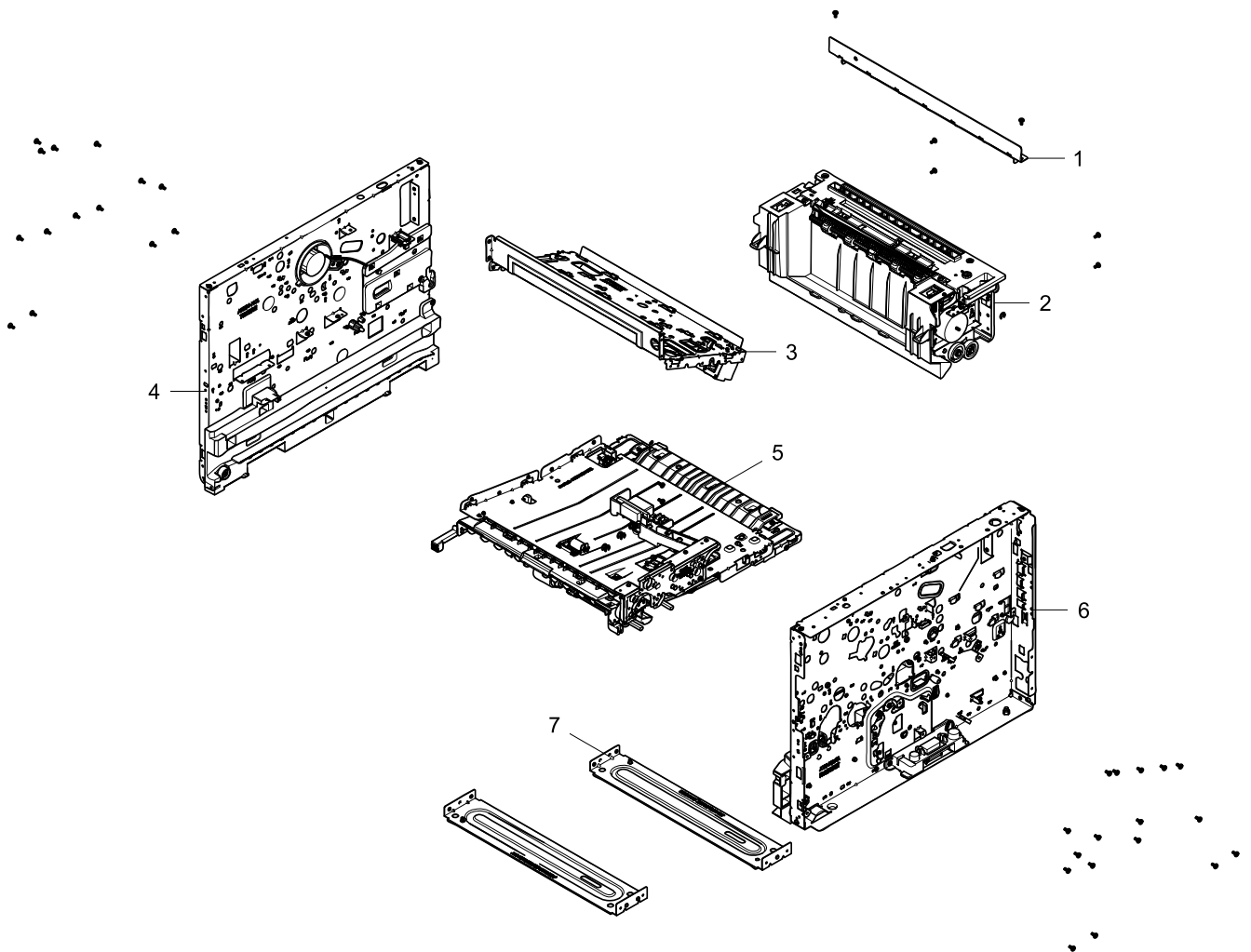
Exploded Views and Parts List

---

No.	Lvl.	Material Code	Description & Specification	SNA	Qty.
4-10	3	JC81-08479C	CSP-CAP-RETARD; CLP-775ND,ABS+PC(NH-1000T	SNA	1
4-11	3	JC61-03206A	PLATE-LEVER; CLX-9350,EGI-SECC,1.6T,73.6,	SA	1
4-12	3	JC81-08485A	CSP-DETECTOR PAPER SIZE; ML-6510ND,POM,M9	SNA	3
4-13	5	JC61-03882A	ROLLER IDLE-PRESSURE_CASSETTE; ML-6510ND,	SNA	1

## 4. FRAME-BASE

### Exploded View

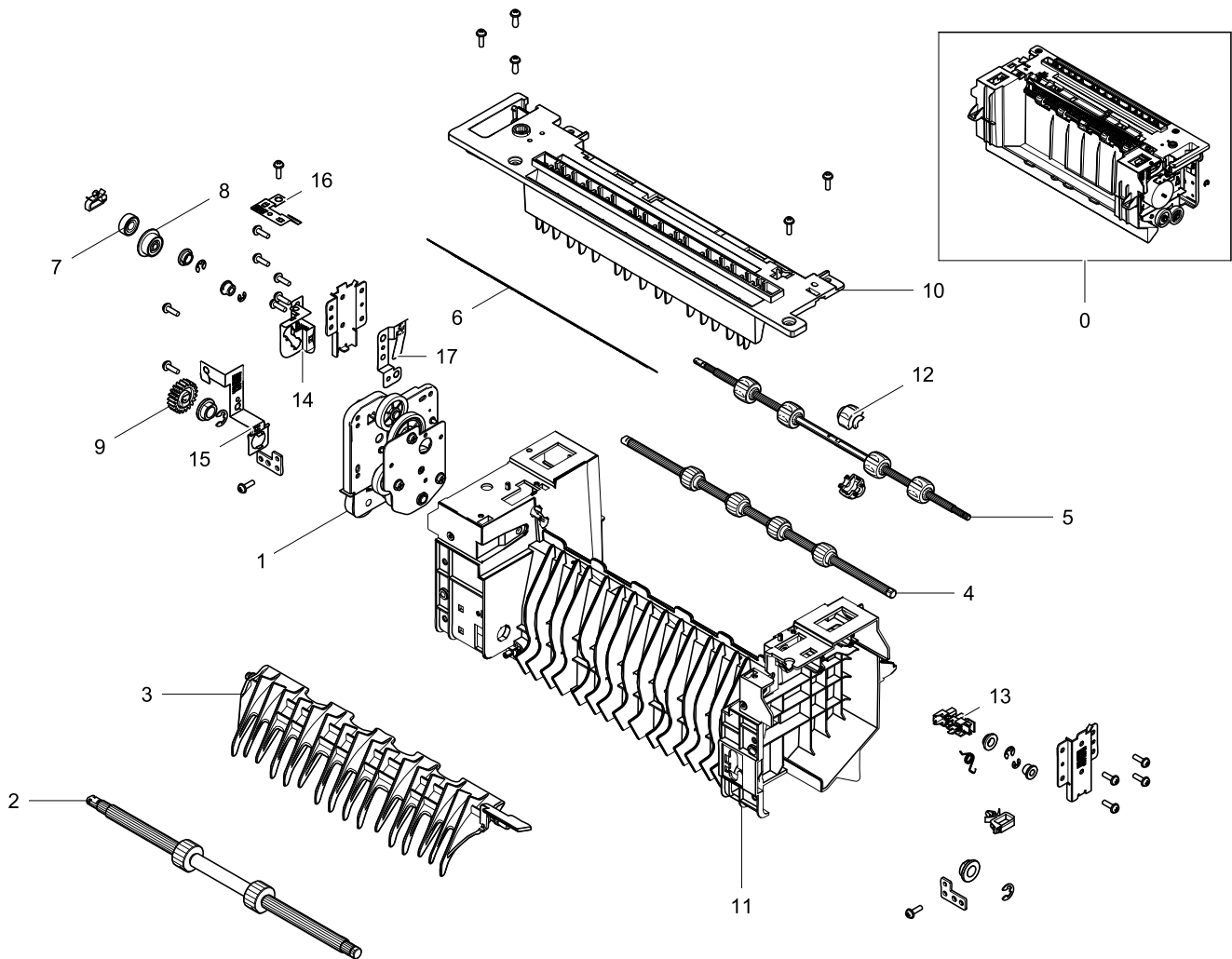


### Parts List

No.	Lvl.	Material Code	Description & Specification	SNA	Qty.
1	3	JC61-04269A	BRACKET-SUPPORT FRAME; ML-5015ND,SECC,1.2	SNA	1
2	3	JC90-01071C	EXIT; M4530	SA	1
3	3	JC93-00955A	FRAME-UPPER; M4580,SEE	SNA	1
4	3	JC93-00364A	FRAME-LEFT; ML-5015ND,SEC	SNA	1
5	3	JC90-01076A	DUPLEX; ML-5015ND,SEC	SA	1
6	3	JC93-00367B	FRAME-RIGHT; ML-4510ND,XIC	SNA	1
7	3	JC61-04271A	BRACKET-CROSS BAR R; ML-5015ND,SECC,1.0T	SNA	1

# 4.1. EXIT

## Exploded View



## Parts List

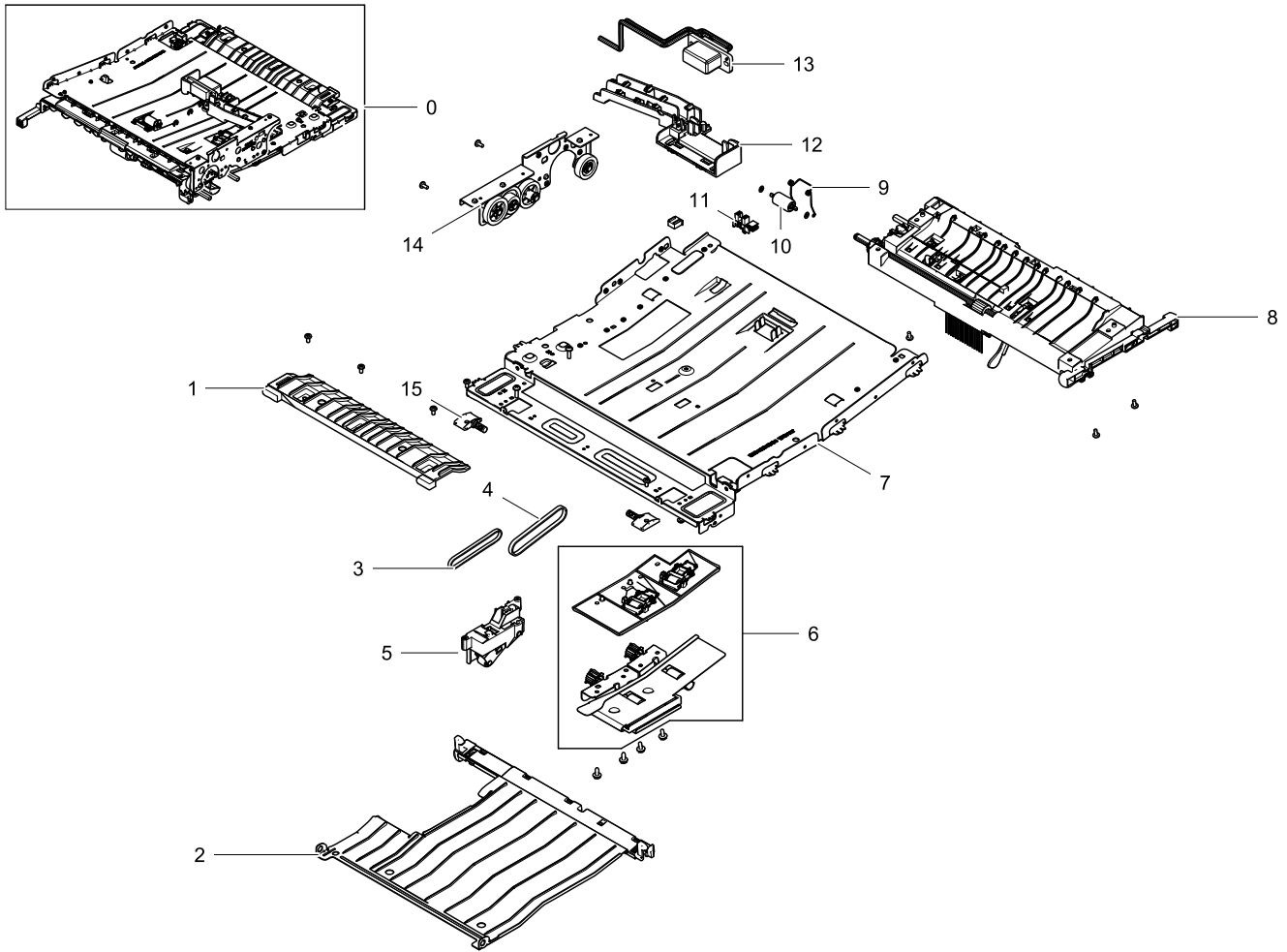
No.	Lvl.	Material Code	Description & Specification	SNA	Qty.
0	3	JC90-01071C	EXIT; M4530	SA	1
1	4	JC93-00349B	DRIVE EXIT; M4580,MD	SNA	1
2	4	JC66-02969A	ROLLER IDLE; ML-5015ND,EPDM,SUM22,7	SA	1
3	4	JC61-03891A	GUIDE-DEFLECTOR; ML-6510ND,PC,NH-1035,BLA	SNA	1
4	4	JC66-02663A	ROLLER-EXIT_UPPER; ML-6510ND,EPDM,SUM22,6	SNA	1
5	4	JC66-02664A	ROLLER-EXIT_LOWER; ML-6510ND,EPDM	SNA	1
6	4	JC67-00295A	BRUSH-ANTISTATIC; CLP-660,AL+SUS FIBER,22	SNA	1
7	4	JC66-01017A	GEAR-M_EXIT UPPER; SCX-6345N/XRX,POM,0,8,	SA	1
8	4	JC66-01018A	GEAR-M_EXIT LOWER; SCX-6345N/XRX,POM,0,8,	SA	1
9	4	JC66-00854A	GEAR-M-EXIT DUP Z21; ML-3560,POM,1,0,21,B	SA	1
10	4	JC61-04283A	FRAME-CAP EXIT; ML-5015ND,ABS+PC,BLACK	SNA	1
11	4	JC61-04282B	FRAME-EXIT; M4580,ABS+PC,230NH,SPLIT BROW	SNA	1



No.	Lvl.	Material Code	Description & Specification	SNA	Qty.
12	4	JC67-00477A	CAP-ROLLER_EXIT; ML-6510ND,PC,Black	SNA	2
13	4	0604-001325	PHOTO-INTERRUPTER; TR,BK	SA	1
14	4	JC63-02998A	GROUND-ROLLER UPPER; ML-5015ND,C5210,0.2,	SNA	1
15	4	JC63-02999A	GROUND-ROLLER LOWER; ML-5015ND,C5210,0.2,	SNA	1
16	4	JC63-03009A	GROUND-EXIT; ML-5015ND,C5210,0.2,GROUND	SNA	1
17	4	JC63-03001A	GROUND-MAILBOX; ML-5015ND,C5210,0.2,GROUN	SNA	1

## 4.2. DUPLEX

### Exploded View



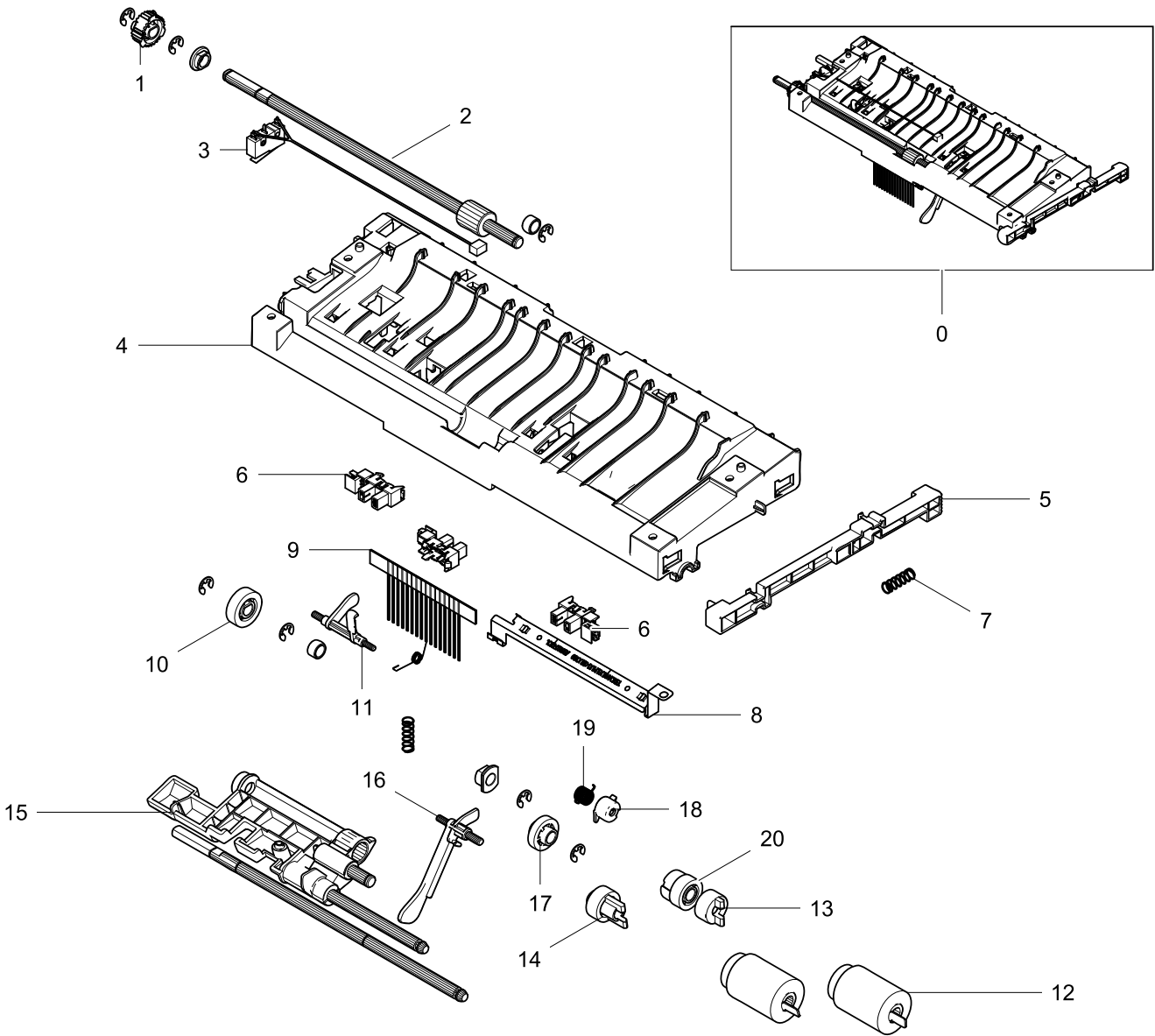
### Parts List

No.	Lvl.	Material Code	Description & Specification	SNA	Qty.
0	3	JC90-01076A	DUPLEX; ML-5015ND,SEC	SA	1
1	4	JC61-04267A	GUIDE-DUPLEX REAR; ML-5015ND,ABS,BLACK,GU	SA	1
2	4	JC90-01087A	DUPLEX-GUIDE LOWER; ML-5015ND,SEC	SA	1
3	4	6602-001588	BELT-TIMING GEAR; RUBBER,T3.2,L152	SNA	1
4	4	6602-001581	BELT-TIMING GEAR; RUBBER,T1.36,L168MM,BLK	SA	3
5	4	JC93-00369A	FRAME-STOPPER CASSETTE; ML-5015ND,SEC	SA	1
6	4	JC90-01084A	DUPLEX-FEEDER UPPER; ML-5015ND,SEC	SA	1
7	4	JC61-04221A	GUIDE-DUPLEX UPPER; SECC,1.0T,PAPER	SA	1
8	4	JC93-00383A	FRAME-PICK UP; ML-5015ND,SEC	SA	1
9	4	6107-002857	SPRING-TS; SWP B,BK,0.70,ID3.4,5.79	SA	1
10	4	JC66-02291A	ROLLER IDLE-IDLE MP; CLX-9350,POM,NW-02,N	SNA	1
11	4	0604-001325	PHOTO-INTERRUPTER; TR,BK	SA	1

No.	Lvl.	Material Code	Description & Specification	SNA	Qty.
12	4	JC61-04253A	HOLDER-HARNESS DRAW; ML-5015ND,ABS,BLACK	SA	1
13	4	JC39-01444A	HARNESS-FUSER_FR; ML-4510ND,UL10272,AWG26	SNA	1
14	4	JC93-00352A	DRIVE-DUPLEX; SEC,ML-5015ND	SA	1
15	4	JC61-04249A	HOLDER-DUP LOWER; ML-5015ND,ABS+GF20%,BLA	SA	2

**4.2.1. FRAME PICK UP**

**Exploded View**

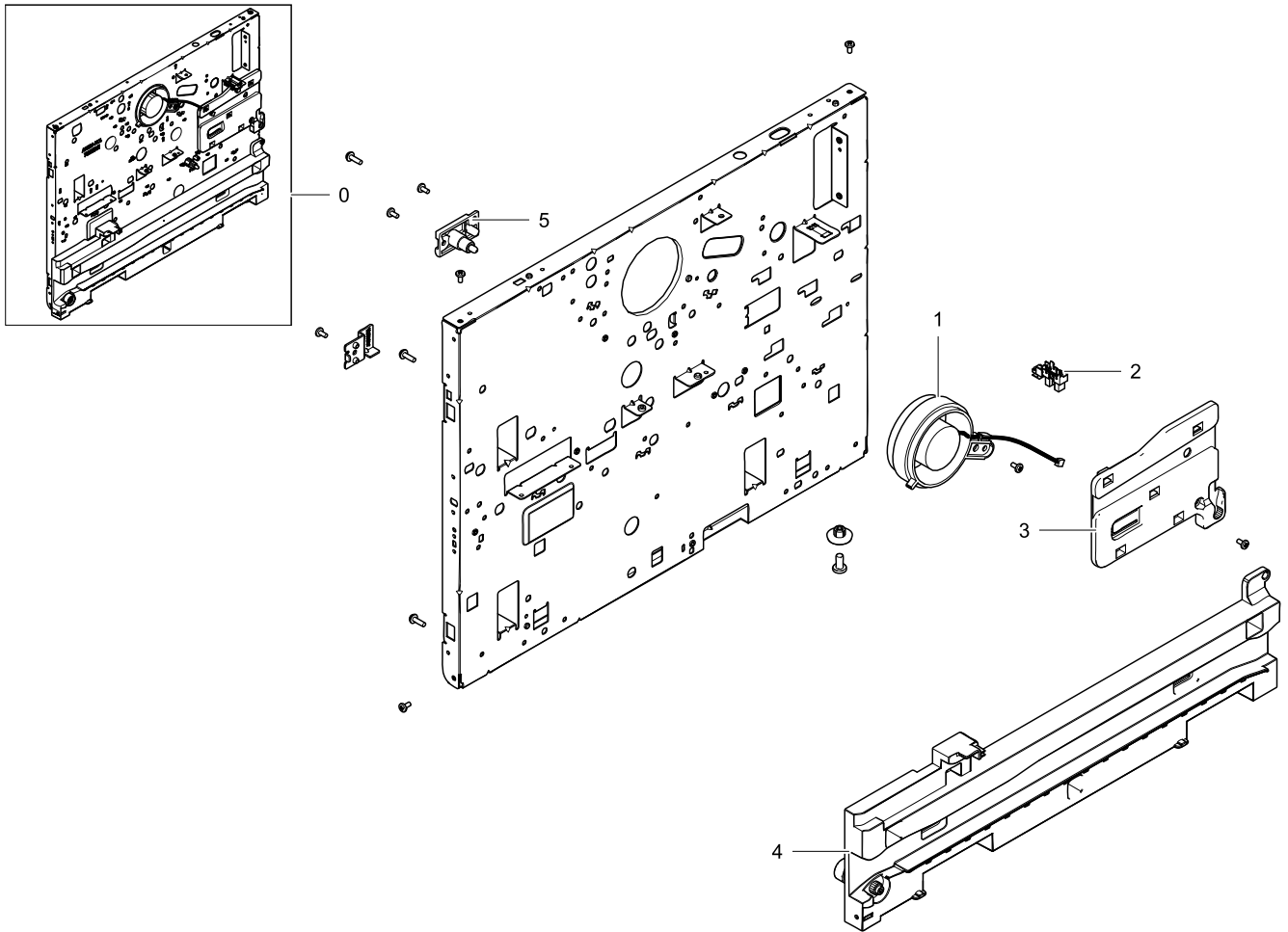


## Parts List

No.	Lvl.	Material Code	Description & Specification	SNA	Qty.
0	4	JC93-00383A	FRAME-PICK UP; ML-5015ND,SEC	SA	1
1	5	JC66-02902A	PULLEY-DUPLEX; ML-5015ND,POM	SA	1
2	5	JC66-02966A	ROLLER IDLE-DUPELX_DRIVE; ML-5015ND,EPDM,	SA	1
3	5	JC39-01443A	HARNESS-DUP & UPLIMIT_SEN; ML-4510ND,UL1027	SNA	1
4	5	JC61-04255A	HOLDER-PICK UP; ML-5015ND,PC+GF20%	SNA	1
5	5	JC70-00598A	ADJUST-DUPLEX OPEN; ML-5015ND,ABS,ICE GRE	SNA	1
6	5	0604-001325	PHOTO-INTERRUPTER; TR,BK	SA	3
7	5	6107-002854	SPRING-CS; SWP B,0.5,17.5,4.7,5.7	SA	1
8	5	JC63-02982A	GROUND-DUPLEX BRACKET; ML-5015ND,C5210,0.	SNA	1
9	5	JC67-00468A	BRUSH-PICK; ML-6510ND,SUS FIBER,35,71.7,N	SNA	1
10	5	JC66-02895A	GEAR-RETARD IDLE A; ML-5015ND,POM,0.6,29,	SA	1
11	5	JC66-02906A	ACTUATOR-DUPLEX; ML-5015ND,POM,BLACK,ACTU	SA	1
12	5	JC97-02259A	ADF-MEA UNIT-ROLLER PU; SCX-6345N/XRX,XER	SA	2
13	5	JC97-02292A	MEA UNIT-IDLE FORWARD; SCX-6345N/XRX,XERO	SNA	1
14	5	JC66-00943A	GEAR-M_PU JOINT; SCX-6345N/XRX,POM,0.7,21	SA	1
15	5	JC61-04235A	HOUSING-PICKUP; ML-5015ND,PC	SNA	1
16	5	JC66-02905A	ACTUATOR-PAPER EMPTY; ML-5015ND,PC,BLACK,	SA	1
17	5	JC66-00940A	GEAR-M_IDLE PU; SCX-6345N/XRX,POM,0.7,22,	SA	1
18	5	JC61-04259A	HOLDER-ACTUATOR EMPTY; ML-5015ND,ABS	SNA	1
19	5	6107-002855	SPRING-TS; SUS304,0.5,6.2	SA	1
20	5	JC97-02291A	MEA UNIT-GEAR ONE WAY; SCX-6345N/XRX,XERO	SNA	1

## 4.3. FRAME-LEFT

### Exploded View

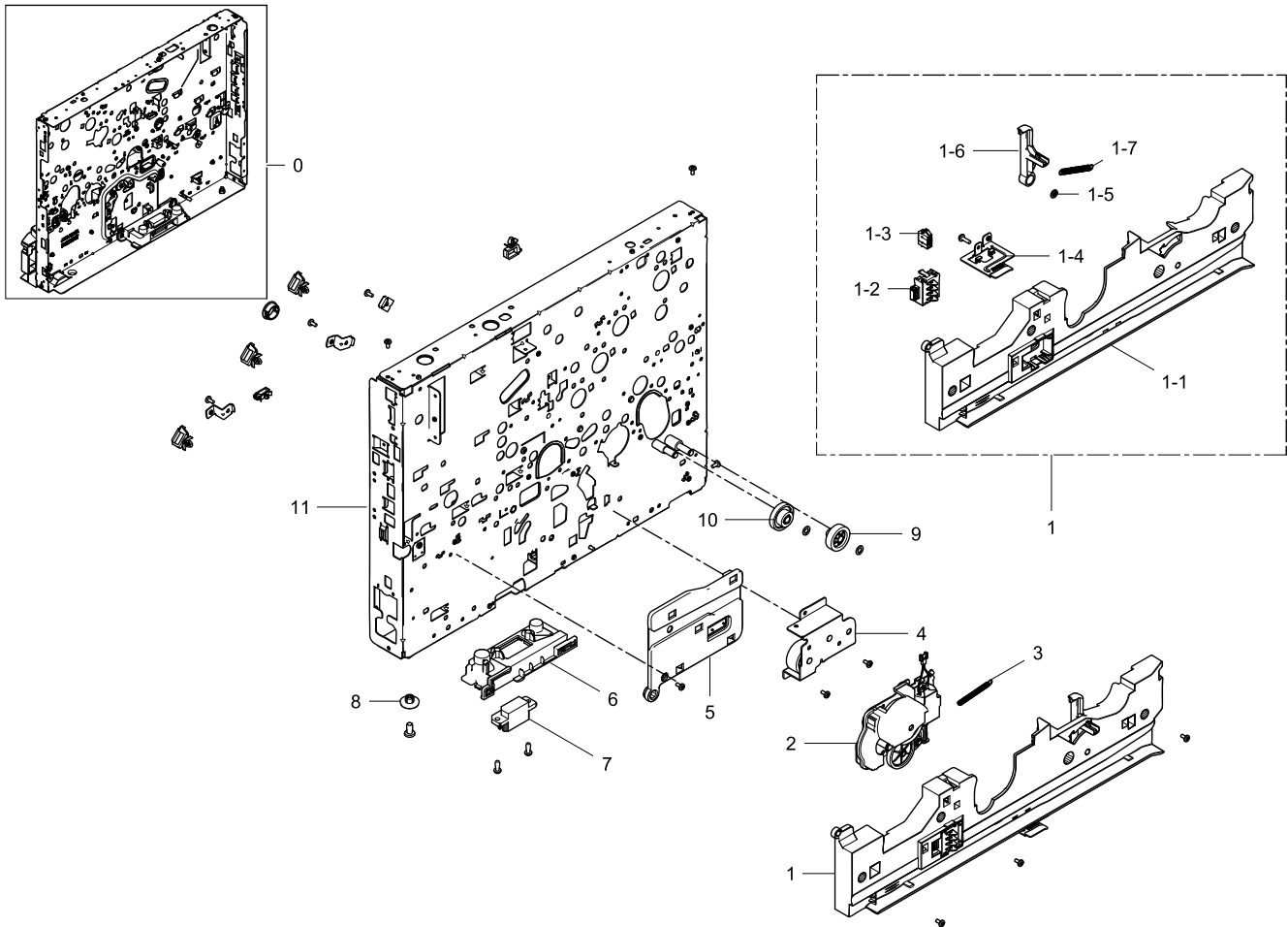


### Parts List

No.	Lvl.	Material Code	Description & Specification	SNA	Qty.
0	3	JC93-00364A	FRAME-LEFT; ML-5015ND,SEC	SNA	1
1	4	JC31-00086A	FAN-DC; CLX-8380ND/XAA,UL10272 AWG#26, AM	SA	1
2	4	0604-001325	PHOTO-INTERRUPTER; TR,BK	SA	6
3	4	JC61-04261A	GUIDE-FUSER L; ML-5015ND,ABS+PET,GC-0700H	SNA	1
4	4	JC93-00360A	FRAME-GUIDE CASSETTE LEFT; ML-5015ND,SEC	SA	1
5	4	JC93-00371A	FRAME-TERMINAL FUSER; ML-5015ND,SEC	SA	1

## 4.4. FRAME-RIGHT

### Exploded View



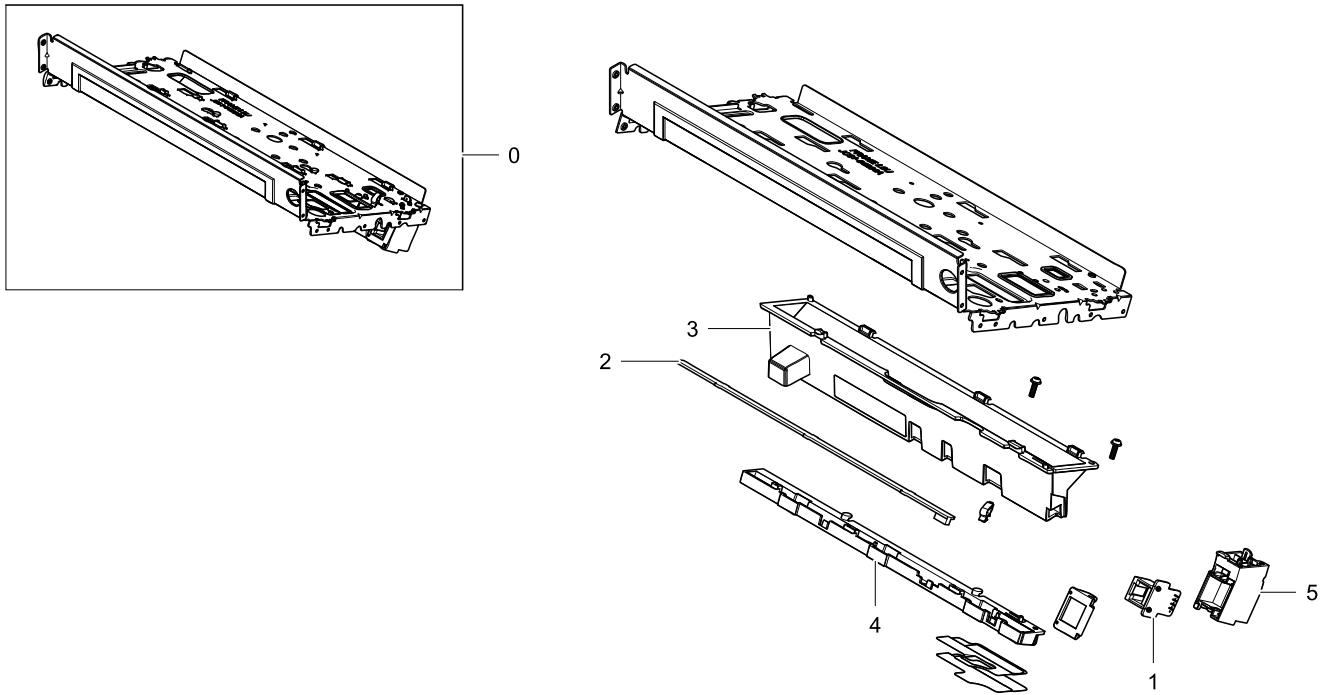
### Parts List

No.	Lvl.	Material Code	Description & Specification	SNA	Qty.
0	3	JC93-00367B	FRAME-RIGHT; ML-4510ND,XIC	SNA	1
1	4	JC93-00361B	FRAME-GUIDE CASSETTE RIGHT; ML-4510ND,XIC	SNA	1
1-1	5	JC61-04265A	GUIDE-CASSETTE R; ML-5015ND,ABS,BLACK,GUI	SNA	1
1-2	5	JC34-00001A	SWITCH-SIGNAL; Lever Type,PBT, POM, BsP,D	SA	1
1-3	5	JC39-01440A	HARNESS-CST_JOINT; ML-4510ND,UL10272,AWG2	SNA	1
1-4	5	JC61-04289A	BRACKET-GROUND CASSETTE; ML-5015ND,SECC,1	SNA	1
1-5	5	6044-000001	RING-CS; ID2.8,OD8,T0.25,BLACK,SK-5	SNA	2
1-6	5	JC66-02627A	LEVER-PICK_UP; ML-6510ND,POM,W66,L29.5,F2	SA	1
1-7	5	6107-001517	SPRING-ES; SWPB,PI0.5,MD5.1,L30,ID4.6,OD5	SA	1
2	4	JC93-00350A	DRIVE-FEED; SEC,ML-5015ND	SA	1
3	4	6107-001259	SPRING-ES; SWP-B,PI0.35,D4.25,L33.8,ID3.9	SA	1
4	4	JC93-00351A	DRIVE FUSER-BRACKET; SEC,ML-5015ND	SA	1
5	4	JC61-04262A	GUIDE-FUSER R; ML-5015ND,ABS+PET,GC-0700H	SNA	1

No.	Lvl.	Material Code	Description & Specification	SNA	Qty.
6	4	JC61-04242A	HOLDER-CONNECTOR SCF; ML-5015ND,ABS+PC,BL	SA	1
7	4	JC39-01441A	HARNESS-SCF; ML-4510ND,UL10272,AWG26,UL10	SA	1
8	4	JC61-03946A	FOOT-HOLDER_LOWER; ML-6510ND,PC,BLACK	SA	2
9	4	JC66-02886A	GEAR-RETARD IDLE B; ML-5015ND,POM,1.0,23,	SA	1
10	4	JC66-02885A	GEAR-RETARD RDCN; ML-5015ND,POM,0.6, 1.0,	SA	1
11	4	JC61-04285A	FRAME-RIGHT; ML-5015ND,EGI-SECC,1	SNA	1

## 4.5. FRAME-UPPER

### Exploded View



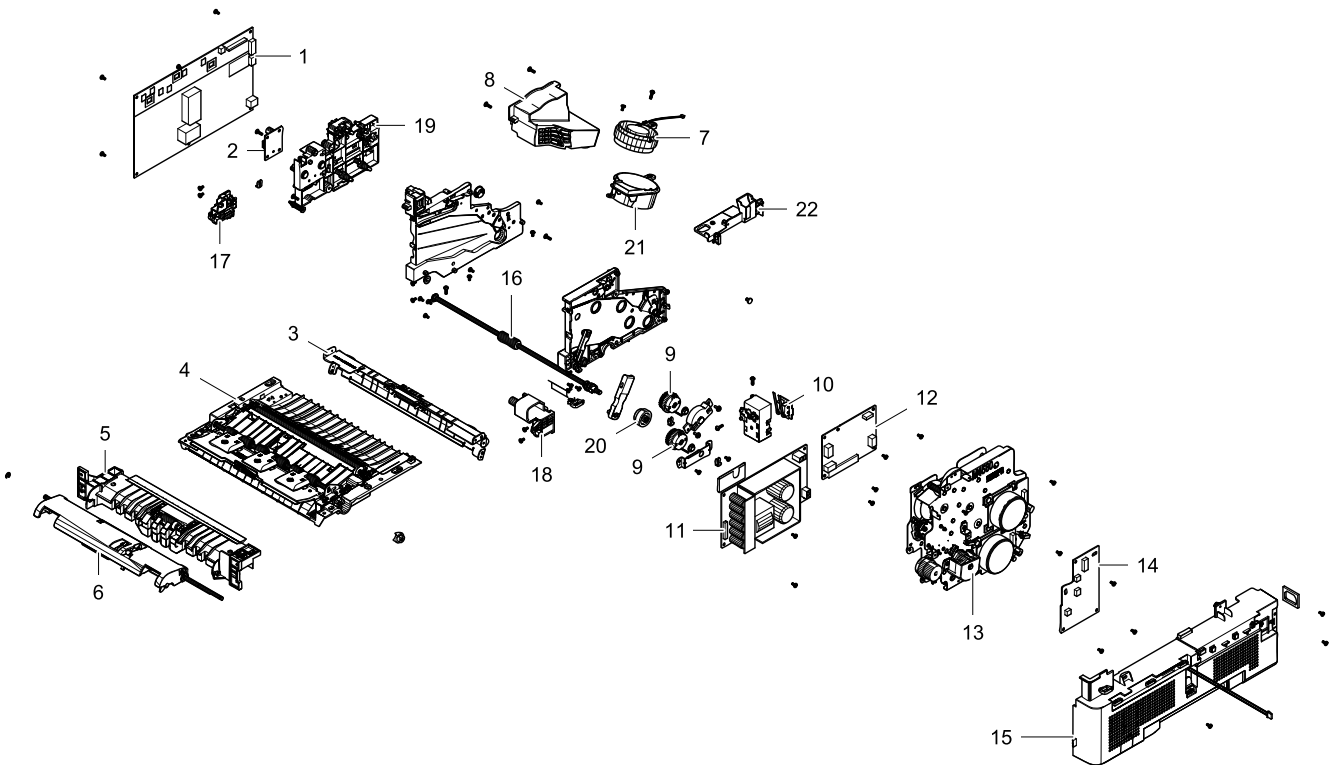
### Parts List

No.	Lvl.	Material Code	Description & Specification	SNA	Qty.
0	3	JC93-00955A	FRAME-UPPER; M4580,SEE	SNA	1
1	4	JC92-02163A	PBA-DEVE CRUM JOINT; CLX-9350,SEC.,FR-4	SNA	2
2	4	JC92-02373A	PBA-ERASER; ML-4510ND,24V,PBA-ERASER,FR-4	SA	1
3	4	JC67-00752A	DUCT-MAIN DEVE; M4580,ABS,HF-0660I,SPLIT	SNA	1
4	4	JC61-04247A	HOLDER-ERASER; ML-5015ND,PC	SNA	1
5	4	JC61-04243A	HOLDER-CONNECTOR DEVE; ML-5015ND,ABS,BLAC	SNA	1



## 5. FRAME-MAIN

### Exploded View



### Parts List

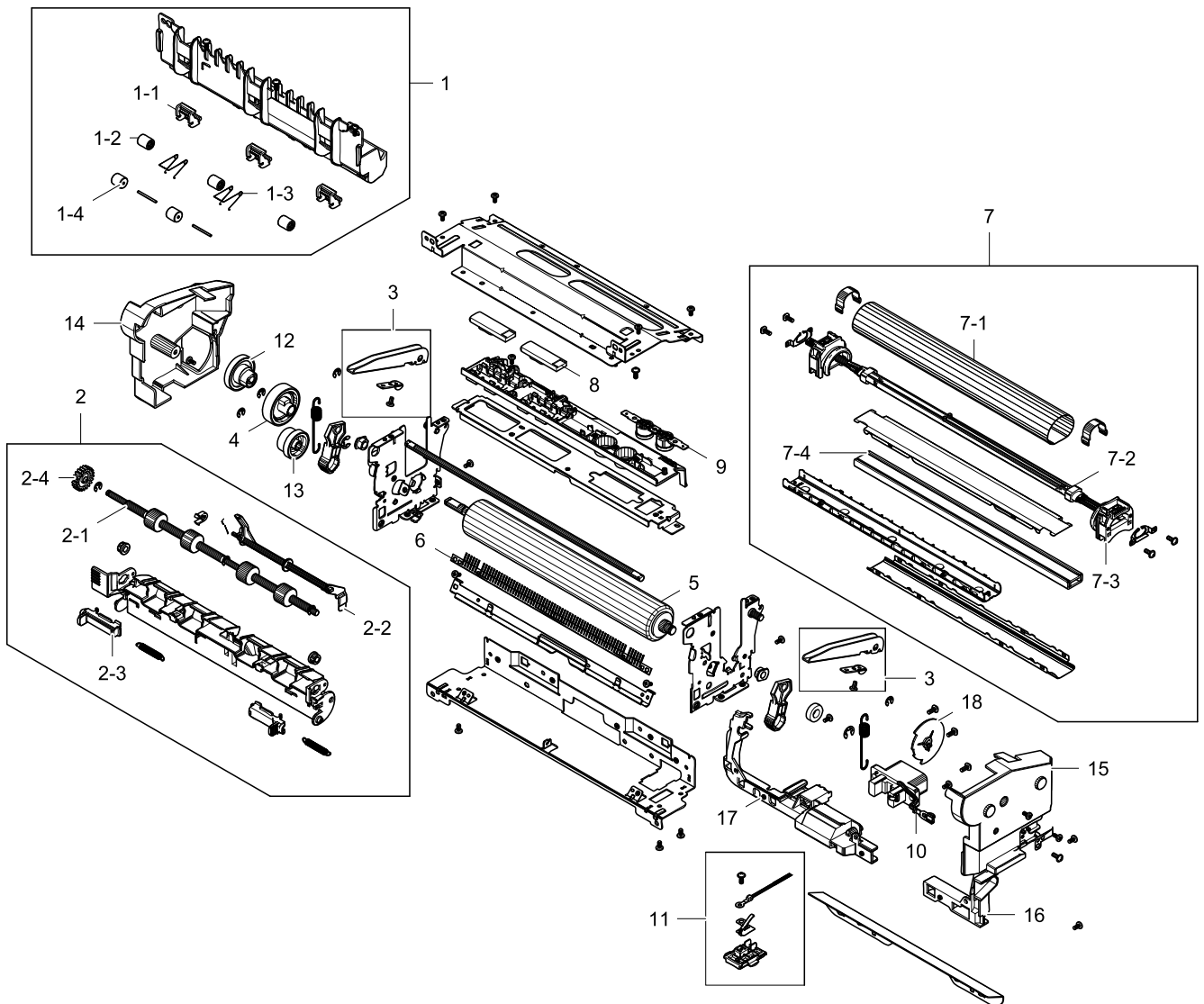
No.	Lvl.	Material Code	Description & Specification	SNA	Qty.	Remark
1	3	JC44-00239A	HVPS; 24V,21.6V~27.6V,MAX 7KV,MAX-2KV,M45	SA	1	
2	3	JC92-02048A	PBA-USB HOST; CLX-3170FN,SEC,,45mm*35mm*	SA	1	
3	3	JC93-00384A	FRAME-FEED IDLE; ML-5015ND,SEC	SNA	1	
4	3	JC93-00959A	FRAME-MIDDLE; M4580,SEE	SA	1	
5	3	JC90-01081A	MP-LOWER; ML-5015ND,SEC	SA	1	
6	3	JC90-01079A	MP-UPPER; ML-5015ND,SEC	SA	1	
7	3	JC31-00086A	FAN-DC; CLX-8380ND/XAA,UL10272 AWG#26, AM	SA	1	
8	3	JC67-00516A	DUCT-FAN MAIN; ML-5015ND,ABS,BLACK	SNA	1	
9	3	JC47-00033E	CLUTCH-ELECTRIC; ML-4510ND,POM,2.5kgf.cm	SA	2	
10	3	JC92-02371A	PBA-COVER OPEN SENSOR; ML-4510ND,SEC,COVE	SA	1	
11	3	JC44-00092C	SMPS-V2; ML-5010ND,PSPN-Type4-V2,Flyback,	SA	1	For 220V model
		JC44-00091C	SMPS-V1; ML-5010ND,PSPN-Type4-V1,Flyback,	SA	1	For 110V model

## Exploded Views and Parts List

No.	Lvl.	Material Code	Description & Specification	SNA	Qty.	Remark
12	3	JC44-00204A	FDB-PETREL_V2; ML-5010ND,PETREL FDB-V2,AC	SA	1	For 220V model
		JC44-00203A	FDB-PETREL V1; ML-5010ND,PETREL FDB-V1,AC			For 110V model
13	3	JC93-00923A	DRIVE-MAIN; M4580,SSDP	SA	1	
14	3	JC92-02374A	PBA-JOINT; ML-4510ND,PBA-JOINT,FR-1,1L,14	SA	1	
15	3	JC95-01410A	COVER-SMPS; ML-5015ND,SEC	SNA	1	
16	3	JC66-02965A	ROLLER IDLE-FEED_DRIVE; ML-5015ND,EPDM,SU	SA	1	
17	3	JC61-06333A	HOLDER-COVER FRONT L; M4580,PC,BLACK,NH-1	SA	1	
18	3	JC61-06334A	HOLDER-COVER FRONT R; M4580,PC,BLACK,NH-1	SA	1	
19	3	JC93-00960A	FRAME-TERMINAL; M4580,SEE	SA	1	
20	3	JC66-02877A	GEAR-FEED_DRIVE; ML-5015ND,POM,1.0,24,NAT	SA	1	
21	3	JC61-06335A	HOLDER-FAN; M4580,ABS,BLACK,HF-0660I	SNA	1	
22	3	JC63-04686A	COVER-HARNESS FAX; M4580,ABS,BLACK,HF-066	SNA	1	

# 5.1. FUSER

## Exploded View



## Parts List

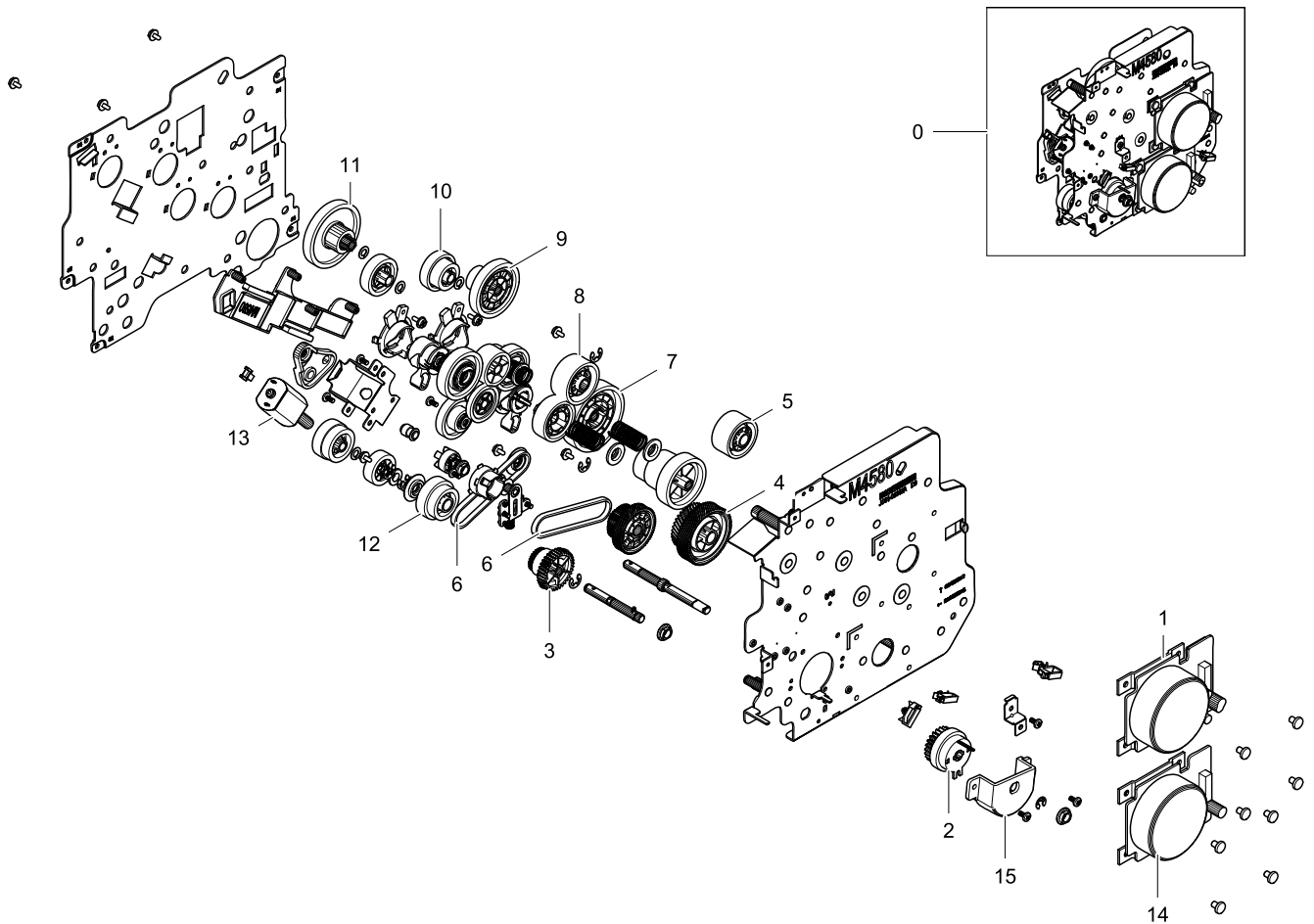
No.	Lvl.	Material Code	Description & Specification	SNA	Qty.	Remark
1	4	JC91-01043A	FUSER-EXIT UPPER; ML-5010ND,SEC,EXP	SNA	1	
1-1	5	JC61-00785A	HOLDER-M-IDLE ROLLER; ML-2150,PC,BLK	SA	3	
1-2	5	JC72-40981A	ROLLER; ML-165,POM	SA	3	
1-3	5	6107-001159	SPRING-TS; SUS304,PI0.45,D3.85,L20,W10,ID	SA	2	
1-4	5	JC72-20902A	ROLLER; ML-5000A,PTFE	SA	2	
2	4	JC91-01040A	FUSER-EXIT LOWER; ML-5010ND,SEC,EXP	SNA	1	

Exploded Views and Parts List

No.	Lvl.	Material Code	Description & Specification	SNA	Qty.	Remark
2-1	5	JC66-02973A	ROLLER-EXIT_F_UP; ML-6510ND,SILICON	SA	1	
2-2	5	JC66-02850A	ACTUATOR-EXIT; ML-5010ND,PA66,2T,20.1,125	SA	1	
2-3	5	JC61-01625A	HOLDER-M_REAR_LEVER; SCX-5530FN,PC,t1.5,1	SA	2	
2-4	5	JC66-02757A	GEAR-EXIT-Z21; ML-6510ND,PA,1,21,Black,23	SNA	1	
3	4	JC91-01045A	FUSER-LEVER PRESSURE; ML-5010ND,SEC,EXP	SA	2	
4	4	JC66-02854A	GEAR-PR; ML-5010ND,PPS,1,33,37.32PI	SA	1	
5	4	JC66-02855B	ROLLER FUSER-PRESSURE; M4580,24.5,STKM,1.	SA	1	
6	4	JC67-00528A	BRUSH-EXIT; ML-5010,SUS FIBER,0.9T,L251.2	SA	1	
7	4	JC91-01175A	FUSER-BELT; M4580,SEC,WORLD,220V	SNA	1	For 220V model
		JC91-01174A	FUSER-BELT; M4580,SEC,WORLD,110V	SNA	1	For 110V model
7-1	5	JC66-02037B	BELT FUSER-DRUM; CLP-670ND,SUS,LSR,PFA,38	SNA	1	
7-2	6	4713-001574	LAMP-HALOGEN; 230V,1300W,266	SA	1	For 220V model
		4713-001573	LAMP-HALOGEN; 115V,1300W,266	SA	1	For 110V model
7-3	5	JC61-04168A	BUSH-BELT; ML-5010ND,PPS,27.4,BLK	SNA	1	
7-4	6	JC91-01030A	FUSER-BRACKET_INNER; ML-5015ND,SEC,EXP	SNA	1	
8	5	1404-001799	THERMISTOR-NTC ASSY; 7Kohm,3390K,0.3MWC	SNA	1	
9	5	4712-001085	THERMOSTAT; AC125/250V,195+-5100	SNA	1	
10	4	JC39-02125A	HARNESS-FUSER_FU; M4580,UL3398,250,WHT,AW	SNA	1	
11	4	JC91-01044A	FUSER-BIAS PRESSURE ROLLER; ML-5010ND,SEC	SA	1	
12	4	JC66-02852A	GEAR-CAM; ML-5010ND,NYLON,2.0,5PI,33PI	SNA	1	
13	4	JC66-02853A	GEAR-ACCEL; ML-5010ND,NYLON,2.0,22.2PI,27	SNA	1	
14	4	JC61-04176A	FRAME-COVER-SIDE-R; ML-5010ND,PET+GF30%,8	SNA	1	
15	4	JC61-04175A	FRAME-COVER-SIDE-L; ML-5010ND,PET+GF30%,8	SNA	1	
16	4	JC61-04173A	HOLDER-HARNESS_DUCT_L; ML-5010ND,PET+GF,2	SNA	1	
17	4	JC61-04172A	HOLDER-DRAWCONNECTOR; ML-5010ND,PET+GF,2T	SNA	1	
18	4	JC66-02849A	ACTUATOR-CAM; ML-5010ND,NYLON,1.8T,44.4pi	SA	1	

## 5.2. DRIVE-MAIN

### Exploded View



### Parts List

No.	Lvl.	Material Code	Description & Specification	SNA	Qty.
0	3	JC93-00923A	DRIVE-MAIN; M4580,SSDP	SA	1
1	4	JC31-00075C	MOTOR BLDC-38W; 1200~2400rpm,1700~1500gf,	SA	1
2	4	JC47-00033E	CLUTCH-ELECTRIC; ML-4510ND,POM,2.5kgf.cm	SA	1
3	4	JC66-02870A	GEAR-PICKUP PULLEY; ML-5015ND,POM,0.8,28,	SA	1
4	4	JC66-02874A	GEAR-FUSER RDCN A; ML-5015ND,POM,0.5, 0.8	SA	1
5	4	JC66-04153A	GEAR-DEVE IDLE; M4580,POM,0.4,67,BLACK,JI	SNA	1
6	4	6602-001581	BELT-TIMING GEAR; RUBBER,T1.36,L168MM,BLK	SA	2
7	4	JC66-04151A	GEAR-OPC DRIVE; M4580,POM,0.4,115,BLACK,J	SNA	1
8	4	JC66-04154A	GEAR-DEVE RDCN; M4580,POM,0.4,73,BLACK,JI	SNA	1
9	4	JC66-02861A	GEAR-AGI IDLE B; ML-5015ND,POM,0.8, 0.8,4	SA	1
10	4	JC66-04155A	GEAR-AGI IDLE A; M4580,POM,0.4/0.8,63/22,	SNA	1
11	4	JC66-02862A	GEAR-AGI IDLE C; ML-5015ND,POM,0.8, 0.8,5	SA	1
12	4	JC66-02872A	GEAR-FEED RDCN; ML-5015ND,POM,0.8,28,24.0	SA	1

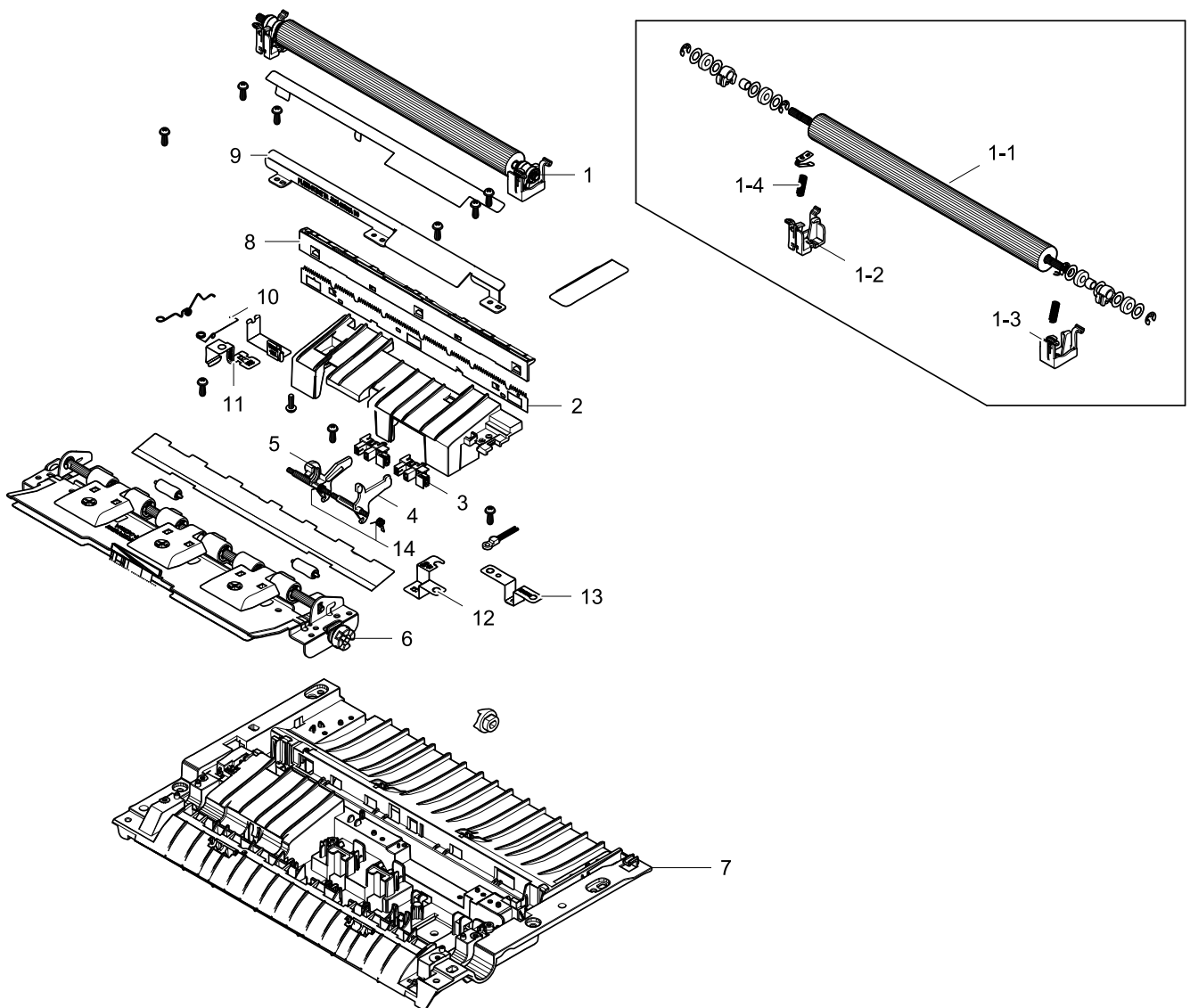
Exploded Views and Parts List

---

No.	Lvl.	Material Code	Description & Specification	SNA	Qty.
13	4	JC31-00078A	MOTOR DC; NF213G-1020515,DC24V,CLX-8380ND	SA	1
14	4	JC31-00144C	MOTOR BLDC; 1100~3000,24,2.2,32W	SA	1
15	4	JC61-04202A	BRACKET-REGI CLUTCH; ML-5015ND,ABS+GF20%,	SNA	1

## 5.3. FRAME-MIDDLE

### Exploded View



### Parts List

No.	Lvl.	Material Code	Description & Specification	SNA	Qty.
1	4	JC93-00393A	FRAME-ROLLER TRANSFER; ML-501ND,SEC	SA	1
1-1	5	JC93-00420A	ROLLER TR-FRAME-ROLLER TRANSFER UV; Petre	SA	1
1-2	5	JC61-03959B	HOLDER-GND_TR; ML-6510ND,ABS+PC,W21.7,L19	SNA	1
1-3	5	JC61-03984B	HOLDER-GEAR_TR; ML-6510ND,ABS+PC,W21.7,L1	SNA	1
1-4	5	6107-002868	SPRING-CS; SUS304,0.5,4,5	SA	2
2	4	JC70-10232D	CORE ROTOR; SCX-6320F,STS304,0.1t,SAW	SA	1
3	4	0604-001325	PHOTO-INTERRUPTER; TR,BK	SA	2
4	4	JC66-02913A	ACTUATOR-FEED; ML-5015ND,POM,BLACK,ACTUAT	SA	1

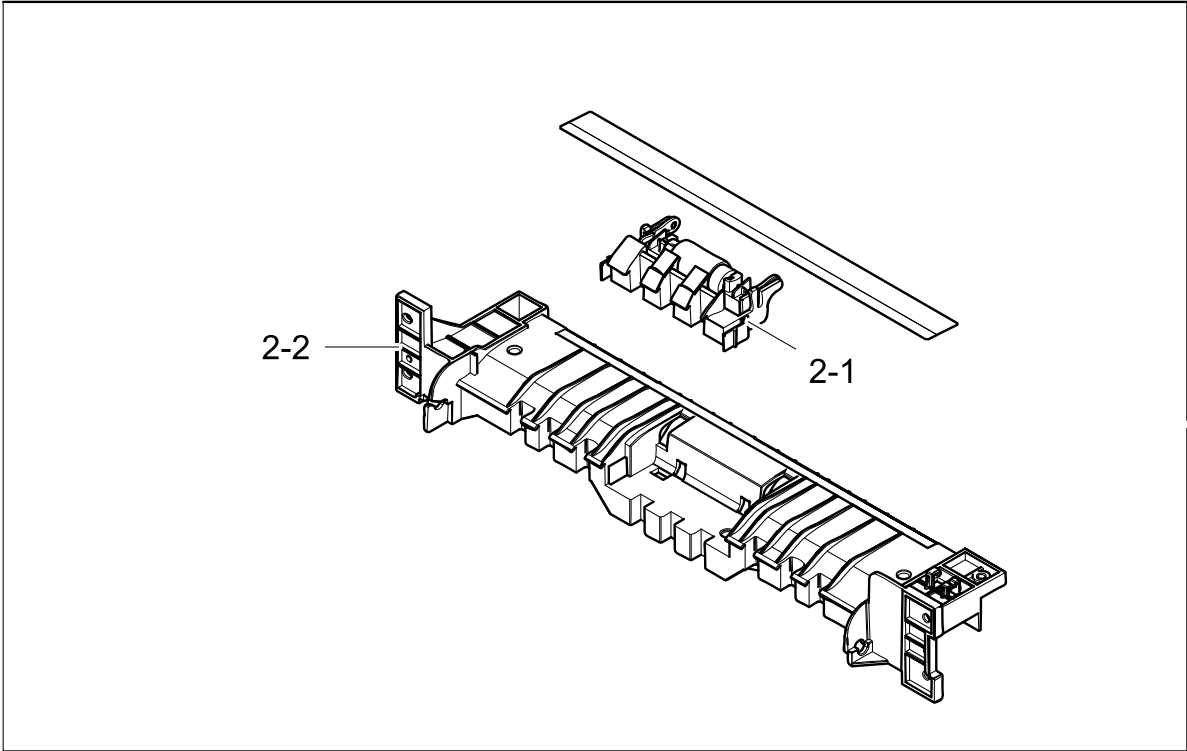
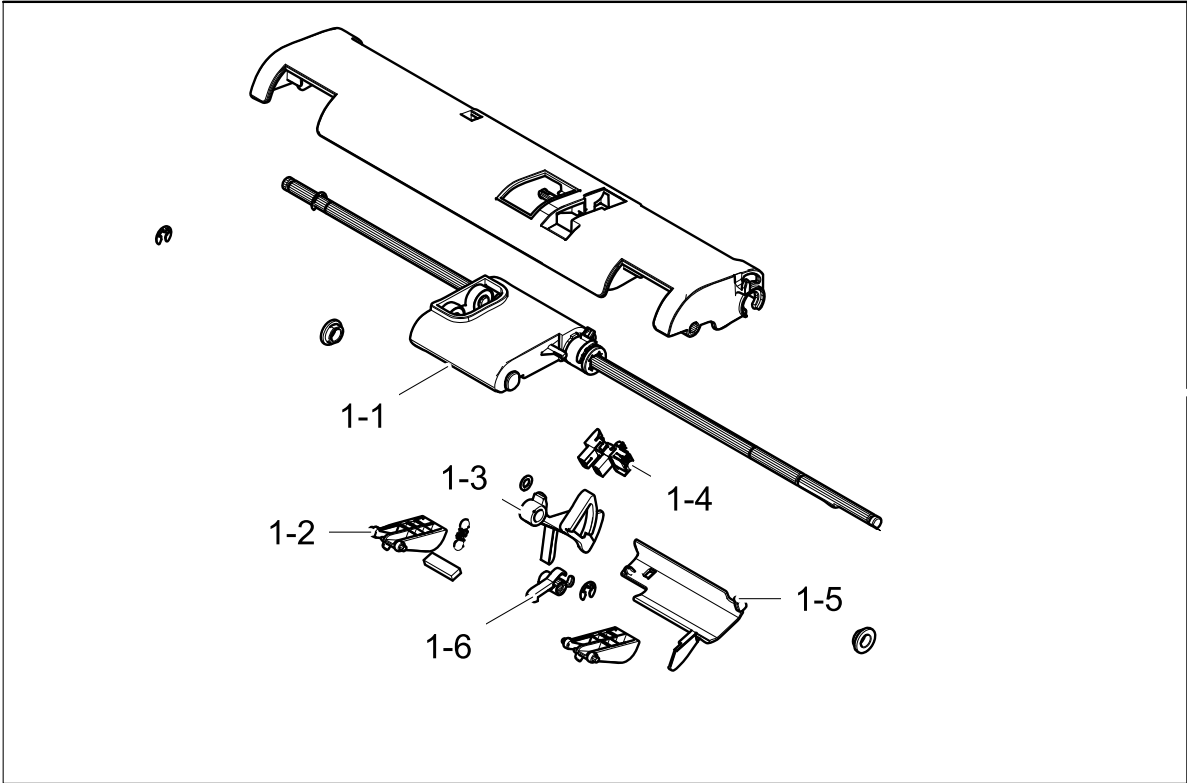
Exploded Views and Parts List

No.	Lvl.	Material Code	Description & Specification	SNA	Qty.
5	4	JC66-02914A	ACTUATOR-REGI; ML-5015ND,POM,BLACK,ACTUAT	SA	1
6	4	JC93-00385A	FRAME-REGI; ML-5015ND,SEC	SA	1
7	4	JC61-04281A	FRAME-MIDDLE; ML-5015ND,ABS+PC,BLACK	SNA	1
8	4	JC61-03906A	HOLDER-SAW; ML-6510ND,PC,W216.8,L16,Black	SNA	1
9	4	JC61-06332A	PLATE-GUIDE TR; M4580,EGI-SECC,1,GUIDE SU	SNA	1
10	4	6107-002869	SPRING-TS; SUS304,0.3,2.7,3.3	SA	1
11	4	JC63-02997A	GROUND-TR; ML-5015ND,C5210,0.2,GROUND	SNA	1
12	4	JC63-03002A	GROUND-REGI ROLLER; ML-5015ND,C5210,0.2,G	SNA	1
13	4	JC63-02996A	GROUND-PLATE TR; ML-5015ND,C5210,0.2,GROU	SNA	1
14	4	JC61-07359A	SPRING TS; M4580,STS304,0.35	SA	2



### 5.4. MP UPPER and MP LOWER

#### Exploded View

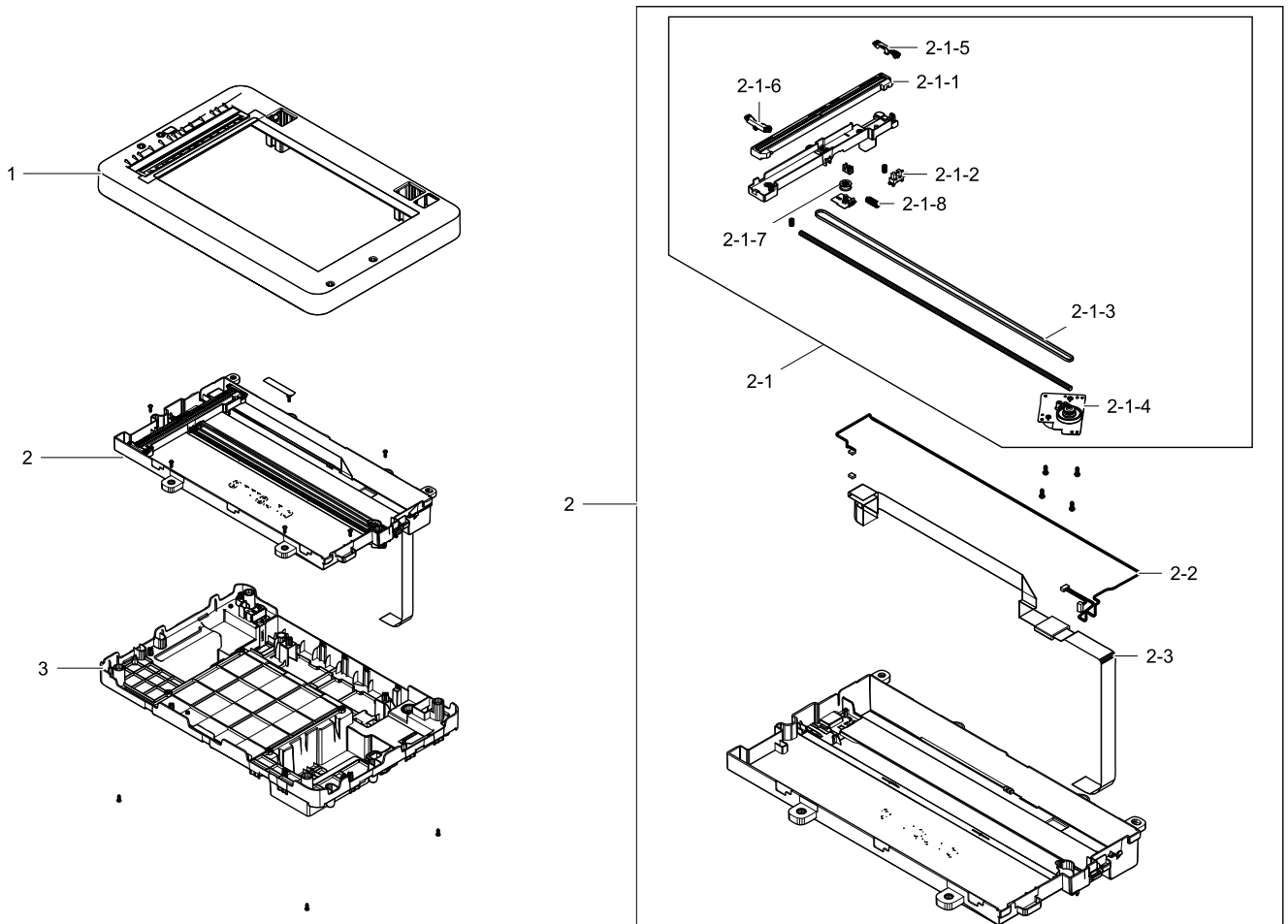


**Parts List**

No.	Lvl.	Material Code	Description & Specification	SNA	Qty.
1	3	JC90-01079A	MP-UPPER; ML-5015ND,SEC	SA	1
1-1	4	JC90-01080A	MP-PICK UP; ML-5015ND,SEC	SA	1
1-2	4	JC61-00788A	GUIDE-M_DOC SENSOR; SCX-6320F,HIPS,PAPER	SNA	2
1-3	4	JC61-04231A	STOPPER-PAPER MP; ML-5015ND,PC	SNA	1
1-4	4	0604-001325	PHOTO-INTERRUPTER; TR,BK	SA	1
1-5	4	JC61-04233A	FRAME-MP UPPER_SUB; ML-5015ND,ABS	SNA	1
1-6	4	JC66-02908A	LATCH-STOPPER; ML-5015ND,POM	SNA	1
2	3	JC90-01081A	MP-LOWER; ML-5015ND,SEC	SA	1
2-1	4	JC90-01082A	MP-RETARD; ML-5015ND,SEC	SA	1
2-2	4	JC61-04234A	FRAME-MP LOWER; ML-5015ND,PC	SNA	1

## 6. PLATEN

### Exploded View



### Parts List

No.	Lvl.	Material Code	Description & Specification	SNA	Qty.
1	3	JC97-04454A	PLATEN-UPPER; M4580,SEC	SNA	1
2	3	JC97-04457A	PLATEN-FRAME; M4580,SEC	SNA	1
2-1	4	JC97-04456A	PLATEN-LL; M4580,SEC	SNA	1
2-1-1	5	0609-001573	CONTACT IMAGE SENSOR; 218mm,10352DOT,0.66	SA	1
2-1-2	5	0604-001393	PHOTO-INTERRUPTER; TR,75mW,BGA,TR	SA	1
2-1-3	5	6602-003602	BELT-TIMING GEAR; 932,poly urethan,black	SNA	1
2-1-4	5	JC97-04170A	PLATEN-DRIVETRAIN; CLX-6260ND	SA	1
2-1-5	6	JC61-05641A	GUIDE-CIS REAR; CLX-6260ND,POM,L43.2,F20-	SNA	1
2-1-6	6	JC61-05634A	GUIDE-CIS FRONT; CLX-6260ND,POM,L43.2,F20	SNA	1
2-1-7	5	JC66-00713A	PULLEY-M_IDLE; SCX-4100,POM,NATURAL,5,	SNA	1
2-1-8	5	6107-001194	SPRING-CS; SWP-B,BLK,PI0.9,D6.95,L20,ID6.	SA	1
2-2	4	JC39-02106A	HARNESS-SCAN_HOME/MOTOR; M4580,UL10272,8,	SA	1

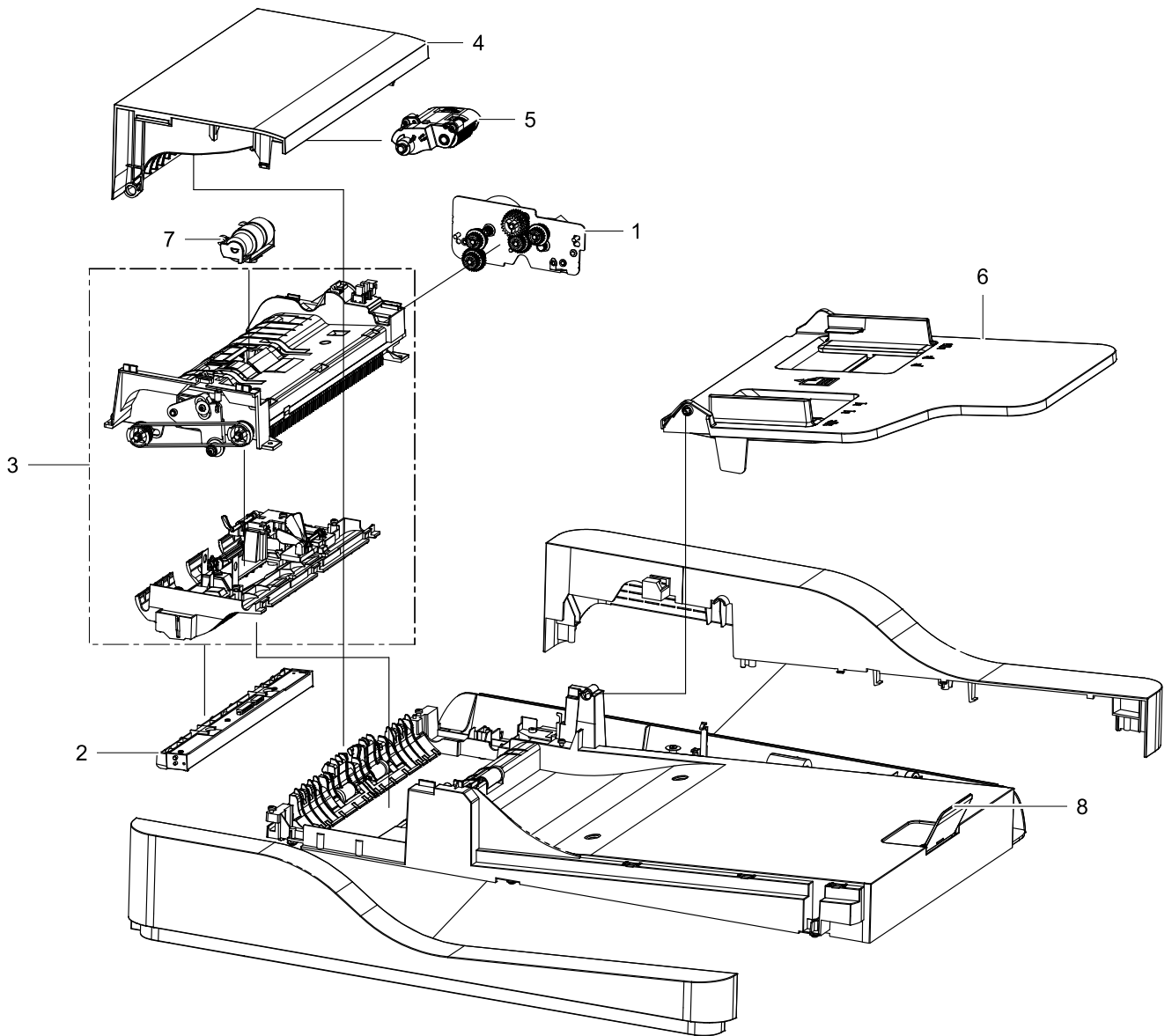
Exploded Views and Parts List

---

No.	Lvl.	Material Code	Description & Specification	SNA	Qty.
2-3	4	JC39-02121A	FLAT CABLE-CIS; M4580,24,910,AWM20624,1.0	SA	1
3	3	JC97-04455A	PLATEN-LOWER; M4580,SEC	SNA	1

## 7. ADF

### Exploded View

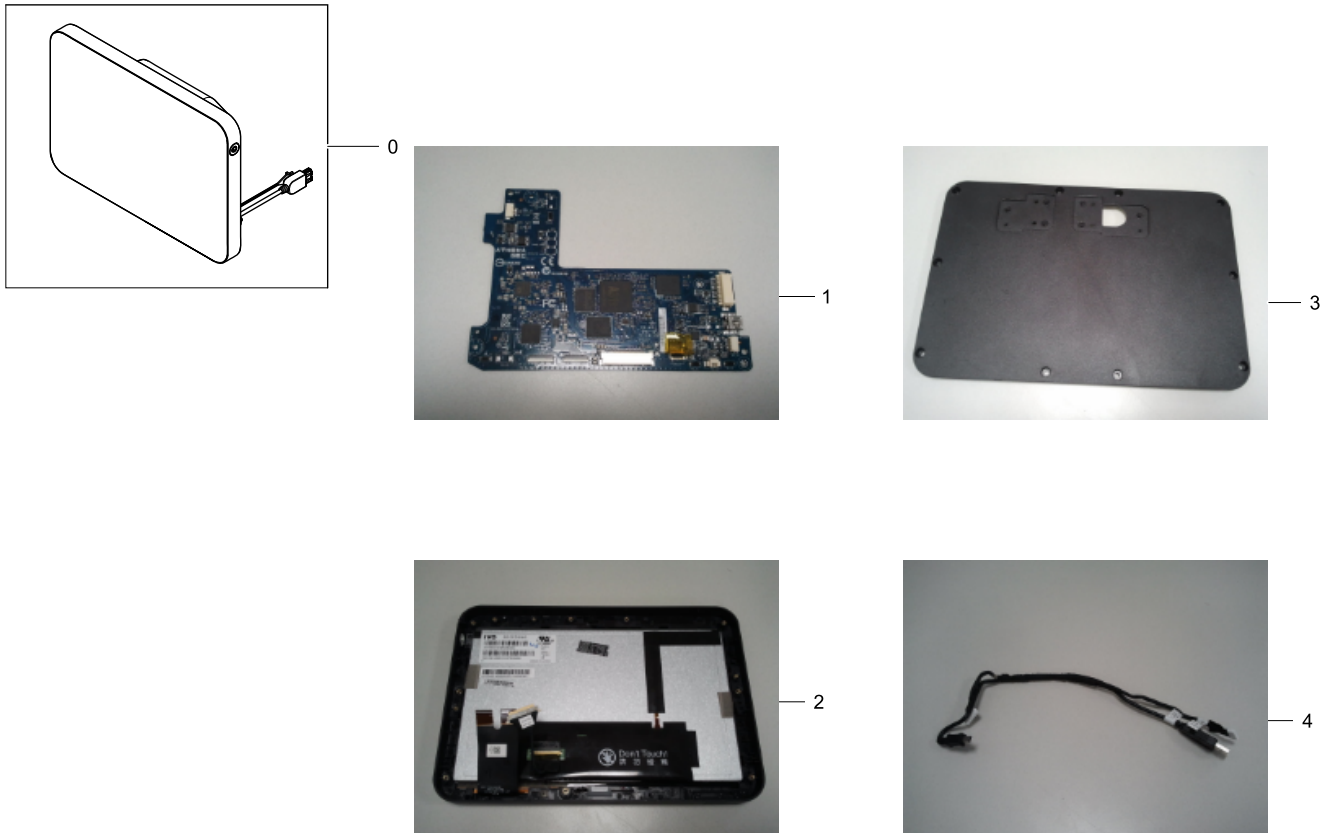


### Parts List

No.	Lvl.	Material Code	Description & Specification	SNA	Qty.
1	3	JC82-00374A	A/S ASSY-FEED MOTOR; M4580,SEC	SA	1
2	3	JC82-00375A	A/S ASSY-WHITE BAR CIS; M4580,SEC	SA	1
3	3	JC82-00376A	A/S ASSY-PAPER PATH; M4580,SEC	SA	1
4	3	JC82-00377A	A/S ASSY-TOP COVER; M4580,SEC	SA	1
5	3	JC82-00378A	A/S ASSY-PICK UP HOUSING; M4580,SEC	SA	1
6	3	JC82-00379A	A/S ASSY-INPUT TRAY; M4580,SEC	SA	1
7	3	JC82-00380A	A/S ASSY-SEPARATE ROLLER; M4580,SEC	SA	1
8	3	JC82-00381A	A/S ASSY-EXIT STACKER; M4580,SEC	SA	1

# 8. OPE

## Exploded View



## Parts List

No.	Lvl.	Material Code	Description & Specification	SNA	Qty.
0	2	JC97-04499B	OPE; M4580,SEC	SA	1
1	3	JC82-00361A	A/S ASSY-PBA MAIN OPE; M5370,OPE,AS	SA	1
2	3	JC82-00362A	A/S MATERIAL ASSY-OPE_LCD TSP; M5370,OPE,	SA	1
3	3	JC82-00373A	A/S MATERIAL ASSY-OPE_REAR COVER; M5370,O	SA	1
4	3	JC82-00383A	A/S ASSY-LCD CABLE; M4580,OPE,USB POWER+U	SA	1