


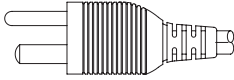
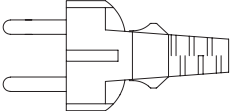
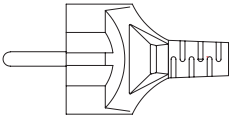
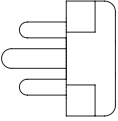
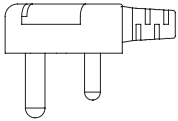
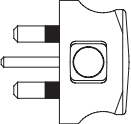
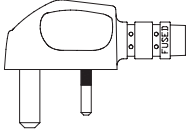
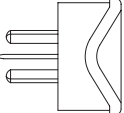
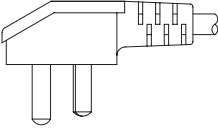
ExplodedView and Parts List

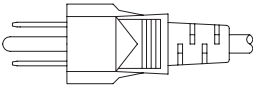
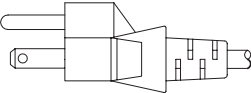
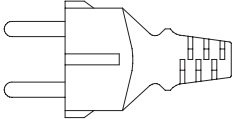
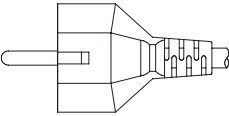
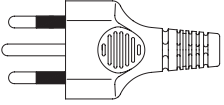
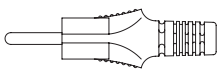
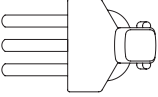
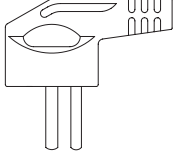
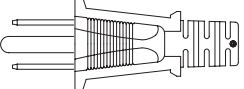
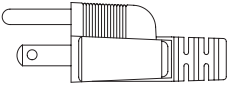
Contents

Power Cord	2
Harness Connection Table	3
Used Screw List	5
Maintenance parts and Option unit	7
Thumbnail	8
1. MAIN	9
2. COVER.....	11
3. TOP COVER	13
4. FRONT COVER	15
5. FRAME.....	17
6. FUSER_BLDC_MAIN	19
7. FRAME_BOTTOM_MAIN	21
8. FRAME LEFT ASS'Y	23
9. FRAME RIGHT ASS'Y	25
10. FEED DRIVE.....	27
11. FUSER	29
12. CASSETTE	32
13. SCF.....	34
14. CASSETTE-SCF	36

Power Cord

Power Cord differs by countries. Please check your country code.

Top View	Side View	Part Code
		Usable Country Code
		3903-000020
		XAZ
		3903-000042
		SEE / STS / XSA / XSG XSS / XEV / XEG
		3903-000050
		XFA / XIP
		3903-000067
		XEU / XSS
		3903-000082
		XIL

Top View	Side View	Part Code
		Usable Country Code
		3903-000085
		XAA / XAX
		3903-000133
		KOR
		3903-000146
		XBH
		3903-000182
		ETS
		3903-000227
		TED

Harness Connection Table

No.	Parts Code	Description	Connection	Pin		Spec.
1	JC39-00534A	CBF HARNESS-ADF R GND	SET FRAME	2P	1P 1P	SCX-5530FN,-,UL1007,1P-2P,100/75±10MM,GREEN,AWG18,35750-1110,35750-1110,-,-,-,-
2	JC39-00650A	FLAT CABLE	MAIN PBA <-> HVPS	30P	30P	CLP-660,30,0.05,410mm,AWM20624,-,1R,1.0,WHITE,FFC,1:1,FLAT CABLE,-,-,-
3	JC39-00651A	FLAT CABLE	MAIN PBA <-> HVPS	24P	24P	CLP-660,24,0.05,390mm,AWM20624,-,1R,1.0,WHITE,FFC,1:1,FLAT CABLE,-,-,-
4	JC39-00653A	HARNESS-ACR_SENSOR	PTB CRUM <-> ACR SENSOR	10P	5P 5P	CLP-660,-,UL10272,5PIN/5PIN,325mm/175mm,BLK/GRAY,26AWG,173977-5,1-173977-0,-,-,-,-,-,-
5	JC39-00658A	HARNESS-24V S/W	MAIN PBA <-> HVPS	2P		CLP-660,-,UL1061,2PIN,375mm,BLK/GRAY,18AWG,YH396-03V,YH396-03V,-,-,-,-,-,-
6	JC39-00659A	HARNESS-MP DRAWER_MP	CASSETTE <-> MP SOLENOID/ MP EMPTY SENSOR	8P	3P 2P 3P	CLP-660,-,UL1061,3P/2P/3P,150mm/275mm/50mm,BLK/GRAY,26AWG,53717-0819,173977-3/173977-2,-,-,-,-,-,-
7	JC39-00661A	HARNESS-FUSER CONTROL	MAIN PBA <-> FDB	6P	6P	CLP-660,-,UL10272,6PIN,125mm,BLK/GRAY,26AWG,173977-6,173977-6,-,-,-,-,-,-
8	JC39-00663A	HARNESS-PTB DRAW_FR	MAIN PBA <-> PTB	14P	14P	CLP-660,-,UL10272,14PIN,475mm,BLK/GRAY,26AWG,173977-7,3-353293-4,-,-,-,-,-,-
9	JC39-00664A	HARNESS-PTB DRAW_P	PTB CRUM	14P	14P	CLP-660,-,UL10272,14PIN,50mm,BLK/GRAY,26AWG,173977-7,3-353293-4,-,-,-,-,-,-
10	JC39-00666A	HARNESS-MP DRAW_FR	SET FRAME <-> HVPS	8P	6P 2P	CLP-660,-,UL1061,6PIN/2PIN,175mm/150mm,BLK/GRAY,26AWG,52968-0819,173977-7,-,-,-,-,-,-
11	JC39-00668A	HARNESS-FUSER DRAW_F	FUSER	2P	2P	CLP-660,-,UL3398,2PIN,65mm/105mm,WHT,16AWG,292182-8,-,-,-,-,-,-
12	JC39-00675A	HARNESS-FDB SMPS	SMPS <-> FDB	2P	2P	CLP-660,-,UL1617,2PIN,100mm,BLK/WHT,16AWG,MG610599-2(Blue),MG610599-1(RED),-,-,-,-,-,-
13	JC39-00772A	HARNESS-MOTOR	LSU	10P	5P 5P	CLP-660,HARNESS,UL10272,10/5/5,575,GREY,26,1-173977-0,173977-5/173977-5,-,-,-,-,-,-
14	JC39-00837A	HARNESS-PD	LSU	3P	3P	CLP-660,HARNESS,UL1061,3/3,75,B/W,28,51021-0330,51021-0330,-,-,-,-,-,-
15	JC39-00838A	HARNESS-SMPS	MAIN PBA <-> SMPS	28P	28P	CLX-6240FX,-,UL1061,28P/28P,150mm,BLK/GRAY,24AWG,DF11-28DS-2C,DF11-28DS-2C,-,-,-,-,-,-
16	JC39-00913A	HARNESS-TEMP_HUMIDITY	MAIN PBA <-> LSU	2P	2P	CLP-660,-,UL10272,2PIN,400mm,BLK/GRAY,26AWG,173977-2,2-173983-2,-,-,-,-,-,-
17	JC39-00938A	HARNESS-BLDC_CLU_FAN	MAIN PBA <-> FUSER BLDC/FAN/K CLUTCH	14P	10P 2P 2P	CLP-660,-,UL10272,10P/2P/2P,250mm/300mm/75mm,BLK/GRAY,26AWG,1-173977-5,1-173977-0/173977-2,-,-,-,-,-,-
18	JC39-00956A	HARNESS-FUSER_GND	SET FRAME	1P	1P	CLP-310,UL1007,-,1P,75mm,GRN,18,35750-1110,-,-,-,-,-,-
19	JC39-01021A	HARNESS-PANEL	HVPS <-> PANEL	6P	6P	CLP-770ND,-,-,7p/6p,225mm,BLK/GRAY,26AWG,173977-7,173977-6,-,-,-,-,UL10272,-,-
20	JC39-01022A	HARNESS-FEED STEP MOTOR	MAIN PBA <-> STEP MOTOR/REGI CLUTCH	6P	4P 2P	CLP-770ND,-,-,6p/4p2p,425mm/475mm,BLK/GRAY,26AWG,173977-6,173977-4/173977-2,-,-,-,-,UL10272,-,-
21	JC39-01023A	HARNESS-REGI SENSOR	HVPS <-> FEED/CST_EMPTY/REGI	3P 6P	3P 3P 3P	CLP-770ND,-,-,3p,3p,3p,,350mm,200mm,175mm,BLK/GRAY,26AWG,173977-3,173977-3,-,-,-,-,UL10272,-,-

Harness Connection Table

No.	Parts Code	Description	Connection	Pin		Spec.
22	JC39-01024A	HARNESS-SCF_MAIN	MAIN PBA <-> SCF	18P	18P	CLP-770ND,-,-,11p11p/18p,800mm,BLK/GRAY,26AWG,1-173977-1,1-353293-8,-,-,-,UL 10272,-,-
23	JC39-01025A	HARNESS-AC INLET	FDB <-> SET FRAME	2P	2P	CLP-770ND,-,-,2p,100mm,WHT/BLK/YEL-GRN,16AWG,EAC409-030,DF22R-2S-7.92C,-,-,-,UL 1617,-,UL1015
24	JC39-01026A	HARNESS-OPC BLDC	MAIN PBA <-> OPC BLDC	10P	10P	CLP-770ND,-,-,10p/10p,425mm,BLK/GRAY,26AWG,1-173977-0,1-173977-0,-,-,-,UL 10272,-,-
25	JC39-01027A	HARNESS-OUT BIN SENSOR	MAIN PBA <-> OUT BIN SENSOR	3P	3P	CLP-770ND,-,-,3p/3p,200mm,BLK/GRAY,26AWG,173977-3,173977-3,-,-,-,UL 10272,-,-
26	JC39-01028A	HARNESS-DEVE BLDC PICKUP SOL	MAIN PBA <-> DEVE BLDC/PICKUP SOLENOID	12P	10P 2P	CLP-770ND,-,-,12p/10p2p,325mm/650mm,BLK/GRAY,26AWG,1-173977-2,1-173977-0/173977-2,-,-,-,UL 10272,-,-
27	JC39-01029A	HARNESS-TEMP HUMIDITY	MAIN PBA <-> INNER TEMP SENSOR/HUMIDITY SENSOR	8P	4P 2P	CLP-770ND,-,-,7p/2p4p,500mm/400mm,BLK/GRAY,26AWG,173977-6,2-173983-2/173977-4,-,-,-,UL 10272,-,-
28	JC39-01030A	HARNESS-FUSER DRAWER_FRAME	MAIN PBA <-> FUSER	10P	3P 6P 1P	CLP-770ND,-,-,3p,6p,1p,600mm,225mm,100mm,WHT/BLK/GRAY,16AWG/26AWG,292185-8,173977-4/173977-6,-,-,-,UL 1617,-,UL10272
29	JC39-01031A	HARNESS-DEVE CRUM IF	MANI PBA <-> DEVE CRUM IF PBA	7P	7P	CLP-770ND,-,-,8p/7p,225mm,BLK/GRAY,26AWG,2-173983-7,2-353293-7,-,-,-,UL 10272,-,-
30	JC39-01046A	HARNESS-KC	MAIN PBA <-> LSU	32P	32P	CLP-750,HARNESS,UL 10272,16/16/34,300/375,GREY,26,1-353293-6,1-353293-7,-,-,-,UL 10272,-,-
31	JC39-01047A	HARNESS-MY	MAIN PBA <-> LSU	32P	32P	CLP-750,HARNESS,UL 10272,16/16/32,375/300,GREY,26,1-353293-6,-,-,-,UL 10272,-,-
32	JC39-01048A	HARNESS-PD	LSU	3P	3P	CLP-750,HARNESS,UL 1061,3/3,275,GREY,28,51021-0330,-,-,-,UL 1061,-,-
33	JC39-01049A	HARNESS-FUSER GND	FUSER <-> SET FRAME	4P	2P	CLP-770ND,-,-,4p/2p,50mm,WHT,26AWG,YBH200-02,179228-4,-,-,-,UL3398,-,-
34	JC39-01204A	HARNESS-ERASER_PTL	MAIN PBA <-> PTL ASS'Y	8P	2P 2P 2P 2P	CLP-770ND,-,-,8p,600mm,BLK/GRAY,26AWG,173977-8,-,-,-,UL 10272,-,-
35	JC39-01208A	HARNESS-AC CONTROL	MAIN PBA <-> AC HVPS	13P	13P	CLP-770ND,13p/13p,275mm,Gray/BLK,26AWG,1-353293-3,1-353293-3,UL 10272
36	JC39-01209A	HARNESS-AC CHR_MC	MAIN HVPS <-> AC HVPS	10P	10P	CLP-770ND,10p,450mm,WHITE/BLK,22AWG,YH396-10V,UL3239
37	JC39-01210A	HARNESS-AC CHR_K	MAIN HVPS <-> AC HVPS	5P	5P	CLP-770ND,5p,450mm,WHITE/BLK,22AWG,YH396-5V,UL3239
38	JC39-01211A	HARNESS-AC FAN	FAN <-> AC HVPS	3P	3P	CLP-770ND,3p,650mm,GRY/BLK,26AWG,173977-3,UL 10272

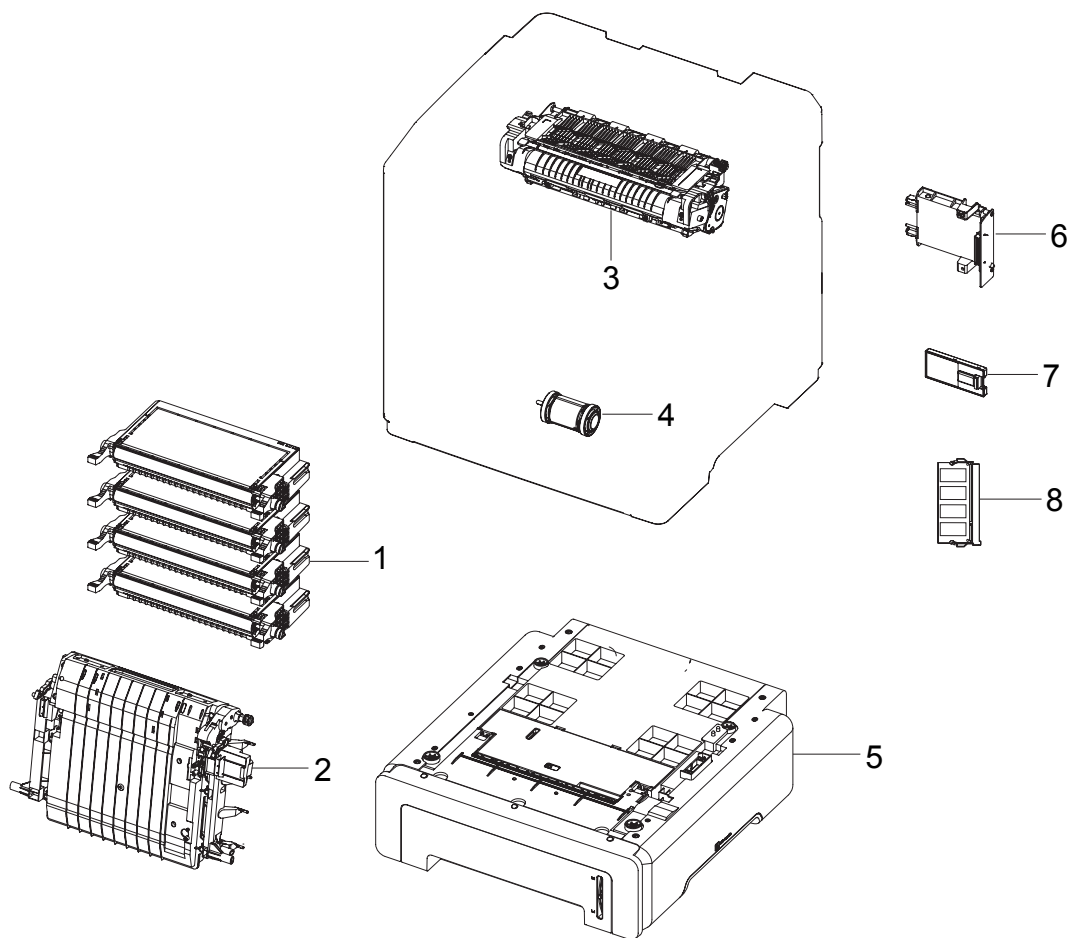
Used Screw List

Parts Code	Location	Specification	Qty
6003-000282	ELA UNIT-LSU	SCREW-TAPTITE;BH,+,-,B,M3,L8,ZPC(BLK),SWRCH18A,-	22
6003-000282	ELA UNIT-LD (LSU sub unit)	SCREW-TAPTITE;BH,+,-,B,M3,L8,ZPC(BLK),SWRCH18A,-	2
6003-000282	MEA UNIT-FRAME (LSU sub unit)	SCREW-TAPTITE;BH,+,-,B,M3,L8,ZPC(BLK),SWRCH18A,-	4
6002-000440	ELA UNIT-CASSETTE	SCREW-TAPPING;PWH,+,-,2,M3,L8,ZPC(BLK),SWRCH18A,-	2
6003-000196		SCREW-TAPTITE;PWH,+,-,B,M3,L10,NI PLT,SWRCH18A	14
6003-000196	MEA-GUIDE PAPER DUP	SCREW-TAPTITE;PWH,+,-,B,M3,L10,NI PLT,SWRCH18A	2
6003-000196	MEA-COVER_CASSETTE	SCREW-TAPTITE;PWH,+,-,B,M3,L10,NI PLT,SWRCH18A	2
6002-000440	MEA-EXTENTION	SCREW-TAPPING;PWH,+,-,2,M3,L8,ZPC(BLK),SWRCH18A,-	2
6003-000196	ELA UNIT-PTB DUPLEX	SCREW-TAPTITE;PWH,+,-,B,M3,L10,NI PLT,SWRCH18A	13
6003-000282		SCREW-TAPTITE;BH,+,-,B,M3,L8,ZPC(BLK),SWRCH18A,-	18
6003-000196	ELA UNIT-MAIN_LINE	SCREW-TAPTITE;PWH,+,-,B,M3,L10,NI PLT,SWRCH18A	18
6003-000269		SCREW-TAPTITE;BH,+,-,S,M3,L6,ZPC(WHT),SWRCH18A,-	44
6003-000269	ELA UNIT-BRACKET_MAIN	SCREW-TAPTITE;BH,+,-,S,M3,L6,ZPC(WHT),SWRCH18A,-	6
6003-000301		SCREW-TAPTITE;BH,+,-,S,M4,L6,ZPC(WHT),SWRCH18A,-	1
6003-000196	ELA UNIT-MAIN_FRAME	SCREW-TAPTITE;PWH,+,-,B,M3,L10,NI PLT,SWRCH18A	10
6003-000269		SCREW-TAPTITE;BH,+,-,S,M3,L6,ZPC(WHT),SWRCH18A,-	51
6006-001193		SCREW-MACHINE;PH,+,-,WSP,M3,10,ZPC(WHT),SWRCH18A,-,WD8,TEMPERED	2
6003-000269	ELA UNIT-OPE_LEFT	SCREW-TAPTITE;BH,+,-,S,M3,L6,ZPC(WHT),SWRCH18A,-	1
6003-000196	ELA UNIT-DUCT_FUSER	SCREW-TAPTITE;PWH,+,-,B,M3,L10,NI PLT,SWRCH18A	2
6003-000269	ELA UNIT-FRAME_TOP	SCREW-TAPTITE;BH,+,-,S,M3,L6,ZPC(WHT),SWRCH18A,-	5
6009-001396		SCREW-SPECIAL;PH,+,-,M3,L10.3,ZPC(BLK),SWRCH18A,B TITE,-	2
6003-000196	ELA UNIT-FRAME_BOTTOM	SCREW-TAPTITE;PWH,+,-,B,M3,L10,NI PLT,SWRCH18A	2
6003-000269		SCREW-TAPTITE;BH,+,-,S,M3,L6,ZPC(WHT),SWRCH18A,-	4
6003-000196	ELA UNIT-PICK UP	SCREW-TAPTITE;PWH,+,-,B,M3,L10,NI PLT,SWRCH18A	2
6003-000196	ELA UNIT-FRAME_LEFT	SCREW-TAPTITE;PWH,+,-,B,M3,L10,NI PLT,SWRCH18A	13
6003-000196	ELA UNIT-SUPPORT_CST_L	SCREW-TAPTITE;PWH,+,-,B,M3,L10,NI PLT,SWRCH18A	3
6003-000266	ELA UNIT-CST SENSOR	SCREW-TAPTITE;PWH,+,-,S,M3,L6,ZPC(WHT),SWRCH18A,-	2
6003-000196	ELA UNIT-PTB_TERMINAL	SCREW-TAPTITE;PWH,+,-,B,M3,L10,NI PLT,SWRCH18A	1
6003-000269	ELA UNIT-FUSER BLDC	SCREW-TAPTITE;BH,+,-,S,M3,L6,ZPC(WHT),SWRCH18A,-	14

Used Screw List

Parts Code	Location	Specification	Qty
6003-000301	ELA UNIT-FRAME_RIGHT	SCREW-TAPTITE;BH,+,-,S,M4,L6,ZPC(WHT),SWRCH18A,-	2
6003-000196		SCREW-TAPTITE;PWH,+ ,B,M3,L10,NI PLT,SWRCH18A	12
6003-000269		SCREW-TAPTITE;BH,+,-,S,M3,L6,ZPC(WHT),SWRCH18A,-	22
6003-000301		SCREW-TAPTITE;BH,+,-,S,M4,L6,ZPC(WHT),SWRCH18A,-	4
6006-001193		SCREW-MACHINE;PH,+ ,WSP,M3,10,ZPC(WHT),SWRCH18A,-,WD8,TEMPERED	14
6009-001396		SCREW-SPECIAL;PH,+,-,M3,L10.3,ZPC(BLK),SWRCH18A,B TITE,-	2
6009-001492		SCREW-HEX;HWH,+ ,M3,L8,NI PLT,SWRCH18A,S,RF	4
6003-000196	ELA UNIT-SUPPORT_CSTR	SCREW-TAPTITE;PWH,+ ,B,M3,L10,NI PLT,SWRCH18A	5
6003-000196	MEA UNIT-COUPPLING OPC	SCREW-TAPTITE;PWH,+ ,B,M3,L10,NI PLT,SWRCH18A	1
6003-000261	ELA-UNIT_DRUM Y	SCREW-TAPTITE;BH,+,-,B,M3,L6,ZPC(WHT),SWRCH18A,-	2
6003-000282		SCREW-TAPTITE;BH,+,-,B,M3,L8,ZPC(BLK),SWRCH18A,-	7
6003-000261	ELA-UNIT-DRUM M	SCREW-TAPTITE;BH,+,-,B,M3,L6,ZPC(WHT),SWRCH18A,-	2
6003-000282		SCREW-TAPTITE;BH,+,-,B,M3,L8,ZPC(BLK),SWRCH18A,-	7
6003-000261	ELA-UNIT-DRUM C	SCREW-TAPTITE;BH,+,-,B,M3,L6,ZPC(WHT),SWRCH18A,-	2
6003-000282		SCREW-TAPTITE;BH,+,-,B,M3,L8,ZPC(BLK),SWRCH18A,-	7
6003-000261	ELA-UNIT-DRUM K	SCREW-TAPTITE;BH,+,-,B,M3,L6,ZPC(WHT),SWRCH18A,-	2
6003-000282		SCREW-TAPTITE;BH,+,-,B,M3,L8,ZPC(BLK),SWRCH18A,-	7
6003-000196	ELA UNIT-FUSER	SCREW-TAPTITE;PWH,+ ,B,M3,L10,NI PLT,SWRCH18A	24
6003-000267		SCREW-TAPTITE;PWH,+,-,S,M3,L8,ZPC(WHT),SWRCH18A,-	2
6003-000269		SCREW-TAPTITE;BH,+,-,S,M3,L6,ZPC(WHT),SWRCH18A,-	6
6003-000282		SCREW-TAPTITE;BH,+,-,B,M3,L8,ZPC(BLK),SWRCH18A,-	2
6003-000196	ELA-COVER TOP	SCREW-TAPTITE;PWH,+ ,B,M3,L10,NI PLT,SWRCH18A	2
6003-000196	ELA-OPE	SCREW-TAPTITE;PWH,+ ,B,M3,L10,NI PLT,SWRCH18A	4
6003-000196	MEA-COVER EXIT	SCREW-TAPTITE;PWH,+ ,B,M3,L10,NI PLT,SWRCH18A	2
6003-000282		SCREW-TAPTITE;BH,+,-,B,M3,L8,ZPC(BLK),SWRCH18A,-	1
6003-000269	MEA-BRACKET REAR	SCREW-TAPTITE;BH,+,-,S,M3,L6,ZPC(WHT),SWRCH18A,-	2
6003-000196	MEA-COVER FRONT	SCREW-TAPTITE;PWH,+ ,B,M3,L10,NI PLT,SWRCH18A	24
6003-000264	MEA-TRAY MP	SCREW-TAPTITE;PWH,+,-,B,M3,L6,ZPC(WHT),SWRCH18A,-	1

Maintenance parts and Option unit

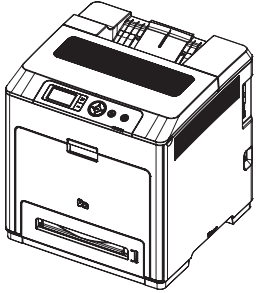
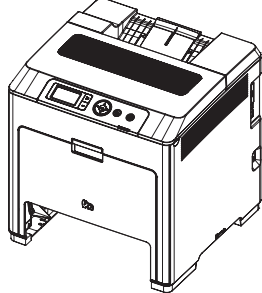
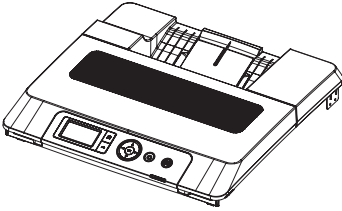
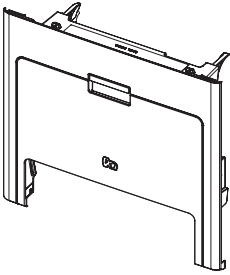
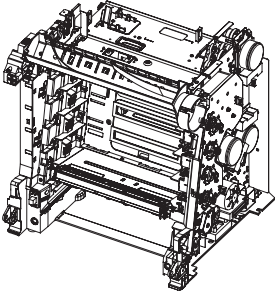
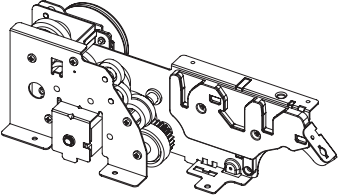
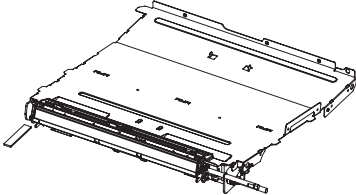
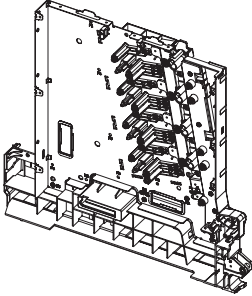
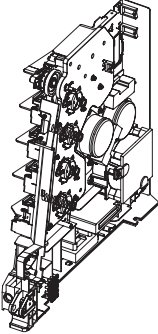
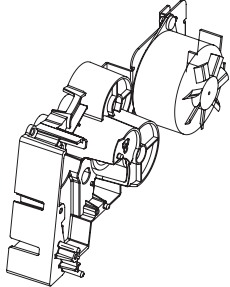
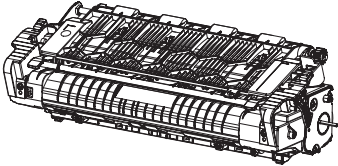
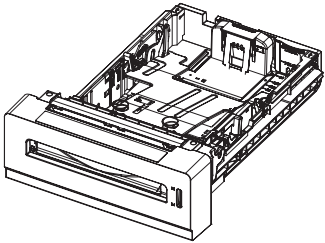
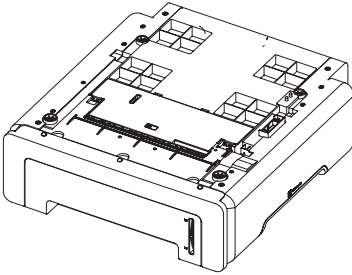
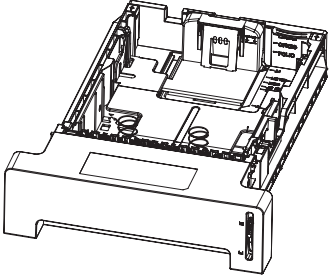


No	Item	Model Name or part code	Life / Spec.	Remark
1	Toner Cartridge	CLT-C609S (Cyan) CLT-M609S (Magenta) CLT-Y609S (Yellow) CLT-K609S (Black) Region A: CLT-C6092S (Cyan) CLT-M6092S (Magenta) CLT-Y6092S (Yellow) CLT-K6092S (Black)	Initial : 3.5K Sales : 7K	CRU
2	Paper transfer belt	CLT-T609	50K	CRU
3	Fuser Unit	JC96-05454A (110V) JC96-05455A (220V)	100K	FRU
4	Pick up roller	JC90-00932A	100K	FRU
5	Option Cassette	CLP-S770A	500 sheets	Option
6	HDD (Hard Disk)	ML-HDK420	80GB	Option
7	Wireless LAN	ML-NWA30L	-	Option
8	Memory Module	ML-MEM160 ML-MEM170	256MB 512MB	Option

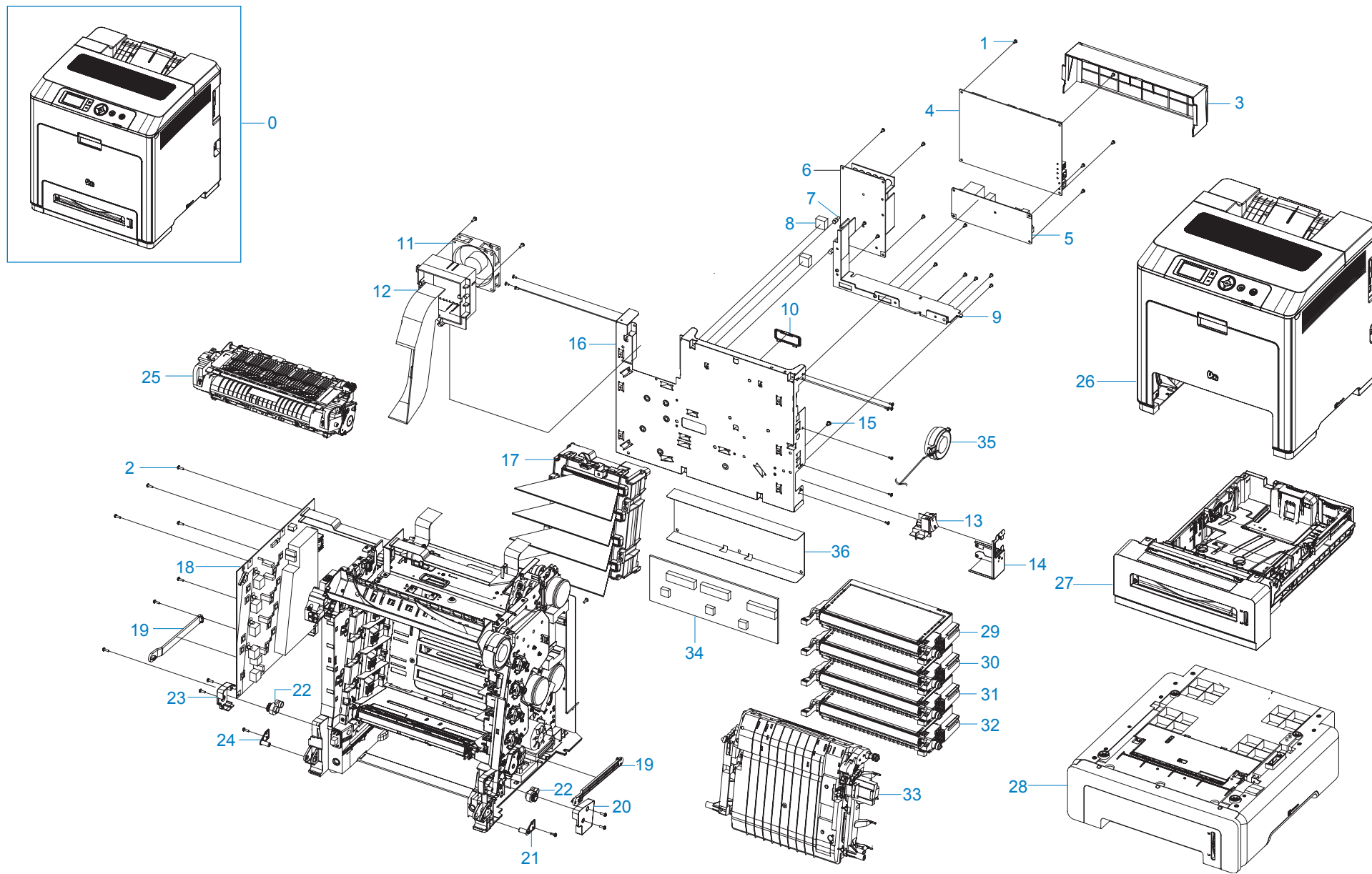
* Declared yield value in accordance with ISO/IEC 19798.

* Region A: Albania, Austria, Belgium, Bosnia, Bulgaria, Croatia, Cyprus, Czech, Republic, Denmark, Finland, France, Germany, Greece, Hungary, Italy, Macedonia, Netherlands, Norway, Poland, Portugal, Romania, Serbia, Slovakia, Slovenia, Spain, Sweden, Switzerland, UK.

Thumbnail

				
<p>1. Main</p>	<p>2. Cover</p>	<p>3. TOP COVER</p>	<p>4. FRONT COVER</p>	<p>5. FRAME</p>
				
<p>6. FUSER_BLDC_MAIN</p>	<p>7. FRAME_BOTTOM_MAIN</p>	<p>8. FRAME LEFT ASS'Y</p>	<p>9. FRAME RIGHT ASS'Y</p>	<p>10. FEED DRIVE</p>
				
<p>11. FUSER</p>	<p>12. CASSETTE</p>	<p>13. SCF</p>	<p>14. CASSETTE-SCF</p>	

1. MAIN



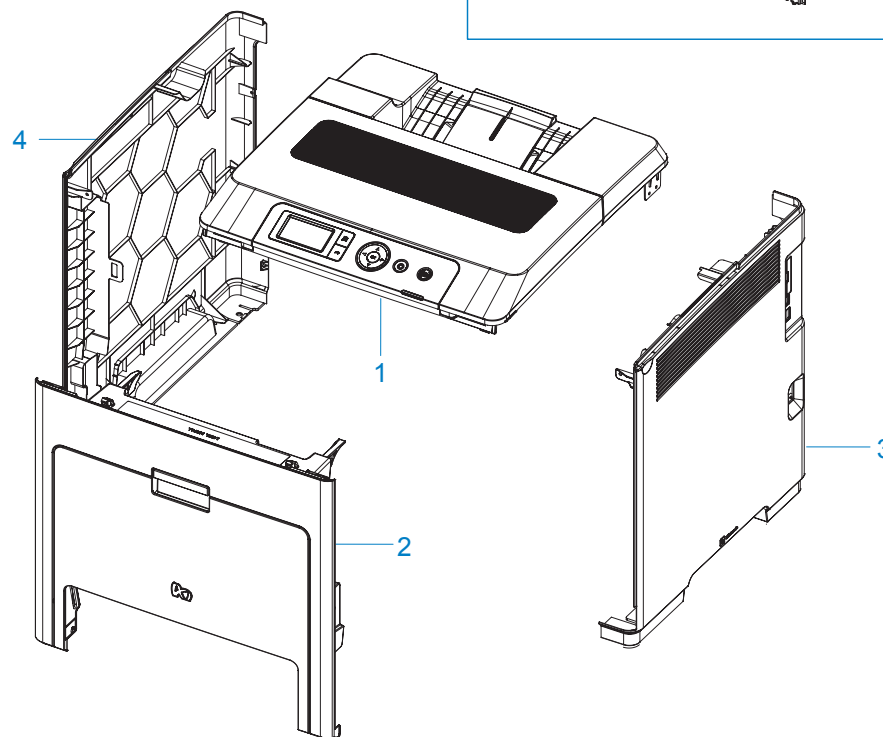
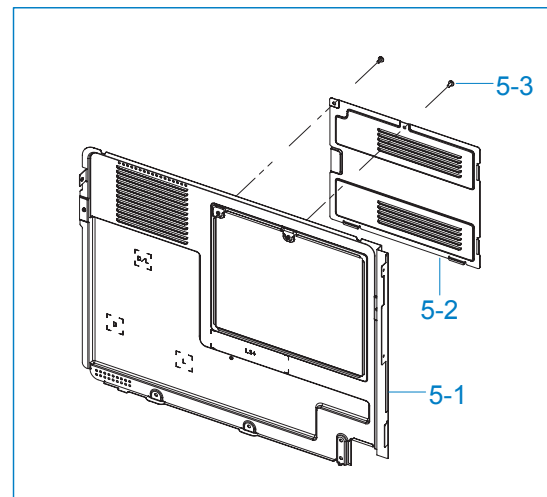
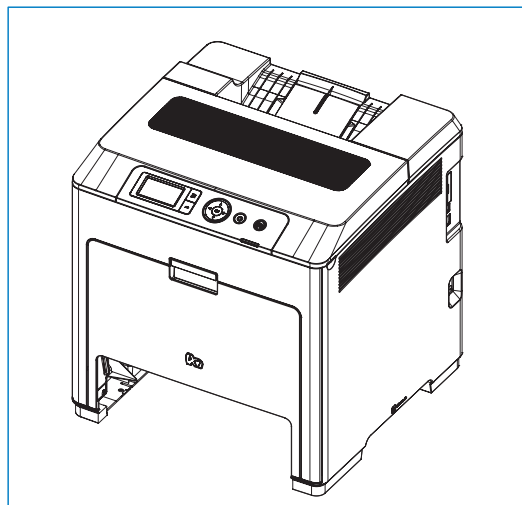
MAIN Parts List

SA : SERVICE AVAILABLE, SNA : SERVICE not AVAILABLE

Drawer#	SEC-Code	Description	Qty	Service	Remark
0	CLP-770ND	32/32ppm A4 Color Laser Printer			
1	6003-000196	SCREW-TAPTITE		SA	
2	6003-000269	SCREW-TAPTITE		SA	
3	JC97-03537A	MEA COVER-NOISE	1	SA	
4	JC96-05220A	ELA UNIT-MAIN_SODIMM	1	SNA	XAA/XSA/ XSS/XFA
4	JC96-05220B	ELA UNIT-MAIN	1	SNA	SEE/ELS
4	JC96-05220C	ELA UNIT-MAIN_SODIMM	1	SNA	XEV
4	JC96-05220D	BOARD	1	SNA	XAZ
4_1	JC92-02075A	PBA-MAIN	1	SA	XAA/XSA/ XSS/XFA
4_1	JC92-02075B	PBA-MAIN	1	SA	SEE/ELS
4_1	JC92-02075C	PBA-MAIN	1	SA	XEV
4_1	JC92-02075D	PBA-MAIN	1	SA	XAZ
4_2	JC92-01824B	PBA MAIN-DIMM	1	SNA	
5	JC44-00170A	FDB-MUTI_TRIAC V1	1	SA	110V
5	JC44-00171A	FDB-MULTI_TRIAC V2C	1	SA	220V
6	JC44-00093B	SMPS-V1	1	SA	110V
6	JC44-00100B	SMPS-V2C	1	SA	220V
7	JC61-02543A	SUPPORT-PCB	1	SNA	
8	JC73-00280A	RUBBER-SUPPORT	1	SA	
9	JC61-01854A	GUIDE-HARNESS	1	SNA	
10	JC61-01012A	GUIDE-_M_BUSH HARNESS S	1	SNA	
11	JC31-00088A	FAN-DC	1	SA	
12	JC61-01910A	FRAME-DUCT	1	SNA	
13	JC39-01025A	HARNESS-AC INLET	1	SNA	

Drawer#	SEC-Code	Description	Qty	Service	Remark
14	JC61-01867A	BRACKET-DUMMY_POWER	1	SNA	
15	6003-000301	SCREW-TAPTITE	1	SNA	
16	JC61-01866C	BRACKET-MAIN	1	SNA	
17	JC96-04500B	ELA UNIT-LSU	1	SA	
18	JC44-00169A	HVPS	1	SA	
19	JC66-01422A	LINK-HINGE	1	SNA	
20	JC61-01911B	FRAME-DAMPER_R	1	SNA	
21	JC61-01897A	BRACKET-HINGE_R	1	SNA	
22	JC66-01425A	DAMPER-HINGE	1	SNA	
23	JC61-01912B	FRAME-DAMPER_L	1	SNA	
24	JC61-01897A	BRACKET-HINGE_L	1	SNA	
25	JC96-05454A	ELA UNIT-FUSER	1	SA	110V
25	JC96-05455A	ELA UNIT-FUSER	1	SA	220V
26	JC97-03520A	MEA UNIT-COVER	1	SA	
27	JC96-05346A	ELA UNIT-CASSETTE	1	SA	
28	JC96-05347A	ELA-UNIT_SCF	1	SA	Option
29	JC96-05435A	CARTRIDGE-TONER K	1	SNA	CRU
30	JC96-05434A	CARTRIDGE-TONER C	1	SNA	CRU
31	JC96-05433A	CARTRIDGE-TONER M	1	SNA	CRU
32	JC96-05432A	CARTRIDGE-TONER Y	1	SNA	CRU
33	JC96-05387A	ELA UNIT-PTB DUPLEX	1	SNA	CRU
34	JC44-00177A	HVPS (AC board)	1	SA	
35	JC31-00072A	FAN	1	SA	
36	JC62-00618A	INSULATION-AC	1	SNA	

2. COVER



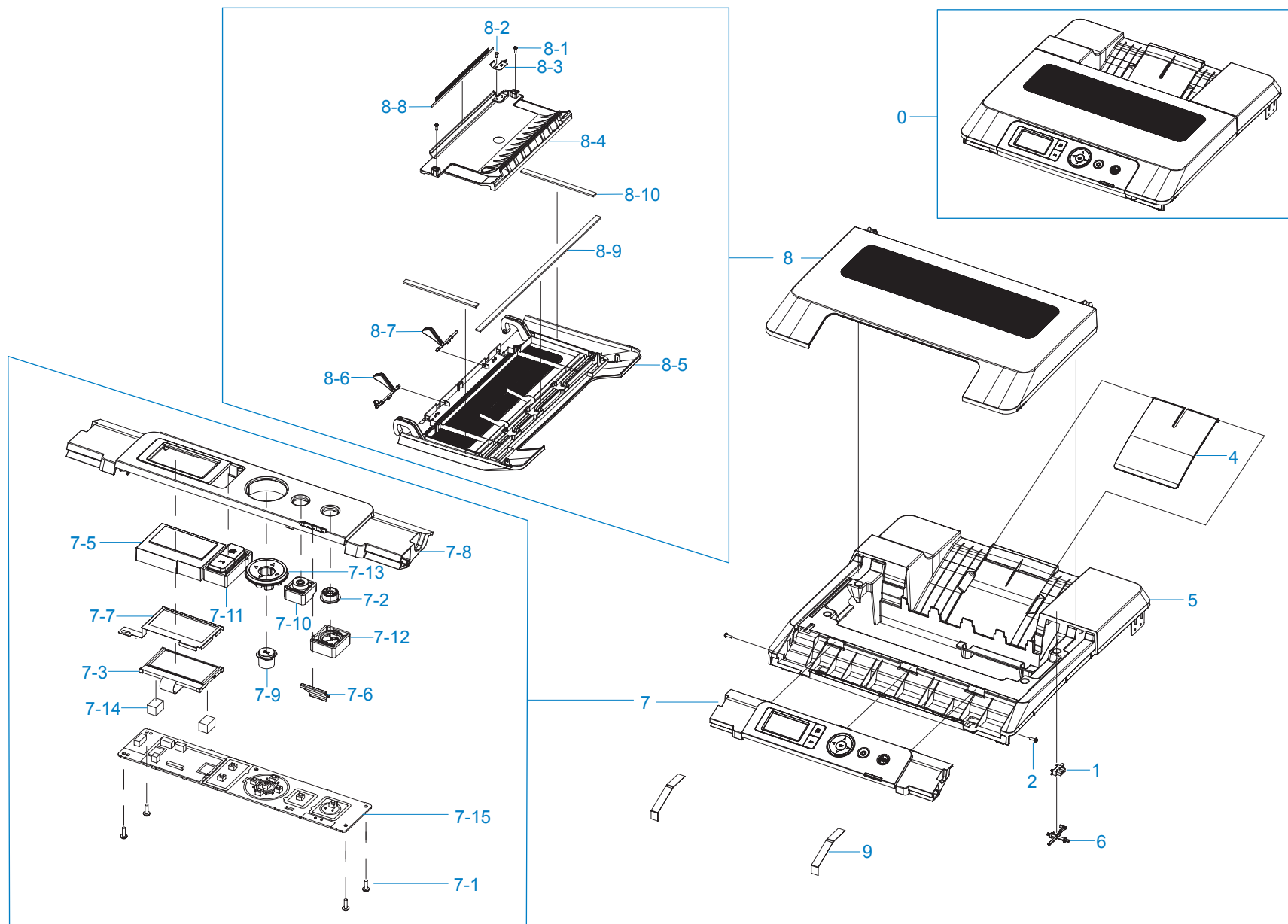
COVER Parts List

SA : SERVICE AVAILABLE, SNA : SERVICE not AVAILABLE

Drawer#	SEC_Code	Description	QT'y	Service	Remark
0	JC97-03520A	MEA UNIT-COVER	1	SA	
1	JC96-05439A	ELA-COVER TOP	1	SA	
2	JC97-03514A	MEA-COVER FRONT	1	SA	
3	JC97-03539A	MEA-COVER RIGHT	1	SA	
4	JC63-02087A	COVER-LEFT	1	SNA	

Drawer#	SEC_Code	Description	QT'y	Service	Remark
5	JC97-03052A	MEA-BRACKET REAR	1	SA	
5-1	JC61-02211A	BRACKET-REAR	1	SNA	
5-2	JC63-01314A	COVER-REAR HDD	1	SNA	
5-3	6003-000269	SCREW-TAPTITE	2	SA	

3. TOP COVER



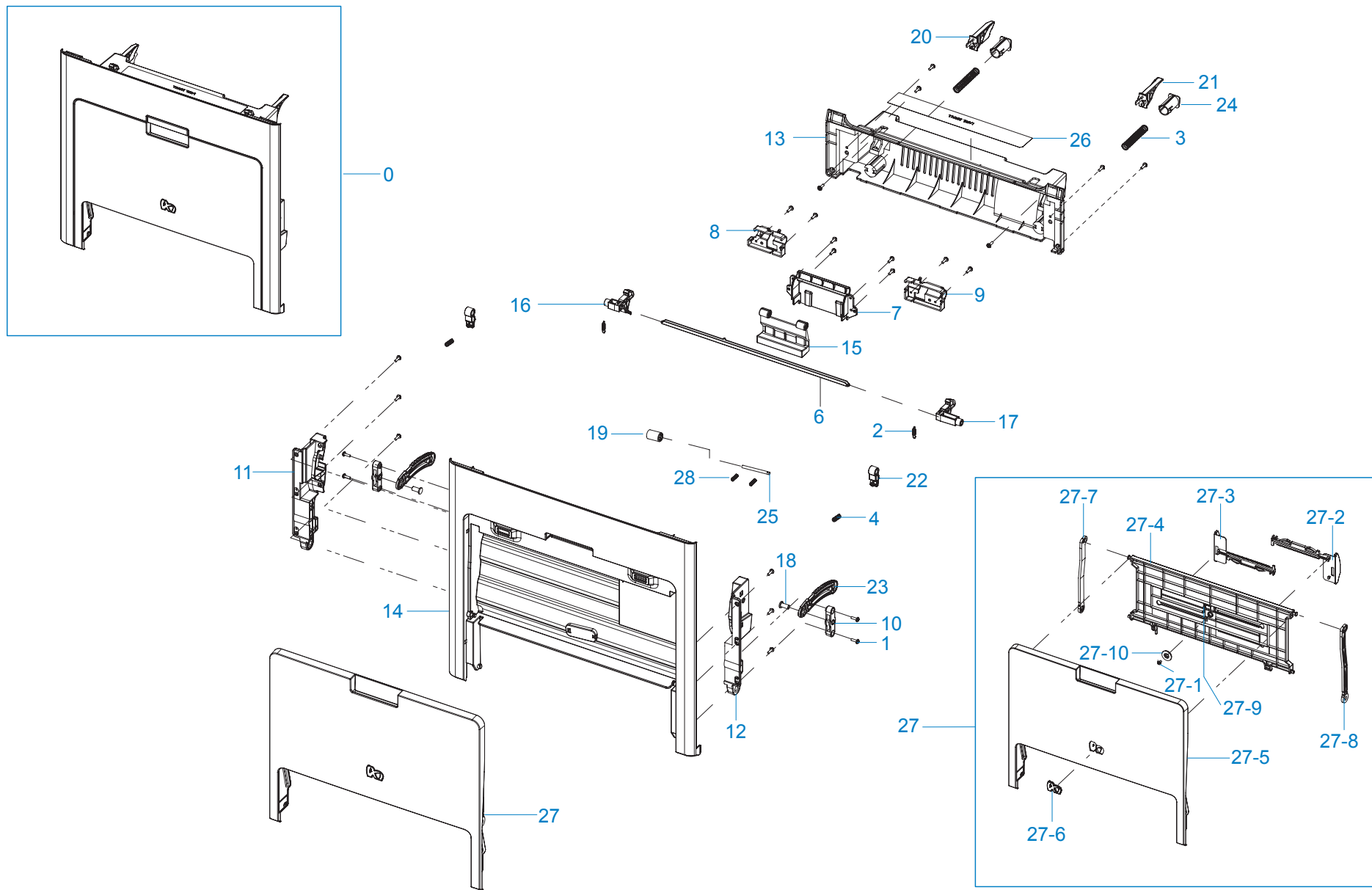
TOP COVER Parts List

SA : SERVICE AVAILABLE, SNA : SERVICE not AVAILABLE

Drawer#	SEC_Code	Description	QT'y	Service	Remark
0	JC96-05439A	ELA-COVER TOP		SA	
1	0604-001095	PHOTO-INTERRUPTER	1	SA	
2	6003-000196	SCREW-TAPTITE	2	SA	
4	JC61-01460E	GUIDE-STACKER COVER	1	SNA	
5	JC63-02091A	COVER-TOP	1	SNA	
6	JC66-02064A	ACTUATOR-OUTFULL	1	SNA	
7	JC96-05425A	ELA-OPE	1	SA	
7-1	6003-000196	SCREW-TAPTITE	4	SA	
7-2	JB64-00114B	KEY-POWER	1	SNA	
7-3	JC07-00012A	LCD	1	SA	
7-4	JC39-01021A	HARNES-PANEL	1	SNA	
7-5	JC61-02792A	HOLDER-LCD	1	SNA	
7-6	JC61-02793A	HOLDER-LED	1	SNA	
7-7	JC61-02794A	BRACKET-LCD	1	SNA	
7-8	JC63-02089A	COVER-OPE	1	SNA	
7-9	JC64-00389A	KEY-OK	1	SNA	
7-10	JC64-00393A	KEY-STOP	1	SNA	

Drawer#	SEC_Code	Description	QT'y	Service	Remark
7-11	JC64-00442A	KEY-MENU	1	SNA	
7-12	JC64-00443A	KEY-POWER_B	1	SNA	
7-13	JC64-00445A	KEY-CIRCLE	1	SNA	
7-14	JC72-01529A	SPONGE-LCD	1	SNA	
7-15	JC92-02078A	PBA-OPE	1	SA	
8	JC97-03513A	MEA-COVER EXIT	1	SA	
8-1	6003-000196	SCREW-TAPTITE	2	SA	
8-2	6003-000282	SCREW-TAPTITE	1	SNA	
8-3	JC63-01277A	GROUND-EXIT	1	SNA	
8-4	JC63-01299A	COVER-FUSER EXIT	1	SNA	
8-5	JC63-02085A	COVER-EXIT	1	SNA	
8-6	JC66-02063A	ACTUATOR-STACKER_SUB	1	SNA	
8-7	JC66-02065A	ACTUATOR-STACKER	1	SNA	
8-8	JC67-00295A	BRUSH-ANTISTATIC	1	SA	
8-9	JC72-01503A	SPONGE-COVER_EXIT	1	SNA	
8-10	JC72-01541A	SPONGE-NOISE A	2	SNA	

4. FRONT COVER



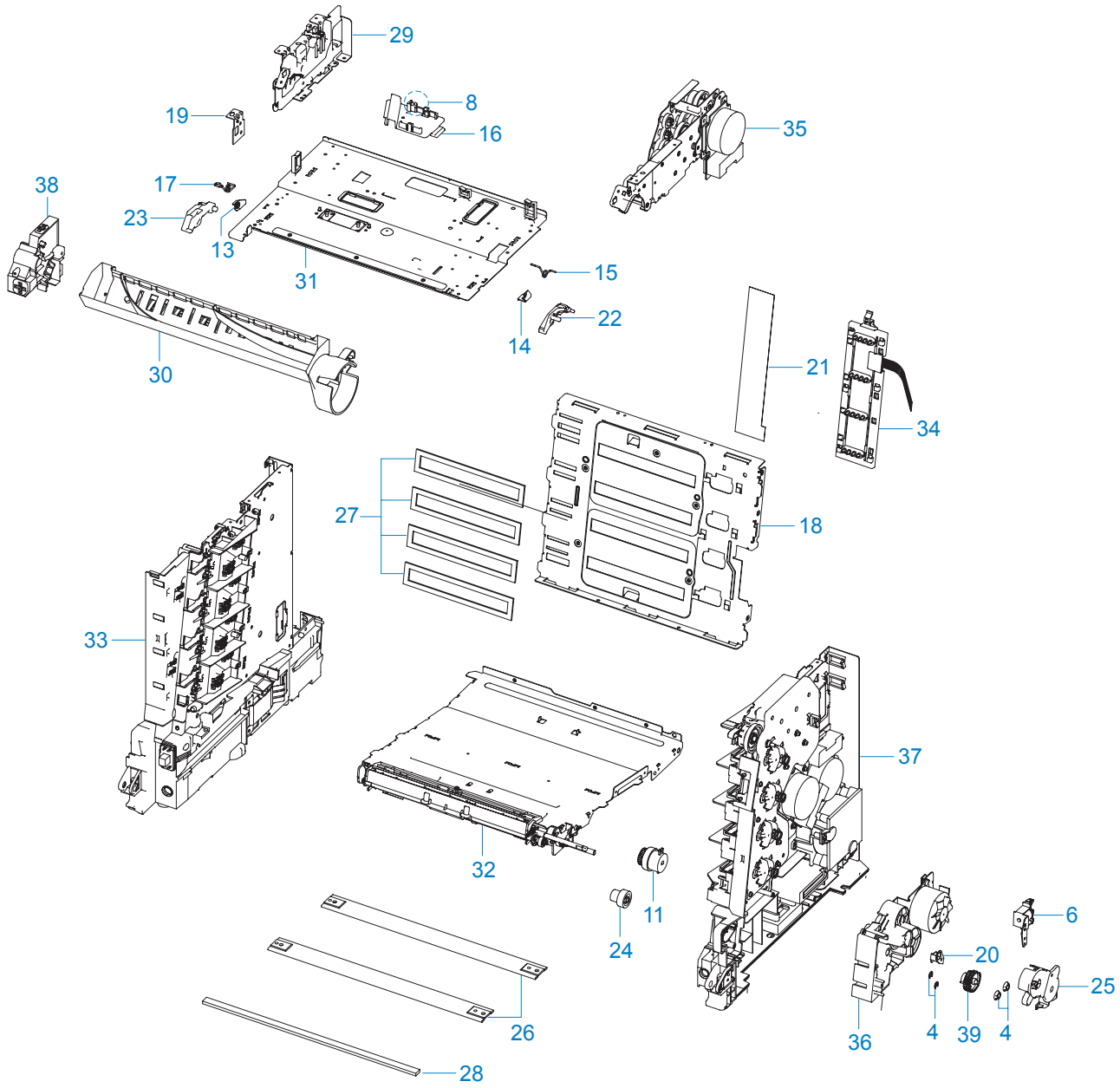
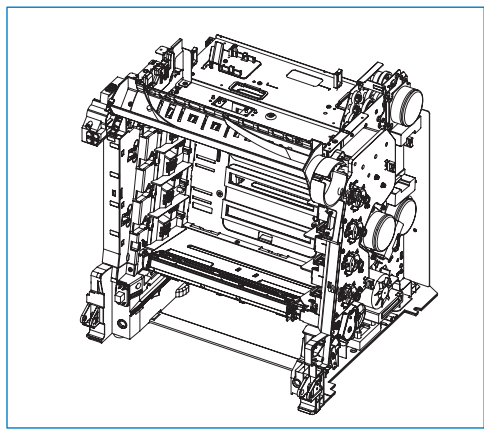
FRONT COVER Parts List

SA : SERVICE AVAILABLE, SNA : SERVICE not AVAILABLE

Drawer#	SEC_Code	Description	QT'y	Service	Remark
0	JC97-03514A	MEA-COVER FRONT	1	SA	
1	6003-000196	SCREW-TAPTITE	24	SA	
2	6107-001138	SPRING-ES	2	SA	
3	6107-001218	SPRING-CS	2	SA	
4	6107-001345	SPRING-CS	2	SA	
5	JC61-00038A	SPRING ETC-GUIDE DEVE	2	SA	
6	JC61-01050A	BRACKET-P-COVER LOCK	1	SNA	
7	JC61-01841A	HOLDER-KNOB HANDLE	1	SNA	
8	JC61-01842A	HOLDER-LOCKER FRONT L	1	SNA	
9	JC61-01843A	HOLDER-LOCKER FRONT R	1	SNA	
10	JC61-01846B	HOLDER-LINK FRONT	2	SNA	
11	JC61-01848B	SUPPORT-PTB L	1	SNA	
12	JC61-01849B	SUPPORT-PTB R	1	SNA	
13	JC63-01290B	COVER-FRONT PATH	1	SNA	
14	JC63-02086A	COVER-FRONT	1	SNA	
15	JC64-00299B	KNOB-HANDLE	1	SNA	
16	JC64-00305A	LOCKER-FRONT L	1	SA	
17	JC64-00306A	LOCKER-FRONT R	1	SA	
18	JC66-00835A	SHAFT-HINGE LINK	1	SNA	

Drawer#	SEC_Code	Description	QT'y	Service	Remark
19	JC66-01022A	ROLLER-M_IDLE SCF	1	SNA	
20	JC66-01352A	LEVER-COUPLING L	1	SNA	
21	JC66-01353A	LEVER-COUPLING R	1	SNA	
22	JC66-01354A	LEVER-PTB	1	SNA	
23	JC66-01358A	LINK-SUPPORT	2	SNA	
24	JC66-01421A	LEVER-PTB TOP	2	SNA	
25	JC66-01846A	SHAFT-DUP_ROLLER	1	SA	
26	JC68-01905A	LABEL-INSTALL	1	SNA	
27	JC97-03515A	MEA-TRAY MP	1	SNA	
27-1	6003-000264	SCREW-TAPTITE	1	SNA	
27-2	JC61-01042B	GUIDE-M_SIDE MP R	1	SNA	
27-3	JC61-01043B	GUIDE-M_SIDE MP L	1	SNA	
27-4	JC63-01293B	TRAY-ASF_INPUT	1	SNA	
27-5	JC63-02088A	COVER-MPTRAY	1	SNA	
27-6	JC64-00428A	BADGE-COLOR MIDDLE	1	SNA	
27-7	JC66-01349A	LINK-TRAY_MP_L	1	SNA	
27-8	JC66-01350A	LINK-TRAY_MP_R	1	SNA	
27-9	JC68-01528A	LABEL(R)-HEIGHT MP	1	SNA	
27-10	JG66-40003A	GEAR-PINION	1	SA	

5. FRAME



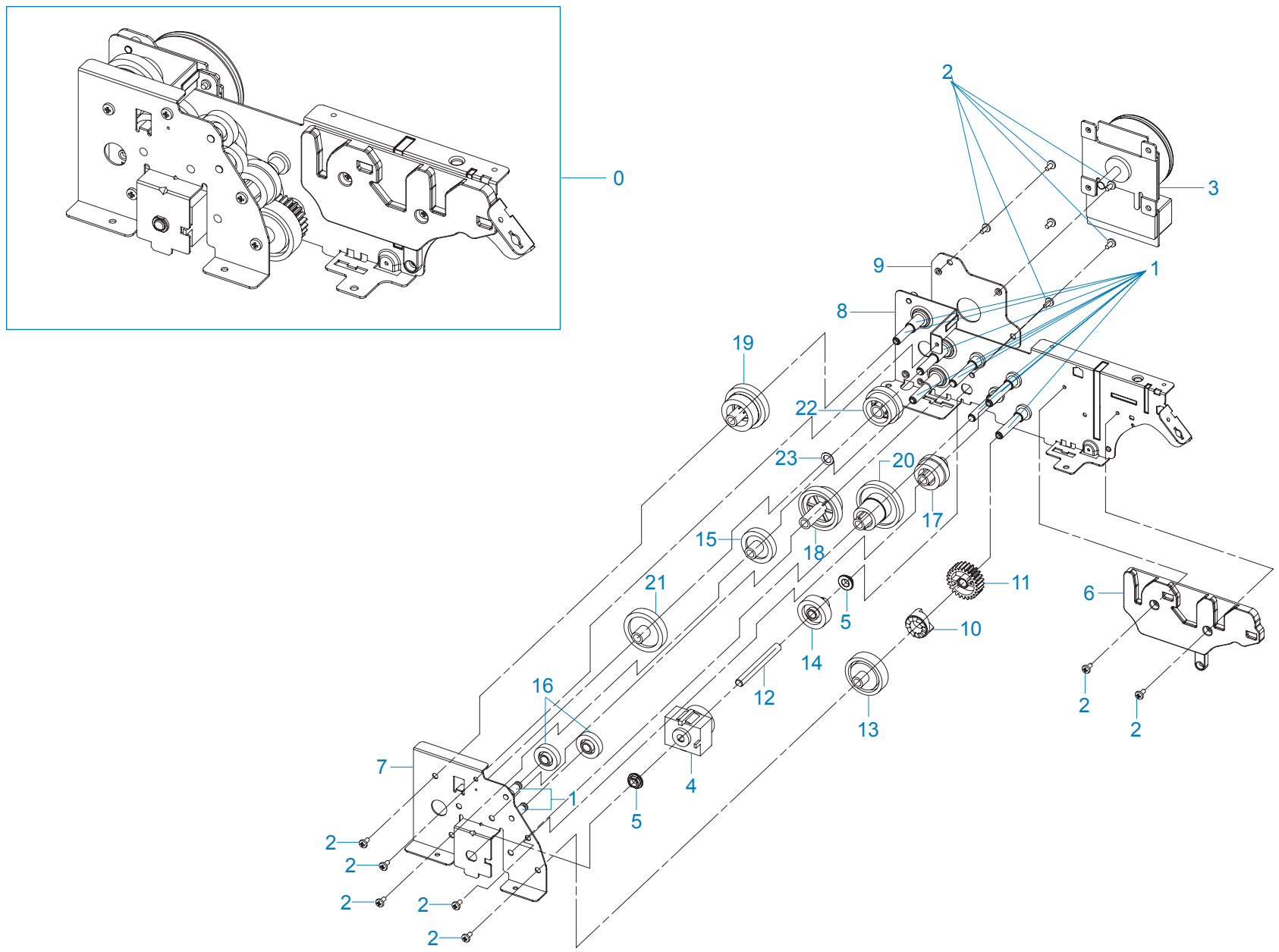
FRAME Parts List

SA : SERVICE AVAILABLE, SNA : SERVICE not AVAILABLE

Drawer#	SEC_Code	Description	QT'y	Service	Remark
0	JC96-05411A	ELA UNIT-MAIN_FRAME	2	SA	
1	6003-000196	SCREW-TAPTYPE	10	SA	
2	6003-000269	SCREW-TAPTYPE	51	SA	
3	6006-001193	SCREW-MACHINE	2	SA	
4	6044-000125	RING-E	2	SA	
5	JC32-00005A	SENSOR-HUMIDITY	1	SA	
6	JC33-00022A	SOLENOID-PICK_UP	1	SA	
7	JC39-00938A	HARNESS-BLDC_CLU_FAN	1	SNA	
8	JC39-01022A	HARNESS-FEED STEP MOTOR	1	SNA	
9	JC39-01026A	HARNESS-OPC BLDC	1	SNA	
10	JC39-01028A	HARNESS-DEVE BLDC PICKUP SOL	1	SNA	
11	JC47-00023A	CLUTCH-FEED	1	SA	
12	JC61-00699A	BUSH-D6/L4	2	SA	
13	JC61-01855A	BRACKET-LOCKER_PTBL	1	SNA	
14	JC61-01869A	BRACKET-LOCKER_PTBR	1	SNA	
15	JC61-01879A	SPRING ETC-LOCK_PTBR	1	SNA	
16	JC61-01890A	GUIDE-HARNESS_CABLE	1	SNA	
17	JC61-01899A	SPRING ETC-LOCK_PTBL	1	SNA	
18	JC61-01927A	FRAME-LSU	1	SNA	
19	JC61-02656A	BRACKET-OPE_SIDE	1	SNA	

Drawer#	SEC_Code	Description	QT'y	Service	Remark
20	JC61-02834A	PLATE-GND_PICKUP	1	SNA	
21	JC63-02115A	SHEET-LSU	1	SNA	
22	JC64-00303A	LOCKER-PTB_R	1	SA	
23	JC64-00304A	LOCKER-PTB_L	1	SA	
24	JC66-02419A	GEAR-RDCN FEED E	1	SNA	
25	JC67-00340A	CAP-PICK UP GEAR	1	SNA	
26	JC71-00042A	BAR-P_CROSS BOTTOM	2	SA	
27	JC72-01539A	SPONGE-SEALING_LSU	4	SNA	
28	JC72-01553A	SPONGE-BAR_CROSS	1	SNA	
29	JC96-04481A	ELA UNIT-OPE_LEFT	1	SA	
30	JC96-04487A	ELA UNIT-DUCT_FUSER	1	SA	
31	JC96-05412A	ELA UNIT-FRAME_TOP	1	SNA	
32	JC96-05413A	ELA UNIT-FRAME_BOTTOM	1	SNA	
33	JC96-05415A	ELA UNIT-FRAME_LEFT	1	SNA	
34	JC96-05420A	ELA UNIT-DEVE_CRUM	1	SNA	
35	JC96-05427A	ELA UNIT-FUSER BLDC	1	SA	
36	JC96-05436A	ELA UNIT-FEED DRIVE	1	SNA	
37	JC96-05438A	ELA UNIT-FRAME_RIGHT	1	SNA	
38	JC97-02883A	MEA UNIT-COVER_OPEN	1	SA	
39	JC97-02895A	MEA-GEAR PICK UP	1	SA	

6. FUSER_BLDC_MAIN



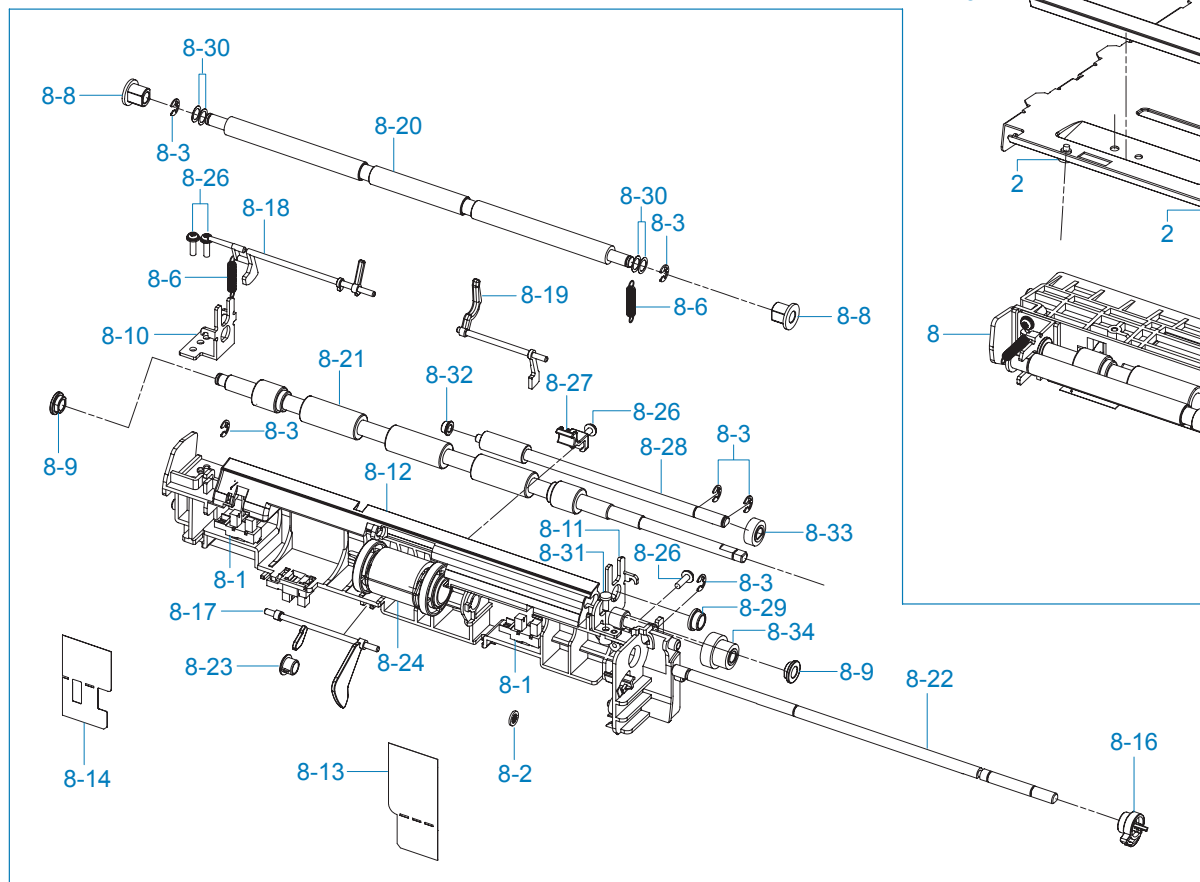
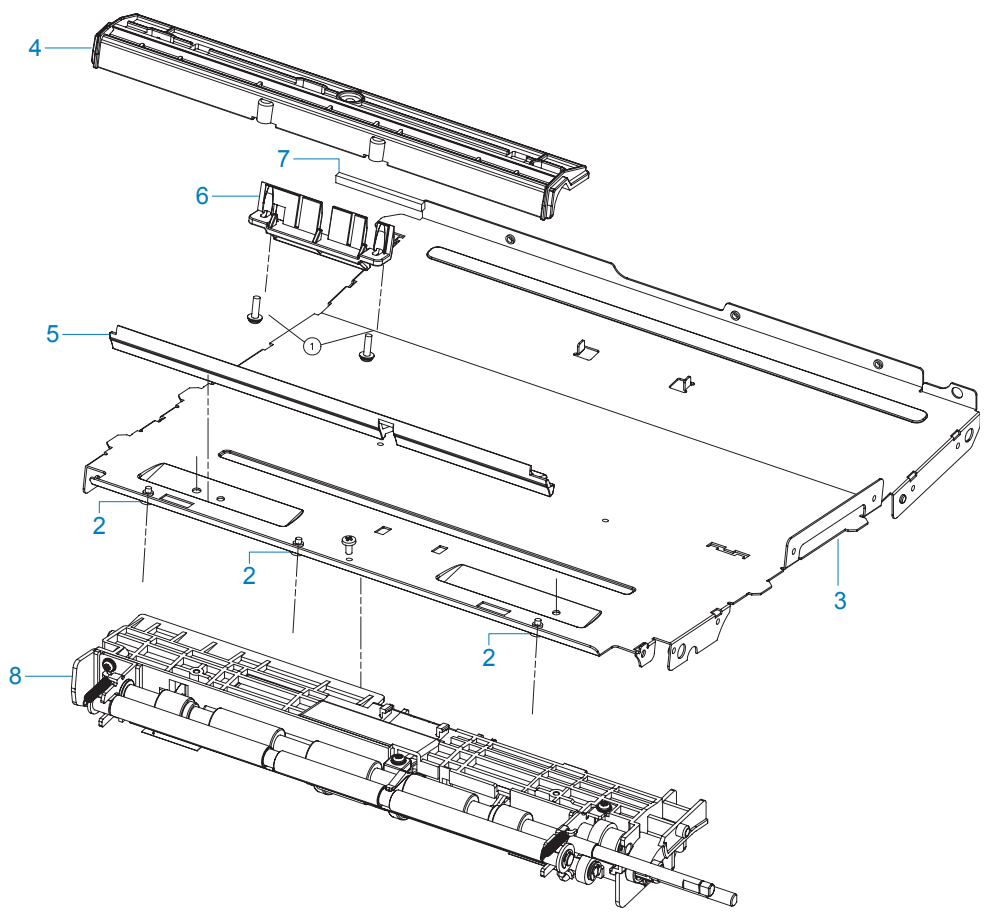
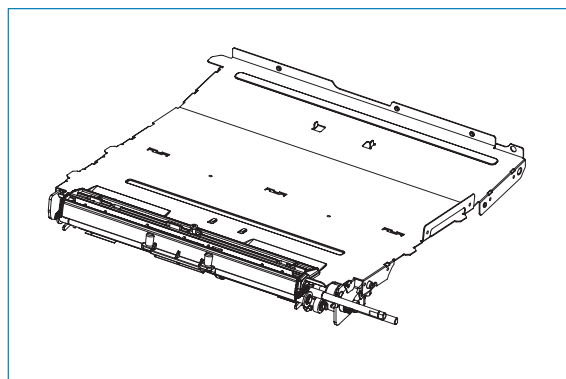
FUSER_BLDC_MAIN Parts List

SA : SERVICE AVAILABLE, SNA : SERVICE not AVAILABLE

Drawer#	SEC_Code	Description	QT'y	Service	Remark
0	JC96-05427A	ELA UNIT-FUSER BLDC	1	SNA	
1	0205-001003	GREASE-BEARING	0.01	SNA	
2	6003-000269	SCREW-TAPTITE	14	SA	
3	JC31-00117A	MOTOR BLDC	2	SNA	
4	JC47-00006D	CLUTCH-BK DEVE	1	SNA	
5	JC61-00699A	BUSH-D6/L4	2	SA	
6	JC61-01851A	GUIDE-FUSER R	1	SNA	
7	JC61-01859A	BRACKET-FUSER DRIVE L	1	SNA	
8	JC61-01860B	BRACKET-FUSER R BLDC	1	SNA	
9	JC61-02550A	BRACKET-FUSER MOTOR	1	SNA	
10	JC66-01070A	LATCH-M-HUB CLUTCH	1	SNA	
11	JC66-01155A	GEAR-FUSER RDCN OUT V	1	SNA	

Drawer#	SEC_Code	Description	QT'y	Service	Remark
12	JC66-01341A	SHAFT-CLUTCH FU	1	SNA	
13	JC66-01362A	GEAR-DRV FU	1	SNA	
14	JC66-01366A	GEAR-IDLE DEVE	1	SNA	
15	JC66-01368A	GEAR-IDLE DEVE	1	SNA	
16	JC66-01371A	GEAR-IDLE EXIT	2	SNA	
17	JC66-01381A	GEAR-RDCN EXIT	1	SNA	
18	JC66-01386A	GEAR-RDCN FU	1	SNA	
19	JC66-01387A	GEAR-RDCN FU	1	SNA	
20	JC66-01388A	GEAR-RDCN FU	1	SNA	
21	JC66-01393A	GEAR-IDLE DEVE	1	SNA	
22	JC66-02434A	GEAR-RDCN FUCZ	1	SNA	
23	JG74-10541A	MPR-RING CHARGE	1	SA	

7. FRAME_BOTTOM_MAIN



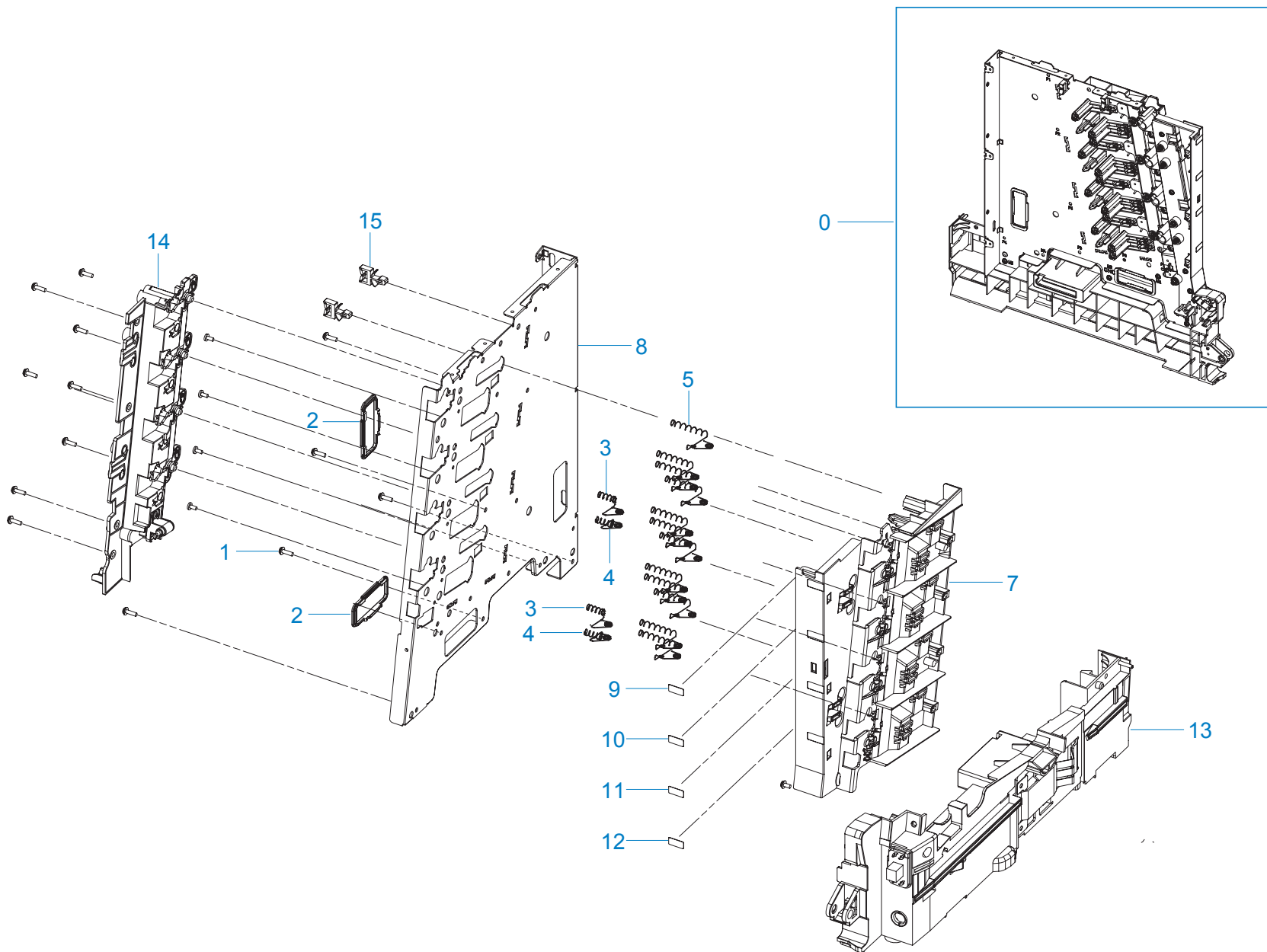
FRAME_BOTTOM_MAIN Parts List

SA : SERVICE AVAILABLE, SNA : SERVICE not AVAILABLE

Drawer#	SEC_Code	Description	QT'y	Service	Remark
0	JC96-05413A	ELA UNIT-FRAME_BOTTOM	1	SNA	
1	6003-000196	SCREW-TAPTITE	2	SA	
2	6003-000269	SCREW-TAPTITE	4	SA	
3	JC61-01871A	FRAME-BOTTOM	1	SNA	
4	JC61-01878A	GUIDE-PICKUP	1	SA	
5	JC61-02783A	HOLDER-REGI	1	SNA	
6	JC61-02851A	HOLDER-REGI_CLEANING	1	SNA	
7	JC72-01545A	SPONGE-REGI CLEANING	1	SNA	
8	JC96-05421A	ELA UNIT-PICK UP	1	SNA	
8-1	0604-001095	PHOTO-INTERRUPTER	3	SA	
8-2	6044-000001	RING-CS	1	SA	
8-3	6044-000125	RING-E	6	SC	
8-4	6107-001164	SPRING-TS	2	SA	
8-5	6107-001170	SPRING-TS	1	SA	
8-6	6107-001545	SPRING-ES	2	SA	
8-7	JC39-01023A	HARNESS-REGI SENSOR	1	SNA	
8-8	JC61-00699A	BUSH-D6/L4	2	SA	
8-9	JC61-00884A	BUSH-6_D(L)	2	SNA	
8-10	JC61-03489A	BRACKET-REGI_R	1	SNA	
8-11	JC61-02782A	BRACKET-REGI-L	1	SNA	
8-12	JC61-02799A	FRAME-PICKUP	1	SNA	

Drawer#	SEC_Code	Description	QT'y	Service	Remark
8-13	JC63-02179A	SHEET-FRAME_PICKUP_L	1	SNA	
8-14	JC63-02180A	SHEET-FRAME_PICKUP_R	1	SNA	
8-15	JC66-00377A	CAM-M-PICK_UP	1	SA	
8-16	JC66-01402A	CAM-SHAFT_PICK UP	1	SNA	
8-17	JC66-01820A	ACTUATOR-PAPER EMPTY	1	SA	
8-18	JC66-02052A	ACTUATOR-FEED	1	SNA	
8-19	JC66-02053A	ACTUATOR-REGI	1	SNA	
8-20	JC66-02087A	SHAFT-REGI	1	SNA	
8-21	JC66-02088A	ROLLER-REGI	1	SNA	
8-22	JC66-02089A	SHAFT-PICK UP	1	SNA	
8-23	JC72-41364A	PMO-BUSHING_P/U,MP	1	SA	
8-24	JC90-00932A	ASF-PICK UP	1	SA	
8-26	6003-000196	SCREW-TAPTITE	4	SA	
8-27	JC61-03490A	HOLDER-FEED	1	SNA	
8-28	JC66-02417A	ROLLER-FEED	1	SNA	
8-29	JC61-00772A	BUSH-DEV DR	1	SNA	
8-30	6031-000019	WASHER-PLAIN	1	SNA	
8-31	6003-000282	SCREW-TAPTITE	1	SA	
8-32	JC61-01686A	BUSH-4D_FE	1	SNA	
8-33	JC66-02420A	GEAR-FEED ROLLER	1	SNA	
8-34	JC66-02418A	GEAR-RDCN FEED D	1	SNA	

8. FRAME LEFT ASS'Y



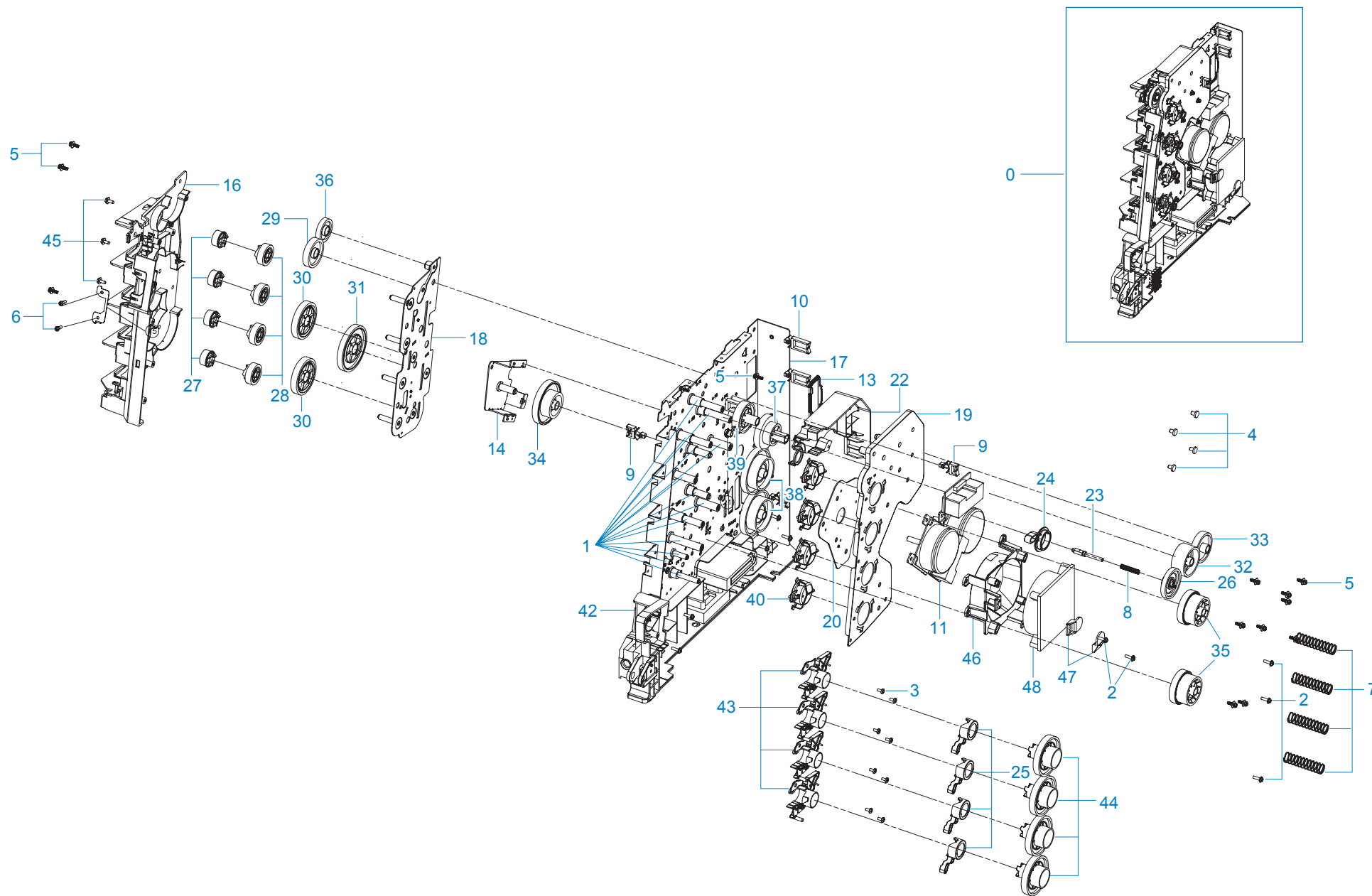
FRAME LEFT ASS'Y Parts List

SA : SERVICE AVAILABLE, SNA : SERVICE not AVAILABLE

Drawer#	SEC_Code	Description	QT'y	Service	Remark
0	JC96-05415A	ELA UNIT-FRAME_LEFT	1	SNA	
1	6003-000196	SCREW-TAPTYPE	14	SA	
2	JC61-01012A	GUIDE-_M_BUSH HARNESS S	2	SNA	
3	JC61-01883A	SPRING ETC-PTB_C	2	SA	
4	JC61-01884A	SPRING ETC-PTB_B	2	SA	
5	JC61-01885A	SPRING ETC-DEVE	12	SA	
7	JC61-01908A	GUIDE-RAIL-L	1	SNA	
8	JC61-01926A	FRAME-LEFT	1	SNA	

Drawer#	SEC_Code	Description	QT'y	Service	Remark
9	JC68-01503B	LABEL-BLANK	1	SNA	
10	JC68-01504A	LABEL(R)-C	1	SNA	
11	JC68-01505A	LABEL(R)-M	1	SNA	
12	JC68-01506A	LABEL(R)-Y	1	SNA	
13	JC96-05422A	ELA UNIT-SUPPORT_CST_L	1	SNA	
14	JC96-05423A	ELA UNIT-PTB_TERMINAL	1	SNA	
15	6502-000132	CABLE CLAMP	2	SNA	

9. FRAME RIGHT ASS'Y



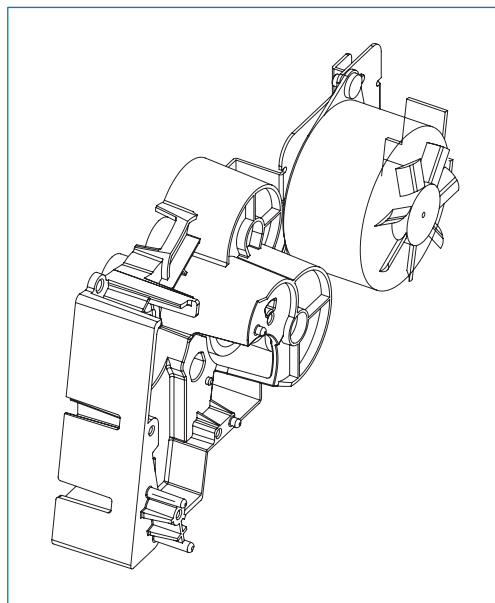
FRAME RIGHT ASS'Y Parts List

SA : SERVICE AVAILABLE, SNA : SERVICE not AVAILABLE

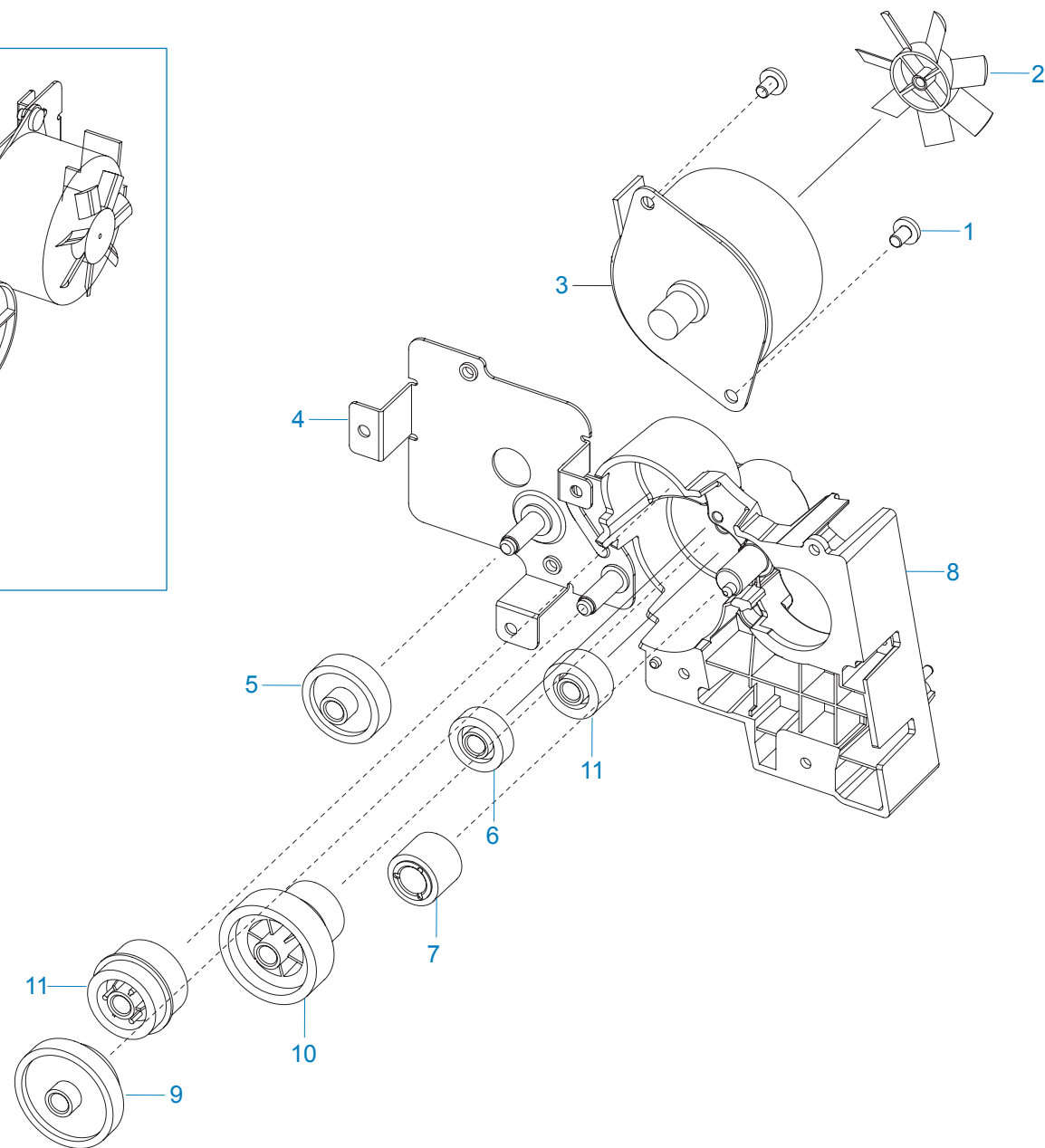
Drawer#	SEC_Code	Description	QT'y	Service	Remark
0	JC96-05438A	ELA UNIT-FRAME_RIGHT	1	SNA	
2	6003-000196	SCREW-TAPTYPE	14	SA	
3	6003-000269	SCREW-TAPTYPE	22	SA	
4	6003-000301	SCREW-TAPTYPE	4	SNA	
5	6006-001193	SCREW-MACHINE	14	SA	
6	6009-001396	SCREW-SPECIAL	2	SNA	
7	6107-001317	SPRING-CS	4	SA	
8	6107-001318	SPRING-CS	1	SA	
9	6502-000132	CABLE CLAMP	3	SNA	
10	6502-001093	CABLE CLAMP	3	SNA	
11	JC31-00117A	MOTOR BLDC	2	SA	
12	JC39-00663A	HARNESS-PTB DRAW_FR	1	SNA	
13	JC61-01012A	GUIDE-_M_BUSH HARNESS S	1	SNA	
14	JC61-01837A	BRACKET-GEAR DEVE	1	SNA	
15	JC61-01898A	BRACKET-DRAWER_PT B	1	SNA	
16	JC61-01907B	GUIDE-RAIL_R	1	SNA	
17	JC61-01925B	FRAME-RIGHT	1	SNA	
18	JC61-02160B	BRACKET-DEVE_DR B	1	SNA	
19	JC61-02775A	BRACKET-MAIN COVER	1	SNA	
20	JC61-02777A	BRACKET-BLDC MOTOR	1	SNA	
21	JC61-02778A	HOLDER-PTB GEAR	1	SNA	
22	JC63-02079A	COVER-PTB GEAR	1	SNA	
23	JC66-02105A	SHAFT-PTB GEAR	1	SNA	
24	JC66-01343A	CAM-PTB COUPLING	1	SNA	

Drawer#	SEC_Code	Description	QT'y	Service	Remark
25	JC66-01344A	CAM-OPC COUPLING	4	SNA	
26	JC66-01361A	GEAR-COUPLING DRV PTB	1	SNA	
27	JC66-02443A	GEAR-DRV DEVE CZ	4	SNA	
28	JC66-01365A	GEAR-DRV2 DEVE	4	SNA	
29	JC66-01367A	GEAR-IDLE DEVE	1	SNA	
30	JC66-01369A	GEAR-IDLE DEVE	2	SNA	
31	JC66-01370A	GEAR-IDLE DEVE	1	SNA	
32	JC66-01377A	GEAR- IDLE PTB A	1	SNA	
33	JC66-01378A	GEAR-IDLE PTB B	1	SNA	
34	JC66-01380A	GEAR-RDCN DEVE	1	SNA	
35	JC66-01389A	GEAR-RDCN OPC	2	SNA	
36	JC66-01394A	GEAR-IDLE DEVE	1	SNA	
37	JC66-02047A	GEAR-RDCN PTB A	1	SNA	
38	JC66-02048A	GEAR-RDCN OPC A	2	SNA	
39	JC66-02049A	GEAR-IDLE PTB C	1	SNA	
40	JC67-00341A	CAP-OPC GEAR	4	SNA	
41	JC92-02107A	PBA SUB-TEMP	1	SNA	
42	JC96-05424A	ELA UNIT-SUPPORT_CSTR	1	SNA	
43	JC97-02853A	MEA UNIT-COUPLING OPC	4	SNA	
44	JC97-02960A	MEA UNIT-GEAR OPC	4	SNA	
45	6009-001492	SCREW-HEX	4	SNA	
46	JC67-00419A	DUCT-FAN	1	SA	
47	JC61-00667A	STOPPER-M-FAN80	2	SA	
48	JC31-00115A	FAN	1	SA	

10. FEED DRIVE



0



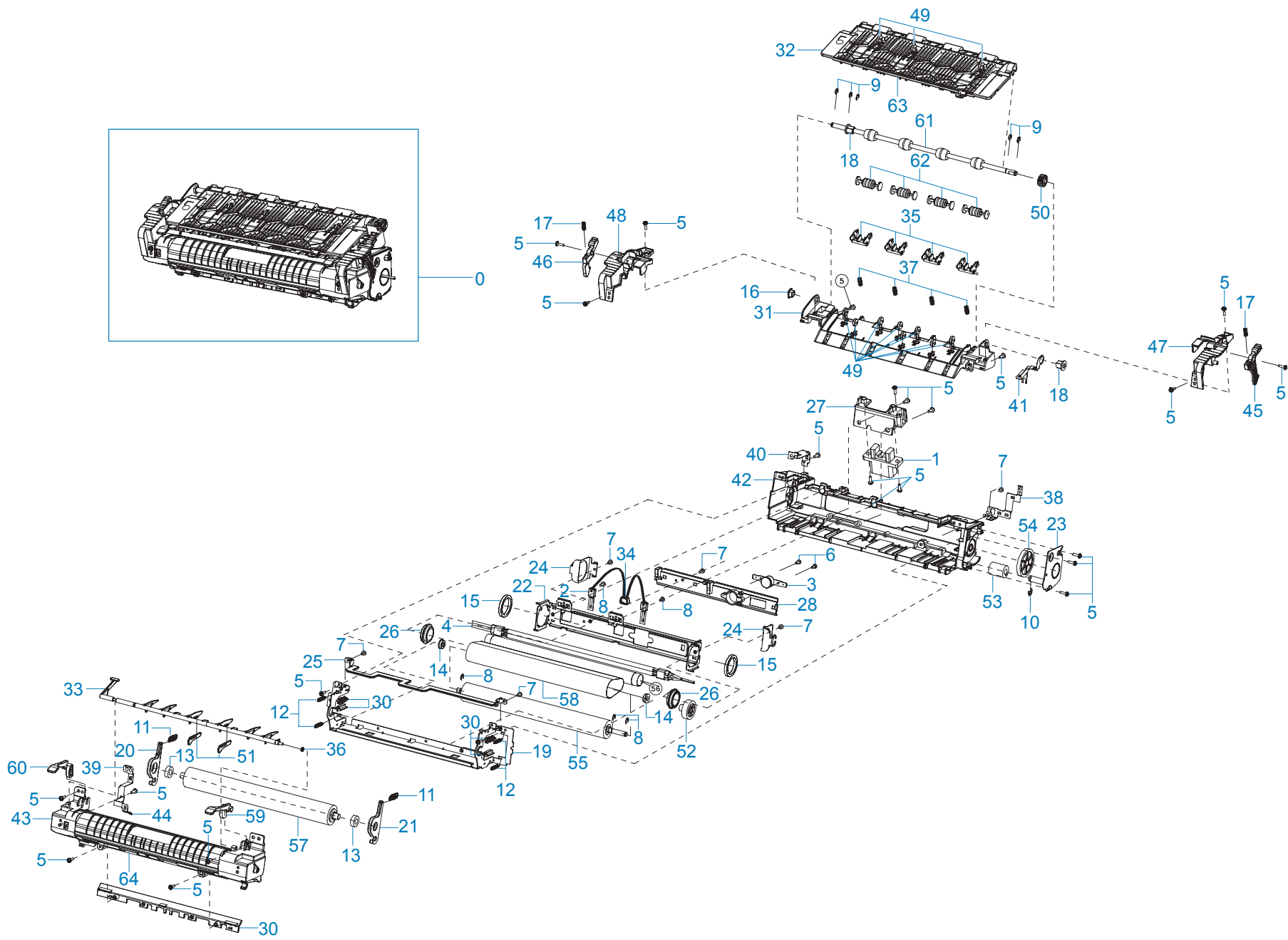
FEED DRIVE Parts List

SA : SERVICE AVAILABLE, SNA : SERVICE not AVAILABLE

Drawer#	SEC_Code	Description	QT'y	Service	Remark
0	JC96-05436A	ELA UNIT-FEED DRIVE	1	SNA	
1	6003-000301	SCREW-TAPTITE	1	SNA	
2	JC72-00825A	PMO-IMPELLER_DRV	1	SA	
3	JC31-00076A	MOTOR STEP	1	SA	
4	JC61-02776A	BRACKET-FEED MOTOR	1	SNA	
5	JC66-02043A	GEAR-IDLE FEED A	1	SNA	

Drawer#	SEC_Code	Description	QT'y	Service	Remark
6	JC66-02044A	GEAR-IDLE FEED B	1	SNA	
7	JC66-02045A	GEAR-IDLE FEED C	1	SNA	
8	JC61-02785A	BRACKET-FEED GEAR	1	SNA	
9	JC66-02040A	GEAR-RDCN FEED A	1	SNA	
10	JC66-02041A	GEAR-RDCN FEED B	1	SNA	
11	JC66-02042A	GEAR-RDCN FEED C	1	SNA	

11. FUSER



FUSER Parts List

SA : SERVICE AVAILABLE, SNA : SERVICE not AVAILABLE

Drawer#	SEC_Code	Description	QT'y	Service	Remark
0	JC96-05454A	ELA UNIT-FUSER	1	SA	110V
0	JC96-05455A	ELA UNIT-FUSER	1	SA	220V
1		DRAWER_CONNECTOR	1	SA	
2	1404-001486	THERMISTOR-NTC ASSY	1	SA	
3	4712-001046	THERMOSTAT	1	SA	
4	4713-001221	LAMP-HALOGEN	1	SA	220V
4	4713-001222	LAMP-HALOGEN	1	SA	110V
5	6003-000196	SCREW-TAPTITE	24	SA	
6	6003-000267	SCREW-TAPTITE	2	SNA	
7	6003-000269	SCREW-TAPTITE	6	SA	
8	6003-000282	SCREW-TAPTITE	2	SNA	
9	6044-000125	RING-E	7	SC	
10	6044-000231	RING-E	1	SA	
11	6107-001323	SPRING-ES	2	SA	
12	6107-001324	SPRING-ES	4	SA	
13	6601-001341	BEARING-BALL	2	SA	
14	6601-001478	BEARING-BALL	2	SNA	
15	6601-001479	BEARING-BALL	2	SA	
16	JC61-00423A	BUSH-6_D	3	SA	
17	JC61-00550A	SPRING ETC-DEVE REAR	2	SNA	
18	JC61-00884A	BUSH-6_D(L)	2	SNA	
19	JC61-01915A	BRACKET-FUSER	1	SNA	
20	JC61-01916A	BRACKET-PR_L	1	SNA	
21	JC61-01917A	BRACKET-PR_R	1	SNA	
22	JC61-01918A	BRACKET-HR	1	SNA	
23	JC61-01919A	BRACKET-FU_DRIVE	1	SNA	
24	JC61-01920A	HOLDER-LAMP	2	SNA	
25	JC61-01921A	SUPPORT-BRACKET	1	SNA	
26	JC61-01928A	BUSH-HR	2	SNA	
27	JC61-01929A	HOLDER-CONNECTOR	1	SNA	
28	JC61-01930A	HOLDER-HARNESS	1	SNA	

Drawer#	SEC_Code	Description	QT'y	Service	Remark
29	JC61-01931A	HOLDER-BRACKET	4	SNA	
30	JC61-01933A	GUIDE-INPUT	1	SNA	
31	JC61-01934A	GUIDE-OUTPUT	1	SNA	
32	JC61-01935A	GUIDE-DUPLEX	1	SNA	
33	JC61-01938A	GUIDE-ACTUATOR	2	SNA	
34	JC61-02657A	HOLDER-THERMISTOR	1	SNA	
35	JC61-02853A	HOLDER-EXIT	4	SNA	
36	JC61-70903A	SPRING ETC-ACTUATOR	1	SA	
37	JC61-70911A	SPRING ETC-EXIT ROLL FD	4	SA	
38	JC63-01307A	GROUND-LOWER	1	SNA	
39	JC63-01308A	GROUND-PR	1	SNA	
40	JC63-01309A	GROUND-UPPER	1	SNA	
41	JC63-01310A	GROUND-EXIT	1	SNA	
42	JC63-01311A	COVER-FUSER_UPPER	1	SNA	
43	JC63-01312A	COVER-FUSER_LOWER	1	SNA	
44	JC63-01335A	GROUND-PR_SUB	1	SNA	
45	JC64-00309A	LOCKER-FUSER_R	1	SNA	
46	JC64-00310A	LOCKER-FUSER_L	1	SNA	
47	JC64-00311A	HANDLE-FUSER_R	1	SNA	
48	JC64-00312A	HANDLE-FUSER_L	1	SNA	
49	JC66-00608A	ROLLER-EXIT IDLE	11	SNA	
50	JC66-00782A	GEAR_M_EXIT	1	SNA	
51	JC66-01404A	ACTUATOR-FUSER	1	SA	
52	JC66-01405A	GEAR-FUSER	1	SA	
53	JC66-01406A	GEAR-IDLE Z15	1	SA	
54	JC66-01407A	GEAR-IDLE Z39	1	SA	
55	JC66-01410C	ROLLER-FUSER	1	SA	
56	JC66-01411A	ROLLER-HEAT	1	SA	
57	JC66-01412B	ROLLER-PRESSURE	1	SA	
58	JC66-01413C	DRUM-FUSER_BELT	1	SNA	
59	JC66-01416A	LEVER-JAM_R	1	SNA	

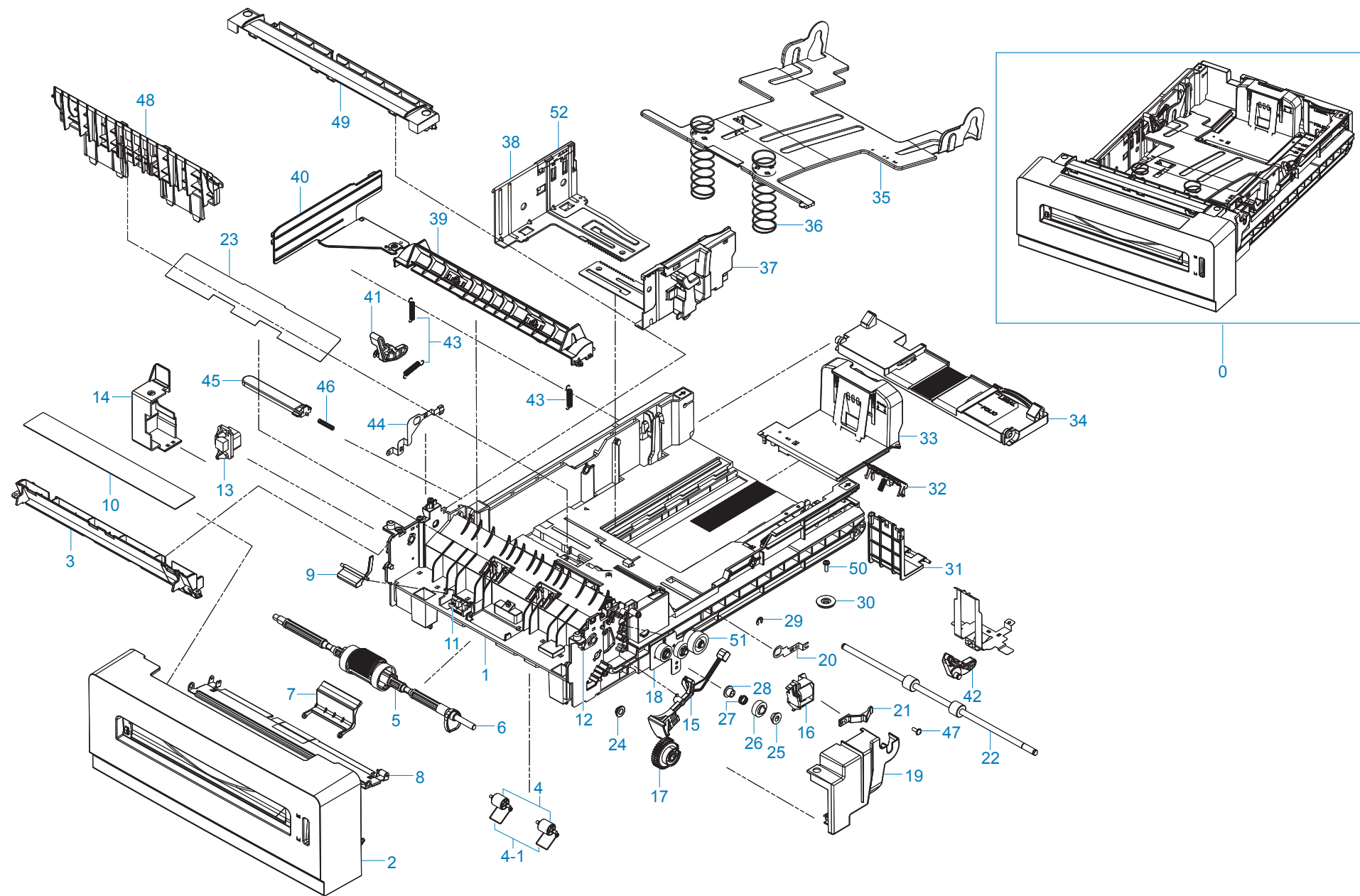
FUSER Parts List

SA : SERVICE AVAILABLE, SNA : SERVICE not AVAILABLE

Drawer#	SEC_Code	Description	QT'y	Service	Remark
60	JC66-01417A	LEVER-JAM_L	1	SNA	
61	JC66-02111A	ROLLER-EXIT	1	SNA	

Drawer#	SEC_Code	Description	QT'y	Service	Remark
62	JC66-02112A	ROLLER-FD F	4	SNA	

12. CASSETTE



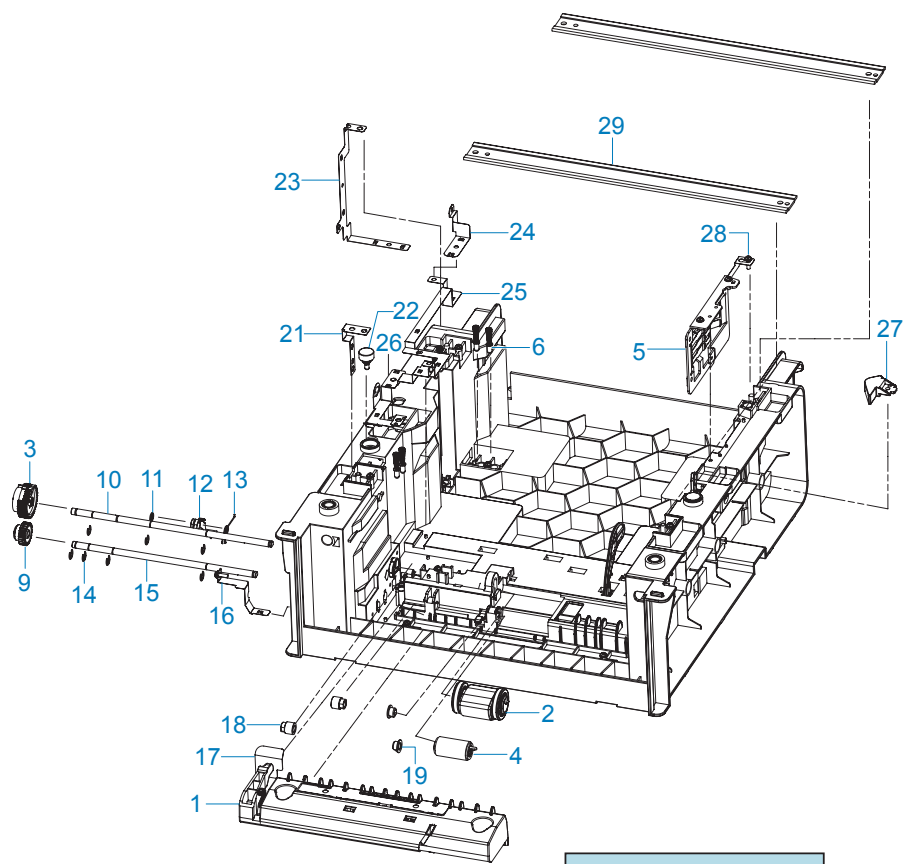
CASSETTE Parts List

SA : SERVICE AVAILABLE, SNA : SERVICE not AVAILABLE

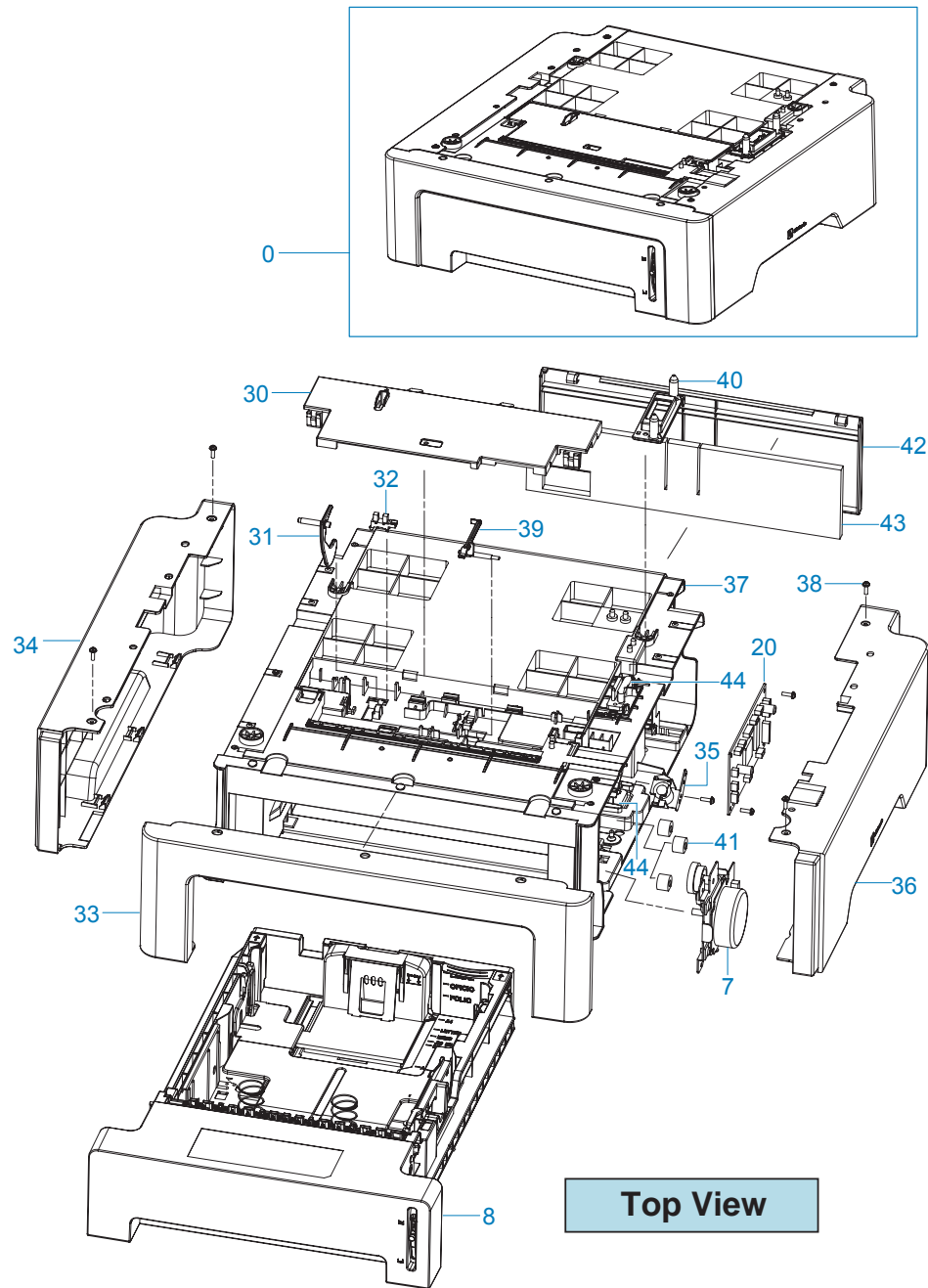
Drawer#	SEC_Code	Description	QT'y	Service	Remark
0	JC96-05346A	ELA-UNIT_CASSETTE	1	SA	
1	JC61-02768A	FRAME-CASSETTE	1	SNA	
2	JC97-03465A	MEA-COVER_CASSETTE	1	SNA	
3	JC61-01865A	GUIDE-PAPER_MPF	1	SNA	
4	JC66-00764A	ROLLER-IDLE FEED	2	SA	
4-1	JC61-01274A	SPRING ETC-ROLLER	2	SA	
5	JC96-02686B	ELA UNIT-ROLLER P/UP MP	1	SA	
6	JC66-01348A	SHAFT-MP_PICK_UP	1	SA	
7	JC97-02892A	MEA-HOLDER PAD_MP	1	SA	
8	JC97-02891A	MEA-KNOCK_UP PLATE_MP	1	SNA	
9	JC66-01403A	ACTUATOR-FEED_EMPTY	1	SA	
10	JC68-02239A	LABEL-INFORMATION	1	SNA	
11	0604-001095	PHOTO-INTERRUPTER	1	SA	
12	JC72-41191B	PMO-BEARING SHAFT	2	SA	
13	JC39-00659A	HARNES-MP DRAWER_MP	1	SNA	
14	JC63-01286A	COVER-DRAW_CONNECTOR	1	SNA	
15	JC64-00441A	INDICATOR-EMPTY	1	SNA	
16	JC33-00022A	SOLENOID-PICK_UP	1	SA	
17	JC97-02893A	MEA-GEAR PICKUP_MP	1	SA	
18	JC97-03466A	MEA-GEAR_BASE	1	SNA	
19	JC63-02075A	COVER-GEAR_BOX	1	SA	
20	JC61-01923A	PLATE-GND-BRKT-GEAR	1	SNA	
21	JC72-00983A	PMO-LOCKER CST	1	SA	
22	JC66-01347A	ROLLER-FEED	1	SA	
23	JC63-01291A	SHEET-MPF	1	SNA	
24	JC61-00699A	BUSH-D6/L4	2	SA	
25	JC61-01127A	HOLDER-_M_CLUTCH GEAR	1	SA	

Drawer#	SEC_Code	Description	QT'y	Service	Remark
26	JC66-00774A	GEAR-M-REGI	1	SA	
27	6107-001249	SPRING-CS	1	SNA	
28	JC61-01128A	HOLDER-_M_GEAR REGI	1	SA	
29	6044-000125	RING-E	7	SC	
30	JG66-40003A	GEAR-PINION	1	SA	
31	JC61-01228A	HOLDER-M-PAD_HOUSING	1	SNA	
32	JC97-03467A	MEA-HOLDER_PAD	1	SNA	
33	JC97-03468A	MEA-GUIDE_REAR	1	SNA	
34	JC97-03471A	MEA-EXTENTION	1	SNA	
35	JC97-03473A	MEA-KNOCK UP	1	SNA	
36	JC61-00455A	SPRING ETC-PLATE K/UP	2	SA	
37	JC97-03472A	MEA-GUIDE_SIDE_R	1	SNA	
38	JC61-02765A	GUIDE-SIDE_L	1	SA	
39	JC97-02890A	MEA-GUIDE PAPER DUP	1	SA	
40	JC61-01227A	GUIDE-M-PAPER SIZE	1	SNA	
41	JC66-01981A	LINK-DOWN_L	1	SA	
42	JC66-01841A	LINK-DOWN R	1	SNA	
43	JC61-70913A	SPRING ETC-KNOCK UP MP	4	SA	
44	JC63-01282A	GROUND-REGI_BRKT	1	SNA	
45	JC72-41210A	PMO-LOCKER PLATE	1	SA	
46	JG61-70531A	SPRING ETC-LOCKER,PLATE	1	SA	
47	6002-000440	SCREW-TAPPING	2	SNA	
48	JC61-02774A	GUIDE-PAPER_PATH	1	SA	
49	JC61-02771A	GUIDE-PATH	1	SA	
50	6003-000196	SCREW-TAPTITE	2	SA	
51	0205-001003	GREASE-BEARING	0.001	SNA	
52	JC61-02830A	GUIDE-PAPER_L	1	SNA	

13. SCF



Bottom View



Top View

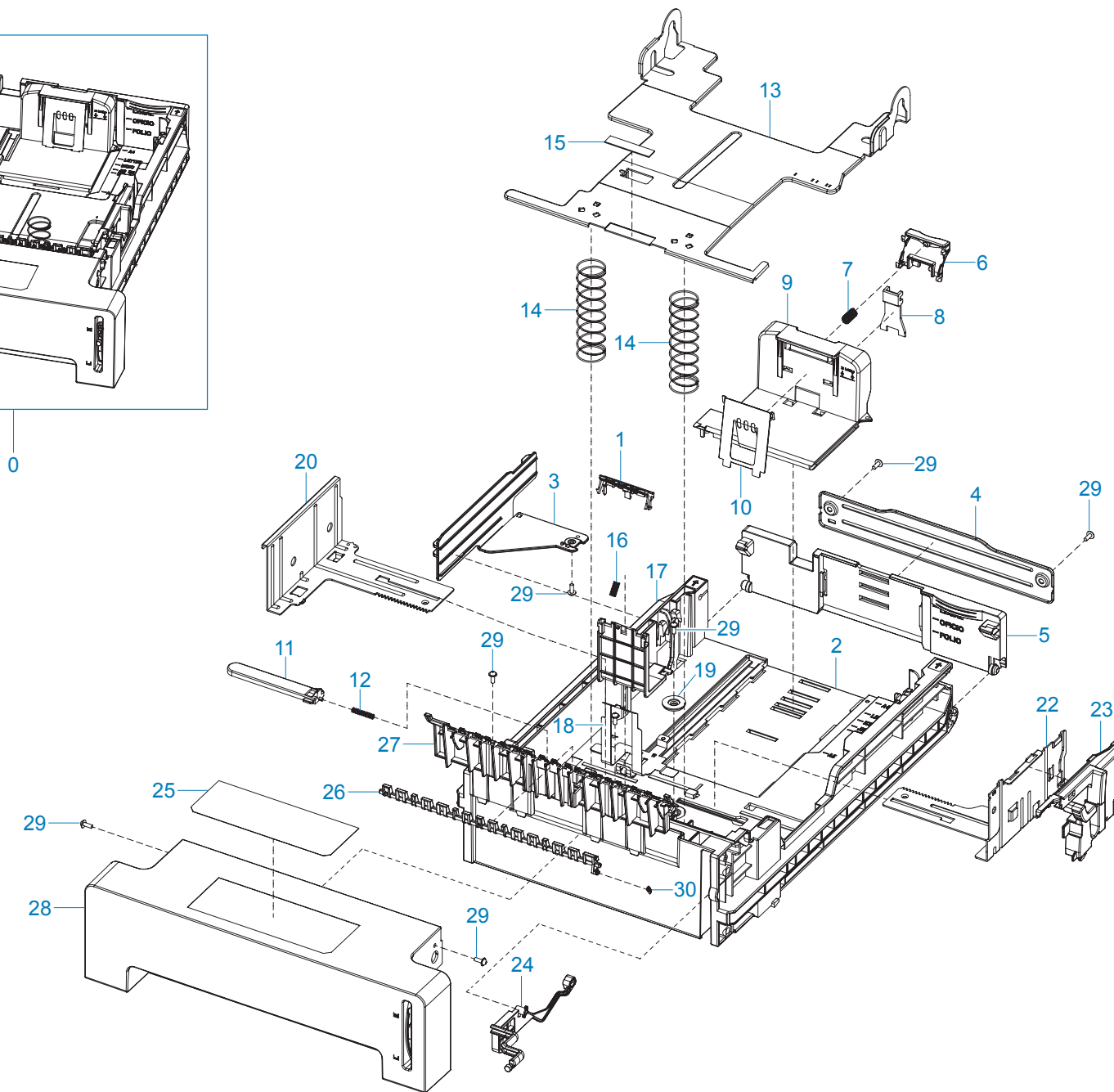
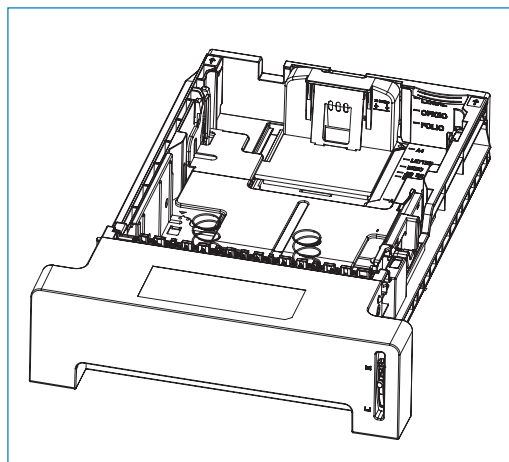
SCF Parts List

SA : SERVICE AVAILABLE, SNA : SERVICE not AVAILABLE

Drawer#	SEC_Code	Description	QT'y	Service	Remark
0	JC96-05347A	ELA-UNIT_SCF	1	SNA	
1	JC96-04019A	ELA UNIT-IDLE_SCF	1	SA	
2	JC97-02233A	MEA UNIT-P/UP_HOUSING	1	SA	
3	JC97-03228A	MEA UNIT-GEAR_PICK_UP	1	SA	
4	JC81-03458A	AS-UNIT_FEED1	1	SA	
5	JC96-02127B	ELA HOU-CST SENSOR HAWK16	1	SA	
6	JC97-01401A	MEA UNIT-TERMINAL:TR	1	SA	
7	JC96-05106A	ELA-SCF BLDC	1	SA	
8	JC96-04954B	ELA HOU-CASSETTE	1	SNA	
9	JC97-03270A	MEA-GEAR ONEWAY	1	SNA	
10	JC66-01277A	SHAFT-PICK UP_SCF	1	SA	
11	6044-000001	RING-CS	1	SNA	
12	JC61-01743A	HOLDER-PICK_UP_SCF	1	SNA	
13	6107-001170	SPRING-TS	1	SA	
14	6044-000125	RING-E	7	SC	
15	JC66-01990A	SHAFT-FEED_SCF	1	SA	
16	JC63-01137A	GROUND-P_MOTOR_SCF	1	SNA	
17	JC63-01163A	SHEET-GUIDE_PATH	1	SA	
18	JC61-01579A	HOLDER-P-REGI	2	SNA	
19	JC66-10202A	BEARING-PICK UP	2	SA	
20	JC92-02094A	PBA-SUB-SCF	1	SA	
21	JC63-01136A	GROUND-P_FRONT_BOTTOM	1	SNA	
22	JC61-40001A	FOOT-ML80	1	SA	

Drawer#	SEC_Code	Description	QT'y	Service	Remark
23	JC63-02072A	GROUND-PBA-MAIN	1	SNA	
24	JC61-01904A	PLATE-GND_FRAME_TOP	1	SNA	
25	JC61-01903A	PLATE-GND_FRAME_SCF	1	SNA	
26	JC63-01141A	GROUND-P_SHAFT	1	SNA	
27	JC72-01355A	PMO-REMOVE_LOCK_CST	1	SA	
28	JC63-02073A	GROUND-PBA-BOTTOM	1	SNA	
29	JC71-00042A	BAR-P_CROSS BOTTOM	2	SA	
30	JC63-00686A	COVER-DUMMY_SCF	1	SNA	
31	JC72-00992A	PMO-ACTUATOR EMPTY SCF	1	SA	
32	0604-001095	PHOTO-INTERRUPTER	1	SA	
33	JC63-02076A	COVER-FRONT_SCF	1	SA	
34	JC63-02078A	COVER-LEFT-SCF	1	SA	
35	JC33-00034A	SOLENOID-PICK UP	1	SA	
36	JC63-02077A	COVER_RIGHT_SCF	1	SA	
37	JC61-01902A	FRAME-SCF	1	SNA	
38	6003-000196	SCREW-TAPTITE	1	SA	
39	JC66-01275A	ACTUATOR FEED	1	SA	
40	JC61-01742A	HOLDER-CONNECTOR_SCF	1	SA	
41	JC73-00278A	RUBBER-NOISE	3	SNA	
42	JC63-02159A	CIVER-NOISE	1	SA	
43	JC72-01512A	SPONGE-COVER_CS	1	SNA	
44	JC39-00973A	HARNESS-SCF	2	SNA	

14. CASSETTE-SCF



CASSETTE-SCF Parts List

SA : SERVICE AVAILABLE, SNA : SERVICE not AVAILABLE

Drawer#	SEC_Code	Description	QT'y	Service	Remark
0	JC96-04954B	ELA HOU-CASSETTE	1	SNA	
1	JC97-03133A	MEA-HOLDER PAD	1	SNA	
2	JC61-01220A	FRAME-M_CASSETTE	1	SNA	
3	JC61-01227A	GUIDE-M-PAPER SIZE	1	SNA	
4	JC61-01223A	BRACKET-P-EXTENTION	1	SNA	
5	JC61-01224A	GUIDE-M_EXTENSION CST	1	SNA	
6	JC64-00190B	KNOB-M_REAR	1	SNA	
7	JC61-00414A	SPRING ETC-GUIDE PAPER	1	SA	
8	JC61-00267B	GUIDE-M-LOCK A	1	SA	
9	JC61-01226B	GUIDE-M_REAR	1	SNA	
10	JC61-00751A	GUIDE-P-REAR PAPER CST	1	SA	
11	JC72-41210A	PMO-LOCKER PLATE	1	SA	
12	JG61-70531A	SPRING ETC-LOCKER_PLATE	1	SA	
13	JC61-01245A	PLATE-P-KNOCK UP	1	SNA	
14	JC61-00455A	SPRING ETC-PLATE K/UP	2	SA	
15	JC73-00141A	RPR-PAD CASSETTE	1	SA	

Drawer#	SEC_Code	Description	QT'y	Service	Remark
16	JC61-70911A	SPRING ETC-EXIT ROLL FD	1	SA	
17	JC61-01228A	HOLDER-M-PAD_HOUSING	1	SNA	
18	JC63-01206A	GROUND-CASSETTE	1	SA	
19	JG66-40003A	GEAR-PINION	1	SA	
20	JC61-02438A	GUIDE-SIDE_L	1	SNA	
21	JC61-70911A	SPRING ETC-EXIT ROLLER FD	1	SA	
22	JC61-01244A	GUIDE-P-SIDE_R	1	SNA	
23	JC61-01225B	GUIDE-M_SIDE LOCK	1	SNA	
24	JC66-01409A	LEVER-INDICATOR_SCF	1	SNA	
25	JC68-01552A	LABEL(R)-CASSETTE	1	SNA	
26	JC64-00268A	SHUTTER-PATH	1	SNA	
27	JC61-01724A	GUIDE-PAPER	1	SNA	
28	JC63-01306B	COVER_HANDLE	1	SNA	
29	6002-000440	SCREW-TAPPING	8	SNA	
30	JC61-00064A	SPRING ETC-CLAW	1	SA	