

6. Exploded Views and Parts Lists

6-1 Main Assembly

6-2 Shield Engine Unit Assembly

6-3 Engine/Frame Lower Assembly

6-4 Fuser Assembly

6-5 RX Drive Unit Assembly

6-6 Holder Feed Unit Assembly

6-7 Plate-Upper Unit Assembly

6-8 OPE-Front Unit Assembly

6-9 Cradle Unit Assembly

6-10 Handset Assembly

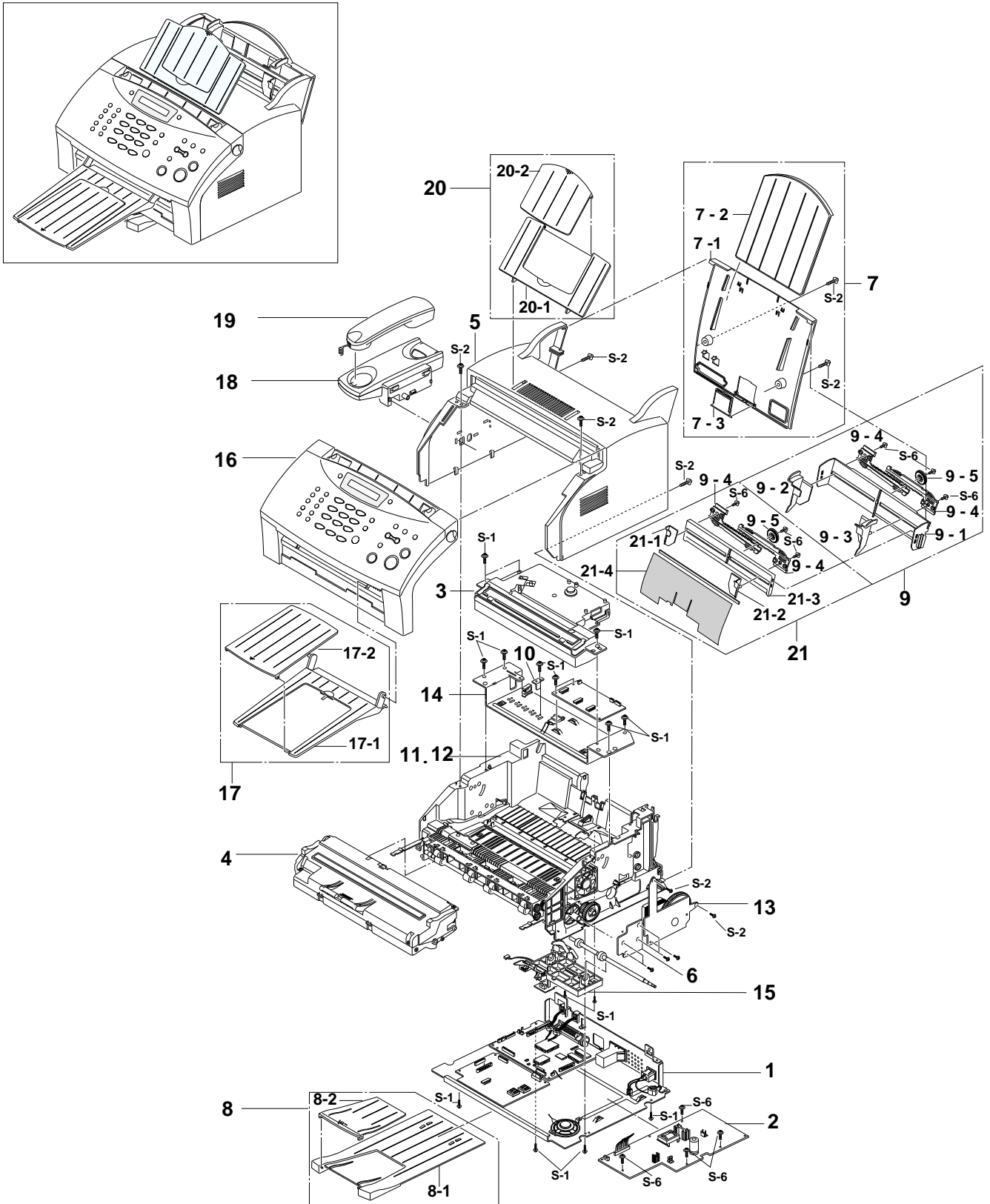
6-11 Packing Assembly

Appendix Information

* Please refer to list

| BUYER | ELA UOU OPE-FRONT | EMC-TRAY | PBA MAIN-LIU |
|---------------|-------------------|-------------|--------------|
| SF-5100I/XEU | JC96-01685A | JC75-00062A | JC92-01155A |
| SF-5100PI/XEU | JC96-01685B | JC75-00075A | JC92-01155A |
| SF-5100I/XAR | JC96-01685L | JC75-00075A | JC92-01192C |
| SF-5100PI/XAR | JC96-01685D | JC75-00075A | JC92-01192C |
| SF-5100I/XEG | JC96-01685G | JC75-00062A | JC92-01192D |
| SF-5100PI/XEG | JC96-01685H | JC75-00075A | JC92-01192D |
| SF-5100I/XSA | JC96-01685N | JC75-00062A | JC92-01192E |
| SF-5100PI/XSA | JC96-01685P | JC75-00075A | JC92-01192E |
| SF-5100I/XEF | JC96-01685L | JC75-00062A | JC92-01192A |
| SF-5100PI/XEF | JC96-01685M | JC75-00075A | JC92-01192A |
| SF-5100PI/XAC | JC96-01685Y | JC75-00075A | JC92-01192C |
| SF-5100I/XIL | JC96-01685J | JC75-00062A | JC92-01192C |
| SF-5100PI/XIL | JC96-01685K | JC75-00075A | JC92-01192C |
| SF-5100I/XEP | JC96-01685U | JC75-00062A | JC92-01155A |
| SF-5100PI/XEP | JC96-01685V | JC75-00075A | JC92-01155A |
| SF-5100I/XET | JC96-01685Q | JC75-00062A | JC92-01155A |
| SF-5100PI/XET | JC96-01685R | JC75-00075A | JC92-01155A |

6-1 Main Assembly

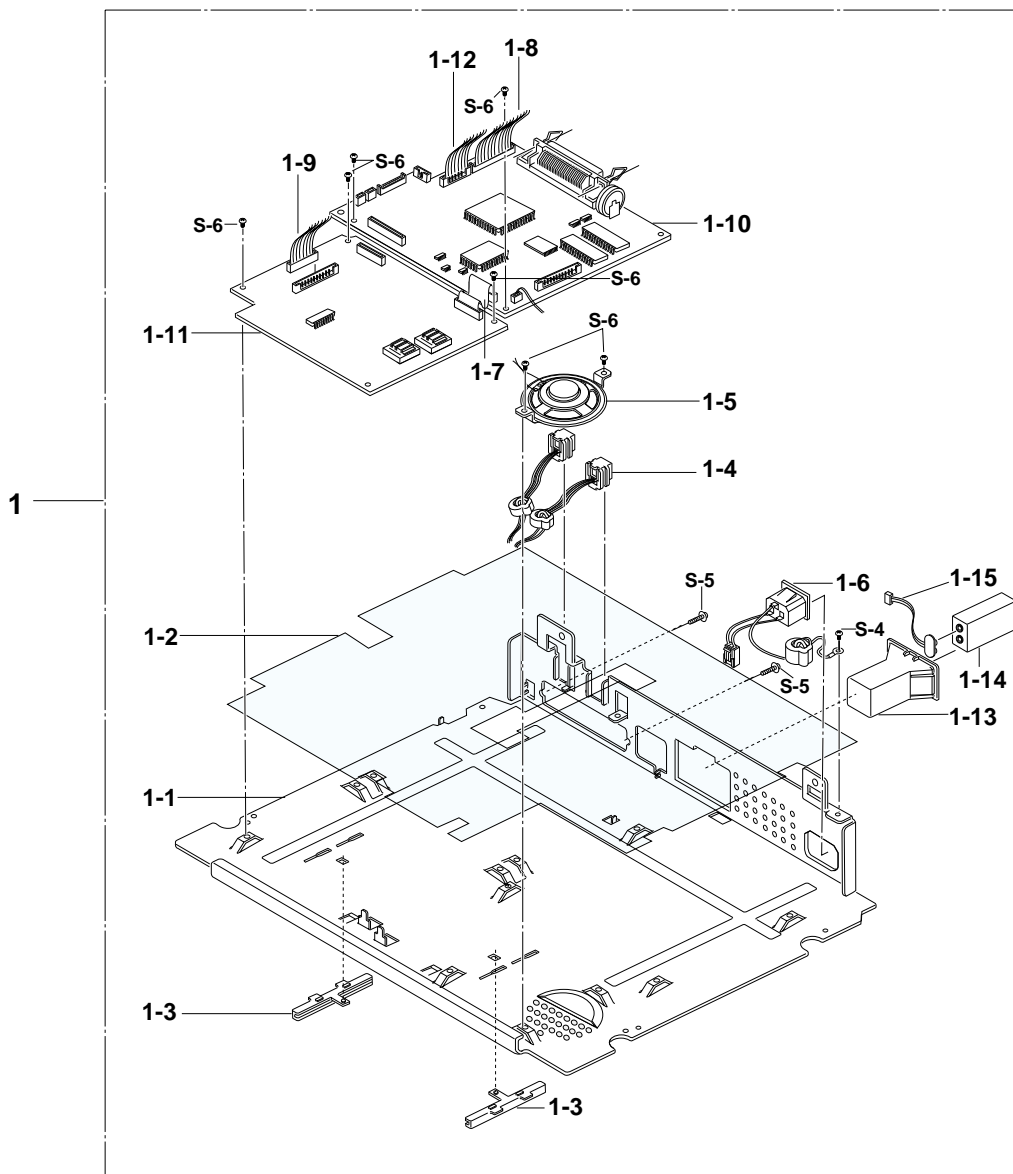
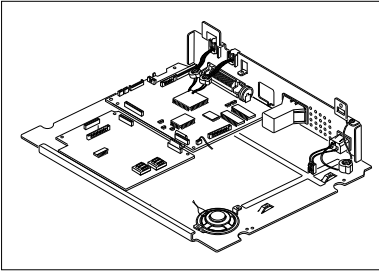


Main Assembly Parts Lists

| LOCATION NO | .Description | CODE NO. | Q'TY | SA | Remark |
|-------------|--------------------------|-----------------------|------|----|----------|
| 1 | ELA HOU-SHIELD ENGINE | * | 1 | | |
| 2 | PBA-SMPS | JC44-00006A | 1 | O | For 220V |
| | PBA-SMPS | JC44-00004A | 1 | O | For 110V |
| 3 | UNIT-LSU | JC59-00002A | 1 | O | |
| 4 | ELA UNIT-DEVE PUBLIC | * | 1 | | |
| 5 | PMO-COVER TOP | JC72-00128A | 1 | O | |
| 6 | IRP-BRACKET FUSER DRV | JC70-00108A | 1 | O | |
| 7 | MEC-COVER_REAR | JC75-00059A | 1 | O | |
| | 7-1 PMO-COVER_REAR | * | 1 | | |
| | 7-2 PMO-TRAY_LARGE | * | 1 | | |
| | 7-3 PMO-COVER_BATT | * | 1 | | |
| 8 | MEC-STACKER | JC75-00060A | 1 | O | |
| | 8-1 PMO-STACKER_MAIN | * | 1 | | |
| | 8-2 PMO-STACKER_SUB | * | 1 | | |
| 9 | MEC-TRAY | refer the information | 1 | O | |
| | 9-1 PMO-TRAY_AUTO | * | 1 | | |
| | 9-2 PMO-ADJUST_AUTO,L | * | 1 | | |
| | 9-3 PMO-ADJUST_AUTO,R | * | 1 | | |
| | 9-4 PMO-GEAR-ADJUST RACK | * | 2 | | |
| | 9-5 PMO-GEAR-PINION | * | 1 | | |
| | 9-8 TRAY MANUAL, PA | * | 1 | | |
| | S-6 SCREW-TAPTITE | * | 3 | | |
| 9 | MEA UNIT-TRAY (P) | refer the information | 1 | O | |
| | 9-1 PMO-TRAY_AUTO | * | 1 | | |
| | 9-2 PMO-ADJUST_AUTO,L | * | 1 | | |
| | 9-3 PMO-ADJUST_AUTO,R | * | 1 | | |
| | 9-4 PMO-GEAR-ADJUST RACK | * | 4 | | |
| | 9-5 PMO-GEAR-PINION | * | 2 | | |
| | 9-6 PMO-ADJUST MANUAL, L | * | 1 | | |
| | 9-7 PMO-ADJUST MANUAL, R | * | 1 | | |
| | 9-8 TRAY MANUAL, PA | * | 1 | | |
| | 9-9 GUIDE-FILM PAPER | * | 1 | | |
| | S-6 TAPTITE-SCREW | * | 6 | | |
| 10 | IPR-PLATE_CHANNEL | JC70-00058A | 1 | O | |
| 11 | ELA HOU-ENGINE ASS'Y | * | 1 | | |
| 12 | ELA HOU-FRAME LOWER | JC96-01686A | 1 | O | For 110V |
| | ELA HOU-FRAME LOWER | JC96-01687A | 1 | O | For 220V |
| 13 | MEC-RX DRIVE | JC75-00085A | 1 | O | |
| 14 | MEC-PLATE-UPPER | JC75-00057A | 1 | O | |
| 15 | MEC-HOLDER FEED | JC75-00055A | 1 | O | |
| 16 | ELA HOU OPE-FRONT | refer the information | 1 | O | |
| 17 | MEC-STACKER RX | JC75 00084A | 1 | O | |
| 18 | MEC-CRADLE | JC75-00083A | 1 | O | |
| 19 | ELA HOU-HANDSET | JC96-01629A | 1 | O | |
| 20 | MEA UNIT-CHUTE ASS'Y | JC97-01187E | 1 | O | |
| S-1 | TAPTITE-SCREW | * | 12 | | |
| S-2 | TAPTITE-SCREW | * | 15 | | |
| S-6 | TAPTITE-SCREW | * | 4 | | |

SA : Service Avail

6-2 Shield Engine Unit Assembly

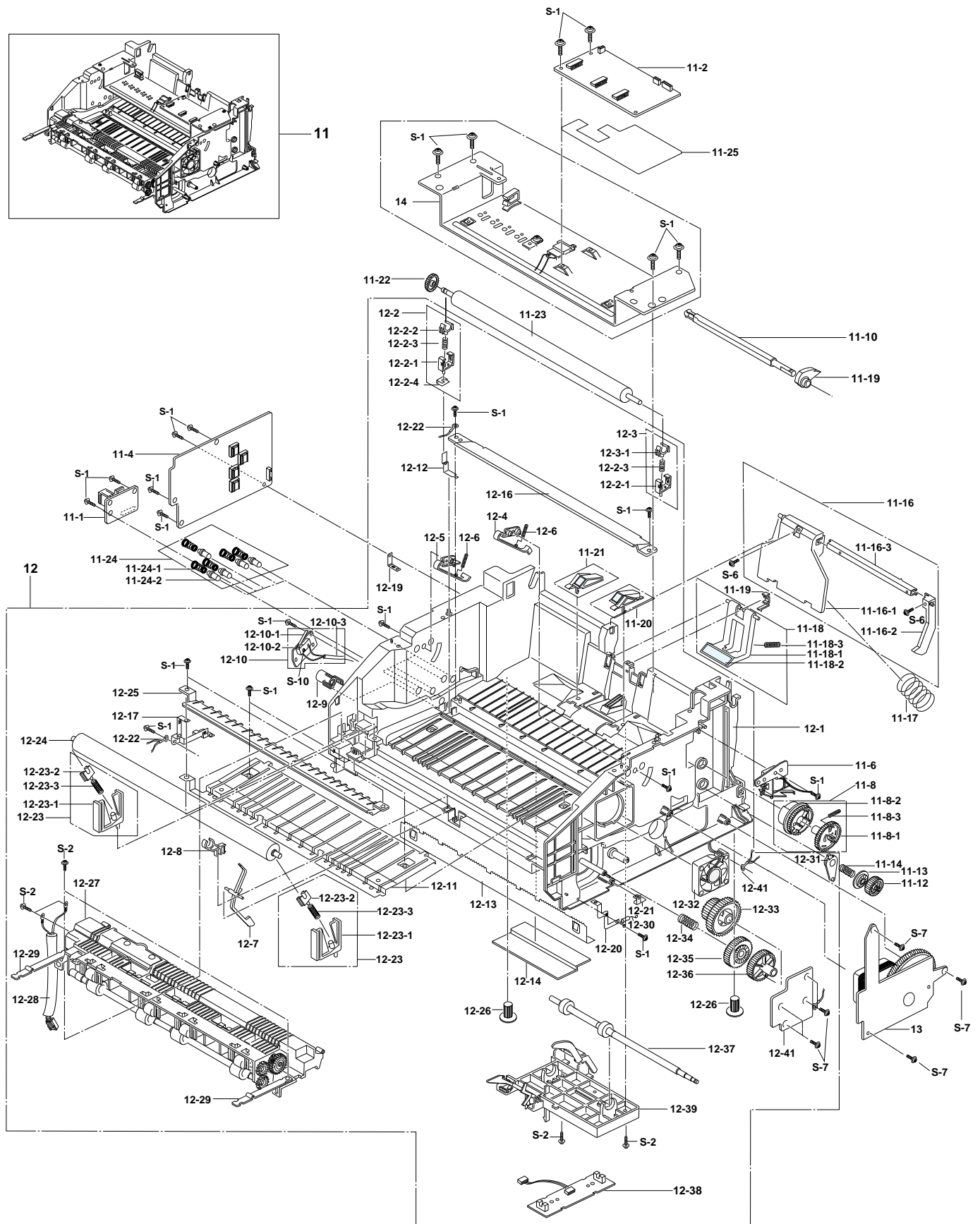


Shield Engine Unit Assembly Parts Lists

| LOCATION NO | .Description | CODE NO. | Q'TY | SA | Remark |
|-------------|-------------------------|-----------------------|------|----|--------------|
| 1 | ELA UNIT ENGINE ASSY | * | 1 | | |
| 1-1 | IPR-SHIELD-ENGINE | JC70-00037A | 1 | O | |
| | IPR-SHIELD-ENGINE | JC70-00037B | 1 | O | For SF-5100T |
| 1-2 | PCT-INSULATOR SMPS | JC72-00218A | 1 | O | |
| 1-3 | PMO-GUIDE STACKER | JC72-00171A | 2 | O | |
| 1-4 | CBF HARNESS-MODULA | JC39-00058A | 1 | O | |
| 1-5 | ELA M/MEDIO AUD-SPEAKER | JC96-01607A | 1 | O | |
| 1-6 | POWER-INLET | JC39-40022A | 1 | O | |
| 1-7 | CABLE-FLAT | 3809-001161 | 1 | O | |
| 1-8 | CBF HARNESS-LSU | JC39-00043A | 1 | O | |
| 1-9 | CBF HARNESS-LIU/HOOK | JC39-00048A | 1 | O | |
| 1-10 | PBA MAIN-MAIN | JC92-01152A | 1 | O | |
| 1-11 | PBA MAIN-LIU | refer the information | 1 | O | |
| 1-12 | CBF HARNESS-MAIN/HVPS | JC39-00047A | 1 | O | |
| 1-13 | PMO-CASE BATTERY | JC72-00181A | 1 | O | For SF-5100T |
| 1-14 | BATTERY | | 1 | | For SF-5100T |
| 1-15 | CBF HARNESS-BATTERY | | 1 | | For SF-5100T |
| S-4 | SCREW-MACHINE | * | 1 | | |
| S-5 | SCREW-TAPTITE | * | 2 | | |
| S-6 | SCREW-TAPTITE | * | 7 | | |

SA : Service Avail

6-3 Engine/Frame Lower Assembly



Engine/Frame Lower Assembly Parts Lists

| LOCATION NO | .Description | CODE NO. | Q'TY | SA | Remark |
|-------------|------------------------|-------------|------|----|--------|
| 11 | ELA HOU-ENGINE ASS'Y | * | 1 | | |
| 11-1 | PBA-HOOK | JC92-01196A | 1 | O | |
| 11-2 | PBA-ENGINE | JC92-01154A | 1 | O | |
| 11-4 | PBA-HVPS | JC92-01184A | 1 | O | |
| 11-5 | CBF-NARNESS THERMISTOR | JC39-00045A | 1 | O | |
| 11-6 | UNIT-SOLENOID | JC33-0002A | 1 | O | |
| 11-7 | CBF HARNESS-MAIN/SCAN | JC39-00040A | 1 | O | |
| 11-8 | MEC-GEAR PICKUP | JC75-00056A | 1 | O | |
| 11-8-1 | PMO-GEAR_PICKUP,1 | * | 1 | | |
| 11-8-2 | PMO-GEAR_PICKUP,2 | * | 1 | | |
| 11-8-3 | SPRING-PICKUP,GEAR | * | 1 | | |
| 11-9 | PMO-CAM_PICKUP | * | 1 | | |
| 11-10 | PMO-SHAFT_PICKUP | * | 1 | | |
| 11-12 | PMO-GEAR_FEED | JC72-00115A | 1 | O | |
| 11-13 | PMO-CLUTCH_FEED | JC72-00116A | 1 | O | |
| 11-14 | SPRING-CLUTCH | JC61-00012A | 1 | O | |
| 11-16 | MEC-KNOCKUP ASSY | JC75-00053A | 1 | O | |
| 11-16-1 | PMO-PLATE_KNOCKUP | * | 1 | | |
| 11-16-2 | PMO-CAM-KNOCKUP | * | 1 | | |
| 11-16-3 | IPR-BAR_KNOCKUP | * | 1 | | |
| S-6 | SCREW-TAPTITE | * | 2 | | |
| 11-17 | SPRING-KNOCKUP | JC61-00023A | 1 | O | |
| 11-18 | MEC-HOLDER PAD | JC75-00052A | 1 | O | |
| 11-18-1 | PMO-HOLDER_PAD | * | 1 | | |
| 11-18-2 | RPR-PAD FRICTION | * | 1 | | |
| 11-18-3 | SPRING-PAD | * | 1 | | |
| 11-19 | PMO-CAP_PAD | JC72-00124A | 2 | O | |
| 11-20 | MEC-SIDE PAD(R) | JC75-00051A | 1 | O | |
| 11-21 | MEC-SIDE PAD(L) | JC75-00050A | 1 | O | |
| 11-22 | PMO-GEAR_TRANSFER | JC72-00179A | 1 | O | |
| 11-23 | ROLLER-TR(APOLLO) | JC75-00035A | 1 | O | |
| 11-24 | MEC-TERMINAL | JC75-00049A | 5 | O | |
| 11-24-1 | TERMINAL | * | 1 | | |
| 11-24-2 | SPRING-HV LARGE | * | 2 | | |

SA : Service Avail

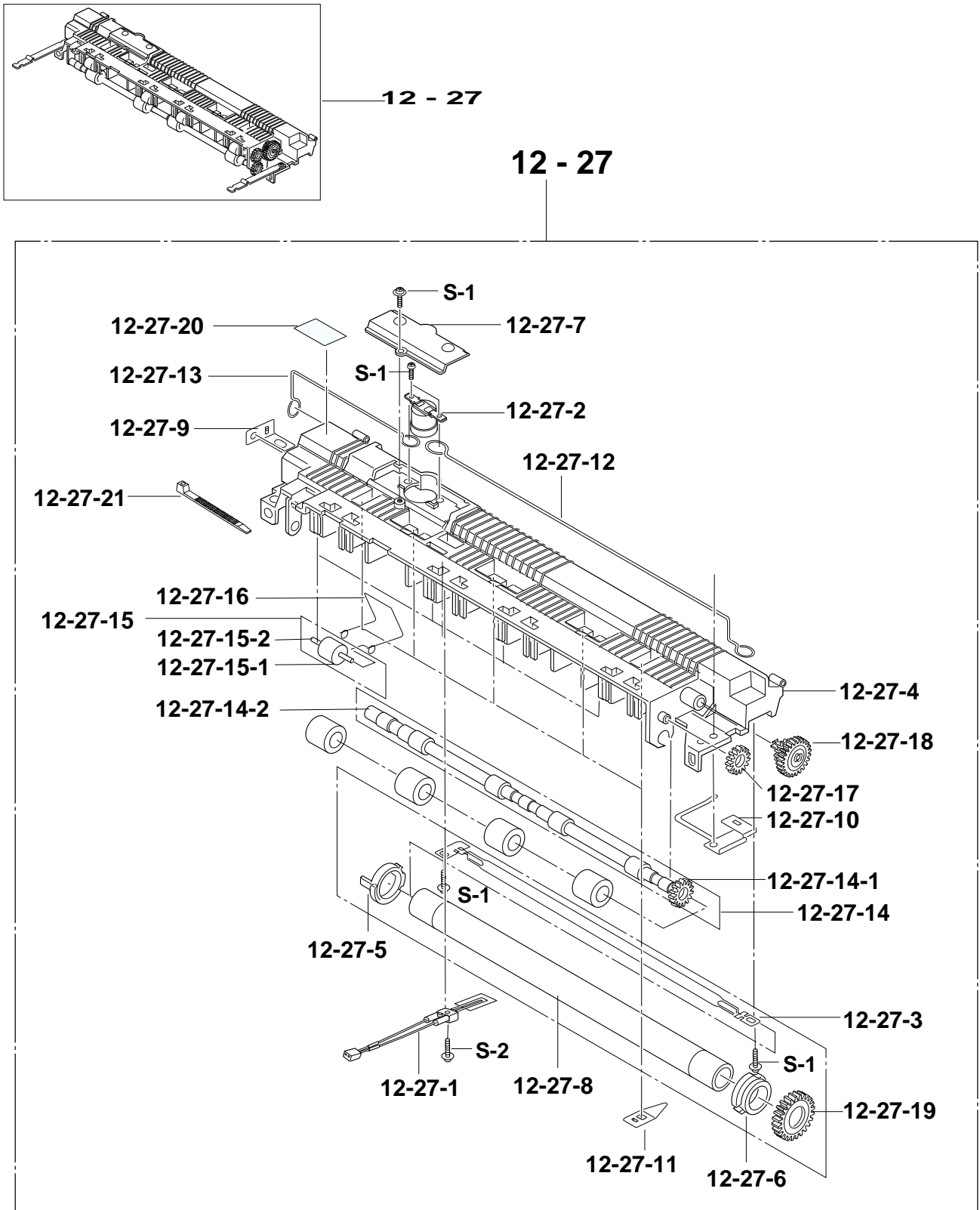
| LOCATION NO | | .Description | CODE NO. | Q'TY | SA | Remark |
|-------------|---------------------|-----------------------|-------------|------|----|----------|
| 12 | 11-25 | PCT-INSULATOR ENG BD | * | 1 | | |
| | S-1 | SCREW-TAPTITE | * | 9 | | |
| | | ELA HOU-FRAME LOWER | JC96-01687A | 1 | O | For 220V |
| | | ELA HOU-FRAME LOWER | JC96-01686 | 1 | O | For 110V |
| | 12-1 | PMO-MAIN FRAME | * | 1 | | |
| | 12-2 | MEA ETC-HOLDER TR L | * | 1 | | |
| | 12-2-1 | PMO-HOLDER TR | * | 1 | | |
| | 12-2-2 | PMO-BUSHING_TR(L) | * | 1 | | |
| | 12-2-3 | SPRING-TR | * | 1 | | |
| | 12-2-4 | IPR-PLATE_TR | * | 1 | | |
| | 12-3 | MEA ETC-HOLDER TR R | * | 1 | | |
| | 12-2-1 | PMO-HOLDER TR | * | 1 | | |
| | 12-3-1 | PMO-BUSHING_TR(R) | * | 1 | | |
| | 12-2-3 | SPRING-TR | * | 1 | | |
| | 12-4 | PMO-CAP PLTE GU/DEV R | JC72-41135A | 1 | O | |
| | 12-5 | PMO-CAP PLTE GU/DEV L | JC72-41173A | 1 | O | |
| | 12-6 | SPRING-GUIDE DEVE | JC61-00038A | 2 | O | |
| | 12-7 | PMO-ACTUATOR_EXIT | * | 1 | | |
| | 12-8 | PMO-HOLDER_EXIT | * | 1 | | |
| | 12-9 | PMO-BUSHING_TERMINAL | * | 1 | | |
| | 12-10 | ELA HOU-OPEN SENSOR | JC96-01584A | 1 | O | |
| | 12-10-1 | IPR-BRKT_SENSOR | * | 1 | | |
| | 12-10-2 | SENSOR | * | 1 | | |
| | 12-10-3 | CBF-HARNESS COVER | JC39-00041A | 1 | O | |
| | S-10 | SCREW-TAPTITE | * | 1 | | |
| | 12-11 | IPR-GUIDE-TR | * | 1 | | |
| | 12-12 | IPR-PLATE-TERMINAL | * | 1 | | |
| | 12-13 | IPR-SAW_PLATE | * | 1 | | |
| | 12-14 | PCT-FILM SAW | * | 1 | | |
| | 12-16 | IPR-EARTH_TRANS | * | 1 | | |
| | 12-17 | IPR-GROUND_GUIDE | * | 1 | | |
| 12-19 | IPR-GROUND_HVPS | * | 1 | | | |
| 12-20 | IPR-GROUND_FUSER | * | 1 | | | |
| 12-21 | IPR-GROUND_DRV | * | 1 | | | |
| 12-22 | CBF HARNESS-OPE GND | * | 1 | | | |

SA : Service Avail

| LOCATION NO | .Description | CODE NO. | Q'TY | SA | Remark |
|-------------|-----------------------|--------------|------|----|----------|
| 12-23 | MEA ETC-HOLDER PR | * | 2 | | |
| 12-23-1 | PMO-HOLDER_PR | * | 1 | | |
| 12-23-2 | BEARING-PR | JC66-10205A | 1 | O | |
| 12-23-3 | SPRING-PR | * | 1 | | |
| 12-24 | MEC-ROLLER_PRESSURE | JC75-00027A | 1 | O | |
| 12-25 | PMO-GUIDE_INPUT | * | 1 | | |
| 12-26 | RMO-RUBBER_FOOT | * | 2 | | |
| 12-27 | ELA HOU-FUSER ASS'Y | JC96-01621A | 1 | | For 110V |
| | ELA HOU-FUSER ASS'Y | JC96-01622A | 1 | | For 220V |
| 12-28 | CBF-HARNESS FUSER | * | 1 | | |
| 12-29 | PHO-STOPPER EXIT | JC72-41396B | 2 | O | |
| 12-30 | ELA HOU-MOTOR GND | * | 1 | | |
| 12-31 | PMO-BUSHING SHAFT | JG72-40849A | 1 | O | |
| 12-32 | FAN-DC | 3103-001071 | 1 | O | |
| 12-33 | PMO-GEAR_83/35 | JC72-00154A | 1 | O | |
| 12-34 | SPRING-FU DR | JC61-00016A | 1 | O | |
| 12-35 | PMO-GEAR_FU_IN 47 | JC72-00155A | 1 | O | |
| 12-36 | PMO-GEAR_FU_OUT 47 | JC72-00157A | 1 | O | |
| 12-37 | MEC-ROLLER FEED | JC75-00054A | 1 | O | |
| 12-38 | PBA-SENSOR | JC92-01197A | 1 | O | |
| 12-39 | EMC-HOLDER FEED | JC75-00055A | 1 | O | |
| 12-40 | CBF-HARNESS | JC39-00064A | 1 | O | |
| 12-41 | IRP-BRACKET FVSER DRV | JC70-00108A | 1 | O | |
| 13 | EL A UNIT-RX DRIVE | JC75-00085AA | 1 | O | |
| S-1 | SCREW-TAPTITE | * | 10 | | |
| S-2 | SCREW-TAPTITE | * | 2 | | |

SA : Service Avail

6-4 Fuser Assembly

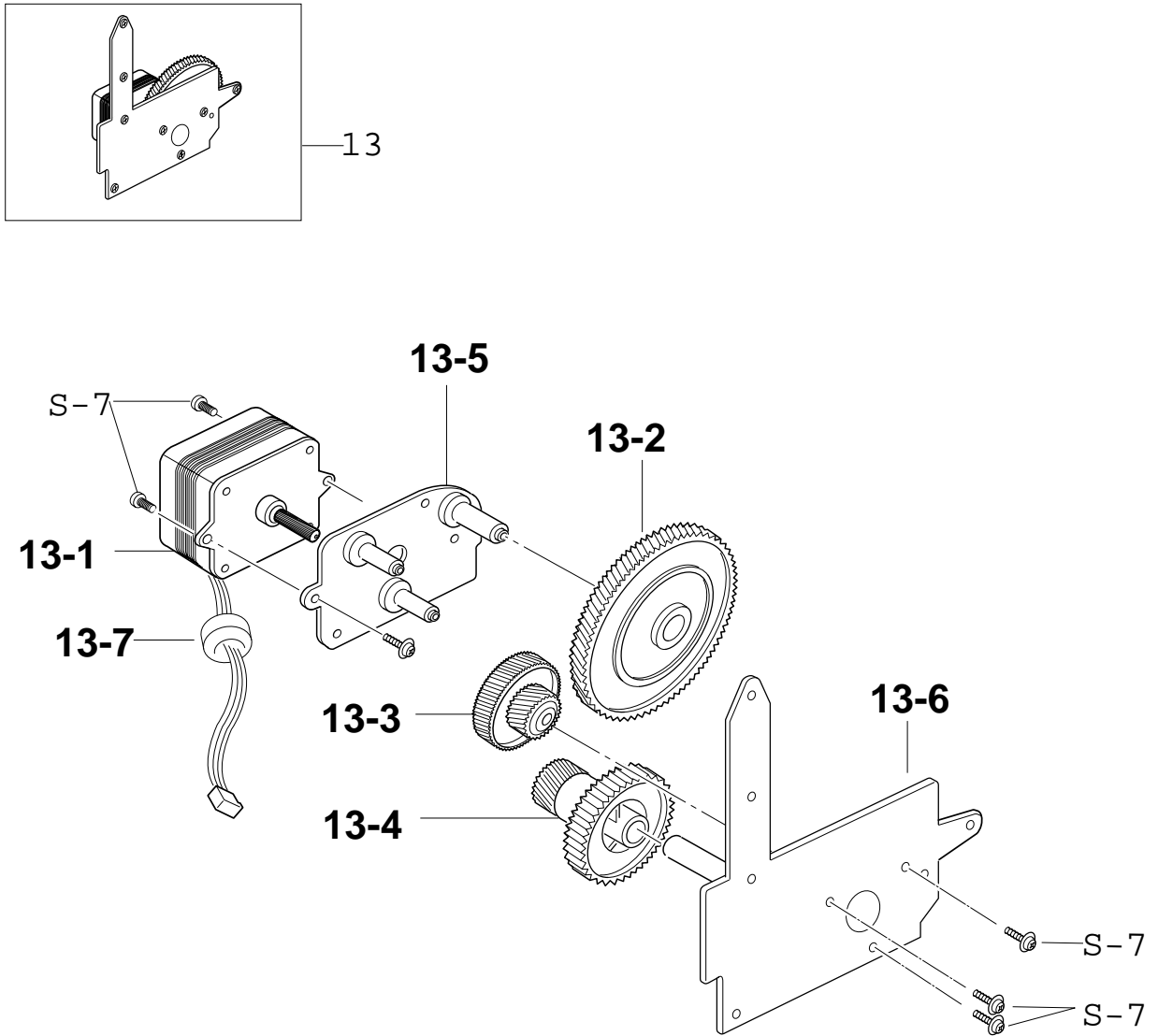


Fuser Assembly Parts Lists

| LOCATION NO | .Description | CODE NO. | Q'TY | SA | Remark |
|-------------|----------------------|-------------|------|----|----------|
| 12-27 | ELA HOU-FUSER ASS'Y | JC96-01618A | 1 | O | For 110V |
| | ELA HOU-FUSER ASS'Y | JC96-01632A | 1 | O | For 220V |
| 12-27-1 | THERMISTOR-NTC | 1404-001188 | 1 | O | |
| 12-27-2 | THERMOSTAT-150C | 4712-000001 | 1 | O | |
| 12-27-3 | LAMP-HALOGEN | 4713-001120 | 1 | O | For 110V |
| 12-27-3 | LAMP-HALOGEN | 4713-001121 | 1 | O | For 220V |
| 12-27-4 | PMO-FUSER_UPPER | * | 1 | | |
| 12-27-5 | PMO-BUSHING_HR,L | * | 1 | | |
| 12-27-6 | PMO-BUSHING_HR,R | * | 1 | | |
| 12-27-7 | PMO-COVER_THERMOSTAT | * | 1 | | |
| 12-27-8 | MEC-ROLLER HEAT | JC71-00004A | 1 | O | |
| 12-27-9 | IPR-ELECTRODE_PLATE | * | 1 | | |
| 12-27-10 | IPR-GROUND_FU | * | 1 | | |
| 12-27-11 | IPR-CLAW_SEPARATOR | * | 4 | | |
| 12-27-12 | ELECTRODE-WIRE,1 | * | 1 | | |
| 12-27-13 | ELECTRODE-WIRE,S | * | 1 | | |
| 12-27-14 | MEA ETC-SHAFT EXIT | * | 1 | | |
| 12-27-14-1 | PMO-SHAFT_EXIT(Z15) | * | 1 | | |
| 12-27-14-2 | RMO-RUBBER_EXIT | * | 4 | | |
| 12-27-15 | MEA ETC-ROLLER EXIT | * | 1 | | |
| 12-27-15-1 | MEC-ROLLER EXIT | JC75-00037A | 4 | O | |
| 12-27-15-2 | IPR-PIN ROLLER EXIT | * | 4 | | |
| 12-27-16 | SPRING-EXIT | * | 4 | | |
| 12-27-17 | PMO-GEAR_EXIT_DRV16 | * | 1 | | |
| 12-27-18 | PMO-GEAR_EXIT_IDLE | * | 1 | | |
| 12-27-19 | PMO-GEAR_FUSER,Z29 | * | 1 | | |
| 12-27-20 | LABEL HOT | * | 1 | | |
| 12-27-21 | CABLE-TIE | * | 1 | | |
| S-1 | SCREW TAPTITE | * | 5 | | |
| S-2 | SCREW TAPTITE | * | 1 | | |

SA : Service Avail

6-5 RX Drive Unit Assembly

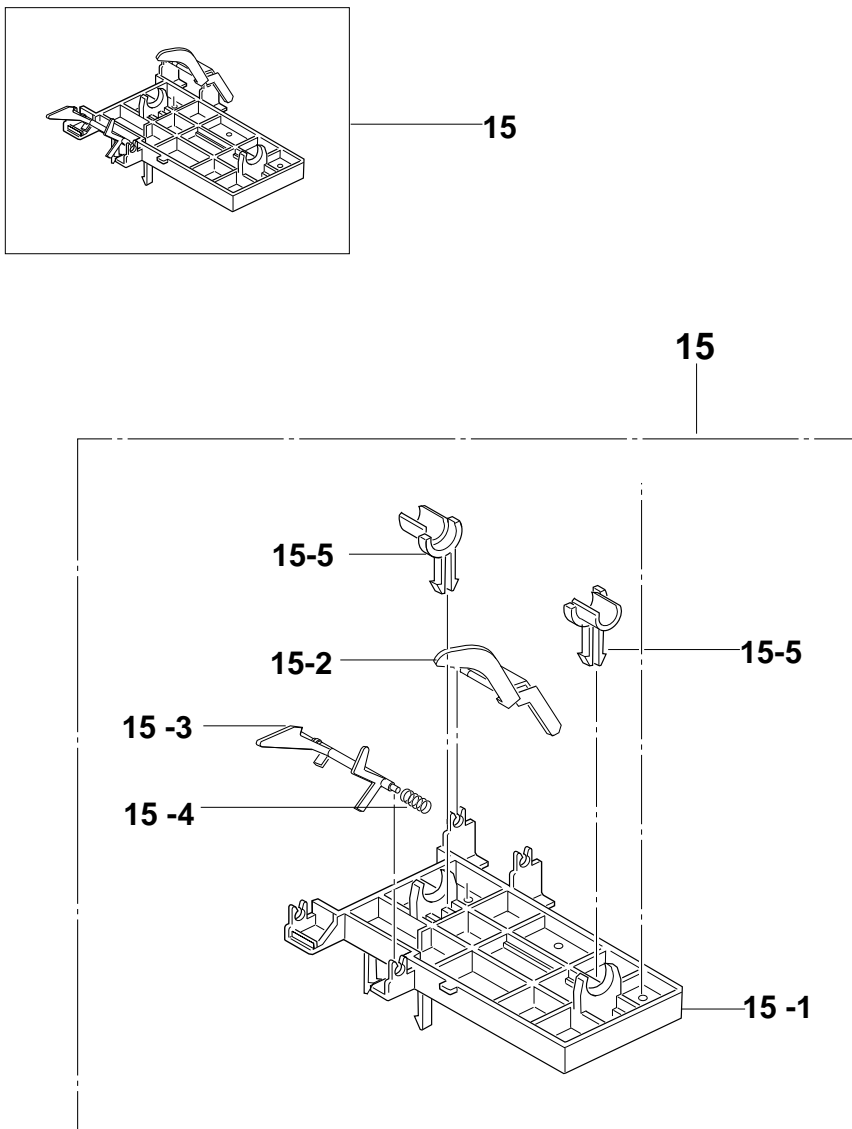


RX Drive Assembly Parts Lists

| LOCATION NO | .Description | CODE NO. | Q'TY | SA | Remark |
|-------------|-------------------|-------------|------|----|--------|
| 13 | ELA UNIT-RX DRIVE | JC75-00085A | 1 | O | |
| 13-1 | MOTOR-STEP | 3101-001201 | 1 | O | |
| 13-2 | PMO-GEAR_71/28 | * | 1 | | |
| 13-3 | PMO-GEAR_73/22 | * | 1 | | |
| 13-4 | PMO-GEAR_132/19 | * | 1 | | |
| 13-5 | IPR-BRACKET_MOTOR | * | 1 | | |
| 13-6 | IPR-BRACKET_GEAR | * | 1 | | |
| 13-7 | CORE-FERRITE | * | 1 | | |
| S-7 | SCREW-MACHINE | * | 5 | | |

SA : Service Avail

6-6 Holder Feed Unit Assembly



Holder Feed Unit Assembly Parts Lists

| LOCATION NO | .Description | CODE NO. | Q'TY | SA | Remark |
|-------------|--------------------|-------------|------|----|--------|
| 15 | MEC-HOLDER FEED | JC75-00055A | 1 | O | |
| 15-1 | PMO-HOLDER_FEED | * | 1 | | |
| 15-2 | PMO-ACTUATOR_EMPTY | * | 1 | | |
| 15-3 | PMO-ACTUATOR_FEED | * | 1 | | |
| 15-4 | SPRING-ACT,FEED | * | 1 | | |
| 15-5 | PMO-BUSHING_FEED | * | 2 | | |

SA : SVC Avail

6-7 Plate-Upper Unit Assembly

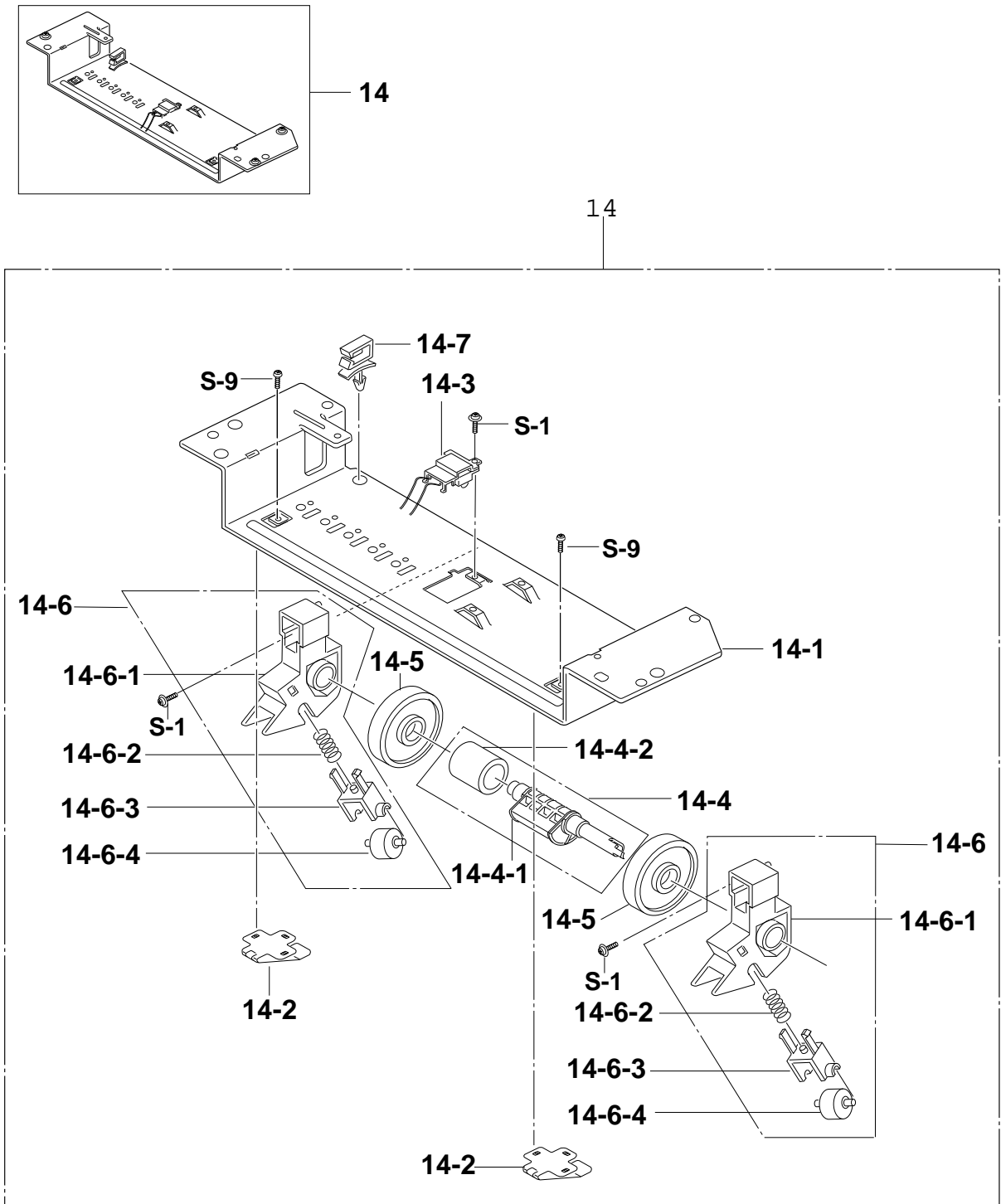
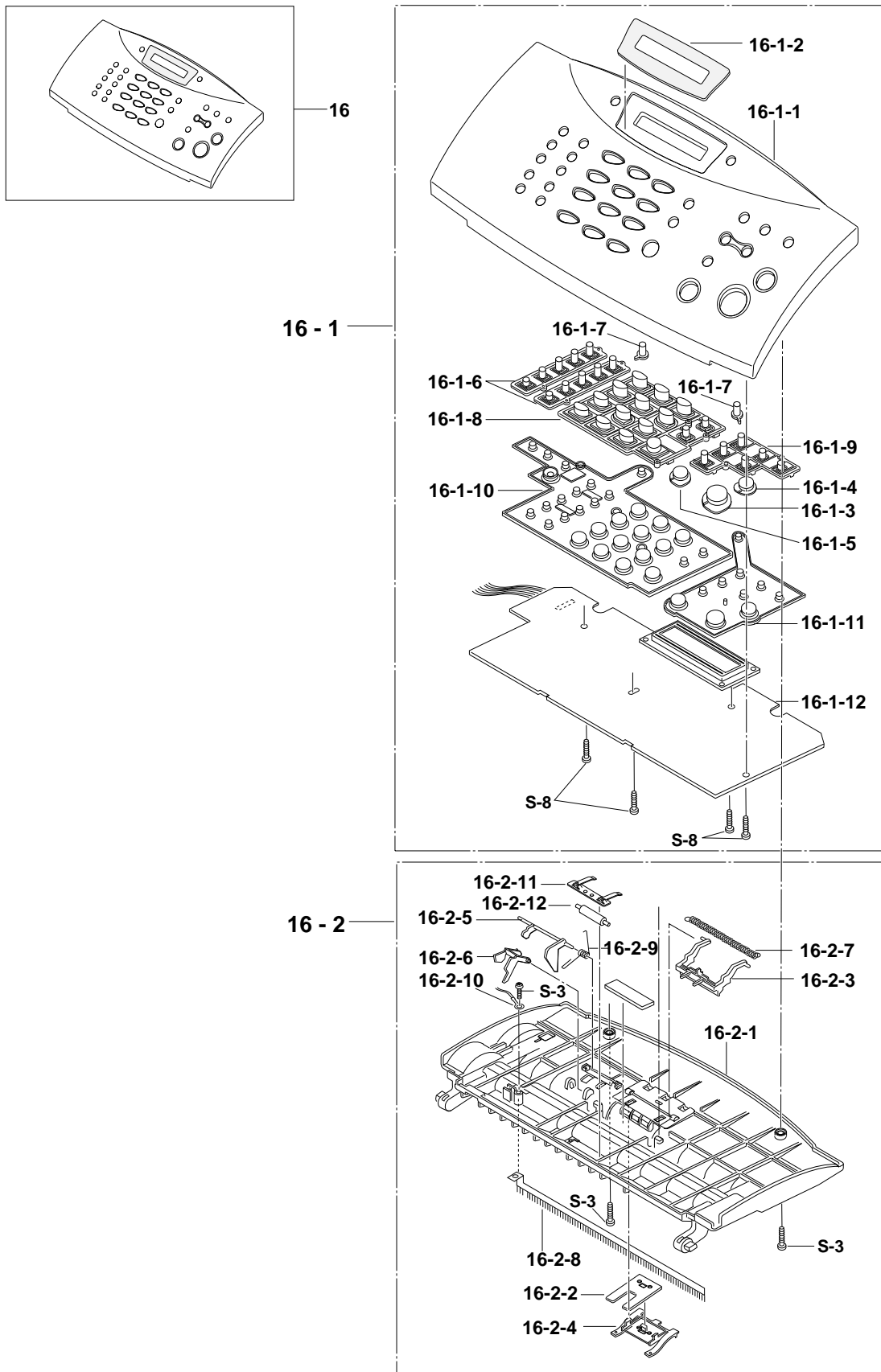


Plate-Upper Unit Assembly Parts Lists

| LOCATION NO | .Description | CODE NO. | Q'TY | SA | Remark |
|-------------|-----------------------|-------------|------|----|--------|
| 14 | MEC-PLATE-UPPER | JC75-00057A | 1 | O | |
| 14-1 | IPR-UPPER-PLATE | * | 1 | | |
| 14-2 | IPR-PLATE SPRING | JC70-10223A | 2 | O | |
| 14-3 | ELA UNIT-FUSE DEVE | JC96-01117A | 1 | O | |
| | CBF-HARNESS-2P | * | 1 | | |
| | IPR-PLATE FUSE DEVE | * | 2 | | |
| | PMO-CAP PLATE FU L | * | 1 | | |
| | PMO-CAP PLATE FU U | * | 1 | | |
| 14-4 | MEA ETC-ROLLER PICKUP | * | 1 | | |
| 14-4-1 | PMO-HOUSING_PICKUP | * | 1 | | |
| 14-4-2 | RMO-ROLLER_PICKUP | JC73-00018A | | | |
| 14-5 | PMO-IDLE_PICKUP | * | 2 | | |
| 14-6 | MEA ETC-IDLE FEED | * | 2 | | |
| 14-6-1 | PMO-HOLDER_PICKUP | * | 1 | | |
| 14-6-2 | SPRING-FEED | * | 1 | | |
| 14-6-3 | PMO-HOLDER_IDLE,FEED | * | 1 | | |
| 14-6-4 | IPR-ROLLER_IDLE,FEED | * | 1 | | |
| 14-7 | CABLE CLAMP | * | 1 | | |
| S-1 | SCREW TAPTITE | * | 3 | | |
| S-9 | SCREW TAPTITE | * | 2 | | |

SA : Service Avail

6-8 OPE Unit Assembly

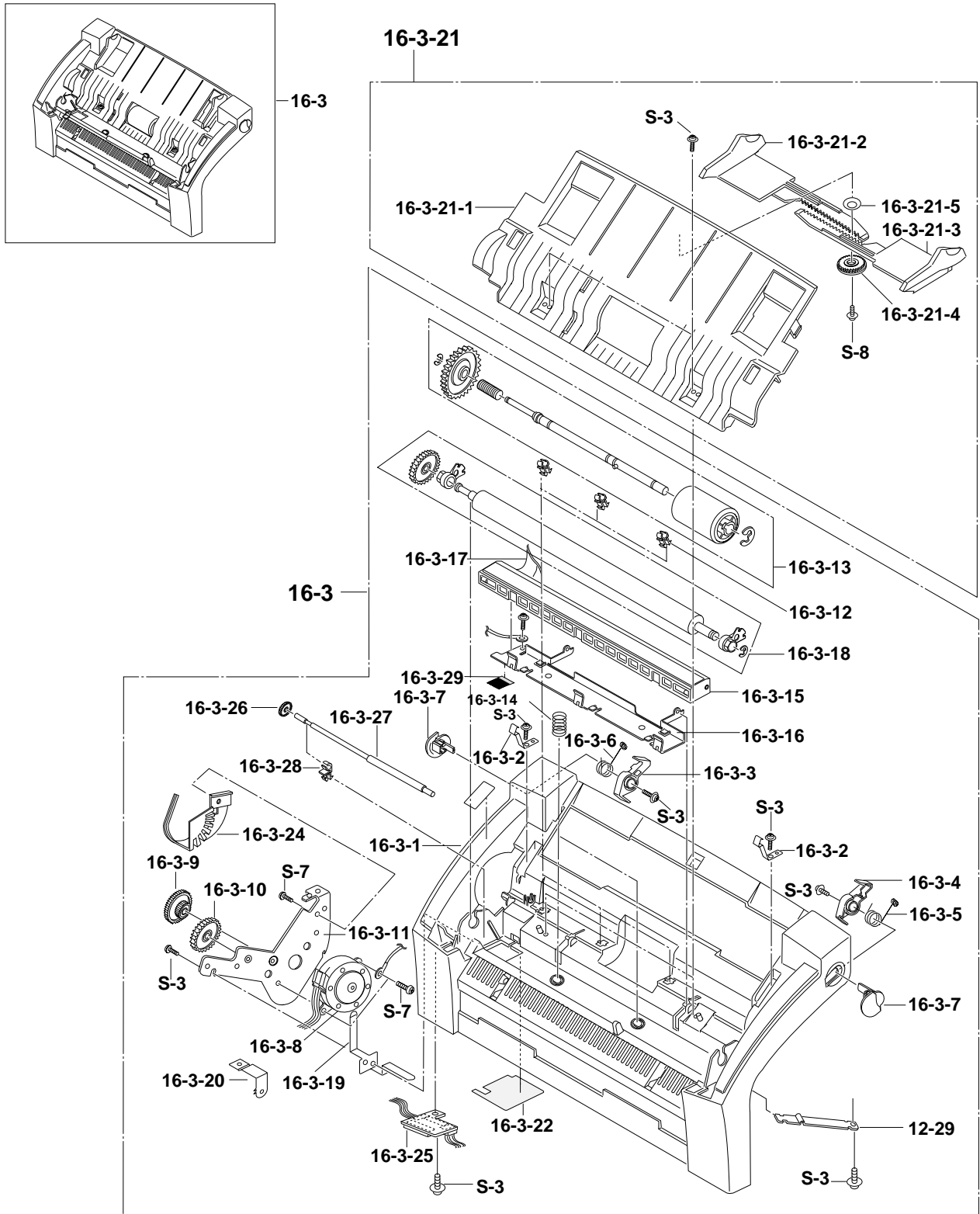


OPE Unit Assembly Parts Lists

| LOCATION NO | | .Description | CODE NO. | Q'TY | S/A | Remark |
|-------------|---------|--------------------------|-----------------------|------|-----|--------|
| 16 | | ELA HOU OPE-FRONT | refer the information | 1 | O | |
| | 16-1 | ELA HOU OPE ASSY | * | 1 | | |
| | 16-1-1 | PMO-COVER OPE | * | 1 | | |
| | 16-1-2 | PPR-WINDOW_LCD | * | 1 | | |
| | 16-1-3 | KEY-START | * | 1 | | |
| | 16-1-4 | KEY-COPY | JB72-00102A | 1 | O | |
| | 16-1-5 | KEY-STOP | JB72-00108A | 1 | O | |
| | 16-1-6 | KEY-ONE TOUCH | JC72-00409A | 2 | O | |
| | 16-1-7 | KEY-RESOLUTION | * | 2 | | |
| | 16-1-8 | KEY-TEL | JB72-00100A | 1 | O | |
| | 16-1-9 | KEY-FUNCTION | JC72-00410A | 1 | O | |
| | 16-1-10 | RPR-CONTACT-RUBBER(A) | * | 1 | | |
| | 16-1-11 | RPR-CONTACT-RUBBER(B) | * | 1 | | |
| | 16-1-12 | PBA-MAIN OPE | JC92-01156A | 1 | | |
| | S-8 | SCREW-TAPTITE | * | 4 | | |
| | 16-2 | ELA HOU SCAN UPPER | * | 1 | | |
| | 16-2-1 | PMO-SCAN UPPER FRAME | * | 1 | | |
| | 16-2-2 | RUBBER-ADF | JC73-00032A | 1 | O | |
| | 16-2-3 | SUPPORT-ADF | JG72-40043A | 1 | O | |
| | 16-2-4 | HOLDER-RUBBER | JG72-40044A | 1 | O | |
| | 16-2-5 | LEVER-SENSOR DOC | JB72-41247A | 1 | O | |
| | 16-2-6 | LEVER-SENSOR SCN | * | 1 | | |
| | 16-2-7 | SPRING-COIL | JG70-40514A | 1 | O | |
| | 16-2-8 | ANTISTATIC-BRUSH | JB75-00051A | 1 | O | |
| | 16-2-9 | SPRING-SENSOR | * | 1 | | |
| | 16-2-10 | CBF-HARNESS SCAN GND | * | 1 | | |
| | 16-2-11 | IRP-PLATE PINCH ROLL | * | 1 | | |
| | 16-2-12 | PMO-ROLLER PINCH STACKER | * | 1 | | |
| | S-3 | SCREW-TAPTITE | * | 1 | | |

SA : Service Avail

OPE Unit Assembly

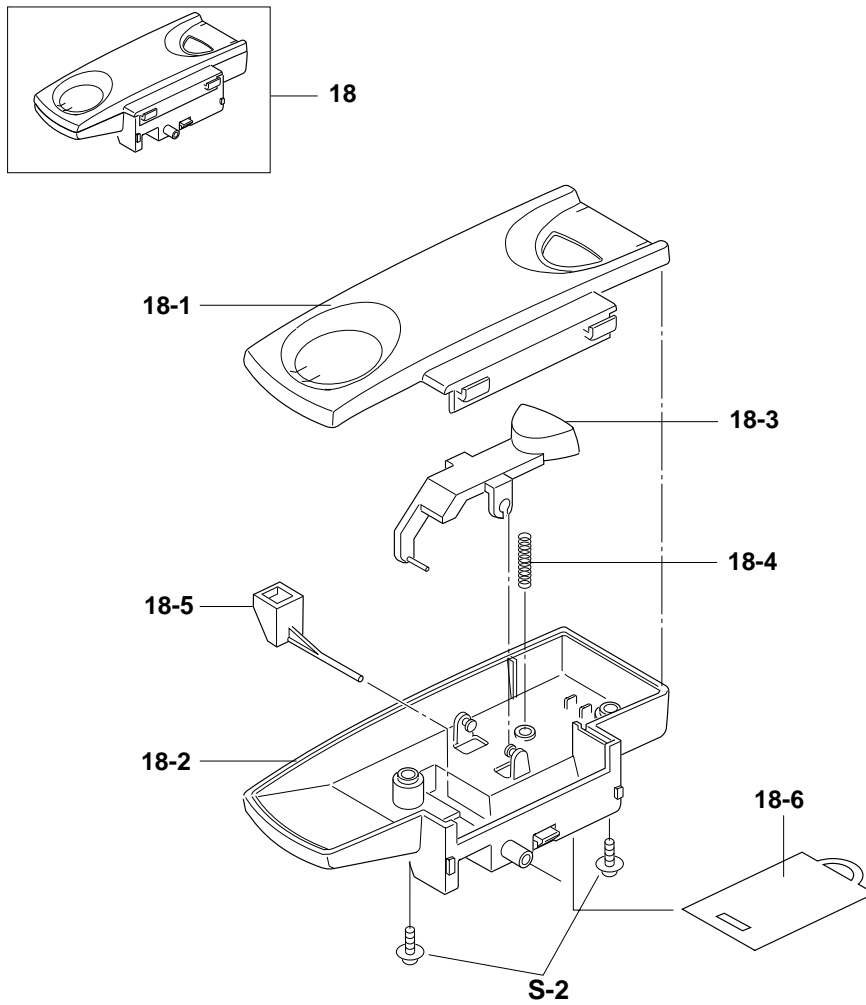


OPE Unit Assembly Parts Lists

| LOCATION NO | .Description | CODE NO. | Q'TY | SA | Remark |
|-------------|---------------------------|--------------|------|----|--------|
| 16-3 | ELA HOU FRONT ASSY | JC96- 01685R | 1 | | |
| 12-29 | STOPPER-EXIT | JC72-41396B | 1 | O | |
| 16-3-1 | PMO-SCAN FRONT FRAME | * | 1 | | |
| 16-3-2 | LOCKER-TX | JG64-30001A | 2 | O | |
| 16-3-3 | PMO-OPEN LOCKER L | JC72-00140A | 1 | | |
| 16-3-4 | PMO-OPEN LOCKER R | JC72-00101A | 1 | | |
| 16-3-5 | SPRING-LOCKER R | * | 1 | | |
| 16-3-6 | SPRING-LOCKER L | * | 1 | | |
| 16-3-7 | OPEN-BUTTON | * | 2 | | |
| 16-3-8 | SCAN MOTOR | 3101-001203 | 1 | O | |
| 16-3-9 | PMO-GEAR_73/21/13 | * | 1 | | |
| 16-3-10 | PMO-GEAR_IDLER-50 | * | 1 | | |
| 16-3-11 | IPR-BRACKET_SCAN(0.85V) | * | 1 | | |
| 16-3-12 | PMO-BUSHING SHAFT | * | 3 | | |
| 16-3-13 | ELA HOU-ROLLER ADF | JC75-00038A | 1 | | |
| 16-3-14 | SPRING CIS | * | 2 | | |
| 16-3-15 | CONTACT IMAGE SENSOR | 0609-001127 | 1 | O | |
| 16-3-16 | IPR-GUIDE_CIS | * | 1 | | |
| 16-3-17 | CBF HARNESS-SCAN/CIS(200) | JC39-00062A | 1 | O | |
| 16-3-18 | MEA ETC-ROLLER WHITE | * | 1 | | |
| 16-3-19 | IPR-PLATE_GROUND | * | 1 | | |
| 16-3-20 | IPR-PLATE_GROUND A | * | 1 | | |
| 16-3-21 | ELA ETC GUIDE PAPER | * | 1 | | |
| 16-3-21-1 | PMO-GUIDE PAPER | * | 1 | | |
| 16-3-21-2 | PMO-GUIDE DOC L | * | 1 | | |
| 16-3-21-3 | PMO-GUIDE DOC R | * | 1 | | |
| 16-3-21-4 | PMO-GEAR PINION | JG66-40003A | 1 | O | |
| 16-3-21-5 | SPRING-COVER | JF70-10616A | 1 | O | |
| 16-3-22 | PPR-COVER SCAN | * | 1 | | |
| 16-3-23 | LABEL-CLEANING | * | 1 | | |
| 16-3-24 | PMO-COVER-GEAR | * | 1 | | |
| 16-3-25 | PBA-SCAN | JC92-01212A | 1 | | |
| 16-3-26 | GEAR SEACKER(Z20) | * | 1 | | |
| 16-3-27 | EMC-ROLLER STACKER | * | 1 | | |
| 16-3-28 | PMO-BUSHING SHAFT(EXIT) | * | 1 | | |
| 16-3-29 | EMC-BRUSH SHAFT | * | 1 | | |
| S-3 | SCREW TAPTITE | * | 10 | | |
| S-7 | SCREW MACHINE | * | 3 | | |
| S-8 | SCREW TAPTITE | * | 1 | | |
| S-7 | SCREW-TAPTITE | * | 2 | | |

SA : Service Avail

6-9 Cradle Unit Assembly

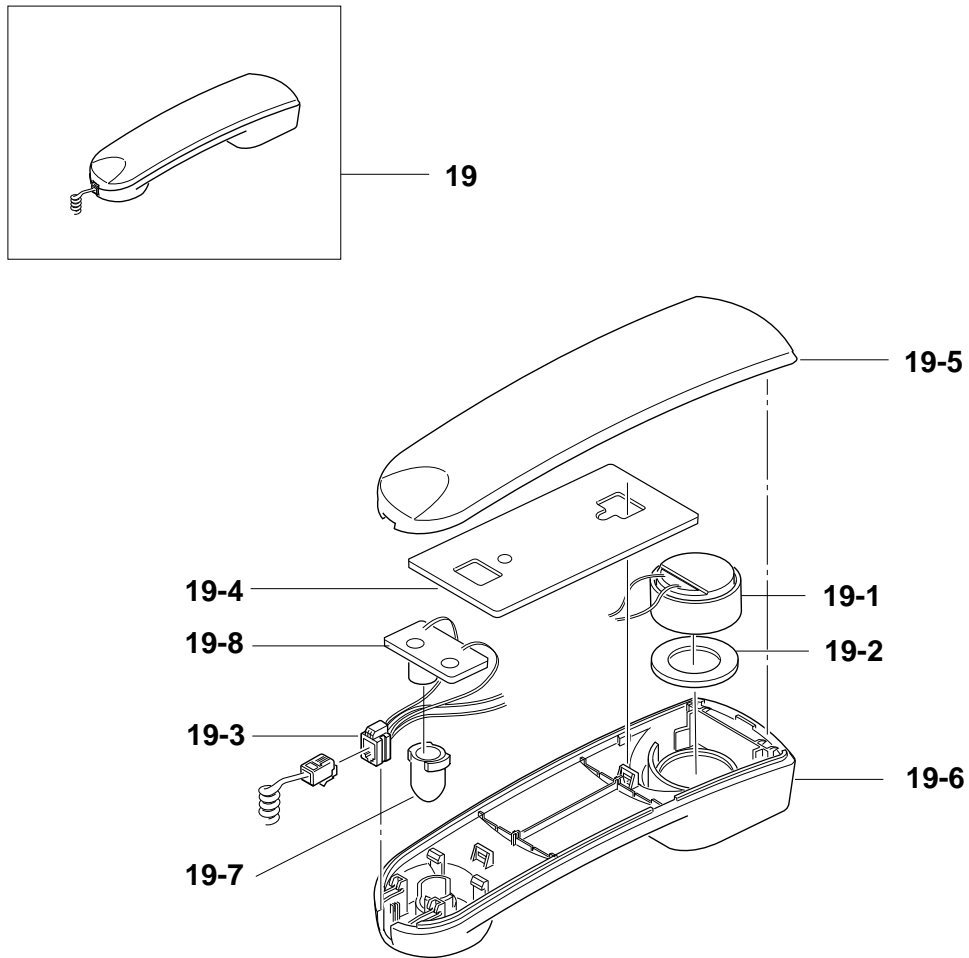


Cradle Unit Assembly Parts Lists

| LOCATION NO | .Description | CODE NO. | Q'TY | SA | Remark |
|-------------|------------------|-------------|------|----|--------|
| 18 | MEC-CRADLE | JC75-00083A | 1 | O | |
| 18-1 | PMO-CRADLE UPPER | * | 1 | | |
| 18-2 | PMO-CRADLE LOWER | * | 1 | | |
| 18-3 | PMO-BUTTON HOOK | * | 1 | | |
| 18-4 | SPRING-HOOK | * | 1 | | |
| 18-5 | PMO-SLIDE HOOK | * | 1 | | |
| 18-6 | SHEET-ONETOUCH | JC72-00439A | 1 | O | |
| S-2 | SCREW-TAPTITE | * | 2 | | |

SA : Service Avail

6-10 Handset Assembly

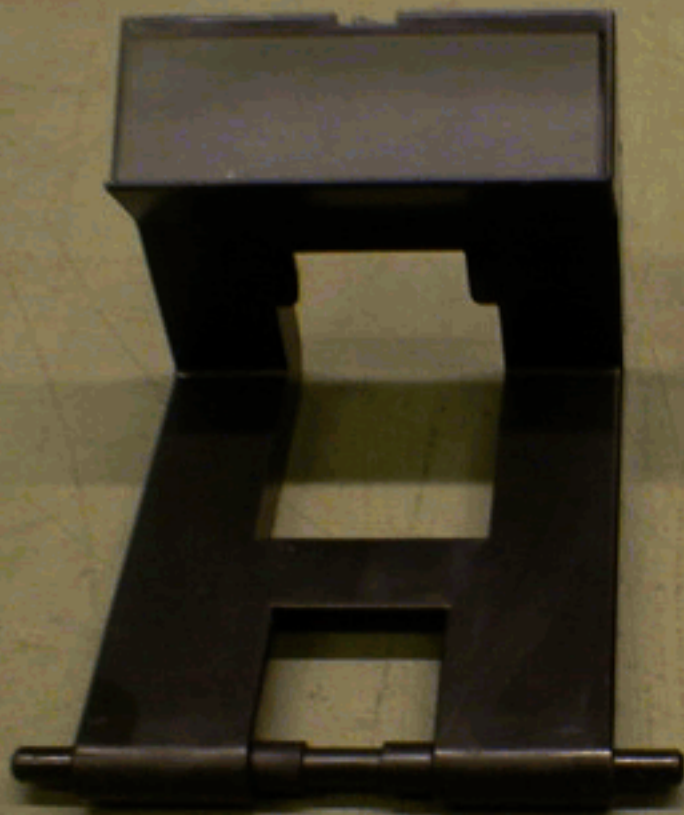


Handset Assembly Parts Lists

| LOCATION NO | .Description | CODE NO. | Q'TY | SA | Remark |
|-------------|----------------------------|-------------|------|----|--------|
| 19 | HANDSET | JC96-01629A | 1 | O | |
| 19-1 | AUDIO-RECEIVER | * | 1 | | |
| 19-2 | RING-OP | * | 1 | | |
| 19-3 | CBF HARNESS-HADSET MODULAR | * | 1 | | |
| 19-4 | IPR-WEIGHT BALANCE | * | 1 | | |
| 19-5 | PMO-HANDSET UPPER | * | 1 | | |
| 19-6 | PMO-HANDSET LOWER | * | 1 | | |
| 19-7 | RMO-RUBBER MIC | * | 1 | | |
| 19-8 | PBA SUB ETC-MIC | * | 1 | | |

SA : Service Avail

JC75-00052A



JC75-00093A

