

Model AP-P1		G133	Aficio SP C811DN
-------------	--	------	------------------

Model AP-P1d (G133)

PARTS CATALOG

Model AP-P1d (G133)

PARTS CATALOG

This catalog gives the numbers and names of parts on this machine.

Model AP-P1d	(G133)
Tray Unit TK3000	(G832)

Model AP-P1d (G133)

Model AP-P1d (G133)

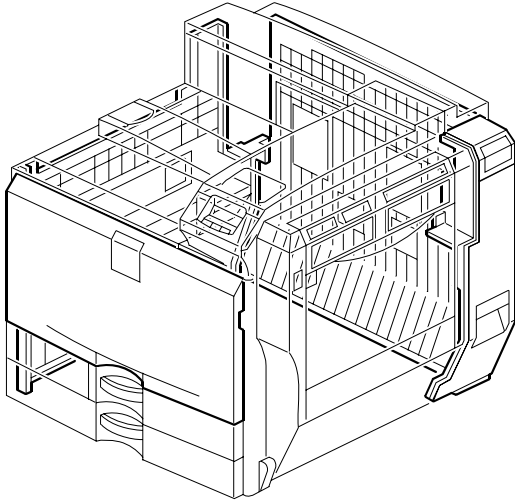
PARTS CATALOG

This catalog gives the numbers and names of parts on this machine.

.Location of unit	2	22.Duplex Unit 4 (G133).....	52
1.Exterior 1 (G133).....	10	23.Duplex Unit 5 (G133).....	54
2.Exterior 2 (G133).....	12	24.Electrical Section 1 (G133).....	56
3.Exterior 3 (G133).....	14	25.Electrical Section 2 (G133).....	58
4.LD unit (G133).....	16	26.Electrical Section 3 (G133).....	60
5.1st Paper Tray (G133).....	18	27.Electrical Section 4 (G133).....	62
6.2nd Paper Tray (G133)	20	28.Electrical Section 5 (G133).....	64
7.Paper Feed Section (G133)	22	29.Drive Section 1 (G133)	66
8.Paper Registration (G133)	24	30.Drive Section 2 (G133)	68
9.By-pass Feed Section 1 (G133).....	26	31.Drive Section 3 (G133)	70
10.By-pass Feed Section 2 (G133).....	28	32.Drive Section 4 (G133)	72
11.Toner Supply Unit 1 (G133)	30	33.Drive Section 5 (G133)	74
12.Toner Supply Unit 2 (G133)	32	34.Frame Section 1 (G133)	76
13.Paper Separation (G133)	34	35.Frame Section 2 (G133)	78
14.Fusing unit 1 (G133).....	36	36.Frame Section 3 (G133)	80
15.Fusing unit 2 (G133).....	38	37.Frame Section 4 (G133)	82
16.Fusing unit 3 (G133).....	40	38.Accessories (G133)	84
17.Paper Exit Section 1 (G133)	42	39.IOB Board (G133).....	86
18.Paper Exit Section 2 (G133)	44	40.EGB Board (G133)	96
19.Duplex Unit 1 (G133).....	46	41.CTRL Board (G133)	104
20.Duplex Unit 2 (G133).....	48	42.Decal And Documents (G133).....	126
21.Duplex Unit 3 (G133).....	50	Parts Index	129

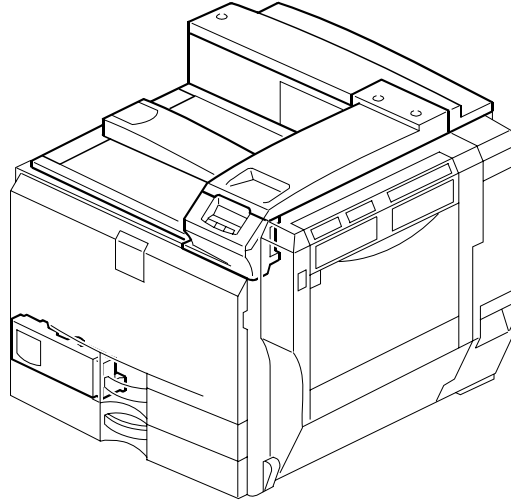
LOCATIONS OF UNITS

1. Exterior 1 (G133)



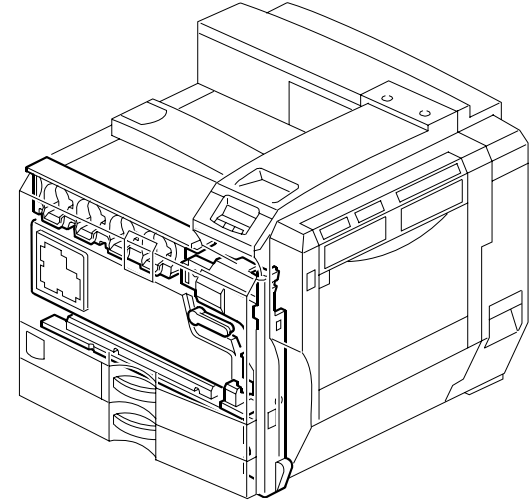
See Page 11

2. Exterior 2 (G133)



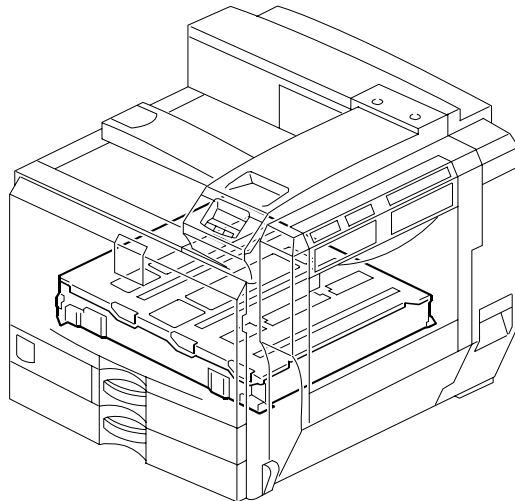
See Page 13

3. Exterior 3 (G133)



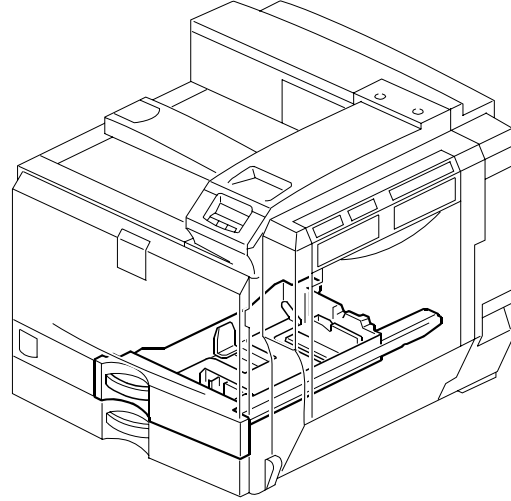
See Page 15

4. LD unit (G133)



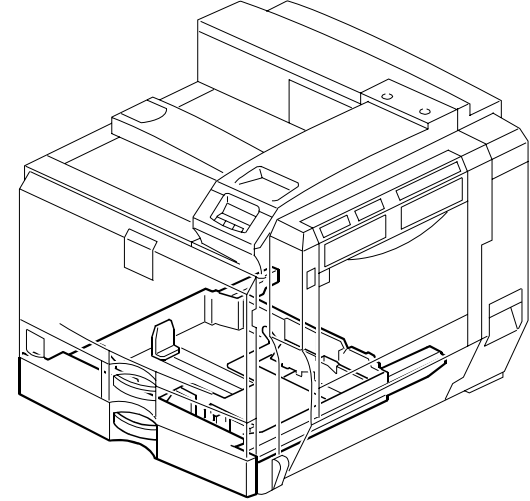
See Page 17

5. 1st Paper Tray (G133)



See Page 19

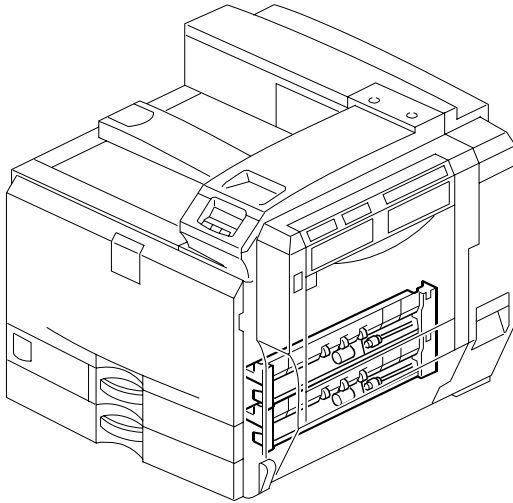
6. 2nd Paper Tray (G133)



See Page 21

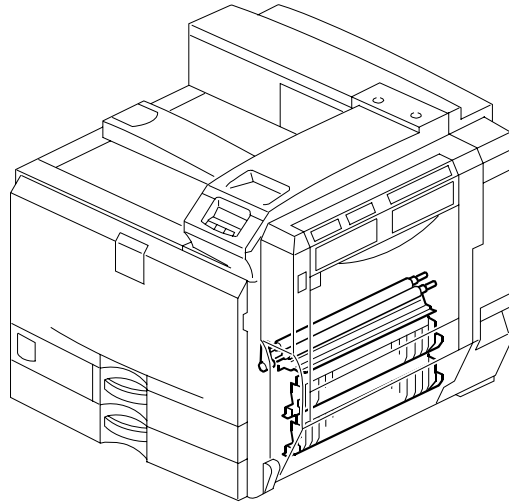
LOCATIONS OF UNITS

7. Paper Feed Section (G133)



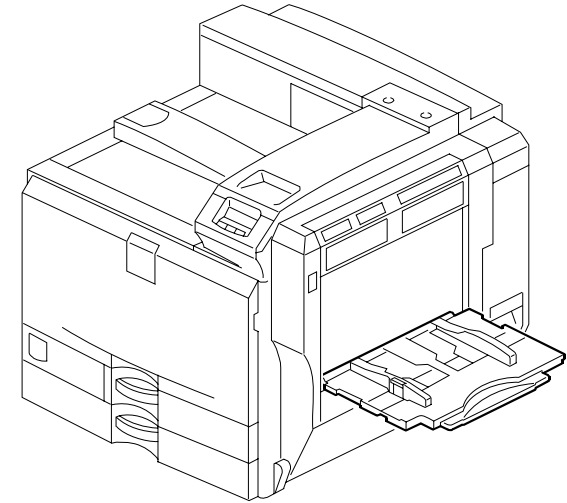
See Page 23

8. Paper Registration (G133)



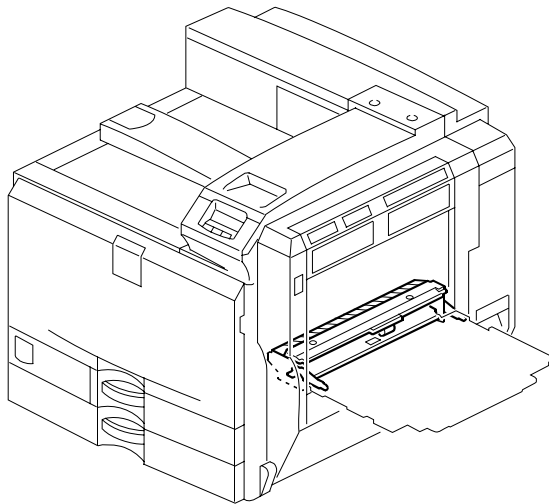
See Page 25

9. By-pass Feed Section 1 (G133)



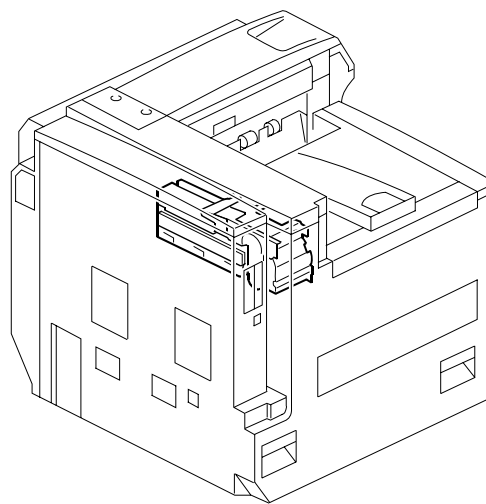
See Page 27

10. By-pass Feed Section 2 (G133)



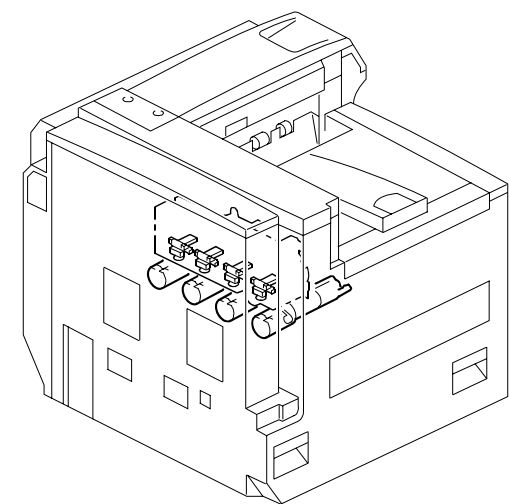
See Page 29

11. Toner Supply Unit 1 (G133)



See Page 31

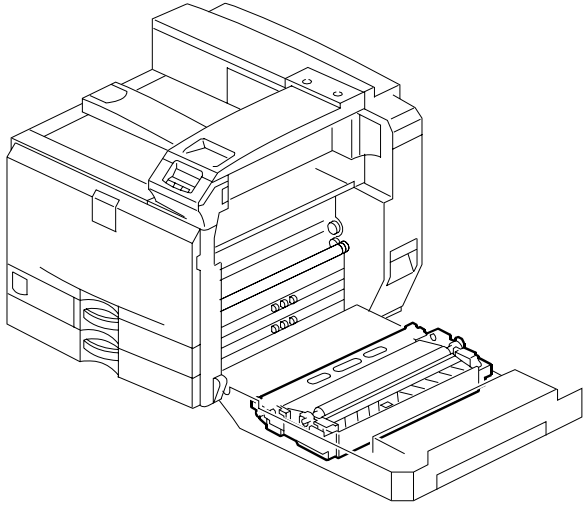
12. Toner Supply Unit 2 (G133)



See Page 33

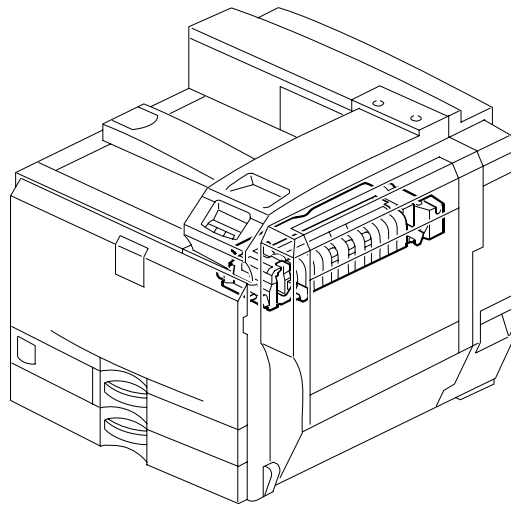
LOCATIONS OF UNITS

13. Paper Separation (G133)



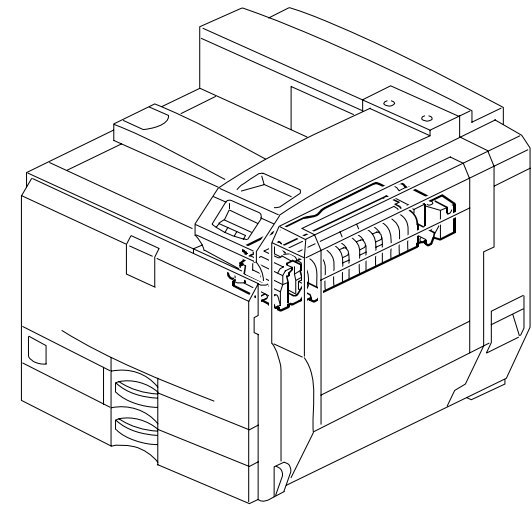
See Page 35

14. Fusing unit 1 (G133)



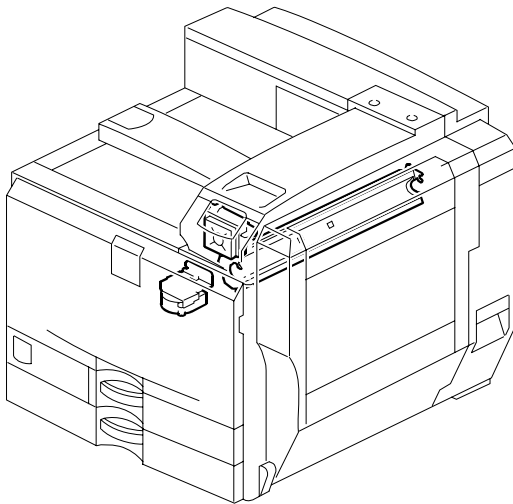
See Page 37

15. Fusing unit 2 (G133)



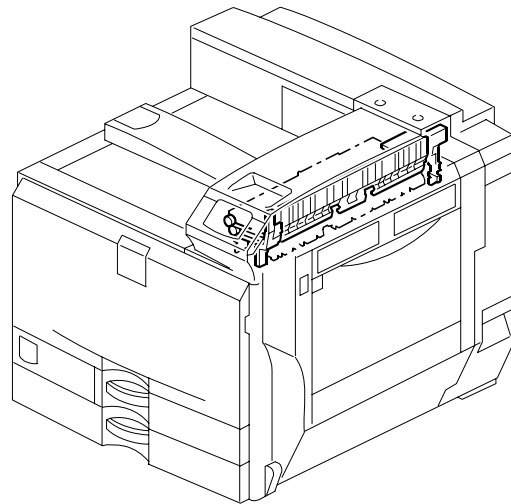
See Page 39

16. Fusing unit 3 (G133)



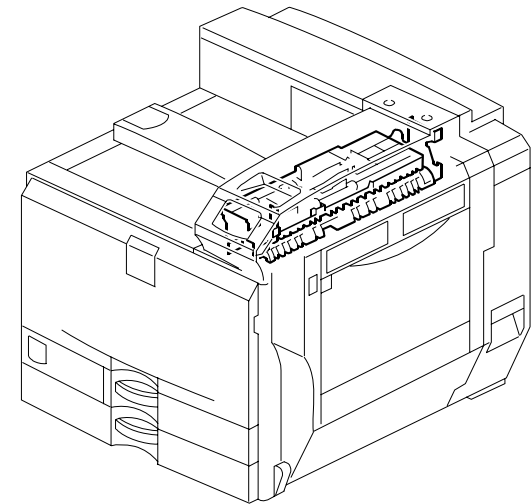
See Page 41

17. Paper Exit Section 1 (G133)



See Page 43

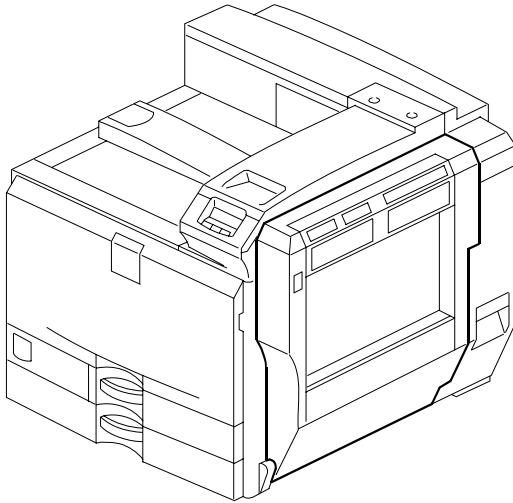
18. Paper Exit Section 2 (G133)



See Page 45

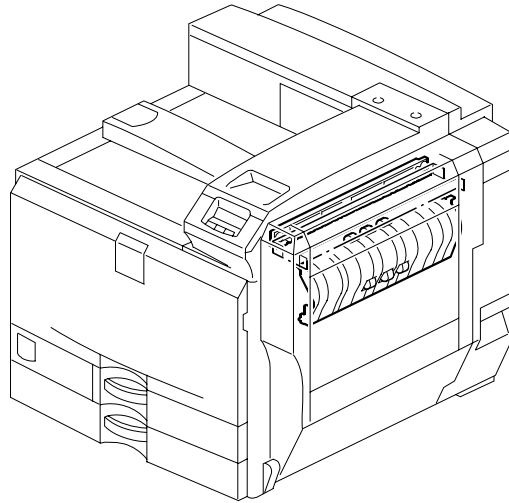
LOCATIONS OF UNITS

19. Duplex Unit 1 (G133)



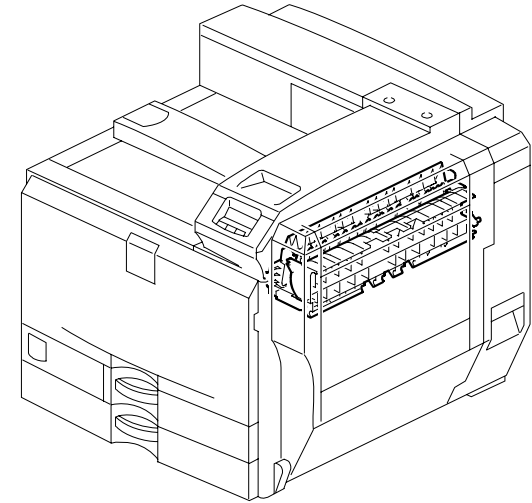
See Page 47

20. Duplex Unit 2 (G133)



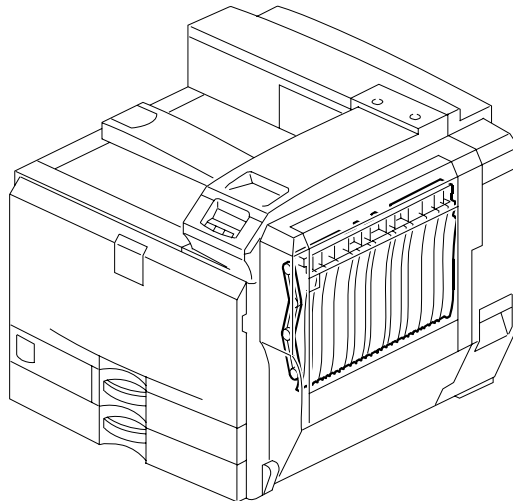
See Page 49

21. Duplex Unit 3 (G133)



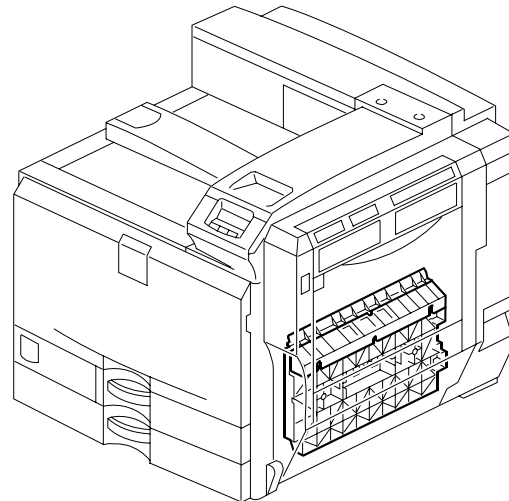
See Page 51

22. Duplex Unit 4 (G133)



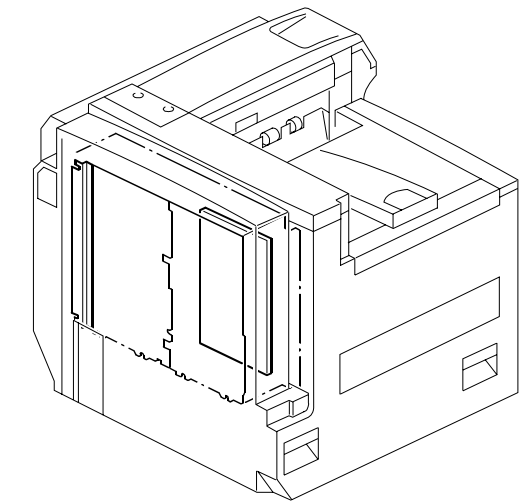
See Page 53

23. Duplex Unit 5 (G133)



See Page 55

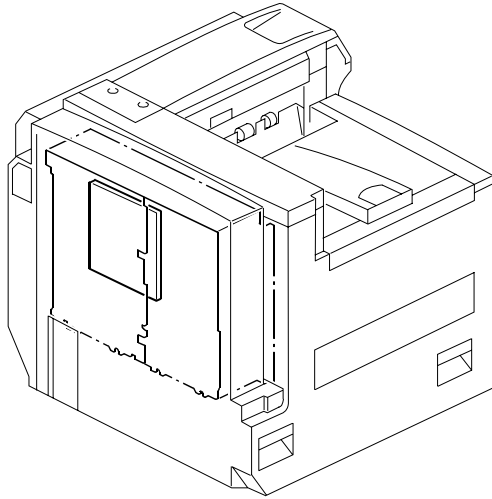
24. Electrical Section 1 (G133)



See Page 57

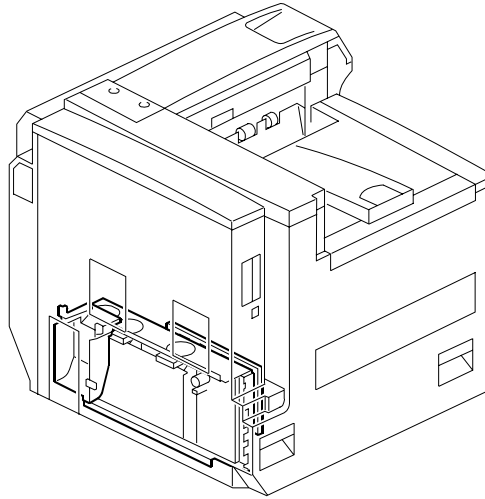
LOCATIONS OF UNITS

25. Electrical Section 2 (G133)



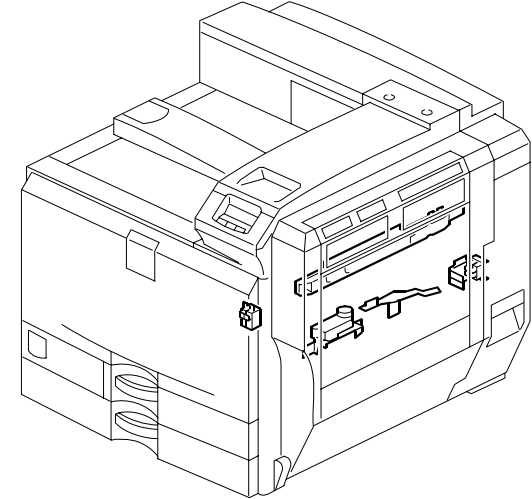
See Page 59

26. Electrical Section 3 (G133)



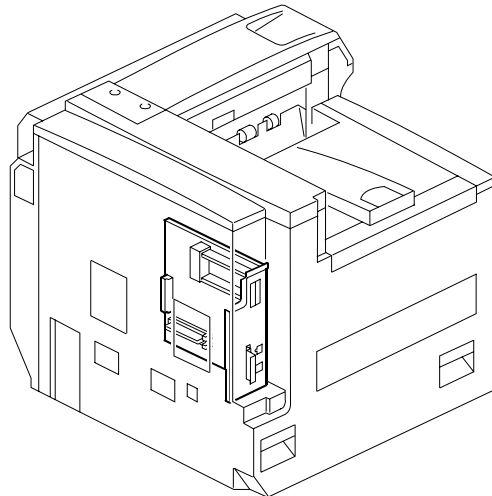
See Page 61

27. Electrical Section 4 (G133)



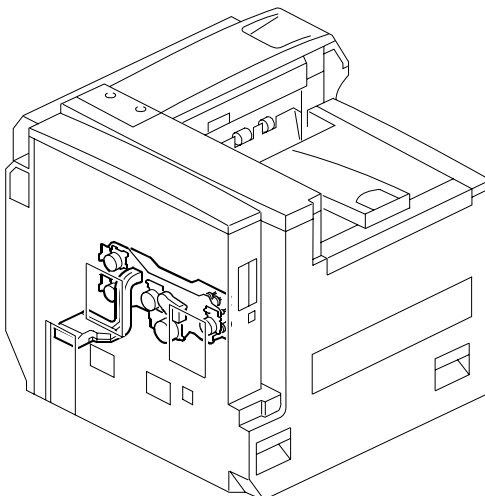
See Page 63

28. Electrical Section 5 (G133)



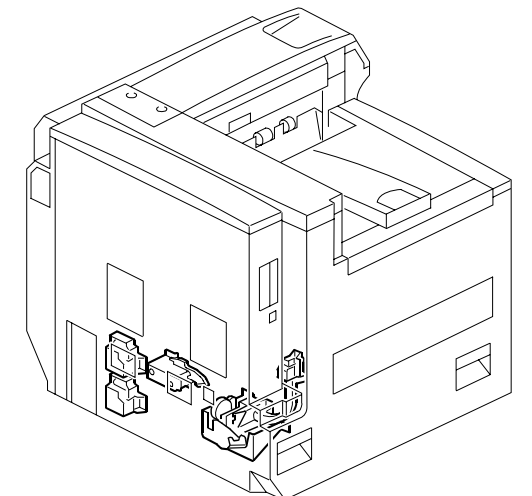
See Page 65

29. Drive Section 1 (G133)



See Page 67

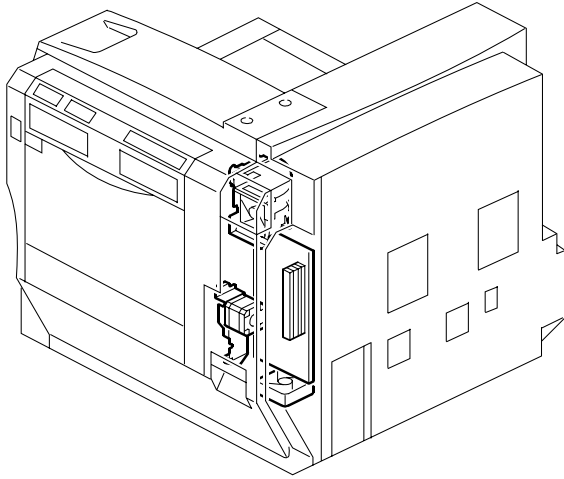
30. Drive Section 2 (G133)



See Page 69

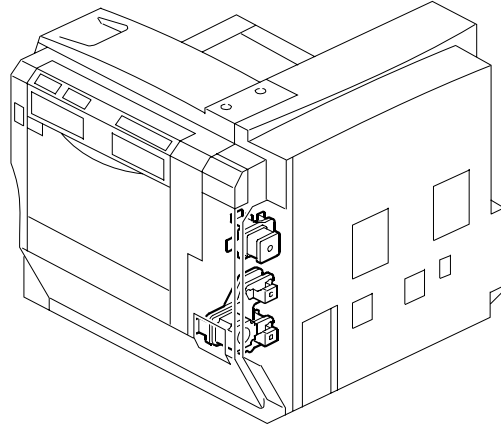
LOCATIONS OF UNITS

31. Drive Section 3 (G133)



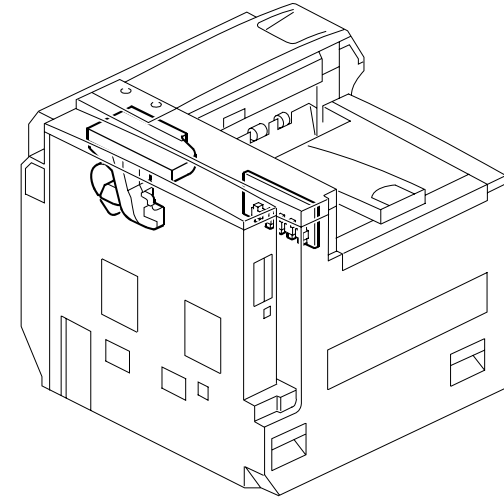
See Page 71

32. Drive Section 4 (G133)



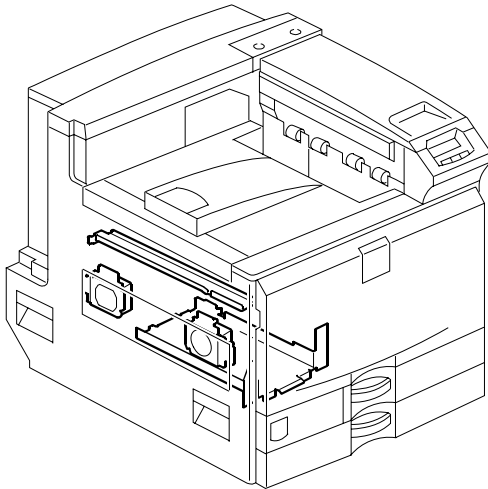
See Page 73

33. Drive Section 5 (G133)



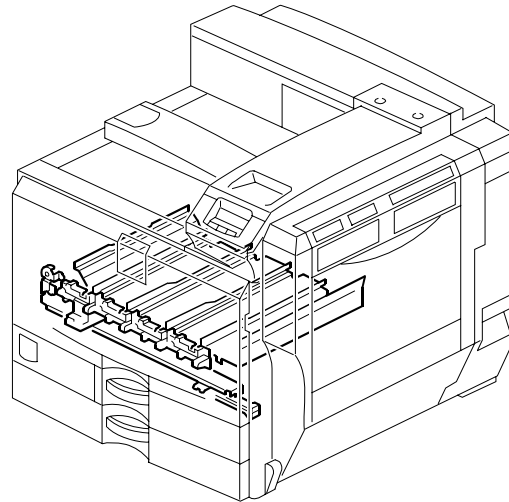
See Page 75

34. Frame Section 1 (G133)



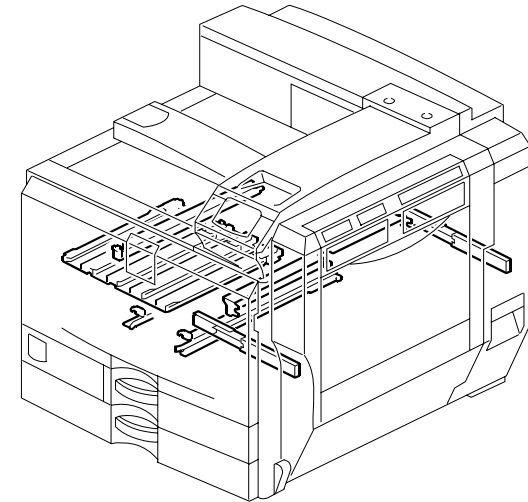
See Page 77

35. Frame Section 2 (G133)



See Page 79

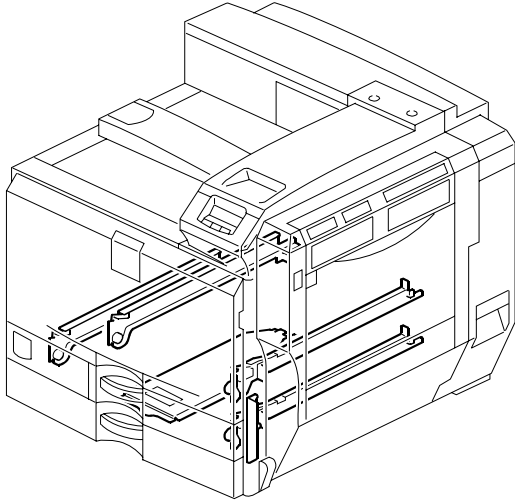
36. Frame Section 3 (G133)



See Page 81

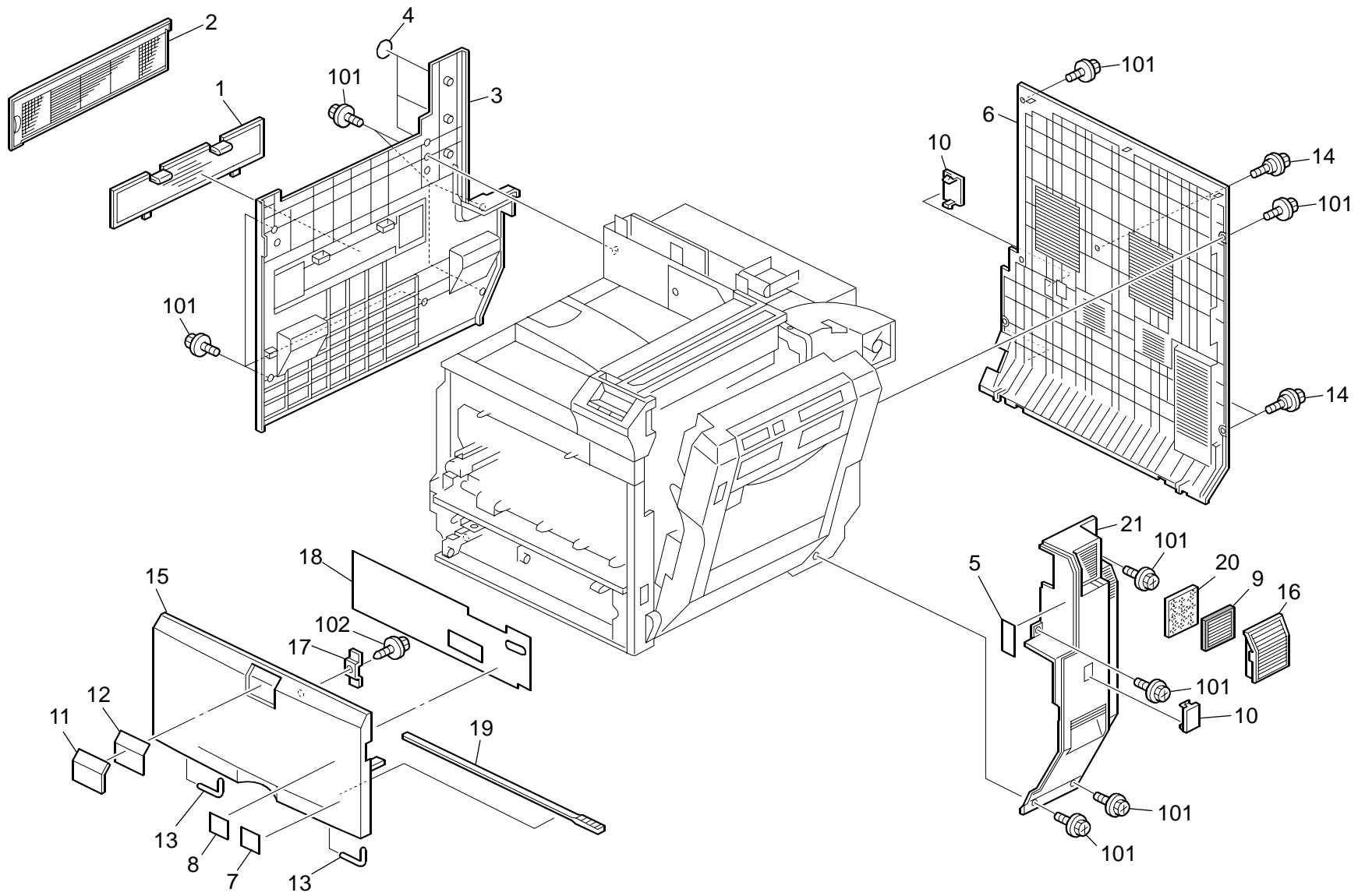
LOCATIONS OF UNITS

37. Frame Section 4 (G133)



See Page 83

1.Exterior 1 (G133)

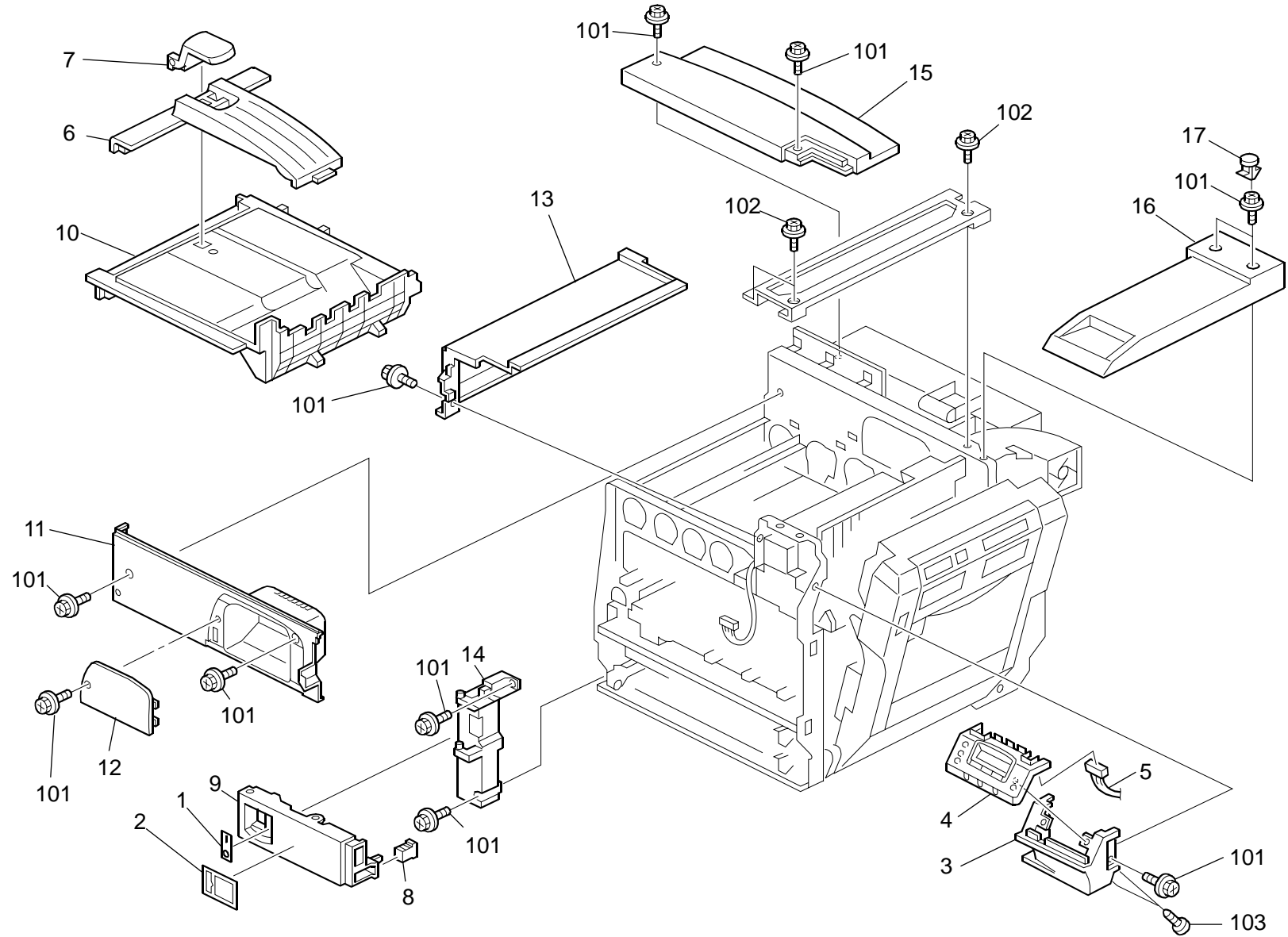


1.Exterior 1 (G133)

Index No.	Part No.	Description	Q'ty Per Assembly
1	G133 1283	Cover:Left:Middle:P	1
2	G133 1280	Cover:Left:Middle:Filter:Ass'y	1
3	B223 1281	Cover:Left	1
3	B222 1281	Cover:Left:EU	1
4	G133 1285	Decal:Cover:Left:Guide Plate	3
5	B223 4392	Decal:Set:Fusing Unit	1
6	B223 1291	Cover:Rear	1
6	B222 1291	Cover:Rear:EU	1
7	GA00 3144	Decal:PDF Direct	1
8	GA00 3175	Decal:PS3:Clear	1
9	G133 1295	Ozone Filter:No.1	1
10	B223 1293	Cap:Cover:Rear	2
11	B223 1253	Emblem Cover	1
12	G133 8331	Sheet:Emblem:RIC	1
12	G133 8332	Sheet:Emblem:SVN	1
12	G133 8333	Sheet:Emblem:GES:NA	1
12	G133 8334	Sheet:Emblem:LAN:NA	1
12	G133 8335	Sheet:Emblem:INF	1
12	G133 8336	Sheet:Emblem:NSA	1
12	G133 8337	Sheet:Emblem:REX	1
12	G133 8338	Sheet:Emblem:GES	1
12	G133 8339	Sheet:Emblem:LAN:EU	1
13	G020 1332	Hinge - Front Cover	2
14	AA14 3823	Tapping Screw	4
15	B224 1251	Cover:Front:EU	1
16	B223 1274	Cover:Right Rear:Fan	1
17	B024 1264	Magnet Catch	1
18	G133 1256	Sheet:Misfeed Removal:P1	1
19	B223 1279	Cleaner:Shield Glass:Ass'y	1
20	B223 1276	Filter:Right Rear	1
21	B223 1272	Cover:Right:Rear	1

Index No.	Part No.	Description	Q'ty Per Assembly
101	0451 3008N	Tapping Screw:3X8	
102	0450 3010N	Tapping Screw - M3x10	

2.Exterior 2 (G133)

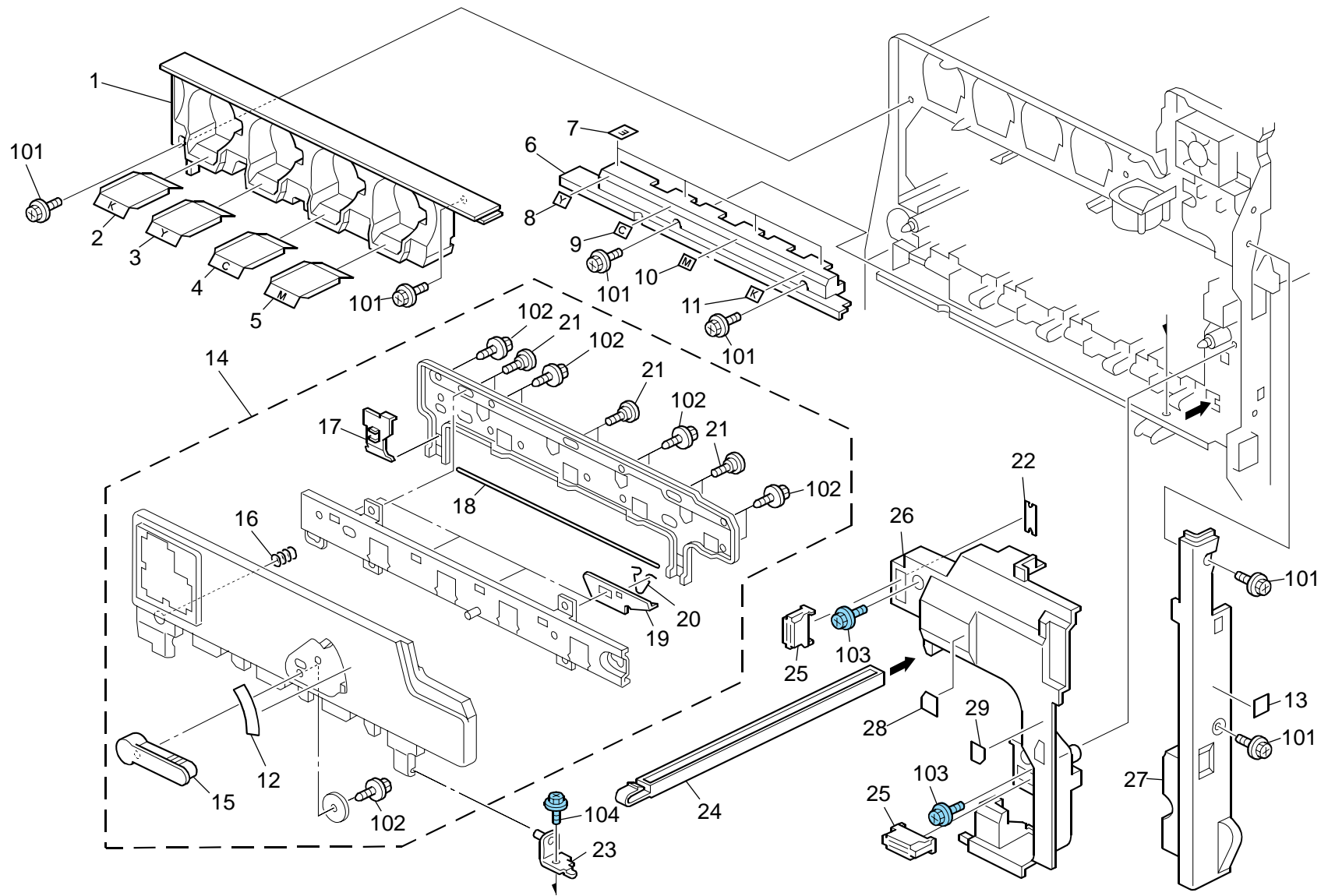


2.Exterior 2 (G133)

Index No.	Part No.	Description	Q'ty Per Assembly
1	B238 1372	Decal - Main Switch(on-off)	1
2	GA00 3167	Decal:Caution:Inkjet:NA	1
3	G133 1274	Cover:Front Right:P:EU	1
3	B222 1271	Cover:Right:Front:EU	1
4	G133 1405	Operation Panel Unit	1
5	G146 5740	Harness:Operation Panel	1
6	B223 4486	Exit Tray	1
7	B223 4487	Exit End Fence	1
8	AA02 1030	Magnet Catch	1
9	B223 1254	Collection Bottlecover - Front	1
10	B223 1260	Cover:Upper	1
11	G133 1261	Cover:Inner Back:P	1
12	G133 1263	Cover:Inner Back:Middle:P	1
13	G133 1266	Cover:Paper Exit Unit:Upper	1
14	B223 1242	Inner Cover - Left	1
15	G133 1267	Cover:Upper:Rear	1
16	G133 1268	Cover:Upper:Right	1
17	G133 1269	Cap:Dia17	2

Index No.	Part No.	Description	Q'ty Per Assembly
101	0451 3008N	Tapping Screw:3X8	
102	0451 3006N	Tapping Screw:3X6	
103	0452 3008N	Tapping Screw - M3x8	

3.Exterior 3 (G133)

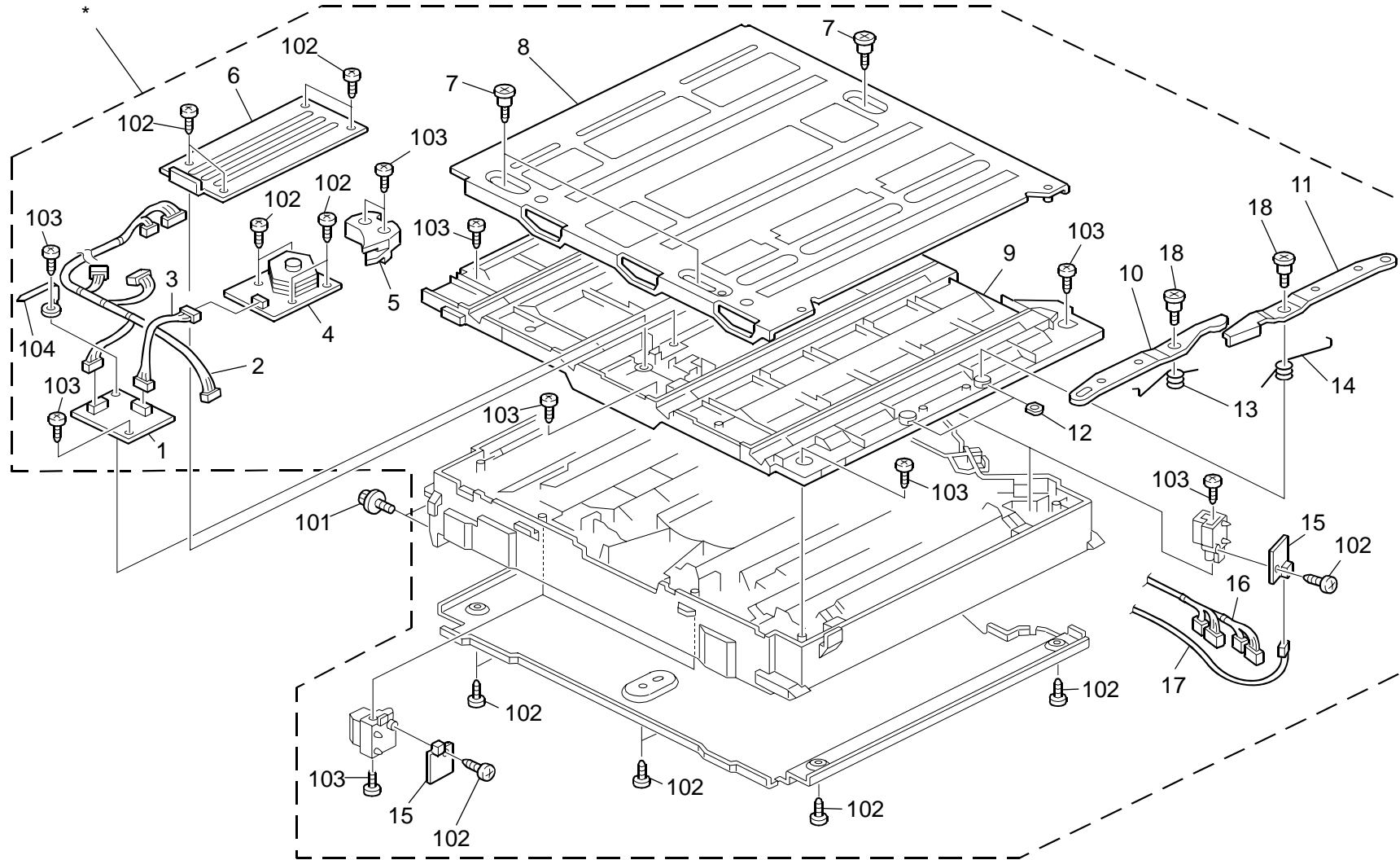


3.Exterior 3 (G133)

Index No.	Part No.	Description	Q'ty Per Assembly
1	B223 1241	Inner Cover:Upper:Left	1
1	B222 1241	Inner Cover:Upper:Left:EU	1
2	B238 3364	Decal:Colored Display:BK:Inner Cover	1
3	B238 3365	Decal:Colored Display:Y:Inner Cover	1
4	B238 3366	Decal:Colored Display:C:Inner Cover	1
5	B238 3367	Decal:Colored Display:M:Inner Cover	1
6	B223 1244	Inner Cover - Middle	1
7	B238 1368	Decal - Cleaning	4
8	GA00 3030	Decal - Shielding Plate Y	1
9	GA00 3032	Decal - Shielding Plate C	1
10	GA00 3031	Decal - Shielding Plate M	1
11	GA00 3033	Decal - Shielding Plate K	1
12	G133 1311	Decal:Drum Stay:Lever	1
13	B238 1362	Decal - Misfeed Removal B1	1
14	G133 1300	Drum Stay:PCU	1
15	G133 1303	Lever:Drum Stay:PCU	1
16	B223 1318	Spring	1
17	B223 1306	Drum Stay	1
18	B223 1319	Wire	1
19	B223 1315	Ball Bearing Plate	4
20	B223 1316	Ball Bearing Clip	4
21	B223 1317	Screw:Lever:Drum Stay	6
22	B223 1249	Stopper:Magnet Catch	1
23	B223 1123	Hinge - Cover Drum Stay	1
24	B238 2615	Case - Remove Paper Dust	1
25	AG07 1012	Magnet Catch:Ass'y	2
26	B223 1243	Inner Cover:Upper:Right	1
27	B223 1271	Cover:Right:Front	1
27	B222 1271	Cover:Right:Front:EU	1
28	G133 1244	Decal:Intermediate Transfer:Release	1
29	G133 1245	Decal:Intermediate Transfer:Lock	1

Index No.	Part No.	Description	Q'ty Per Assembly
101	0451 3008N	Tapping Screw:3X8	
102	0450 3010N	Tapping Screw - M3x10	
103	0454 3008Q	Tapping Screw:3x8	
104	0454 3006Q	Tapping Screw::3X6	

4.LD unit (G133)

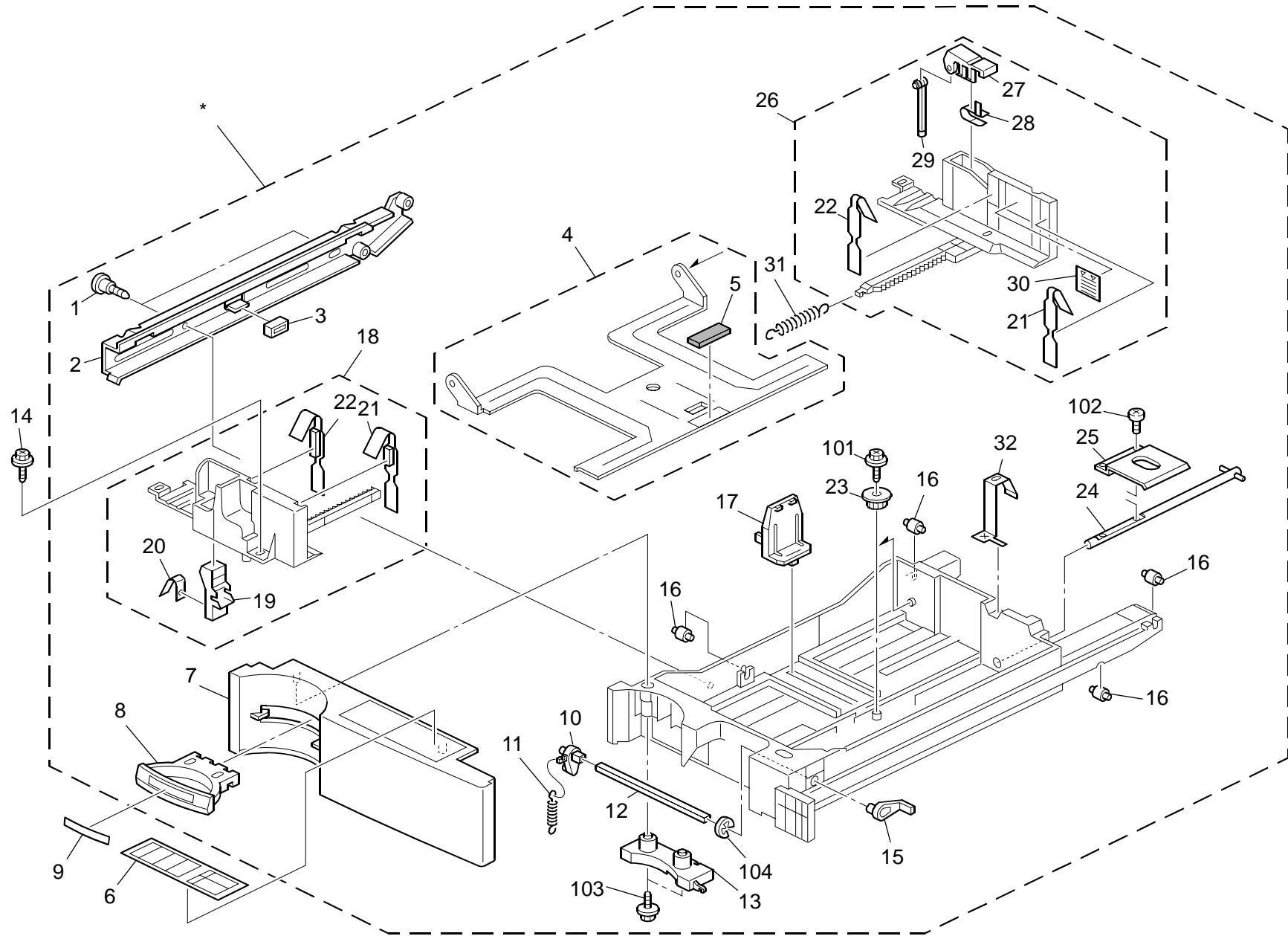


4.LD unit (G133)

Index No.	Part No.	Description	Q'ty Per Assembly
*	B223 1851	Image Forming Section: Service Papts:2LD:Ass'y	1
1	B180 5445	Polygon Mirror Motor Board	1
2	B223 5241	Harness:Polygon Mirror Motor	1
3	B223 5243	Harness:Motor:Driver	1
4	AX06 0286	Polygon Mirror Motor	1
5	B223 1903	Louver	1
6	B223 1882	Cover - Polygon Motor	1
7	B223 1907	Screw	3
8	B223 1885	Shutter Ass'y	1
9	B223 1881	Cover - Upper	1
10	B223 1909	Link:Shutter:2	1
11	B223 1908	Link:Shutter:1	1
12	B223 1989	Plate Nut:Link	2
13	B223 1914	Torsion Spring:Link:2	1
14	B223 1913	Torsion Spring:Link:1	1
15	B238 5144	PCB Sync Detector	4
16	B223 5235	Harness:Ldb:2LD	1
17	B223 5239	Harness:Sync Detector	1
18	B223 1988	Screw:Link:Shutter	2

Index No.	Part No.	Description	Q'ty Per Assembly
101	0451 3008N	Tapping Screw:3X8	
102	0452 3008N	Tapping Screw - M3x8	
103	0452 3010N	Binding Self-tapping Screw:3x10	

5.1st Paper Tray (G133)

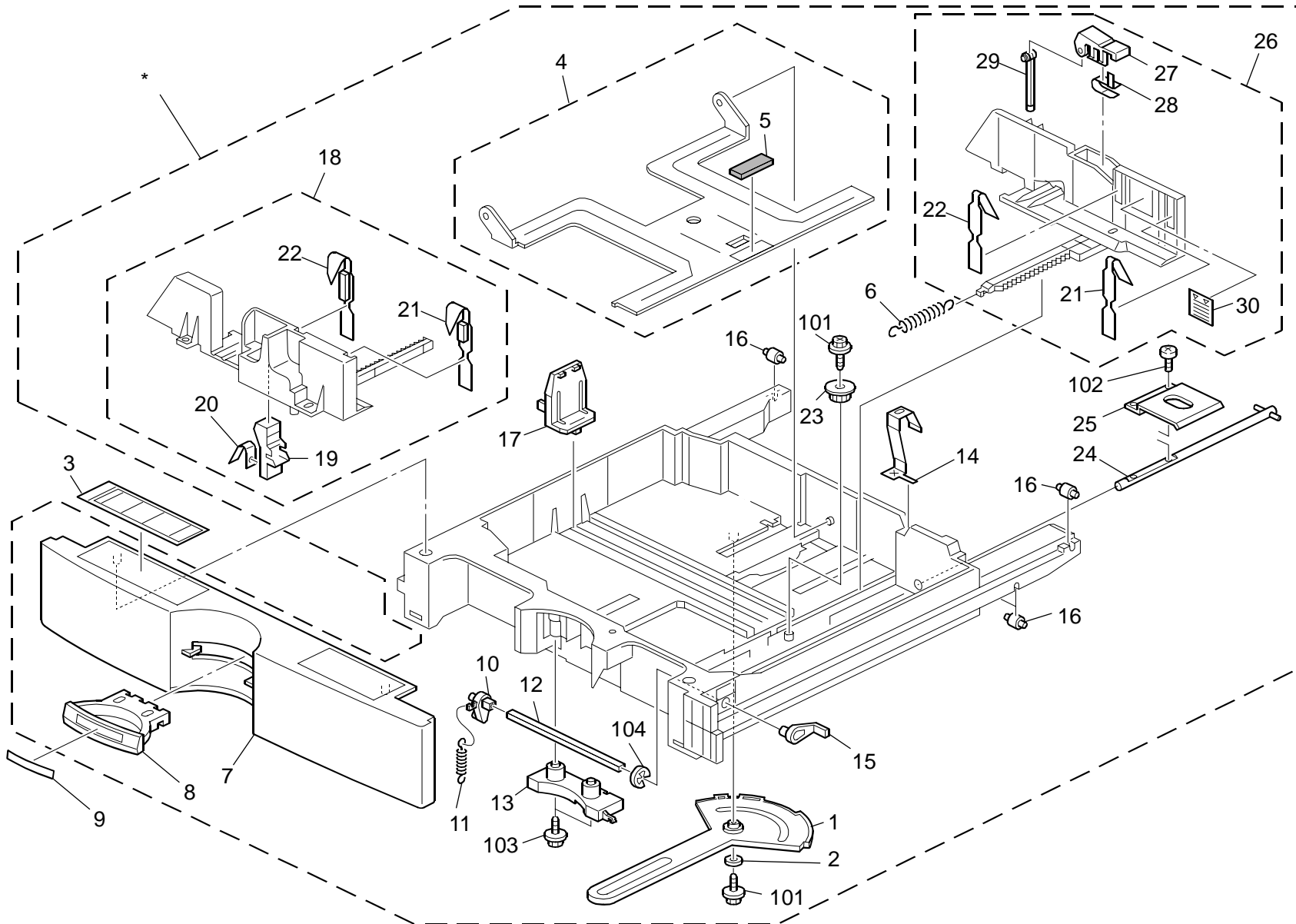


5.1st Paper Tray (G133)

Index No.	Part No.	Description	Q'ty Per Assembly
*	B223 2851	Paper Tray:No.1:Ass'y	1
1	AA14 3843	Screw:DIA6	2
2	B223 2890	Slide Rail - Left	1
3	B223 2894	Slide Rail Stopper - Left	1
4	B223 2940	Tray Bottom Plate	1
5	AF01 3006	Bottom Plate Pad	1
6	B237 2521	Decal - Paper Set Direction No.1	1
7	B223 2857	Cover - Paper Tray No.1	1
8	B223 2860	Paper Tray Grip	1
9	B238 2526	Decal - Grip	1
10	B223 2862	Lever - Release Inner	1
11	AA06 1014	Tension Spring:Grip	1
12	B223 2863	Release Shaft	1
13	B223 2861	Grip Holder	1
14	AA14 3577	Screw:Tp:M4	1
15	B223 2868	Lever:Release:Paper Tray:Outer	1
16	A232 2987	Roller - Paper Tray	4
17	B223 2912	End Fence	1
18	B223 2870	Side Fence - Front	1
19	B223 2923	Stopper Lever - Front	1
20	B004 2923	Spring Plate - Release Lever	1
21	B223 2935	Plate - Side Fence Right	2
22	B223 2934	Plate - Side Fence	2
23	B223 2936	Gear - 16Z	1
24	B223 2865	Rise No.1 Shaft	1
25	B223 2918	Rise Lever	1
26	B223 2880	Side Fence - Rear	1
27	A267 2860	Rear Lever Stopper	1
28	A267 2857	Spring Plate - Side Fence	1
29	A267 2859	Side Fence Stopper	1
30	B223 2873	Decal - Side Fence Rear	1
31	AA06 1003	Tension Spring:Side Fence:Rear	1
32	B223 2869	Ground Plate	1

Index No.	Part No.	Description	Q'ty Per Assembly
101	0450 4008N	Tapping Screw - M4x8	
102	0453 3008N	Binding Self Tapping Screw:3x8	
103	0450 3012N	Tapping Screw:3x12	
104	0720 0080E	Retaining Ring - M8	

6.2nd Paper Tray (G133)

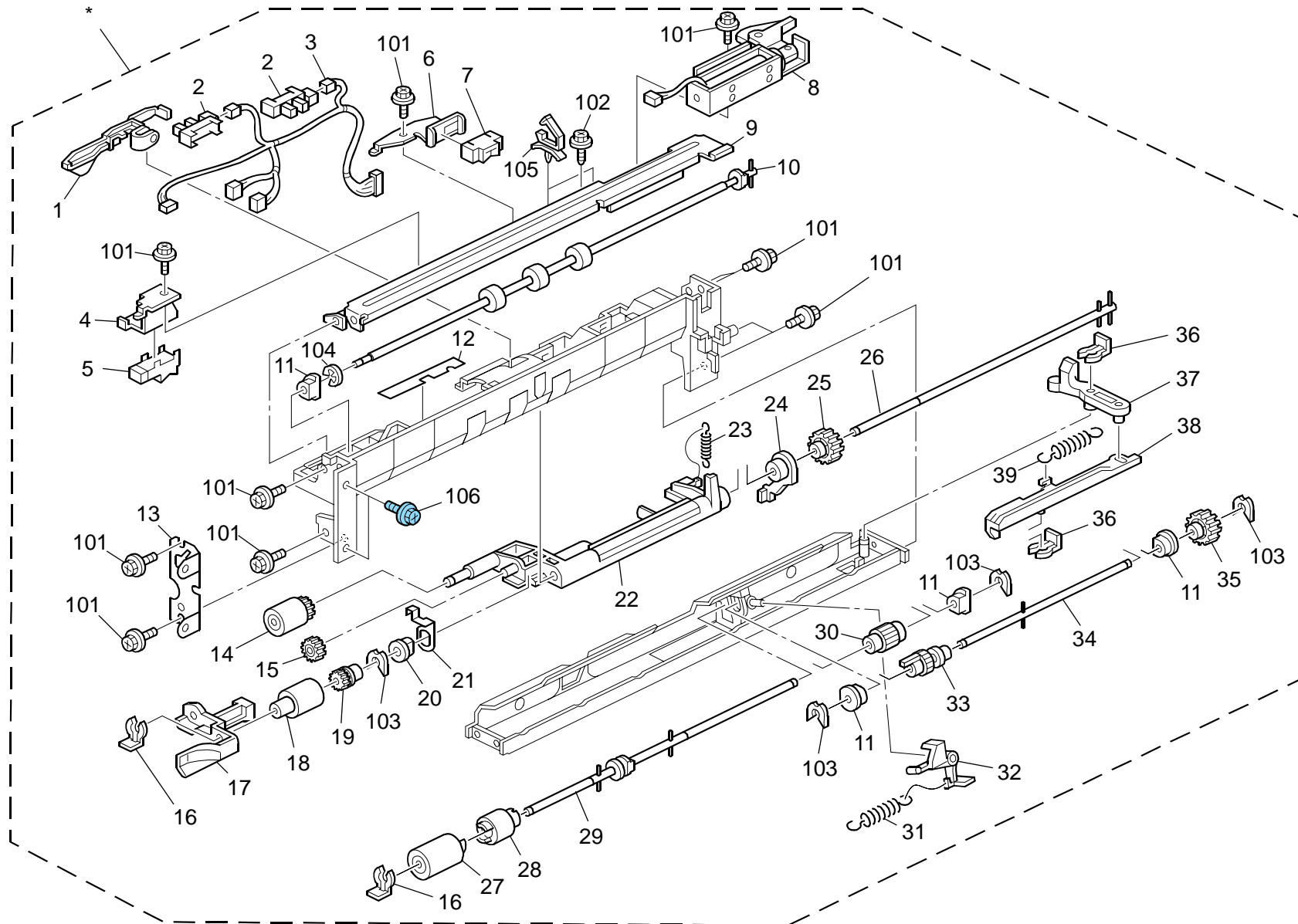


6.2nd Paper Tray (G133)

Index No.	Part No.	Description	Q'ty Per Assembly
*	B223 2901	Paper Tray:No.2:Ass'y	1
1	B223 2910	Link - Paper Size Sensor	1
2	B223 2911	Spacer	1
3	B238 2523	Decal - Paper Set Direction No.2	1
4	B223 2940	Tray Bottom Plate	1
5	AF01 3006	Bottom Plate Pad	1
6	AA06 1003	Tension Spring:Side Fence:Rear	1
7	B223 2946	Cover - Paper Tray No.2	1
8	B223 2860	Paper Tray Grip	1
9	B238 2527	Decal - Grip	1
10	B223 2862	Lever - Release Inner	1
11	AA06 1014	Tension Spring:Grip	1
12	B223 2863	Release Shaft	1
13	B223 2861	Grip Holder	1
14	B223 2919	Ground Plate - Paper Tray No.2	1
15	B223 2868	Lever:Release:Paper Tray:Outer	1
16	A232 2987	Roller - Paper Tray	4
17	B223 2912	End Fence	1
18	B223 2920	Front Side Fence	1
19	B223 2923	Stopper Lever - Front	1
20	B004 2923	Spring Plate - Release Lever	1
21	B223 2935	Plate - Side Fence Right	2
22	B223 2934	Plate - Side Fence	2
23	B223 2936	Gear - 16Z	1
24	B223 2865	Rise No.1 Shaft	1
25	B223 2918	Rise Lever	1
26	B223 2930	Rear Side Fence	1
27	A267 2860	Rear Lever Stopper	1
28	A267 2857	Spring Plate - Side Fence	1
29	A267 2859	Side Fence Stopper	1
30	B223 2873	Decal - Side Fence Rear	1

Index No.	Part No.	Description	Q'ty Per Assembly
101	0450 4008N	Tapping Screw - M4x8	
102	0453 3008N	Binding Self Tapping Screw:3x8	
103	0450 3012N	Tapping Screw:3x12	
104	0720 0080E	Retaining Ring - M8	

7.Paper Feed Section (G133)

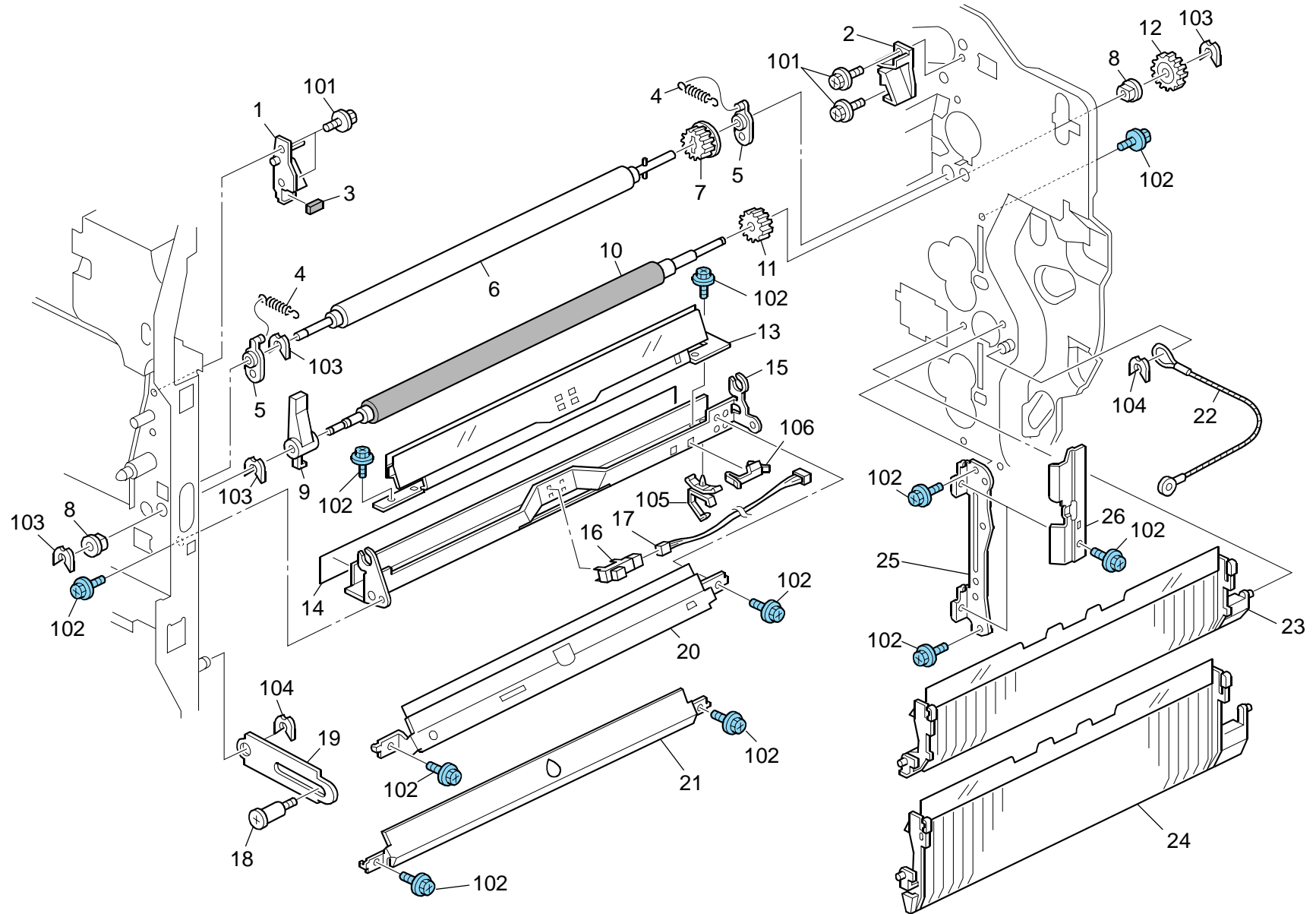


7.Paper Feed Section (G133)

Index No.	Part No.	Description	Q'ty Per Assembly
*	B223 2750	Paper Feed Unit	2
1	B223 2767	Paper End Feeler	1
2	AW02 0145	Photointerruptor:Flat	2
3	B223 2773	Harness - Paper Feed Unit	2
4	B223 2778	Sensor Bracket	1
5	AW01 0128	Paper Feed Sensor	1
6	B082 2781	Bracket:Sensor	1
7	AW01 0122	Paper Feed Sensor	1
8	B223 2780	DC Solenoid 24V	1
9	B223 2776	Stay	1
10	B238 2569	Transport Roller	1
11	AA08 2143	Bushing - 6x10x6	4
12	B223 2772	Harness Sheet	1
13	B223 2786	Ground Plate - Front	1
14	AF03 0090	Paper Feed Roller:Pickup	1
15	AB01 1252	Gear - 20Z	1
16	AA10 0014	Retaining Ring C - Separate	2
17	B223 2829	Feed Guide	1
18	AF03 1090	Paper Feed Roller:Feed	1
19	AB01 1218	Gear - Roller Clutch	1
20	AA08 2101	Bushing - 6x10x6	1
21	B223 2765	Ground Plate - Feed	1
22	B223 2761	Pickup Arm	1
23	AA06 0691	Tension Spring	1
24	G065 2767	Lever - Feed	1
25	B223 2764	Gear-24z	1
26	B223 2762	Feed Shaft	1
27	AF03 2090	Paper Feed Roller:Separate	1
28	B004 2783	Torque Limiter	1
29	B223 2810	Separate Driven Shaft	1
30	AB01 0157	Gear:Separate:Driven	1
31	AA06 0693	Tension Spring	1
32	G065 2774	Pressure Lever	1
33	AB01 0156	Gear:Separate:Drive	1
34	B223 2815	Separate Drive Shaft	1

Index No.	Part No.	Description	Q'ty Per Assembly
35	B223 2819	Gear - 22Z	1
36	5206 2686	Snap Ring	1
37	G065 2776	Release Lever	1
38	G065 2775	Link Lever	1
39	AA06 2259	Spring - Release	1
101	0451 3006N	Tapping Screw:3X6	
102	0450 3008N	Tapping Screw - M3x8	
103	0805 0089	Retaining Ring - M4	
104	0720 0040E	Retaining Ring - M4	
105	1105 0511	Clamp:Lwsm-0306	
106	0454 3008Q	Tapping Screw:3x8	
107	0353 0030N	Screw:M3X3	
108	0623 0080E	Spring Pin:3X8	

8. Paper Registration (G133)

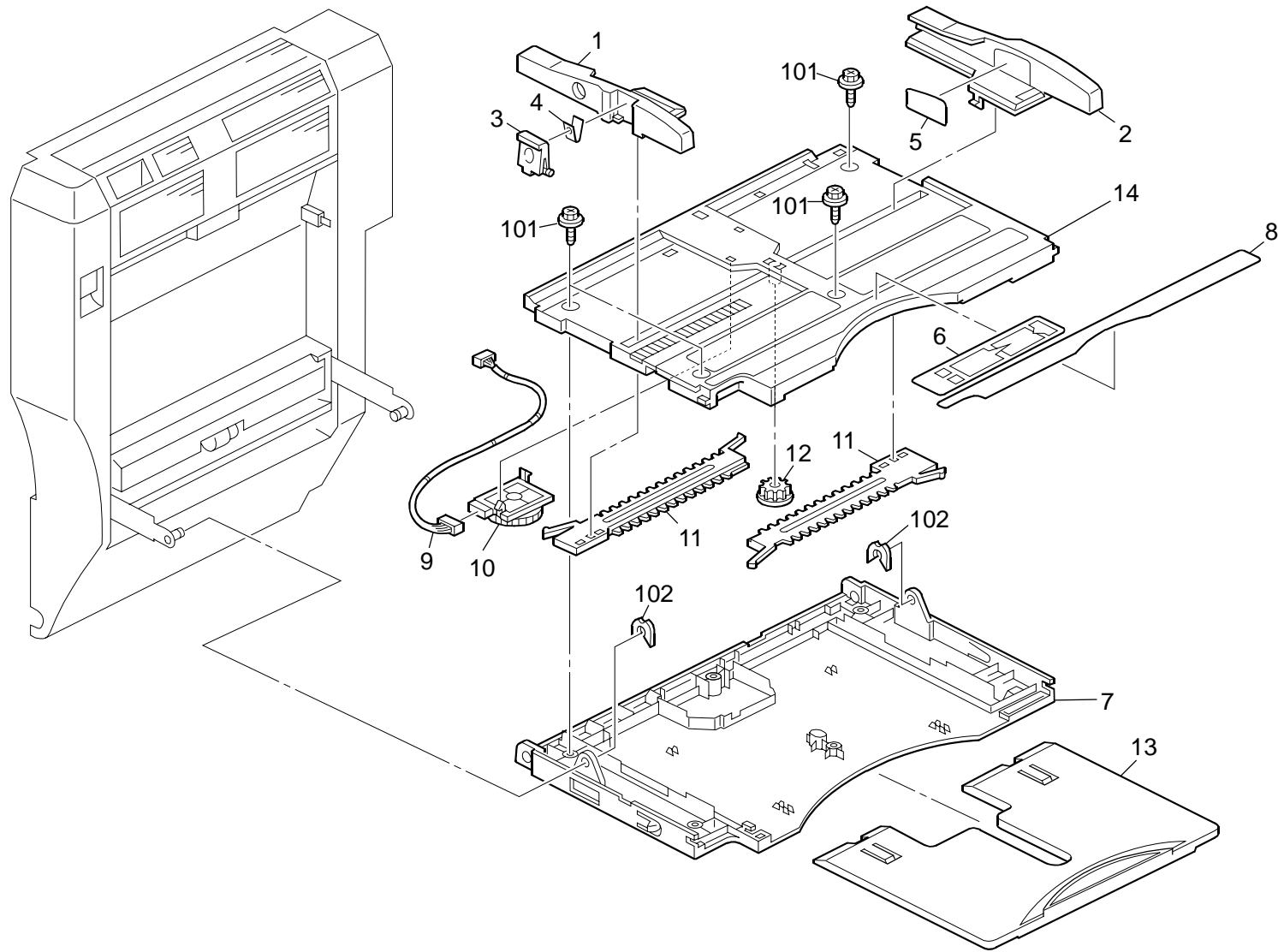


8.Paper Registration (G133)

Index No.	Part No.	Description	Q'ty Per Assembly
1	B223 6311	Positioning Guide - Front	1
2	B223 6312	Positioning Guide - Rear	1
3	B223 6315	Cushion	1
4	B238 2676	Tension Spring	2
5	B238 2675	Registration Roller Bushing	2
6	B238 2661	Registration Roller - Driven	1
7	B238 2657	Gear - 18Z	1
8	AA08 2101	Bushing - 6x10x6	2
9	B223 2558	Registration Roller Knob	1
10	B238 2652	Registration Roller - Drive	1
11	B238 2655	Gear - 16Z	1
12	B238 2656	Gear - 30Z	1
13	B238 2670	Cleaner Bracket	1
14	B238 2622	Cover - Remove Paper Dust	1
15	B238 2621	Stay	1
16	AW01 0107	Paper Feed Sensor	1
17	B223 2599	Harness:Registration Sensor	1
18	AA14 3404	Stepped Screw - M4	1
19	B223 4523	Link:Stopper	1
20	B223 2570	Guide Plate:Registration:Right	1
21	B238 2612	Registration Guide Plate - Left	1
22	B223 4524	Wire:Stopper:Dia1.5	1
23	B223 2835	Guide Plate	1
24	B223 2840	Guide Plate No.2	1
25	B223 2846	Bracket:Cover:Harness	1
26	B223 2848	Cover:Harness	2

Index No.	Part No.	Description	Q'ty Per Assembly
101	0451 3006N	Tapping Screw:3X6	
102	0454 3006Q	Tapping Screw::3X6	
103	0805 0089	Retaining Ring - M4	
104	0805 0088	Retaining Ring - M6	
105	1105 0511	Clamp:Lwsm-0306	
106	1105 0643	Clamp - RFC-14V0	

9.By-pass Feed Section 1 (G133)



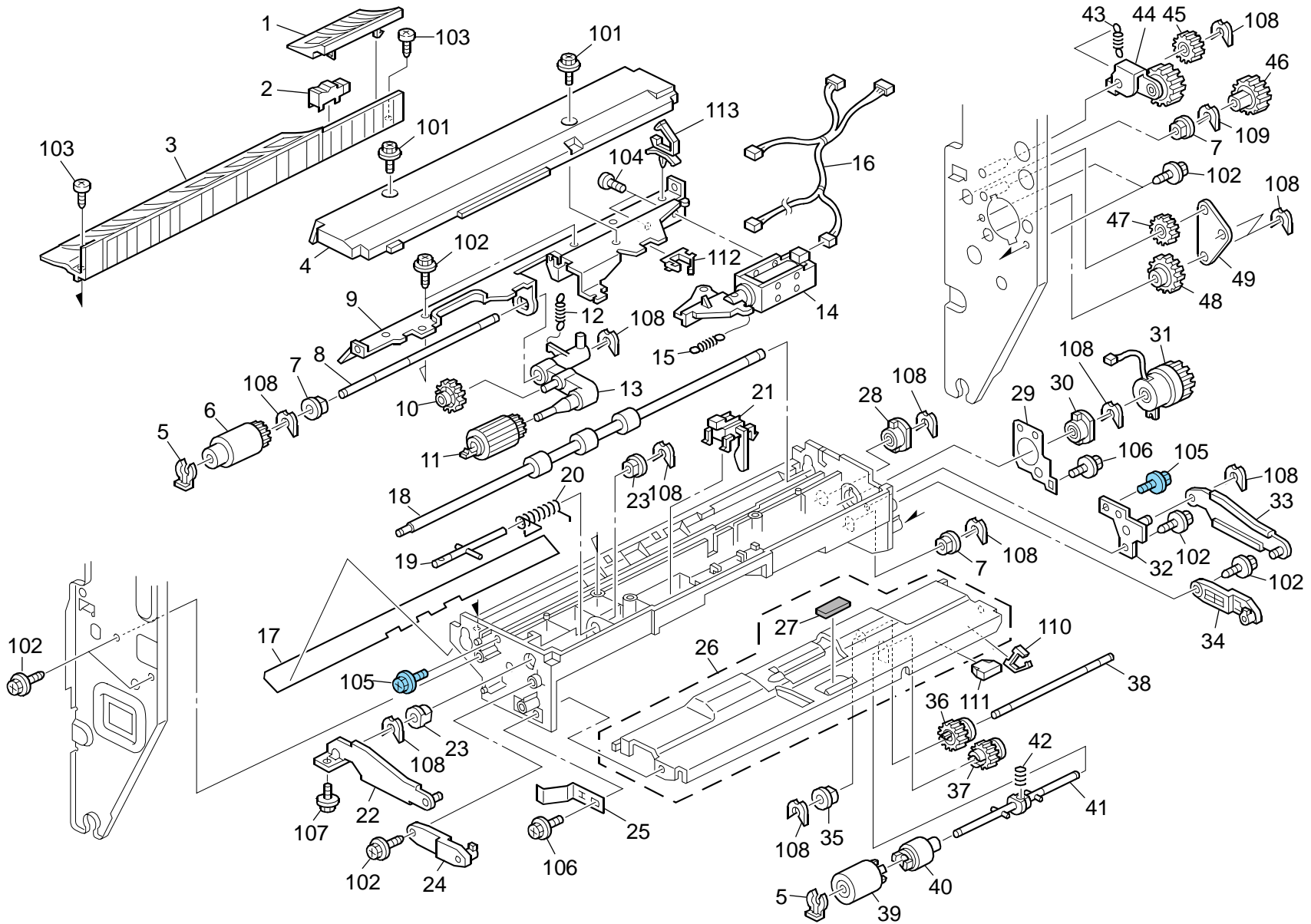
9.By-pass Feed Section 1 (G133)

Index No.	Part No.	Description	Q'ty Per Assembly
1	B223 2698	Side Fence:Front	1
2	B223 2697	Side Fence:Rear	1
3	B223 2667	Grip:Side Fence	1
4	B223 2668	Spring Plate:Stopper	1
5	B223 2645	Decal:Side Fence	1
6	B223 2655	Decal:Paper Set Direction	1
7	B223 2661	Cover:Manual Feed	1
8	B223 2644	Decal:Scale	1
9	B223 2669	Harness:Paper Size Sensor	1
10	AW50 0031	Paper Size Sensor	1
11	B223 2631	Rack:Manual Feed	2
12	B223 2666	Gear:16Z	1
13	B223 2663	Extension Tray	1
14	B223 2662	Manual Feed Table	1



Index No.	Part No.	Description	Q'ty Per Assembly
101	0450 3008N	Tapping Screw - M3x8	
102	0805 0089	Retaining Ring - M4	

10.By-pass Feed Section 2 (G133)

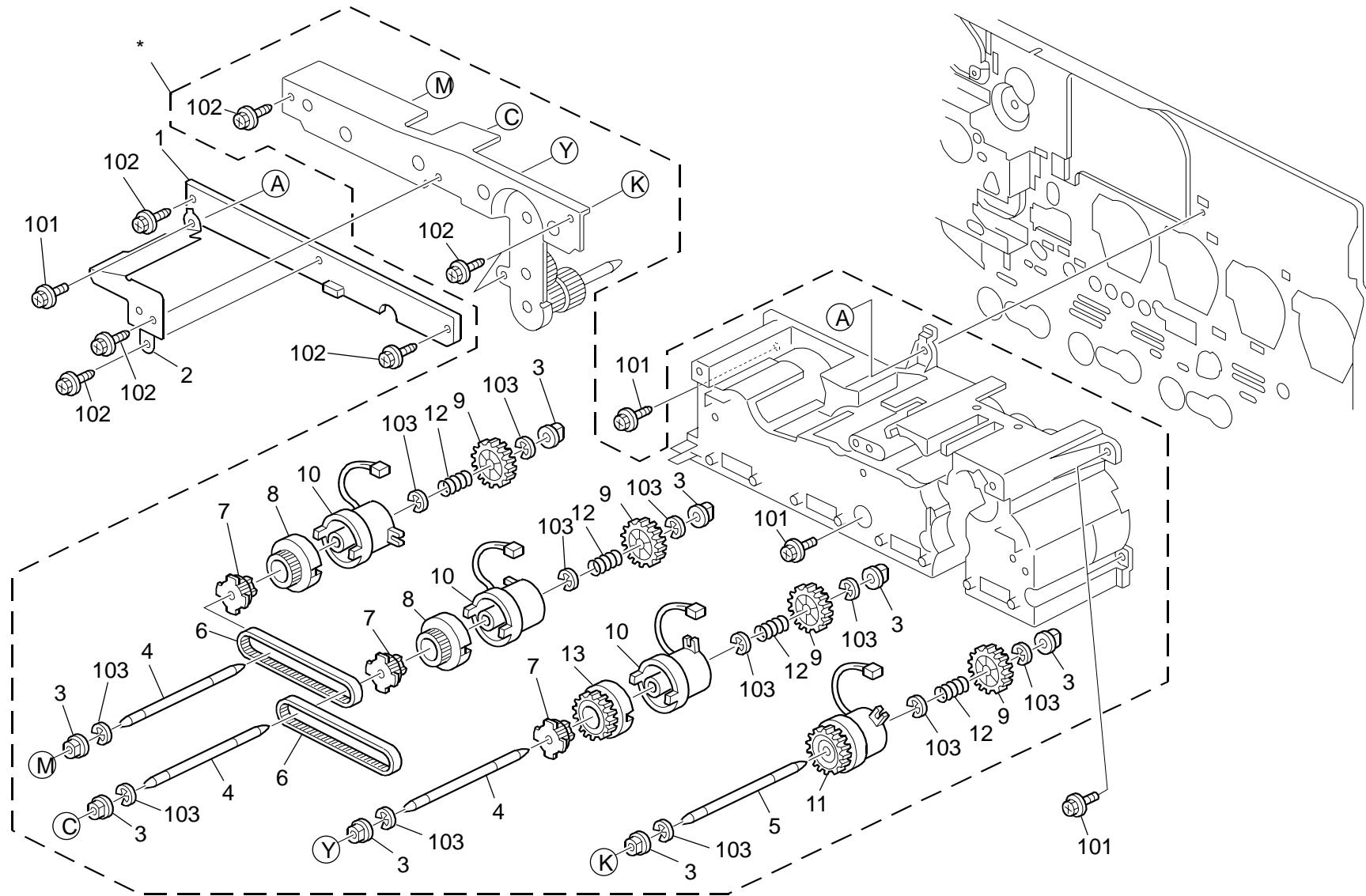


10.By-pass Feed Section 2 (G133)

Index No.	Part No.	Description	Q'ty Per Assembly
1	B223 2623	Cover:Guide Plate:Exit	1
2	AW01 0107	Paper Feed Sensor	1
3	B223 2622	Guide Plate:Exit	1
4	B223 2621	Cover:Manual Feed Unit	1
5	AA10 0014	Retaining Ring C - Separate	2
6	AF03 1046	Feed Roller - Manual Feed	1
7	AA08 2101	Bushing - 6x10x6	2
8	AA14 0777	Shaft:Feed	1
9	B223 2629	Stay:Feed	1
10	AB01 1387	Gear - 23Z	1
11	AF03 0049	Pick-up Roller	1
12	AA06 3568	Spring:Pressure:Pickup	1
13	G060 2932	Pick-up Arm - Manual Feed	1
14	B223 2632	DC Solenoid:Pickup	1
15	B223 2633	Spring:Release:Pickup	1
16	B223 2659	Harness:Manual Feed	1
17	B223 2624	Sheet:Guide:Exit	1
18	B223 2619	Transport Roller:Exit:Duplex	1
19	B223 2634	Support Stay:Arm	1
20	B223 2636	Torsion Spring:27n	1
21	AW50 0035	Paper End Sensor	1
22	B223 2651	Arm:Manual Feed:Front	1
23	AA08 2102	Bushing - 6x10x6	2
24	B223 2657	Arm:Manual Feed:Short:Front	1
25	B223 2607	Ground Plate:Reverse	1
26	B223 2609	Guide Plate:Separator	1
27	AF01 3016	Bottom Plate Pad	1
28	G080 2682	Bushing:Feed	1
29	B223 2606	Ground Plate:Rear	1
30	AA08 3014	One-way Clutch	1
31	AX20 2007	Magnetic Clutch	1
32	B223 2637	Bracket:Arm:Manual Feed:Rear	1
33	B223 2652	Arm:Manual Feed:Rear	1
34	B223 2658	Arm:Manual Feed:Short:Rear	1
35	A259 6754	Bushing - 6 6mm	1

Index No.	Part No.	Description	Q'ty Per Assembly
36	AB01 1416	Gear - 20Z	1
37	B223 2608	Gear:Z16	1
38	AA14 0778	Shaft:Separator:Drive	1
39	AF03 2046	Separation Roller - Manual Feed	1
40	G080 2900	Torque Limiter	1
41	B180 2871	Shaft:Separator:Driven:Ass'y	1
42	AA06 3499	Pressure Spring	1
43	AA06 0872	Spring	1
44	B223 2681	Arm:Tightener	1
45	AB01 1223	Idler Gear - 25z	1
46	B223 2686	Gear:Z31	1
47	B223 2683	Gear:25Z	1
48	B223 2689	Gear:Z28	1
49	B223 2696	Drum Stay:Drive	1
101	0451 3006N	Tapping Screw:3X6	
102	0450 3008N	Tapping Screw - M3x8	
103	0452 3008N	Tapping Screw - M3x8	
104	0353 0040N	Screw - M3X4	
105	0454 3008Q	Tapping Screw:3x8	
106	0451 3008N	Tapping Screw:3X8	
107	0360 3006N	Screw:M3X6	
108	0805 0089	Retaining Ring - M4	
109	0805 0088	Retaining Ring - M6	
110	1105 0522	Edge Saddle - Les0510	
111	1102 6248	Connector - 5P	
112	1105 0551	Clamp:LES-0505	
113	1105 0511	Clamp:Lwsm-0306	

11.Toner Supply Unit 1 (G133)

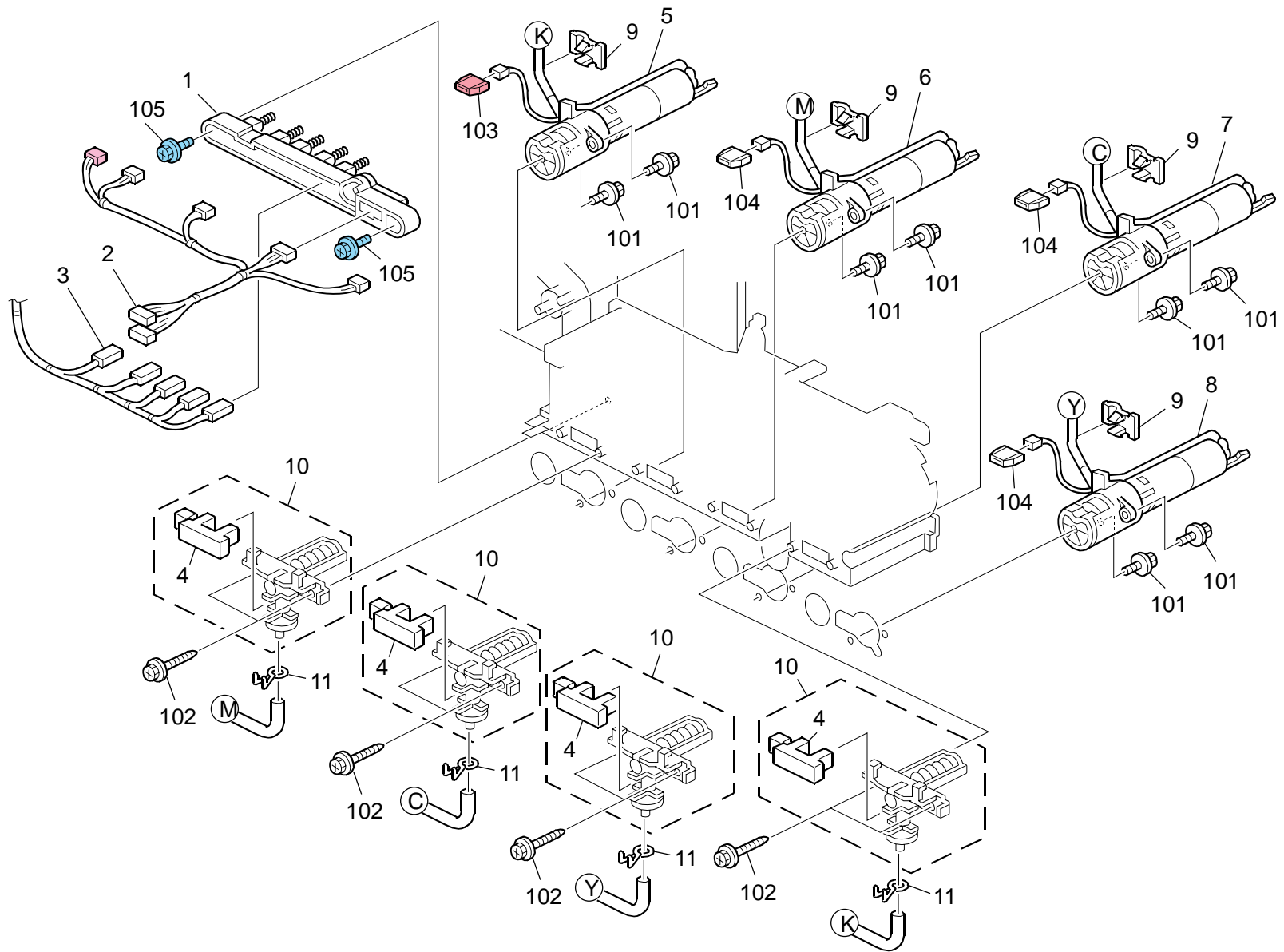


11.Toner Supply Unit 1 (G133)

Index No.	Part No.	Description	Q'ty Per Assembly
*	G133 3405	Drive Unit:Toner Supply	1
1	B238 5051	PCB:RFID:RW	1
2	B223 3470	Rfid Ground Plate	1
3	AA08 2101	Bushing - 6x10x6	8
4	B223 3426	Shaft:Drive:Drive Unit:CM	3
5	B223 3424	Shaft:Drive:Drive Unit:BKY	1
6	B223 3441	Timing Belt:Toner Bottle	2
7	B223 3461	Pulley:Toner Bottle:YC	3
8	B223 3462	Pulley:Toner Bottle:CM	2
9	B223 3463	Gear:Toner Bottle:Drive	4
10	B223 3457	Magnetic Clutch - 0.25n.m YCM	3
11	B223 3455	Magnetic Clutch - 0.25n.m BK	1
12	B223 3428	Spring:Drive Unit:Toner Bottle	4
13	B223 3464	Gear:Magnetic Clutch:Y	1

Index No.	Part No.	Description	Q'ty Per Assembly
101	0451 3006N	Tapping Screw:3X6	
102	0450 3012N	Tapping Screw:3x12	
103	0720 0040E	Retaining Ring - M4	

12.Toner Supply Unit 2 (G133)

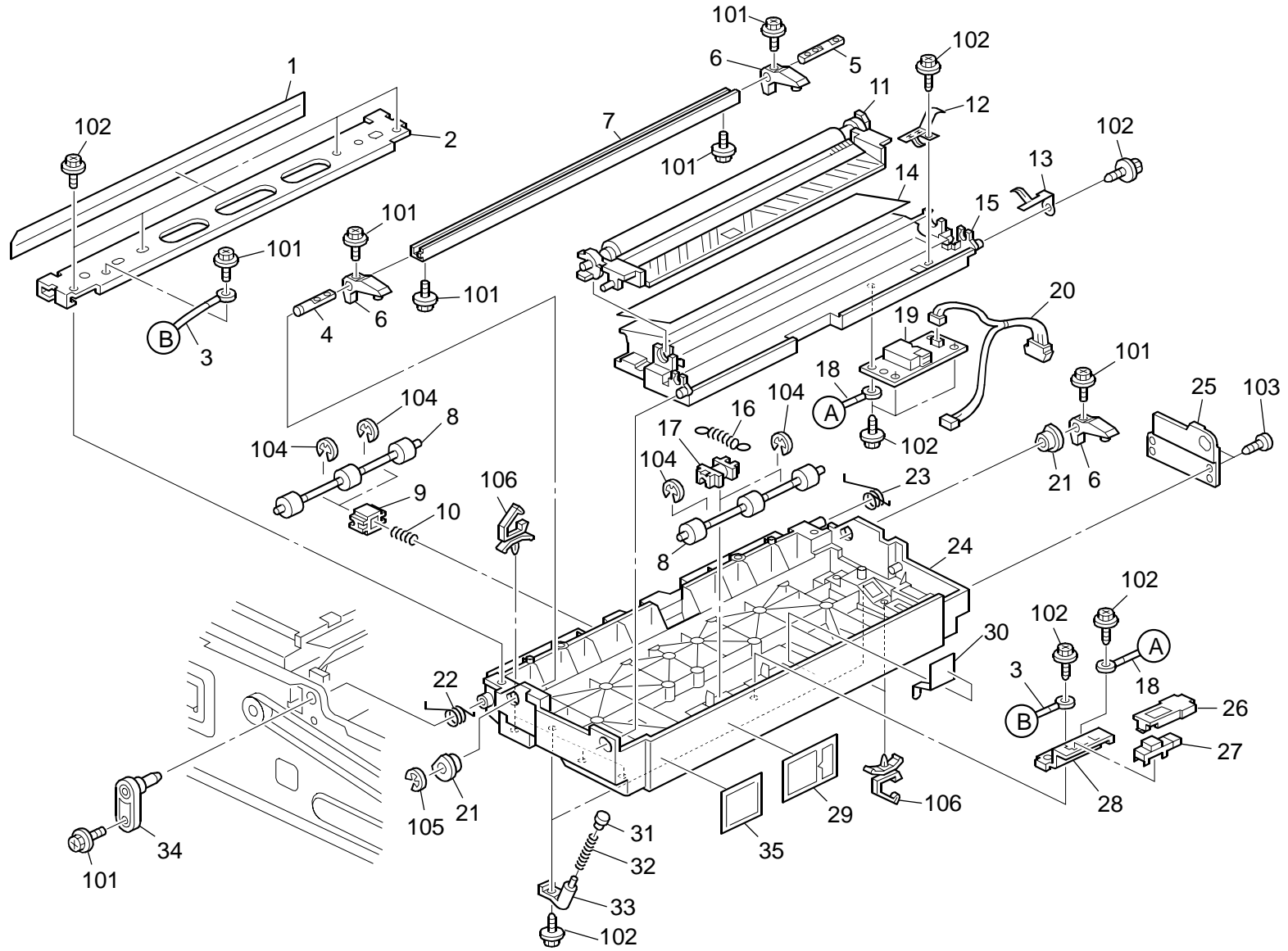


12.Toner Supply Unit 2 (G133)

Index No.	Part No.	Description	Q'ty Per Assembly
1	B223 6140	Drawer:Intermediate Transfer:Ass'y	1
2	B223 5304	Harness:IOB:Toner Supply:CL	1
3	B223 5310	Harness:P.P:High Voltage Line:T/TS	1
4	AW02 0185	Toner End Sensor	4
5	B223 3211	Pump Unit - BK	1
6	B223 3204	Pump Unit - M	1
7	B223 3203	Pump Unit - C	1
8	B223 3202	Pump Unit - Y	1
9	B223 3206	Tube Clamp	4
10	B223 3205	Nozzle Ass'y	4
11	B223 3209	Tube Clip	4

Index No.	Part No.	Description	Q'ty Per Assembly
101	0451 3008N	Tapping Screw:3x8	
102	0450 3012N	Tapping Screw:3x12	
103	1102 6259	Connector - 2P	
104	1102 6245	Relay Connector - 2P	
105	0454 3006Q	Tapping Screw::3x6	

13.Paper Separation (G133)

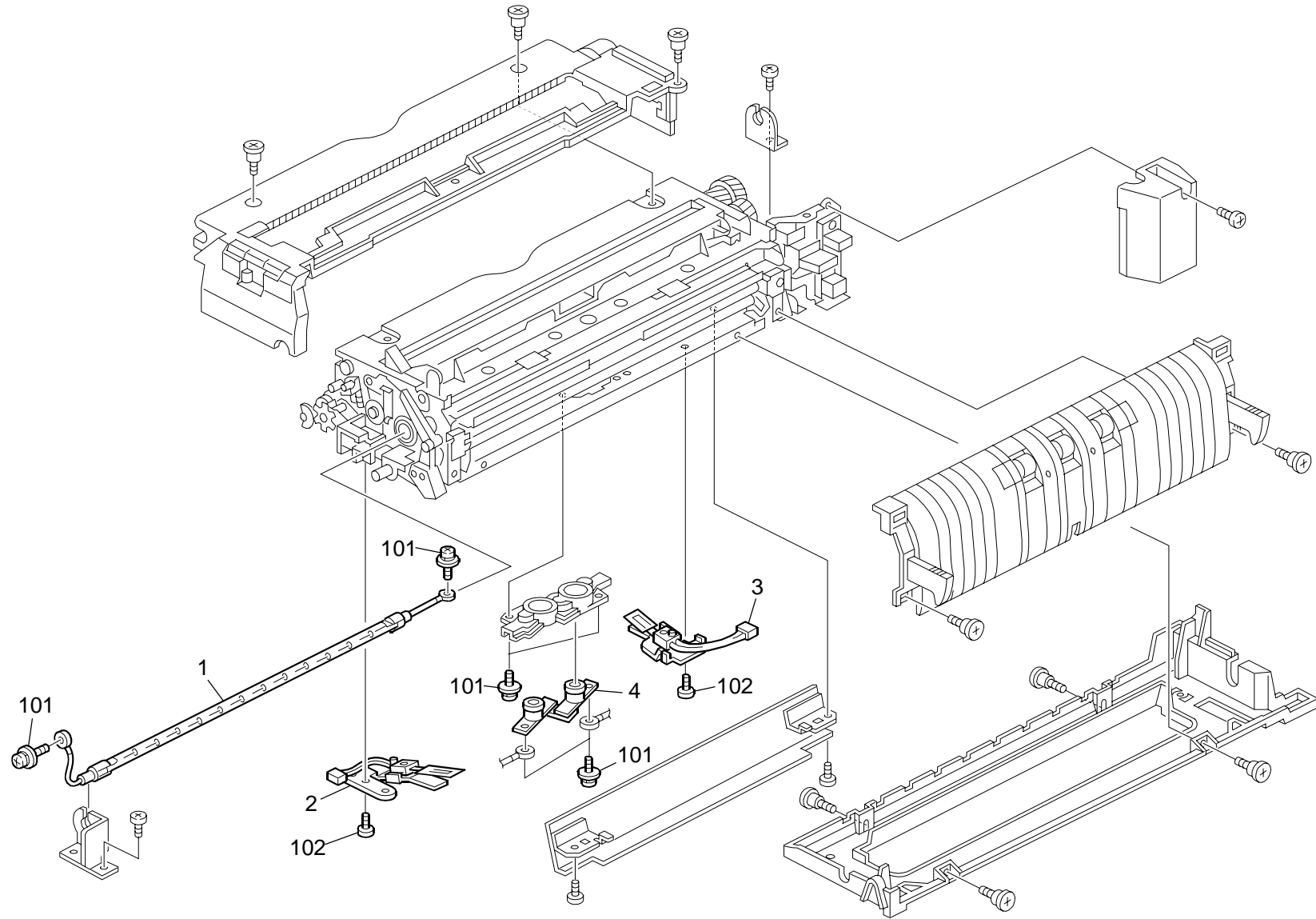


13.Paper Separation (G133)

Index No.	Part No.	Description	Q'ty Per Assembly
1	B223 4555	Sheet:Transport Unit	1
2	B223 4554	Bracket:Guide Plate	1
3	B223 4557	Harness:Ground Wire	1
4	B223 6322	Lever Shaft - Front	1
5	B223 6323	Lever Shaft - Rear	1
6	B223 6306	Release Lever	3
7	B223 6320	Lever Bracket - Middle	1
8	B223 4559	Driven Roller:Dia16	2
9	AA08 0254	Bushing - M4	2
10	B223 4556	Compression Spring	2
11	G133 6260	Transfer/Separation Unit:P1-U:ASS'Y	1
12	B223 6289	Terminal	1
13	B223 6285	Transfer Roller Terminal	1
14	B223 6327	Sheet:Case:Lower	1
15	G133 6281	Case:Transfer Roller:Ap-p1	1
16	B223 4553	Tension Spring:Driven Roller	2
17	B223 4552	Bushing:Dia4	2
18	B223 6317	Ground Wire - Power Pack	1
19	AZ30 0059	Power Pack:D	1
20	B223 4561	Harness - Second Transfer Unit	1
21	AA08 2145	Bushing - 8x12x7	2
22	B223 4542	Torsion Spring:Front	1
23	B223 4541	Torsion Spring:Rear	1
24	B223 4551	Guide Plate:Transfer Unit:Holder	1
25	B223 6290	Drum Stay - Rear	1
26	B238 4739	Cover - Entrance Sensor	1
27	AW01 0118	Paper Feed Sensor	1
28	B238 4733	Entrance Sensor Bracket	1
29	B223 4394	Decal:Warning (high Temperature)	1
30	B223 4558	Sheet:Harness	1
31	B223 6319	Spring Cap	2
32	B223 6308	Transfer Spring	2
33	B223 6321	Spring Anchor	2
34	B223 4545	Guide Pin:Holder	1
35	B223 6324	Decal:Replacement Indication	1


Index No.	Part No.	Description	Q'ty Per Assembly
101	0451 3006N	Tapping Screw:3X6	
102	0450 3008N	Tapping Screw - M3x8	
103	0452 3008N	Tapping Screw - M3x8	
104	0720 0030E	Retaining Rings-E:3	
105	0720 0060E	Retaining Ring - M6	
106	1105 0511	Clamp:Lwsm-0306	

14.Fusing unit 1 (G133)

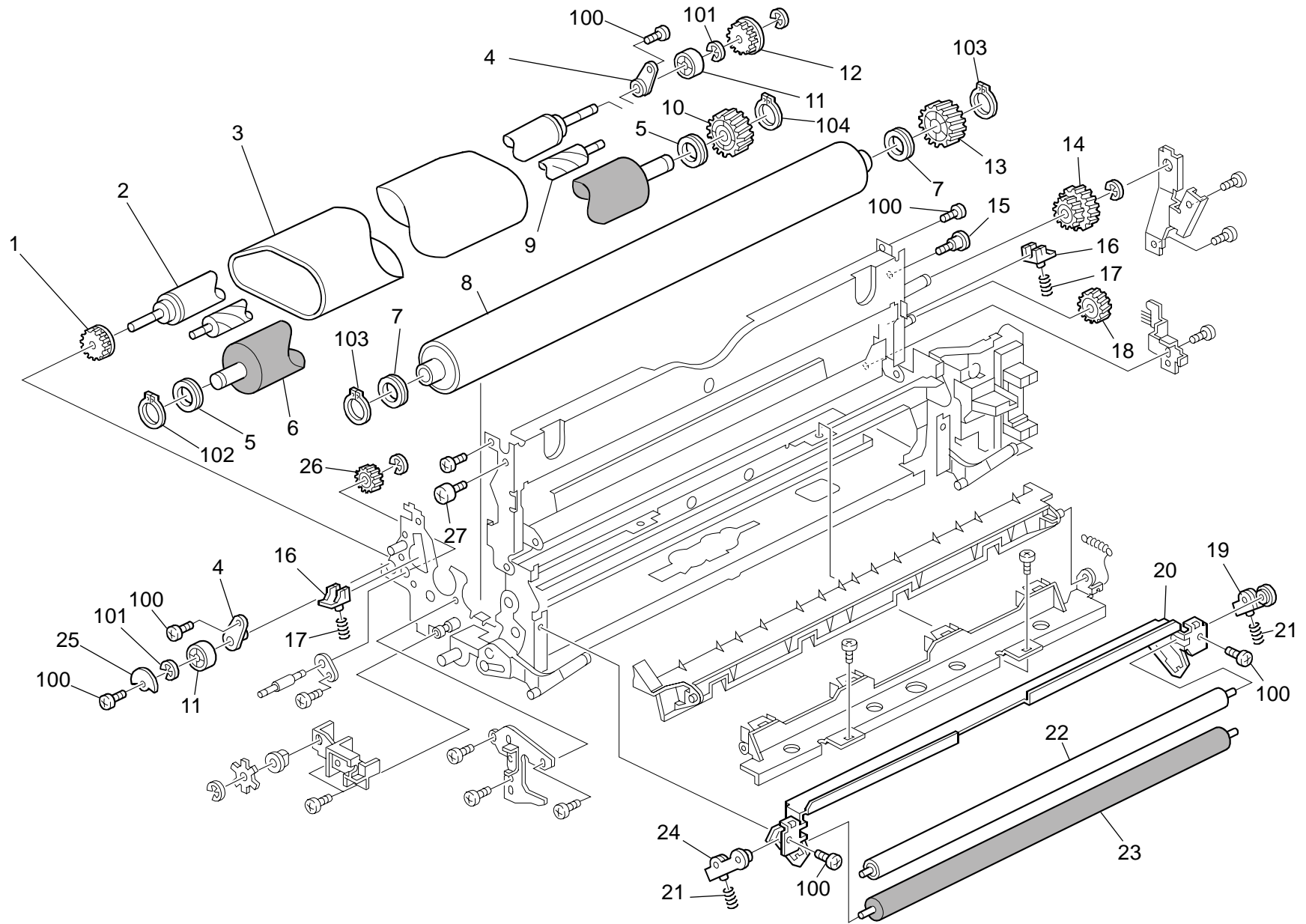


14.Fusing unit 1 (G133)


Index No.	Part No.	Description	Q'ty Per Assembly
1	AX43 0156	Heater:120V:500W	1
1	AX43 0157	Heater:230V:500W	1
2	B223 4172	Thermistor:Fusing:Ass'y	1
3	B223 4177	Thermistor:Pressure:Ass'y	1
4	B223 4162	Thermostat:Ass'y	1

Index No.	Part No.	Description	Q'ty Per Assembly
101	0954 3010N	Screw:Polished Round/Spring:M3x10	1
102	0353 0060N	Bind Screw - M3x6	
			

15.Fusing unit 2 (G133)

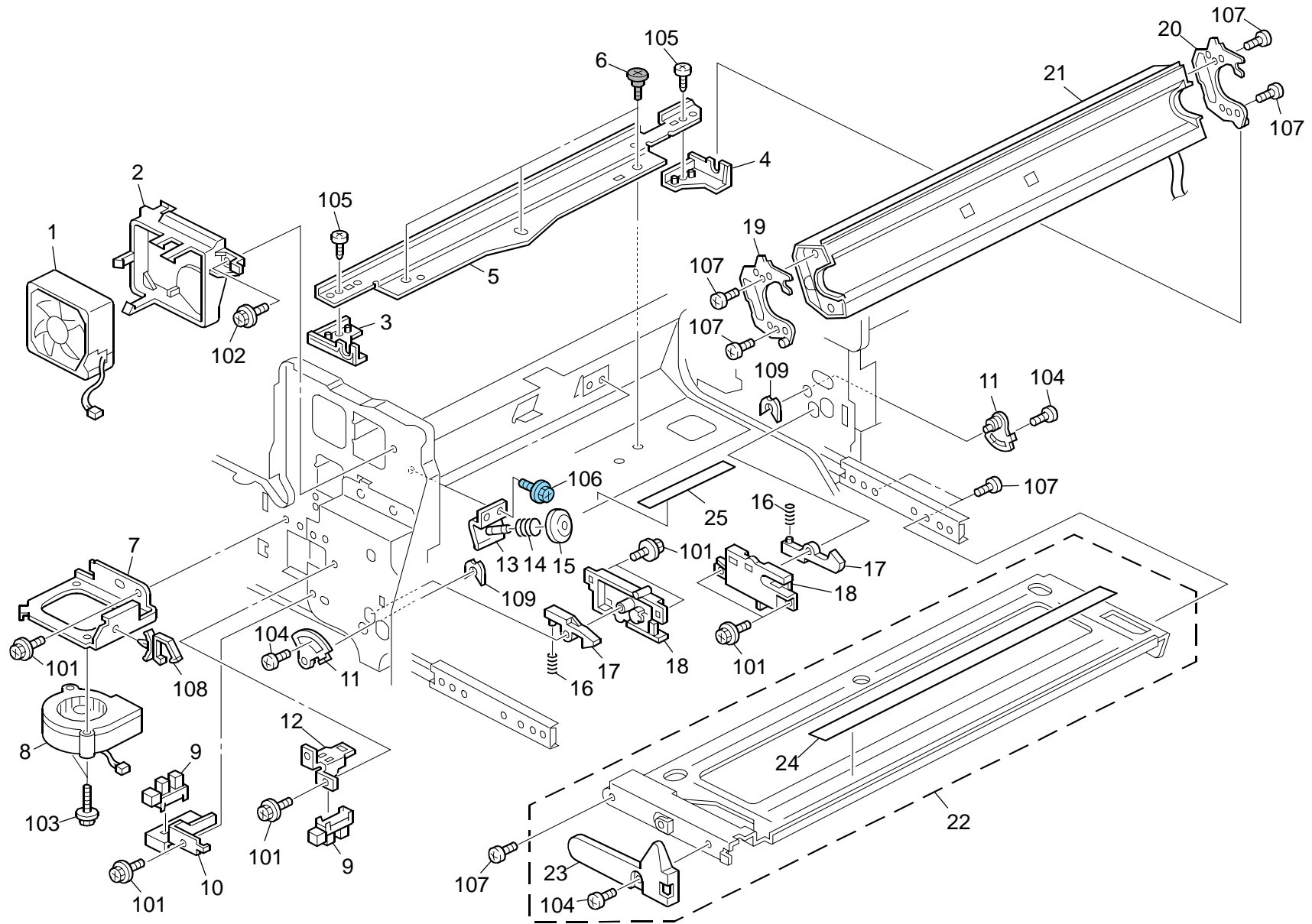


15.Fusing unit 2 (G133)

Index No.	Part No.	Description	Q'ty Per Assembly
1	AB01 0088	Gear:Sensor:Turn	1
2	B223 4235	Roller:Ferrite Core:Ass'y	1
3	B223 4221	Fusing Belt:Dia60:Adhesion	1
4	AE03 1046	Bushing:Heat Roller	2
5	AE03 0069	Ball Bearing:Dia12xdia21x7	2
6	AE01 0059	Hot Roller:Dia35	1
7	AE03 0071	Ball Bearing:Dia17xdia26x5	2
8	AE02 0115	Pressure Roller:Dia40	1
9	B223 4226	Roller:Belt Tensioner:Dia12	1
10	AB01 2044	Gear:Hot Roller	1
11	B223 4233	Spacer:Heat Roller	2
12	AB01 1249	Gear:Turn:Ferrite Core:Z16	1
13	AB01 2045	Gear:Pressuer Roller	1
14	AB01 7703	Gear:Drive:Fusing	1
15	AA14 3526	Stepped Screw - M3	1
16	AE03 1065	Bushing:Fusing Sub-unit	2
17	AA06 3954	Compression Spring:Belt Tensioner	2
18	AB01 2051	Gear:Idler:Pressure Roller	1
19	AE03 1062	Rear Bushing - Oil Supply Roller	1
20	B223 4181	Bracket:Oil Supply Roller	1
21	AA06 3953	Compression Spring:Oil Supply Roller	2
22	AE04 0066	Cleaning Roller - Oil Supply Roller	1
23	AE04 0069	Oil Supply Roller	1
24	AE03 1061	Front Bushing - Oil Supply Roller	1
25	B223 4240	Encoder:Ferrite Core:Change	1
26	AB01 0118	Gear:Turn:Sensor	1
27	B223 4072	Screw:Positioning Control	1
			

Index No.	Part No.	Description	Q'ty Per Assembly
100	0353 0060N	Bind Screw - M3x6	
101	0720 0040E	Retaining Ring - M4	
102	0725 0100E	Retaining Ring C - M10	
103	0725 0170E	Retaining Ring C - M17	
104	0725 0120E	Retaining Ring C - M12	

16.Fusing unit 3 (G133)

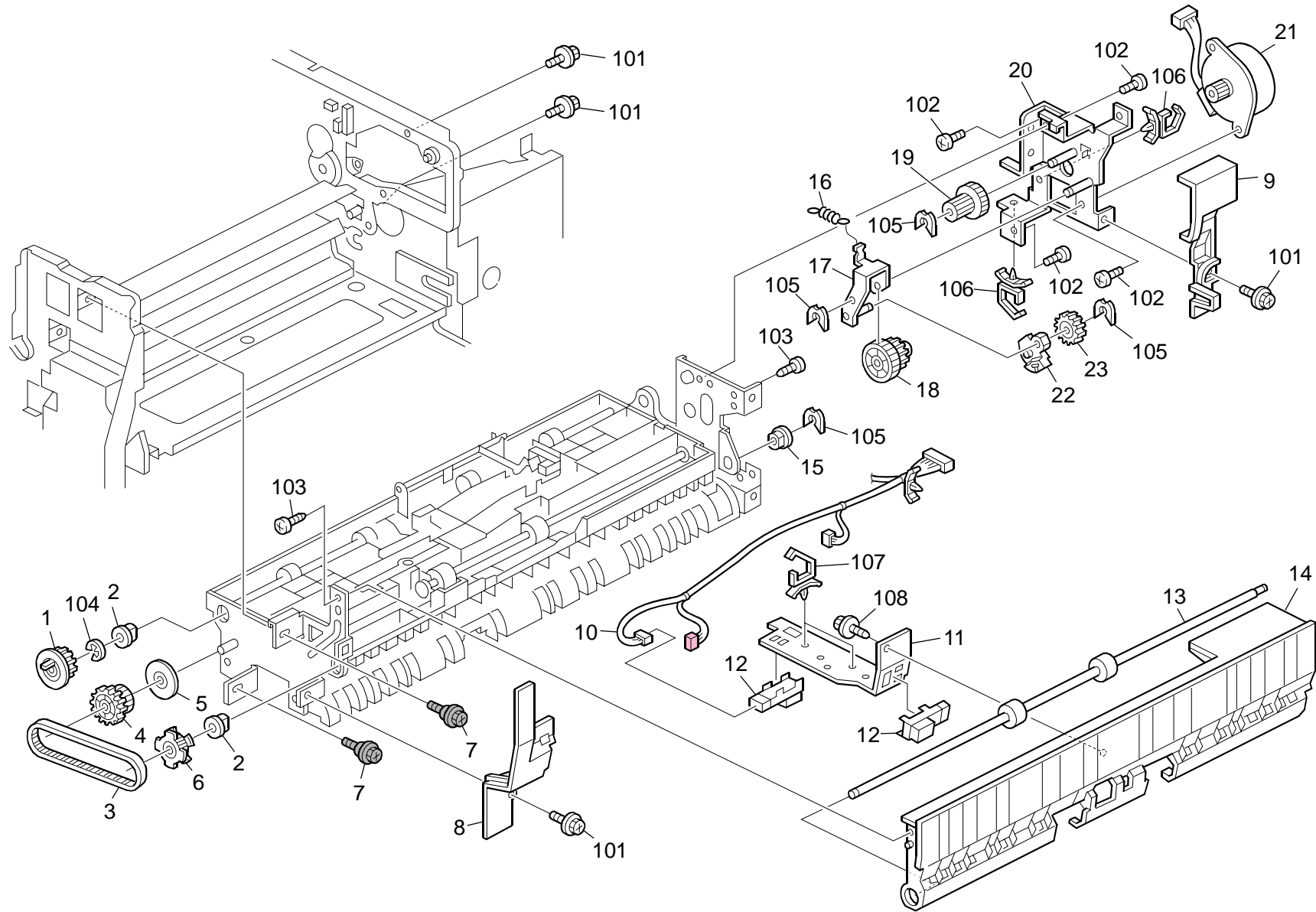


16.Fusing unit 3 (G133)

Index No.	Part No.	Description	Q'ty Per Assembly
1	AX64 0179	Fan Motor:DC24V 2.4W	1
2	G133 1336	Duct:Exit	1
3	B223 4311	Holder:Coil:Front Lower	1
4	B223 4312	Holder:Coil:Rear Lower	1
5	B223 4310	Stay:Ih:Holder	1
6	5447 2768	Stepped Screw - M3	3
7	B223 1328	Bracket:Fan:Ih	1
8	AX65 0045	Sirocco Fan:DC24V 2.6W	1
9	GW02 0020	Photointerruptor:Lg248n1	2
10	B223 4329	Bracket:Sensor:Machine Or Copier	1
11	B223 4337	Bracket:Pin	2
12	B223 4328	Bracket:Sensor:Turn	1
13	B223 4308	Bracket:Pressure:Coil	2
14	AA06 3438	Compression Spring	2
15	B223 4307	Guide:Ih:Upper	2
16	AA06 3439	Compression Spring:Lever	2
17	B223 4327	Lever:Lock:Fusing Unit	2
18	B223 4336	Supporter:Fusing Unit	2
19	B223 4301	Frame:Coil:Front	1
20	B223 4303	Frame:Coil:Rear	1
21	B223 4011	Ih Coilunit:Eu	1
21	B223 4349	Ih Coil Unit	1
22	B223 4360	Holder:Fusing Unit:Ass'y	1
23	B223 4341	Guide:Fusing Unit	1
24	B223 4397	Decal:Warning (high Temperature)	1
25	B223 4393	Decal:Warning (high Temperature):IH	1

Index No.	Part No.	Description	Q'ty Per Assembly
101	0451 3006N	Tapping Screw:3X6	
102	0451 3008N	Tapping Screw:3X8	
103	0451 3010N	Tapping Screw:3x10	
104	0353 0060N	Bind Screw - M3x6	
105	0452 3008N	Tapping Screw - M3x8	
106	0454 3006Q	Tapping Screw::3X6	
107	0353 0040N	Screw - M3X4	
108	1105 0516	Clamp:Lwsm-0511	
109	0805 0088	Retaining Ring - M6	

17.Paper Exit Section 1 (G133)

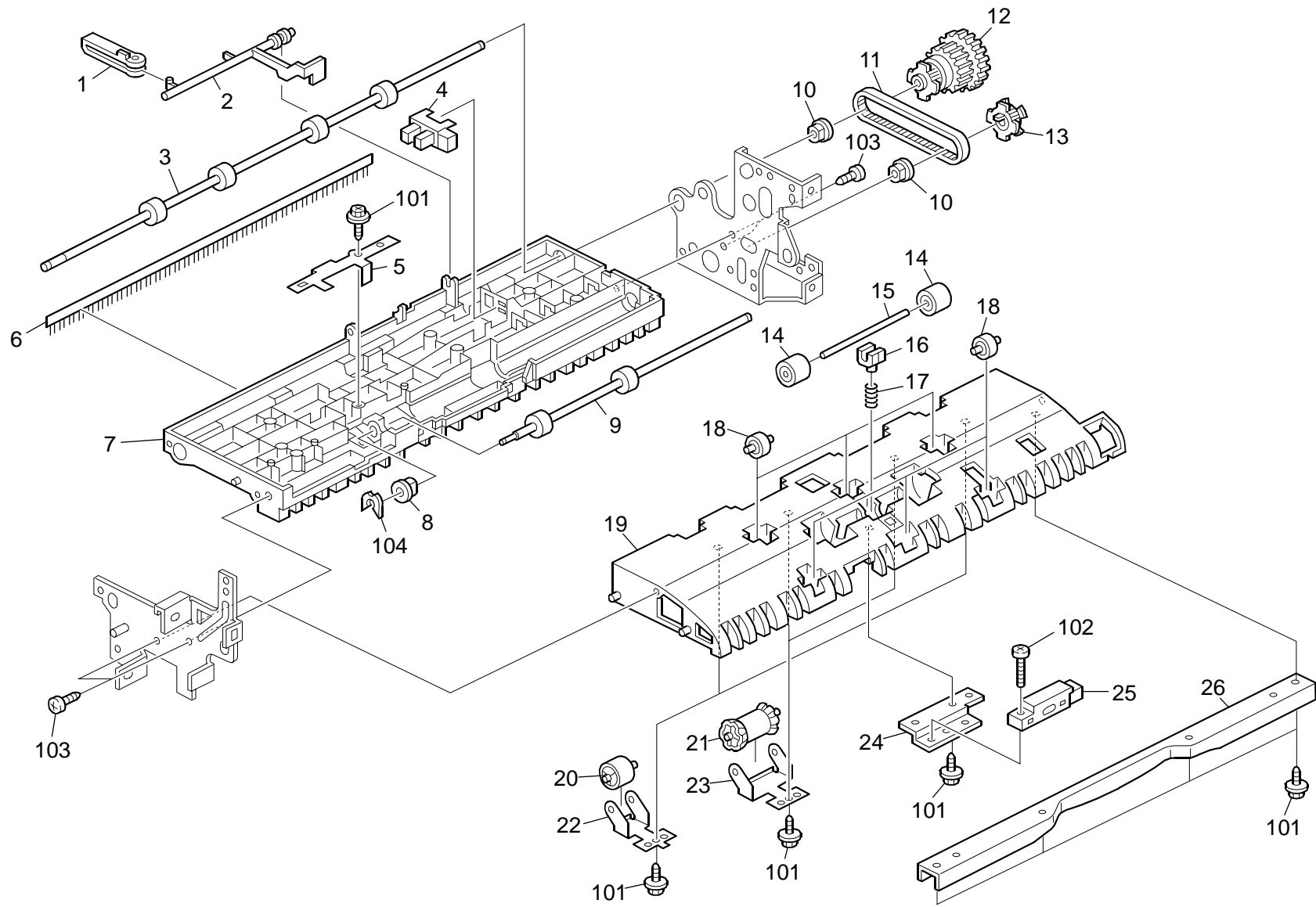


17.Paper Exit Section 1 (G133)

Index No.	Part No.	Description	Q'ty Per Assembly
1	B223 4459	Gear:18Z	1
2	AA08 2101	Bushing - 6x10x6	2
3	AA04 3969	Timing Belt:30S2M216	1
4	B223 4458	Gear:Pulley:Z18/T23	1
5	B223 4456	Spacer:Idler	1
6	B223 4464	Timing Pulley:23T	1
7	B238 4483	Screw	2
8	B223 4437	Inner Cover:Exit:Front	1
9	B223 4438	Inner Cover:Exit:Rear	1
10	B223 4439	Harness:I0B:Paper Exit Unit:C	1
11	B223 4426	Bracket:Sensor	1
12	AW01 0107	Paper Feed Sensor	2
13	B223 4454	Transport Roller:Dia18	1
14	B223 4461	Guide Plate:Upper Right	1
15	H053 2208	Bushing - M4	1
16	B223 4452	Tension Spring:1.3n	1
17	B223 4447	Bracket:Gear:Coupling	1
18	B223 4451	Gear:Z14/Z40	1
19	B223 4467	Gear:Z20/Z32	1
20	B223 4444	Bracket:Stepper Motor:Gate	1
21	B223 4441	Stepper Motor:DC24V 70.2W	1
22	B223 4468	Stopper	1
23	B223 4450	Gear:Z14	1

Index No.	Part No.	Description	Q'ty Per Assembly
101	0451 3006N	Tapping Screw:3X6	
102	0453 3006N	Tapping Screw - M3x6	
103	0452 3010N	Binding Self-tapping Screw:3x10	
104	0720 0040E	Retaining Ring - M4	
105	0805 0092	Retaining Ring - 3m	
106	1105 0516	Clamp:Lwsm-0511	
107	1105 0511	Clamp:Lwsm-0306	
108	0450 3010N	Tapping Screw - M3x10	

18.Paper Exit Section 2 (G133)

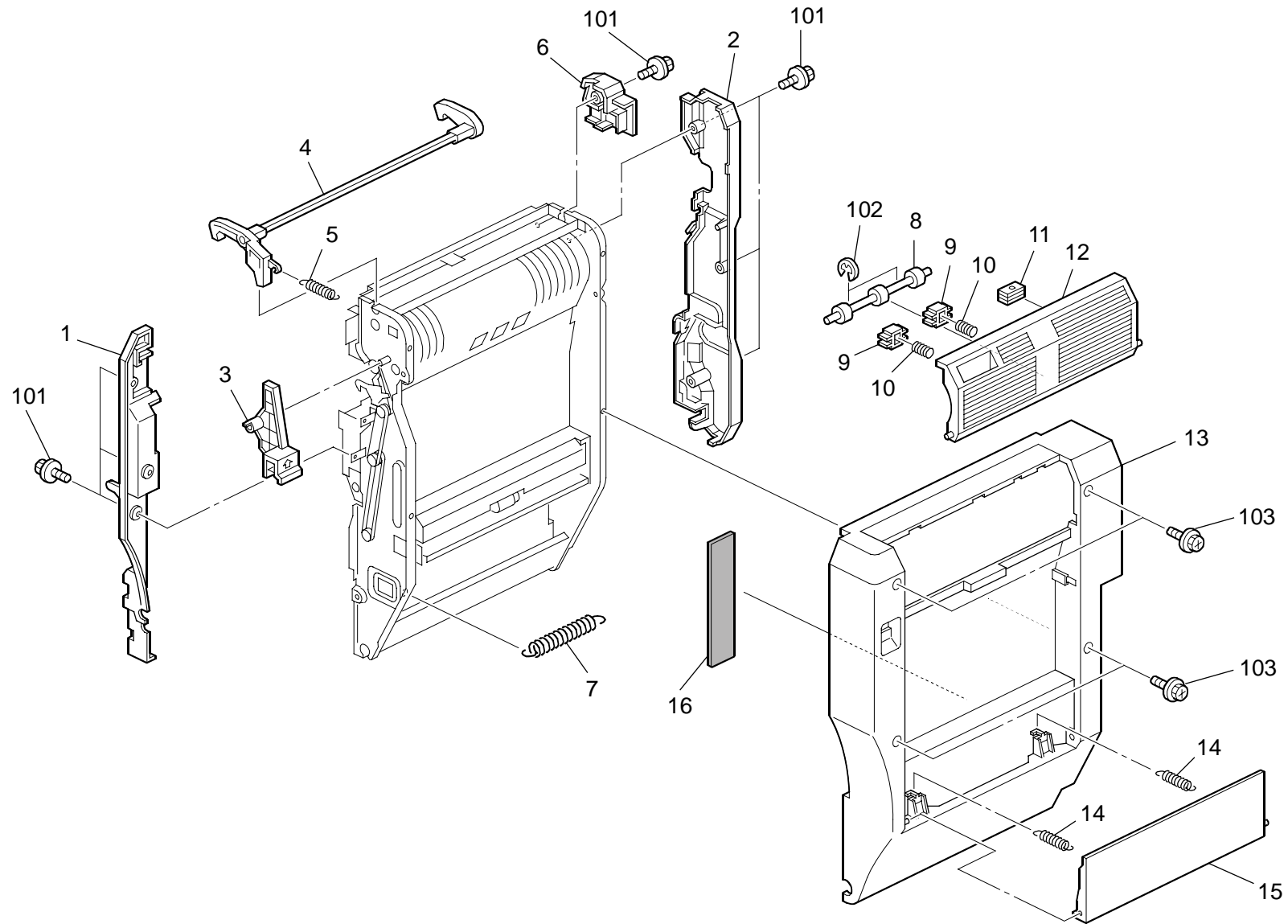


18.Paper Exit Section 2 (G133)

Index No.	Part No.	Description	Q'ty Per Assembly
1	B238 4987	Overflow Feeler	1
2	B238 4985	Overflow Feeler Shaft	1
3	B223 4453	Exit Roller	1
4	AW02 0145	Photointerruptor:Flat	1
5	B223 4427	Ground Plate:Bracket:Sensor	1
6	B223 4491	Discharge Brush:Exit	1
7	B223 4421	Guide Plate:Upper Left	1
8	H053 2208	Bushing - M4	1
9	B223 4455	Transport Roller:Auxiliary	1
10	AA08 2101	Bushing - 6x10x6	2
11	AA04 3968	Timing Belt:30S2M160	1
12	B223 4457	Gear:Pulley:Z27/T22	1
13	B223 4463	Timing Pulley:22T	1
14	B223 4435	Roller:Auxiliary:Driven:Dia16:pFA	2
15	B223 4493	Shaft:Pressure:Auxiliary	1
16	AA08 0156	Bushing - M4	1
17	B238 4458	Compression Spring - Driven Roller	1
18	B223 4428	Roller:Guide:pFa	6
19	B223 4488	Guide Plate:Lower	1
20	AF04 0567	Tension Roller	2
21	AF04 0566	Tension Roller	2
22	B238 4436	Spring Plate - Exit Roller Outer	2
23	B223 4436	Spring Plate - Exit Roller	2
24	B238 4454	Sensor Bracket	1
25	AW01 0127	Paper Feed Sensor	1
26	B223 4442	Stay:Protect	1

Index No.	Part No.	Description	Q'ty Per Assembly
101	0450 3010N	Tapping Screw - M3x10	
102	0353 0100N	Screw-m3x10	
103	0452 3010N	Binding Self-tapping Screw:3x10	
104	0805 0092	Retaining Ring - 3m	

19. Duplex Unit 1 (G133)

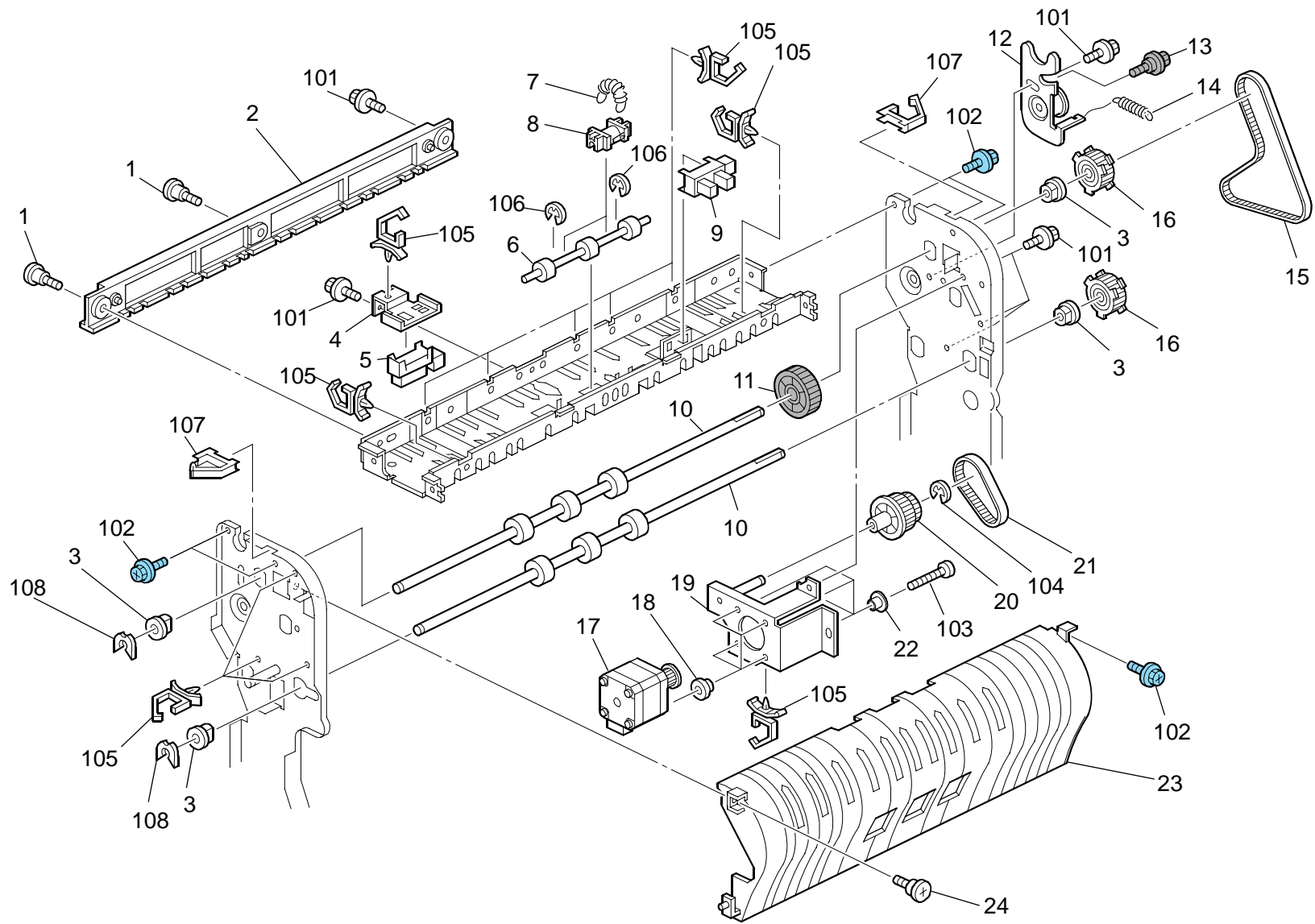


19.Duplex Unit 1 (G133)


Index No.	Part No.	Description	Q'ty Per Assembly
1	B223 4534	Inner Cover:Duplex	1
2	B223 4533	Inner Cover:Duplex:Rear	1
3	B223 4579	Grip:Open And Close:Duplex Unit	1
4	B223 4599	Hook:Stopper:Duplex Unit:Ass'y	1
5	B223 4532	Tension Spring:Hook:Stopper	1
6	B223 4482	Inner Cover:Sensor	1
7	B223 4525	Tension Spring:Wire:180n	1
8	B223 4559	Driven Roller:Dia16	1
9	AA08 0254	Bushing - M4	2
10	B223 4538	Compression Spring	2
11	AG07 0514	Magnet Catch	1
12	B223 4531	Guide Plate:Cover	1
13	B223 4540	Cover:Duplex	1
14	B223 2665	Spring:Cover:Manual Feed	2
15	B223 2664	Cover:Manual Feed:Entrance	1
16	B223 4539	Sheet:Cover:Duplex	1

Index No.	Part No.	Description	Q'ty Per Assembly
101	0451 3006N	Tapping Screw:3X6	
102	0720 0030E	Retaining Rings-E:3	
103	0451 3008N	Tapping Screw:3X8	

20. Duplex Unit 2 (G133)

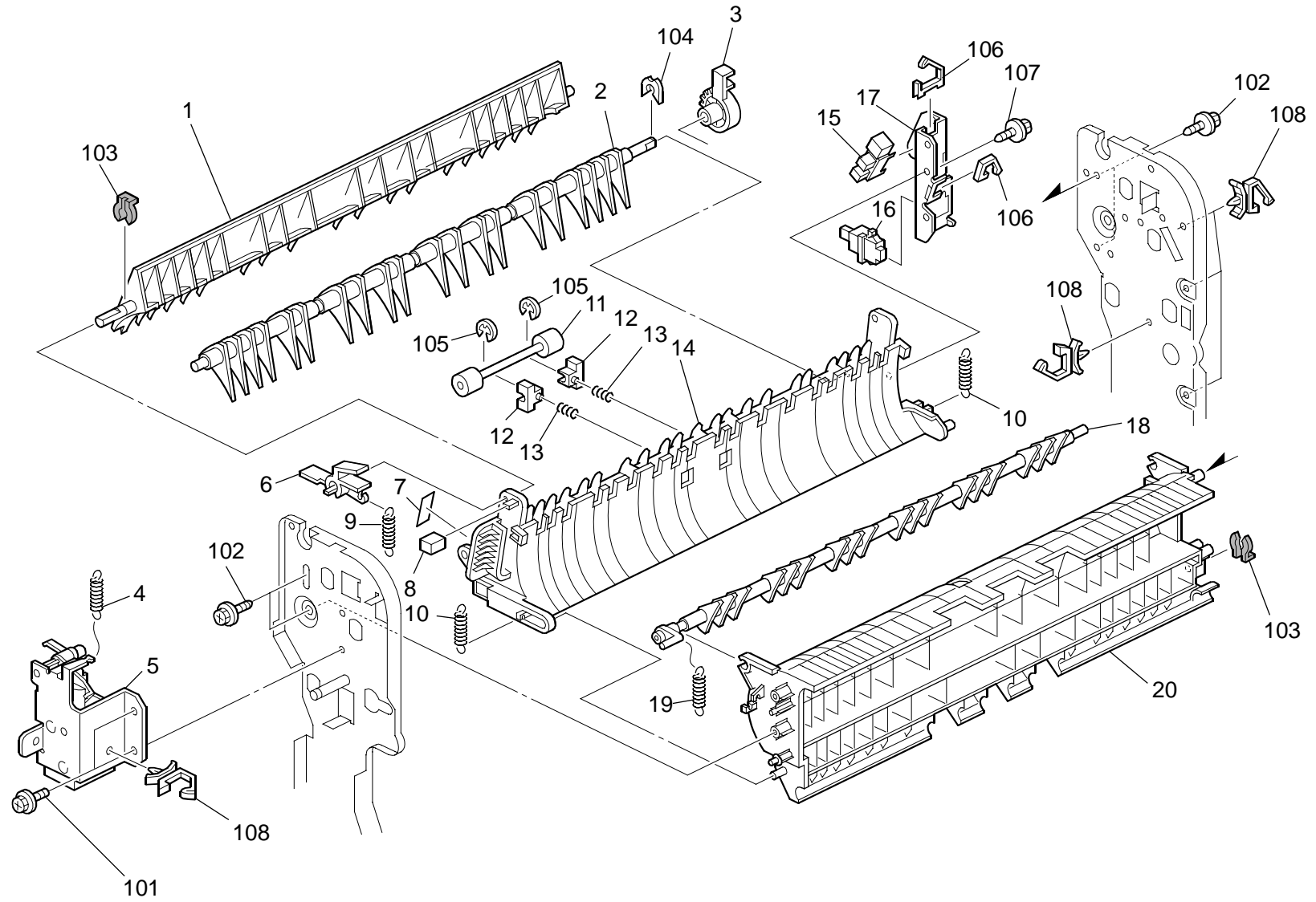


20.Duplex Unit 2 (G133)

Index No.	Part No.	Description	Q'ty Per Assembly
1	AA14 3807	Screw:A	2
2	B223 4483	Guide Plate:Upper:Gate	1
3	AA08 2104	Bushing - 8x12x7	4
4	B223 4566	Bracket:Sensor:Entrance	1
5	AW01 0107	Paper Feed Sensor	1
6	B223 4559	Driven Roller:Dia16	1
7	B223 4560	Tension Spring:Driven Roller	2
8	B223 4552	Bushing:Dia4	2
9	AW02 0145	Photointerruptor:Flat	1
10	B223 4537	Reverse Roller:Feed Paper Again	2
11	AB01 4161	Reverse Roller Gear	1
12	B223 4562	Tightener	1
13	B044 1847	Shoulder Screw	1
14	B223 4564	Spring:Tightener	1
15	B223 4526	Timing Belt:30S2M268	1
16	B223 4586	Pulley:T30	2
17	B223 4572	Stepper Motor:DC4.29V 1.7W	1
18	AA10 1021	Rubber Bushing - 6 45hs	4
19	B223 4575	Bracket:Stepper Motor	1
20	B223 4571	Gear:Pulley:Z24/T40	1
21	B223 4573	Timing Belt:30S2M128	1
22	B044 1825	Collar	4
23	B223 4501	Guide Plate:Right	1
24	5840 3022	Stopper Screw - M3	1
			

Index No.	Part No.	Description	Q'ty Per Assembly
101	0451 3006N	Tapping Screw:3X6	
102	0454 3006Q	Tapping Screw::3X6	
103	0353 0100N	Screw-m3x10	
104	0720 0040E	Retaining Ring - M4	
105	1105 0511	Clamp:Lwsm-0306	
106	0720 0030E	Retaining Rings-E:3	
107	1105 0551	Clamp:LES-0505	
108	0805 0088	Retaining Ring - M6	

21. Duplex Unit 3 (G133)



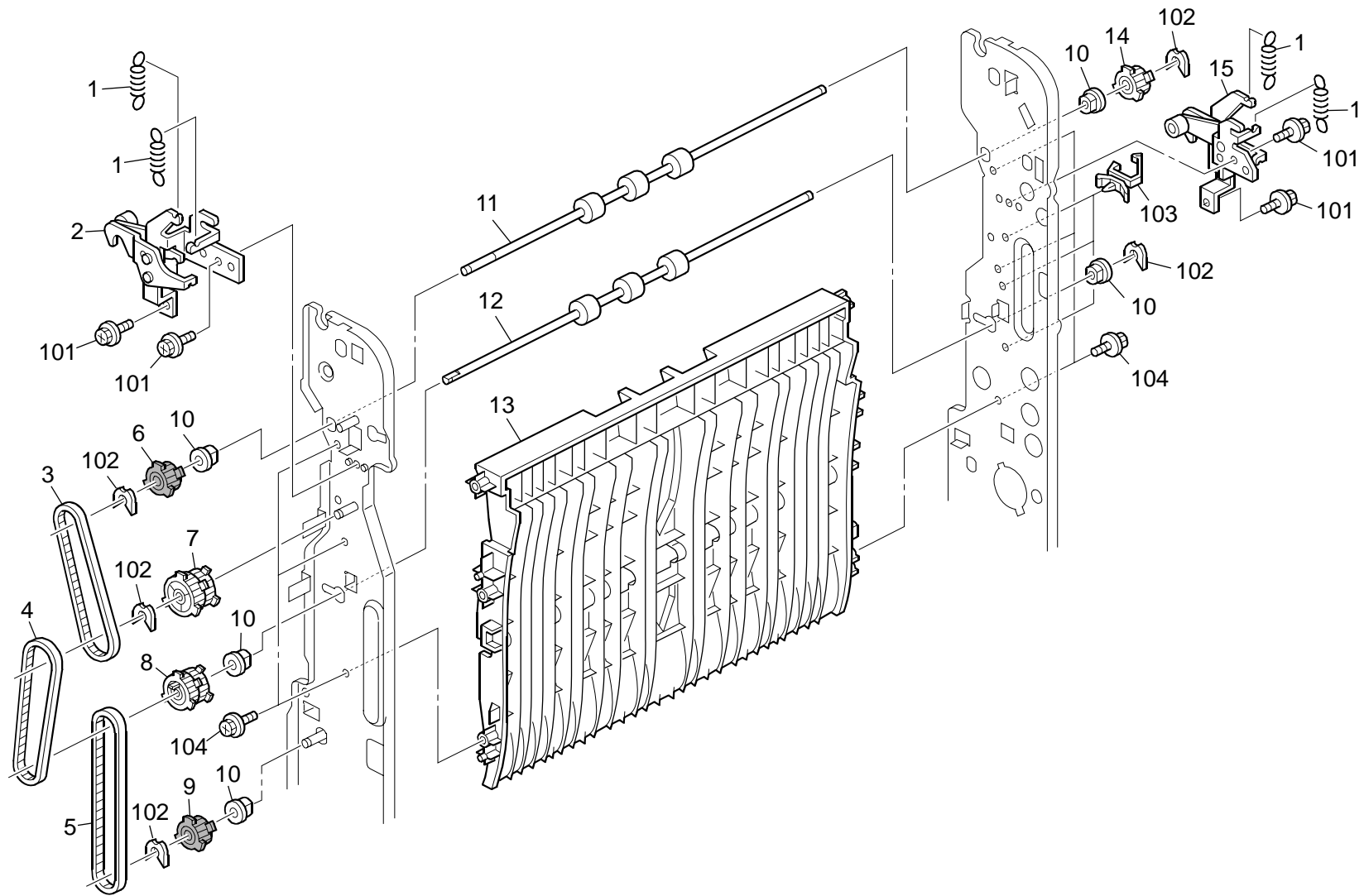
21. Duplex Unit 3 (G133)



Index No.	Part No.	Description	Q'ty Per Assembly
1	B223 4495	Gate Pawl:Upper	1
2	B223 4475	Gate Pawl:Entrance	1
3	B223 4472	Gear:21Z	1
4	B223 4584	Tension Spring:Lever	1
5	B223 4581	DC Solenoid:Duplex	1
6	B223 4477	Lever:Gate Pawl:Upper	1
7	B223 4492	Decal:Open And Close	1
8	B223 4478	Stopper:Gate Pawl:Upper	1
9	B223 4479	Tension Spring:Gate Pawl:1.6n	1
10	B223 4485	Tension Spring:10n	2
11	B223 4474	Driven Roller:Dia16	1
12	G060 4435	Bushing - M4	2
13	B223 4484	Compression Spring:Driven Roller	2
14	B223 4471	Guide Plate:Open And Close	1
15	AW02 0145	Photointerruptor:Flat	1
16	AW50 0023	Push Switch	1
17	B223 4481	Bracket:Paper Exit Unit:Rear	1
18	B223 4578	Gate Pawl:Duplex	1
19	B223 4589	Tension Spring:Gate Pawl:0.5n	1
20	B223 4503	Guide Plate:Left Upper	1

Index No.	Part No.	Description	Q'ty Per Assembly
101	0451 3006N	Tapping Screw:3X6	
102	0450 3008N	Tapping Screw - M3x8	
103	0805 0097	Ring Separator	
104	0805 0089	Retaining Ring - M4	
105	0720 0030E	Retaining Rings-E:3	
106	1105 0551	Clamp:LES-0505	
107	0450 3010N	Tapping Screw - M3x10	
108	1105 0511	Clamp:Lwsm-0306	

22.Duplex Unit 4 (G133)

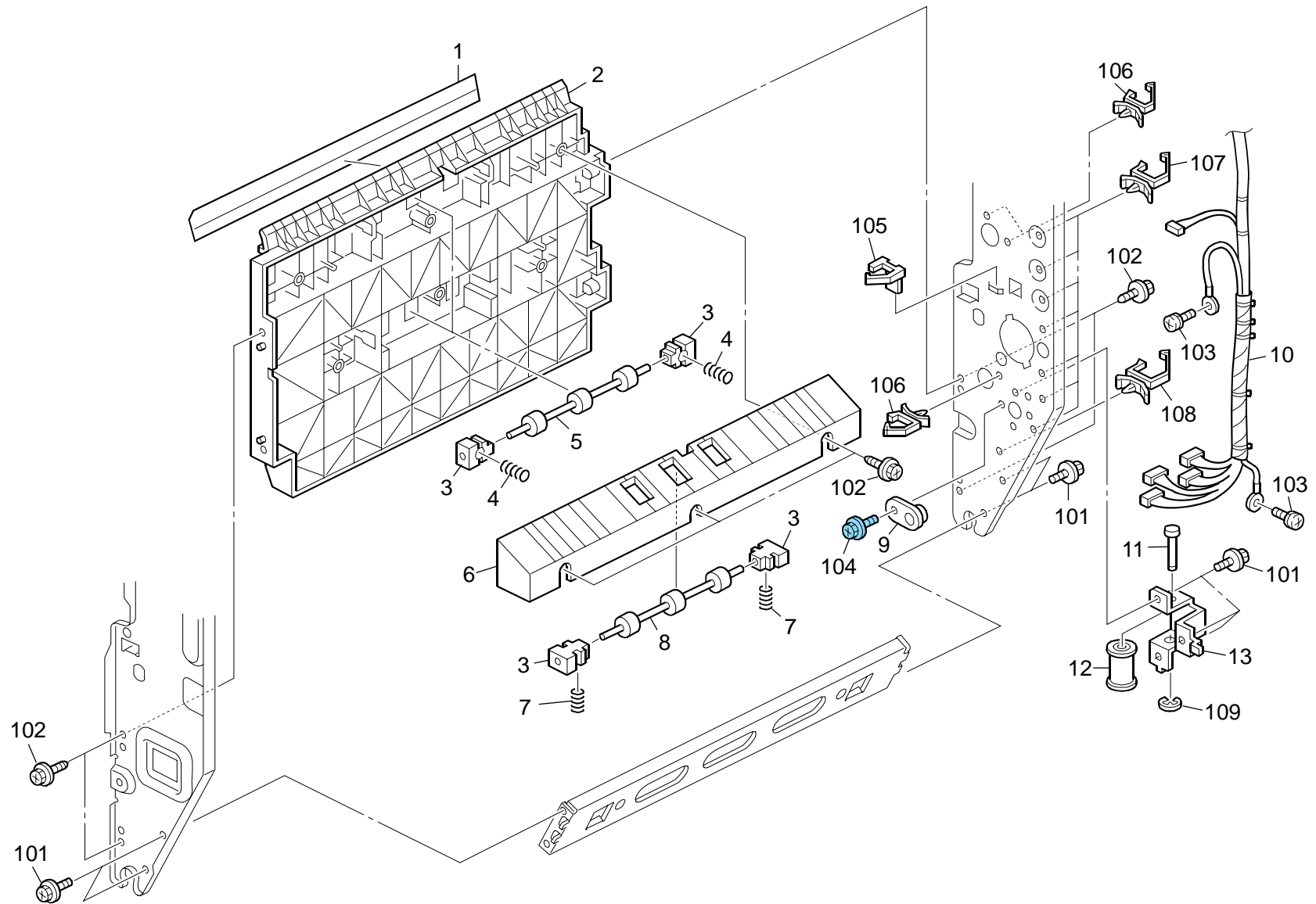


22.Duplex Unit 4 (G133)

Index No.	Part No.	Description	Q'ty Per Assembly
1	AA06 1013	Tension Spring:Arm:Duplex	4
2	B223 4321	Arm:Front	1
3	B223 4512	Timing Belt:30S2M182	1
4	B223 4536	Timing Belt:30S2M234	1
5	B223 4511	Timing Belt:30S2M312	1
6	B223 4529	Roller Clutch:T24	1
7	B223 4544	Pulley:T35/T33	1
8	B223 4527	Pulley:T26/T24	1
9	B223 4535	Roller Clutch:T26	1
10	AA08 2101	Bushing - 6x10x6	5
11	B223 4513	Transport Roller:No.1	1
12	B223 4543	Transport Roller:No.2	1
13	B223 4502	Guide Plate:Left Lower	1
14	B223 4514	Roller Clutch:T24	1
15	B223 4320	Arm:Rear	1

Index No.	Part No.	Description	Q'ty Per Assembly
101	0451 3006N	Tapping Screw:3X6	
102	0805 0089	Retaining Ring - M4	
103	1105 0511	Clamp:Lwsm-0306	
104	0450 3008N	Tapping Screw - M3x8	

23. Duplex Unit 5 (G133)

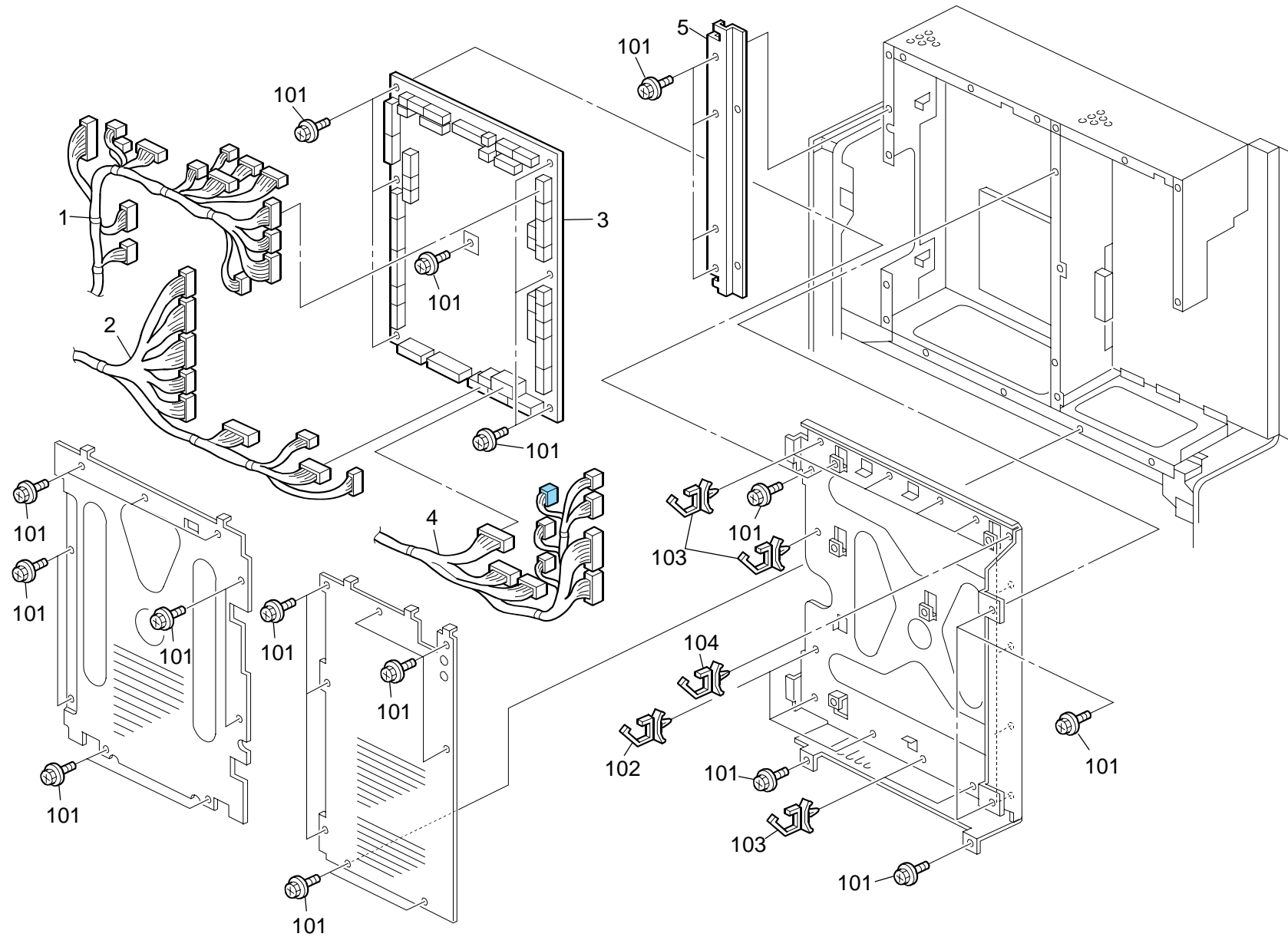


23.Duplex Unit 5 (G133)

Index No.	Part No.	Description	Q'ty Per Assembly
1	B223 2677	Sheet - Transport Sub-unit	1
2	B223 2675	Guide Plate - Vertical Transport	1
3	G060 2652	Bushing - M4	6
4	B223 2676	Spring - 11n	4
5	AF02 0646	Vertical Transport Roller	2
6	B223 2648	Guide Plate:Transport Unit:Exit	1
7	B223 2649	Spring:Pressure:5n	2
8	B223 2641	Roller:Driven:Dia16	1
9	B223 4522	Spacer:Wire:Stopper	1
10	B223 4587	Harness:Duplex Md	1
11	B223 4594	Shaft:Pulley:Wire	1
12	B223 4595	Pulley:DIA13	1
13	B223 4596	Bracket:Shaft:Pulley:Wire	1

Index No.	Part No.	Description	Q'ty Per Assembly
101	0451 3006N	Tapping Screw:3X6	
102	0450 3008N	Tapping Screw - M3x8	
103	0801 0149	Philips Pan Head Screw - M4x6	
104	0454 3006Q	Tapping Screw::3X6	
105	1105 0568	Clamp:LWSS-0504	
106	1105 0511	Clamp:Lwsm-0306	
107	1105 0516	Clamp:Lwsm-0511	
108	1105 0508	Harness Clamp - LWS-0711	
109	0720 0040E	Retaining Ring - M4	

24. Electrical Section 1 (G133)

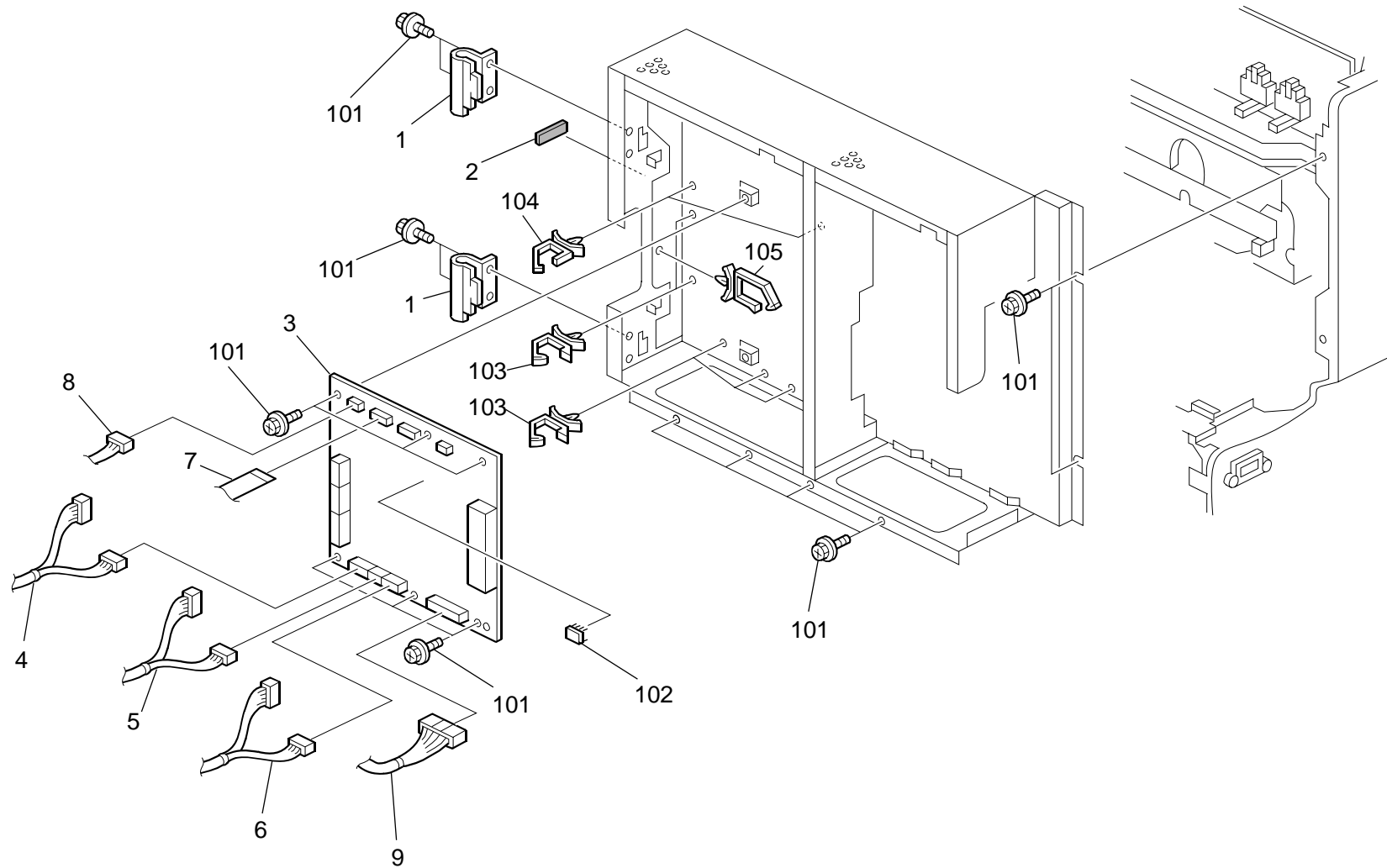


24.Electrical Section 1 (G133)

Index No.	Part No.	Description	Q'ty Per Assembly
1	B223 5302	Harness:IOB:Main:Upper	1
2	B222 5300	Harness:IOB:Main:Lower	1
3	B223 5120	PCB:IOB:AP-C1/P1	1
4	B223 5301	Harness:IOB:Main:Middle	1
5	B223 5816	Plate:Rack:Auxiliary:Right	1

Index No.	Part No.	Description	Q'ty Per Assembly
101	0451 3006N	Tapping Screw:3X6	
102	1105 0490	Clamp:Lws-2218Z	
103	1105 0489	Clamp:Lws-1316Z	
104	1105 0487	Clamp:Lws-0511Z	

25.Electrical Section 2 (G133)

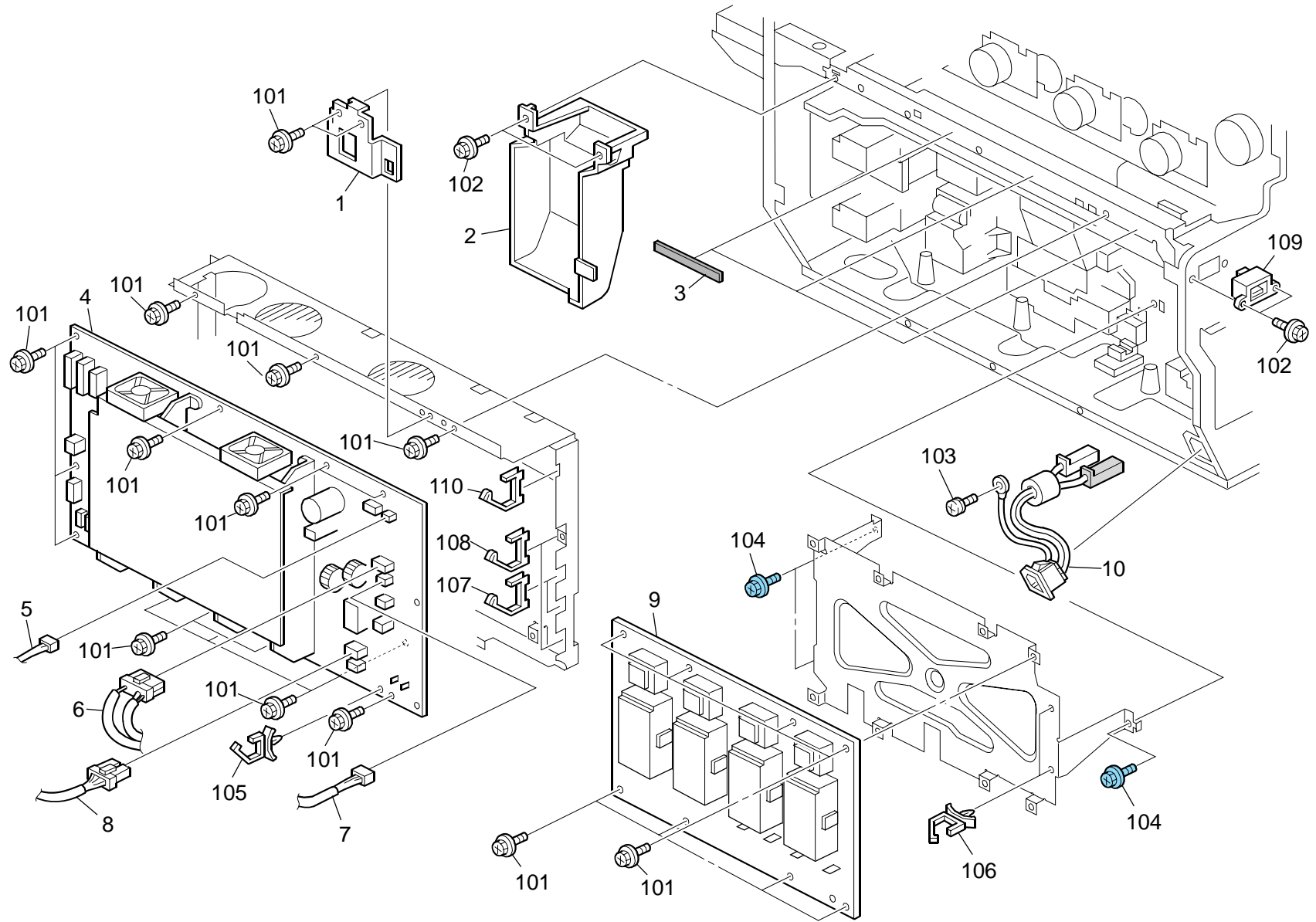


25.Electrical Section 2 (G133)


Index No.	Part No.	Description	Q'ty Per Assembly
1	B223 5812	Hinge:Panel:Control Board	2
2	B223 5863	Gasket:Egun1-0205:L23	1
3	G133 5162	PCB:EGB:AP-P:ASS'Y	1
4	B223 5244	Harness:IPU:LD-Signal:2LD	1
5	B223 5246	Harness:IPU:LD-Data:2LD	1
6	B223 5248	Harness:IPU:Sync Detector:Mirror	1
7	G133 5327	Harness:IOB:EGB	1
8	G133 5328	Harness:EGB:TM/P:Sensor	1
9	G133 5343	Harness:Power Supply Unit	1

Index No.	Part No.	Description	Q'ty Per Assembly
101	0451 3006N	Tapping Screw:3X6	
102	1407 6362	EEPROM:Br24I64-W	
103	1105 0488	Harness Clamp	
104	1105 0516	Clamp:Lwsm-0511	
105	1105 0490	Clamp:Lws-2218Z	

26.Electrical Section 3 (G133)

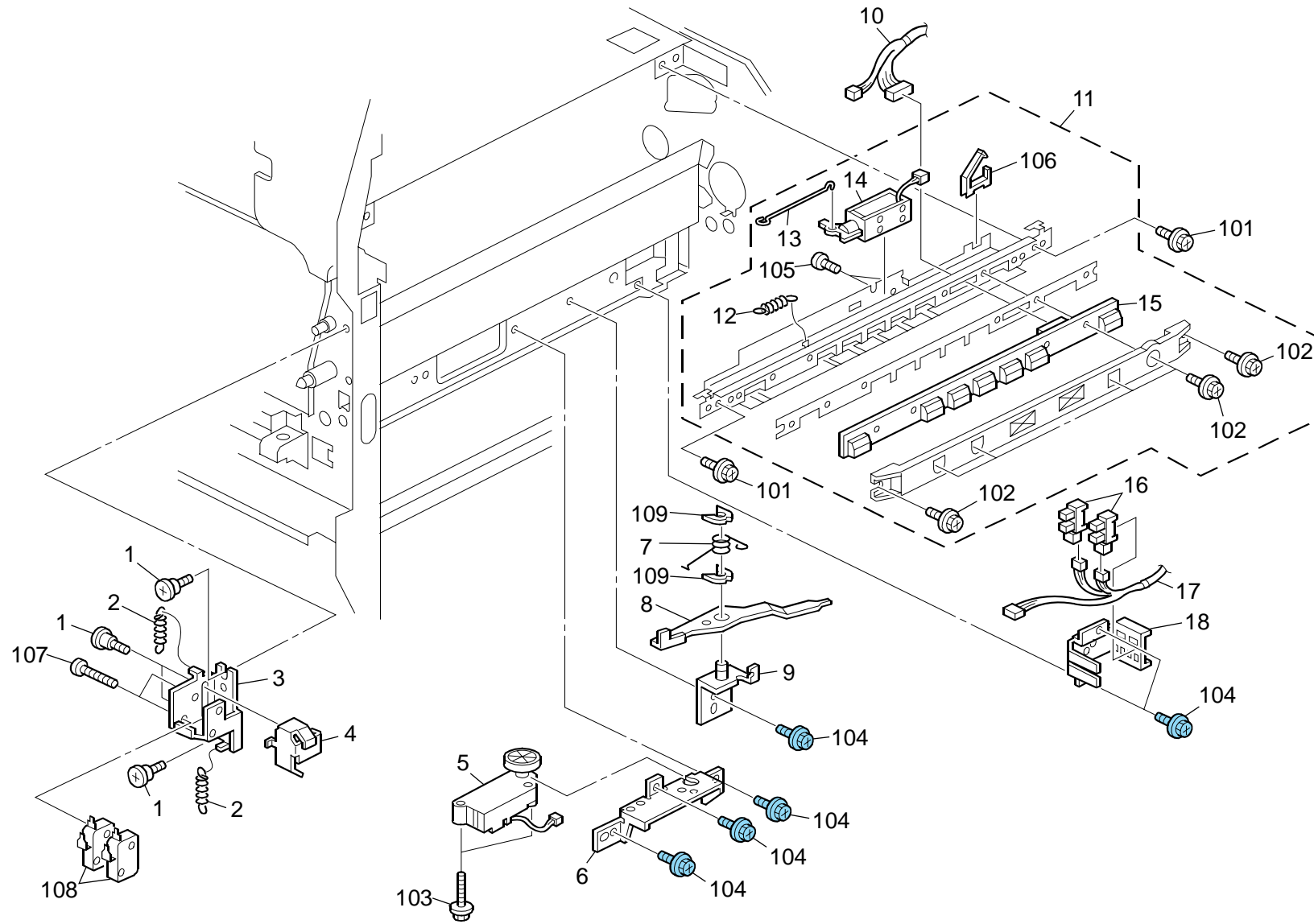


26.Electrical Section 3 (G133)

Index No.	Part No.	Description	Q'ty Per Assembly
1	B223 5857	Bracket:Sw:Dehumidifier:Heater:EXP	1
2	B223 1239	Duct:Rear:Lower	1
3	B223 5861	Gasket:Etnw100-00505:L90	3
4	AZ24 0109	Power Supply Unit:494W:DOM/NA	1
4	AZ24 0110	Power Supply Unit:494W:EU/AA:APO-C1	1
5	B223 5336	Harness:PSU:JIGU	1
6	G133 5346	Harness:Power Supply Unit	1
7	B223 5332	Harness:PSU:SW:NA	1
8	B223 5331	Harness:AC:IH:Power Supply Unit	1
8	B223 5338	Harness:AC:IH:Power Supply Unit:EU	1
9	AZ32 0165	Power Pack:CB:APO-C/P:-80mic	1
10	B223 5333	Harness:AC:Inlet	1
			

Index No.	Part No.	Description	Q'ty Per Assembly
101	0451 3006N	Tapping Screw:3X6	
102	0451 3008N	Tapping Screw:3X8	
103	0954 4008N	Screw - M4X8	
104	0454 3006Q	Tapping Screw::3X6	
105	1105 0488	Harness Clamp	
106	1105 0487	Clamp:Lws-0511Z	
107	1105 0614	Clamp - EDS-1710L-V0	
108	1105 0613	Clamp:EDS-1010L-V0	
109	1102 8502	Connector - 54679-1615	
110	1105 0612	Clamp:EDS-0704L-V0	

27.Electrical Section 4 (G133)

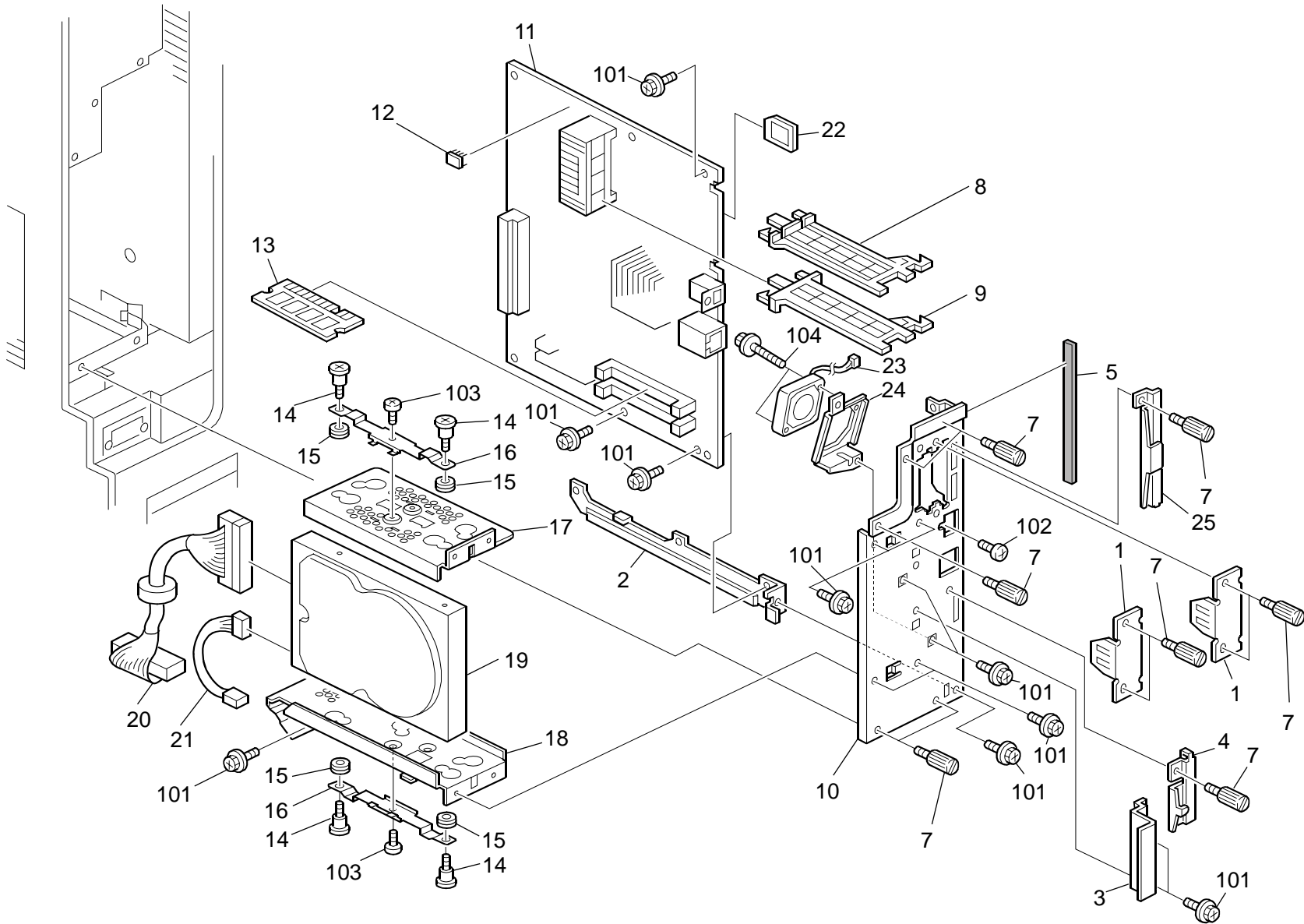


27.Electrical Section 4 (G133)

Index No.	Part No.	Description	Q'ty Per Assembly
1	AA14 3520	Screw:M3	3
2	AA06 3568	Spring:Pressure:Pickup	2
3	B223 5813	Bracket:Safety Switch	1
4	B223 5814	Bracket:Lever:Safety Switch	1
5	B223 1213	DC Motor:Shutter:Unit:DC24V 3.6W	1
6	B223 1212	DC Motor Bracket	1
7	B223 1224	Torsion Spring	1
8	B223 1225	Shutter Link	1
9	B223 1221	Sensor Link Bracket	1
10	B223 5309	Harness:IOB:Connecting:TM/P:Sensor	1
11	B223 5876	Density Sensor:Ass'Y	1
12	AA06 0151	Tension Spring:Shutter:Sensor:TM	1
13	B238 5867	Hook:Solenoid:Sensor:TM	1
14	B238 5875	Dc Solenoid:Shutter:Density Sensor:Ass'Y	1
15	B223 6395	Density Sensor	1
16	GW02 0020	Photointerruptor:Lg248nl1	2
17	B223 5313	Harness:IOB:Ld Unit:Shutter	1
18	B223 1227	Sensor Shutter Bracket	1

Index No.	Part No.	Description	Q'ty Per Assembly
101	0451 3006N	Tapping Screw:3X6	
102	0451 3008N	Tapping Screw:3X8	
103	0451 3025N	Tapping Screw:M3x25	
104	0454 3006Q	Tapping Screw::3X6	
105	0312 5040N	Pan Head Screw!M2.5X4	
106	1105 0612	Clamp:Eds-0704L-V0	
107	0353 0250N	Screw:M3X25	
108	1204 2709	Switch:V-5F930Dn	
109	0805 0088	Retaining Ring - M6	

28.Electrical Section 5 (G133)

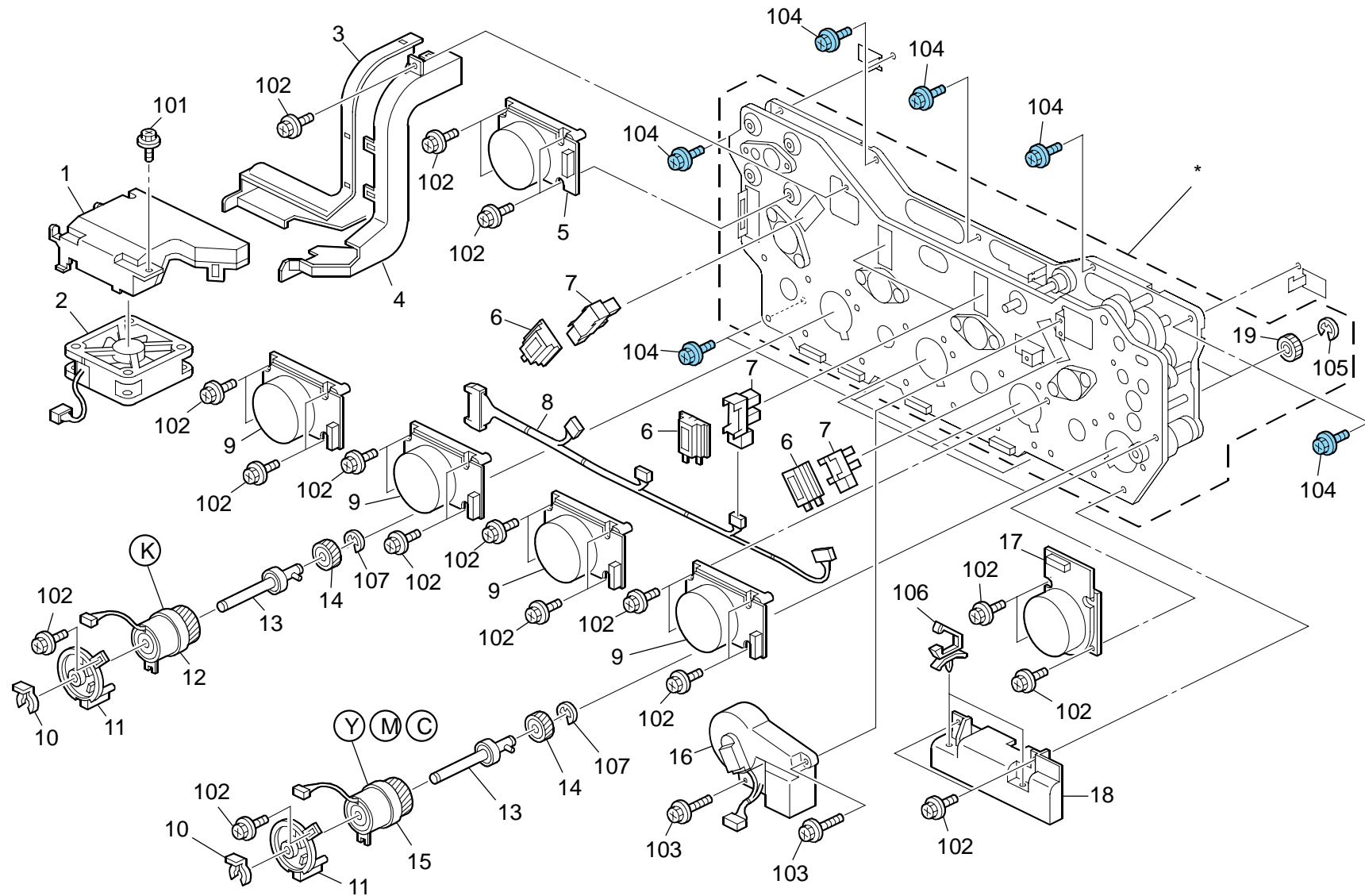


28.Electrical Section 5 (G133)

Index No.	Part No.	Description	Q'ty Per Assembly
1	B154 5869	Panel:Interface:Secc	2
2	G133 5822	Supporter:Lower	1
3	B223 5823	Grip:Rack:Left Lower	1
4	G133 5863	Cover:Sd-card:P1:Lower	1
5	B223 5862	Gasket:Egun1-0105:L240	1
7	G104 5141	Knob Screw:M3	7
8	G133 5795	Rail:Right	1
9	G133 5796	Rail:Left	1
10	G133 5821	Rack:Auxiliary:Left Lower:P1d	1
11	G133 5701	PCB:Type-JBX4	1
12	1407 6465	Ram:Fm25l256-pg(rev.ag)	1
13	G332 5730	PCB:SDRAM-DIMM:256Mb:CHN:Ass'y	1
14	AA14 3499	Stepped Screw	4
15	AA16 1162	Bushing:HDD	4
16	B223 5877	Spring Plate:Screw:HDD	2
17	B223 5825	Bracket:Insulator:HDD:Upper	1
18	B223 5826	Bracket:Insulator:HDD	1
19	B179 5995	HDD:Hitachi:40gb:Path-kai:Rohs	1
20	G874 5801	Harness:HDD	1
21	G133 5797	Harness:HDD:Power Source:Apd	1
22	G133 5740	SD-Card	1
23	B237 5721	Fan Motor - Mm42x10.5 DC5V	1
24	G133 5827	Bracket:Fan:Control Board:P1	1
25	G133 5862	Cover:SD-Card:P1:Upper	1

Index No.	Part No.	Description	Q'ty Per Assembly
101	0451 3006N	Tapping Screw:3X6	
102	0353 0060N	Bind Screw - M3x6	
103	0353 0030N	Screw:M3X3	
104	0451 3016N	Tapping Screw - 3x16	

29. Drive Section 1 (G133)

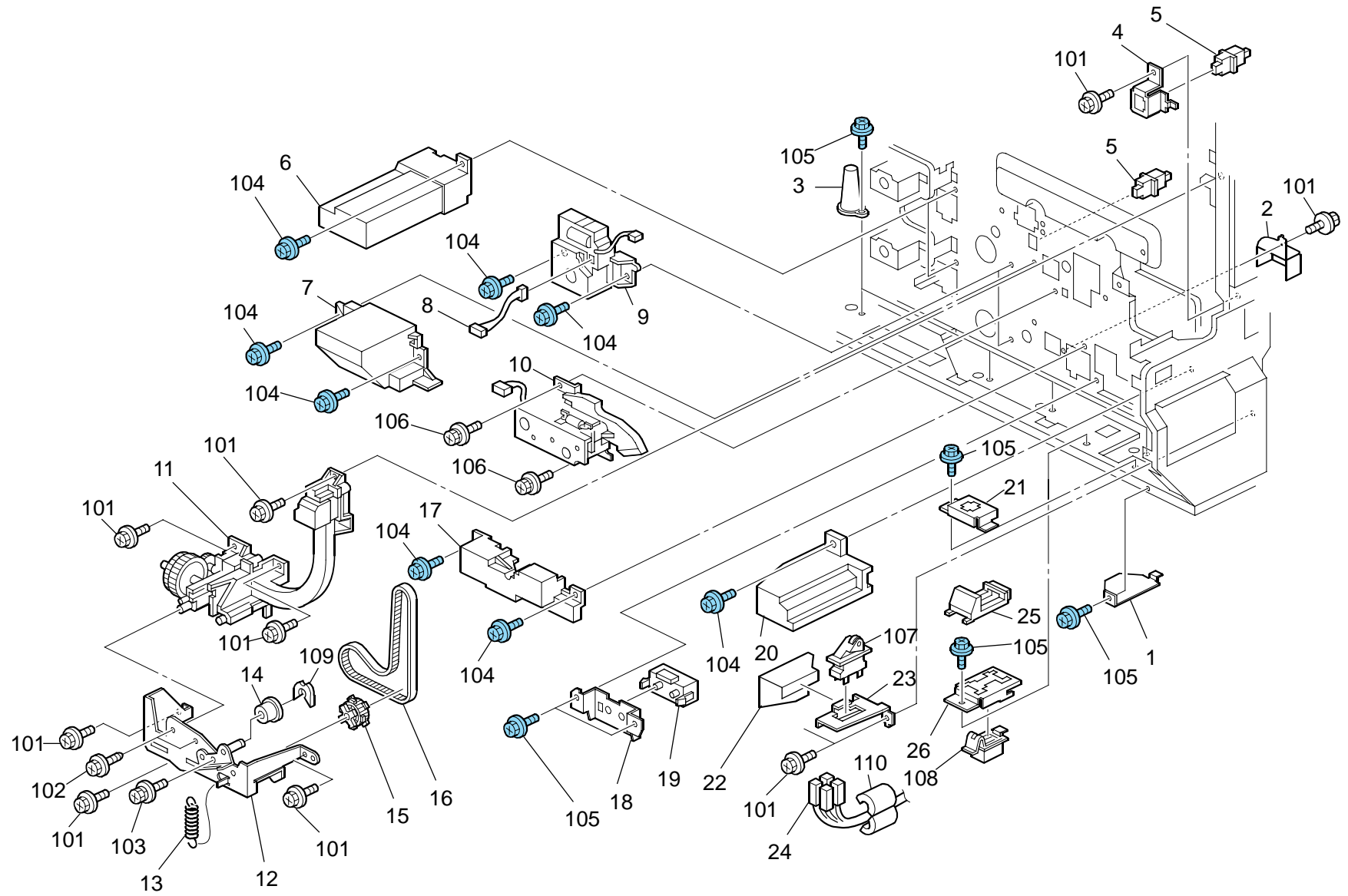


29.Drive Section 1 (G133)

Index No.	Part No.	Description	Q'ty Per Assembly
*	B223 1125	Drive Unit	1
1	B223 1236	Duct:Rear:1	1
2	AX64 0179	Fan Motor:DC24V 2.4W	1
3	B223 1238	Duct:Rear:3	1
4	B223 1237	Duct:Rear:2	1
5	AX05 0249	Brushless Motor DC24V8W	1
6	B223 1144	Holder:Positioning Sensor	3
7	AW02 0145	Photointerruptor:Flat	3
8	B223 5350	Harness:IOB:Connecting:Drum:Sensor	1
9	AX06 0308	Brushless Motor:DC24V 25W	4
10	AA10 0015	Snap Ring - M6	4
11	B223 1370	Holder:Magnetic Clutch	4
12	AX20 0300	Magnetic Clutch:0.5n.m	1
13	B223 1148	Shaft:Development	4
14	AB01 0367	Gear - 23Z	4
15	AX20 0299	Magnetic Clutch:0.5n.m	3
16	B223 1199	DC Motor 24V	1
17	GX06 0015	Brushless Motor:Drive:Paper Feed	1
18	B223 1364	Guide:Harness	1
19	AB01 0368	Gear - 45Z	4

Index No.	Part No.	Description	Q'ty Per Assembly
101	0451 3006N	Tapping Screw:3X6	
102	0360 3006N	Screw:M3X6	
103	0360 3016N	Screw - M3X16	
104	0454 3006Q	Tapping Screw::3X6	
105	0720 0060E	Retaining Ring - M6	
106	1105 0516	Clamp:Lwsm-0511	
107	0720 0040E	Retaining Ring - M4	

30.Drive Section 2 (G133)



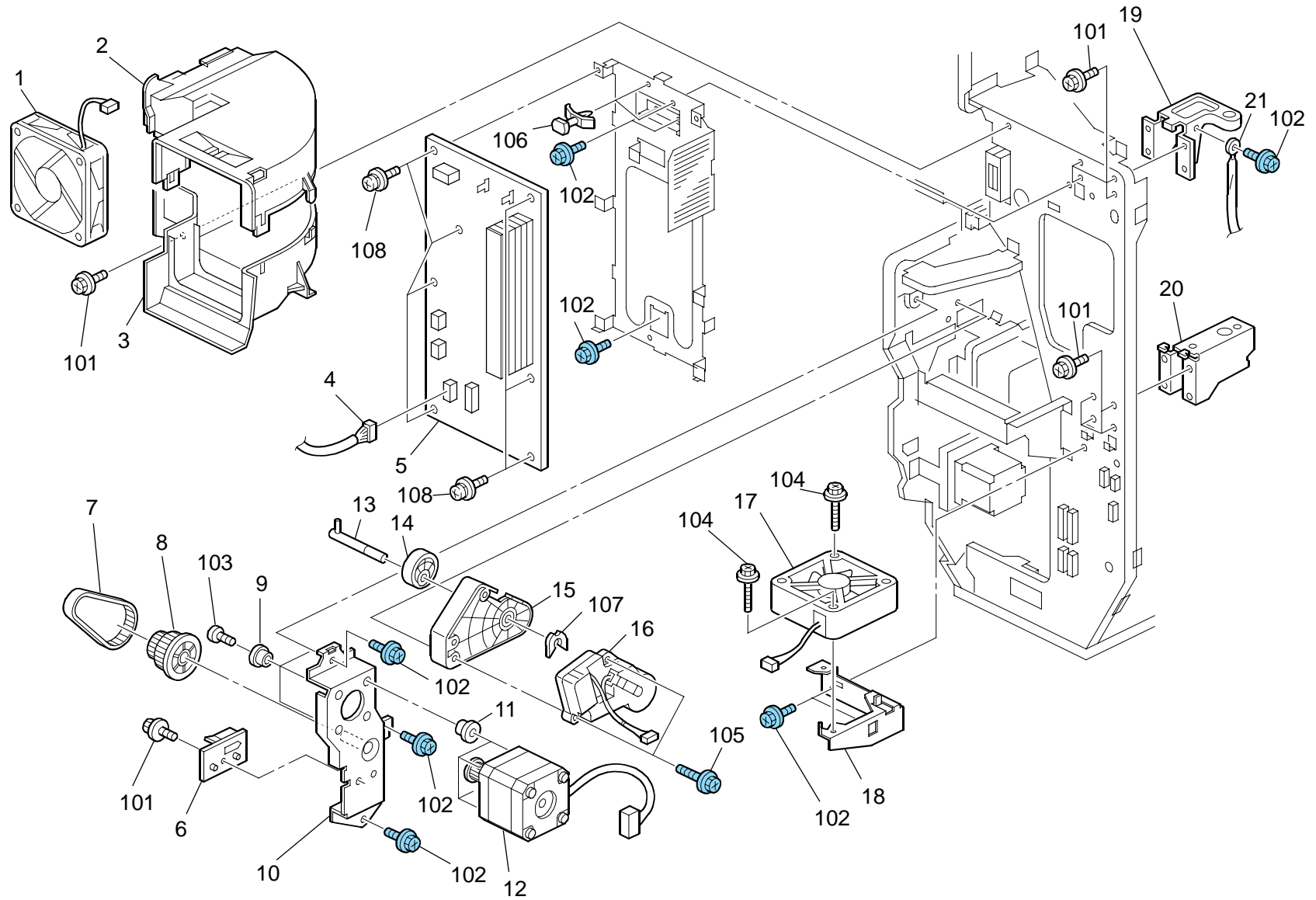
30.Drive Section 2 (G133)

Index No.	Part No.	Description	Q'ty Per Assembly
1	B223 5849	Cover:Connector:Heater	1
2	B223 2727	Cover - Connector	1
3	B238 1089	Cover - Positioning Pin	4
4	B223 6507	Set Sensor Bracket	1
5	AW50 0023	Push Switch	2
6	B238 2541	Tray Cover - Right	2
7	B238 2544	Tray Cover - Middle	1
8	B238 5325	Harness - Paper Volume Sensor	2
9	AX04 0154	DC Motor 24V	2
10	B223 2730	Paper Tray Stopper Ass'y	1
11	B223 6481	Rear Pipe Ass'y	1
12	B223 1174	Drive Unit:Collection Bottle	1
13	AA06 0722	Tension Spring	1
14	AB03 0551	Pulley:Idler:FUSING	1
15	AB03 0783	Pulley - 34T	1
16	AA04 3583	Timing Belt - S2M460	1
17	B223 2722	Cover	1
18	B223 2721	Bracket:Push Switch	1
19	AW50 0038	Push Switch:Paper Size Sensor	1
20	B238 2543	Cover - Tray Left	1
21	B223 5848	Bracket:Base:Connector	1
22	B238 5828	Sheet:Main Switch	1
23	B238 5827	Bracket:Main Switch	1
24	B223 5330	Harness:AC:Switch	1
25	B238 1088	Cover - Connector	1
26	B223 1065	Connector Bracket	1

Index No.	Part No.	Description	Q'ty Per Assembly
101	0451 3006N	Tapping Screw:3X6	
102	0450 3008N	Tapping Screw - M3x8	
103	0801 0231	Hexagonal Head Bolt W/washer:M3x6	
104	0454 3008Q	Tapping Screw:3x8	
105	0454 3006Q	Tapping Screw::3X6	
106	0802 5299	Tapping Screw - M3x8	
107	1204 2704	Switch:Rs1A-Ab11	
108	1102 8534	Connector - QR/P17-14S-B	
109	0805 0089	Retaining Ring - M4	
110	1607 0623	Ferrite Core - Tfc-16-8-13	



31.Drive Section 3 (G133)

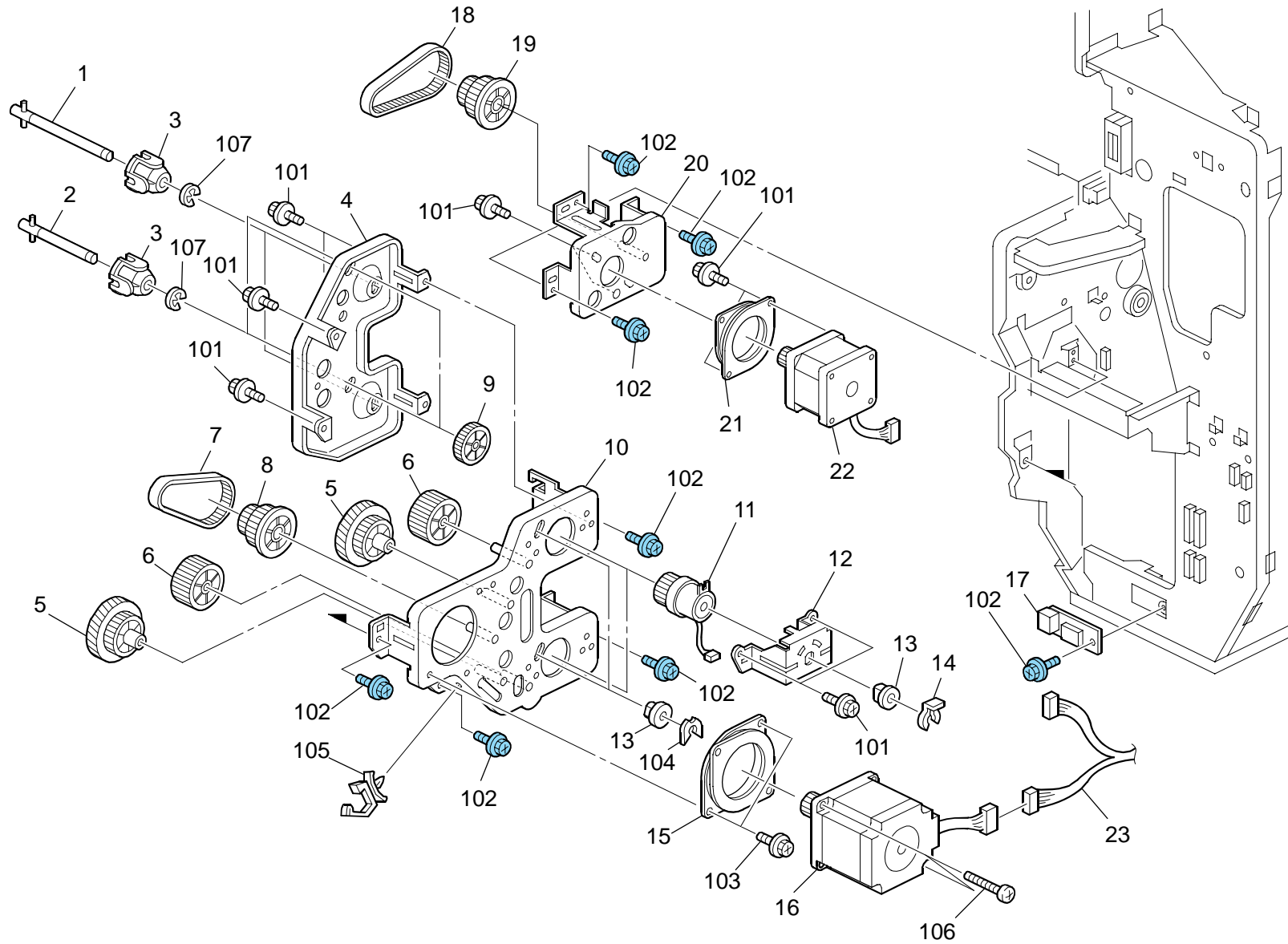


31. Drive Section 3 (G133)

Index No.	Part No.	Description	Q'ty Per Assembly
1	GX64 0020	Fan Motor - DC24V	1
2	B223 1326	Duct:Fusing	1
3	B223 1327	Duct:Fusing:Rear	1
4	B223 5305	Harness:IOB:Connecting:IH	1
5	B223 5172	Invertor:IH:EU	1
5	B223 5170	Invertor:IH	1
6	B223 2694	Guide:Gear	1
7	B700 2649	Timing Belt:40S2M144	1
8	AB01 7493	Gear Pulley	1
9	B044 1825	Collar	4
10	B223 2691	Bracket:Stepper Motor	1
11	AA10 1021	Rubber Bushing - 6 45hs	4
12	B223 2685	Stepper Motor:DC24V 26.4W	1
13	B238 1225	Shaft	1
14	B238 1226	Cam	1
15	B238 1223	Holder	1
16	B223 1199	DC Motor 24V	1
17	B223 1332	Fan Motor - Mm60 DC24V	1
18	B223 5844	Bracket:Fan:Power Source:IH	1
19	B223 5841	Hinge:Application:Rack	1
20	B223 5843	Bracket:Rack:Application	1
21	B223 5866	Ground Wire:Rack:Right Lower:HF	1

Index No.	Part No.	Description	Q'ty Per Assembly
101	0451 3006N	Tapping Screw:3X6	
102	0454 3006Q	Tapping Screw:3X6	
103	0353 0080N	Screw:M3X8	
104	0451 3030N	Tapping Screw:3x30	
105	0802 5304	Tapping Screw - M3x30	
106	1105 0641	PCB-6S-V0	
107	0805 0089	Retaining Ring - M4	
108	0951 3006N	Screw - M3X6	

32. Drive Section 4 (G133)



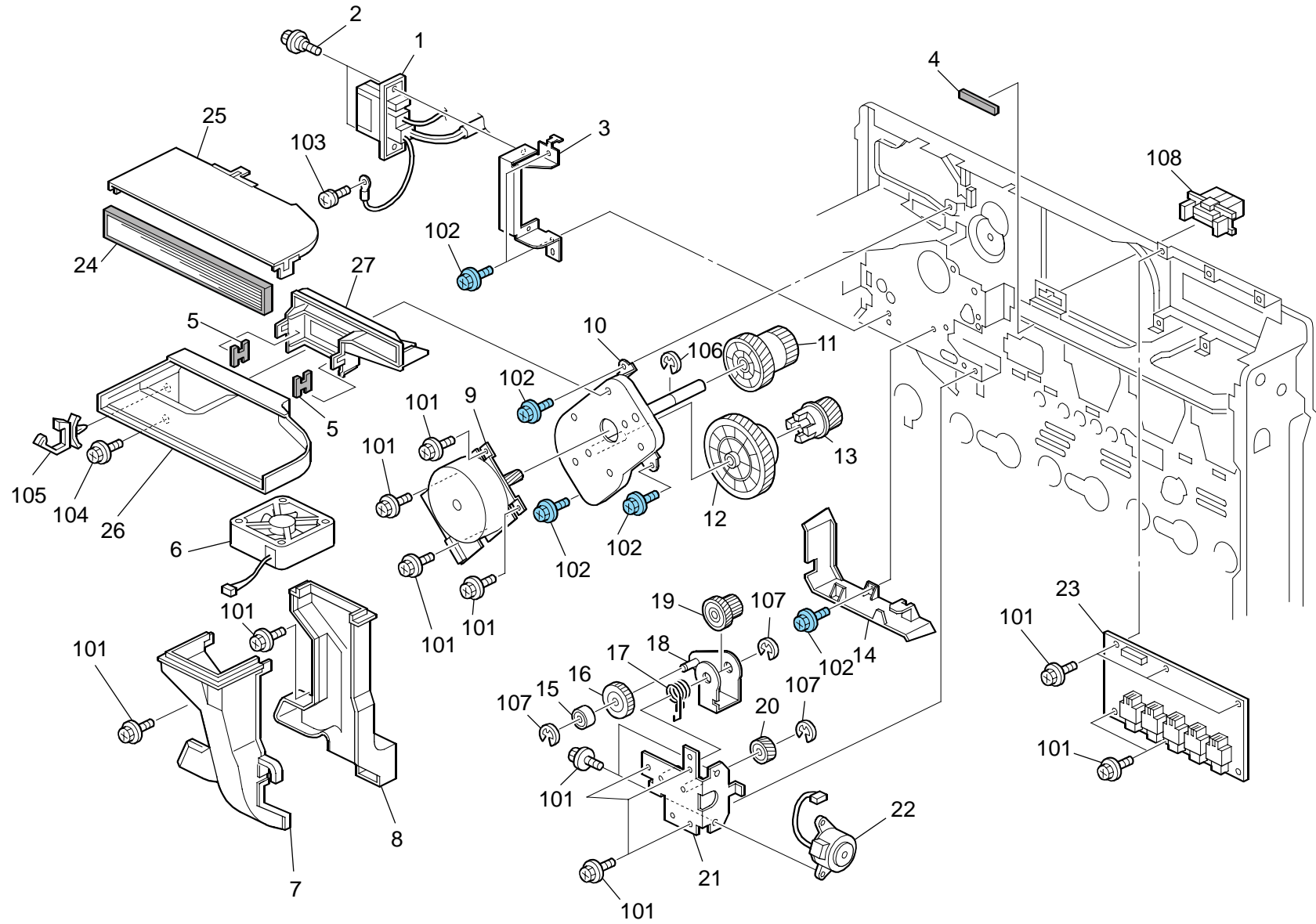
32.Drive Section 4 (G133)

Index No.	Part No.	Description	Q'ty Per Assembly
1	B223 1189	Feed Drive Shaft	2
2	B223 1183	Grip Shaft	2
3	B223 1186	Drive Joint	4
4	B223 1354	Drum Stay:Drive Unit	1
5	AB01 7699	Gear - 33Z/44Z	2
6	AB01 1258	Gear - 38Z	2
7	AA04 3585	Timing Belt:40S3M162	1
8	AB03 0781	Timing Pulley - 28Z/30T	1
9	AB01 1259	Gear - 32Z	2
10	B223 1180	Bracket:Paper Feed	1
11	AX20 0289	Magnetic Clutch - 32z	2
12	B223 1187	Magnetic Clutch Bracket	2
13	GA08 0002	Bushing - 6mm	4
14	5447 2681	Snap Ring	2
15	AA16 1164	Cushion:Stepper Motor	1
16	B223 1188	Stepper Motor DC24V	1
17	AW14 0012	Temperature & Humidity Sensor	1
18	AA04 3601	Timing Belt - B40S2M118	1
19	AB03 0744	Timing Pulley - 27Z/40T	1
20	B223 1191	Bracket:Drive Unit:Registration	1
21	A232 4666	Cushion - Stepper Motor	1
22	B223 1350	Stepper Motor DC5.06V	1
23	B223 5307	Harness:IOB:Motor	1

Index No.	Part No.	Description	Q'ty Per Assembly
101	0451 3006N	Tapping Screw:3X6	
102	0454 3006Q	Tapping Screw::3X6	
103	0451 4008N	Tapping Screw:4x8	
104	0805 0089	Retaining Ring - M4	
105	1105 0488	Harness Clamp	
106	0434 0100N	Tapping Screw - 4x10	
107	0720 0040E	Retaining Ring - M4	



33.Drive Section 5 (G133)



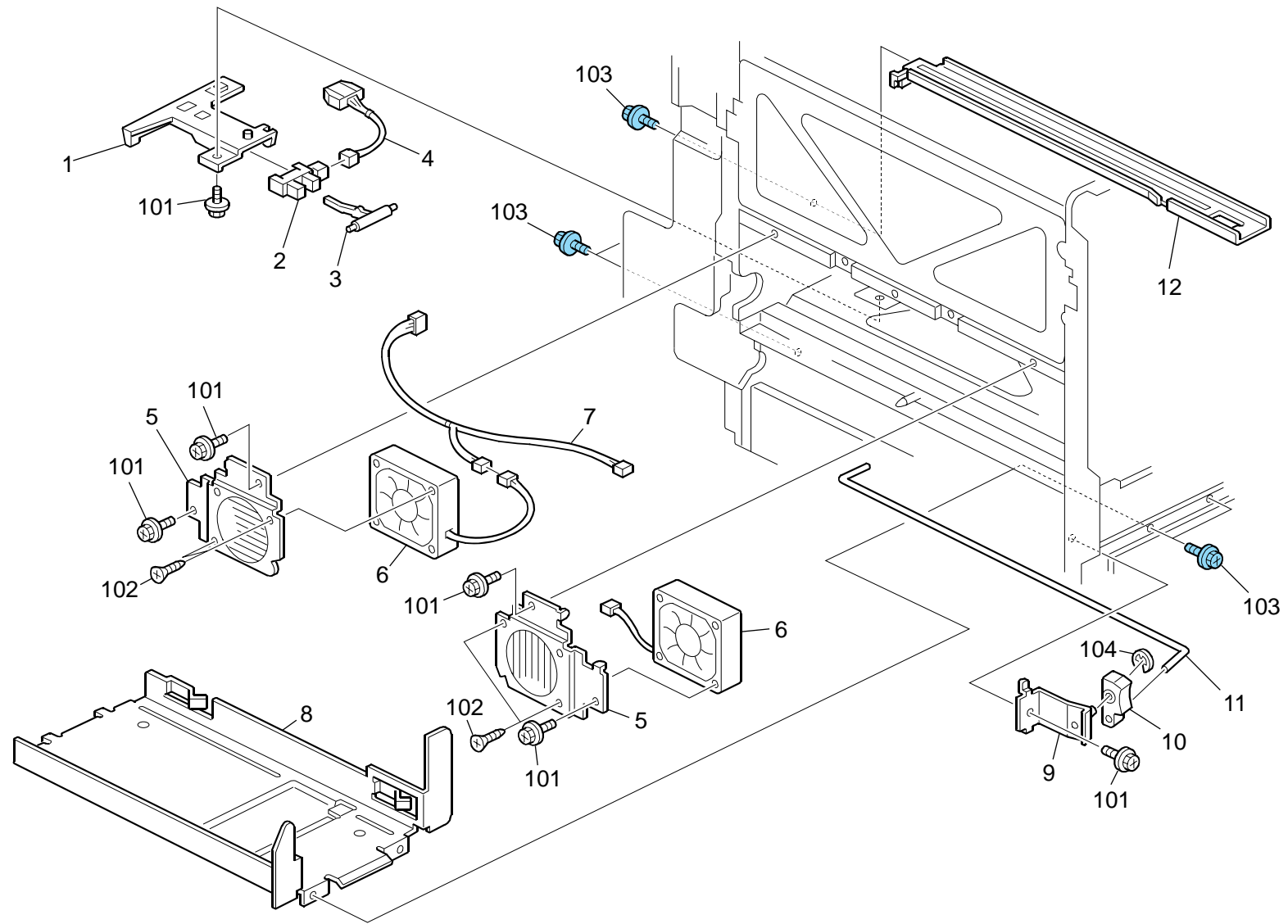
33.Drive Section 5 (G133)



Index No.	Part No.	Description	Q'ty Per Assembly
1	G133 5364	Harness:Fusing Unit:P1:NA	1
1	G133 5365	Harness:Fusing Unit:P1:EU	1
2	AA14 3576	Screw:M3	2
3	B223 1069	Bracket:Drawer	1
4	B223 5861	Gasket:Etnw100-00505:L90	1
5	B223 1329	Sound Proofing Material:Duct	2
6	B223 1332	Fan Motor - Mm60 DC24V	1
7	B223 1324	Duct:IH:Rear	1
8	B223 1323	Duct:IH:Front	1
9	GX06 0015	Brushless Motor:Drive:Paper Feed	1
10	B223 1195	Bracket:Fusing Drive Sub-unit:Ass'y	1
11	AB01 0377	Gear:Z27/Z78	1
12	AB01 0375	Gear:Z120	1
13	AB01 0376	Gear:Z27	1
14	B223 1362	Cover:Fusing Drive Unit:Lower	1
15	B223 4343	Ring:Gear:Heat Roller	1
16	AB01 1264	Gear:Z24	1
17	AA06 6178	Spring	1
18	B223 4315	Bracket:Drive:Gear	1
19	AB01 7706	Gear:Z16/Z40	1
20	AB01 0138	Gear:Z28	1
21	B223 4318	Bracket:Stepper Motor	1
22	B223 4317	Stepper Motor:DC24V 24.3W	1
23	AZ32 0154	Power Pack:TTS:APO-C/P	1
24	G133 1296	Ozone Filter:No.2:P	1
25	G133 1343	Duct:Supply:Upper Rear:P1	1
26	G133 1342	Duct:Supply:Rear	1
27	G133 1341	Duct:Supply:Front	1

Index No.	Part No.	Description	Q'ty Per Assembly
101	0451 3006N	Tapping Screw:3X6	
102	0454 3006Q	Tapping Screw::3X6	
103	0954 4008N	Screw - M4X8	
104	0451 3008N	Tapping Screw:3X8	
105	1105 0487	Clamp:Lws-0511Z	
106	0720 0060E	Retaining Ring - M6	
107	0720 0040E	Retaining Ring - M4	
108	1102 9782	Connector:51405-1819	

34.Frame Section 1 (G133)

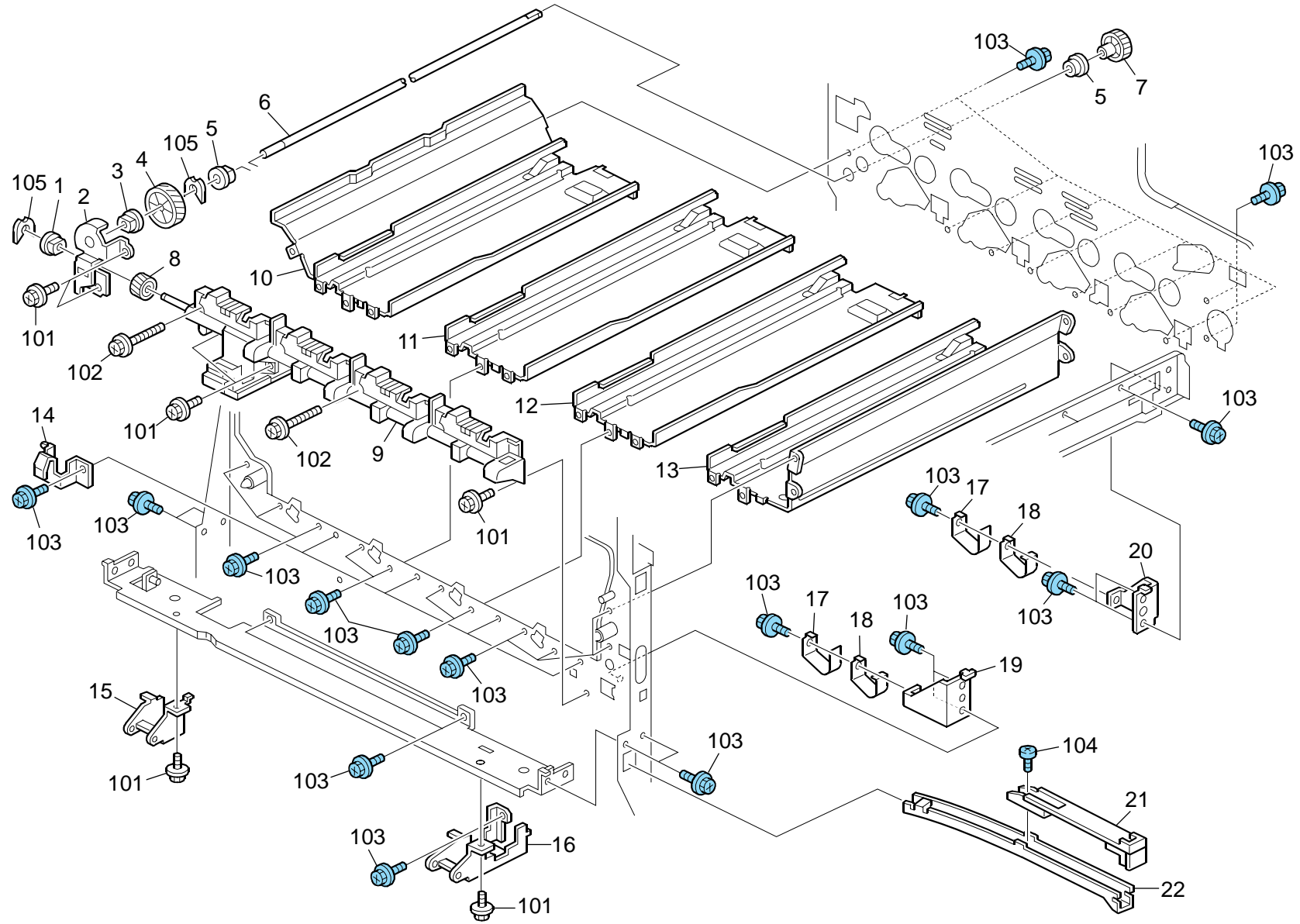


34.Frame Section 1 (G133)

Index No.	Part No.	Description	Q'ty Per Assembly
1	B223 6502	Used Toner Sensor Bracket	1
2	AW02 0160	Paper Feed Sensor	1
3	B223 6503	Used Toner Sensor Feeler	1
4	B238 5313	Harness - Used Toner Sensor	1
5	B223 1331	Bracket:Fan	2
6	B223 1332	Fan Motor - Mm60 DC24V	2
7	B223 5311	Harness:IOB:Fan Motor	1
8	G133 6496	Rail:Collection Bottle	1
9	B238 5821	Bracket:Handle:Main Switch:Peen	1
10	B238 5824	Cover:Slide Switch	1
11	B238 5825	Link:Power Source:Switch	1
12	B223 6198	Cleaning Unit Rail	1

Index No.	Part No.	Description	Q'ty Per Assembly
101	0451 3006N	Tapping Screw:3X6	
102	0802 5308	Tapping Screr:Fan	
103	0454 3006Q	Tapping Screw::3X6	
104	0720 0030E	Retaining Rings-E:3	

35.Frame Section 2 (G133)

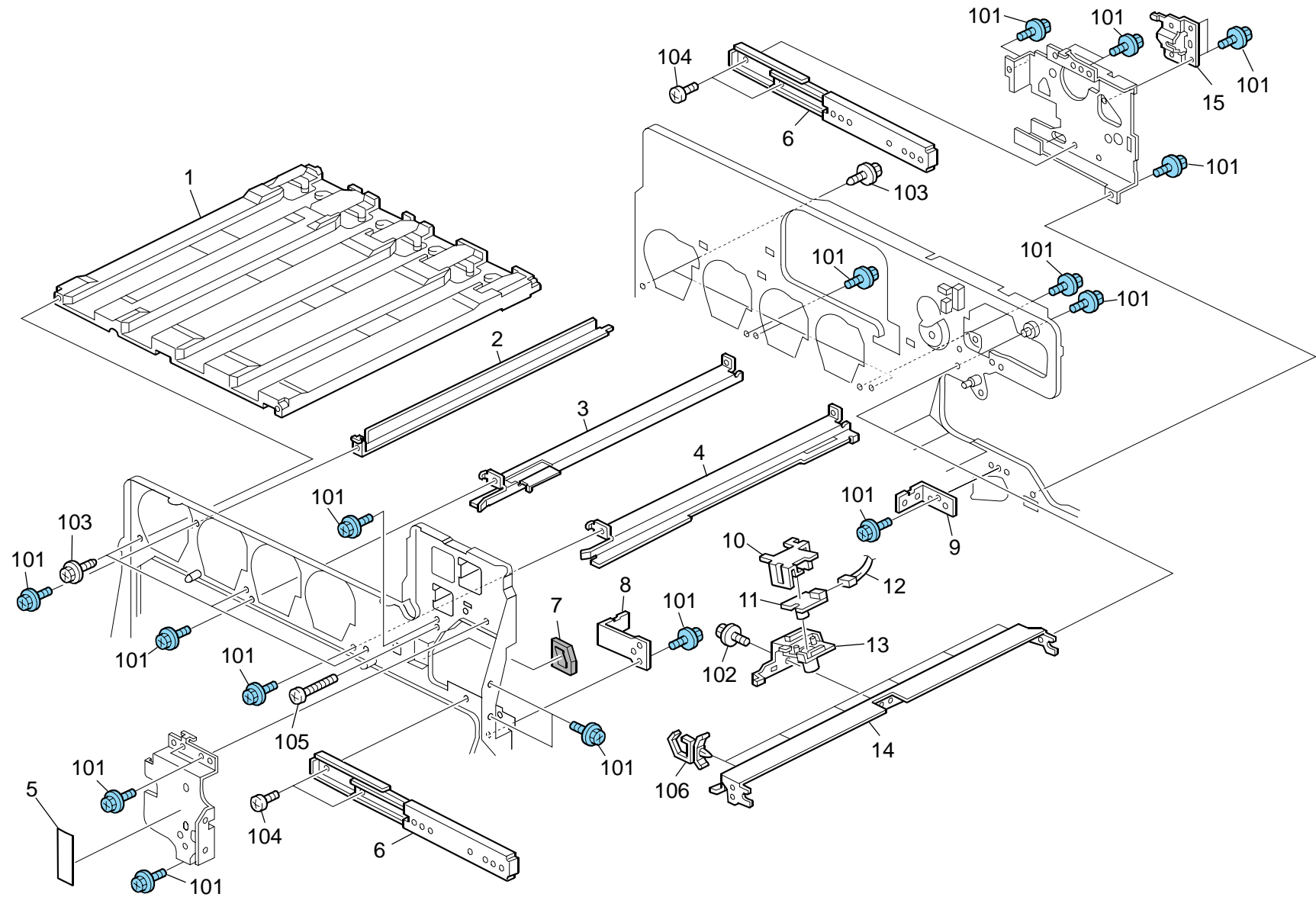


35.Frame Section 2 (G133)

Index No.	Part No.	Description	Q'ty Per Assembly
1	B223 6464	Bushing - 6x10x6	1
2	B223 6471	Transport Screw Bracket	1
3	B223 6475	Bushing - 5x 10x2.5	1
4	B223 6472	Gear - 21Z	1
5	B223 6476	Bushing - Dia5	2
6	B223 6473	Transport Screw Shaft	1
7	B223 6474	Gear - 29Z	1
8	B223 6463	Gear - 20Z	1
9	G133 6451	Pipe:Front	1
10	B223 1087	Separation Plate - Upper Left	1
11	B223 1084	Separation Plate - Upper Mliddle Left	1
12	B223 1080	Separation Plate - Upper Mliddle Right	1
13	B223 1076	Separation Plate - Upper Right	1
14	B223 6467	Lever Bracket	4
15	B223 1103	Bracket:Hinge:Left	1
16	B223 1102	Bracket:Grip:Right Front	1
17	B223 1899	Imaging Unit Plate - Outer	2
18	B223 1898	Imaging Unit Plate - Inner	2
19	B223 1896	Imaging Unit Plate - Front	1
20	B223 1897	Imaging Unit Plate - Rear	1
21	B223 1245	Cap:Grip	1
22	B223 1101	Grip:Front	1

Index No.	Part No.	Description	Q'ty Per Assembly
101	0451 3006N	Tapping Screw:3X6	
102	0451 3016N	Tapping Screw - 3x16	
103	0454 3006Q	Tapping Screw::3X6	
104	0802 5305	Tapping Screw - M3x6	
105	0805 0089	Retaining Ring - M4	

36.Frame Section 3 (G133)

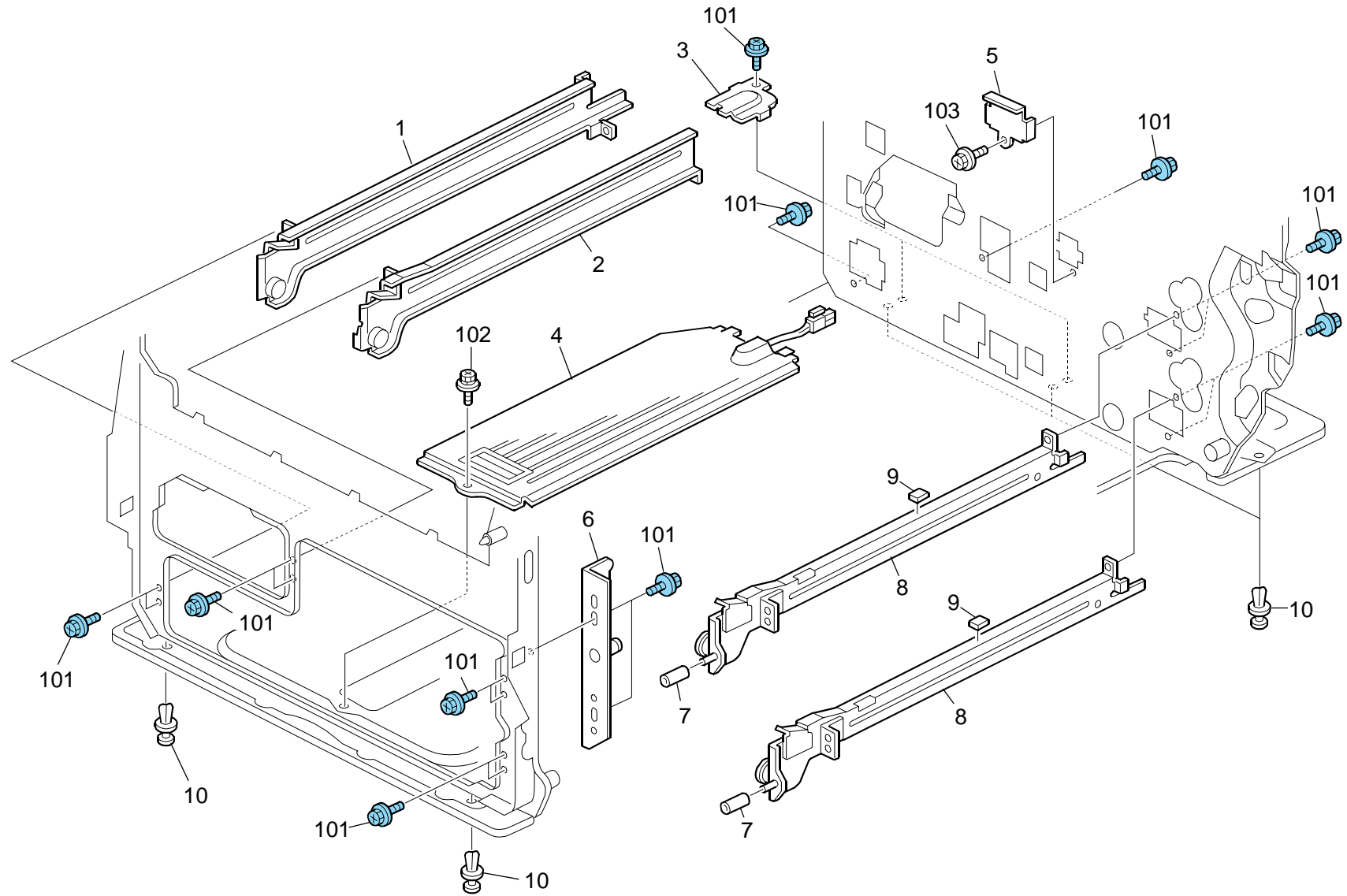


36.Frame Section 3 (G133)

Index No.	Part No.	Description	Q'ty Per Assembly
1	B223 3305	Toner Cartridge Unit	1
2	B223 3328	Toner Cartridge Guide	1
3	G133 6145	Rail:Left:Intermediate Transfer	1
4	G133 6146	Rail:Right:Intermediate Transfer	1
5	B223 4342	Sheet:Harness	1
6	AA07 0080	Slide Rail:Fusing Unit	2
7	B223 1344	Sponge:Ih:Fan	1
8	B223 1067	Bracket:Sensor:Front	1
9	B223 1068	Bracket:Sensor:Rear	1
10	B223 4331	Cover:Thermopile	1
11	AW10 0106	Thermopile	1
12	B223 5312	Harness:IOB:Fusing:Thermopile	1
13	B223 4332	Holder:Thermopile	1
14	B223 4314	Stay:Temperature Sensor:Fusing	1
15	B223 4391	Positioning Plate:Fusing Unit	1

Index No.	Part No.	Description	Q'ty Per Assembly
101	0454 3006Q	Tapping Screw::3X6	
102	0451 3006N	Tapping Screw:3X6	
103	0450 3008N	Tapping Screw - M3x8	
104	0353 0040N	Screw - M3X4	
105	0353 0120N	Screw M3x12	
106	1105 0487	Clamp:Lws-0511Z	

37.Frame Section 4 (G133)

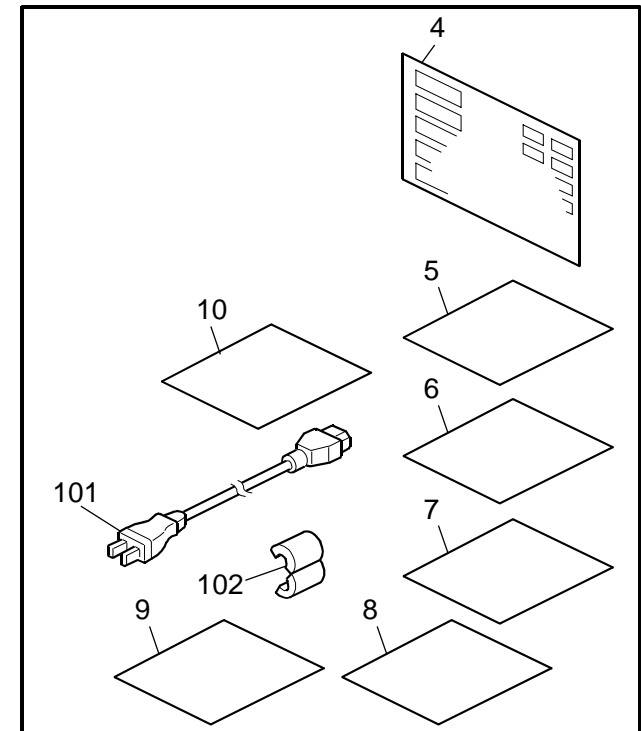
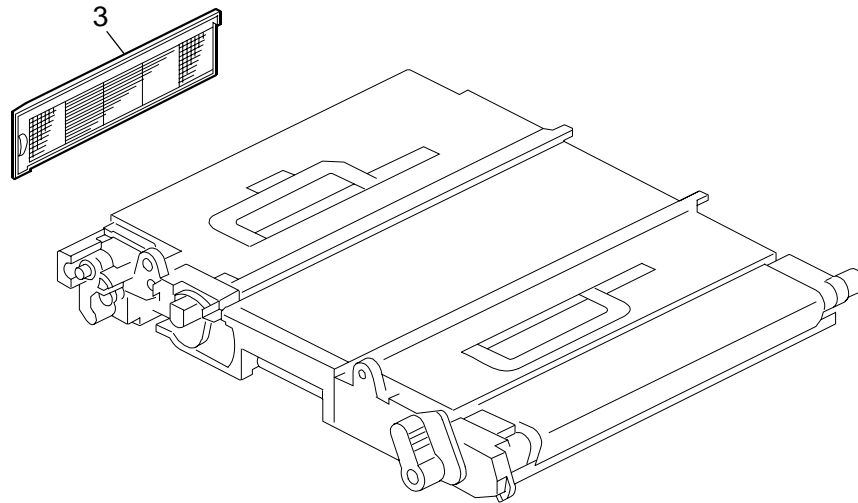
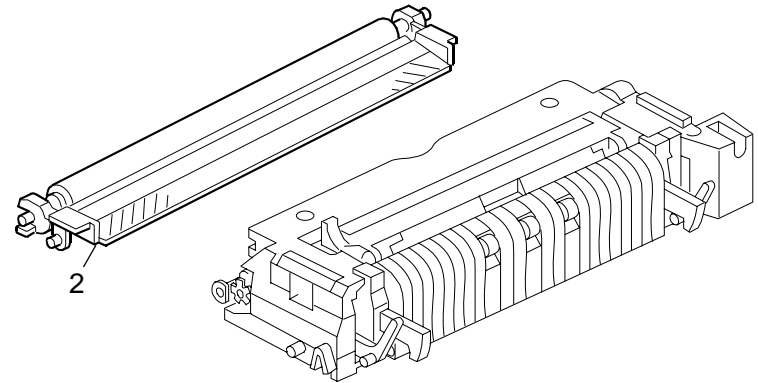
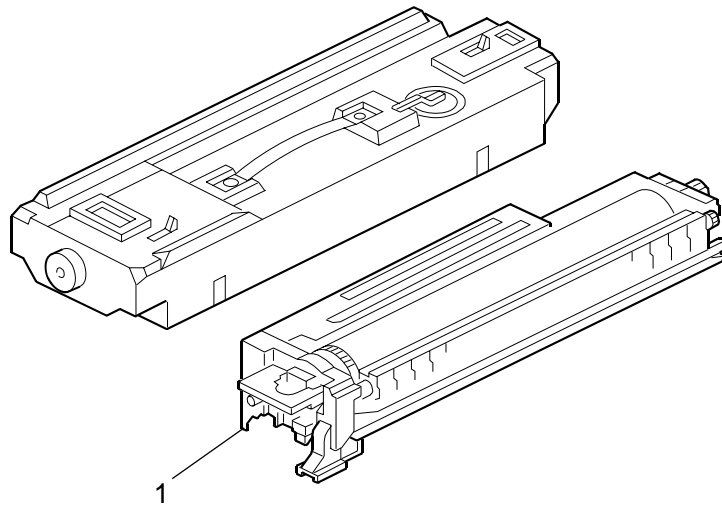


37.Frame Section 4 (G133)

Index No.	Part No.	Description	Q'ty Per Assembly
1	B223 2710	Supporter - Left No.2	1
2	B223 2705	Supporter - Left No.1	1
3	B238 1066	Rubber Foot Cover	2
4	B223 2702	Heat Sink:Heater:NA	1
4	B223 2703	Heat Sink:Heater:EU	1
5	B223 1207	Cover:Connector:Heater	1
6	B223 1120	Bracket:Paper Feed Unit	1
7	B223 2714	Positioning Cap - Short	2
8	B223 2715	Supporter - Right	2
9	AA16 1163	Cushion	2
10	B101 1097	Rubber Foot:H5	6

Index No.	Part No.	Description	Q'ty Per Assembly
101	0454 3006Q	Tapping Screw::3X6	
102	0802 5299	Tapping Screw - M3x8	
103	0451 3006N	Tapping Screw:3X6	

38. Accessories (G133)



38.Accessories (G133)



Index No.	Part No.	Description	Q'ty Per Assembly
1	G133 2021	PCU:M	1
1	G133 2022	PCU:C	1
1	G133 2023	PCU:Y	1
2	G133 6260	Transfer/separation Unit:P1:Ass'y	1
3	G133 1280	Cover:Left:Middle:Filter:Ass'y	1
4	B238 2524	Decal - Paper Size	1
5	A232 8561	Safety Sheet	1
6	G146 7491	Sheet:Collar_Chart:JPN:AP-P1B	1
7	G133 8601	Manual:Saftyinfo	1
8	G133 8603	Manual:Saftyinfo:AP-P1	1
9	G133 8605	Manual:Quick:NA	1
10	G133 8680	Manual:Notes_Admin	1

Index No.	Part No.	Description	Q'ty Per Assembly
01	1150 0373	Power Supply Code:125V 15A NA	
01	1150 0377	Power Supply Code:250V:10A:EU	
102	1607 1714	Ferrite Core:Rfc-6	

39.IOB Board (G133)

CAPACITOR

SYMBOL NO.	INDEX NO.	SYMBOL NO.	INDEX NO.	SYMBOL NO.	INDEX NO.	SYMBOL NO.	INDEX NO.	SYMBOL NO.	INDEX NO.	SYMBOL NO.	INDEX NO.	SYMBOL NO.	INDEX NO.
C1	252	---	---	C21	255	C31	255	C41	189	C51	255	C61	255
C2	188	C12	182	C22	255	C32	188	C42	189	C52	250	C62	188
C3	188	C13	255	C23	249	C33	255	C43	182	C53	188	C63	255
C4	255	C14	255	C24	249	C34	194	C44	182	C54	250	C64	255
C5	189	C15	253	C25	255	C35	188	C45	251	C55	250	C65	188
C6	253	C16	253	C26	188	C36	188	C46	251	C56	188	C66	188
C7	185	C17	255	C27	255	C37	255	C47	253	C57	255	C67	248
C8	185	C18	255	C28	188	C38	188	---	---	C58	188	C68	255
C9	185	C19	252	C29	188	---	---	---	---	C59	188	C69	188
C10	182	C20	255	C30	255	C40	183	C50	255	C60	255	C70	255

CAPACITOR

SYMBOL NO.	INDEX NO.	SYMBOL NO.	INDEX NO.	SYMBOL NO.	INDEX NO.	SYMBOL NO.	INDEX NO.	SYMBOL NO.	INDEX NO.	SYMBOL NO.	INDEX NO.	SYMBOL NO.	INDEX NO.
C71	188	C81	182	C91	255	C101	188	C111	188	C121	255	C131	188
C72	188	C82	254	C92	188	C102	255	C112	255	C122	255	C132	255
C73	255	C83	184	C93	255	C103	255	C113	255	C123	188	C133	255
C74	255	C84	188	C94	255	C104	188	C114	186	C124	188	C134	254
C75	255	C85	188	C95	188	C105	255	C115	255	C125	188	C135	255
---	---	C86	255	C96	255	C106	194	C116	255	C126	188	C136	255
C77	255	C87	253	C97	255	C107	255	C117	255	C127	255	C137	255
C78	188	C88	255	C98	255	C108	248	C118	188	C128	194	C138	255
C79	187	C89	194	C99	188	C109	188	C119	188	C129	255	C139	188
C80	189	C90	255	C100	188	C110	255	C120	188	C130	255	C140	188

39.IOB Board (G133)

CAPACITOR

SYMBOL NO.	INDEX NO.	SYMBOL NO.	INDEX NO.	SYMBOL NO.	INDEX NO.	SYMBOL NO.	INDEX NO.	SYMBOL NO.	INDEX NO.	SYMBOL NO.	INDEX NO.	SYMBOL NO.	INDEX NO.
C141	255	C151	255	---	---	C171	188	C181	188	C191	255	C201	255
C142	248	C152	188	C162	251	C172	188	C182	251	C192	188	C202	255
C143	255	C153	255	C163	255	C173	188	C183	251	C193	188	C203	188
C144	188	---	---	C164	188	C174	188	C184	255	C194	255	C204	188
C145	188	C155	183	C165	252	C175	188	C185	255	C195	255	C205	253
C146	188	C156	255	C166	252	C176	252	C186	255	C196	255	C206	253
C147	188	C157	251	C167	252	C177	188	C187	251	C197	255	C207	188
C148	188	C158	253	---	---	C178	252	C188	255	C198	255	C208	252
C149	254	C159	188	C169	188	C179	252	C189	188	C199	255	C209	251
C150	188	C160	251	C170	188	C180	255	C190	252	C200	255	C210	252

CAPACITOR

SYMBOL NO.	INDEX NO.
C211	255
C212	188
C213	188
C214	252
C215	194

CA

SYMBOL NO.	INDEX NO.
CA1	193
CA2	192
CA3	192
CA4	193
CA5	193
CA6	193
CA7	193
CA8	191
CA9	191
CA10	191

SYMBOL NO.	INDEX NO.
CA11	191
CA12	193
CA13	190
CA14	190
---	---
CA16	193
CA17	193
CA18	193
CA19	193
---	---

SYMBOL NO.	INDEX NO.
---	---
---	---
CA23	193
CA24	192
CA25	192
CA26	193
CA27	193
CA28	193
CA29	193
CA30	193

SYMBOL NO.	INDEX NO.
CA31	192
---	---
---	---
---	---
---	---
---	---
---	---
---	---
---	---
---	---

CONNECTOR

SYMBOL NO.	INDEX NO.
CN201	103
---	---
CN203	130
CN204	129
CN205	120
---	---
---	---
CN208	128
CN209	114
CN210	125

SYMBOL NO.	INDEX NO.
---	---
CN212	112
---	---
CN214	120
CN215	115
CN216	126
CN217	117
CN218	119
CN219	113
---	---

39.IOB Board (G133)

CONNECTOR

SYMBOL NO.	INDEX NO.
CN221	122
CN222	124
CN223	121
CN224	123
CN225	127
---	---
CN227	109
CN228	130
CN229	132
---	---

SYMBOL NO.	INDEX NO.
---	---
CN232	110
CN233	102
CN234	104
---	---
CN236	112
CN237	106
CN238	107
CN239	107
---	---

SYMBOL NO.	INDEX NO.
CN241	101
CN242	108
CN243	105
CN244	111
---	---
---	---
---	---
---	---
---	---
---	---

SYMBOL NO.	INDEX NO.
---	---
---	---
CN253	124
CN254	104
---	---
---	---
---	---
---	---
---	---

SYMBOL NO.	INDEX NO.
---	---
CN262	118
CN263	119
CN264	119
CN265	121
---	---
CN266	123
CN267	116
CN268	131

DIODE

SYMBOL NO.	INDEX NO.
D1	145
---	---
D3	145
D4	145
D5	145
---	---
D6	145
D7	145
D8	145
---	---
D10	144

SYMBOL NO.	INDEX NO.
D11	144
D12	145
D13	145
D14	146
D15	145
---	---
D16	145
D17	143
D18	143
D19	145
D20	145

FIL

SYMBOL NO.	INDEX NO.
FIL4	195

IC

SYMBOL NO.	INDEX NO.
IC1	160
IC2	160
IC3	160
IC4	160
IC5	170
---	---
IC6	169
IC7	156
IC8	154
---	---
IC10	168

SYMBOL NO.	INDEX NO.
IC11	168
IC12	152
IC13	152
IC14	152
IC15	152
---	---
IC16	155
IC17	155
IC18	167
IC19	151
IC20	166

SYMBOL NO.	INDEX NO.
IC21	153
IC22	161
IC23	161
IC24	161
IC25	162
---	---
IC26	156
IC27	154
IC28	171
IC29	156
---	---

SYMBOL NO.	INDEX NO.
IC31	165
IC32	152
IC33	163
IC34	164
IC35	152
---	---
IC36	153
IC37	158
IC38	153
IC39	155
IC40	155

SYMBOL NO.	INDEX NO.
IC41	153
IC42	157
IC43	157
---	---
---	---
IC46	159
---	---
---	---
---	---
IC50	163

SYMBOL NO.	INDEX NO.
IC51	167
IC52	156
IC53	152

LED

SYMBOL NO.	INDEX NO.
LED1	150

39.IOB Board (G133)

OSC

SYMBOL NO.	INDEX NO.
OSC1	173

Q

SYMBOL NO.	INDEX NO.
Q1	134
Q2	142
Q3	136
Q4	136
Q5	136
Q6	136
Q7	134
Q8	134
Q9	139
Q10	136

SYMBOL NO.	INDEX NO.
Q11	138
Q12	138
Q13	138
Q14	138
Q15	137
Q16	140
Q17	137
Q18	133
Q19	135
---	---

SYMBOL NO.	INDEX NO.
---	---
---	---
---	---
Q24	141
Q25	134
Q26	134
Q27	134
Q28	134
---	---
---	---

SYMBOL NO.	INDEX NO.
Q31	133
Q32	133
Q33	134
Q34	140
Q35	134
Q36	134

RESISTOR

SYMBOL NO.	INDEX NO.
R1	210
R2	209
R3	210
R4	209
R5	210
R6	214
R7	214
R8	214
R9	214
R10	236

SYMBOL NO.	INDEX NO.
R11	209
R12	210
R13	236
R14	211
R15	211
R16	214
R17	214
R18	214
R19	214
R20	209

RESISTOR

SYMBOL NO.	INDEX NO.
R21	209
R22	203
R23	203
R24	236
R25	203
R26	209
R27	236
R28	239
R29	210
R30	210

SYMBOL NO.	INDEX NO.
R31	210
R32	203
R33	210
R34	210
R35	233
R36	229
R37	210
R38	210
R39	210
R40	198

SYMBOL NO.	INDEX NO.
---	---
R42	219
R43	210
R44	220
R45	210
R46	210
R47	225
R48	218
R49	210
R50	221

SYMBOL NO.	INDEX NO.
R51	221
R52	225
R53	219
R54	223
R55	223
R56	210
R57	224
R58	224
R59	210
R60	210

SYMBOL NO.	INDEX NO.
---	---
R62	210
R63	207
R64	225
R65	210
R66	210
R67	210
---	---
R69	207
R70	210

SYMBOL NO.	INDEX NO.
R71	210
R72	224
R73	224
R74	221
R75	221
R76	209
R77	222
R78	210
R79	213
R80	220

SYMBOL NO.	INDEX NO.
R81	209
R82	222
R83	225
R84	225
R85	226
R86	226
R87	224
R88	209
R89	209
R90	210

39.IOB Board (G133)

RESISTOR

SYMBOL NO.	INDEX NO.	SYMBOL NO.	INDEX NO.	SYMBOL NO.	INDEX NO.	SYMBOL NO.	INDEX NO.	SYMBOL NO.	INDEX NO.	SYMBOL NO.	INDEX NO.	SYMBOL NO.	INDEX NO.
R91	210	R101	207	---	---	R121	219	R131	225	R141	210	R151	210
R92	227	R102	210	R112	210	R122	210	R132	209	R142	212	R152	219
R93	246	R103	210	R113	225	R123	219	R133	210	R143	209	R153	210
R94	229	---	---	R114	210	R124	210	R134	210	R144	225	R154	210
R95	209	R105	210	R115	225	R125	219	R135	209	R145	209	R155	210
R96	210	R106	207	R116	210	R126	219	R136	210	R146	210	R156	203
R97	200	---	---	R117	225	R127	219	R137	209	R147	225	---	---
R98	225	R108	210	R118	210	R128	210	R138	210	R148	225	R158	203
R99	200	R109	207	R119	224	R129	219	R139	210	R149	225	R159	210
R100	209	R110	210	R120	209	R130	225	R140	210	R150	210	R160	209

RESISTOR

SYMBOL NO.	INDEX NO.	SYMBOL NO.	INDEX NO.	SYMBOL NO.	INDEX NO.	SYMBOL NO.	INDEX NO.	SYMBOL NO.	INDEX NO.	SYMBOL NO.	INDEX NO.	SYMBOL NO.	INDEX NO.
---	---	R171	210	---	---	R191	211	R201	203	R211	219	R221	221
---	---	R172	210	R182	210	R192	216	R202	203	R212	210	R222	221
R163	210	R173	209	R183	206	R193	216	R203	203	---	---	R223	221
R164	210	R174	205	R184	210	R194	210	R204	203	---	---	R224	210
R165	210	R175	210	R185	209	R195	209	R205	221	R215	210	R225	203
R166	210	R176	220	R186	210	R196	225	R206	210	R216	210	R226	210
R167	221	R177	220	R187	209	R197	210	R207	221	---	---	R227	210
R168	221	R178	222	R188	209	R198	225	R208	224	R218	210	R228	210
R169	225	R179	209	R189	210	R199	222	R209	210	---	---	R229	203
R170	209	R180	202	R190	209	R200	209	R210	209	R220	221	R230	241

39.IOB Board (G133)

RESISTOR

SYMBOL NO.	INDEX NO.	SYMBOL NO.	INDEX NO.	SYMBOL NO.	INDEX NO.	SYMBOL NO.	INDEX NO.	SYMBOL NO.	INDEX NO.	SYMBOL NO.	INDEX NO.	SYMBOL NO.	INDEX NO.
R231	231	R241	210	R251	210	R261	210	R271	209	R281	210	R291	210
R232	227	R242	210	R252	203	R262	224	R272	209	R282	210	R292	210
R233	210	R243	210	R253	218	R263	210	R273	210	R283	217	R293	210
R234	210	R244	224	R254	221	R264	225	R274	210	R284	221	R294	225
R235	210	R245	209	R255	221	R265	219	R275	210	R285	221	R295	210
R236	210	R246	209	R256	209	R266	219	R276	210	R286	221	R296	203
R237	209	R247	209	R257	209	R267	219	R277	213	R287	210	---	---
R238	228	R248	210	R258	210	R268	210	R278	219	R288	210	R298	215
R239	224	R249	210	R259	210	R269	224	R279	210	R289	209	R299	222
R240	210	R250	203	R260	209	R270	209	R280	203	R290	210	R300	235

RESISTOR

SYMBOL NO.	INDEX NO.	SYMBOL NO.	INDEX NO.	SYMBOL NO.	INDEX NO.	SYMBOL NO.	INDEX NO.	SYMBOL NO.	INDEX NO.	SYMBOL NO.	INDEX NO.	SYMBOL NO.	INDEX NO.
R301	243	R311	210	R321	204	-----	---	R341	225	R351	236	R361	210
R302	242	R312	243	R322	209	---	---	R342	210	R352	239	R362	223
R303	203	R313	240	R323	204	---	---	---	---	R353	245	R363	205
---	---	R314	230	R324	210	R334	245	R344	201	R354	211	R364	210
R305	243	R315	210	R325	204	R335	209	R345	209	R355	223	R365	210
R306	234	R316	210	R326	210	R336	225	R346	210	---	---	R366	210
R307	247	R317	199	R327	204	---	---	R347	210	R357	210	R367	220
R308	243	R318	232	R328	238	R338	207	R348	209	---	---	R368	220
R309	237	R319	209	R329	236	R339	225	R349	236	R359	210	R369	209
R310	244	R320	210	R330	236	R340	225	R350	209	R360	210	R370	208

39.IOB Board (G133)

RESISTOR

SYMBOL NO.	INDEX NO.
R371	208
R372	208

REG

SYMBOL NO.	INDEX NO.
REG1	172

RN

SYMBOL NO.	INDEX NO.
RN1	174
RN2	179
RN3	181
RN4	181
RN5	174
RN6	179
RN7	179
RN8	174
RN9	174
RN10	174

SYMBOL NO.	INDEX NO.
RN11	174
RN12	174
RN13	174
RN14	179
RN15	179
RN16	179
RN17	196
RN18	174
RN19	174
RN20	179

SYMBOL NO.	INDEX NO.
RN21	174
RN22	174
RN23	174
RN24	174
RN25	179
RN26	175
RN27	176
RN28	176
RN29	176
RN30	176

SYMBOL NO.	INDEX NO.
RN31	175
RN32	175
RN33	179
RN34	196
RN35	179
RN36	174
RN37	179
RN38	174
RN39	179
RN40	196

SYMBOL NO.	INDEX NO.
RN41	179
RN42	196
RN43	174
RN44	196
RN45	174
RN46	176
RN47	176
RN48	176
RN49	176
RN50	176

SYMBOL NO.	INDEX NO.
RN51	174
RN52	176
RN53	176
RN54	196
RN55	196
RN56	178
RN57	178
RN58	178
RN59	178
RN60	174

RN

SYMBOL NO.	INDEX NO.
RN61	176
RN62	174
RN63	178
RN64	178
RN65	196
RN66	174
RN67	174
RN68	176
RN69	176
RN70	179

SYMBOL NO.	INDEX NO.
RN71	179
RN72	197
RN73	179
RN74	179
RN75	174
RN76	174
RN77	179
RN78	177
RN79	177
RN80	177

SYMBOL NO.	INDEX NO.
RN81	176
RN82	176
RN83	175
RN84	174
RN85	174
RN86	174
RN87	174
RN88	175
RN89	179
RN90	174

SYMBOL NO.	INDEX NO.
RN91	174
RN92	174
RN93	174
RN94	174
RN95	175
RN96	175
RN97	176
RN98	176
---	---
RN100	176

SYMBOL NO.	INDEX NO.
RN101	176
RN102	176
RN103	174
RN104	179
RN105	180
RN106	174
RN107	178
RN108	178
RN109	179
RN110	174

SYMBOL NO.	INDEX NO.
RN111	179
RN112	179
RN113	196
RN114	179

LED

SYMBOL NO.	INDEX NO.
---	---
LED2	149

ZD

SYMBOL NO.	INDEX NO.
ZD1	147
ZD2	147
ZD3	147
ZD4	147
ZD5	148

39.IOB Board (G133)

Index No.	Part No.	Description	Q'ty Per Assembly
*	B223 5120	PCB:IOB:AP-C1/P1	1

Index No.	Part No.	Description	Q'ty Per Assembly
101	1102 6300	Connector:53324-0760	
102	1102 6397	Connector:53313-1865	
103	1102 6594	Connector	
104	1102 8470	Connector:55447-0680	
105	1102 8471	Connector:55447-0780	
106	1102 8472	Connector:55447-0880	
107	1102 8477	Connector:55447-1380	
108	1102 8479	Connector:55447-1580	
109	1102 8480	Connector:55447-1680	
110	1102 8481	Connector:55447-1780	
111	1102 8484	Connector:55447-2080	
112	1102 8488	Connector:55451-2870	
113	1102 8490	Connector:55451-3270	
114	1102 8491	Connector:55451-3470	
115	1102 8494	Connector:55451-4070	
116	1102 8623	Connector:292207-2	
117	1102 8781	Connector:1-292207-2	
118	1102 8933	Connector:292207-5	
119	1102 9108	Connector:292207-3	
120	1102 9109	Connector:292207-4	
121	1102 9110	Connector:292207-6	
122	1102 9111	Connector:292207-7	
123	1102 9112	Connector:292207-8	
124	1102 9113	Connector:1-292207-0	
125	1102 9114	Connector:1-292207-1	
126	1102 9117	Connector:1-292207-8	
127	1102 9119	Connector:2-292207-0	
128	1102 9120	Connector:2-292208-2	
129	1102 9121	Connector:2-292208-4	
130	1102 9122	Connector:2-292208-6	
131	1102 9601	Connector:5-292207-3	
132	1103 3179	Connector:Fh12-50S-0.5Sv(89)	
133	1400 0769	Transistor:2SA1576A	
134	1400 0775	Transistor:2SC4081	
135	1400 0788	Transistor:DTB113ZK	

Index No.	Part No.	Description	Q'ty Per Assembly
136	1400 0810	Transistor:DTC114EUA	
137	1400 0920	Transistor:DTC143EUA	
138	1400 0968	Transistor:DTA123JUA	
139	1400 1012	Transistor:2SD2656	
140	1400 1140	Transistor:2SA1577R	
141	1400 1141	Transistor:2SD1949	
142	1401 0972	Transistor-2SB1260	
143	1402 1289	Diode-Array	
144	1402 1385	Diode DAP222	
145	1402 1503	Diode:1SS400	
146	1402 1584	Diode:Dan217U	
147	1402 1663	Diode:PTZ12B	
148	1402 1952	Diode:TDZ12	
149	1403 0978	LED:SML-310DT	
150	1403 0996	LED - Sml-310vt	
151	1407 1535	Driver:TD62308APG(5)	
152	1407 2187	TTLIC:SN74LS07NS	
153	1407 2219	Driver:TD62003APG(5)	
154	1407 5351	IC:SN74LV14APW	
155	1407 5392	IC:SN74LV541APW	
156	1407 5469	IC:SN74LV07APW	
157	1407 5790	Cmos Logic:SN74AHC2G08HDCU	
158	1407 6077	IC:STA7101M	
159	1407 6101	Cmos Logic:SN74LVC2G17DCK	
160	1407 6167	Custom Ic:EIO	
161	1407 6181	Motor Control Ic:STK672-600	
162	1407 6196	Motor Control Ic:STK672-610	
163	1407 6197	Driver:M54563P	
164	1407 6314	Motor Control Ic:TB6561NG	
165	1407 6318	Cmos Logic:SN74AHC1G00DCK	
166	1407 6395	Cmos Logic:SN74AHC2G00HDCU	
167	1408 1204	Motor Control Ic:TA8083PG(5 RICO)	
168	1408 1535	Driver:M54585P	
169	1408 1550	Operational Amplifier:LM2902PW	
170	1408 1779	IC:R3112Q281A-FA	

Index No.	Part No.	Description	Q'ty Per Assembly
171	1408 2029	Comparator:LM2901PW	
172	1408 2122	Series Regulator:R1130H331A-FB	
173	1503 1004	Crystal Oscilator:19.6608MHZ	
174	1601 7887	Resistor Array:10K Ω : \pm 5%:1/16W:4Number	
175	1601 7896	Resistor Array:56 Ω : \pm 5%:1/16W:4Number	
176	1601 7898	Resistor Array:33 Ω : \pm 5%:1/16W:4Number	
177	1601 7900	Resistor Array:0 Ω :1005	
178	1601 7943	Resistor Array:68 Ω : \pm 5%:1/16W:4Number	
179	1601 7959	Resistor Array:1K Ω : \pm 5%:1/16W:4Number	
180	1601 7981	Resistor Array:100K Ω : \pm 5%:1/16W:4Number	
181	1601 7984	Resistor Array:22K Ω : \pm 5%:1/16W:4P	
182	1604 2237	Capacitor:100UF: \pm 20%:35V	
183	1604 4477	Capacitor:10 μ F: \pm 20%:35V	
184	1604 4666	Capacitor:47MF: \pm 20%:35V	
185	1604 4825	Capacitor:220 μ F: \pm 20%:35V	
186	1604 5452	Capacitor:47UF: \pm 20%:10V	
187	1604 5453	Capacitor:100UF: \pm 20%:10V	
188	1605 1137	Capacitor:470pF: \pm 10%:50V	
189	1605 1148	Capacitor:0.1UF:+80-20%:50V	
190	1605 1479	Capacitor:47pF: \pm 10%:50V	
191	1605 1481	Capacitor:1000pF: \pm 20%:50V	
192	1605 1482	Capacitor:4700pF: \pm 20%:50V	
193	1605 1531	Capacitor:470pF: \pm 20%:50V	
194	1605 1597	Capacitor:2.2UF:+80-20%:50V	
195	1607 1002	Filter:NFE31PT222Z1E9B	
196	1609 0006	Resistor:10k Ω : \pm 5%:1/16w	
197	1609 0070	Resistor Array:1M Ω : \pm 5%:1/16W:4Number	
198	1610 1409	Resistor:6.8 Ω : \pm 5%:1W:6332	
199	1610 1750	Chip Resistor:1K Ω : \pm 1%:1/2W:5025	
200	1610 1771	Chip Resistor:1 Ω : \pm 5%:1W:6332	
201	1610 1947	Resistor:220 Ω : \pm 5%:1W:6332	
202	1633 0000	Resistor:0 Ω :2125	
203	1634 0000	Resistor:0 Ω :1608	
204	1650 2680	Chip Resistor:68 Ω : \pm 5%:1/4W:3216	
205	1650 2682	Resistor:6.8K Ω : \pm 5%:1/4W:3216	

Index No.	Part No.	Description	Q'ty Per Assembly
206	1650 3153	Resistor:15K Ω : \pm 5%:1/8W:2125	
207	1650 4100	Resistor:10 Ω : \pm 5%:1/10W:1608	
208	1650 4101	Resistor:100 Ω : \pm 5%:1/10W:1608	
209	1650 4102	Resistor:1K Ω : \pm 5%:1/10W:1608	
210	1650 4103	Resistor:10K Ω : \pm 5%:1/10W:1608	
211	1650 4104	Resistor:100K Ω : \pm 5%:1/10W:1608	
212	1650 4105	Resistor:1M Ω : \pm 5%:1/10W:1608	
213	1650 4122	Resistor:1.2K Ω : \pm 5%:1/10W:1608	
214	1650 4154	Resistor:150K Ω : \pm 5%:1/10W:1608	
215	1650 4161	Resistor:160 Ω : \pm 5%:1/10W:1608	
216	1650 4162	Resistor:1.6K Ω : \pm 5%:1/10W:1608	
217	1650 4202	Resistor:2K Ω : \pm 5%:1/10W:1608	
218	1650 4220	Resistor:22 Ω : \pm 5%:1/10W:1608	
219	1650 4222	Resistor:2.2K Ω : \pm 5%:1/10W:1608	
220	1650 4223	Resistor:22K Ω : \pm 5%:1/10W:1608	
221	1650 4330	Resistor:33 Ω : \pm 5%:1/10W:1608	
222	1650 4472	Resistor:4.7K Ω : \pm 5%:1/10W:1608	
223	1650 4473	Resistor:47K Ω : \pm 5%:1/10W:1608	
224	1650 4560	Resistor:56 Ω : \pm 5%:1/10W:1608	
225	1650 4680	Resistor:68 Ω : \pm 5%:1/10W:1608	
226	1650 4681	Resistor:680 Ω : \pm 5%:1/10W:1608	
227	1654 1002	Chip Resistor:10K Ω : \pm 1%:1/10W:1608	
228	1654 1003	Chip Resistor:100K Ω : \pm 1%:1/10W:1608	
229	1654 1004	Resistor:1M Ω : \pm 1%:1/10W:1608	
230	1654 1101	Chip Resistor:1.1K Ω : \pm 1%:1/10W:1608	
231	1654 1201	Resistor:1.2K Ω : \pm 1%:1/10W:1608	
232	1654 1500	Resistor:150 Ω : \pm 1%:1/10W:1608	
233	1654 1501	Resistor:1.5K Ω : \pm 1%:1/10W:1608	
234	1654 1601	Chip Resistor:1.6K Ω : \pm 1%:1/10W:1608	
235	1654 2001	Chip Resistor:2K Ω : \pm 1%:1/10W	
236	1654 2002	Chip Resistor:20K Ω : \pm 1%:1/10W:1608	
237	1654 2401	Resistor:2.4K Ω : \pm 1%:1/10W:1608	
238	1654 2741	Resistor:2.74K Ω : \pm 1%:1/10W:1608	
239	1654 3741	Chip Resistor:3.74K Ω : \pm 1%:1/10W:1608	
240	1654 4300	Resistor:430 Ω : \pm 1%:1/10W:1608	

Index No.	Part No.	Description	Q'ty Per Assembly
241	1654 6200	Chip Resistor:620 Ω : \pm 1%:1/10W:1608	
242	1654 6201	Chip Resistor:6.2K Ω : \pm 1%:1/10W:1608	
243	1654 6801	Resistor:6.8K Ω : \pm 1%:1/10W:1608	
244	1654 7501	Chip Resistor:7.5K Ω : \pm 1%:1/10W:1608	
245	1654 7871	Chip Resistor:7.87K Ω : \pm 1%:1/10W:1608	
246	1654 8201	Resistor:8.2K Ω : \pm 1%:1/10W:1608	
247	1654 9101	Resistor:9.1K Ω : \pm 1%:1/10W:1608	
248	1660 2101	Capacitor:100pF:50V:1608	
249	1660 2150	Capacitor:15pF:50V:1608	
250	1660 2220	Ceramic Capacitor:22pF:50V:1608	
251	1660 2470	Capacitor:47pF:50V:1608	
252	1660 4102	Capacitor:1000pF:50V:1608	
253	1660 4472	Capacitor:4700pF:50V:1608	
254	1660 6103	Capacitor:10000pF:50V:1608	
255	1660 8104	Capacitor:100000pF:25V:1608	

40.EGB Board (G133)

CAPACITOR

SYMBOL NO.	INDEX NO.	SYMBOL NO.	INDEX NO.	SYMBOL NO.	INDEX NO.	SYMBOL NO.	INDEX NO.	SYMBOL NO.	INDEX NO.	SYMBOL NO.	INDEX NO.	SYMBOL NO.	INDEX NO.
C1	154	C11	205	C21	204	C31	153	C41	208	---	---	C61	212
C2	202	C12	205	C22	212	C32	212	C42	159	C52	202	C62	154
C3	203	C13	205	C23	212	C33	154	C43	201	C53	202	C63	212
C4	205	C14	205	C24	212	C34	153	C44	159	C54	201	C64	201
C5	159	C15	205	C25	212	C35	154	C45	159	C55	208	---	---
C6	159	C16	204	C26	154	---	---	C46	212	C56	205	C66	172
C7	154	C17	212	C27	212	---	---	C47	208	C57	205	C67	212
C8	205	C18	204	C28	212	C38	205	C48	201	C58	205	C68	212
C9	205	C19	204	C29	212	C39	159	---	---	C59	205	---	---
C10	208	C20	212	C30	205	C40	212	---	---	C60	205	---	---

CAPACITOR

SYMBOL NO.	INDEX NO.	SYMBOL NO.	INDEX NO.	SYMBOL NO.	INDEX NO.	SYMBOL NO.	INDEX NO.	SYMBOL NO.	INDEX NO.	SYMBOL NO.	INDEX NO.	SYMBOL NO.	INDEX NO.
---	---	C81	159	C91	205	C101	212	---	---	C121	158	C131	212
C72	172	C82	154	C92	205	C102	151	C112	201	C122	212	C132	153
---	---	C83	205	C93	205	C103	150	C113	205	C123	212	C133	154
C74	201	C84	205	C94	205	C104	212	C114	159	C124	149	C134	159
C75	208	C85	205	C95	205	C105	152	C115	154	C125	212	C135	154
---	---	C86	154	C96	212	C106	212	C116	153	---	---	C136	153
C77	207	C87	212	C97	158	C107	154	C117	153	C127	159	C137	153
C78	212	C88	212	C98	212	C108	212	C118	158	C128	212	C138	153
C79	159	C89	205	C99	158	---	---	C119	158	C129	212	C139	154
C80	212	C90	205	C100	158	C110	208	C120	158	C130	212	C140	153

40.EGB Board (G133)

CAPACITOR

SYMBOL NO.	INDEX NO.	SYMBOL NO.	INDEX NO.	SYMBOL NO.	INDEX NO.	SYMBOL NO.	INDEX NO.	SYMBOL NO.	INDEX NO.	SYMBOL NO.	INDEX NO.	SYMBOL NO.	INDEX NO.
C141	154	C151	154	C161	153	C171	156	---	---	C191	206	C201	155
C142	154	C152	154	C162	154	C172	201	C182	205	C192	206	C202	154
C143	159	C153	154	C163	153	---	---	---	---	C193	206	C203	153
C144	154	C154	153	C164	154	---	---	---	---	C194	206	C204	153
C145	153	C155	153	C165	159	C175	159	---	---	C195	155	C205	154
C146	154	C156	153	C166	205	C176	207	---	---	C196	207	C206	206
C147	153	C157	153	C167	205	C177	212	C187	156	C197	155	C207	153
C148	159	C158	153	C168	205	C178	207	C188	207	C198	155	C208	154
C149	159	C159	154	C169	205	C179	212	C189	209	C199	155	C209	206
C150	159	C160	154	C170	157	C180	153	C190	206	C200	155	---	---

CAPACITOR

SYMBOL NO.	INDEX NO.	SYMBOL NO.	INDEX NO.	SYMBOL NO.	INDEX NO.	SYMBOL NO.	INDEX NO.	SYMBOL NO.	INDEX NO.	SYMBOL NO.	INDEX NO.	SYMBOL NO.	INDEX NO.
C211	154	C221	153	C231	207	C241	212	C251	212	C261	207	C271	207
C212	154	C222	212	C232	212	C242	207	---	---	C262	207	C272	212
C213	153	C223	212	C233	212	C243	207	C253	207	C263	207	---	---
C214	153	C224	207	C234	207	C244	212	C254	212	C264	212	---	---
C215	154	C225	212	C235	207	C245	207	C255	207	C265	212	C275	153
C216	153	C226	201	C236	207	C246	212	C256	212	C266	207	C276	201
C217	205	C227	207	C237	207	C247	153	---	---	---	---	C277	201
C218	205	C228	207	C238	212	C248	212	C258	212	C268	207	C278	201
---	---	C229	212	C239	207	C249	207	C259	212	C269	212	C279	154
---	---	C230	212	C240	212	C250	207	C260	212	C270	207	C280	208

40.EGB Board (G133)

CAPACITOR

SYMBOL NO.	INDEX NO.
C281	154
C282	208
C283	154
C284	208
C285	212
C286	201
C287	207
---	---
C289	207
C290	210

SYMBOL NO.	INDEX NO.
C291	210
C292	210
C293	210
C294	210
C295	210
C296	210
C297	210
C298	207
C299	201
C300	207

SYMBOL NO.	INDEX NO.
C301	207
C302	201
C303	207
---	---
C305	207
C306	201
C307	207
C308	212
---	---
C310	207

SYMBOL NO.	INDEX NO.
C311	206
C312	206
C313	206
C314	206
C315	201
C316	207
---	---
C318	207
C319	201
C320	207

SYMBOL NO.	INDEX NO.
---	---
C322	207
C323	201
C324	207
---	---
C326	207
C327	201
C328	207
---	---

SYMBOL NO.	INDEX NO.
---	---
C332	211
C333	211
C334	208
C335	208
C336	207
C337	207
C338	207
C339	207

CONNECTOR

SYMBOL NO.	INDEX NO.
---	---
---	---
---	---
---	---
---	---
---	---
---	---
---	---
---	---
---	---
---	---
CN150	111

CONNECTOR

SYMBOL NO.	INDEX NO.
CN151	113
CN152	105
CN153	107
CN154	106
CN155	109
CN156	110
CN157	102
CN158	103
---	---
CN160	112

SYMBOL NO.	INDEX NO.
CN161	101
---	---
CN163	104
---	---
CN165	108

DIODE

SYMBOL NO.	INDEX NO.
D1	120
D2	120
D3	120
D4	120
D5	120
D6	121
D7	120
D8	120

FIL

SYMBOL NO.	INDEX NO.
FIL1	171
FIL2	161
---	---
---	---
FIL5	170
FIL6	170

FU

SYMBOL NO.	INDEX NO.
FU1	115

IC

SYMBOL NO.	INDEX NO.
IC1	132
---	---
---	---
IC4	127
IC5	126
IC6	127
IC7	128
IC8	130
---	---
IC10	131

SYMBOL NO.	INDEX NO.
IC11	135
IC12	214
IC13	125
IC14	213
IC15	133
---	---
IC17	137
IC18	114
IC19	128
IC20	1

40.EGB Board (G133)

CAPACITOR

SYMBOL NO.	INDEX NO.
IC21	138
---	---
IC23	140
---	---
IC25	129
---	---
IC26	129
IC27	133

L

SYMBOL NO.	INDEX NO.
---	---
---	---
---	---
---	---
L5	162
---	---
---	---
---	---
L9	160
L10	160

SYMBOL NO.	INDEX NO.
L11	162
---	---
L13	163

LED

SYMBOL NO.	INDEX NO.
LED1	123
LED2	122
LED3	124

OSC

SYMBOL NO.	INDEX NO.
OSC1	143
OSC2	142

Q

SYMBOL NO.	INDEX NO.
Q1	117
Q2	117
Q3	117
Q4	116
Q5	116
---	---
Q6	119
Q7	116
Q8	118
Q9	116

RESISTOR

SYMBOL NO.	INDEX NO.
R1	176
R2	176
R3	173
R4	173
R5	173
---	---
R7	175
R8	171
R9	171
R10	171

SYMBOL NO.	INDEX NO.
R11	171
R12	171
R13	171
R14	171
R15	171
---	---
R16	171
R17	171
R18	188
R19	178
R20	188

RESISTOR

SYMBOL NO.	INDEX NO.
R21	178
R22	188
R23	178
R24	188
R25	178
---	---
R26	187
R27	187
R28	187
R29	187
R30	189

SYMBOL NO.	INDEX NO.
---	---
R32	183
R33	183
---	---
R35	176
---	---
R36	175
R37	189
---	---
R39	177
R40	175

SYMBOL NO.	INDEX NO.
R41	171
R42	187
R43	183
R44	175
R45	189
---	---
---	---
R48	171
R49	171
R50	171

SYMBOL NO.	INDEX NO.
R51	171
R52	197
R53	198
R54	191
R55	191
---	---
R56	191
R57	191
R58	176
R59	171
R60	191

SYMBOL NO.	INDEX NO.
R61	191
R62	191
R63	191
R64	198
R65	197
---	---
R66	197
R67	171
R68	191
R69	191
R70	191

SYMBOL NO.	INDEX NO.
R71	191
R72	171
R73	198
R74	176
R75	171
---	---
R76	171
R77	171
R78	171
R79	171
R80	171

SYMBOL NO.	INDEX NO.
R81	174
R82	174
R83	189
R84	176
R85	189
---	---
R86	189
R87	175
---	---
R89	175
R90	175

40.EGB Board (G133)

RESISTOR

SYMBOL NO.	INDEX NO.	SYMBOL NO.	INDEX NO.	SYMBOL NO.	INDEX NO.	SYMBOL NO.	INDEX NO.	SYMBOL NO.	INDEX NO.	SYMBOL NO.	INDEX NO.	SYMBOL NO.	INDEX NO.
---	---	R101	171	R111	171	R121	174	R131	183	R141	183	---	---
R92	176	R102	171	R112	171	R122	176	R132	183	R142	183	---	---
R93	175	R103	171	R113	171	R123	176	R133	183	R143	183	R153	183
---	---	R104	171	R114	171	R124	175	R134	183	R144	183	R154	185
R95	171	R105	197	R115	171	R125	175	R135	183	R145	184	R155	182
R96	171	R106	198	R116	171	R126	190	---	---	R146	170	R156	183
R97	171	R107	191	R117	171	R127	175	R137	183	R147	170	R157	183
---	---	R108	191	R118	183	---	---	R138	183	R148	196	R158	176
R99	171	R109	191	R119	183	R129	183	R139	183	R149	200	R159	183
R100	171	R110	191	R120	183	R130	176	R140	183	---	---	R160	174

RESISTOR

SYMBOL NO.	INDEX NO.	SYMBOL NO.	INDEX NO.	SYMBOL NO.	INDEX NO.	SYMBOL NO.	INDEX NO.	SYMBOL NO.	INDEX NO.	SYMBOL NO.	INDEX NO.	SYMBOL NO.	INDEX NO.
R161	169	R171	184	R181	183	R191	181	R201	184	R211	199	R221	187
R162	199	R172	171	R182	171	R192	181	R202	175	R212	199	R222	171
R163	169	---	---	R183	171	R193	199	R203	195	---	---	R223	176
R164	187	R174	171	R184	171	R194	199	---	---	---	---	R224	178
---	---	---	---	R185	171	---	---	---	---	---	---	R225	175
R166	184	R176	199	R186	171	R196	183	R206	189	---	---	R226	189
R167	170	R177	183	R187	174	R197	199	R207	189	R217	176	R227	189
R168	199	R178	175	R188	174	R198	199	R208	199	R218	183	R228	189
R169	199	R179	180	R189	174	---	---	R209	199	R219	174	R229	189
R170	184	---	---	R190	174	R200	194	---	---	R220	190	R230	187

40.EGB Board (G133)

RESISTOR

SYMBOL NO.	INDEX NO.
R231	176
---	---
R233	176
R234	175
R235	176
R236	176
R237	189
R238	189
R239	176
R240	175

SYMBOL NO.	INDEX NO.
R241	174
R242	174
R243	189
R244	171
R245	171
---	---
R247	171
R248	174
R249	189
R250	183

SYMBOL NO.	INDEX NO.
R251	176
R252	183
R253	199
R254	199
---	---
R256	199
R257	175
R258	176
R259	192
R260	192

SYMBOL NO.	INDEX NO.
R261	192
R262	193
R263	193
R264	193
R265	175
R266	175
R267	175
R268	179
R269	179
R270	179

SYMBOL NO.	INDEX NO.
R271	179
R272	176
R273	176
R274	179
R275	176
R276	179
R277	199
R278	186
R279	186
---	---

SYMBOL NO.	INDEX NO.
---	---
R282	186
R283	186
R284	186
R285	186
R286	186
R287	186

REG

SYMBOL NO.	INDEX NO.
REG1	139
REG2	141
---	---
---	---
REG5	139
REG6	134
REG7	134
REG8	136

RN

SYMBOL NO.	INDEX NO.
---	---
---	---
---	---
---	---
RN5	146
RN6	166
RN7	166
RN8	144
RN9	148
RN10	165

SYMBOL NO.	INDEX NO.
RN11	166
RN12	166
RN13	166
RN14	166
RN15	144
RN16	148
RN17	144
RN18	148
RN19	145
RN20	148

SYMBOL NO.	INDEX NO.
RN21	166
RN22	166
RN23	166
RN24	168
RN25	166
RN26	166
RN27	164
---	---
---	---
RN30	164

SYMBOL NO.	INDEX NO.
RN31	164
RN32	164
RN33	164
RN34	164
RN35	164
RN36	164
RN37	164
RN38	147
RN39	164
RN40	164

SYMBOL NO.	INDEX NO.
RN41	147
RN42	166
RN43	166
RN44	165
RN45	164
RN46	164
RN47	164
RN48	144
RN49	167
RN50	167

SYMBOL NO.	INDEX NO.
RN51	144
RN52	144
RN53	144
RN54	144
RN55	144
RN56	147
RN57	147
RN58	147
RN59	147
RN60	145

SYMBOL NO.	INDEX NO.
RN61	147
RN62	144
RN63	145
RN64	147
RN65	144

40.EGB Board (G133)

Index No.	Part No.	Description	Q'ty Per Assembly
*	G133 5162	PCB:EGB:AP-P:ASS'Y	1
1	B188 5350	LSI:MB87M4290	1

Index No.	Part No.	Description	Q'ty Per Assembly
101	1102 4203	Connector:292132-4	
102	1102 4211	Connector:1-292132-2	
103	1102 6298	Connector:53324-0560	
104	1102 6299	Connector:53324-0660	
105	1102 6597	Connector	
106	1102 8544	Connector:1-292207-3	
107	1102 8781	Connector:1-292207-2	
108	1102 9112	Connector:292207-8	
109	1102 9121	Connector:2-292208-4	
110	1102 9122	Connector:2-292208-6	
111	1102 9606	Connector:200RS-JUK-GB	
112	1103 3176	Connector:FH12-45S-0.5SH(89)	
113	1103 3179	Connector:FH12-50S-0.5SV(89)	
114	1104 0511	IC Socket:8P:DICF-8CS-E	
115	1107 1083	Fuse:Sst 4	
116	1400 0688	Transistor DTC143ZUA	
117	1400 0775	Transistor:2SC4081	
118	1400 0810	Transistor:DTC114EUA	
119	1400 0992	Transistor:DTC124XUA	
120	1402 1336	Diode:1SS355	
121	1402 1343	Diode:RB160L-40	
122	1403 0953	LED:SML-310MT	
123	1403 0978	LED:SML-310DT	
124	1403 0996	LED:SML-310VT	
125	1407 5347	IC:SN74LV08APW	
126	1407 5373	IC:SN74LV21APW	
127	1407 5392	IC:SN74LV541APW	
128	1407 5463	IC:SN74LV245APW	
129	1407 6101	Cmos Logic:SN74LVC2G17DCK	
130	1407 6166	Custom IC:ESOC	
131	1407 6447	Custom IC:Gavd Type-W	
132	1408 1550	Operational Amplifier:LM2902PW	
133	1408 1653	Operational Amplifier:LMV324IPW	
134	1408 1669	Series Regulator:R1170H331B-FB	
135	1408 1826	IC:R3112Q421A-FA	

Index No.	Part No.	Description	Q'ty Per Assembly
136	1408 1850	Series Regulator:R1170H181B-FB	
137	1408 1907	IC:R3112Q451A-FA	
138	1408 1962	IC:PQ1CZ41H2ZPH	
139	1408 2016	Series Regulator:R1114Q181B-FA	
140	1408 2024	IC:R3112Q261A-FA	
141	1408 2236	Series Regulator:BH18FB1WG	
142	1503 1013	Crystal Oscillator:24.3MHZ	
143	1503 1215	Crystal Oscillator:17.5MHZ	
144	1601 7752	Resistor:10K Ω : \pm 5%:4	
145	1601 7791	Resistor Array	
146	1601 7796	Resistor	
147	1601 7867	Resistor:33 Ω : \pm 5%:1/16W:4Number	
148	1601 7871	Resistor:68 Ω : \pm 5%:1/16W:4Number	
149	1604 4894	Capacitor:100UF: \pm 20%:16V	
150	1604 5002	Capacitor:220UF: \pm 20%:6.3V	
151	1604 5046	Capacitor:150UF: \pm 20%:10V	
152	1604 5618	Capacitor:150UF: \pm 20%:10V	
153	1605 1137	Capacitor:470pF: \pm 10%:50V	
154	1605 1148	Capacitor:0.1UF:+80-20%:50V	
155	1605 1186	Capacitor:220pF: \pm 10%:50V	
156	1605 1190	Capacitor:0.022UF: \pm 10%:50V	
157	1605 1281	Capacitor - 0.22 μ F \pm 10% 16v	
158	1605 1295	Capacitor:10UF:+80-20%:10V	
159	1605 1347	Capacitor:1UF:+80-20%:16V	
160	1607 1196	Inductor:SLF7045-221MR33-pF	
161	1607 1536	Filter:NFM21PC105B1A3B	
162	1607 1606	Inductor:NLFC453232-150K-pF	
163	1607 1707	Inductor:CDRH5D28RNP-150NC	
164	1609 0005	Resistor:33 Ω : \pm 5%:1/16W	
165	1609 0006	Resistor:10k Ω : \pm 5%:1/16W	
166	1609 0007	Resistor - 68 Ω \pm 5% 1/16W	
167	1609 0012	Chip Resistor:3.3K Ω : \pm 5%:1/16W:8p	
168	1609 0017	Chip Resistor:150 Ω : \pm 5%:1/16W:8p	
169	1610 1427	Resistor:15 Ω : \pm 5%:1W 6332	
170	1633 0000	Resistor:0 Ω :2125	

Index No.	Part No.	Description	Q'ty Per Assembly
171	1634 0000	Resistor:0 Ω :1608	
172	1644 0100	Capacitor:10UF: \pm 20%:10V	
173	1650 2680	Chip Resistor:68 Ω : \pm 5%:1/4W:3216	
174	1650 4101	Resistor:100 Ω : \pm 5%:1/10W:1608	
175	1650 4102	Resistor:1K Ω : \pm 5%:1/10W:1608	
176	1650 4103	Resistor:10K Ω : \pm 5%:1/10W:1608	
177	1650 4105	Resistor:1M Ω : \pm 5%:1/10W:1608	
178	1650 4122	Resistor:1.2K Ω : \pm 5%:1/10W:1608	
179	1650 4154	Resistor:150K Ω : \pm 5%:1/10W:1608	
180	1650 4181	Resistor:180 Ω : \pm 5%:1/10W:1608	
181	1650 4222	Resistor:2.2K Ω : \pm 5%:1/10W:1608	
182	1650 4244	Resistor:240K Ω : \pm 5%:1/10W:1608	
183	1650 4330	Resistor:33 Ω : \pm 5%:1/10W:1608	
184	1650 4331	Resistor:330 Ω : \pm 5%:1/10W:1608	
185	1650 4332	Resistor:3.3K Ω : \pm 5%:1/10W:1608	
186	1650 4471	Resistor:470 Ω : \pm 5%:1/10W:1608	
187	1650 4472	Resistor:4.7K Ω : \pm 5%:1/10W:1608	
188	1650 4621	Chip Resistor:620 Ω : \pm 5%:1/10W:1608	
189	1650 4680	Resistor:68 Ω : \pm 5%:1/10W:1608	
190	1650 4821	Chip Resistor:820 Ω : \pm 5%:1/10W:1608	
191	1654 1000	Resistor:100 Ω : \pm 1%:1/10W:1608	
192	1654 1001	Resistor:1K Ω : \pm 1%:1/10W:1608	
193	1654 1801	Chip Resistor:1.8K Ω : \pm 1%:1/10W:1608	
194	1654 1802	Resistor:18K Ω : \pm 1%:1/10W:1608	
195	1654 2202	Chip Resistor:22K Ω : \pm 1%:1/10W:1608	
196	1654 3900	Chip Resistor:390 Ω : \pm 1%:1/10W:1608	
197	1654 4700	Resistor:470 Ω : \pm 1%:1/10W:1608	
198	1654 4701	Resistor:4.7K Ω : \pm 1%:1/10W:1608	
199	1654 8200	Chip Resistor:820 Ω : \pm 1%:1/10W:1608	
200	1654 9100	Chip Resistor:910 Ω : \pm 1%:1/10W:1608	
201	1660 2101	Capacitor:100pF:50V:1608	
202	1660 2120	Capacitor:12pF:50V:1608	
203	1660 2150	Capacitor:15pF:50V:1608	
204	1660 2151	Capacitor:150pF: \pm 5%:50V:1608	
205	1660 2330	Capacitor:33pF:50V:1608	

Index No.	Part No.	Description	Q'ty Per Assembly
206	1660 2470	Capacitor:47pF:50V:1608	
207	1660 4102	Capacitor:1000pF:50V:1608	
208	1660 4103	Capacitor:10000pF:50V:1608	
209	1660 4332	Capacitor:3300pF:50V 1608	
210	1660 4472	Capacitor:4700pF:50V:1608	
211	1660 6103	Capacitor:10000pF:50V:1608	
212	1660 8104	Capacitor:100000pF:25V:1608	
213	1902 0069	Sram:4M:X16:3.3V:G1	
214	1906 0094	Flash Memory:S29AI016D70TFI020	

Index No.	Part No.	Description	Q'ty Per Assembly

41.CTRL Board (G133)

BAT

SYMBOL NO.	INDEX NO.
BAT1	117

CAPACITOR

SYMBOL NO.	INDEX NO.
C1	231
C2	217
C3	231
C4	217
C5	244
C6	231
C7	246
C8	246
C9	229
C10	229

SYMBOL NO.	INDEX NO.
C11	220
C12	220
C13	220
C14	220
C15	220
C16	215
C17	215
C18	215
C19	215
C20	215

SYMBOL NO.	INDEX NO.
C21	207
C22	207
C23	215
C24	215
C25	215
C26	215
C27	215
C28	220
C29	220
C30	220

SYMBOL NO.	INDEX NO.
C31	220
C32	220
C33	216
C34	229
C35	382
C36	197
---	---
---	---
C39	196
C40	213

SYMBOL NO.	INDEX NO.
C41	227
C42	222
C43	216
C44	218
C45	235
C46	230
C47	218
C48	216
C49	227
C50	213

SYMBOL NO.	INDEX NO.
---	---
C52	216
C53	227
C54	218
---	---
C56	218
C57	239
C58	247
C59	247
C60	250

CAPACITOR

SYMBOL NO.	INDEX NO.
C61	220
C62	249
C63	382
C64	382
C65	382
C66	382
C67	382
C68	382
C69	382
C70	382

SYMBOL NO.	INDEX NO.
C71	382
C72	382
C73	382
C74	382
C75	382
C76	382
C77	382
C78	382
C79	382
C80	382

SYMBOL NO.	INDEX NO.
C81	382
C82	382
C83	216
C84	229
C85	382
C86	216
C87	216
C88	382
C89	382
C90	229

SYMBOL NO.	INDEX NO.
C91	229
C92	203
C93	216
C94	382
C95	218
C96	218
---	---
---	---
C99	218
C100	216

SYMBOL NO.	INDEX NO.
C101	228
C102	228
C103	200
C104	382
C105	224
C106	210
C107	224
C108	211
C109	218
C110	218

SYMBOL NO.	INDEX NO.
C111	218
C112	216
C113	218
C114	382
C115	231
C116	218
---	---
C118	218
C119	218
C120	216

SYMBOL NO.	INDEX NO.
C121	231
C122	218
C123	216
C124	218
C125	231
C126	216
C127	218
C128	231
C129	231
---	---

41.CTRL Board (G133)

CAPACITOR

SYMBOL NO.	INDEX NO.	SYMBOL NO.	INDEX NO.	SYMBOL NO.	INDEX NO.	SYMBOL NO.	INDEX NO.	SYMBOL NO.	INDEX NO.	SYMBOL NO.	INDEX NO.	SYMBOL NO.	INDEX NO.
C131	231	C141	235	C151	229	C161	218	---	---	C181	231	C191	231
C132	216	---	---	C152	218	C162	218	---	---	C182	199	C192	218
C133	218	---	---	C153	209	C163	218	---	---	C183	218	C193	198
C134	218	C144	217	C154	218	C164	216	C174	216	---	---	C194	198
C135	217	C145	218	C155	227	C165	218	C175	206	---	---	C195	198
---	---	C146	218	C156	227	C166	224	C176	206	C186	208	C196	217
C137	205	C147	231	C157	218	C167	204	---	---	C187	231	C197	231
C138	205	C148	218	C158	227	C168	382	C178	206	---	---	C198	229
C139	221	---	---	C159	218	C169	204	C179	206	C189	231	C199	218
C140	218	C150	218	C160	216	---	---	C180	218	C190	223	---	---

CAPACITOR

SYMBOL NO.	INDEX NO.	SYMBOL NO.	INDEX NO.	SYMBOL NO.	INDEX NO.	SYMBOL NO.	INDEX NO.	SYMBOL NO.	INDEX NO.	SYMBOL NO.	INDEX NO.	SYMBOL NO.	INDEX NO.
---	---	C211	218	C221	218	C231	220	C241	227	C251	227	C261	216
---	---	C212	218	C222	218	C232	218	C242	216	C252	227	C262	227
C203	218	C213	218	C223	211	C233	211	C243	216	C253	199	C263	206
C204	218	C214	218	C224	216	C234	216	C244	227	C254	231	C264	206
C205	218	C215	218	---	---	C235	220	C245	216	---	---	C265	227
C206	218	C216	218	C226	217	C236	229	C246	227	---	---	---	---
C207	218	C217	218	C227	235	C237	227	C247	206	---	---	---	---
C208	218	C218	218	C228	214	C238	227	C248	229	C258	216	C268	224
C209	218	C219	218	C229	215	C239	216	C249	216	C259	231	C269	216
C210	218	C220	218	C230	227	C240	206	C250	227	C260	231	C270	218

41.CTRL Board (G133)

CAPACITOR

SYMBOL NO.	INDEX NO.	SYMBOL NO.	INDEX NO.	SYMBOL NO.	INDEX NO.	SYMBOL NO.	INDEX NO.	SYMBOL NO.	INDEX NO.	SYMBOL NO.	INDEX NO.	SYMBOL NO.	INDEX NO.
C271	216	C281	231	C291	218	C301	216	C311	245	C321	231	C331	218
C272	224	C282	216	C292	216	C302	218	C312	229	C322	216	C332	224
---	---	C283	216	C293	216	C303	218	C313	237	C323	216	C333	224
---	---	---	---	C294	218	C304	216	C314	216	C324	218	C334	215
C275	231	C285	225	C295	231	C305	226	C315	218	C325	231	C335	231
C276	231	C286	210	C296	231	C306	229	C316	218	C326	199	C336	218
C277	231	C287	216	C297	231	C307	216	C317	216	C327	217	C337	218
C278	231	C288	199	C298	231	C308	229	C318	231	C328	219	C338	218
C279	231	C289	231	---	---	C309	229	C319	231	C329	224	---	---
C280	231	C290	216	C300	212	C310	218	C320	231	C330	224	---	---

CAPACITOR

SYMBOL NO.	INDEX NO.	SYMBOL NO.	INDEX NO.	SYMBOL NO.	INDEX NO.	SYMBOL NO.	INDEX NO.	SYMBOL NO.	INDEX NO.	SYMBOL NO.	INDEX NO.	SYMBOL NO.	INDEX NO.
C341	218	C351	218	C361	229	C371	218	C381	201	C391	229	C401	229
C342	235	C352	218	C362	229	C372	231	C382	218	C392	201	C402	201
C343	218	C353	218	C363	218	C373	218	C383	235	C393	201	C403	201
C344	235	C354	218	C364	218	C374	231	C384	218	C394	218	C404	231
C345	229	C355	231	C365	218	C375	201	C385	201	C395	231	C405	218
C346	218	C356	231	C366	218	C376	201	C386	201	C396	201	C406	231
C347	235	C357	229	C367	218	C377	201	C387	231	C397	201	C407	201
C348	218	C358	229	C368	218	C378	201	C388	231	C398	218	C408	201
C349	229	C359	229	C369	218	C379	201	C389	218	C399	246	C409	229
C350	218	C360	229	C370	218	C380	229	C390	229	C400	229	C410	229

41.CTRL Board (G133)

CAPACITOR

SYMBOL NO.	INDEX NO.	SYMBOL NO.	INDEX NO.	SYMBOL NO.	INDEX NO.	SYMBOL NO.	INDEX NO.	SYMBOL NO.	INDEX NO.	SYMBOL NO.	INDEX NO.	SYMBOL NO.	INDEX NO.
C411	218	C421	201	C431	218	C441	218	C451	218	C461	218	C471	229
C412	231	C422	201	C432	218	C442	218	C452	218	C462	218	C472	210
C413	218	C423	201	C433	218	C443	218	C453	235	C463	229	C473	218
C414	201	C424	201	C434	218	C444	229	C454	235	C464	229	C474	218
C415	201	C425	201	C435	218	C445	218	C455	218	C465	236	C475	229
C416	218	C426	231	C436	218	C446	218	C456	229	C466	231	C476	210
C417	201	C427	218	C437	218	C447	235	C457	235	---	---	C477	218
C418	229	C428	235	---	---	C448	218	C458	229	C468	218	C478	236
C419	218	C429	218	C439	202	C449	218	C459	220	C469	231	C479	218
C420	218	C430	218	C440	235	C450	218	C460	229	C470	231	C480	218

CAPACITOR

SYMBOL NO.	INDEX NO.	SYMBOL NO.	INDEX NO.	SYMBOL NO.	INDEX NO.	SYMBOL NO.	INDEX NO.	SYMBOL NO.	INDEX NO.	SYMBOL NO.	INDEX NO.	SYMBOL NO.	INDEX NO.
C481	218	C491	218	C501	218	C511	229	C521	229	C531	218	C541	218
C482	218	C492	218	C502	218	C512	218	C522	231	C532	218	C542	218
C483	218	C493	229	C503	218	C513	236	C523	215	C533	215	C543	218
C484	218	C494	218	C504	218	C514	218	C524	218	C534	229	C544	218
C485	218	C495	229	C505	229	C515	218	C525	229	C535	218	C545	218
C486	218	C496	218	C506	218	C516	236	C526	218	---	---	C546	218
C487	218	C497	236	C507	218	C517	229	C527	218	C537	218	C547	218
C488	218	C498	218	C508	218	C518	218	C528	218	C538	231	C548	218
C489	218	C499	218	C509	218	C519	236	C529	218	C539	218	C549	218
C490	218	C500	229	C510	229	C520	218	C530	218	C540	218	C550	218

41.CTRL Board (G133)

CAPACITOR

SYMBOL NO.	INDEX NO.	SYMBOL NO.	INDEX NO.	SYMBOL NO.	INDEX NO.	SYMBOL NO.	INDEX NO.	SYMBOL NO.	INDEX NO.	SYMBOL NO.	INDEX NO.	SYMBOL NO.	INDEX NO.
C551	218	C561	236	C571	218	C581	218	C591	231	C601	218	C611	209
C552	231	C562	218	C572	218	C582	218	C592	231	C602	218	C612	218
---	---	C563	236	C573	218	C583	218	---	---	C603	232	C613	218
C554	218	C564	236	C574	218	---	---	C594	231	C604	209	C614	218
C555	218	C565	236	C575	218	---	---	C595	229	C605	218	C615	218
C556	218	C566	218	C576	218	C586	216	C596	218	C606	218	C616	218
C557	218	C567	218	C577	218	C587	218	C597	229	C607	218	C617	199
C558	218	C568	229	C578	218	C588	216	C598	218	C608	218	C618	218
C559	218	C569	229	C579	218	C589	218	C599	209	C609	218	C619	218
C560	218	C570	218	C580	218	C590	227	C600	232	C610	218	C620	229

CAPACITOR

SYMBOL NO.	INDEX NO.	SYMBOL NO.	INDEX NO.	SYMBOL NO.	INDEX NO.	SYMBOL NO.	INDEX NO.	SYMBOL NO.	INDEX NO.	SYMBOL NO.	INDEX NO.	SYMBOL NO.	INDEX NO.
C621	218	C632	218	C642	218	C652	231	C662	231	C672	216	---	---
C622	229	C633	209	C643	218	C653	229	C663	231	C673	224	C683	220
C623	218	C634	229	C644	229	---	---	C664	218	C674	218	C684	242
---	---	C635	218	C645	231	C655	229	C665	231	C675	216	C685	247
C625	218	C636	218	C646	218	C656	229	C666	231	C676	224	C686	250
---	---	---	---	C647	218	C657	218	C667	231	C677	224	C686	235
C627	229	---	---	C648	218	C658	229	C668	218	C678	218	C687	382
C628	229	C639	209	C649	218	C659	235	C669	218	C679	230	C688	382
C629	218	C640	218	C650	229	---	---	C670	218	C680	216	C689	382
C630	218	C641	218	C651	209	C661	231	C671	218	---	---	C690	382
C631	218												

41.CTRL Board (G133)

CAPACITOR

SYMBOL NO.	INDEX NO.	SYMBOL NO.	INDEX NO.	SYMBOL NO.	INDEX NO.	SYMBOL NO.	INDEX NO.	SYMBOL NO.	INDEX NO.	SYMBOL NO.	INDEX NO.	SYMBOL NO.	INDEX NO.
C691	382	C701	382	C711	229	C721	382	C731	382	C741	229	C751	231
C692	382	C702	382	C712	382	C722	382	C732	382	C742	382	C752	231
C693	382	C703	382	C713	229	C723	229	C733	229	C743	382	C753	229
C694	382	C704	382	C714	382	C724	382	C734	229	C744	229	C754	234
C695	382	C705	382	C715	216	C725	229	C735	229	C745	382	C755	234
C696	382	C706	382	C716	382	C726	382	C736	229	C746	382	C756	234
C697	382	C707	229	C717	229	C727	382	C737	229	C747	382	C757	234
C698	382	C708	229	C718	382	---	---	C738	229	C748	382	C758	382
C699	382	C709	216	C719	229	C729	382	C739	229	C749	231	C759	229
C700	382	C710	216	C720	229	C730	382	C740	229	C750	231	C760	229

CAPACITOR

SYMBOL NO.	INDEX NO.	SYMBOL NO.	INDEX NO.	SYMBOL NO.	INDEX NO.	SYMBOL NO.	INDEX NO.	SYMBOL NO.	INDEX NO.	SYMBOL NO.	INDEX NO.	SYMBOL NO.	INDEX NO.
C761	229	C771	231	C781	229	C791	382	C801	229	C811	224	C821	218
C762	229	C772	231	C782	229	C792	231	---	---	C812	200	C822	215
C763	229	C773	231	C783	229	C793	231	---	---	C813	382	C823	227
C764	382	C774	231	C784	231	C794	231	C804	227	C814	200	C824	224
C765	382	C775	234	C785	382	C795	231	C805	200	C815	238	C825	244
C766	382	C776	234	C786	229	C796	234	C806	224	C816	248	---	---
C767	382	C777	234	C787	382	C797	234	C807	224	C817	231	C827	244
C768	382	C778	234	C788	382	C798	234	C808	218	C818	199	C828	250
C769	382	C779	229	C789	382	C799	234	C809	235	C819	229	C829	220
C770	229	C780	229	C790	382	C800	382	C810	224	C820	231	C830	249

41.CTRL Board (G133)

CAPACITOR

SYMBOL NO.	INDEX NO.	SYMBOL NO.	INDEX NO.	SYMBOL NO.	INDEX NO.	SYMBOL NO.	INDEX NO.	SYMBOL NO.	INDEX NO.	SYMBOL NO.	INDEX NO.	SYMBOL NO.	INDEX NO.
C831	231	C841	233	C851	382	---	---	C871	218	C881	227	---	---
C832	217	C842	233	C852	229	C862	218	C872	382	C882	227	C892	231
C833	233	C843	227	---	---	---	---	C873	227	C883	227	C893	230
C834	233	C844	227	---	---	---	---	C874	227	C884	227	C894	244
C835	233	C845	240	C855	243	---	---	C875	227	C885	227	C895	235
C836	233	C846	227	C856	243	C866	216	C876	227	C886	227	C896	218
C837	233	C847	227	C857	200	C867	218	C877	227	C887	235	C897	231
C838	233	C848	240	---	---	C868	218	C878	227	C888	224	C898	230
C839	233	C849	216	C859	218	---	---	C879	227	C889	241	C899	199
C840	233	C850	248	---	---	C870	218	C880	227	C890	244	C900	218

CAPACITOR

SYMBOL NO.	INDEX NO.
C901	217
C902	231
C903	235
C904	230
C905	231
C906	218
---	---
C908	208
C909	208
C910	208

SYMBOL NO.	INDEX NO.
C911	208

CONNECTOR

SYMBOL NO.	INDEX NO.
CN100	106

CONNECTOR

SYMBOL NO.	INDEX NO.
CN101	105
CN102	105
CN103	111
---	---
CN105	104
CN106	107
CN107	107
CN108	107
CN109	108
CN110	108

SYMBOL NO.	INDEX NO.
---	---
---	---
CN113	109
---	---
CN115	101
---	---
CN117	110
---	---
CN119	102
---	---

SYMBOL NO.	INDEX NO.
---	---
CN122	103

DIODE

SYMBOL NO.	INDEX NO.
D1	136
D2	139
D3	139
D4	137
D5	138
---	---
D7	138
D8	136
D9	137
D10	138

SYMBOL NO.	INDEX NO.
D11	140
D12	138
D13	138
D14	138
D15	136
D16	136
D17	138
---	---
---	---
D20	140

41. CTRL Board (G133)

DIODE

SYMBOL NO.	INDEX NO.
D21	140

FIL

SYMBOL NO.	INDEX NO.
FIL1	253
FIL2	253
FIL3	256
---	---
FIL5	252
---	---
FIL6	252
FIL7	251
---	---
FIL9	256
FIL10	251

FUSE

SYMBOL NO.	INDEX NO.
FIL11	251

SYMBOL NO.	INDEX NO.
---	---
---	---
FU3	113
FU4	114
FU5	114
---	---
FU6	114

IC

SYMBOL NO.	INDEX NO.
IC1	176
IC2	147
IC3	178
IC4	163
---	---
---	---
IC6	184
---	---
---	---
IC9	153
IC10	383

SYMBOL NO.	INDEX NO.
---	---
IC12	152
IC13	154
---	---
IC15	183
IC16	384
IC17	384
IC18	2
IC19	151
IC20	164
IC21	170

SYMBOL NO.	INDEX NO.
---	---
IC23	146
IC24	172
IC25	145
---	---
---	---
IC27	166
IC28	166
IC29	143
---	---
---	---

IC

SYMBOL NO.	INDEX NO.
IC32	160
---	---
IC34	180
IC35	176
---	---
---	---
IC37	159
IC38	169
---	---
IC40	180
IC41	171

SYMBOL NO.	INDEX NO.
IC42	175
IC43	4
IC44	167
IC45	177
---	---
IC46	155
---	---
IC48	162
---	---
---	---
IC51	3

SYMBOL NO.	INDEX NO.
IC52	159
IC53	171
IC54	159
---	---
---	---
IC56	147
IC57	156
IC58	150
IC59	179
IC60	173
IC61	168

SYMBOL NO.	INDEX NO.
---	---
IC63	182
IC64	157
IC65	148
---	---
IC66	158
IC67	150
IC68	148
---	---
IC70	161
IC71	144

SYMBOL NO.	INDEX NO.
IC72	384
IC73	384
IC74	180
IC75	175
---	---
---	---
---	---
IC79	169
IC80	159
IC81	165

SYMBOL NO.	INDEX NO.
IC82	149
IC83	180

ISC

SYMBOL NO.	INDEX NO.
ISC8	112

JP

SYMBOL NO.	INDEX NO.
JP1	322
JP2	271
JP3	271
JP4	271
JP5	271
---	---
JP6	271
JP7	271
JP8	271
JP9	271

41.CTRL Board (G133)

L

SYMBOL NO.	INDEX NO.
L1	258
L2	257
L3	259
L4	259
L5	255
L6	254

LED

SYMBOL NO.	INDEX NO.
LED1	142
LED2	142
LED3	142
LED4	142
LED5	142
LED6	142
LED7	142
LED8	142
LED9	142
LED10	141

MS

SYMBOL NO.	INDEX NO.
MS1	1
MS2	1

OSC

SYMBOL NO.	INDEX NO.
OSC1	185
OSC2	187
OSC3	188
OSC4	189
OSC5	186
OSC6	186

Q

SYMBOL NO.	INDEX NO.
Q1	127
Q2	133
Q3	132
Q4	135
Q5	128
Q6	134
Q7	131
Q8	131
Q9	124
Q10	129

SYMBOL NO.	INDEX NO.
Q11	122
Q12	126
Q13	119
Q14	119
Q15	122
Q16	122
Q17	123
Q18	122
Q19	131
Q20	129

SYMBOL NO.	INDEX NO.
Q21	118
Q22	125
Q23	122
Q24	125
Q25	133
Q26	133
Q27	132
Q28	132
Q29	122
Q30	121

Q

SYMBOL NO.	INDEX NO.
Q31	125
Q32	125
Q33	122
Q34	122
---	---
Q36	123
Q37	122
Q38	120
Q39	122
Q40	134

SYMBOL NO.	INDEX NO.
Q41	130

RESISTOR

SYMBOL NO.	INDEX NO.
R1	294
R2	277
R3	277
R4	287
R5	294
R6	271
R7	271
R8	277
R9	277
R10	277

SYMBOL NO.	INDEX NO.
R11	277
R12	277
R13	277
R14	277
R15	367
---	---
R17	276
R18	367
R19	367
R20	361

SYMBOL NO.	INDEX NO.
R21	361
R22	326
R23	326
R24	326
R25	326
R26	326
R27	326
R28	326
R29	326
R30	340

SYMBOL NO.	INDEX NO.
---	---
R32	273
---	---
---	---
---	---
---	---
R37	268
R38	292
R39	274
R40	274

SYMBOL NO.	INDEX NO.
R41	368
R42	324
R43	373
R44	292
R45	274
R46	274
R47	270
R48	277
R49	300
R50	277

41.CTRL Board (G133)

RESISTOR

SYMBOL NO.	INDEX NO.	SYMBOL NO.	INDEX NO.	SYMBOL NO.	INDEX NO.	SYMBOL NO.	INDEX NO.	SYMBOL NO.	INDEX NO.	SYMBOL NO.	INDEX NO.	SYMBOL NO.	INDEX NO.
R51	308	---	---	R71	308	R81	271	R91	304	R101	361	R111	340
R52	308	---	---	R72	308	R82	271	R92	304	R102	361	R112	340
R53	308	R63	322	---	---	R83	271	R93	304	R103	361	R113	340
---	---	---	---	R74	277	R84	367	R94	304	R104	361	R114	340
---	---	---	---	R75	277	R85	367	R95	367	R105	340	R115	340
---	---	---	---	---	---	R86	367	R96	367	R106	340	R116	340
---	---	R67	322	---	---	R87	367	R97	367	R107	340	R117	360
R58	322	R68	277	R78	277	R88	304	R98	367	R108	340	R118	340
---	---	R69	277	---	---	R89	304	R99	328	R109	340	---	---
R60	322	---	---	R80	300	R90	304	R100	328	R110	340	R120	346

RESISTOR

SYMBOL NO.	INDEX NO.	SYMBOL NO.	INDEX NO.	SYMBOL NO.	INDEX NO.	SYMBOL NO.	INDEX NO.	SYMBOL NO.	INDEX NO.	SYMBOL NO.	INDEX NO.	SYMBOL NO.	INDEX NO.
R121	346	R131	361	R141	333	R151	312	R161	300	R171	271	R181	277
---	---	R132	291	R142	324	R152	276	R162	271	R172	271	R182	308
R123	346	R133	291	R143	277	---	---	R163	278	R173	271	R183	323
R124	346	R134	291	R144	333	R154	324	R164	306	R174	278	R184	324
R125	346	R135	277	R145	333	R155	312	R165	342	R175	308	---	---
R126	346	R136	277	R146	333	R156	361	R166	271	---	---	R186	277
---	---	R137	278	R147	333	R157	271	R167	296	---	---	R187	324
R128	311	R138	278	R148	277	R158	324	---	---	R178	278	R188	277
R129	305	R139	278	R149	333	R159	300	R169	359	R179	277	R189	300
R130	361	R140	361	R150	312	---	---	R170	337	---	---	R190	277

41.CTRL Board (G133)

RESISTOR

SYMBOL NO.	INDEX NO.	SYMBOL NO.	INDEX NO.	SYMBOL NO.	INDEX NO.	SYMBOL NO.	INDEX NO.	SYMBOL NO.	INDEX NO.	SYMBOL NO.	INDEX NO.	SYMBOL NO.	INDEX NO.
---	---	---	---	R211	312	---	---	R231	298	R241	304	R251	300
---	---	---	---	---	---	---	---	R232	312	R242	277	R252	298
---	---	---	---	R213	312	R223	277	R233	298	R243	322	R253	298
R194	277	R204	308	R214	271	R224	312	R234	298	R244	278	R254	298
---	---	R205	278	R215	312	R225	312	R235	298	R245	312	R255	312
R196	277	R206	294	---	---	R226	312	R236	298	R246	298	R256	277
R197	277	R207	296	---	---	R227	312	R237	312	R247	312	R257	277
R198	276	R208	294	R218	276	R228	312	R238	312	R248	304	R258	300
---	---	R209	277	R219	312	R229	312	R239	312	R249	312	R259	322
---	---	---	---	R220	312	---	---	R240	304	R250	298	R260	277

RESISTOR

SYMBOL NO.	INDEX NO.	SYMBOL NO.	INDEX NO.	SYMBOL NO.	INDEX NO.	SYMBOL NO.	INDEX NO.	SYMBOL NO.	INDEX NO.	SYMBOL NO.	INDEX NO.	SYMBOL NO.	INDEX NO.
R261	322	R271	322	R281	300	R291	277	R301	294	R311	277	R321	311
R262	294	R272	279	R282	322	R292	334	R302	294	R312	312	R322	300
R263	322	R273	277	R283	276	R293	277	R303	294	R313	312	R323	311
R264	277	R274	323	R284	277	R294	277	R304	287	R314	312	R324	277
R265	322	R275	277	R285	356	R295	277	R305	287	R315	300	R325	294
R266	312	R276	277	R286	322	R296	283	R306	312	R316	274	R326	294
R267	322	R277	277	---	---	R297	277	R307	287	R317	274	R327	294
R268	322	R278	277	---	---	R298	294	R308	322	R318	294	R328	274
R269	279	R279	312	R289	312	R299	299	R309	287	R319	294	R329	274
R270	322	R280	322	R290	277	R300	299	R310	322	R320	294	R330	306

41.CTRL Board (G133)

RESISTOR

SYMBOL NO.	INDEX NO.	SYMBOL NO.	INDEX NO.	SYMBOL NO.	INDEX NO.	SYMBOL NO.	INDEX NO.	SYMBOL NO.	INDEX NO.	SYMBOL NO.	INDEX NO.	SYMBOL NO.	INDEX NO.
R331	310	---	---	R351	294	R361	286	R371	294	R381	277	R391	294
R332	271	---	---	R352	294	R362	304	R372	294	R382	275	R392	298
R333	277	---	---	---	---	R363	322	R373	294	R383	278	R393	298
R334	335	---	---	R354	304	R364	277	R374	316	R384	298	R394	274
R335	294	---	---	---	---	R365	294	R375	319	R385	285	R395	274
R336	277	---	---	R356	294	R366	294	R376	294	R386	278	---	---
R337	277	R347	277	R357	322	R367	300	---	---	R387	294	R397	294
---	---	R348	322	R358	277	R368	294	R378	277	R388	280	R398	277
R339	277	---	---	R359	294	---	---	R379	278	R389	294	R399	277
R340	273	---	---	R360	286	---	---	R380	298	R390	294	R400	277

RESISTOR

SYMBOL NO.	INDEX NO.	SYMBOL NO.	INDEX NO.	SYMBOL NO.	INDEX NO.	SYMBOL NO.	INDEX NO.	SYMBOL NO.	INDEX NO.	SYMBOL NO.	INDEX NO.	SYMBOL NO.	INDEX NO.
R401	277	R411	294	R421	277	R431	271	R441	361	R451	276	R461	377
R402	277	R412	294	R422	322	R432	297	R442	367	R452	326	R462	324
R403	294	R413	300	R423	307	R433	282	R443	367	R453	286	R463	352
R404	294	R414	322	R424	276	R434	283	R444	367	R454	286	R464	322
R405	274	R415	300	R425	289	R435	276	R445	354	R455	277	R465	377
R406	274	R416	277	R426	294	R436	345	R446	361	---	---	R466	277
R407	274	R417	277	R427	277	R437	329	R447	354	---	---	R467	284
R408	274	R418	300	R428	270	R438	287	R448	361	R458	315	R468	277
R409	274	R419	322	R429	277	R439	361	R449	322	R459	275	R469	275
R410	274	R420	294	R430	278	R440	361	R450	367	R460	348	R470	276

41.CTRL Board (G133)

RESISTOR

SYMBOL NO.	INDEX NO.	SYMBOL NO.	INDEX NO.	SYMBOL NO.	INDEX NO.	SYMBOL NO.	INDEX NO.	SYMBOL NO.	INDEX NO.	SYMBOL NO.	INDEX NO.	SYMBOL NO.	INDEX NO.
R471	276	R481	276	R491	302	R501	294	R511	277	R521	278	R531	281
R472	275	---	---	R492	302	R502	294	R512	277	R522	283	R532	274
R473	300	---	---	R493	294	R503	294	---	---	R523	294	R533	294
R474	339	R484	318	R494	302	R504	294	R514	294	---	---	R534	277
R475	322	R485	278	R495	302	R505	294	R515	294	R525	302	R535	274
---	---	R486	321	R496	324	R506	275	R516	294	R526	290	R536	281
R477	285	R487	322	R497	314	---	---	---	---	R527	290	R537	309
R478	277	R488	294	R498	314	---	---	R518	277	R528	275	R538	309
R479	338	R489	277	R499	313	R509	278	---	---	---	---	R539	309
R480	322	R490	294	R500	313	R510	277	R520	277	R530	272	R540	309

RESISTOR

SYMBOL NO.	INDEX NO.	SYMBOL NO.	INDEX NO.	SYMBOL NO.	INDEX NO.	SYMBOL NO.	INDEX NO.	SYMBOL NO.	INDEX NO.	SYMBOL NO.	INDEX NO.	SYMBOL NO.	INDEX NO.
R541	309	---	---	---	---	---	---	---	---	R601	294	R611	294
R542	309	R562	277	---	---	R582	294	---	---	R602	277	R612	277
---	---	R563	277	---	---	R583	277	R593	277	R603	277	R613	277
R544	309	R564	277	---	---	R584	277	R594	286	R604	286	R614	286
R545	309	R565	277	---	---	R585	294	R595	286	R605	294	R615	277
R546	309	---	---	---	---	R586	294	R596	286	---	---	R616	286
R547	309	---	---	---	---	R587	277	R597	286	R607	286	R617	274
R548	309	R568	274	R578	277	---	---	R598	286	R608	286	R618	277
---	---	R569	274	R579	277	---	---	R599	277	R609	286	R619	277
---	---	---	---	R580	294	---	---	R600	322	R610	277	---	---

41.CTRL Board (G133)

RESISTOR

SYMBOL NO.	INDEX NO.	SYMBOL NO.	INDEX NO.	SYMBOL NO.	INDEX NO.	SYMBOL NO.	INDEX NO.	SYMBOL NO.	INDEX NO.	SYMBOL NO.	INDEX NO.	SYMBOL NO.	INDEX NO.
R621	277	R631	294	R641	277	R651	277	R661	277	R671	294	R681	274
R622	277	R632	277	R642	286	R652	349	R662	294	R672	275	R682	294
R623	357	R633	277	R643	294	R653	277	R663	277	R673	294	R683	274
R624	277	R634	277	R644	277	R654	286	R664	294	R674	294	R684	294
R625	286	---	---	R645	317	R655	298	R665	294	R675	294	R685	294
R626	277	R636	277	R646	275	R656	277	R666	294	R676	294	R686	294
R627	286	R637	332	---	---	R657	298	R667	294	R677	274	R687	277
R628	277	R638	320	R648	286	R658	298	R668	277	R678	274	R688	277
R629	286	R639	294	R649	298	R659	294	R669	294	R679	274	R689	300
R630	294	R640	320	R650	277	R660	294	R670	294	R680	294	R690	277

RESISTOR

SYMBOL NO.	INDEX NO.	SYMBOL NO.	INDEX NO.	SYMBOL NO.	INDEX NO.	SYMBOL NO.	INDEX NO.	SYMBOL NO.	INDEX NO.	SYMBOL NO.	INDEX NO.	SYMBOL NO.	INDEX NO.
R691	300	R701	369	R711	381	R721	362	R731	340	R741	295	R751	369
---	---	---	---	R712	283	R722	340	R732	276	R742	322	R752	312
---	---	R703	330	R713	287	R723	372	R733	277	---	---	R753	312
R694	300	R704	282	R714	276	R724	276	R734	341	R744	295	R754	312
R695	312	R705	282	R715	282	R725	312	R735	277	R745	322	R755	312
---	---	R706	301	R716	276	R726	276	R736	340	R746	354	R756	312
---	---	R707	297	R717	336	R727	294	R737	280	R747	276	R757	312
---	---	R708	276	R718	378	R728	294	R738	322	R748	322	R758	312
R699	271	R709	369	R719	372	R729	312	---	---	R749	276	R759	288
---	---	R710	336	R720	340	R730	322	R740	322	R750	276	R760	372

41.CTRL Board (G133)

RESISTOR

SYMBOL NO.	INDEX NO.	SYMBOL NO.	INDEX NO.	SYMBOL NO.	INDEX NO.	SYMBOL NO.	INDEX NO.	SYMBOL NO.	INDEX NO.	SYMBOL NO.	INDEX NO.	SYMBOL NO.	INDEX NO.
R761	372	R771	294	R781	380	R791	347	R801	274	R811	277	R821	294
R762	312	R772	312	R782	361	R792	350	R802	300	R812	294	R822	294
R763	362	R773	371	R783	380	R793	376	R803	300	R813	277	R823	294
R764	343	R774	336	R784	323	R794	286	R804	322	R814	278	R824	294
R765	312	R775	370	---	---	R795	286	R805	308	R815	277	---	---
R766	354	R776	378	R786	366	R796	286	R806	275	R816	277	R826	298
R767	354	R777	336	R787	350	R797	286	R807	298	R817	277	---	---
R768	277	R778	369	R788	322	R798	286	---	---	R818	277	R828	312
R769	277	R779	322	R789	344	R799	286	R809	275	R819	277	R829	294
R770	374	R780	323	R790	363	R800	286	---	---	R820	294	R830	312

RESISTOR

SYMBOL NO.	INDEX NO.	SYMBOL NO.	INDEX NO.	SYMBOL NO.	INDEX NO.	SYMBOL NO.	INDEX NO.	SYMBOL NO.	INDEX NO.	SYMBOL NO.	INDEX NO.	SYMBOL NO.	INDEX NO.
R831	312	R841	331	R851	350	R861	312	R871	304	R881	278	---	---
R832	312	R842	300	R852	350	---	---	R872	277	R882	277	R892	277
R833	312	R843	350	R853	365	---	---	R873	311	---	---	R893	274
R834	312	R844	312	R854	355	---	---	R874	304	R884	277	R894	276
R835	277	---	---	R855	294	---	---	R875	311	---	---	R895	277
R836	277	R846	276	R856	294	R866	323	R876	300	R886	277	R896	274
R837	312	R847	350	R857	353	R867	294	R877	304	R887	277	---	---
R838	312	---	---	R858	312	R868	294	R878	304	R888	277	R898	277
R839	323	R849	322	R859	312	R869	304	R879	311	R889	277	R899	277
R840	277	R850	322	R860	312	R870	304	R880	305	R890	322	R900	277

41.CTRL Board (G133)

RESISTOR

SYMBOL NO.	INDEX NO.	SYMBOL NO.	INDEX NO.	SYMBOL NO.	INDEX NO.	SYMBOL NO.	INDEX NO.	SYMBOL NO.	INDEX NO.	SYMBOL NO.	INDEX NO.	SYMBOL NO.	INDEX NO.
---	---	---	---	R921	273	R931	304	R941	361	R951	340	R961	353
R902	277	R912	293	R922	367	R932	304	R942	361	R952	340	R962	346
---	---	---	---	R923	367	R933	367	R943	340	R953	340	R963	324
---	---	---	---	R924	367	R934	367	R944	340	R954	340	---	---
R905	300	R915	337	R925	367	R935	367	R945	340	R955	340	---	---
---	---	---	---	R926	304	R936	367	R946	340	R956	340	R966	346
R907	300	R917	325	R927	304	R937	328	R947	340	R957	340	R967	346
R908	276	---	---	R928	304	R938	328	R948	340	R958	340	R968	346
R909	310	---	---	R929	304	R939	361	R949	340	R959	340	R969	346
R910	278	R920	303	R930	304	R940	361	R950	340	R960	340	R970	346

RESISTOR

SYMBOL NO.	INDEX NO.	SYMBOL NO.	INDEX NO.	SYMBOL NO.	INDEX NO.	SYMBOL NO.	INDEX NO.	SYMBOL NO.	INDEX NO.	SYMBOL NO.	INDEX NO.	SYMBOL NO.	INDEX NO.
R971	364	R981	346	R991	277	R1001	278	R1011	351	---	---	R1031	277
R972	333	---	---	R992	294	R1002	277	---	---	R1022	277	R1032	277
---	---	R983	278	R993	294	R1003	277	R1013	277	R1023	322	---	---
R974	375	R984	277	R994	353	R1004	277	R1014	276	R1024	277	---	---
R975	375	R985	277	---	---	R1005	278	R1015	298	---	---	---	---
---	---	R986	291	R996	353	R1006	278	R1016	310	R1026	277	---	---
R977	324	R987	273	R997	361	R1007	277	R1017	277	R1027	277	---	---
R978	333	R988	333	R998	273	R1008	379	R1018	278	R1028	277	---	---
R979	346	R989	333	R999	361	R1009	278	---	---	R1029	277	---	---
R980	346	R990	333	R1000	291	R1010	358	---	---	R1030	277	R1040	273

41.CTRL Board (G133)

RESISTOR

SYMBOL NO.	INDEX NO.
R1041	273
R1042	273
R1043	273
R1044	273
R1045	273
R1046	273
R1047	273
R1048	273
R1049	273
---	---

SYMBOL NO.	INDEX NO.
R1051	294
---	---
R1053	277
---	---
---	---
---	---
---	---
---	---
R1059	294
R1060	294

SYMBOL NO.	INDEX NO.
---	---
R1062	294
R1063	294
---	---
R1065	278
R1066	294
---	---
---	---
R1069	340
---	---
R1071	276

SYMBOL NO.	INDEX NO.
R1072	324
R1073	312
R1074	312
R1075	312
R1076	312
R1077	312
R1078	322
R1079	277
R1080	324
R1081	274

SYMBOL NO.	INDEX NO.
R1082	322
R1083	322
R1084	294
---	---
---	---
---	---
---	---
---	---
---	---

SYMBOL NO.	INDEX NO.
R7002	327

REG

SYMBOL NO.	INDEX NO.
REG1	181
REG2	174

RN

SYMBOL NO.	INDEX NO.
RN1	264
RN2	265
RN3	265
RN4	265
RN5	265
RN6	265
RN7	265
RN8	265
RN9	265
RN10	265

RN

SYMBOL NO.	INDEX NO.
RN11	264
RN12	264
RN13	264
RN14	264
RN15	264
RN16	190
RN17	190
RN18	190
RN19	190
RN20	190

SYMBOL NO.	INDEX NO.
RN21	190
RN22	190
RN23	190
RN24	263
RN25	193
RN26	263
RN27	263
RN28	263
RN29	263
RN30	263

SYMBOL NO.	INDEX NO.
RN31	193
RN32	267
RN33	267
RN34	267
RN35	267
RN36	267
RN37	267
RN38	267
RN39	267
RN40	267

SYMBOL NO.	INDEX NO.
RN41	260
RN42	260
RN43	260
RN44	265
RN45	191
RN46	192
RN47	192
RN48	192
RN49	192
RN50	192

SYMBOL NO.	INDEX NO.
RN51	192
RN52	192
RN53	192
RN54	192
RN55	260
RN56	260
RN57	262
RN58	262
RN59	191
RN60	191

SYMBOL NO.	INDEX NO.
RN61	191
RN62	191
RN63	191
RN64	191
RN65	191
RN66	191
RN67	191
RN68	192
RN69	192
RN70	192

SYMBOL NO.	INDEX NO.
RN71	194
RN72	194
RN73	194
RN74	194
RN75	194
RN76	194
RN77	194
RN78	194
RN79	194
RN80	194

41.CTRL Board (G133)

RESISTOR

SYMBOL NO.	INDEX NO.
RN81	261
RN82	261
RN83	264
RN84	264
RN85	264
RN86	264
RN87	264
RN88	264
RN89	190
RN90	190

SYMBOL NO.	INDEX NO.
RN91	190
RN92	190
RN93	190
RN94	190
RN95	190
RN96	190
RN97	263
RN98	263
RN99	195
RN100	263

SYMBOL NO.	INDEX NO.
RN101	263
RN102	266
RN103	266
RN104	266
RN105	266

SW

SYMBOL NO.	INDEX NO.
SW1	115
SW2	116
SW3	115
SW4	116

41.CTRL Board (G133)

Index No.	Part No.	Description	Q'ty Per Assembly
*	G133 5701	PCB:Type-JBX4:Ass'Y	1
1	B132 5798	IC:Violin	1
2	G133 5760	ASIC:Quena2	1
3	G133 5790	Flash Memory:Bios:A-P1D:JBX4	1

Index No.	Part No.	Description	Q'ty Per Assembly
101	1102 5303	3.5:Connector:ST:4P	
102	1102 6295	Connector:53324-0260	
103	1102 7615	Connector:B8B-XH-A(LF)(SN)	
104	1102 8329	Connector:UBB-4R-D14C(LF)(SN)	
105	1102 8832	Connector:DM-3D4-B3200	
106	1102 9535	Connector:200PS-JUK-G-B	
107	1102 9605	Connector:FPS009-2602-0	
108	1102 9686	Connector:RHM-176P-SDK11-U1L1C	
109	1102 9689	Connector:2-1734161-4	
110	1102 9887	Connector:52588-3075	
111	1102 9890	Connector:5-1605862-2	
112	1104 0764	Ic Socket:1-390261-2	
113	1107 1095	Fuse:Sst 2	
114	1109 0044	Fuse:Minismdc200F	
115	1204 1385	B3F-1050	
116	1204 1543	Dip Switch:72D-08E	
117	1206 0072	Lithium Cell:CR2354-1VC	
118	1400 0714	Transistor:2SD1781KR	
119	1400 0715	Transistor:2SD1197KR	
120	1400 0730	Transistor:2SD1782K	
121	1400 0769	Transistor:2SA1576A	
122	1400 0775	Transistor:2SC4081	
123	1400 0810	Transistor:DTC114EUA	
124	1400 0981	Transistor:2SC3052-T112	
125	1401 0902	Fet:2SK1590-A	
126	1401 1181	Fet:2SK2157-AZ	
127	1401 1209	Fet Array:HAT2093R-E	
128	1401 1222	Fet:HAT2068R-E	
129	1401 1228	Fet:SI3433DV-E3/SI3433BDV-E3	
130	1401 1234	Fet:SSM3J02T	
131	1401 1296	Fet:TPC8115	
132	1401 1317	Fet:HAT2197R-E	
133	1401 1318	Fet:HAT2198R-E	
134	1401 1320	Fet:TPC8107	
135	1401 1411	Fet:HAT2195R-E	

Index No.	Part No.	Description	Q'ty Per Assembly
136	1402 1336	Diode:1SS355	
137	1402 1398	Diode:RB050L-40	
138	1402 1530	Diode:RB520S-30	
139	1402 1587	Diode - Rb060	
140	1402 1698	Diode - Rb	
141	1403 0953	Led:SML-310MT	
142	1403 0996	Led:SML-310VT	
143	1407 4919	IC:74VHCT244:TSSOP	
144	1407 5300	Cmos Logic:74LVC16244A:TSSOP	
145	1407 5369	IC:SH74AHCT32Pw	
146	1407 5377	Cmos Logic:SN74AHCT1G08DCK	
147	1407 5428	Cmos Logic:SN74AHC1G08DCK	
148	1407 5439	Cmos Logic:SN74AHC2G66HDCT	
149	1407 5469	IC:SN74LV07APW	
150	1407 5482	IC:SN74LVC07APW	
151	1407 5483	Cmos Logic:SN74AHC1G125DCK	
152	1407 5508	IC:SN74LV125APW	
153	1407 5523	EEPROM:M24C01-WMN6P(REV.S/W/G)	
154	1407 5528	IC:SN74LVC126APW	
155	1407 5604	Cmos Logic:SN74LVC16245ADGG	
156	1407 5790	Cmos Logic:SN74AHC2G08HDCU	
157	1407 5868	Lan Controller Lsi:DP83847ALQA56A(A8)	
158	1407 5927	Cmos Logic:SN74LVC1G14DCK	
159	1407 6101	Cmos Logic:SN74LVC2G17DCK	
160	1407 6123	Cmos Logic:SN74LVC2G125DCU	
161	1407 6126	Clock Generator:ICS950812CG	
162	1407 6127	Clock Generator:ICS960008AFLF	
163	1407 6161	Clock Generator:ICS960009CFLF	
164	1407 6187	Cmos Logic:SN74LVC1G07DCK	
165	1407 6203	Cmos Logic:SN74LVC3G07DCT	
166	1407 6205	Cmos Logic:SN74LVC1G06DCK	
167	1407 6278	ICH3:NH82801CAM(SI7A7)	
168	1407 6279	GMCH:NH82830MP(SI7A6)	
169	1407 6335	Cmos Logic:SN74LVC1G17DCK	
170	1407 6451	Cmos Logic:SN74LVC1G32DCK	

Index No.	Part No.	Description	Q'ty Per Assembly
171	1407 6455	Cmos Logic:SN74AHC1G14DCK	
172	1407 6521	Cmos Logic:TC74VHCT14AFT(K)	
173	1407 6526	Cpu:NK80530MZ866256(SI7XH)	
174	1408 1640	Series Regulator:PQ070XH02ZPH	
175	1408 1778	IC:R3112Q101A-FA	
176	1408 1779	IC:R3112Q281A-FA	
177	1408 1815	IC:R3112Q151A-FA	
178	1408 1822	IC:R3112Q201A-FA	
179	1408 1825	IC:R3112Q121A-FA	
180	1408 1826	IC:R3112Q421A-FA	
181	1408 2015	Series Regulator:PQ018EZ02ZPH	
182	1408 2057	IC:LTC3714EG#TRPBF	
183	1408 2463	DDR Terminator:TPS51116PWPG4	
184	1408 2473	IC:LTC3728LEUH-1#PBF	
185	1503 0773	Crystal Oscillator:MC-306:32.768KHZ:7pF	
186	1503 0842	Crystal Oscillator 14.31818MHZ	
187	1503 1007	Crystal Oscillator:25MHZ	
188	1503 1181	Crystal Oscillator:30MHZ	
189	1503 1239	Crystal Oscillator:25Mhz	
190	1601 7896	Resistor Array:56 Ω : \pm 5%:1/16W:4Number	
191	1601 7898	Resistor Array:33 Ω : \pm 5%:1/16W:4Number	
192	1601 7909	Resistor Array:10 Ω : \pm 5%:1/16W:4Number	
193	1601 7913	Resistor Array:22 Ω : \pm 5%:1/16W:4Number	
194	1601 7914	Resistor Array:47 Ω : \pm 5%:1/16W:4Number	
195	1601 7981	Resistor Array:100K Ω : \pm 5%:1/16W:4Number	
196	1604 4728	Capacitor:100UF: \pm 20%:16V	
197	1604 5273	Capacitor:100UF: \pm 20%:35V	
198	1604 5357	Capacitor:560UF: \pm 20%:4V	
199	1605 1124	Capacitor:4.7UF:+80-20%:10V	
200	1605 1148	Capacitor:0.1UF:+80-20%:50V	
201	1605 1176	Capacitor:0.47UF:+80-20%:16V	
202	1605 1194	Capacitor:3PF: \pm 0.25pF:50V	
203	1605 1195	Capacitor:4PF: \pm 0.25pF:50V	
204	1605 1196	Capacitor:5PF: \pm 0.25pF:50V	
205	1605 1197	Capacitor:6PF: \pm 0.5pF:50V	

Index No.	Part No.	Description	Q'ty Per Assembly
206	1605 1200	Capacitor:10PF:±0.5pF:50V	
207	1605 1201	Capacitor:12pF:±5%:50V	
208	1605 1205	Capacitor:33pF:±5%:50V	
209	1605 1206	Capacitor:47pF:±5%:50V	
210	1605 1207	Capacitor:68pF:±5%:50V	
211	1605 1208	Capacitor:100pF:±5%:50V	
212	1605 1209	Capacitor:150pF:±5%:50V	
213	1605 1210	Capacitor:180pF:±5%:50V	
214	1605 1211	Capacitor:220pF:±10%:50V	
215	1605 1212	Capacitor:470pF:±10%:50V	
216	1605 1214	Capacitor:1000pF:±10%:50V	
217	1605 1216	Capacitor:2200pF:±10%:50V	
218	1605 1221	Capacitor:100000pF:+80-20%:16V	
219	1605 1234	Capacitor:4700pF:±10%:50V	
220	1605 1240	Capacitor:0.01UF:±10%:25V	
221	1605 1249	Capacitor:0.047uf:±10%:16v	
222	1605 1275	Capacitor:820pF:±5%:50V	
223	1605 1281	Capacitor - 0.22µF±10% 16v	
224	1605 1282	Capacitor:22UF:+80-20%:10V	
225	1605 1283	Capacitor:680pF:±10%:50V	
226	1605 1284	Capacitor:1500pF:±10%:50V	
227	1605 1289	Capacitor:0.1UF:±10%:10V	
228	1605 1294	Resistor - 1000pF ±5% 50v	
229	1605 1295	Capacitor:10UF:+80-20%:10V	
230	1605 1296	Capacitor:330pF:±10%:50V	
231	1605 1303	Capacitor:0.01UF:+80-20%:50V	
232	1605 1306	Capacitor - 1µF±10% 10v	
233	1605 1307	Capacitor - 2.2µF+80-20% 11v	
234	1605 1344	Capacitor:33pF:±5%:50V	
235	1605 1347	Capacitor:1UF:+80-20%:16V	
236	1605 1352	Capacitor:82pF:±5%:50V	
237	1605 1354	Capacitor:1200pF:±5%:50V	
238	1605 1363	Capacitor - 4.7µF+80-20% 25v	
239	1605 1367	Capacitor - 0.033µF±10% 16v	
240	1605 1391	Capacitor - 22uf:±20%:6.3v	

Index No.	Part No.	Description	Q'ty Per Assembly
241	1605 1417	Capacitor:47UF:+80-20%:10V	
242	1605 1419	Capcitor:4.7uf:±10%:16v	
243	1605 1430	Capacitor:1UF:+80-20%:50V	
244	1605 1432	Capacitor:100UF:±20%:6.3V	
245	1605 1446	Capacitor:120pF:±5%:50V	
246	1605 1450	Capacitor:22UF:±10%:6.3V	
247	1605 1464	Capacitor:10UF:±20%:25V	
248	1605 1496	Resistor - 10µF+80-20% 35v	
249	1605 1544	Capacitor:330pF:±5%:50V	
250	1605 1583	Capacitor:0.1UF:±10%:16V	
251	1607 0978	Filter:BLM21PG300SN1B	
252	1607 1051	Filter:FBMJ2125HS420	
253	1607 1316	Filter - Fbmj1608hs280nt	
254	1607 1322	Inductor:LB2012B4R7M	
255	1607 1362	Choke Coil:ACM3225-800-2P	
256	1607 1489	Filter - Mmz1608b301c	
257	1607 1556	Inductor:RLF7030-1R5N6R1	
258	1607 1651	Inductor:HM73-101R0LF	
259	1607 1657	Inductor:HM73-10R68LF	
260	1609 0005	Resistor:33 Ω:±5%:1/16w	
261	1609 0006	Resistor:10k Ω:±5%:1/16w	
262	1609 0007	Resistor - 68Ω ±5% 1/16w	
263	1609 0011	Resistor:22Ω:±5%:1/16w	
264	1609 0016	Resistor:56 Ω:±5%:1/16w	
265	1609 0026	Resistor - 47Ω ±5% 1/16w	
266	1609 0027	Resistor - 100kΩ±5% 1/16w	
267	1609 0045	Resistor - 27 Ω ±5% 1/16w	
268	1610 1733	Resistor - 0.01 Ω ±1% 1w	
269	1610 1804	Resistor:0.006 Ω:±1%:1w	
270	1610 1805	Resistor:0.003 Ω:±2%:1W	
271	1632 0000	Resistor:0 Ω:3216	
272	1633 0000	Resistor:0 Ω:2125	
273	1634 0000	Resistor:0 Ω:1608	
274	1650 5100	Chip Resistor:10 Ω:±5%:1/16W	
275	1650 5101	Resistor:100 Ω:±5%:1/16W:1005	

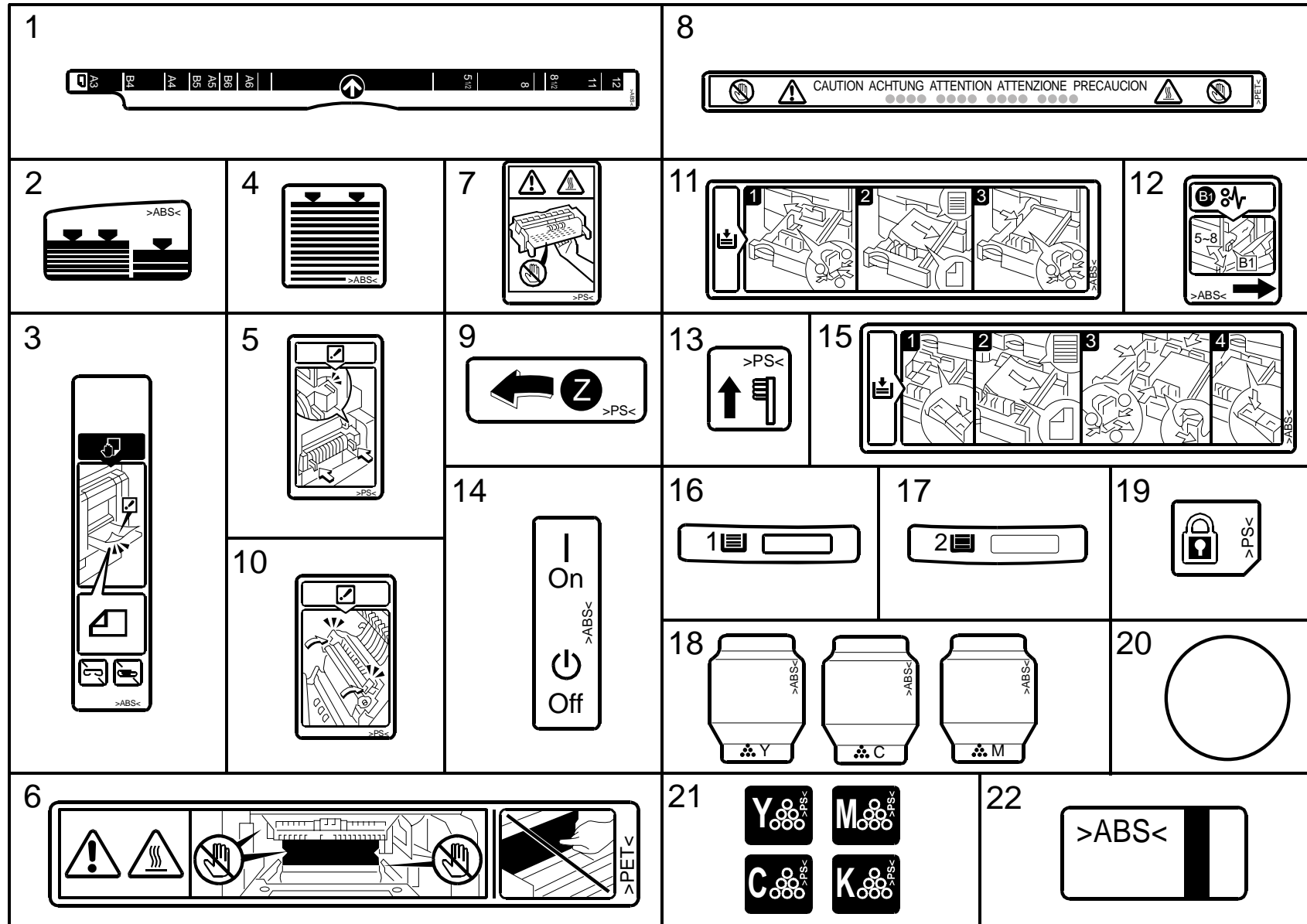
Index No.	Part No.	Description	Q'ty Per Assembly
276	1650 5102	Resistor:1K Ω : \pm 5%:1/16W:1005	
277	1650 5103	Resistor:10K Ω : \pm 5%:1/16W:1005	
278	1650 5104	Resistor:100K Ω : \pm 5%:1/16W:1005	
279	1650 5106	Resistor:10M Ω : \pm 5%:1/16W:1005	
280	1650 5109	Resistor:1 Ω : \pm 5%:1/16W:1005	
281	1650 5122	Resistor:1.2K Ω : \pm 5%:1/16W:1005	
282	1650 5151	Chip Resistor:150 Ω : \pm 5%:1/16W:1005	
283	1650 5152	Chip Resistor:1.5K Ω : \pm 5%:1/16W:1005	
284	1650 5202	Resistor:2K Ω : \pm 5%:1/16W:1005	
285	1650 5204	Chip Resistor:200K Ω : \pm 5%:1/16W:1005	
286	1650 5220	Resistor:22 Ω : \pm 5%:1/16W:1005	
287	1650 5221	Chip Resistor:220 Ω : \pm 5%:1/16W:1005	
288	1650 5222	Resistor:2.2K Ω : \pm 5%:1/16W:1005	
289	1650 5241	Resistor:240 Ω : \pm 5%:1/16W:1005	
290	1650 5271	Resistor:270 Ω : \pm 5%:1/16W:1005	
291	1650 5272	Resistor:2.7K Ω : \pm 5%:1/16W:1005	
292	1650 5274	Resistor:270K Ω : \pm 5%:1/16W:1005	
293	1650 5309	Resistor:3 Ω : \pm 5%:1/16W:1005	
294	1650 5330	Resistor:33 Ω : \pm 5%:1/16W:1005	
295	1650 5331	Chip Resistor:330 Ω : \pm 5%:1/16W:1005	
296	1650 5332	Chip Resistor:3.3K Ω : \pm 5%:1/16W:1005	
297	1650 5390	Chip Resistor:39 Ω : \pm 5%:1/16W:1005	
298	1650 5470	Resistor:47 Ω : \pm 5%:1/16W:1005	
299	1650 5471	Chip Resistor:470 Ω : \pm 5%:1/16W:1005	
300	1650 5472	Resistor:4.7K Ω : \pm 5%:1/16W:1005	
301	1650 5511	Chip Resistor:510 Ω : \pm 5%:1/16W:1005	
302	1650 5512	Resistor:5.1K Ω : \pm 5%:1/16W:1005	
303	1650 5519	Chip Resistor:5.1 Ω : \pm 5%:1/16W:1005	
304	1650 5560	Resistor:56 Ω : \pm 5%:1/16W:1005	
305	1650 5562	Resistor:5.6K Ω : \pm 5%:1/16W:1005	
306	1650 5563	Chip Resistor:56K Ω : \pm 5%:1/16W:1005	
307	1650 5569	Resistor:5.6 Ω : \pm 5%:1/16W:1005	
308	1650 5680	Resistor:68 Ω : \pm 5%:1/16W:1005	
309	1650 5681	Resistor:680 Ω : \pm 5%:1/16W:1005	
310	1650 5683	Resistor:68K Ω : \pm 5%:1/16W:1005	

Index No.	Part No.	Description	Q'ty Per Assembly
311	1650 5820	Resistor:82 Ω : \pm 5%:1/16W:1005	
312	1650 5822	Resistor:8.2K Ω : \pm 5%:1/16W:1005	
313	1653 4999	Resistor:49.9 Ω : \pm 1%:1/8W:2125	
314	1653 5499	Resistor:54.9 Ω : \pm 1%:1/8W:2125	
315	1654 1001	Resistor:1K Ω : \pm 1%:1/10W:1608	
316	1654 1004	Resistor:1M Ω : \pm 1%:1/10W:1608	
317	1654 1501	Resistor:1.5K Ω : \pm 1%:1/10W:1608	
318	1654 1502	Resistor:15K Ω : \pm 1%:1/10W:1608	
319	1654 3300	Resistor:330 Ω : \pm 1%:1/10W:1608	
320	1654 3609	Resistor:36 Ω : \pm 1%:1/10W:1608	
321	1654 8201	Resistor:8.2K Ω : \pm 1%:1/10W:1608	
322	1655 0000	Resistor:0 Ω :1005	
323	1655 1001	Resistor:1K Ω : \pm 1%:1/16W:1005	
324	1655 1002	Chip Resistor:10K Ω : \pm 1%:1/16W:1005	
325	1655 1003	Chip Resistor:100K Ω : \pm 1%:1/16W:1005	
326	1655 1009	Chip Resistor:10 Ω : \pm 1%:1/16W:1005	
327	1655 1100	Chip Resistor:110 Ω : \pm 1%:1/16W:1005	
328	1655 1200	Chip Resistor:120 Ω : \pm 1%:1/16W:1005	
329	1655 1370	Chip Resistor:137 Ω : \pm 1%:1/16W:1005	
330	1655 1409	Chip Resistor:14 Ω : \pm 1%:1/16W:1005	
331	1655 1502	Resistor:15K Ω : \pm 1%:1/16W:1005	
332	1655 1800	Resistor:180 Ω : \pm 1%:1/16W:1005	
333	1655 1801	Chip Resistor:1.8K Ω : \pm 1%:1/16W:1005	
334	1655 1829	Resistor:18.2 Ω : \pm 1%:1/16W:1005	
335	1655 2000	Chip Resistor:200 Ω : \pm 1%:1/16W:1005	
336	1655 2001	Chip Resistor:2K Ω : \pm 1%:1/16W	
337	1655 2002	Chip Resistor:20K Ω : \pm 1%:1/16W:1005	
338	1655 2003	Resistor:200K Ω : \pm 1%:1/16W:1005	
339	1655 2052	Resistor:20.5K Ω : \pm 1%:1/16W:1005	
340	1655 2209	Chip Resistor:22 Ω : \pm 1%:1/16W	
341	1655 2210	Resistor:221 Ω : \pm 1%:1/16W:1005	
342	1655 2401	Chip Resistor:2.4K Ω : \pm 1%:1/16W:1005	
343	1655 2433	Resistor:243K Ω : \pm 1%:1/16W:1005	
344	1655 2490	Resistor:249 Ω : \pm 1%:1/16W:1005	
345	1655 2679	Resistor:26.7 Ω : \pm 1%:1/16W:1005	

Index No.	Part No.	Description	Q'ty Per Assembly
346	1655 2709	Resistor:27 Ω:±1%:1/16W:1005	
347	1655 2749	Chip Resistor:27.4 Ω:±1%:1/16W:1005	
348	1655 2803	Chip Resistor:280KΩ:±1%:1/16W:1005	
349	1655 3000	Resistor:300 Ω:±1%:1/16W:1005	
350	1655 3010	Chip Resistor:301 Ω:±1%:1/16W:1005	
351	1655 3091	Resistor:3.09K Ω:±1%:1/16W:1005	
352	1655 3303	Chip Resistor:330K Ω:±1%:1/16W:1005	
353	1655 3309	Chip Resistor:33 Ω:±1%:1/16W:1005	
354	1655 3329	Resistor:33.2 Ω:±1%:1/16W:1005	
355	1655 3480	Resistor:348 Ω:±1%:1/16W:1005	
356	1655 3659	Resistor:36.5 Ω:±1%:1/16W:1005	
357	1655 3900	Resistor:390 Ω:±1%:1/16W:1005	
358	1655 4301	Resistor:4.3K Ω:±1%:1/16W:1005	
359	1655 4321	Resistor:4.32K Ω:±1%:1/16W:1005	
360	1655 4700	Chip Resistor:470 Ω:±1%:1/16W:1005	
361	1655 4709	Resistor:47 Ω:±1%:1/16W:1005	
362	1655 4750	Chip Resistor:475 Ω:±1%:1/16W:1005	
363	1655 4999	Chip Resistor:49.9 Ω:±1%:1/16W:1005	
364	1655 5109	Chip Resistor:51 Ω:±1%:1/16W	
365	1655 5119	Chip Resistor:51.1 Ω:±1%:1/16W:1005	
366	1655 5499	Resistor:54.9 Ω:±1%:1/16W:1005	
367	1655 5609	Chip Resistor:56 Ω:±1%:1/16W:1005	
368	1655 5621	Resistor:5.62K Ω:±1%:1/16W:1005	
369	1655 5629	Resistor:56.2 Ω:±1%:1/16W:1005	
370	1655 5760	Resistor:576 Ω:±1%:1/16W:1005	
371	1655 6049	Chip Resistor:60.4 Ω:±1%:1/16W:1005	
372	1655 6199	Chip Resistor:61.9 Ω:±1%:1/16W:1005	
373	1655 6342	Resistor:63.4K Ω:±1%:1/16W:1005	
374	1655 6809	Chip Resistor:68 Ω:±1%:1/16W	
375	1655 7509	Chip Resistor:75 Ω:±1%:1/16W	
376	1655 8062	Chip Resistor:80.6K Ω:±1%:1/16W:1005	
377	1655 8063	Resistor:806K Ω:±1%:1/16W:1005	
378	1655 8200	Chip Resistor:820 Ω:±1%:1/16W:1005	
379	1655 8202	Chip Resistor:82K Ω:±1%:1/16W:1005	
380	1655 8209	Chip Resistor:82 Ω:±1%:1/16W	

Index No.	Part No.	Description	Q'ty Per Assembly
381	1655 9100	Chip Resistor:910 Ω:±1%:1/16W:1005	
382	1660 8104	Capacitor:100000pF:25V:1608	
383	1906 0103	Flash Memory:SST25VF010A-33-4C-SAE	
384	1907 0057	DDR512M:8Mx16X4:333MHZ:C12.5G1	

42.Decal And Documents (G133)



Parts Index

Parts Index

Part No.	Description	Page and Index No.
G133 1244	Decal:Intermediate Transfer:Release	15 - 28
G133 1245	Decal:Intermediate Transfer:Lock	127 - 19
G133 1245	Decal:Intermediate Transfer:Lock	15 - 29
G133 1256	Sheet:Misfeed Removal:P1	11 - 18
G133 1261	Cover:Inner Back:P	13 - 11
G133 1263	Cover:Inner Back:Middle:P	13 - 12
G133 1266	Cover:Paper Exit Unit:Upper	13 - 13
G133 1267	Cover:Upper:Rear	13 - 15
G133 1268	Cover:Upper:Right	13 - 16
G133 1269	Cap:Dia17	13 - 17
G133 1274	Cover:Front Right:P:EU	13 - 3
G133 1280	Cover:Left:Middle:Filter:Ass'y	11 - 2
G133 1280	Cover:Left:Middle:Filter:Ass'y	85 - 3
G133 1283	Cover:Left:Middle:P	11 - 1
G133 1285	Decal:Cover:Left:Guide Plate	127 - 20
G133 1285	Decal:Cover:Left:Guide Plate	11 - 4
G133 1295	Ozone Filter:No.1	11 - 9
G133 1296	Ozone Filter:No.2:P	75 - 24
G133 1300	Drum Stay:PCU	15 - 14
G133 1303	Lever:Drum Stay:PCU	15 - 15
G133 1311	Decal:Drum Stay:Lever	15 - 12
G133 1336	Duct:Exit	41 - 2
G133 1341	Duct:Supply:Front	75 - 27
G133 1342	Duct:Supply:Rear	75 - 26
G133 1343	Duct:Supply:Upper Rear:P1	75 - 25
G133 1405	Operation Panel Unit	13 - 4
G133 2021	PCU:M	85 - 1
G133 2022	PCU:C	85 - 1
G133 2023	PCU:Y	85 - 1
G133 3405	Drive Unit:Toner Supply	31 - *
G133 5162	PCB:EGB:AP-P:ASS'Y	101 - *
G133 5162	PCB:EGB:AP-P:ASS'Y	59 - 3
G133 5327	Harness:IOB:EGB	59 - 7
G133 5328	Harness:EGB:TM/P:Sensor	59 - 8
G133 5343	Harness:Power Supply Unit	59 - 9

Part No.	Description	Page and Index No.
G133 5346	Harness:Power Supply Unit	61 - 6
G133 5364	Harness:Fusing Unit:P1:NA	75 - 1
G133 5365	Harness:Fusing Unit:P1:EU	75 - 1
G133 5701	PCB:Type-JBX4	65 - 11
G133 5701	PCB:Type-JBX4:Ass'Y	121 - *
G133 5740	SD-Card	65 - 22
G133 5760	ASIC:Quena2	121 - 2
G133 5790	Flash Memory:Bios:A-P1D:JBX4	121 - 3
G133 5795	Rail:Right	65 - 8
G133 5796	Rail:Left	65 - 9
G133 5797	Harness:HDD:Power Source:Apd	65 - 21
G133 5821	Rack:Auxiliary:Left Lower:P1d	65 - 10
G133 5822	Supporter:Lower	65 - 2
G133 5827	Bracket:Fan:Control Board:P1	65 - 24
G133 5862	Cover:SD-Card:P1:Upper	65 - 25
G133 5863	Cover:Sd-card:P1:Lower	65 - 4
G133 6145	Rail:Left:Intermediate Transfer	81 - 3
G133 6146	Rail:Right:Intermediate Transfer	81 - 4
G133 6260	Transfer/Separation Unit:P1-U:ASS'Y	35 - 11
G133 6260	Transfer/separation Unit:P1:Ass'y	85 - 2
G133 6281	Case:Transfer Roller:Ap-p1	35 - 15
G133 6451	Pipe:Front	79 - 9
G133 6496	Rail:Collection Bottle	77 - 8
G133 8331	Sheet:Emblem:RIC	11 - 12
G133 8332	Sheet:Emblem:SVN	11 - 12
G133 8333	Sheet:Emblem:GES:NA	11 - 12
G133 8334	Sheet:Emblem:LAN:NA	11 - 12
G133 8335	Sheet:Emblem:INF	11 - 12
G133 8336	Sheet:Emblem:NSA	11 - 12
G133 8337	Sheet:Emblem:REX	11 - 12
G133 8338	Sheet:Emblem:GES	11 - 12
G133 8339	Sheet:Emblem:LAN:EU	11 - 12
G133 8601	Manual:Saftyinfo	85 - 7
G133 8603	Manual:Saftyinfo:AP-P1	85 - 8
G133 8605	Manual:Quick:NA	85 - 9

Part No.	Description	Page and Index No.
G133 8680	Manual:Notes_Admin	85 - 10

Part No.	Description	Page and Index No.
A232 2987	Roller - Paper Tray	21 - 16
A232 2987	Roller - Paper Tray	19 - 16
A232 4666	Cushion - Stepper Motor	73 - 21
A232 8561	Safety Sheet	85 - 5
A259 6754	Bushing - 6 6mm	29 - 35
A267 2857	Spring Plate - Side Fence	19 - 28
A267 2857	Spring Plate - Side Fence	21 - 28
A267 2859	Side Fence Stopper	19 - 29
A267 2859	Side Fence Stopper	21 - 29
A267 2860	Rear Lever Stopper	19 - 27
A267 2860	Rear Lever Stopper	21 - 27
B004 2783	Torque Limiter	23 - 28
B004 2923	Spring Plate - Release Lever	19 - 20
B004 2923	Spring Plate - Release Lever	21 - 20
B024 1264	Magnet Catch	11 - 17
B044 1825	Collar	49 - 22
B044 1825	Collar	71 - 9
B044 1847	Shoulder Screw	49 - 13
B082 2781	Bracket:Sensor	23 - 6
B101 1097	Rubber Foot:H5	83 - 10
B132 5798	IC:Violin	121 - 1
B154 5869	Panel:Interface:Secc	65 - 1
B179 5995	HDD:Hitachi:40gb:Path-kai:Rohs	65 - 19
B180 2871	Shaft:Separator:Driven:Ass'y	29 - 41
B180 5445	Polygon Mirror Motor Board	17 - 1
B188 5350	LSI:MB87M4290	101 - 1
B222 1241	Inner Cover:Upper:Left:EU	15 - 1
B222 1271	Cover:Right:Front:EU	15 - 27
B222 1271	Cover:Right:Front:EU	13 - 3
B222 1281	Cover:Left:EU	11 - 3
B222 1291	Cover:Rear:EU	11 - 6
B222 5300	Harness:IOB:Main:Lower	57 - 2
B223 1065	Connector Bracket	69 - 26
B223 1067	Bracket:Sensor:Front	81 - 8
B223 1068	Bracket:Sensor:Rear	81 - 9

Part No.	Description	Page and Index No.
B223 1069	Bracket:Drawer	75 - 3
B223 1076	Separation Plate - Upper Right	79 - 13
B223 1080	Separation Plate - Upper Mliddle Right	79 - 12
B223 1084	Separation Plate - Upper Mliddle Left	79 - 11
B223 1087	Separation Plate - Upper Left	79 - 10
B223 1101	Grip:Front	79 - 22
B223 1102	Bracket:Grip:Right Front	79 - 16
B223 1103	Bracket:Hinge:Left	79 - 15
B223 1120	Bracket:Paper Feed Unit	83 - 6
B223 1123	Hinge - Cover Drum Stay	15 - 23
B223 1125	Drive Unit	67 - *
B223 1144	Holder:Positioning Sensor	67 - 6
B223 1148	Shaft:Development	67 - 13
B223 1174	Drive Unit:Collection Bottle	69 - 12
B223 1180	Bracket:Paper Feed	73 - 10
B223 1183	Grip Shaft	73 - 2
B223 1186	Drive Joint	73 - 3
B223 1187	Magnetic Clutch Bracket	73 - 12
B223 1188	Stepper Motor DC24V	73 - 16
B223 1189	Feed Drive Shaft	73 - 1
B223 1191	Bracket:Drive Unit:Registration	73 - 20
B223 1195	Bracket:Fusing Drive Sub-unit:Ass'y	75 - 10
B223 1199	DC Motor 24V	67 - 16
B223 1199	DC Motor 24V	71 - 16
B223 1207	Cover:Connector:Heater	83 - 5
B223 1212	DC Motor Bracket	63 - 6
B223 1213	DC Motor:Shutter:Unit:DC24V 3.6W	63 - 5
B223 1221	Sensor Link Bracket	63 - 9
B223 1224	Torsion Spring	63 - 7
B223 1225	Shutter Link	63 - 8
B223 1227	Sensor Shutter Bracket	63 - 18
B223 1236	Duct:Rear:1	67 - 1
B223 1237	Duct:Rear:2	67 - 4
B223 1238	Duct:Rear:3	67 - 3
B223 1239	Duct:Rear:Lower	61 - 2

Part No.	Description	Page and Index No.
B223 1241	Inner Cover:Upper:Left	15 - 1
B223 1242	Inner Cover - Left	13 - 14
B223 1243	Inner Cover:Upper:Right	15 - 26
B223 1244	Inner Cover - Middle	15 - 6
B223 1245	Cap:Grip	79 - 21
B223 1249	Stopper:Magnet Catch	15 - 22
B223 1253	Emblem Cover	11 - 11
B223 1254	Collection Bottlecover - Front	13 - 9
B223 1260	Cover:Upper	13 - 10
B223 1271	Cover:Right:Front	15 - 27
B223 1272	Cover:Right:Rear	11 - 21
B223 1274	Cover:Right Rear:Fan	11 - 16
B223 1276	Filter:Right Rear	11 - 20
B223 1279	Cleaner:Shield Glass:Ass'y	11 - 19
B223 1281	Cover:Left	11 - 3
B223 1291	Cover:Rear	11 - 6
B223 1293	Cap:Cover:Rear	11 - 10
B223 1306	Drum Stay	15 - 17
B223 1315	Ball Bearing Plate	15 - 19
B223 1316	Ball Bearing Clip	15 - 20
B223 1317	Screw:Lever:Drum Stay	15 - 21
B223 1318	Spring	15 - 16
B223 1319	Wire	15 - 18
B223 1323	Duct:IH:Front	75 - 8
B223 1324	Duct:IH:Rear	75 - 7
B223 1326	Duct:Fusing	71 - 2
B223 1327	Duct:Fusing:Rear	71 - 3
B223 1328	Bracket:Fan:Ih	41 - 7
B223 1329	Sound Proofing Material:Duct	75 - 5
B223 1331	Bracket:Fan	77 - 5
B223 1332	Fan Motor - Mm60 DC24V	77 - 6
B223 1332	Fan Motor - Mm60 DC24V	71 - 17
B223 1332	Fan Motor - Mm60 DC24V	75 - 6
B223 1344	Sponge:Ih:Fan	81 - 7
B223 1350	Stepper Motor DC5.06V	73 - 22

Part No.	Description	Page and Index No.
B223 1354	Drum Stay:Drive Unit	73 - 4
B223 1362	Cover:Fusing Drive Unit:Lower	75 - 14
B223 1364	Guide:Harness	67 - 18
B223 1370	Holder:Magnetic Clutch	67 - 11
B223 1851	Image Forming Section:Service Papts:2LD:Ass'y	17 - *
B223 1881	Cover - Upper	17 - 9
B223 1882	Cover - Polygon Motor	17 - 6
B223 1885	Shutter Ass'y	17 - 8
B223 1896	Imaging Unit Plate - Front	79 - 19
B223 1897	Imaging Unit Plate - Rear	79 - 20
B223 1898	Imaging Unit Plate - Inner	79 - 18
B223 1899	Imaging Unit Plate - Outer	79 - 17
B223 1903	Louver	17 - 5
B223 1907	Screw	17 - 7
B223 1908	Link:Shutter:1	17 - 11
B223 1909	Link:Shutter:2	17 - 10
B223 1913	Torsion Spring:Link:1	17 - 14
B223 1914	Torsion Spring:Link:2	17 - 13
B223 1988	Screw:Link:Shutter	17 - 18
B223 1989	Plate Nut:Link	17 - 12
B223 2558	Registration Roller Knob	25 - 9
B223 2570	Guide Plate:Registration:Right	25 - 20
B223 2599	Harness:Registration Sensor	25 - 17
B223 2606	Ground Plate:Rear	29 - 29
B223 2607	Ground Plate:Reverse	29 - 25
B223 2608	Gear:Z16	29 - 37
B223 2609	Guide Plate:Separator	29 - 26
B223 2619	Transport Roller:Exit:Duplex	29 - 18
B223 2621	Cover:Manual Feed Unit	29 - 4
B223 2622	Guide Plate:Exit	29 - 3
B223 2623	Cover:Guide Plate:Exit	29 - 1
B223 2624	Sheet:Guide:Exit	29 - 17
B223 2629	Stay:Feed	29 - 9
B223 2631	Rack:Manual Feed	27 - 11
B223 2632	DC Solenoid:Pickup	29 - 14

Part No.	Description	Page and Index No.
B223 2633	Spring:Release:Pickup	29 - 15
B223 2634	Support Stay:Arm	29 - 19
B223 2636	Torsion Spring:27n	29 - 20
B223 2637	Bracket:Arm:Manual Feed:Rear	29 - 32
B223 2641	Roller:Driven:Dia16	55 - 8
B223 2644	Decal:Scale	27 - 8
B223 2644	Decal:Scale	127 - 1
B223 2645	Decal:Side Fence	127 - 2
B223 2645	Decal:Side Fence	27 - 5
B223 2648	Guide Plate:Transport Unit:Exit	55 - 6
B223 2649	Spring:Pressure:5n	55 - 7
B223 2651	Arm:Manual Feed:Front	29 - 22
B223 2652	Arm:Manual Feed:Rear	29 - 33
B223 2655	Decal:Paper Set Direction	127 - 3
B223 2655	Decal:Paper Set Direction	27 - 6
B223 2657	Arm:Manual Feed:Short:Front	29 - 24
B223 2658	Arm:Manual Feed:Short:Rear	29 - 34
B223 2659	Harness:Manual Feed	29 - 16
B223 2661	Cover:Manual Feed	27 - 7
B223 2662	Manual Feed Table	27 - 14
B223 2663	Extension Tray	27 - 13
B223 2664	Cover:Manual Feed:Entrance	47 - 15
B223 2665	Spring:Cover:Manual Feed	47 - 14
B223 2666	Gear:16Z	27 - 12
B223 2667	Grip:Side Fence	27 - 3
B223 2668	Spring Plate:Stopper	27 - 4
B223 2669	Harness:Paper Size Sensor	27 - 9
B223 2675	Guide Plate - Vertical Transport	55 - 2
B223 2676	Spring - 11n	55 - 4
B223 2677	Sheet - Transport Sub-unit	55 - 1
B223 2681	Arm:Tightener	29 - 44
B223 2683	Gear:25Z	29 - 47
B223 2685	Stepper Motor:DC24V 26.4W	71 - 12
B223 2686	Gear:Z31	29 - 46
B223 2689	Gear:Z28	29 - 48

Part No.	Description	Page and Index No.
B223 2691	Bracket:Stepper Motor	71 - 10
B223 2694	Guide:Gear	71 - 6
B223 2696	Drum Stay:Drive	29 - 49
B223 2697	Side Fence:Rear	27 - 2
B223 2698	Side Fence:Front	27 - 1
B223 2702	Heat Sink:Heater:NA	83 - 4
B223 2703	Heat Sink:Heater:EU	83 - 4
B223 2705	Supporter - Left No.1	83 - 2
B223 2710	Supporter - Left No.2	83 - 1
B223 2714	Positioning Cap - Short	83 - 7
B223 2715	Supporter - Right	83 - 8
B223 2721	Bracket:Push Switch	69 - 18
B223 2722	Cover	69 - 17
B223 2727	Cover - Connector	69 - 2
B223 2730	Paper Tray Stopper Ass'y	69 - 10
B223 2750	Paper Feed Unit	23 - *
B223 2761	Pickup Arm	23 - 22
B223 2762	Feed Shaft	23 - 26
B223 2764	Gear-24z	23 - 25
B223 2765	Ground Plate - Feed	23 - 21
B223 2767	Paper End Feeler	23 - 1
B223 2772	Harness Sheet	23 - 12
B223 2773	Harness - Paper Feed Unit	23 - 3
B223 2776	Stay	23 - 9
B223 2778	Sensor Bracket	23 - 4
B223 2780	DC Solenoid 24V	23 - 8
B223 2786	Ground Plate - Front	23 - 13
B223 2810	Separate Driven Shaft	23 - 29
B223 2815	Separate Drive Shaft	23 - 34
B223 2819	Gear - 22Z	23 - 35
B223 2829	Feed Guide	23 - 17
B223 2835	Guide Plate	25 - 23
B223 2840	Guide Plate No.2	25 - 24
B223 2846	Bracket:Cover:Harness	25 - 25
B223 2848	Cover:Harness	25 - 26

Part No.	Description	Page and Index No.
B223 2851	Paper Tray:No.1:Ass'y	19 - *
B223 2857	Cover - Paper Tray No.1	19 - 7
B223 2860	Paper Tray Grip	19 - 8
B223 2860	Paper Tray Grip	21 - 8
B223 2861	Grip Holder	19 - 13
B223 2861	Grip Holder	21 - 13
B223 2862	Lever - Release Inner	19 - 10
B223 2862	Lever - Release Inner	21 - 10
B223 2863	Release Shaft	19 - 12
B223 2863	Release Shaft	21 - 12
B223 2865	Rise No.1 Shaft	21 - 24
B223 2865	Rise No.1 Shaft	19 - 24
B223 2868	Lever:Release:Paper Tray:Outer	19 - 15
B223 2868	Lever:Release:Paper Tray:Outer	21 - 15
B223 2869	Ground Plate	19 - 32
B223 2870	Side Fence - Front	19 - 18
B223 2873	Decal - Side Fence Rear	21 - 30
B223 2873	Decal - Side Fence Rear	127 - 4
B223 2873	Decal - Side Fence Rear	19 - 30
B223 2880	Side Fence - Rear	19 - 26
B223 2890	Slide Rail - Left	19 - 2
B223 2894	Slide Rail Stopper - Left	19 - 3
B223 2901	Paper Tray:No.2:Ass'y	21 - *
B223 2910	Link - Paper Size Sensor	21 - 1
B223 2911	Spacer	21 - 2
B223 2912	End Fence	19 - 17
B223 2912	End Fence	21 - 17
B223 2918	Rise Lever	19 - 25
B223 2918	Rise Lever	21 - 25
B223 2919	Ground Plate - Paper Tray No.2	21 - 14
B223 2920	Front Side Fence	21 - 18
B223 2923	Stopper Lever - Front	21 - 19
B223 2923	Stopper Lever - Front	19 - 19
B223 2930	Rear Side Fence	21 - 26
B223 2934	Plate - Side Fence	21 - 22

Part No.	Description	Page and Index No.
B223 2934	Plate - Side Fence	19 - 22
B223 2935	Plate - Side Fence Right	21 - 21
B223 2935	Plate - Side Fence Right	19 - 21
B223 2936	Gear - 16Z	21 - 23
B223 2936	Gear - 16Z	19 - 23
B223 2940	Tray Bottom Plate	21 - 4
B223 2940	Tray Bottom Plate	19 - 4
B223 2946	Cover - Paper Tray No.2	21 - 7
B223 3202	Pump Unit - Y	33 - 8
B223 3203	Pump Unit - C	33 - 7
B223 3204	Pump Unit - M	33 - 6
B223 3205	Nozzle Ass'y	33 - 10
B223 3206	Tube Clamp	33 - 9
B223 3209	Tube Clip	33 - 11
B223 3211	Pump Unit - BK	33 - 5
B223 3305	Toner Cartridge Unit	81 - 1
B223 3328	Toner Cartridge Guide	81 - 2
B223 3424	Shaft:Drive:Drive Unit:BKY	31 - 5
B223 3426	Shaft:Drive:Drive Unit:CM	31 - 4
B223 3428	Spring:Drive Unit:Toner Bottle	31 - 12
B223 3441	Timing Belt:Toner Bottle	31 - 6
B223 3455	Magnetic Clutch - 0.25n.m BK	31 - 11
B223 3457	Magnetic Clutch - 0.25n.m YCM	31 - 10
B223 3461	Pulley:Toner Bottle:YC	31 - 7
B223 3462	Pulley:Toner Bottle:CM	31 - 8
B223 3463	Gear:Toner Bottle:Drive	31 - 9
B223 3464	Gear:Magnetic Clutch:Y	31 - 13
B223 3470	Rfid Ground Plate	31 - 2
B223 4011	Ih Coilunit:Eu	41 - 21
B223 4072	Screw:Positioning Control	39 - 27
B223 4162	Thermostat:Ass'y	37 - 4
B223 4172	Thermistor:Fusing:Ass'y	37 - 2
B223 4177	Thermistor:Pressure:Ass'y	37 - 3
B223 4181	Bracket:Oil Supply Roller	39 - 20
B223 4221	Fusing Belt:Dia60:Adhesion	39 - 3

Part No.	Description	Page and Index No.
B223 4226	Roller:Belt Tensioner:Dia12	39 - 9
B223 4233	Spacer:Heat Roller	39 - 11
B223 4235	Roller:Ferrite Core:Ass'y	39 - 2
B223 4240	Encoder:Ferrite Core:Change	39 - 25
B223 4301	Frame:Coil:Front	41 - 19
B223 4303	Frame:Coil:Rear	41 - 20
B223 4307	Guide:Ih:Upper	41 - 15
B223 4308	Bracket:Pressure:Coil	41 - 13
B223 4310	Stay:Ih:Holder	41 - 5
B223 4311	Holder:Coil:Front Lower	41 - 3
B223 4312	Holder:Coil:Rear Lower	41 - 4
B223 4314	Stay:Temperature Sensor:Fusing	81 - 14
B223 4315	Bracket:Drive:Gear	75 - 18
B223 4317	Stepper Motor:DC24V 24.3W	75 - 22
B223 4318	Bracket:Stepper Motor	75 - 21
B223 4320	Arm:Rear	53 - 15
B223 4321	Arm:Front	53 - 2
B223 4327	Lever:Lock:Fusing Unit	41 - 17
B223 4328	Bracket:Sensor:Turn	41 - 12
B223 4329	Bracket:Sensor:Machine Or Copier	41 - 10
B223 4331	Cover:Thermopile	81 - 10
B223 4332	Holder:Thermopile	81 - 13
B223 4336	Supporter:Fusing Unit	41 - 18
B223 4337	Bracket:Pin	41 - 11
B223 4341	Guide:Fusing Unit	41 - 23
B223 4342	Sheet:Harness	81 - 5
B223 4343	Ring:Gear:Heat Roller	75 - 15
B223 4349	Ih Coil Unit	41 - 21
B223 4360	Holder:Fusing Unit:Ass'y	41 - 22
B223 4391	Positioning Plate:Fusing Unit	81 - 15
B223 4392	Decal:Set:Fusing Unit	127 - 5
B223 4392	Decal:Set:Fusing Unit	11 - 5
B223 4393	Decal:Warning (high Temperature):Ih	127 - 6
B223 4393	Decal:Warning (high Temperature):IH	41 - 25
B223 4394	Decal:Warning (high Temperature)	127 - 7

Part No.	Description	Page and Index No.
B223 4394	Decal:Warning (high Temperature)	35 - 29
B223 4397	Decal:Warning (high Temperature)	127 - 8
B223 4397	Decal:Warning (high Temperature)	41 - 24
B223 4421	Guide Plate:Upper Left	45 - 7
B223 4426	Bracket:Sensor	43 - 11
B223 4427	Ground Plate:Bracket:Sensor	45 - 5
B223 4428	Roller:Guide:Pfa	45 - 18
B223 4435	Roller:Auxiliary:Driven:Dia16:PFA	45 - 14
B223 4436	Spring Plate - Exit Roller	45 - 23
B223 4437	Inner Cover:Exit:Front	43 - 8
B223 4438	Inner Cover:Exit:Rear	43 - 9
B223 4439	Harness:IOB:Paper Exit Unit:C	43 - 10
B223 4441	Stepper Motor:DC24V 70.2W	43 - 21
B223 4442	Stay:Protect	45 - 26
B223 4444	Bracket:Stepper Motor:Gate	43 - 20
B223 4447	Bracket:Gear:Coupling	43 - 17
B223 4450	Gear:Z14	43 - 23
B223 4451	Gear:Z14/Z40	43 - 18
B223 4452	Tension Spring:1.3n	43 - 16
B223 4453	Exit Roller	45 - 3
B223 4454	Transport Roller:Dia18	43 - 13
B223 4455	Transport Roller:Auxiliary	45 - 9
B223 4456	Spacer:Idler	43 - 5
B223 4457	Gear:Pulley:Z27/T22	45 - 12
B223 4458	Gear:Pulley:Z18/T23	43 - 4
B223 4459	Gear:18Z	43 - 1
B223 4461	Guide Plate:Upper Right	43 - 14
B223 4463	Timing Pulley:22T	45 - 13
B223 4464	Timing Pulley:23T	43 - 6
B223 4467	Gear:Z20/Z32	43 - 19
B223 4468	Stopper	43 - 22
B223 4471	Guide Plate:Open And Close	51 - 14
B223 4472	Gear:21Z	51 - 3
B223 4474	Driven Roller:Dia16	51 - 11
B223 4475	Gate Pawl:Entrance	51 - 2

Part No.	Description	Page and Index No.
B223 4477	Lever:Gate Pawl:Upper	51 - 6
B223 4478	Stopper:Gate Pawl:Upper	51 - 8
B223 4479	Tension Spring:Gate Pawl:1.6n	51 - 9
B223 4481	Bracket:Paper Exit Unit:Rear	51 - 17
B223 4482	Inner Cover:Sensor	47 - 6
B223 4483	Guide Plate:Upper:Gate	49 - 2
B223 4484	Compression Spring:Driven Roller	51 - 13
B223 4485	Tension Spring:10n	51 - 10
B223 4486	Exit Tray	13 - 6
B223 4487	Exit End Fence	13 - 7
B223 4488	Guide Plate:Lower	45 - 19
B223 4491	Discharge Brush:Exit	45 - 6
B223 4492	Decal:Open And Close	51 - 7
B223 4492	Decal:Open And Close	127 - 9
B223 4493	Shaft:Pressure:Auxiliary	45 - 15
B223 4495	Gate Pawl:Upper	51 - 1
B223 4501	Guide Plate:Right	49 - 23
B223 4502	Guide Plate:Left Lower	53 - 13
B223 4503	Guide Plate:Left Upper	51 - 20
B223 4511	Timing Belt:30S2M312	53 - 5
B223 4512	Timing Belt:30S2M182	53 - 3
B223 4513	Transport Roller:No.1	53 - 11
B223 4514	Roller Clutch:T24	53 - 14
B223 4522	Spacer:Wire:Stopper	55 - 9
B223 4523	Link:Stopper	25 - 19
B223 4524	Wire:Stopper:Dia1.5	25 - 22
B223 4525	Tension Spring:Wire:180n	47 - 7
B223 4526	Timing Belt:30S2M268	49 - 15
B223 4527	Pulley:T26/T24	53 - 8
B223 4529	Roller Clutch:T24	53 - 6
B223 4531	Guide Plate:Cover	47 - 12
B223 4532	Tension Spring:Hook:Stopper	47 - 5
B223 4533	Inner Cover:Duplex:Rear	47 - 2
B223 4534	Inner Cover:Duplex	47 - 1
B223 4535	Roller Clutch:T26	53 - 9

Part No.	Description	Page and Index No.
B223 4536	Timing Belt:30S2M234	53 - 4
B223 4537	Reverse Roller:Feed Paper Again	49 - 10
B223 4538	Compression Spring	47 - 10
B223 4539	Sheet:Cover:Duplex	47 - 16
B223 4540	Cover:Duplex	47 - 13
B223 4541	Torsion Spring:Rear	35 - 23
B223 4542	Torsion Spring:Front	35 - 22
B223 4543	Transport Roller:No.2	53 - 12
B223 4544	Pulley:T35/T33	53 - 7
B223 4545	Guide Pin:Holder	35 - 34
B223 4551	Guide Plate:Transfer Unit:Holder	35 - 24
B223 4552	Bushing:Dia4	35 - 17
B223 4552	Bushing:Dia4	49 - 8
B223 4553	Tension Spring:Driven Roller	35 - 16
B223 4554	Bracket:Guide Plate	35 - 2
B223 4555	Sheet:Transport Unit	35 - 1
B223 4556	Compression Spring	35 - 10
B223 4557	Harness:Ground Wire	35 - 3
B223 4558	Sheet:Harness	35 - 30
B223 4559	Driven Roller:Dia16	47 - 8
B223 4559	Driven Roller:Dia16	49 - 6
B223 4559	Driven Roller:Dia16	35 - 8
B223 4560	Tension Spring:Driven Roller	49 - 7
B223 4561	Harness - Second Transfer Unit	35 - 20
B223 4562	Tightener	49 - 12
B223 4564	Spring:Tightener	49 - 14
B223 4566	Bracket:Sensor:Entrance	49 - 4
B223 4571	Gear:Pulley:Z24/T40	49 - 20
B223 4572	Stepper Motor:DC4.29V 1.7W	49 - 17
B223 4573	Timing Belt:30S2M128	49 - 21
B223 4575	Bracket:Stepper Motor	49 - 19
B223 4578	Gate Pawl:Duplex	51 - 18
B223 4579	Grip:Open And Close:Duplex Unit	47 - 3
B223 4581	DC Solenoid:Duplex	51 - 5
B223 4584	Tension Spring:Lever	51 - 4

Part No.	Description	Page and Index No.
B223 4586	Pulley:T30	49 - 16
B223 4587	Harness:Duplex Md	55 - 10
B223 4589	Tension Spring:Gate Pawl:0.5n	51 - 19
B223 4594	Shaft:Pulley:Wire	55 - 11
B223 4595	Pulley:DIA13	55 - 12
B223 4596	Bracket:Shaft:Pulley:Wire	55 - 13
B223 4599	Hook:Stopper:Duplex Unit:Ass'y	47 - 4
B223 5120	PCB:IOB:AP-C1/P1	57 - 3
B223 5120	PCB:IOB:AP-C1/P1	93 - *
B223 5170	Invertor:IH	71 - 5
B223 5172	Invertor:IH:EU	71 - 5
B223 5235	Harness:Ldb:2LD	17 - 16
B223 5239	Harness:Sync Detector	17 - 17
B223 5241	Harness:Polygon Mirror Motor	17 - 2
B223 5243	Harness:Motor:Driver	17 - 3
B223 5244	Harness:IPU:LD-Signal:2LD	59 - 4
B223 5246	Harness:IPU:LD-Data:2LD	59 - 5
B223 5248	Harness:IPU:Sync Detector:Mirror	59 - 6
B223 5301	Harness:IOB:Main:Middle	57 - 4
B223 5302	Harness:IOB:Main:Upper	57 - 1
B223 5304	Harness:IOB:Toner Supply:CL	33 - 2
B223 5305	Harness:IOB:Connecting:IH	71 - 4
B223 5307	Harness:IOB:Motor	73 - 23
B223 5309	Harness:IOB:Connecting:TM/P:Sensor	63 - 10
B223 5310	Harness:P.P:High Voltage Line:T/TS	33 - 3
B223 5311	Harness:IOB:Fan Motor	77 - 7
B223 5312	Harness:IOB:Fusing:Thermopile	81 - 12
B223 5313	Harness:IOB:Ld Unit:Shutter	63 - 17
B223 5330	Harness:AC:Switch	69 - 24
B223 5331	Harness:AC:IH:Power Supply Unit	61 - 8
B223 5332	Harness:PSU:SW:NA	61 - 7
B223 5333	Harness:AC:Inlet	61 - 10
B223 5336	Harness:PSU:JIGU	61 - 5
B223 5338	Harness:AC:IH:Power Supply Unit:EU	61 - 8
B223 5350	Harness:IOB:Connecting:Drum:Sensor	67 - 8

Part No.	Description	Page and Index No.
B223 5812	Hinge:Panel:Control Board	59 - 1
B223 5813	Bracket:Safety Switch	63 - 3
B223 5814	Bracket:Lever:Safety Switch	63 - 4
B223 5816	Plate:Rack:Auxiliary:Right	57 - 5
B223 5823	Grip:Rack:Left Lower	65 - 3
B223 5825	Bracket:Insulator:HDD:Upper	65 - 17
B223 5826	Bracket:Insulator:HDD	65 - 18
B223 5841	Hinge:Application:Rack	71 - 19
B223 5843	Bracket:Rack:Application	71 - 20
B223 5844	Bracket:Fan:Power Source:IH	71 - 18
B223 5848	Bracket:Base:Connector	69 - 21
B223 5849	Cover:Connector:Heater	69 - 1
B223 5857	Bracket:Sw:Dehumidifier:Heater:EXP	61 - 1
B223 5861	Gasket:Etnw100-00505:L90	61 - 3
B223 5861	Gasket:Etnw100-00505:L90	75 - 4
B223 5862	Gasket:Egun1-0105:L240	65 - 5
B223 5863	Gasket:Egun1-0205:L23	59 - 2
B223 5866	Ground Wire:Rack:Right Lower:HF	71 - 21
B223 5876	Density Sensor:Ass'Y	63 - 11
B223 5877	Spring Plate:Screw:HDD	65 - 16
B223 6140	Drawer:Intermediate Transfer:Ass'y	33 - 1
B223 6198	Cleaning Unit Rail	77 - 12
B223 6285	Transfer Roller Terminal	35 - 13
B223 6289	Terminal	35 - 12
B223 6290	Drum Stay - Rear	35 - 25
B223 6306	Release Lever	35 - 6
B223 6308	Transfer Spring	35 - 32
B223 6311	Positioning Guide - Front	25 - 1
B223 6312	Positioning Guide - Rear	25 - 2
B223 6315	Cushion	25 - 3
B223 6317	Ground Wire - Power Pack	35 - 18
B223 6319	Spring Cap	35 - 31
B223 6320	Lever Bracket - Middle	35 - 7
B223 6321	Spring Anchor	35 - 33
B223 6322	Lever Shaft - Front	35 - 4

Part No.	Description	Page and Index No.
B223 6323	Lever Shaft - Rear	35 - 5
B223 6324	Decal:Replacement Indication	127 - 10
B223 6324	Decal:Replacement Indication	35 - 35
B223 6327	Sheet:Case:Lower	35 - 14
B223 6395	Density Sensor	63 - 15
B223 6463	Gear - 20Z	79 - 8
B223 6464	Bushing - 6x10x6	79 - 1
B223 6467	Lever Bracket	79 - 14
B223 6471	Transport Screw Bracket	79 - 2
B223 6472	Gear - 21Z	79 - 4
B223 6473	Transport Screw Shaft	79 - 6
B223 6474	Gear - 29Z	79 - 7
B223 6475	Bushing - 5x 10x2.5	79 - 3
B223 6476	Bushing - Dia5	79 - 5
B223 6481	Rear Pipe Ass'y	69 - 11
B223 6502	Used Toner Sensor Bracket	77 - 1
B223 6503	Used Toner Sensor Feeler	77 - 3
B223 6507	Set Sensor Bracket	69 - 4
B224 1251	Cover:Front:EU	11 - 15
B237 2521	Decal - Paper Set Direction No.1	19 - 6
B237 2521	Decal - Paper Set Direction No.1	127 - 11
B237 5721	Fan Motor - Mm42x10.5 DC5V	65 - 23
B238 1066	Rubber Foot Cover	83 - 3
B238 1088	Cover - Connector	69 - 25
B238 1089	Cover - Positioning Pin	69 - 3
B238 1223	Holder	71 - 15
B238 1225	Shaft	71 - 13
B238 1226	Cam	71 - 14
B238 1362	Decal - Misfeed Removal B1	15 - 13
B238 1362	Decal - Misfeed Removal B1	127 - 12
B238 1368	Decal - Cleaning	15 - 7
B238 1368	Decal - Cleaning	127 - 13
B238 1372	Decal - Main Switch(on-off)	13 - 1
B238 1372	Decal - Main Switch(on-off)	127 - 14
B238 2523	Decal - Paper Set Direction No.2	127 - 15

Part No.	Description	Page and Index No.
B238 2523	Decal - Paper Set Direction No.2	21 - 3
B238 2524	Decal - Paper Size	85 - 4
B238 2526	Decal - Grip	127 - 16
B238 2526	Decal - Grip	19 - 9
B238 2527	Decal - Grip	127 - 17
B238 2527	Decal - Grip	21 - 9
B238 2541	Tray Cover - Right	69 - 6
B238 2543	Cover - Tray Left	69 - 20
B238 2544	Tray Cover - Middle	69 - 7
B238 2569	Transport Roller	23 - 10
B238 2612	Registration Guide Plate - Left	25 - 21
B238 2615	Case - Remove Paper Dust	15 - 24
B238 2621	Stay	25 - 15
B238 2622	Cover - Remove Paper Dust	25 - 14
B238 2652	Registration Roller - Drive	25 - 10
B238 2655	Gear - 16Z	25 - 11
B238 2656	Gear - 30Z	25 - 12
B238 2657	Gear - 18Z	25 - 7
B238 2661	Registration Roller - Driven	25 - 6
B238 2670	Cleaner Bracket	25 - 13
B238 2675	Registration Roller Bushing	25 - 5
B238 2676	Tension Spring	25 - 4
B238 3364	Decal:Colored Display:BK:Inner Cover	15 - 2
B238 3365	Decal:Colored Display:Y:Inner Cover	127 - 18
B238 3365	Decal:Colored Display:Y:Inner Cover	15 - 3
B238 3366	Decal:Colored Display:C:Inner Cover	15 - 4
B238 3366	Decal:Colored Display:C:Inner Cover	127 - 18
B238 3367	Decal:Colored Display:M:Inner Cover	15 - 5
B238 3367	Decal:Colored Display:M:Inner Cover	127 - 18
B238 4436	Spring Plate - Exit Roller Outer	45 - 22
B238 4454	Sensor Bracket	45 - 24
B238 4458	Compression Spring - Driven Roller	45 - 17
B238 4483	Screw	43 - 7
B238 4733	Entrance Sensor Bracket	35 - 28
B238 4739	Cover - Entrance Sensor	35 - 26

Part No.	Description	Page and Index No.
B238 4985	Overflow Feeler Shaft	45 - 2
B238 4987	Overflow Feeler	45 - 1
B238 5051	PCB:RFID:RW	31 - 1
B238 5144	PCB Sync Detector	17 - 15
B238 5313	Harness - Used Toner Sensor	77 - 4
B238 5325	Harness - Paper Volume Sensor	69 - 8
B238 5821	Bracket:Handle:Main Switch:Peen	77 - 9
B238 5824	Cover:Slide Switch	77 - 10
B238 5825	Link:Power Source:Switch	77 - 11
B238 5827	Bracket:Main Switch	69 - 23
B238 5828	Sheet:Main Switch	69 - 22
B238 5867	Hook:Solenoid:Sensor:TM	63 - 13
B238 5875	Dc Solenoid:Shutter:Density Sensor:Ass'Y	63 - 14
B700 2649	Timing Belt:40S2M144	71 - 7
G020 1332	Hinge - Front Cover	11 - 13
G060 2652	Bushing - M4	55 - 3
G060 2932	Pick-up Arm - Manual Feed	29 - 13
G060 4435	Bushing - M4	51 - 12
G065 2767	Lever - Feed	23 - 24
G065 2774	Pressure Lever	23 - 32
G065 2775	Link Lever	23 - 38
G065 2776	Release Lever	23 - 37
G080 2682	Bushing:Feed	29 - 28
G080 2900	Torque Limiter	29 - 40
G104 5141	Knob Screw:M3	65 - 7
G146 5740	Harness:Operation Panel	13 - 5
G146 7491	Sheet:Collar_Chart:JPN:AP-P1B	85 - 6
G332 5730	PCB:SDRAM-DIMM:256Mb:CHN:Ass'y	65 - 13
G874 5801	Harness:HDD	65 - 20
H053 2208	Bushing - M4	43 - 15
H053 2208	Bushing - M4	45 - 8

Part No.	Description	Page and Index No.
AA02 1030	Magnet Catch	13 - 8
AA04 3583	Timing Belt - S2M460	69 - 16
AA04 3585	Timing Belt:40S3M162	73 - 7
AA04 3601	Timing Belt - B40S2M118	73 - 18
AA04 3968	Timing Belt:30S2M160	45 - 11
AA04 3969	Timing Belt:30S2M216	43 - 3
AA06 0151	Tension Spring:Shutter:Sensor:TM	63 - 12
AA06 0691	Tension Spring	23 - 23
AA06 0693	Tension Spring	23 - 31
AA06 0722	Tension Spring	69 - 13
AA06 0872	Spring	29 - 43
AA06 1003	Tension Spring:Side Fence:Rear	19 - 31
AA06 1003	Tension Spring:Side Fence:Rear	21 - 6
AA06 1013	Tension Spring:Arm:Duplex	53 - 1
AA06 1014	Tension Spring:Grip	19 - 11
AA06 1014	Tension Spring:Grip	21 - 11
AA06 2259	Spring - Release	23 - 39
AA06 3438	Compression Spring	41 - 14
AA06 3439	Compression Spring:Lever	41 - 16
AA06 3499	Pressure Spring	29 - 42
AA06 3568	Spring:Pressure:Pickup	63 - 2
AA06 3568	Spring:Pressure:Pickup	29 - 12
AA06 3953	Compression Spring:Oil Supply Roller	39 - 21
AA06 3954	Compression Spring:Belt Tensioner	39 - 17
AA06 6178	Spring	75 - 17
AA07 0080	Slide Rail:Fusing Unit	81 - 6
AA08 0156	Bushing - M4	45 - 16
AA08 0254	Bushing - M4	35 - 9
AA08 0254	Bushing - M4	47 - 9
AA08 2101	Bushing - 6x10x6	53 - 10
AA08 2101	Bushing - 6x10x6	23 - 20
AA08 2101	Bushing - 6x10x6	43 - 2
AA08 2101	Bushing - 6x10x6	45 - 10
AA08 2101	Bushing - 6x10x6	31 - 3
AA08 2101	Bushing - 6x10x6	25 - 8

Part No.	Description	Page and Index No.
AA08 2101	Bushing - 6x10x6	29 - 7
AA08 2102	Bushing - 6x10x6	29 - 23
AA08 2104	Bushing - 8x12x7	49 - 3
AA08 2143	Bushing - 6x10x6	23 - 11
AA08 2145	Bushing - 8x12x7	35 - 21
AA08 3014	One-way Clutch	29 - 30
AA10 0014	Retaining Ring C - Separate	23 - 16
AA10 0014	Retaining Ring C - Separate	29 - 5
AA10 0015	Snap Ring - M6	67 - 10
AA10 1021	Rubber Bushing - 6 45hs	71 - 11
AA10 1021	Rubber Bushing - 6 45hs	49 - 18
AA14 0777	Shaft:Feed	29 - 8
AA14 0778	Shaft:Separator:Drive	29 - 38
AA14 3404	Stepped Screw - M4	25 - 18
AA14 3499	Stepped Screw	65 - 14
AA14 3520	Screw:M3	63 - 1
AA14 3526	Stepped Screw - M3	39 - 15
AA14 3576	Screw:M3	75 - 2
AA14 3577	Screw:Tp:M4	19 - 14
AA14 3807	Screw:A	49 - 1
AA14 3823	Tapping Screw	11 - 14
AA14 3843	Screw:DIA6	19 - 1
AA16 1162	Bushing:HDD	65 - 15
AA16 1163	Cushion	83 - 9
AA16 1164	Cushion:Stepper Motor	73 - 15
AB01 0088	Gear:Sensor:Turn	39 - 1
AB01 0118	Gear:Turn:Sensor	39 - 26
AB01 0138	Gear:Z28	75 - 20
AB01 0156	Gear:Separate:Drive	23 - 33
AB01 0157	Gear:Separate:Driven	23 - 30
AB01 0367	Gear - 23Z	67 - 14
AB01 0368	Gear - 45Z	67 - 19
AB01 0375	Gearz120	75 - 12
AB01 0376	Gear:Z27	75 - 13
AB01 0377	Gear:Z27/Z78	75 - 11

Part No.	Description	Page and Index No.
AB01 1218	Gear - Roller Clutch	23 - 19
AB01 1223	Idler Gear - 25z	29 - 45
AB01 1249	Gear:Turn:Ferrite Core:Z16	39 - 12
AB01 1252	Gear - 20Z	23 - 15
AB01 1258	Gear - 38Z	73 - 6
AB01 1259	Gear - 32Z	73 - 9
AB01 1264	Gear:Z24	75 - 16
AB01 1387	Gear - 23Z	29 - 10
AB01 1416	Gear - 20Z	29 - 36
AB01 2044	Gear:Hot Roller	39 - 10
AB01 2045	Gear:Pressuer Roller	39 - 13
AB01 2051	Gear:Idler:Pressure Roller	39 - 18
AB01 4161	Reverse Roller Gear	49 - 11
AB01 7493	Gear Pulley	71 - 8
AB01 7699	Gear - 33Z/44Z	73 - 5
AB01 7703	Gear:Drive:Fusing	39 - 14
AB01 7706	Gear:Z16/Z40	75 - 19
AB03 0551	Pulley:Idler:FUSING	69 - 14
AB03 0744	Timing Pulley - 27Z/40T	73 - 19
AB03 0781	Timing Pulley - 28Z/30T	73 - 8
AB03 0783	Pulley - 34T	69 - 15
AE01 0059	Hot Roller:Dia35	39 - 6
AE02 0115	Pressure Roller:Dia40	39 - 8
AE03 0069	Ball Bearing:Dia12xdia21x7	39 - 5
AE03 0071	Ball Bearing:Dia17xdia26x5	39 - 7
AE03 1046	Bushing:Heat Roller	39 - 4
AE03 1061	Front Bushing - Oil Supply Roller	39 - 24
AE03 1062	Rear Bushing - Oil Supply Roller	39 - 19
AE03 1065	Bushing:Fusing Sub-unit	39 - 16
AE04 0066	Cleaning Roller - Oil Supply Roller	39 - 22
AE04 0069	Oil Supply Roller	39 - 23
AF01 3006	Bottom Plate Pad	21 - 5
AF01 3006	Bottom Plate Pad	19 - 5
AF01 3016	Bottom Plate Pad	29 - 27
AF02 0646	Vertical Transport Roller	55 - 5

Part No.	Description	Page and Index No.
AF03 0049	Pick-up Roller	29 - 11
AF03 0090	Paper Feed Roller:Pickup	23 - 14
AF03 1046	Feed Roller - Manual Feed	29 - 6
AF03 1090	Paper Feed Roller:Feed	23 - 18
AF03 2046	Separation Roller - Manual Feed	29 - 39
AF03 2090	Paper Feed Roller:Separate	23 - 27
AF04 0566	Tension Roller	45 - 21
AF04 0567	Tension Roller	45 - 20
AG07 0514	Magnet Catch	47 - 11
AG07 1012	Magnet Catch:Ass'y	15 - 25
AW01 0107	Paper Feed Sensor	25 - 16
AW01 0107	Paper Feed Sensor	49 - 5
AW01 0107	Paper Feed Sensor	29 - 2
AW01 0107	Paper Feed Sensor	43 - 12
AW01 0118	Paper Feed Sensor	35 - 27
AW01 0122	Paper Feed Sensor	23 - 7
AW01 0127	Paper Feed Sensor	45 - 25
AW01 0128	Paper Feed Sensor	23 - 5
AW02 0145	Photointerruptor:Flat	51 - 15
AW02 0145	Photointerruptor:Flat	45 - 4
AW02 0145	Photointerruptor:Flat	67 - 7
AW02 0145	Photointerruptor:Flat	49 - 9
AW02 0145	Photointerruptor:Flat	23 - 2
AW02 0160	Paper Feed Sensor	77 - 2
AW02 0185	Toner End Sensor	33 - 4
AW10 0106	Thermopile	81 - 11
AW14 0012	Temperature & Humidity Sensor	73 - 17
AW50 0023	Push Switch	69 - 5
AW50 0023	Push Switch	51 - 16
AW50 0031	Paper Size Sensor	27 - 10
AW50 0035	Paper End Sensor	29 - 21
AW50 0038	Push Switch:Paper Size Sensor	69 - 19
AX04 0154	DC Motor 24V	69 - 9
AX05 0249	Brushless Motor DC24V8W	67 - 5
AX06 0286	Polygon Mirror Motor	17 - 4

Part No.	Description	Page and Index No.
AX06 0308	Brushless Motor:DC24V 25W	67 - 9
AX20 0289	Magnetic Clutch - 32z	73 - 11
AX20 0299	Magnetic Clutch:0.5n.m	67 - 15
AX20 0300	Magnetic Clutch:0.5n.m	67 - 12
AX20 2007	Magnetic Clutch	29 - 31
AX43 0156	Heater:120V:500W	37 - 1
AX43 0157	Heater:230V:500W	37 - 1
AX64 0179	Fan Motor:DC24V 2.4W	67 - 2
AX64 0179	Fan Motor:DC24V 2.4W	41 - 1
AX65 0045	Sirocco Fan:DC24V 2.6W	41 - 8
AZ24 0109	Power Supply Unit:494W:DOM/NA	61 - 4
AZ24 0110	Power Supply Unit:494W:EU/AA:APO-C1	61 - 4
AZ30 0059	Power Pack:D	35 - 19
AZ32 0154	Power Pack:TTS:APO-C/P	75 - 23
AZ32 0165	Power Pack:CB:APO-C/P:-80mic	61 - 9
GA00 3030	Decal - Shielding Plate Y	15 - 8
GA00 3030	Decal - Shielding Plate Y	127 - 21
GA00 3031	Decal - Shielding Plate M	15 - 10
GA00 3031	Decal - Shielding Plate M	127 - 21
GA00 3032	Decal - Shielding Plate C	127 - 21
GA00 3032	Decal - Shielding Plate C	15 - 9
GA00 3033	Decal - Shielding Plate K	15 - 11
GA00 3033	Decal - Shielding Plate K	127 - 21
GA00 3144	Decal:PDF Direct	11 - 7
GA00 3167	Decal:Caution:Inkjet:NA	13 - 2
GA00 3175	Decal:PS3:Clear	11 - 8
GA00 3189	Decal:Positioning Display	127 - 22
GA08 0002	Bushing - 6mm	73 - 13
GW02 0020	Photointerruptor:Lg248n1	63 - 16
GW02 0020	Photointerruptor:Lg248n1	41 - 9
GX06 0015	Brushless Motor:Drive:Paper Feed	75 - 9
GX06 0015	Brushless Motor:Drive:Paper Feed	67 - 17
GX64 0020	Fan Motor - DC24V	71 - 1

Part No.	Description	Page and Index No.
0312 5040N	Pan Head Screw!M2.5X4	63 - 105
0353 0030N	Screw:M3X3	65 - 103
0353 0030N	Screw:M3X3	23 - 107
0353 0040N	Screw - M3X4	81 - 104
0353 0040N	Screw - M3X4	29 - 104
0353 0040N	Screw - M3X4	41 - 107
0353 0060N	Bind Screw - M3x6	39 - 100
0353 0060N	Bind Screw - M3x6	65 - 102
0353 0060N	Bind Screw - M3x6	41 - 104
0353 0060N	Bind Screw - M3x6	37 - 102
0353 0080N	Screw:M3X8	71 - 103
0353 0100N	Screw-m3x10	45 - 102
0353 0100N	Screw-m3x10	49 - 103
0353 0120N	Screw M3x12	81 - 105
0353 0250N	Screw:M3X25	63 - 107
0360 3006N	Screw:M3X6	29 - 107
0360 3006N	Screw:M3X6	67 - 102
0360 3016N	Screw - M3X16	67 - 103
0434 0100N	Tapping Screw - 4x10	73 - 106
0450 3008N	Tapping Screw - M3x8	35 - 102
0450 3008N	Tapping Screw - M3x8	81 - 103
0450 3008N	Tapping Screw - M3x8	53 - 104
0450 3008N	Tapping Screw - M3x8	51 - 102
0450 3008N	Tapping Screw - M3x8	27 - 101
0450 3008N	Tapping Screw - M3x8	29 - 102
0450 3008N	Tapping Screw - M3x8	69 - 102
0450 3008N	Tapping Screw - M3x8	23 - 102
0450 3008N	Tapping Screw - M3x8	55 - 102
0450 3010N	Tapping Screw - M3x10	51 - 107
0450 3010N	Tapping Screw - M3x10	43 - 108
0450 3010N	Tapping Screw - M3x10	45 - 101
0450 3010N	Tapping Screw - M3x10	11 - 102
0450 3010N	Tapping Screw - M3x10	15 - 102
0450 3012N	Tapping Screw:3x12	33 - 102
0450 3012N	Tapping Screw:3x12	31 - 102

Part No.	Description	Page and Index No.
0450 3012N	Tapping Screw:3x12	19 - 103
0450 3012N	Tapping Screw:3x12	21 - 103
0450 4008N	Tapping Screw - M4x8	19 - 101
0450 4008N	Tapping Screw - M4x8	21 - 101
0451 3006N	Tapping Screw:3X6	77 - 101
0451 3006N	Tapping Screw:3X6	51 - 101
0451 3006N	Tapping Screw:3X6	35 - 101
0451 3006N	Tapping Screw:3X6	81 - 102
0451 3006N	Tapping Screw:3X6	57 - 101
0451 3006N	Tapping Screw:3X6	69 - 101
0451 3006N	Tapping Screw:3X6	83 - 103
0451 3006N	Tapping Screw:3X6	67 - 101
0451 3006N	Tapping Screw:3X6	53 - 101
0451 3006N	Tapping Screw:3X6	23 - 101
0451 3006N	Tapping Screw:3X6	61 - 101
0451 3006N	Tapping Screw:3X6	59 - 101
0451 3006N	Tapping Screw:3X6	41 - 101
0451 3006N	Tapping Screw:3X6	73 - 101
0451 3006N	Tapping Screw:3X6	65 - 101
0451 3006N	Tapping Screw:3X6	43 - 101
0451 3006N	Tapping Screw:3X6	79 - 101
0451 3006N	Tapping Screw:3X6	47 - 101
0451 3006N	Tapping Screw:3X6	49 - 101
0451 3006N	Tapping Screw:3X6	75 - 101
0451 3006N	Tapping Screw:3X6	29 - 101
0451 3006N	Tapping Screw:3X6	63 - 101
0451 3006N	Tapping Screw:3X6	55 - 101
0451 3006N	Tapping Screw:3X6	25 - 101
0451 3006N	Tapping Screw:3X6	31 - 101
0451 3006N	Tapping Screw:3X6	71 - 101
0451 3006N	Tapping Screw:3X6	13 - 102
0451 3008N	Tapping Screw:3X8	41 - 102
0451 3008N	Tapping Screw:3X8	47 - 103
0451 3008N	Tapping Screw:3X8	11 - 101
0451 3008N	Tapping Screw:3X8	29 - 106

Part No.	Description	Page and Index No.
0451 3008N	Tapping Screw:3X8	15 - 101
0451 3008N	Tapping Screw:3X8	17 - 101
0451 3008N	Tapping Screw:3X8	63 - 102
0451 3008N	Tapping Screw:3X8	13 - 101
0451 3008N	Tapping Screw:3x8	33 - 101
0451 3008N	Tapping Screw:3X8	61 - 102
0451 3008N	Tapping Screw:3X8	75 - 104
0451 3010N	Tapping Screw:3x10	41 - 103
0451 3016N	Tapping Screw - 3x16	79 - 102
0451 3016N	Tapping Screw - 3x16	65 - 104
0451 3025N	Tapping Screw:M3x25	63 - 103
0451 3030N	Tapping Screw:3x30	71 - 104
0451 4008N	Tapping Screw:4x8	73 - 103
0452 3008N	Tapping Screw - M3x8	41 - 105
0452 3008N	Tapping Screw - M3x8	35 - 103
0452 3008N	Tapping Screw - M3x8	17 - 102
0452 3008N	Tapping Screw - M3x8	29 - 103
0452 3008N	Tapping Screw - M3x8	13 - 103
0452 3010N	Binding Self-tapping Screw:3x10	17 - 103
0452 3010N	Binding Self-tapping Screw:3x10	45 - 103
0452 3010N	Binding Self-tapping Screw:3x10	43 - 103
0453 3006N	Tapping Screw - M3x6	43 - 102
0453 3008N	Binding Self Tapping Screw:3x8	21 - 102
0453 3008N	Binding Self Tapping Screw:3x8	19 - 102
0454 3006Q	Tapping Screw::3X6	79 - 103
0454 3006Q	Tapping Screw::3X6	61 - 104
0454 3006Q	Tapping Screw::3X6	67 - 104
0454 3006Q	Tapping Screw::3X6	75 - 102
0454 3006Q	Tapping Screw::3X6	55 - 104
0454 3006Q	Tapping Screw::3X6	81 - 101
0454 3006Q	Tapping Screw::3X6	69 - 105
0454 3006Q	Tapping Screw::3X6	25 - 102
0454 3006Q	Tapping Screw::3X6	63 - 104
0454 3006Q	Tapping Screw:3X6	71 - 102
0454 3006Q	Tapping Screw::3X6	49 - 102

Part No.	Description	Page and Index No.
0454 3006Q	Tapping Screw::3x6	33 - 105
0454 3006Q	Tapping Screw::3X6	15 - 104
0454 3006Q	Tapping Screw::3X6	83 - 101
0454 3006Q	Tapping Screw::3X6	77 - 103
0454 3006Q	Tapping Screw::3X6	41 - 106
0454 3006Q	Tapping Screw::3X6	73 - 102
0454 3008Q	Tapping Screw:3x8	29 - 105
0454 3008Q	Tapping Screw:3x8	69 - 104
0454 3008Q	Tapping Screw:3x8	23 - 106
0454 3008Q	Tapping Screw:3x8	15 - 103
0623 0080E	Spring Pin:3X8	23 - 108
0720 0030E	Retaining Rings-E:3	47 - 102
0720 0030E	Retaining Rings-E:3	35 - 104
0720 0030E	Retaining Rings-E:3	77 - 104
0720 0030E	Retaining Rings-E:3	51 - 105
0720 0030E	Retaining Rings-E:3	49 - 106
0720 0040E	Retaining Ring - M4	39 - 101
0720 0040E	Retaining Ring - M4	49 - 104
0720 0040E	Retaining Ring - M4	43 - 104
0720 0040E	Retaining Ring - M4	73 - 107
0720 0040E	Retaining Ring - M4	55 - 109
0720 0040E	Retaining Ring - M4	75 - 107
0720 0040E	Retaining Ring - M4	67 - 107
0720 0040E	Retaining Ring - M4	31 - 103
0720 0040E	Retaining Ring - M4	23 - 104
0720 0060E	Retaining Ring - M6	67 - 105
0720 0060E	Retaining Ring - M6	75 - 106
0720 0060E	Retaining Ring - M6	35 - 105
0720 0080E	Retaining Ring - M8	19 - 104
0720 0080E	Retaining Ring - M8	21 - 104
0725 0100E	Retaining Ring C - M10	39 - 102
0725 0120E	Retaining Ring C - M12	39 - 104
0725 0170E	Retaining Ring C - M17	39 - 103
0801 0149	Philips Pan Head Screw - M4x6	55 - 103
0801 0231	Hexagonal Head Bolt W/washer:M3x6	69 - 103

Part No.	Description	Page and Index No.
0802 5299	Tapping Screw - M3x8	83 - 102
0802 5299	Tapping Screw - M3x8	69 - 106
0802 5304	Tapping Screw - M3x30	71 - 105
0802 5305	Tapping Screw - M3x6	79 - 104
0802 5308	Tapping Screr:Fan	77 - 102
0805 0088	Retaining Ring - M6	29 - 109
0805 0088	Retaining Ring - M6	25 - 104
0805 0088	Retaining Ring - M6	41 - 109
0805 0088	Retaining Ring - M6	63 - 109
0805 0088	Retaining Ring - M6	49 - 108
0805 0089	Retaining Ring - M4	73 - 104
0805 0089	Retaining Ring - M4	23 - 103
0805 0089	Retaining Ring - M4	53 - 102
0805 0089	Retaining Ring - M4	79 - 105
0805 0089	Retaining Ring - M4	51 - 104
0805 0089	Retaining Ring - M4	27 - 102
0805 0089	Retaining Ring - M4	25 - 103
0805 0089	Retaining Ring - M4	71 - 107
0805 0089	Retaining Ring - M4	69 - 109
0805 0089	Retaining Ring - M4	29 - 108
0805 0092	Retaining Ring - 3m	45 - 104
0805 0092	Retaining Ring - 3m	43 - 105
0805 0097	Ring Separator	51 - 103
0951 3006N	Screw - M3X6	71 - 108
0954 3010N	Screw:Polished Round/Spring:M3x10	37 - 101
0954 4008N	Screw - M4X8	75 - 103
0954 4008N	Screw - M4X8	61 - 103
1102 4203	Connector:292132-4	101 -101
1102 4211	Connector:1-292132-2	101 -102
1102 5303	3.5:Connector:ST:4P	121 -101
1102 6245	Relay Connector - 2P	33 - 104
1102 6248	Connector - 5P	29 - 111
1102 6259	Connector - 2P	33 - 103
1102 6295	Connector:53324-0260	121 -102
1102 6298	Connector:53324-0560	101 -103

Part No.	Description	Page and Index No.
1102 6299	Connector:53324-0660	101 -104
1102 6300	Connector:53324-0760	93 - 101
1102 6397	Connector:53313-1865	93 - 102
1102 6594	Connector	93 - 103
1102 6597	Connector	101 -105
1102 7615	Connector:B8B-XH-A(LF)(SN)	121 -103
1102 8329	Connector:UBB-4R-D14C(LF)(SN)	121 -104
1102 8470	Connector:55447-0680	93 - 104
1102 8471	Connector:55447-0780	93 - 105
1102 8472	Connector:55447-0880	93 - 106
1102 8477	Connector:55447-1380	93 - 107
1102 8479	Connector:55447-1580	93 - 108
1102 8480	Connector:55447-1680	93 - 109
1102 8481	Connector:55447-1780	93 - 110
1102 8484	Connector:55447-2080	93 - 111
1102 8488	Connector:55451-2870	93 - 112
1102 8490	Connector:55451-3270	93 - 113
1102 8491	Connector:55451-3470	93 - 114
1102 8494	Connector:55451-4070	93 - 115
1102 8502	Connector - 54679-1615	61 - 109
1102 8534	Connector - QR/P17-14S-B	69 - 108
1102 8544	Connector:1-292207-3	101 -106
1102 8623	Connector:292207-2	93 - 116
1102 8781	Connector:1-292207-2	101 -107
1102 8781	Connector:1-292207-2	93 - 117
1102 8832	Connector:DM-3D4-B3200	121 -105
1102 8933	Connector:292207-5	93 - 118
1102 9108	Connector:292207-3	93 - 119
1102 9109	Connector:292207-4	93 - 120
1102 9110	Connector:292207-6	93 - 121
1102 9111	Connector:292207-7	93 - 122
1102 9112	Connector:292207-8	101 -108
1102 9112	Connector:292207-8	93 - 123
1102 9113	Connector:1-292207-0	93 - 124
1102 9114	Connector:1-292207-1	93 - 125

Part No.	Description	Page and Index No.
1102 9117	Connector:1-292207-8	93 - 126
1102 9119	Connector:2-292207-0	93 - 127
1102 9120	Connector:2-292208-2	93 - 128
1102 9121	Connector:2-292208-4	101 -109
1102 9121	Connector:2-292208-4	93 - 129
1102 9122	Connector:2-292208-6	93 - 130
1102 9122	Connector:2-292208-6	101 -110
1102 9535	Connector:200PS-JUK-G-B	121 -106
1102 9601	Connector:5-292207-3	93 - 131
1102 9605	Connector:FPS009-2602-0	121 -107
1102 9606	Connector:200RS-JUK-GB	101 -111
1102 9686	Connector:RHM-176P-SDK11-U1L1C	121 -108
1102 9689	Connector:2-1734161-4	121 -109
1102 9782	Connector:51405-1819	75 - 108
1102 9887	Connector:52588-3075	121 -110
1102 9890	Connector:5-1605862-2	121 -111
1103 3176	Connector:FH12-45S-0.5SH(89)	101 -112
1103 3179	Connector:FH12-50S-0.5SV(89)	101 -113
1103 3179	Connector:Fh12-50S-0.5Sv(89)	93 - 132
1104 0511	IC Socket:8P:DICF-8CS-E	101 -114
1104 0764	Ic Socket:1-390261-2	121 -112
1105 0487	Clamp:Lws-0511Z	75 - 105
1105 0487	Clamp:Lws-0511Z	61 - 106
1105 0487	Clamp:Lws-0511Z	81 - 106
1105 0487	Clamp:Lws-0511Z	57 - 104
1105 0488	Harness Clamp	73 - 105
1105 0488	Harness Clamp	59 - 103
1105 0488	Harness Clamp	61 - 105
1105 0489	Clamp:Lws-1316Z	57 - 103
1105 0490	Clamp:Lws-2218Z	57 - 102
1105 0490	Clamp:Lws-2218Z	59 - 105
1105 0508	Harness Clamp - LWS-0711	55 - 108
1105 0511	Clamp:Lwsm-0306	25 - 105
1105 0511	Clamp:Lwsm-0306	23 - 105
1105 0511	Clamp:Lwsm-0306	29 - 113

Part No.	Description	Page and Index No.
1105 0511	Clamp:Lwsm-0306	35 - 106
1105 0511	Clamp:Lwsm-0306	49 - 105
1105 0511	Clamp:Lwsm-0306	51 - 108
1105 0511	Clamp:Lwsm-0306	53 - 103
1105 0511	Clamp:Lwsm-0306	55 - 106
1105 0511	Clamp:Lwsm-0306	43 - 107
1105 0516	Clamp:Lwsm-0511	59 - 104
1105 0516	Clamp:Lwsm-0511	55 - 107
1105 0516	Clamp:Lwsm-0511	41 - 108
1105 0516	Clamp:Lwsm-0511	67 - 106
1105 0516	Clamp:Lwsm-0511	43 - 106
1105 0522	Edge Saddle - Les0510	29 - 110
1105 0551	Clamp:LES-0505	51 - 106
1105 0551	Clamp:LES-0505	49 - 107
1105 0551	Clamp:LES-0505	29 - 112
1105 0568	Clamp:LWSS-0504	55 - 105
1105 0612	Clamp:EDS-0704L-V0	61 - 110
1105 0612	Clamp:Eds-0704L-V0	63 - 106
1105 0613	Clamp:EDS-1010L-V0	61 - 108
1105 0614	Clamp - EDS-1710L-V0	61 - 107
1105 0641	PCB-6S-V0	71 - 106
1105 0643	Clamp - RFC-14V0	25 - 106
1107 1083	Fuse:Sst 4	101 -115
1107 1095	Fuse:Sst 2	121 -113
1109 0044	Fuse:Minismdc200F	121 -114
1150 0373	Power Supply Code:125V 15A NA	85 - 101
1150 0377	Power Supply Code:250V:10A:EU	85 - 101
1204 1385	B3F-1050	121 -115
1204 1543	Dip Switch:72D-08E	121 -116
1204 2704	Switch:Rs1A-Ab11	69 - 107
1204 2709	Switch:V-5F930Dn	63 - 108
1206 0072	Lithium Cell:CR2354-1VC	121 -117
1400 0688	Transistor DTC143ZUA	101 -116
1400 0714	Transistor:2SD1781KR	121 -118
1400 0715	Transistor:2SD1197KR	121 -119

Part No.	Description	Page and Index No.
1400 0730	Transistor:2SD1782K	121 -120
1400 0769	Transistor:2SA1576A	121 -121
1400 0769	Transistor:2SA1576A	93 - 133
1400 0775	Transistor:2SC4081	121 -122
1400 0775	Transistor:2SC4081	101 -117
1400 0775	Transistor:2SC4081	93 - 134
1400 0788	Transistor:DTB113ZK	93 - 135
1400 0810	Transistor:DTC114EUA	101 -118
1400 0810	Transistor:DTC114EUA	93 - 136
1400 0810	Transistor:DTC114EUA	121 -123
1400 0920	Transistor:DTC143EUA	93 - 137
1400 0968	Transistor:DTA123JUA	93 - 138
1400 0981	Transistor:2SC3052-T112	121 -124
1400 0992	Transistor:DTC124XUA	101 -119
1400 1012	Transistor:2SD2656	93 - 139
1400 1140	Transistor:2SA1577R	93 - 140
1400 1141	Transistor:2SD1949	93 - 141
1401 0902	Fet:2SK1590-A	121 -125
1401 0972	Transistor-2SB1260	93 - 142
1401 1181	Fet:2SK2157-AZ	121 -126
1401 1209	Fet Array:HAT2093R-E	121 -127
1401 1222	Fet:HAT2068R-E	121 -128
1401 1228	Fet:SI3433DV-E3/SI3433BDV-E3	121 -129
1401 1234	Fet:SSM3J02T	121 -130
1401 1296	Fet:TPC8115	121 -131
1401 1317	Fet:HAT2197R-E	121 -132
1401 1318	Fet:HAT2198R-E	121 -133
1401 1320	Fet:TPC8107	121 -134
1401 1411	Fet:HAT2195R-E	121 -135
1402 1289	Diode-Array	93 - 143
1402 1336	Diode:1SS355	121 -136
1402 1336	Diode:1SS355	101 -120
1402 1343	Diode:RB160L-40	101 -121
1402 1385	Diode DAP222	93 - 144
1402 1398	Diode:RB050L-40	121 -137

Part No.	Description	Page and Index No.
1402 1503	Diode:1SS400	93 - 145
1402 1530	Diode:RB520S-30	121 -138
1402 1584	Diode:Dan217U	93 - 146
1402 1587	Diode - Rb060	121 -139
1402 1663	Diode:PTZ12B	93 - 147
1402 1698	Diode - Rb	121 -140
1402 1952	Diode:TDZ12	93 - 148
1403 0953	Led:SML-310MT	121 -141
1403 0953	LED:SML-310MT	101 -122
1403 0978	LED:SML-310DT	101 -123
1403 0978	LED:SML-310DT	93 - 149
1403 0996	Led:SML-310VT	121 -142
1403 0996	LED:SML-310VT	101 -124
1403 0996	LED - Sml-310vt	93 - 150
1407 1535	Driver:TD62308APG(5)	93 - 151
1407 2187	TTLIC:SN74LS07NS	93 - 152
1407 2219	Driver:TD62003APG(5)	93 - 153
1407 4919	IC:74VHCT244:TSSOP	121 -143
1407 5300	Cmos Logic:74LVC16244A:TSSOP	121 -144
1407 5347	IC:SN74LV08APW	101 -125
1407 5351	IC:SN74LV14APW	93 - 154
1407 5369	IC:SH74AHCT32Pw	121 -145
1407 5373	IC:SN74LV21APW	101 -126
1407 5377	Cmos Logic:SN74AHCT1G08DCK	121 -146
1407 5392	IC:SN74LV541APW	93 - 155
1407 5392	IC:SN74LV541APW	101 -127
1407 5428	Cmos Logic:SN74AHC1G08DCK	121 -147
1407 5439	Cmos Logic:SN74AHC2G66HDCT	121 -148
1407 5463	IC:SN74LV245APW	101 -128
1407 5469	IC:SN74LV07APW	93 - 156
1407 5469	IC:SN74LV07APW	121 -149
1407 5482	IC:SN74LVC07APW	121 -150
1407 5483	Cmos Logic:SN74AHC1G125DCK	121 -151
1407 5508	IC:SN74LV125APW	121 -152
1407 5523	EEPROM:M24C01-WMN6P(REV.S/W/G)	121 -153

Part No.	Description	Page and Index No.
1407 5528	IC:SN74LVC126APW	121 -154
1407 5604	Cmos Logic:SN74LVC16245ADGG	121 -155
1407 5790	Cmos Logic:SN74AHC2G08HDCU	93 - 157
1407 5790	Cmos Logic:SN74AHC2G08HDCU	121 -156
1407 5868	Lan Controller Lsi:DP83847ALQA56A(A8)	121 -157
1407 5927	Cmos Logic:SN74LVC1G14DCK	121 -158
1407 6077	IC:STA7101M	93 - 158
1407 6101	Cmos Logic:SN74LVC2G17DCK	101 -129
1407 6101	Cmos Logic:SN74LVC2G17DCK	121 -159
1407 6101	Cmos Logic:SN74LVC2G17DCK	93 - 159
1407 6123	Cmos Logic:SN74LVC2G125DCU	121 -160
1407 6126	Clock Generator:ICS950812CG	121 -161
1407 6127	Clock Generator:ICS960008AFLF	121 -162
1407 6161	Clock Generator:ICS960009CFLF	121 -163
1407 6166	Custom IC:ESOC	101 -130
1407 6167	Custom Ic:EIO	93 - 160
1407 6181	Motor Control Ic:STK672-600	93 - 161
1407 6187	Cmos Logic:SN74LVC1G07DCK	121 -164
1407 6196	Motor Control Ic:STK672-610	93 - 162
1407 6197	Driver:M54563P	93 - 163
1407 6203	Cmos Logic:SN74LVC3G07DCT	121 -165
1407 6205	Cmos Logic:SN74LVC1G06DCK	121 -166
1407 6278	ICH3:NH82801CAM(SI7A7)	121 -167
1407 6279	GMCH:NH82830MP(SI7A6)	121 -168
1407 6314	Motor Control Ic:TB6561NG	93 - 164
1407 6318	Cmos Logic:SN74AHC1G00DCK	93 - 165
1407 6335	Cmos Logic:SN74LVC1G17DCK	121 -169
1407 6362	EEPROM:Br24164-W	59 - 102
1407 6395	Cmos Logic:SN74AHC2G00HDCU	93 - 166
1407 6447	Custom IC:Gavd Type-W	101 -131
1407 6451	Cmos Logic:SN74LVC1G32DCK	121 -170
1407 6455	Cmos Logic:SN74AHC1G14DCK	121 -171
1407 6465	Ram:Fm251256-pg(rev.ag)	65 - 12
1407 6521	Cmos Logic:TC74VHCT14AFT(K)	121 -172
1407 6526	Cpu:NK80530MZ866256(SI7XH)	121 -173

Part No.	Description	Page and Index No.
1408 1204	Motor Control Ic:TA8083PG(5 RICO)	93 - 167
1408 1535	Driver:M54585P	93 - 168
1408 1550	Operational Amplifier:LM2902PW	101 -132
1408 1550	Operational Amplifier:LM2902PW	93 - 169
1408 1640	Series Regulator:PQ070XH02ZPH	121 -174
1408 1653	Operational Amplifier:LMV324IPW	101 -133
1408 1669	Series Regulator:R1170H331B-FB	101 -134
1408 1778	IC:R3112Q101A-FA	121 -175
1408 1779	IC:R3112Q281A-FA	93 - 170
1408 1779	IC:R3112Q281A-FA	121 -176
1408 1815	IC:R3112Q151A-FA	121 -177
1408 1822	IC:R3112Q201A-FA	121 -178
1408 1825	IC:R3112Q121A-FA	121 -179
1408 1826	IC:R3112Q421A-FA	121 -180
1408 1826	IC:R3112Q421A-FA	101 -135
1408 1850	Series Regulator:R1170H181B-FB	101 -136
1408 1907	IC:R3112Q451A-FA	101 -137
1408 1962	IC:PQ1CZ41H2ZPH	101 -138
1408 2015	Series Regulator:PQ018EZ02ZPH	121 -181
1408 2016	Series Regulator:R1114Q181B-FA	101 -139
1408 2024	IC:R3112Q261A-FA	101 -140
1408 2029	Comparator:LM2901PW	93 - 171
1408 2057	IC:LTC3714EG#TRPBF	121 -182
1408 2122	Series Regulator:R1130H331A-FB	93 - 172
1408 2236	Series Regulator:BH18FB1WG	101 -141
1408 2463	DDR Terminator:TPS51116PWPG4	121 -183
1408 2473	IC:LTC3728LEUH-1#PBF	121 -184
1503 0773	Crystal Oscillator:MC-306:32.768KHZ:7PF	121 -185
1503 0842	Crystal Oscillator 14.31818MHZ	121 -186
1503 1004	Crystal Oscillator:19.6608MHZ	93 - 173
1503 1007	Crystal Oscillator:25MHZ	121 -187
1503 1013	Crystal Oscillator:24.3MHZ	101 -142
1503 1181	Crystal Oscillator:30MHZ	121 -188
1503 1215	Crystal Oscillator:17.5MHZ	101 -143
1503 1239	Crystal Oscillator:25Mhz	121 -189

Part No.	Description	Page and Index No.
1601 7752	Resistor:10K Ω : \pm 5%:4	101 -144
1601 7791	Resistor Array	101 -145
1601 7796	Resistor	101 -146
1601 7867	Resistor:33 Ω : \pm 5%:1/16W:4Number	101 -147
1601 7871	Resistor:68 Ω : \pm 5%:1/16W:4Number	101 -148
1601 7887	Resistor Array:10K Ω : \pm 5%:1/16W:4Number	93 - 174
1601 7896	Resistor Array:56 Ω : \pm 5%:1/16W:4Number	93 - 175
1601 7896	Resistor Array:56 Ω : \pm 5%:1/16W:4Number	121 -190
1601 7898	Resistor Array:33 Ω : \pm 5%:1/16W:4Number	121 -191
1601 7898	Resistor Array:33 Ω : \pm 5%:1/16W:4Number	93 - 176
1601 7900	Resistor Array:0 Ω :1005	93 - 177
1601 7909	Resistor Array:10 Ω : \pm 5%:1/16W:4Number	121 -192
1601 7913	Resistor Array:22 Ω : \pm 5%:1/16W:4Number	121 -193
1601 7914	Resistor Array:47 Ω : \pm 5%:1/16W:4Number	121 -194
1601 7943	Resistor Array:68 Ω : \pm 5%:1/16W:4Number	93 - 178
1601 7959	Resistor Array:1K Ω : \pm 5%:1/16W:4Number	93 - 179
1601 7981	Resistor Array:100K Ω : \pm 5%:1/16W:4Number	93 - 180
1601 7981	Resistor Array:100K Ω : \pm 5%:1/16W:4Number	121 -195
1601 7984	Resistor Array:22K Ω : \pm 5%:1/16W:4P	93 - 181
1604 2237	Capacitor:100 μ F: \pm 20%:35V	93 - 182
1604 4477	Capacitor:10 μ F: \pm 20%:35V	93 - 183
1604 4666	Capacitor:47 μ F: \pm 20%:35V	93 - 184
1604 4728	Capacitor:100 μ F: \pm 20%:16V	121 -196
1604 4825	Capacitor:220 μ F: \pm 20%:35V	93 - 185
1604 4894	Capacitor:100 μ F: \pm 20%:16V	101 -149
1604 5002	Capacitor:220 μ F: \pm 20%:6.3V	101 -150
1604 5046	Capacitor:150 μ F: \pm 20%:10V	101 -151
1604 5273	Capacitor:100 μ F: \pm 20%:35V	121 -197
1604 5357	Capacitor:560 μ F: \pm 20%:4V	121 -198
1604 5452	Capacitor:47 μ F: \pm 20%:10V	93 - 186
1604 5453	Capacitor:100 μ F: \pm 20%:10V	93 - 187
1604 5618	Capacitor:150 μ F: \pm 20%:10V	101 -152
1605 1124	Capacitor:4.7 μ F:+80-20%:10V	121 -199
1605 1137	Capacitor:470PF: \pm 10%:50V	101 -153
1605 1137	Capacitor:470PF: \pm 10%:50V	93 - 188

Part No.	Description	Page and Index No.
1605 1148	Capacitor:0.1μF:+80-20%:50V	121 -200
1605 1148	Capacitor:0.1μF:+80-20%:50V	101 -154
1605 1148	Capacitor:0.1μF:+80-20%:50V	93 - 189
1605 1176	Capacitor:0.47μF:+80-20%:16V	121 -201
1605 1186	Capacitor:220PF:±10%:50V	101 -155
1605 1190	Capacitor:0.022μF:±10%:50V	101 -156
1605 1194	Capacitor:3PF:±0.25PF:50V	121 -202
1605 1195	Capacitor:4PF:±0.25PF:50V	121 -203
1605 1196	Capacitor:5PF:±0.25PF:50V	121 -204
1605 1197	Capacitor:6PF:±0.5PF:50V	121 -205
1605 1200	Capacitor:10PF:±0.5PF:50V	121 -206
1605 1201	Capacitor:12PF:±5%:50V	121 -207
1605 1205	Capacitor:33PF:±5%:50V	121 -208
1605 1206	Capacitor:47PF:±5%:50V	121 -209
1605 1207	Capacitor:68PF:±5%:50V	121 -210
1605 1208	Capacitor:100PF:±5%:50V	121 -211
1605 1209	Capacitor:150PF:±5%:50V	121 -212
1605 1210	Capacitor:180PF:±5%:50V	121 -213
1605 1211	Capacitor:220PF:±10%:50V	121 -214
1605 1212	Capacitor:470PF:±10%:50V	121 -215
1605 1214	Capacitor:1000PF:±10%:50V	121 -216
1605 1216	Capacitor:2200PF:±10%:50V	121 -217
1605 1221	Capacitor:100000PF:+80-20%:16V	121 -218
1605 1234	Capacitor:4700PF:±10%:50V	121 -219
1605 1240	Capacitor:0.01μF:±10%:25V	121 -220
1605 1249	Capacitor:0.047μF:±10%:16v	121 -221
1605 1275	Capacitor:820PF:±5%:50V	121 -222
1605 1281	Capacitor - 0.22μF ±10% 16v	101 -157
1605 1281	Capacitor - 0.22μF ±10% 16v	121 -223
1605 1282	Capacitor:22μF:+80-20%:10V	121 -224
1605 1283	Capacitor:680PF:±10%:50V	121 -225
1605 1284	Capacitor:1500PF:±10%:50V	121 -226
1605 1289	Capacitor:0.1μF:±10%:10V	121 -227
1605 1294	Resistor - 1000pF ±5% 50v	121 -228
1605 1295	Capacitor:10μF:+80-20%:10V	101 -158

Part No.	Description	Page and Index No.
1605 1295	Capacitor:10μF:+80-20%:10V	121 -229
1605 1296	Capacitor:330PF:±10%:50V	121 -230
1605 1303	Capacitor:0.01μF:+80-20%:50V	121 -231
1605 1306	Capacitor - 1μF ±10% 10v	121 -232
1605 1307	Capacitor - 2.2μF +80-20% 11v	121 -233
1605 1344	Capacitor:33PF:±5%:50V	121 -234
1605 1347	Capacitor:1μF:+80-20%:16V	101 -159
1605 1347	Capacitor:1μF:+80-20%:16V	121 -235
1605 1352	Capacitor:82PF:±5%:50V	121 -236
1605 1354	Capacitor:1200PF:±5%:50V	121 -237
1605 1363	Capacitor - 4.7μF +80-20% 25v	121 -238
1605 1367	Capacitor - 0.033μF ±10% 16v	121 -239
1605 1391	Capacitor - 22μF:±20%:6.3v	121 -240
1605 1417	Capacitor:47μF:+80-20%:10V	121 -241
1605 1419	Capcitor:4.7μF:±10%:16v	121 -242
1605 1430	Capacitor:1μF:+80-20%:50V	121 -243
1605 1432	Capacitor:100μF:±20%:6.3V	121 -244
1605 1446	Capacitor:120PF:±5%:50V	121 -245
1605 1450	Capacitor:22μF:±10%:6.3V	121 -246
1605 1464	Capacitor:10μF:±20%:25V	121 -247
1605 1479	Capacitor:47PF:±10%:50V	93 - 190
1605 1481	Capacitor:1000PF:±20%:50V	93 - 191
1605 1482	Capacitor:4700PF:±20%:50V	93 - 192
1605 1496	Resistor - 10μF +80-20% 35v	121 -248
1605 1531	Capacitor:470PF:±20%:50V	93 - 193
1605 1544	Capacitor:330PF:±5%:50V	121 -249
1605 1583	Capacitor:0.1μF:±10%:16V	121 -250
1605 1597	Capacitor:2.2μF:+80-20%:50V	93 - 194
1607 0623	Ferrite Core - Tfc-16-8-13	69 - 110
1607 0978	Filter:BLM21PG300SN1B	121 -251
1607 1002	Filter:NFE31PT222Z1E9B	93 - 195
1607 1051	Filter:FBMJ2125HS420	121 -252
1607 1196	Inductor:SLF7045-221MR33-PF	101 -160
1607 1316	Filter - Fbmj1608hs280nt	121 -253
1607 1322	Inductor:LB2012B4R7M	121 -254

Part No.	Description	Page and Index No.
1607 1362	Choke Coil:ACM3225-800-2P	121 -255
1607 1489	Filter - Mmz1608b301c	121 -256
1607 1536	Filter:NFM21PC105B1A3B	101 -161
1607 1556	Inductor:RLF7030-1R5N6R1	121 -257
1607 1606	Inductor:NLFC453232-150K-PF	101 -162
1607 1651	Inductor:HM73-101R0LF	121 -258
1607 1657	Inductor:HM73-10R68LF	121 -259
1607 1707	Inductor:CDRH5D28RNP-150NC	101 -163
1607 1714	Ferrite Core:Rfc-6	85 - 102
1609 0005	Resistor:33 Ω : \pm 5%:1/16W	101 -164
1609 0005	Resistor:33 Ω : \pm 5%:1/16w	121 -260
1609 0006	Resistor:10k Ω : \pm 5%:1/16W	101 -165
1609 0006	Resistor:10k Ω : \pm 5%:1/16w	93 - 196
1609 0006	Resistor:10k Ω : \pm 5%:1/16w	121 -261
1609 0007	Resistor - 68 Ω \pm 5% 1/16W	101 -166
1609 0007	Resistor - 68 Ω \pm 5% 1/16w	121 -262
1609 0011	Resistor:22 Ω : \pm 5%:1/16w	121 -263
1609 0012	Chip Resistor:3.3K Ω : \pm 5%:1/16W:8p	101 -167
1609 0016	Resistor:56 Ω : \pm 5%:1/16w	121 -264
1609 0017	Chip Resistor:150 Ω : \pm 5%:1/16W:8p	101 -168
1609 0026	Resistor - 47 Ω \pm 5% 1/16w	121 -265
1609 0027	Resistor - 100k Ω \pm 5% 1/16w	121 -266
1609 0045	Resistor - 27 Ω \pm 5% 1/16w	121 -267
1609 0070	Resistor Array:1M Ω \pm 5%:1/16W:4Number	93 - 197
1610 1409	Resistor:6.8 Ω : \pm 5%:1W:6332	93 - 198
1610 1427	Resistor:15 Ω : \pm 5%:1W 6332	101 -169
1610 1733	Resistor - 0.01 Ω \pm 1% 1w	121 -268
1610 1750	Chip Resistor:1K Ω : \pm 1%:1/2W:5025	93 - 199
1610 1771	Chip Resistor:1 Ω : \pm 5%:1W:6332	93 - 200
1610 1804	Resistor:0.006 Ω : \pm 1%:1w	121 -269
1610 1805	Resistor:0.003 Ω : \pm 2%:1W	121 -270
1610 1947	Resistor:220 Ω : \pm 5%:1W:6332	93 - 201
1632 0000	Resistor:0 Ω :3216	121 -271
1633 0000	Resistor:0 Ω :2125	101 -170
1633 0000	Resistor:0 Ω :2125	93 - 202

Part No.	Description	Page and Index No.
1633 0000	Resistor:0 Ω :2125	121 -272
1634 0000	Resistor:0 Ω :1608	101 -171
1634 0000	Resistor:0 Ω :1608	93 - 203
1634 0000	Resistor:0 Ω :1608	121 -273
1644 0100	Capacitor:10 μ F: \pm 20%:10V	101 -172
1650 2680	Chip Resistor:68 Ω : \pm 5%:1/4W:3216	93 - 204
1650 2680	Chip Resistor:68 Ω : \pm 5%:1/4W:3216	101 -173
1650 2682	Resistor:6.8K Ω : \pm 5%:1/4W:3216	93 - 205
1650 3153	Resistor:15K Ω : \pm 5%:1/8W:2125	93 - 206
1650 4100	Resistor:10 Ω : \pm 5%:1/10W:1608	93 - 207
1650 4101	Resistor:100 Ω : \pm 5%:1/10W:1608	93 - 208
1650 4101	Resistor:100 Ω : \pm 5%:1/10W:1608	101 -174
1650 4102	Resistor:1K Ω : \pm 5%:1/10W:1608	93 - 209
1650 4102	Resistor:1K Ω : \pm 5%:1/10W:1608	101 -175
1650 4103	Resistor:10K Ω : \pm 5%:1/10W:1608	93 - 210
1650 4103	Resistor:10K Ω : \pm 5%:1/10W:1608	101 -176
1650 4104	Resistor:100K Ω : \pm 5%:1/10W:1608	93 - 211
1650 4105	Resistor:1M Ω : \pm 5%:1/10W:1608	101 -177
1650 4105	Resistor:1M Ω : \pm 5%:1/10W:1608	93 - 212
1650 4122	Resistor:1.2K Ω : \pm 5%:1/10W:1608	93 - 213
1650 4122	Resistor:1.2K Ω : \pm 5%:1/10W:1608	101 -178
1650 4154	Resistor:150K Ω : \pm 5%:1/10W:1608	93 - 214
1650 4154	Resistor:150K Ω : \pm 5%:1/10W:1608	101 -179
1650 4161	Resistor:160 Ω : \pm 5%:1/10W:1608	93 - 215
1650 4162	Resistor:1.6K Ω : \pm 5%:1/10W:1608	93 - 216
1650 4181	Resistor:180 Ω : \pm 5%:1/10W:1608	101 -180
1650 4202	Resistor:2K Ω : \pm 5%:1/10W:1608	93 - 217
1650 4220	Resistor:22 Ω : \pm 5%:1/10W:1608	93 - 218
1650 4222	Resistor:2.2K Ω : \pm 5%:1/10W:1608	101 -181
1650 4222	Resistor:2.2K Ω : \pm 5%:1/10W:1608	93 - 219
1650 4223	Resistor:22K Ω : \pm 5%:1/10W:1608	93 - 220
1650 4244	Resistor:240K Ω : \pm 5%:1/10W:1608	101 -182
1650 4330	Resistor:33 Ω : \pm 5%:1/10W:1608	93 - 221
1650 4330	Resistor:33 Ω : \pm 5%:1/10W:1608	101 -183
1650 4331	Resistor:330 Ω : \pm 5%:1/10W:1608	101 -184

Part No.	Description	Page and Index No.
1650 4332	Resistor:3.3K Ω : \pm 5%:1/10W:1608	101 -185
1650 4471	Resistor:470 Ω : \pm 5%:1/10W:1608	101 -186
1650 4472	Resistor:4.7K Ω : \pm 5%:1/10W:1608	93 - 222
1650 4472	Resistor:4.7K Ω : \pm 5%:1/10W:1608	101 -187
1650 4473	Resistor:47K Ω : \pm 5%:1/10W:1608	93 - 223
1650 4560	Resistor:56 Ω : \pm 5%:1/10W:1608	93 - 224
1650 4621	Chip Resistor:620 Ω : \pm 5%:1/10W:1608	101 -188
1650 4680	Resistor:68 Ω : \pm 5%:1/10W:1608	93 - 225
1650 4680	Resistor:68 Ω : \pm 5%:1/10W:1608	101 -189
1650 4681	Resistor:680 Ω : \pm 5%:1/10W:1608	93 - 226
1650 4821	Chip Resistor:820 Ω : \pm 5%:1/10W:1608	101 -190
1650 5100	Chip Resistor:10 Ω : \pm 5%:1/16W	121 -274
1650 5101	Resistor:100 Ω : \pm 5%:1/16W:1005	121 -275
1650 5102	Resistor:1K Ω : \pm 5%:1/16W:1005	121 -276
1650 5103	Resistor:10K Ω : \pm 5%:1/16W:1005	121 -277
1650 5104	Resistor:100K Ω : \pm 5%:1/16W:1005	121 -278
1650 5106	Resistor:10M Ω : \pm 5%:1/16W:1005	121 -279
1650 5109	Resistor:1 Ω : \pm 5%:1/16W:1005	121 -280
1650 5122	Resistor:1.2K Ω : \pm 5%:1/16W:1005	121 -281
1650 5151	Chip Resistor:150 Ω : \pm 5%:1/16W:1005	121 -282
1650 5152	Chip Resistor:1.5K Ω : \pm 5%:1/16W:1005	121 -283
1650 5202	Resistor:2K Ω : \pm 5%:1/16W:1005	121 -284
1650 5204	Chip Resistor:200K Ω : \pm 5%:1/16W:1005	121 -285
1650 5220	Resistor:22 Ω : \pm 5%:1/16W:1005	121 -286
1650 5221	Chip Resistor:220 Ω : \pm 5%:1/16W:1005	121 -287
1650 5222	Resistor:2.2K Ω : \pm 5%:1/16W:1005	121 -288
1650 5241	Resistor:240 Ω : \pm 5%:1/16W:1005	121 -289
1650 5271	Resistor:270 Ω : \pm 5%:1/16W:1005	121 -290
1650 5272	Resistor:2.7K Ω : \pm 5%:1/16W:1005	121 -291
1650 5274	Resistor:270K Ω : \pm 5%:1/16W:1005	121 -292
1650 5309	Resistor:3 Ω : \pm 5%:1/16W:1005	121 -293
1650 5330	Resistor:33 Ω : \pm 5%:1/16W:1005	121 -294
1650 5331	Chip Resistor:330 Ω : \pm 5%:1/16W:1005	121 -295
1650 5332	Chip Resistor:3.3K Ω : \pm 5%:1/16W:1005	121 -296
1650 5390	Chip Resistor:39 Ω : \pm 5%:1/16W:1005	121 -297

Part No.	Description	Page and Index No.
1650 5470	Resistor:47 Ω : \pm 5%:1/16W:1005	121 -298
1650 5471	Chip Resistor:470 Ω : \pm 5%:1/16W:1005	121 -299
1650 5472	Resistor:4.7K Ω : \pm 5%:1/16W:1005	121 -300
1650 5511	Chip Resistor:510 Ω : \pm 5%:1/16W:1005	121 -301
1650 5512	Resistor:5.1K Ω : \pm 5%:1/16W:1005	121 -302
1650 5519	Chip Resistor:5.1 Ω : \pm 5%:1/16W:1005	121 -303
1650 5560	Resistor:56 Ω : \pm 5%:1/16W:1005	121 -304
1650 5562	Resistor:5.6K Ω : \pm 5%:1/16W:1005	121 -305
1650 5563	Chip Resistor:56K Ω : \pm 5%:1/16W:1005	121 -306
1650 5569	Resistor:5.6 Ω : \pm 5%:1/16W:1005	121 -307
1650 5680	Resistor:68 Ω : \pm 5%:1/16W:1005	121 -308
1650 5681	Resistor:680 Ω : \pm 5%:1/16W:1005	121 -309
1650 5683	Resistor:68K Ω : \pm 5%:1/16W:1005	121 -310
1650 5820	Resistor:82 Ω : \pm 5%:1/16W:1005	121 -311
1650 5822	Resistor:8.2K Ω : \pm 5%:1/16W:1005	121 -312
1653 4999	Resistor:49.9 Ω : \pm 1%:1/8W:2125	121 -313
1653 5499	Resistor:54.9 Ω : \pm 1%:1/8W:2125	121 -314
1654 1000	Resistor:100 Ω : \pm 1%:1/10W:1608	101 -191
1654 1001	Resistor:1K Ω : \pm 1%:1/10W:1608	121 -315
1654 1001	Resistor:1K Ω : \pm 1%:1/10W:1608	101 -192
1654 1002	Chip Resistor:10K Ω : \pm 1%:1/10W:1608	93 - 227
1654 1003	Chip Resistor:100K Ω : \pm 1%:1/10W:1608	93 - 228
1654 1004	Resistor:1M Ω : \pm 1%:1/10W:1608	93 - 229
1654 1004	Resistor:1M Ω : \pm 1%:1/10W:1608	121 -316
1654 1101	Chip Resistor:1.1K Ω : \pm 1%:1/10W:1608	93 - 230
1654 1201	Resistor:1.2K Ω : \pm 1%:1/10W:1608	93 - 231
1654 1500	Resistor:150 Ω : \pm 1%:1/10W:1608	93 - 232
1654 1501	Resistor:1.5K Ω : \pm 1%:1/10W:1608	93 - 233
1654 1501	Resistor:1.5K Ω : \pm 1%:1/10W:1608	121 -317
1654 1502	Resistor:15K Ω : \pm 1%:1/10W:1608	121 -318
1654 1601	Chip Resistor:1.6K Ω : \pm 1%:1/10W:1608	93 - 234
1654 1801	Chip Resistor:1.8K Ω : \pm 1%:1/10W:1608	101 -193
1654 1802	Resistor:18K Ω : \pm 1%:1/10W:1608	101 -194
1654 2001	Chip Resistor:2K Ω : \pm 1%:1/10W	93 - 235
1654 2002	Chip Resistor:20K Ω : \pm 1%:1/10W:1608	93 - 236

Part No.	Description	Page and Index No.
1654 2202	Chip Resistor:22K Ω : \pm 1%:1/10W:1608	101 -195
1654 2401	Resistor:2.4K Ω : \pm 1%:1/10W:1608	93 - 237
1654 2741	Resistor:2.74K Ω : \pm 1%:1/10W:1608	93 - 238
1654 3300	Resistor:330 Ω : \pm 1%:1/10W:1608	121 -319
1654 3609	Resistor:36 Ω : \pm 1%:1/10W:1608	121 -320
1654 3741	Chip Resistor:3.74K Ω : \pm 1%:1/10W:1608	93 - 239
1654 3900	Chip Resistor:390 Ω : \pm 1%:1/10W:1608	101 -196
1654 4300	Resistor:430 Ω : \pm 1%:1/10W:1608	93 - 240
1654 4700	Resistor:470 Ω : \pm 1%:1/10W:1608	101 -197
1654 4701	Resistor:4.7K Ω : \pm 1%:1/10W:1608	101 -198
1654 6200	Chip Resistor:620 Ω : \pm 1%:1/10W:1608	93 - 241
1654 6201	Chip Resistor:6.2K Ω : \pm 1%:1/10W:1608	93 - 242
1654 6801	Resistor:6.8K Ω : \pm 1%:1/10W:1608	93 - 243
1654 7501	Chip Resistor:7.5K Ω : \pm 1%:1/10W:1608	93 - 244
1654 7871	Chip Resistor:7.87K Ω : \pm 1%:1/10W:1608	93 - 245
1654 8200	Chip Resistor:820 Ω : \pm 1%:1/10W:1608	101 -199
1654 8201	Resistor:8.2K Ω : \pm 1%:1/10W:1608	121 -321
1654 8201	Resistor:8.2K Ω : \pm 1%:1/10W:1608	93 - 246
1654 9100	Chip Resistor:910 Ω : \pm 1%:1/10W:1608	101 -200
1654 9101	Resistor:9.1K Ω : \pm 1%:1/10W:1608	93 - 247
1655 0000	Resistor:0 Ω :1005	121 -322
1655 1001	Resistor:1K Ω : \pm 1%:1/16W:1005	121 -323
1655 1002	Chip Resistor:10K Ω : \pm 1%:1/16W:1005	121 -324
1655 1003	Chip Resistor:100K Ω : \pm 1%:1/16W:1005	121 -325
1655 1009	Chip Resistor:10 Ω : \pm 1%:1/16W:1005	121 -326
1655 1100	Chip Resistor:110 Ω : \pm 1%:1/16W:1005	121 -327
1655 1200	Chip Resistor:120 Ω : \pm 1%:1/16W:1005	121 -328
1655 1370	Chip Resistor:137 Ω : \pm 1%:1/16W:1005	121 -329
1655 1409	Chip Resistor:14 Ω : \pm 1%:1/16W:1005	121 -330
1655 1502	Resistor:15K Ω : \pm 1%:1/16W:1005	121 -331
1655 1800	Resistor:180 Ω : \pm 1%:1/16W:1005	121 -332
1655 1801	Chip Resistor:1.8K Ω : \pm 1%:1/16W:1005	121 -333
1655 1829	Resistor:18.2 Ω : \pm 1%:1/16W:1005	121 -334
1655 2000	Chip Resistor:200 Ω : \pm 1%:1/16W:1005	121 -335
1655 2001	Chip Resistor:2K Ω : \pm 1%:1/16W	121 -336

Part No.	Description	Page and Index No.
1655 2002	Chip Resistor:20K Ω : \pm 1%:1/16W:1005	121 -337
1655 2003	Resistor:200K Ω : \pm 1%:1/16W:1005	121 -338
1655 2052	Resistor:20.5K Ω : \pm 1%:1/16W:1005	121 -339
1655 2209	Chip Resistor:22 Ω : \pm 1%:1/16W	121 -340
1655 2210	Resistor:221 Ω : \pm 1%:1/16W:1005	121 -341
1655 2401	Chip Resistor:2.4K Ω : \pm 1%:1/16W:1005	121 -342
1655 2433	Resistor:243K Ω : \pm 1%:1/16W:1005	121 -343
1655 2490	Resistor:249 Ω : \pm 1%:1/16W:1005	121 -344
1655 2679	Resistor:26.7 Ω : \pm 1%:1/16W:1005	121 -345
1655 2709	Resistor:27 Ω : \pm 1%:1/16W:1005	121 -346
1655 2749	Chip Resistor:27.4 Ω : \pm 1%:1/16W:1005	121 -347
1655 2803	Chip Resistor:280K Ω : \pm 1%:1/16W:1005	121 -348
1655 3000	Resistor:300 Ω : \pm 1%:1/16W:1005	121 -349
1655 3010	Chip Resistor:301 Ω : \pm 1%:1/16W:1005	121 -350
1655 3091	Resistor:3.09K Ω : \pm 1%:1/16W:1005	121 -351
1655 3303	Chip Resistor:330K Ω : \pm 1%:1/16W:1005	121 -352
1655 3309	Chip Resistor:33 Ω : \pm 1%:1/16W:1005	121 -353
1655 3329	Resistor:33.2 Ω : \pm 1%:1/16W:1005	121 -354
1655 3480	Resistor:348 Ω : \pm 1%:1/16W:1005	121 -355
1655 3659	Resistor:36.5 Ω : \pm 1%:1/16W:1005	121 -356
1655 3900	Resistor:390 Ω : \pm 1%:1/16W:1005	121 -357
1655 4301	Resistor:4.3K Ω : \pm 1%:1/16W:1005	121 -358
1655 4321	Resistor:4.32K Ω : \pm 1%:1/16W:1005	121 -359
1655 4700	Chip Resistor:470 Ω : \pm 1%:1/16W:1005	121 -360
1655 4709	Resistor:47 Ω : \pm 1%:1/16W:1005	121 -361
1655 4750	Chip Resistor:475 Ω : \pm 1%:1/16W:1005	121 -362
1655 4999	Chip Resistor:49.9 Ω : \pm 1%:1/16W:1005	121 -363
1655 5109	Chip Resistor:51 Ω : \pm 1%:1/16W	121 -364
1655 5119	Chip Resistor:51.1 Ω : \pm 1%:1/16W:1005	121 -365
1655 5499	Resistor:54.9 Ω : \pm 1%:1/16W:1005	121 -366
1655 5609	Chip Resistor:56 Ω : \pm 1%:1/16W:1005	121 -367
1655 5621	Resistor:5.62K Ω : \pm 1%:1/16W:1005	121 -368
1655 5629	Resistor:56.2 Ω : \pm 1%:1/16W:1005	121 -369
1655 5760	Resistor:576 Ω : \pm 1%:1/16W:1005	121 -370
1655 6049	Chip Resistor:60.4 Ω : \pm 1%:1/16W:1005	121 -371

Part No.	Description	Page and Index No.
1655 6199	Chip Resistor:61.9 Ω:±1%:1/16W:1005	121 -372
1655 6342	Resistor:63.4K Ω:±1%:1/16W:1005	121 -373
1655 6809	Chip Resistor:68 Ω:±1%:1/16W	121 -374
1655 7509	Chip Resistor:75 Ω:±1%:1/16W	121 -375
1655 8062	Chip Resistor:80.6K Ω:±1%:1/16W:1005	121 -376
1655 8063	Resistor:806K Ω:±1%:1/16W:1005	121 -377
1655 8200	Chip Resistor:820 Ω:±1%:1/16W:1005	121 -378
1655 8202	Chip Resistor:82K Ω:±1%:1/16W:1005	121 -379
1655 8209	Chip Resistor:82 Ω:±1%:1/16W	121 -380
1655 9100	Chip Resistor:910 Ω:±1%:1/16W:1005	121 -381
1660 2101	Capacitor:100PF:50V:1608	93 - 248
1660 2101	Capacitor:100PF:50V:1608	101 -201
1660 2120	Capacitor:12PF:50V:1608	101 -202
1660 2150	Capacitor:15PF:50V:1608	101 -203
1660 2150	Capacitor:15PF:50V:1608	93 - 249
1660 2151	Capacitor:150PF:±5%:50V:1608	101 -204
1660 2220	Ceramic Capacitor:22PF:50V:1608	93 - 250
1660 2330	Capacitor:33PF:50V:1608	101 -205
1660 2470	Capacitor:47PF:50V:1608	93 - 251
1660 2470	Capacitor:47PF:50V:1608	101 -206
1660 4102	Capacitor:1000PF:50V:1608	93 - 252
1660 4102	Capacitor:1000PF:50V:1608	101 -207
1660 4103	Capacitor:10000PF:50V:1608	101 -208
1660 4332	Capacitor:3300PF:50V 1608	101 -209
1660 4472	Capacitor:4700PF:50V:1608	93 - 253
1660 4472	Capacitor:4700PF:50V:1608	101 -210
1660 6103	Capacitor:10000PF:50V:1608	93 - 254
1660 6103	Capacitor:10000PF:50V:1608	101 -211
1660 8104	Capacitor:100000PF:25V:1608	93 - 255
1660 8104	Capacitor:100000PF:25V:1608	101 -212
1660 8104	Capacitor:100000PF:25V:1608	121 -382
1902 0069	Sram:4M:X16:3.3V:G1	101 -213
1906 0094	Flash Memory:S29Al016D70TFI020	101 -214
1906 0103	Flash Memory:SST25VF010A-33-4C-SAE	121 -383
1907 0057	DDR512M:8Mx16X4:333MHZ:Cl2.5G1	121 -384

Part No.	Description	Page and Index No.
5206 2686	Snap Ring	23 - 36
5447 2681	Snap Ring	73 - 14
5447 2768	Stepped Screw - M3	41 - 6
5840 3022	Stopper Screw - M3	49 - 24