

Color Printers
(M065/M066-EU)
Parts Catalog

Parts change information sample

 **Add**

 **Update**

 **Delete**

Model	Product Code	PC Style
Color Printers	M065/M066	3D
Paper Feed Unit PB1020	M384	3D
Caster Table Type C	M393	Traditional
Hard Disk Drive Option Type 5000	D362	Traditional
IEEE802.11a/g Interface unit Type L	M344	Traditional
Camera Direct Print Card Type H	M385	Traditional
Memory Unit Type I 512MB	D435	Traditional
HDD ENCRYPTION UNIT Type D	M354	Traditional
Data Overwrite Security Unit Type K	M344	Traditional
VM CARD Type O	M385	Traditional
Memory Unit Type G 256MB	D362	Traditional
IEEE1284 Interface Board Type A	B679	Traditional
Gigabit Ethernet Board Type A	G874	Traditional
SD card for NetWare printing Type D	M385	Traditional

Unit All



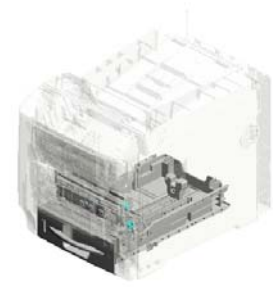
U001
EXTERIOR



U002
OPERATION



U003
LASER UNIT



U004
PAPER FEED



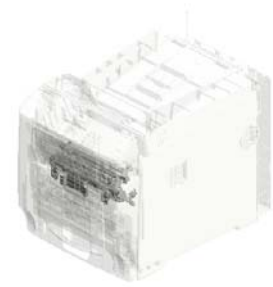
U005
DEVELOPMENT



U006
PCU



U007
ITB UNIT



U008
PAPER TRANSFER



U009
USED TONER



U010
FUSING



U011
BY-PASS FEED

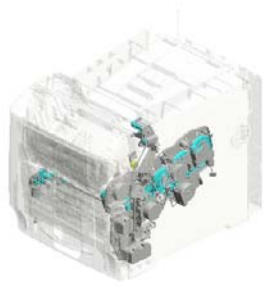


U012
DUPLEX

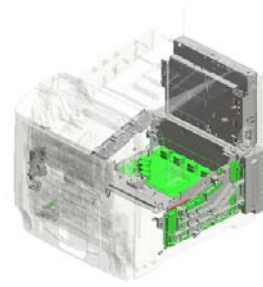
Unit All



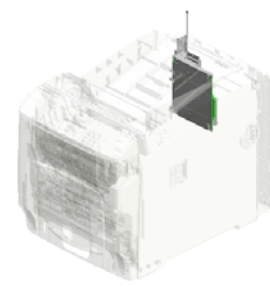
U013
PAPER EXIT



U014
MAIN DRIVE



U015
ELECTRICAL

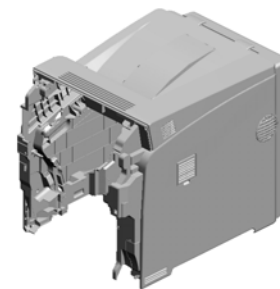


U016
CONTROLLER



U017
MAIN FRAME

U001 EXTERIOR



7.08025320
HEXAGON HEAD TAPPING SCREW:ES:3X10

20.M0661255
COVER:UPPER

3.04543008N
(x21)
TAPPING SCREW: ROUND POINT:3X8

12.B0241264
(x3)
MAGNET CATCH

10.AA021031
MAGNETIC CATCH

1.03530050N
(x2)
SCREW-M3X5

6.08025319
(x9)
HEXAGON HEAD TAPPING SCREW:ES:3X8

5.08025317
(x4)
BINDING HEAD TAPPING SCREW:ES:3X8

19.M0661254
COVER:RIGHT

15.M0261265
CAP:TOTAL COUNTER

11.AG071012
(x2)
MAGNET CATCH:ASSY

4.04543012N
TAPPING SCREW: ROUND POINT:3X12

13.G1021355
BAND:STOPPER:DOOR

9.11050516
CLAMP

18.M0661253
CAP:INNER COVER:RIGHT FRONT

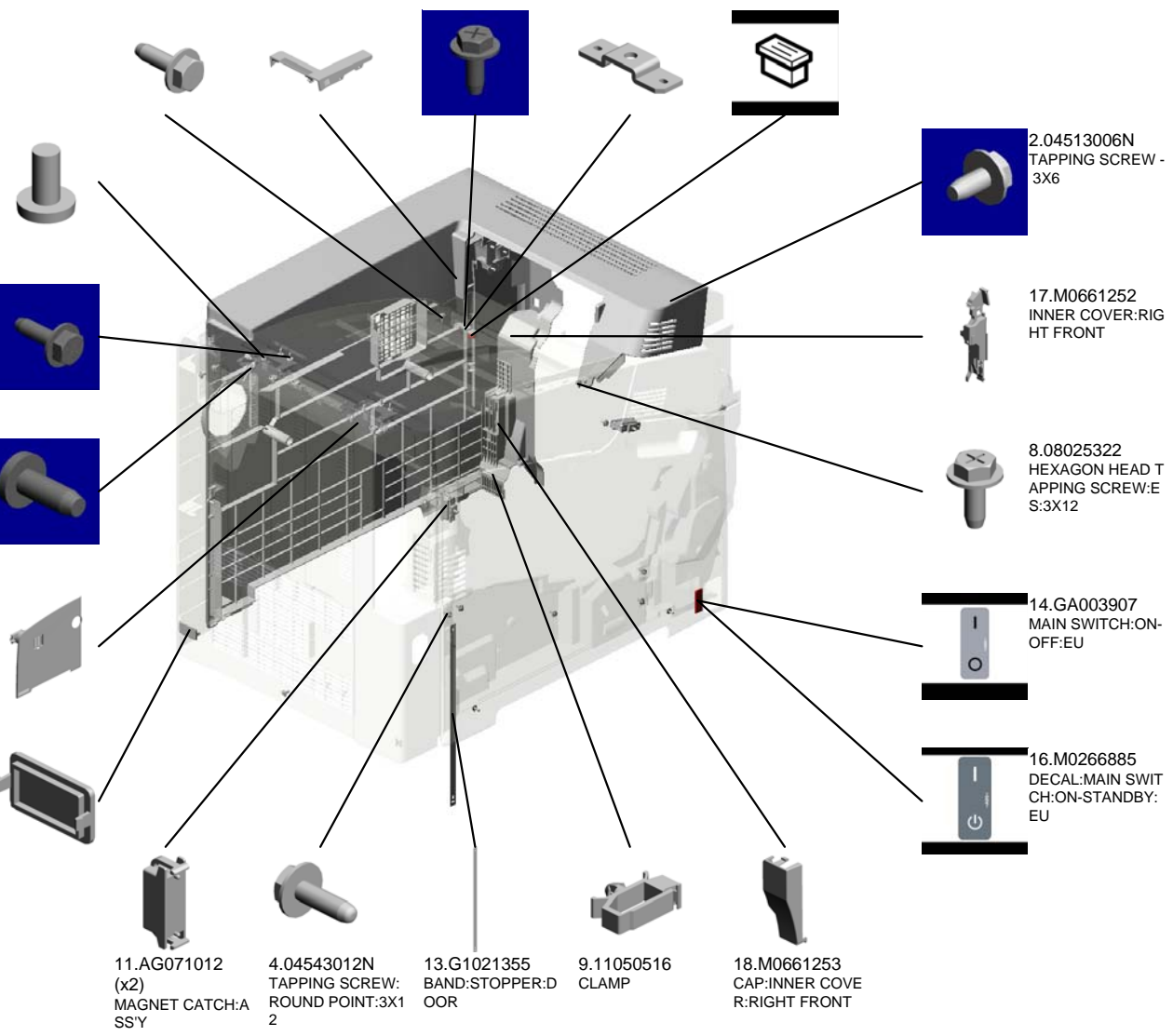
2.04513006N
TAPPING SCREW - 3X6

17.M0661252
INNER COVER:RIGHT FRONT

8.08025322
HEXAGON HEAD TAPPING SCREW:ES:3X12

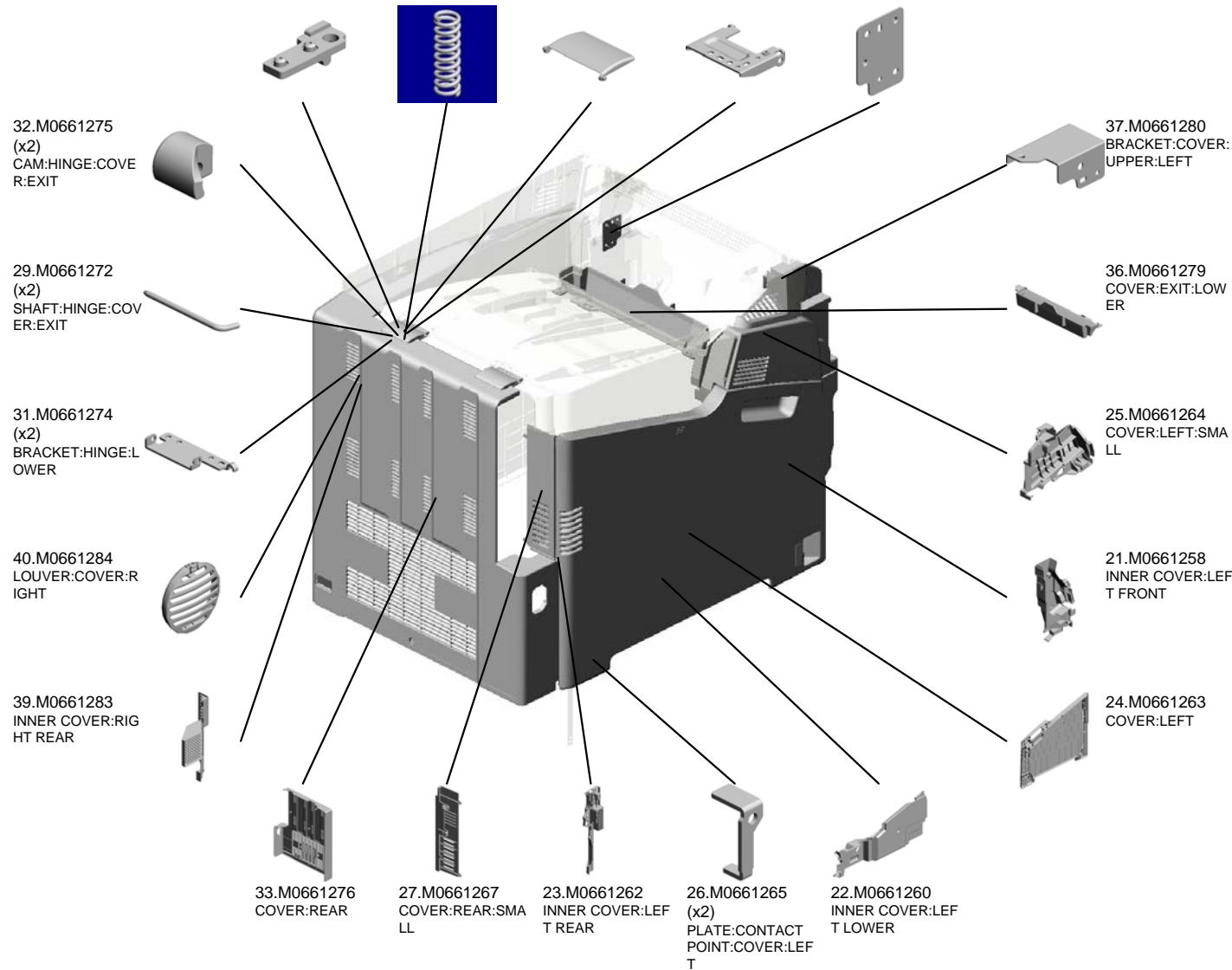
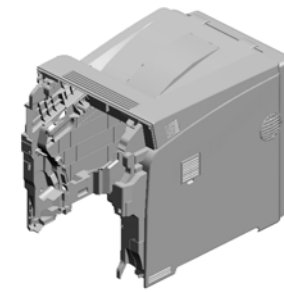
14.GA003907
MAIN SWITCH:ON-OFF:EU

16.M0266885
DECAL:MAIN SWITCH:ON-STANDBY:EU



U001 EXTERIOR

- 35.M0661278 (x2) CAP:BRACKET:HIN
GE
- 28.M0661271 (x2) COIL SPRING:HIN
GE
- 34.M0661277 (x2) COVER:HINGE:EXI
T
- 30.M0661273 (x2) BRACKET:HINGE:U
PPER
- 38.M0661282 BRACKET:COVER:
RIGHT:FRONT

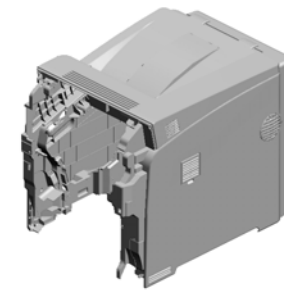


U001 EXTERIOR

44.M0661291
FILTER:TONER SU
PPLY

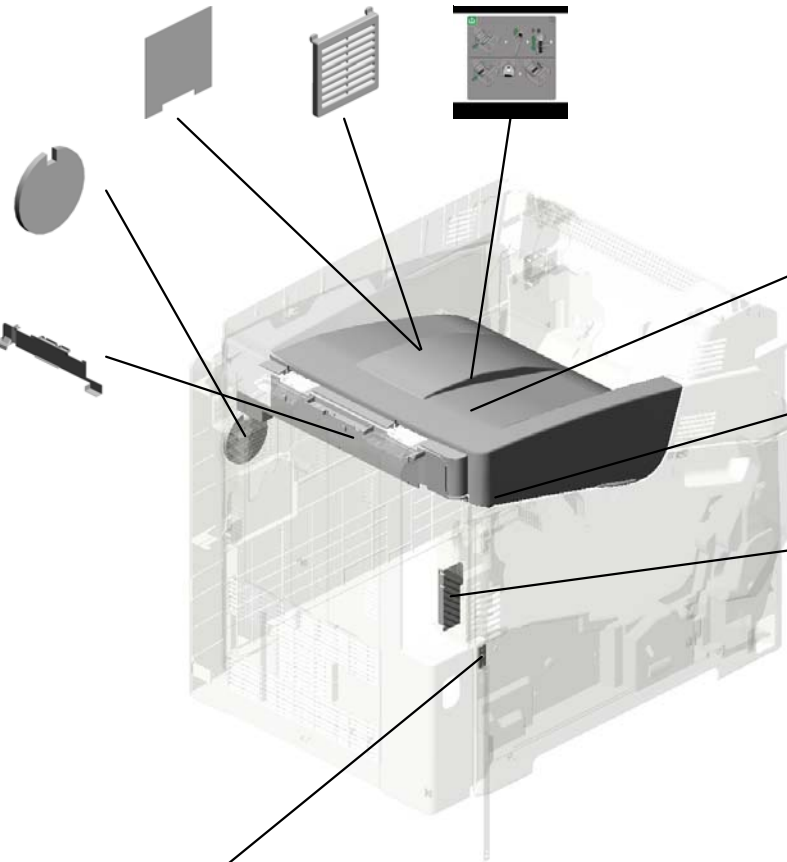
41.M0661285
LOUVER:COVER:R
IGHT:FRONT

47.M0661360
DECAL:OPERATE:
TONER SUPPLY:E
XP



45.M0661292
FILTER:DRIVE

43.M0661288
INNER COVER:RA
CK



49.M0661250
COVER:EXIT

48.M0661361
DECAL:OPERATE:
COVER:LEFT

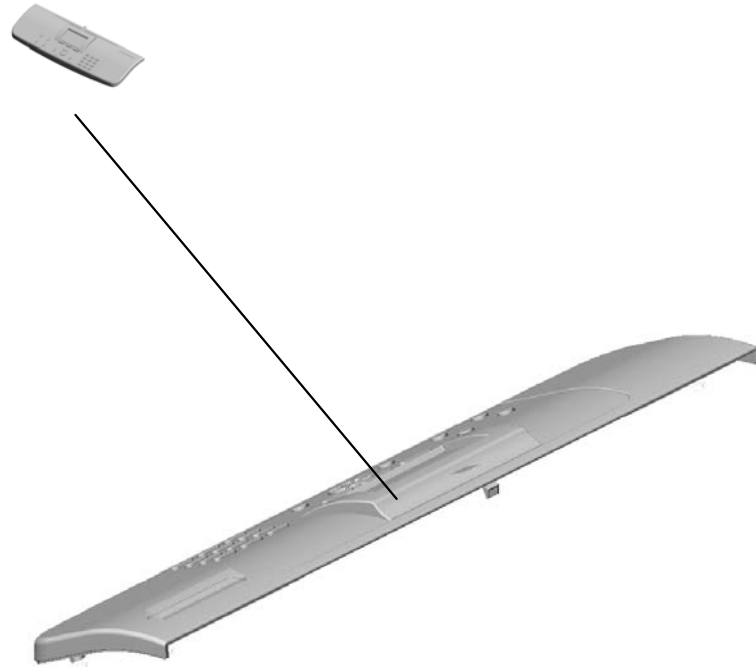
42.M0661286
FILTER:DEVELOP
MENT:ASSY

46.M0661293
SPRING PLATE

U001	U002	U003	U004	U005	U006	U007	U008	U009	U010	U011	U012	U013	U014	U015	U016	U017
------	------	------	------	------	------	------	------	------	------	------	------	------	------	------	------	------

U002.OPERATION

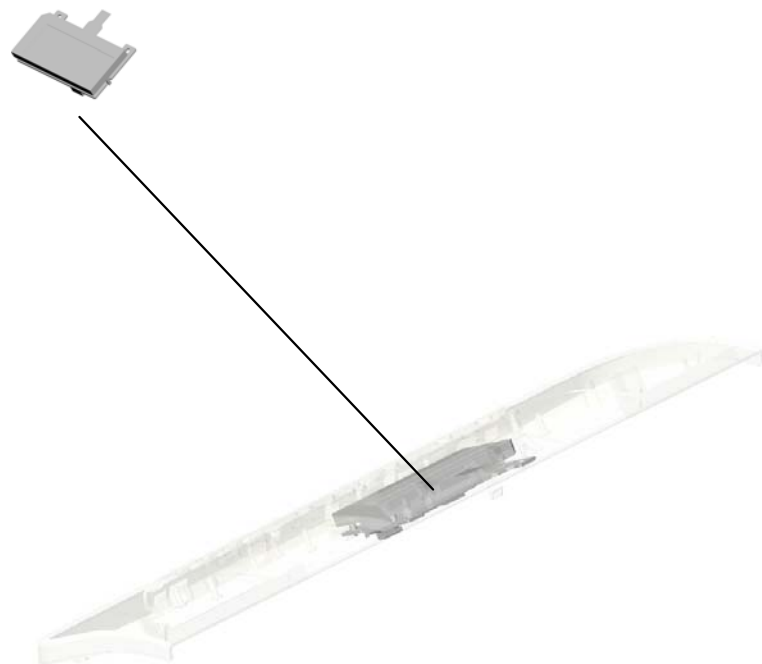
U002_S001
M0661401
OPERATION SUB-UNIT



U001	U002	U003	U004	U005	U006	U007	U008	U009	U010	U011	U012	U013	U014	U015	U016	U017
------	-------------	------	------	------	------	------	------	------	------	------	------	------	------	------	------	------

U002_S001.OPERATION SUB-UNIT

U002_S001_S001
M0661456
PCB:LCD:ASS'Y

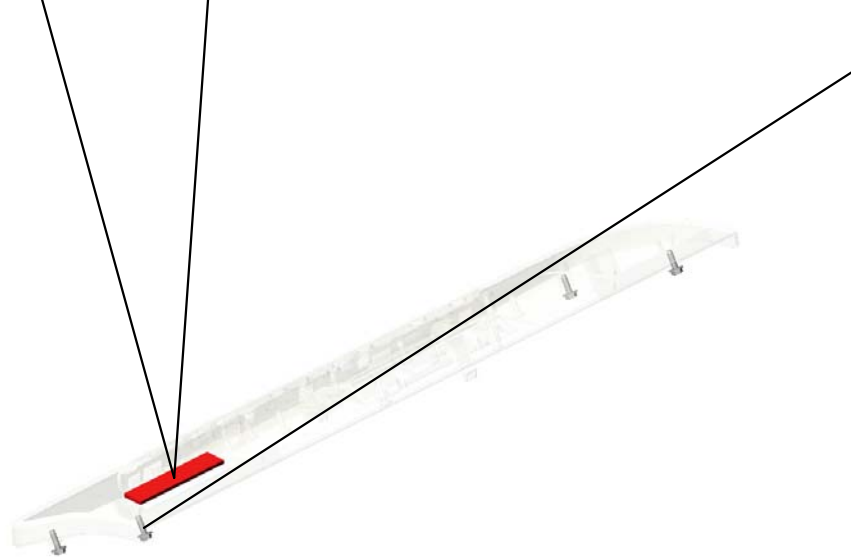


U001	U002	U003	U004	U005	U006	U007	U008	U009	U010	U011	U012	U013	U014	U015	U016	U017
------	-------------	------	------	------	------	------	------	------	------	------	------	------	------	------	------	------

U002 OPERATION

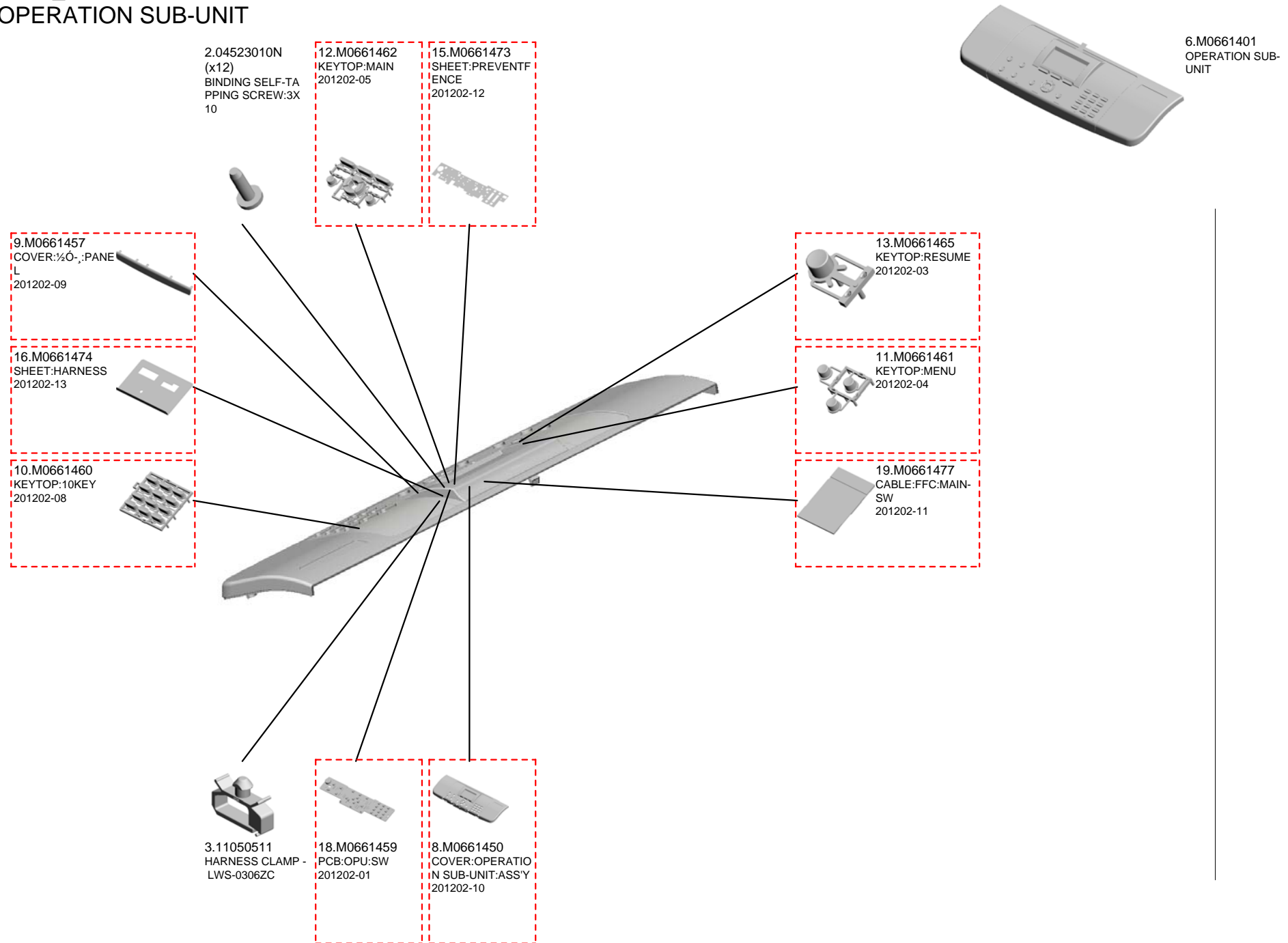
5.M0656861
DECAL:MODEL NA
ME PLATE:M065:RI
C:(for M065)

7.M0666861
DECAL:MODEL NA
ME PLATE:M066:RI
C:(for M066)



1.04503010N
(x4)
TAPPING SCREW -
M3X10

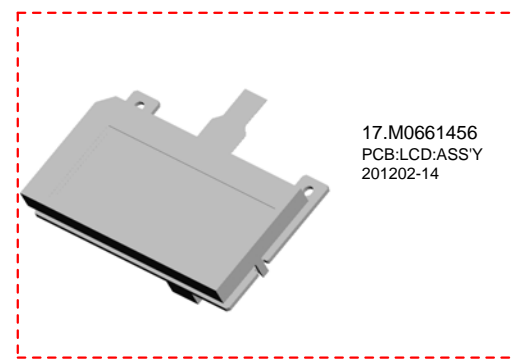
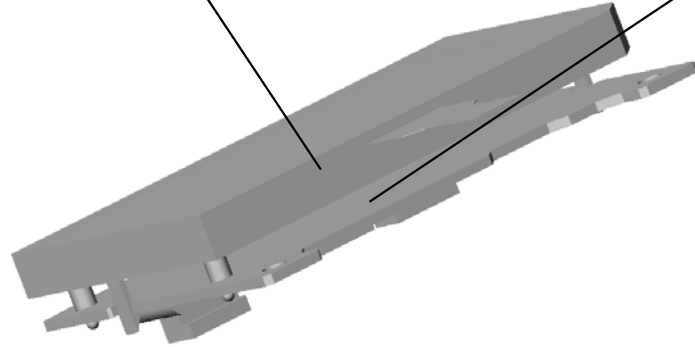
U002_S001 OPERATION SUB-UNIT



U001	U002	U003	U004	U005	U006	U007	U008	U009	U010	U011	U012	U013	U014	U015	U016	U017
------	-------------	------	------	------	------	------	------	------	------	------	------	------	------	------	------	------

U002_S001_S001
PCB:LCD:ASS'Y

4.D0671495
LCD:168*64DOTS



17.M0661456
PCB:LCD:ASS'Y
201202-14

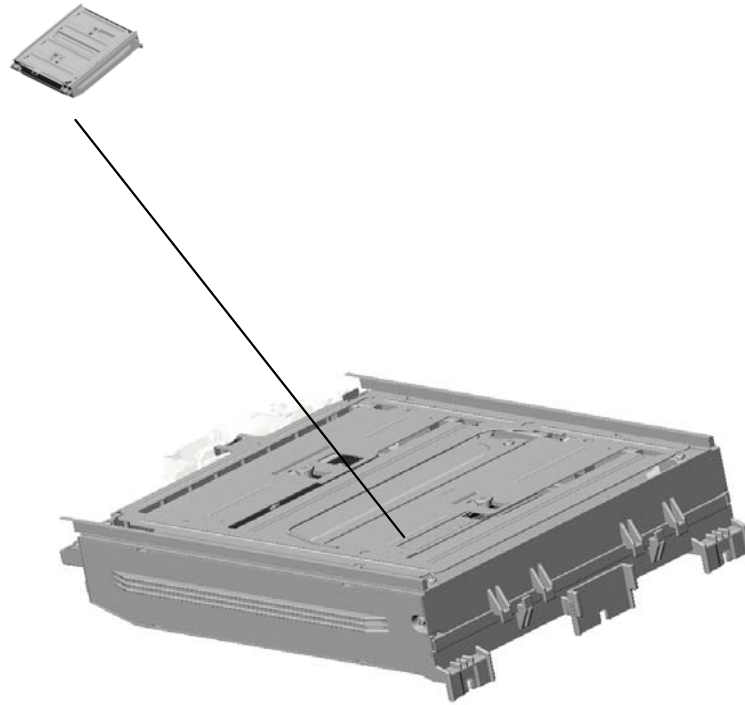


20.M0661458
PCB:OPU:MAIN
201202-02

U001	U002	U003	U004	U005	U006	U007	U008	U009	U010	U011	U012	U013	U014	U015	U016	U017
------	-------------	------	------	------	------	------	------	------	------	------	------	------	------	------	------	------

U003.LASER UNIT

U003_S001
M0661855
OPTICAL WRITING UNIT:SE
RVICE PARTS



U001	U002	U003	U004	U005	U006	U007	U008	U009	U010	U011	U012	U013	U014	U015	U016	U017
------	------	------	------	------	------	------	------	------	------	------	------	------	------	------	------	------

U003 LASER UNIT



1.03530030N
(x2)
SCREW:M3X3

13.M0661994
GEAR:SHUTTER

5.07074060N
BUSHING:DIA4X6

10.M0661986
DC MOTOR:SHUTTER:ASSY

15.M0661998
SEAL:OPTICAL WRITING MD:SHUTTER

11.M0661988
BRACKET:STUD:SHUTTER:ASSY

4.04543006Q
TAPPING SCREW - M3X6

14.M0661995
FEELER:SHUTTER

2.04513006N
(x3)
TAPPING SCREW - 3X6

7.G1022789
STOPPER:PHOTO INTERRUPTOR

6.11050511
(x3)
HARNES CLAMP - LWS-0306ZC

12.M0661990
COVER:BRACKET:SHUTTER

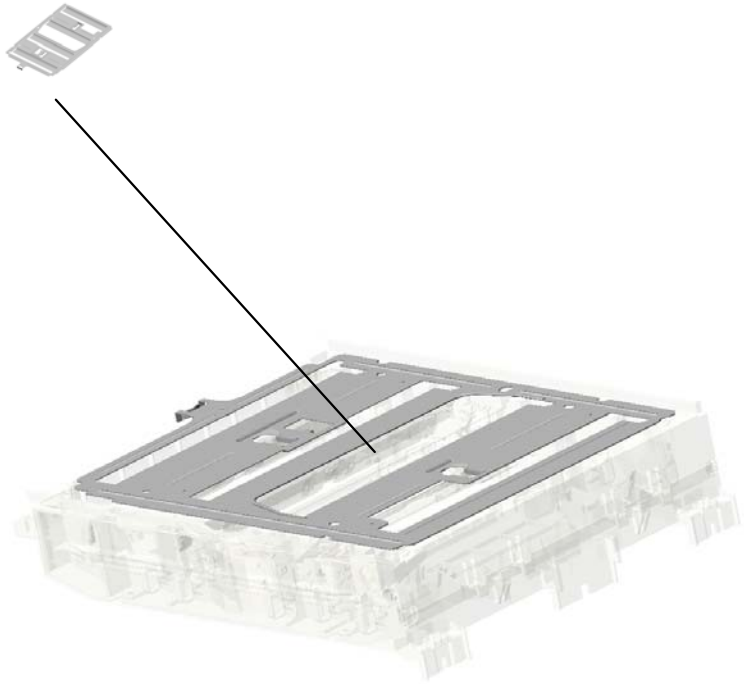
8.GW020020
PHOTOINTERRUPTOR:LG248NL1

3.04513008N
(x2)
TAPPING SCREW - M3X8

U001	U002	U003	U004	U005	U006	U007	U008	U009	U010	U011	U012	U013	U014	U015	U016	U017
------	------	------	------	------	------	------	------	------	------	------	------	------	------	------	------	------

U003_S001
OPTICAL WRITING UNIT:SERVICE PARTS

16.M0661972
STAY:CLEANER:S
HIELD GLASS:ASS'
Y



9.M0661855
OPTICAL WRITING
UNIT:SERVICE PA
RTS

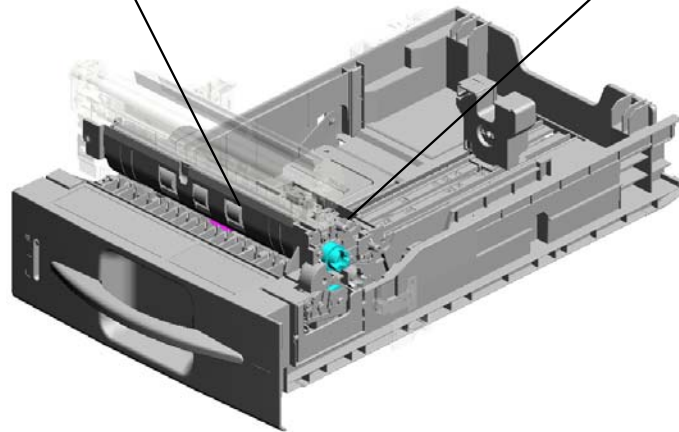
U001	U002	U003	U004	U005	U006	U007	U008	U009	U010	U011	U012	U013	U014	U015	U016	U017
------	------	------	------	------	------	------	------	------	------	------	------	------	------	------	------	------

U004.PAPER FEED

U004_S001
M0662550
PAPER FEED UNIT



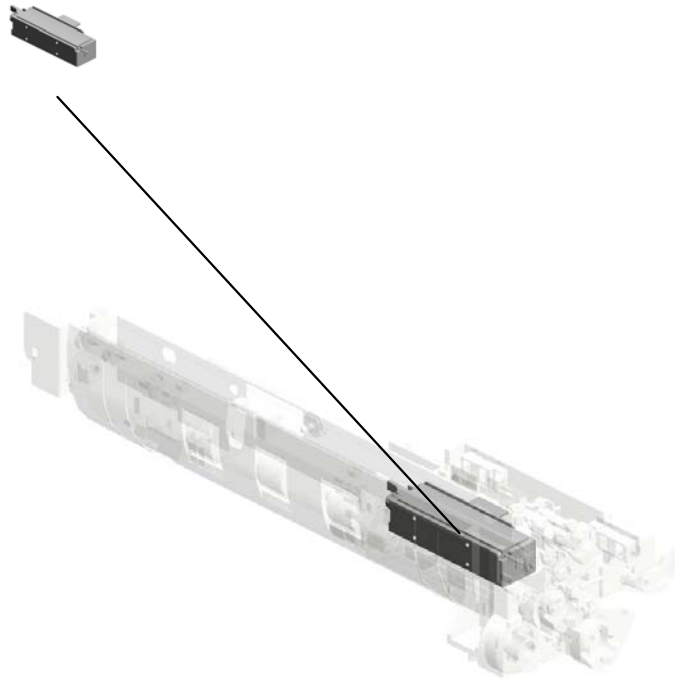
U004_S002
M0662556
PAPER TRAY:ASS'Y



U001	U002	U003	U004	U005	U006	U007	U008	U009	U010	U011	U012	U013	U014	U015	U016	U017
------	------	------	------	------	------	------	------	------	------	------	------	------	------	------	------	------

U004_S001.PAPER FEED UNIT

U004_S001_S001
M0662691
DC SOLENOID:PICKUP:ASS'
Y



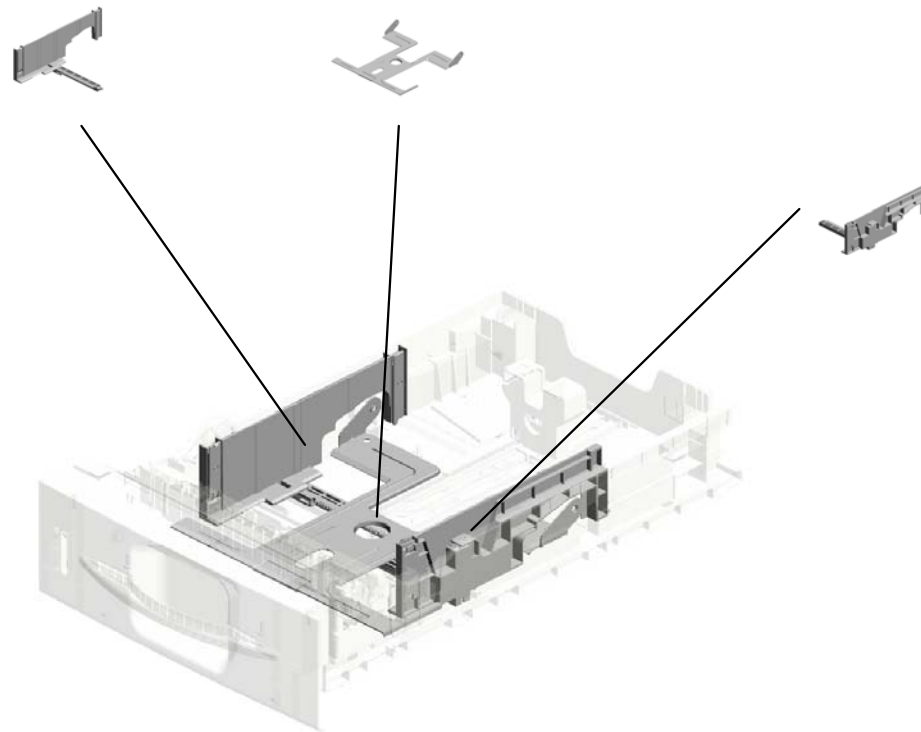
U001	U002	U003	U004	U005	U006	U007	U008	U009	U010	U011	U012	U013	U014	U015	U016	U017
------	------	------	------	------	------	------	------	------	------	------	------	------	------	------	------	------

U004_S002.PAPER TRAY:ASS'Y

U004_S002_S002
M0662613
SIDE FENCE:LEFT:ASS'Y

U004_S002_S003
M0662856
TRAY BOTTOM PLATE:ASS'Y

U004_S002_S001
M0662597
SIDE FENCE:RIGHT:ASS'Y



U001	U002	U003	U004	U005	U006	U007	U008	U009	U010	U011	U012	U013	U014	U015	U016	U017
------	------	------	------	------	------	------	------	------	------	------	------	------	------	------	------	------

U004 PAPER FEED

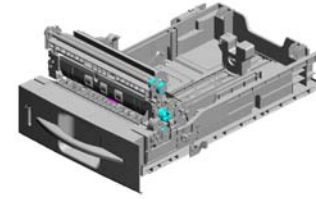
6.06320120G
PARALLEL PIN - 2X
12

3.04513006N
(x4)
TAPPING SCREW -
3X6

36.M0262552
REGISTRATION R
OLLER:DRIVEN

13.11050522
EDGE SADDLE - L
ES0510

8.08025319
(x2)
HEXAGON HEAD T
APPING SCREW:E
S:3X8



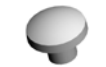
17.AA082075
(x2)
BUSHING - M6



7.07200040E
(x4)
RETAINING RING -
M4



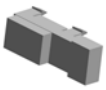
1.03530030N
(x4)
SCREW:M3X3



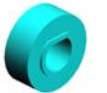
35.M0262551
REGISTRATION R
OLLER:DRIVE



28.AW010107
PAPER FEED SEN
SOR



32.B2382655
GEAR - 16Z



15.52062686
(x2)
SNAP RING



5.04543008Q
(x7)
TAPPING SCREW:
3X8



4.04543006Q
(x12)
TAPPING SCREW -
M3X6



37.M0262553
GEAR:REGISTRATI
ON:26Z



34.G0205626
PUSH SWITCH



39.M0262555
(x2)
TENSION SPRING:
REGISTRATION:7N



38.M0262554
GEAR:REGISTRATI
ON:DRIVEN:14Z



33.B2382675
(x2)
REGISTRATION R
OLLER BUSHING

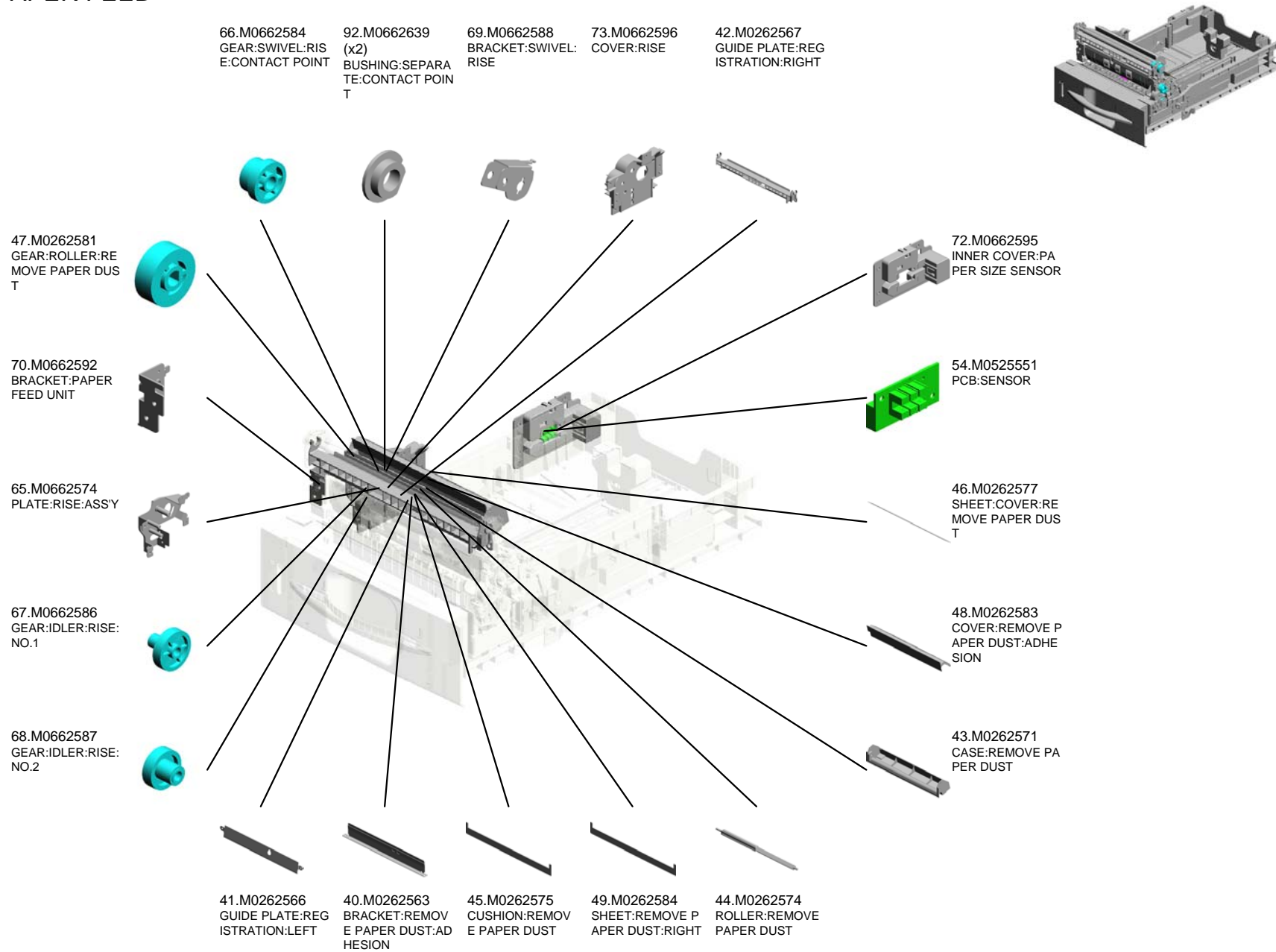


11.08050089
(x3)
RETAINING RING -
M4



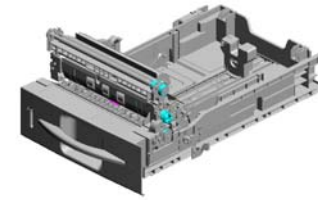
U001	U002	U003	U004	U005	U006	U007	U008	U009	U010	U011	U012	U013	U014	U015	U016	U017
------	------	------	------	------	------	------	------	------	------	------	------	------	------	------	------	------

U004 PAPER FEED



U004 PAPER FEED

127.M0662899 GEAR:SWIVEL:RISE:COUPLING:NO.1
 108.M0662852 SHAFT:SWIVEL:RISE:ASS'Y
 105.M0662695 TENSION SPRING:RISE



100.M0662685 COVER:HARNESS:PAPER FEED UNIT

95.M0662647 (x2) SPRING PLATE:PAPER TRAY:ASS'Y



128.M3842586 GEAR:SWIVEL:RISE:COUPLING:NO.2

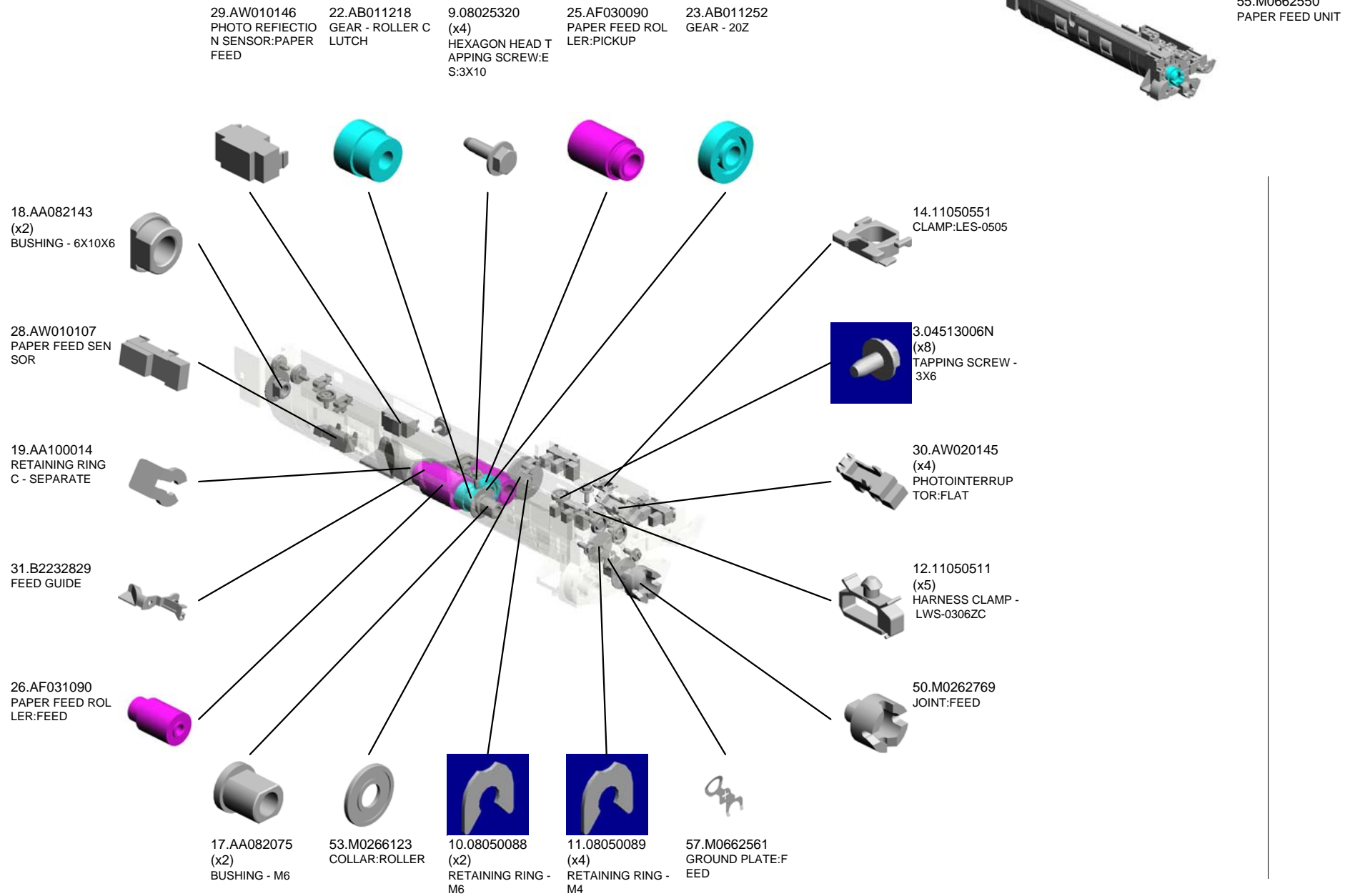
129.M3842587 COLLAR:GEAR:RISE

115.M0662866 GROUND PLATE:PAPER TRAY

107.M0662850 DC MOTOR:RISE:2.6W

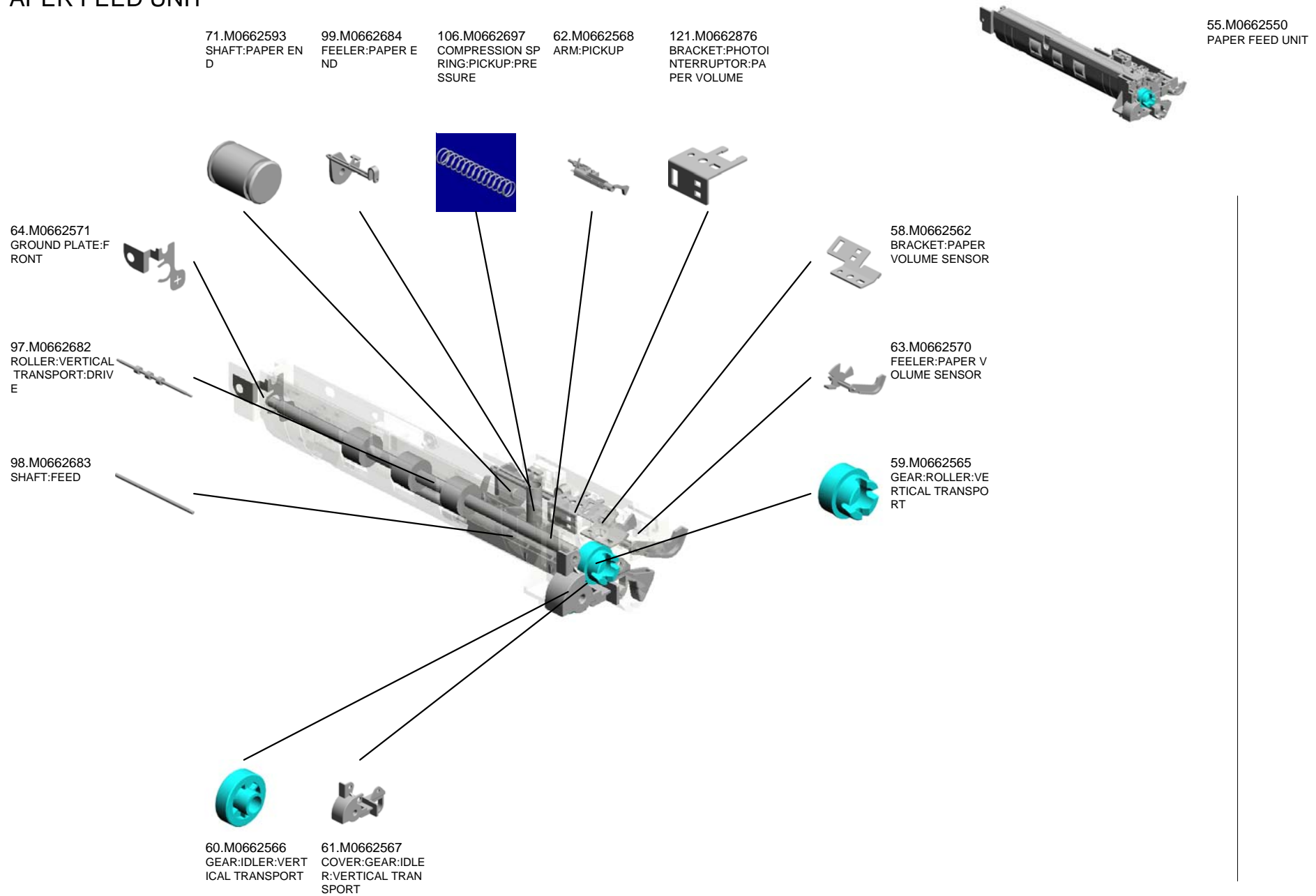
U001	U002	U003	U004	U005	U006	U007	U008	U009	U010	U011	U012	U013	U014	U015	U016	U017
------	------	------	------	------	------	------	------	------	------	------	------	------	------	------	------	------

U004_S001 PAPER FEED UNIT



U001	U002	U003	U004	U005	U006	U007	U008	U009	U010	U011	U012	U013	U014	U015	U016	U017
------	------	------	------	------	------	------	------	------	------	------	------	------	------	------	------	------

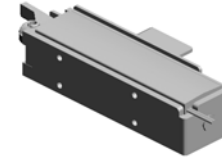
U004_S001 PAPER FEED UNIT



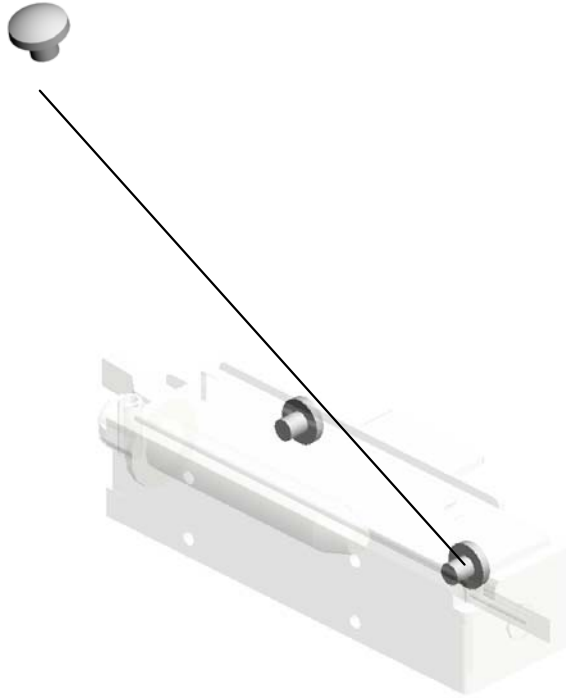
U001	U002	U003	U004	U005	U006	U007	U008	U009	U010	U011	U012	U013	U014	U015	U016	U017
------	------	------	------	------	------	------	------	------	------	------	------	------	------	------	------	------

U004_S001_S001
DC SOLENOID:PICKUP:ASS'Y

1.03530030N
(x2)
SCREW:M3X3



104.M0662691
DC SOLENOID:PIC
KUP:ASS'Y



U001	U002	U003	U004	U005	U006	U007	U008	U009	U010	U011	U012	U013	U014	U015	U016	U017
------	------	------	------	------	------	------	------	------	------	------	------	------	------	------	------	------

U004_S002
PAPER TRAY:ASS'Y

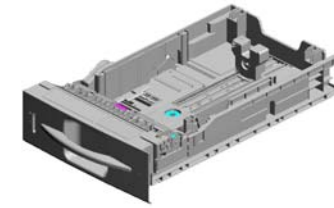
77.M0662609
GEAR:IDLER:RISE

78.M0662610
GEAR:COUPLING:
RISE

27.AF032090
PAPER FEED ROL
LER:SEPARATE

51.M0262828
TORQUE LIMITER

7.07200040E
(x2)
RETAINING RING -
M4



56.M0662556
PAPER TRAY:ASS'
Y

9.08025320
(x11)
HEXAGON HEAD T
APPING SCREW:E
S:3X10

76.M0662608
GEAR:SHAFT:RISE

19.AA100014
RETAINING RING
C - SEPARATE

75.M0662602
GUIDE PLATE:SEP
ARATE:PAPER TR
AY

11.08050089
(x3)
RETAINING RING -
M4

83.M0662624
SHAFT:RISE:ASSY

20.AB010156
GEAR:SEPARATE:
DRIVE

21.AB010157
GEAR:SEPARATE:
DRIVEN

84.M0662625
SHAFT:SEPARATE:
DRIVE:ASSY

3.04513006N
TAPPING SCREW -
3X6

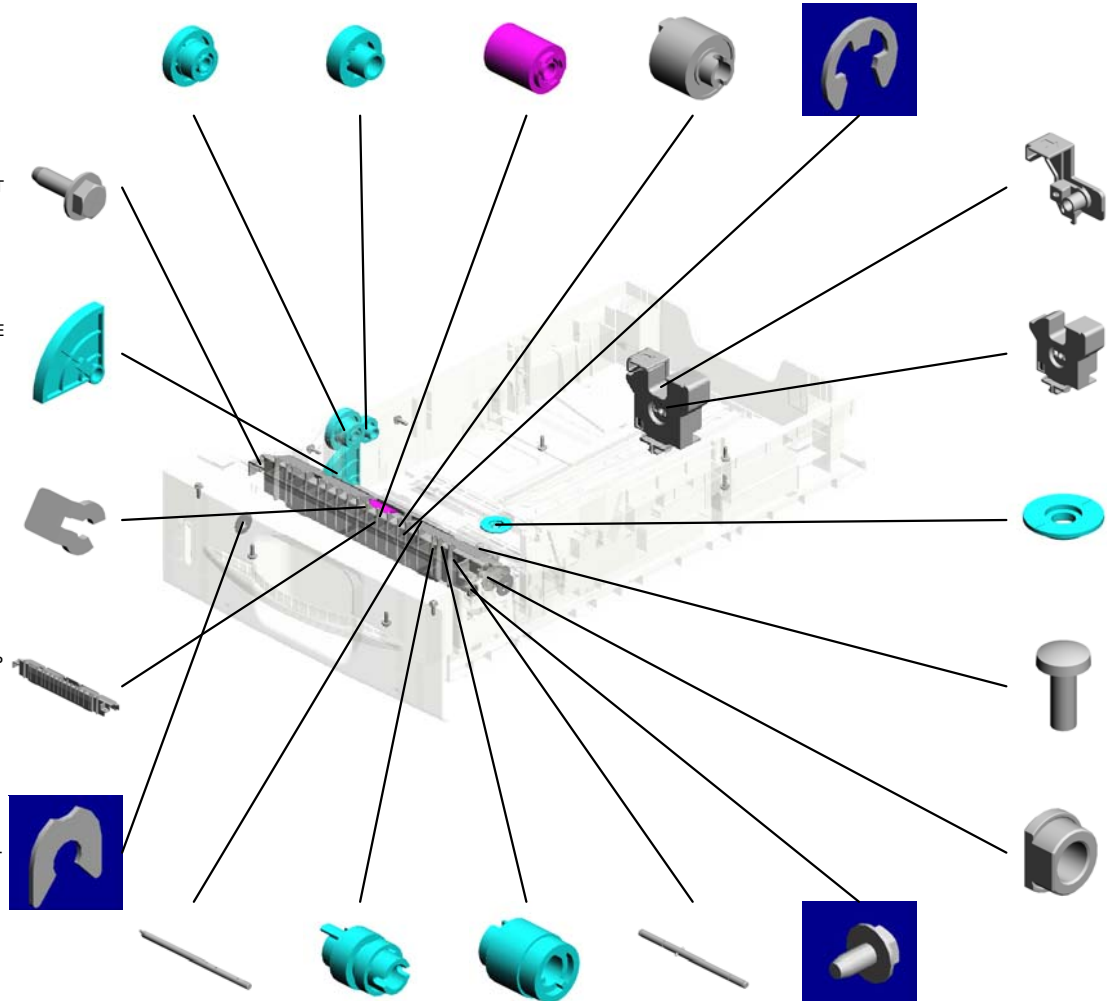
82.M0662622
LEVER:END FENC
E

81.M0662621
BASE:END FENCE

16.A2672869
GEAR - 16Z

2.03530080N
SCREW:M3X8

18.AA082143
(x3)
BUSHING - 6X10X6



U001	U002	U003	U004	U005	U006	U007	U008	U009	U010	U011	U012	U013	U014	U015	U016	U017
------	------	------	------	------	------	------	------	------	------	------	------	------	------	------	------	------

U004_S002 PAPER TRAY:ASS'Y

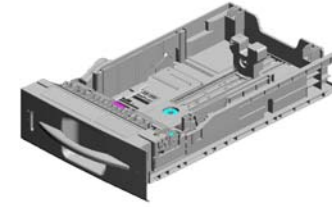
116.M0662868
COVER:RISE:PAPE
R TRAY

85.M0662627
SHAFT:SEPARATE:
DRIVEN:ASS'Y

94.M0662643
LEVER:RISE

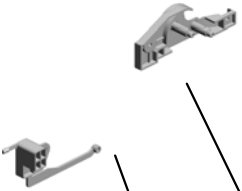
90.M0662635
BRACKET:DRIVE:S
EPARATE:ASS'Y

88.M0662631
PAPER SIZE SENS
OR BOARD



56.M0662556
PAPER TRAY:ASS'
Y

112.M0662860
LEVER:PAPER VO
LUME SENSOR



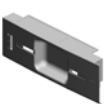
101.M0662687
COMPRESSION SP
RING:SEPARATE:P
RESSURE



109.M0662855
GUIDE PLATE:PAP
ER TRAY



86.M0662629
COVER:PAPER TR
AY:FRONT



89.M0662632
GRIP:PAPER TRAY



93.M0662642
COVER:SEPARATE
:DRIVE



120.M0662875
RING:GEAR:SEPA
RATE:SWIVEL



92.M0662639
(x2)
BUSHING:SEPARA
TE:CONTACT POIN
T



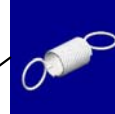
114.M0662865
GROUND PLATE:S
EPARATE:PAPER
TRAY



103.M0662689
TENSION SPRING:
SEPARATE:SWIVE
L



96.M0662680
TENSION SPRING:
END FENCE



111.M0662858
COVER:PAPER SIZ
E SENSOR BOARD



113.M0662861
COIL SPRING:EAR
TH:PAPER TRAY



91.M0662638
GEAR:SWIVEL:SE
PARATE

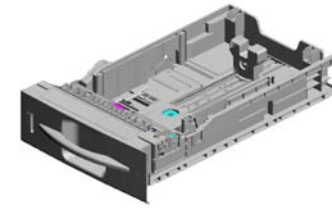


87.M0662630
PAPER VOLUME S
ENSOR BOARD:BA
SE



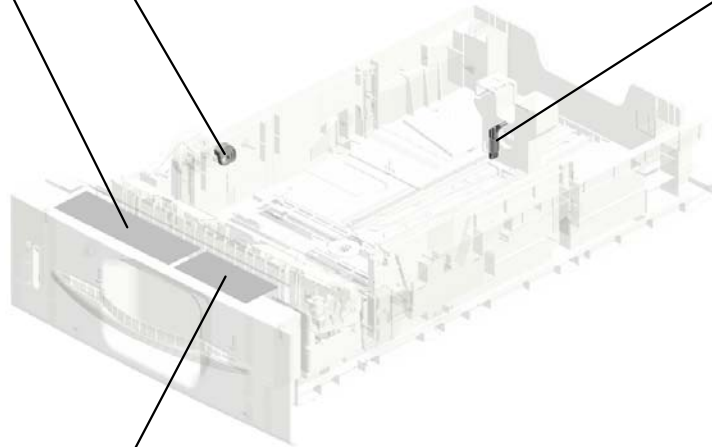
U004_S002
PAPER TRAY:ASS'Y

122.M0662877
COLLAR:RISE:PAP
ER TRAY



56.M0662556
PAPER TRAY:ASS'
Y

126.M0662891
DECAL:PAPER SE
T DIRECTION:TRA
Y:LEFT



124.M0662880
STOPPER:END FE
NCE

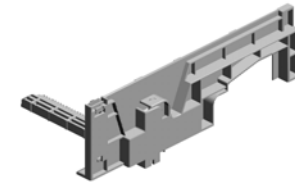


125.M0662890
DECAL:PAPER SE
T DIRECTION:TRA
Y:RIGHT

U001	U002	U003	U004	U005	U006	U007	U008	U009	U010	U011	U012	U013	U014	U015	U016	U017
------	------	------	------	------	------	------	------	------	------	------	------	------	------	------	------	------

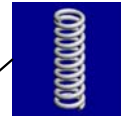
U004_S002_S001
SIDE FENCE:RIGHT:ASS'Y

52.M0262937
DECAL:SIDE FENC
E:REAR

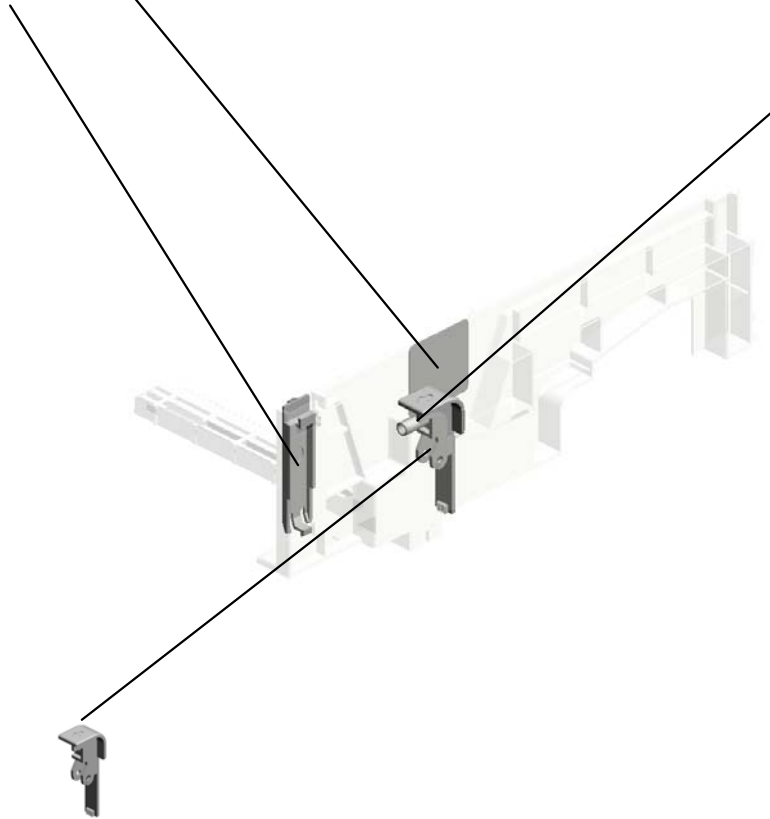


74.M0662597
SIDE FENCE:RIGH
T:ASS'Y

118.M0662873
PLATE:SIDE FENC
E:FRONT



102.M0662688
COMPRESSION SP
RING:LEVER:SIDE
FENCE

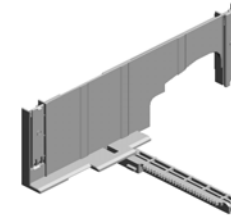


80.M0662615
LEVER:SIDE FENC
E:RIGHT

U001	U002	U003	U004	U005	U006	U007	U008	U009	U010	U011	U012	U013	U014	U015	U016	U017
------	------	------	------	------	------	------	------	------	------	------	------	------	------	------	------	------

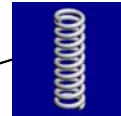
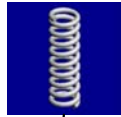
U004_S002_S002
SIDE FENCE:LEFT:ASS'Y

119.M0662874
COMPRESSION SP
RING:PLATE:SIDE
FENCE:REAR

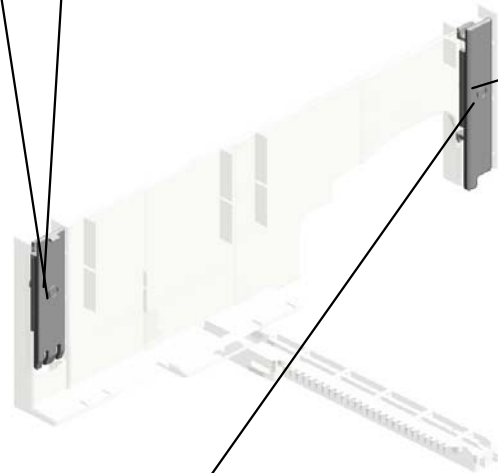


79.M0662613
SIDE FENCE:LEFT:
ASS'Y

118.M0662873
PLATE:SIDE FENC
E:FRONT



117.M0662869
COMPRESSION SP
RING:PLATE:SIDE
FENCE:FRONT

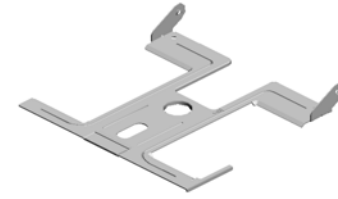


123.M0662879
PLATE:SIDE FENC
E:REAR

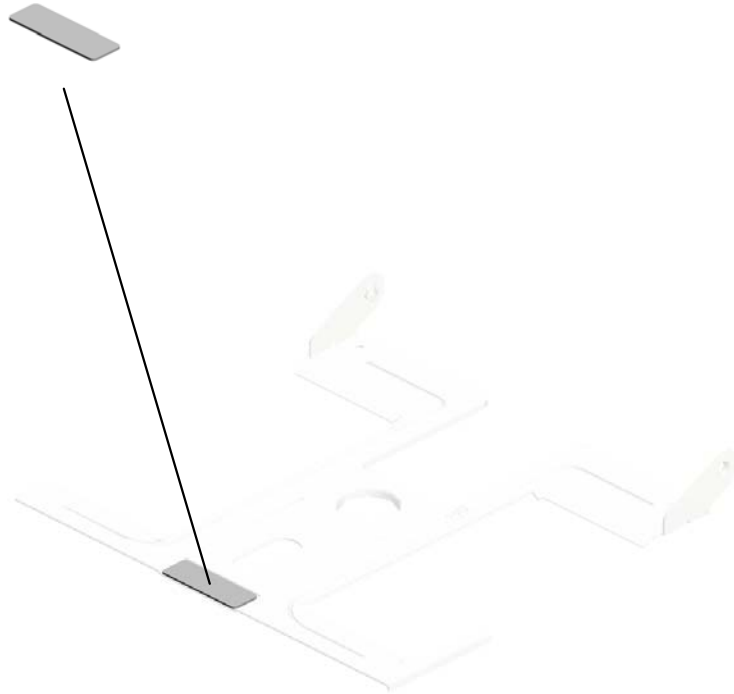
U001	U002	U003	U004	U005	U006	U007	U008	U009	U010	U011	U012	U013	U014	U015	U016	U017
------	------	------	------	------	------	------	------	------	------	------	------	------	------	------	------	------

U004_S002_S003
TRAY BOTTOM PLATE:ASS'Y

24.AF013006
BOTTOM PLATE P
AD

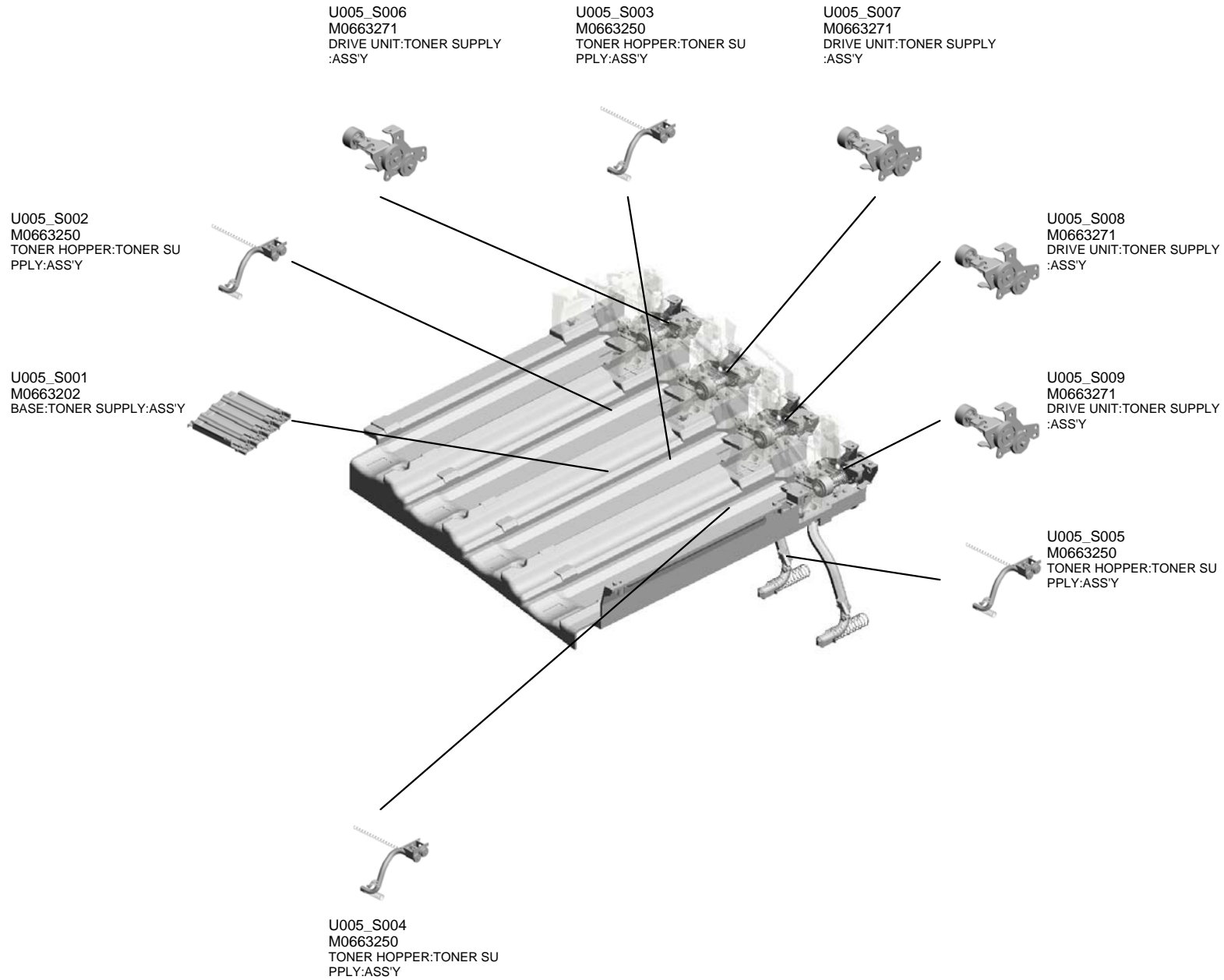


110.M0662856
TRAY BOTTOM PL
ATE:ASS'Y



U001	U002	U003	U004	U005	U006	U007	U008	U009	U010	U011	U012	U013	U014	U015	U016	U017
------	------	------	------	------	------	------	------	------	------	------	------	------	------	------	------	------

U005.DEVELOPMENT



U001	U002	U003	U004	U005	U006	U007	U008	U009	U010	U011	U012	U013	U014	U015	U016	U017
------	------	------	------	------	------	------	------	------	------	------	------	------	------	------	------	------

U005 DEVELOPMENT

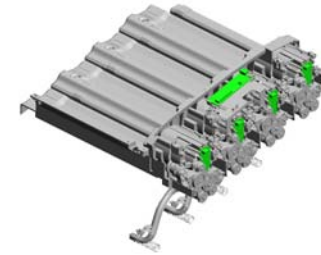
24.M0265168
PCB:RFID-AFE:Y

10.GA003232
DECAL:POSITIONI
NG:TONER SUPPL
Y:C

22.M0265158
PCB:RFID-AFE:M

6.11050516
(x3)
CLAMP

35.M0665150
PCB:RFID-CPU
201104-04 X/O



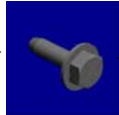
12.GA003234
DECAL:POSITIONI
NG:TONER SUPPL
Y:Y



11.GA003233
DECAL:POSITIONI
NG:TONER SUPPL
Y:M



4.08025319
(x22)
HEXAGON HEAD T
APPING SCREW: E
S:3X8



33.M0663340
GUIDE:TONER CA
RTRIDGE



3.04543008Q
(x7)
TAPPING SCREW:
3X8



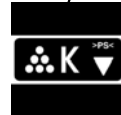
7.52062686
(x4)
SNAP RING



32.M0663294
GROUND PLATE:P
CB:RFID



9.GA003231
DECAL:POSITIONI
NG:TONER SUPPL
Y:K



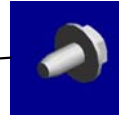
23.M0265166
PCB:RFID-AFE:C



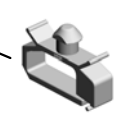
28.M0663232
(x4)
TORSION SPRING:
STOPPER:TONER
CARTRIDGE:LEFT



2.04513006N
(x4)
TAPPING SCREW -
3X6



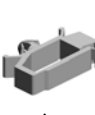
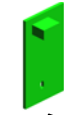
5.11050511
(x7)
HARNES CLAMP -
LWS-0306ZC



27.M0663231
(x4)
TORSION SPRING:
STOPPER:TONER
CARTRIDGE:RIGH
T



31.M0663293
BRACKET:PCB:RFI
D-CPU



U005_S001
 BASE:TONER SUPPLY:ASS'Y

15.GA003237
 DECAL:POSITIONI
 NG DISPLAY:TONE
 R SUPPLY:M

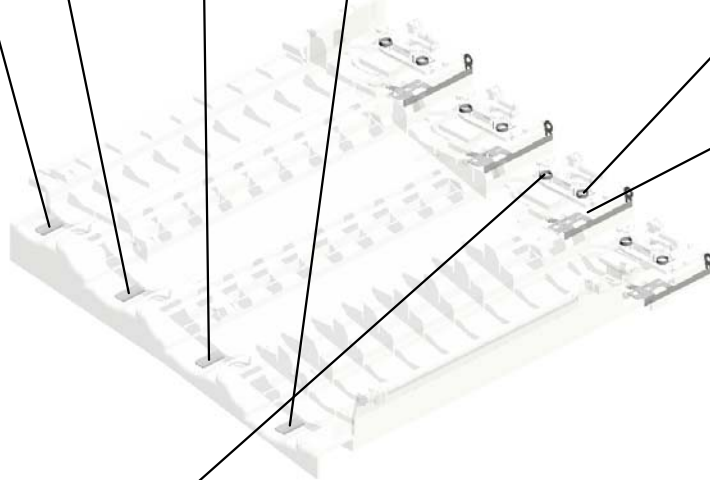
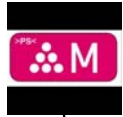
14.GA003236
 DECAL:POSITIONI
 NG DISPLAY:TONE
 R SUPPLY:C

13.GA003235
 DECAL:POSITIONI
 NG DISPLAY:TONE
 R SUPPLY:K



25.M0663202
 BASE:TONER SUP
 PLY:ASS'Y

16.GA003238
 DECAL:POSITIONI
 NG DISPLAY:TONE
 R SUPPLY:Y



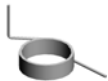
19.M0263343
 (x4)
 TORSION SPRING:
 STOPPER:RIGHT



26.M0663206
 (x4)
 GROUND PLATE:D
 RIVE:TONER SUPP
 LY



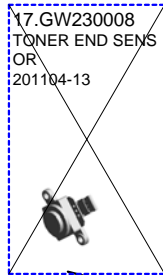
20.M0263344
 (x4)
 TORSION SPRING:
 STOPPER:LEFT



U001	U002	U003	U004	U005	U006	U007	U008	U009	U010	U011	U012	U013	U014	U015	U016	U017
------	------	------	------	------	------	------	------	------	------	------	------	------	------	------	------	------

U005_S002

TONER HOPPER:TONER SUPPLY:ASS'Y

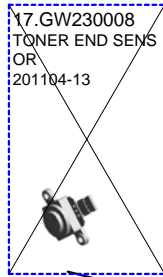


29.M0663250
TONER HOPPER:T
ONER SUPPLY:AS
SY

U001	U002	U003	U004	U005	U006	U007	U008	U009	U010	U011	U012	U013	U014	U015	U016	U017
------	------	------	------	-------------	------	------	------	------	------	------	------	------	------	------	------	------

U005_S003

TONER HOPPER:TONER SUPPLY:ASS'Y

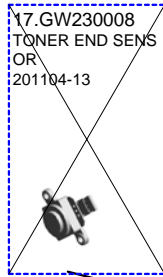


29.M0663250
TONER HOPPER:T
ONER SUPPLY:AS
SY

U001	U002	U003	U004	U005	U006	U007	U008	U009	U010	U011	U012	U013	U014	U015	U016	U017
------	------	------	------	-------------	------	------	------	------	------	------	------	------	------	------	------	------

U005_S004

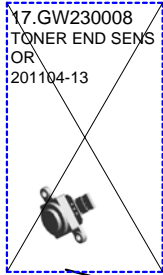
TONER HOPPER:TONER SUPPLY:ASS'Y



29.M0663250
TONER HOPPER:T
ONER SUPPLY:AS
SY

U001	U002	U003	U004	U005	U006	U007	U008	U009	U010	U011	U012	U013	U014	U015	U016	U017
------	------	------	------	------	------	------	------	------	------	------	------	------	------	------	------	------

U005_S005
TONER HOPPER:TONER SUPPLY:ASS'Y

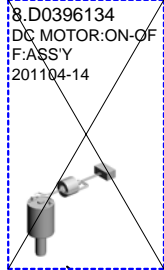


29.M0663250
TONER HOPPER:T
ONER SUPPLY:AS
SY

U001	U002	U003	U004	U005	U006	U007	U008	U009	U010	U011	U012	U013	U014	U015	U016	U017
------	------	------	------	-------------	------	------	------	------	------	------	------	------	------	------	------	------

U005_S006
 DRIVE UNIT:TONER SUPPLY:ASS'Y

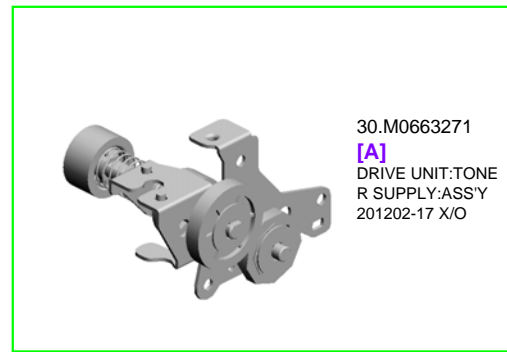
18.M0263323
 (x2)
 COLLAR:TONER S
 UPPLY



~~8.D0396134
 DC MOTOR:ON-OFF
 F:ASS'Y
 201104-14~~



1.03530030N
 (x2)
 SCREW:M3X3



30.M0663271
 [A]
 DRIVE UNIT:TONER
 SUPPLY:ASS'Y
 201202-17 X/O

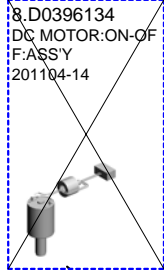


M0663270
 [A]
 DRIVE UNIT:TONER
 SUPPLY
 201202-17 X/O

U001	U002	U003	U004	U005	U006	U007	U008	U009	U010	U011	U012	U013	U014	U015	U016	U017
------	------	------	------	------	------	------	------	------	------	------	------	------	------	------	------	------

U005_S007
 DRIVE UNIT:TONER SUPPLY:ASS'Y

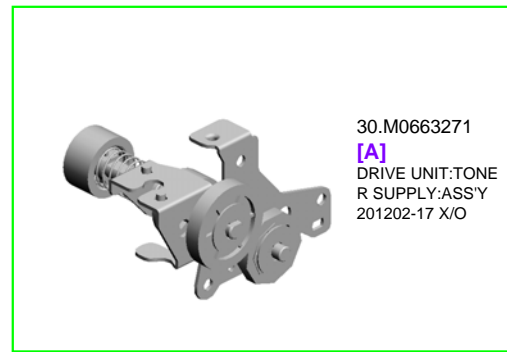
18.M0263323
 (x2)
 COLLAR:TONER S
 UPPLY



~~8.D0396134
 DC MOTOR:ON-OFF
 F:ASS'Y
 201104-14~~



1.03530030N
 (x2)
 SCREW:M3X3



30.M0663271
 [A]
 DRIVE UNIT:TONE
 R SUPPLY:ASS'Y
 201202-17 X/O

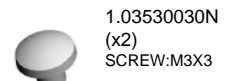
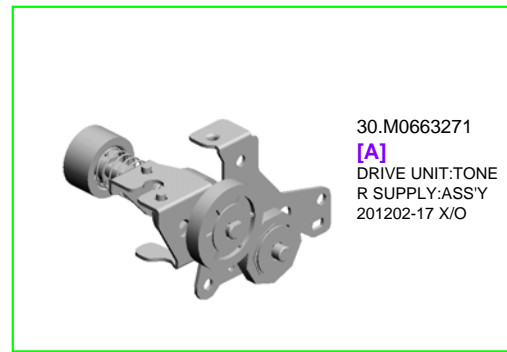
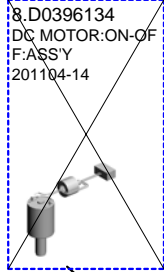


M0663270
 [A]
 DRIVE UNIT:TONE
 R SUPPLY
 201202-17 X/O

U001	U002	U003	U004	U005	U006	U007	U008	U009	U010	U011	U012	U013	U014	U015	U016	U017
------	------	------	------	------	------	------	------	------	------	------	------	------	------	------	------	------

U005_S008
DRIVE UNIT:TONER SUPPLY:ASS'Y

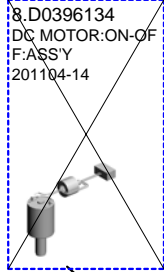
18.M0263323
(x2)
COLLAR:TONER S
UPPLY



U001	U002	U003	U004	U005	U006	U007	U008	U009	U010	U011	U012	U013	U014	U015	U016	U017
------	------	------	------	------	------	------	------	------	------	------	------	------	------	------	------	------

U005_S009
 DRIVE UNIT:TONER SUPPLY:ASS'Y

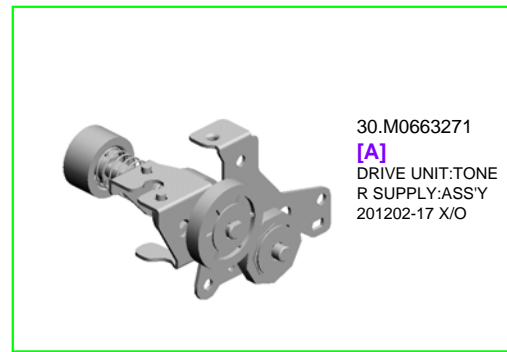
18.M0263323
 (x2)
 COLLAR:TONER S
 UPPLY



~~8.D0396134
 DC MOTOR:ON-OFF
 F:ASS'Y
 201104-14~~



1.03530030N
 (x2)
 SCREW:M3X3



30.M0663271
 [A]
 DRIVE UNIT:TONE
 R SUPPLY:ASS'Y
 201202-17 X/O



M0663270
 [A]
 DRIVE UNIT:TONE
 R SUPPLY
 201202-17 X/O

U001	U002	U003	U004	U005	U006	U007	U008	U009	U010	U011	U012	U013	U014	U015	U016	U017
------	------	------	------	------	------	------	------	------	------	------	------	------	------	------	------	------

U006
PCU

4.M0662015
PCU:ZEUS-P1:C:S
UPPLY:ASS'Y
201108-01 O/O

5.M0662016
PCU:ZEUS-P1:M:S
UPPLY:ASS'Y
201108-02 O/O

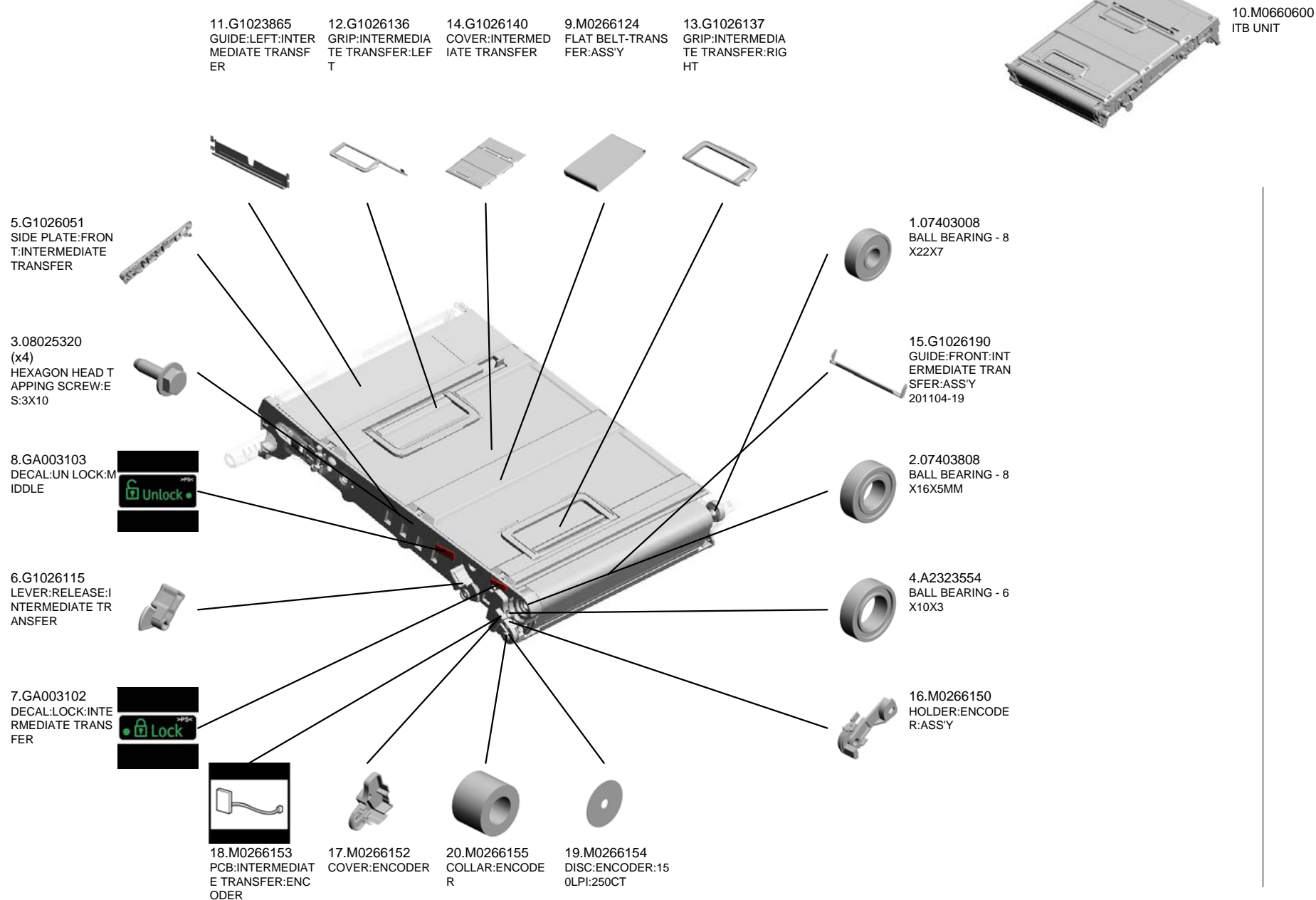


6.M0662017
PCU:ZEUS-P1:Y:S
UPPLY:ASS'Y
201108-03 O/O



U001	U002	U003	U004	U005	U006	U007	U008	U009	U010	U011	U012	U013	U014	U015	U016	U017
------	------	------	------	------	-------------	------	------	------	------	------	------	------	------	------	------	------

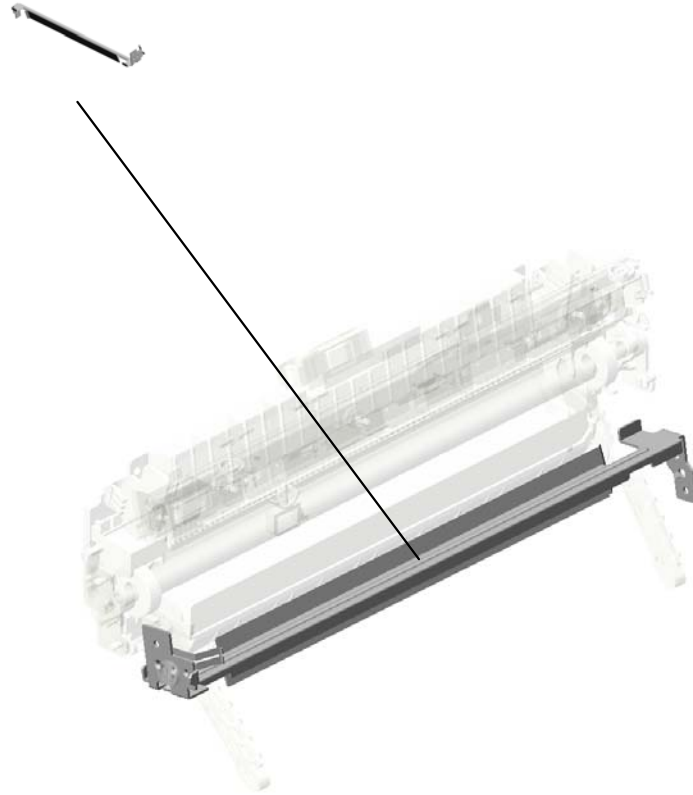
U007 ITB UNIT



U001	U002	U003	U004	U005	U006	U007	U008	U009	U010	U011	U012	U013	U014	U015	U016	U017
------	------	------	------	------	------	------	------	------	------	------	------	------	------	------	------	------

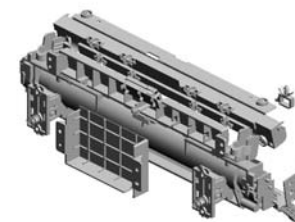
U008.PAPER TRANSFER

U008_S001
M0266302
RAIL:MAIN:ASS'Y



U001	U002	U003	U004	U005	U006	U007	U008	U009	U010	U011	U012	U013	U014	U015	U016	U017
------	------	------	------	------	------	------	-------------	------	------	------	------	------	------	------	------	------

U008 PAPER TRANSFER



8.G1024661
COVER:FUSING:ENTRANCE SENSOR

6.AW010118
PAPER FEED SENSOR

14.G1026341
SHEET:SENSOR

13.G1026335
COVER:DENSITY SENSOR

20.M0266329
SHUTTER:DENSITY SENSOR

17.M0266294
GUIDE PLATE:TRANSFER ROLLER:UPPER

7.B0042310
(x8)
SPUR

2.04543006Q
(x6)
TAPPING SCREW - M3X6

9.G1026292
(x2)
LEVER:PRESSURE:TRANSFER UNIT

10.G1026293
(x2)
SPRING:TRANSFER UNIT:LEFT

1.04513006N
(x2)
TAPPING SCREW - 3X6

4.08050089
(x2)
RETAINING RING - M4

5.11050713
CLAMP:LWSM-030 6H GRAY

16.M0266291
(x2)
COVER:POWER PACK:TRANSFER UNIT

21.M0266332
INSULATING SHEET:DENSITY SENSOR

12.G1026334
TENSION SPRING:CLEANER:DENSITY SENSOR

3.08025305
(x4)
TAPPING SCREW - M3X6

15.M0266290
(x2)
HOLDER:LEVER:PRESSURE:TRANSFER

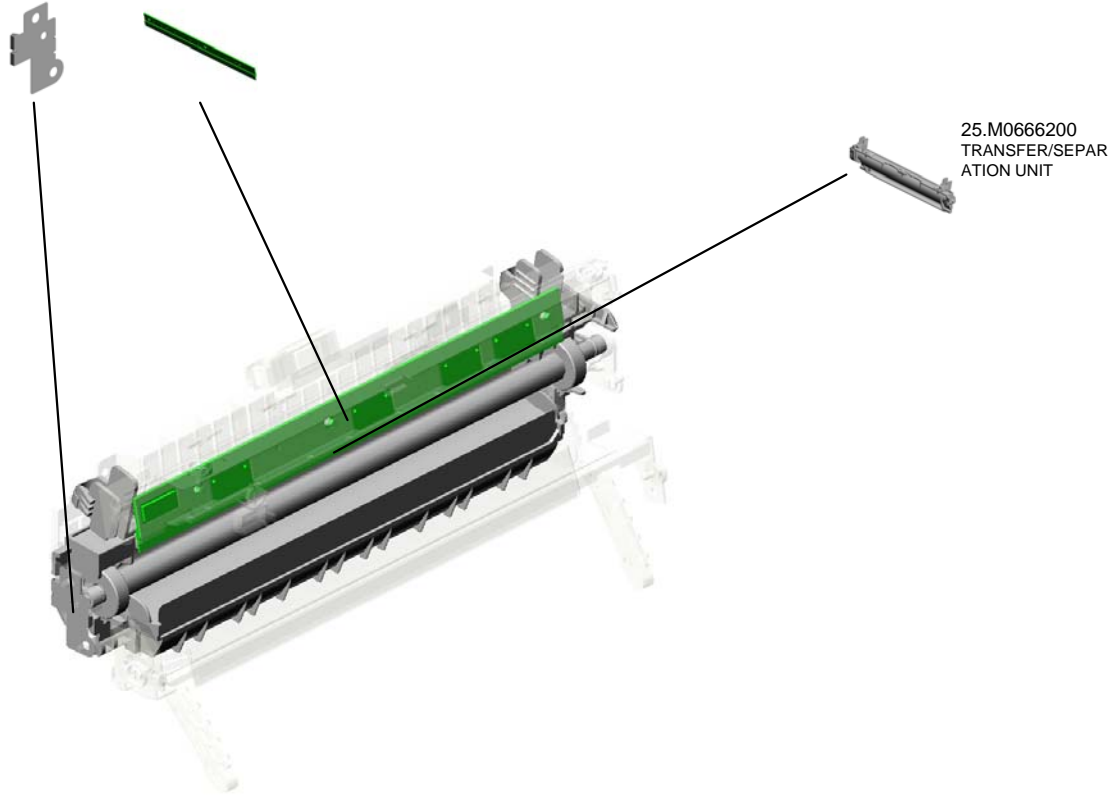
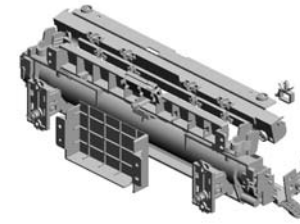
22.M0266333
HOLDER:DENSITY SENSOR

18.M0266301
(x2)
LEVER:ON-OFF:TRANSFER UNIT

U008 PAPER TRANSFER

24.M0266356
GROUND PLATE:T
RANSFER:SECON
D

26.M0266166
DENSITY SENSOR:
ASS'Y
201104-37

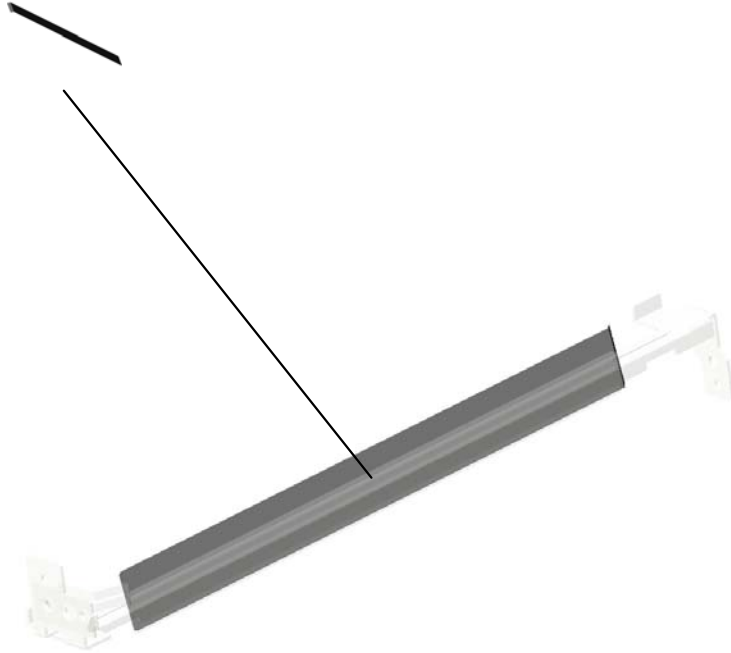


25.M0666200
TRANSFER/SEPAR
ATION UNIT

U001	U002	U003	U004	U005	U006	U007	U008	U009	U010	U011	U012	U013	U014	U015	U016	U017
------	------	------	------	------	------	------	-------------	------	------	------	------	------	------	------	------	------

U008_S001
RAIL:MAIN:ASS'Y

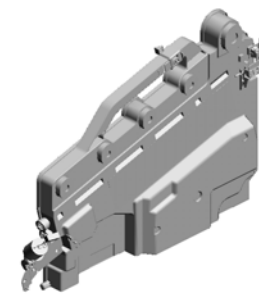
11.G1026307
GUIDE:TRANSFER
ROLLER:ENTRANC
E



19.M0266302
RAIL:MAIN:ASS'Y

U001	U002	U003	U004	U005	U006	U007	U008	U009	U010	U011	U012	U013	U014	U015	U016	U017
------	------	------	------	------	------	------	-------------	------	------	------	------	------	------	------	------	------

U009 USED TONER



- 10.M0266485 DC MOTOR:2.64W
- 5.11050723 CLAMPS:WES-0507
- 1.03530030N (x2) SCREW:M3X3
- 11.M0666483 SHAFT:GEAR:IDLER:COLLECTION BOTTL

4.11050692
CLAMP:LES-0503

13.M0666490
BRACKET:DRIVE:COLLECTION BOTTLE

3.07200040E
RETAINING RING - M4

9.M0266482
GEAR:IDLER:DC MOTOR:30Z

12.M0666484
COLLAR:IDLER:COLLECTION BOTTLE

8.M0266481
GEAR:IDLER:COLLECTION BOTTLE:20Z

14.GA152022 (x4)
ENTRANCE SEAL:COLLECTION BOTTLE:PCU:ASSY

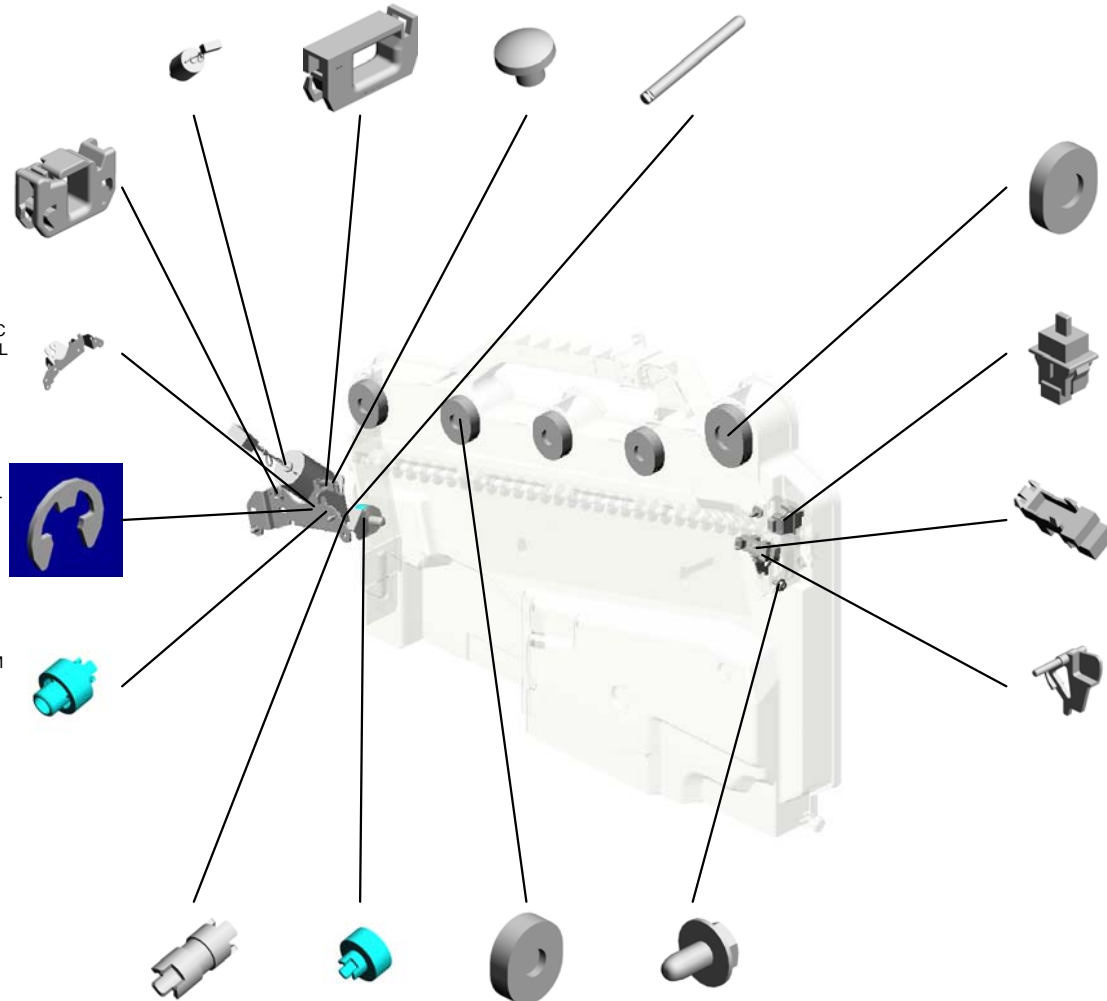
2.04543006Q (x4)
TAPPING SCREW - M3X6

16.M0266467
ENTRANCE SEAL:COLLECTION BOTTLE:INTERMEDIATE TRANSFER:ASSY

7.AW500023
PUSH SWITCH

6.AW020145
PHOTOINTERRUPTOR:FLAT

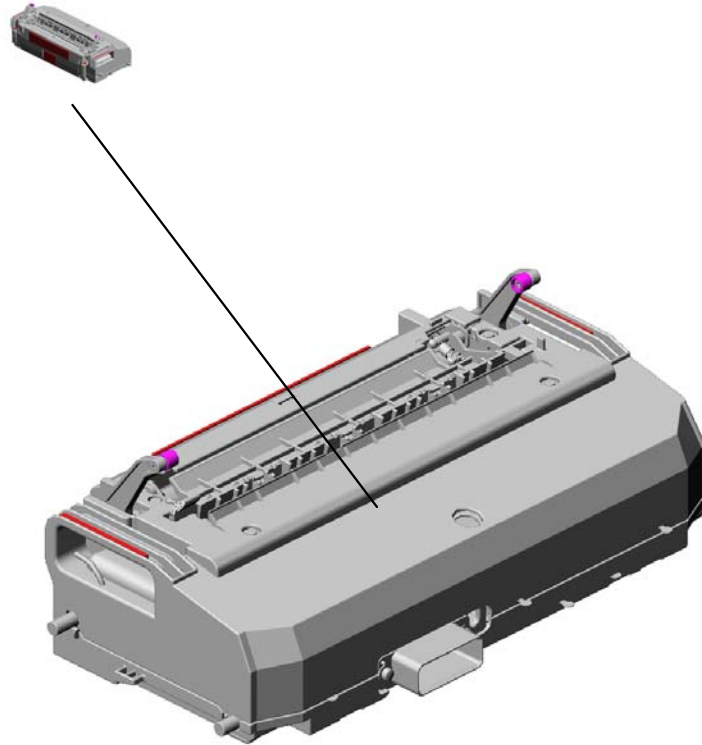
15.M0266463
FEELER:USED TO SENSOR



U001	U002	U003	U004	U005	U006	U007	U008	U009	U010	U011	U012	U013	U014	U015	U016	U017
------	------	------	------	------	------	------	------	------	------	------	------	------	------	------	------	------

U010.FUSING

U010_S001
M0664012
FUSING UNIT:EU:MAINTENA
NCE:ASS'Y



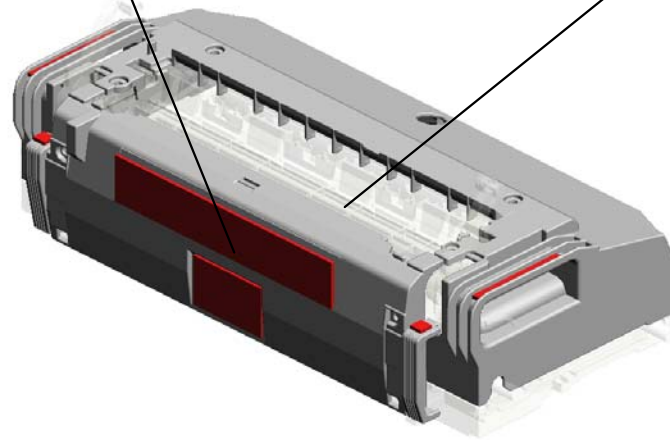
U001	U002	U003	U004	U005	U006	U007	U008	U009	U010	U011	U012	U013	U014	U015	U016	U017
------	------	------	------	------	------	------	------	------	------	------	------	------	------	------	------	------

U010_S001.FUSING UNIT:EU:MAINTENANCE:ASS'Y

U010_S001_S001
M0664295
FUSING COVER:RIGHT:ASS'
Y

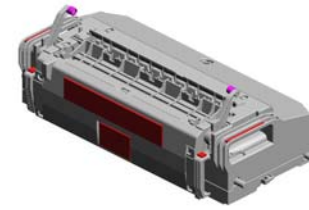


U010_S001_S002
M0664282
FUSING COVER:UPPER:ASS'
Y



U001	U002	U003	U004	U005	U006	U007	U008	U009	U010	U011	U012	U013	U014	U015	U016	U017
------	------	------	------	------	------	------	------	------	------	------	------	------	------	------	------	------

U010
FUSING



U001	U002	U003	U004	U005	U006	U007	U008	U009	U010	U011	U012	U013	U014	U015	U016	U017
------	------	------	------	------	------	------	------	------	------	------	------	------	------	------	------	------

U010_S001
FUSING UNIT:EU:MAINTENANCE:ASS'Y

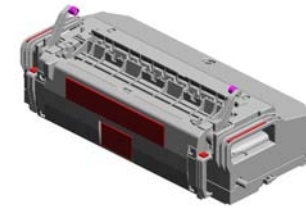
7.07330408
(x2)
BUSHING:4X8

19.AA143792
(x2)
SCREW:DRAWER

15.AA061035
(x2)
COIL SPRING:PRE
SSURE:55N

17.AA063461
(x2)
COMPRESSION SP
RING:BELT TENSIO
NER

5.07250200E
(x2)
RETAINING RING
C - M20



78.M0664012
FUSING UNIT:EU:M
AINTENANCE:ASS'
Y
201104-31

1.07200030E
(x4)
RETAINING RING -
M3



16.AA063460
(x2)
COMPRESSION SP
RING:OIL SUPPLY
ROLLER



4.07250170E
(x2)
RETAINING RING
C - M17



13.11050551
(x2)
CLAMP:LES-0505



20.AA143867
(x11)
SCREW:DIA4:M3



10.08046127
(x36)
HEXAGONAL BOLT
:DOUBLE SCREW:
M3X8



12.09543010N
SCREW:POLISHED
ROUND/SPRING:M
3X10



14.AA060989
(x2)
SPRING:FUSING E
XIT:PRESSURE



18.AA143593
(x2)
SCREW:M4X4



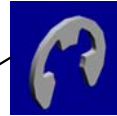
3.07250120E
(x2)
RETAINING RING
C - M12



9.08010237
(x2)
HEXAGONAL BOLT
:DOUBLE SCREW:
M4X12



2.07200040E
(x2)
RETAINING RING -
M4



11.08046128
HEXAGONAL BOLT
:DOUBLE SCREW:
M3X10



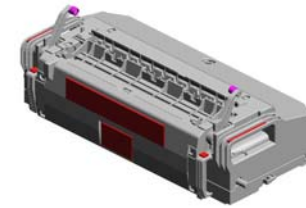
8.08010236
(x2)
HEXAGONAL BOLT
:DOUBLE SCREW:
M4X8



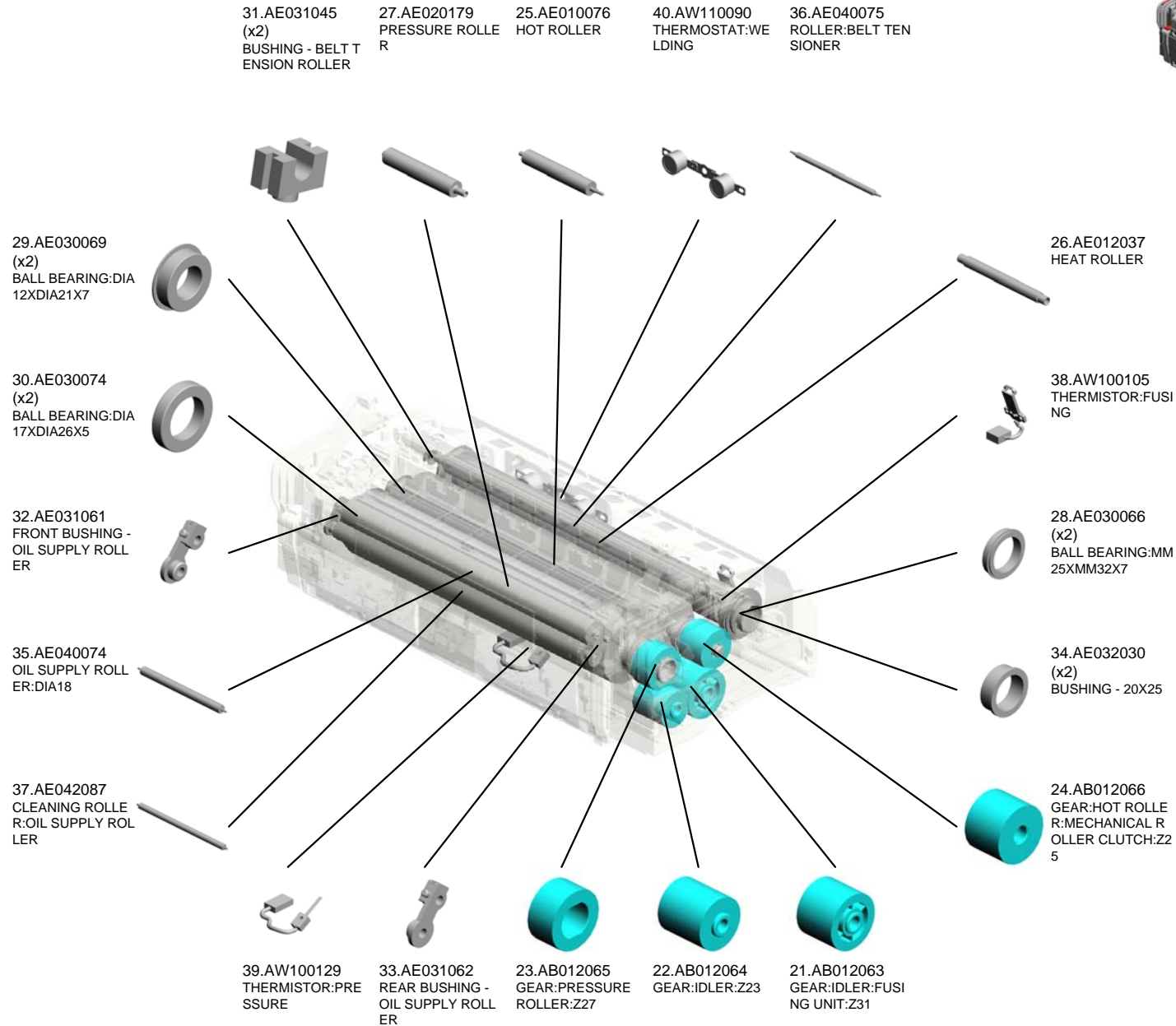
6.07270080E
RETAINING RING -
M8



U010_S001 FUSING UNIT:EU:MAINTENANCE:ASS'Y



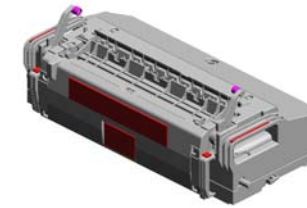
78.M0664012
FUSING UNIT:EU:M
AINTENANCE:ASS'
Y
201104-31



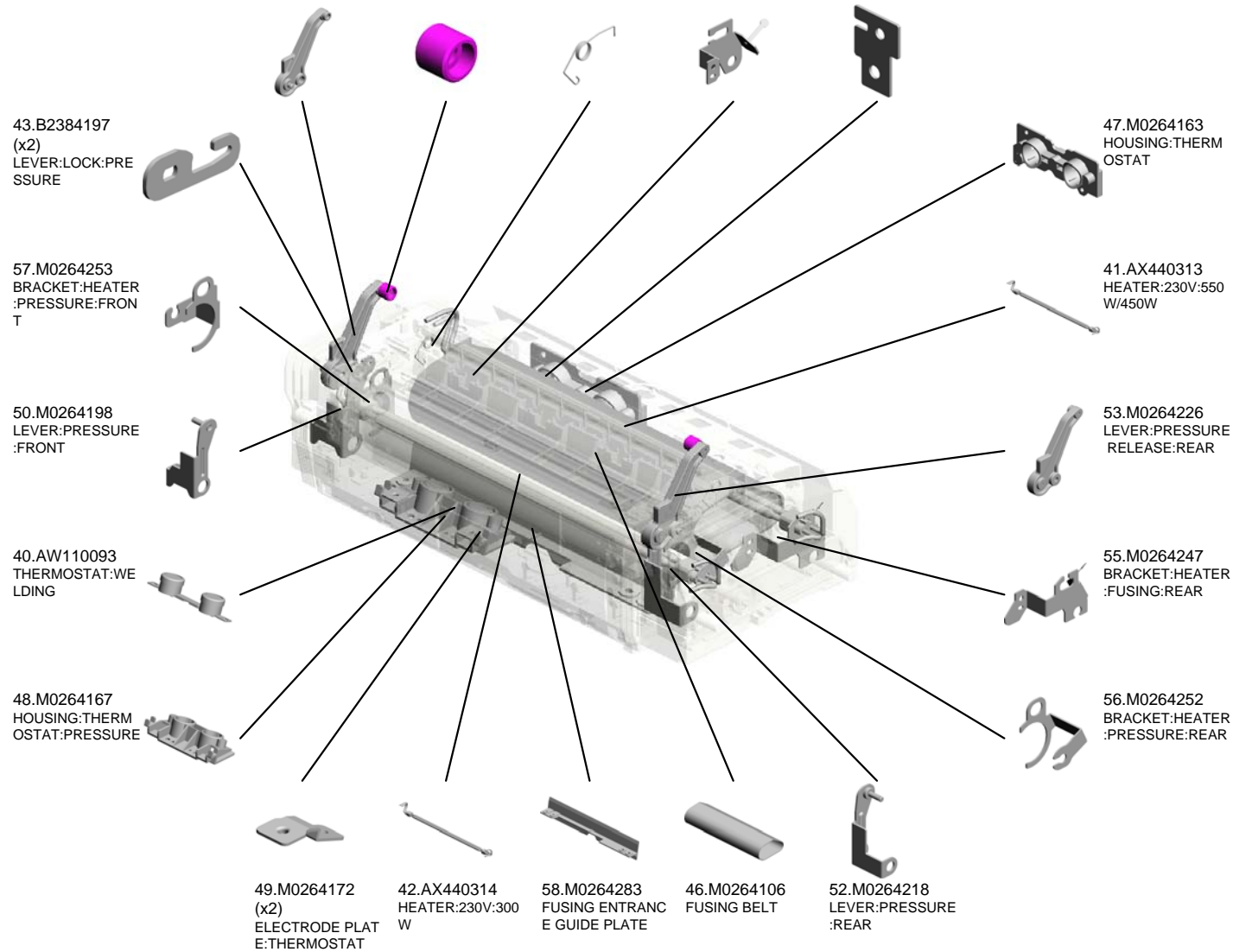
U001	U002	U003	U004	U005	U006	U007	U008	U009	U010	U011	U012	U013	U014	U015	U016	U017
------	------	------	------	------	------	------	------	------	------	------	------	------	------	------	------	------

U010_S001
FUSING UNIT:EU:MAINTENANCE:ASS'Y

- 51.M0264206 LEVER:PRESSURE RELEASE:FRONT
- 44.G1024203 (x2) ROLLER:LEVER:PRESSURE
- 45.M0264041 (x2) TORSION SPRING:STRIPPER PLATE
- 54.M0264245 BRACKET:HEATER:FUSING:FRONT
- 49.M0264352 ELECTRODE PLATE:THERMOSTAT



78.M0664012
FUSING UNIT:EU:MAINTENANCE:ASS'Y
201104-31

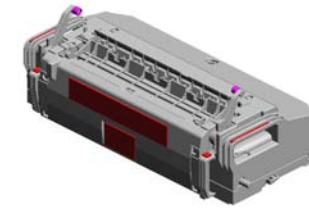


U010_S001
 FUSING UNIT:EU:MAINTENANCE:ASS'Y

70.M0264359
 TERMINAL:PRES
 URE

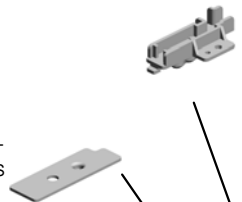
60.M0264291
 GUIDE PLATE:FUSI
 NG EXIT:ASS'Y

64.M0264312
 STRIPPER PLATE:
 COAT



78.M0664012
 FUSING UNIT:EU:M
 AINTENANCE:ASS'
 Y
 201104-31

67.M0264338
 ELECTRODE PLAT
 E:TERMINAL:PRES
 SURE



68.M0264354
 BRACKET:TERMIN
 AL:PRESSURE



65.M0264336
 ELECTRODE PLAT
 E:REAR:M3



66.M0264337
 ELECTRODE PLAT
 E:REAR:M4



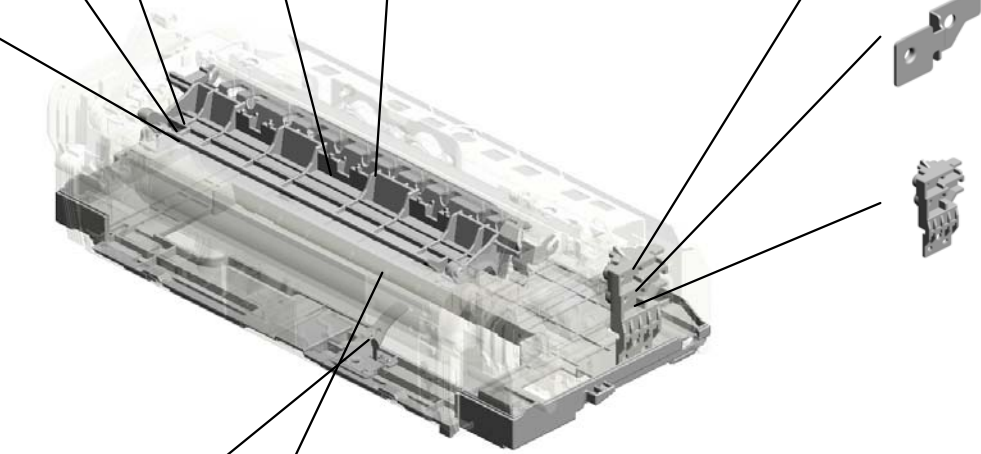
69.M0264357
 TERMINAL:REAR



63.M0264308
 BRACKET:THERMI
 STOR:PRESSURE:
 ASS'Y



59.M0264287
 FUSING COVER:L
 OWER



U001	U002	U003	U004	U005	U006	U007	U008	U009	U010	U011	U012	U013	U014	U015	U016	U017
------	------	------	------	------	------	------	------	------	------	------	------	------	------	------	------	------

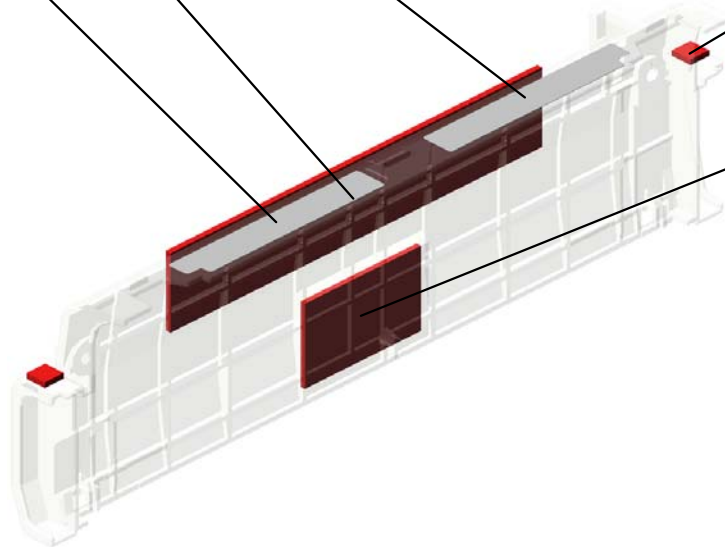
U010_S001_S001
 FUSING COVER:RIGHT:ASS'Y

73.M0664392 61.M0264296
 DECAL:PICK-UP P DECAL:H-TEMP W
 APER JAM:FUSING ARNING:FUSING:1

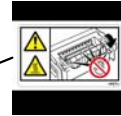


72.M0664295
 FUSING COVER:RI
 GHT:ASS'Y

62.M0264297
 DECAL:H-TEMP W
 ARNING:FUSING:2



77.M0664396
 (x2)
 DECAL:DESIGN SK
 ETCH:PULL OUT:F
 USING UNIT

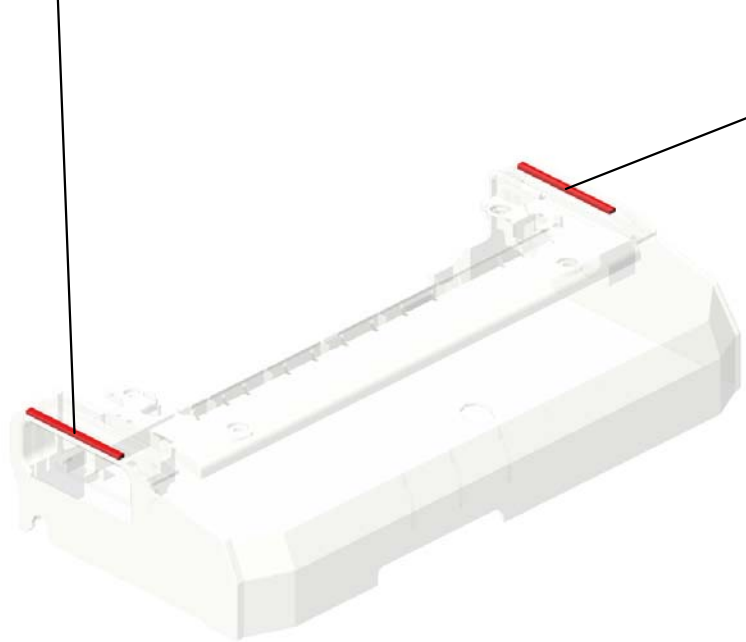


74.M0664393
 DECAL:H-TEMP W
 ARNING:FUSING:3

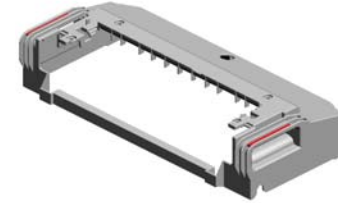
U001	U002	U003	U004	U005	U006	U007	U008	U009	U010	U011	U012	U013	U014	U015	U016	U017
------	------	------	------	------	------	------	------	------	------	------	------	------	------	------	------	------

U010_S001_S002
FUSING COVER:UPPER:ASS'Y

76.M0664395
DECAL:GRIP:FUSI
NG UNIT:RIGHT



75.M0664394
DECAL:GRIP:FUSI
NG UNIT:LEFT

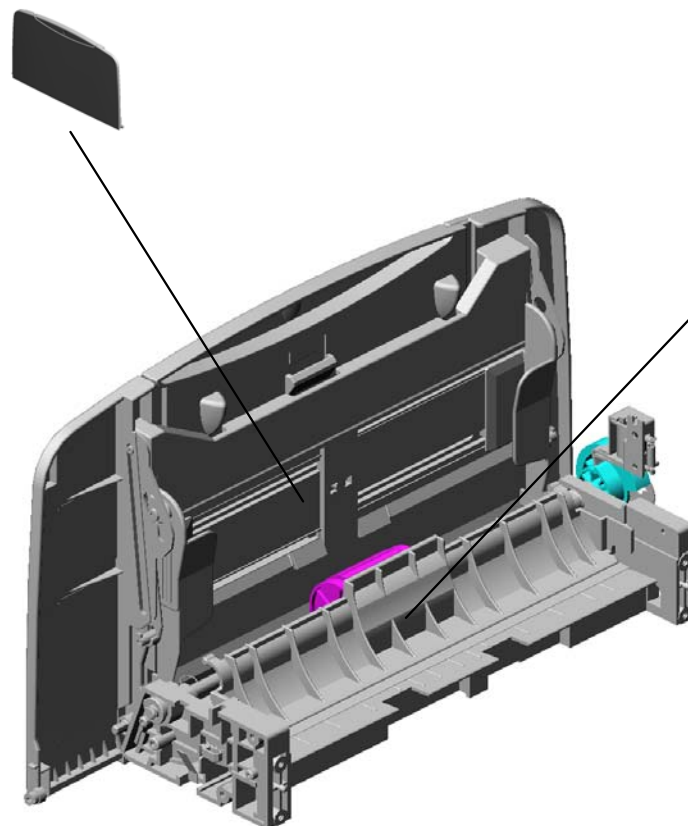


71.M0664282
FUSING COVER:U
PPER:ASS'Y

U001	U002	U003	U004	U005	U006	U007	U008	U009	U010	U011	U012	U013	U014	U015	U016	U017
------	------	------	------	------	------	------	------	------	------	------	------	------	------	------	------	------

U011.BY-PASS FEED

U011_S002
M0662708
MANUAL FEED TABLE ASS'Y



U011_S001
M0662709
MANUAL FEED UNIT

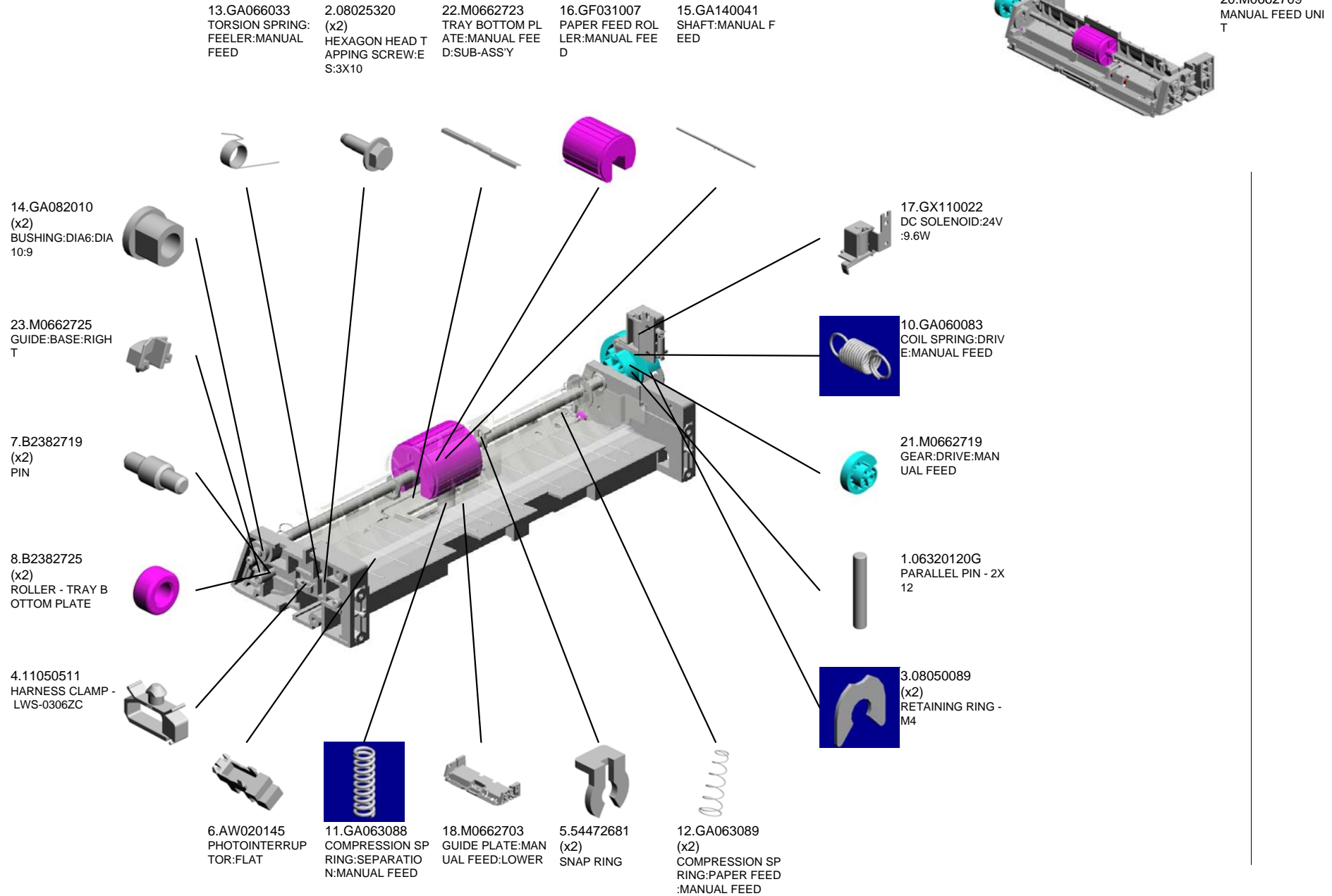
U001	U002	U003	U004	U005	U006	U007	U008	U009	U010	U011	U012	U013	U014	U015	U016	U017
------	------	------	------	------	------	------	------	------	------	------	------	------	------	------	------	------

U011
BY-PASS FEED



U001	U002	U003	U004	U005	U006	U007	U008	U009	U010	U011	U012	U013	U014	U015	U016	U017
------	------	------	------	------	------	------	------	------	------	------	------	------	------	------	------	------

U011_S001 MANUAL FEED UNIT

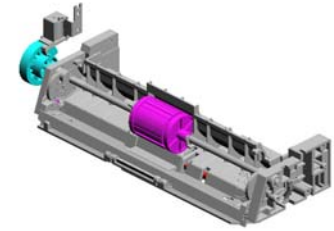


U001	U002	U003	U004	U005	U006	U007	U008	U009	U010	U011	U012	U013	U014	U015	U016	U017
------	------	------	------	------	------	------	------	------	------	------	------	------	------	------	------	------

U011_S001 MANUAL FEED UNIT

39.M0662778
FEELER:PAPER E
ND:MANUAL FEED

42.M0662784
(x2)
ROLLER:GUIDE:M
ANUAL FEED

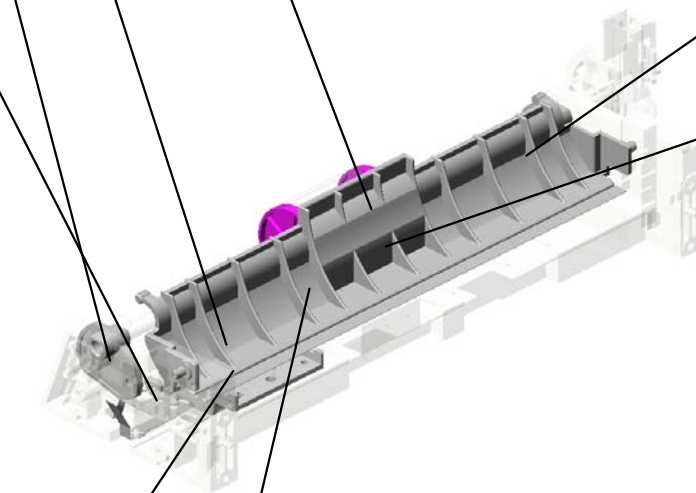


20.M0662709
MANUAL FEED UNI
T

41.M0662783
(x2)
CAM:MANUAL FEE
D



37.M0662772
GROUND PLATE:M
ANUAL FEED



24.M0662726
GUIDE:BASE:LEFT



38.M0662773
GUIDE PLATE:MAN
UAL FEED:UPPER:
ASSY



40.M0662779
HOLDER:FEELER:
MANUAL FEED

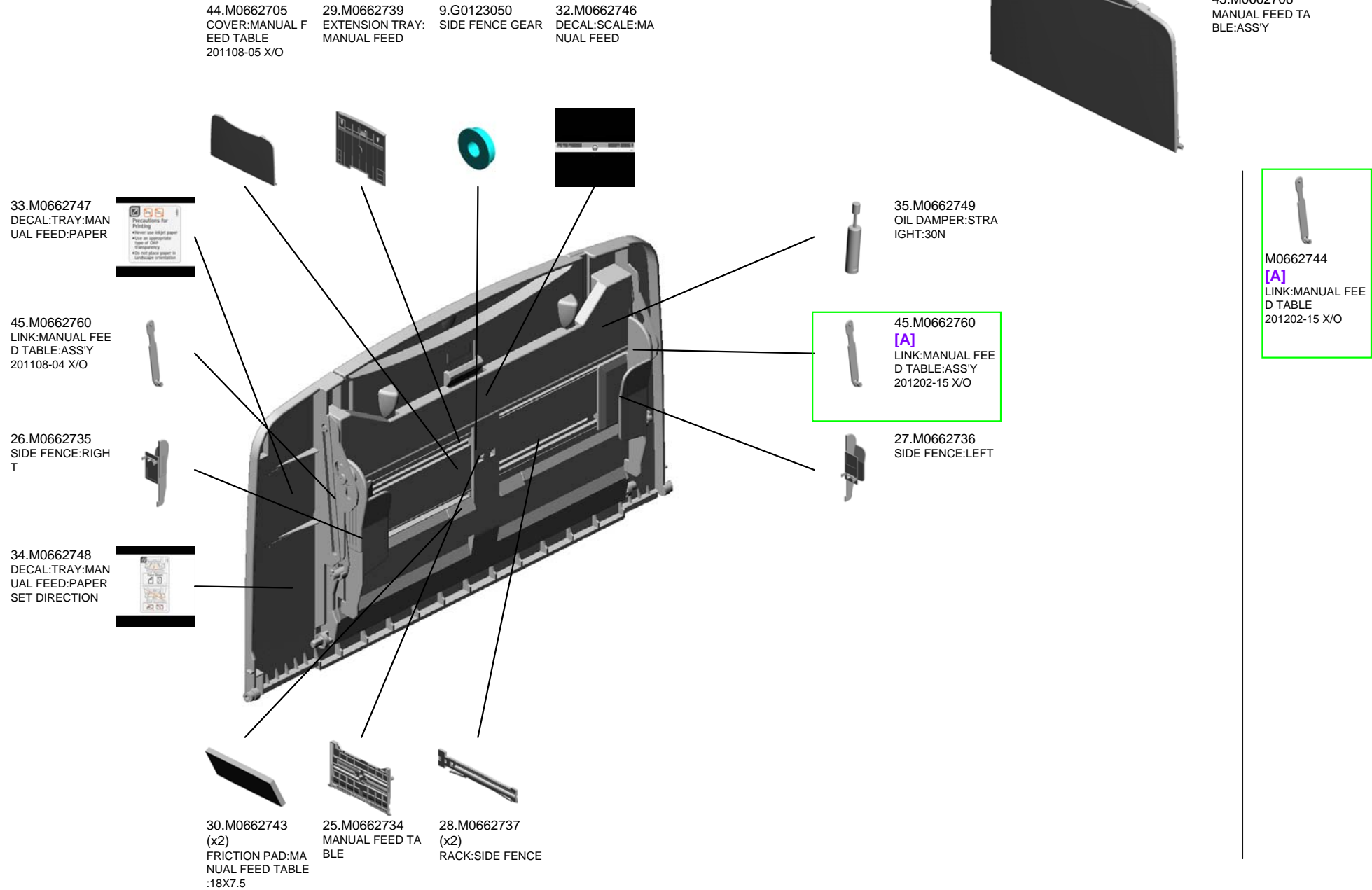


36.M0662771
HOLDER:MANUAL
FEED:ASSY



U001	U002	U003	U004	U005	U006	U007	U008	U009	U010	U011	U012	U013	U014	U015	U016	U017
------	------	------	------	------	------	------	------	------	------	------	------	------	------	------	------	------

U011_S002
MANUAL FEED TABLE:ASS'Y



U012 DUPLEX



- 14.AA082118 (x8) BUSHING - M6
- 13.AA001532 PLATE:LOGO:RIC
- 17.AX640194 (x2) FAN MOTOR - DC 2 .16W
- 6.08050089 (x5) RETAINING RING - M4
- 1.03603006N (x8) SCREW - M3X6

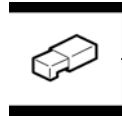
10.11050723 (x2) CLAMPS:WES-0507



3.07200060E RETAINING RING - M6



15.AG071007 LATCH - BY PASS FEED TABLE



12.A2324666 CUSHION - STEPPER MOTOR



2.04543006Q (x18) TAPPING SCREW - M3X6



7.11050508 (x4) HARNESS CLAMP - LWS-0711



9.11050516 (x3) CLAMP



4.08010236 HEXAGONAL BOLT :DOUBLE SCREW: M4X8



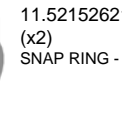
20.B3004566 (x3) ROLLER TENSION



16.AW010107 (x2) PAPER FEED SENSOR



11.52152621 (x2) SNAP RING - M6



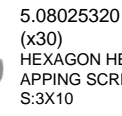
18.AZ300131 POWER PACK:D



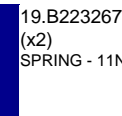
8.11050511 (x10) HARNESS CLAMP - LWS-0306ZC



5.08025320 (x30) HEXAGON HEAD TAPPING SCREW:ES:3X10

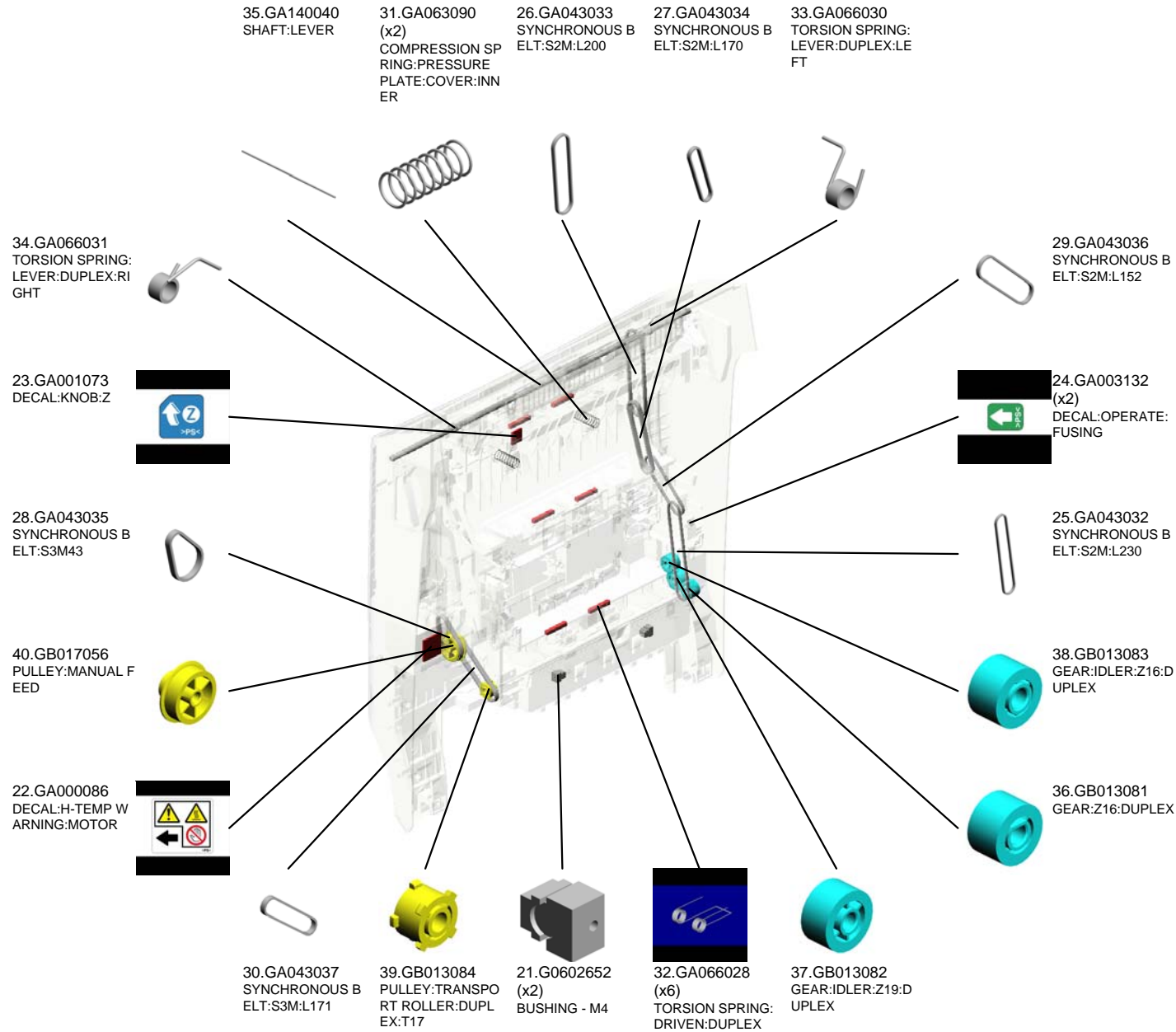


19.B2232676 (x2) SPRING - 11N



U001	U002	U003	U004	U005	U006	U007	U008	U009	U010	U011	U012	U013	U014	U015	U016	U017
------	------	------	------	------	------	------	------	------	------	------	------	------	------	------	------	------

U012 DUPLEX



U001	U002	U003	U004	U005	U006	U007	U008	U009	U010	U011	U012	U013	U014	U015	U016	U017
------	------	------	------	------	------	------	------	------	------	------	------	------	------	------	------	------

U012 DUPLEX



56.M0664606
(x2)
PRESSURE PLATE
:COVER:INNER

60.M0664664
(x2)
SEAL:DUPLEX:DU
CT

58.M0664661
DUCT:EXIT:LEFT

48.M0266365
DECAL:WARNING (HIGH VOLTAGE)

46.M0264585
(x2)
PULLEY:TRANSP
ORT ROLLER:DUPL
EX:T26

42.GF020056
(x2)
TRANSPORT ROLL
ER:DUPL

59.M0664663
DUCT:EXIT:RIGHT

53.M0664600
COVER:INNER

57.M0664650
COVER:OUTER

50.M0662751
DECAL:MANUAL F
EED:CAUTION:SET

43.GF020057
TRANSPORT ROLL
ER:DUPL:EXIT

51.M0662867
GUIDE PLATE:VER
TICAL TRANSPOR
T

52.M0662881
(x2)
SHEET:OPPOSED:
PHOTO REFLECTIO
N SENSOR

45.M0262658
SHAFT:DRIVEN:VE
RTICAL TRANSPOR
T

49.M0662678
GUIDE:VERTICAL
TRANSPORT

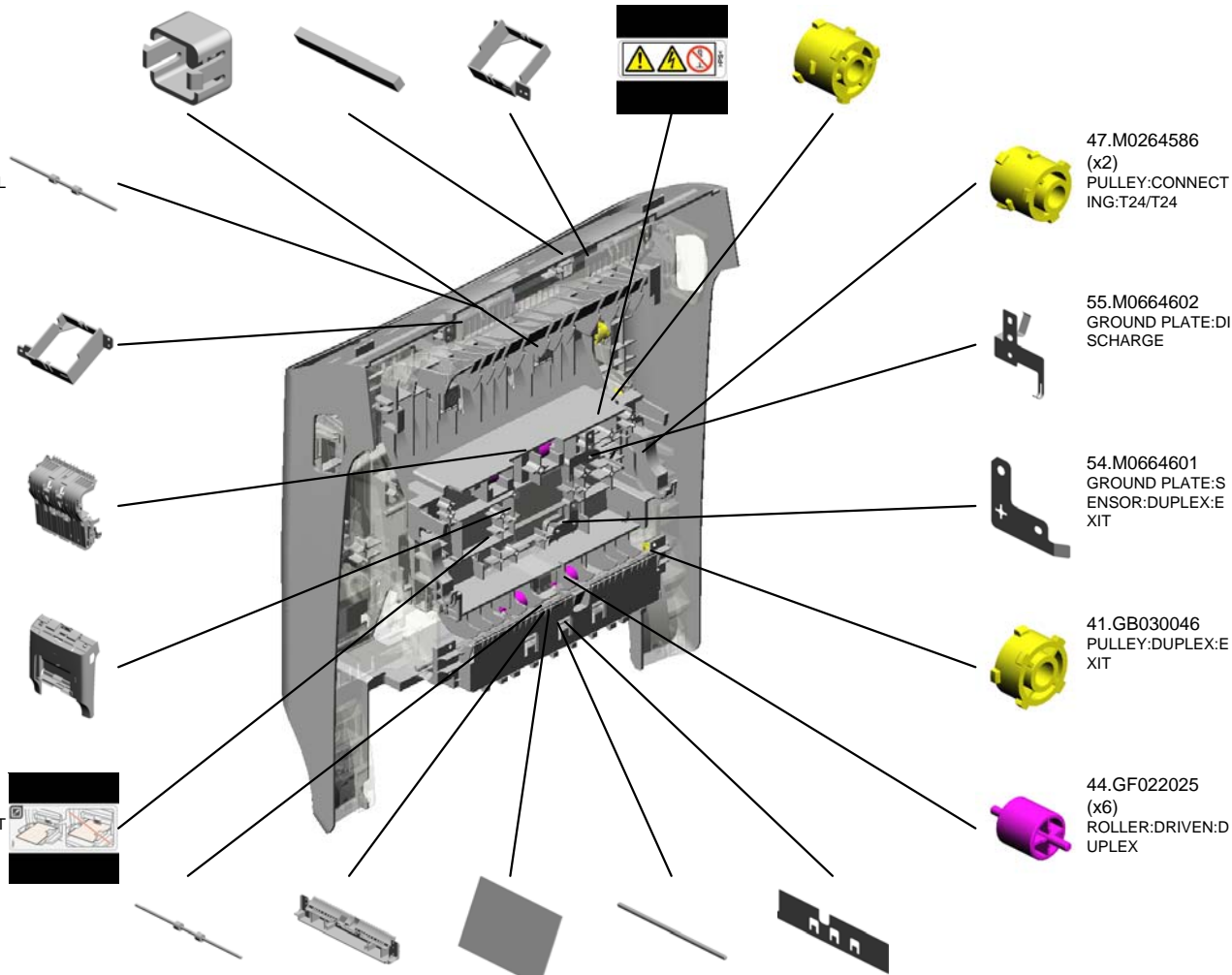
47.M0264586
(x2)
PULLEY:CONNECT
ING:T24/T24

55.M0664602
GROUND PLATE:DI
SCHARGE

54.M0664601
GROUND PLATE:S
ENSOR:DUPL:EX
IT

41.GB030046
PULLEY:DUPL:EX
IT

44.GF022025
(x6)
ROLLER:DRIVEN:D
UPL



U001	U002	U003	U004	U005	U006	U007	U008	U009	U010	U011	U012	U013	U014	U015	U016	U017
------	------	------	------	------	------	------	------	------	------	------	------	------	------	------	------	------

U012 DUPLEX



69.M0664712 LEVER:PRESSURE RELEASE:RIGHT
 77.M0664742 GUIDE:HARNESS:DUPLEX
 62.M0664680 GUIDE PLATE:DUPLEX
 67.M0664702 LEVER:PRESSURE RELEASE:LEFT
 74.M0664724 GRIP:LEVER:LEFT

73.M0664723 (x2)
LEVER:LOCK:OUTER

75.M0664725 GRIP:LEVER:RIGHT

80.M0664862 LINK:DUPLEX

79.M0664861 LINK:DUPLEX:MAIN

66.M0664685 GROUND PLATE:DUPLEX

63.M0664682 INNER COVER:SIDE PLATE:RIGHT

76.M0664731 DC STEPPER MOTOR:MANUAL FEED:1.6W

71.M0664716 HINGE:DUPLEX:CONTACT POINT:RIGHT

78.M0664817 GASKET:RFSG-070 130:24

70.M0664713 HOLDER:RIGHT

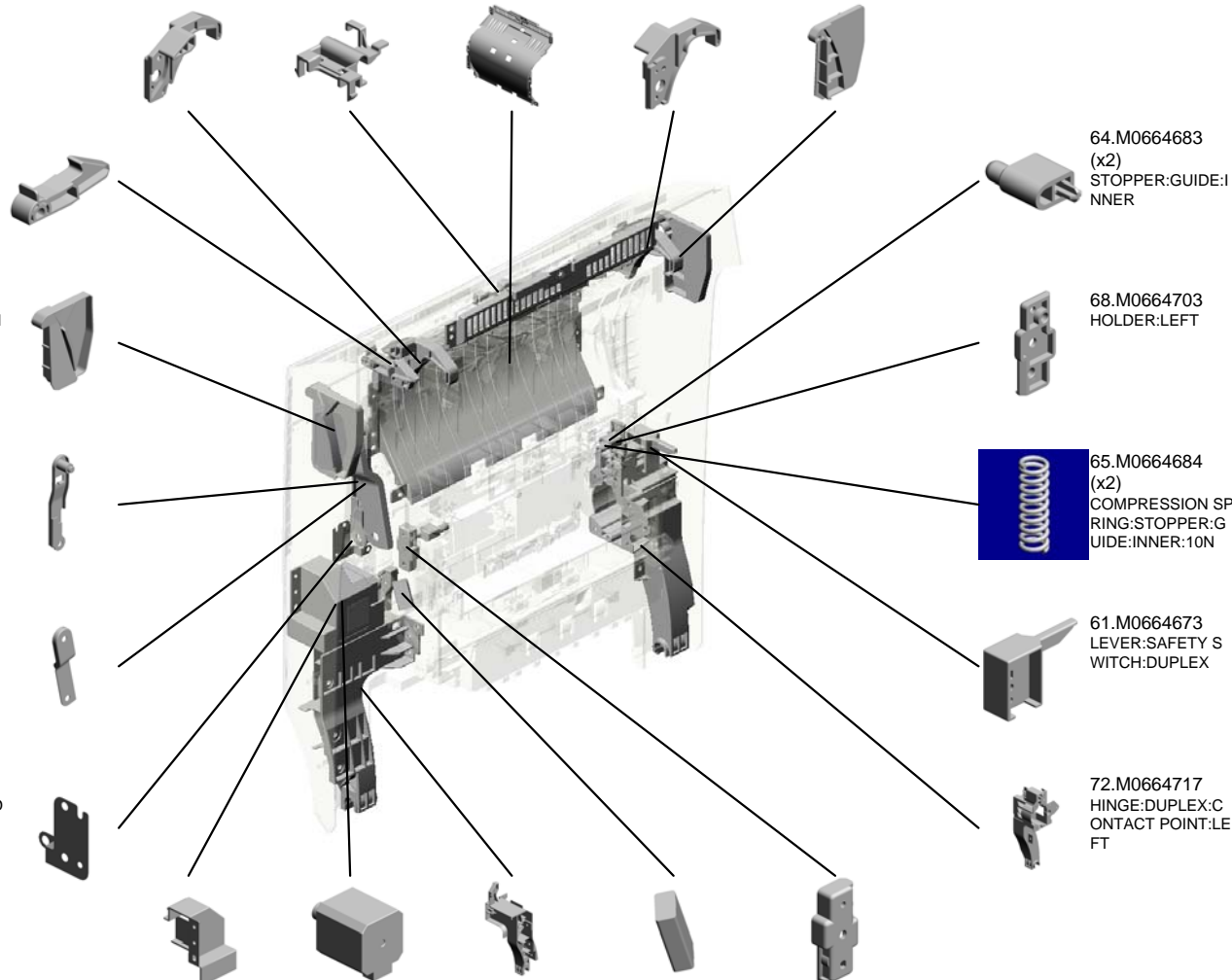
64.M0664683 (x2)
STOPPER:GUIDE:INNER

68.M0664703 HOLDER:LEFT

65.M0664684 (x2)
COMPRESSION SPRING:STOPPER:GUIDE:INNER:10N

61.M0664673 LEVER:SAFETY SWITCH:DUPLEX

72.M0664717 HINGE:DUPLEX:CONTACT POINT:LEFT



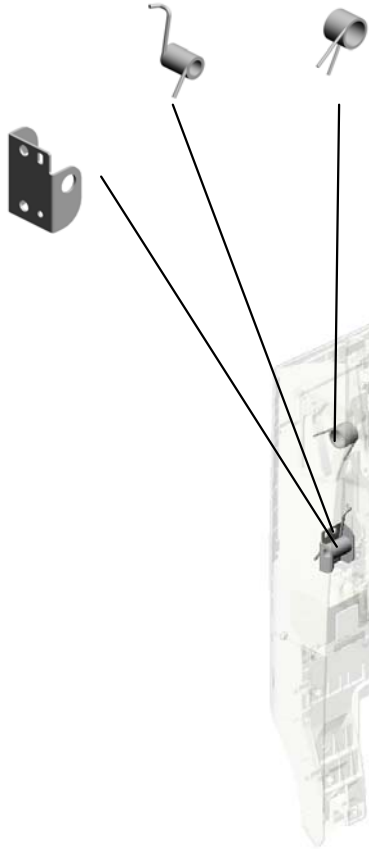
U001	U002	U003	U004	U005	U006	U007	U008	U009	U010	U011	U012	U013	U014	U015	U016	U017
------	------	------	------	------	------	------	------	------	------	------	------	------	------	------	------	------

U012 DUPLEX

83.M0664867 84.M0664868
TORSION SPRING: TORSION SPRING:
DAMPER:DUPLEX: LINK:DUPLEX:RIG
63N HT



81.M0664864
BRACKET:DAMPE
R:RIGHT



85.M0664869
SHAFT:STOPPER:
DUPLEX:LEFT



82.M0664866
STOPPER:DUPLEX
:LEFT



U001	U002	U003	U004	U005	U006	U007	U008	U009	U010	U011	U012	U013	U014	U015	U016	U017
------	------	------	------	------	------	------	------	------	------	------	------	------	------	------	------	------

U013 PAPER EXIT



- 14.AW010148 PHOTO REFLECTIO
N SENSOR:REVER
SE
- 19.B2274673 (x2)
EXIT ROLLER
- 7.11050328 HARNESS CLAMP -
ES-0505
- 15.AW020145 PHOTOINTERRUP
TOR:FLAT
- 8.11050511 (x2)
HARNESS CLAMP -
LWS-0306ZC

6.08050089
(x4)
RETAINING RING -
M4



1.03530030N
(x2)
SCREW:M3X3



11.AA082101
(x4)
BUSHING - 6X10X6



18.B2234494
(x2)
STOPPER- UPPER
GATE PAWL



5.08025320
HEXAGON HEAD T
APPING SCREW:E
S:3X10



17.B2234435
(x4)
ROLLER-AUXILIAR
Y:DRIVEN:DIA16:P
FA



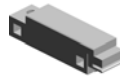
13.AW010146
PHOTO REFLECTIO
N SENSOR:PAPER
FEED



3.04523012N
BINDING SELF-TA
PPING SCREW:M3
X12



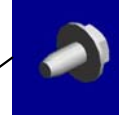
12.AW010127
PAPER FEED SEN
SOR



16.B2234428
(x3)
ROLLER:GUIDE:PF
A



2.04513006N
(x4)
TAPPING SCREW -
3X6



9.A2324666
CUSHION - STEPP
ER MOTOR



10.AA043339
TIMING BELT:PAP
ER EXIT:40S2M122



20.D0294461
TIMING PULLEY:20
T:DIA6



4.04543006Q
(x2)
TAPPING SCREW -
M3X6



U013 PAPER EXIT

23.M0264491
DISCHARGE BRUSH:
H:EXIT

25.M0264494
SHAFT:DRIVEN:EX
IT

32.M0664453
EXIT ROLLER

39.M0664466
GROUND PLATE:B
RACKET:SENSOR:
EXIT

35.M0664458
GEAR:PULLEY:Z18
/T20



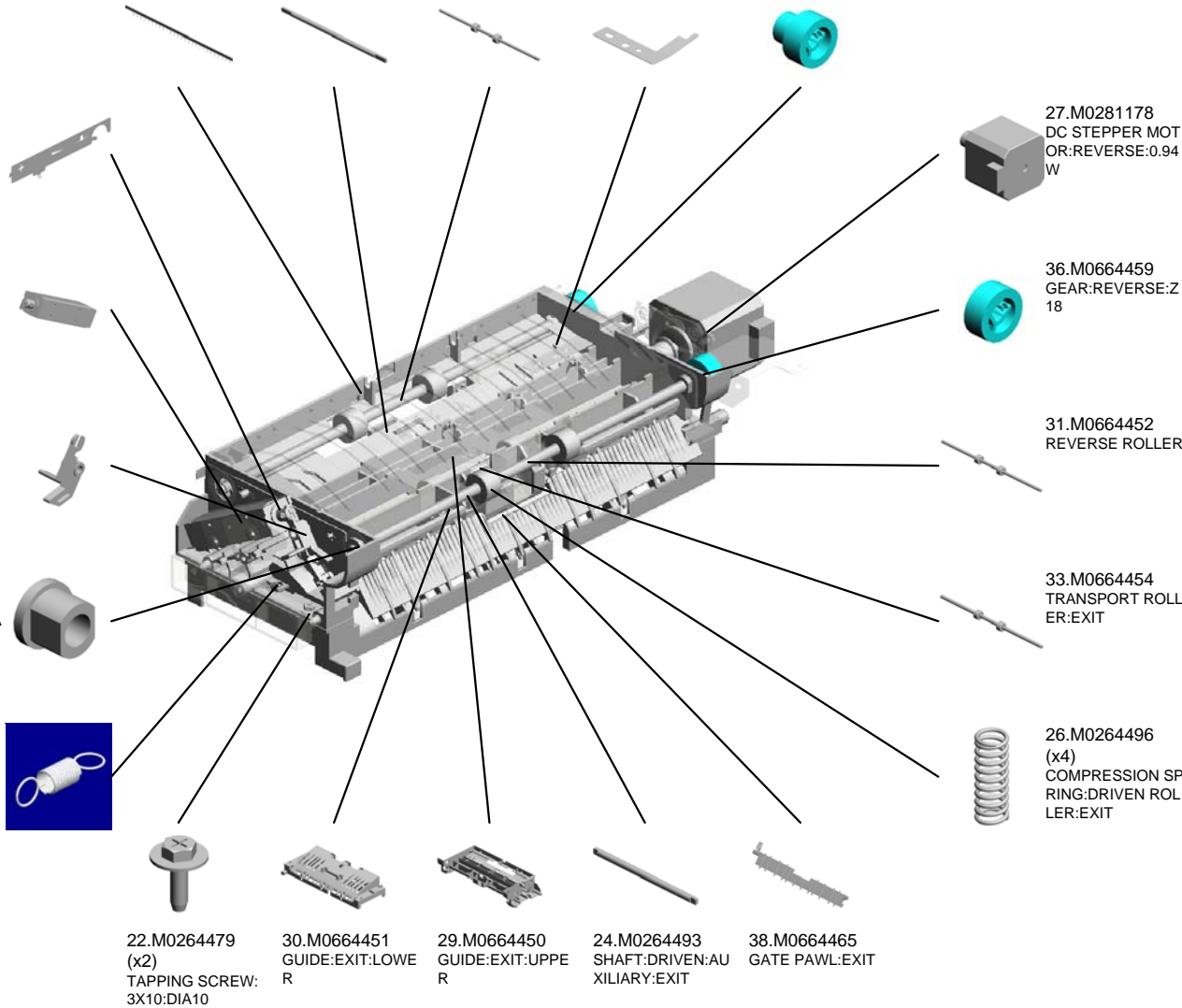
34.M0664455
GROUND PLATE:D
CSOL:EXIT

28.M0664441
DC SOLENOID:EXI
T:ASS'Y

37.M0664463
LEVER:GATE PAW
L:DC SOLENOID

21.GA082010
(x2)
BUSHING:DIA6:DIA
10:9

40.M0664467
TENSION SPRING:
GATE PAWL



27.M0281178
DC STEPPER MOT
OR:REVERSE:0.94
W

36.M0664459
GEAR:REVERSE:Z
18

31.M0664452
REVERSE ROLLER

33.M0664454
TRANSPORT ROLL
ER:EXIT

26.M0264496
(x4)
COMPRESSION SP
RING:DRIVEN ROL
LER:EXIT

22.M0264479
(x2)
TAPPING SCREW:
3X10:DIA10

30.M0664451
GUIDE:EXIT:LOWE
R

29.M0664450
GUIDE:EXIT:UPPE
R

24.M0264493
SHAFT:DRIVEN:AU
XILIARY:EXIT

38.M0664465
GATE PAWL:EXIT

U013 PAPER EXIT

45.M0664483 SHAFT:FEELER:OVERFLOW
 42.M0664472 GUIDE PLATE:REVERSE:LOWER
 41.M0664471 GUIDE PLATE:REVERSE:UPPER



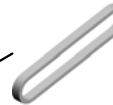
46.M0664485 FEELER:OVERFLOW



47.M0664486 GROUND PLATE:PAPER EXIT UNIT



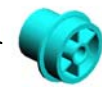
50.M0664498 SYNCHRONOUS BELT:30S2M162



43.M0664476 BRACKET:REVERSE:DRIVE



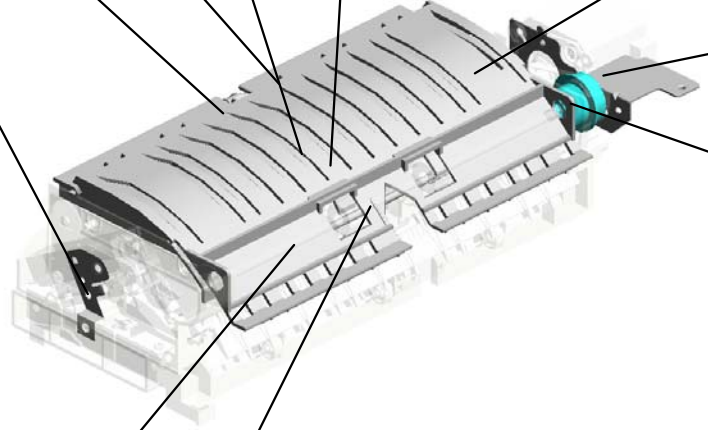
44.M0664482 GEAR:IDLER:REVERSE



49.M0664496 (x2) COMPRESSION SPRING:DRIVEN ROLLER:REVERSE



48.M0664493 SHAFT:DRIVEN:REVERSE ROLLER



U001	U002	U003	U004	U005	U006	U007	U008	U009	U010	U011	U012	U013	U014	U015	U016	U017
------	------	------	------	------	------	------	------	------	------	------	------	------	------	------	------	------

U014.MAIN DRIVE

U014_S001
M0661150
DRIVE UNIT:DRUM:DEVELO
PMENT:TRANSFER:ASS'Y



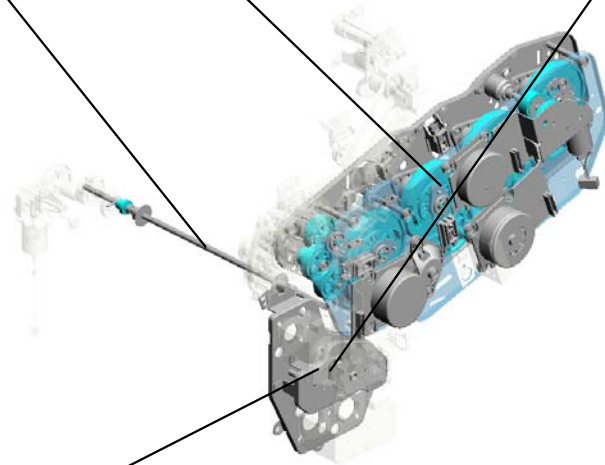
U014_S004
M0281148
SHAFT:ON-OFF:SECOND:PR
ESS FIT



U014_S003
M0661130
BRACKET:TRANSPORT:NO.2
:SUB-ASS'Y

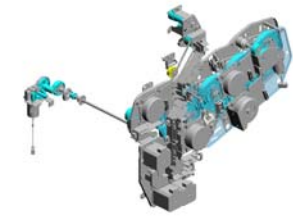
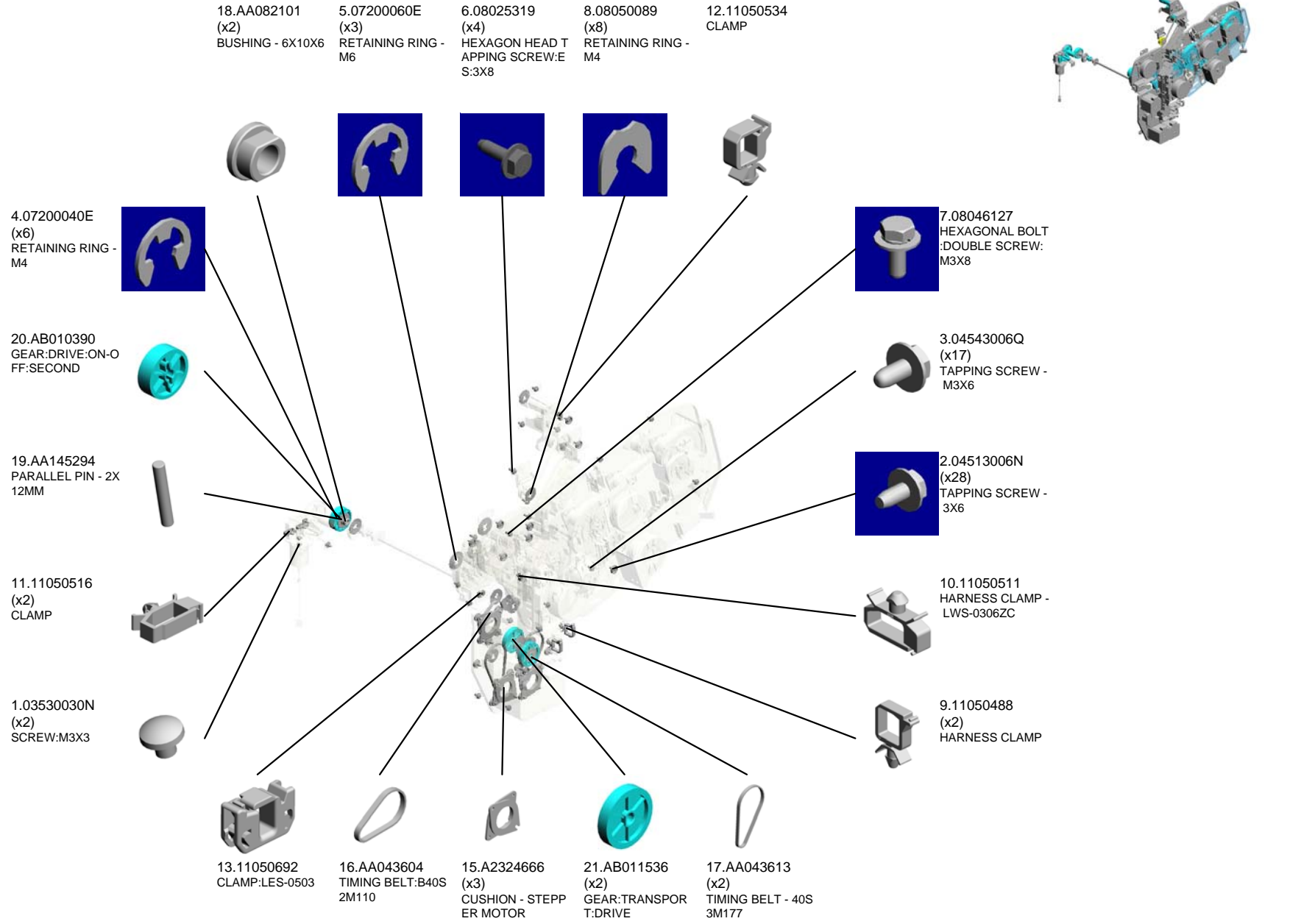


U014_S002
M0661125
BRACKET:TRANSPORT:NO.1
:ASS'Y



U001	U002	U003	U004	U005	U006	U007	U008	U009	U010	U011	U012	U013	U014	U015	U016	U017
------	------	------	------	------	------	------	------	------	------	------	------	------	------	------	------	------

U014 MAIN DRIVE



U001	U002	U003	U004	U005	U006	U007	U008	U009	U010	U011	U012	U013	U014	U015	U016	U017
------	------	------	------	------	------	------	------	------	------	------	------	------	-------------	------	------	------

U014 MAIN DRIVE

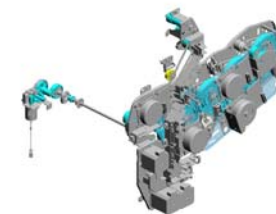
40.B6524213
TENSION SPRING:
HOOK:GATE PAWL

28.AB017807
GEAR:DRIVE UNIT:
PAPER EXIT SUB-
UNIT:NO.3

41.G3612600
TIMING BELT 40S3
M363CL

27.AB017806
GEAR:DRIVE UNIT:
PAPER EXIT SUB-
UNIT:NO.2

26.AB017805
GEAR:DRIVE UNIT:
PAPER EXIT SUB-
UNIT:NO.1



30.AB017809
GEAR:IDLER:ON-O
FF:SECOND



29.AB017808
GEAR:SLOW DOW
N:ON-OFF:SECON
D



25.AB017794
GEAR:DRIVE UNIT:
FUSING:NO.4



45.M0261127
(x2)
CAM:ON-OFF:TRA
NSFER:SECOND



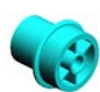
23.AB017792
GEAR:DRIVE UNIT:
FUSING:NO.2



33.AW500023
PUSH SWITCH



22.AB017789
GEAR:REGISTRATI
ON:COUPLING



46.M0261130
BRACKET:SENSO
R:ON-OFF:SECON
D



31.AB017810
(x2)
GEAR:TRANSPOR
T



47.M0261188
DC STEPPER MOT
OR:PAPER FEED:0
.94W



24.AB017793
GEAR:DRIVE UNIT:
FUSING:NO.3



34.AX060385
DC BRUSHLESS M
OTOR:FUSING/EXI
T:19.5W



32.AB017816
GEAR:DRIVE UNIT:
FUSING:NO.1



44.M0261126
SHIELDING PLATE:
ON-OFF:SECOND

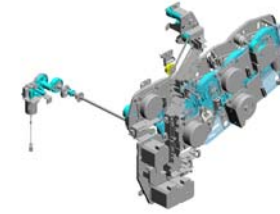


42.GW020020
PHOTOINTERRUP
TOR:LG248NL1



U014 MAIN DRIVE

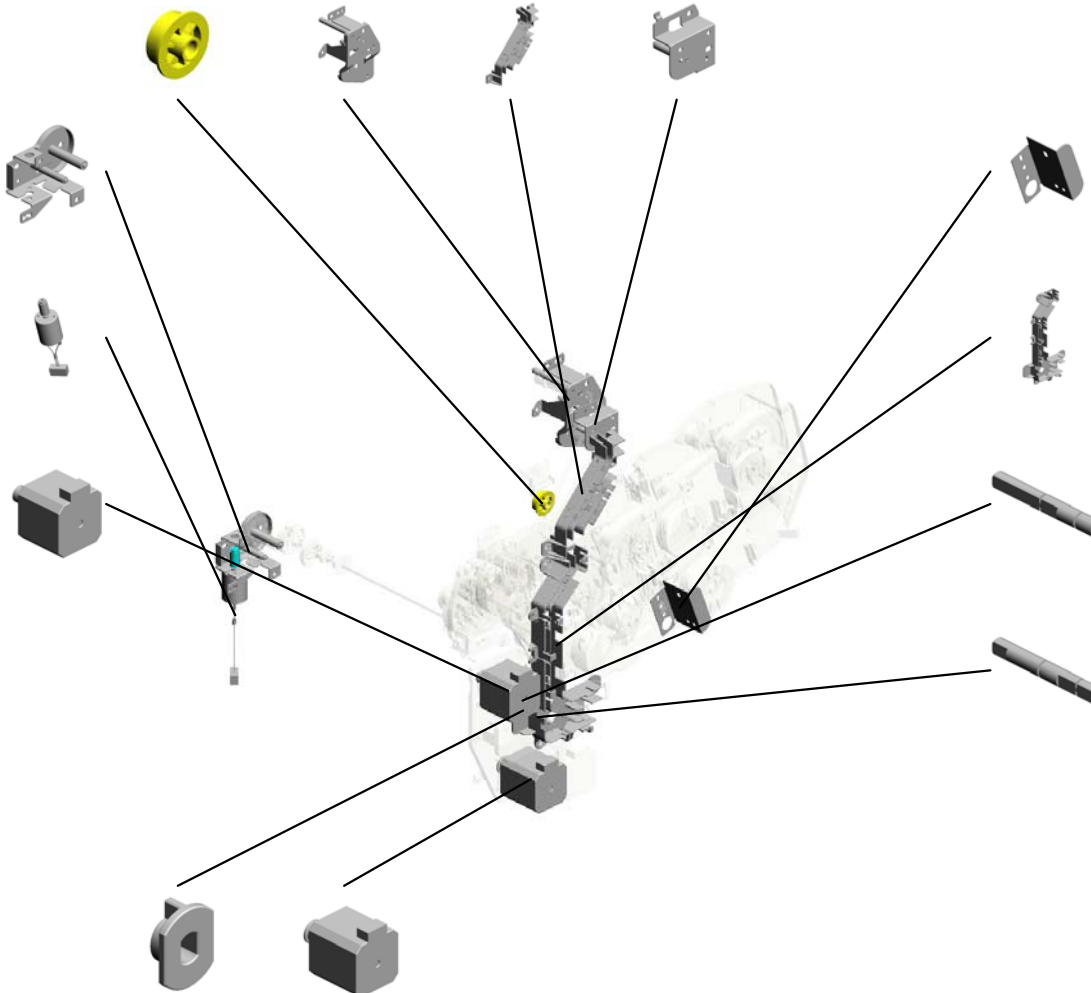
64.M0661188 PULLEY:DRIVE UNIT:FUSING SUB-UNIT:TIGHTENER
 60.M0661169 BRACKET:DRIVE UNIT:PAPER EXIT SUB-UNIT:NO.2:ASS'Y
 63.M0661187 GUIDE:HARNESS:NO.2
 59.M0661165 DRIVE UNIT:PAPER EXIT SUB-UNIT:NO.1:ASS'Y



61.M0661176 BRACKET:ON-OFF:SECOND:SUB-ASS'Y

52.M0281031 DC MOTOR:ON-OFF:1.56W

49.M0261190 DC STEPPER MOTOR:REGIST:1.34W



51.M0265810 COVER:HARNESS:DRIVE

62.M0661186 GUIDE:HARNESS:NO.1

56.M0661135 SHAFT:TRANSPORT

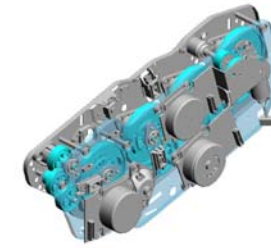
57.M0661137 SHAFT:PAPER FEED

50.M0261192 (x2) JOINT:PAPER FEED:DRIVE

48.M0261189 DC STEPPER MOTOR:TRANSPORT:1.56W

U001	U002	U003	U004	U005	U006	U007	U008	U009	U010	U011	U012	U013	U014	U015	U016	U017
------	------	------	------	------	------	------	------	------	------	------	------	------	-------------	------	------	------

U014_S001
 DRIVE UNIT:DRUM:DEVELOPMENT:TRANSFER:ASS'Y



58.M0661150
 DRIVE UNIT:DRUM
 :DEVELOPMENT:T
 RANSFER:ASS'Y

14.11050723 (x4) CLAMPS:WES-0507
 39.B2231144 (x2) HOLDER:POSITIO
 NING SENSOR
 36.AX060388 DC BRUSHLESS M
 OTOR:DRUM:COL
 OR:25W
 2.04513006N (x13) TAPPING SCREW -
 3X6

42.GW020020 (x2) PHOTOINTERRUP
 TOR:LG248NL1

38.AX200319 MAGNETIC CLUTC
 H:DEVELOPMENT

52.M0281031 DC MOTOR:ON-OF
 F:1.56W

35.AX060387 DC BRUSHLESS M
 OTOR:DEV:COLOR
 :40W

43.M0261033 HOLDER:CLUTCH:
 DEVELOPMENT

37.AX060389 DC BRUSHLESS M
 OTOR:DRUM:BK:31
 W
 10.11050511 (x6) HARNESS CLAMP -
 LWS-0306ZC

U001	U002	U003	U004	U005	U006	U007	U008	U009	U010	U011	U012	U013	U014	U015	U016	U017
------	------	------	------	------	------	------	------	------	------	------	------	------	------	------	------	------

U014_S002
BRACKET:TRANSPORT:NO.1:ASS'Y

18.AA082101
(x2)
BUSHING - 6X10X6



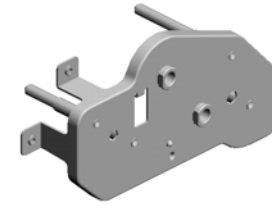
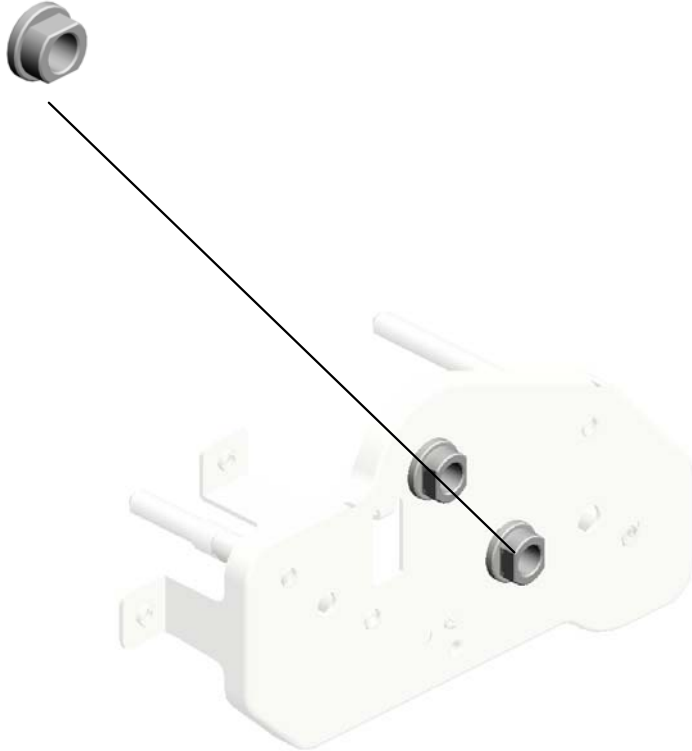
54.M0661125
BRACKET:TRANSP
ORT:NO.1:ASS'Y



U001	U002	U003	U004	U005	U006	U007	U008	U009	U010	U011	U012	U013	U014	U015	U016	U017
------	------	------	------	------	------	------	------	------	------	------	------	------	------	------	------	------

U014_S003
BRACKET:TRANSPORT:NO.2:SUB-ASS'Y

18.AA082101
(x2)
BUSHING - 6X10X6



55.M0661130
BRACKET:TRANSP
ORT:NO.2:SUB-AS
SY

U001	U002	U003	U004	U005	U006	U007	U008	U009	U010	U011	U012	U013	U014	U015	U016	U017
------	------	------	------	------	------	------	------	------	------	------	------	------	------	------	------	------

U014_S004

SHAFT:ON-OFF:SECOND:PRESS FIT

4.07200040E
(x2)
RETAINING RING -
M4

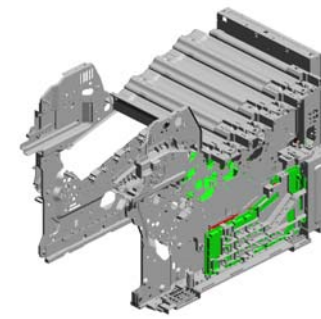


53.M0281148
SHAFT:ON-OFF:SE
COND:PRESS FIT



U001	U002	U003	U004	U005	U006	U007	U008	U009	U010	U011	U012	U013	U014	U015	U016	U017
------	------	------	------	------	------	------	------	------	------	------	------	------	------	------	------	------

U015 ELECTRICAL



- 16.11050534 (x5) CLAMP
- 13.11050511 (x5) HARNESS CLAMP - LWS-0306ZC
- 14.11050516 (x16) CLAMP
- 7.08025318 (x4) BINDING HEAD TAPPING SCREW:ES: 3X10
- 5.08010236 HEXAGONAL BOLT :DOUBLE SCREW: M4X8

- 10.11050487 (x12) HARNESS CLAMP

- 2.04513006N (x19) TAPPING SCREW - 3X6

- 3.04543006Q (x59) TAPPING SCREW - M3X6

- 17.11050723 CLAMPS:WES-0507

- 18.11050724 CLAMPS:WES-1210

- 8.08025319 (x9) HEXAGON HEAD TAPPING SCREW:ES:3X8

- 6.08025305 (x5) TAPPING SCREW - M3X6

- 11.11050488 (x13) HARNESS CLAMP

- 1.03530060N BIND SCREW - M3 X6

- 20.12042537 ROCKER SWITCH: AC250V/10A:BLACK

- 19.12042521 (x2) MICRO SWITCH

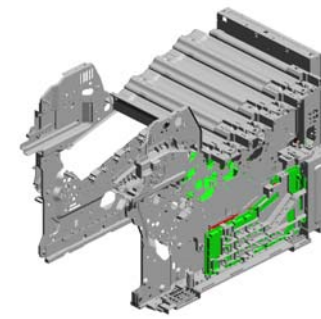
- 4.04543025Q TAPPING SCREW: ROUND POINT:3X25

- 9.08050092 (x3) RETAINING RING - 3M

- 15.11050517 HARNESS CLAMP - LWS-2111Z

- 12.11050508 HARNESS CLAMP - LWS-0711

U015 ELECTRICAL



25.AW500023
PUSH SWITCH

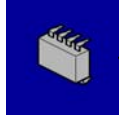
26.AX400220
HEATER:230V:9W

27.AX640202
FAN:MM40X15:NID
EC:H

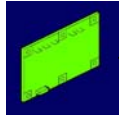
30.G1025846
BRACKET:HEATER
:DEHUMIDIFIER:C
OVER

23.AA143594
(x2)
STEPPED SCREW:
M3X5

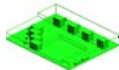
21.14077153
EEPROM:AT24C64
C-PU:64K



29.AZ320206
POWER PACK:T1T
2



28.AZ320201
POWER PACK:CB



38.M0265881
INSULATING SHEET:POWER PACK



37.GZ230051
POWER SUPPLY UNIT:EU/AA



22.AA143592
SCREW- M4X6



31.GA003030
DECAL - SHIELDING PLATE Y



40.M0265884
(x4)
SPRING PLATE:CHARGE



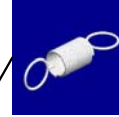
32.GA003031
DECAL - SHIELDING PLATE M



39.M0265882
(x4)
TERMINAL:DEVELOPMENT



36.GA060100
TENSION SPRING:
SAFETY SWITCH:FRONT



34.GA003033
DECAL - SHIELDING PLATE K



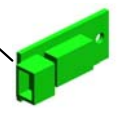
33.GA003032
DECAL - SHIELDING PLATE C



35.GA003905
DECAL:OPERATE:PCU



24.AW140012
TEMPERATURE & HUMIDITY SENSOR



U001	U002	U003	U004	U005	U006	U007	U008	U009	U010	U011	U012	U013	U014	U015	U016	U017
------	------	------	------	------	------	------	------	------	------	------	------	------	------	------	------	------

U015 ELECTRICAL

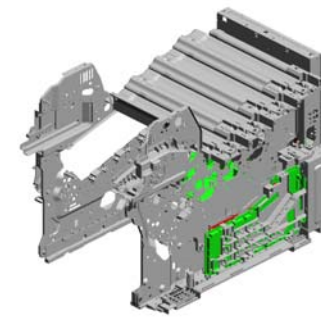
52.M0665124
PCB:BRIDGE

53.M0665812
SHADEING PLATE:
RACK

55.M0665818
GASKET:CTL

50.M0661111
DUCT:OPTICAL W
RITING MD

49.M0265897
(x4)
PLATE:SPRING PL
ATE:CHARGE



59.M0665837
GUIDE:HARNESS:
RIGHT REAR

60.M0665838
GUIDE:HARNESS:
BCU

51.M0665101
PCB:BCU

56.M0665819
GASKET:RFSG-050
100:50

54.M0665817
GUIDE RAIL:CONT
ROL UNIT

58.M0665836
BRACKET:CHOKE
COIL

41.M0265886
(x4)
SPRING PLATE:DE
VELOPMENT

47.M0265893
WIRE:HIGH VOLTA
GE:DEVELOPME
NT:Y

42.M0265887
(x5)
TERMINAL:TRANS
FER UNIT

46.M0265892
WIRE:HIGH VOLTA
GE:DEVELOPME
NT:M

48.M0265895
(x4)
PLATE:SPRING PL
ATE:DEVELOPME
NT

44.M0265889
WIRE:HIGH VOLTA
GE:DEVELOPME
NT:K

43.M0265888
TERMINAL:POWER
PACK

45.M0265891
WIRE:HIGH VOLTA
GE:DEVELOPME
NT:C

57.M0665822
BRACKET:MAIN S
WITCH

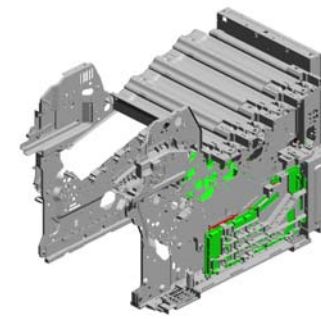
U015 ELECTRICAL

62.M0665852
BRACKET:HEATER
:DEHUMIDIFIER

69.M0665894
INNER COVER:TE
RMINAL

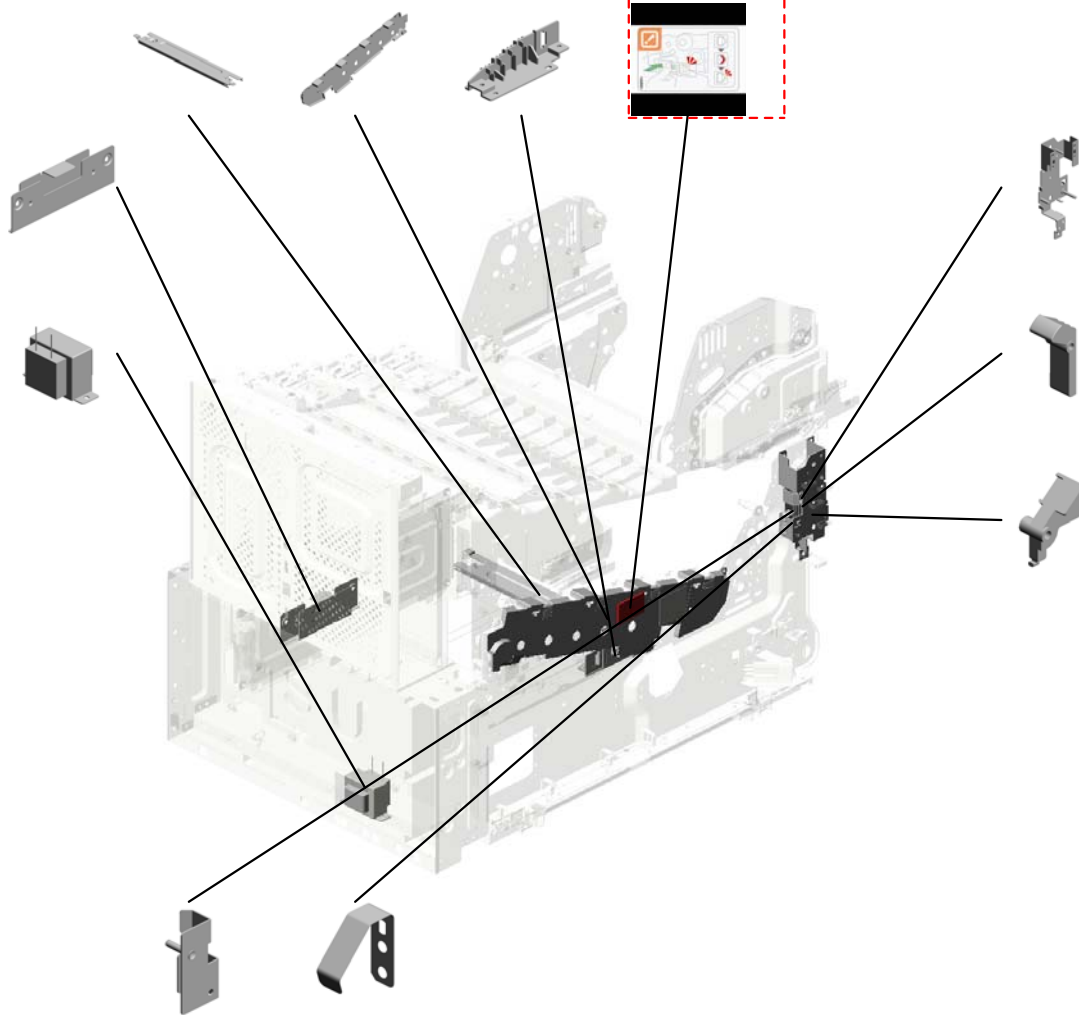
63.M0665883
HOLDER:TERMINA
L:DEVELOPMENT

71.M0662490
DECAL:GUIDE:SET
:PCU
201202-06



61.M0665851
GUIDE:HARNES
S:POWER PACK

70.N6074550
CHOKE COIL:RITL-
0107



65.M0665885
BRACKET:SAFETY
SWITCH

64.M0665884
LEVER:SAFETY S
WITCH

66.M0665887
LEVER:SAFETY S
WITCH:FRONT

67.M0665892
BRACKET:LEVER:
SAFETY SWITCH

68.M0665893
SPRING PLATE:LE
VER

U001	U002	U003	U004	U005	U006	U007	U008	U009	U010	U011	U012	U013	U014	U015	U016	U017
------	------	------	------	------	------	------	------	------	------	------	------	------	------	------	------	------

U016 CONTROLLER

- 4.04543006N (x8) TAPPING SCREW: ROUND POINT:3X6
- 2.04513014N (x2) TAPPING SCREW: 3X14
- 16.G1085108 RIGHT GUIDE 1
- 6.11050511 (x3) HARNESS CLAMP - LWS-0306ZC
- 5.08025320 (x2) HEXAGON HEAD TAPPING SCREW:ES:3X10



18.M0655715
PCB:CTL:EXP:(for M065)



19.M0665715
PCB:CTL:EXP:(for M066)



1.03603006N
(x4)
SCREW - M3X6



7.AA143848
(x4)
STEPPED SCREW - M3



11.D3625170
PCB - HDD



10.D3621140
HDD BRACKET



9.B5855140
PCB:DDR1-DIMM-3
2B:512MB:ASSY:(f or M066)



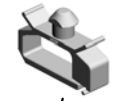
8.AA161125
(x4)
RUBBER CUSHION



17.M0265861
(x2)
GRIP:CONTROL BOARD:GLAY



14.G1045141
(x6)
KNOB SCREW:M3



13.G1045140
PANEL:INTERFAC
E



15.G1085107
LEFT GUIDE 1



12.G1045137
(x2)
PANEL:CARD

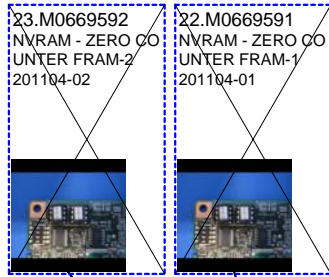


20.M0665833
PANEL:CONTROL
BOARD

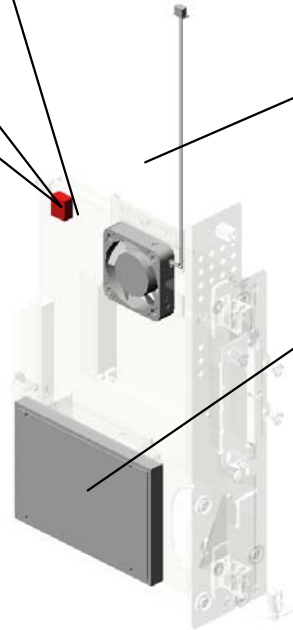


3.04533006N
TAPPING SCREW -
M3X6

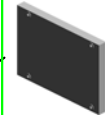
U016 CONTROLLER



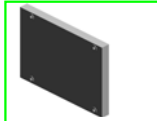
25.M0669590
NVRAM - ZERO CO
UNTER
201104-03



21.M0665845
DC FAN



26.M0805320
[A]
HDD:160GB:MK167
6GSX:(for M066)
201202-16

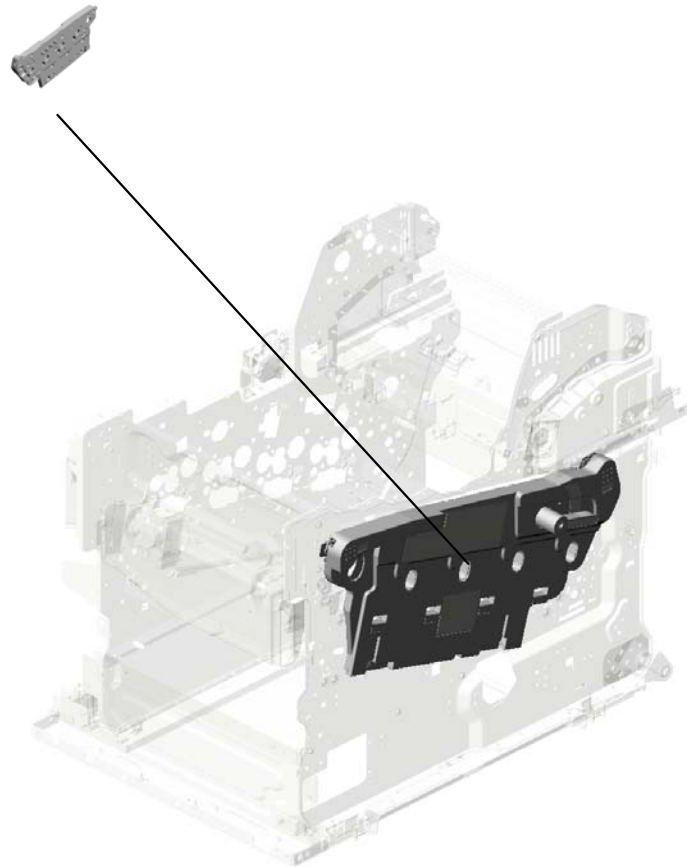


M0805321
[A]
HDD:OPTION:160G
B:MK1676GSX:(for
M066)
201202-16

U001	U002	U003	U004	U005	U006	U007	U008	U009	U010	U011	U012	U013	U014	U015	U016	U017
------	------	------	------	------	------	------	------	------	------	------	------	------	------	------	------	------

U017.MAIN FRAME

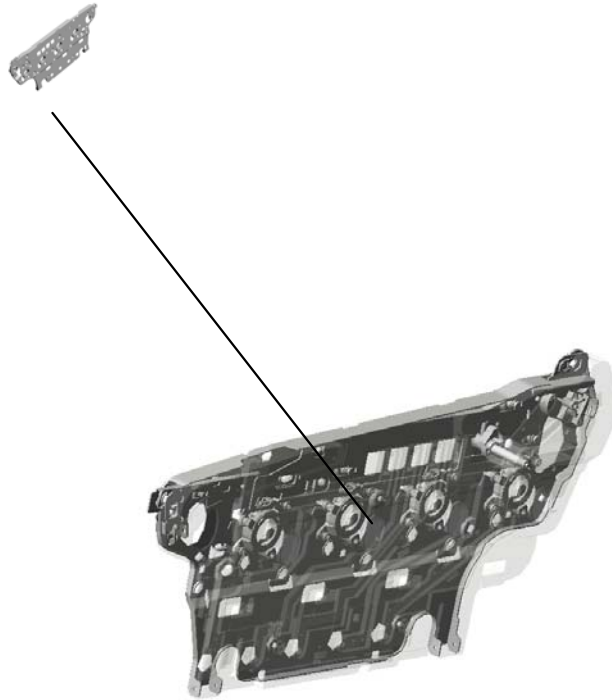
U017_S001
M0661303
DRUM STAY:PCU:ASS'Y



U001	U002	U003	U004	U005	U006	U007	U008	U009	U010	U011	U012	U013	U014	U015	U016	U017
------	------	------	------	------	------	------	------	------	------	------	------	------	------	------	------	------

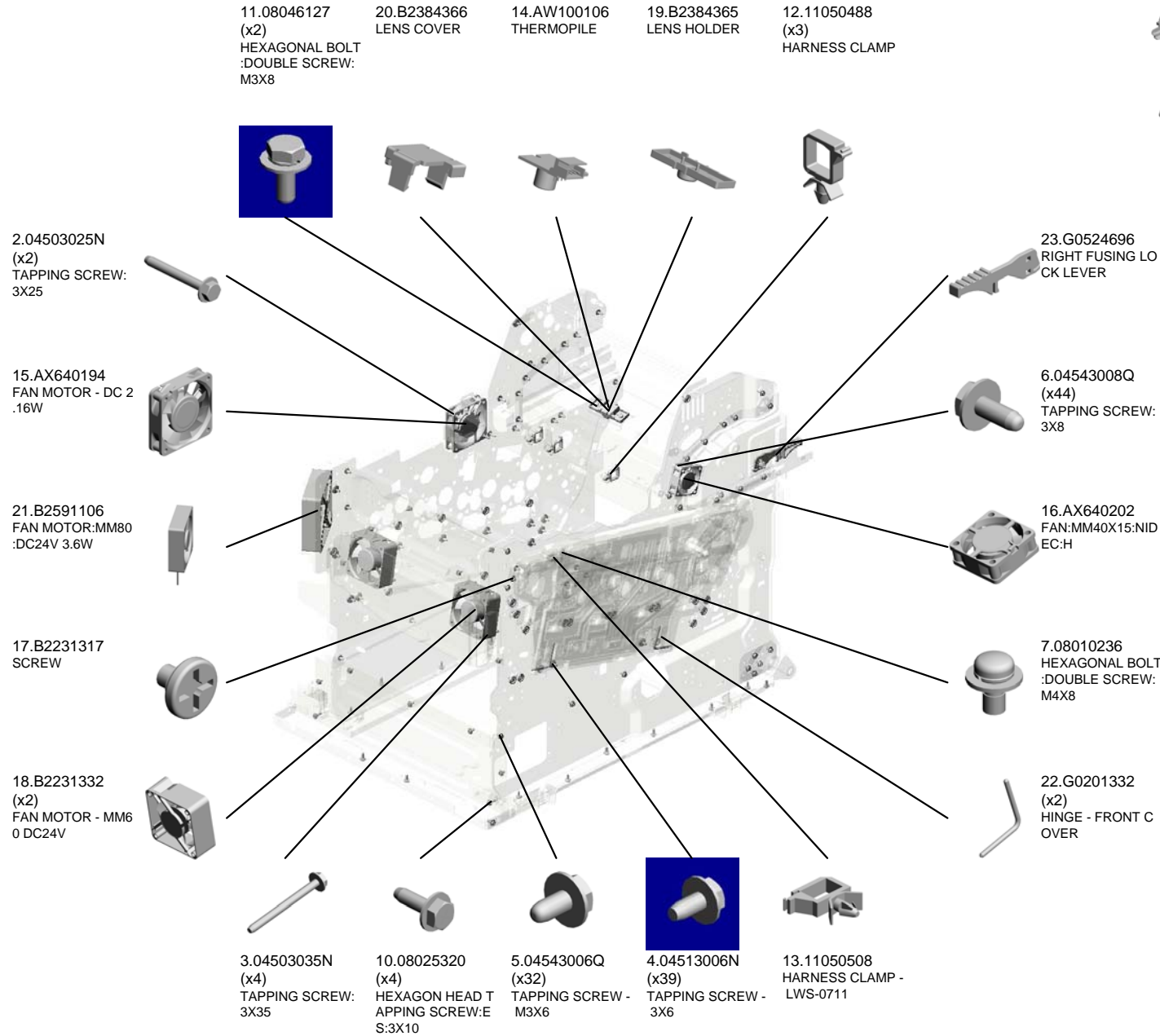
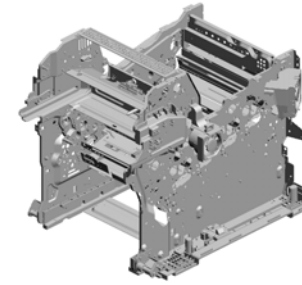
U017_S001.DRUM STAY:PCU:ASS'Y

U017_S001_S001
M0261302
DRUM STAY:FRAME:ASS'Y

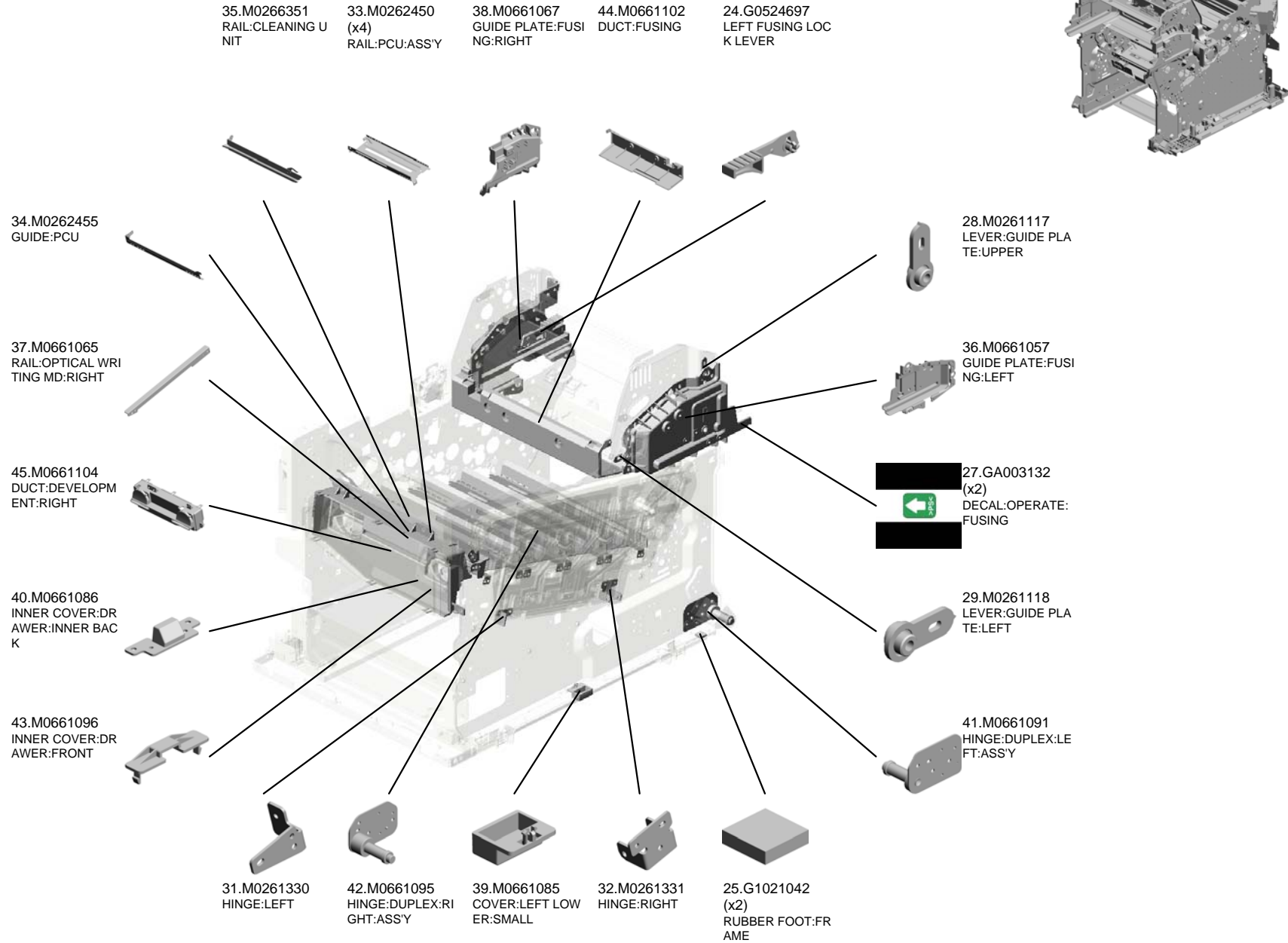


U001	U002	U003	U004	U005	U006	U007	U008	U009	U010	U011	U012	U013	U014	U015	U016	U017
------	------	------	------	------	------	------	------	------	------	------	------	------	------	------	------	------

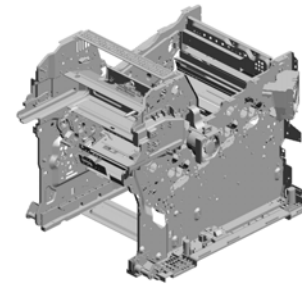
U017 MAIN FRAME



U017 MAIN FRAME



U017 MAIN FRAME

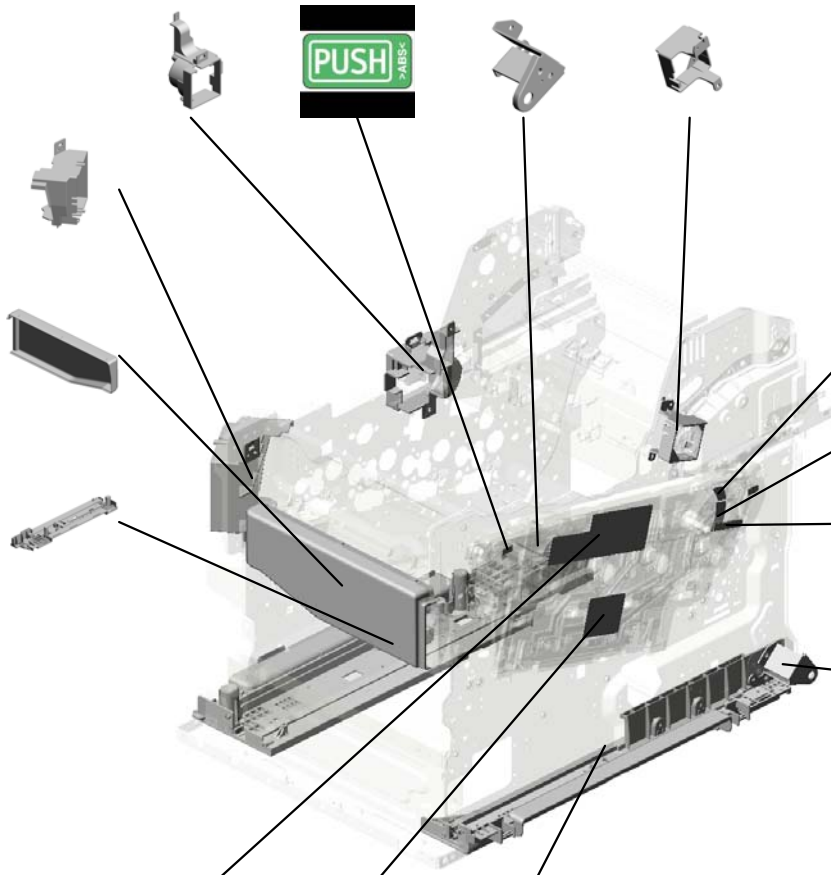


- 50.M0661116 DUCT:TONER SUPPLY
- 54.M0661351 (x2) DECAL:DRUM STAY:OPERATE
- 49.M0661114 BRACKET:PROTECTION:HINGE:DUPLEX:RIGHT
- 48.M0661113 DUCT:EXIT

46.M0661106
DUCT:DRIVE

47.M0661107
DUCT:DEVELOPMENT:LEFT

61.M0661064
FRAME:RIGHT LOWER



58.M0661355
DECAL:OPERATE:UN LOCK

57.M0661354
DECAL:OPERATE:LOCK

59.M0661356
DECAL:DRUM STAY:LEVER

51.M0661117
BRACKET:PROTECTION:HINGE:DUPLEX:LEFT

56.M0661353
DECAL:GUIDE:MAINTENANCE

55.M0661352
DECAL:OPERATE:CAUTION

60.M0661054
FRAME:LEFT LOWER

U017_S001
 DRUM STAY:PCU:ASS'Y

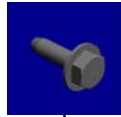
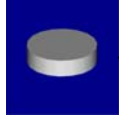
9.08025319
 (x6)
 HEXAGON HEAD TAPPING SCREW:ES:3X8

53.M0661311
 LEVER:LOCK:DRUM STAY

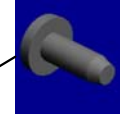
52.M0661303
 DRUM STAY:PCU:ASSY



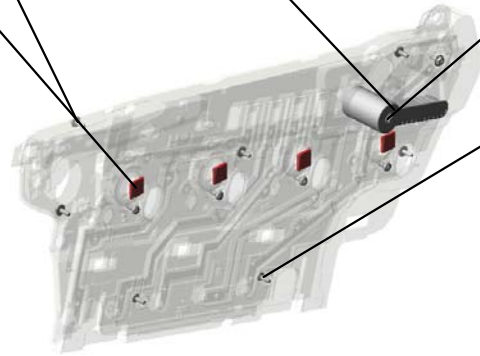
26.G1021172
 (x4)
 CUSHION:GROUND PLATE:PHOTOCOnductor



1.03603006N
 SCREW - M3X6

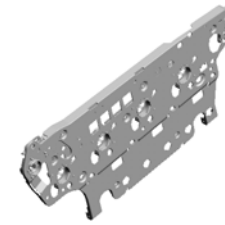


8.08025317
 (x6)
 BINDING HEAD TAPPING SCREW:ES:3X8

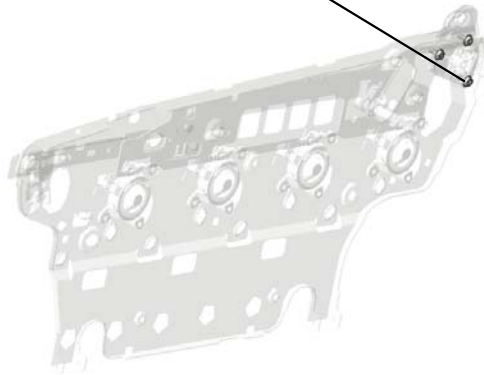


U017_S001_S001
DRUM STAY:FRAME:ASS'Y

6.04543008Q
(x3)
TAPPING SCREW:
3X8



30.M0261302
DRUM STAY:FRAM
E:ASS'Y



U001	U002	U003	U004	U005	U006	U007	U008	U009	U010	U011	U012	U013	U014	U015	U016	U017
------	------	------	------	------	------	------	------	------	------	------	------	------	------	------	------	------

ACCESSORIES



1.11500432
POWER SUPPLY CODE:250V:10A:EU



2.M0662892
DECAL:PAPER TRAY:SIZE INDICATI
ON

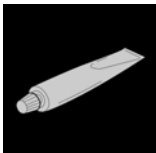


3.M0668426
SD-CARD:ELP-NX:ASS'Y

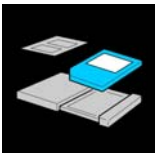
SPECIAL TOOLS



1.52039502
GREASE 501



2.A2579300
GREASE - BARRIERTA S552R



3.B6455010
SD-CARD:ASS'Y



4.B6456820
SD-CARD:USB:WRITER:BN-SDCGTY



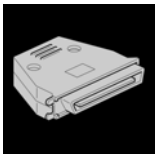
5.B6795100
PLUG - IEEE1284 - TYPE C



6.C4019503
20X MAGNIFICATION SCOPE



7.D0159500
G104 YELLOW TONER



8.G0219350
LOOPBACK CONNECTOR - PARALL
EL



9.VSSM9000
DIGITAL MULTIMETER-FLUKE189/FV
F

Exclusive Parts

Number	Part Name	Group	ID
52039502	GREASE 501	SPECIAL TOOLS	1
52062686	SNAP RING	U004	15
		U005	7
52152621	SNAP RING - M6	U012	11
54472681	SNAP RING	U011_S001	5
A2323554	BALL BEARING - 6X10X3	U007	4
A2324666	CUSHION - STEPPER MOTOR	U012	12
		U013	9
		U014	15
A2579300	GREASE - BARRIERTA S552R	SPECIAL TOOLS	2
A2672869	GEAR - 16Z	U004_S002	16
AA001532	PLATE:LOGO:RIC	U012	13
AA021031	MAGNETIC CATCH	U001	10
AA043339	TIMING BELT:PAPER EXIT:40S2M122	U013	10
AA043604	TIMING BELT:B40S2M110	U014	16
AA043613	TIMING BELT - 40S3M177	U014	17
AA060989	SPRING:FUSING EXIT:PRESSURE	U010_S001	14
AA061035	COIL SPRING:PRESSURE:55N	U010_S001	15
AA063460	COMPRESSION SPRING:OIL SUPPLY ROLLER	U010_S001	16
AA063461	COMPRESSION SPRING:BELT TENSIONER	U010_S001	17
AA082075	BUSHING - M6	U004	17
		U004_S001	17
AA082101	BUSHING - 6X10X6	U013	11
		U014	18
		U014_S002	18
		U014_S003	18
AA082118	BUSHING - M6	U012	14
AA082143	BUSHING - 6X10X6	U004_S001	18
		U004_S002	18
AA100014	RETAINING RING C - SEPARATE	U004_S001	19
		U004_S002	19
AA143592	SCREW- M4X6	U015	22
AA143593	SCREW:M4X4	U010_S001	18
AA143594	STEPPED SCREW:M3X5	U015	23
AA143792	SCREW:DRAWER	U010_S001	19

Number	Part Name	Group	ID
AA143848	STEPPED SCREW - M3	U016	7
AA143867	SCREW:DIA4:M3	U010_S001	20
AA145294	PARALLEL PIN - 2X12MM	U014	19
AA161125	RUBBER CUSHION	U016	8
AB010156	GEAR:SEPARATE:DRIVE	U004_S002	20
AB010157	GEAR:SEPARATE:DRIVEN	U004_S002	21
AB010390	GEAR:DRIVE:ON-OFF:SECOND	U014	20
AB011218	GEAR - ROLLER CLUTCH	U004_S001	22
AB011252	GEAR - 20Z	U004_S001	23
AB011536	GEAR:TRANSPORT:DRIVE	U014	21
AB012063	GEAR:IDLER:FUSING UNIT:Z31	U010_S001	21
AB012064	GEAR:IDLER:Z23	U010_S001	22
AB012065	GEAR:PRESSURE ROLLER:Z27	U010_S001	23
AB012066	GEAR:HOT ROLLER:MECHANICAL ROLLER CLUTCH:Z25	U010_S001	24
AB017789	GEAR:REGISTRATION:COUPLING	U014	22
AB017792	GEAR:DRIVE UNIT:FUSING:NO.2	U014	23
AB017793	GEAR:DRIVE UNIT:FUSING:NO.3	U014	24
AB017794	GEAR:DRIVE UNIT:FUSING:NO.4	U014	25
AB017805	GEAR:DRIVE UNIT:PAPER EXIT SUB-UNIT:NO.1	U014	26
AB017806	GEAR:DRIVE UNIT:PAPER EXIT SUB-UNIT:NO.2	U014	27
AB017807	GEAR:DRIVE UNIT:PAPER EXIT SUB-UNIT:NO.3	U014	28
AB017808	GEAR:SLOW DOWN:ON-OFF:SECOND	U014	29
AB017809	GEAR:IDLER:ON-OFF:SECOND	U014	30
AB017810	GEAR:TRANSPORT	U014	31
AB017816	GEAR:DRIVE UNIT:FUSING:NO.1	U014	32
AE010076	HOT ROLLER	U010_S001	25
AE012037	HEAT ROLLER	U010_S001	26
AE020179	PRESSURE ROLLER	U010_S001	27
AE030066	BALL BEARING:MM25XMM32X7	U010_S001	28
AE030069	BALL BEARING:DIA12XDIA21X7	U010_S001	29
AE030074	BALL BEARING:DIA17XDIA26X5	U010_S001	30
AE031045	BUSHING - BELT TENSION ROLLER	U010_S001	31

Exclusive Parts

Number	Part Name	Group	ID
AE031061	FRONT BUSHING - OIL SUPPLY ROLLER	U010_S001	32
AE031062	REAR BUSHING - OIL SUPPLY ROLLER	U010_S001	33
AE032030	BUSHING - 20X25	U010_S001	34
AE040074	OIL SUPPLY ROLLER:DIA18	U010_S001	35
AE040075	ROLLER:BELT TENSIONER	U010_S001	36
AE042087	CLEANING ROLLER:OIL SUPPLY ROLLER	U010_S001	37
AF013006	BOTTOM PLATE PAD	U004_S002_S003	24
AF030090	PAPER FEED ROLLER:PICKUP	U004_S001	25
AF031090	PAPER FEED ROLLER:FEED	U004_S001	26
AF032090	PAPER FEED ROLLER:SEPARATE	U004_S002	27
AG071007	LATCH - BY PASS FEED TABLE	U012	15
AG071012	MAGNET CATCH:ASS'Y	U001	11
AW010107	PAPER FEED SENSOR	U004	28
		U004_S001	28
		U012	16
AW010118	PAPER FEED SENSOR	U008	6
AW010127	PAPER FEED SENSOR	U013	12
AW010146	PHOTO REFLECTION SENSOR:PAPER FEED	U004_S001	29
		U013	13
AW010148	PHOTO REFLECTION SENSOR:REVERSE	U013	14
AW020145	PHOTOINTERRUPTOR:FLAT	U004_S001	30
		U009	6
		U011_S001	6
		U013	15
AW100105	THERMISTOR:FUSING	U010_S001	38
AW100106	THERMOPILE	U017	14
AW100129	THERMISTOR:PRESSURE	U010_S001	39
AW110090	THERMOSTAT:WELDING	U010_S001	40
AW110093	THERMOSTAT:WELDING	U010_S001	40
AW140012	TEMPERATURE & HUMIDITY SENSOR	U015	24
AW500023	PUSH SWITCH	U009	7
		U014	33
		U015	25

Number	Part Name	Group	ID
AX060385	DC BRUSHLESS MOTOR:FUSING/EXIT:19.5W	U014	34
AX060387	DC BRUSHLESS MOTOR:DEV:COLOR:40W	U014_S001	35
AX060388	DC BRUSHLESS MOTOR:DRUM:COLOR:25W	U014_S001	36
AX060389	DC BRUSHLESS MOTOR:DRUM:BLACK:31W	U014_S001	37
AX200319	MAGNETIC CLUTCH:DEVELOPMENT	U014_S001	38
AX400220	HEATER:230V:9W	U015	26
AX440313	HEATER:230V:550W/450W	U010_S001	41
AX440314	HEATER:230V:300W	U010_S001	42
AX640194	FAN MOTOR - DC 2.16W	U012	17
		U017	15
AX640202	FAN:MM40X15:NIDEC:H	U015	27
		U017	16
AZ300131	POWER PACK:D	U012	18
AZ320201	POWER PACK:CB	U015	28
AZ320206	POWER PACK:T1T2	U015	29
B0042310	SPUR	U008	7
B0241264	MAGNET CATCH	U001	12
B2231144	HOLDER:POSITIONING SENSOR	U014_S001	39
B2231317	SCREW	U017	17
B2231332	FAN MOTOR - MM60 DC24V	U017	18
B2232676	SPRING - 11N	U012	19
B2232829	FEED GUIDE	U004_S001	31
B2234428	ROLLER:GUIDE:PFA	U013	16
B2234435	ROLLER:AUXILIARY:DRIVEN:DIA16:PFA	U013	17
B2234494	STOPPER- UPPERGATE PAWL	U013	18
B2274673	EXIT ROLLER	U013	19
B2382655	GEAR - 16Z	U004	32
B2382675	REGISTRATION ROLLER BUSHING	U004	33
B2382719	PIN	U011_S001	7
B2382725	ROLLER - TRAY BOTTOM PLATE	U011_S001	8
B2384197	LEVER:LOCK:PRESSURE	U010_S001	43

Exclusive Parts

Number	Part Name	Group	ID
B2384365	LENS HOLDER	U017	19
B2384366	LENS COVER	U017	20
B2591106	FAN MOTOR:MM80:DC24V 3.6W	U017	21
B3004566	ROLLER TENSION	U012	20
B5855140	PCB:DDR1-DIMM-32B:512MB:ASS'Y:(for M066)	U016	9
B6455010	SD-CARD:ASS'Y	SPECIAL TOOLS	3
B6456820	SD-CARD:USB:WRITER:BN-SDCGTY	SPECIAL TOOLS	4
B6524213	TENSION SPRING:HOOK:GATE PAWL	U014	40
B6795100	PLUG - IEEE1284 - TYPE C	SPECIAL TOOLS	5
C4019503	20X MAGNIFICATION SCOPE	SPECIAL TOOLS	6
D0159500	G104 YELLOW TONER	SPECIAL TOOLS	7
D0294461	TIMING PULLEY:20T:DIA6	U013	20
D0671495	LCD:168*64DOTS	U002_S001_S001	4
D3621140	HDD BRACKET	U016	10
D3625170	PCB - HDD	U016	11
G0123050	SIDE FENCE GEAR	U011_S002	9
G0201332	HINGE - FRONT COVER	U017	22
G0205626	PUSH SWITCH	U004	34
G0219350	LOOPBACK CONNECTOR - PARALLEL	SPECIAL TOOLS	8
G0524696	RIGHT FUSING LOCK LEVER	U017	23
G0524697	LEFT FUSING LOCK LEVER	U017	24
G0602652	BUSHING - M4	U012	21
G1021042	RUBBER FOOT:FRAME	U017	25
G1021172	CUSHION:GROUND PLATE:PHOTOCONDUCTOR	U017_S001	26
G1021355	BAND:STOPPER:DOOR	U001	13
G1022789	STOPPER:PHOTOINTERRUPTOR	U003	7
G1023865	GUIDE:LEFT:INTERMEDIATE TRANSFER	U007	11
G1024203	ROLLER:LEVER:PRESSURE	U010_S001	44
G1024661	COVER:FUSING:ENTRANCE SENSOR	U008	8
G1025846	BRACKET:HEATER:DEHUMIDIFIER:COVER	U015	30

Number	Part Name	Group	ID
G1026051	SIDE PLATE:FRONT:INTERMEDIATE TRANSFER	U007	5
G1026115	LEVER:RELEASE:INTERMEDIATE TRANSFER	U007	6
G1026136	GRIP:INTERMEDIATE TRANSFER:LEFT	U007	12
G1026137	GRIP:INTERMEDIATE TRANSFER:RIGHT	U007	13
G1026140	COVER:INTERMEDIATE TRANSFER	U007	14
G1026190	GUIDE:FRONT:INTERMEDIATE TRANSFER:ASS'Y	U007	15
G1026292	LEVER:PRESSURE:TRANSFER UNIT	U008	9
G1026293	SPRING:TRANSFER UNIT:LEFT	U008	10
G1026307	GUIDE:TRANSFER ROLLER:ENTRANCE	U008_S001	11
G1026334	TENSION SPRING:CLEANER:DENSITY SENSOR	U008	12
G1026335	COVER:DENSITY SENSOR	U008	13
G1026341	SHEET:SENSOR	U008	14
G1045137	PANEL:CARD	U016	12
G1045140	PANEL:INTERFACE	U016	13
G1045141	KNOB SCREW:M3	U016	14
G1085107	LEFT GUIDE 1	U016	15
G1085108	RIGHT GUIDE 1	U016	16
G3612600	TIMING BELT 40S3M363CL	U014	41
GA000086	DECAL:H-TEMP WARNING:MOTOR	U012	22
GA001073	DECAL:KNOB:Z	U012	23
GA003030	DECAL - SHIELDING PLATE Y	U015	31
GA003031	DECAL - SHIELDING PLATE M	U015	32
GA003032	DECAL - SHIELDING PLATE C	U015	33
GA003033	DECAL - SHIELDING PLATE K	U015	34
GA003102	DECAL:LOCK:INTERMEDIATE TRANSFER	U007	7
GA003103	DECAL:UN LOCK:MIDDLE	U007	8
GA003132	DECAL:OPERATE:FUSING	U012	24
		U017	27

Exclusive Parts

Number	Part Name	Group	ID
GA003231	DECAL:POSITIONING:TONER SUPPLY:K	U005	9
GA003232	DECAL:POSITIONING:TONER SUPPLY:C	U005	10
GA003233	DECAL:POSITIONING:TONER SUPPLY:M	U005	11
GA003234	DECAL:POSITIONING:TONER SUPPLY:Y	U005	12
GA003235	DECAL:POSITIONING DISPLAY:TONER SUPPLY:K	U005_S001	13
GA003236	DECAL:POSITIONING DISPLAY:TONER SUPPLY:C	U005_S001	14
GA003237	DECAL:POSITIONING DISPLAY:TONER SUPPLY:M	U005_S001	15
GA003238	DECAL:POSITIONING DISPLAY:TONER SUPPLY:Y	U005_S001	16
GA003905	DECAL:OPERATE:PCU	U015	35
GA003907	MAIN SWITCH:ON-OFF:EU	U001	14
GA043032	SYNCHRONOUS BELT:S2M:L230	U012	25
GA043033	SYNCHRONOUS BELT:S2M:L200	U012	26
GA043034	SYNCHRONOUS BELT:S2M:L170	U012	27
GA043035	SYNCHRONOUS BELT:S3M43	U012	28
GA043036	SYNCHRONOUS BELT:S2M:L152	U012	29
GA043037	SYNCHRONOUS BELT:S3M:L171	U012	30
GA060083	COIL SPRING:DRIVE:MANUAL FEED	U011_S001	10
GA060100	TENSION SPRING:SAFETY SWITCH:FRONT	U015	36
GA063088	COMPRESSION SPRING:SEPARATION:MANUAL FEED	U011_S001	11
GA063089	COMPRESSION SPRING:PAPER FEED:MANUAL FEED	U011_S001	12
GA063090	COMPRESSION SPRING:PRESSURE PLATE:COVER:INNER	U012	31
GA066028	TORSION SPRING:DRIVEN:DUPLEX	U012	32
GA066030	TORSION SPRING:LEVER:DUPLEX:LEFT	U012	33

Number	Part Name	Group	ID
GA066031	TORSION SPRING:LEVER:DUPLEX:RIGHT	U012	34
GA066033	TORSION SPRING:FEELER:MANUAL FEED	U011_S001	13
GA082010	BUSHING:DIA6:DIA10:9	U011_S001	14
		U013	21
GA140040	SHAFT:LEVER	U012	35
GA140041	SHAFT:MANUAL FEED	U011_S001	15
GA152022	ENTRANCE SEAL:COLLECTION BOTTLE:PCU:ASSY	U009	14
GB013081	GEAR:Z16:DUPLEX	U012	36
GB013082	GEAR:IDLER:Z19:DUPLEX	U012	37
GB013083	GEAR:IDLER:Z16:DUPLEX	U012	38
GB013084	PULLEY:TRANSPORT ROLLER:DUPLEX:T17	U012	39
GB017056	PULLEY:MANUAL FEED	U012	40
GB030046	PULLEY:DUPLEX:EXIT	U012	41
GF020056	TRANSPORT ROLLER:DUPLEX	U012	42
GF020057	TRANSPORT ROLLER:DUPLEX:EXIT	U012	43
GF022025	ROLLER:DRIVEN:DUPLEX	U012	44
GF031007	PAPER FEED ROLLER:MANUAL FEED	U011_S001	16
GW020020	PHOTOINTERRUPTOR:LG248NL1	U003	8
		U014	42
		U014_S001	42
GX110022	DC SOLENOID:24V:9.6W	U011_S001	17
GZ230051	POWER SUPPLY UNIT:EU/AA	U015	37
M0261033	HOLDER:CLUTCH:DEVELOPMENT	U014_S001	43
M0261117	LEVER:GUIDE PLATE:UPPER	U017	28
M0261118	LEVER:GUIDE PLATE:LEFT	U017	29
M0261126	SHIELDING PLATE:ON-OFF:SECOND	U014	44
M0261127	CAM:ON-OFF:TRANSFER:SECOND	U014	45
M0261130	BRACKET:SENSOR:ON-OFF:SECOND	U014	46
M0261188	DC STEPPER MOTOR:PAPER FEED:0.94W	U014	47

Exclusive Parts

Number	Part Name	Group	ID
M0261189	DC STEPPER MOTOR:TRANSPOR T:1.56W	U014	48
M0261190	DC STEPPER MOTOR:REGIST:1.3 4W	U014	49
M0261192	JOINT:PAPER FEED:DRIVE	U014	50
M0261265	CAP:TOTAL COUNTER	U001	15
M0261302	DRUM STAY:FRAME:ASS'Y	U017_S001_S001	30
M0261330	HINGE:LEFT	U017	31
M0261331	HINGE:RIGHT	U017	32
M0262450	RAIL:PCU:ASS'Y	U017	33
M0262455	GUIDE:PCU	U017	34
M0262551	REGISTRATION ROLLER:DRIVE	U004	35
M0262552	REGISTRATION ROLLER:DRIVEN	U004	36
M0262553	GEAR:REGISTRATION:26Z	U004	37
M0262554	GEAR:REGISTRATION:DRIVEN:14 Z	U004	38
M0262555	TENSION SPRING:REGISTRATION :7N	U004	39
M0262563	BRACKET:REMOVE PAPER DUST: ADHESION	U004	40
M0262566	GUIDE PLATE:REGISTRATION:LEF T	U004	41
M0262567	GUIDE PLATE:REGISTRATION:RIG HT	U004	42
M0262571	CASE:REMOVE PAPER DUST	U004	43
M0262574	ROLLER:REMOVE PAPER DUST	U004	44
M0262575	CUSHION:REMOVE PAPER DUST	U004	45
M0262577	SHEET:COVER:REMOVE PAPER D UST	U004	46
M0262581	GEAR:ROLLER:REMOVE PAPER D UST	U004	47
M0262583	COVER:REMOVE PAPER DUST:AD HESION	U004	48
M0262584	SHEET:REMOVE PAPER DUST:RI GHT	U004	49
M0262658	SHAFT:DRIVEN:VERTICAL TRANS PORT	U012	45
M0262769	JOINT:FEED	U004_S001	50

Number	Part Name	Group	ID
M0262828	TORQUE LIMITER	U004_S002	51
M0262937	DECAL:SIDE FENCE:REAR	U004_S002_S001	52
M0263323	COLLAR:TONER SUPPLY	U005_S006	18
		U005_S007	18
		U005_S008	18
		U005_S009	18
M0263343	TORSION SPRING:STOPPER:RIGH T	U005_S001	19
M0263344	TORSION SPRING:STOPPER:LEFT	U005_S001	20
M0264041	TORSION SPRING:STRIPPER PLA TE	U010_S001	45
M0264106	FUSING BELT	U010_S001	46
M0264163	HOUSING:THERMOSTAT	U010_S001	47
M0264167	HOUSING:THERMOSTAT:PRESSU RE	U010_S001	48
M0264172	ELECTRODE PLATE:THERMOSTA T	U010_S001	49
M0264198	LEVER:PRESSURE:FRONT	U010_S001	50
M0264206	LEVER:PRESSURE RELEASE:FRO NT	U010_S001	51
M0264218	LEVER:PRESSURE:REAR	U010_S001	52
M0264226	LEVER:PRESSURE RELEASE:REA R	U010_S001	53
M0264245	BRACKET:HEATER:FUSING:FRON T	U010_S001	54
M0264247	BRACKET:HEATER:FUSING:REAR	U010_S001	55
M0264252	BRACKET:HEATER:PRESSURE:RE AR	U010_S001	56
M0264253	BRACKET:HEATER:PRESSURE:FR ONT	U010_S001	57
M0264283	FUSING ENTRANCE GUIDE PLATE	U010_S001	58
M0264287	FUSING COVER:LOWER	U010_S001	59
M0264291	GUIDE PLATE:FUSING EXIT:ASS'Y	U010_S001	60
M0264296	DECAL:H-TEMP WARNING:FUSIN G:1	U010_S001_S001	61
M0264297	DECAL:H-TEMP WARNING:FUSIN G:2	U010_S001_S001	62
M0264308	BRACKET:THERMISTOR:PRESSU	U010_S001	63

Exclusive Parts

Number	Part Name	Group	ID
	RE:ASS'Y		
M0264312	STRIPPER PLATE:COAT	U010_S001	64
M0264336	ELECTRODE PLATE:REAR:M3	U010_S001	65
M0264337	ELECTRODE PLATE:REAR:M4	U010_S001	66
M0264338	ELECTRODE PLATE:TERMINAL:PRESSURE	U010_S001	67
M0264352	ELECTRODE PLATE:THERMOSTAT	U010_S001	49
M0264354	BRACKET:TERMINAL:PRESSURE	U010_S001	68
M0264357	TERMINAL:REAR	U010_S001	69
M0264359	TERMINAL:PRESSURE	U010_S001	70
M0264479	TAPPING SCREW:3X10:DIA10	U013	22
M0264491	DISCHARGE BRUSH:EXIT	U013	23
M0264493	SHAFT:DRIVEN:AUXILIARY:EXIT	U013	24
M0264494	SHAFT:DRIVEN:EXIT	U013	25
M0264496	COMPRESSION SPRING:DRIVEN ROLLER:EXIT	U013	26
M0264585	PULLEY:TRANSPORT ROLLER:DUPLEX:T26	U012	46
M0264586	PULLEY:CONNECTING:T24/T24	U012	47
M0265152	PCB:RFID-AFE:K	U005	21
M0265158	PCB:RFID-AFE:M	U005	22
M0265166	PCB:RFID-AFE:C	U005	23
M0265168	PCB:RFID-AFE:Y	U005	24
M0265810	COVER:HARNESS:DRIVE	U014	51
M0265861	GRIP:CONTROL BOARD:GLAY	U016	17
M0265881	INSULATING SHEET:POWER PACK	U015	38
M0265882	TERMINAL:DEVELOPMENT	U015	39
M0265884	SPRING PLATE:CHARGE	U015	40
M0265886	SPRING PLATE:DEVELOPMENT	U015	41
M0265887	TERMINAL:TRANSFER UNIT	U015	42
M0265888	TERMINAL:POWER PACK	U015	43
M0265889	WIRE:HIGH VOLTAGE:DEVELOPMENT:K	U015	44
M0265891	WIRE:HIGH VOLTAGE:DEVELOPMENT:C	U015	45
M0265892	WIRE:HIGH VOLTAGE:DEVELOPMENT	U015	46

Number	Part Name	Group	ID
	ENT:M		
M0265893	WIRE:HIGH VOLTAGE:DEVELOPMENT:Y	U015	47
M0265895	PLATE:SPRING PLATE:DEVELOPMENT	U015	48
M0265897	PLATE:SPRING PLATE:CHARGE	U015	49
M0266123	COLLAR:ROLLER	U004_S001	53
M0266124	FLAT BELT-TRANSFER:ASS'Y	U007	9
M0266150	HOLDER:ENCODER:ASS'Y	U007	16
M0266152	COVER:ENCODER	U007	17
M0266153	PCB:INTERMEDIATE TRANSFER:ENCODER	U007	18
M0266154	DISC:ENCODER:150LPI:250CT	U007	19
M0266155	COLLAR:ENCODER	U007	20
M0266166	DENSITY SENSOR:ASS'Y	U008	26
M0266290	HOLDER:LEVER:PRESSURE:TRANSFER	U008	15
M0266291	COVER:POWER PACK:TRANSFER UNIT	U008	16
M0266294	GUIDE PLATE:TRANSFER ROLLER:UPPER	U008	17
M0266301	LEVER:ON-OFF:TRANSFER UNIT	U008	18
M0266302	RAIL:MAIN:ASS'Y	U008_S001	19
M0266329	SHUTTER:DENSITY SENSOR	U008	20
M0266332	INSULATING SHEET:DENSITY SENSOR	U008	21
M0266333	HOLDER:DENSITY SENSOR	U008	22
M0266351	RAIL:CLEANING UNIT	U017	35
M0266356	GROUND PLATE:TRANSFER:SECOND	U008	24
M0266365	DECAL:WARNING (HIGH VOLTAGE)	U012	48
M0266463	FEELER:USED TONER SENSOR	U009	15
M0266467	ENTRANCE SEAL:COLLECTION BOTTLE:INTERMEDIATE TRANSFER:ASS'Y	U009	16
M0266481	GEAR:IDLER:COLLECTION BOTTLE:20Z	U009	8

Exclusive Parts

Number	Part Name	Group	ID
M0266482	GEAR:IDLER:DC MOTOR:30Z	U009	9
M0266485	DC MOTOR:2.64W	U009	10
M0266885	DECAL:MAIN SWITCH:ON-STANDBY:EU	U001	16
M0281031	DC MOTOR:ON-OFF:1.56W	U014	52
		U014_S001	52
M0281148	SHAFT:ON-OFF:SECOND:PRESS FIT	U014_S004	53
M0281178	DC STEPPER MOTOR:REVERSE:0.94W	U013	27
M0525551	PCB:SENSOR	U004	54
M0655715	PCB:CTL:EXP:(for M065)	U016	18
M0656861	DECAL:MODEL NAME PLATE:M065:RIC:(for M065)	U002	5
M0660600	ITB UNIT	U007	10
M0661054	FRAME:LEFT LOWER	U017	60
M0661057	GUIDE PLATE:FUSING:LEFT	U017	36
M0661064	FRAME:RIGHT LOWER	U017	61
M0661065	RAIL:OPTICAL WRITING MD:RIGHT	U017	37
M0661067	GUIDE PLATE:FUSING:RIGHT	U017	38
M0661085	COVER:LEFT LOWER:SMALL	U017	39
M0661086	INNER COVER:DRAWER:INNER BACK	U017	40
M0661091	HINGE:DUPLEX:LEFT:ASS'Y	U017	41
M0661095	HINGE:DUPLEX:RIGHT:ASS'Y	U017	42
M0661096	INNER COVER:DRAWER:FRONT	U017	43
M0661102	DUCT:FUSING	U017	44
M0661104	DUCT:DEVELOPMENT:RIGHT	U017	45
M0661106	DUCT:DRIVE	U017	46
M0661107	DUCT:DEVELOPMENT:LEFT	U017	47
M0661111	DUCT:OPTICAL WRITING MD	U015	50
M0661113	DUCT:EXIT	U017	48
M0661114	BRACKET:PROTECT:HINGE:DUPLEX:RIGHT	U017	49
M0661116	DUCT:TONER SUPPLY	U017	50
M0661117	BRACKET:PROTECT:HINGE:DUPLEX:LEFT	U017	51

Number	Part Name	Group	ID
M0661125	BRACKET:TRANSPORT:NO.1:ASS'Y	U014_S002	54
M0661130	BRACKET:TRANSPORT:NO.2:SUB-ASS'Y	U014_S003	55
M0661135	SHAFT:TRANSPORT	U014	56
M0661137	SHAFT:PAPER FEED	U014	57
M0661150	DRIVE UNIT:DRUM:DEVELOPMENT:TRANSFER:ASS'Y	U014_S001	58
M0661165	DRIVE UNIT:PAPER EXIT SUB-UNIT:NO.1:ASS'Y	U014	59
M0661169	BRACKET:DRIVE UNIT:PAPER EXIT SUB-UNIT:NO.2:ASS'Y	U014	60
M0661176	BRACKET:ON-OFF:SECOND:SUB-ASS'Y	U014	61
M0661186	GUIDE:HARNESS:NO.1	U014	62
M0661187	GUIDE:HARNESS:NO.2	U014	63
M0661188	PULLEY:DRIVE UNIT:FUSING SUB-UNIT:TIGHTENER	U014	64
M0661250	COVER:EXIT	U001	49
M0661252	INNER COVER:RIGHT FRONT	U001	17
M0661253	CAP:INNER COVER:RIGHT FRONT	U001	18
M0661254	COVER:RIGHT	U001	19
M0661255	COVER:UPPER	U001	20
M0661258	INNER COVER:LEFT FRONT	U001	21
M0661260	INNER COVER:LEFT LOWER	U001	22
M0661262	INNER COVER:LEFT REAR	U001	23
M0661263	COVER:LEFT	U001	24
M0661264	COVER:LEFT:SMALL	U001	25
M0661265	PLATE:CONTACT POINT:COVER:LEFT	U001	26
M0661267	COVER:REAR:SMALL	U001	27
M0661271	COIL SPRING:HINGE	U001	28
M0661272	SHAFT:HINGE:COVER:EXIT	U001	29
M0661273	BRACKET:HINGE:UPPER	U001	30
M0661274	BRACKET:HINGE:LOWER	U001	31
M0661275	CAM:HINGE:COVER:EXIT	U001	32
M0661276	COVER:REAR	U001	33
M0661277	COVER:HINGE:EXIT	U001	34

Exclusive Parts

Number	Part Name	Group	ID
M0661278	CAP:BRACKET:HINGE	U001	35
M0661279	COVER:EXIT:LOWER	U001	36
M0661280	BRACKET:COVER:UPPER:LEFT	U001	37
M0661282	BRACKET:COVER:RIGHT:FRONT	U001	38
M0661283	INNER COVER:RIGHT REAR	U001	39
M0661284	LOUVER:COVER:RIGHT	U001	40
M0661285	LOUVER:COVER:RIGHT:FRONT	U001	41
M0661286	FILTER:DEVELOPMENT:ASS'Y	U001	42
M0661288	INNER COVER:RACK	U001	43
M0661291	FILTER:TONER SUPPLY	U001	44
M0661292	FILTER:DRIVE	U001	45
M0661293	SPRING PLATE	U001	46
M0661303	DRUM STAY:PCU:ASS'Y	U017_S001	52
M0661311	LEVER:LOCK:DRUM STAY	U017_S001	53
M0661351	DECAL:DRUM STAY:OPERATE	U017	54
M0661352	DECAL:OPERATE:CAUTION	U017	55
M0661353	DECAL:GUIDE:MAINTENANCE	U017	56
M0661354	DECAL:OPERATE:LOCK	U017	57
M0661355	DECAL:OPERATE:UN LOCK	U017	58
M0661356	DECAL:DRUM STAY:LEVER	U017	59
M0661360	DECAL:OPERATE:TONER SUPPLY :EXP	U001	47
M0661361	DECAL:OPERATE:COVER:LEFT	U001	48
M0661401	OPERATION SUB-UNIT	U002_S001	6
M0661450	COVER:OPERATION SUB-UNIT:AS S'Y	U002_S001	8
M0661456	PCB:LCD:ASS'Y	U002_S001_S001	17
M0661457	COVER:½Ö-:PANEL	U002_S001	9
M0661458	PCB:OPU:MAIN	U002_S001_S001	20
M0661459	PCB:OPU:SW	U002_S001	18
M0661460	KEYTOP:10KEY	U002_S001	10
M0661461	KEYTOP:MENU	U002_S001	11
M0661462	KEYTOP:MAIN	U002_S001	12
M0661465	KEYTOP:RESUME	U002_S001	13
M0661473	SHEET:PREVENTFENCE	U002_S001	15
M0661474	SHEET:HARNESS	U002_S001	16
M0661477	CABLE:FFC:MAIN-SW	U002_S001	19
M0661855	OPTICAL WRITING UNIT:SERVICE	U003_S001	9

Number	Part Name	Group	ID
	PARTS		
M0661972	STAY:CLEANER:SHIELD GLASS:A SS'Y	U003_S001	16
M0661986	DC MOTOR:SHUTTER:ASS'Y	U003	10
M0661988	BRACKET:STUD:SHUTTER:ASS'Y	U003	11
M0661990	COVER:BRACKET:SHUTTER	U003	12
M0661994	GEAR:SHUTTER	U003	13
M0661995	FEELER:SHUTTER	U003	14
M0661998	SEAL:OPTICAL WRITING MD:SHUT TER	U003	15
M0662015	PCU:ZEUS-P1:C:SUPPLY:ASS'Y	U006	4
M0662016	PCU:ZEUS-P1:M:SUPPLY:ASS'Y	U006	5
M0662017	PCU:ZEUS-P1:Y:SUPPLY:ASS'Y	U006	6
M0662490	DECAL:GUIDE:SET:PCU	U015	71
M0662550	PAPER FEED UNIT	U004_S001	55
M0662556	PAPER TRAY:ASS'Y	U004_S002	56
M0662561	GROUND PLATE:FEED	U004_S001	57
M0662562	BRACKET:PAPER VOLUME SENS OR	U004_S001	58
M0662565	GEAR:ROLLER:VERTICAL TRANS PORT	U004_S001	59
M0662566	GEAR:IDLER:VERTICAL TRANSP ORT	U004_S001	60
M0662567	COVER:GEAR:IDLER:VERTICAL T RANSPORT	U004_S001	61
M0662568	ARM:PICKUP	U004_S001	62
M0662570	FEELER:PAPER VOLUME SENSOR	U004_S001	63
M0662571	GROUND PLATE:FRONT	U004_S001	64
M0662574	PLATE:RISE:ASS'Y	U004	65
M0662584	GEAR:SWIVEL:RISE:CONTACT PO INT	U004	66
M0662586	GEAR:IDLER:RISE:NO.1	U004	67
M0662587	GEAR:IDLER:RISE:NO.2	U004	68
M0662588	BRACKET:SWIVEL:RISE	U004	69
M0662592	BRACKET:PAPER FEED UNIT	U004	70
M0662593	SHAFT:PAPER END	U004_S001	71
M0662595	INNER COVER:PAPER SIZE SENS OR	U004	72

Exclusive Parts

Number	Part Name	Group	ID
M0662596	COVER:RISE	U004	73
M0662597	SIDE FENCE:RIGHT:ASS'Y	U004_S002_S001	74
M0662602	GUIDE PLATE:SEPARATE:PAPER TRAY	U004_S002	75
M0662608	GEAR:SHAFT:RISE	U004_S002	76
M0662609	GEAR:IDLER:RISE	U004_S002	77
M0662610	GEAR:COUPLING:RISE	U004_S002	78
M0662613	SIDE FENCE:LEFT:ASS'Y	U004_S002_S002	79
M0662615	LEVER:SIDE FENCE:RIGHT	U004_S002_S001	80
M0662621	BASE:END FENCE	U004_S002	81
M0662622	LEVER:END FENCE	U004_S002	82
M0662624	SHAFT:RISE:ASS'Y	U004_S002	83
M0662625	SHAFT:SEPARATE:DRIVE:ASS'Y	U004_S002	84
M0662627	SHAFT:SEPARATE:DRIVEN:ASS'Y	U004_S002	85
M0662629	COVER:PAPER TRAY:FRONT	U004_S002	86
M0662630	PAPER VOLUME SENSOR BOARD:BASE	U004_S002	87
M0662631	PAPER SIZE SENSOR BOARD	U004_S002	88
M0662632	GRIP:PAPER TRAY	U004_S002	89
M0662635	BRACKET:DRIVE:SEPARATE:ASS'Y	U004_S002	90
M0662638	GEAR:SWIVEL:SEPARATE	U004_S002	91
M0662639	BUSHING:SEPARATE:CONTACT POINT	U004 U004_S002	92 92
M0662642	COVER:SEPARATE:DRIVE	U004_S002	93
M0662643	LEVER:RISE	U004_S002	94
M0662647	SPRING PLATE:PAPER TRAY:ASS'Y	U004	95
M0662678	GUIDE:VERTICAL TRANSPORT	U012	49
M0662680	TENSION SPRING:END FENCE	U004_S002	96
M0662682	ROLLER:VERTICAL TRANSPORT:DRIVE	U004_S001	97
M0662683	SHAFT:FEED	U004_S001	98
M0662684	FEELER:PAPER END	U004_S001	99
M0662685	COVER:HARNESS:PAPER FEED UNIT	U004	100
M0662687	COMPRESSION SPRING:SEPARATE:PRESSURE	U004_S002	101

Number	Part Name	Group	ID
M0662688	COMPRESSION SPRING:LEVER:SIDE FENCE	U004_S002_S001	102
M0662689	TENSION SPRING:SEPARATE:SWIVEL	U004_S002	103
M0662691	DC SOLENOID:PICKUP:ASS'Y	U004_S001_S001	104
M0662695	TENSION SPRING:RISE	U004	105
M0662697	COMPRESSION SPRING:PICKUP:PRESSURE	U004_S001	106
M0662703	GUIDE PLATE:MANUAL FEED:LOWER	U011_S001	18
M0662705	COVER:MANUAL FEED TABLE	U011_S002	44
M0662708	MANUAL FEED TABLE:ASS'Y	U011_S002	43
M0662709	MANUAL FEED UNIT	U011_S001	20
M0662719	GEAR:DRIVE:MANUAL FEED	U011_S001	21
M0662723	TRAY BOTTOM PLATE:MANUAL FEED:SUB-ASS'Y	U011_S001	22
M0662725	GUIDE:BASE:RIGHT	U011_S001	23
M0662726	GUIDE:BASE:LEFT	U011_S001	24
M0662734	MANUAL FEED TABLE	U011_S002	25
M0662735	SIDE FENCE:RIGHT	U011_S002	26
M0662736	SIDE FENCE:LEFT	U011_S002	27
M0662737	RACK:SIDE FENCE	U011_S002	28
M0662739	EXTENSION TRAY:MANUAL FEED	U011_S002	29
M0662743	FRICTION PAD:MANUAL FEED TABLE:18X7.5	U011_S002	30
M0662746	DECAL:SCALE:MANUAL FEED	U011_S002	32
M0662747	DECAL:TRAY:MANUAL FEED:PAPER	U011_S002	33
M0662748	DECAL:TRAY:MANUAL FEED:PAPER SET DIRECTION	U011_S002	34
M0662749	OIL DAMPER:STRAIGHT:30N	U011_S002	35
M0662751	DECAL:MANUAL FEED:CAUTION:SET	U012	50
M0662760	LINK:MANUAL FEED TABLE:ASS'Y	U011_S002	45
M0662771	HOLDER:MANUAL FEED:ASS'Y	U011_S001	36
M0662772	GROUND PLATE:MANUAL FEED	U011_S001	37
M0662773	GUIDE PLATE:MANUAL FEED:UPPER:ASS'Y	U011_S001	38

Exclusive Parts

Number	Part Name	Group	ID
M0662778	FEELER:PAPER END:MANUAL FEED	U011_S001	39
M0662779	HOLDER:FEELER:MANUAL FEED	U011_S001	40
M0662783	CAM:MANUAL FEED	U011_S001	41
M0662784	ROLLER:GUIDE:MANUAL FEED	U011_S001	42
M0662850	DC MOTOR:RISE:2.6W	U004	107
M0662852	SHAFT:SWIVEL:RISE:ASS'Y	U004	108
M0662855	GUIDE PLATE:PAPER TRAY	U004_S002	109
M0662856	TRAY BOTTOM PLATE:ASS'Y	U004_S002_S003	110
M0662858	COVER:PAPER SIZE SENSOR BOARD	U004_S002	111
M0662860	LEVER:PAPER VOLUME SENSOR	U004_S002	112
M0662861	COIL SPRING:EARTH:PAPER TRAY	U004_S002	113
M0662865	GROUND PLATE:SEPARATE:PAPER TRAY	U004_S002	114
M0662866	GROUND PLATE:PAPER TRAY	U004	115
M0662867	GUIDE PLATE:VERTICAL TRANSPORT	U012	51
M0662868	COVER:RISE:PAPER TRAY	U004_S002	116
M0662869	COMPRESSION SPRING:PLATE:SIDE FENCE:FRONT	U004_S002_S002	117
M0662873	PLATE:SIDE FENCE:FRONT	U004_S002_S001	118
		U004_S002_S002	118
M0662874	COMPRESSION SPRING:PLATE:SIDE FENCE:REAR	U004_S002_S002	119
M0662875	RING:GEAR:SEPARATE:SWIVEL	U004_S002	120
M0662876	BRACKET:PHOTOINTERRUPTOR:PAPER VOLUME	U004_S001	121
M0662877	COLLAR:RISE:PAPER TRAY	U004_S002	122
M0662879	PLATE:SIDE FENCE:REAR	U004_S002_S002	123
M0662880	STOPPER:END FENCE	U004_S002	124
M0662881	SHEET:OPPOSED:PHOTO REFLECTION SENSOR	U012	52
M0662890	DECAL:PAPER SET DIRECTION:TRAY:RIGHT	U004_S002	125
M0662891	DECAL:PAPER SET DIRECTION:TRAY:LEFT	U004_S002	126

Number	Part Name	Group	ID
M0662892	DECAL:PAPER TRAY:SIZE INDICATION	ACCESSORIES	2
M0662899	GEAR:SWIVEL:RISE:COUPLING:NO.1	U004	127
M0663202	BASE:TONER SUPPLY:ASS'Y	U005_S001	25
M0663206	GROUND PLATE:DRIVE:TONER SUPPLY	U005_S001	26
M0663231	TORSION SPRING:STOPPER:TONER CARTRIDGE:RIGHT	U005	27
M0663232	TORSION SPRING:STOPPER:TONER CARTRIDGE:LEFT	U005	28
M0663250	TONER HOPPER:TONER SUPPLY:ASS'Y	U005_S002	29
		U005_S003	29
		U005_S004	29
		U005_S005	29
M0663271	DRIVE UNIT:TONER SUPPLY:ASS'Y	U005_S006	30
		U005_S007	30
		U005_S008	30
		U005_S009	30
M0663293	BRACKET:PCB:RFID-CPU	U005	31
M0663294	GROUND PLATE:PCB:RFID	U005	32
M0663340	GUIDE:TONER CARTRIDGE	U005	33
M0664012	FUSING UNIT:EU:MAINTENANCE:ASS'Y	U010_S001	78
M0664282	FUSING COVER:UPPER:ASS'Y	U010_S001_S002	71
M0664295	FUSING COVER:RIGHT:ASS'Y	U010_S001_S001	72
M0664392	DECAL:PICK-UP PAPER JAM:FUSING	U010_S001_S001	73
M0664393	DECAL:H-TEMP WARNING:FUSING:G:3	U010_S001_S001	74
M0664394	DECAL:GRIP:FUSING UNIT:LEFT	U010_S001_S002	75
M0664395	DECAL:GRIP:FUSING UNIT:RIGHT	U010_S001_S002	76
M0664396	DECAL:DESIGN SKETCH:PULL OUT:FUSING UNIT	U010_S001_S001	77
M0664441	DC SOLENOID:EXIT:ASS'Y	U013	28
M0664450	GUIDE:EXIT:UPPER	U013	29
M0664451	GUIDE:EXIT:LOWER	U013	30
M0664452	REVERSE ROLLER	U013	31

Exclusive Parts

Number	Part Name	Group	ID
M0664453	EXIT ROLLER	U013	32
M0664454	TRANSPORT ROLLER:EXIT	U013	33
M0664455	GROUND PLATE:DCSOL:EXIT	U013	34
M0664458	GEAR:PULLEY:Z18/T20	U013	35
M0664459	GEAR:REVERSE:Z18	U013	36
M0664463	LEVER:GATE PAWL:DC SOLENOID	U013	37
M0664465	GATE PAWL:EXIT	U013	38
M0664466	GROUND PLATE:BRACKET:SENSOR:EXIT	U013	39
M0664467	TENSION SPRING:GATE PAWL	U013	40
M0664471	GUIDE PLATE:REVERSE:UPPER	U013	41
M0664472	GUIDE PLATE:REVERSE:LOWER	U013	42
M0664476	BRACKET:REVERSE:DRIVE	U013	43
M0664482	GEAR:IDLER:REVERSE	U013	44
M0664483	SHAFT:FEELER:OVERFLOW	U013	45
M0664485	FEELER:OVERFLOW	U013	46
M0664486	GROUND PLATE:PAPER EXIT UNIT	U013	47
M0664493	SHAFT:DRIVEN:REVERSE ROLLER	U013	48
M0664496	COMPRESSION SPRING:DRIVEN ROLLER:REVERSE	U013	49
M0664498	SYNCHRONOUS BELT:30S2M162	U013	50
M0664600	COVER:INNER	U012	53
M0664601	GROUND PLATE:SENSOR:DUPLEX:EXIT	U012	54
M0664602	GROUND PLATE:DISCHARGE	U012	55
M0664606	PRESSURE PLATE:COVER:INNER	U012	56
M0664650	COVER:OUTER	U012	57
M0664661	DUCT:EXIT:LEFT	U012	58
M0664663	DUCT:EXIT:RIGHT	U012	59
M0664664	SEAL:DUPLEX:DUCT	U012	60
M0664673	LEVER:SAFETY SWITCH:DUPLEX	U012	61
M0664680	GUIDE PLATE:DUPLEX	U012	62
M0664682	INNER COVER:SIDE PLATE:RIGHT	U012	63
M0664683	STOPPER:GUIDE:INNER	U012	64
M0664684	COMPRESSION SPRING:STOPPER:GUIDE:INNER:10N	U012	65

Number	Part Name	Group	ID
M0664685	GROUND PLATE:DUPLEX	U012	66
M0664702	LEVER:PRESSURE RELEASE:LEFT	U012	67
M0664703	HOLDER:LEFT	U012	68
M0664712	LEVER:PRESSURE RELEASE:RIGHT	U012	69
M0664713	HOLDER:RIGHT	U012	70
M0664716	HINGE:DUPLEX:CONTACT POINT:RIGHT	U012	71
M0664717	HINGE:DUPLEX:CONTACT POINT:LEFT	U012	72
M0664723	LEVER:LOCK:OUTER	U012	73
M0664724	GRIP:LEVER:LEFT	U012	74
M0664725	GRIP:LEVER:RIGHT	U012	75
M0664731	DC STEPPER MOTOR:MANUAL FEED:1.6W	U012	76
M0664742	GUIDE:HARNESS:DUPLEX	U012	77
M0664817	GASKET:RFSG-070130:24	U012	78
M0664861	LINK:DUPLEX:MAIN	U012	79
M0664862	LINK:DUPLEX	U012	80
M0664864	BRACKET:DAMPER:RIGHT	U012	81
M0664866	STOPPER:DUPLEX:LEFT	U012	82
M0664867	TORSION SPRING:DAMPER:DUPLEX:EX:63N	U012	83
M0664868	TORSION SPRING:LINK:DUPLEX:RIGHT	U012	84
M0664869	SHAFT:STOPPER:DUPLEX:LEFT	U012	85
M0665101	PCB:BCU	U015	51
M0665124	PCB:BRIDGE	U015	52
M0665150	PCB:RFID-CPU	U005	35
M0665715	PCB:CTL:EXP:(for M066)	U016	19
M0665812	SHADING PLATE:RACK	U015	53
M0665817	GUIDE RAIL:CONTROL UNIT	U015	54
M0665818	GASKET:CTL	U015	55
M0665819	GASKET:RFSG-050100:50	U015	56
M0665822	BRACKET:MAIN SWITCH	U015	57
M0665833	PANEL:CONTROL BOARD	U016	20
M0665836	BRACKET:CHOKE COIL	U015	58

Exclusive Parts

Number	Part Name	Group	ID
M0665837	GUIDE:HARNES:RIGHT REAR	U015	59
M0665838	GUIDE:HARNES:BCU	U015	60
M0665845	DC FAN	U016	21
M0665851	GUIDE:HARNES:POWER PACK	U015	61
M0665852	BRACKET:HEATER:DEHUMIDIFIER	U015	62
M0665883	HOLDER:TERMINAL:DEVELOPME NT	U015	63
M0665884	LEVER:SAFETY SWITCH	U015	64
M0665885	BRACKET:SAFETY SWITCH	U015	65
M0665887	LEVER:SAFETY SWITCH:FRONT	U015	66
M0665892	BRACKET:LEVER:SAFETY SWITC H	U015	67
M0665893	SPRING PLATE:LEVER	U015	68
M0665894	INNER COVER:TERMINAL	U015	69
M0666200	TRANSFER/SEPARATION UNIT	U008	25
M0666483	SHAFT:GEAR:IDLER:COLLECTION BOTTLE	U009	11
M0666484	COLLAR:IDLER:COLLECTION BOT TLE	U009	12
M0666490	BRACKET:DRIVE:COLLECTION BO TTLE	U009	13
M0666861	DECAL:MODEL NAME PLATE:M066 :RIC:(for M066)	U002	7
M0668426	SD-CARD:ELP-NX:ASS'Y	ACCESSORIES	3
M0669590	NVRAM - ZERO COUNTER	U016	25
M0805320	HDD:160GB:MK1676GSX:(for M066)	U016	26
M3842586	GEAR:SWIVEL:RISE:COUPLING:N O.2	U004	128
M3842587	COLLAR:GEAR:RISE	U004	129
N6074550	CHOKE COIL:RITL-0107	U015	70
VSSM9000	DIGITAL MULTIMETER-FLUKE189/ FVF	SPECIAL TOOLS	9

Standard Parts



03530030N
SCREW:M3X3



03530050N
SCREW-M3X5



03530060N
BIND SCREW - M3X6



03530080N
SCREW:M3X8



03603006N
SCREW - M3X6



04503010N
TAPPING SCREW - M3X10



04503025N
TAPPING SCREW:3X25



04503035N
TAPPING SCREW:3X35



04513006N
TAPPING SCREW - 3X6



04513008N
TAPPING SCREW - M3X8



04513014N
TAPPING SCREW:3X14



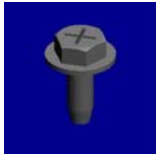
04523010N
BINDING SELF-TAPPING SCREW:3X10



04523012N
BINDING SELF-TAPPING SCREW:M3X12



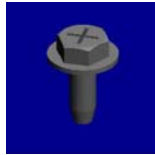
04533006N
TAPPING SCREW - M3X6



04543006N
TAPPING SCREW:ROUND POINT:3X6



04543006Q
TAPPING SCREW - M3X6



04543008N
TAPPING SCREW:ROUND POINT:3X8



04543008Q
TAPPING SCREW:3X8



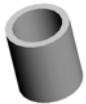
04543012N
TAPPING SCREW:ROUND POINT:3X12



04543025Q
TAPPING SCREW:ROUND POINT:3X25



06320120G
PARALLEL PIN - 2X12



07074060N
BUSHING:DIA4X6



07200030E
RETAINING RING - M3



07200040E
RETAINING RING - M4



07200060E
RETAINING RING - M6



07250120E
RETAINING RING C - M12



07250170E
RETAINING RING C - M17



07250200E
RETAINING RING C - M20

Standard Parts



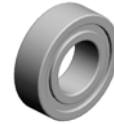
07270080E
RETAINING RING - M8



07330408
BUSHING:4X8



07403008
BALL BEARING - 8X22X7



07403808
BALL BEARING - 8X16X5MM



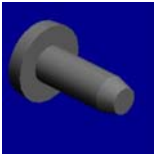
08010236
HEXAGONAL BOLT:DOUBLE
SCREW:M4X8



08010237
HEXAGONAL BOLT:DOUBLE
SCREW:M4X12



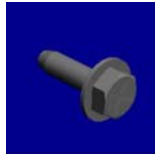
08025305
TAPPING SCREW - M3X6



08025317
BINDING HEAD TAPPING SC
REW:ES:3X8



08025318
BINDING HEAD TAPPING SC
REW:ES:3X10



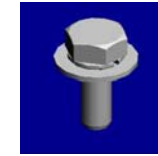
08025319
HEXAGON HEAD TAPPING S
CREW:ES:3X8



08025320
HEXAGON HEAD TAPPING S
CREW:ES:3X10



08025322
HEXAGON HEAD TAPPING S
CREW:ES:3X12



08046127
HEXAGONAL BOLT:DOUBLE
SCREW:M3X8



08046128
HEXAGONAL BOLT:DOUBLE
SCREW:M3X10



08050088
RETAINING RING - M6



08050089
RETAINING RING - M4



08050092
RETAINING RING - 3M



09543010N
SCREW:POLISHED ROUND/
SPRING:M3X10



11050328
HARNESS CLAMP - ES-0505



11050487
HARNESS CLAMP



11050488
HARNESS CLAMP



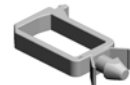
11050508
HARNESS CLAMP - LWS-071
1



11050511
HARNESS CLAMP - LWS-030
6ZC



11050516
CLAMP



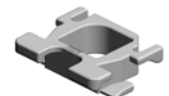
11050517
HARNESS CLAMP - LWS-211
1Z



11050522
EDGE SADDLE - LES0510



11050534
CLAMP



11050551
CLAMP:LES-0505

Standard Parts



11050692
CLAMP:LES-0503



11050713
CLAMP:LWSM-0306H GRAY



11050723
CLAMPS:WES-0507



11050724
CLAMPS:WES-1210



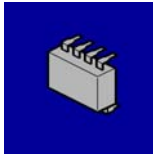
11500432
POWER SUPPLY CODE:250V
:10A:EU



12042521
MICRO SWITCH



12042537
ROCKER SWITCH:AC250V/10
A:BLACK



14077153
EEPROM:AT24C64C-PU:64K

Design Change List

Number	Title	Set	Old Part		New Part		Index No.		Q'ty	Interchg		Reason	Cut-in S/N
			P/N	Name	P/N	Name	Group	ID		Indiv.	Set		
201202-01	1202 Modification	-			M0661459	PCB:OPU:SW	U002_S001	18	1				M06527:
201202-02	1202 Modification	-			M0661458	PCB:OPU:MAIN	U002_S001_S001	20	1				M06527:
201202-03	1202 Modification	-			M0661465	KEYTOP:RESUME	U002_S001	13	1				M06527:
201202-04	1202 Modification	-			M0661461	KEYTOP:MENU	U002_S001	11	1				M06527:
201202-05	1202 Modification	-			M0661462	KEYTOP:MAIN	U002_S001	12	1				M06527:
201202-06	1202 Modification	-			M0662490	DECAL:GUIDE:SET:PCU	U015	71	1				M06527:
201202-08	1202 Modification	-			M0661460	KEYTOP:10KEY	U002_S001	10	1				M06527:
201202-09	1202 Modification	-			M0661457	COVER:½Ó-;PANEL	U002_S001	9	1				M06527:
201202-10	1202 Modification	-			M0661450	COVER:OPERATION SUB-UNIT:ASS'Y	U002_S001	8	1				M06527:
201202-11	1202 Modification	-			M0661477	CABLE:FFC:MAIN-SW	U002_S001	19	1				M06527:
201202-12	1202 Modification	-			M0661473	SHEET:PREVENTENCE	U002_S001	15	1				M06527:
201202-13	1202 Modification	-			M0661474	SHEET:HARNES	U002_S001	16	1				M06527:
201202-14	1202 Modification	-			M0661456	PCB:LCD:ASS'Y	U002_S001_S001	17	1				M06527:
201202-15	1202 Modification	-	M0662744	LINK:MANUAL FEED TABLE	M0662760	LINK:MANUAL FEED TABLE:ASS'Y	U011_S002	45	1	X/O			M06527:
201202-16	1202 Modification	-	M0805321	HDD:OPTION:160GB:MK1676GSX:(for M066)	M0805320	HDD:160GB:MK1676GSX:(for M066)	U016	26	1				M06527:
201202-17	1202 Modification	-	M0663270	DRIVE UNIT:TONER SUPPLY	M0663271	DRIVE UNIT:TONER SUPPLY:ASS'	U005_S006	30	1	X/O			M06527:

Design Change List

Number	Title	Set	Old Part		New Part		Index No.		Q'ty	Interchg		Reason	Cut-in S/N
			P/N	Name	P/N	Name	Group	ID		Indiv.	Set		
		-				Y							
			M0663270	DRIVE UNIT:TON ER SUPPLY	M0663271	DRIVE UNIT:TON ER SUPPLY:ASS' Y	U005_S007	30	1	X/O			
			M0663270	DRIVE UNIT:TON ER SUPPLY	M0663271	DRIVE UNIT:TON ER SUPPLY:ASS' Y	U005_S008	30	1	X/O			
			M0663270	DRIVE UNIT:TON ER SUPPLY	M0663271	DRIVE UNIT:TON ER SUPPLY:ASS' Y	U005_S009	30	1	X/O			
201108-01	1108 Modification	-	M0662011	PCDU:C	M0662015	PCU:ZEUS-P1:C: SUPPLY:ASS'Y	U006	4	1	O/O			M06527:
201108-02	1108 Modification	-	M0662012	PCDU:M	M0662016	PCU:ZEUS-P1:M: SUPPLY:ASS'Y	U006	5	1	O/O			M06527:
201108-03	1108 Modification	-	M0662013	PCDU:Y	M0662017	PCU:ZEUS-P1:Y: SUPPLY:ASS'Y	U006	6	1	O/O			M06527:
201108-04	1108 Modification	-	M0662744	LINK:MANUAL FE ED TABLE	M0662760	LINK:MANUAL FE ED TABLE:ASS'Y	U011_S002	45	1	X/O			M06527:
201108-05	1108 Modification	-	M0662704	COVER:MANUAL FEED TABLE	M0662705	COVER:MANUAL FEED TABLE	U011_S002	44	1	X/O			M06527:
201108-06	1108 Modification	-	M3085130	HDD:80GB:MHZ2 080BH:FUJITSU	M0805321	HDD:OPTION:160 GB:MK1676GSX:(for M066)	U016	26	1	X/O			M06527:
201104-01	1104 Modification	-	M0669591	NVRAM - ZERO COUNTER FRAM -1			U016	22	1				M06527:
201104-02	1104 Modification	-	M0669592	NVRAM - ZERO COUNTER FRAM -2			U016	23	1				M06527:
201104-03	1104 Modification	-			M0669590	NVRAM - ZERO	U016	25	1				M06527:

Design Change List

Number	Title	Set	Old Part		New Part		Index No.		Q'ty	Interchg		Reason	Cut-in S/N
			P/N	Name	P/N	Name	Group	ID		Indiv.	Set		
		-				COUNTER							
201104-04	1104 Modification	-	M0665154	PCB:RFID-CPU	M0665150	PCB:RFID-CPU	U005	35	1	X/O			M06527:
201104-06	1104 Modification	-			M0662708	MANUAL FEED TABLE:ASS'Y	U011_S002	43	1				M06527:
201104-07	1104 Modification	-			M0661250	COVER:EXIT	U001	49	1				M06527:
201104-08	1104 Modification	-			M0661054	FRAME:LEFT LOWER	U017	60	1				M06527:
201104-09	1104 Modification	-			M0661064	FRAME:RIGHT LOWER	U017	61	1				M06527:
201104-10	1104 Modification												M06527:
201104-11	1104 Modification	-			M0266154	DISC:ENCODER:150LPI:250CT	U007	19	1				M06527:
201104-13	1104 Modification	-	GW230008	TONER END SENSOR			U005_S002	17	1				M06527:
							U005_S003	17	1				
							U005_S004	17	1				
							U005_S005	17	1				
201104-14	1104 Modification	-	D0396134	DC MOTOR:ON-OFF:ASS'Y			U005_S006	8	1				M06527:
							U005_S007	8	1				
							U005_S008	8	1				
							U005_S009	8	1				
201104-15	1104 Modification	-			G1026136	GRIP:INTERMEDIATE TRANSFER:LEFT	U007	12	1				M06527:
201104-16	1104 Modification	-			G1026137	GRIP:INTERMEDIATE TRANSFER:RIGHT	U007	13	1				M06527:
201104-17	1104 Modification	-			G1026140	COVER:INTERMEDIATE TRANSFER	U007	14	1				M06527:

Design Change List

Number	Title	Set	Old Part		New Part		Index No.		Q'ty	Interchg		Reason	Cut-in S/N
			P/N	Name	P/N	Name	Group	ID		Indiv.	Set		
201104-19	1104 Modification	-			G1026190	GUIDE:FRONT:INTERMEDIATE TRANSFER:ASS'Y	U007	15	1				M06527:
201104-20	1104 Modification	-			G1023865	GUIDE:LEFT:INTERMEDIATE TRANSFER	U007	11	1				M06527:
201104-21	1104 Modification	-			M0266150	HOLDER:ENCODER:ASS'Y	U007	16	1				M06527:
201104-22	1104 Modification	-			M0266152	COVER:ENCODER	U007	17	1				M06527:
201104-23	1104 Modification	-			M0266153	PCB:INTERMEDIATE TRANSFER:ENCODER	U007	18	1				M06527:
201104-24	1104 Modification	-			M0266155	COLLAR:ENCODER	U007	20	1				M06527:
201104-26	1104 Modification	-			M0266463	FEELER:USED TONER SENSOR	U009	15	1				M06527:
201104-28	1104 Modification	-			GA152022	ENTRANCE SEAL:COLLECTION BOTTLE:PCU:ASS'Y	U009	14	4				M06527:
201104-29	1104 Modification	-			M0266467	ENTRANCE SEAL:COLLECTION BOTTLE:INTERMEDIATE TRANSFER:ASS'Y	U009	16	1				M06527:
201104-30	1104 Modification	-			M0661972	STAY:CLEANER:SHIELD GLASS:ASS'Y	U003_S001	16	1				M06527:
201104-31	1104 Modification	-			M0664012	FUSING UNIT:EU	U010_S001	78	1				M06527:

Design Change List

Number	Title	Set	Old Part		New Part		Index No.		Q'ty	Interchg		Reason	Cut-in S/N
			P/N	Name	P/N	Name	Group	ID		Indiv.	Set		
		-				:MAINTENANCE: ASS'Y							
201104-37	1104 Modification (for M066)	-	M0266336	DENSITY SENSO R	M0266166	DENSITY SENSO R:ASS'Y	U008	26	1				M06527:

