

Digital Color Copiers
(M018/M019-EU)
Parts Catalog

Parts change information sample

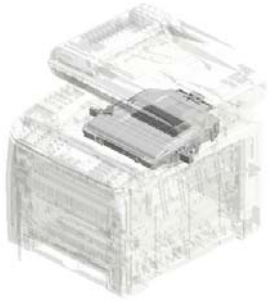
 **Add**

 **Update**

 **Delete**

Model	Product Code	PC Style
Digital Color Copiers	M018/M019	3D
Paper Feed Unit Type TK1010	G849	Traditional

Unit All



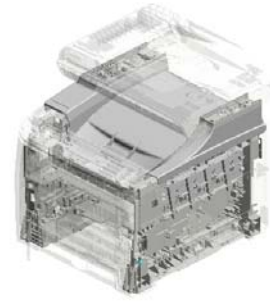
U001
Laser Unit



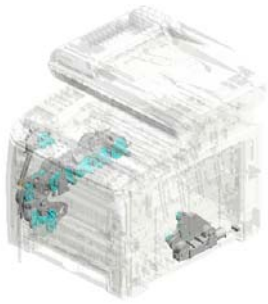
U002
Fusing



U003
ADF



U004
Main Frame



U005
Main Drive



U006
Exterior



U007
Operation



U008
Scanner



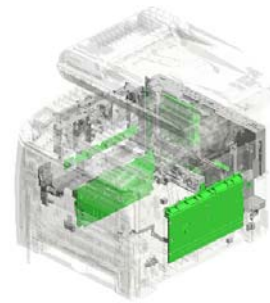
U009
Paper Feed



U010
Transport



U011
Paper Exit



U012
Electrical

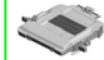
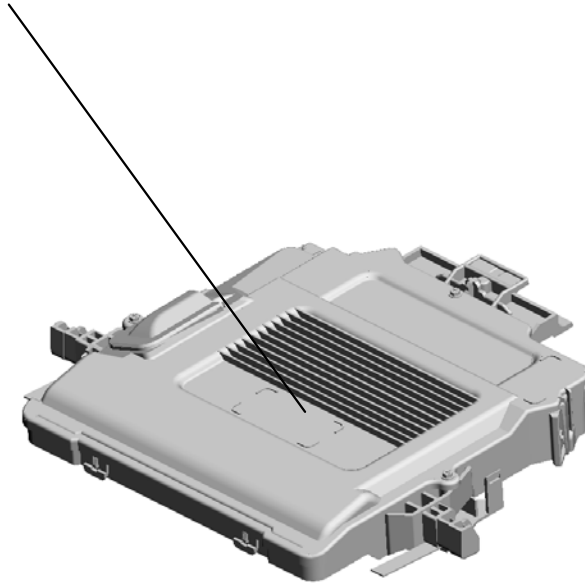
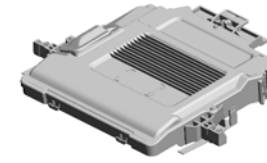
Unit All



U013
INTERMEDIATE TRANSFER UNIT

U001
Laser Unit

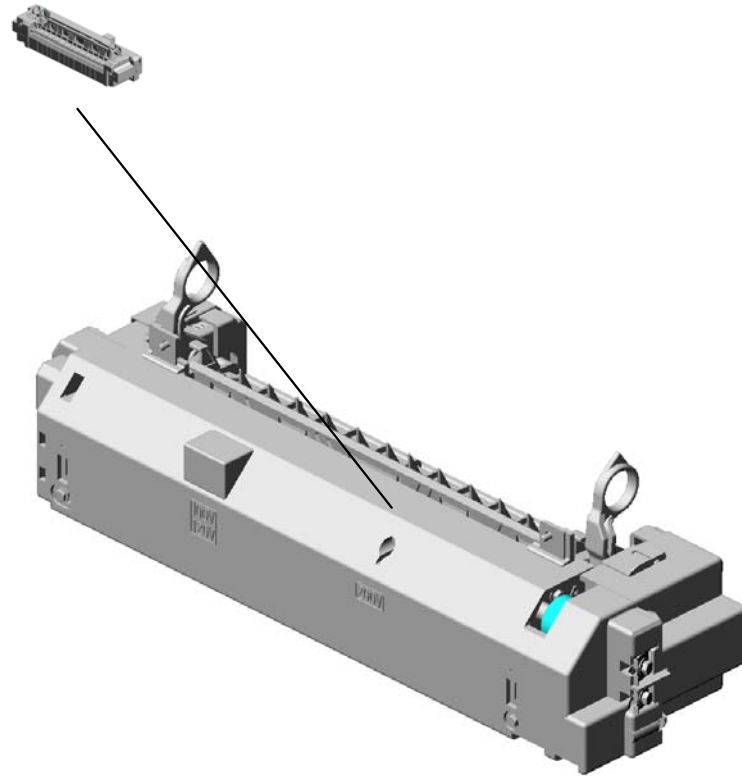
1.G1661852
[A]
IMAGING UNIT:AS
S'Y
201506-01 O/O



G1661851
[A]
IMAGING UNIT:AS
S'Y
201506-01 O/O

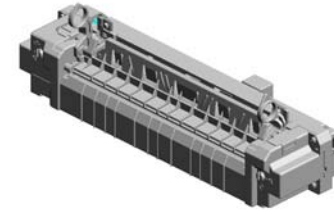
U002.Fusing

U002_S001
G1664027
FUSING UNIT - 220V



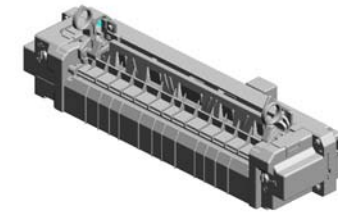
U001	U002	U003	U004	U005	U006	U007	U008	U009	U010	U011	U012	U013
------	-------------	------	------	------	------	------	------	------	------	------	------	------

U002
Fusing



U001	U002	U003	U004	U005	U006	U007	U008	U009	U010	U011	U012	U013
------	------	------	------	------	------	------	------	------	------	------	------	------

U002_S001 FUSING UNIT - 220V



24.G1664027
[A]
FUSING UNIT - 220V
201303-01 O/O

2.07200040E RETAINING RING - M4
20.GB013068 IDLE GEAR - 20Z
18.G1664323 (x2) TORSION SPRING - STRIPPER PLATE
12.G1664088 GUIDE PLATE - FUSING EXIT
9.G1664066 FRONT COVER - FUSING UNIT

15.G1664289 LEFT COLLAR- STRIPPER PLATE

5.AA143801 (x2) SCREW:M4:EXTERIOR

16.G1664291 LEFT POSITIONING PLATE - STRIPPER

21.GB017053 IDLE GEAR - 15/25Z

6.C2175102 (x2) SPRING WASHER

11.G1664072 FUSING ENTRANCE GUIDE - LOWER

10.G1664071 FUSING ENTRANCE GUIDE - UPPER

13.G1664286 STRIPPER PLATE

22.GX450003 FUSING LAMP - 230V 1000W

8.G1664055 REAR COVER - FUSING UNIT

3.09573010N (x2) SCREW:SMALL ROUND/SPRING:M3X10

14.G1664288 RIGHT COLLAR- STRIPPER PLATE

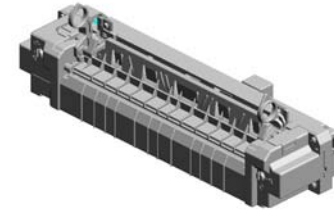
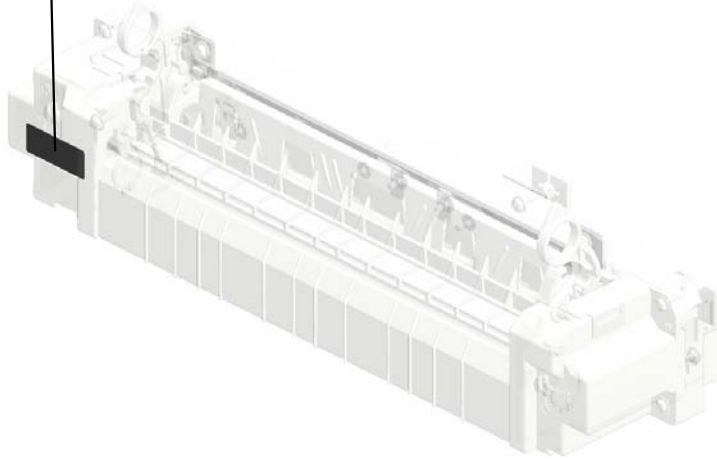
17.G1664292 RIGHT POSITIONING PLATE - STRIPPER

4.AA143520 (x2) SHOULDER SCREW - M3

1.04503010N (x7) TAPPING SCREW - M3X10

U002_S001
FUSING UNIT - 220V

23.G1664310
DECAL:WARNING (HIGH TEMPERATU
RE):1:CUD
201009-01 X/O

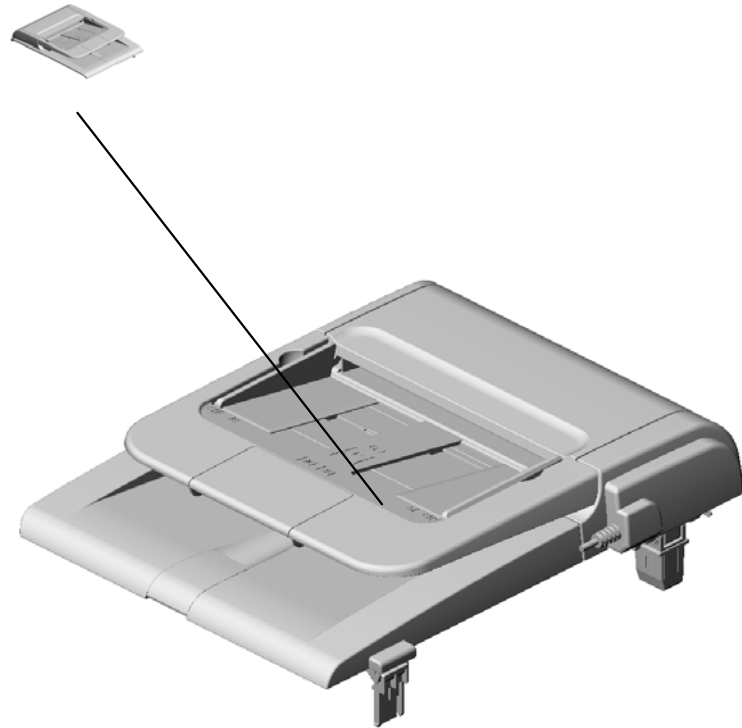


24.G1664027
[A]
FUSING UNIT - 220
V
201303-01 O/O

G1664013
[A]
FUSING UNIT - 220
V
201303-01 O/O

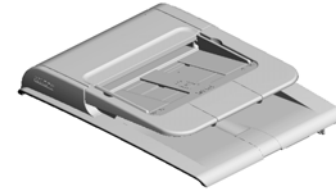
U003.ADF

U003_S001
G1831630
ADF:ASS'Y



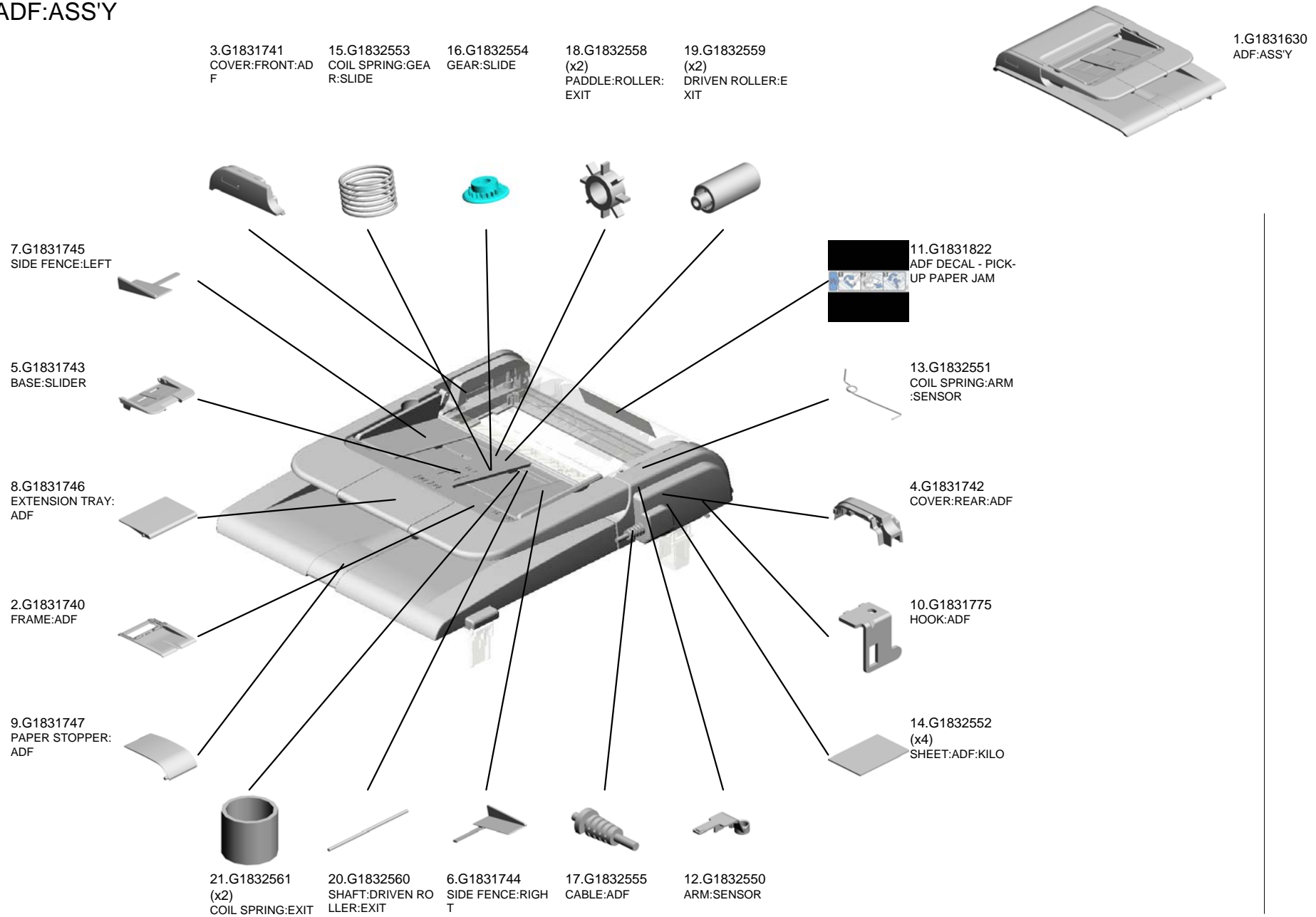
U001	U002	U003	U004	U005	U006	U007	U008	U009	U010	U011	U012	U013
------	------	------	------	------	------	------	------	------	------	------	------	------

U003
ADF

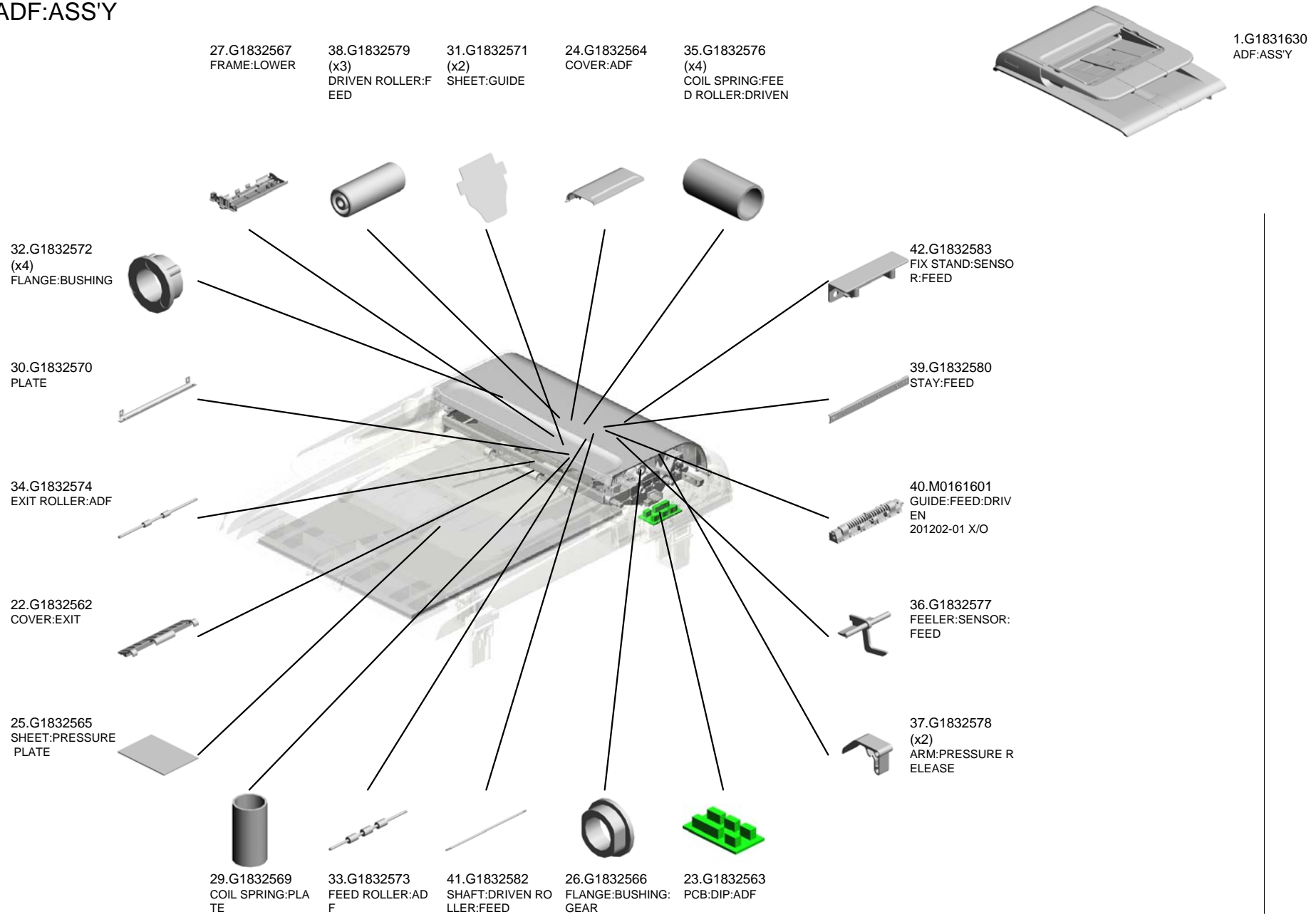


U001	U002	U003	U004	U005	U006	U007	U008	U009	U010	U011	U012	U013
------	------	------	------	------	------	------	------	------	------	------	------	------

U003_S001
ADF:ASS'Y

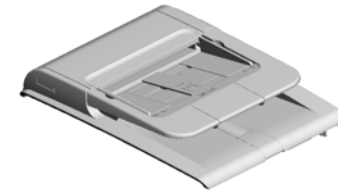


U003_S001
ADF:ASS'Y



U003_S001
ADF:ASS'Y

59.G1832601 SEPARATION PAD: ADF
 60.G1832602 FRAME:UPPER
 56.G1832598 ROLLER:BACK UP: FEED
 62.G1832604 FEELER:SET SENS OR
 44.G1832585 SHEET:FEELER:FE ED



1.G1831630
ADF:ASS'Y

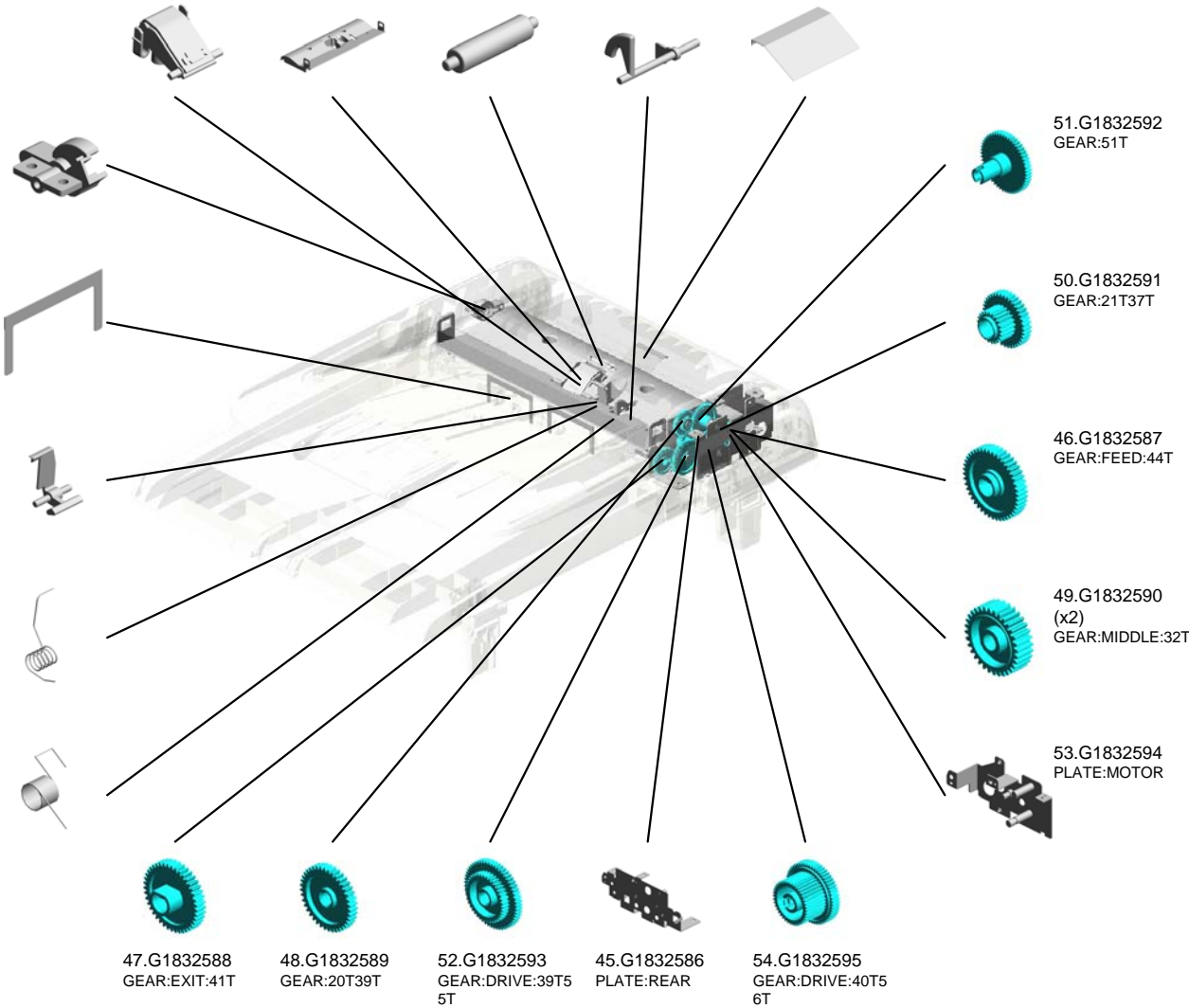
63.G1832605
HOLDER:SEPARAT ION UNIT

64.G1832606
(x2)
SHEET:STOPPER: EXIT

58.G1832600
SHUTTER:PAPER

57.G1832599
COIL SPRING:SHU TTER:PAPER

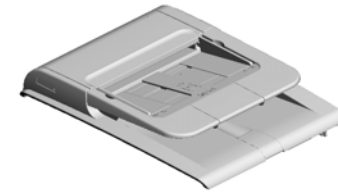
61.G1832603
COIL SPRING:FEE LER:SET SENSOR



U003_S001
ADF:ASS'Y

66.G1832608
SEPARATION UNIT
:ADF

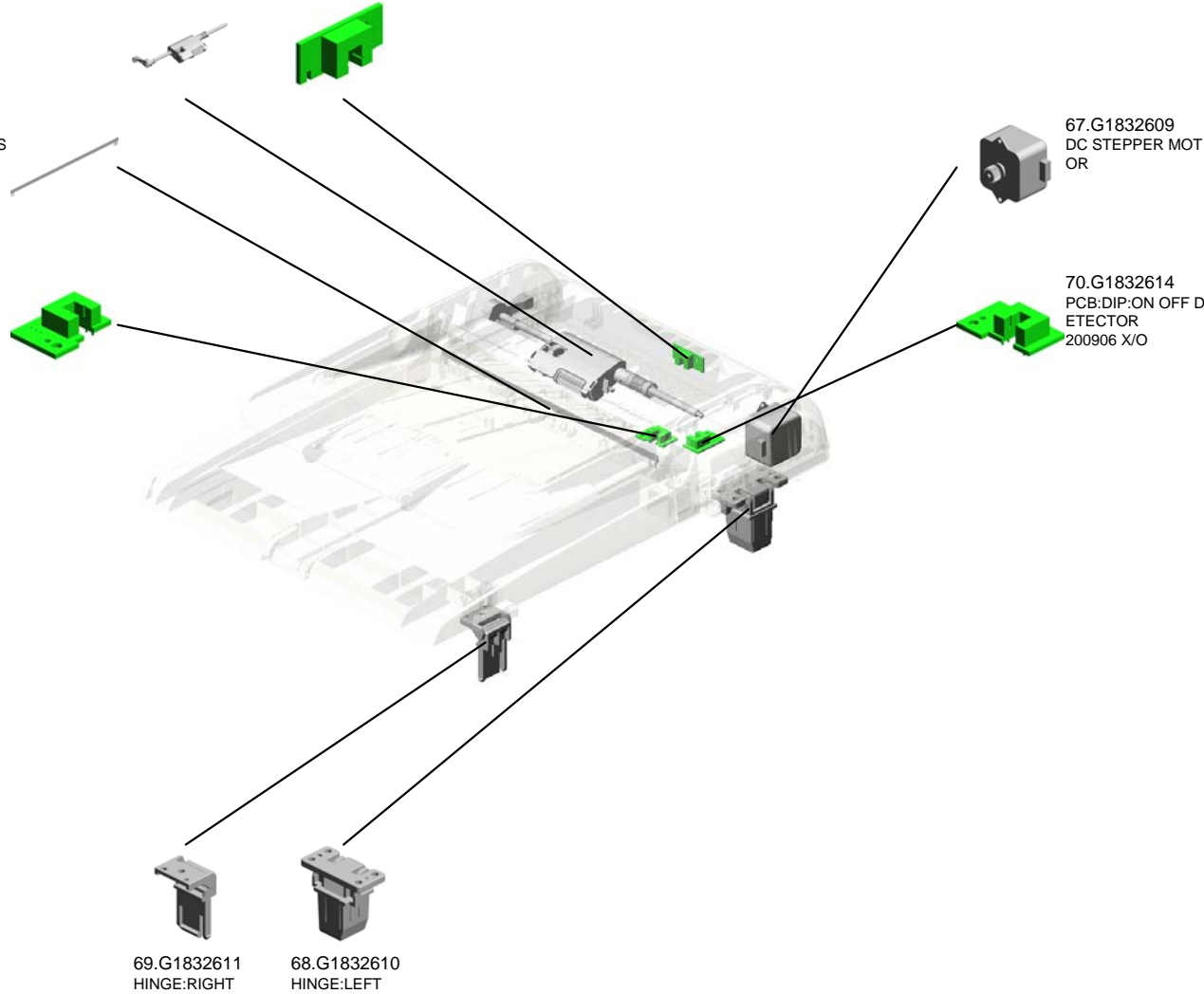
72.G1832613
PCB:DIP:FEED
200908 X/O



1.G1831630
ADF:ASS'Y

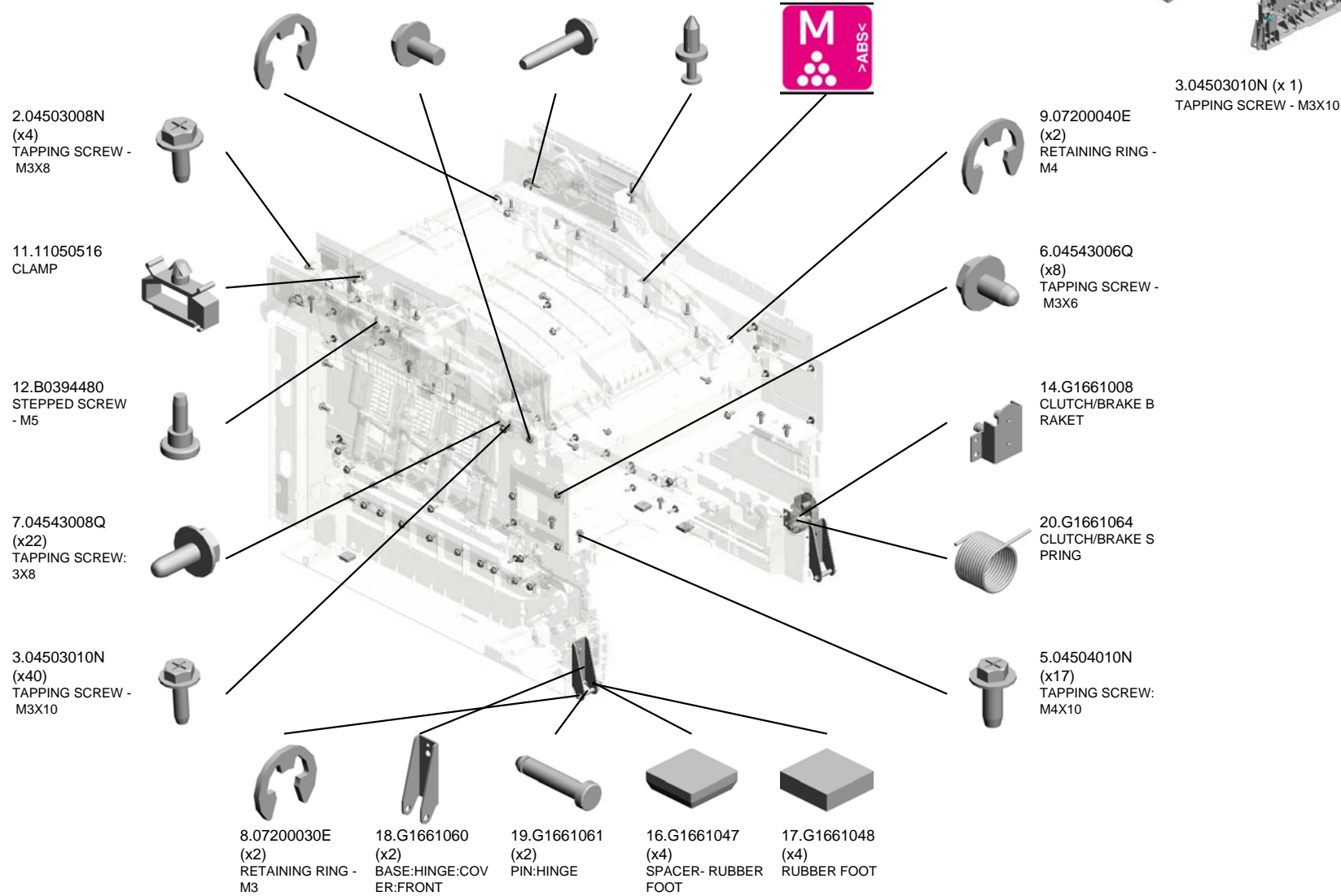
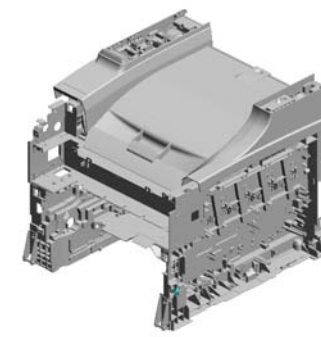
65.G1832607
DISCHARGE BRUS
H:EXIT

71.G1832612
PCB:DIP:SET SEN
SOR
200908 X/O

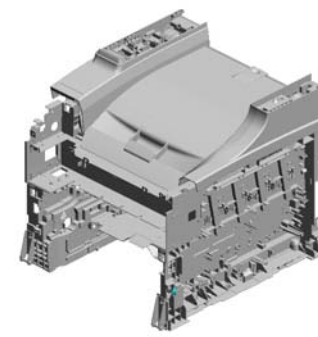


U004 Main Frame

- 10.07200060E (x4) RETAINING RING - M6
- 1.03603006N (x2) SCREW - M3X6
- 4.04503016N (x4) TAPPING SCREW: 3X16
- 13.B1251474 RIVET:MM5
- 15.G1661046 COLOR DECAL - M AGENTA



U004 Main Frame



- 32.G1661083 GROUNDING PLATE - HIGH VOLTAGE
- 27.G1661071 FRAME:UPPER RIGHT
- 35.G1661086 (x2) BRACKET:OPTICAL UNIT:FRAME:UPPER
- 28.G1661072 (x4) SPRING:PLATE:AI O
- 36.G1661087 (x2) SPRING:CUSHION:FRAME:UPPER

29.G1661073
SHAFT

31.G1661081
TWIST SPRING - LEFT

26.G1661070
FRAME:UPPER LEFT

30.G1661078
(x2)
COMPRESSION SPRING

39.G1661090
GROUND PLATE - DCHIP

40.G1661091
GROUND PLATE - POWER SUPPLY UNIT

37.G1661088
UPPER FRONT DUCT

24.G1661068
FUSING DUCT

22.G1661066
CLUTCH/BRAKE CASE

21.G1661065
CLUTCH SPRING

33.G1661084
(x4)
SPRING:PLATE:AI O:BLACK

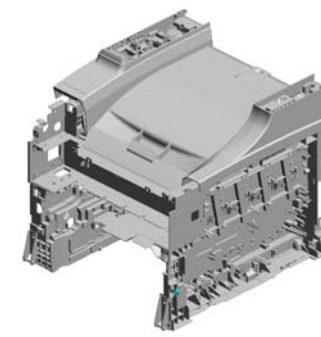
38.G1661089
(x8)
PIN:PLATE:DEVELOPMENT UNIT

25.G1661069
RACK SUPPORTER

41.G1661093
GEAR - 20Z

23.G1661067
GEAR - 14Z

U004 Main Frame



- 47.G1661281 BASE - EXIT END FENCE
- 48.G1661282 REAR END FENCE - EXIT
- 49.G1661283 FRONT END FENCE - EXIT
- 51.G1661343 KEY:FUSING
- 50.G1661323 (x3) SHEET:FRAME:RIGHT

52.G1661382 BRACKET:BRAKE:COVER:UPPER

46.G1661280 CUSHION - IMAGING UNIT

44.G1661097 GROUND PLATE - LEFT

45.G1661112 GEAR COVER

58.G1662588 HOLDER:PAPER TRAY:POSITIONING



53.G1661389 DECAL - HIGH VOLTAGE



43.G1661096 GROUND PLATE - FRONT



60.G1662597 SPRING PLATE:RESISTOR:BASE:LOWER



57.G1662586 FEELER HOLDER



56.G1662585 FEELER - PAPER END SENSOR

61.G1662598 SPRING PLATE:RESISTOR:BASE:UPPER

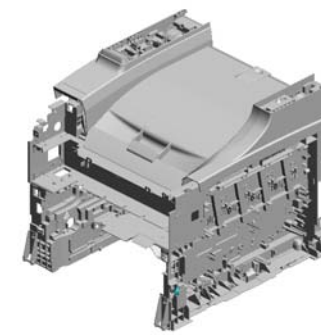
59.G1662596 HOLDER:RESISTOR:BASE

42.G1661095 (x3) SHEET:BASE:FRAME

54.G1662582 GROUNDING SPRING

55.G1662583 SPRING PLATE:PAPER TRAY:POSITIONING

U004 Main Frame



- 81.G1831060 SEPARATION PLATE - SLIDE
- 68.G1665706 GROUND PLATE:SHAFT:IMAGING UNIT
- 77.G1831053 RIGHT TORSION SPRING - ARM
- 75.G1831051 RIGHT SLIDE ARM
- 79.G1831055 SLIDE RAIL:RIGHT

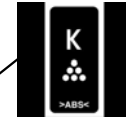
69.G1665724
HARNESS CLAMP
HOLDER

80.G1831056
HINGE - TORQUE LIMITER

76.G1831052
LEFT TORSION SPRING - ARM

74.G1831050
LEFT SLIDE ARM

78.G1831054
SLIDE RAIL:LEFT



62.G1663331
DECAL - BLACK
200910 X/O

67.G1663994
RESISTOR - 50M OHM
HM +/-10% 0.5W

72.G1665758
GROUND PLATE -
OUTPUT

70.G1665756
RESISTORHOLDER -
EXIT

71.G1665757
GROUND PLATE -
INPUT



65.G1663866
GROUND PLATE:REGISTRATION
ROLLER

63.G1663333
DECAL - CYAN
200910 X/O

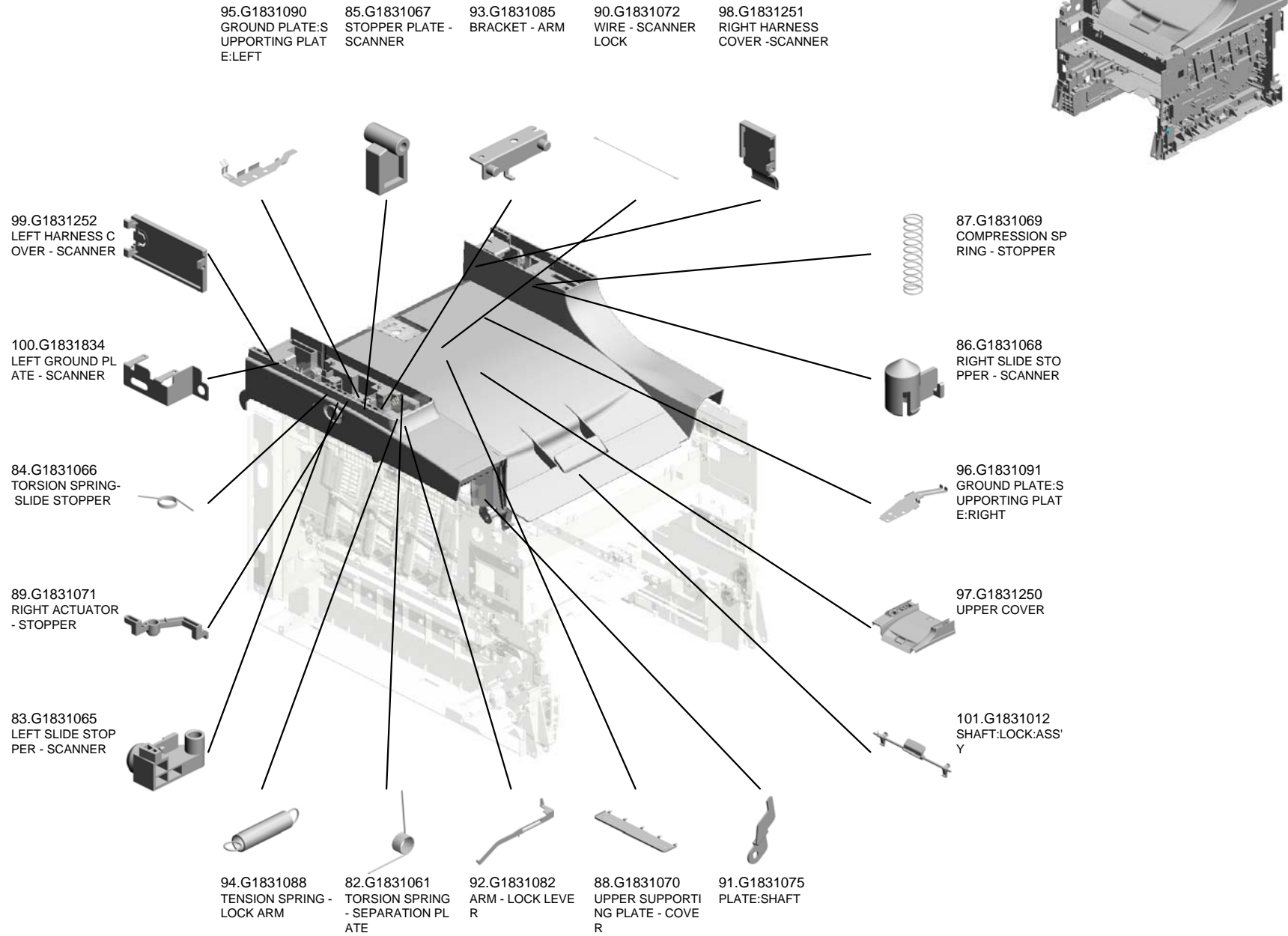
66.M0963993
RESISTOR: EARTH:
PAPER FEED
201111-02 O/O

73.G1666592
(x2)
SPRING PLATE -
COLLECTION BOTTLE



64.G1663334
DECAL - YELLOW
200910 X/O

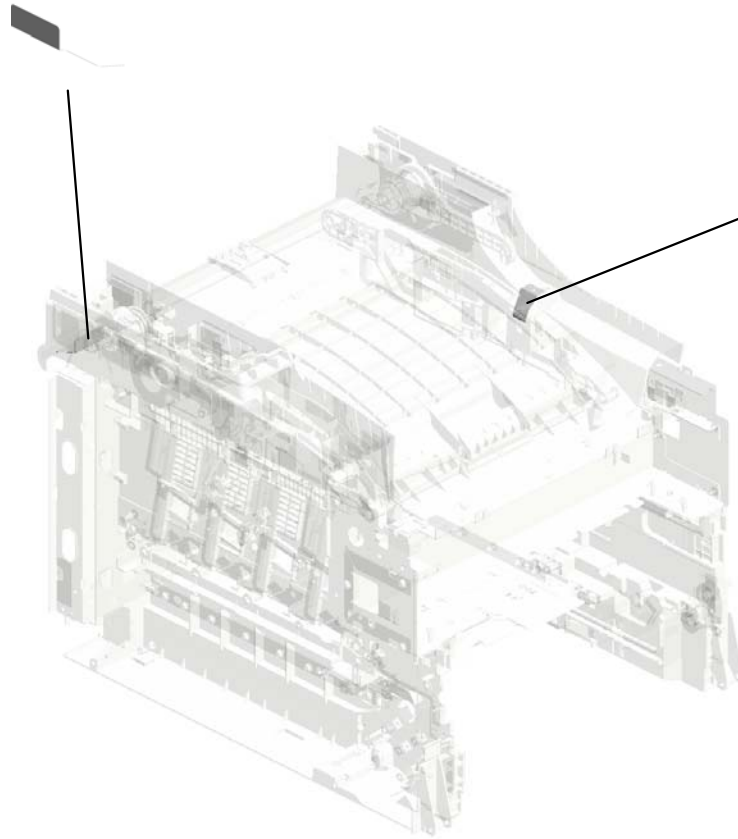
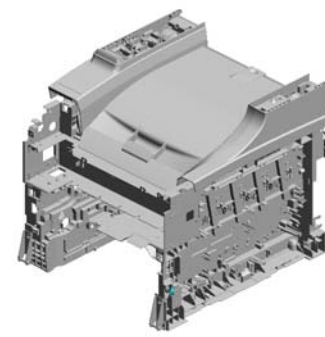
U004 Main Frame



U001	U002	U003	U004	U005	U006	U007	U008	U009	U010	U011	U012	U013
------	------	------	------	------	------	------	------	------	------	------	------	------

U004
Main Frame

102.M0185757
HARNES COVER
SHEET:ADF
201009-02

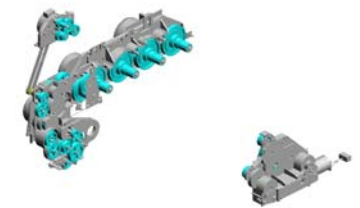


103.M1981085
SPRING PLATE:LS
U:POSITIONING
201309-01 X/O

U001	U002	U003	U004	U005	U006	U007	U008	U009	U010	U011	U012	U013
------	------	------	------	------	------	------	------	------	------	------	------	------

U005 Main Drive

- 5.04503010N (x15) TAPPING SCREW - M3X10
- 15.G1661123 FRAME - ON-OFF DRIVE UNIT
- 1.03530030N (x6) SCREW:M3X3
- 10.AA082101 (x2) BUSHING - 6X10X6
- 3.03530060N (x2) BIND SCREW - M3 X6



16.G1661125 SHIELDING PLATE

18.G1661135 MOTOR - DC24V 1.6W

13.G1661118 GROUNDING WIRE

14.G1661119 (x2) MOTOR BRACKET

17.G1661131 DC MOTOR - DC24 V 5.3W

4.03603006N (x3) SCREW - M3X6

11.G1661104 SHIELDING PLATE

12.G1661111 FRAME - TRANSP R DRIVE UNIT

19.G1661139 FRAME - TRANSP ORT DRIVE UNIT

8.11024473 CT CONNECTOR - 2P

6.04543006Q (x2) TAPPING SCREW - M3X6

7.08050089 (x3) RETAINING RING - M4

2.03530040N (x9) SCREW - M3X4

20.G1661151 MOTOR BRACKET

9.11050516 CLAMP

U005 Main Drive

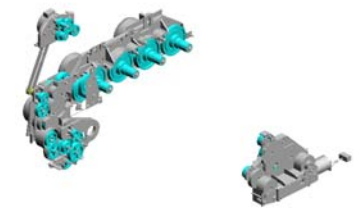
38.GB011108
(x2)
GEAR - 21Z

28.GA145014
SHAFT - 6 X 55.3M
M

23.G1665745
HARNESS COVER

22.G1661194
FRAME - DUPLEX
DRIVE UNIT

24.GA043030
TIMING BELT - 60S
2M280



33.GB011102
GEAR - 19/38Z



29.GA148016
SHAFT - 6 X 26.7M
M



25.GA132101
(x5)
SPACER - 0.13 X 1
2MM



31.GB010121
GEAR:AIO:DRIVE:1



26.GA132102
(x2)
SPACER - 0.13 X 1
0MM



39.GB011109
(x2)
GEAR - 28Z



35.GB011104
GEAR - 20/35Z



21.G1661152
GROUNDING PLAT
E



37.GB011106
GEAR - 22/31Z



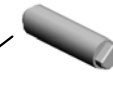
36.GB011105
GEAR - 29Z



27.GA145013
SHAFT - 6 X 39.5M
M



30.GA148018
(x2)
SHAFT - 6 X 21.9M
M



32.GB011101
GEAR - 37Z



40.GB011110
GEAR - 31Z

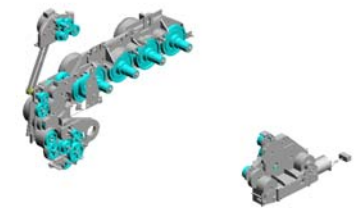


34.GB011103
GEAR - 28/36Z



U005 Main Drive

47.GB013115 GEAR - 21Z
 48.GB013117 GEAR - 19Z
 42.GB011112 GEAR - 29Z
 41.GB011111 GEAR - 19Z
 53.GB017109 GEAR - 16/42Z



46.GB013114
GEAR - 35Z



60.GB030036
(x2)
PULLEY - 18T



58.GB017116
GEAR - 17/42Z



45.GB012102
GEAR - 54Z



56.GB017112
GEAR - 21/73Z



52.GB017104
GEAR - 24/57Z



57.GB017113
GEAR - 40/65Z



51.GB017103
GEAR - 21/45Z



55.GB017111
(x2)
GEAR - 16/51Z



43.GB011118
REGIST DRIVE GE
AR



54.GB017110 GEAR - 22/99Z CYA
N
 44.GB012101 (x2)
GEAR - 33Z
 49.GB017101 (x2)
GEAR - 22/99Z
 59.GB017120 GEAR:AIO:JOINT:2
 50.GB017102 GEAR - 27/76Z

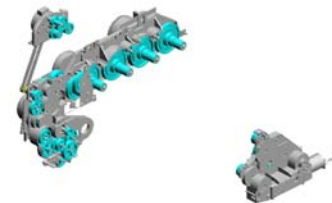


U001	U002	U003	U004	U005	U006	U007	U008	U009	U010	U011	U012	U013
------	------	------	------	------	------	------	------	------	------	------	------	------

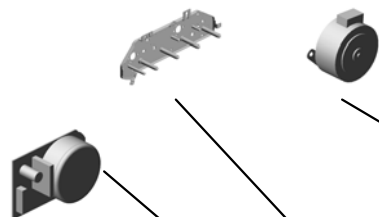
U005 Main Drive

66.M0181102
BRACKET:MOTOR:
ASS'Y

61.GX041120
STEPPER MOTOR
- DC 14.8W



64.GX060036
BRUSHLESS MOT
OR:DC24V:40W



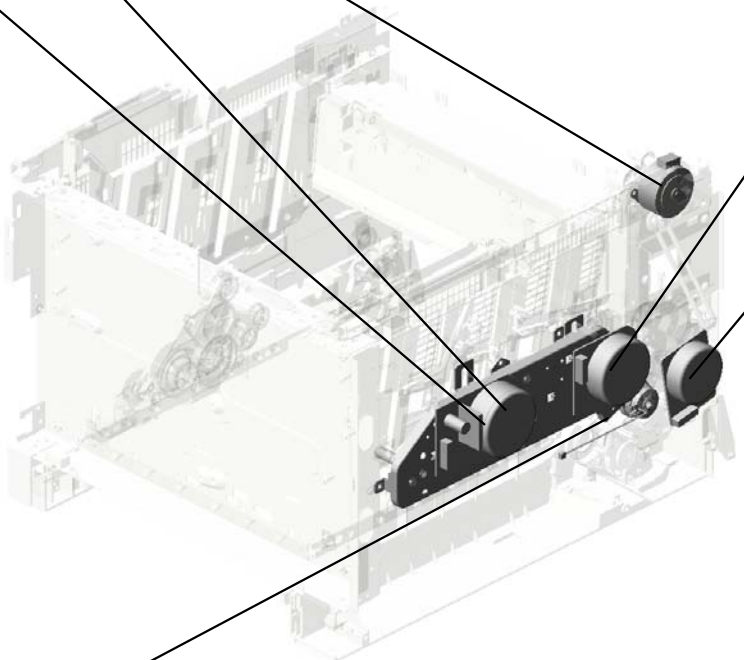
63.GX060034
BRUSHLESS MOT
OR:DC24V:24W



62.GX060033
BRUSHLESS MOT
OR:DC24V:10W



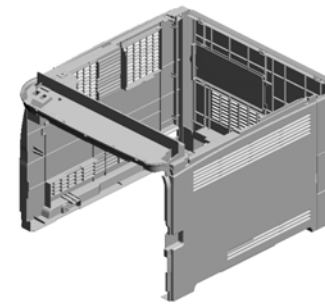
65.GX201121
MAGNETIC CLUTC
H



U001	U002	U003	U004	U005	U006	U007	U008	U009	U010	U011	U012	U013
------	------	------	------	-------------	------	------	------	------	------	------	------	------

U006 Exterior

9.G1661336 COVER:LEFT:EU
 10.G1831257 COVER - PAPER EXIT
 5.G1661259 MEMORY COVER



1.03603010N
SCREW:M3X10



4.04543008Q
(x3)
TAPPING SCREW:
3X8



6.G1661261
INNER COVER - EX
IT



12.G1831274
REAR COVER - EU



11.G1831258
COVER - INTERFA
CE



2.04504010N
(x2)
TAPPING SCREW:
M4X10



3.04524010N
(x5)
BINDING SELF-TA
PPING SCREW:4X
10



8.G1661333
COVER:RIGHT:EU



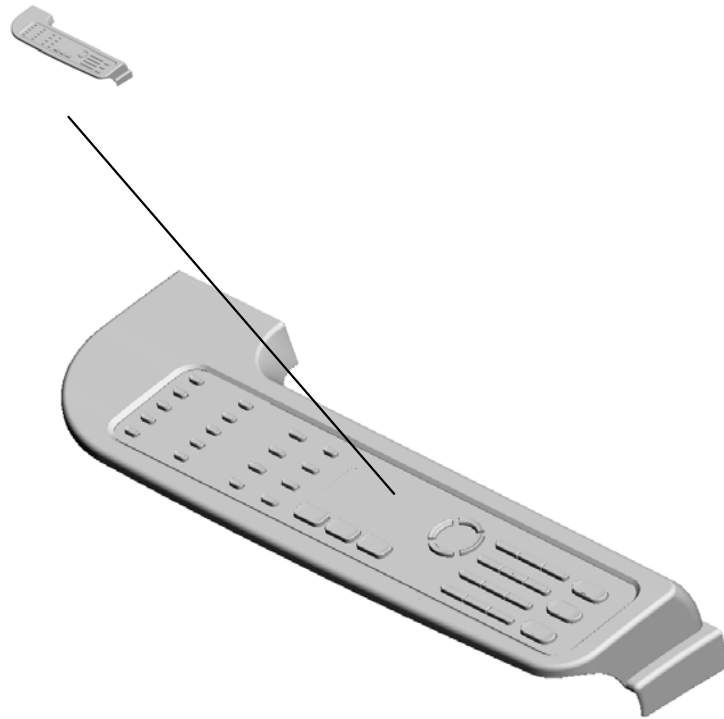
7.G1661262
CASSETTE COVER



U001	U002	U003	U004	U005	U006	U007	U008	U009	U010	U011	U012	U013
------	------	------	------	------	------	------	------	------	------	------	------	------

U007.Operation

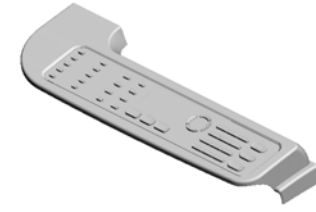
U007_S001
M0181402
OPERATION PANEL:EU



U001	U002	U003	U004	U005	U006	U007	U008	U009	U010	U011	U012	U013
------	------	------	------	------	------	------	------	------	------	------	------	------

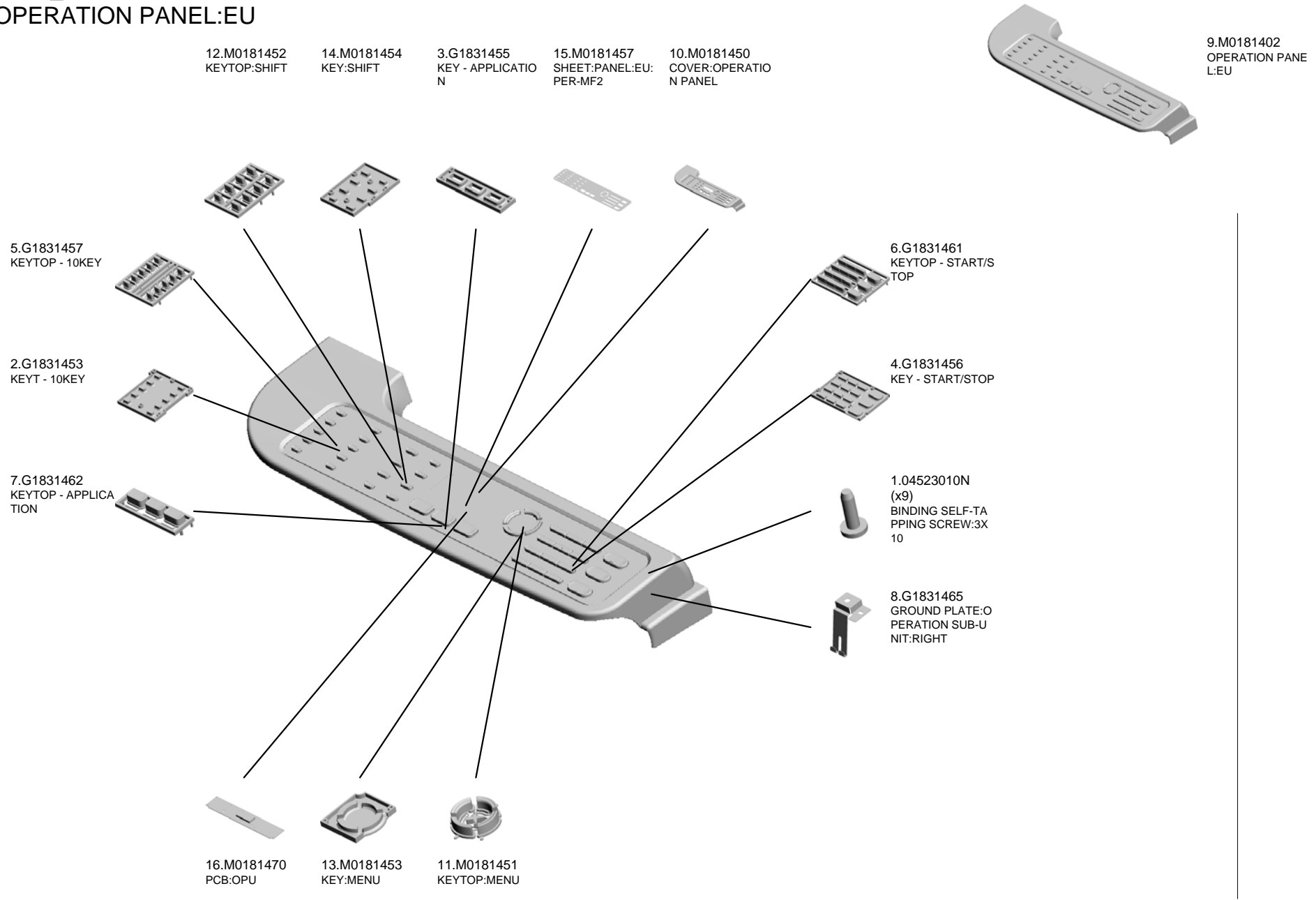
U007 Operation

1.04523010N
(x4)
BINDING SELF-TAPPING SCREW:3X
10



U001	U002	U003	U004	U005	U006	U007	U008	U009	U010	U011	U012	U013
------	------	------	------	------	------	------	------	------	------	------	------	------

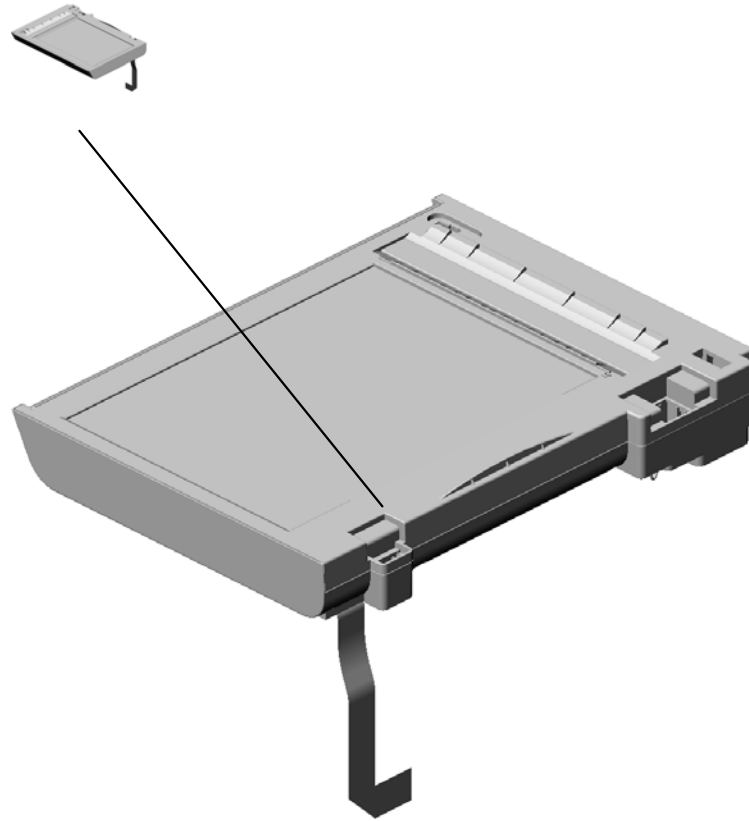
U007_S001
OPERATION PANEL:EU



U001	U002	U003	U004	U005	U006	U007	U008	U009	U010	U011	U012	U013
------	------	------	------	------	------	------	------	------	------	------	------	------

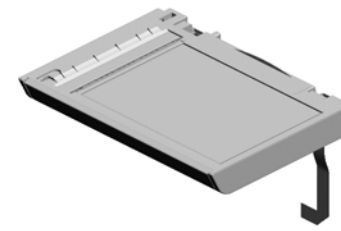
U008.Scanner

U008_S001
M0181601
SCANNER:ASS'Y



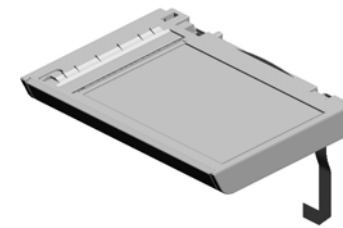
U001	U002	U003	U004	U005	U006	U007	U008	U009	U010	U011	U012	U013
------	------	------	------	------	------	------	------	------	------	------	------	------

U008
Scanner



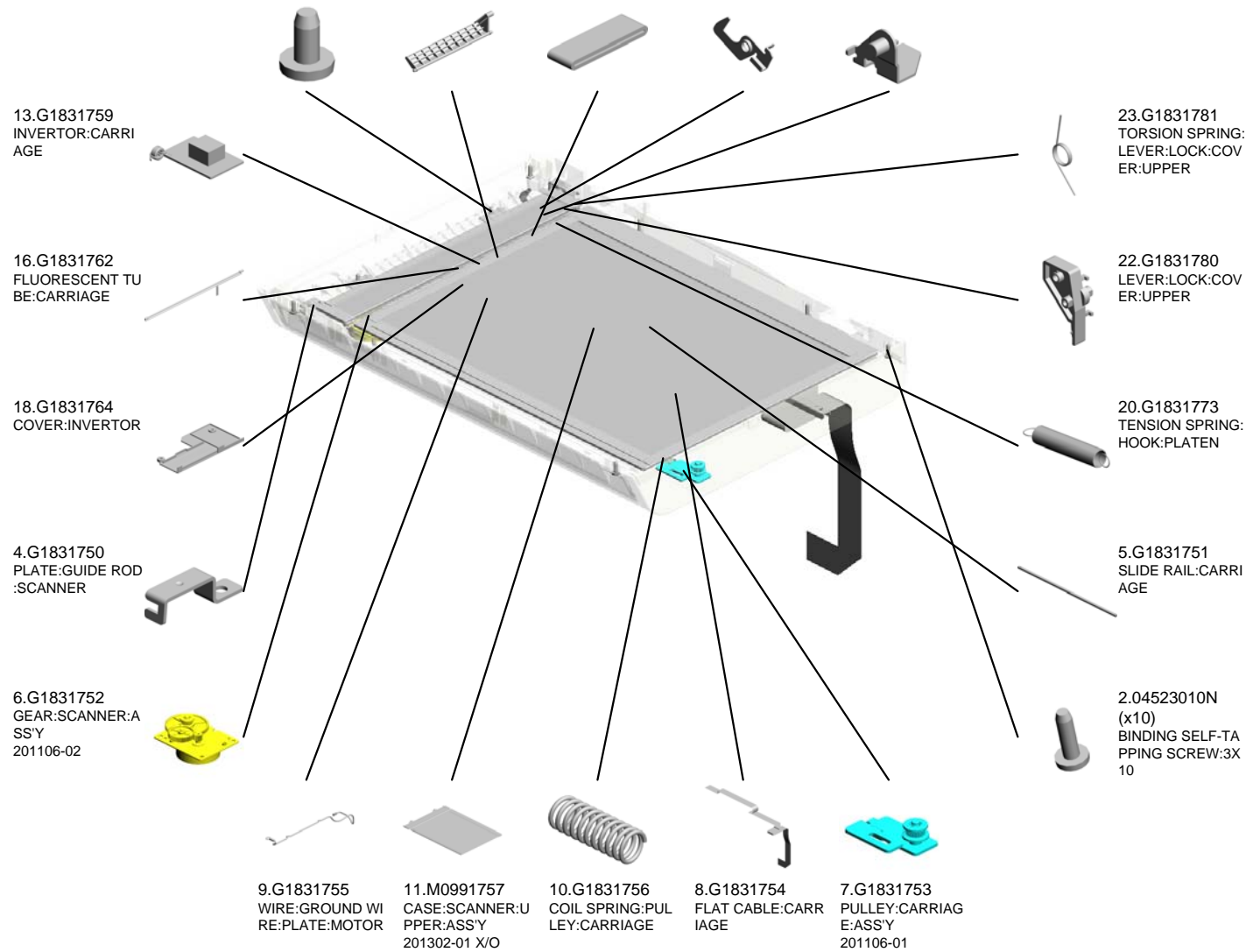
U001	U002	U003	U004	U005	U006	U007	U008	U009	U010	U011	U012	U013
------	------	------	------	------	------	------	------	------	------	------	------	------

U008_S001
SCANNER:ASS'Y



31.M0181601
[A]
SCANNER:ASS'Y
201301-01 X/O

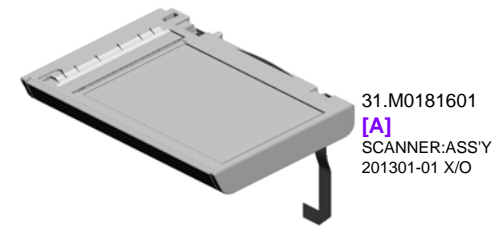
- 1.04523006N
(x2)
BINDING SELF-TAPPING SCREW:3X6
- 21.G1831774
LEVER:HOOK:PLATEN
- 12.G1831758
CORE:EMI:CARRIAGE
- 19.G1831772
HOOK:PLATEN
- 14.G1831760
BRACKET:HOOK:PLATEN:PEEN



U001	U002	U003	U004	U005	U006	U007	U008	U009	U010	U011	U012	U013
------	------	------	------	------	------	------	------	------	------	------	------	------

U008_S001
SCANNER:ASS'Y

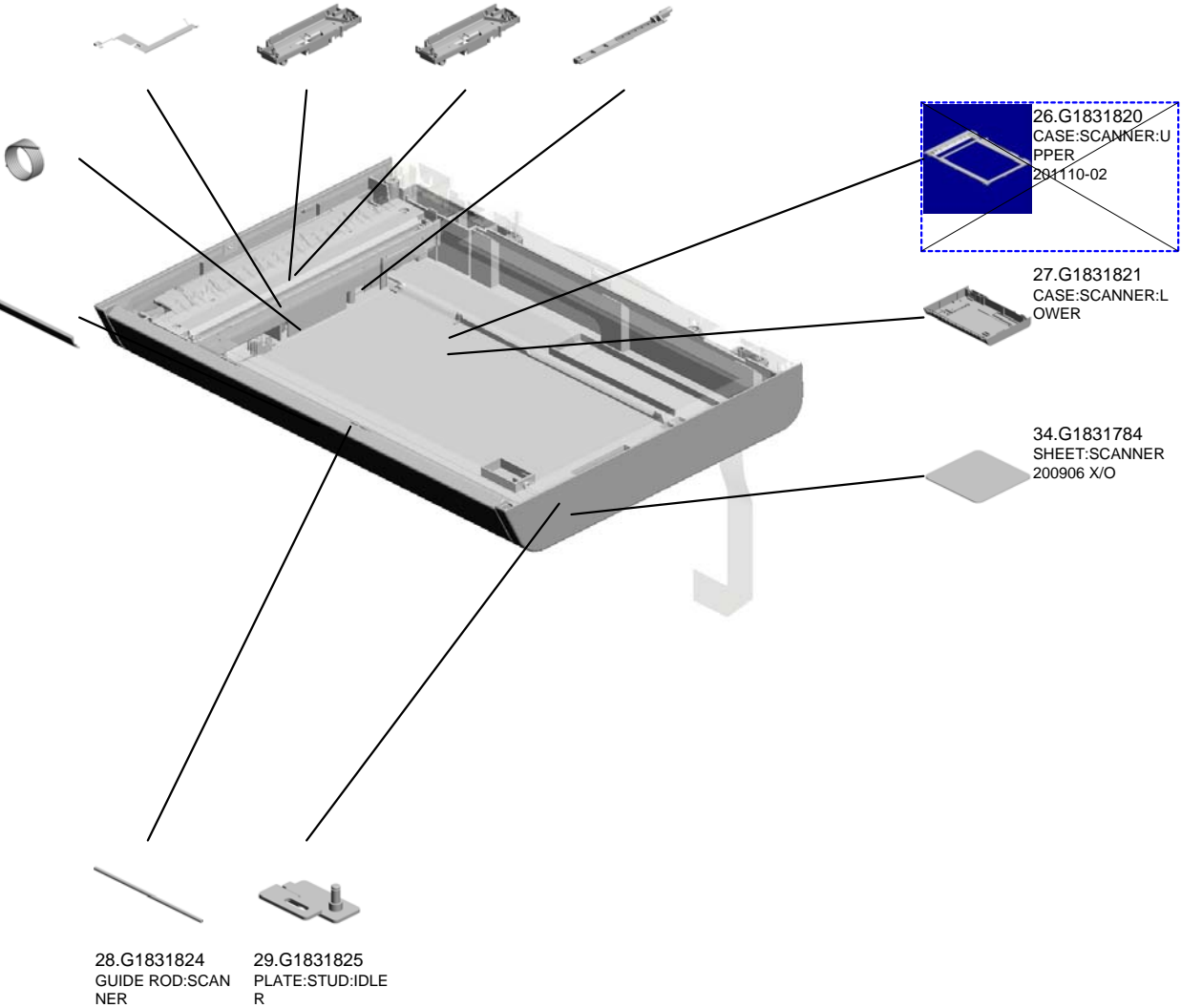
30.G1831827 GROUND PLATE:SCANNER:LEFT
 33.G1831765 CCD:MODULE:ASS'Y 200905-2 X/O
 33.G1831765 CCD:MODULE:ASS'Y 201410-01 X/O
 24.G1831782 PLATE:COVER:UPPER



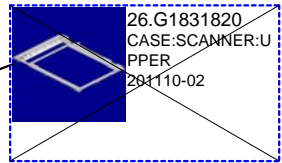
31.M0181601
[A]
SCANNER:ASS'Y
201301-01 X/O

25.G1831783 TORSION SPRING:LOCK:COVER:UPPER

32.M0181826 COVER:SCANNER:FRONT:2



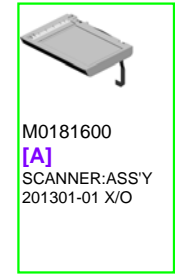
28.G1831824 GUIDE ROD:SCANNER
 29.G1831825 PLATE:STUD:IDLER



26.G1831820 CASE:SCANNER:UPPER
201110-02

27.G1831821 CASE:SCANNER:LOWER

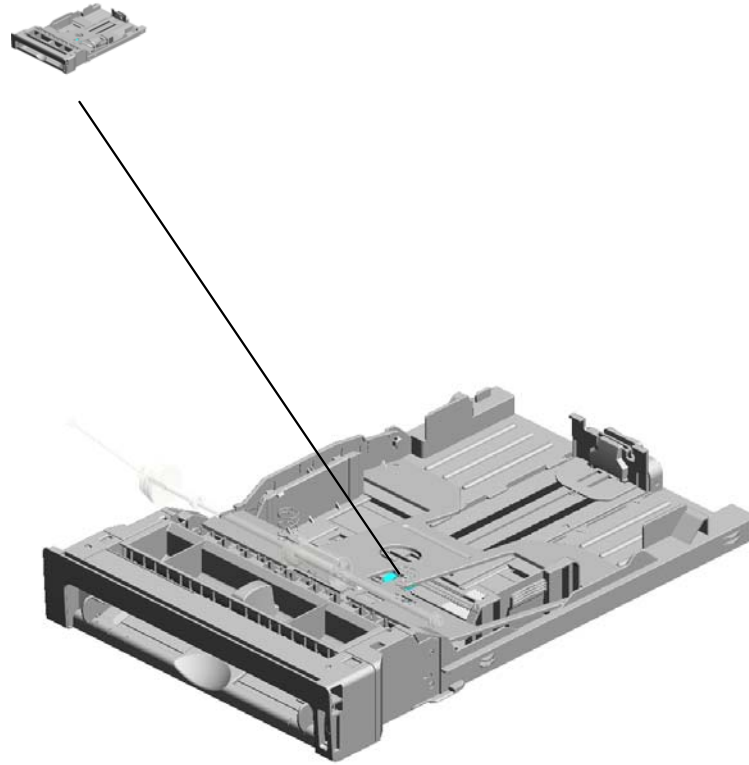
34.G1831784 SHEET:SCANNER
200906 X/O



M0181600
[A]
SCANNER:ASS'Y
201301-01 X/O

U009.Paper Feed

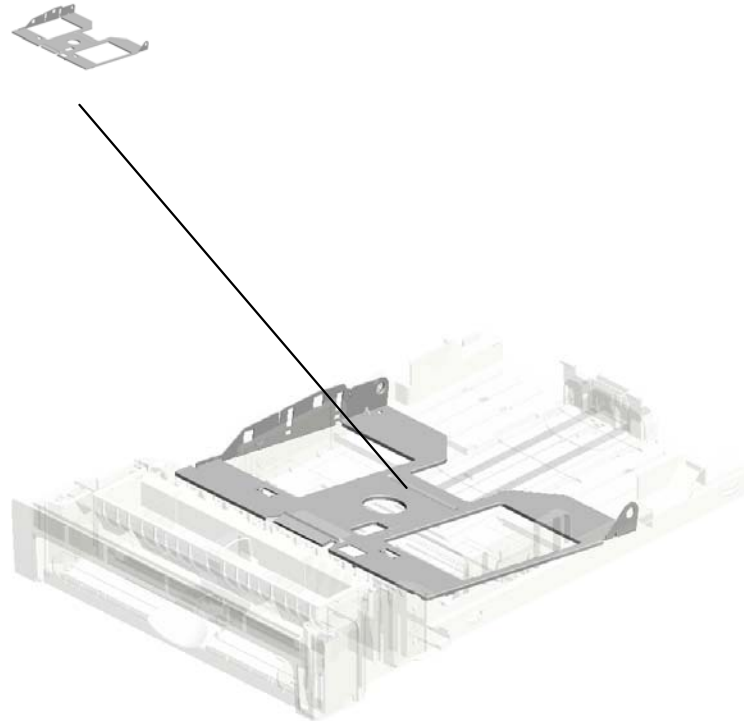
U009_S001
M0352527
PAPER TRAY ASSY



U001	U002	U003	U004	U005	U006	U007	U008	U009	U010	U011	U012	U013
------	------	------	------	------	------	------	------	------	------	------	------	------

U009_S001.PAPER TRAY ASS'Y

U009_S001_S001
M0182562
BASE:ADHESION

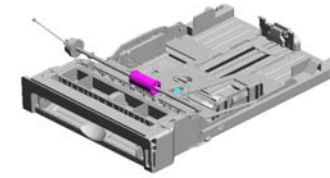


U001	U002	U003	U004	U005	U006	U007	U008	U009	U010	U011	U012	U013
------	------	------	------	------	------	------	------	------	------	------	------	------

U009 Paper Feed

40.H5213355
C RING - PAPER F
EED ROLLER
201308-02 X/X

41.M1982580
SHAFT:PAPER FEE
D ROLLER:PRESS
FIT
201308-01 X/X



34.GX201121
MAGNETIC CLUTC
H



6.AA082101
(x2)
BUSHING - 6X10X6



3.08050089
(x2)
RETAINING RING -
M4



8.AF031061
PAPER FEED ROL
LER



U001	U002	U003	U004	U005	U006	U007	U008	U009	U010	U011	U012	U013
------	------	------	------	------	------	------	------	------	------	------	------	------

U009_S001 PAPER TRAY ASS'Y

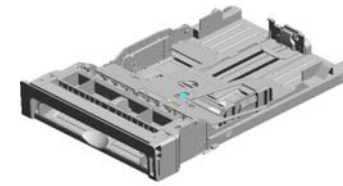
22.G1662570
(x2)
COMPRESSION SP
RING

1.04503010N
TAPPING SCREW -
M3X10

13.G1662555
LEFT SIDE FENCE

7.AA132013
SPACER - 8.2
200905

9.D0094511
SPACER: DIA8.0:1.5
MM
200905



39.M0352527
[A]
PAPER TRAY ASS'
Y
201002 O/O

12.G1662554
DUPLEX GUIDE

17.G1662560
LEFT SIDE FENCE
- MANUAL FEED

10.G1662552
PAPER TRAY - FR
ONT

11.G1662553
CASSETTE COVER

23.G1662571
SHEET - CASSETT
E

18.G1662561
RIGHT SIDE FENC
E - MANUAL FEED

20.G1662568
COMPRESSION SP
RING

21.G1662569
LEVER PAPER VO
LUME SENSOR

5.A2672869
GEAR - 16Z

19.G1662567
BOTTOM PLATE S
TOPPER

16.G1662559
END FENCE

15.G1662558
EXTENSION TRAY

2.08050088
RETAINING RING -
M6

14.G1662556
RIGHT SIDE FENC
E

24.G1662572
EARTH SPRING

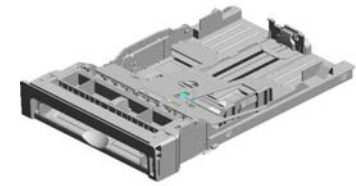
U001	U002	U003	U004	U005	U006	U007	U008	U009	U010	U011	U012	U013
------	------	------	------	------	------	------	------	------	------	------	------	------

U009_S001
PAPER TRAY ASS'Y

38.M0352620 FRICTION PAD:AD
HESION
200911 O/O

37.M0182608 COVER:BASE

31.G1662619 SHEET:BASE

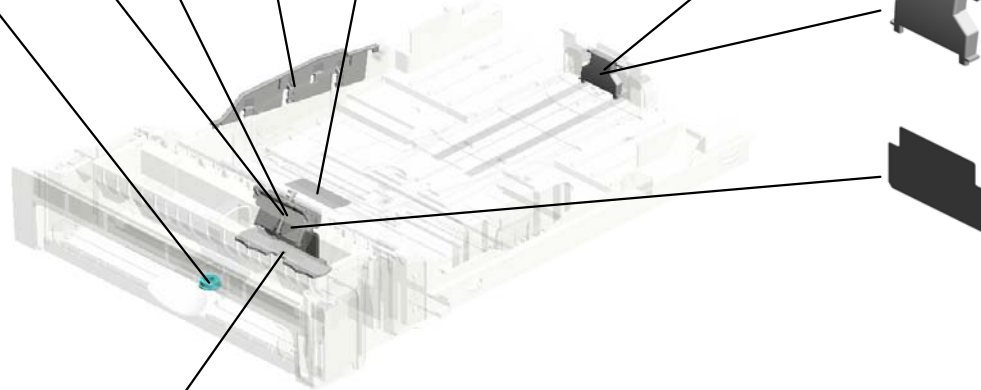


39.M0352527
[A]
PAPER TRAY ASS'
Y
201002 O/O

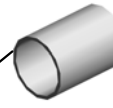
30.G1662606
COMPRESSION SP
RING



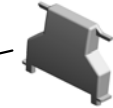
33.G8003133
SIDE FENCE GEAR



27.G1662578
COMPRESSION SP
RING



26.G1662577
END FENCE - PRE
SSURE



25.G1662573
HOLDER SHEET



29.G1662589
DAMPING INSULAT
ION

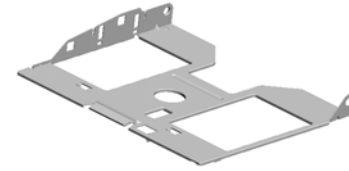


M0182527
[A]
PAPER TRAY
201002 O/O

U001	U002	U003	U004	U005	U006	U007	U008	U009	U010	U011	U012	U013
------	------	------	------	------	------	------	------	------	------	------	------	------

U009_S001_S001
BASE:ADHESION

4.52152713
BOTTOM PLATE P
AD



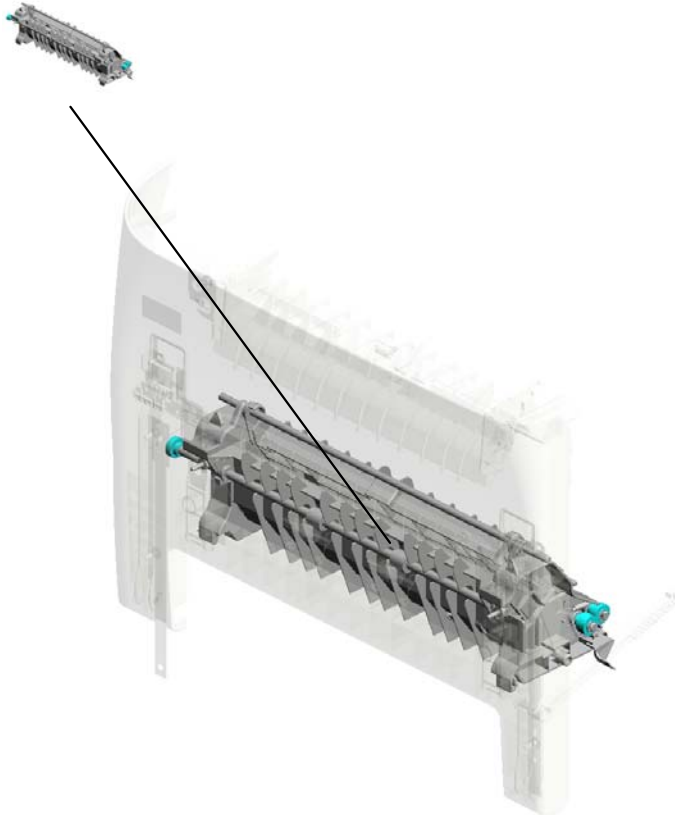
36.M0182562
BASE:ADHESION



U001	U002	U003	U004	U005	U006	U007	U008	U009	U010	U011	U012	U013
------	------	------	------	------	------	------	------	------	------	------	------	------

U010.Transport

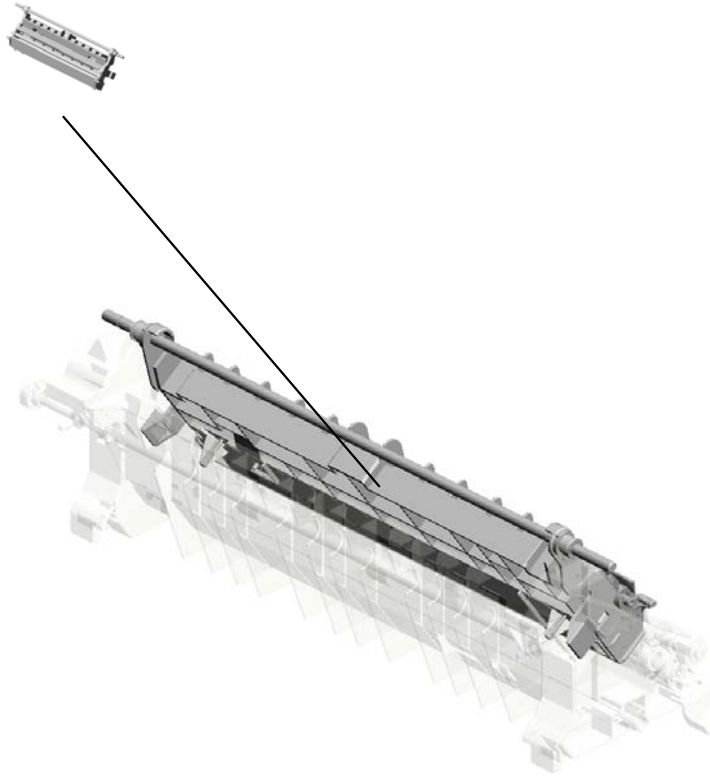
U010_S001
M0183800
HOUSING:TRANSPORT SUB-
UNIT:ASS'Y



U001	U002	U003	U004	U005	U006	U007	U008	U009	U010	U011	U012	U013
------	------	------	------	------	------	------	------	------	------	------	------	------

U010_S001.HOUSING:TRANSPORT SUB-UNIT:ASS'Y

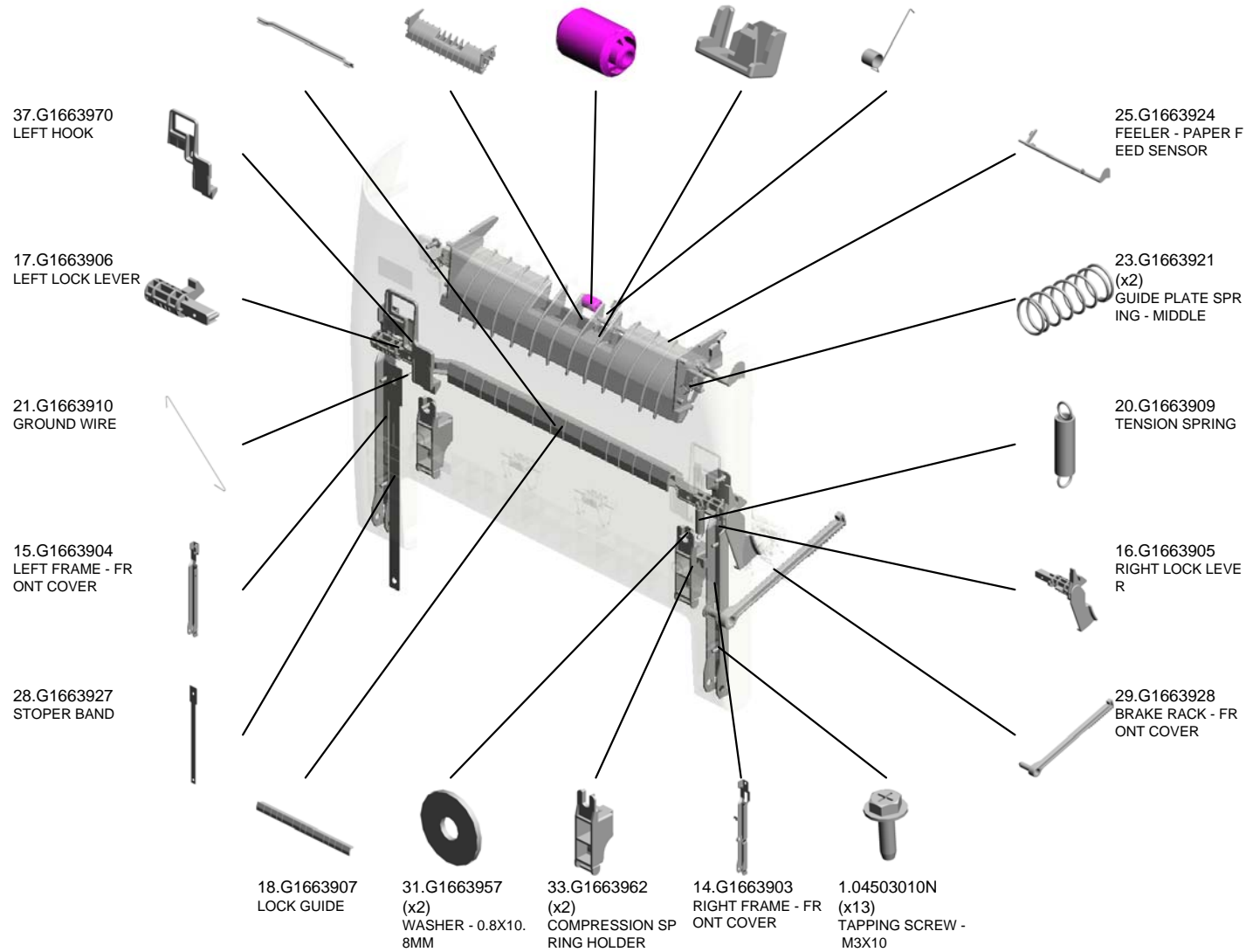
U010_S001_S001
M0183952
TRANSFER ROLLER:2:SUB-A
SS'Y



U001	U002	U003	U004	U005	U006	U007	U008	U009	U010	U011	U012	U013
------	------	------	------	------	------	------	------	------	------	------	------	------

U010 Transport

- 19.G1663908 LOCK LEVER ARM
- 24.G1663923 EXIT GUIDE PLATE - MIDDLE
- 27.M0963926 ROLLER:GUIDE:EXIT:MIDDLE 201111-01 O/O
- 30.G1663933 STOPPER:FEELER :PAPER FEED SENSOR
- 26.G1663925 TORSION SPRING - FEELER



U001	U002	U003	U004	U005	U006	U007	U008	U009	U010	U011	U012	U013
------	------	------	------	------	------	------	------	------	------	------	------	------

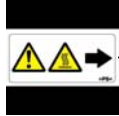
U010 Transport

57.M0963912
HOLDER:GUIDE PL
ATE:REVERSE
201307-02 O/O

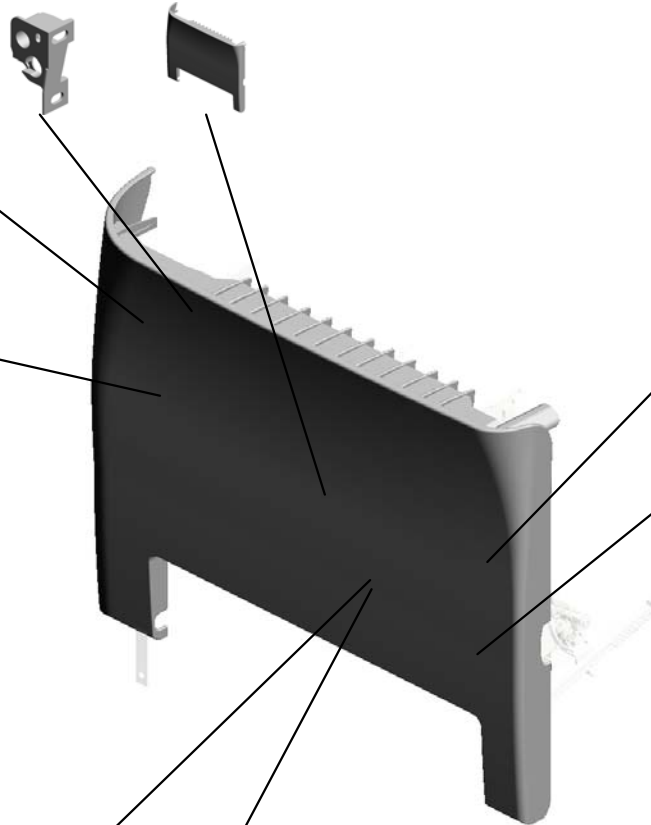
49.M1003902
COVER:FRONT
201206-01 O/O



46.G1664464
DECAL:HIGHTEMP
ERATURE



39.G1663972
(x2)
COMPRESSION SP
RING - GRIP



38.G1663971
RIGHT FHOOK



40.G1663974
(x2)
COMPRESSION SP
RING - UPPER



47.G1664606
(x2)
DUPLX ROLLER



48.M0754607
(x2)
[A]
SPRING:PRESSUR
E:DUPLX
201601-01 O/O



G1664607
[A]
PRESSURE SPRIN
G - DUPLEX ROLL
ER
201601-01 O/O



U001	U002	U003	U004	U005	U006	U007	U008	U009	U010	U011	U012	U013
------	------	------	------	------	------	------	------	------	------	------	------	------

U010_S001 HOUSING:TRANSPORT SUB-UNIT:ASS'Y



53.M0183800
HOUSING:TRANSPORT SUB-UNIT:ASS'Y

12.G1663865 (x2) GEAR - 14Z
2.07200040E (x5) RETAINING RING - M4
10.G1663862 (x2) GUIDE SHEET - REGISTRATION
4.G1633979 GUIDE.EXIT:TRANSFER/SEPARATION:M
5.G1663852 REGISTRATION ROLLER - DRIVEN

1.04503010N (x2) TAPPING SCREW - M3X10

41.G1663983 SPACER:GROUND PLATE:TRANSPORT

36.G1663968 ELECTRODE PLATE - CONTACT POINT

42.G1663989 RESISTOR - 100M OHM +10% 0.5W

35.G1663967 ELECTRODE PLATE - LINK

44.G1663997 GROUND WIRE:TRANSFER/SEPARATION

11.G1663863 REGISTRATION GUIDE

9.G1663860 TORSION SPRING

3.08050089 (x2) RETAINING RING - M4

32.G1663961 (x2) COMPRESSION SPRING

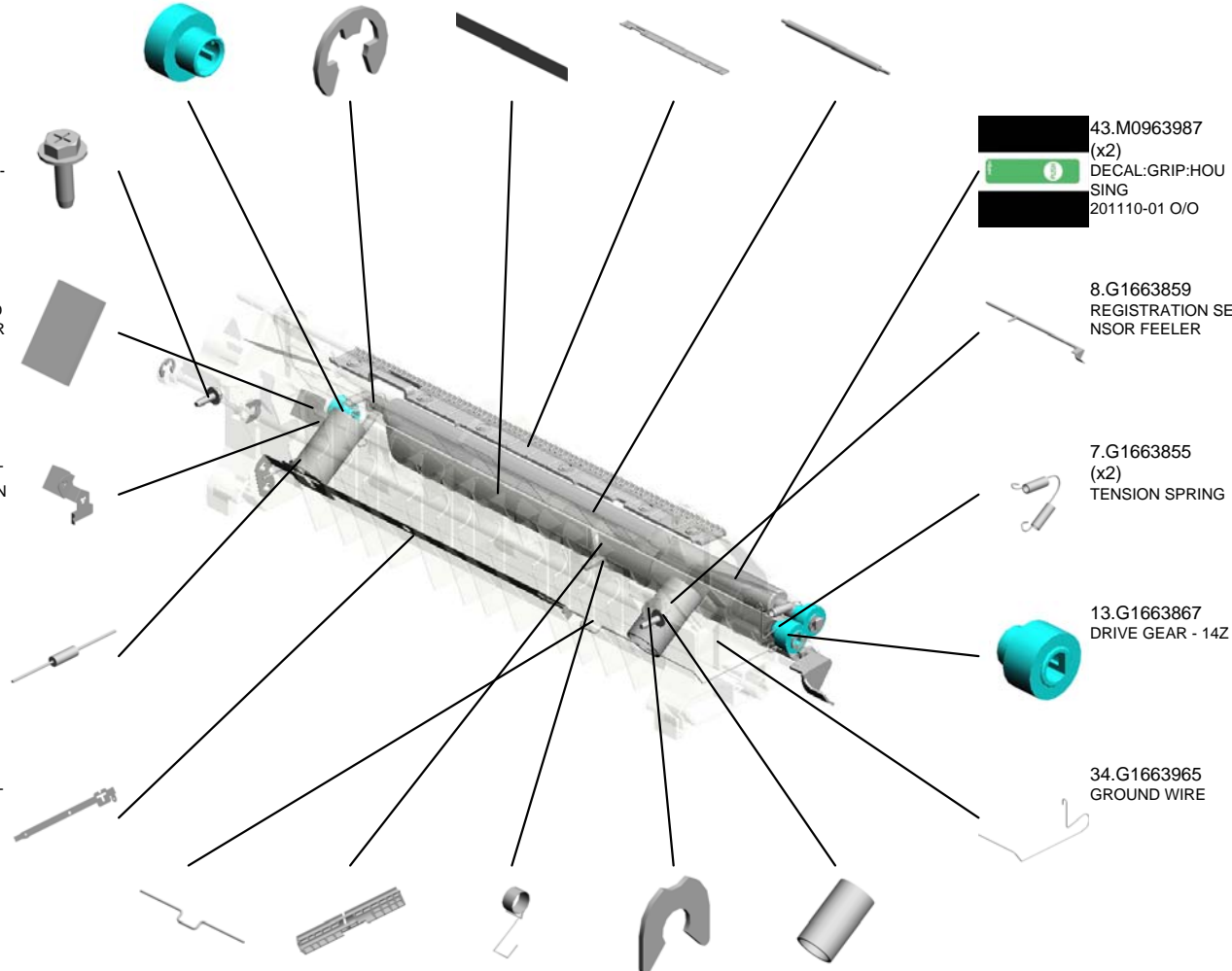
43.M0963987 (x2) DECAL:GRIP:HOUSING 201110-01 O/O

8.G1663859 REGISTRATION SENSOR FEELER

7.G1663855 (x2) TENSION SPRING

13.G1663867 DRIVE GEAR - 14Z

34.G1663965 GROUND WIRE



U010_S001
HOUSING:TRANSPORT SUB-UNIT:ASS'Y

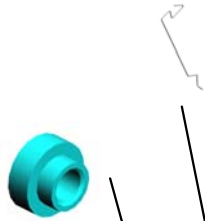
45.G1663998
GROUND WIRE- D
UPLEX

56.GA082015
(x6)
PLAIN SHAFT BEA
RING:DIA6:DIA9:7
201307-01 O/O



53.M0183800
HOUSING:TRANSP
ORT SUB-UNIT:AS
SY

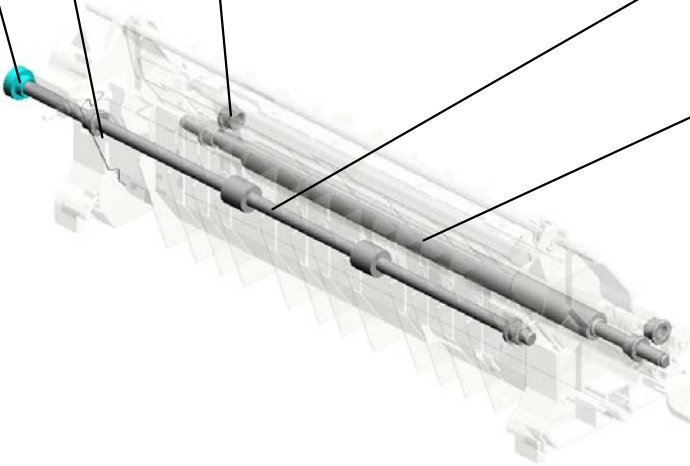
50.GB011133
GEAR - 15Z



52.GF020054
TRANSPORT ROLL
ER:DUPLEX



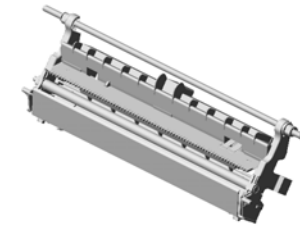
51.GF020000
REGISTRATION R
OLLER - DRIVE



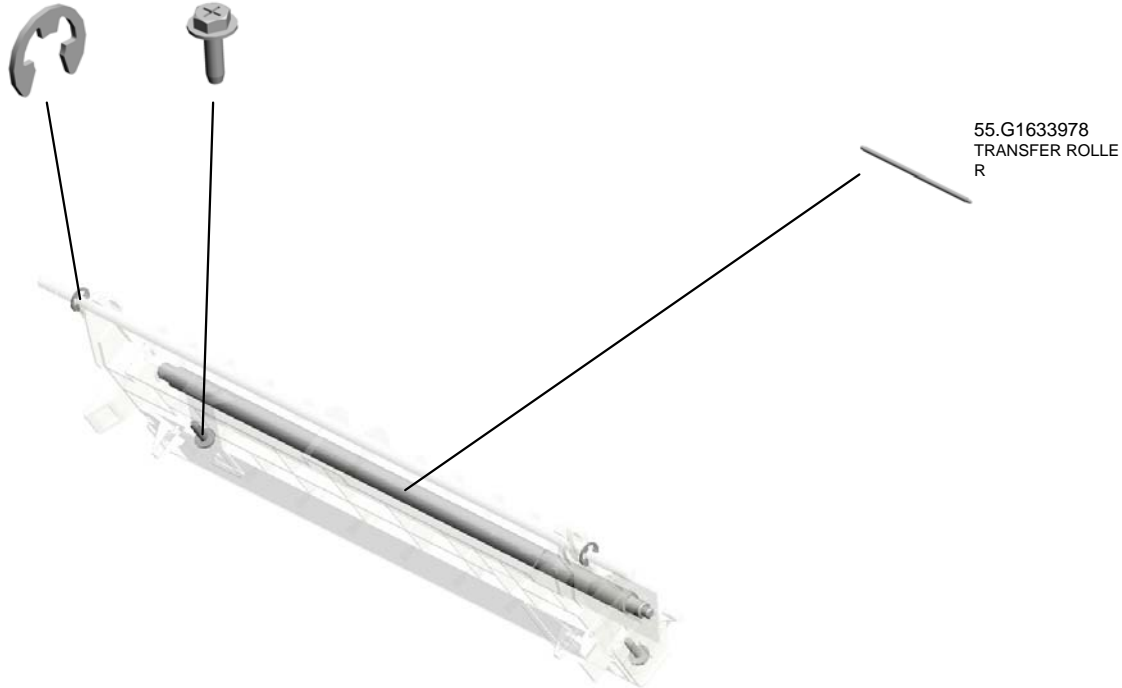
U001	U002	U003	U004	U005	U006	U007	U008	U009	U010	U011	U012	U013
------	------	------	------	------	------	------	------	------	------	------	------	------

U010_S001_S001
TRANSFER ROLLER:2:SUB-ASS'Y

2.07200040E (x2) RETAINING RING - M4
1.04503010N (x2) TAPPING SCREW - M3X10



54.M0183952
TRANSFER ROLLE
R:2:SUB-ASS'Y

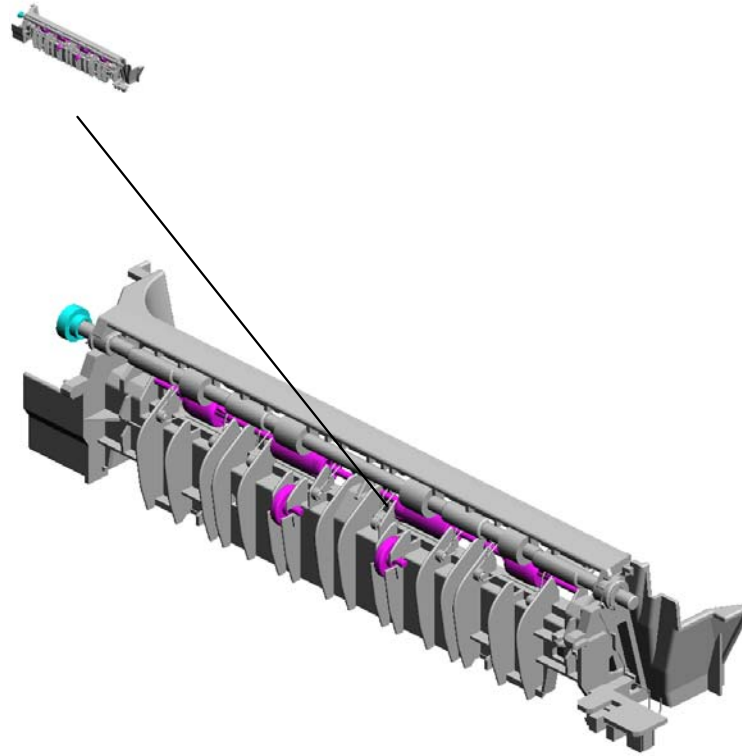


55.G1633978
TRANSFER ROLLE
R

U001	U002	U003	U004	U005	U006	U007	U008	U009	U010	U011	U012	U013
------	------	------	------	------	------	------	------	------	------	------	------	------

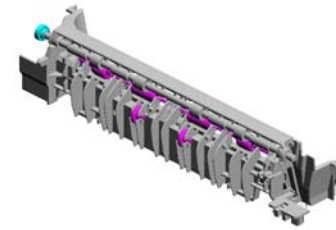
U011.Paper Exit

U011_S001
M0184450
GUIDE.EXIT.ASS'Y



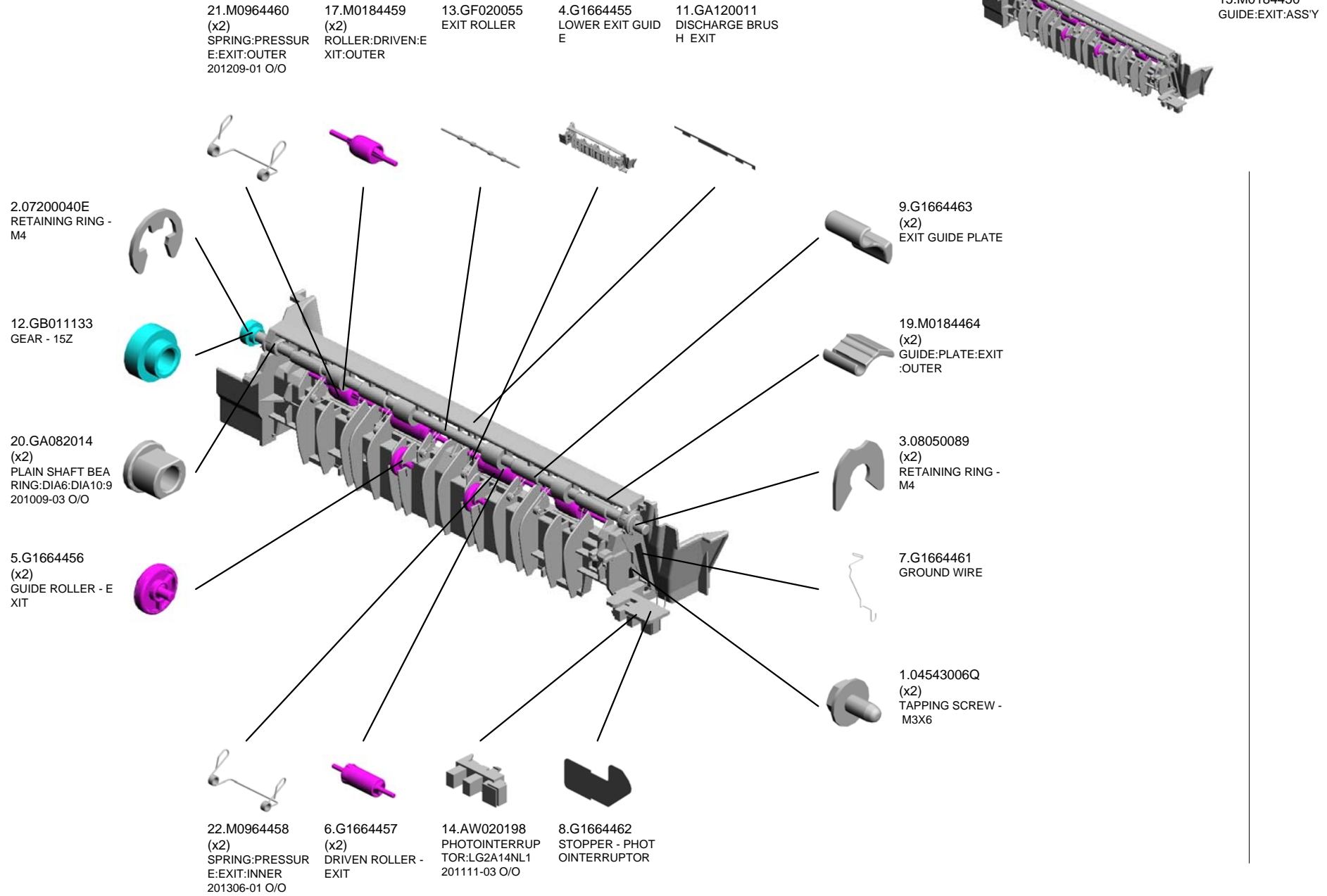
U001	U002	U003	U004	U005	U006	U007	U008	U009	U010	U011	U012	U013
------	------	------	------	------	------	------	------	------	------	------	------	------

U011
Paper Exit



U001	U002	U003	U004	U005	U006	U007	U008	U009	U010	U011	U012	U013
------	------	------	------	------	------	------	------	------	------	------	------	------

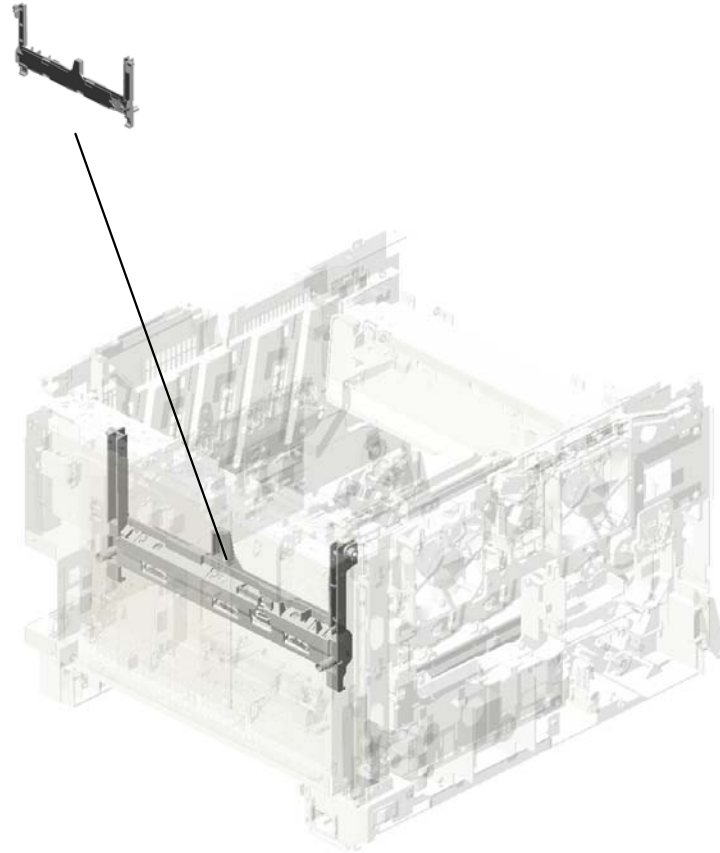
U011_S001
GUIDE:EXIT:ASS'Y



U001	U002	U003	U004	U005	U006	U007	U008	U009	U010	U011	U012	U013
------	------	------	------	------	------	------	------	------	------	------	------	------

U012.Electrical

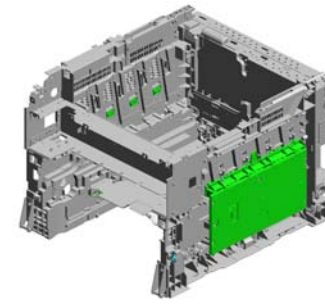
U012_S001
G1666003
DENSITY SENSOR:ASS'Y



U001	U002	U003	U004	U005	U006	U007	U008	U009	U010	U011	U012	U013
------	------	------	------	------	------	------	------	------	------	------	------	------

U012 Electrical

- 15.16072056 FERRITE CORE:33.5X6.5X20
- 22.G1635731 BASE:HIGH VOLTA GE:3
- 1.03603006N (x31) SCREW - M3X6
- 13.14076657 EEPROM:BR93L76-W
- 20.G1631068 (x2) BRACKET - PHOTO INTERRUPTOR



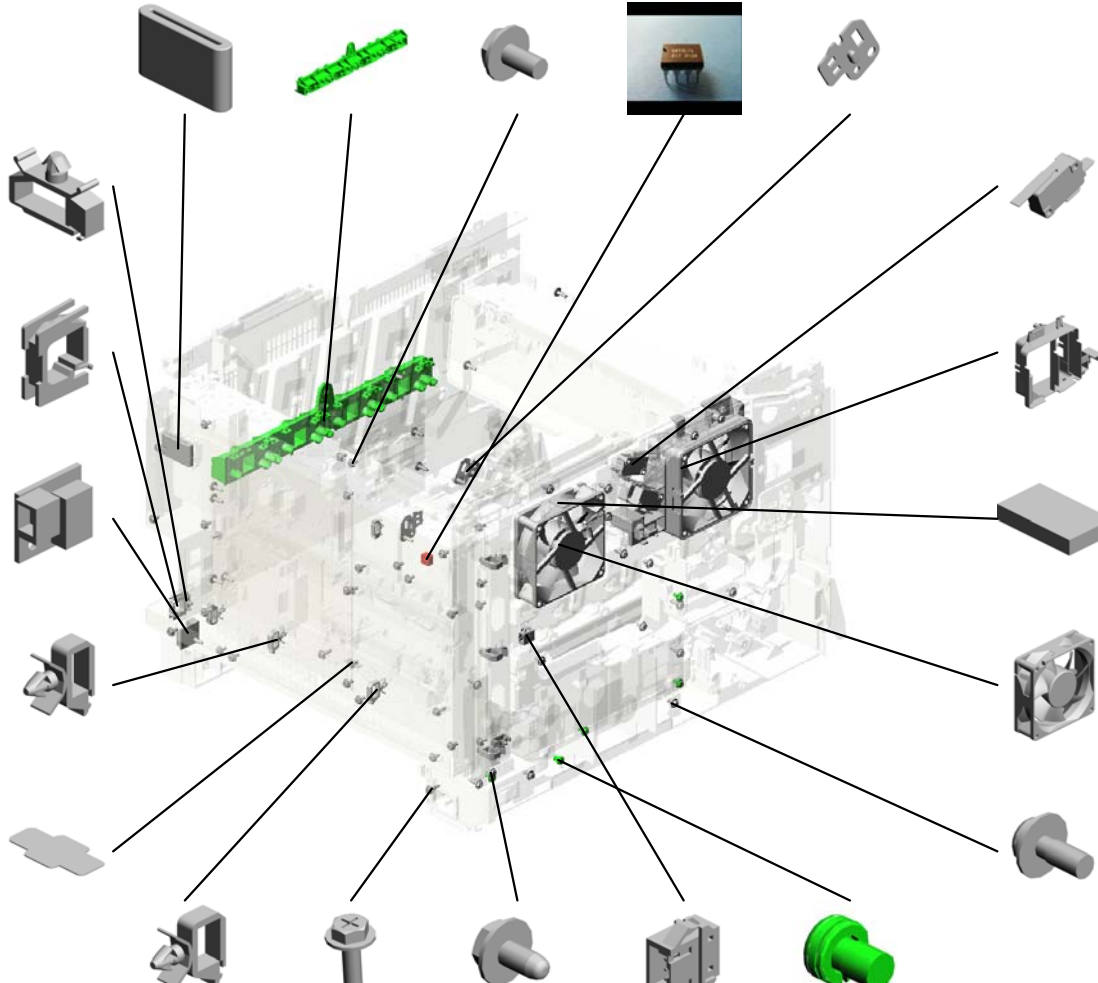
10.11050516 (x3) CLAMP

11.11050518 EDGE SADDLE - L ES-1010

17.AW140015 TEMPERATURE & HUMIDITY SENSOR

8.11050487 (x2) HARNESS CLAMP

19.G1022789 STOPPER:PHOTO INTERRUPTOR



- 9.11050508 (x4) HARNESS CLAMP - LWS-0711
- 2.04503010N (x33) TAPPING SCREW - M3X10
- 3.04543006Q (x6) TAPPING SCREW - M3X6
- 7.11024559 (x2) CONNECTOR - 3P
- 16.AA143592 SCREW- M4X6

12.12042612 (x3) MICRO SWITCH:D3 V-16506-3C25



23.G1661058 EXIT DUCT

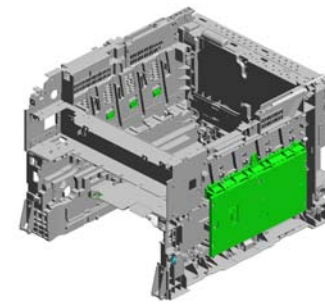
21.G1635728 (x4) SEAL:FAN:2

- 2.04503010N (x 1) TAPPING SCREW - M3X10
- 4.04543008Q (x 2) TAPPING SCREW:3X8
- 6.11024473 (x 3) CT CONNECTOR - 2P

18.AX640199 (x2) FAN:MM80:25MM:D C 2.16W

5.09543008N (x2) SCREW - M3X8

U012 Electrical



- 29.G1665708 2NDTERMINAL- TR ANSFER
- 36.G1665733 LINK - SAFETY SW ITCH
- 38.G1665736 TENSION SPRING - SAFETY SWITCH
- 37.G1665734 TORSION SPRING - SAFETY SWITCH
- 39.G1665737 COMPRESSION SP RING - SAFETY S WITCH

32.G1665716
(x12)
TERMINAL:AIO



40.G1665738
1ST TERMINAL - T RANSEFER



33.G1665725
HARNESS COVER



30.G1665712
(x2)
MEMORY COVER:(M019)



34.G1665726
(x3)
CUSHION - HARNE SS



31.G1665715
BRACKET - MAIN S WITCH



24.G1661059
DUCT



27.G1665700
BRACKET - POWE R SUPPLY UNIT



28.G1665701
HARNESS COVER - POWER SUPPLY UNIT



25.G1661110
HARNESS GUIDE



26.G1665280
TERMINAL BOARD



44.G1665759
GROUND PLATE - FUSING



43.G1665751
CONNECTOR HOL DER - FUSING



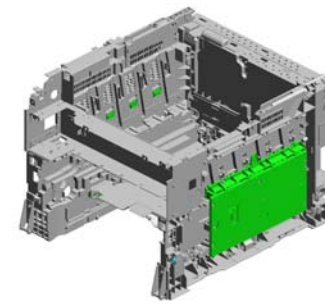
35.G1665732
BRACKET SAFETY SWITCH



42.G1665748
LEVER - SAFETY S WITCH



U012 Electrical



60.G1835824
CASE - CORE

66.M0185652
PCB:MAIN:ASS'Y

64.GZ300004
POWER PACK
201207-01 O/O

57.G1835820
BRACKET - CONTR
OL BOARD

53.G1666586
FEELER - SET SEN
SOR

59.G1835823
BRACKET - INTER
FACE

46.G1666045
SPRING - FEELER

47.G1666046
SENSOR FEELER

56.G1835675
PCB:FAX:EU:ASS'Y

48.G1666103
SENSOR HOLDER

62.AW020198
(x4)
PHOTOINTERRUP
TOR:LG2A14NL1
201111-03 O/O

54.G1666587
SENSOR BRACKE
T

52.G1666584
USED TONER SEN
SOR

51.G1666580
STOPPER SHEET -
PHOTOINTERRUP
TOR

49.G1666107
GROUNDING PLAT
E

61.G1835826
BRACKET - SPEAK
ER

55.G1835300
SPEAKER - DIA50

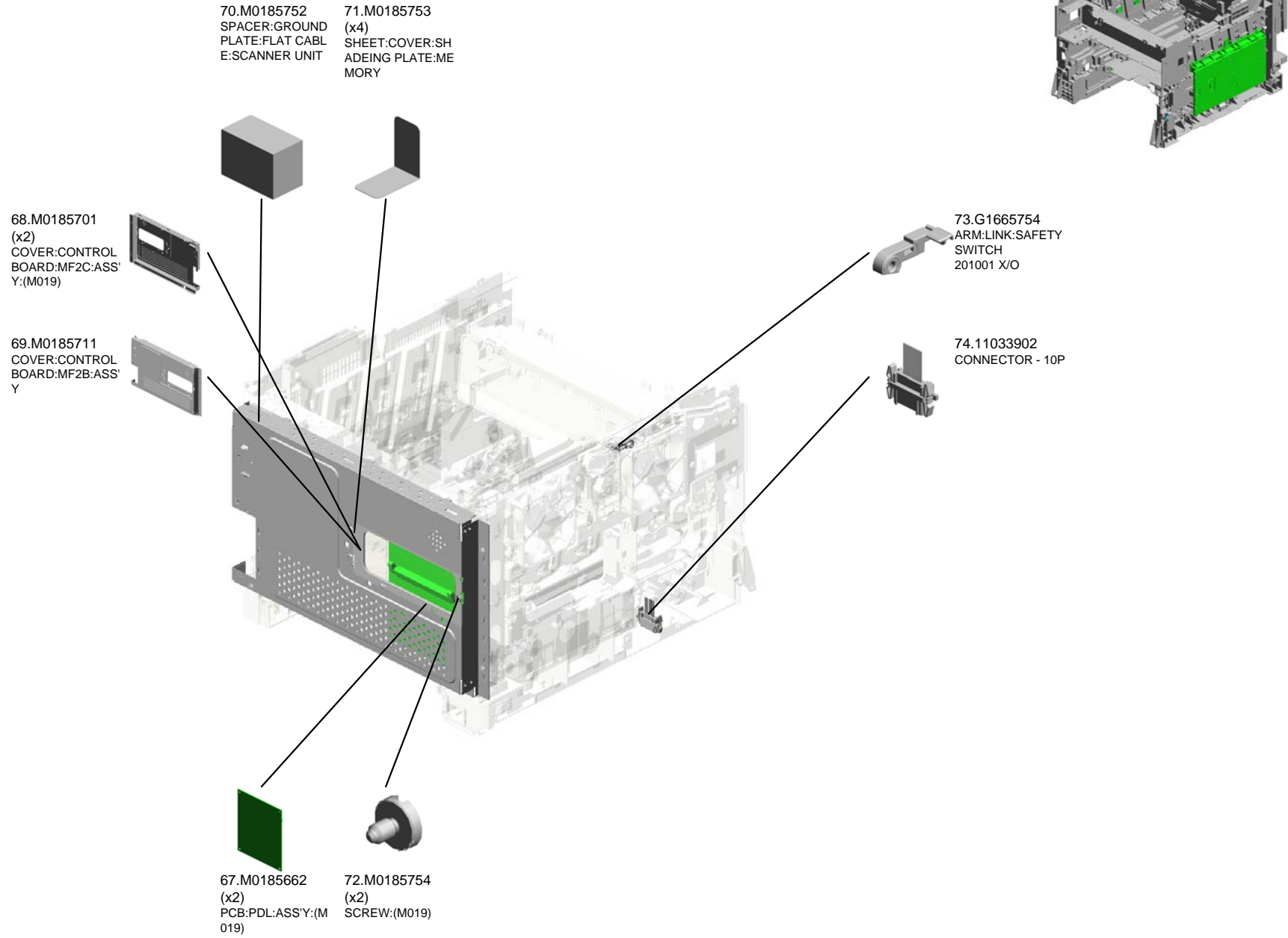
65.M0185126
PCB:EGB

58.G1835822
(x2)
STOPPER:MEMOR
Y:(M019)

63.GZ230034
POWER SUPPLY U
NIT - 230V

U001	U002	U003	U004	U005	U006	U007	U008	U009	U010	U011	U012	U013
------	------	------	------	------	------	------	------	------	------	------	------	------

U012 Electrical



U001	U002	U003	U004	U005	U006	U007	U008	U009	U010	U011	U012	U013
------	------	------	------	------	------	------	------	------	------	------	------	------

U012_S001
DENSITY SENSOR:ASS'Y

50.G1666191
CLEANER DECAL -
DENSITY SENSOR



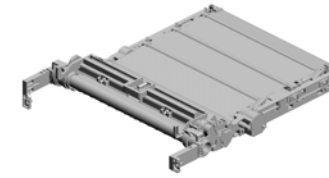
45.G1666003
DENSITY SENSOR:
ASS'Y

U001	U002	U003	U004	U005	U006	U007	U008	U009	U010	U011	U012	U013
------	------	------	------	------	------	------	------	------	------	------	------	------

U013 INTERMEDIATE TRANSFER UNIT

6.G1666194
RIGHT HOLDER - T
TRANSFER BELT U
NIT

3.G1666026
(x2)
BUSHING - 19MM



9.M0180692
INTERMEDIATE TR
ANSFER UNIT

7.G1666196
RIGHT SLIDER - T
TRANSFER BELT U
NIT



4.G1666099
(x2)
COMPRESSION SP
RING



5.G1666193
LEFT HOLDER - TR
ANSFER BELT UNI
T



2.07200040E
(x2)
RETAINING RING -
M4



1.04503010N
(x5)
TAPPING SCREW -
M3X10



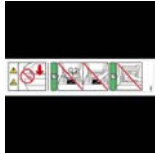
8.G1666197
LEFT SLIDER - TR
ANSFER BELT UNI
T



Accessories



1.G1661268
LOGO PLATE - RIC



2.G1661390
(x2)
CAUTION DECAL - TRANSFER BELT



3.G1661397
(x2)
DECAL:CAUTION:PRESSURE RELEASE



4.G1662593
(x2)
CAUTIONDECAL - INKJET PAPER



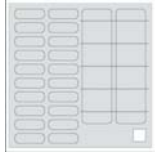
5.G1662592
(x2)
SIDE FENCE DECAL



6.G1663996
(x4)
DECAL:INSERT SUB-UNIT:COVER



8.G1831320
(x2)
DECAL:CAUTION:WEIGHT:G183/G184



9.G1831475
(x2)
SHEET:PANEL:ADDRESS



10.G1831881
(x2)
DECAL:CAUTION:COPY - ENGLISH



10.G1831883
(x2)
DECAL:CAUTION:COPY - MULTI-LANGUAGE



11.G1831886
(x2)
DECAL:CAUTION:SET:ORIGINAL - ENGLISH



11.G1831888
(x2)
DECAL:CAUTION:SET:ORIGINAL - MULTI-LANGUAGE



12.J0121515
LOGO PLATE - NSA



13.J0121516
LOGO PLATE - REX



14.J0121517
LOGO PLATE - GES



15.M0181301
DECAL:NAME PLATE



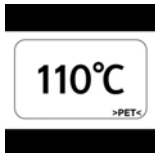
16.M0181304
DECAL:NAME PLATE:MF2B:NAS



17.M0181305
DECAL:NAME PLATE:MF2B:REX



18.M0181306
DECAL:NAME PLATE:MF2B:GES



19.M0181324
(x2)
DECAL:HIG TEMPERATURE:110 CE



20.M0181459
(x2)
SHEET:PANEL:EU_LANGUAGES



21.M0191301
DECAL:NAME PLATE



22.M0191304
DECAL:NAME PLATE:MF2C:NAS



23.M0191305
DECAL:NAME PLATE:MF2C:REX

Accessories



24.M0191306
DECAL:NAME PLATE:MF2C:GES



25.M0160415
DECAL:ID_CARDCOPY:EXP
200912



26.11500457
(x2)
POWER SUPPLY CODE:250V:10A:EU
201411-01 O/O

Exclusive Parts

Number	Part Name	Group	ID
52152713	BOTTOM PLATE PAD	U009_S001_S001	4
A2672869	GEAR - 16Z	U009_S001	5
AA082101	BUSHING - 6X10X6	U005	10
		U009	6
AA132013	SPACER - 8.2	U009_S001	7
AA143520	SHOULDER SCREW - M3	U002_S001	4
AA143592	SCREW- M4X6	U012	16
AA143801	SCREW:M4:EXTERIOR	U002_S001	5
AF031061	PAPER FEED ROLLER	U009	8
AW020198	PHOTOINTERRUPTOR:LG2A14NL 1	U011_S001	14
		U012	62
AW140015	TEMPERATURE & HUMIDITY SEN SOR	U012	17
AX640199	FAN:MM80:25MM:DC 2.16W	U012	18
B0394480	STEPPED SCREW - M5	U004	12
B1251474	RIVET:MM5	U004	13
C2175102	SPRING WASHER	U002_S001	6
D0094511	SPACER:DIA8.0:1.5MM	U009_S001	9
G1022789	STOPPER:PHOTOINTERRUPTOR	U012	19
G1631068	BRACKET - PHOTOINTERRUPTOR	U012	20
G1633978	TRANSFER ROLLER	U010_S001_S001	55
G1633979	GUIDE:EXIT:TRANSFER/SEPARATI ON:M	U010_S001	4
G1635728	SEAL:FAN:2	U012	21
G1635731	BASE:HIGH VOLTAGE:3	U012	22
G1661008	CLUTCH/BRAKE BRAKET	U004	14
G1661046	COLOR DECAL - MAGENTA	U004	15
G1661047	SPACER- RUBBER FOOT	U004	16
G1661048	RUBBER FOOT	U004	17
G1661058	EXIT DUCT	U012	23
G1661059	DUCT	U012	24
G1661060	BASE:HINGE:COVER:FRONT	U004	18
G1661061	PIN:HINGE	U004	19
G1661064	CLUTCH/BRAKE SPRING	U004	20
G1661065	CLUTCH SPRING	U004	21
G1661066	CLUTCH/BRAKE CASE	U004	22
G1661067	GEAR - 14Z	U004	23
G1661068	FUSING DUCT	U004	24

Number	Part Name	Group	ID
G1661069	RACK SUPPORTER	U004	25
G1661070	FRAME:UPPER LEFT	U004	26
G1661071	FRAME:UPPER RIGHT	U004	27
G1661072	SPRING:PLATE:AIO	U004	28
G1661073	SHAFT	U004	29
G1661078	COMPRESSION SPRING	U004	30
G1661081	TWIST SPRING - LEFT	U004	31
G1661083	GROUNDING PLATE - HIGH VOLT AGE	U004	32
G1661084	SPRING:PLATE:AIO:BLACK	U004	33
G1661086	BRACKET:OPTICAL UNIT:FRAME: UPPER	U004	35
G1661087	SPRING:CUSHION:FRAME:UPPER	U004	36
G1661088	UPPER FRONT DUCT	U004	37
G1661089	PIN:PLATE:DEVELOPMENT UNIT	U004	38
G1661090	GROUND PLATE - DCHIP	U004	39
G1661091	GROUND PLATE - POWER SUPPL Y UNIT	U004	40
G1661093	GEAR - 20Z	U004	41
G1661095	SHEET:BASE:FRAME	U004	42
G1661096	GROUND PLATE - FRONT	U004	43
G1661097	GROUND PLATE - LEFT	U004	44
G1661104	SHIELDING PLATE	U005	11
G1661110	HARNESS GUIDE	U012	25
G1661111	FRAME - TRANSFER DRIVE UNIT	U005	12
G1661112	GEAR COVER	U004	45
G1661118	GROUNDING WIRE	U005	13
G1661119	MOTOR BRACKET	U005	14
G1661123	FRAME - ON-OFF DRIVE UNIT	U005	15
G1661125	SHIELDING PLATE	U005	16
G1661131	DC MOTOR - DC24V 5.3W	U005	17
G1661135	MOTOR - DC24V 1.6W	U005	18
G1661139	FRAME - TRANSPORT DRIVE UNIT	U005	19
G1661151	MOTOR BRACKET	U005	20
G1661152	GROUNDING PLATE	U005	21
G1661194	FRAME - DUPLEX DRIVE UNIT	U005	22
G1661259	MEMORY COVER	U006	5
G1661261	INNER COVER - EXIT	U006	6

Exclusive Parts

Number	Part Name	Group	ID
G1661262	CASSETTE COVER	U006	7
G1661268	LOGO PLATE - RIC	Accessories	1
G1661280	CUSHION - IMAGING UNIT	U004	46
G1661281	BASE - EXIT END FENCE	U004	47
G1661282	REAR END FENCE - EXIT	U004	48
G1661283	FRONT END FENCE - EXIT	U004	49
G1661323	SHEET:FRAME:RIGHT	U004	50
G1661333	COVER:RIGHT:EU	U006	8
G1661336	COVER:LEFT:EU	U006	9
G1661343	KEY:FUSING	U004	51
G1661382	BRACKET:BRAKE:COVER:UPPER	U004	52
G1661389	DECAL - HIGH VOLTAGE	U004	53
G1661390	CAUTION DECAL - TRANSFER BELT	Accessories	2
G1661397	DECAL:CAUTION:PRESSURE RELEASE	Accessories	3
G1661852	IMAGING UNIT:ASS'Y	U001	1
G1662552	PAPER TRAY - FRONT	U009_S001	10
G1662553	CASSETTE COVER	U009_S001	11
G1662554	DUPLEX GUIDE	U009_S001	12
G1662555	LEFT SIDE FENCE	U009_S001	13
G1662556	RIGHT SIDE FENCE	U009_S001	14
G1662558	EXTENSION TRAY	U009_S001	15
G1662559	END FENCE	U009_S001	16
G1662560	LEFT SIDE FENCE - MANUAL FEED	U009_S001	17
G1662561	RIGHT SIDE FENCE - MANUAL FEED	U009_S001	18
G1662567	BOTTOM PLATE STOPPER	U009_S001	19
G1662568	COMPRESSION SPRING	U009_S001	20
G1662569	LEVER PAPER VOLUME SENSOR	U009_S001	21
G1662570	COMPRESSION SPRING	U009_S001	22
G1662571	SHEET - CASSETTE	U009_S001	23
G1662572	EARTH SPRING	U009_S001	24
G1662573	HOLDER SHEET	U009_S001	25
G1662577	END FENCE - PRESSURE	U009_S001	26
G1662578	COMPRESSION SPRING	U009_S001	27
G1662582	GROUNDING SPRING	U004	54

Number	Part Name	Group	ID
G1662583	SPRING PLATE:PAPER TRAY:POSITIONING	U004	55
G1662585	FEELER - PAPER END SENSOR	U004	56
G1662586	FEELER HOLDER	U004	57
G1662588	HOLDER:PAPER TRAY:POSITIONING	U004	58
G1662589	DAMPING INSULATION	U009_S001	29
G1662592	SIDE FENCE DECAL	Accessories	5
G1662593	CAUTIONDECAL - INKJET PAPER	Accessories	4
G1662596	HOLDER:RESISTOR:BASE	U004	59
G1662597	SPRING PLATE:RESISTOR:BASE:LOWER	U004	60
G1662598	SPRING PLATE:RESISTOR:BASE:UPPER	U004	61
G1662606	COMPRESSION SPRING	U009_S001	30
G1662619	SHEET:BASE	U009_S001	31
G1663331	DECAL - BLACK	U004	62
G1663333	DECAL - CYAN	U004	63
G1663334	DECAL - YELLOW	U004	64
G1663852	REGISTRATION ROLLER - DRIVEN	U010_S001	5
G1663855	TENSION SPRING	U010_S001	7
G1663859	REGISTRATION SENSOR FEELER	U010_S001	8
G1663860	TORSION SPRING	U010_S001	9
G1663862	GUIDE SHEET - REGISTRATION	U010_S001	10
G1663863	REGISTRATION GUIDE	U010_S001	11
G1663865	GEAR - 14Z	U010_S001	12
G1663866	GROUND PLATE:REGISTRATION ROLLER	U004	65
G1663867	DRIVE GEAR - 14Z	U010_S001	13
G1663903	RIGHT FRAME - FRONT COVER	U010	14
G1663904	LEFT FRAME - FRONT COVER	U010	15
G1663905	RIGHT LOCK LEVER	U010	16
G1663906	LEFT LOCK LEVER	U010	17
G1663907	LOCK GUIDE	U010	18
G1663908	LOCK LEVER ARM	U010	19
G1663909	TENSION SPRING	U010	20
G1663910	GROUND WIRE	U010	21
G1663921	GUIDE PLATE SPRING - MIDDLE	U010	23

Exclusive Parts

Number	Part Name	Group	ID
G1663923	EXIT GUIDE PLATE - MIDDLE	U010	24
G1663924	FEELER - PAPER FEED SENSOR	U010	25
G1663925	TORSION SPRING - FEELER	U010	26
G1663927	STOPPER BAND	U010	28
G1663928	BRAKE RACK - FRONT COVER	U010	29
G1663933	STOPPER:FEELER:PAPER FEED S ENSOR	U010	30
G1663957	WASHER - 0.8X10.8MM	U010	31
G1663961	COMPRESSION SPRING	U010_S001	32
G1663962	COMPRESSION SPRING HOLDER	U010	33
G1663965	GROUND WIRE	U010_S001	34
G1663967	ELECTRODE PLATE - LINK	U010_S001	35
G1663968	ELECTRODE PLATE - CONTACT P OINT	U010_S001	36
G1663970	LEFT HOOK	U010	37
G1663971	RIGHT FHOOK	U010	38
G1663972	COMPRESSION SPRING - GRIP	U010	39
G1663974	COMPRESSION SPRING - UPPER	U010	40
G1663983	SPACER:GROUND PLATE:TRANS PORT	U010_S001	41
G1663989	RESISTOR - 100M OHM +-10% 0.5 W	U010_S001	42
G1663994	RESISTOR - 50M OHM +-10% 0.5W	U004	67
G1663996	DECAL:INSERT SUB-UNIT:COVER	Accessories	6
G1663997	GROUND WIRE:TRANSFER/SEPA RATION	U010_S001	44
G1663998	GROUND WIRE- DUPLEX	U010_S001	45
G1664027	FUSING UNIT - 220V	U002_S001	24
G1664055	REAR COVER - FUSING UNIT	U002_S001	8
G1664066	FRONT COVER - FUSING UNIT	U002_S001	9
G1664071	FUSING ENTRANCE GUIDE - UPP ER	U002_S001	10
G1664072	FUSING ENTRANCE GUIDE - LOW ER	U002_S001	11
G1664088	GUIDE PLATE - FUSING EXIT	U002_S001	12
G1664286	STRIPPER PLATE	U002_S001	13
G1664288	RIGHT COLLAR- STRIPPER PLATE	U002_S001	14
G1664289	LEFT COLLAR- STRIPPER PLATE	U002_S001	15

Number	Part Name	Group	ID
G1664291	LEFT POSITIONING PLATE- STRIP PER	U002_S001	16
G1664292	RIGHT POSITIONING PLATE - STRI PPER	U002_S001	17
G1664310	DECAL:WARNING (HIGH TEMPER ATURE):1:CUD	U002_S001	23
G1664323	TORSION SPRING - STRIPPER PL ATE	U002_S001	18
G1664455	LOWER EXIT GUIDE	U011_S001	4
G1664456	GUIDE ROLLER - EXIT	U011_S001	5
G1664457	DRIVEN ROLLER - EXIT	U011_S001	6
G1664461	GROUND WIRE	U011_S001	7
G1664462	STOPPER - PHOTOINTERRUPTOR	U011_S001	8
G1664463	EXIT GUIDE PLATE	U011_S001	9
G1664464	DECAL:HIGHTEMPERATURE	U010	46
G1664606	DUPLEX ROLLER	U010	47
G1665280	TERMINAL BOARD	U012	26
G1665700	BRACKET - POWER SUPPLY UNIT	U012	27
G1665701	HARNESS COVER - POWER SUPP LY UNIT	U012	28
G1665706	GROUND PLATE:SHAFT:IMAGING UNIT	U004	68
G1665708	2NDTERMINAL- TRANSFER	U012	29
G1665712	MEMORY COVER:(M019)	U012	30
G1665715	BRACKET - MAIN SWITCH	U012	31
G1665716	TERMINAL:AIO	U012	32
G1665724	HARNESS CLAMP HOLDER	U004	69
G1665725	HARNESS COVER	U012	33
G1665726	CUSHION - HARNESS	U012	34
G1665732	BRACKET SAFETY SWITCH	U012	35
G1665733	LINK - SAFETY SWITCH	U012	36
G1665734	TORSION SPRING - SAFETY SWIT CH	U012	37
G1665736	TENSION SPRING - SAFETY SWIT CH	U012	38
G1665737	COMPRESSION SPRING - SAFETY SWITCH	U012	39
G1665738	1ST TERMINAL - TRANSFER	U012	40

Exclusive Parts

Number	Part Name	Group	ID
G1665745	HARNESS COVER	U005	23
G1665748	LEVER - SAFETY SWITCH	U012	42
G1665751	CONNECTOR HOLDER - FUSING	U012	43
G1665754	ARM:LINK:SAFETY SWITCH	U012	73
G1665756	RESISTORHOLDER - EXIT	U004	70
G1665757	GROUND PLATE -INPUT	U004	71
G1665758	GROUND PLATE - OUTPUT	U004	72
G1665759	GROUND PLATE - FUSING	U012	44
G1666003	DENSITY SENSOR:ASS'Y	U012_S001	45
G1666026	BUSHING - 19MM	U013	3
G1666045	SPRING - FEELER	U012	46
G1666046	SENSOR FEELER	U012	47
G1666099	COMPRESSION SPRING	U013	4
G1666103	SENSOR HOLDER	U012	48
G1666107	GROUNDING PLATE	U012	49
G1666191	CLEANER DECAL - DENSITY SENSOR	U012_S001	50
G1666193	LEFT HOLDER - TRANSFER BELT UNIT	U013	5
G1666194	RIGHT HOLDER - TRANSFER BELT UNIT	U013	6
G1666196	RIGHT SLIDER - TRANSFER BELT UNIT	U013	7
G1666197	LEFT SLIDER - TRANSFER BELT UNIT	U013	8
G1666580	STOPPER SHEET - PHOTOINTERUPTOR	U012	51
G1666584	USED TONER SENSOR	U012	52
G1666586	FEELER - SET SENSOR	U012	53
G1666587	SENSOR BRACKET	U012	54
G1666592	SPRING PLATE -COLLECTION BOTTLE	U004	73
G1831012	SHAFT:LOCK:ASS'Y	U004	101
G1831050	LEFT SLIDE ARM	U004	74
G1831051	RIGHT SLIDE ARM	U004	75
G1831052	LEFT TORSION SPRING - ARM	U004	76
G1831053	RIGHT TORSION SPRING - ARM	U004	77
G1831054	SLIDE RAIL:LEFT	U004	78

Number	Part Name	Group	ID
G1831055	SLIDE RAIL:RIGHT	U004	79
G1831056	HINGE - TORQUE LIMITER	U004	80
G1831060	SEPARATION PLATE - SLIDE	U004	81
G1831061	TORSION SPRING - SEPARATION PLATE	U004	82
G1831065	LEFT SLIDE STOPPER - SCANNER	U004	83
G1831066	TORSION SPRING- SLIDE STOPPER	U004	84
G1831067	STOPPER PLATE - SCANNER	U004	85
G1831068	RIGHT SLIDE STOPPER - SCANNER	U004	86
G1831069	COMPRESSION SPRING - STOPPER	U004	87
G1831070	UPPER SUPPORTING PLATE - COVER	U004	88
G1831071	RIGHT ACTUATOR - STOPPER	U004	89
G1831072	WIRE - SCANNER LOCK	U004	90
G1831075	PLATE:SHAFT	U004	91
G1831082	ARM - LOCK LEVER	U004	92
G1831085	BRACKET - ARM	U004	93
G1831088	TENSION SPRING -LOCK ARM	U004	94
G1831090	GROUND PLATE:SUPPORTING PLATE:LEFT	U004	95
G1831091	GROUND PLATE:SUPPORTING PLATE:RIGHT	U004	96
G1831250	UPPER COVER	U004	97
G1831251	RIGHT HARNESS COVER -SCANNER	U004	98
G1831252	LEFT HARNESS COVER - SCANNER	U004	99
G1831257	COVER - PAPER EXIT	U006	10
G1831258	COVER - INTERFACE	U006	11
G1831274	REAR COVER - EU	U006	12
G1831320	DECAL:CAUTION:WEIGHT:G183/G184	Accessories	8
G1831453	KEYT - 10KEY	U007_S001	2
G1831455	KEY - APPLICATION	U007_S001	3
G1831456	KEY - START/STOP	U007_S001	4

Exclusive Parts

Number	Part Name	Group	ID
G1831457	KEYTOP - 10KEY	U007_S001	5
G1831461	KEYTOP - START/STOP	U007_S001	6
G1831462	KEYTOP - APPLICATION	U007_S001	7
G1831465	GROUND PLATE:OPERATION SUB -UNIT:RIGHT	U007_S001	8
G1831475	SHEET:PANEL:ADDRESS	Accessories	9
G1831630	ADF:ASS'Y	U003_S001	1
G1831740	FRAME:ADF	U003_S001	2
G1831741	COVER:FRONT:ADF	U003_S001	3
G1831742	COVER:REAR:ADF	U003_S001	4
G1831743	BASE:SLIDER	U003_S001	5
G1831744	SIDE FENCE:RIGHT	U003_S001	6
G1831745	SIDE FENCE:LEFT	U003_S001	7
G1831746	EXTENSION TRAY:ADF	U003_S001	8
G1831747	PAPER STOPPER:ADF	U003_S001	9
G1831750	PLATE:GUIDE ROD:SCANNER	U008_S001	4
G1831751	SLIDE RAIL:CARRIAGE	U008_S001	5
G1831752	GEAR:SCANNER:ASS'Y	U008_S001	6
G1831753	PULLEY:CARRIAGE:ASS'Y	U008_S001	7
G1831754	FLAT CABLE:CARRIAGE	U008_S001	8
G1831755	WIRE:GROUND WIRE:PLATE:MOT OR	U008_S001	9
G1831756	COIL SPRING:PULLEY:CARRIAGE	U008_S001	10
G1831758	CORE:EMI:CARRIAGE	U008_S001	12
G1831759	INVERTOR:CARRIAGE	U008_S001	13
G1831760	BRACKET:HOOK:PLATEN:PEEN	U008_S001	14
G1831762	FLUORESCENT TUBE:CARRIAGE	U008_S001	16
G1831764	COVER:INVERTOR	U008_S001	18
G1831765	CCD:MODULE:ASS'Y	U008_S001	33
G1831772	HOOK:PLATEN	U008_S001	19
G1831773	TENSION SPRING:HOOK:PLATEN	U008_S001	20
G1831774	LEVER:HOOK:PLATEN	U008_S001	21
G1831775	HOOK:ADF	U003_S001	10
G1831780	LEVER:LOCK:COVER:UPPER	U008_S001	22
G1831781	TORSION SPRING:LEVER:LOCK:C OVER:UPPER	U008_S001	23
G1831782	PLATE:COVER:UPPER	U008_S001	24
G1831783	TORSION SPRING:LOCK:COVER:U	U008_S001	25

Number	Part Name	Group	ID
	PPER		
G1831784	SHEET:SCANNER	U008_S001	34
G1831821	CASE:SCANNER:LOWER	U008_S001	27
G1831822	ADF DECAL - PICK-UP PAPER JAM	U003_S001	11
G1831824	GUIDE ROD:SCANNER	U008_S001	28
G1831825	PLATE:STUD:IDLER	U008_S001	29
G1831827	GROUND PLATE:SCANNER:LEFT	U008_S001	30
G1831834	LEFT GROUND PLATE - SCANNER	U004	100
G1831881	DECAL:CAUTION:COPY - ENGLISH	Accessories	10
G1831883	DECAL:CAUTION:COPY - MULTI-L ANGUAGE	Accessories	10
G1831886	DECAL:CAUTION:SET:ORIGINAL - ENGLISH	Accessories	11
G1831888	DECAL:CAUTION:SET:ORIGINAL - MULTI-LANGUAGE	Accessories	11
G1832550	ARM:SENSOR	U003_S001	12
G1832551	COIL SPRING:ARM:SENSOR	U003_S001	13
G1832552	SHEET:ADF:KILO	U003_S001	14
G1832553	COIL SPRING:GEAR:SLIDE	U003_S001	15
G1832554	GEAR:SLIDE	U003_S001	16
G1832555	CABLE:ADF	U003_S001	17
G1832558	PADDLE:ROLLER:EXIT	U003_S001	18
G1832559	DRIVEN ROLLER:EXIT	U003_S001	19
G1832560	SHAFT:DRIVEN ROLLER:EXIT	U003_S001	20
G1832561	COIL SPRING:EXIT	U003_S001	21
G1832562	COVER:EXIT	U003_S001	22
G1832563	PCB:DIP:ADF	U003_S001	23
G1832564	COVER:ADF	U003_S001	24
G1832565	SHEET:PRESSURE PLATE	U003_S001	25
G1832566	FLANGE:BUSHING:GEAR	U003_S001	26
G1832567	FRAME:LOWER	U003_S001	27
G1832569	COIL SPRING:PLATE	U003_S001	29
G1832570	PLATE	U003_S001	30
G1832571	SHEET:GUIDE	U003_S001	31
G1832572	FLANGE:BUSHING	U003_S001	32
G1832573	FEED ROLLER:ADF	U003_S001	33
G1832574	EXIT ROLLER:ADF	U003_S001	34
G1832576	COIL SPRING:FEED ROLLER:DRIV	U003_S001	35

Exclusive Parts

Number	Part Name	Group	ID
	EN		
G1832577	FEELER:SENSOR:FEED	U003_S001	36
G1832578	ARM:PRESSURE RELEASE	U003_S001	37
G1832579	DRIVEN ROLLER:FEED	U003_S001	38
G1832580	STAY:FEED	U003_S001	39
G1832582	SHAFT:DRIVEN ROLLER:FEED	U003_S001	41
G1832583	FIX STAND:SENSOR:FEED	U003_S001	42
G1832585	SHEET:FEELER:FEED	U003_S001	44
G1832586	PLATE:REAR	U003_S001	45
G1832587	GEAR:FEED:44T	U003_S001	46
G1832588	GEAR:EXIT:41T	U003_S001	47
G1832589	GEAR:20T39T	U003_S001	48
G1832590	GEAR:MIDDLE:32T	U003_S001	49
G1832591	GEAR:21T37T	U003_S001	50
G1832592	GEAR:51T	U003_S001	51
G1832593	GEAR:DRIVE:39T55T	U003_S001	52
G1832594	PLATE:MOTOR	U003_S001	53
G1832595	GEAR:DRIVE:40T56T	U003_S001	54
G1832598	ROLLER:BACK UP:FEED	U003_S001	56
G1832599	COIL SPRING:SHUTTER:PAPER	U003_S001	57
G1832600	SHUTTER:PAPER	U003_S001	58
G1832601	SEPARATION PAD:ADF	U003_S001	59
G1832602	FRAME:UPPER	U003_S001	60
G1832603	COIL SPRING:FEELER:SET SENSOR	U003_S001	61
G1832604	FEELER:SET SENSOR	U003_S001	62
G1832605	HOLDER:SEPARATION UNIT	U003_S001	63
G1832606	SHEET:STOPPER:EXIT	U003_S001	64
G1832607	DISCHARGE BRUSH:EXIT	U003_S001	65
G1832608	SEPARATION UNIT:ADF	U003_S001	66
G1832609	DC STEPPER MOTOR	U003_S001	67
G1832610	HINGE:LEFT	U003_S001	68
G1832611	HINGE:RIGHT	U003_S001	69
G1832612	PCB:DIP:SET SENSOR	U003_S001	71
G1832613	PCB:DIP:FEED	U003_S001	72
G1832614	PCB:DIP:ON OFF DETECTOR	U003_S001	70
G1835300	SPEAKER - DIA50	U012	55
G1835675	PCB:FAX:EU:ASS'Y	U012	56

Number	Part Name	Group	ID
G1835820	BRACKET - CONTROL BOARD	U012	57
G1835822	STOPPER:MEMORY:(M019)	U012	58
G1835823	BRACKET - INTERFACE	U012	59
G1835824	CASE - CORE	U012	60
G1835826	BRACKET - SPEAKER	U012	61
G8003133	SIDE FENCE GEAR	U009_S001	33
GA043030	TIMING BELT - 60S2M280	U005	24
GA082014	PLAIN SHAFT BEARING:DIA6:DIA10:9	U011_S001	20
GA082015	PLAIN SHAFT BEARING:DIA6:DIA9:7	U010_S001	56
GA120011	DISCHARGE BRUSH EXIT	U011_S001	11
GA132101	SPACER - 0.13 X 12MM	U005	25
GA132102	SPACER - 0.13 X 10MM	U005	26
GA145013	SHAFT - 6 X 39.5MM	U005	27
GA145014	SHAFT - 6 X 55.3MM	U005	28
GA148016	SHAFT - 6 X 26.7MM	U005	29
GA148018	SHAFT - 6 X 21.9MM	U005	30
GB010121	GEAR:AIO:DRIVE:1	U005	31
GB011101	GEAR - 37Z	U005	32
GB011102	GEAR - 19/38Z	U005	33
GB011103	GEAR - 28/36Z	U005	34
GB011104	GEAR - 20/35Z	U005	35
GB011105	GEAR - 29Z	U005	36
GB011106	GEAR - 22/31Z	U005	37
GB011108	GEAR - 21Z	U005	38
GB011109	GEAR - 28Z	U005	39
GB011110	GEAR - 31Z	U005	40
GB011111	GEAR - 19Z	U005	41
GB011112	GEAR - 29Z	U005	42
GB011118	REGIST DRIVE GEAR	U005	43
GB011133	GEAR - 15Z	U010_S001	50
		U011_S001	12
GB012101	GEAR - 33Z	U005	44
GB012102	GEAR - 54Z	U005	45
GB013068	IDLE GEAR - 20Z	U002_S001	20
GB013114	GEAR - 35Z	U005	46
GB013115	GEAR - 21Z	U005	47

Exclusive Parts

Number	Part Name	Group	ID
GB013117	GEAR - 19Z	U005	48
GB017053	IDLE GEAR - 15/25Z	U002_S001	21
GB017101	GEAR - 22/99Z	U005	49
GB017102	GEAR - 27/76Z	U005	50
GB017103	GEAR - 21/45Z	U005	51
GB017104	GEAR - 24/57Z	U005	52
GB017109	GEAR - 16/42Z	U005	53
GB017110	GEAR - 22/99Z CYAN	U005	54
GB017111	GEAR - 16/51Z	U005	55
GB017112	GEAR - 21/73Z	U005	56
GB017113	GEAR - 40/65Z	U005	57
GB017116	GEAR - 17/42Z	U005	58
GB017120	GEAR:AIO:JOINT:2	U005	59
GB030036	PULLEY - 18T	U005	60
GF020000	REGISTRATION ROLLER - DRIVE	U010_S001	51
GF020054	TRANSPORT ROLLER:DUPLX	U010_S001	52
GF020055	EXIT ROLLER	U011_S001	13
GX041120	STEPPER MOTOR - DC 14.8W	U005	61
GX060033	BRUSHLESS MOTOR:DC24V:10W	U005	62
GX060034	BRUSHLESS MOTOR:DC24V:24W	U005	63
GX060036	BRUSHLESS MOTOR:DC24V:40W	U005	64
GX201121	MAGNETIC CLUTCH	U005	65
		U009	34
GX450003	FUSING LAMP - 230V 1000W	U002_S001	22
GZ230034	POWER SUPPLY UNIT - 230V	U012	63
GZ300004	POWER PACK	U012	64
H5213355	C RING - PAPER FEED ROLLER	U009	40
J0121515	LOGO PLATE - NSA	Accessories	12
J0121516	LOGO PLATE - REX	Accessories	13
J0121517	LOGO PLATE - GES	Accessories	14
M0160415	DECAL:ID_CARDCOPY:EXP	Accessories	25
M0161601	GUIDE:FEED:DRIVEN	U003_S001	40
M0180692	INTERMEDIATE TRANSFER UNIT	U013	9
M0181102	BRACKET:MOTOR:ASS'Y	U005	66
M0181301	DECAL:NAME PLATE	Accessories	15
M0181304	DECAL:NAME PLATE:MF2B:NAS	Accessories	16
M0181305	DECAL:NAME PLATE:MF2B:REX	Accessories	17
M0181306	DECAL:NAME PLATE:MF2B:GES	Accessories	18

Number	Part Name	Group	ID
M0181324	DECAL:HIGH TEMPERATURE:110 CENTI DEGREE	Accessories	19
M0181402	OPERATION PANEL:EU	U007_S001	9
M0181450	COVER:OPERATION PANEL	U007_S001	10
M0181451	KEYTOP:MENU	U007_S001	11
M0181452	KEYTOP:SHIFT	U007_S001	12
M0181453	KEY:MENU	U007_S001	13
M0181454	KEY:SHIFT	U007_S001	14
M0181457	SHEET:PANEL:EU:PER-MF2	U007_S001	15
M0181459	SHEET:PANEL:EU_LANGUAGES	Accessories	20
M0181470	PCB:OPU	U007_S001	16
M0181601	SCANNER:ASS'Y	U008_S001	31
M0181826	COVER:SCANNER:FRONT:2	U008_S001	32
M0182562	BASE:ADHESION	U009_S001_S001	36
M0182608	COVER:BASE	U009_S001	37
M0183800	HOUSING:TRANSPORT SUB-UNIT: ASS'Y	U010_S001	53
M0183952	TRANSFER ROLLER:2:SUB-ASS'Y	U010_S001_S001	54
M0184450	GUIDE:EXIT:ASS'Y	U011_S001	15
M0184459	ROLLER:DRIVEN:EXIT:OUTER	U011_S001	17
M0184464	GUIDE:PLATE:EXIT:OUTER	U011_S001	19
M0185126	PCB:EGB	U012	65
M0185652	PCB:MAIN:ASS'Y	U012	66
M0185662	PCB:PDL:ASS'Y:(M019)	U012	67
M0185701	COVER:CONTROL BOARD:MF2C:A SS'Y:(M019)	U012	68
M0185711	COVER:CONTROL BOARD:MF2B:A SS'Y	U012	69
M0185752	SPACER:GROUND PLATE:FLAT C ABLE:SCANNER UNIT	U012	70
M0185753	SHEET:COVER:SHADEING PLATE: MEMORY	U012	71
M0185754	SCREW:(M019)	U012	72
M0185757	HARNESS COVER SHEET:ADF	U004	102
M0191301	DECAL:NAME PLATE	Accessories	21
M0191304	DECAL:NAME PLATE:MF2C:NAS	Accessories	22
M0191305	DECAL:NAME PLATE:MF2C:REX	Accessories	23
M0191306	DECAL:NAME PLATE:MF2C:GES	Accessories	24

Exclusive Parts

Number	Part Name	Group	ID
M0352527	PAPER TRAY ASS'Y	U009_S001	39
M0352620	FRICTION PAD:ADHESION	U009_S001	38
M0754607	SPRING:PRESSURE:DUPLEX	U010	48
M0963912	HOLDER:GUIDE PLATE:REVERSE	U010	57
M0963926	ROLLER:GUIDE:EXIT:MIDDLE	U010	27
M0963987	DECAL:GRIP:HOUSING	U010_S001	43
M0963993	RESISTOR:EARTH:PAPER FEED	U004	66
M0964458	SPRING:PRESSURE:EXIT:INNER	U011_S001	22
M0964460	SPRING:PRESSURE:EXIT:OUTER	U011_S001	21
M0991757	CASE:SCANNER:UPPER:ASS'Y	U008_S001	11
M1003902	COVER:FRONT	U010	49
M1981085	SPRING PLATE:LSU:POSITIONING	U004	103
M1982580	SHAFT:PAPER FEED ROLLER:PRE SS FIT	U009	41

Standard Parts



03530030N
SCREW:M3X3



03530040N
SCREW - M3X4



03530060N
BIND SCREW - M3X6



03603006N
SCREW - M3X6



03603010N
SCREW:M3X10



04503008N
TAPPING SCREW - M3X8



04503010N
TAPPING SCREW - M3X10



04503016N
TAPPING SCREW:3X16



04504010N
TAPPING SCREW:M4X10



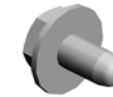
04523006N
BINDING SELF-TAPPING SCREW:3X6



04523010N
BINDING SELF-TAPPING SCREW:3X10



04524010N
BINDING SELF-TAPPING SCREW:4X10



04543006Q
TAPPING SCREW - M3X6



04543008Q
TAPPING SCREW:3X8



07200030E
RETAINING RING - M3



07200040E
RETAINING RING - M4



07200060E
RETAINING RING - M6



08050088
RETAINING RING - M6



08050089
RETAINING RING - M4



09543008N
SCREW - M3X8



09573010N
SCREW:SMALL ROUND/SPRING:M3X10



11024473
CT CONNECTOR - 2P



11024559
CONNECTOR - 3P



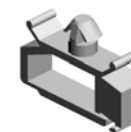
11033902
CONNECTOR - 10P



11050487
HARNESS CLAMP



11050508
HARNESS CLAMP - LWS-071
1



11050516
CLAMP



11050518
EDGE SADDLE - LES-1010

Standard Parts



11500457
POWER SUPPLY CODE:250V
:10A:EU



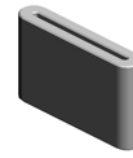
12042612
MICRO SWITCH:D3V-16506-3
C25



14076657
EEPROM:BR93L76-W



16070892
FERRITE CORE - ZCAT1518-
0730



16072056
FERRITE CORE:33.5X6.5X20

Design Change List

Number	Title	Set	Old Part		New Part		Index No.		Q'ty	Interchg		Reason	Cut-in S/N
			P/N	Name	P/N	Name	Group	ID		Indiv.	Set		
201601-01	1601 Modification	-	G1664607	PRESSURE SPRING - DUPLEX RO	M0754607	SPRING:PRESSURE:DUPLEX	U010	48	2	O/O			M01822: M01827:
201506-01	1506 Modification	-	G1661851	IMAGING UNIT:ASSY	G1661852	IMAGING UNIT:ASSY	U001	1	1	O/O			M01822: M01827:
201411-01	1411 Modification	-	G1665430	POWER SUPPLY CORD -250V 10A EU	11500457	POWER SUPPLY CODE:250V:10A:EU	Accessories	26	1	O/O			M01822: M01827:
			G1665430	POWER SUPPLY CORD -250V 10A EU	11500457	POWER SUPPLY CODE:250V:10A:EU	Accessories	26	1	O/O			
201410-01	1410 Modification	-	G1831761	COVER:CARRIAGE:UPPER	G1831765	CCD:MODULE:ASSY	U008_S001	33	1	X/O			M01822: M01827:
201303-01	1303 Modification	-	G1664013	FUSING UNIT - 2 20V	G1664027	FUSING UNIT - 2 20V	U002_S001	24	1	O/O			M01822: M01827:
201306-01	1306 Modification	-	M0184458	SPRING:PRESSURE:EXIT:INNER	M0964458	SPRING:PRESSURE:EXIT:INNER	U011_S001	22	2	O/O			M01822: M01827:
201307-01	1307 Modification	-	G1663853	BUSHING - 6MM	GA082015	PLAIN SHAFT BEARING:DIA6:DIA9:7	U010_S001	56	6	O/O			M01822: M01827:
201307-02	1307 Modification	-	G1663912	GUIDE PLATE HOLDER	M0963912	HOLDER:GUIDE PLATE:REVERSE	U010	57	1	O/O			M01822: M01827:
201308-01	1308 Modification	A	G1662580	SHAFT - PAPER FEED ROLLER	M1982580	SHAFT:PAPER FEED ROLLER:PRESS FIT	U009	41	1	X/X	X/O		M01822: M01827:
201308-02	1308 Modification	A	08050089	RETAINING RING - M4	H5213355	C RING - PAPER FEED ROLLER	U009	40	1	X/X	X/O		M01822: M01827:
201309-01	1309 Modification	-	G1661085	SPRING PLATE:LSU:POSITIONING	M1981085	SPRING PLATE:LSU:POSITIONING	U004	103	1	X/O			M01822: M01827:
201302-01	1302 Modification	-	G1831757	CASE:SCANNER:UPPER	M0991757	CASE:SCANNER:UPPER:ASSY	U008_S001	11	1	X/O			M01822: M01827:

Design Change List

Number	Title	Set	Old Part		New Part		Index No.		Q'ty	Interchg		Reason	Cut-in S/N
			P/N	Name	P/N	Name	Group	ID		Indiv.	Set		
201301-01	1301 Modification	-	M0181600	SCANNER:ASS'Y	M0181601	SCANNER:ASS'Y	U008_S001	31	1	X/O			M01822: M01827:
201209-01	1209 Modification	-	M0184460	SPRING:PRESSURE:EXIT:OUTER	M0964460	SPRING:PRESSURE:EXIT:OUTER	U011_S001	21	1	O/O			M01822: M01827:
			M0184460	SPRING:PRESSURE:EXIT:OUTER	M0964460	SPRING:PRESSURE:EXIT:OUTER	U011_S001	21	1	O/O			
201207-01	1207 Modification	-	GZ300003	POWER PACK	GZ300004	POWER PACK	U012	64	1	O/O			M01822: M01827:
201206-01	1206 Modification	-	G1833902	FRONT COVER	M1003902	COVER:FRONT	U010	49	1	O/O			M01822: M01827:
201202-01	1202 Modification	-	G1832581	GUIDE:FEED:DRIVEN	M0161601	GUIDE:FEED:DRIVEN	U003_S001	40	1	X/O			M01822: M01827:
201111-01	1111 Modification	-	G1663926	EXIT GUIDE ROLLER - MIDDLE	M0963926	ROLLER:GUIDE:EXIT:MIDDLE	U010	27	1	O/O			M01822: M01827:
201111-02	1111 Modification	-	G1663993	RESISTOR - 100M OHM +-10% 0.5W	M0963993	RESISTOR:EARTH:PAPER FEED	U004	66	1	O/O			M01822: M01827:
201111-03	1111 Modification	-	GW020020	PHOTOINTERRUPTOR:LG248NL1	AW020198	PHOTOINTERRUPTOR:LG2A14NL1	U011_S001	14	1	O/O			M01822: M01827:
							U012	62	4				
201110-01	1110 Modification	-	G1663991	GRIP DECAL	M0963987	DECAL:GRIP:HOUSING	U010_S001	43	1	O/O			M01822: M01827:
			G1663991	GRIP DECAL	M0963987	DECAL:GRIP:HOUSING	U010_S001	43	1	O/O			
201110-02	1110 Modification	-	G1831820	CASE:SCANNER:UPPER			U008_S001	26	1				M01822: M01827:
201106-01	1106 Modification	-	G1831752	GEAR:SCANNER:ASS'Y	G1831753	PULLEY:CARRIAGE:ASS'Y	U008_S001	7	1			correction	M01822: M01827:
201106-02	1106 Modification	-	G1831753	PULLEY:CARRIAGE:ASS'Y	G1831752	GEAR:SCANNER:ASS'Y	U008_S001	6	1			correction	M01822: M01827:

Design Change List

Number	Title	Set	Old Part		New Part		Index No.		Q'ty	Interchg		Reason	Cut-in S/N
			P/N	Name	P/N	Name	Group	ID		Indiv.	Set		
201009-01	1009 Modification	-	G1664398	DECAL - HIGH TEMPERATURE	G1664310	DECAL:WARNING (HIGH TEMPERATURE):1:CUD	U002_S001	23	1	X/O			M01822: M01827:
201009-02	1009 Modification	-			M0185757	HARNESS COVER SHEET:ADF	U004	102	1				M01822: M01827:
201009-03	1009 Modification	-	GA082010	BUSHING:DIA6:DIA10:9	GA082014	PLAIN SHAFT BEARING:DIA6:DIA10:9	U011_S001	20	2	O/O			M01822: M01827:
201007-01	1007 Modification	-			11033902	CONNECTOR - 10P	U012	74	1				M01822: M01827:
201004-01	1004 Modification	-			G1831012	SHAFT:LOCK:ASSY	U004	101	1				M01822: M01827:
201002	1002 Modification	-			G1633978	TRANSFER ROLLER	U010_S001_S001	55	1				M01822: M01827:
			M0182527	PAPER TRAY	M0352527	PAPER TRAY ASSY	U009_S001	39	1	O/O			
201001	1001 Modification	-	G1665747	ARM - SAFETY SWITCH	G1665754	ARM:LINK:SAFETY SWITCH	U012	73	1	X/O			M01822: M01827:
200912	0912 Modification	-			M0160415	DECAL:ID_CARD COPY:EXP	Accessories	25	1				M01822: M01827:
200911	0911 Modification	-	G1662620	FRCTION PAD	M0352620	FRICTION PAD:ADHESION	U009_S001	38	1	O/O			M01822: M01827:
200910	0910 Modification	-	G1663292	COLOR DECAL - CYAN	G1663333	DECAL - CYAN	U004	63	1	X/O			M01822: M01827:
			G1663293	DECAL - YELLOW	G1663334	DECAL - YELLOW	U004	64	1	X/O			
			G1663290	DECAL - BLACK	G1663331	DECAL - BLACK	U004	62	1	X/O			
200908	0908 Modification	-	G1832568	PCB:DIP:SET SENSOR	G1832612	PCB:DIP:SET SENSOR	U003_S001	71	1	X/O			M01822: M01827:
			G1832584	PCB:DIP:FEED	G1832613	PCB:DIP:FEED	U003_S001	72	1	X/O			

Design Change List

Number	Title	Set	Old Part		New Part		Index No.		Q'ty	Interchg		Reason	Cut-in S/N
			P/N	Name	P/N	Name	Group	ID		Indiv.	Set		
200906	0906 Modification	-	G1662571	SHEET - CASSETTE	G1831784	SHEET:SCANNER	U008_S001	34	1	X/O		M01822: M01827:	
			G1832596	PCB:DIP:ON OFF DETECTOR	G1832614	PCB:DIP:ON OFF DETECTOR	U003_S001	70		X/O			
200905-2	0905 Modification	-	G1831763	CCD:MODULE	G1831765	CCD:MODULE:ASS'Y	U008_S001	33	1	X/O		M01822: M01827:	
					M0183952	TRANSFER ROLLER:2:SUB-ASS'Y	U010_S001_S001	54					
200905	0905 Modification	-			AA132013	SPACER - 8.2	U009_S001	7	1			M01822: M01827:	
					D0094511	SPACER:DIA8.0:1.5MM	U009_S001	9		1			

