

**Model PL-MF
(G157)
PARTS CATALOG**

First edition, January 2006

Ricoh Company, LTD.

Model PL-MF (G157)

PARTS CATALOG

This catalog gives the numbers and names of parts on this machine.

Model PL-MF	(G157)
Paper Feed Unit Type 1000	(G389)

Model PL-MF (G157)

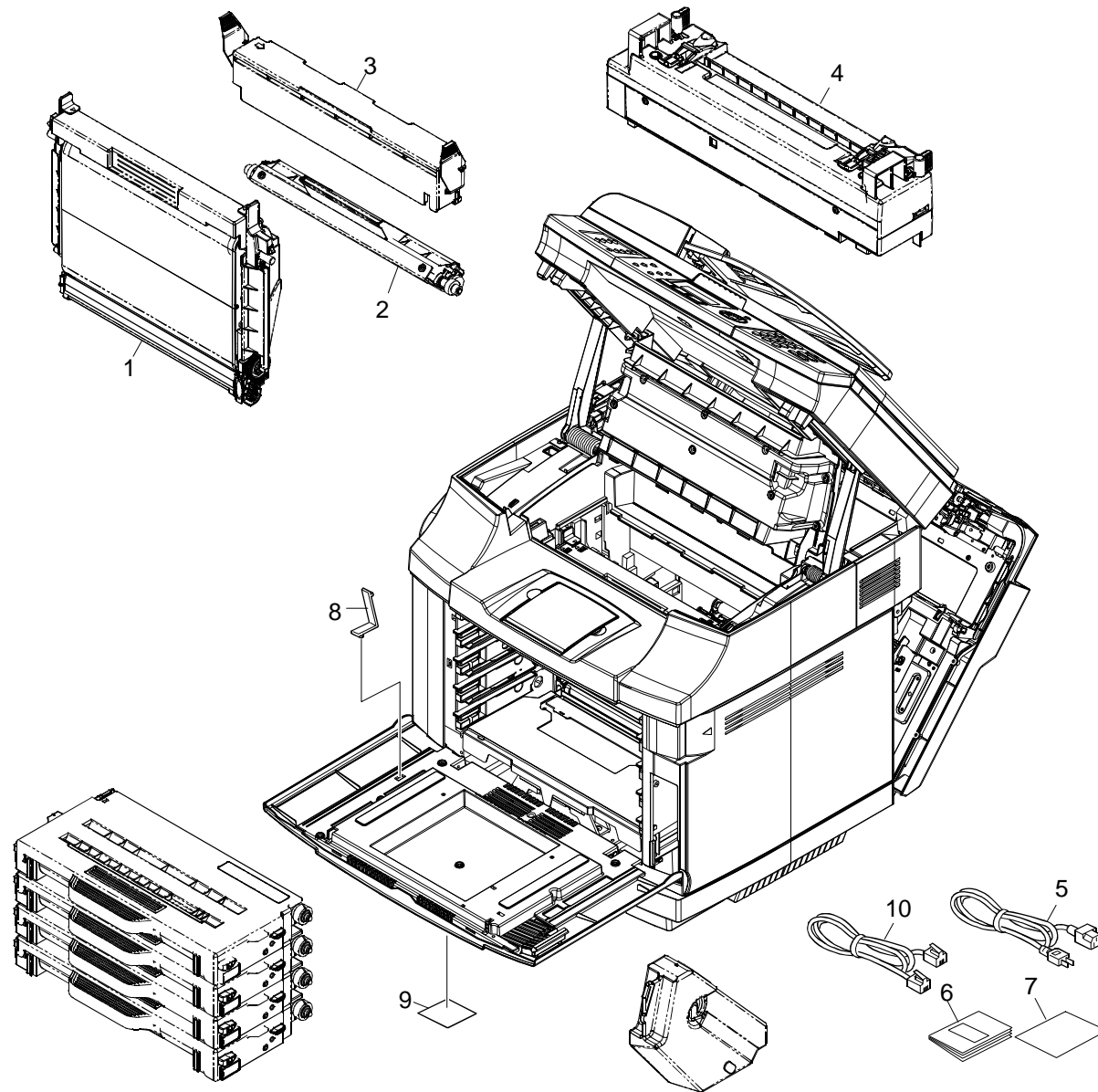
PARTS CATALOG

This catalog gives the numbers and names of parts on this machine.

1.CONSUMABLES (G157)	2
2.TOP AND RIGHT SIDE PARTS (G157)	4
3.LEFT SIDE PARTS (G157).....	6
4.PAPER FEED & TRANSFER (G157)	8
5.FUSER UNIT (G157)	10
6.PAPER EXIT SECTION (G157).....	12
7.EXTERIOR (G157)	14
8.OPERATION PANEL (G157).....	16
9.DOCUMENT FEED SECTION (G157)	18
10.PAPER CASSETTE (G157).....	20
PARTS INDEX.....	23

January ,10 ' 2006

1.CONSUMABLES (G157)

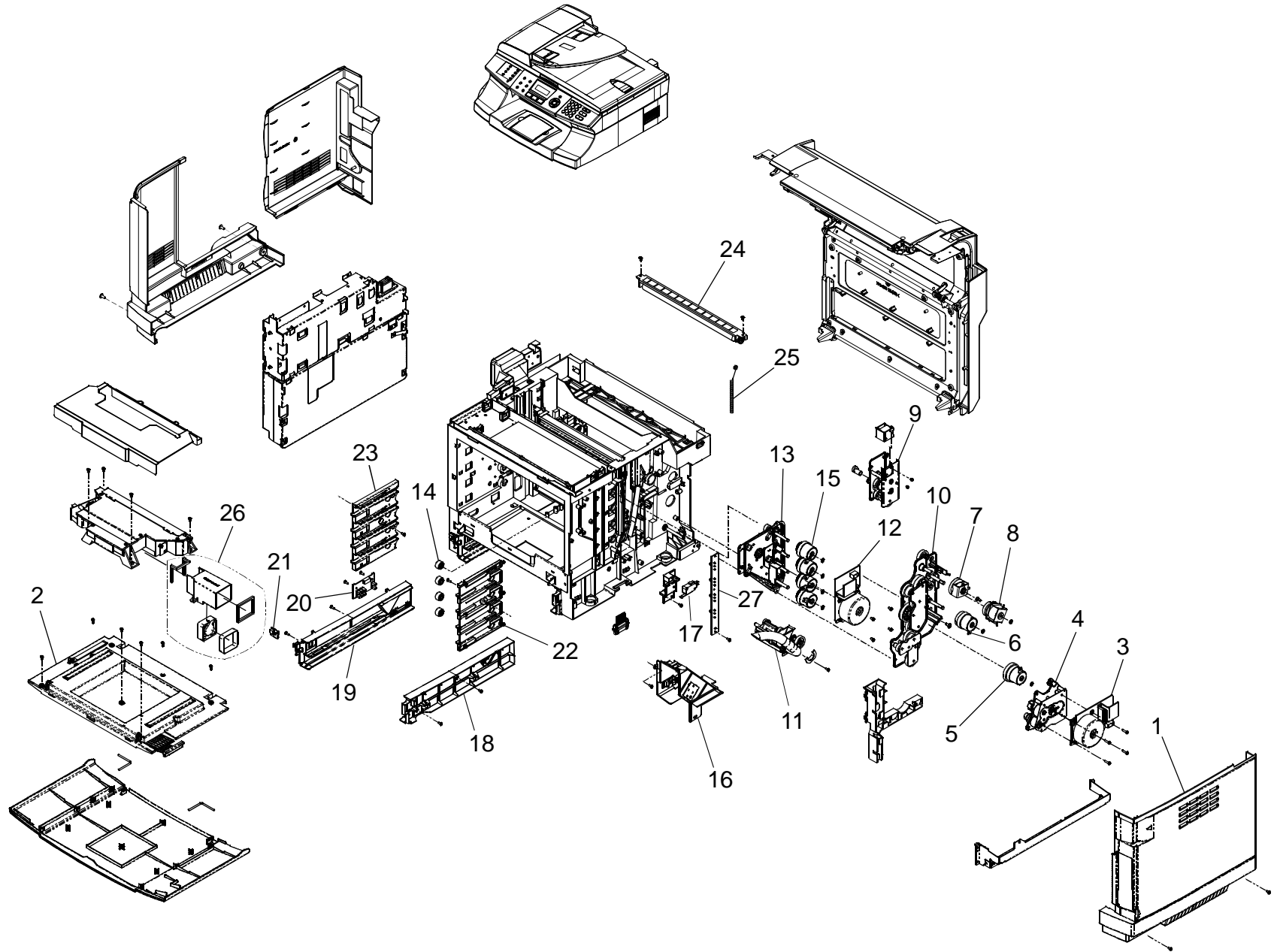


1.CONSUMABLES (G157)

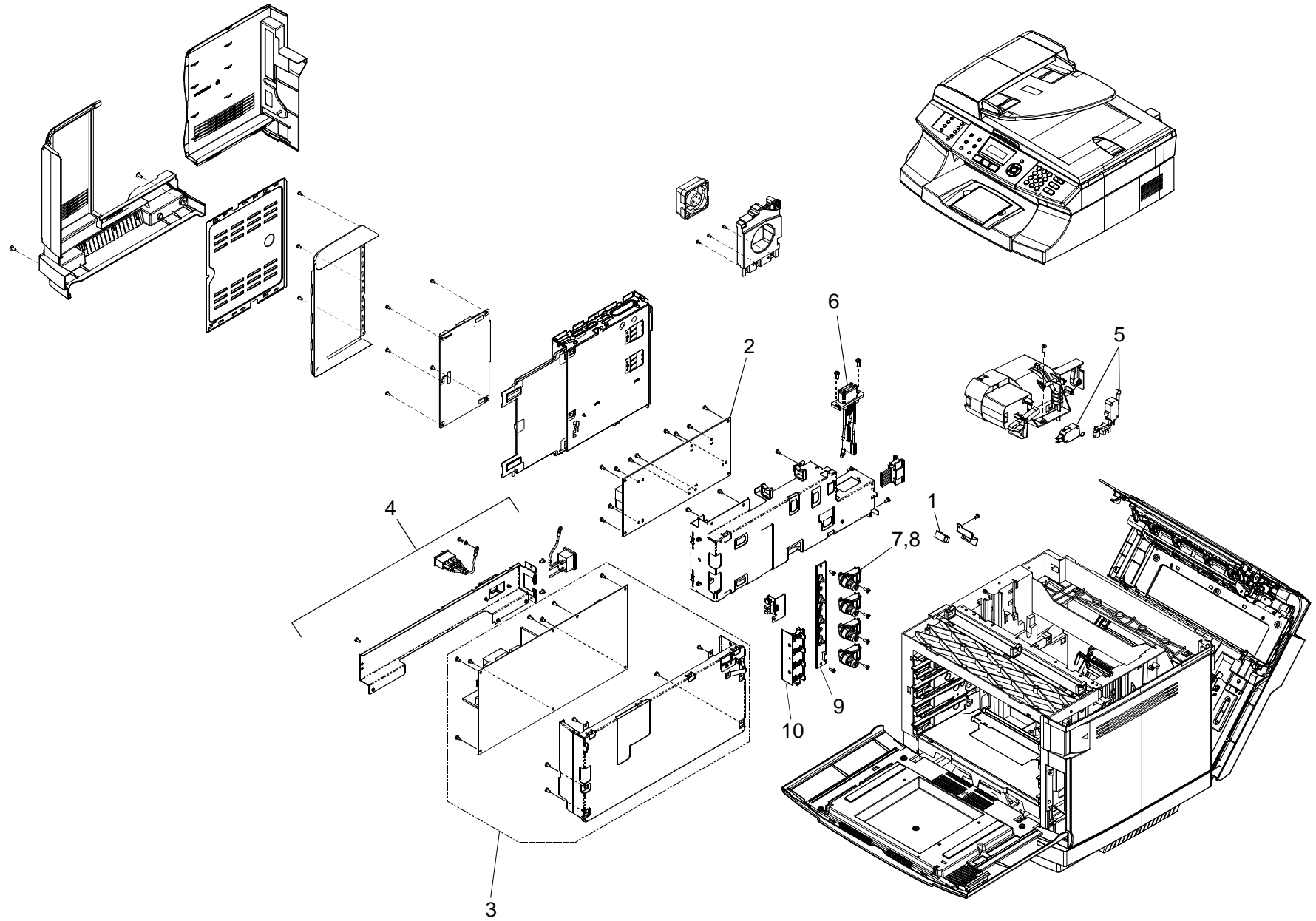
Index No.	Part No.	Description	Q'ty Per Assembly
1	V128 403	OPC Carger Roller PU	1
2	V128 404	Cleaning Roller PU	1
3	V128 664	Cleaning Roller Cover PU	1
4	V128 622	Fusing Unit (110V) FU	1
4	V128 623	Fusing Unit (220V) FU	1
5	V121 265	Power Cord (EC)	1
5	V128 409	Power Cord (110 V) PU	1
6	G157 3104	Users Guide - US English	1
7	G157 3004	Quick Setup Guide - US English	1
8	V128 449	Front Band PU	1
9	G139 2690	Plate - Logo RIC	1
9	G157 5051	Decal - Aficio SPC210SF	1
10	H523 5350	Telephone Cable (US Only)	1

Index No.	Part No.	Description	Q'ty Per Assembly

2.TOP AND RIGHT SIDE PARTS (G157)



3.LEFT SIDE PARTS (G157)

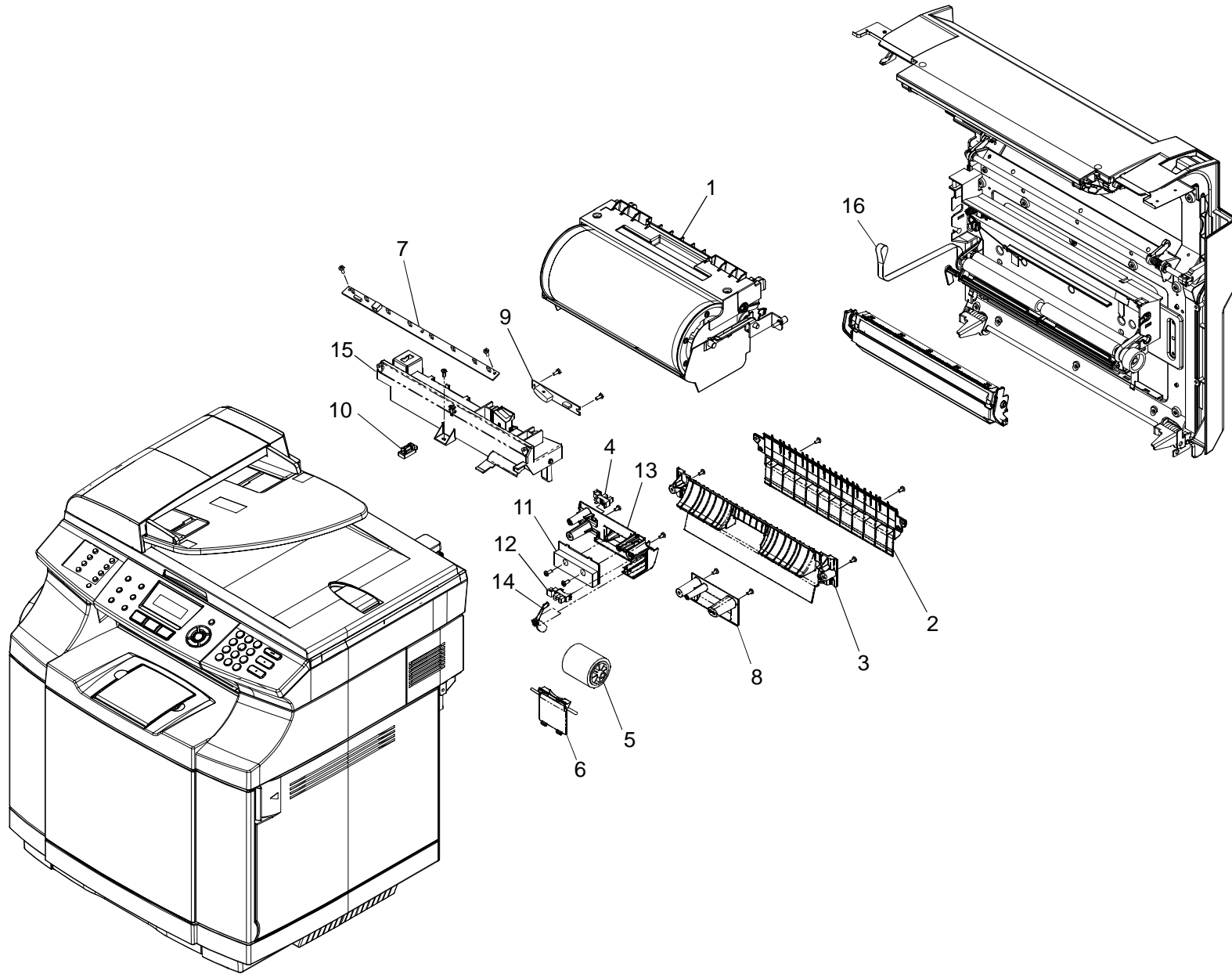


3.LEFT SIDE PARTS (G157)

Index No.	Part No.	Description	Q'ty Per Assembly
1	V126 168	Belt Sensor	1
2	V128 451	HV Power Supply PU	1
3	V128 675	LV Power Supply (110V) RoHS	1
3	V128 676	LV Power Supply (220V) RoHS	1
4	V128 612	Power Supply Bracket (110V) PU	1
4	V128 613	Power Supply Bracket (220V) PU	1
5	V128 436	Interlock Switch PU	1
6	V128 457	Fuser Connector (110V) PU	1
6	V128 458	Fuser Connector (220V) PU	1
7	V128 459	Toner Retract Solenoid PU	4
8	V128 460	Toner Retract Cam PU	4
9	V126 169	Toner Sensor Assy	1
10	V128 461	Toner Present Sensor PU	1

Index No.	Part No.	Description	Q'ty Per Assembly

4.PAPER FEED & TRANSFER (G157)

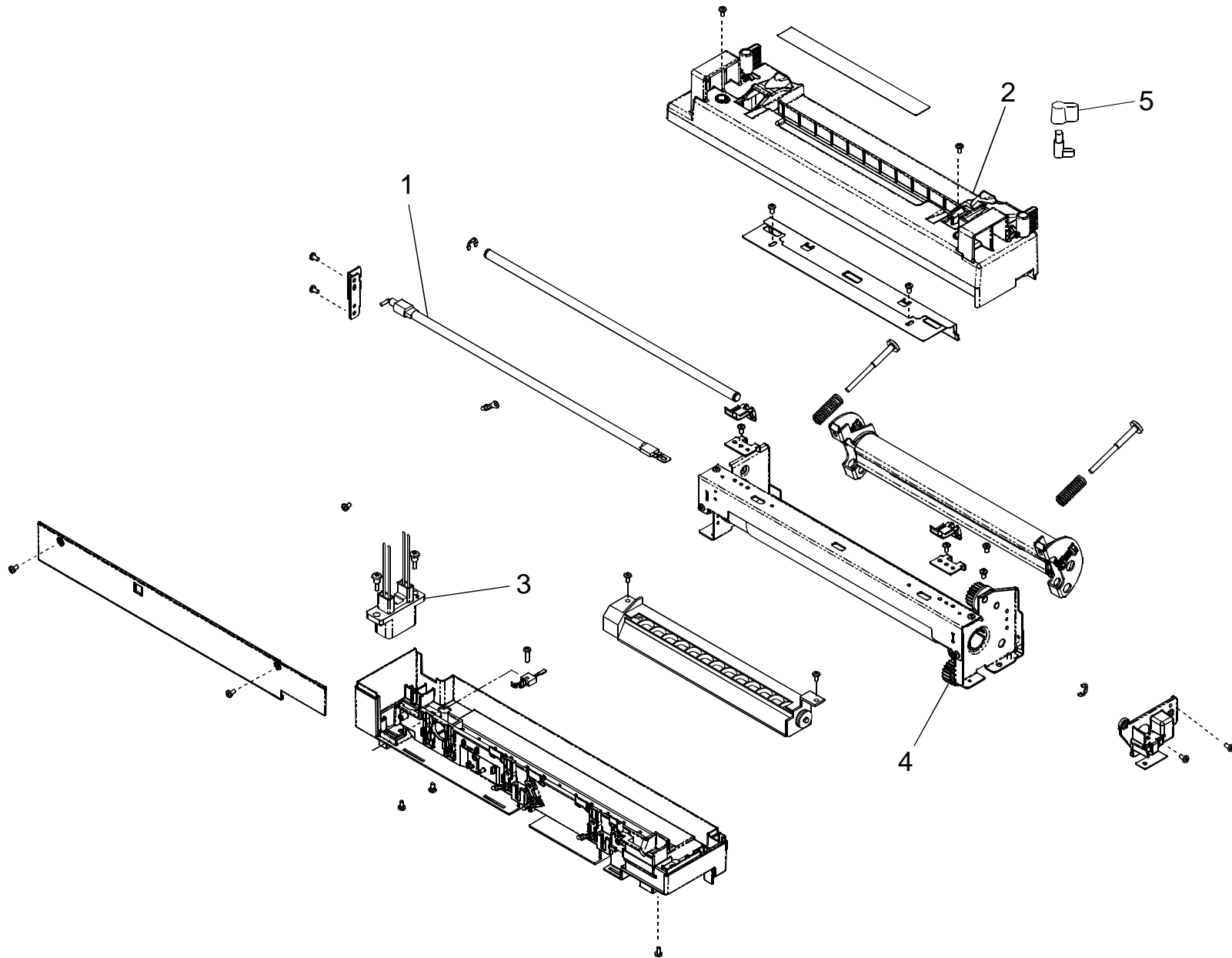


4.PAPER FEED & TRANSFER (G157)

Index No.	Part No.	Description	Q'ty Per Assembly
1	V128 463	Transfer Unit PU	1
2	V128 464	Paper Guide (A) PU	1
3	V128 465	Paper Guide (B) PU	1
4	V126 167	Paper Sensor	1
5	V126 142	Paper Feeding Roller	1
6	V128 468	Separator Pad (2)	1
7	V128 469	Erase Lamp PU	1
8	V128 470	Paper Guide (D) PU	1
9	V128 471	Toner Density Sensor PU	1
10	V126 168	Belt Sensor	1
11	V126 648	OHP Sensor 3	1
12	V126 167	Paper Sensor	1
13	V128 466	Paper Guide (C) PU	1
14	V128 467	Tray Empty Actuator PU	1
15	V128 472	Sensor Stay Assy PU	1
16	V128 498	TR Unit Band	1

Index No.	Part No.	Description	Q'ty Per Assembly

5.FUSER UNIT (G157)

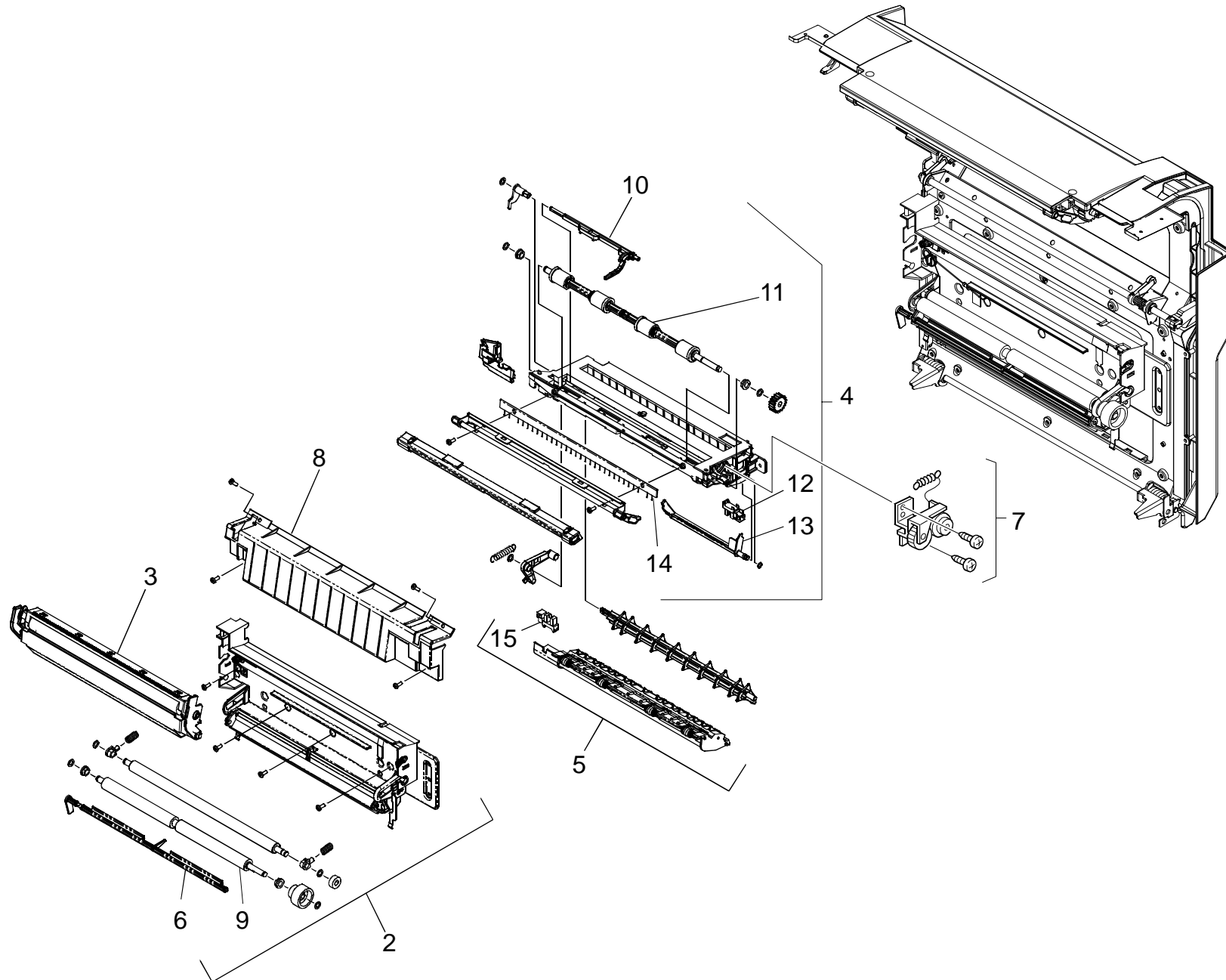


5.FUSER UNIT (G157)

Index No.	Part No.	Description	Q'ty Per Assembly
1	V128 473	Fuser Lamp (110V) FU	1
1	V128 474	Fuser Lamp (220V) FU	1
2	V128 606	Top Fuser Cover FU	1
3	V128 477	Fuser Connector (110V) FU	1
3	V128 478	Fuser Connector (220V) FU	1
4	V128 481	Idle GearZ20 FU	1
5	V128 480	Lock Knob Kit FU	1

Index No.	Part No.	Description	Q'ty Per Assembly

6.PAPER EXIT SECTION (G157)

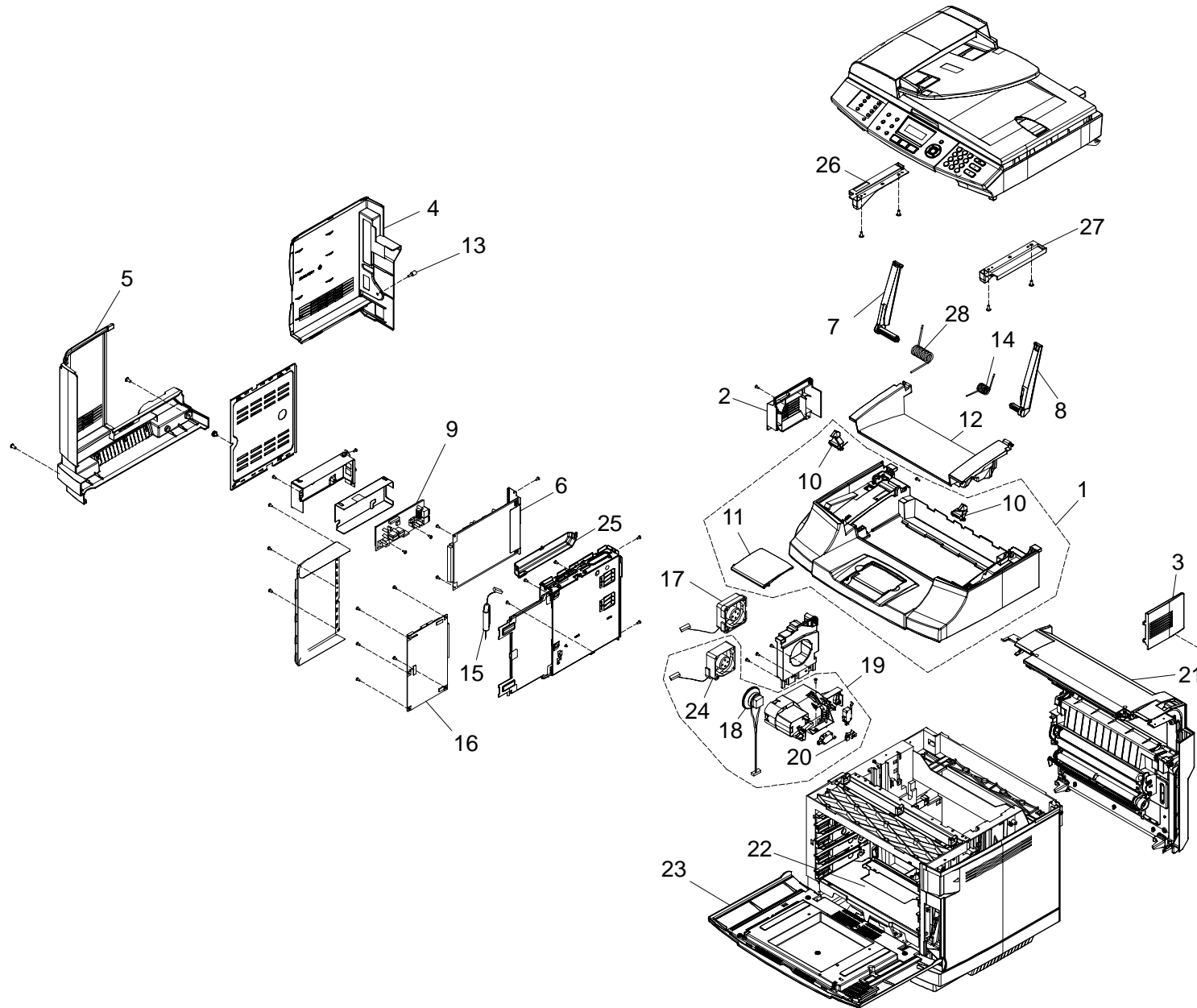


6.PAPER EXIT SECTION (G157)

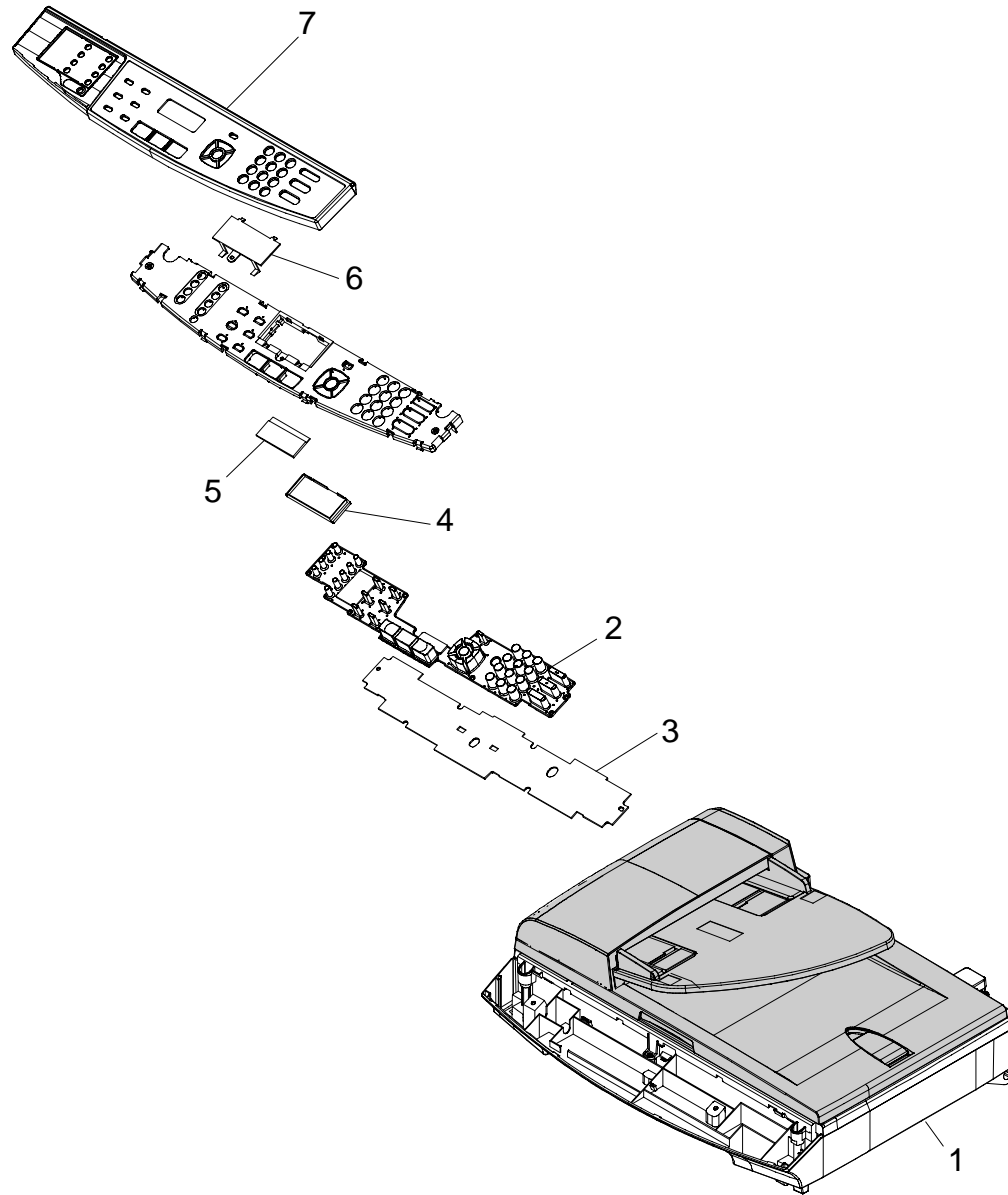
Index No.	Part No.	Description	Q'ty Per Assembly
2	V128 611	Transfer Base Assy PU	1
3	V128 488	Transfer Roller Assy PU	1
4	V128 489	Exit Guide Assy PU	1
5	V128 492	Exit Idle Roller Assy PU	1
6	V128 486	Registration Actuator PU	1
7	V128 494	Exit Drive Assy PU	1
8	V128 495	Transfer Roller Guide PU	1
9	V128 487	Registration Roller Assy PU	1
10	V128 497	Paper Exit Actuator PU	1
11	V128 490	Exit Roller Assy PU	1
12	V126 167	Paper Sensor	1
13	V128 491	Fuser Exit Actuator PU	1
14	V123 842	Discharge Brush	1
15	V126 167	Paper Sensor	1

Index No.	Part No.	Description	Q'ty Per Assembly

7.EXTERIOR (G157)



8.OPERATION PANEL (G157)

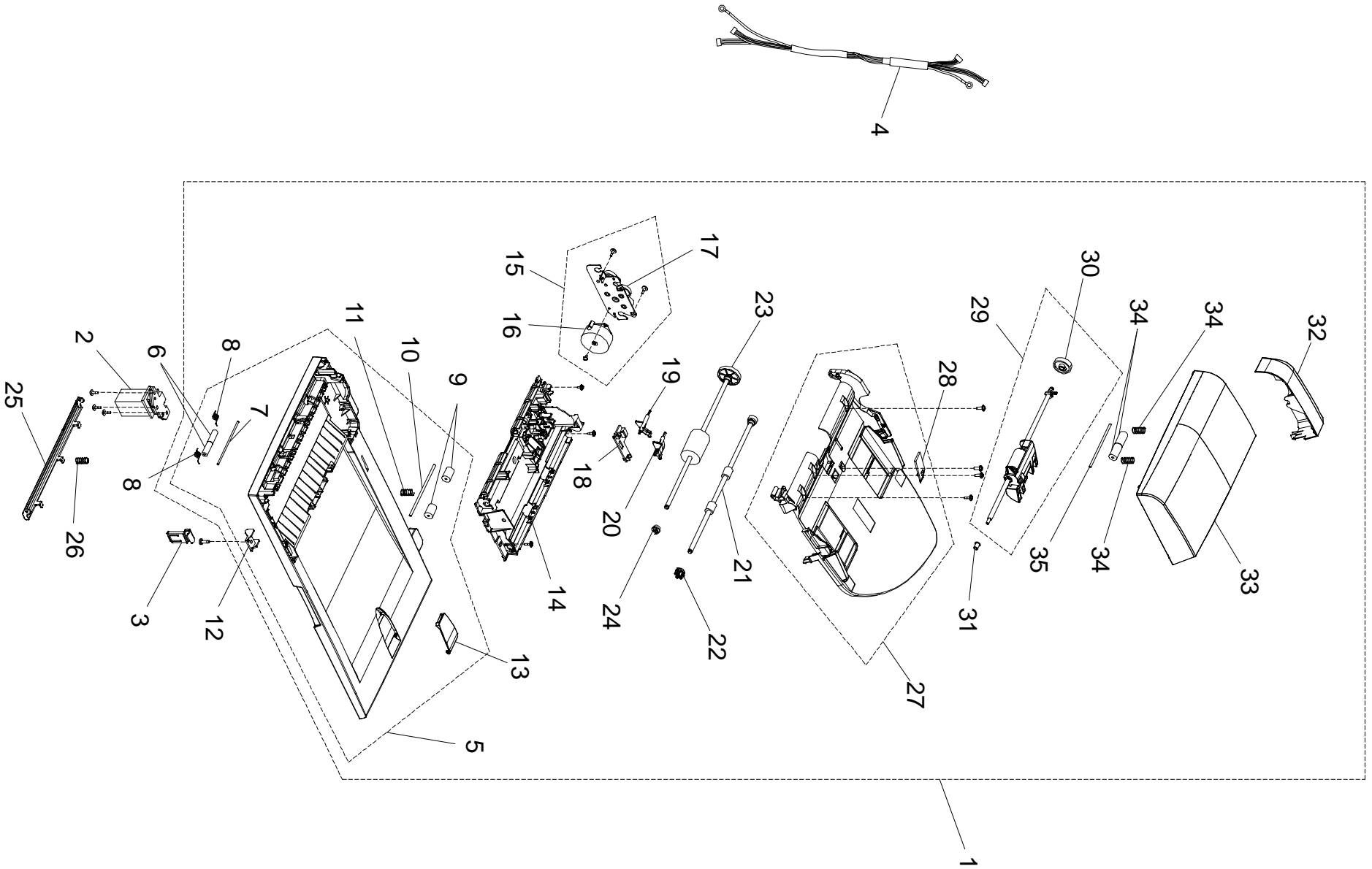


8.OPERATION PANEL (G157)

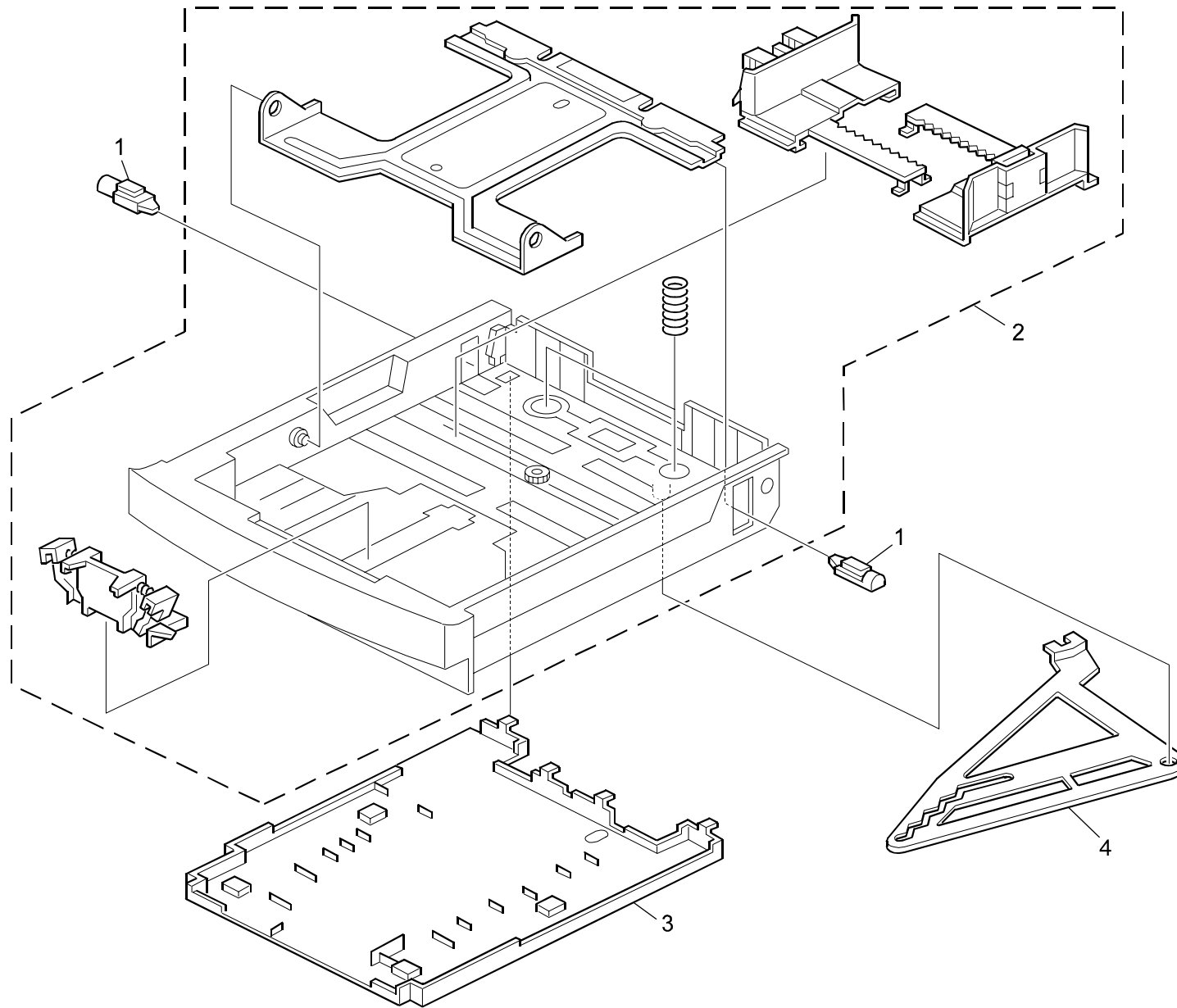
Index No.	Part No.	Description	Q'ty Per Assembly
1	V121 346	Sanner Unit (SP) With out ADF	1
2	V121 336	Rubber Button Pad-Operation Panel	1
3	V121 337	Panel PCB Assy	1
4	V121 338	LCD Backlight Module	1
5	V121 339	LCD	1
6	V121 340	LCD Cover	1
7	V121 341	Panel Cover Assy, For US	1
7	V121 343	Panel Cover (ASA/OCE)	1
7	V121 344	Panel Cover EC	1

Index No.	Part No.	Description	Q'ty Per Assembly

9.DOCUMENT FEED SECTION (G157)



10.PAPER CASSETTE (G157)



10.PAPER CASSETTE (G157)

Index No.	Part No.	Description	Q'ty Per Assembly
*	V128 410	Paper Cassette (A4) PU	1
1	V128 558	CP Lach Lever	1
2	V128 559	CP Cassette Base	1
3	V128 555	CP Back Cover	1
4	V128 556	CP Size Detect Lever	1

Index No.	Part No.	Description	Q'ty Per Assembly
-----------	----------	-------------	-------------------

Parts Index

Parts Index

Part No.	Description	Page and Index No.
G157 3004	Quick Setup Guide - US English	3 - 7
G157 3104	Users Guide - US English	3 - 6
G157 5051	Decal - Aficio SPC210SF	3 - 9

Part No.	Description	Page and Index No.
G139 2690	Plate - Logo RIC	3 - 9
H523 5350	Telephone Cable (US Only)	3 - 10

Part No.	Description	Page and Index No.
V121 265	Power Cord (EC)	3 - 5
V121 266	Top Cover Assy	15 - 1
V121 267	Scanner Arm L	15 - 7
V121 268	Scanner Arm R	15 - 8
V121 269	IS Lock Lever Assy	15 - 10
V121 270	Tray (TP)	15 - 11
V121 271	Top Center Cover Assy	15 - 12
V121 272	Top Side L	15 - 2
V121 273	Top Side R	15 - 3
V121 274	Side Cover LR	15 - 4
V121 275	Side Cover LF Assy	15 - 5
V121 277	Nickel Hydride Battery(EX)	15 - 15
V121 278	Engine Controller Board MSL1	15 - 16
V121 279	Heater Fan Assy	15 - 17
V121 280	Speaker	15 - 18
V121 281	Inter Lock Assy	15 - 19
V121 282	Rear Cover Assy	15 - 21
V121 283	Laser Assy MSL	15 - 22
V121 284	μFC Controller Board (US)	15 - 6
V121 285	μFC Controller Board (EC)	15 - 6
V121 287	NCU Boad (US)	15 - 9
V121 288	NCU Boad (ASA)	15 - 9
V121 289	NCU Boad (OCE)	15 - 9
V121 290	NCU Boad (EUR)	15 - 9
V121 292	Power Supply Fan Assy	15 - 24
V121 293	Harness Guide S	15 - 25
V121 294	Scanner Slider L	15 - 26
V121 295	Scanner Slider R	15 - 27
V121 296	Is Lift Spring L2	15 - 28
V121 297	Is Lift Spring R2	15 - 14
V121 298	Front Door Assy	15 - 23
V121 299	Knur Biss with Groove 2	15 - 13
V121 300	Document Cover Assy	19 - 1
V121 301	Document Cover Sub	19 - 5
V121 302	Pressure Roller LF2	19 - 6

Part No.	Description	Page and Index No.
V121 303	Pressure Shaft	19 - 7
V121 304	LF2 Spring	19 - 8
V121 305	Ejection Roller B4	19 - 9
V121 306	Pressure Shaft EJ	19 - 10
V121 307	Ejection Spring	19 - 11
V121 308	Hinge Arm	19 - 12
V121 309	Document Stopper	19 - 13
V121 310	Lower Document Chute	19 - 14
V121 311	Drive Frame Assy	19 - 15
V121 312	ADF Motor – DC96W	19 - 16
V121 313	ADF Sensor PCB	19 - 18
V121 314	Actuator R	19 - 19
V121 315	Actuator F	19 - 20
V121 316	Ejection Roller Assy	19 - 21
V121 317	Ejection Bearing	19 - 22
V121 318	LF Roller Assy	19 - 23
V121 319	Resin Bearing	19 - 24
V121 320	Document Hold	19 - 25
V121 321	Document Hold Spring	19 - 26
V121 322	Upper Document Chute Assy	19 - 27
V121 323	Separation Rubber Assy	19 - 28
V121 324	Separate Shaft	19 - 29
V121 325	Separate Roller Gear	19 - 30
V121 326	Bushing 6N	19 - 31
V121 327	Gaer Cover	19 - 32
V121 328	ADF Cover	19 - 33
V121 329	LF Spring	19 - 34
V121 330	Pressue Roller	19 - 35
V121 331	Hinge Assy L	19 - 2
V121 332	Hinge	19 - 3
V121 336	Rubber Button Pad-Operation Panel	17 - 2
V121 337	Panel PCB Assy	17 - 3
V121 338	LCD Backlight Module	17 - 4
V121 339	LCD	17 - 5
V121 340	LCD Cover	17 - 6

Part No.	Description	Page and Index No.
V121 341	Panel Cover Assy, For US	17 - 7
V121 343	Panel Cover (ASA/OCE)	17 - 7
V121 344	Panel Cover EC	17 - 7
V121 345	ADF Harness Unit	19 - 4
V121 346	Sanner Unit (SP) With out ADF	17 - 1
V121 347	ADF Drive Gear Assy	19 - 17
V123 842	Discharge Brush	13 - 14
V126 142	Paper Feeding Roller	9 - 5
V126 167	Paper Sensor	13 - 15
V126 167	Paper Sensor	13 - 12
V126 167	Scanner Door Sensor	15 - 20
V126 167	Paper Sensor	9 - 4
V126 167	Paper Sensor	9 - 12
V126 168	Belt Sensor	7 - 1
V126 168	Belt Sensor	9 - 10
V126 169	Toner Sensor Assy	7 - 9
V126 639	TR Cam Clutch 3	5 - 8
V126 648	OHP Sensor 3	9 - 11
V128 403	OPC Carger Roller PU	3 - 1
V128 404	Cleaning Roller PU	3 - 2
V128 409	Power Cord (110 V) PU	3 - 5
V128 410	Paper Cassette (A4) PU	21 - *
V128 417	Right Side Cover PU	5 - 1
V128 419	Inner Front Cover PU	5 - 2
V128 423	Main Motor PU	5 - 3
V128 424	OPC Drive Gear Assy PU	5 - 4
V128 425	Paper Feed Clutch PU	5 - 5
V128 426	Registration Clutch PU	5 - 6
V128 427	Fuser Clutch PU	5 - 7
V128 428	Cleaning Roller Clutch PU	5 - 9
V128 429	Main Drive Gear Assy PU	5 - 10
V128 430	Waste Toner Feeder PU	5 - 11
V128 431	Developer Motor PU	5 - 12
V128 432	Developer Drive Assy PU	5 - 13
V128 433	Developer Gear PU	5 - 14

Part No.	Description	Page and Index No.
V128 434	Developer Clutch PU	5 - 15
V128 435	Waste Toner Holder Assy PU	5 - 16
V128 436	Interlock Switch PU	7 - 5
V128 436	Interlock Switch PU	5 - 17
V128 438	Right Tray Guide PU	5 - 18
V128 440	Paper Size Sensor PU	5 - 20
V128 441	Room Temp. Thermistor PU	5 - 21
V128 442	Right Toner Guide PU	5 - 22
V128 443	Left Toner Guide PU	5 - 23
V128 444	Waste Toner Auger PU	5 - 24
V128 446	Waste Toner Agitator PU	5 - 25
V128 447	Laser Unit Fan Assy PU	5 - 26
V128 448	F Switch Base PU	5 - 27
V128 449	Front Band PU	3 - 8
V128 451	HV Power Supply PU	7 - 2
V128 457	Fuser Connector (110V) PU	7 - 6
V128 458	Fuser Connector (220V) PU	7 - 6
V128 459	Toner Retract Solenoid PU	7 - 7
V128 460	Toner Retract Cam PU	7 - 8
V128 461	Toner Present Sensor PU	7 - 10
V128 463	Transfer Unit PU	9 - 1
V128 464	Paper Guide (A) PU	9 - 2
V128 465	Paper Guide (B) PU	9 - 3
V128 466	Paper Guide (C) PU	9 - 13
V128 467	Tray Empty Actuator PU	9 - 14
V128 468	Separator Pad (2)	9 - 6
V128 469	Erase Lamp PU	9 - 7
V128 470	Paper Guide (D) PU	9 - 8
V128 471	Toner Density Sensor PU	9 - 9
V128 472	Sensor Stay Assy PU	9 - 15
V128 473	Fuser Lamp (110V) FU	11 - 1
V128 474	Fuser Lamp (220V) FU	11 - 1
V128 477	Fuser Connector (110V) FU	11 - 3
V128 478	Fuser Connector (220V) FU	11 - 3
V128 480	Lock Knob Kit FU	11 - 5

Part No.	Description	Page and Index No.
V128 481	Idle GearZ20 FU	11 - 4
V128 486	Registration Actuator PU	13 - 6
V128 487	Registration Roller Assy PU	13 - 9
V128 488	Transfer Roller Assy PU	13 - 3
V128 489	Exit Guide Assy PU	13 - 4
V128 490	Exit Roller Assy PU	13 - 11
V128 491	Fuser Exit Actuator PU	13 - 13
V128 492	Exit Idle Roller Assy PU	13 - 5
V128 494	Exit Drive Assy PU	13 - 7
V128 495	Transfer Roller Guide PU	13 - 8
V128 497	Paper Exit Actuator PU	13 - 10
V128 498	TR Unit Band	9 - 16
V128 555	CP Back Cover	21 - 3
V128 556	CP Size Detect Lever	21 - 4
V128 558	CP Lach Lever	21 - 1
V128 559	CP Cassette Base	21 - 2
V128 606	Top Fuser Cover FU	11 - 2
V128 611	Transfer Base Assy PU	13 - 2
V128 612	Power Supply Bracket (110V) PU	7 - 4
V128 613	Power Supply Bracket (220V) PU	7 - 4
V128 622	Fusing Unit (110V) FU	3 - 4
V128 623	Fusing Unit (220V) FU	3 - 4
V128 648	Left Tray Guide PU 2	5 - 19
V128 664	Cleaning Roller Cover PU	3 - 3
V128 675	LV Power Supply (110V) RoHS	7 - 3
V128 676	LV Power Supply (220V) RoHS	7 - 3

Part No.	Description	Page and Index No.