

Model Lionel-MF1 a/b/c
(M126/M127/M128-EU)

Model Lionel-MF1a/b/c (M126/M127/M128-EU)

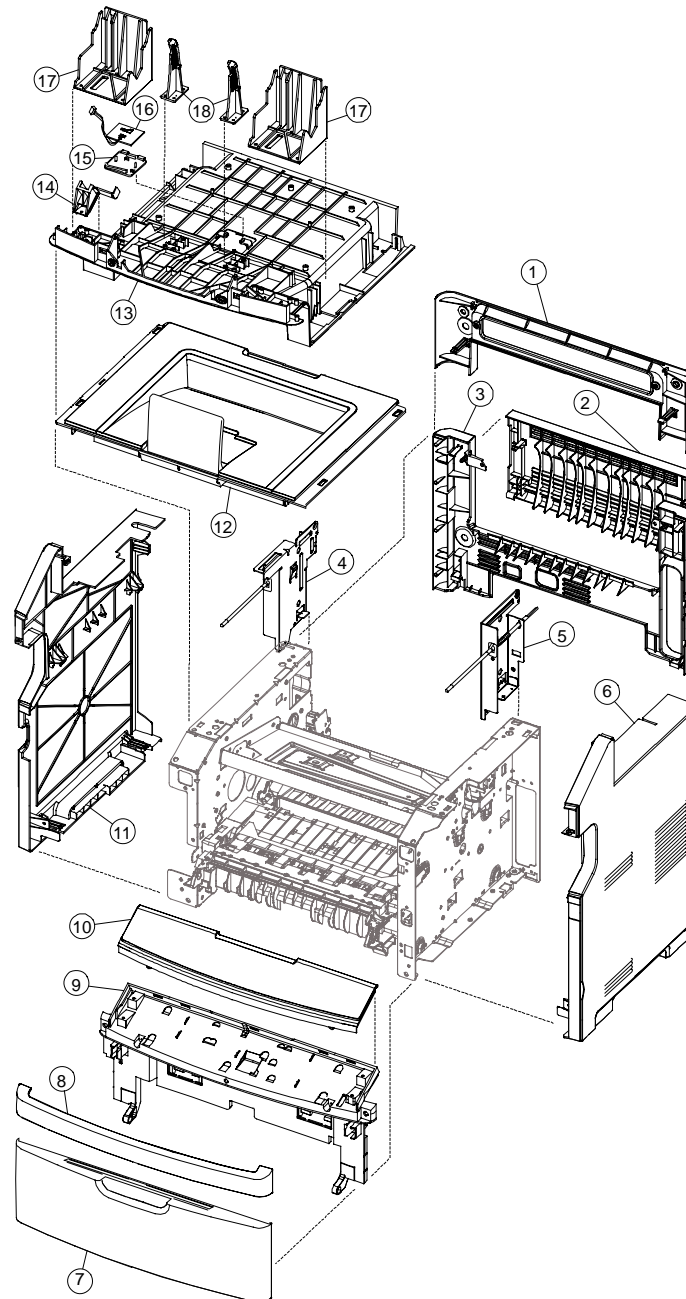
PARTS CATALOG

This catalog gives the numbers and names of parts on this machine.

1.Covers (M126/M127/M128).....	2
2.Imaging (M126/M127/M128)	4
3.ray assemblies (M126/M127/M128)	6
4.Electronics (M126/M127/M128).....	8
5.Frame (M126/M127/M128).....	10
6.Options (M126/M127/M128).....	12
Parts Index	13

October 12, 2011

1.Covers (M126/M127/M128)

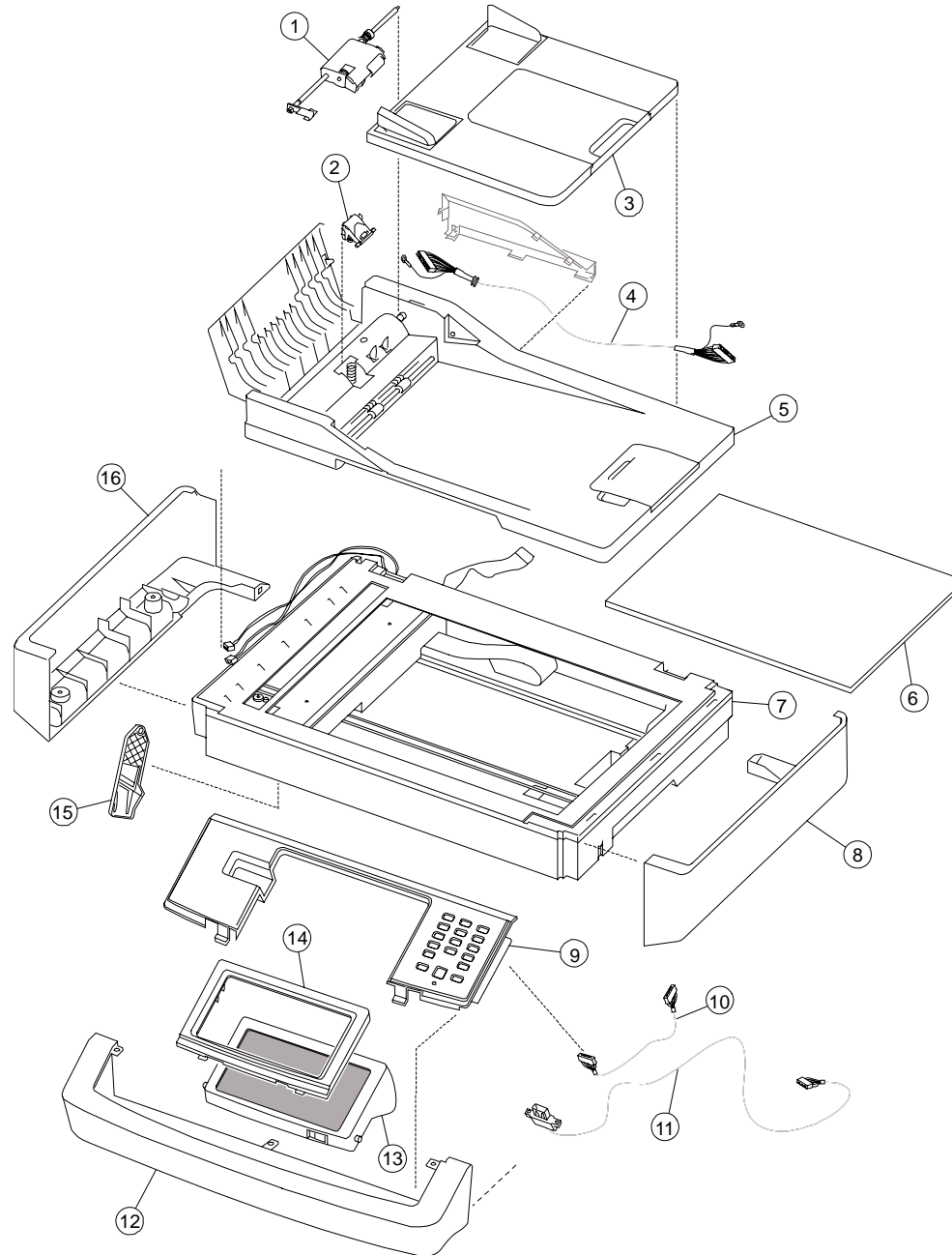


1.Covers (M126/M127/M128)

Index No.	Part No.	Description	Q'ty Per Assembly
1	40X5 827	Cover Mid Rear	1
2	40X7 968	Rear door	1
3	40X5 838	Cover Rear Cover BM	1
4	40X5 820	Asm Rear Left Frame	1
5	40X5 821	Asm Rear Right Frame	1
6	40X5 822	Cover Right	1
7	40X5 379	Cover Front Door	1
8	40X5 448	Nameplate cover	1
9	40X5 806	Cover Lower AIO Access	1
10	40X5 778	Cover Front Door Access	1
11	40X5 823	Cover Left	1
12	40X5 614	Cover Top	1
13	40X5 811	Asm Tub Cover	1
14	40X5 809	Bracket USB Cable Mount	1
15	40X5 834	Lens Output Light	1
16	40X5 835	Led Output	1
17	40X5 815	Support OP Panel	2
18	40X5 814	Support Display Rotation	2

Index No.	Part No.	Description	Q'ty Per Assembly
	40X5 381	Tray Primary	1

2.Imaging (M126/M127/M128)

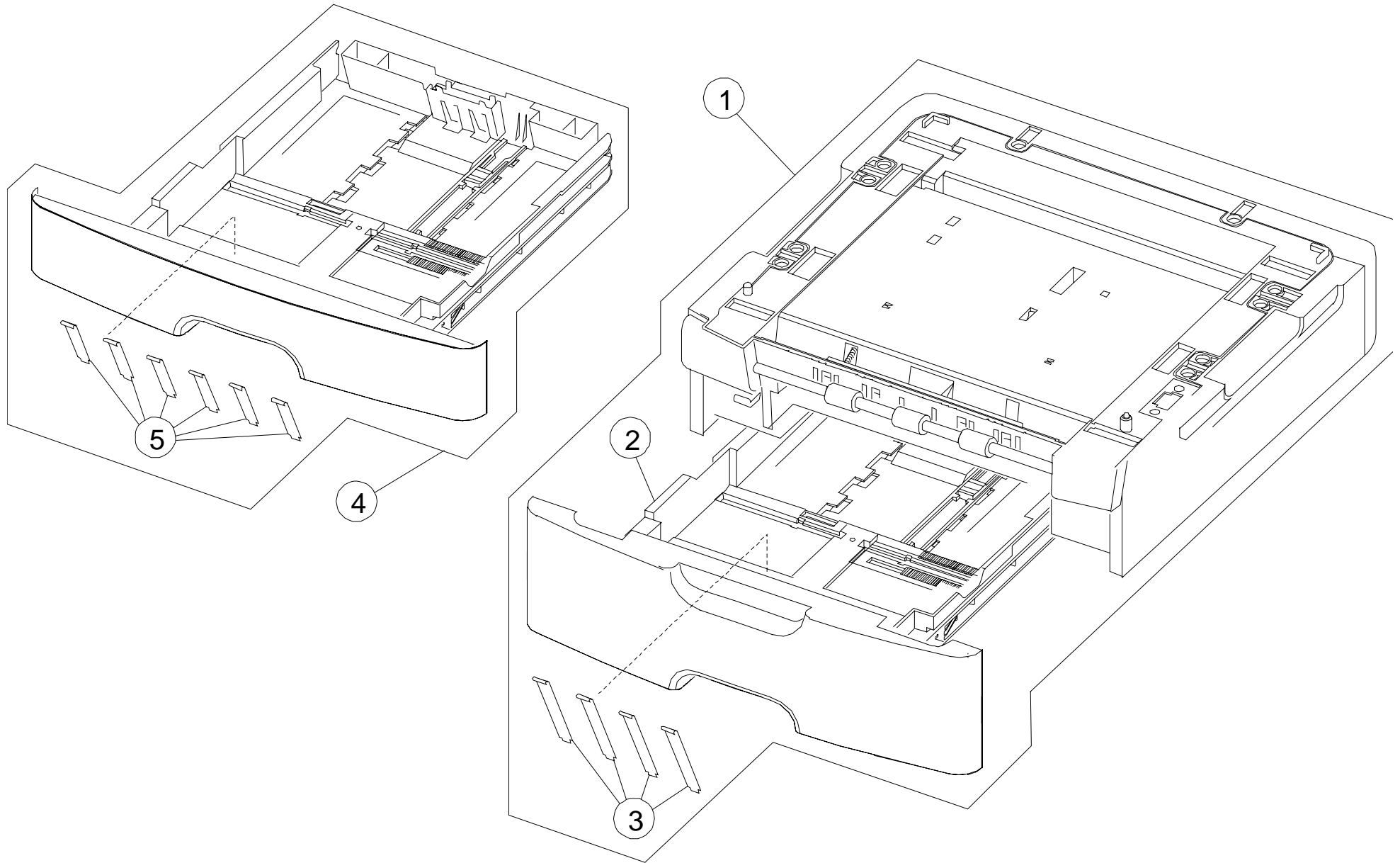


2.Imaging (M126/M127/M128)

Index No.	Part No.	Description	Q'ty Per Assembly
1	40X5 471	Assembly Separator Roll	1
2	40X5 472	Assembly Separator Pad	1
3	40X5 470	Tray ADF Input	1
4	40X5 540	Cable ADF	1
5	40X5 824	ASM Duplex ADF	1
6	40X5 804	Cushion XI Flatbed	1
7	40X5 825	ASM Scanner Module (FB)	1
8	40X5 818	Cover Scanner Right	1
9	40X5 743	Button Asm OP Panel	1
10	40X5 810	Cable UICC	1
11	40X5 831	Cable USB	1
12	40X8 022	Scanner front cover	1
13	40X5 837	Display OP Panel	1
14	40X7 969	OP Panel Display Bezel 4420SF (M127)	1
14	40X7 970	OP Panel Display Bezel 4410SF (M127)	1
14	40X7 971	OP Panel Display Bezel 4400S (M126)	1
15	40X5 813	Support Kickstand	1
16	40X5 819	Cover Scanner Left	1

Index No.	Part No.	Description	Q'ty Per Assembly
	40X5 807	Kit ADF Maintenance	1

3.ray assemblies (M126/M127/M128)

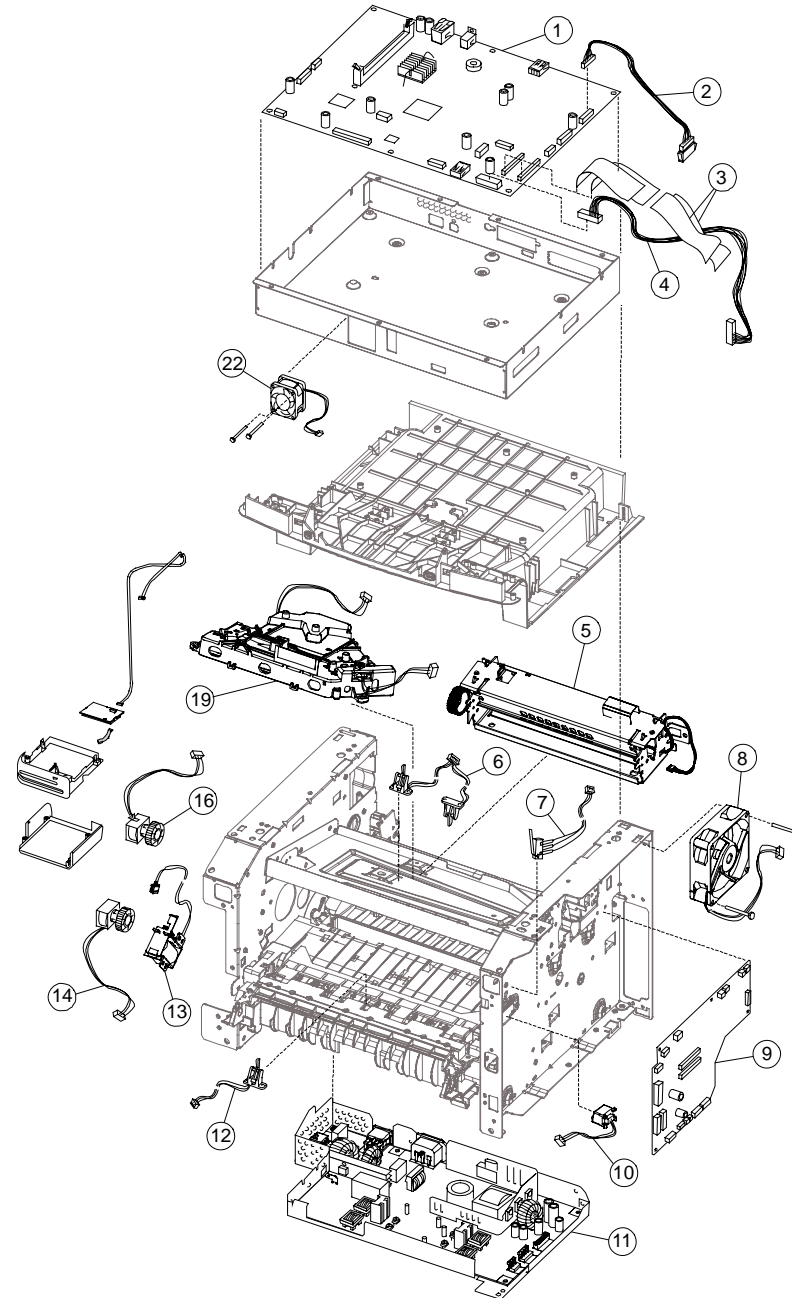


3.ray assemblies (M126/M127/M128)

Index No.	Part No.	Description	Q'ty Per Assembly
1	40X5 398	Drawer 250 Sheet	1
1	40X5 399	Drawer 550 Sheet	1
2	40X5 394	Tray 250 Sheet	1
2	40X5 395	Tray 550 Sheet	1
3	40X2 855	Strip 500 Sheet Tray	1
4	40X5 381	Tray Primary	1
5	40X5 382	Strip Primary	1

Index No.	Part No.	Description	Q'ty Per Assembly

4. Electronics (M126/M127/M128)

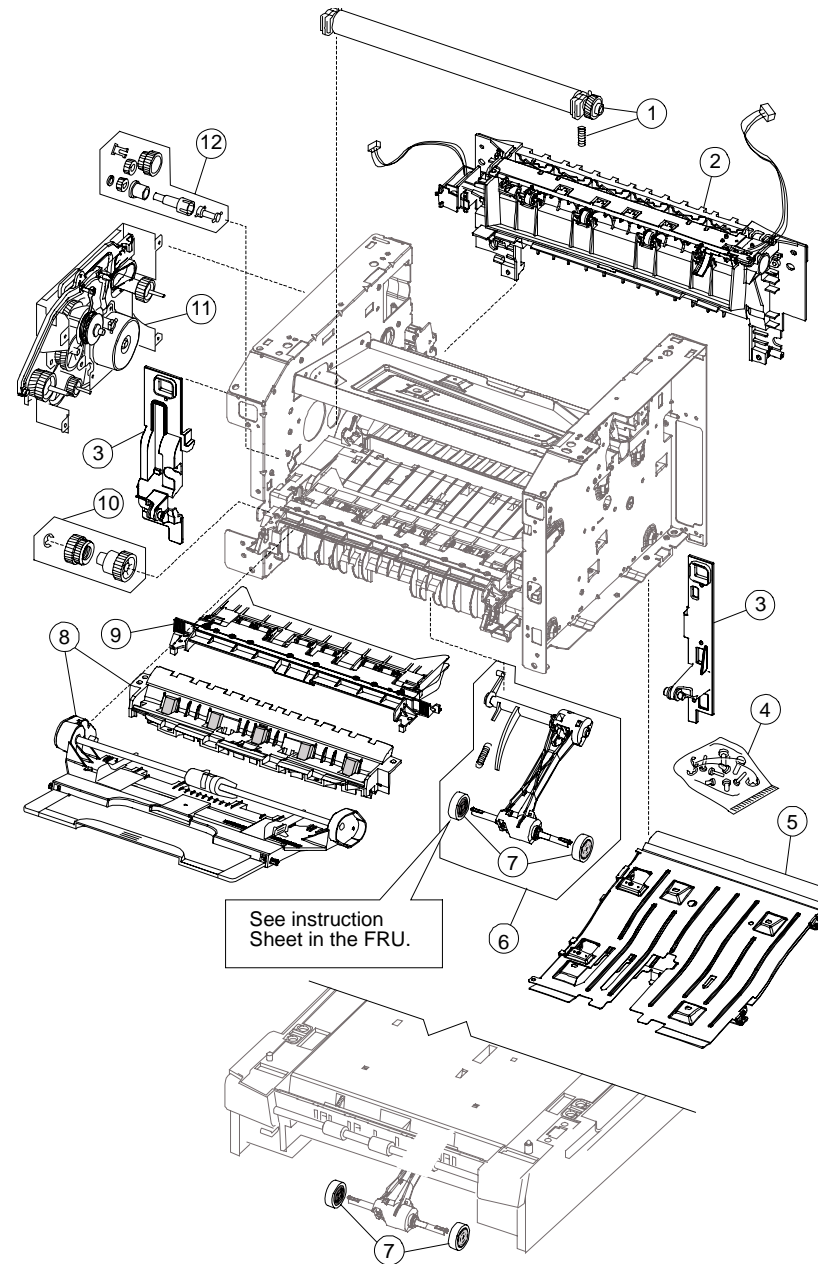


4.Electronics (M126/M127/M128)

Index No.	Part No.	Description	Q'ty Per Assembly
1	40X5 829	Board Controller Board	1
2	40X5 816	Cable Lsu Hsync Extension	1
3	40X5 832	Cable Stairway	1
4	40X5 833	Cable Controller Board	1
5	40X5 345	Fuser 220V	1
6	40X5 365	Sensor Duplex	1
7	40X5 360	Sensor Access Door Open	1
8	40X5 392	Fan Cooling	1
9	40X5 830	Board Engine Control Board	1
10	40X5 385	Sensor Toner Level	1
11	40X5 841	Supply 220V Power ASM	1
12	40X5 366	Sensor Media Input	1
13	40X5 369	Solenoid Manual Feed	1
14	40X5 371	Clutch MpF Feed	1
16	40X5 370	Clutch Media Feed (ACM)	1
19	40X5 387	LSU	1
22	40X5 805	Fan Controller Board	1

Index No.	Part No.	Description	Q'ty Per Assembly

5.Frame (M126/M127/M128)



5.Frame (M126/M127/M128)

Index No.	Part No.	Description	Q'ty Per Assembly
1	40X5 364	Roll Cbm Transfer	1
2	40X5 372	ASM Media Exit Guide	1
3	40X5 397	Mounts Front	1
4	40X5 396	Screws Misc TP2NCx3x6pF-NI TP2C-4.0+8pF-NI M3.0x0.5+6pF-NI M3.0x0.5+4pF-NI M3.5x0.6+6P-NI	
5	40X5 380	Assembly Duplex	1
6	40X5 453	Media (ACM) Drive Assembly	1
7	40X5 440	Tires Tray 2 Paperfeed	1
7	40X5 451	Roller Autocomp Tires	2
8	40X5 358	Tray Manual Feeder	1
9	40X5 383	Frame Upper Front	1
10	40X5 368	Clutch Manual Feed	1
11	40X5 367	Gearbox Main Drive W/Motor	1
12	40X5 363	Gear CBM Duplex Drive	1

Index No.	Part No.	Description	Q'ty Per Assembly
	40X5 401	Kit Maintenance 220V	1

6.Options (M126/M127/M128)

Index No.	Part No.	Description	Q'ty Per Assembly
	40X4 822	Adapter 80+GB HDD	1
	40X5 039	Adapter Wireless ISP-EMEA	1
	40X5 057	Adapter 80+GB HDD TAA	1
	40X5 937	DIMM 128MB DDR1 DIMM	1

Index No.	Part No.	Description	Q'ty Per Assembly

Parts Index

Parts Index

Part No.	Description	Page and Index No.
40X2 855	Strip 500 Sheet Tray	7 - 3
40X4 822	Adapter 80+GB HDD	12 -
40X5 039	Adapter Wireless ISP-EMEA	12 -
40X5 057	Adapter 80+GB HDD TAA	12 -
40X5 345	Fuser 220V	9 - 5
40X5 358	Tray Manual Feeder	11 - 8
40X5 360	Sensor Access Door Open	9 - 7
40X5 363	Gear CBM Duplex Drive	11 - 12
40X5 364	Roll Cbm Transfer	11 - 1
40X5 365	Sensor Duplex	9 - 6
40X5 366	Sensor Media Input	9 - 12
40X5 367	Gearbox Main Drive W/Motor	11 - 11
40X5 368	Clutch Manual Feed	11 - 10
40X5 369	Solenoid Manual Feed	9 - 13
40X5 370	Clutch Media Feed (ACM)	9 - 16
40X5 371	Clutch MpF Feed	9 - 14
40X5 372	ASM Media Exit Guide	11 - 2
40X5 379	Cover Front Door	3 - 7
40X5 380	Assembly Duplex	11 - 5
40X5 381	Tray Primary	7 - 4
40X5 381	Tray Primary	3 -
40X5 382	Strip Primary	7 - 5
40X5 383	Frame Upper Front	11 - 9
40X5 385	Sensor Toner Level	9 - 10
40X5 387	LSU	9 - 19
40X5 392	Fan Cooling	9 - 8
40X5 394	Tray 250 Sheet	7 - 2
40X5 395	Tray 550 Sheet	7 - 2
40X5 396	Screws Misc	11 - 4
40X5 397	Mounts Front	11 - 3
40X5 398	Drawer 250 Sheet	7 - 1
40X5 399	Drawer 550 Sheet	7 - 1
40X5 401	Kit Maintenance 220V	11 -
40X5 440	Tires Tray 2 Paperfeed	11 - 7
40X5 448	Nameplate cover	3 - 8

Part No.	Description	Page and Index No.
40X5 451	Roller Autocomp Tires	11 - 7
40X5 453	Media (ACM) Drive Assembly	11 - 6
40X5 470	Tray ADF Input	5 - 3
40X5 471	Assembly Separator Roll	5 - 1
40X5 472	Assembly Separator Pad	5 - 2
40X5 540	Cable ADF	5 - 4
40X5 614	Cover Top	3 - 12
40X5 743	Button Asm OP Panel	5 - 9
40X5 778	Cover Front Door Access	3 - 10
40X5 804	Cushion XI Flatbed	5 - 6
40X5 805	Fan Controller Board	9 - 22
40X5 806	Cover Lower AIO Access	3 - 9
40X5 807	Kit ADF Maintenance	5 -
40X5 809	Bracket USB Cable Mount	3 - 14
40X5 810	Cable UICC	5 - 10
40X5 811	Asm Tub Cover	3 - 13
40X5 813	Support Kickstand	5 - 15
40X5 814	Support Display Rotation	3 - 18
40X5 815	Support OP Panel	3 - 17
40X5 816	Cable Lsu Hsync Extension	9 - 2
40X5 818	Cover Scanner Right	5 - 8
40X5 819	Cover Scanner Left	5 - 16
40X5 820	Asm Rear Left Frame	3 - 4
40X5 821	Asm Rear Right Frame	3 - 5
40X5 822	Cover Right	3 - 6
40X5 823	Cover Left	3 - 11
40X5 824	ASM Duplex ADF	5 - 5
40X5 825	ASM Scanner Module (FB)	5 - 7
40X5 827	Cover Mid Rear	3 - 1
40X5 829	Board Controller Board	9 - 1
40X5 830	Board Engine Control Board	9 - 9
40X5 831	Cable USB	5 - 11
40X5 832	Cable Stairway	9 - 3
40X5 833	Cable Controller Board	9 - 4
40X5 834	Lens Output Light	3 - 15

Part No.	Description	Page and Index No.
40X5 835	Led Output	3 - 16
40X5 837	Display OP Panel	5 - 13
40X5 838	Cover Rear Cover BM	3 - 3
40X5 841	Supply 220V Power ASM	9 - 11
40X5 937	DIMM 128MB DDR1 DIMM	12 -
40X7 968	Rear door	3 - 2
40X7 969	OP Panel Display Bezel 4420SF (M127)	5 - 14
40X7 970	OP Panel Display Bezel 4410SF (M127)	5 - 14
40X7 971	OP Panel Display Bezel 4400S (M126)	5 - 14
40X8 022	Scanner front cover	5 - 12

Part No.	Description	Page and Index No.