

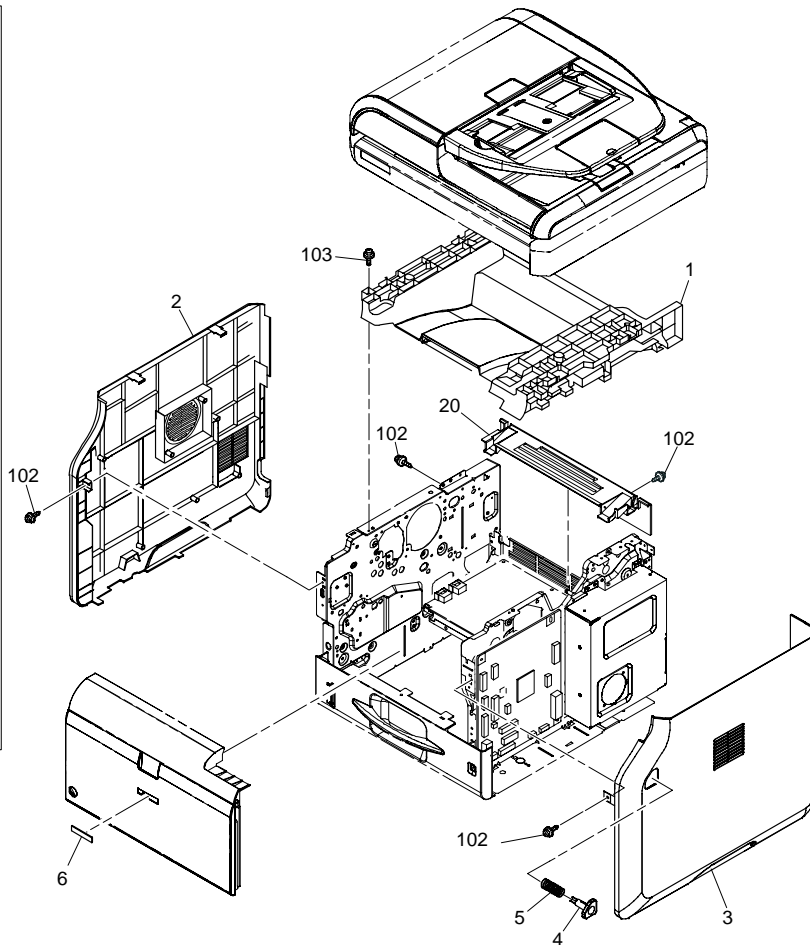
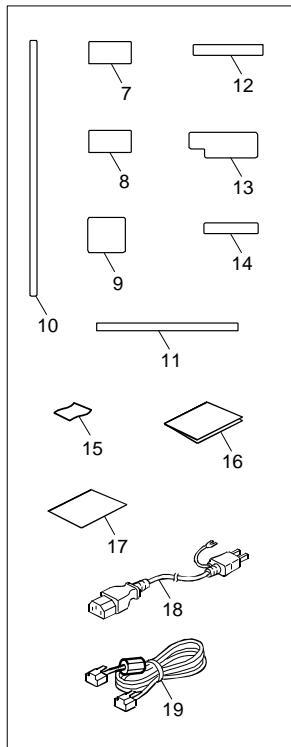
RICOH SP 3600SF RICOH SP 3610SF

PARTS CATALOG

This catalog gives the numbers and names of parts on this machine.

1. Exterior.....	1 P	16. Paper Feed 2	31 P
2. Operation Panel.....	3 P	17. Registration Roller.....	33 P
3. ADF Section 1.....	5 P	18. Transfer	35 P
4. ADF Section 2.....	7 P	19. Fusing Section 1.....	37 P
5. ADF Section 3.....	9 P	20. Fusing Section 2.....	39 P
6. ADF Section 4.....	11 P	21. Paper Exit Section.....	41 P
7. ADF Section 5.....	13 P	22. Duplex Section.....	43 P
8. ADF Section 6.....	15 P	23. Drive Section 1	45 P
9. ADF Section 7.....	17 P	24. Drive Section 2.....	47 P
10. ADF Section 8	19 P	25. Electrical Components Section.....	49 P
11. Optical Reading Section	21 P	26. Main Frame Section.....	51 P
12. Optical Writing Section.....	23 P	27. Options.....	53 P
13. Manual Feed Section 1.....	25 P	Parts Index.....	55 P
14. Manual Feed Section 2.....	27 P		
15. Paper Feed 1	29 P		

1. Exterior

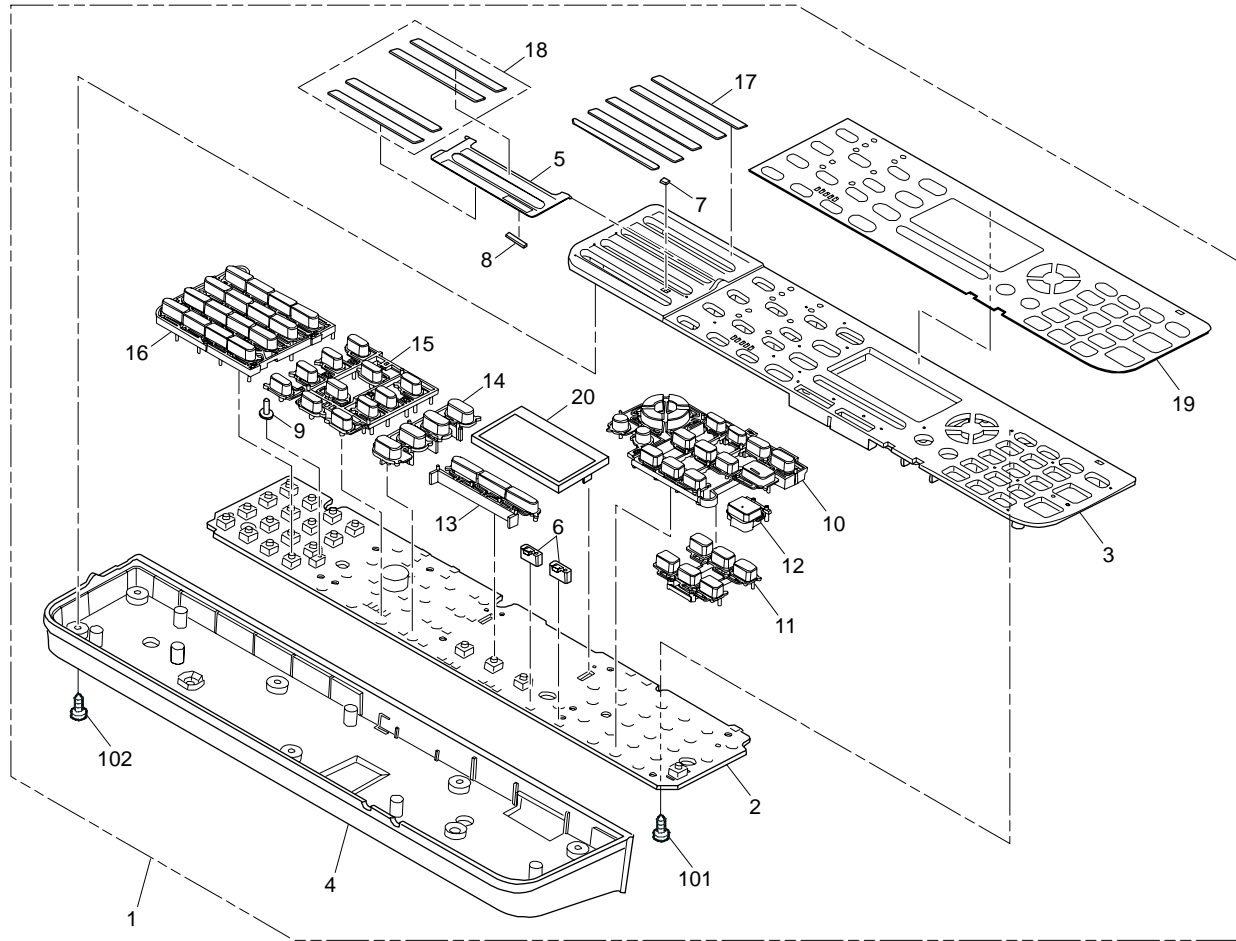


1. Exterior

Index No.	Part No.	Description	Q'ty Per Assembly
1	M1721230	COVER:UPPER:MF1AB:ASS'Y	1
2	M1721210	COVER:LEFT:MF1AB:ASS'Y	1
3	M1721221	COVER:RIGHT:MF1AB	1
4	M1721222	COVER:BUTTON:DOOR:MF1AB	1
5	M1721223	COIL SPRING:BUTTON:DOOR:MF1AB	1
6	M0521210	PLATE:LOGO:RIC	1
7	M1730360	DECAL:MISFEED REMOVAL	1
8	M1730361	DECAL:ORIGINAL:SET:CAUTION:NA	1
	M1730363	DECAL:ORIGINAL:SET:CAUTION:CHN	1
9	M1731791	DECAL:CLEANING:DOCUMENT FEEDER	1
10	M1731792	DECAL:SCALE:LEFT:NA	1
	M1731793	DECAL:SCALE:LEFT:DOMEU	1
11	M1731794	DECAL:SCALE:INNER BACK	1
12	M1731796	DECAL:CAUTION:ORIGINAL:NA/EU	1
	M1731797	DECAL:CAUTION:ORIGINAL:CHN	1
13	M1731799	DECAL:CLEANING:EXPOSURE GLASS:NA/EU	1
	M1731790	DECAL:CLEANING:EXPOSURE GLASS:CHN	1
14	M1736640	DECAL:MODEL NAME PLATE:SP_3610SF	1
	M1726641	DECAL:MODEL NAME PLATE:SP_3600SF	1
15	M1091948	CLEANER:LENS:LED HEAD	1
16	D6457901	SHEET:EULA:20LANGUAGES:CHN	1
17	D6457902	SEAL:CAUTION:20LANGUAGES	1
18	11500463	POWER SUPPLY CODE:125V:13A:NA	1
	11500456	POWER SUPPLY CODE:250V:10A:CHN	1
	11500465	POWER SUPPLY CODE:250V:10A:EU	1
19	H5235350	MODULER CORD:NA	1
	H4524105	MODULER CORD:6PIN-6PIN	1

Index No.	Part No.	Description	Q'ty Per Assembly
101	04503008N	TAPPING SCREW:3X8	
102	04513006N	TAPPING SCREW:3X6	
103	04513008N	TAPPING SCREW:3X8	

2. Operation Panel

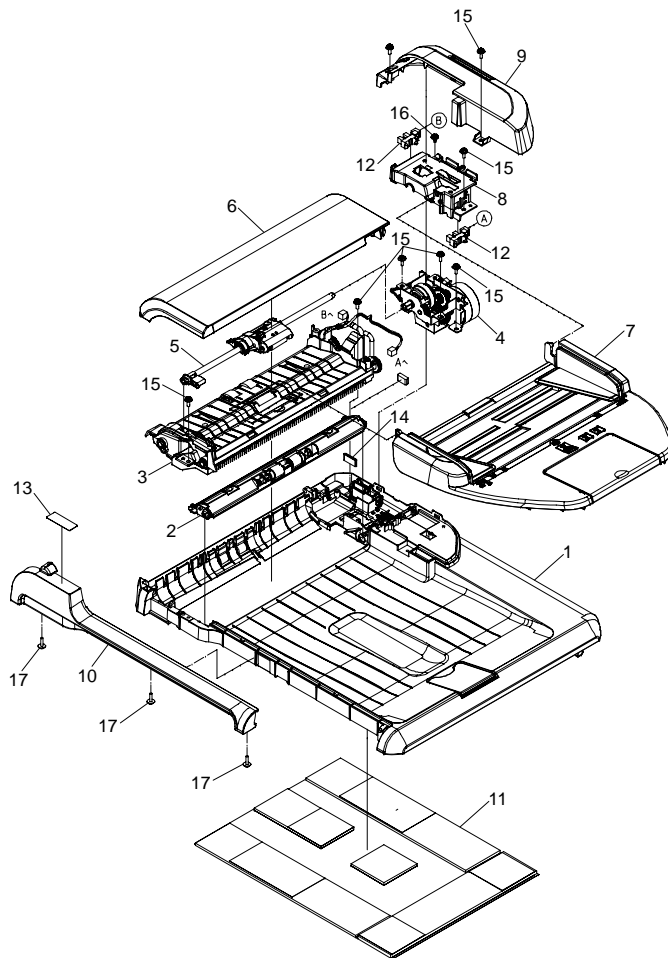


2. Operation Panel

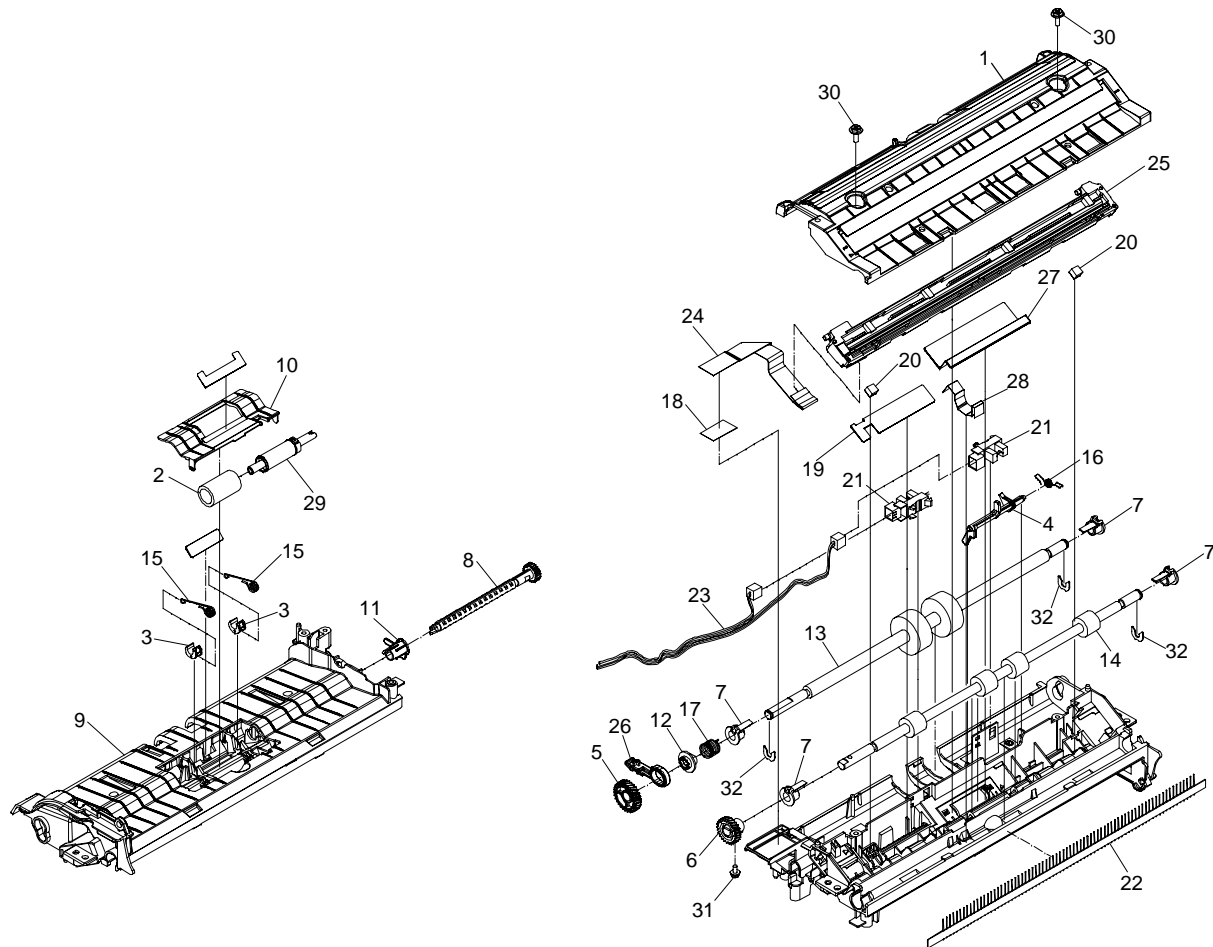
Index No.	Part No.	Description	Q'ty Per Assembly
1	M1721401	OPERATION SUB-UNIT:GIMLET-MF1A:NA:ASS'Y	1
	M1721402	OPERATION SUB-UNIT:GIMLET-MF1A:EU:ASS'Y	1
	M1721404	OPERATION SUB-UNIT:GIMLET-MF1A:CHN:ASS'Y	1
2	M1721480	PCB:GIMLET-MF1A:OPU:MAIN	1
3	M1721451	COVER:UPPER:OPERATION SUB-UNIT	1
4	M1721452	COVER:LOWER:OPERATION SUB-UNIT	1
5	M1721453	EXCHANGE PLATE	1
6	M1721456	LENS	2
7	M1721457	BALANCER:EXCHANGE PLATE	1
8	M1721458	MAGNETIC:DOOR	1
9	M1721459	PIN:EXCHANGE PLATE	1
10	M1721460	KEYTOP:10KEY:A	1
	M1721478	KEYTOP:10KEY:A:NA	1
11	M1721461	KEYTOP:10KEY:B	1
	M1721479	KEYTOP:10KEY:B:NA	1
12	M1721462	KEYTOP:START	1
13	M1721463	KEYTOP:MIDDLE LOWER	1
14	M1721464	KEYTOP:APPLICATION	1
15	M1721465	KEYTOP:FUNCTION	1
16	M1721466	KEYTOP:DIAL	1
17	M1721467	SHEET:DIAL:COVER	1
	M1721469	SHEET:DIAL:COVER:CHN	1
18	M1721468	SHEET:DIAL:SHIFT	1
19	M1721472	SHEET:OPERATION SUB-UNIT:GIMLET-MF1A:NA	1
	M1721474	SHEET:OPERATION SUB-UNIT:GIMLET-MF1A:CHN	1
	M1721473	SHEET:OPERATION SUB-UNIT:GIMLET-MF1A:EU	1
20	M1581498	LCD:GIMLET-MF:MV	1

Index No.	Part No.	Description	Q'ty Per Assembly
101	04523010N	BINDING SELF-TAPPING SCREW:3X10	
102	04523012N	BINDING SELF-TAPPING SCREW:3X12	

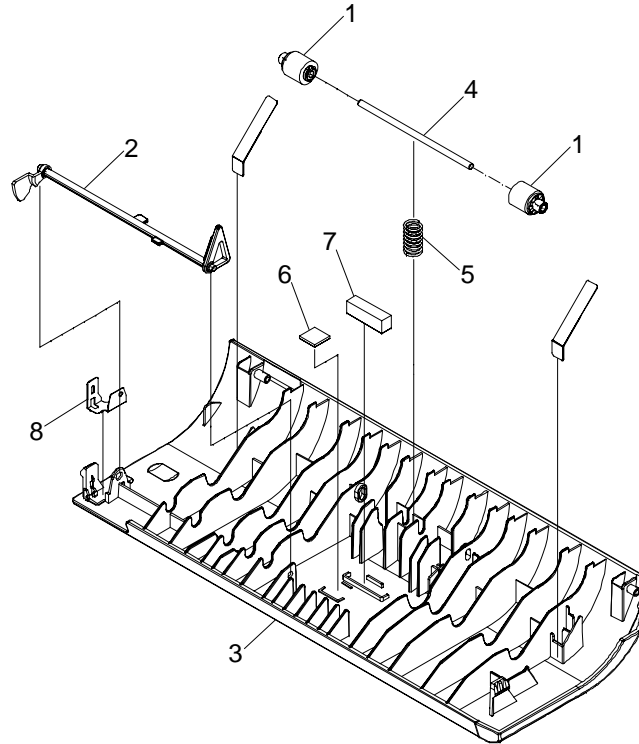
3. ADF Section 1



4. ADF Section 2



5. ADF Section 3

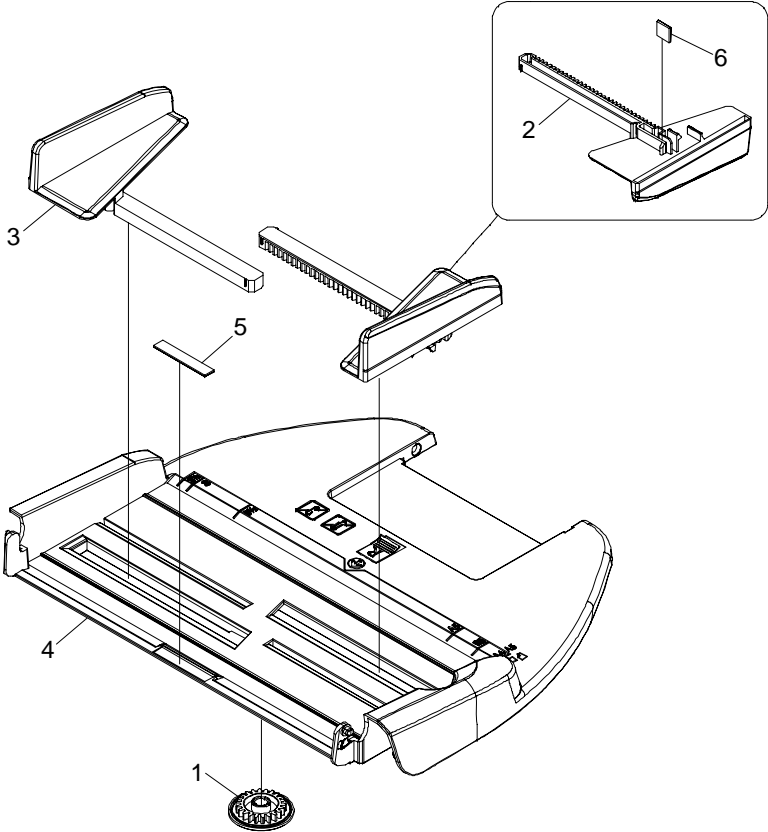


5. ADF Section 3

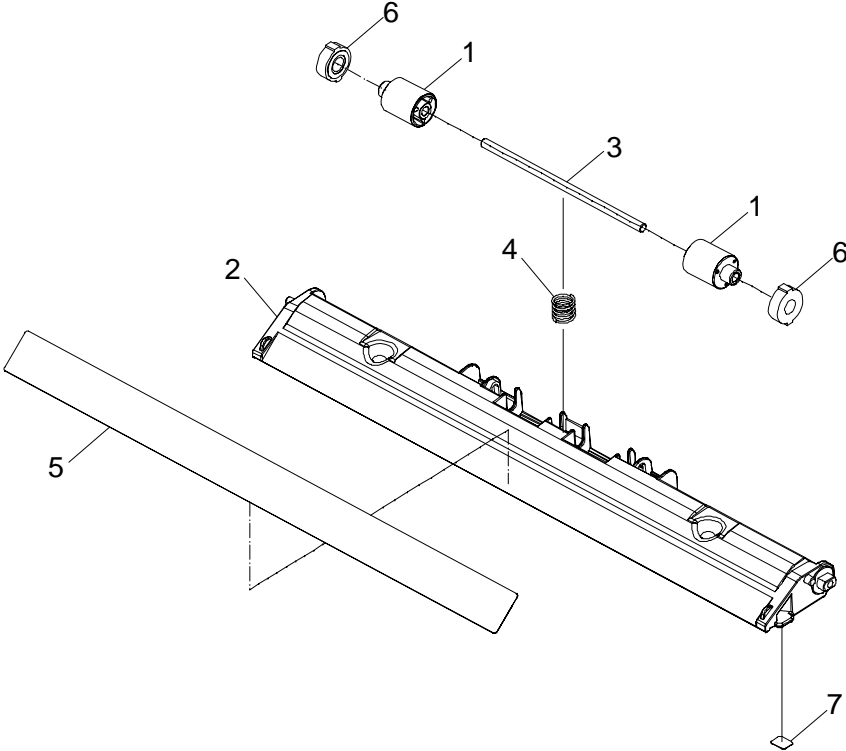
Index No.	Part No.	Description	Q'ty Per Assembly
1	M1731681	ROLLER:OPPOSED:ASSY	2
2	M1731761	FEELER:ORIGINAL SENSOR	1
3	M1731762	COVER:PAPER FEED	1
4	M1731667	SHAFT:ROLLER:OPPOSED	1
5	M1731763	COIL SPRING:FEED:UPPER	1
6	M1731764	SPONGE:CUSHION:PAPER FEED	1
7	M1731765	SPONGE:CLEANER	1
8	M1731779	LOCK	1

Index No.	Part No.	Description	Q'ty Per Assembly

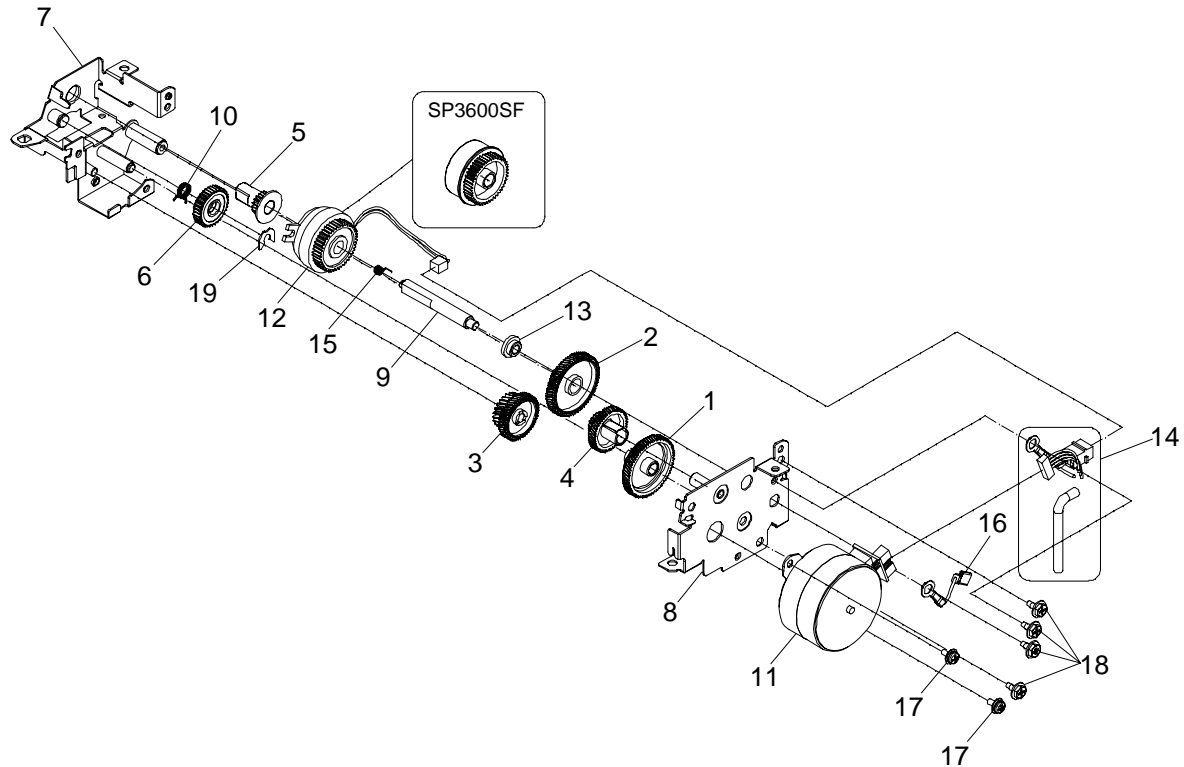
6. ADF Section 4



7. ADF Section 5



8. ADF Section 6

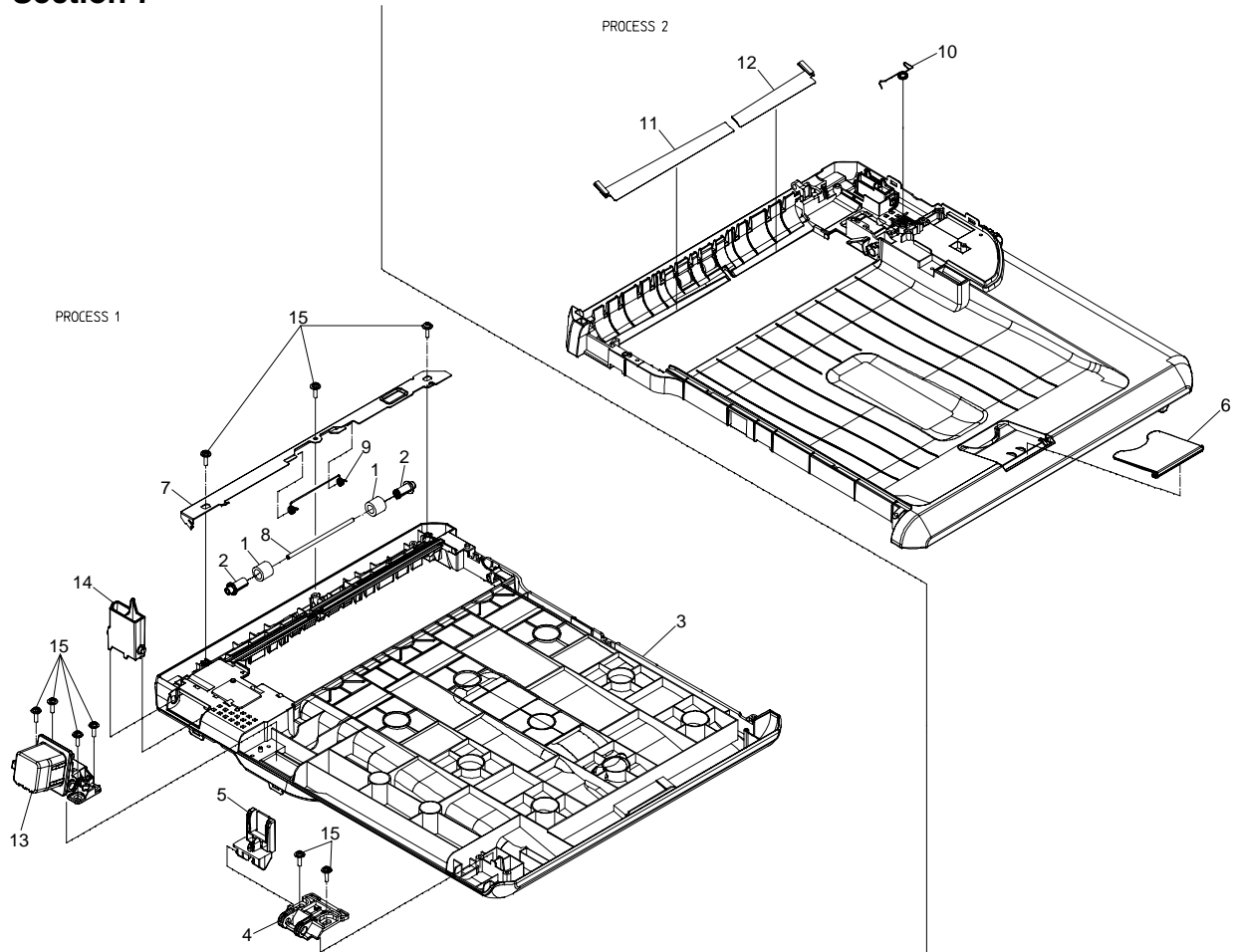


8. ADF Section 6

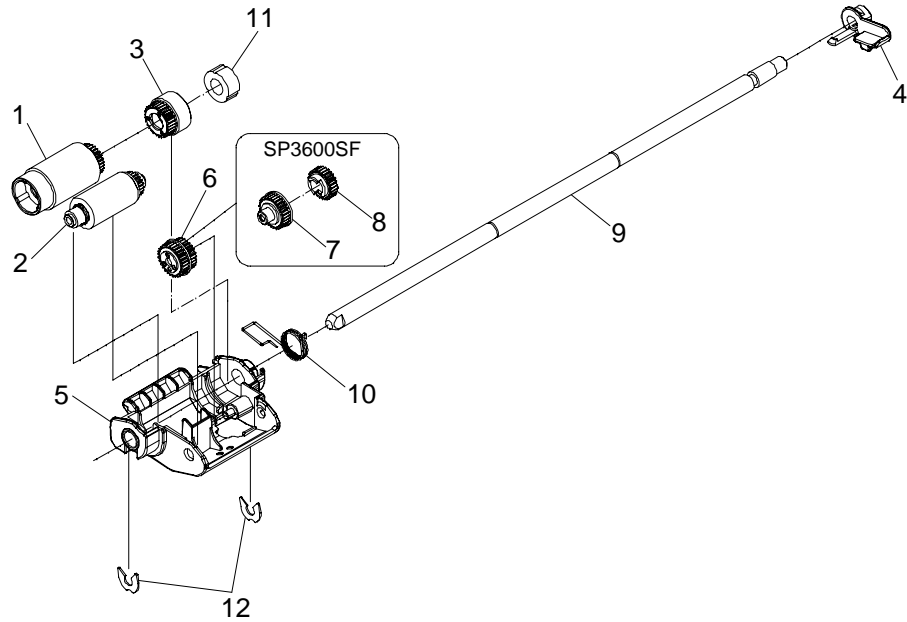
Index No.	Part No.	Description	Q'ty Per Assembly
1	M1731827	GEAR:66:20	1
2	M1731828	GEAR:68:20	1
3	M1731829	GEAR:49:24	1
4	M1731830	GEAR:47:18	1
5	M1731838	BUSHING:ELECTROMAGNETIC CLUTCH	1
6	M1731832	GEAR:BUSHING:19	1
7	M1731833	GEAR:ELECTROMAGNETIC CLUTCH:35	1
8	M1731834	BRACKET:REAR	1
9	M1731835	BRACKET:MOTOR	1
10	M1731836	SHAFT:ELECTROMAGNETIC CLUTCH	1
11	M1731754	COIL SPRING:ELECTROMAGNETIC CLUTCH (SP3610SF)	1
12	M1731837	DC STEPPER MOTOR:DOCUMENT FEEDER	1
13	M1731755	ELECTROMAGNETIC CLUTCH:DOCUMENT FEEDER (SP3610SF)	1
14	M1731831	GEAR:37 (SP3600SF)	1
15	M1731839	CABLE:MOTOR (SP3600SF)	1
	M1731757	CABLE:MOTOR:DUPLX (SP3610SF)	1
16	M1731840	COIL SPRING:FRAME GROUND WIRE:MAIN	1
17	M1731844	CABLE:FRAME GROUND WIRE:FEED	1
18	M1731841	SCREW:3X6	3
19	M1731851	SCREW:6	4
20	M1731704	RETAINING RINGS-E	1

Index No.	Part No.	Description	Q'ty Per Assembly

9. ADF Section 7



10. ADF Section 8

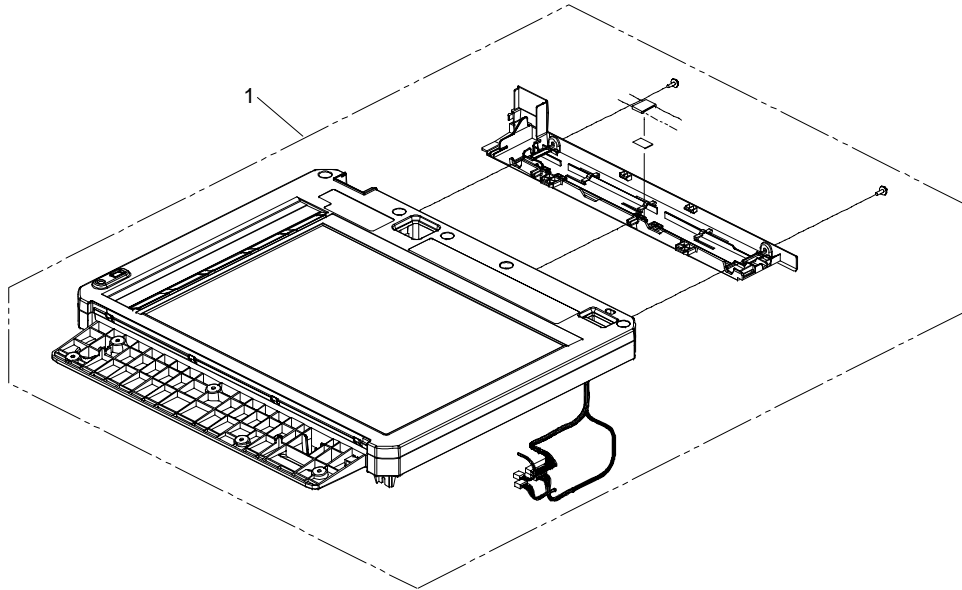


10. ADF Section 8

Index No.	Part No.	Description	Q'ty Per Assembly
1	M1731731	ROLLER:MAIN:ASS'Y	1
2	M1731734	ROLLER:PICKUP:ASS'Y	1
3	M1731737	GEAR:MAIN:29	1
4	M1731739	BUSHING:LEVER:MAIN	1
5	M1731738	HOLDER:PICKUP	1
6	M1731777	GEAR:27:29 (SP3610SF)	1
7	M1731740	GEAR:27 (SP3600SF)	1
8	M1731741	GEAR:29 (SP3600SF)	1
9	M1731742	SHAFT:MAIN	1
10	M1731743	COIL SPRING:PICKUP	1
11	M1731744	MECHANICAL ROLLER CLUTCH	1
12	M1731704	RETAINING RINGS-E	2

Index No.	Part No.	Description	Q'ty Per Assembly

11. Optical Reading Section

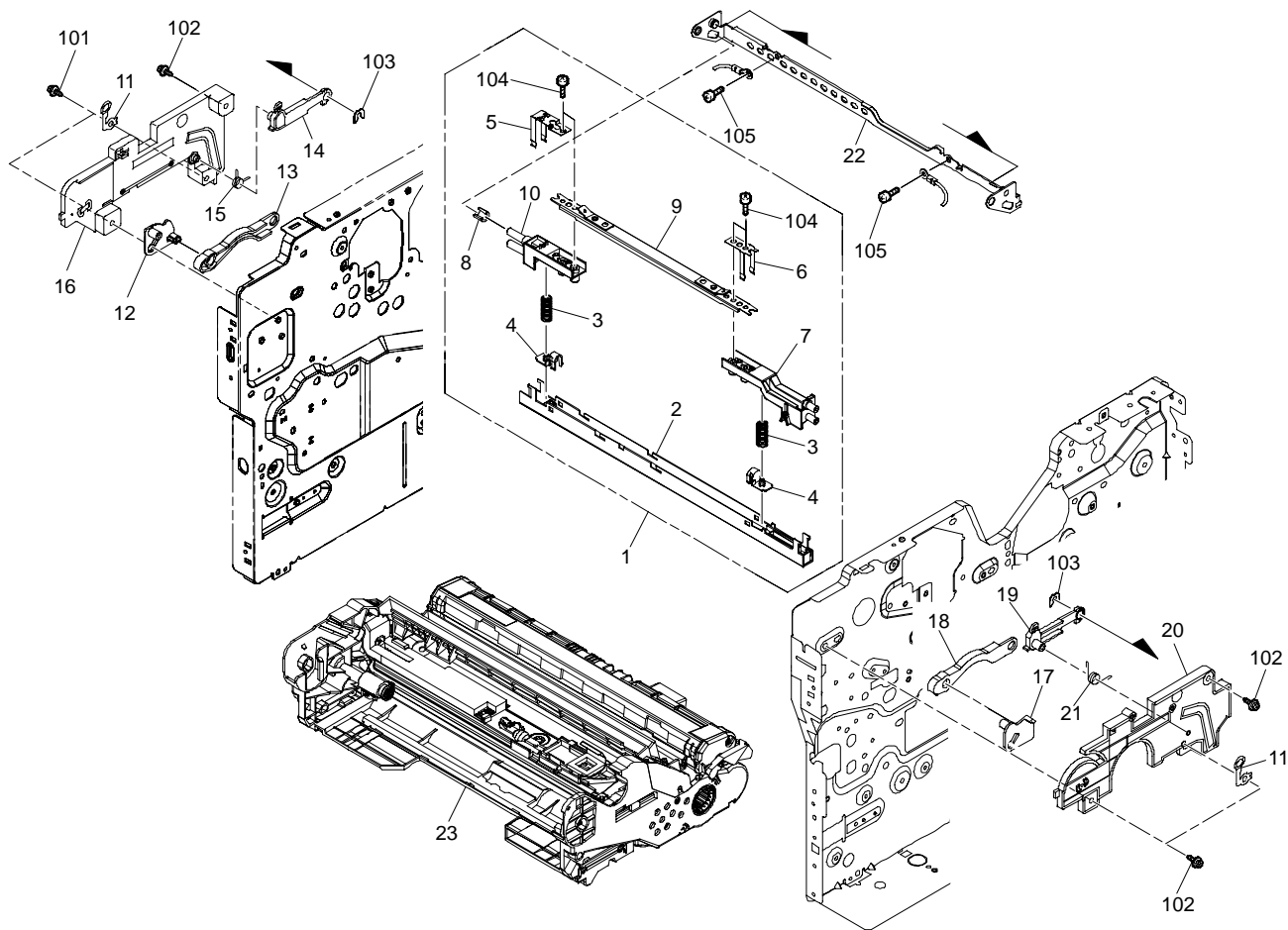


11. Optical Reading Section

Index No.	Part No.	Description	Q'ty Per Assembly
1	M1730070	OPTICAL READING SECTION	1

Index No.	Part No.	Description	Q'ty Per Assembly

12. Optical Writing Section

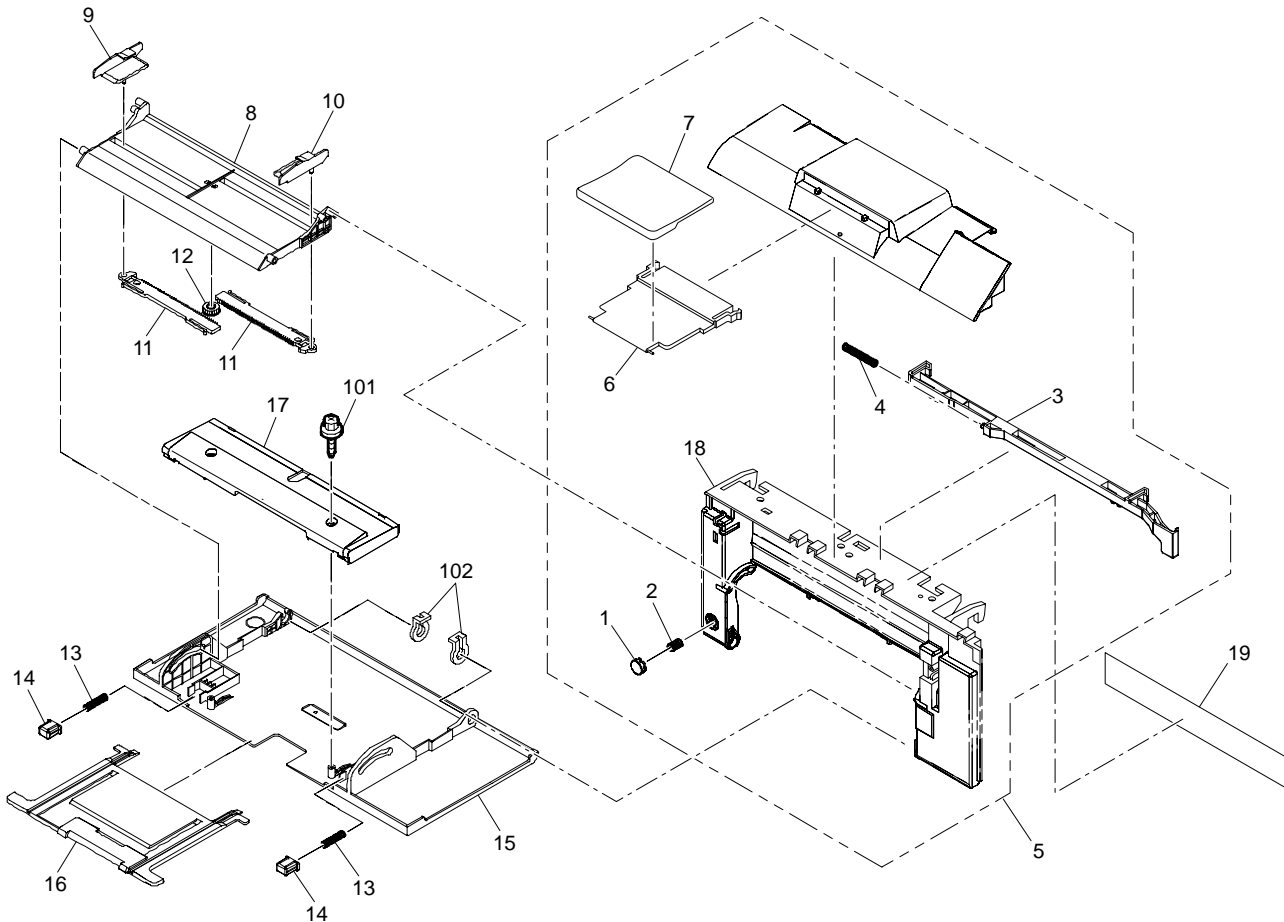


12. Optical Writing Section

Index No.	Part No.	Description	Q'ty Per Assembly
1	M1601850	OPTICAL WRITING UNIT:ASSY	1
2	M1601900	LED HEAD:1200DPI:211.3MM	1
3	M1601901	COIL SPRING:HOLDER:LED	2
4	M1601902	HOLDER:COIL SPRING:LED	2
5	M1601903	GROUND PLATE:LED:A:LEFT	1
6	M1601904	GROUND PLATE:LED:A:RIGHT	1
7	M1601906	HOLDER:LED:RIGHT	1
8	M1601916	SPACER:HOLDER:LED	1
9	M1601926	FRAME:HOLDER:LED:ASSY	1
10	M1601936	HOLDER:LED:LEFT	1
11	M1601905	GROUND PLATE:LED:B	2
12	M1601910	LINK:LED:A:LEFT	1
13	M1601911	LINK:LED:B:LEFT	1
14	M1601912	LINK:LED:C:LEFT	1
15	M1601917	COIL SPRING:LINK:LED:LEFT	1
16	M1601918	GUIDE:LINK:LED:LEFT	1
17	M1601913	LINK:LED:A:RIGHT	1
18	M1601914	LINK:LED:B:RIGHT	1
19	M1601915	LINK:LED:C:RIGHT	1
20	M1601919	GUIDE:LINK:LED:RIGHT	1
21	M1601928	COIL SPRING:LINK:LED:RIGHT	1
22	M1601907	HINGE:LED:ASSY	1
23	M1600141	PCU:EXP:ASSY	1

Index No.	Part No.	Description	Q'ty Per Assembly
101	04513006N	TAPPING SCREW:3X6	
102	04543006Q	TAPPING SCREW:3X6	
103	08050089	RETAINING RINGS-E:SILENCER:DIA4	
104	04523008N	BINDING SELF-TAPPING SCREW:3X8	
105	03130040N	PAN HEAD SCREW:M3X4	

13. Manual Feed Section 1

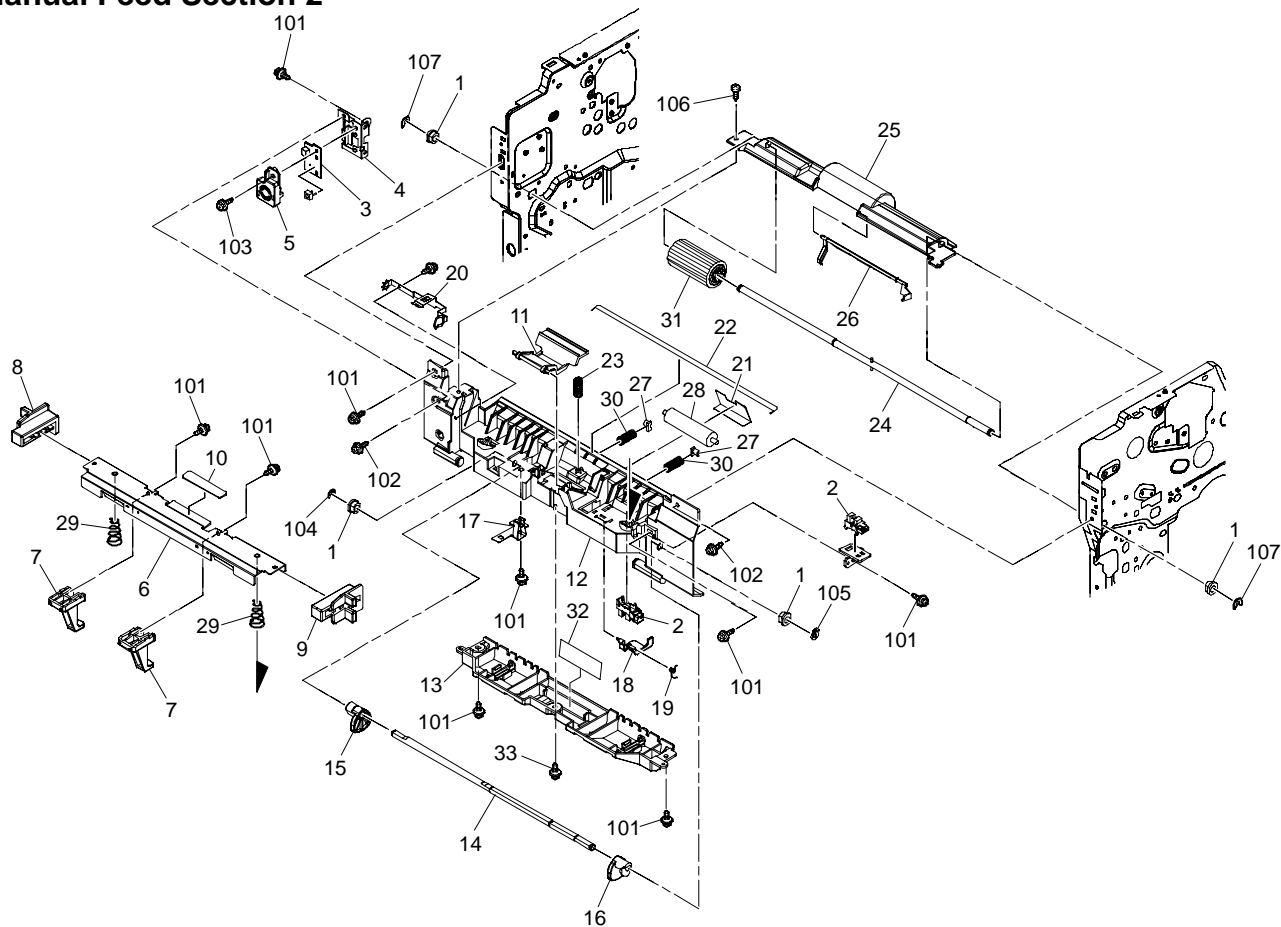


13. Manual Feed Section 1

Index No.	Part No.	Description	Q'ty Per Assembly
1	M1601084	KEY:BUTTON:MAIN SWITCH	1
2	M1601085	COIL SPRING:MAIN SWITCH	1
3	M1602712	LINK:LATCH:DOOR:FRONT	1
4	M1602713	COIL SPRING:LATCH:DOOR:FRONT	1
5	M1722700	DOOR:FRONT:INNER:ASS'Y	1
6	M1712791	COVER:EXTENSION TRAY:INNER:P1A	1
7	M1712792	COVER:EXTENSION TRAY:2:P1A	1
8	M1602715	BASE:PAPER TRAY:MANUAL FEED	1
9	M1602721	GUIDE:SIDE FENCE:LEFT:MANUAL FEED	1
10	M1602722	GUIDE:SIDE FENCE:RIGHT:MANUAL FEED	1
11	M1602723	GEAR:RACK:SIDE FENCE:MANUAL FEED	2
12	M1602724	GEAR:PIVOT	1
13	M1602774	COIL SPRING:LATCH:COVER:MANUAL FEED	2
14	M1602775	HOLDER:COMPRESSION SPRING:EXTENSION TRAY	2
15	M1602711	COVER:MANUAL FEED	1
16	M1602773	EXTENSION TRAY:MANUAL FEED	1
17	M1602776	COVER:EXTENSION TRAY:MANUAL FEED	1
18	M1602710	COVER:DOOR:FRONT:MIDDLE	1
19	M1722799	DECAL:PICK-UP PAPER JAM	1

Index No.	Part No.	Description	Q'ty Per Assembly
101	04503008N	TAPPING SCREW:3X8	
102	52152621	SNAP RING - M6	

14. Manual Feed Section 2

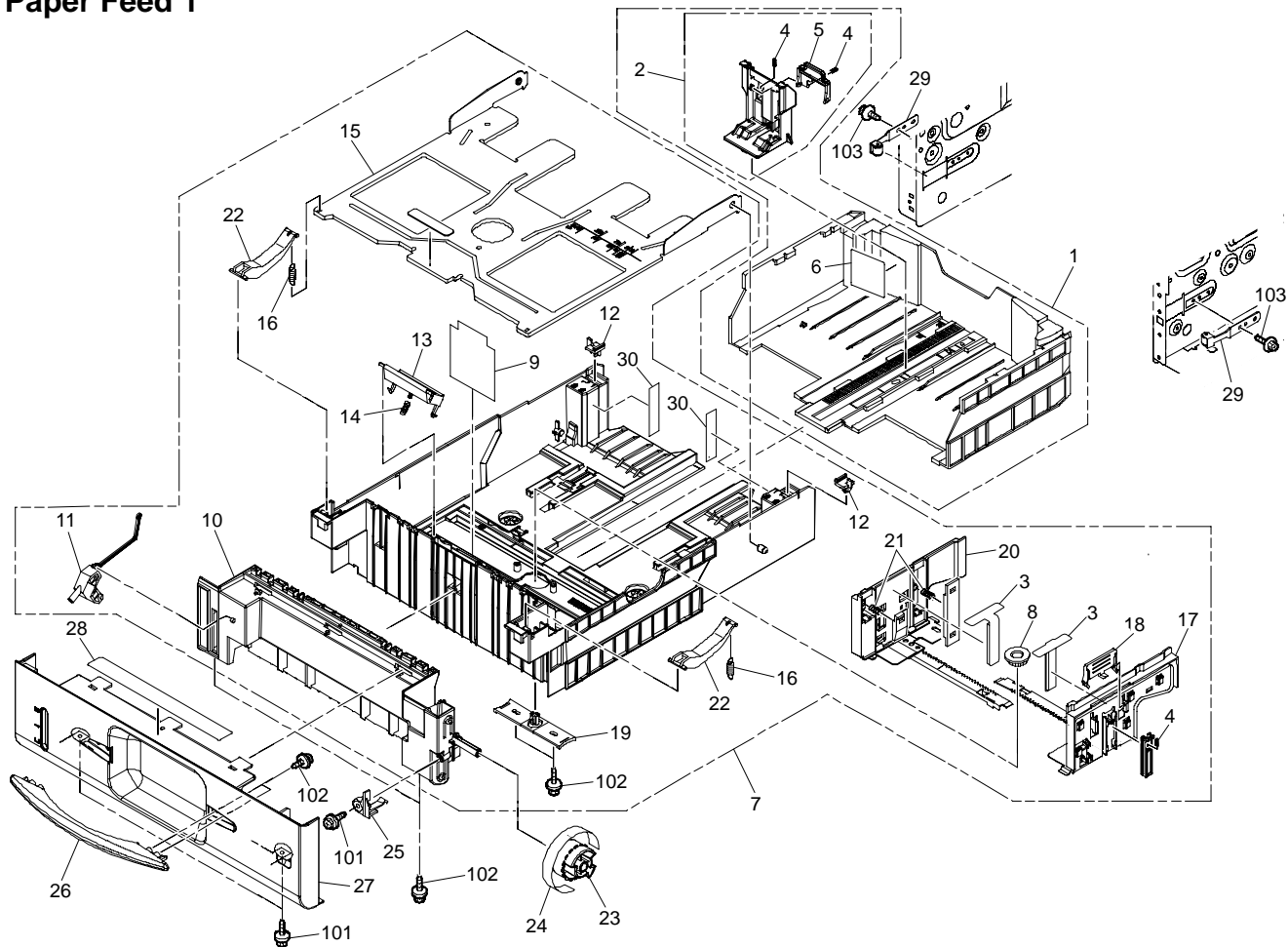


14. Manual Feed Section 2

Index No.	Part No.	Description	Q'ty Per Assembly
1	AA082118	PLAIN SHAFT BEARING:MM6	4
2	AW020198	PHOTOINTERRUPTOR:LG2A14NL1	2
3	D1495686	PCB:DCSV	1
4	M1601082	BRACKET:MAIN SWITCH	1
5	M1601083	HOLDER:MAIN SWITCH	1
6	M1602706	TRAY BOTTOM PLATE:MANUAL FEED:ASS'Y	1
7	M1602733	LINK:BASE:SILENCER	2
8	M1602734	GUIDE:LEFT:TRAY BOTTOM PLATE	1
9	M1602735	GUIDE:RIGHT:TRAY BOTTOM PLATE	1
10	M1602755	PAD:BASE	1
11	M1602707	HOLDER:FRICITION PAD:MANUAL FEED:ASS'Y	1
12	M1602730	GUIDE:STAY:MANUAL FEED	1
13	M1602731	GUIDE:SUB:STAY:MANUAL FEED	1
14	M1602741	SHAFT:SILENCER	1
15	M1602742	CAM:SILENCER:LEFT	1
16	M1602743	CAM:SILENCER:RIGHT	1
17	M1602744	SPRING PLATE:HOME POSITION SENSOR:SILENCER	1
18	M1602745	LINK:FEELER:HOME POSITION SENSOR:SILENCER	1
19	M1602746	COIL SPRING:FEELER:SILENCER	1
20	M1602747	GROUND PLATE:MANUAL FEED	1
21	M1602751	SHEET:ENTRANCE:MIDDLE:ROLLER	1
22	M1602752	SHEET:EXIT:STAY:MANUAL FEED	1
23	M1602754	COIL SPRING:FRICITION PAD	1
24	M1602760	SHAFT:PICKUP:MANUAL FEED	1
25	M1602762	GUIDE:UPPER:MANUAL FEED	1
26	M1602763	LINK:FEELER:PAPER END	1
27	AA080249	PLAIN SHAFT BEARING:MM4:VERTICAL TRANSPORT	2
28	B0902742	ROLLER:PULL OUT:OPTION TRAY	1
29	D1172725	COMPRESSION SPRING:PAPER FEED:MANUAL FEED	2
30	AA063399	COMPRESSION SPRING:VERTICAL TRANSPORT	2
31	AF031092	PAPER FEED ROLLER:MANUAL FEED	1
32	M1602737	SEAL:CLEANER:ROLLER:CONNECTING	1
33	B0394480	SCREW:DIA5	1

Index No.	Part No.	Description	Q'ty Per Assembly
101	04503008N	TAPPING SCREW:3X8	
102	04513006N	TAPPING SCREW:3X6	
103	04543006Q	TAPPING SCREW:3X6	
104	07200040E	RETAINING RINGS-E:4	
105	54472681	SNAP RING	
106	04523010N	BINDING SELF-TAPPING SCREW:3X10	
107	08050089	RETAINING RINGS-E:SILENCER:DIA4	

15. Paper Feed 1

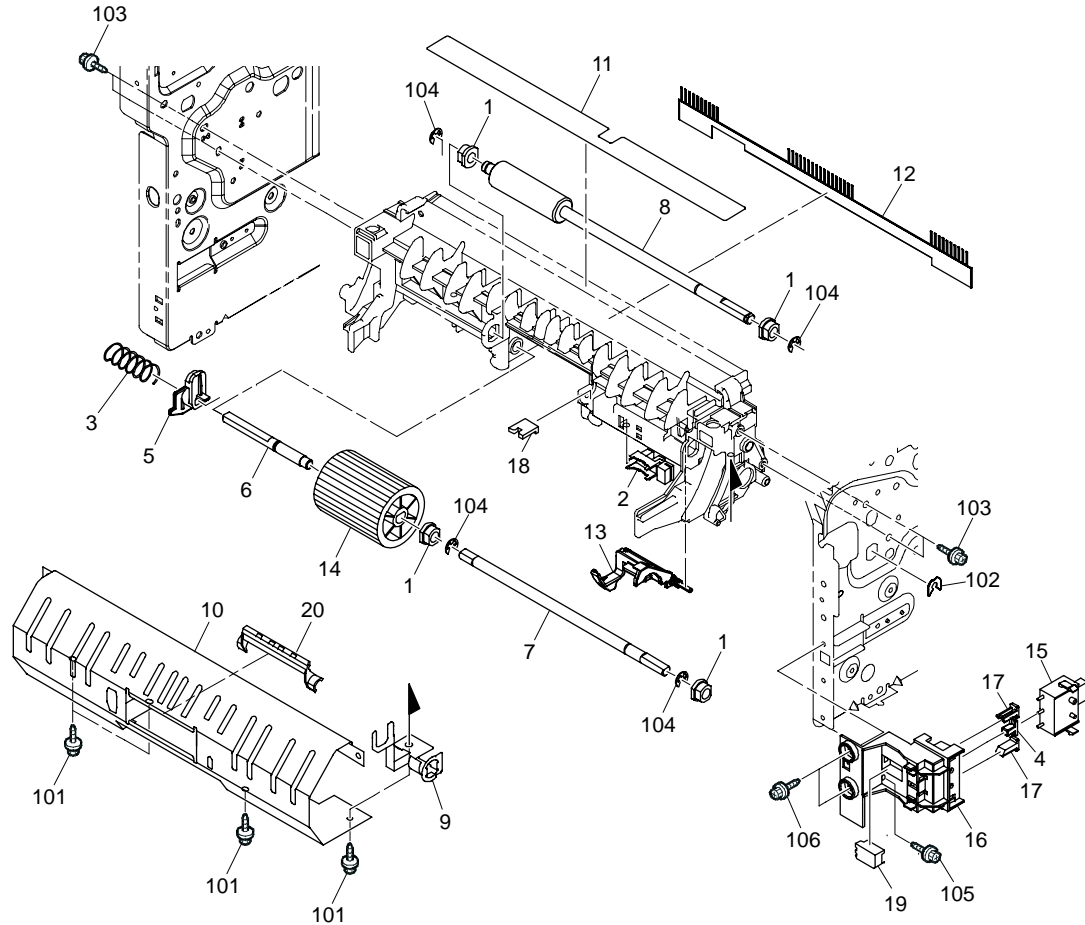


15. Paper Feed 1

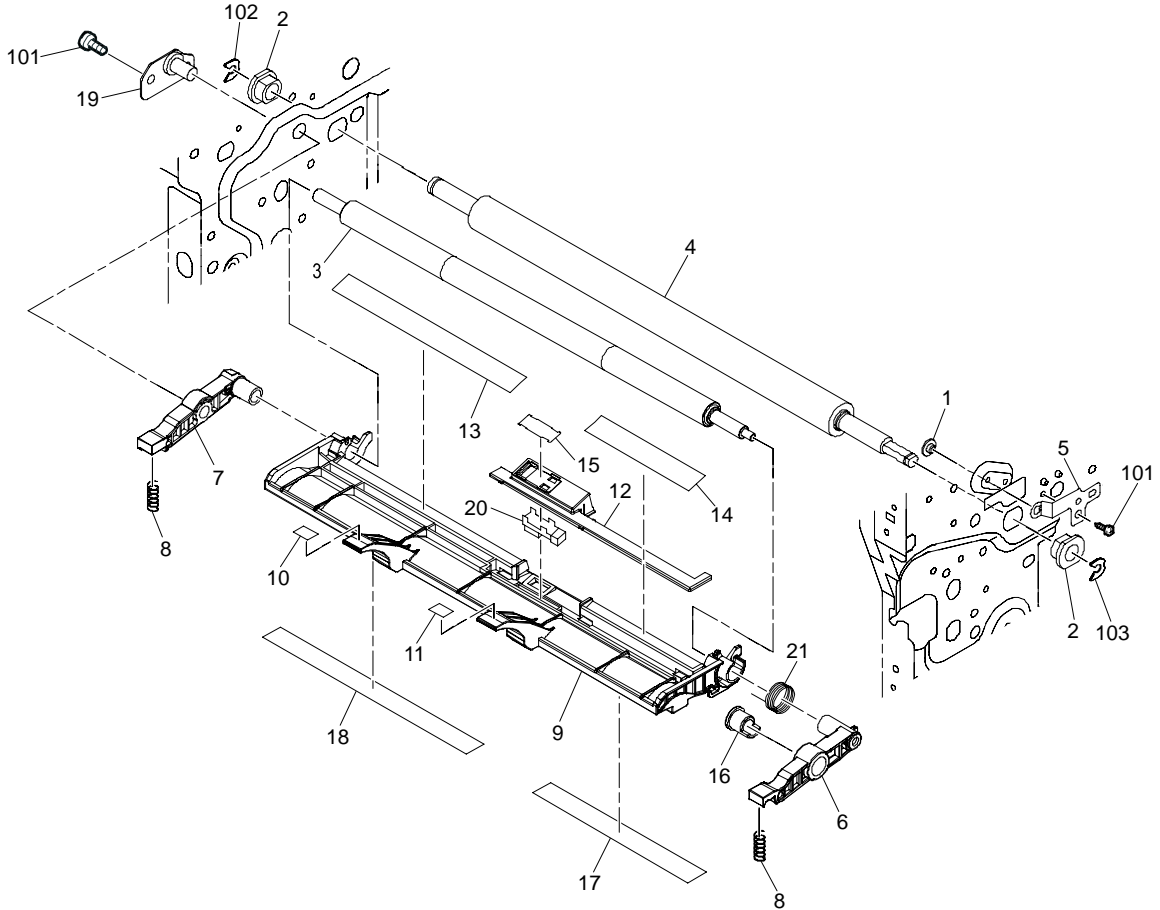
Index No.	Part No.	Description	Q'ty Per Assembly
1	M1712550	PAPER TRAY:REAR:250 SHEET FEED UNIT:ASS'Y	1
2	M1712560	END FENCE:250 SHEET FEED UNIT:ASS'Y	1
3	M1712666	SHEET:SPONGE:SIDE FENCE:250 SHEET FEED UNIT	1
4	M0752610	COMPRESSION SPRING:LOCK:SIDE FENCE	3
5	M1602563	LEVER:LOCK:END FENCE	1
6	M1602572	DECAL:OPERATION INSTRUCTIONS:TRAY:REAR	1
7	M1712600	PAPER TRAY:FRONT:250 SHEET FEED UNIT:SUB-ASS'Y	1
8	B0902869	GEAR:16Z	1
9	M1712602	SHEET:HOLDER:250 SHEET FEED UNIT:FRONT	1
10	M1712605	GUIDE:PAPER TRAY:250 SHEET FEED UNIT:FRONT	1
11	M1712606	INDICATOR:PAPER VOLUME SENSOR:PAPER TRAY:250 SHEET FEED UNIT	1
12	M0212609	STOPPER:CASSETTE	2
13	M1602620	HOLDER:FRICTION PAD:ADHESION	1
14	M1602623	COMPRESSION SPRING:SEPARATION	1
15	M1602630	TRAY BOTTOM PLATE:ADHESION	1
16	M1712627	TENSION SPRING:TRAY BOTTOM PLATE:250 SHEET FEED UNIT	2
17	M1712640	SIDE FENCE:RIGHT:250 SHEET FEED UNIT:ASS'Y	1
18	M1602655	LEVER:LOCK:SIDE FENCE:TRAY	1
19	M1602641	HOLDER:PINION	1
20	M1712660	SIDE FENCE:LEFT:250 SHEET FEED UNIT:ASS'Y	1
21	GA063084	COMPRESSION SPRING:AUXILIARY:SIDE FENCE	2
22	M1602668	ARM:TRAY BOTTOM PLATE	2
23	M1602680	DIAL:PAPER SIZE SENSOR:TRAY:DOM:ASS'Y	1
	M1602687	DIAL:PAPER SIZE SENSOR:TRAY:EXP:ASS'Y	1
24	M1602681	DECAL:DIAL:PAPER SIZE SENSOR:TRAY:DOM	1
	M1602682	DECAL:DIAL:PAPER SIZE SENSOR:TRAY:EXP	1
25	M1602683	CLICK:DIAL:PAPER SIZE SENSOR:TRAY	1
26	M1602631	GRIP:PAPER TRAY	1
27	M1712691	COVER:TRAY:250 SHEET FEED UNIT:FRONT	1
28	M1602693	DECAL:PAPER SET DIRECTION	1
29	M1602590	TIGHTENER:SPRING PLATE:TRAY:ASS'Y	2
30	M1712607	SEAL:TRAY:REAR:DOM:250 SHEET FEED UNIT	2
	M1712608	SEAL:TRAY:REAR:NA:250 SHEET FEED UNIT	2

Index No.	Part No.	Description	Q'ty Per Assembly
101	04503008N	TAPPING SCREW:3X8	
102	04503010N	TAPPING SCREW:3X10	
103	04543006Q	TAPPING SCREW:3X6	

16. Paper Feed 2



17. Registration Roller

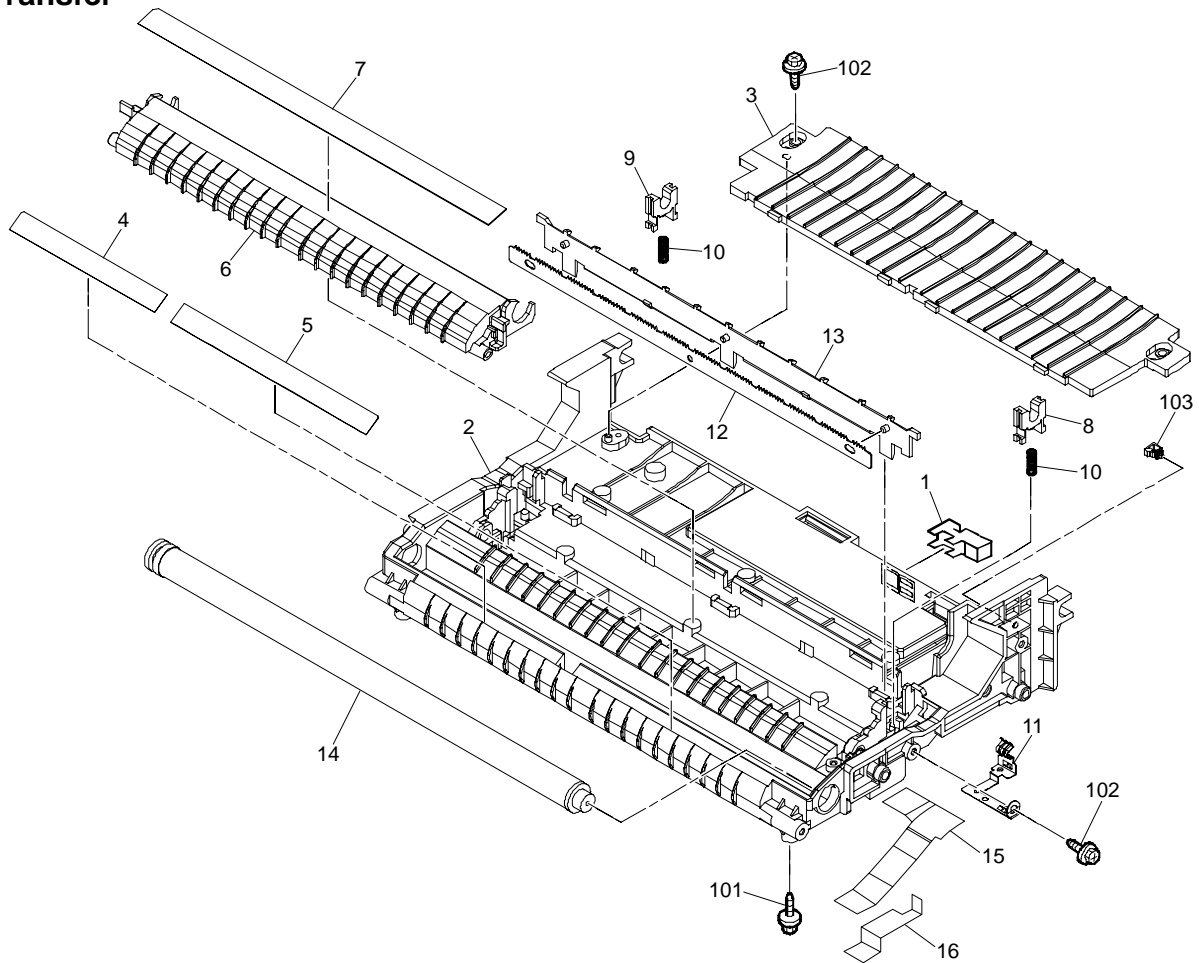


17. Registration Roller

Index No.	Part No.	Description	Q'ty Per Assembly
1	A1532117	ROLLER TERMINAL	1
2	AA082116	PLAIN SHAFT BEARING:MM8	2
3	M1602900	REGISTRATION ROLLER:DRIVEN	1
4	M1602901	REGISTRATION ROLLER:DRIVE	1
5	M1602902	GROUND PLATE:REGISTRATION ROLLER:DRIVEN	1
6	M1602903	LEVER:PRESSURE:REGISTRATION ROLLER:RIGHT	1
7	M1602904	LEVER:PRESSURE:REGISTRATION ROLLER:LEFT	1
8	M1602905	COIL SPRING:REGISTRATION ROLLER:PRESSURE:LEVER	2
9	M1602906	GUIDE:REGISTRATION ROLLER:UPPER	1
10	M1602907	DECAL:REGISTRATION:GUIDE:LEFT UPPER	1
11	M1602908	DECAL:REGISTRATION ROLLER:GUIDE:UPPER	1
12	M1602909	COVER:REGISTRATION ROLLER:GUIDE:UPPER	1
13	M1602922	SEAL:CLEANER:REGISTRATION ROLLER:LEFT	1
14	M1602923	SEAL:CLEANER:REGISTRATION ROLLER:RIGHT	1
15	M1602917	SHEET:REGISTRATION ROLLER:HOLDER:SENSOR	1
16	M1602919	CAP:REGISTRATION ROLLER:LEVER:RIGHT	1
17	M1602920	INSULATING SHEET:REGISTRATION:GUIDE:DUPLEX:RIGHT	1
18	M1602921	INSULATING SHEET:REGISTRATION:GUIDE:DUPLEX:LEFT	1
19	M1602929	STUD:BRACKET:REGISTRATION:LEFT:ASS'Y	1
20	GW010007	REFLECTION PHOTO SENSOR:EXIT	1
21	M1602912	TORSION SPRING:REGISTRATION ROLLER:GUIDE:RIGHT	1

Index No.	Part No.	Description	Q'ty Per Assembly
101	04533006N	BINDING SELF TAPPING SCREW:3X6	
102	08050088	RETAINING RINGS-E:SILENCER:DAI6	
103	08050089	RETAINING RINGS-E:SILENCER:DAI4	

18. Transfer

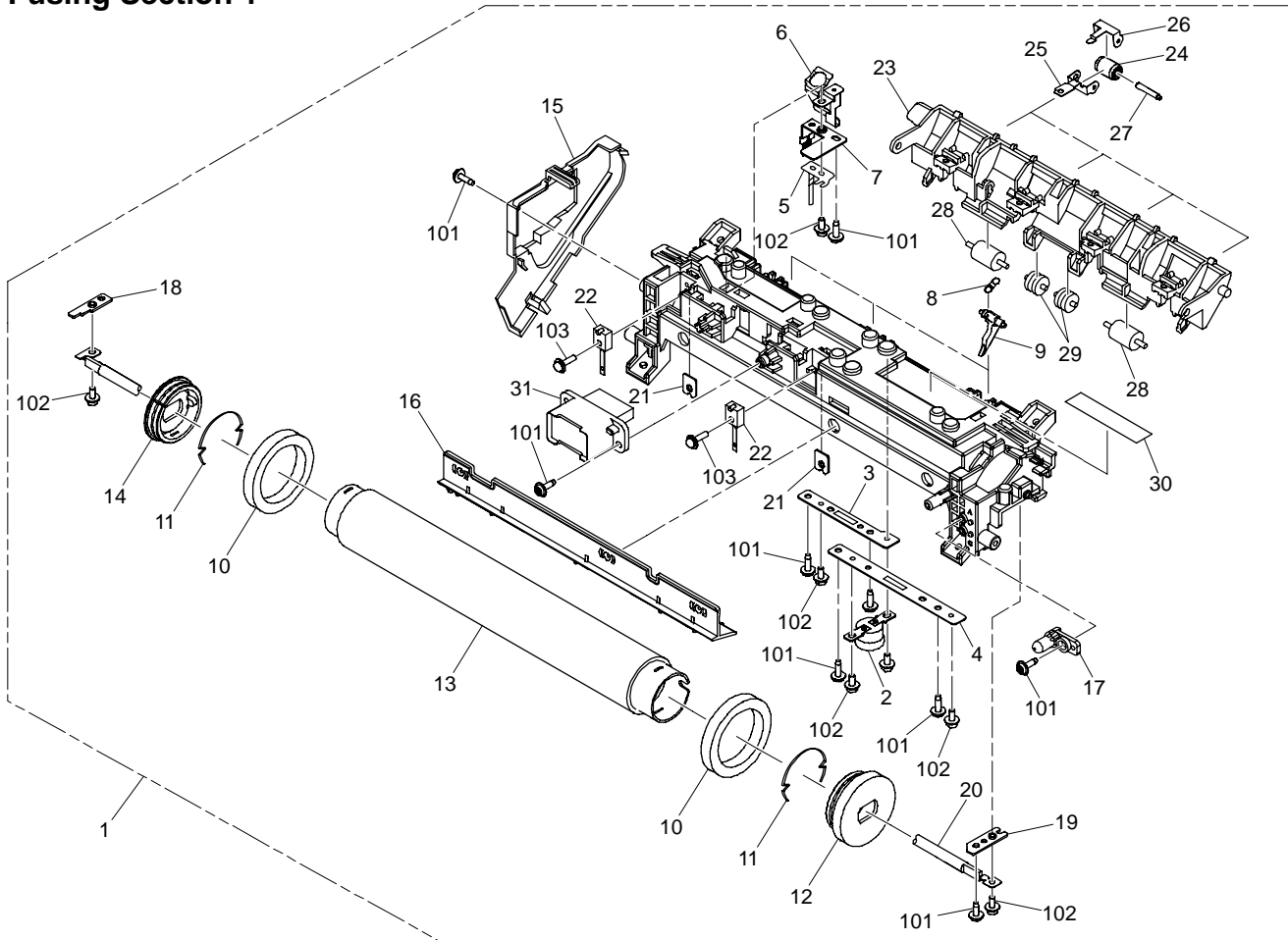


18. Transfer

Index No.	Part No.	Description	Q'ty Per Assembly
1	AW020198	PHOTOINTERRUPTOR:LG2A14NL1	1
2	M1603850	STAY:TRANSFER	1
3	M1603851	GUIDE:EXIT:STAY:TRANSFER	1
4	M1603852	SHEET:GUIDE:REGISTRATION:ENTRANCE:LEFT	1
5	M1603853	SHEET:GUIDE:REGISTRATION:ENTRANCE:RIGHT	1
6	M1603854	GUIDE:TRANSFER ROLLER	1
7	M1603855	SHEET:GUIDE:TRANSFER ROLLER	1
8	M1603856	BUSHING:TRANSFER ROLLER:LEFT	1
9	M1603857	BUSHING:TRANSFER ROLLER:RIGHT	1
10	M1603858	COIL SPRING:TRANSFER ROLLER	2
11	M1603859	GROUND PLATE:ELECTRODE PLATE:SEPARATION	1
12	M1603860	ELECTRODE PLATE:SEPARATION	1
13	M1603861	COVER:ELECTRODE PLATE:SEPARATION	1
14	M1606250	TRANSFER ROLLER:ASS'Y	1
15	M1603862	SEAL:COVER:TRANSFER	1
16	M1603863	SEAL:TONER CATCHPAN	1

Index No.	Part No.	Description	Q'ty Per Assembly
101	04503008N	TAPPING SCREW:3X8	
102	04503010N	TAPPING SCREW:3X10	
103	11050758	CLAMP:LWSM-0306A	

19. Fusing Section 1

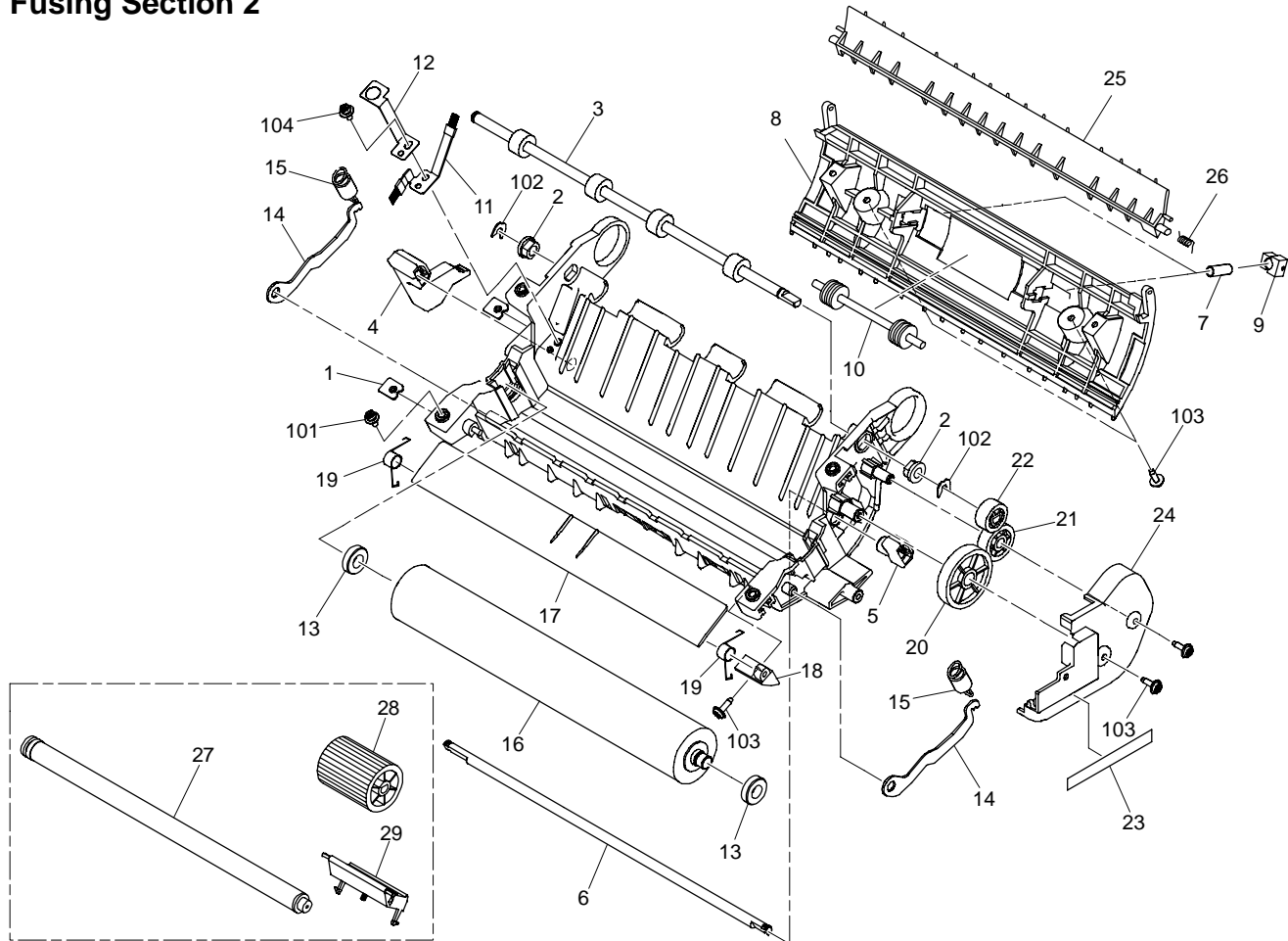


19. Fusing Section 1

Index No.	Part No.	Description	Q'ty Per Assembly
1	M1714017	FUSING UNIT:NA:30PPM	1
	M1714028	FUSING UNIT:EU:30PPM	1
2	AW110101	THERMOSTAT:LOWER	1
3	M1604106	ELECTRODE PLATE:LEFT	1
4	M1604107	ELECTRODE PLATE:RIGHT	1
5	M1604109	GROUND PLATE:HOT ROLLER:ASS'Y	1
6	M1604110	GROUND PLATE:UPPER	1
7	M1604111	BRACKET:GROUND PLATE:HOT ROLLER	1
8	M1604114	TENSION SPRING:PICKOFF PAWL	3
9	M1604113	PICKOFF PAWL:HOT ROLLER	3
10	M0124055	RADIAL BALL BEARING:35X47X7	2
11	M0124281	RETAINING RINGS-C:HOT ROLLER	2
12	M1604086	GEAR:HOT ROLLER	1
13	M1604119	HOT ROLLER:DIA30	1
14	M1604118	THERMAL INSULATING BUSHING:HOT ROLLER	1
15	M1604171	COVER:FUSING:LEFT	1
16	M1604130	FUSING ENTRANCE GUIDE PLATE:UPPER	1
17	M1604126	SEPARATOR:FUSING	1
18	M1604121	BRACKET:HEATER:LEFT	1
19	M1604122	BRACKET:HEATER:RIGHT	1
20	M1604207	HEATER:740W:227V (CHN/EU)	1
20	M1604208	HEATER:740W:117V	1
21	M1604103	FLAT NUT:THERMISTOR	2
22	M1604216	THERMISTOR:FUSING:ASS'Y	1
23	M1604151	GUIDE PLATE:FUSING EXIT	1
24	M1604154	EXIT ROLLER:FUSING EXIT	4
25	M1604155	HOLDER:EXIT ROLLER	4
26	M1604156	SPRING PLATE:EXIT ROLLER	4
27	M1604159	SHAFT:EXIT ROLLER:FUSING EXIT	1
28	M1604157	ROLLER:MIDDLE:FUSING:DIA11	2
29	M1604158	ROLLER:MIDDLE:FUSING:DIA11	2
30	D1204184	DECAL:H-TEMP WARNING:SMALL	1
31	M1604211	DRAWER:FUSING:EU	1
	M1604212	DRAWER:FUSING:NA	1

Index No.	Part No.	Description	Q'ty Per Assembly
101	04503010N	TAPPING SCREW:3X10	
102	08046127	HEXAGONAL BOLT:DOUBLE SCREW:M3X8	
103	09543010N	SCREW:POLISHED ROUND/SPRING:M3X10	

20. Fusing Section 2

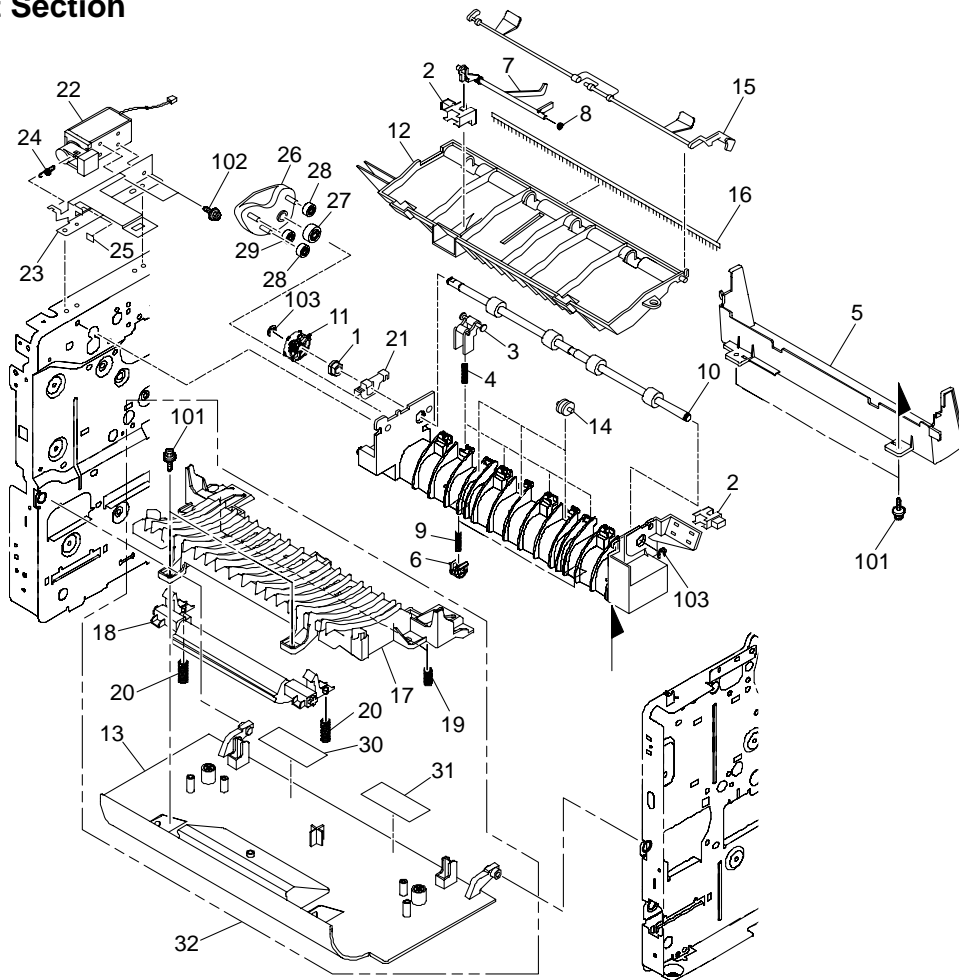


20. Fusing Section 2

Index No.	Part No.	Description	Q'ty Per Assembly
1	M1604053	FLAT NUT:FRAME	5
2	AA082118	PLAIN SHAFT BEARING:MM6	2
3	M1604055	EXIT ROLLER:FUSING	1
4	M1604057	LEVER:ENVELOPE:LEFT	1
5	M1604058	LEVER:ENVELOPE:RIGHT	1
6	M1604059	SHAFT:LEVER:ENVELOPE	1
7	M0214619	COMPRESSION SPRING:2N	2
8	M1714061	GUIDE:DUPLEX:FUSING:P1A	1
9	M1604090	PLAIN SHAFT BEARING:MM4	2
10	M1604091	DRIVEN ROLLER:DUPLEX	1
11	M1604063	DISCHARGE BRUSH:PRESSURE ROLLER	1
12	M1604064	GROUND PLATE:PRESSURE ROLLER	1
13	AE030083	RADIAL BALL BEARING:DIA6XDIA12X4	2
14	M1604074	LEVER:PRESSURE	2
15	M1604075	TENSION SPRING:PRESSURE ROLLER	2
16	M1604096	PRESSURE ROLLER:DIA34	1
17	M1604077	FUSING ENTRANCE GUIDE PLATE:LOWER	1
18	M1604079	BRACKET:FUSING ENTRANCE GUIDE PLATE:RIGHT	1
19	M1604085	TORSION SPRING:FUSING ENTRANCE GUIDE PLATE	2
20	M1604087	GEAR:IDLER:DIA35:FUSING	1
21	M1604088	GEAR:IDLER:DIA20:FUSING	1
22	M1604089	GEAR:IDLER:DIA18:FUSING EXIT	1
23	M0524301	DECAL:BARCODE:FUSING UNIT	2
24	M1604172	COVER:FUSING:RIGHT	1
25	M1714062	GATE PLATE:FUSING:P1A	1
26	M1714063	TORSION SPRING:GATE PLATE:FUSING:P1A	1
27	M1606250	TRANSFER ROLLER:ASS'Y	1
28	M1602830	ROLLER:PAPER FEED:ASS'Y	1
29	M1602620	HOLDER:FRICTION PAD:ADHESION	1

Index No.	Part No.	Description	Q'ty Per Assembly
101	09543014N	SCREW:POLISHED ROUND/SPRING:M3X14	
102	08050089	RETAINING RINGS-E:SILENCER:DIA4	
103	04503010N	TAPPING SCREW:3X10	
104	08046127	HEXAGONAL BOLT:DOUBLE SCREW:M3X8	

21. Paper Exit Section

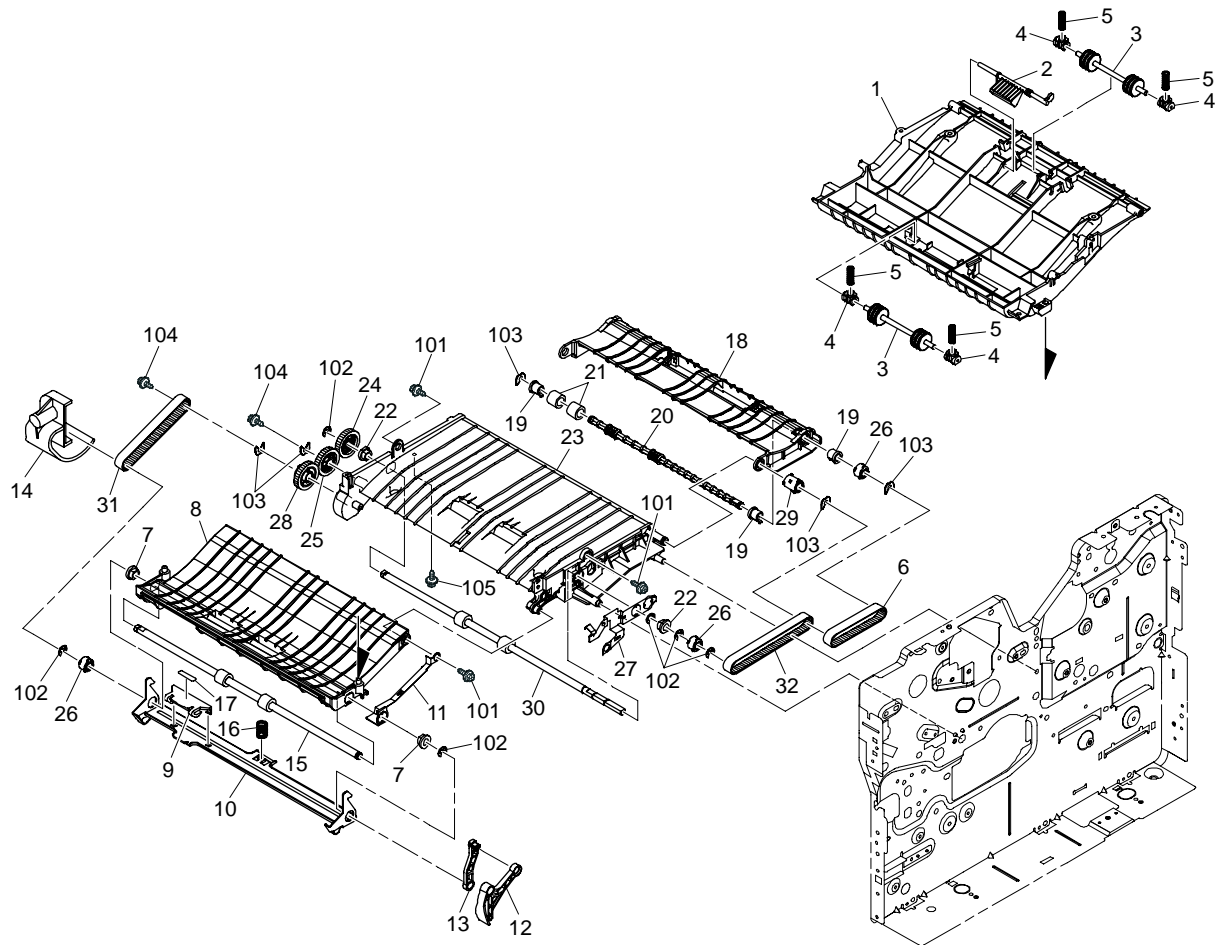


21. Paper Exit Section

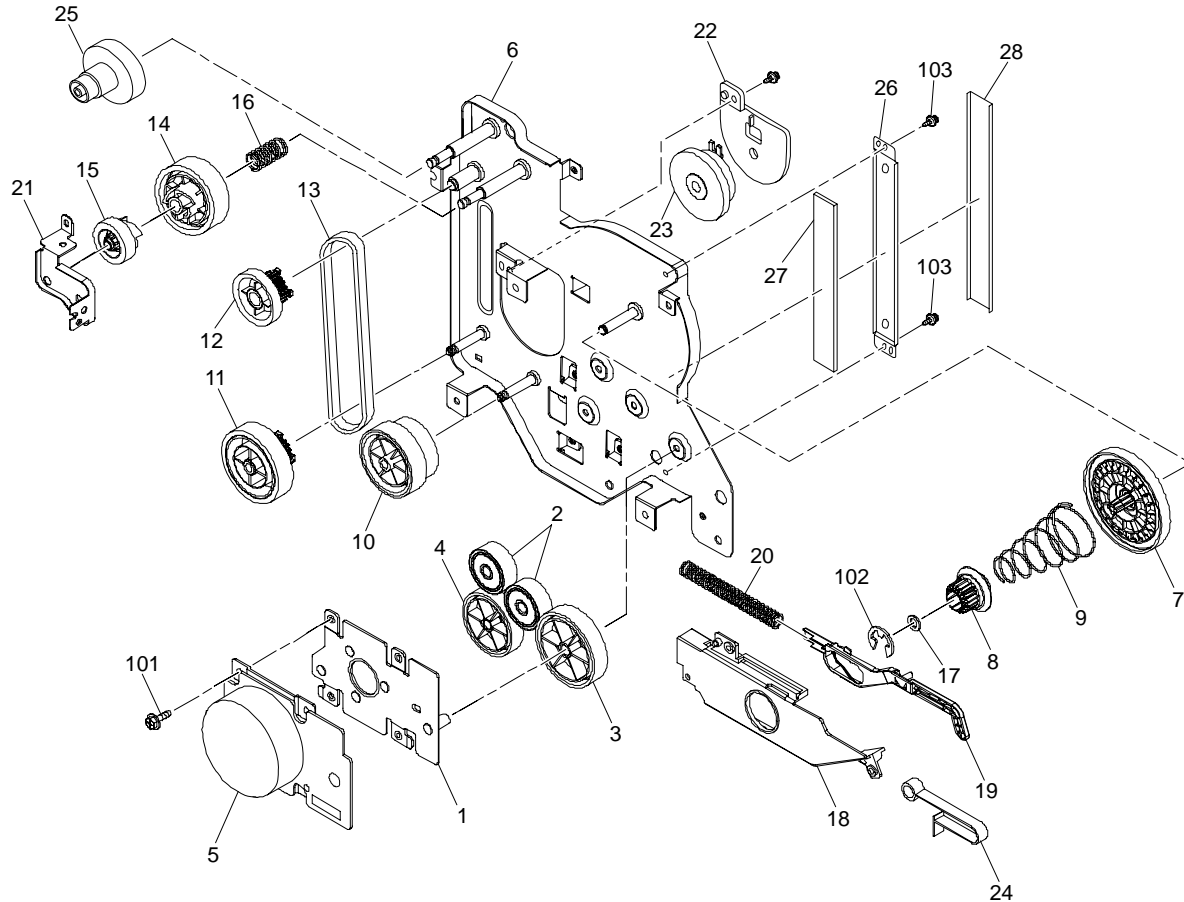
Index No.	Part No.	Description	Q'ty Per Assembly
1	AA082118	PLAIN SHAFT BEARING:MM6	1
2	AW020198	PHOTOINTERRUPTOR:LG2A14NL1	2
3	M1714421	ROLLER:IDLER:EXIT:P1A:ASS'Y	4
4	M1714459	COIL SPRING:ROLLER:EXIT:P1A	4
5	M1714453	COVER:UPPER:EXIT:P1A	1
6	M1604464	PRESSURE PLATE:FUSING:GUIDE	2
7	M1714486	FEELER:EXIT:P1A	1
8	M1714487	COIL SPRING:FEELER:EXIT:P1A	1
9	M1604468	COIL SPRING:PRESSURE PLATE	2
10	M1714470	SHAFT:ROLLER:EXIT:P1A	1
11	M1714471	GEAR:ROLLER:EXIT	1
12	M1714480	GUIDE:UPPER:EXIT:P1A	1
13	M1714490	COVER:REAR:P1A	1
14	M1604489	ROLLER:IDLER:MIDDLE:GUIDE	3
15	M1714485	FEELER:OVERFLOW:EXHAUST SENSOR:P1A	1
16	M1714488	ANTISTATIC BRUSH:EXIT:P1A	1
17	M1714491	GUIDE:REAR:EXIT:P1A	1
18	M1714493	LEVER:DOOR:EXIT:P1A	1
19	M1604497	COIL SPRING:GUIDE:REAR:EXIT	2
20	M1604498	COIL SPRING:LEVER:DOOR:EXIT	2
21	M1714472	GROUND PLATE:ROLLER:EXIT:P1A	1
22	M1714460	DC SOLENOID:REVERSE	1
23	M1714462	BRACKET:DC SOLENOID:REVERSE	1
24	M1714463	COIL SPRING:DC SOLENOID:REVERSE	1
25	M1714469	DAMPER:DC SOLENOID:REVERSE	1
26	M1714475	LEVER:SHIFT:EXIT	1
27	M1714476	GEAR:INPUT:EXIT	1
28	M1714477	GEAR:SHIFT:GAP:EXIT	2
29	M1714478	GEAR:SHIFT:EXIT	1
30	M1604494	DECAL:LEFT:COVER:REAR	1
31	M1604495	DECAL:RIGHT:COVER:REAR	1
32	M1714490	COVER:REAR:P1A	1

Index No.	Part No.	Description	Q'ty Per Assembly
101	04503010N	TAPPING SCREW:3X10	
102	03130030N	PAN HEAD SCREW:M3X3	
103	07200040E	RETAINING RINGS-E:4	

22. Duplex Section



23. Drive Section 1

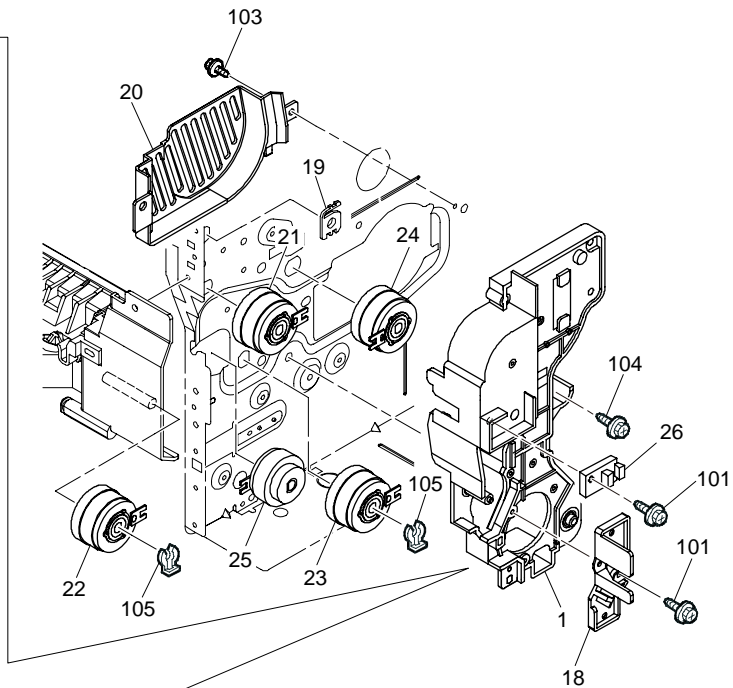
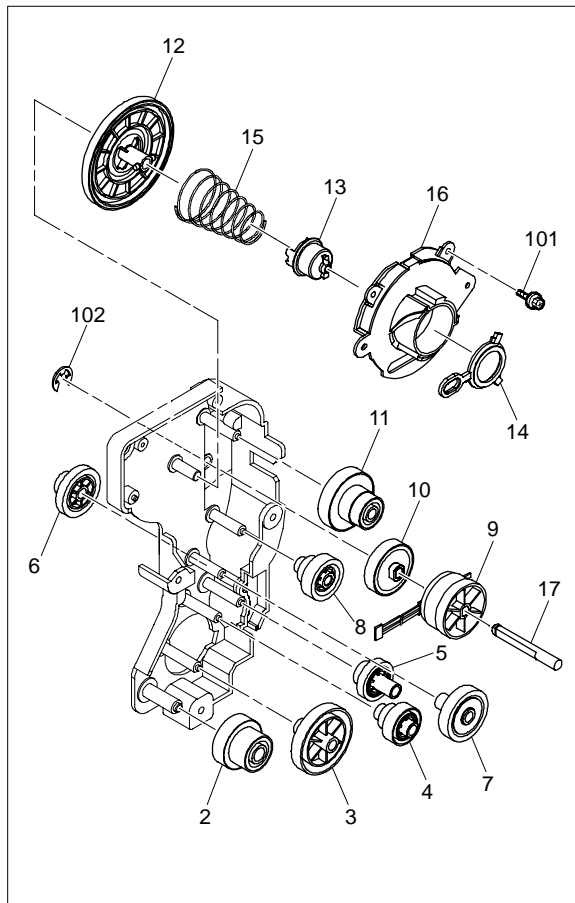


23. Drive Section 1

Index No.	Part No.	Description	Q'ty Per Assembly
1	M1601101	BRACKET:MOTOR:ASS'Y	1
2	M1601105	GEAR:MOTOR:DRIVE	2
3	M1711106	GEAR:PAPER FEED:NO.1:P1A	1
4	M1711107	GEAR:DUPLEX:NO.1:P1A	1
5	M1711108	DC BRUSHLESS MOTOR:MAIN:P1A	1
6	M1711111	BRACKET:MAIN:P1A:ASS'Y	1
7	M1711121	GEAR:DRUM:NO.2:P1A	1
8	M1711122	JOINT:DRUM:P1A	1
9	M1601123	COIL SPRING:DRUM	1
10	M1601124	GEAR:DUPLEX UNIT:NO.2	1
11	M1601125	PULLEY:FUSING:NO.1	1
12	M1601126	PULLEY:FUSING:NO.2	1
13	M1601127	SYNCHRONOUS BELT:FUSING:S3M	1
14	M1601128	GEAR:FUSING:NO.1	1
15	M1601129	GEAR:FUSING:NO.2	1
16	M1601130	COIL SPRING:FUSING	1
17	M1601131	HOLDER:SPLINE:JOINT	1
18	M1601135	GUIDE:LINK:MAIN	1
19	M1601136	LINK:MAIN	1
20	M1601137	COIL SPRING:MAIN	1
21	M1601162	BRACKET:FUSING	1
22	M1601163	GUIDE:ELECTROMAGNETIC CLUTCH	1
23	M1601181	ELECTROMAGNETIC CLUTCH:DUPLICATION UNIT	1
24	M1601139	LINK:FRONT	1
25	M1711132	GEAR:EXIT	1
26	M1601171	BKT:DAMPER	1
27	M1601172	PAD:DAMPER	1
28	M1601173	MYLAR:BKT:DAMPER	1

Index No.	Part No.	Description	Q'ty Per Assembly
101	04513006N	TAPPING SCREW:3X6	
102	07200030E	RETAINING RINGS-E:3	
103	04533006N	BINDING SELF TAPPING SCREW:3X6	

24. Drive Section 2

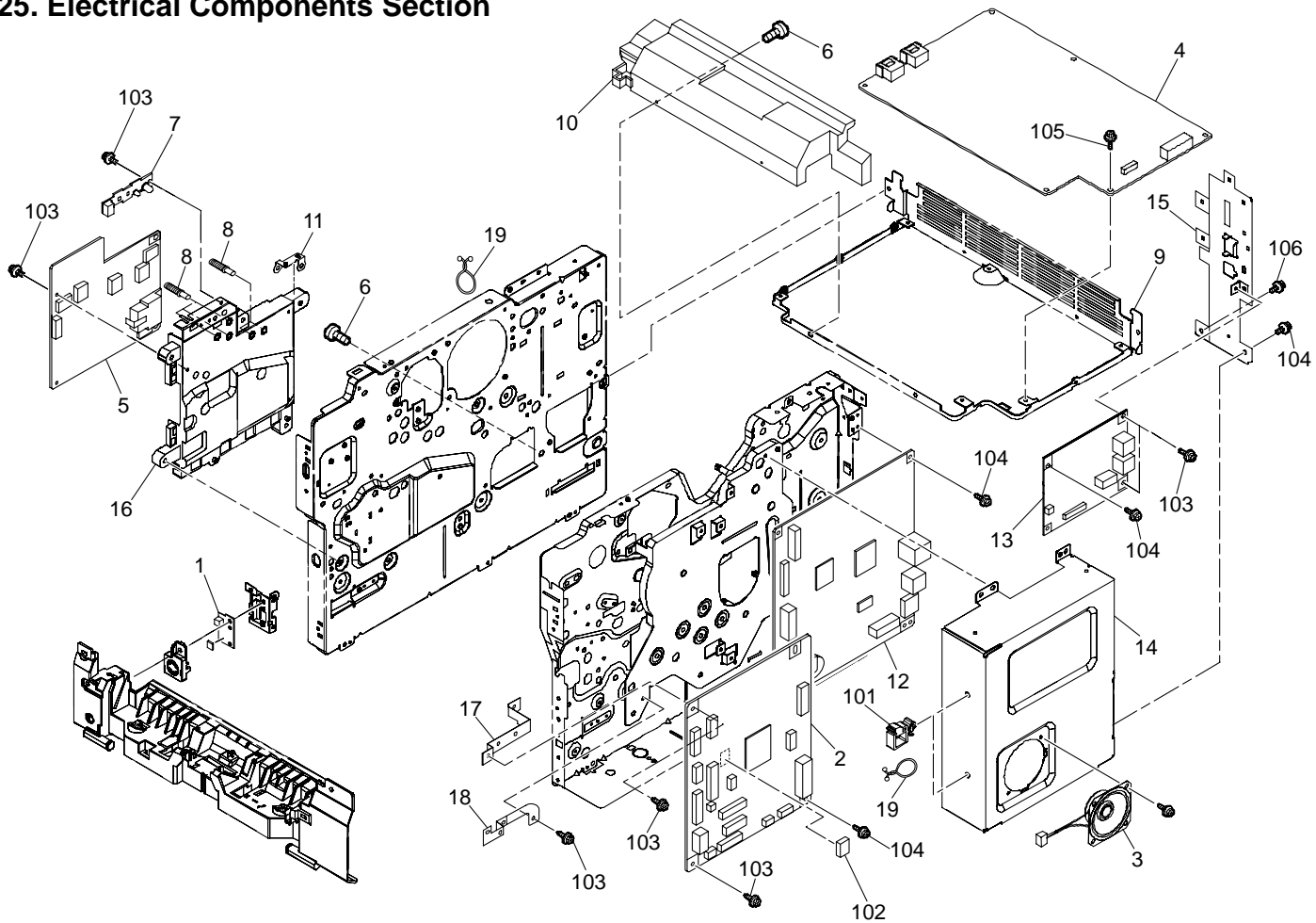


24. Drive Section 2

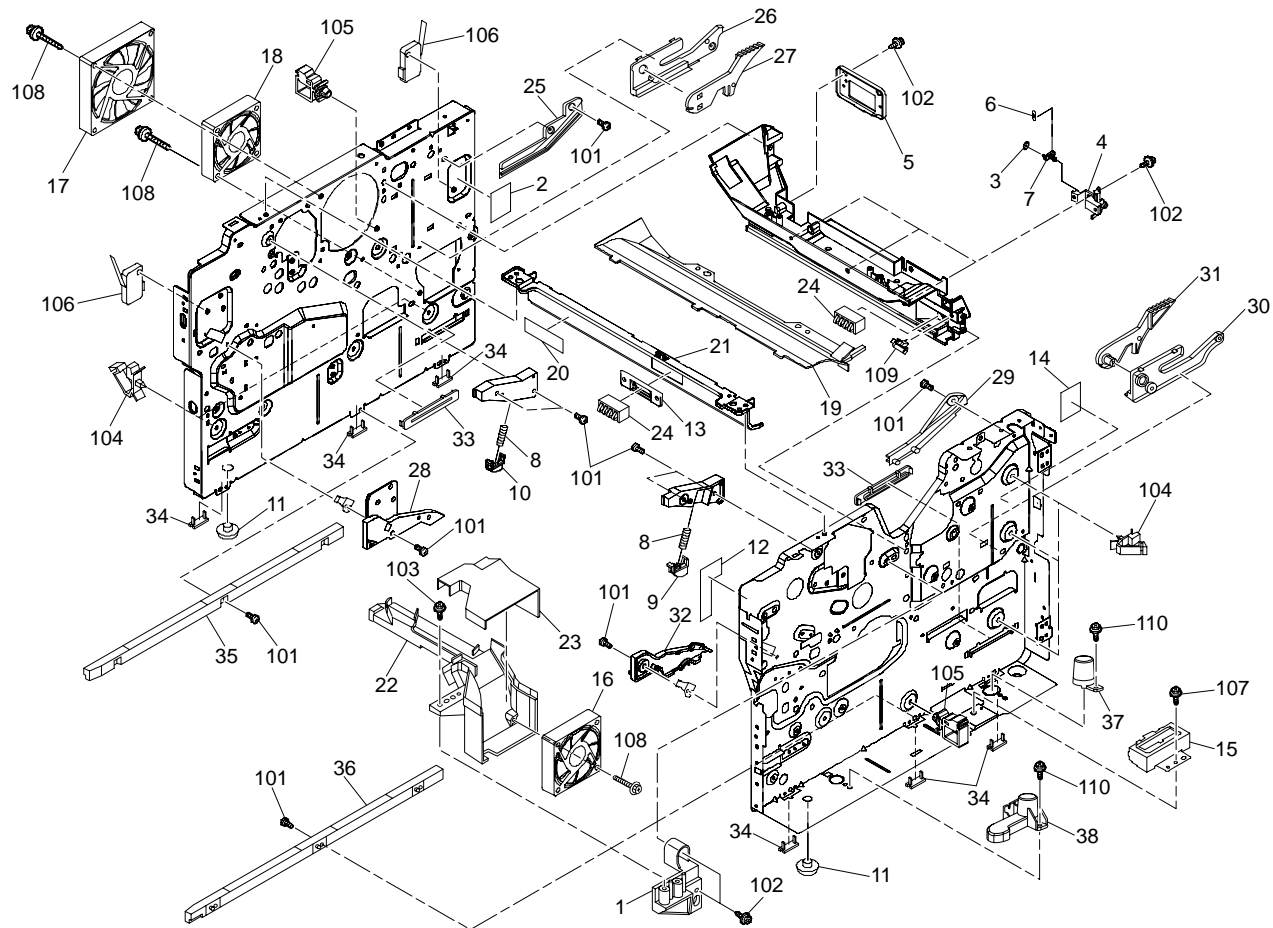
Index No.	Part No.	Description	Q'ty Per Assembly
1	M1601141	HOUSING:PAPER FEED	1
2	M1601142	GEAR:PAPER FEED:NO.2	1
3	M1601143	GEAR:PAPER FEED:NO.3	1
4	M1601144	GEAR:TRANSFER:NO.1	1
5	M1601145	GEAR:TRANSFER:NO.2	1
6	M1601146	GEAR:MANUAL FEED TABLE:NO.1	1
7	M1601147	GEAR:MANUAL FEED:NO.1	1
8	M1601148	GEAR:MANUAL FEED:NO.2	1
9	M1601149	ELECTROMAGNETIC CLUTCH:TONER SUPPLY	1
10	M1601150	GEAR:TONER SUPPLY:NO.1	1
11	M1601151	GEAR:TONER SUPPLY:NO.2	1
12	M1601152	GEAR:TONER SUPPLY:NO.3	1
13	M1601153	JOINT:TONER	1
14	M1601154	GUIDE:JOINT:TONER	1
15	M1601155	COIL SPRING:TONER SUPPLY	1
16	M1601156	HOUSING:JOINT:TONER	1
17	M1601157	SHAFT:TONER SUPPLY	1
18	M1601158	GUIDE:GEAR:MANUAL FEED TABLE	1
19	M1601138	BUSHING:TONER SUPPLY:ELECTROMAGNETIC CLUTCH	1
20	M1601161	COVER:MOTOR	1
21	M1601182	ELECTROMAGNETIC CLUTCH:MANUAL FEED	1
22	M1601183	ELECTROMAGNETIC CLUTCH:MANUAL FEED:TRAY BOTTOM PLATE	1
23	M1601184	ELECTROMAGNETIC CLUTCH:PAPER FEED	1
24	M1601185	ELECTROMAGNETIC CLUTCH:REGISTRATION	1
25	M1601186	ELECTROMAGNETIC CLUTCH:CONNECTING	1
26	AW140016	TEMPERATURE & HUMIDITY SENSOR	1

Index No.	Part No.	Description	Q'ty Per Assembly
101	04503008N	TAPPING SCREW:3X8	
102	07200040E	RETAINING RINGS-E:4	
103	03603006N	SCREW:M3X6	
104	04513006N	TAPPING SCREW:3X6	
105	54472681	SNAP RING	

25. Electrical Components Section



26. Main Frame Section



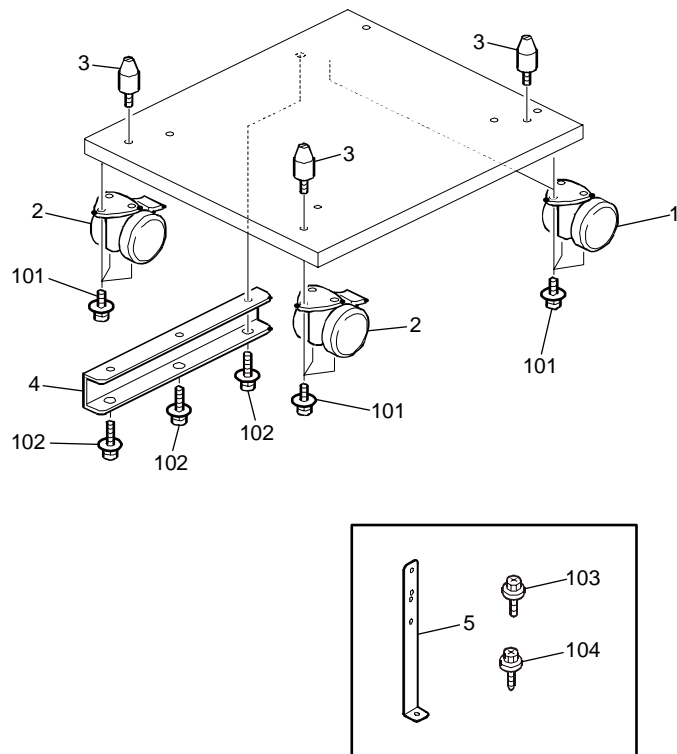
26. Main Frame Section

Index No.	Part No.	Description	Q'ty Per Assembly
1	M1711037	BRACKET:DUCT:SUB:FAN:MAIN	1
2	M1604248	DECAL:ENVELOPE:LEVER:FUSER	1
3	M1601044	PICKOFF PAWL:MAIN	3
4	M1601045	BRACKET:HOLDER:PICKOFFPAWL	3
5	M1601080	BRACKET:DRAWER:FUSING	1
6	M1601092	HOLDER:PICKOFF PAWL:MAIN	3
7	M1601093	COIL SPRING:HOLDER:PICKOFF PAWL	3
8	M1601063	COIL SPRING:TIGHTENER:PCU	2
9	M1601066	TIGHTENER:PCU:RIGHT	1
10	M1601062	TIGHTENER:PCU:LEFT	1
11	AH010017	RUBBER FOOT:H5	2
12	M1601198	DECAL:LEVER:SEPARATOR:TONER CARTRIDGE	1
13	M1601078	BRACKET:RAM BOARD:PCU	1
14	M1601059	DECAL:H-TEMP WARNING	1
15	M1601091	BRACKET:CONNECTOR:PAPER BANK	1
16	GX640031	FAN MOTOR:DC:2.64W	1
17	M1711191	DC FAN MOTOR:80X15:P1A	1
18	M1591193	DC FAN MOTOR:60X15	1
19	M1711079	DUCT:PCDU:P1A	1
20	M1601027	DECAL:H-TEMP WARNING:WARNING	1
21	M1601056	STAY:FRAME:FRONT	1
22	M1711038	DUCT:SUB:FAN:LOWER	1
23	M1711039	DUCT:SUB:FAN:UPPER	1
24	M1873360	CONNECTOR:ID_CHIP	2
25	M1601071	GUIDE:FUSING:LEFT UPPER	1
26	M1601072	GUIDE:FUSING:LEFT LOWER	1
27	M1601073	LEVER:FUSING:LEFT	1
28	M1601061	GUIDE:PCU:LEFT LOWER	1
29	M1601075	GUIDE:FUSING:RIGHT UPPER	1
30	M1601076	GUIDE:FUSING:RIGHT LOWER	1
31	M1601077	LEVER:FUSING:RIGHT	1
32	M1601064	GUIDE:PCU:RIGHT LOWER	1
33	M1601095	COVER:FRAME:TRAY	2
34	M1601096	COVER:FRAME:LOWER	6

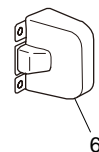
Index No.	Part No.	Description	Q'ty Per Assembly
35	M1601067	GUIDE:TRAY:LEFT	1
36	M1601068	GUIDE:TRAY:RIGHT	1
37	M1601094	COVER:FRAME:PAPER BANK	1
38	M1601197	COVER:BANKHOLE:FRONT	1
101	04533006N	BINDING SELF TAPPING SCREW:3X6	
102	04503008N	TAPPING SCREW:3X8	
103	04503010N	TAPPING SCREW:3X10	
104	11050758	CLAMP:LWSM-0306A	
105	11050762	CLAMP:LWS-0711A	
106	12042612	MICROSWITCH:D3V-16506-3C25(10E)	
107	04513006N	TAPPING SCREW:3X6	
108	04513020N	TAPPING SCREW:3X20	
109	11050760	CLAMP:LWSM-0511A	
110	04543006Q	TAPPING SCREW:3X6	

27. Options

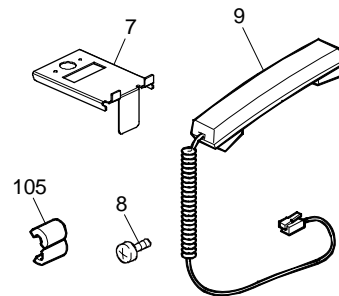
Caster Table



Wireless LAN for KIBO



Handset



27. Options

Index No.	Part No.	Description	Q'ty Per Assembly
1	H2931081	CASTER:AH012032	2
2	H2931082	CASTER:M4041060	2
3	M4041055	PIN:TABLE:M404	3
4	M4041067	STAND:SIDE:CASTER:TABLE	1
5	M4451099	BRACKET:COUPLING	1
6	M4555000	PCB:WLAN-SDIF:ASS'Y	1
7	M1190049	BRACKET:HAND SET	1
8	B4081390	FLAT SCREW:GROOVE TYPE	2
9	D5935071	HAND SET:IG:390:NA:ASS'Y	1

Index No.	Part No.	Description	Q'ty Per Assembly
101	09544008N	SCREW:POLISHED ROUND/SPRING:M4X8	
102	09544010N	SCREW:POLISHED ROUND/SPRING:M4X10	
103	03604008N	SCREW:M4X8	
104	04503014N	TAPPING SCREW:3X14	
105	16072251	FERRITE CORE:K3 NF-75(N)BK0	

Parts Index

Part No.	Description	Page and Index No.
08046123	HEXAGONAL BOLT:W/WASHER:M3X8	50 - 105
08046127	HEXAGONAL BOLT:DOUBLE SCREW:M3X8	38 - 102
08046127	HEXAGONAL BOLT:DOUBLE SCREW:M3X8	40 - 104
08050088	RETAINING RINGS-E:SILENCER:DIA6	34 - 102
08050089	RETAINING RINGS-E:SILENCER:DIA4	24 - 103
08050089	RETAINING RINGS-E:SILENCER:DIA4	28 - 107
08050089	RETAINING RINGS-E:SILENCER:DIA4	32 - 102
08050089	RETAINING RINGS-E:SILENCER:DIA4	34 - 103
08050089	RETAINING RINGS-E:SILENCER:DIA4	40 - 102
08050089	RETAINING RINGS-E:SILENCER:DIA4	44 - 103
11050758	CLAMP:LWSM-0306A	36 - 103
11050758	CLAMP:LWSM-0306A	52 - 104
11050760	CLAMP:LWSM-0511A	52 - 109
11050762	CLAMP:LWS-0711A	50 - 101
11050762	CLAMP:LWS-0711A	52 - 105
11500456	POWER SUPPLY CODE:250V:10A:CHN	2 - 18
11500463	POWER SUPPLY CODE:125V:13A:NA	2 - 18
11500465	POWER SUPPLY CODE:250V:10A:EU	2 - 18
12042612	MICROSWITCH:D3V-16506-3C25(10E)	52 - 106
14077677	EEPROM:BR24T64-W	50 - 102
16072251	FERRITE CORE:K3 NF-75(N)BKO	54 - 105
52152621	SNAP RING - M6	26 - 102
54472681	SNAP RING	28 - 105
54472681	SNAP RING	48 - 105
03130030N	PAN HEAD SCREW:M3X3	42 - 102
03130030N	PAN HEAD SCREW:M3X3	50 - 106
03130040N	PAN HEAD SCREW:M3X4	24 - 105
03603006N	SCREW:M3X6	48 - 103
03604008N	SCREW:M4X8	54 - 103
04503008N	TAPPING SCREW:3X8	2 - 101

Part No.	Description	Page and Index No.
04503008N	TAPPING SCREW:3X8	26 - 101
04503008N	TAPPING SCREW:3X8	28 - 101
04503008N	TAPPING SCREW:3X8	30 - 101
04503008N	TAPPING SCREW:3X8	32 - 103
04503008N	TAPPING SCREW:3X8	36 - 101
04503008N	TAPPING SCREW:3X8	44 - 101
04503008N	TAPPING SCREW:3X8	48 - 101
04503008N	TAPPING SCREW:3X8	50 - 103
04503008N	TAPPING SCREW:3X8	52 - 102
04503010N	TAPPING SCREW:3X10	30 - 102
04503010N	TAPPING SCREW:3X10	32 - 101
04503010N	TAPPING SCREW:3X10	36 - 102
04503010N	TAPPING SCREW:3X10	38 - 101
04503010N	TAPPING SCREW:3X10	40 - 103
04503010N	TAPPING SCREW:3X10	42 - 101
04503010N	TAPPING SCREW:3X10	44 - 104
04503010N	TAPPING SCREW:3X10	52 - 103
04503014N	TAPPING SCREW:3X14	54 - 104
04513006N	TAPPING SCREW:3X6	2 - 102
04513006N	TAPPING SCREW:3X6	24 - 101
04513006N	TAPPING SCREW:3X6	28 - 102
04513006N	TAPPING SCREW:3X6	32 - 105
04513006N	TAPPING SCREW:3X6	44 - 105
04513006N	TAPPING SCREW:3X6	46 - 101
04513006N	TAPPING SCREW:3X6	48 - 104
04513006N	TAPPING SCREW:3X6	50 - 104
04513006N	TAPPING SCREW:3X6	52 - 107
04513008N	TAPPING SCREW:3X8	2 - 103
04513020N	TAPPING SCREW:3X20	52 - 108
04523008N	BINDING SELF-TAPPING SCREW:3X8	24 - 104

Part No.	Description	Page and Index No.
04523010N	BINDING SELF-TAPPING SCREW:3X10	4 - 101
04523010N	BINDING SELF-TAPPING SCREW:3X10	28 - 106
04523012N	BINDING SELF-TAPPING SCREW:3X12	4 - 102
04533006N	BINDING SELF TAPPING SCREW:3X6	34 - 101
04533006N	BINDING SELF TAPPING SCREW:3X6	46 - 103
04533006N	BINDING SELF TAPPING SCREW:3X6	52 - 101
04543006Q	TAPPING SCREW:3X6	24 - 102
04543006Q	TAPPING SCREW:3X6	28 - 103
04543006Q	TAPPING SCREW:3X6	30 - 103
04543006Q	TAPPING SCREW:3X6	32 - 106
04543006Q	TAPPING SCREW:3X6	52 - 110
07200030E	RETAINING RINGS-E:3	46 - 102
07200040E	RETAINING RINGS-E:4	28 - 104
07200040E	RETAINING RINGS-E:4	32 - 104
07200040E	RETAINING RINGS-E:4	42 - 103
07200040E	RETAINING RINGS-E:4	44 - 102
07200040E	RETAINING RINGS-E:4	48 - 102
09543010N	SCREW:POLISHED ROUND/SPRING:M3X10	38 - 103
09543014N	SCREW:POLISHED ROUND/SPRING:M3X14	40 - 101
09544008N	SCREW:POLISHED ROUND/SPRING:M4X8	54 - 101
09544010N	SCREW:POLISHED ROUND/SPRING:M4X10	54 - 102

Part No.	Description	Page and Index No.
A1532117	ROLLER TERMINAL	34 - 1
AA063399	COMPRESSION SPRING:VERTICAL TRANSPORT	28 - 30
AA080249	PLAIN SHAFT BEARING:MM4:VERTICAL TRANSPORT	28 - 27
AA082058	PLAIN SHAFT BEARING - 6X10X9MM	44 - 7
AA082116	PLAIN SHAFT BEARING:MM8	34 - 2
AA082118	PLAIN SHAFT BEARING:MM6	28 - 1
AA082118	PLAIN SHAFT BEARING:MM6	32 - 1
AA082118	PLAIN SHAFT BEARING:MM6	40 - 2
AA082118	PLAIN SHAFT BEARING:MM6	42 - 1
AA082118	PLAIN SHAFT BEARING:MM6	44 - 22
AA143592	SCREW:4X6	50 - 6
AE030083	RADIAL BALL BEARING: DIA6X DIA12X4	40 - 13
AF031092	PAPER FEED ROLLER:MANUAL FEED	28 - 31
AH010017	RUBBER FOOT:H5	52 - 11
AW020198	PHOTO INTERRUPTOR:LG2A14NL1	28 - 2
AW020198	PHOTO INTERRUPTOR:LG2A14NL1	32 - 2
AW020198	PHOTO INTERRUPTOR:LG2A14NL1	36 - 1
AW020198	PHOTO INTERRUPTOR:LG2A14NL1	42 - 2
AW110101	THERMOSTAT:LOWER	38 - 2
AW140016	TEMPERATURE & HUMIDITY SENSOR	48 - 26
AZ230267	POWER SUPPLY UNIT:G1M-MF1:DOM/NA	50 - 4
AZ230269	POWER SUPPLY UNIT:G1M-MF1:EU/AA/CHN	50 - 4
AZ320187	POWER PACK:GDVT:G1M	50 - 5
B0394480	SCREW:DIA5	28 - 33
B0902742	ROLLER:PULL OUT:OPTION TRAY	28 - 28
B0902869	GEAR:16Z	30 - 8
B1345050	SPEAKER:B134	50 - 3
B4081390	FLAT SCREW:GROOVE TYPE	54 - 8
D1172725	COMPRESSION SPRING:PAPER FEED:MANUAL FEED	28 - 29
D1204184	DECAL:H-TEMP WARNING:SMALL	38 - 30

Part No.	Description	Page and Index No.
D1495686	PCB:DCSW	28 - 3
D1495686	PCB:DCSW	50 - 1
D5935071	HAND SET:IG:390:NA:ASS'Y	54 - 9
D6457901	SHEET:EULA:20LANGUAGES:CHN	2 - 16
D6457902	SEAL:CAUTION:20LANGUAGES	2 - 17
G8003035	PUSH SWITCH:CASSETTE	32 - 15
GA063084	COMPRESSION SPRING:AUXILIARY:SIDE FENCE	30 - 21
GW010007	REFLECTION PHOTO SENSOR:EXIT	34 - 20
GX640031	FAN MOTOR:DC:2.64W	52 - 16
H2931081	CASTER:AHO12032	54 - 1
H2931082	CASTER:M4041060	54 - 2
H4524105	MODULER CORD:6PIN-6PIN	2 - 19
H5235350	MODULER CORD:NA	2 - 19
MO124055	RADIAL BALL BEARING:35X47X7	38 - 10
MO124281	RETAINING RINGS-C:HOT ROLLER	38 - 11
MO212609	STOPPER:CASSETTE	30 - 12
MO212816	COMPRESSION SPRING:PAPER FEED	32 - 3
MO214619	COMPRESSION SPRING:2N	40 - 7
MO521210	PLATE:LOGO:RIC	2 - 6
MO524301	DECAL:BARCODE:FUSING UNIT	40 - 23
MO752610	COMPRESSION SPRING:LOCK:SIDE FENCE	30 - 4
M1091948	CLEANER:LENS:LED HEAD	2 - 15
M1190049	BRACKET:HAND SET	54 - 7
M1581498	LCD:GIMLET-MF:MV	4 - 20
M1591193	DC FAN MOTOR:60X15	52 - 18
M1600141	PCU:EXP:ASS'Y	24 - 23
M1601027	DECAL:H-TEMP WARNING:WARNING	52 - 20
M1601044	PICKOFF PAWL:MAIN	52 - 3
M1601045	BRACKET:HOLDER:PICKOFFPAWL	52 - 4
M1601056	STAY:FRAME:FRONT	52 - 21

Part No.	Description	Page and Index No.
M1601059	DECAL:H-TEMP WARNING	52 - 14
M1601061	GUIDE:PCU:LEFT LOWER	52 - 28
M1601062	TIGHTENER:PCU:LEFT	52 - 10
M1601063	COIL SPRING:TIGHTENER:PCU	52 - 8
M1601064	GUIDE:PCU:RIGHT LOWER	52 - 32
M1601066	TIGHTENER:PCU:RIGHT	52 - 9
M1601067	GUIDE:TRAY:LEFT	52 - 35
M1601068	GUIDE:TRAY:RIGHT	52 - 36
M1601071	GUIDE:FUSING:LEFT UPPER	52 - 25
M1601072	GUIDE:FUSING:LEFT LOWER	52 - 26
M1601073	LEVER:FUSING:LEFT	52 - 27
M1601075	GUIDE:FUSING:RIGHT UPPER	52 - 29
M1601076	GUIDE:FUSING:RIGHT LOWER	52 - 30
M1601077	LEVER:FUSING:RIGHT	52 - 31
M1601078	BRACKET:RAM BOARD:PCU	52 - 13
M1601080	BRACKET:DRAWER:FUSING	52 - 5
M1601082	BRACKET:MAIN SWITCH	28 - 4
M1601083	HOLDER:MAIN SWITCH	28 - 5
M1601084	KEY:BUTTON:MAIN SWITCH	26 - 1
M1601085	COIL SPRING:MAIN SWITCH	26 - 2
M1601091	BRACKET:CONNECTOR:PAPER BANK	52 - 15
M1601092	HOLDER:PICKOFF PAWL:MAIN	52 - 6
M1601093	COIL SPRING:HOLDER:PICKOFF PAWL	52 - 7
M1601094	COVER:FRAME:PAPER BANK	52 - 37
M1601095	COVER:FRAME:TRAY	52 - 33
M1601096	COVER:FRAME:LOWER	52 - 34
M1601101	BRACKET:MOTOR:ASS'Y	46 - 1
M1601105	GEAR:MOTOR:DRIVE	46 - 2
M1601123	COIL SPRING:DRUM	46 - 9
M1601124	GEAR:DUPLX UNIT:NO.2	46 - 10

Part No.	Description	Page and Index No.
M1601125	PULLEY:FUSING:NO. 1	46 - 11
M1601126	PULLEY:FUSING:NO. 2	46 - 12
M1601127	SYNCHRONOUS BELT:FUSING:S3M	46 - 13
M1601128	GEAR:FUSING:NO. 1	46 - 14
M1601129	GEAR:FUSING:NO. 2	46 - 15
M1601130	COIL SPRING:FUSING	46 - 16
M1601131	HOLDER:SPLINE:JOINT	46 - 17
M1601135	GUIDE:LINK:MAIN	46 - 18
M1601136	LINK:MAIN	46 - 19
M1601137	COIL SPRING:MAIN	46 - 20
M1601138	BUSHING:TONER SUPPLY:ELECTROMAGNETIC CLUTCH	48 - 19
M1601139	LINK:FRONT	46 - 24
M1601141	HOUSING:PAPER FEED	48 - 1
M1601142	GEAR:PAPER FEED:NO. 2	48 - 2
M1601143	GEAR:PAPER FEED:NO. 3	48 - 3
M1601144	GEAR:TRANSFER:NO. 1	48 - 4
M1601145	GEAR:TRANSFER:NO. 2	48 - 5
M1601146	GEAR:MANUAL FEED TABLE:NO. 1	48 - 6
M1601147	GEAR:MANUAL FEED:NO. 1	48 - 7
M1601148	GEAR:MANUAL FEED:NO. 2	48 - 8
M1601149	ELECTROMAGNETIC CLUTCH:TONER SUPPLY	48 - 9
M1601150	GEAR:TONER SUPPLY:NO. 1	48 - 10
M1601151	GEAR:TONER SUPPLY:NO. 2	48 - 11
M1601152	GEAR:TONER SUPPLY:NO. 3	48 - 12
M1601153	JOINT:TONER	48 - 13
M1601154	GUIDE:JOINT:TONER	48 - 14
M1601155	COIL SPRING:TONER SUPPLY	48 - 15
M1601156	HOUSING:JOINT:TONER	48 - 16
M1601157	SHAFT:TONER SUPPLY	48 - 17
M1601158	GUIDE:GEAR:MANUAL FEED TABLE	48 - 18

Part No.	Description	Page and Index No.
M1601161	COVER:MOTOR	48 - 20
M1601162	BRACKET:FUSING	46 - 21
M1601163	GUIDE:ELECTROMAGNETIC CLUTCH	46 - 22
M1601171	BKT:DAMPER	46 - 26
M1601172	PAD:DAMPER	46 - 27
M1601173	MYLAR:BKT:DAMPER	46 - 28
M1601181	ELECTROMAGNETIC CLUTCH:DUPLX UNIT	46 - 23
M1601182	ELECTROMAGNETIC CLUTCH:MANUAL FEED	48 - 21
M1601183	ELECTROMAGNETIC CLUTCH:MANUAL FEED:TRAY BOTTOM PLATE	48 - 22
M1601184	ELECTROMAGNETIC CLUTCH:PAPER FEED	48 - 23
M1601185	ELECTROMAGNETIC CLUTCH:REGISTRATION	48 - 24
M1601186	ELECTROMAGNETIC CLUTCH:CONNECTING	48 - 25
M1601197	COVER:BANKHOLE:FRONT	52 - 38
M1601198	DECAL:LEVER:SEPARATOR:TONER CARTRIDGE	52 - 12
M1601850	OPTICAL WRITING UNIT:ASS'Y	24 - 1
M1601900	LED HEAD:1200DPI:211.3MM	24 - 2
M1601901	COIL SPRING:HOLDER:LED	24 - 3
M1601902	HOLDER:COIL SPRING:LED	24 - 4
M1601903	GROUND PLATE:LED:A:LEFT	24 - 5
M1601904	GROUND PLATE:LED:A:RIGHT	24 - 6
M1601905	GROUND PLATE:LED:B	24 - 11
M1601906	HOLDER:LED:RIGHT	24 - 7
M1601907	HINGE:LED:ASS'Y	24 - 22
M1601910	LINK:LED:A:LEFT	24 - 12
M1601911	LINK:LED:B:LEFT	24 - 13
M1601912	LINK:LED:C:LEFT	24 - 14
M1601913	LINK:LED:A:RIGHT	24 - 17
M1601914	LINK:LED:B:RIGHT	24 - 18
M1601915	LINK:LED:C:RIGHT	24 - 19
M1601916	SPACER:HOLDER:LED	24 - 8

Part No.	Description	Page and Index No.
M1601917	COIL SPRING:LINK:LED:LEFT	24 - 15
M1601918	GUIDE:LINK:LED:LEFT	24 - 16
M1601919	GUIDE:LINK:LED:RIGHT	24 - 20
M1601926	FRAME:HOLDER:LED:ASS'Y	24 - 9
M1601928	COIL SPRING:LINK:LED:RIGHT	24 - 21
M1601936	HOLDER:LED:LEFT	24 - 10
M1602563	LEVER:LOCK:END FENCE	30 - 5
M1602572	DECAL:OPERATION INSTRUCTIONS:TRAY:REAR	30 - 6
M1602582	COVER:CONNECTOR:PAPER SIZE SENSOR:BRACKET	32 - 19
M1602590	TIGHTENER:SPRING PLATE:TRAY:ASS'Y	30 - 29
M1602620	HOLDER:FRICTION PAD:ADHESION	30 - 13
M1602620	HOLDER:FRICTION PAD:ADHESION	40 - 29
M1602623	COMPRESSION SPRING:SEPARATION	30 - 14
M1602630	TRAY BOTTOM PLATE:ADHESION	30 - 15
M1602631	GRIP:PAPER TRAY	30 - 26
M1602635	SPACER:SENSOR:PAPER SIZE SENSOR:OUTER	32 - 17
M1602636	SPACER:SENSOR:PAPER SIZE SENSOR:MIDDLE	32 - 4
M1602641	HOLDER:PINION	30 - 19
M1602655	LEVER:LOCK:SIDE FENCE:TRAY	30 - 18
M1602668	ARM:TRAY BOTTOM PLATE	30 - 22
M1602680	DIAL:PAPER SIZE SENSOR:TRAY:DOM:ASS'Y	30 - 23
M1602681	DECAL:DIAL:PAPER SIZE SENSOR:TRAY:DOM	30 - 24
M1602682	DECAL:DIAL:PAPER SIZE SENSOR:TRAY:EXP	30 - 24
M1602683	CLICK:DIAL:PAPER SIZE SENSOR:TRAY	30 - 25
M1602687	DIAL:PAPER SIZE SENSOR:TRAY:EXP:ASS'Y	30 - 23
M1602693	DECAL:PAPER SET DIRECTION	30 - 28
M1602706	TRAY BOTTOM PLATE:MANUAL FEED:ASS'Y	28 - 6
M1602707	HOLDER:FRICTION PAD:MANUAL FEED:ASS'Y	28 - 11
M1602710	COVER:DOOR:FRONT:MIDDLE	26 - 18
M1602711	COVER:MANUAL FEED	26 - 15

Part No.	Description	Page and Index No.
M1602712	LINK:LATCH:DOOR:FRONT	26 - 3
M1602713	COIL SPRING:LATCH:DOOR:FRONT	26 - 4
M1602715	BASE:PAPER TRAY:MANUAL FEED	26 - 8
M1602721	GUIDE:SIDE FENCE:LEFT:MANUAL FEED	26 - 9
M1602722	GUIDE:SIDE FENCE:RIGHT:MANUAL FEED	26 - 10
M1602723	GEAR:RACK:SIDE FENCE:MANUAL FEED	26 - 11
M1602724	GEAR:PIVOT	26 - 12
M1602730	GUIDE:STAY:MANUAL FEED	28 - 12
M1602731	GUIDE:SUB:STAY:MANUAL FEED	28 - 13
M1602733	LINK:BASE:SILENCER	28 - 7
M1602734	GUIDE:LEFT:TRAY BOTTOM PLATE	28 - 8
M1602735	GUIDE:RIGHT:TRAY BOTTOM PLATE	28 - 9
M1602737	SEAL:CLEANER:ROLLER:CONNECTING	28 - 32
M1602741	SHAFT:SILENCER	28 - 14
M1602742	CAM:SILENCER:LEFT	28 - 15
M1602743	CAM:SILENCER:RIGHT	28 - 16
M1602744	SPRING PLATE:HOME POSITION SENSOR:SILENCER	28 - 17
M1602745	LINK:FEELER:HOME POSITION SENSOR:SILENCER	28 - 18
M1602746	COIL SPRING:FEELER:SILENCER	28 - 19
M1602747	GROUND PLATE:MANUAL FEED	28 - 20
M1602751	SHEET:ENTRANCE:MIDDLE:ROLLER	28 - 21
M1602752	SHEET:EXIT:STAY:MANUAL FEED	28 - 22
M1602754	COIL SPRING:FRICTION PAD	28 - 23
M1602755	PAD:BASE	28 - 10
M1602760	SHAFT:PICKUP:MANUAL FEED	28 - 24
M1602762	GUIDE:UPPER:MANUAL FEED	28 - 25
M1602763	LINK:FEELER:PAPER END	28 - 26
M1602773	EXTENSION TRAY:MANUAL FEED	26 - 16
M1602774	COIL SPRING:LATCH:COVER:MANUAL FEED	26 - 13
M1602775	HOLDER:COMPRESSION SPRING:EXTENSION TRAY	26 - 14

Part No.	Description	Page and Index No.
M1602776	COVER:EXTENSION TRAY:MANUAL FEED	26 - 17
M1602802	PLAIN SHAFT BEARING:SUPPORT:CONNECTION:ROLLER	32 - 18
M1602803	LEVER:PRESSURE RELEASE:FEED ROLLER	32 - 5
M1602804	SHAFT:PRESSURE RELEASE:FEED ROLLER:DIA6	32 - 6
M1602807	SHAFT:ROLLER:PAPER TRAY:DIA6	32 - 7
M1602811	ROLLER:CONNECTING:PAPER TRAY:STAY	32 - 8
M1602812	GROUND PLATE:PAPER TRAY:STAY	32 - 9
M1602813	GUIDE:COVER:STAY:PAPER TRAY:FRONT	32 - 10
M1602814	GUIDE:TRANSFER:AUXILIARY	32 - 20
M1602816	SHEET:REGISTRATION GUIDE:STAY:UPPER	32 - 11
M1602819	DISCHARGE BRUSH:FEED PAPER AGAIN:STAY:REAR	32 - 12
M1602822	FEELER:PAPER END SENSOR:PAPER TRAY:STAY	32 - 13
M1602830	ROLLER:PAPER FEED:ASS' Y	32 - 14
M1602830	ROLLER:PAPER FEED:ASS' Y	40 - 28
M1602900	REGISTRATION ROLLER:DRIVEN	34 - 3
M1602901	REGISTRATION ROLLER:DRIVE	34 - 4
M1602902	GROUND PLATE:REGISTRATION ROLLER:DRIVEN	34 - 5
M1602903	LEVER:PRESSURE:REGISTRATION ROLLER:RIGHT	34 - 6
M1602904	LEVER:PRESSURE:REGISTRATION ROLLER:LEFT	34 - 7
M1602905	COIL SPRING:REGISTRATION ROLLER:PRESSURE:LEVER	34 - 8
M1602906	GUIDE:REGISTRATION ROLLER:UPPER	34 - 9
M1602907	DECAL:REGISTRATION:GUIDE:LEFT UPPER	34 - 10
M1602908	DECAL:REGISTRATION ROLLER:GUIDE:UPPER	34 - 11
M1602909	COVER:REGISTRATION ROLLER:GUIDE:UPPER	34 - 12
M1602912	TORSION SPRING:REGISTRATION ROLLER:GUIDE:RIGHT	34 - 21
M1602917	SHEET:REGISTRATION ROLLER:HOLDER:SENSOR	34 - 15
M1602919	CAP:REGISTRATION ROLLER:LEVER:RIGHT	34 - 16
M1602920	INSULATING SHEET:REGISTRATION:GUIDE:DUPLEX:RIGHT	34 - 17
M1602921	INSULATING SHEET:REGISTRATION:GUIDE:DUPLEX:LEFT	34 - 18
M1602922	SEAL:CLEANER:REGISTRATION ROLLER:LEFT	34 - 13

Part No.	Description	Page and Index No.
M1602923	SEAL:CLEANER:REGISTRATION ROLLER:RIGHT	34 - 14
M1602929	STUD:BRACKET:REGISTRATION:LEFT:ASS' Y	34 - 19
M1603850	STAY:TRANSFER	36 - 2
M1603851	GUIDE:EXIT:STAY:TRANSFER	36 - 3
M1603852	SHEET:GUIDE:REGISTRATION:ENTRANCE:LEFT	36 - 4
M1603853	SHEET:GUIDE:REGISTRATION:ENTRANCE:RIGHT	36 - 5
M1603854	GUIDE:TRANSFER ROLLER	36 - 6
M1603855	SHEET:GUIDE:TRANSFER ROLLER	36 - 7
M1603856	BUSHING:TRANSFER ROLLER:LEFT	36 - 8
M1603857	BUSHING:TRANSFER ROLLER:RIGHT	36 - 9
M1603858	COIL SPRING:TRANSFER ROLLER	36 - 10
M1603859	GROUND PLATE:ELECTRODE PLATE:SEPARATION	36 - 11
M1603860	ELECTRODE PLATE:SEPARATION	36 - 12
M1603861	COVER:ELECTRODE PLATE:SEPARATION	36 - 13
M1603862	SEAL:COVER:TRANSFER	36 - 15
M1603863	SEAL:TONER CATCHPAN	36 - 16
M1604053	FLAT NUT:FRAME	40 - 1
M1604055	EXIT ROLLER:FUSING	40 - 3
M1604057	LEVER:ENVELOPE:LEFT	40 - 4
M1604058	LEVER:ENVELOPE:RIGHT	40 - 5
M1604059	SHAFT:LEVER:ENVELOPE	40 - 6
M1604063	DISCHARGE BRUSH:PRESSURE ROLLER	40 - 11
M1604064	GROUND PLATE:PRESSURE ROLLER	40 - 12
M1604074	LEVER:PRESSURE	40 - 14
M1604075	TENSION SPRING:PRESSURE ROLLER	40 - 15
M1604077	FUSING ENTRANCE GUIDE PLATE:LOWER	40 - 17
M1604079	BRACKET:FUSING ENTRANCE GUIDE PLATE:RIGHT	40 - 18
M1604085	TORSION SPRING:FUSING ENTRANCE GUIDE PLATE	40 - 19
M1604086	GEAR:HOT ROLLER	38 - 12
M1604087	GEAR:IDLER:DIA35:FUSING	40 - 20

Part No.	Description	Page and Index No.
M1604088	GEAR: IDLER: DIA20: FUSING	40 - 21
M1604089	GEAR: IDLER: DIA18: FUSING EXIT	40 - 22
M1604090	PLAIN SHAFT BEARING: MM4	40 - 9
M1604091	DRIVEN ROLLER: DUPLEX	40 - 10
M1604096	PRESSURE ROLLER: DIA34	40 - 16
M1604103	FLAT NUT: THERMISTOR	38 - 21
M1604106	ELECTRODE PLATE: LEFT	38 - 3
M1604107	ELECTRODE PLATE: RIGHT	38 - 4
M1604109	GROUND PLATE: HOT ROLLER: ASS' Y	38 - 5
M1604110	GROUND PLATE: UPPER	38 - 6
M1604111	BRACKET: GROUND PLATE: HOT ROLLER	38 - 7
M1604113	PICKOFF PAWL: HOT ROLLER	38 - 9
M1604114	TENSION SPRING: PICKOFF PAWL	38 - 8
M1604118	THERMAL INSULATING BUSHING: HOT ROLLER	38 - 14
M1604119	HOT ROLLER: DIA30	38 - 13
M1604121	BRACKET: HEATER: LEFT	38 - 18
M1604122	BRACKET: HEATER: RIGHT	38 - 19
M1604126	SEPARATOR: FUSING	38 - 17
M1604130	FUSING ENTRANCE GUIDE PLATE: UPPER	38 - 16
M1604151	GUIDE PLATE: FUSING EXIT	38 - 23
M1604154	EXIT ROLLER: FUSING EXIT	38 - 24
M1604155	HOLDER: EXIT ROLLER	38 - 25
M1604156	SPRING PLATE: EXIT ROLLER	38 - 26
M1604157	ROLLER: MIDDLE: FUSING: DIA11	38 - 28
M1604158	ROLLER: MIDDLE: FUSING: DIA11	38 - 29
M1604159	SHAFT: EXIT ROLLER: FUSING EXIT	38 - 27
M1604171	COVER: FUSING: LEFT	38 - 15
M1604172	COVER: FUSING: RIGHT	40 - 24
M1604207	HEATER: 740W: 227V (CHN/EU)	38 - 20
M1604208	HEATER: 740W: 117V	38 - 20

Part No.	Description	Page and Index No.
M1604211	DRAWER: FUSING: EU	38 - 31
M1604212	DRAWER: FUSING: NA	38 - 31
M1604216	THERMISTOR: FUSING: ASS' Y	38 - 22
M1604248	DECAL: ENVELOPE: LEVER: FUSER	52 - 2
M1604464	PRESSURE PLATE: FUSING: GUIDE	42 - 6
M1604468	COIL SPRING: PRESSURE PLATE	42 - 9
M1604489	ROLLER: IDLER: MIDDLE: GUIDE	42 - 14
M1604494	DECAL: LEFT: COVER: REAR	42 - 30
M1604495	DECAL: RIGHT: COVER: REAR	42 - 31
M1604497	COIL SPRING: GUIDE: REAR: EXIT	42 - 19
M1604498	COIL SPRING: LEVER: DOOR: EXIT	42 - 20
M1604601	GUIDE: UPPER: DUPLEX UNIT	44 - 1
M1604603	FEELER: UPPER: DUPLEX UNIT	44 - 2
M1604605	SHAFT: IDLER: UPPER: ASS' Y	44 - 3
M1604607	BUSHING: IDLER: DIA4	44 - 4
M1604611	COIL SPRING: IDLER: DUPLEX UNIT	44 - 5
M1604621	GUIDE: FRONT: DUPLEX UNIT	44 - 8
M1604622	GRIP: FRONT: DUPLEX UNIT	44 - 9
M1604623	HOOK: FRONT: DUPLEX UNIT	44 - 10
M1604624	GROUND PLATE: FRONT: DUPLEX UNIT	44 - 11
M1604625	LINK: FRAME: DUPLEX UNIT	44 - 12
M1604626	LINK: FRONT: DUPLEX UNIT	44 - 13
M1604627	DAMPER: FRONT: DUPLEX UNIT	44 - 14
M1604631	SHAFT: FRONT: DUPLEX UNIT	44 - 15
M1604633	COMPRESSION SPRING: HOOK: DUPLEX UNIT	44 - 16
M1604635	DECAL: HANDLE: DUPLEX UNIT	44 - 17
M1604641	GUIDE: REAR: DUPLEX UNIT	44 - 18
M1604643	BUSHING: DIA6	44 - 19
M1604644	SHAFT: REAR: ASS' Y	44 - 20
M1604645	RUBBER BUSHING: SHAFT: REAR	44 - 21

Part No.	Description	Page and Index No.
M1604661	GUIDE:MIDDLE:DUPLEX UNIT	44 - 23
M1604662	GEAR:DRIVE:DUPLEX UNIT	44 - 24
M1604663	GEAR:IDLER:DUPLEX UNIT	44 - 25
M1604664	PULLEY:DRIVE:DUPLEX UNIT	44 - 26
M1604666	GROUND PLATE:MIDDLE:DUPLEX UNIT	44 - 27
M1604667	PULLEY:GEAR:DUPLEX UNIT	44 - 28
M1604668	PULLEY:NO. 2:DUPLEX UNIT	44 - 29
M1604671	SHAFT:MIDDLE:DUPLEX UNIT	44 - 30
M1604672	SYNCHRONOUS BELT:FRONT:DUPLEX UNIT	44 - 31
M1604673	SYNCHRONOUS BELT:FUSING:DUPLEX UNIT	44 - 32
M1604674	SYNCHRONOUS BELT:REAR:DUPLEX UNIT	44 - 6
M1605120	PCB:SENSOR:TONER END SENSOR	50 - 7
M1605500	BRACKET:POWER SUPPLY UNIT	50 - 9
M1605501	COVER:FRONT:POWER SUPPLY UNIT	50 - 10
M1605502	COVER:MIDDLE REAR:POWER SUPPLY UNIT	2 - 20
M1605506	BRACKET:POWER PACK	50 - 16
M1605508	COIL SPRING:TERMINAL:POWER PACK	50 - 8
M1605515	GROUND PLATE:POWER PACK	50 - 11
M1606250	TRANSFER ROLLER:ASS' Y	36 - 14
M1606250	TRANSFER ROLLER:ASS' Y	40 - 27
M1711037	BRACKET:DUCT:SUB:FAN:MAIN	52 - 1
M1711038	DUCT:SUB:FAN:LOWER	52 - 22
M1711039	DUCT:SUB:FAN:UPPER	52 - 23
M1711079	DUCT:PCDU:P1A	52 - 19
M1711106	GEAR:PAPER FEED:NO. 1:P1A	46 - 3
M1711107	GEAR:DUPLEX:NO. 1:P1A	46 - 4
M1711108	DC BRUSHLESS MOTOR:MAIN:P1A	46 - 5
M1711111	BRACKET:MAIN:P1A:ASS' Y	46 - 6
M1711121	GEAR:DRUM:NO. 2:P1A	46 - 7
M1711122	JOINT:DRUM:P1A	46 - 8

Part No.	Description	Page and Index No.
M1711132	GEAR:EXIT	46 - 25
M1711191	DC FAN MOTOR:80X15:P1A	52 - 17
M1712550	PAPER TRAY:REAR:250 SHEET FEED UNIT:ASS' Y	30 - 1
M1712560	END FENCE:250 SHEET FEED UNIT:ASS' Y	30 - 2
M1712581	BRACKET:SENSOR:PAPER SIZE SENSOR:250 SHEET FEED UNIT	32 - 16
M1712600	PAPER TRAY:FRONT:250 SHEET FEED UNIT:SUB-ASS' Y	30 - 7
M1712602	SHEET:HOLDER:250 SHEET FEED UNIT:FRONT	30 - 9
M1712605	GUIDE:PAPER TRAY:250 SHEET FEED UNIT:FRONT	30 - 10
M1712606	INDICATOR:PAPER VOLUME SENSOR:PAPER TRAY:250 SHEET FEED UNIT	30 - 11
M1712607	SEAL:TRAY:REAR:DOM:250 SHEET FEED UNIT	30 - 30
M1712608	SEAL:TRAY:REAR:NA:250 SHEET FEED UNIT	30 - 30
M1712627	TENSION SPRING:TRAY BOTTOM PLATE:250 SHEET FEED UNIT	30 - 16
M1712640	SIDE FENCE:RIGHT:250 SHEET FEED UNIT:ASS' Y	30 - 17
M1712660	SIDE FENCE:LEFT:250 SHEET FEED UNIT:ASS' Y	30 - 20
M1712666	SHEET:SPONGE:SIDE FENCE:250 SHEET FEED UNIT	30 - 3
M1712691	COVER:TRAY:250 SHEET FEED UNIT:FRONT	30 - 27
M1712791	COVER:EXTENSION TRAY:INNER:P1A	26 - 6
M1712792	COVER:EXTENSION TRAY:2:P1A	26 - 7
M1714017	FUSING UNIT:NA:30PPM	38 - 1
M1714028	FUSING UNIT:EU:30PPM	38 - 1
M1714061	GUIDE:DUPLEX:FUSING:P1A	40 - 8
M1714062	GATE PLATE:FUSING:P1A	40 - 25
M1714063	TORSION SPRING:GATE PLATE:FUSING:P1A	40 - 26
M1714421	ROLLER:IDLER:EXIT:P1A:ASS' Y	42 - 3
M1714453	COVER:UPPER:EXIT:P1A	42 - 5
M1714459	COIL SPRING:ROLLER:EXIT:P1A	42 - 4
M1714460	DC SOLENOID:REVERSE	42 - 22
M1714462	BRACKET:DC SOLENOID:REVERSE	42 - 23
M1714463	COIL SPRING:DC SOLENOID:REVERSE	42 - 24
M1714469	DAMPER:DC SOLENOID:REVERSE	42 - 25

Part No.	Description	Page and Index No.
M1714470	SHAFT:ROLLER:EXIT:P1A	42 - 10
M1714471	GEAR:ROLLER:EXIT	42 - 11
M1714472	GROUND PLATE:ROLLER:EXIT:P1A	42 - 21
M1714475	LEVER:SHIFT:EXIT	42 - 26
M1714476	GEAR:INPUT:EXIT	42 - 27
M1714477	GEAR:SHIFT:GAP:EXIT	42 - 28
M1714478	GEAR:SHIFT:EXIT	42 - 29
M1714480	GUIDE:UPPER:EXIT:P1A	42 - 12
M1714485	FEELER:OVERFLOW:EXHAUST SENSOR:P1A	42 - 15
M1714486	FEELER:EXIT:P1A	42 - 7
M1714487	COIL SPRING:FEELER:EXIT:P1A	42 - 8
M1714488	ANTISTATIC BRUSH:EXIT:P1A	42 - 16
M1714490	COVER:REAR:P1A	42 - 13
M1714490	COVER:REAR:P1A	42 - 32
M1714491	GUIDE:REAR:EXIT:P1A	42 - 17
M1714493	LEVER:DOOR:EXIT:P1A	42 - 18
M1715518	BRACKET:BCU:LEFT MIDDLE	50 - 17
M1715519	BRACKET:BCU:LEFT LOWER	50 - 18
M1721210	COVER:LEFT:MF1AB:ASS'Y	2 - 2
M1721221	COVER:RIGHT:MF1AB	2 - 3
M1721222	COVER:BUTTON:DOOR:MF1AB	2 - 4
M1721223	COIL SPRING:BUTTON:DOOR:MF1AB	2 - 5
M1721230	COVER:UPPER:MF1AB:ASS'Y	2 - 1
M1721401	OPERATION SUB-UNIT:GIMLET-MF1A:NA:ASS'Y	4 - 1
M1721402	OPERATION SUB-UNIT:GIMLET-MF1A:EU:ASS'Y	4 - 1
M1721404	OPERATION SUB-UNIT:GIMLET-MF1A:CHN:ASS'Y	4 - 1
M1721451	COVER:UPPER:OPERATION SUB-UNIT	4 - 3
M1721452	COVER:LOWER:OPERATION SUB-UNIT	4 - 4
M1721453	EXCHANGE PLATE	4 - 5
M1721456	LENS	4 - 6

Part No.	Description	Page and Index No.
M1721457	BALANCER:EXCHANGE PLATE	4 - 7
M1721458	MAGNETIC:DOOR	4 - 8
M1721459	PIN:EXCHANGE PLATE	4 - 9
M1721460	KEYTOP:10KEY:A	4 - 10
M1721461	KEYTOP:10KEY:B	4 - 11
M1721462	KEYTOP:START	4 - 12
M1721463	KEYTOP:MIDDLE LOWER	4 - 13
M1721464	KEYTOP:APPLICATION	4 - 14
M1721465	KEYTOP:FUNCTION	4 - 15
M1721466	KEYTOP:DIAL	4 - 16
M1721467	SHEET:DIAL:COVER	4 - 17
M1721468	SHEET:DIAL:SHIFT	4 - 18
M1721469	SHEET:DIAL:COVER:CHN	4 - 17
M1721472	SHEET:OPERATION SUB-UNIT:GIMLET-MF1A:NA	4 - 19
M1721473	SHEET:OPERATION SUB-UNIT:GIMLET-MF1A:EU	4 - 19
M1721474	SHEET:OPERATION SUB-UNIT:GIMLET-MF1A:CHN	4 - 19
M1721478	KEYTOP:10KEY:A:NA	4 - 10
M1721479	KEYTOP:10KEY:B:NA	4 - 11
M1721480	PCB:GIMLET-MF1A:OPU:MAIN	4 - 2
M1722700	DOOR:FRONT:INNER:ASS'Y	26 - 5
M1722799	DECAL:PICK-UP PAPER JAM	26 - 19
M1725010	PCB:BCU:GK-MF1:ASS'Y	50 - 2
M1725041	PCB:FAX:KIBO:NA:ASS'Y	50 - 13
M1725042	PCB:FAX:KIBO:EU:ASS'Y	50 - 13
M1725510	C/T BOX:MF1AB	50 - 14
M1725516	PANEL:C/T BOX:MF1AB:ASS'Y	50 - 15
M1725706	PCB:CTL:KIBO:GIM-MF1AB:ASSY	50 - 12
M1726641	DECAL:MODEL NAME PLATE:SP_3600SF	2 - 14
M1730070	OPTICAL READING SECTION	22 - 1
M1730360	DECAL:MISFEED REMOVAL	2 - 7

Part No.	Description	Page and Index No.
M1730361	DECAL:ORIGINAL:SET:CAUTION:NA	2 - 8
M1730363	DECAL:ORIGINAL:SET:CAUTION:CHN	2 - 8
M1731660	LID:ASS'Y	6 - 1
M1731661	ROLLER:OPPOSED	14 - 1
M1731662	COVER:LID	18 - 3
M1731663	HINGE:RIGHT:UPPER	18 - 4
M1731664	HINGE:RIGHT:LOWER	18 - 5
M1731665	COVER:PAPER STOPPER	18 - 6
M1731666	BRACKET:FEED	18 - 7
M1731667	SHAFT:ROLLER:OPPOSED	10 - 4
M1731667	SHAFT:ROLLER:OPPOSED	14 - 3
M1731667	SHAFT:ROLLER:OPPOSED	18 - 8
M1731668	COIL SPRING:FEED:LOWER	18 - 9
M1731669	COIL SPRING:FRAME GROUND WIRE:FEED	18 - 10
M1731671	SHEET:FEED:L	18 - 11
M1731672	SHEET:FEED:S	18 - 12
M1731673	HINGE:UNIT:LEFT	18 - 13
M1731674	CABLE:SHIELD CASE	18 - 14
M1731675	SCREW:3X10X15BF	6 - 17
M1731675	SCREW:3X10X15BF	18 - 15
M1731676	PAPER EXIT SUB-UNIT:ASS'Y (SP3600SF)	6 - 2
M1731677	FRAME:EXIT	14 - 2
M1731678	COIL SPRING:EXIT	14 - 4
M1731679	SHEET:PRESSURE PLATE:BEHIND	14 - 5
M1731680	SPONGE:EXIT	14 - 6
M1731681	ROLLER:OPPOSED:ASS'Y	10 - 1
M1731682	ROLLER:OPPOSED:RUBBER	18 - 1
M1731683	ROLLER:OPPOSED:SHAFT	18 - 2
M1731704	RETAINING RINGS-E	8 - 32
M1731704	RETAINING RINGS-E	16 - 20

Part No.	Description	Page and Index No.
M1731704	RETAINING RINGS-E	20 - 12
M1731711	PHOTOINTERRUPTOR	6 - 12
M1731711	PHOTOINTERRUPTOR	8 - 21
M1731721	MODULE:CONTACT IMAGE SENSOR	8 - 25
M1731729	SCREW:P-TITE:3X8	6 - 15
M1731729	SCREW:P-TITE:3X8	8 - 30
M1731731	ROLLER:MAIN:ASS'Y	20 - 1
M1731734	ROLLER:PICKUP:ASS'Y	20 - 2
M1731737	GEAR:MAIN:29	20 - 3
M1731738	HOLDER:PICKUP	20 - 5
M1731739	BUSHING:LEVER:MAIN	20 - 4
M1731740	GEAR:27 (SP3600SF)	20 - 7
M1731741	GEAR:29 (SP3600SF)	20 - 8
M1731742	SHAFT:MAIN	20 - 9
M1731743	COIL SPRING:PICKUP	20 - 10
M1731744	MECHANICAL ROLLER CLUTCH	20 - 11
M1731745	SHEET:BLOCK LIGHT:CIS:2 (SP3610SF)	8 - 19
M1731747	CUSHION:CIS (SP3610SF)	8 - 20
M1731748	CABLE:SENSOR:DUPLX (SP3610SF)	8 - 23
M1731754	COIL SPRING:ELECTROMAGNETIC CLUTCH (SP3610SF)	16 - 11
M1731755	ELECTROMAGNETIC CLUTCH:DOCUMENT FEEDER (SP3610SF)	16 - 13
M1731756	DRIVE SUB-UNIT:DOCUMENT FEEDER:DUPLX:ASS'Y (SP3610SF)	6 - 4
M1731757	CABLE:MOTOR:DUPLX (SP3610SF)	16 - 15
M1731758	HOLDER:PICKUP:ONE SIDE:ASS'Y (SP3610SF)	6 - 5
M1731760	COVER:PAPER FEED:ASS'Y	6 - 6
M1731761	FEELER:ORIGINAL SENSOR	10 - 2
M1731762	COVER:PAPER FEED	10 - 3
M1731763	COIL SPRING:FEED:UPPER	10 - 5
M1731764	SPONGE:CUSHION:PAPER FEED	10 - 6
M1731764	SPONGE:CUSHION:PAPER FEED	12 - 6

Part No.	Description	Page and Index No.
M1731765	SPONGE:CLEANER	10 - 7
M1731766	ORIGINAL TABLE:ASS'Y	6 - 7
M1731767	GEAR:PINION:22	12 - 1
M1731768	SIDE FENCE:FRONT	12 - 2
M1731769	SIDE FENCE:REAR	12 - 3
M1731770	ORIGINAL TABLE	12 - 4
M1731771	SHEET:BRAKE	12 - 5
M1731772	FRAME:LOCK:REAR	6 - 8
M1731773	COVER:REAR	6 - 9
M1731774	COVER:FRONT	6 - 10
M1731775	SHEET:WHITE:DOCUMENT FEEDER	6 - 11
M1731777	GEAR:27:29 (SP3610SF)	20 - 6
M1731778	HOLDER:PICKUP:ASS'Y (SP3600SF)	6 - 5
M1731779	LOCK	10 - 8
M1731781	BASE:DUPLX:ASS'Y (SP3610SF)	6 - 4
M1731786	FEELER:FEED (SP3610SF)	8 - 3
M1731789	TAPE:FCC:DOCUMENT FEEDER (SP3610SF)	8 - 18
M1731790	DECAL:CLEANING:EXPOSURE GLASS:CHN	2 - 13
M1731791	DECAL:CLEANING:DOCUMENT FEEDER	2 - 9
M1731792	DECAL:SCALE:LEFT:NA	2 - 10
M1731793	DECAL:SCALE:LEFT:DOM/EU	2 - 10
M1731794	DECAL:SCALE:INNER BACK	2 - 11
M1731796	DECAL:CAUTION:ORIGINAL:NA/EU	2 - 12
M1731797	DECAL:CAUTION:ORIGINAL:CHN	2 - 12
M1731799	DECAL:CLEANING:EXPOSURE GLASS:NA/EU	2 - 13
M1731800	BASE:ONE SIDE:ASS'Y (SP3600SF)	6 - 3
M1731801	BASE:LOWER:ONE SIDE:ASS'Y (SP3600SF)	8 - 1
M1731802	BASE:LOWER:DUPLX:ASS'Y (SP3610SF)	8 - 1
M1731804	COIL SPRING:SENSOR	8 - 16
M1731807	ROLLER:RUBBER:SEPARATION	8 - 2

Part No.	Description	Page and Index No.
M1731808	TORQUE LIMITER MECHANICAL CLUTCH:SEPARATION	8 - 29
M1731809	PLAIN SHAFT BEARING:SEPARATION	8 - 3
M1731810	GEAR:FEED:30	8 - 5
M1731811	GEAR:EXIT:25	8 - 6
M1731812	GEAR:BUSHING:ROLLER	8 - 7
M1731813	GEAR:SEPARATION:22	8 - 8
M1731814	FRAME:BASE:UPPER	8 - 9
M1731815	COVER:SEPARATION	8 - 10
M1731816	PLAIN SHAFT BEARING:GEAR:SEPARATION	8 - 11
M1731817	GEAR:MECHANICAL ROLLER CLUTCH:FEED	8 - 12
M1731818	ROLLER:FEED	8 - 13
M1731819	ROLLER:EXIT	8 - 14
M1731820	COIL SPRING:SEPARATION	8 - 15
M1731821	COIL SPRING:MECHANICAL ROLLER CLUTCH:FEED	8 - 17
M1731823	DISCHARGE BRUSH	8 - 22
M1731824	CABLE:SENSOR:ONE SIDE (SP3600SF)	8 - 23
M1731825	SCREW:2	8 - 31
M1731826	DRIVE SUB-UNIT:DOCUMENT FEEDER:ASS'Y (SP3600SF)	6 - 4
M1731827	GEAR:66:20	16 - 1
M1731828	GEAR:68:20	16 - 2
M1731829	GEAR:49:24	16 - 3
M1731830	GEAR:47:18	16 - 4
M1731831	GEAR:37 (SP3600SF)	16 - 14
M1731832	GEAR:BUSHING:19	16 - 6
M1731833	GEAR:ELECTROMAGNETIC CLUTCH:35	16 - 7
M1731834	BRACKET:REAR	16 - 8
M1731835	BRACKET:MOTOR	16 - 9
M1731836	SHAFT:ELECTROMAGNETIC CLUTCH	16 - 10
M1731837	DC STEPPER MOTOR:DOCUMENT FEEDER	16 - 12
M1731838	BUSHING:ELECTROMAGNETIC CLUTCH	16 - 5

