

**Digital B&W Copiers**  
**(M156/M157/M176/M177-EU/AA)**  
**Parts Catalog**

# Unit All



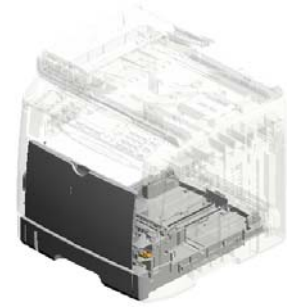
U001  
EXTERIOR



U002  
ADF



U003  
LASER UNIT



U004  
PAPER FEED



U005  
PCU



U006  
TRANSFER/SEPARATION



U007  
FUSING



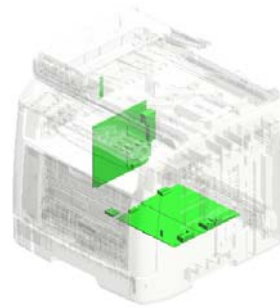
U008  
PAPER EXIT



U009  
DUPLEX



U010  
MAIN DRIVE



U011  
ELECTRICAL

# U001 EXTERIOR

3.AG070514  
MAGNET CATCH

10.M1561240  
EXTENSION TRAY:  
MF:ASSY

13.M1561252  
BUTTON

5.M0172630  
DECAL:PICK-UP P  
APER JAM

12.M1561251  
COVER:FRONT



17.M1561256  
SHAFT:TURN:SCA  
NNER:RIGHT

11.M1561250  
COVER:UPPER:MF  
P

16.M1561255  
COVER:SIDE PLAT  
E:RIGHT:EU

15.M1561254  
SHAFT:TURN:SCA  
NNER:LEFT

1.04503008N  
TAPPING SCREW -  
M3X8

6.M1161370  
COVER:REAR LO  
WER

18.M1561259  
COVER:REAR MID  
DLE:EU

19.M1561272  
COIL SPRING:SCA  
NNER

14.M1561253  
COVER:SIDE PLAT  
E:LEFT:EU

20.M1561392  
GUIDE PLATE:SCA  
NNER:OPEN AND  
CLOSE

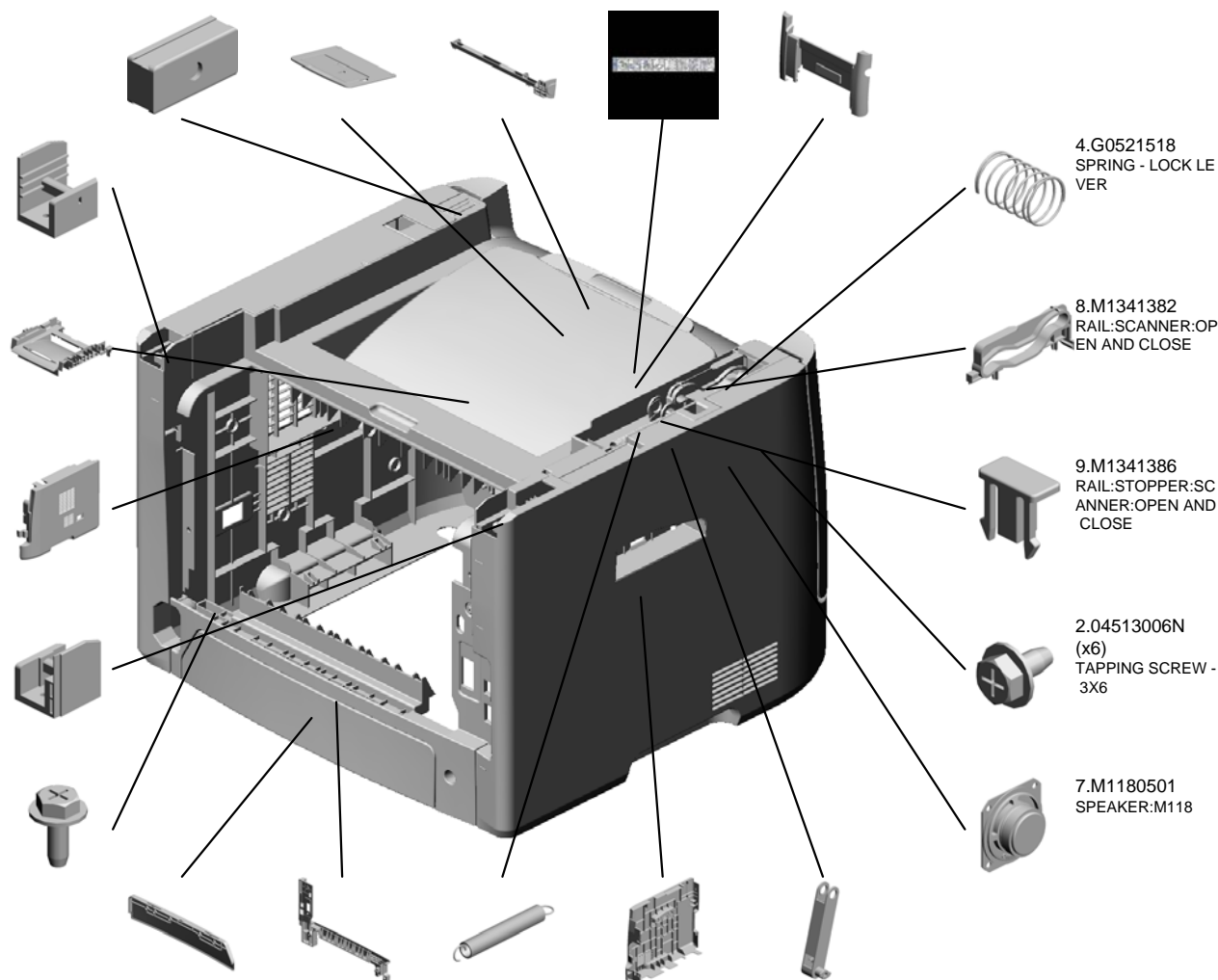
4.G0521518  
SPRING - LOCK LE  
VER

8.M1341382  
RAIL:SCANNER:OP  
EN AND CLOSE

9.M1341386  
RAIL:STOPPER:SC  
ANNER:OPEN AND  
CLOSE

2.04513006N  
(x6)  
TAPPING SCREW -  
3X6

7.M1180501  
SPEAKER:M118



# U002.ADF

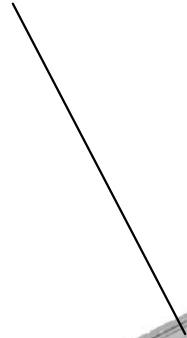
U002\_S001  
M1561630  
ADF:ASS'Y



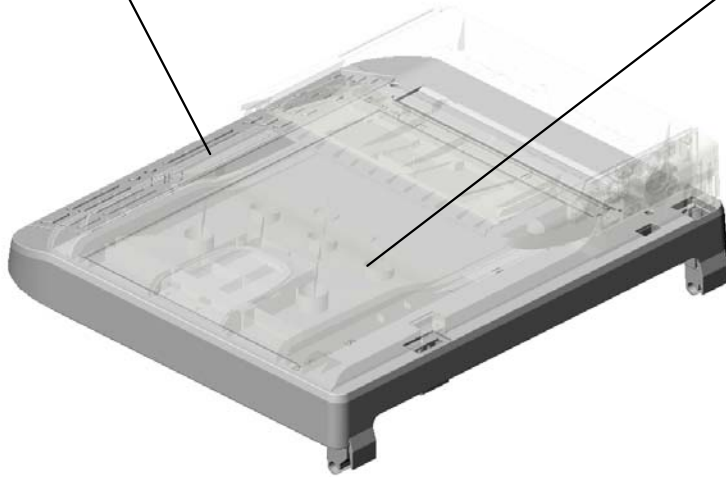
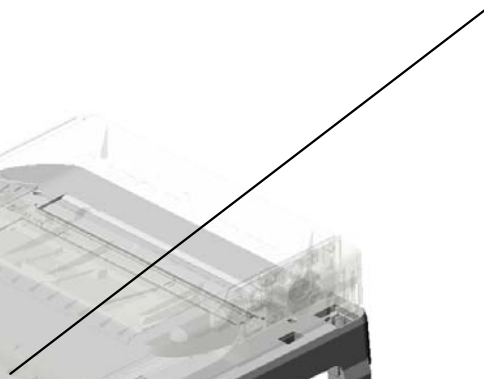
U001	<b>U002</b>	U003	U004	U005	U006	U007	U008	U009	U010	U011
------	-------------	------	------	------	------	------	------	------	------	------

U002  
ADF

1.M1561527  
OPERATION PANN  
EL:ASSY:EU/AP



2.M1561600  
SCANNER:ASSY



U002\_S001  
ADF:ASS'Y

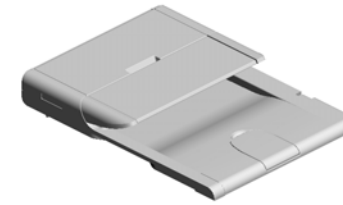
5.M1562822  
FRAME:PICKUP

13.M1562830  
FEED ROLLER

4.M1562821  
COVER:UPPER

14.M1562831  
TRANSPORT ROLLER

15.M1562832  
SHAFT:TRANSPORT ROLLER:UPPER PAPER FEED



3.M1561630  
ADF:ASS'Y

6.M1562823  
PICKUP ROLLER



24.M1562843  
SIDE FENCE:LEFT



9.M1562826  
COIL SPRING:PICKUP



23.M1562842  
SEPARATION PAD:ASS'Y



22.M1562841  
FRAME:ADF



19.M1562836  
COIL SPRING:FEED ROLLER:UPPER



20.M1562837  
COIL SPRING:PAWL



8.M1562825  
GEAR:22T



7.M1562824  
(x2)  
ARM:STOPPER



16.M1562833  
ARM:ORIGINAL SENSOR



12.M1562829  
PAWL:PICKUP



11.M1562828  
GEAR:28T



10.M1562827  
PAWL:MECHANICAL SPRING CLUTCH



17.M1562834  
SHAFT:PICKUP



18.M1562835  
GEAR:28T



No Assembled Image  
21.M1562838  
(x2)  
ORIGINAL SENSOR

No Assembled Image  
66.M1562899  
(x2)  
SHEET:OUTLET

U002\_S001  
ADF:ASS'Y

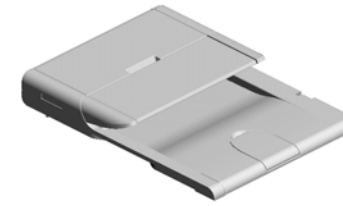
38.M1562858  
PLAIN SHAFT BEA  
RING:RIGHT:EXIT  
ROLLER

43.M1562863  
FRAME:LOWER

35.M1562855  
(x2)  
REGISTRATION SE  
NSOR

42.M1562862  
ARM:REGISTRATI  
ON SENSOR

41.M1562861  
REGISTRATION R  
OLLER:ASS'Y



3.M1561630  
ADF:ASS'Y

37.M1562857  
PLAIN SHAFT BEA  
RING:LEFT:EXIT R  
OLLER

44.M1562864  
DISCHARGE BRUS  
H

34.M1562854  
GEAR:18T

36.M1562856  
EXIT ROLLER

25.M1562844  
SIDE FENCE:RIGH  
T

39.M1562859  
PLAIN SHAFT BEA  
RING:LEFT:REGIS  
TRATION ROLLER

27.M1562847  
GEAR:21T

28.M1562848  
GEAR:28T

26.M1562845  
GROUND PLATE

29.M1562849  
GEAR:37T

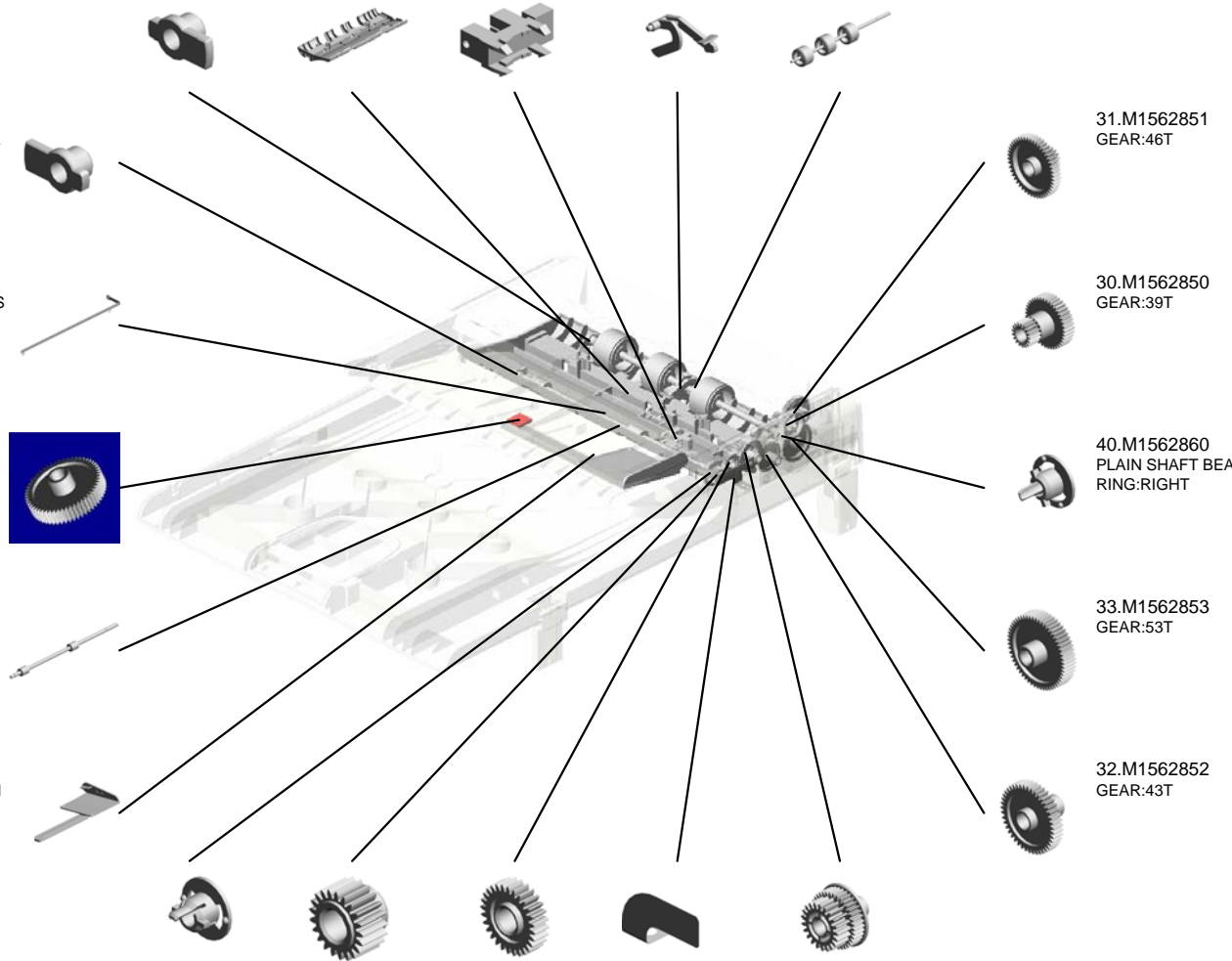
31.M1562851  
GEAR:46T

30.M1562850  
GEAR:39T

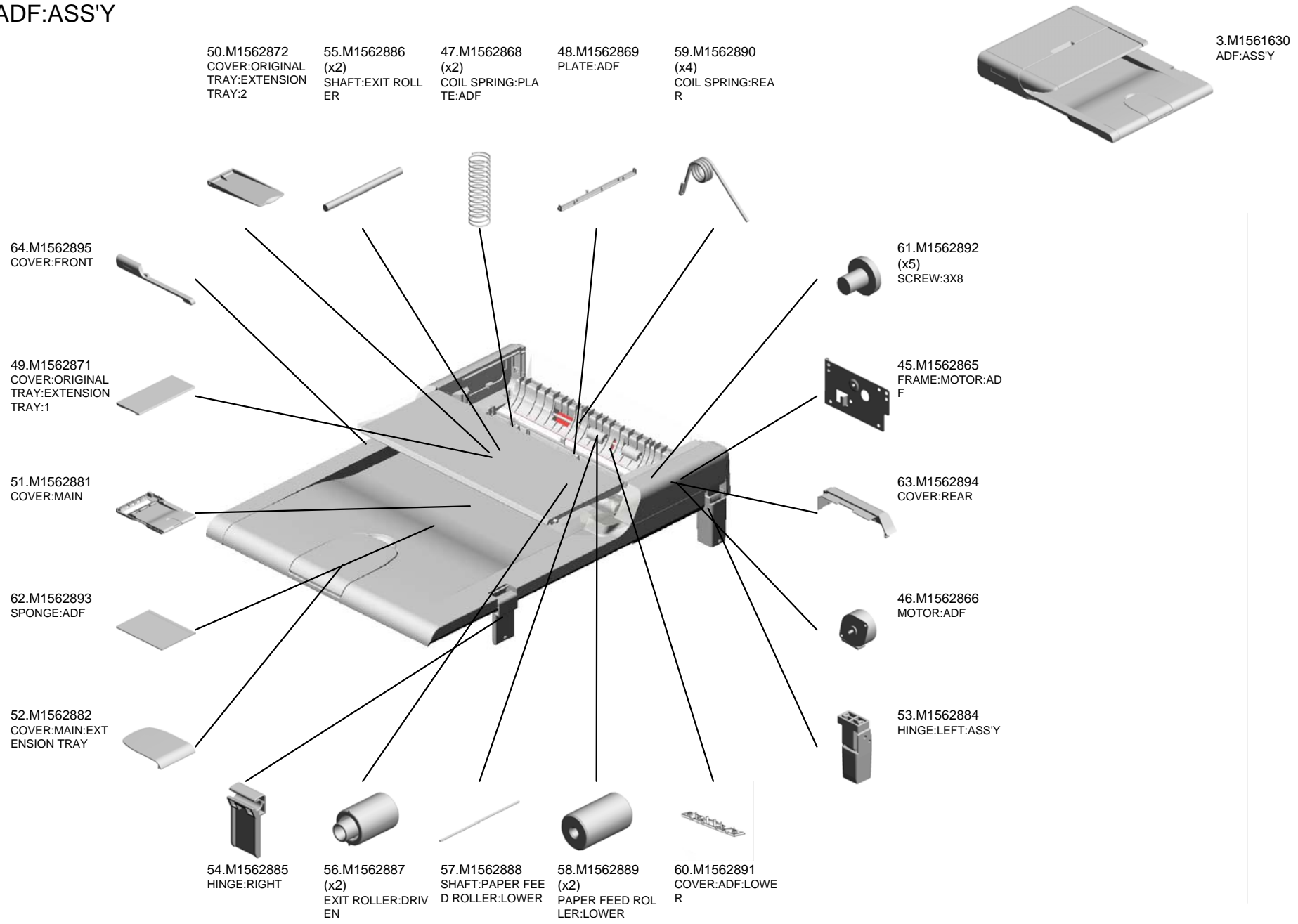
40.M1562860  
PLAIN SHAFT BEA  
RING:RIGHT

33.M1562853  
GEAR:53T

32.M1562852  
GEAR:43T



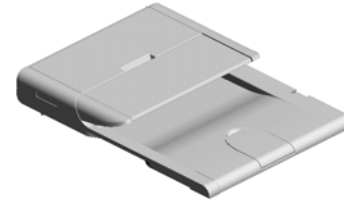
U002\_S001  
ADF:ASS'Y



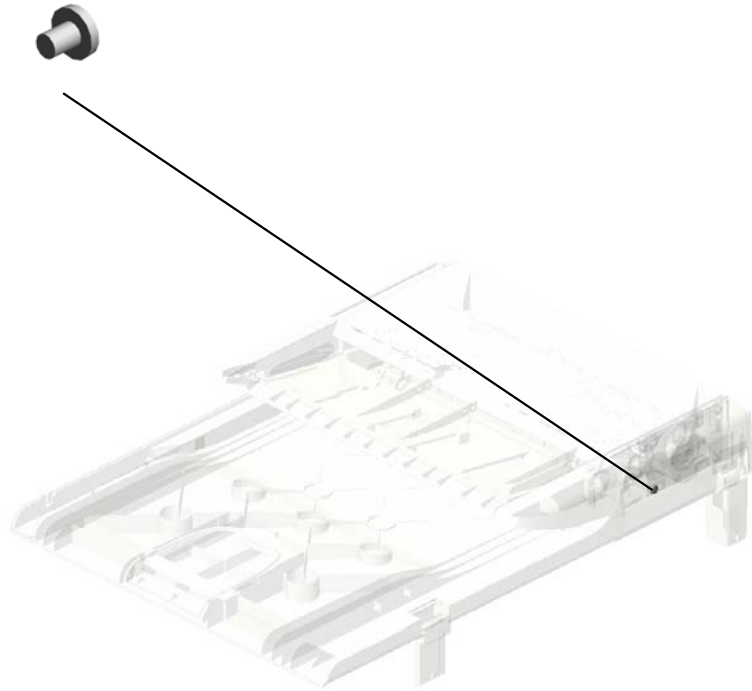


U002\_S001  
ADF:ASS'Y

65.M1562898  
SCREW:3X6



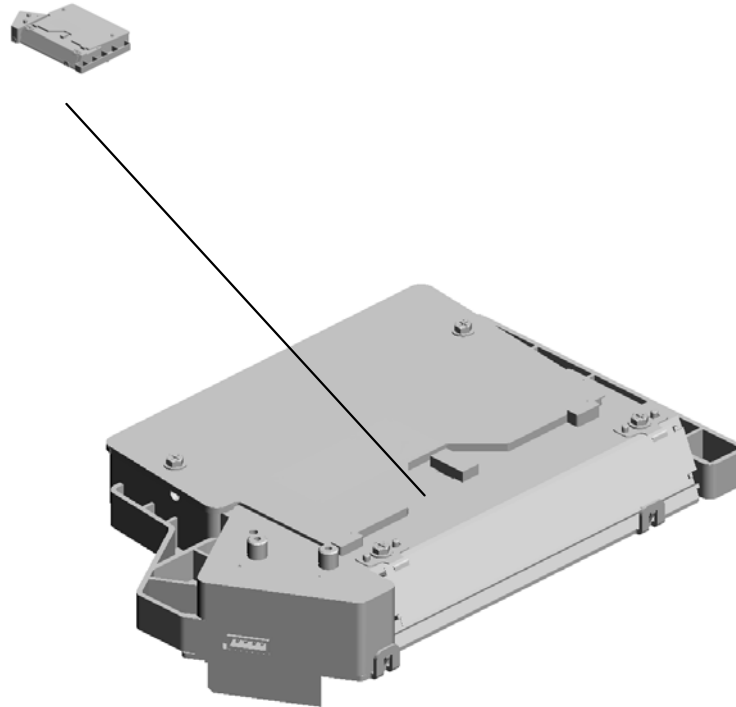
3.M1561630  
ADF:ASS'Y



U001	<b>U002</b>	U003	U004	U005	U006	U007	U008	U009	U010	U011
------	-------------	------	------	------	------	------	------	------	------	------

# U003.LASER UNIT

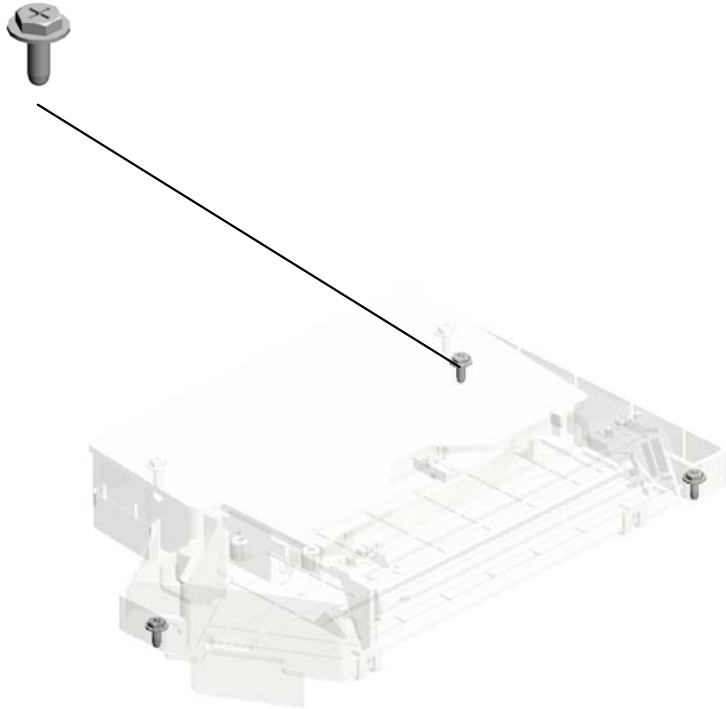
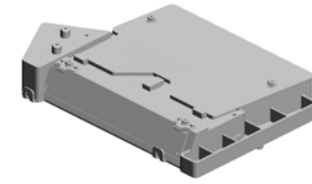
U003\_S001  
M1541851  
IMAGING UNIT:ASS'Y



U001	U002	U003	U004	U005	U006	U007	U008	U009	U010	U011
------	------	------	------	------	------	------	------	------	------	------

U003  
LASER UNIT

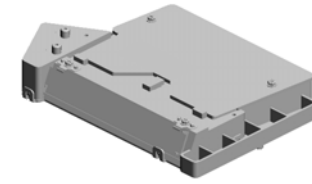
5.04543008Q  
(x3)  
TAPPING SCREW:  
3X8



U001	U002	U003	U004	U005	U006	U007	U008	U009	U010	U011
------	------	------	------	------	------	------	------	------	------	------

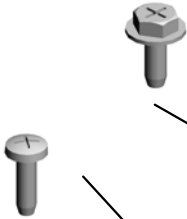
U003\_S001  
IMAGING UNIT:ASS'Y

3.04523008N  
(x4)  
TAPPING SCREW -  
M3X8

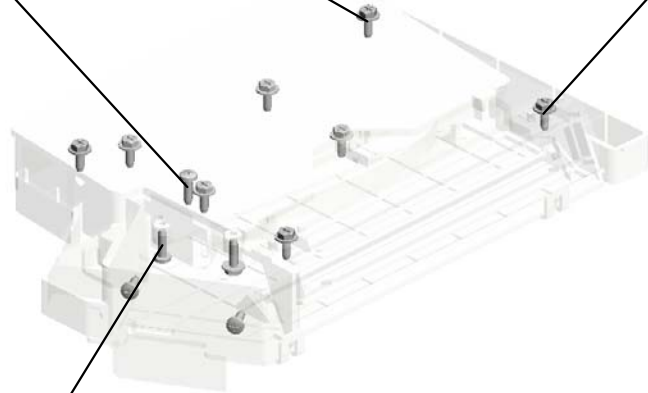


6.M1541851  
IMAGING UNIT:AS  
SY

4.04523010N  
BINDING SELF-TA  
PPING SCREW:3X  
10



1.04503008N  
(x6)  
TAPPING SCREW -  
M3X8



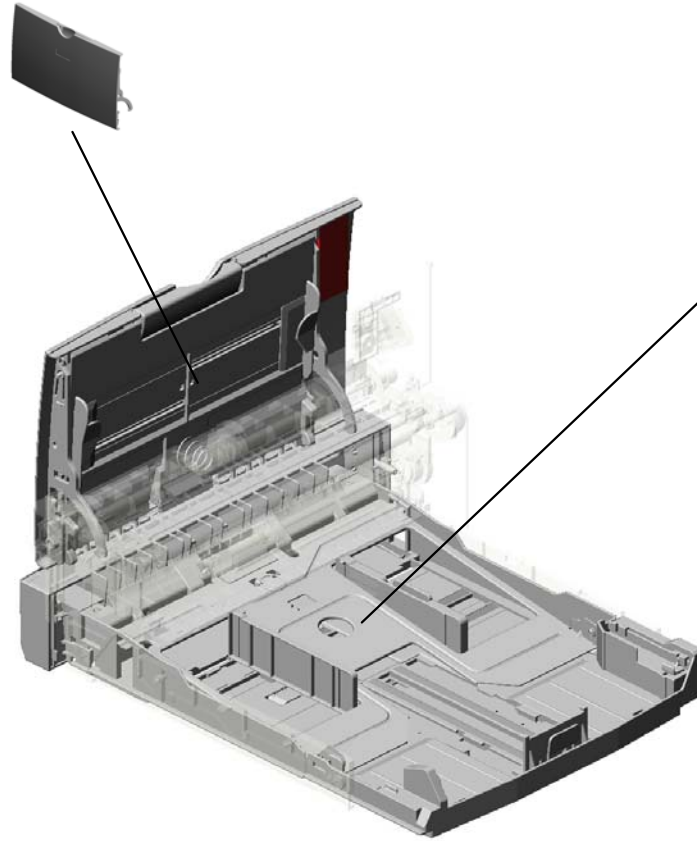
2.04503012N  
(x2)  
TAPPING SCREW:  
3X12



U001	U002	U003	U004	U005	U006	U007	U008	U009	U010	U011
------	------	------	------	------	------	------	------	------	------	------

# U004.PAPER FEED

U004\_S002  
M1542532  
MANUAL FEED TABLE:ASS'Y

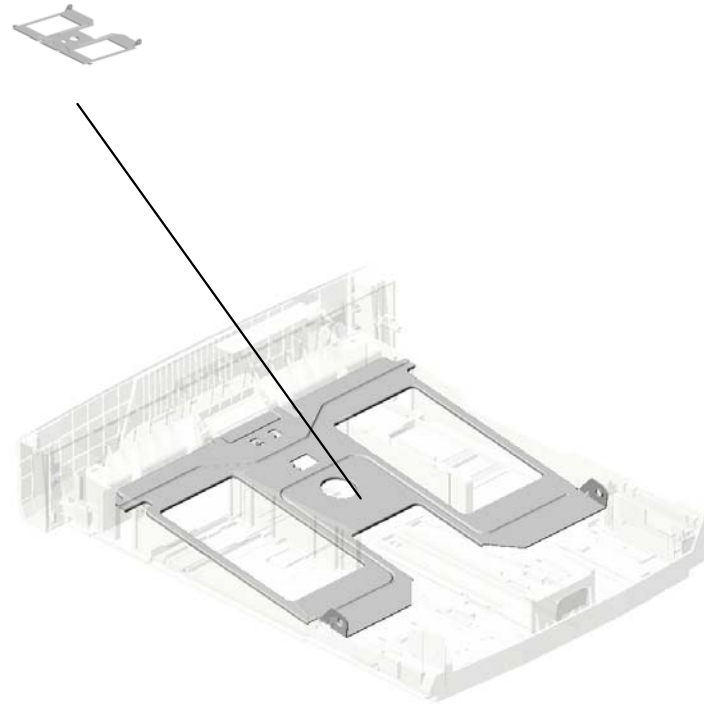


U004\_S001  
M1542504  
PAPER TRAY:ASS'Y

U001	U002	U003	U004	U005	U006	U007	U008	U009	U010	U011
------	------	------	------	------	------	------	------	------	------	------

# U004\_S001.PAPER TRAY:ASS'Y

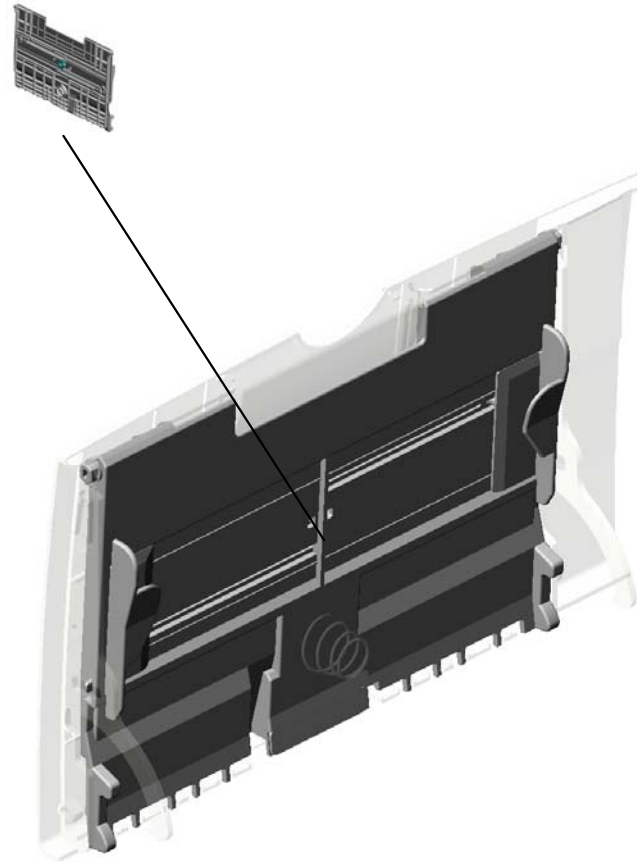
U004\_S001\_S001  
M0122610  
TRAY BOTTOM PLATE



U001	U002	U003	U004	U005	U006	U007	U008	U009	U010	U011
------	------	------	------	------	------	------	------	------	------	------

# U004\_S002.MANUAL FEED TABLE:ASS'Y

U004\_S002\_S001  
M1542868  
MANUAL FEED TABLE:SUB-A  
SS'Y



U001	U002	U003	U004	U005	U006	U007	U008	U009	U010	U011
------	------	------	------	------	------	------	------	------	------	------

# U004 PAPER FEED

10.G0292767  
BY-PASS FEED COVER

33.M0122702  
ROLLER:INTERF  
ACE:DRIVEN

32.M0122701  
ROLLER:INTERF  
ACE:DRIVE

3.04523010N  
BINDING SELF-TA  
PPING SCREW:3X  
10

11.G1022717  
COVER:DC SOLEN  
OID



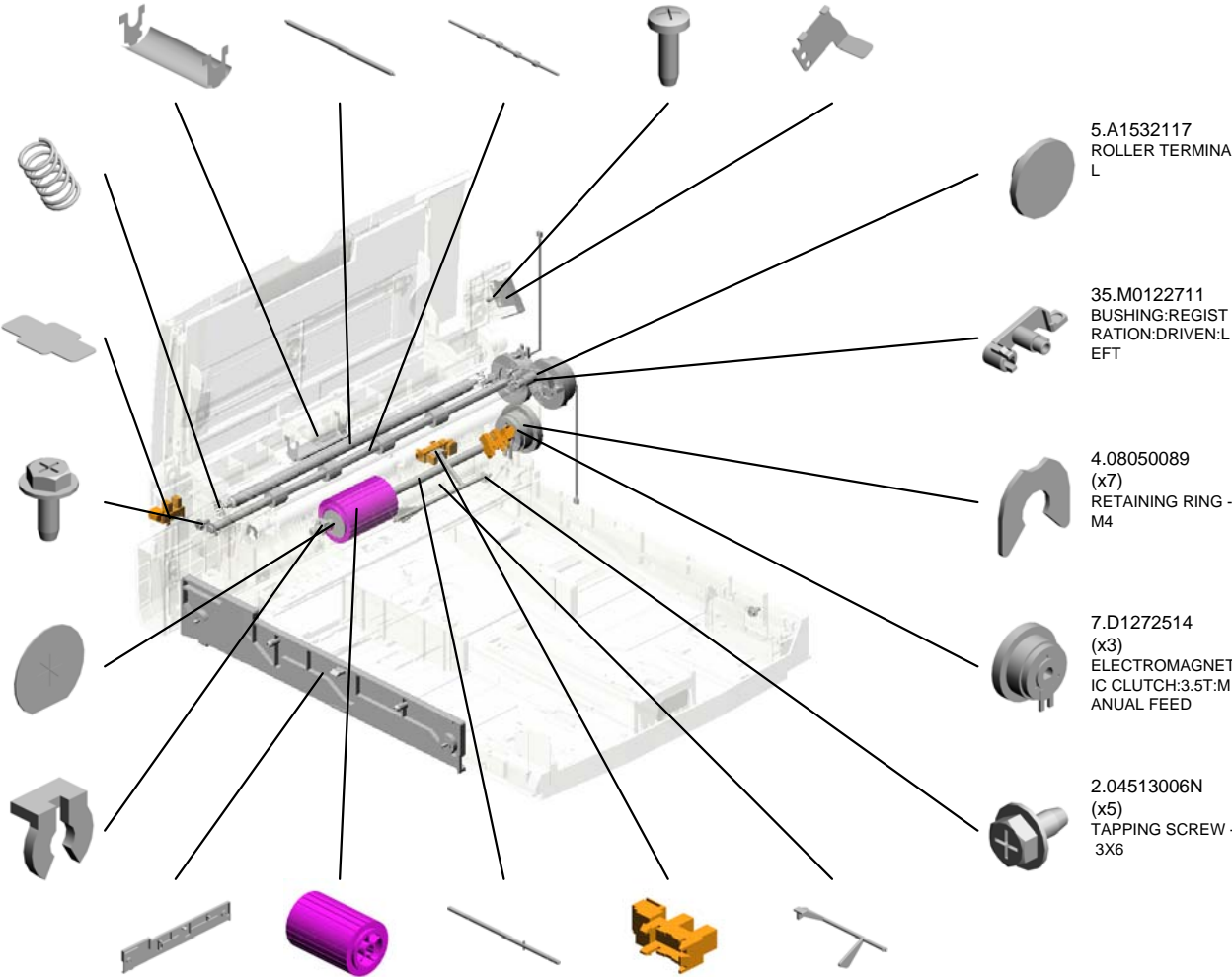
34.M0122705  
(x2)  
SPRING:ROLLER

13.G1022789  
STOPPER:PHOTOI  
NTERRUPTOR

1.04503008N  
(x2)  
TAPPING SCREW -  
M3X8

28.M0122631  
CLOTH:EARTH:PA  
PER FEED

9.G0201160  
(x2)  
SNAP RING



5.A1532117  
ROLLER TERMINA  
L

35.M0122711  
BUSHING:REGIST  
RATION:DRIVEN:L  
EFT

4.08050089  
(x7)  
RETAINING RING -  
M4

7.D1272514  
(x3)  
ELECTROMAGNET  
IC CLUTCH:3.5T:M  
ANUAL FEED

2.04513006N  
(x5)  
TAPPING SCREW -  
3X6

31.M0122673  
RAIL:PAPER TRAY:  
RIGHT

**14.G1272627**  
**PAPER FEED ROLL**  
**ER - MM32**

29.M0122668  
SHAFT:PAPER FEE  
D:ASSY

6.AW020198  
(x3)  
PHOTOINTERRUP  
TOR:LG2A14NL1

30.M0122671  
FEELER:PAPER E  
ND SENSOR



# U004 PAPER FEED

57.M0122880 COMPRESSION SPRING:SEPARATION  
 54.M0122859 GUIDE PLATE:UPPER:MANUAL FEED  
 50.M0122816 FRICTION PAD:HOLDER:MANUAL FEED:ASSY  
 55.M0122860 PAPER FEED ROLLER:MANUAL FEED  
 49.M0122806 SHEET:GUIDE:MANUAL FEED SUB-UNIT



45.M0122743 DECAL:GUIDE PLATE:TRANSPORT:UPPER



51.M0122824 FEELER:MANUAL FEED



47.M0122745 GROUND PLATE:DRIVEN



39.M0122722 (x2) SPRING:ROLLER:REGISTRATION



42.M0122730 BUSHING:REGISTRATION:DRIVEN:RIGHT



36.M0122715 GUIDE PLATE:TRANSPORT:UPPER



38.M0122719 REGISTRATION ROLLER:DRIVEN



37.M0122718 REGISTRATION ROLLER:DRIVE



40.M0122723 FEELER:REGISTRATION:SENSOR



46.M0122744 (x2) GUIDE:REGISTRATION



52.M0122830 MECHANICAL SPRING CLUTCH:MANUAL FEED



44.M0122742 GROUND PLATE:DRIVEN:REGISTRATION ROLLER



48.M0122753 (x2) BUSHING:ROLLER:DRIVEN



43.M0122741 GROUND PLATE:DRIVE:REGISTRATION ROLLER



41.M0122725 SPRING:FEELER:REGISTRATION

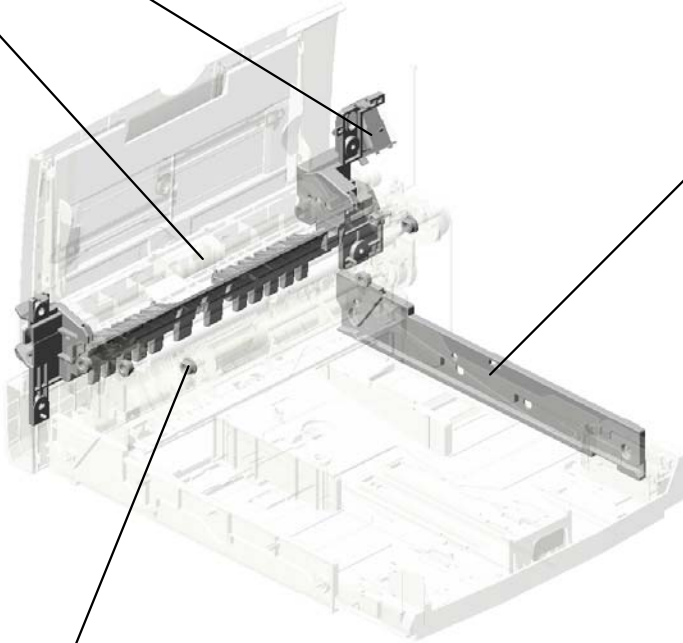


# U004 PAPER FEED

68.M1542831  
DC SOLENOID:9.6  
W:24V



67.M1542805  
GUIDE PLATE:MAN  
UAL FEED:LOWER



60.M1162672  
RAIL:PAPER TRAY:  
LEFT



58.M0124488  
(x6)  
BUSHING:DIA6XDI  
A10X6

U001	U002	U003	<b>U004</b>	U005	U006	U007	U008	U009	U010	U011
------	------	------	-------------	------	------	------	------	------	------	------

U004\_S001  
PAPER TRAY:ASS'Y

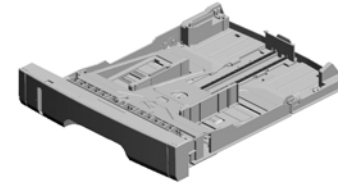
64.M1542629  
COVER:PAPER TR  
AY:MIDDLE

25.M0122613  
COMPRESSION SP  
RING:SEPARATIO  
N

21.M0122605  
FRICTION PAD:AD  
HESION

63.M1542616  
LEVER:PAPER VO  
LUME SENSOR

65.M1542640  
COVER:PAPER TR  
AY:LEFT

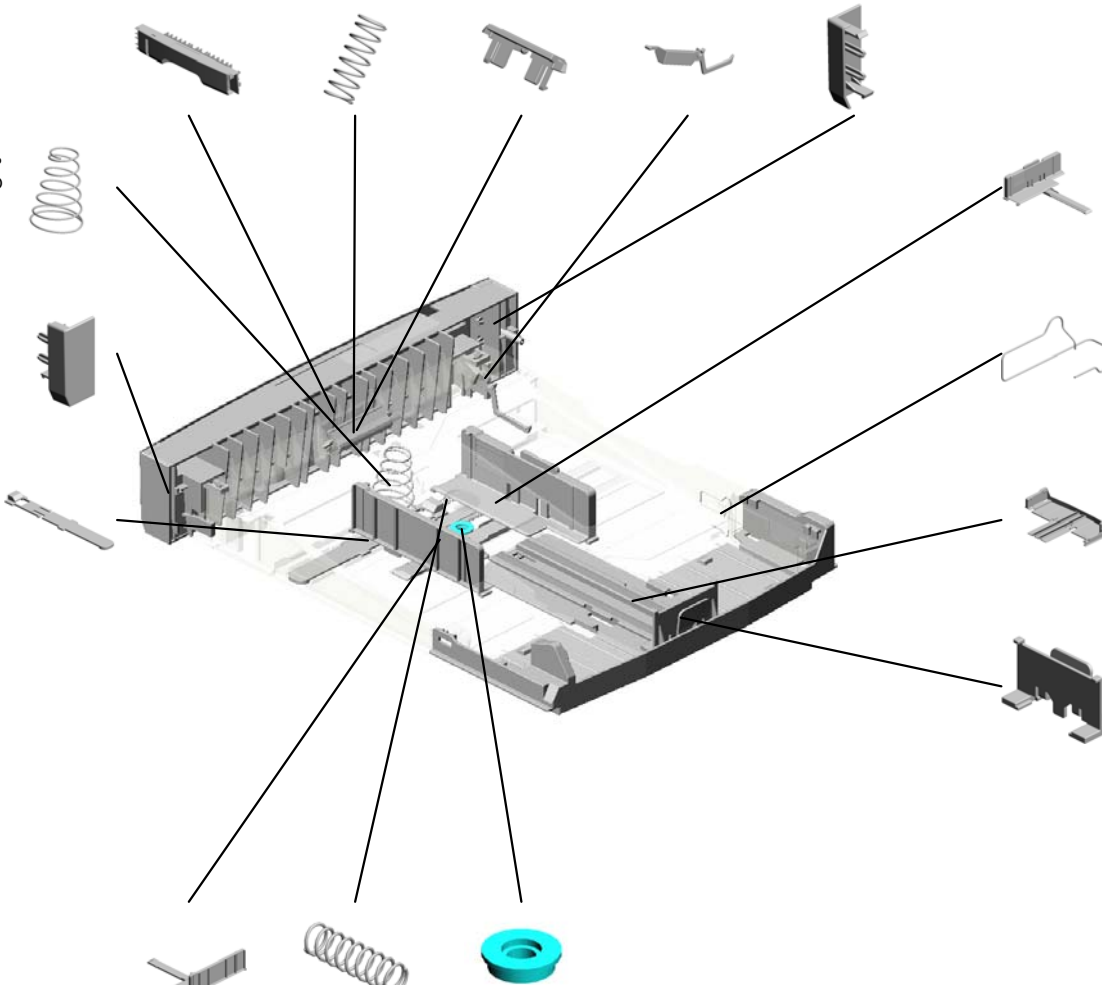


61.M1542504  
PAPER TRAY:ASS'  
Y

24.M0122612  
COMPRESSION SP  
RING:TRAY BOTTO  
M PLATE

66.M1542641  
COVER:PAPER TR  
AY:RIGHT

19.M0122603  
STOPPER:BASE P  
LATE



26.M0122614  
SIDE FENCE:LEFT

18.M0122590  
COIL SPRING:EAR  
TH

17.M0122589  
PAPER TRAY:REA  
R

22.M0122608  
END FENCE

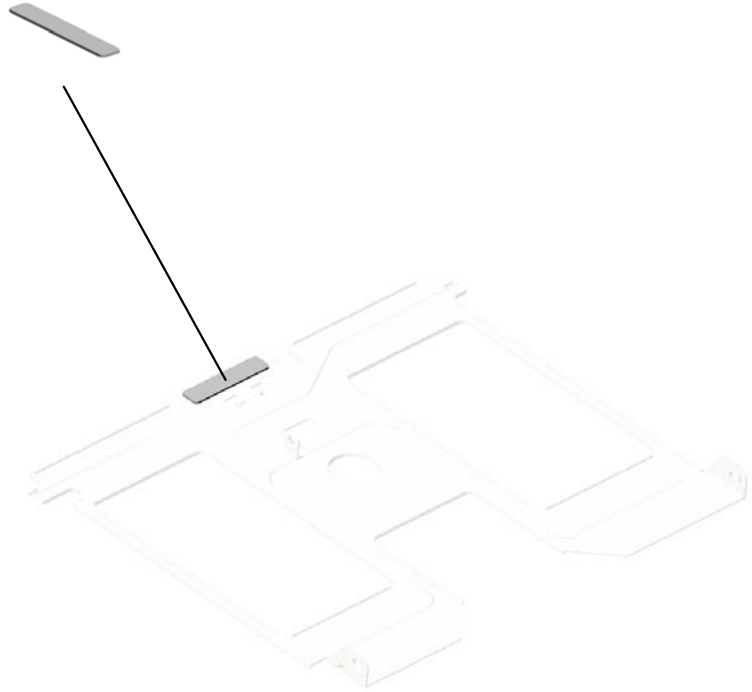
27.M0122615  
SIDE FENCE:RIGH  
T

20.M0122604  
SPRING:RELEASE:  
TRAY BOTTOM PL  
ATE

15.G8003133  
SIDE FENCE GEAR

U004\_S001\_S001  
TRAY BOTTOM PLATE

16.GF013001  
BOTTOM PLATE P  
AD



23.M0122610  
TRAY BOTTOM PL  
ATE

U001	U002	U003	U004	U005	U006	U007	U008	U009	U010	U011
------	------	------	------	------	------	------	------	------	------	------

U004\_S002  
MANUAL FEED TABLE:ASS'Y

73.M1542879  
EXTENSION TRAY:  
MANUAL FEED

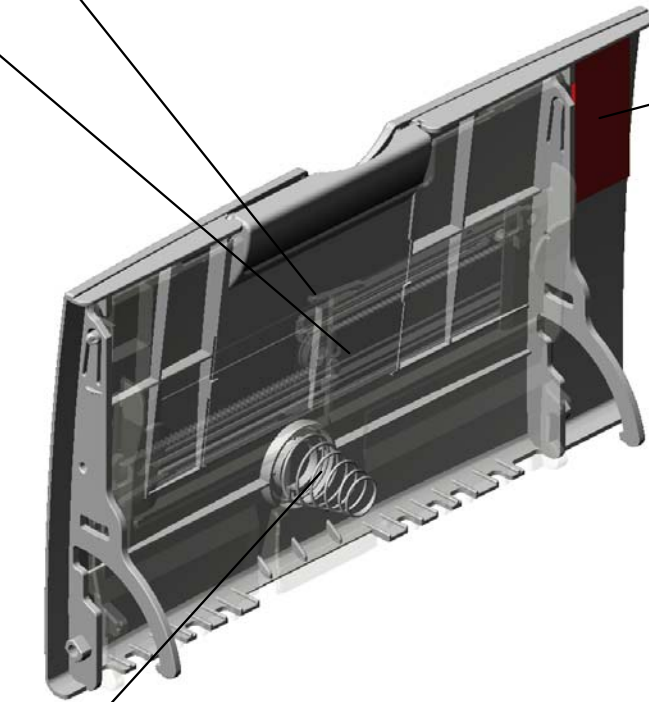


62.M1542532  
MANUAL FEED TA  
BLE:ASS'Y

70.M1542870  
COVER:MANUAL F  
EED TABLE



59.M0162815  
DECAL:FEED PAP  
ER AGAIN:PREVEN  
TION

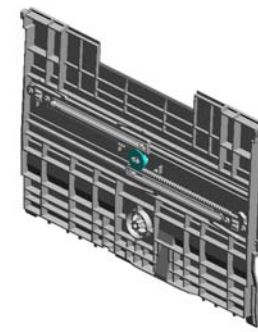


56.M0122874  
COMPRESSION SP  
RING:MANUAL FEE  
D

U001	U002	U003	U004	U005	U006	U007	U008	U009	U010	U011
------	------	------	------	------	------	------	------	------	------	------

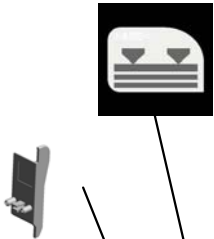
U004\_S002\_S001  
MANUAL FEED TABLE:SUB-ASS'Y

53.M0122833 8.G0123050  
DECAL:SIDE FENC SIDE FENCE GEAR  
E:MANUAL FEED



69.M1542868  
MANUAL FEED TA  
BLE:SUB-ASS'Y

71.M1542875  
SIDE FENCE:MAN  
UAL FEED:RIGHT



72.M1542877  
SIDE FENCE:MAN  
UAL FEED:LEFT



12.G1022755  
(x2)  
RACK:SIDE FENCE  
:REAR



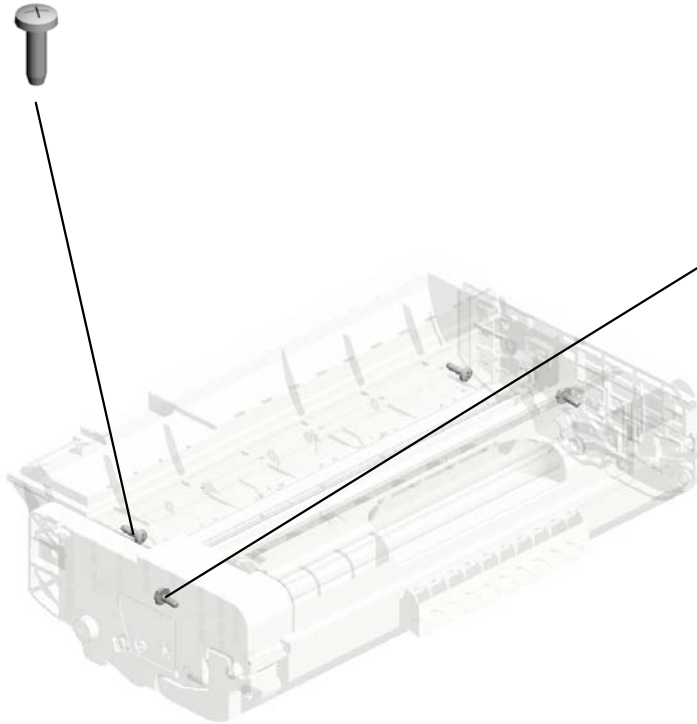
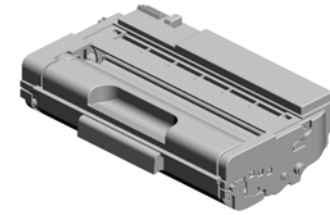
16.GF013001  
BOTTOM PLATE P  
AD



U001	U002	U003	U004	U005	U006	U007	U008	U009	U010	U011
------	------	------	------	------	------	------	------	------	------	------

U005  
PCU

2.04523010N  
(x2)  
BINDING SELF-TA  
PPING SCREW:3X  
10



1.04503008N  
(x2)  
TAPPING SCREW -  
M3X8

U001	U002	U003	U004	U005	U006	U007	U008	U009	U010	U011
------	------	------	------	------	------	------	------	------	------	------

# U006 TRANSFER/SEPARATION

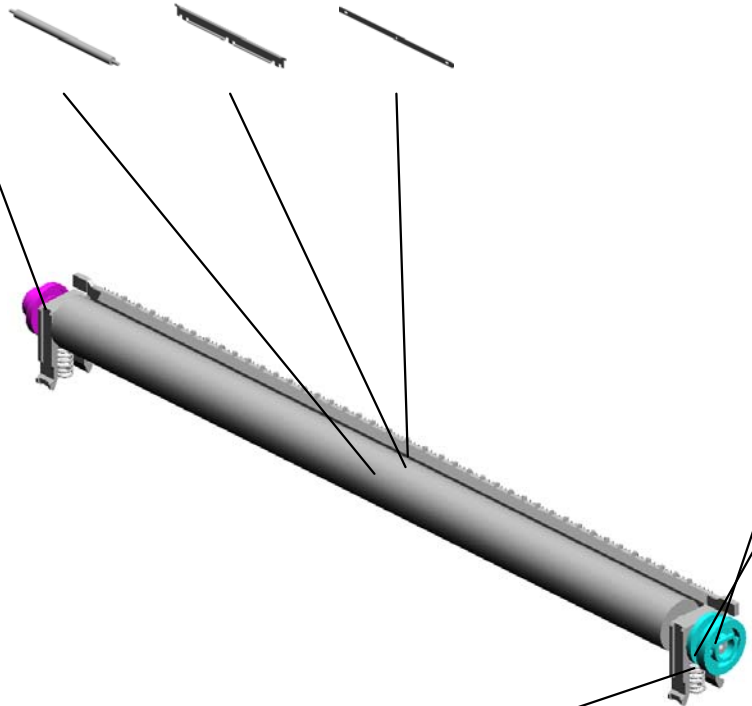
6.M1016250  
TRANSFER ROLLER  
R

5.M0126260  
COVER:ELECTRO  
DE PLATE

7.M1016259  
ELECTRODE PLAT  
E:SEPARATION



4.M0126256  
ROLLER:POSITION  
ING:TRANSFER R  
OLLER



3.M0126255  
GEAR:TRANSFER  
ROLLER



1.M0126252  
(x2)  
BUSHING:TRANSF  
ER ROLLER:RIGHT



2.M0126254  
(x2)  
SPRING:TRANSFE  
R ROLLER

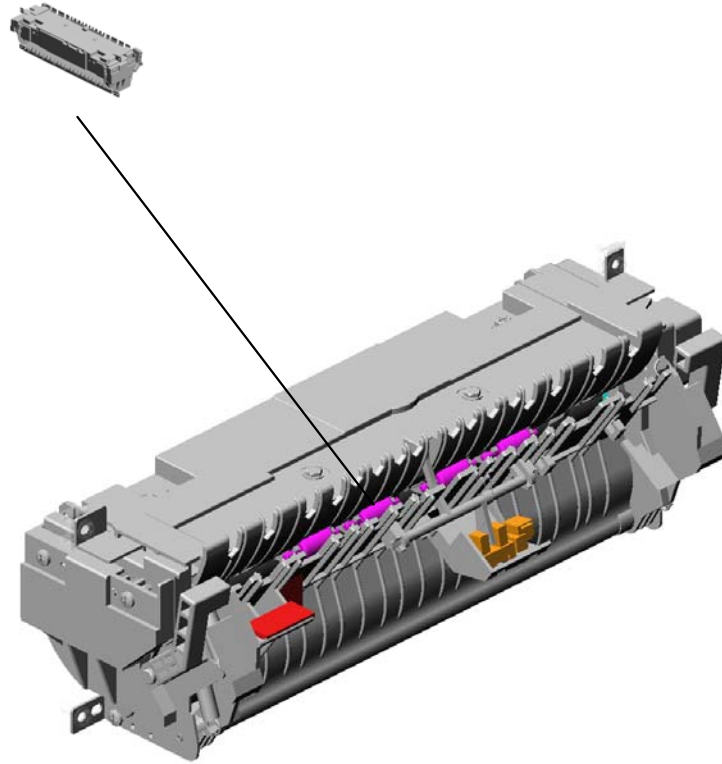


U001	U002	U003	U004	U005	U006	U007	U008	U009	U010	U011
------	------	------	------	------	------	------	------	------	------	------



# U007.FUSING

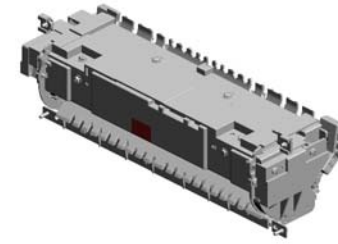
U007\_S001  
M1164031  
FUSING UNIT:220V:ASS'Y



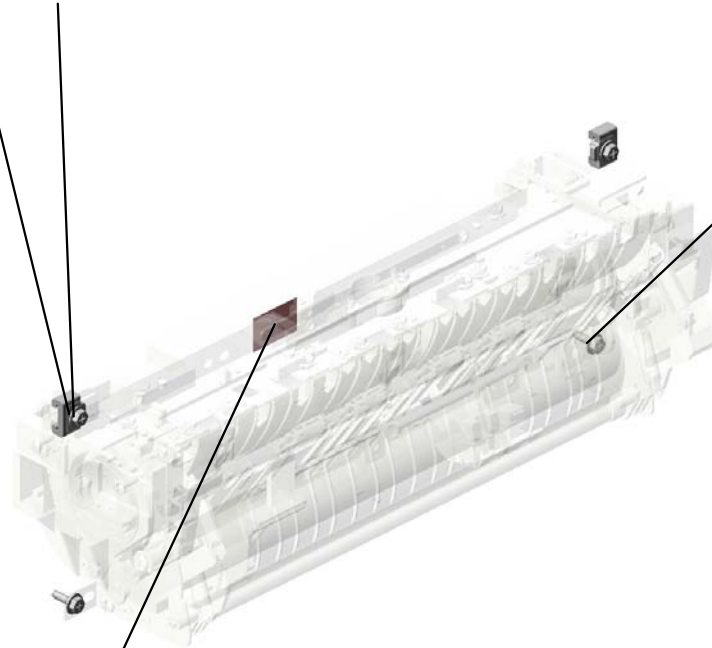
U001	U002	U003	U004	U005	U006	U007	U008	U009	U010	U011
------	------	------	------	------	------	------	------	------	------	------

# U007 FUSING

4.04513008N  
(x2)  
TAPPING SCREW -  
M3X8



39.M0124270  
(x2)  
THERMAL INSULA  
TING BUSHING:FU  
SING UNIT



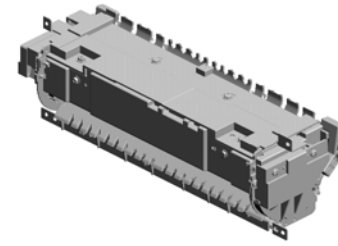
2.04503010N  
(x2)  
TAPPING SCREW -  
M3X10



50.M0124699  
DECAL:WARNING ( HIGH TEMPERATU  
RE):FRONT

U001	U002	U003	U004	U005	U006	U007	U008	U009	U010	U011
------	------	------	------	------	------	------	------	------	------	------

U007\_S001  
FUSING UNIT:220V:ASS'Y



51.M1164031  
FUSING UNIT:220V  
:ASS'Y

- 8.08046127 (x4) HEXAGONAL BOLT:DOUBLE SCREW:M3X8
- 12.AW110058 THERMOSTAT:177
- 1.03603006N (x11) SCREW - M3X6
- 7.08025318 (x4) BINDING HEAD TAPPING SCREW:ES:3X10
- 20.M0124186 COVER:LEFT UPPER:ASS'Y

9.09543010N SCREW:POLISHED ROUND/SPRING:M3X10

10.AA143520 (x7) SHOULDER SCREW - M3

18.M0124121 HEATER:700W:220V

13.G1274328 DECAL - HIGH TEMPERATURE

5.04533006N (x6) TAPPING SCREW - M3X6



19.M0124135 FEELER:PAPER FEELER SENSOR

16.M0124109 SPRING:FEELER:EXIT

11.AW020198 PHOTOINTERRUPTOR:LG2A14NL1

4.04513008N (x4) TAPPING SCREW - M3X8

21.M0124202 (x2) LEVER:PRESSURE

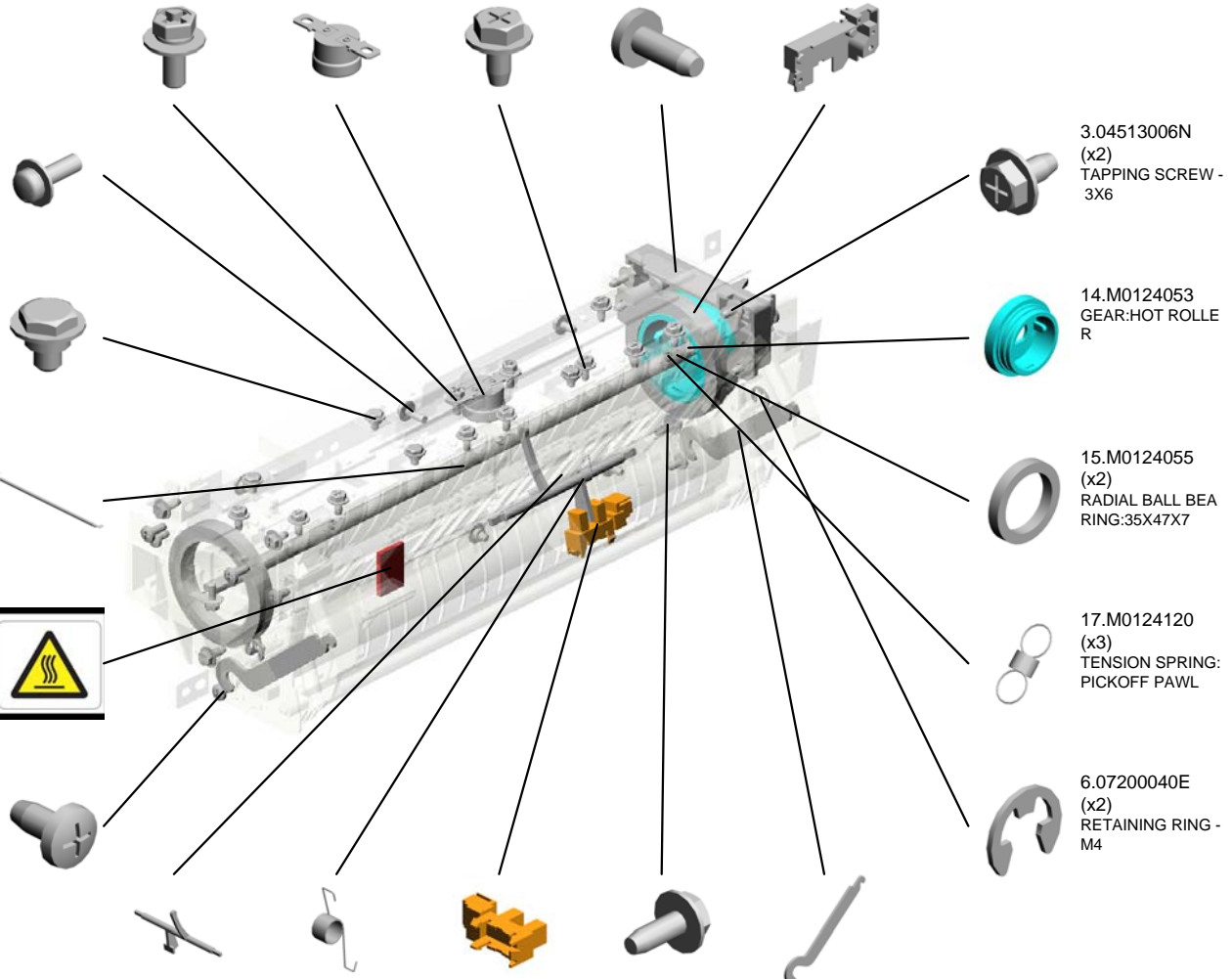
3.04513006N (x2) TAPPING SCREW - 3X6

14.M0124053 GEAR:HOT ROLLER

15.M0124055 (x2) RADIAL BALL BEARING:35X47X7

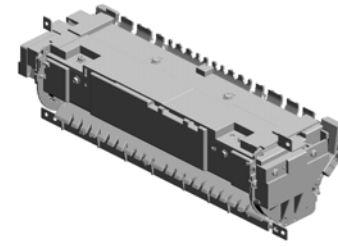
17.M0124120 (x3) TENSION SPRING: PICKOFF PAWL

6.07200040E (x2) RETAINING RING - M4



U001	U002	U003	U004	U005	U006	U007	U008	U009	U010	U011
------	------	------	------	------	------	------	------	------	------	------

U007\_S001  
FUSING UNIT:220V:ASS'Y



51.M1164031  
FUSING UNIT:220V  
:ASS'Y

42.M0124281  
(x2)  
RETAINING RINGS  
-C:HOT ROLLER

27.M0124212  
FUSING ENTRANC  
E GUIDE PLATE:U  
PPER

37.M0124263  
THERMISTOR:FUSI  
NG

32.M0124220  
HOT ROLLER

35.M0124234  
HOUSING:THERM  
OSTAT:ASS'Y

23.M0124205  
LEVER:RIGHT:FRA  
ME:FUSING

33.M0124223  
THERMAL INSULA  
TING BUSHING:HO  
T ROLLER

26.M0124211  
PLATE NUT:HEATE  
R

38.M0124266  
COVER:RIGHT LO  
WER:FUSING

28.M0124213  
(x2)  
BUSHING:PRESSU  
RE ROLLER

31.M0124217  
FUSING ENTRANC  
E GUIDE PLATE:LO  
WER

41.M0124279  
CLEANING ROLLE  
R:ASS'Y

36.M0124253  
PRESSURE ROLLE  
R:DIA30

29.M0124215  
GUIDE PLATE:EXIT

24.M0124206  
(x3)  
STRIPPER PAWLS

22.M0124204  
LEVER:LEFT:FRA  
ME:FUSING

40.M0124276  
COVER:LEFT:LOW  
ER:FUSING

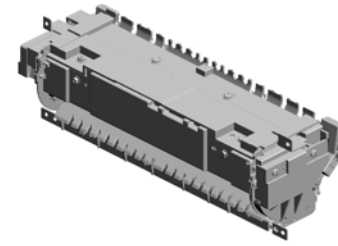
25.M0124208  
(x3)  
BRACKET:GATE P  
AWL

34.M0124229  
(x2)  
TENSION SPRING:  
FUSING:PRESSUR  
E

30.M0124216  
(x2)  
TENSION SPRING:  
FUSING:GUIDE PL  
ATE

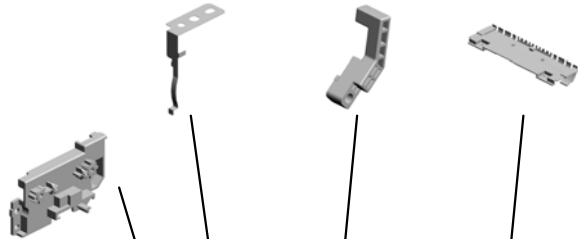
U007\_S001  
 FUSING UNIT:220V:ASS'Y

48.M0124295 GROUND PLATE:ASS'Y  
 43.M0124284 LEVER:PRESSURE:LEFT  
 46.M0124292 FUSING COVER:UPPER



51.M1164031  
 FUSING UNIT:220V  
 :ASS'Y

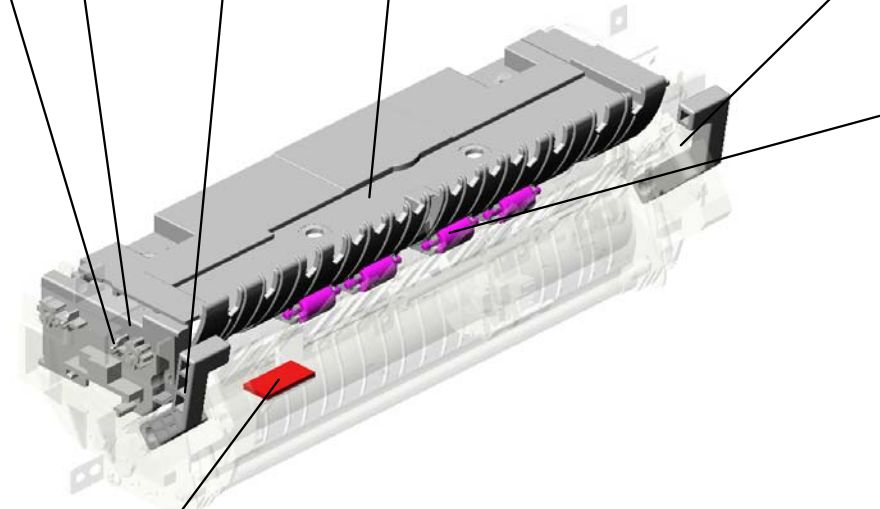
45.M0124287  
 COVER:RIGHT UP  
 PER:FUSING



44.M0124285  
 LEVER:PRESSURE  
 :RIGHT



47.M0124293  
 (x4)  
 EXIT ROLLER:EXIT  
 :FUSING



49.M0124603  
 DECAL:GUIDE PLATE:B

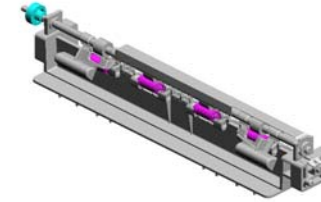
U001	U002	U003	U004	U005	U006	U007	U008	U009	U010	U011
------	------	------	------	------	------	------	------	------	------	------

# U008 PAPER EXIT

8.M0134470  
EXIT ROLLER:DUP  
LEX

3.M0124453  
EXIT ROLLER

4.M0124454  
SPRING:EXIT ROL  
LER:EXIT



5.M0124458  
DISCHARGE BRUS  
H:EXIT:ASS'Y DRA  
WING

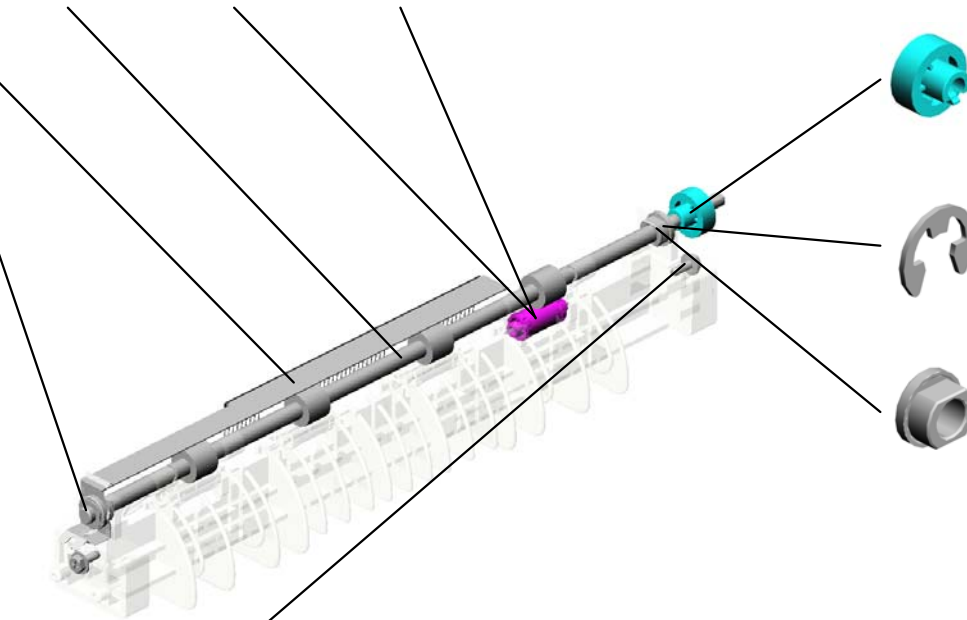
9.M1544499  
GROUND PLATE:E  
XIT ROLLER



7.M0134455  
GEAR:DRIVE:EXIT  
ROLLER

2.07200040E  
(x2)  
RETAINING RING -  
M4

6.M0124488  
(x2)  
BUSHING:DIA6XDI  
A10X6



1.04503008N  
(x2)  
TAPPING SCREW -  
M3X8

U001	U002	U003	U004	U005	U006	U007	U008	U009	U010	U011
------	------	------	------	------	------	------	------	------	------	------

# U009 DUPLEX

- 12.M0134611 BRACKET:DRIVE:DUPLEX:ASS'Y
- 11.M0134610 GEAR:DRIVE:DUPLEX
- 3.04533006N (x2) TAPPING SCREW - M3X6
- 4.04543006Q (x4) TAPPING SCREW - M3X6
- 17.M0134661 STOPPER:TRANSPORT SUB-UNIT:DUPLEX



- 2.04503010N (x2) TAPPING SCREW - M3X10

- 5.07200040E (x2) RETAINING RING - M4

- 7.08050089 (x7) RETAINING RING - M4

- 16.M0134635 SPRING:OPEN AND CLOSE:RIGHT

- 6.08050088 RETAINING RING - M6

- 13.M0134622 (x4) EXIT ROLLER:DUPLEX

- 14.M0134623 (x2) SPRING:EXIT

- 9.G0961019 (x2) TRANSPORT GUIDE PIN

- 10.M0124488 (x4) BUSHING:DIA6XDI A10X6

- 1.04503008N (x4) TAPPING SCREW - M3X8

- 19.M0134664 GUIDE PLATE:VERTICAL TRANSPORT:UPPER

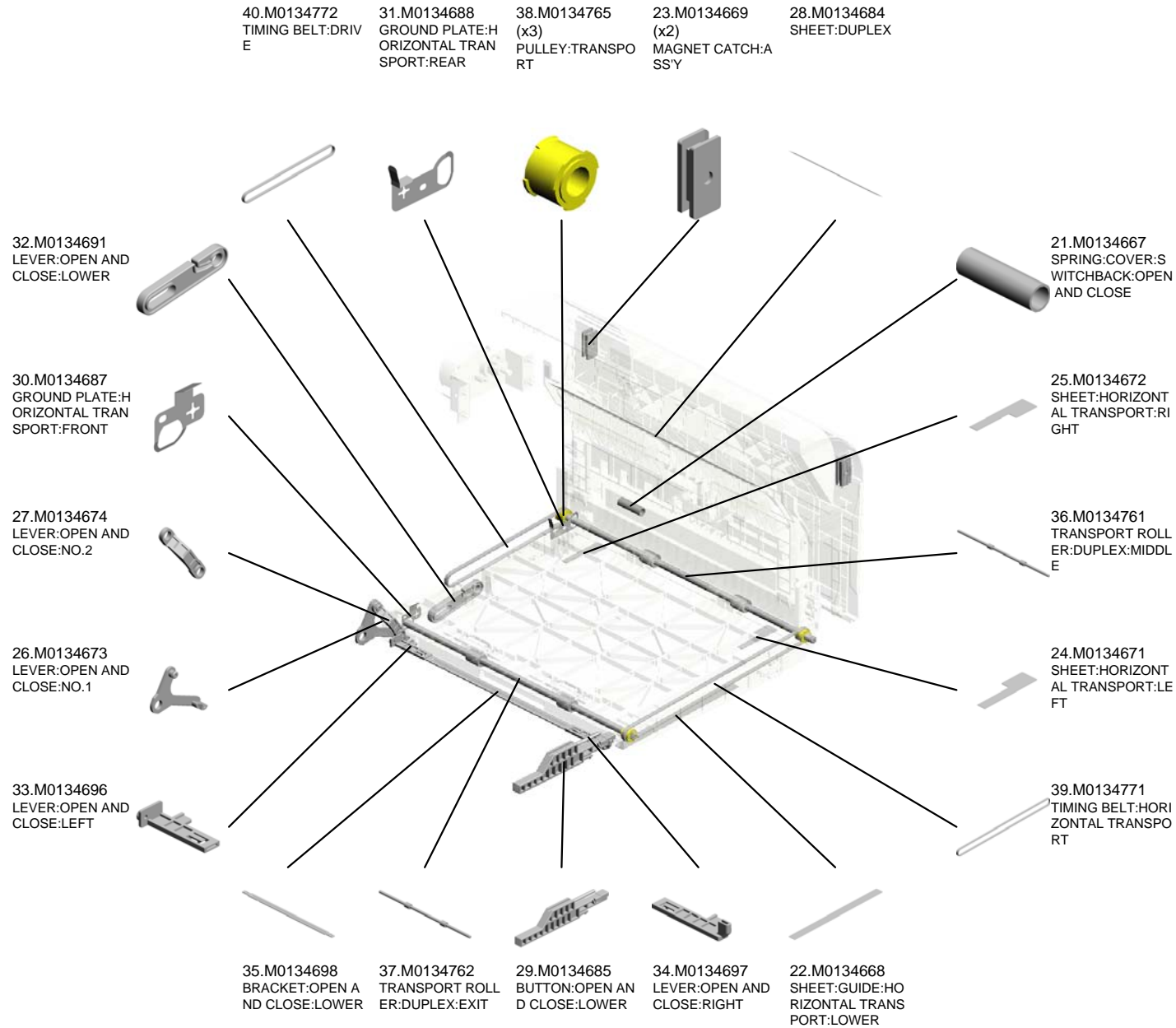
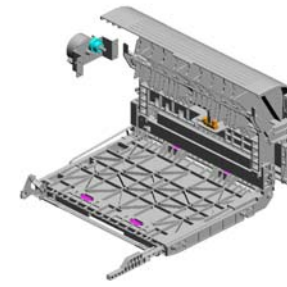
- 20.M0134666 SHAFT:COVER:SWITCHBACK:OPEN AND CLOSE

- 8.AW020198 (x2) PHOTOINTERRUPTOR:LG2A14NL1

- 18.M0134663 GUIDE PLATE:VERTICAL TRANSPORT:LOWER

- 15.M0134624 (x2) SPRING:EXIT:NO.2

# U009 DUPLEX





# U009 DUPLEX

43.M0134794  
DECAL:GUIDE PLATE:VERTICAL TRANSPORT:UPPER

46.M1174662  
COVER:SWITCHBACK:OPEN AND CLOSE

45.M0134797  
FEELER:SENSOR:VERTICAL TRANSPORT



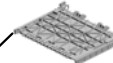
47.M1540265  
STEPPER MOTOR



41.M0134778  
FEELER:SENSOR:HORIZONTAL TRANSPORT



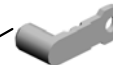
48.M1544694  
GUIDE:HORIZONTAL TRANSPORT:UPPER



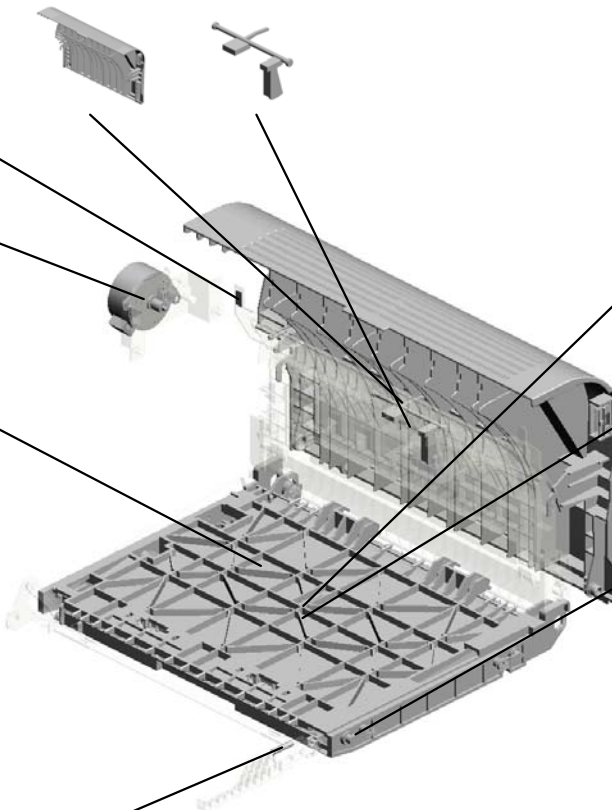
49.M1544695  
GUIDE:HORIZONTAL TRANSPORT:LOWER



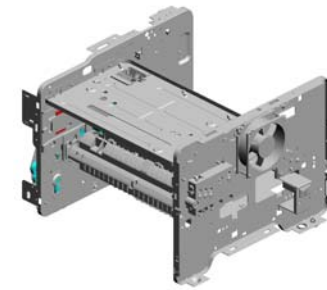
44.M0134795  
(x4)  
PIN:GUIDE:UPPER



42.M0134785  
SPRING:COVER:SWITCHBACK:OPEN AND CLOSE



# U010 MAIN DRIVE



- 17.AX640199 FAN:MM80:25MM:D C 2.16W
- 4.04513030N (x2) TAPPING SCREW: 3X30
- 1.04503008N (x12) TAPPING SCREW - M3X8
- 7.07200040E RETAINING RING - M4
- 2.04513006N (x31) TAPPING SCREW - 3X6

13.11050534  
(x2)  
CLAMP

9.09504006N  
SCREW - M4X6

16.12042879  
SWITCH:A8L-21-15  
N2

3.04513014N  
TAPPING SCREW:  
3X14

18.G0271180  
(x2)  
RUBBER FOOT - G  
F

11.11050508  
(x2)  
HARNESS CLAMP -  
LWS-0711

8.08050089  
(x6)  
RETAINING RING -  
M4

19.G0521120  
SPRING - PAPER E  
XIT RELEASE

12.11050511  
(x13)  
HARNESS CLAMP -  
LWS-0306ZC

14.11050568  
(x2)  
CLAMP:LWSS-0504

15.12042612  
(x2)  
MICRO SWITCH:D3  
V-16506-3C25

6.04543014Q  
TAPPING SCREW:  
3X14

20.GW010007  
PHOTO REFLECTI  
ON SENSOR:EXIT

10.11050197  
WIRE SADDLE

5.04543006Q  
(x6)  
TAPPING SCREW -  
M3X6

# U010 MAIN DRIVE

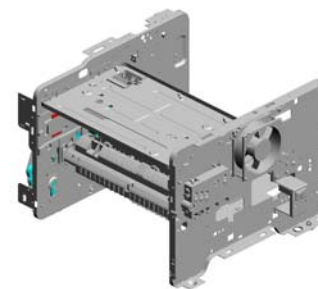
24.M0121065  
CASE:TERMINAL

39.M0124602  
DECAL:LEVER:EN  
VELOPE:RIGHT

26.M0121088  
COIL SPRING:RAIL  
:RIGHT

22.M0121040  
CASE:DISCHARGE  
LAMP

21.M0121037  
TONER BOTTLE:C  
ASE



25.M0121066  
(x4)  
SPRING:TERMINAL  
:CHARGE



23.M0121063  
(x4)  
TERMINAL:CHARG  
E



37.M0124120  
(x3)  
TENSION SPRING:  
PICKOFF PAWL



28.M0121097  
(x3)  
SUPPORTER:PAPE  
R:TRANSPORT



27.M0121089  
(x3)  
GUIDE:PAPER:LEA  
DING EDGE



33.M0121128  
GEAR:DRIVE:FUSI  
NG:NO.4



31.M0121120  
GEAR:DRIVE:FUSI  
NG:NO.3



30.M0121119  
GEAR:DRIVE:FUSI  
NG:NO.2



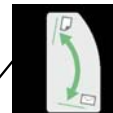
40.M0131178  
BRACKET:DRIVE:D  
UPLEX



34.M0121150  
BRUSHLESS MOT  
OR:DC 36.7W



38.M0124601  
DECAL:LEVER:EN  
VELOPE:LEFT



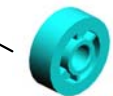
36.M0121172  
GEAR:DRIVE:MAN  
UAL FEED SECTIO  
N:NO.2



29.M0121117  
GEAR:DRIVE:DRU  
M



32.M0121123  
GEAR:DRIVE:PAPE  
R FEED:NO.3

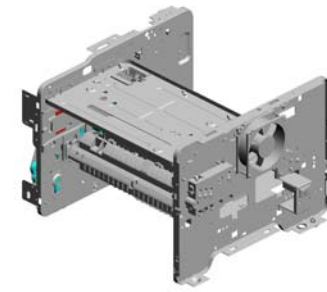


35.M0121171  
GEAR:DRIVE:MAN  
UAL FEED SECTIO  
N:NO.1

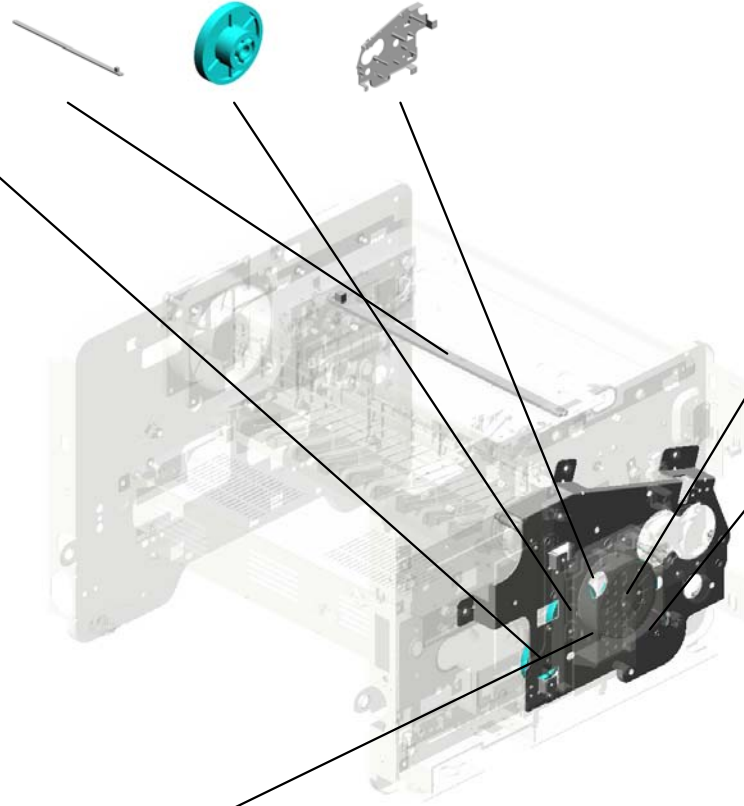


# U010 MAIN DRIVE

47.M1542056 DISCHARGE LAMP  
41.M1161118 GEAR:DRIVE:FUSI  
NG:NO.1  
46.M1541177 CASE:DRIVE:ASSY



45.M1171136  
GEAR:DRIVE:DUPL  
EX SECTION



43.M1161122  
GEAR:DRIVE:PAPE  
R FEED:NO.2



44.M1161124  
GEAR:DRIVE:PAPE  
R FEED:NO.4

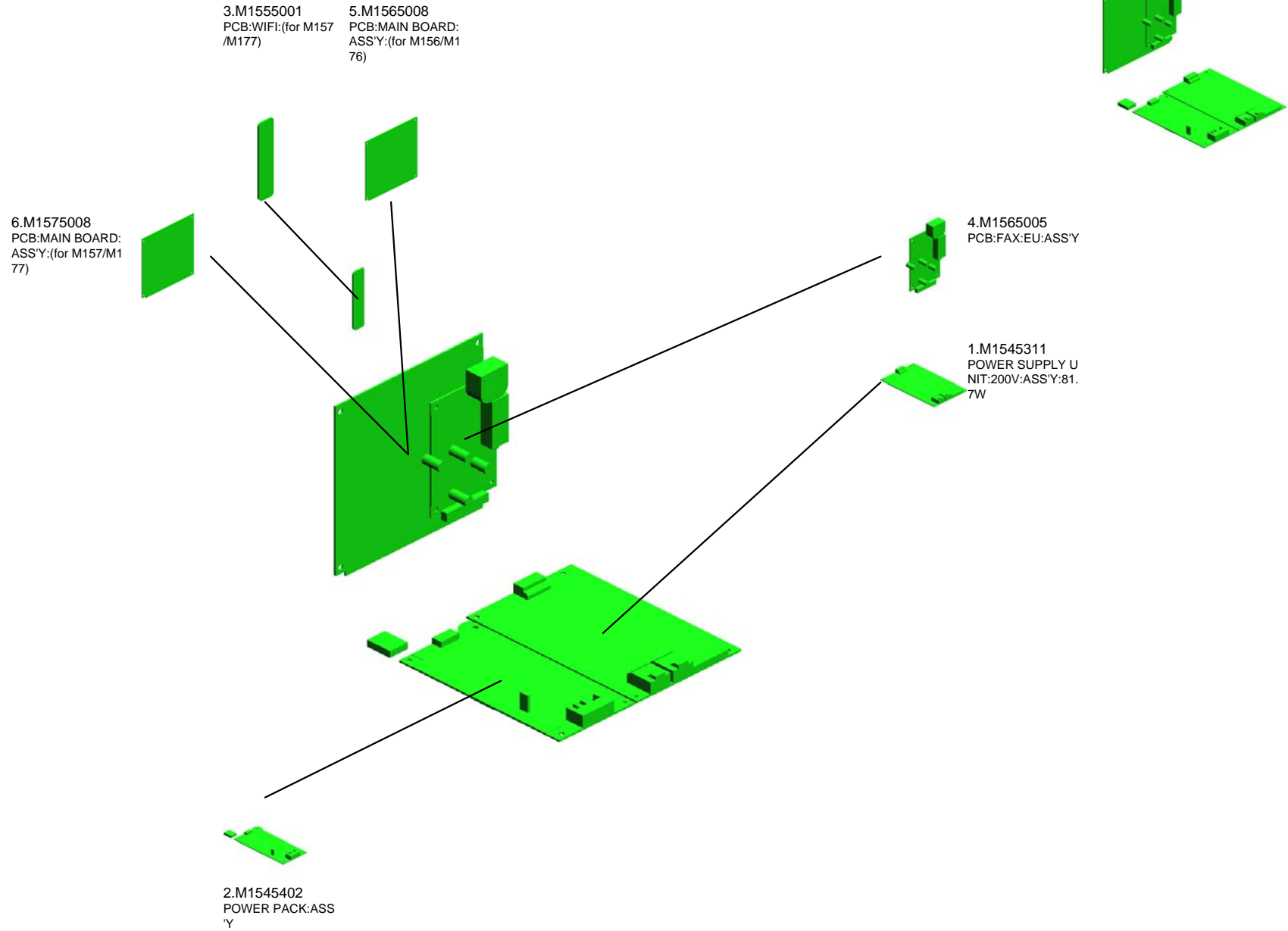


42.M1161121  
GEAR:DRIVE:PAPE  
R FEED:NO.1



U001	U002	U003	U004	U005	U006	U007	U008	U009	<b>U010</b>	U011
------	------	------	------	------	------	------	------	------	-------------	------

# U011 ELECTRICAL

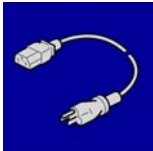


U001	U002	U003	U004	U005	U006	U007	U008	U009	U010	U011
------	------	------	------	------	------	------	------	------	------	------

ACCESSORIES



1.M1011301  
PLATE:LOGO:RIC:(for M156/M157/M177)



2.M1545699  
POWER SUPPLY CORD:250V:10A:EU



3.M1560481  
MODEL NAME PLATE:(for M156)



4.M1570481  
MODEL NAME PLATE:(for M157)



5.M1760481  
MODEL NAME PLATE:(for M176)



6.M1770481  
MODEL NAME PLATE:(for M177)

## Exclusive Parts

Number	Part Name	Group	ID
A1532117	ROLLER TERMINAL	U004	5
AA143520	SHOULDER SCREW - M3	U007_S001	10
AG070514	MAGNET CATCH	U001	3
AW020198	PHOTOINTERRUPTOR:LG2A14NL 1	U004	6
		U007_S001	11
		U009	8
AW110058	THERMOSTAT:177	U007_S001	12
AX640199	FAN:MM80:25MM:DC 2.16W	U010	17
D1272514	ELECTROMAGNETIC CLUTCH:3.5 T:MANUAL FEED	U004	7
G0123050	SIDE FENCE GEAR	U004_S002_S001	8
G0201160	SNAP RING	U004	9
G0271180	RUBBER FOOT - GF	U010	18
G0292767	BY-PASS FEED COVER	U004	10
G0521120	SPRING - PAPER EXIT RELEASE	U010	19
G0521518	SPRING - LOCK LEVER	U001	4
G0961019	TRANSPORT GUIDE PIN	U009	9
G1022717	COVER:DC SOLENOID	U004	11
G1022755	RACK:SIDE FENCE:REAR	U004_S002_S001	12
G1022789	STOPPER:PHOTOINTERRUPTOR	U004	13
G1272627	PAPER FEED ROLLER - MM32	U004	14
G1274328	DECAL - HIGH TEMPERATURE	U007_S001	13
G8003133	SIDE FENCE GEAR	U004_S001	15
GF013001	BOTTOM PLATE PAD	U004_S001_S001	16
		U004_S002_S001	16
GW010007	PHOTO REFLECTION SENSOR:EXI T	U010	20
M0121037	TONER BOTTLE:CASE	U010	21
M0121040	CASE:DISCHARGE LAMP	U010	22
M0121063	TERMINAL:CHARGE	U010	23
M0121065	CASE:TERMINAL	U010	24
M0121066	SPRING:TERMINAL:CHARGE	U010	25
M0121088	COIL SPRING:RAIL:RIGHT	U010	26
M0121089	GUIDE:PAPER:LEADING EDGE	U010	27
M0121097	SUPPORTER:PAPER:TRANSPORT	U010	28
M0121117	GEAR:DRIVE:DRUM	U010	29
M0121119	GEAR:DRIVE:FUSING:NO.2	U010	30
M0121120	GEAR:DRIVE:FUSING:NO.3	U010	31

Number	Part Name	Group	ID
M0121123	GEAR:DRIVE:PAPER FEED:NO.3	U010	32
M0121128	GEAR:DRIVE:FUSING:NO.4	U010	33
M0121150	BRUSHLESS MOTOR:DC 36.7W	U010	34
M0121171	GEAR:DRIVE:MANUAL FEED SECT ION:NO.1	U010	35
		U010	36
M0121172	GEAR:DRIVE:MANUAL FEED SECT ION:NO.2	U010	36
M0122589	PAPER TRAY:REAR	U004_S001	17
M0122590	COIL SPRING:EARTH	U004_S001	18
M0122603	STOPPER:BASE PLATE	U004_S001	19
M0122604	SPRING:RELEASE:TRAY BOTTOM PLATE	U004_S001	20
M0122605	FRICTION PAD:ADHESION	U004_S001	21
M0122608	END FENCE	U004_S001	22
M0122610	TRAY BOTTOM PLATE	U004_S001_S001	23
M0122612	COMPRESSION SPRING:TRAY BO TTOM PLATE	U004_S001	24
M0122613	COMPRESSION SPRING:SEPARAT ION	U004_S001	25
M0122614	SIDE FENCE:LEFT	U004_S001	26
M0122615	SIDE FENCE:RIGHT	U004_S001	27
M0122631	CLOTH:EARTH:PAPER FEED	U004	28
M0122668	SHAFT:PAPER FEED:ASS'Y	U004	29
M0122671	FEELER:PAPER END SENSOR	U004	30
M0122673	RAIL:PAPER TRAY:RIGHT	U004	31
M0122701	ROLLER:INTERFACE:DRIVE	U004	32
M0122702	ROLLER:INTERFACE:DRIVEN	U004	33
M0122705	SPRING:ROLLER	U004	34
M0122711	BUSHING:REGISTRATION:DRIVEN :LEFT	U004	35
		U004	36
M0122715	GUIDE PLATE:TRANSPORT:UPPE R	U004	36
M0122718	REGISTRATION ROLLER:DRIVE	U004	37
M0122719	REGISTRATION ROLLER:DRIVEN	U004	38
M0122722	SPRING:ROLLER:REGISTRATION	U004	39
M0122723	FEELER:REGISTRATION:SENSOR	U004	40
M0122725	SPRING:FEELER:REGISTRATION	U004	41
M0122730	BUSHING:REGISTRATION:DRIVEN	U004	42

## Exclusive Parts

Number	Part Name	Group	ID
	:RIGHT		
M0122741	GROUND PLATE:DRIVE:REGISTRATION ROLLER	U004	43
M0122742	GROUND PLATE:DRIVEN:REGISTRATION ROLLER	U004	44
M0122743	DECAL:GUIDE PLATE:TRANSPORT:UPPER	U004	45
M0122744	GUIDE:REGISTRATION	U004	46
M0122745	GROUND PLATE:DRIVEN	U004	47
M0122753	BUSHING:ROLLER:DRIVEN	U004	48
M0122806	SHEET:GUIDE:MANUAL FEED SUB-UNIT	U004	49
M0122816	FRICTION PAD:HOLDER:MANUAL FEED:ASS'Y	U004	50
M0122824	FEELER:MANUAL FEED	U004	51
M0122830	MECHANICAL SPRING CLUTCH:MANUAL FEED	U004	52
M0122833	DECAL:SIDE FENCE:MANUAL FEED	U004_S002_S001	53
M0122859	GUIDE PLATE:UPPER:MANUAL FEED	U004	54
M0122860	PAPER FEED ROLLER:MANUAL FEED	U004	55
M0122874	COMPRESSION SPRING:MANUAL FEED	U004_S002	56
M0122880	COMPRESSION SPRING:SEPARATION	U004	57
M0124053	GEAR:HOT ROLLER	U007_S001	14
M0124055	RADIAL BALL BEARING:35X47X7	U007_S001	15
M0124109	SPRING:FEELER:EXIT	U007_S001	16
M0124120	TENSION SPRING:PICKOFF PAWL	U007_S001	17
		U010	37
M0124121	HEATER:700W:220V	U007_S001	18
M0124135	FEELER:PAPER FEED SENSOR	U007_S001	19
M0124186	COVER:LEFT UPPER:ASS'Y	U007_S001	20
M0124202	LEVER:PRESSURE	U007_S001	21
M0124204	LEVER:LEFT:FRAME:FUSING	U007_S001	22
M0124205	LEVER:RIGHT:FRAME:FUSING	U007_S001	23

Number	Part Name	Group	ID
M0124206	STRIPPER PAWLS	U007_S001	24
M0124208	BRACKET:GATE PAWL	U007_S001	25
M0124211	PLATE NUT:HEATER	U007_S001	26
M0124212	FUSING ENTRANCE GUIDE PLATE:UPPER	U007_S001	27
M0124213	BUSHING:PRESSURE ROLLER	U007_S001	28
M0124215	GUIDE PLATE:EXIT	U007_S001	29
M0124216	TENSION SPRING:FUSING:GUIDE PLATE	U007_S001	30
M0124217	FUSING ENTRANCE GUIDE PLATE:LOWER	U007_S001	31
M0124220	HOT ROLLER	U007_S001	32
M0124223	THERMAL INSULATING BUSHING:HOT ROLLER	U007_S001	33
M0124229	TENSION SPRING:FUSING:PRESSURE	U007_S001	34
M0124234	HOUSING:THERMOSTAT:ASS'Y	U007_S001	35
M0124253	PRESSURE ROLLER:DIA30	U007_S001	36
M0124263	THERMISTOR:FUSING	U007_S001	37
M0124266	COVER:RIGHT LOWER:FUSING	U007_S001	38
M0124270	THERMAL INSULATING BUSHING:FUSING UNIT	U007	39
M0124276	COVER:LEFT:LOWER:FUSING	U007_S001	40
M0124279	CLEANING ROLLER:ASS'Y	U007_S001	41
M0124281	RETAINING RINGS-C:HOT ROLLER	U007_S001	42
M0124284	LEVER:PRESSURE:LEFT	U007_S001	43
M0124285	LEVER:PRESSURE:RIGHT	U007_S001	44
M0124287	COVER:RIGHT UPPER:FUSING	U007_S001	45
M0124292	FUSING COVER:UPPER	U007_S001	46
M0124293	EXIT ROLLER:EXIT:FUSING	U007_S001	47
M0124295	GROUND PLATE:ASS'Y	U007_S001	48
M0124453	EXIT ROLLER	U008	3
M0124454	SPRING:EXIT ROLLER:EXIT	U008	4
M0124458	DISCHARGE BRUSH:EXIT:ASS'Y DRAWING	U008	5
M0124488	BUSHING:DIA6XDIA10X6	U004	58
		U008	6



## Exclusive Parts

Number	Part Name	Group	ID
		U009	10
M0124601	DECAL:LEVER:ENVELOPE:LEFT	U010	38
M0124602	DECAL:LEVER:ENVELOPE:RIGHT	U010	39
M0124603	DECAL:GUIDE PLATE:B	U007_S001	49
M0124699	DECAL:WARNING (HIGH TEMPERATURE):FRONT	U007	50
M0126252	BUSHING:TRANSFER ROLLER:RIGHT	U006	1
M0126254	SPRING:TRANSFER ROLLER	U006	2
M0126255	GEAR:TRANSFER ROLLER	U006	3
M0126256	ROLLER:POSITIONING:TRANSFER ROLLER	U006	4
M0126260	COVER:ELECTRODE PLATE	U006	5
M0131178	BRACKET:DRIVE:DUPLEX	U010	40
M0134455	GEAR:DRIVE:EXIT ROLLER	U008	7
M0134470	EXIT ROLLER:DUPLEX	U008	8
M0134610	GEAR:DRIVE:DUPLEX	U009	11
M0134611	BRACKET:DRIVE:DUPLEX:ASS'Y	U009	12
M0134622	EXIT ROLLER:DUPLEX	U009	13
M0134623	SPRING:EXIT	U009	14
M0134624	SPRING:EXIT:NO.2	U009	15
M0134635	SPRING:OPEN AND CLOSE:RIGHT	U009	16
M0134661	STOPPER:TRANSPORT SUB-UNIT:DUPLEX	U009	17
M0134663	GUIDE PLATE:VERTICAL TRANSPORT:LOWER	U009	18
M0134664	GUIDE PLATE:VERTICAL TRANSPORT:UPPER	U009	19
M0134666	SHAFT:COVER:SWITCHBACK:OPEN AND CLOSE	U009	20
M0134667	SPRING:COVER:SWITCHBACK:OPEN AND CLOSE	U009	21
M0134668	SHEET:GUIDE:HORIZONTAL TRANSPORT:LOWER	U009	22
M0134669	MAGNET CATCH:ASS'Y	U009	23
M0134671	SHEET:HORIZONTAL TRANSPORT:LEFT	U009	24
M0134672	SHEET:HORIZONTAL TRANSPORT	U009	25

Number	Part Name	Group	ID
	:RIGHT		
M0134673	LEVER:OPEN AND CLOSE:NO.1	U009	26
M0134674	LEVER:OPEN AND CLOSE:NO.2	U009	27
M0134684	SHEET:DUPLEX	U009	28
M0134685	BUTTON:OPEN AND CLOSE:LOWER	U009	29
M0134687	GROUND PLATE:HORIZONTAL TRANSPORT:FRONT	U009	30
M0134688	GROUND PLATE:HORIZONTAL TRANSPORT:REAR	U009	31
M0134691	LEVER:OPEN AND CLOSE:LOWER	U009	32
M0134696	LEVER:OPEN AND CLOSE:LEFT	U009	33
M0134697	LEVER:OPEN AND CLOSE:RIGHT	U009	34
M0134698	BRACKET:OPEN AND CLOSE:LOWER	U009	35
M0134761	TRANSPORT ROLLER:DUPLEX:MIDDLE	U009	36
M0134762	TRANSPORT ROLLER:DUPLEX:EXIT	U009	37
M0134765	PULLEY:TRANSPORT	U009	38
M0134771	TIMING BELT:HORIZONTAL TRANSPORT	U009	39
M0134772	TIMING BELT:DRIVE	U009	40
M0134778	FEELER:SENSOR:HORIZONTAL TRANSPORT	U009	41
M0134785	SPRING:COVER:SWITCHBACK:OPEN AND CLOSE	U009	42
M0134794	DECAL:GUIDE PLATE:VERTICAL TRANSPORT:UPPER	U009	43
M0134795	PIN:GUIDE:UPPER	U009	44
M0134797	FEELER:SENSOR:VERTICAL TRANSPORT	U009	45
M0162815	DECAL:FEED PAPER AGAIN:PREVENTION	U004_S002	59
M0172630	DECAL:PICK-UP PAPER JAM	U001	5
M1011301	PLATE:LOGO:RIC:(for M156/M157/M177)	ACCESSORIES	1
M1016250	TRANSFER ROLLER	U006	6

## Exclusive Parts

Number	Part Name	Group	ID
M1016259	ELECTRODE PLATE:SEPARATION	U006	7
M1161118	GEAR:DRIVE:FUSING:NO.1	U010	41
M1161121	GEAR:DRIVE:PAPER FEED:NO.1	U010	42
M1161122	GEAR:DRIVE:PAPER FEED:NO.2	U010	43
M1161124	GEAR:DRIVE:PAPER FEED:NO.4	U010	44
M1161370	COVER:REAR LOWER	U001	6
M1162672	RAIL:PAPER TRAY:LEFT	U004	60
M1164031	FUSING UNIT:220V:ASS'Y	U007_S001	51
M1171136	GEAR:DRIVE:DUPLEX SECTION	U010	45
M1174662	COVER:SWITCHBACK:OPEN AND CLOSE	U009	46
M1180501	SPEAKER:M118	U001	7
M1341382	RAIL:SCANNER:OPEN AND CLOSE	U001	8
M1341386	RAIL:STOPPER:SCANNER:OPEN AND CLOSE	U001	9
M1540265	STEPPER MOTOR	U009	47
M1541177	CASE:DRIVE:ASS'Y	U010	46
M1541851	IMAGING UNIT:ASS'Y	U003_S001	6
M1542056	DISCHARGE LAMP	U010	47
M1542504	PAPER TRAY:ASS'Y	U004_S001	61
M1542532	MANUAL FEED TABLE:ASS'Y	U004_S002	62
M1542616	LEVER:PAPER VOLUME SENSOR	U004_S001	63
M1542629	COVER:PAPER TRAY:MIDDLE	U004_S001	64
M1542640	COVER:PAPER TRAY:LEFT	U004_S001	65
M1542641	COVER:PAPER TRAY:RIGHT	U004_S001	66
M1542805	GUIDE PLATE:MANUAL FEED:LOWER	U004	67
M1542831	DC SOLENOID:9.6W:24V	U004	68
M1542868	MANUAL FEED TABLE:SUB-ASS'Y	U004_S002_S001	69
M1542870	COVER:MANUAL FEED TABLE	U004_S002	70
M1542875	SIDE FENCE:MANUAL FEED:RIGHT	U004_S002_S001	71
M1542877	SIDE FENCE:MANUAL FEED:LEFT	U004_S002_S001	72
M1542879	EXTENSION TRAY:MANUAL FEED	U004_S002	73
M1544499	GROUND PLATE:EXIT ROLLER	U008	9
M1544694	GUIDE:HORIZONTAL TRANSPORT:UPPER	U009	48
M1544695	GUIDE:HORIZONTAL TRANSPORT	U009	49

Number	Part Name	Group	ID
	:LOWER		
M1545311	POWER SUPPLY UNIT:200V:ASS'Y:81.7W	U011	1
M1545402	POWER PACK:ASS'Y	U011	2
M1545699	POWER SUPPLY CORD:250V:10A:EU	ACCESSORIES	2
M1555001	PCB:WIFI:(for M157/M177)	U011	3
M1560481	MODEL NAME PLATE:(for M156)	ACCESSORIES	3
M1561240	EXTENSION TRAY:MF:ASS'Y	U001	10
M1561250	COVER:UPPER:MFP	U001	11
M1561251	COVER:FRONT	U001	12
M1561252	BUTTON	U001	13
M1561253	COVER:SIDE PLATE:LEFT:EU	U001	14
M1561254	SHAFT:TURN:SCANNER:LEFT	U001	15
M1561255	COVER:SIDE PLATE:RIGHT:EU	U001	16
M1561256	SHAFT:TURN:SCANNER:RIGHT	U001	17
M1561259	COVER:REAR MIDDLE:EU	U001	18
M1561272	COIL SPRING:SCANNER	U001	19
M1561392	GUIDE PLATE:SCANNER:OPEN AND CLOSE	U001	20
M1561527	OPERATION PANNEL:ASS'Y:EU/AP	U002	1
M1561600	SCANNER:ASS'Y	U002	2
M1561630	ADF:ASS'Y	U002_S001	3
M1562821	COVER:UPPER	U002_S001	4
M1562822	FRAME:PICKUP	U002_S001	5
M1562823	PICKUP ROLLER	U002_S001	6
M1562824	ARM:STOPPER	U002_S001	7
M1562825	GEAR:22T	U002_S001	8
M1562826	COIL SPRING:PICKUP	U002_S001	9
M1562827	PAWL:MECHANICAL SPRING CLUTCH	U002_S001	10
M1562828	GEAR:28T	U002_S001	11
M1562829	PAWL:PICKUP	U002_S001	12
M1562830	FEED ROLLER	U002_S001	13
M1562831	TRANSPORT ROLLER	U002_S001	14
M1562832	SHAFT:TRANSPORT ROLLER:UPPER PAPER FEED	U002_S001	15
M1562833	ARM:ORIGINAL SENSOR	U002_S001	16

## Exclusive Parts

Number	Part Name	Group	ID
M1562834	SHAFT:PICKUP	U002_S001	17
M1562835	GEAR:28T	U002_S001	18
M1562836	COIL SPRING:FEED ROLLER:UPPER	U002_S001	19
M1562837	COIL SPRING:PAWL	U002_S001	20
M1562838	ORIGINAL SENSOR	U002_S001	21
M1562841	FRAME:ADF	U002_S001	22
M1562842	SEPARATION PAD:ASS'Y	U002_S001	23
M1562843	SIDE FENCE:LEFT	U002_S001	24
M1562844	SIDE FENCE:RIGHT	U002_S001	25
M1562845	GROUND PLATE	U002_S001	26
M1562847	GEAR:21T	U002_S001	27
M1562848	GEAR:28T	U002_S001	28
M1562849	GEAR:37T	U002_S001	29
M1562850	GEAR:39T	U002_S001	30
M1562851	GEAR:46T	U002_S001	31
M1562852	GEAR:43T	U002_S001	32
M1562853	GEAR:53T	U002_S001	33
M1562854	GEAR:18T	U002_S001	34
M1562855	REGISTRATION SENSOR	U002_S001	35
M1562856	EXIT ROLLER	U002_S001	36
M1562857	PLAIN SHAFT BEARING:LEFT:EXIT ROLLER	U002_S001	37
M1562858	PLAIN SHAFT BEARING:RIGHT:EXIT ROLLER	U002_S001	38
M1562859	PLAIN SHAFT BEARING:LEFT:REGISTRATION ROLLER	U002_S001	39
M1562860	PLAIN SHAFT BEARING:RIGHT	U002_S001	40
M1562861	REGISTRATION ROLLER:ASS'Y	U002_S001	41
M1562862	ARM:REGISTRATION SENSOR	U002_S001	42
M1562863	FRAME:LOWER	U002_S001	43
M1562864	DISCHARGE BRUSH	U002_S001	44
M1562865	FRAME:MOTOR:ADF	U002_S001	45
M1562866	MOTOR:ADF	U002_S001	46
M1562868	COIL SPRING:PLATE:ADF	U002_S001	47
M1562869	PLATE:ADF	U002_S001	48
M1562871	COVER:ORIGINAL TRAY:EXTENSION TRAY:1	U002_S001	49

Number	Part Name	Group	ID
M1562872	COVER:ORIGINAL TRAY:EXTENSION TRAY:2	U002_S001	50
M1562881	COVER:MAIN	U002_S001	51
M1562882	COVER:MAIN:EXTENSION TRAY	U002_S001	52
M1562884	HINGE:LEFT:ASS'Y	U002_S001	53
M1562885	HINGE:RIGHT	U002_S001	54
M1562886	SHAFT:EXIT ROLLER	U002_S001	55
M1562887	EXIT ROLLER:DRIVEN	U002_S001	56
M1562888	SHAFT:PAPER FEED ROLLER:LOWER	U002_S001	57
M1562889	PAPER FEED ROLLER:LOWER	U002_S001	58
M1562890	COIL SPRING:REAR	U002_S001	59
M1562891	COVER:ADF:LOWER	U002_S001	60
M1562892	SCREW:3X8	U002_S001	61
M1562893	SPONGE:ADF	U002_S001	62
M1562894	COVER:REAR	U002_S001	63
M1562895	COVER:FRONT	U002_S001	64
M1562898	SCREW:3X6	U002_S001	65
M1562899	SHEET:OUTLET	U002_S001	66
M1565005	PCB:FAX:EU:ASS'Y	U011	4
M1565008	PCB:MAIN BOARD:ASS'Y:(for M156/M176)	U011	5
M1570481	MODEL NAME PLATE:(for M157)	ACCESSORIES	4
M1575008	PCB:MAIN BOARD:ASS'Y:(for M157/M177)	U011	6
M1760481	MODEL NAME PLATE:(for M176)	ACCESSORIES	5
M1770481	MODEL NAME PLATE:(for M177)	ACCESSORIES	6

## Standard Parts



03603006N  
SCREW - M3X6



04503008N  
TAPPING SCREW - M3X8



04503010N  
TAPPING SCREW - M3X10



04503012N  
TAPPING SCREW:3X12



04513006N  
TAPPING SCREW - 3X6



04513008N  
TAPPING SCREW - M3X8



04513014N  
TAPPING SCREW:3X14



04513030N  
TAPPING SCREW:3X30



04523008N  
TAPPING SCREW - M3X8



04523010N  
BINDING SELF-TAPPING SCREW:3X10



04533006N  
TAPPING SCREW - M3X6



04543006Q  
TAPPING SCREW - M3X6



04543008Q  
TAPPING SCREW:3X8



04543014Q  
TAPPING SCREW:3X14



07200040E  
RETAINING RING - M4



08025318  
BINDING HEAD TAPPING SCREW:ES:3X10



08046127  
HEXAGONAL BOLT:DOUBLE SCREW:M3X8



08050088  
RETAINING RING - M6



08050089  
RETAINING RING - M4



09504006N  
SCREW - M4X6



09543010N  
SCREW:POLISHED ROUND/  
SPRING:M3X10



11050197  
WIRE SADDLE



11050508  
HARNESS CLAMP - LWS-071  
1



11050511  
HARNESS CLAMP - LWS-030  
6ZC



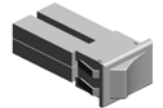
11050534  
CLAMP



11050568  
CLAMP:LWSS-0504



12042612  
MICRO SWITCH:D3V-16506-3  
C25



12042879  
SWITCH:A8L-21-15N2

## PM Part List

Number	Part Name	Num	Group	ID
G1272627	PAPER FEED ROLLER - MM3 2	1	U004	14
M1016250	TRANSFER ROLLER	1	U006	6
M1164031	FUSING UNIT:220V:ASS'Y	1	U007_S001	51

