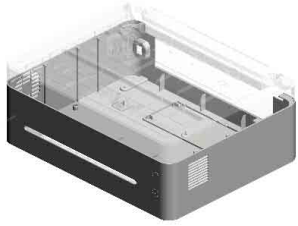


SP 150SU/150SUw
(M291/M0AE)
Parts Catalog

Model	Product Code	PC Style
SP 150/150w	M290/M0AF	3D
SP 150SU/150SUw	M291/M0AE	3D

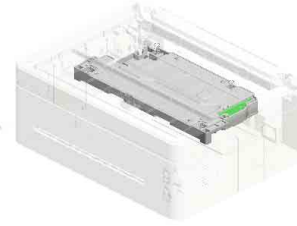
Unit All



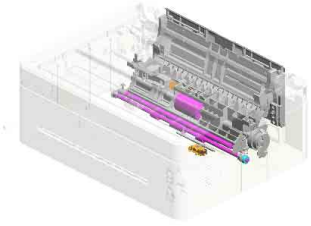
U001
EXTERIOR



U002
SCANNER



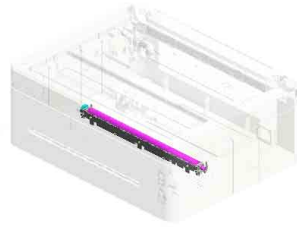
U003
LASER UNIT



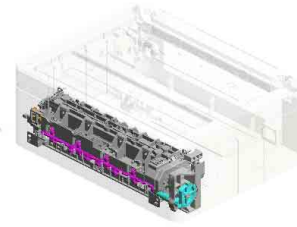
U004
PAPER FEED



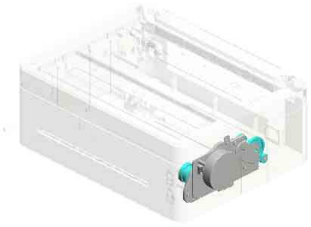
U005
PCU



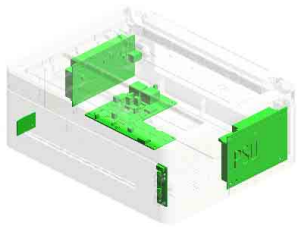
U006
TRANSFER/SEPARATION



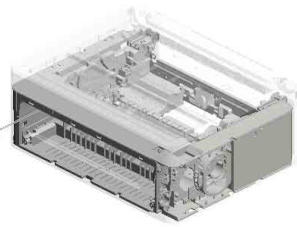
U007
FUSING



U008
MAIN DRIVE



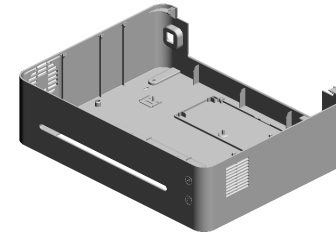
U009
ELECTRICAL



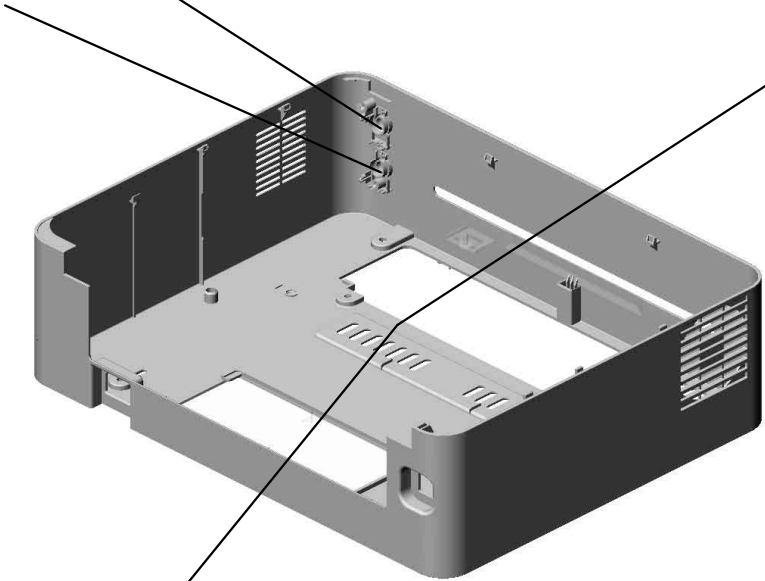
U010
MAIN FRAME

U001 EXTERIOR

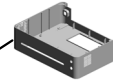
4.M2911450
KEY:OPERATION S
UB-UNIT:START



1.M2901450
KEY:OPERATION S
UB-UNIT:POWER S
OURCE



2.M2911310
(M291):COVER:LO
WER:EXTERIOR

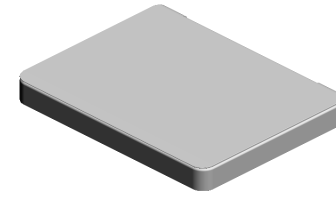
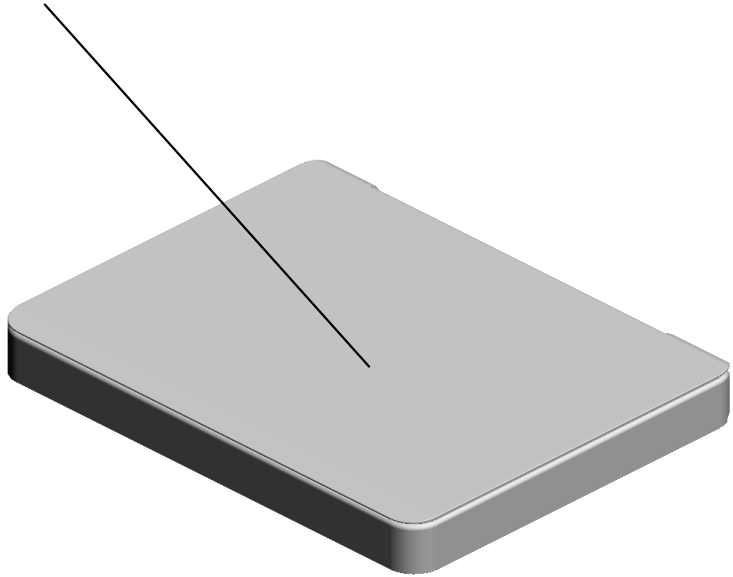


3.M2911361
(M0AE):COVER:LO
WER:EXTERIOR



U002
SCANNER

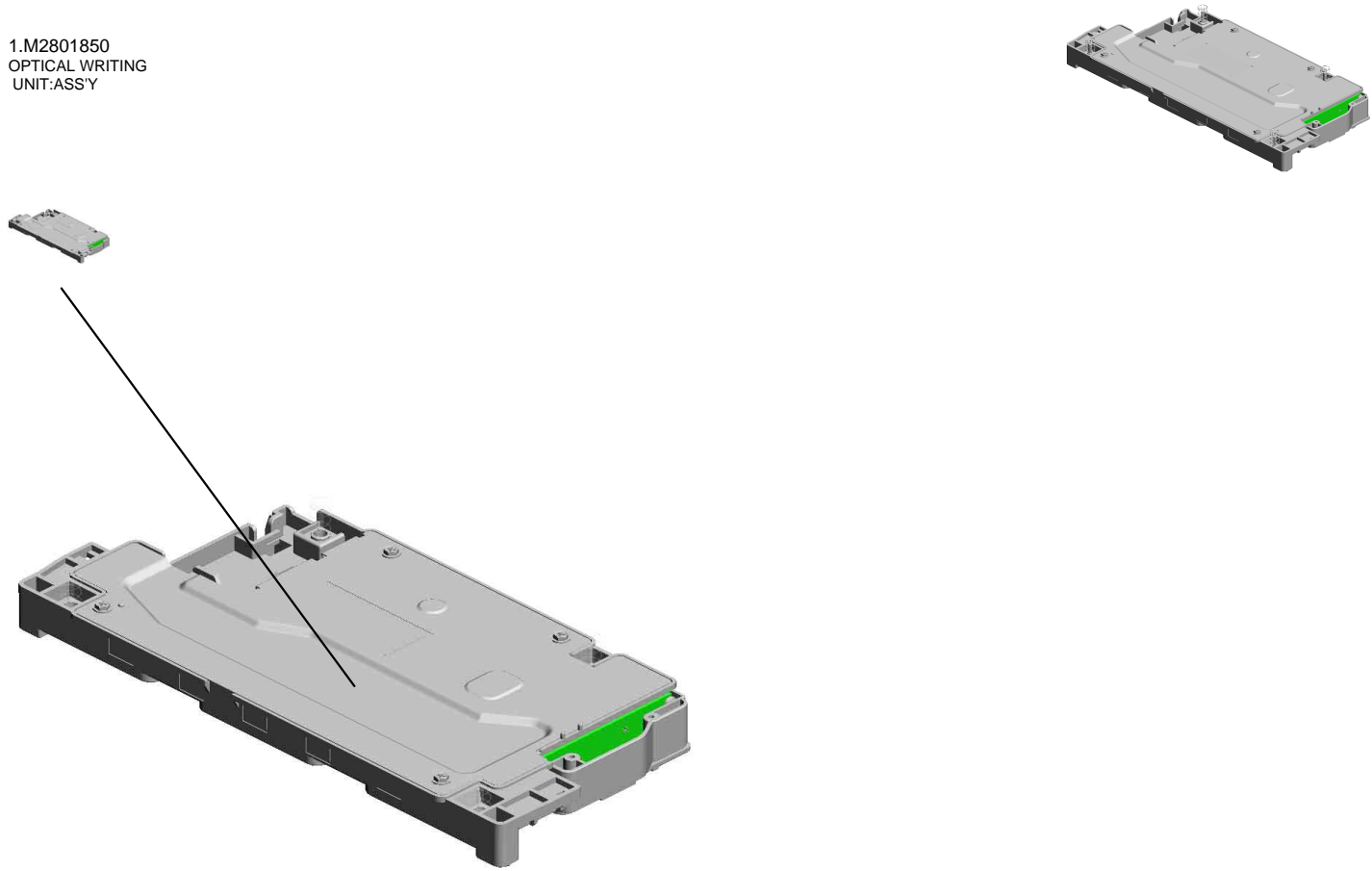
1.M2910070
OPTICAL READING
SECTION:ASS'Y



U001	U002	U003	U004	U005	U006	U007	U008	U009	U010
------	------	------	------	------	------	------	------	------	------

U003
LASER UNIT

1.M2801850
OPTICAL WRITING
UNIT:ASS'Y

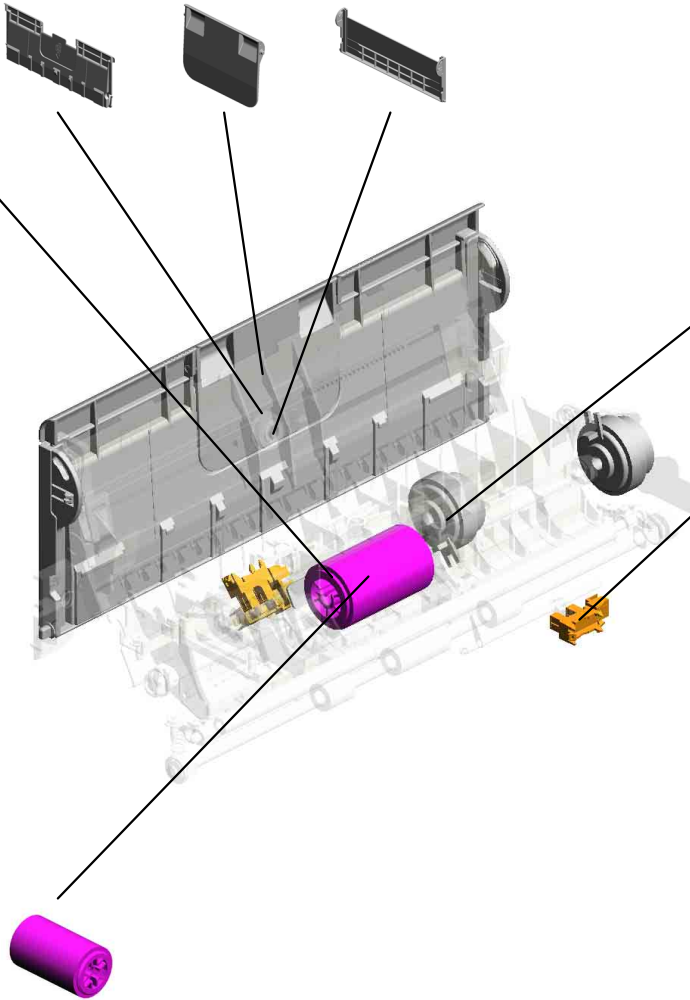


U001	U002	U003	U004	U005	U006	U007	U008	U009	U010
------	------	------	------	------	------	------	------	------	------

U004 PAPER FEED

5.M2912620 EXTENSION TRAY: LOWER
6.M2912621 EXTENSION TRAY: UPPER
7.M2912623 COVER:PAPER FEED

3.GF013001
BOTTOM PLATE PAD

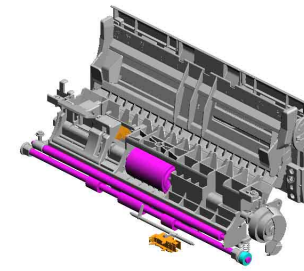


2.AX200363
(x2)
ELECTROMAGNET
IC CLUTCH:Z30



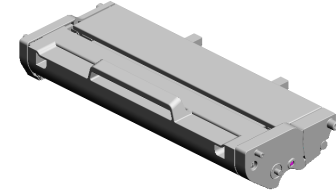
1.AW020198
(x3)
PHOTOINTERRUP
TOR:LG2A14NL1

4.GF031010
PAPER FEED ROLLER



U001	U002	U003	U004	U005	U006	U007	U008	U009	U010
------	------	------	-------------	------	------	------	------	------	------

U005
PCU

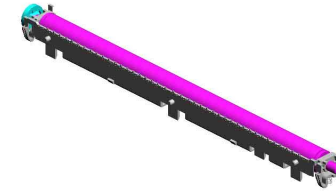


U001	U002	U003	U004	U005	U006	U007	U008	U009	U010
------	------	------	------	------	------	------	------	------	------

U006 TRANSFER/SEPARATION

2.M1336259 (x2)
ROLLER:POSITIONING:TRANSFER ROLLER

6.M2796250
TRANSFER ROLLER



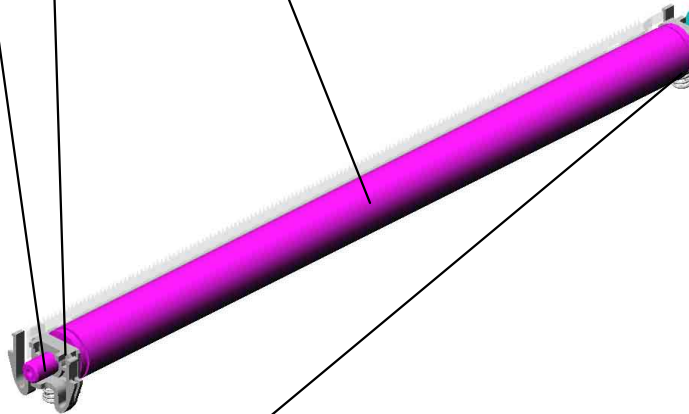
4.M1336263
BUSHING:TRANSFER ROLLER:LEFT



1.M1336254
GEAR:TRANSFER ROLLER



3.M1336262
BUSHING:TRANSFER ROLLER:RIGHT



5.M1336264 (x2)
SPRING:TRANSFER ROLLER



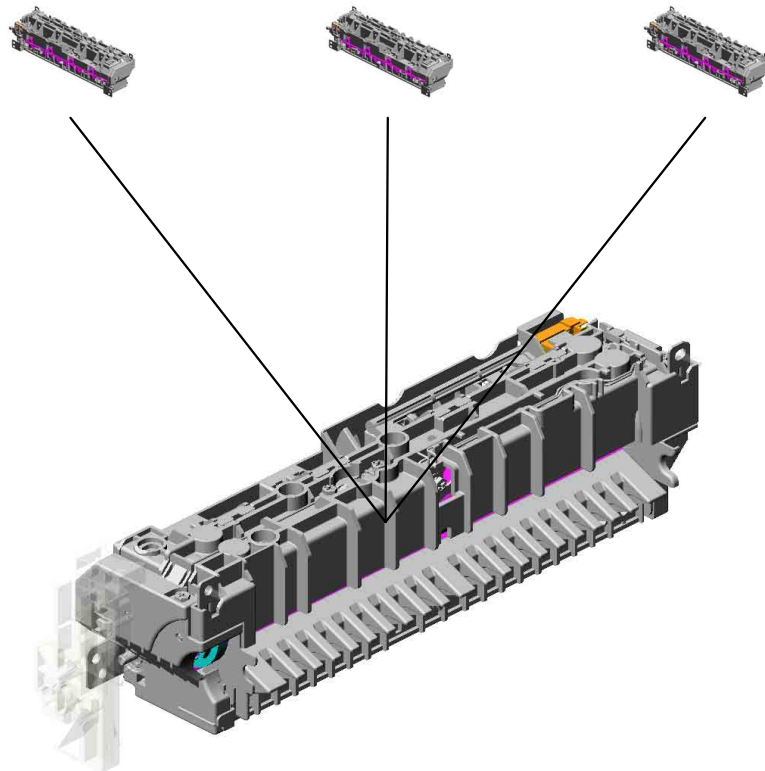
U001	U002	U003	U004	U005	U006	U007	U008	U009	U010
------	------	------	------	------	------	------	------	------	------

U007.FUSING

U007_S001
M2794008
(-EU,-AA):FUSING UNIT:SER
VICE PARTS:230V:ASS'Y

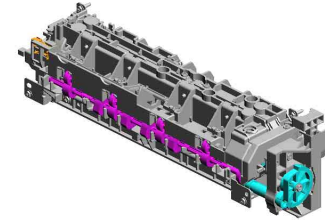
U007_S002
M2794008
(-EU,-AA):FUSING UNIT:SER
VICE PARTS:230V:ASS'Y

U007_S003
M2794007
(-NA):FUSING UNIT:SERVICE
PARTS:120V:ASS'Y



U001	U002	U003	U004	U005	U006	U007	U008	U009	U010
------	------	------	------	------	------	------	------	------	------

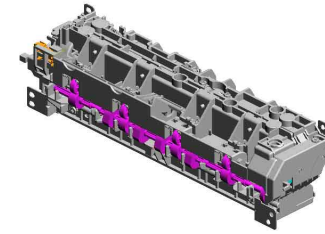
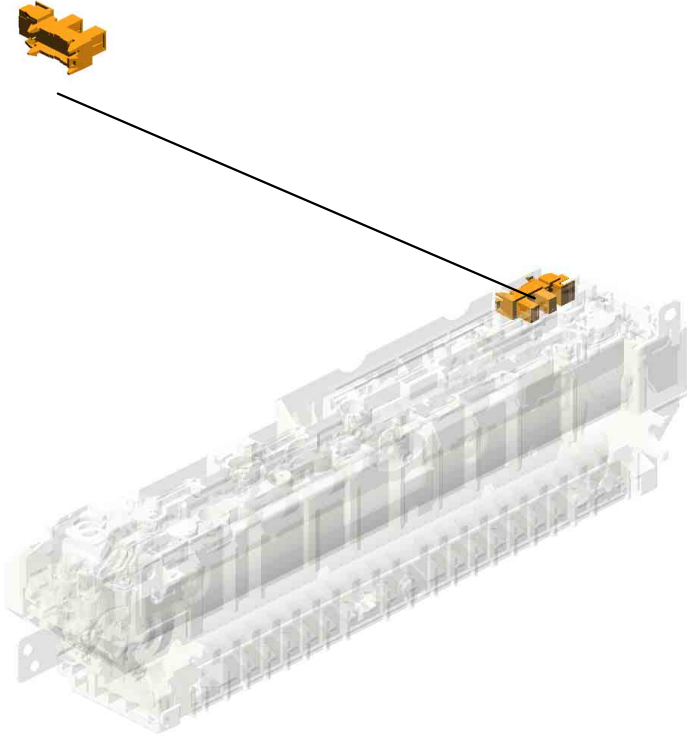
U007
FUSING



U001	U002	U003	U004	U005	U006	U007	U008	U009	U010
------	------	------	------	------	------	------	------	------	------

U007_S001
(-EU,-AA):FUSING UNIT:SERVICE PARTS:230V:ASS'Y

1.AW020198
PHOTOINTERRUP
TOR:LG2A14NL1

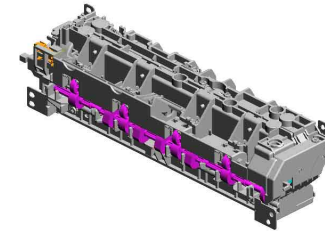
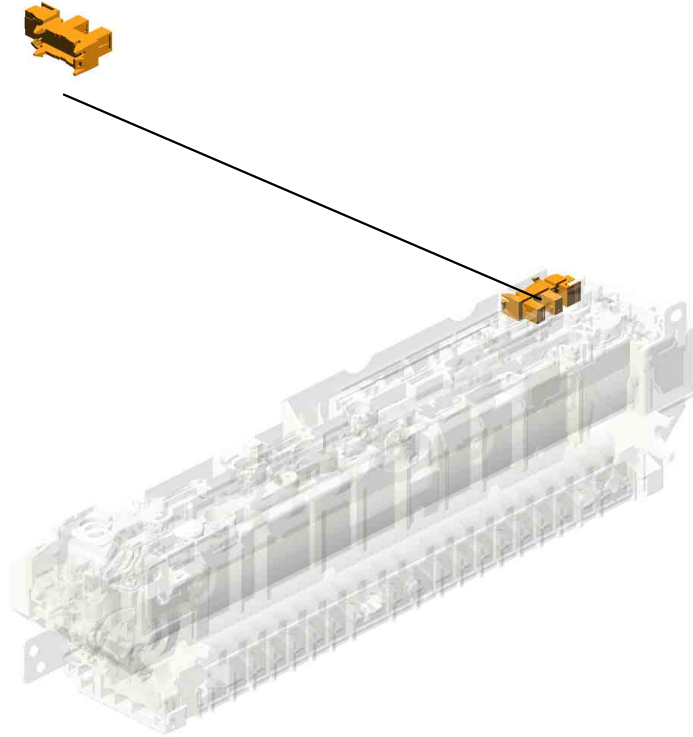


3.M2794008
(-EU,-AA):FUSING
UNIT:SERVICE PA
RTS:230V:ASS'Y

U001	U002	U003	U004	U005	U006	U007	U008	U009	U010
------	------	------	------	------	------	------	------	------	------

U007_S002
(-EU,-AA):FUSING UNIT:SERVICE PARTS:230V:ASS'Y

1.AW020198
PHOTOINTERRUP
TOR:LG2A14NL1

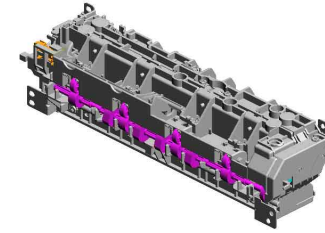
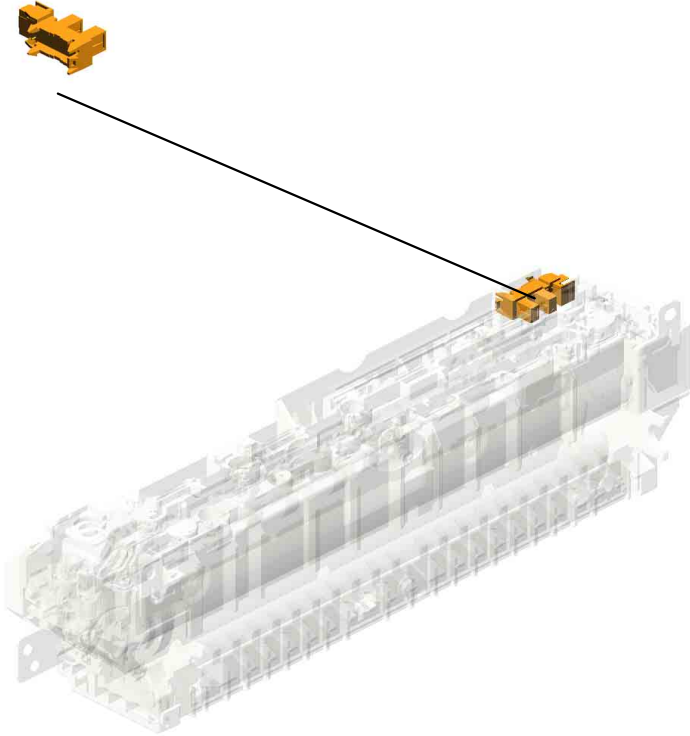


3.M2794008
(-EU,-AA):FUSING
UNIT:SERVICE PA
RTS:230V:ASS'Y

U001	U002	U003	U004	U005	U006	U007	U008	U009	U010
------	------	------	------	------	------	------	------	------	------

U007_S003
(-NA):FUSING UNIT:SERVICE PARTS:120V:ASS'Y

1.AW020198
PHOTOINTERRUP
TOR:LG2A14NL1

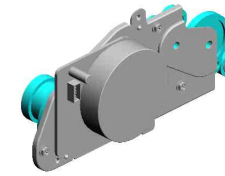


2.M2794007
(-NA):FUSING UNIT
:SERVICE PARTS:1
20V:ASS'Y

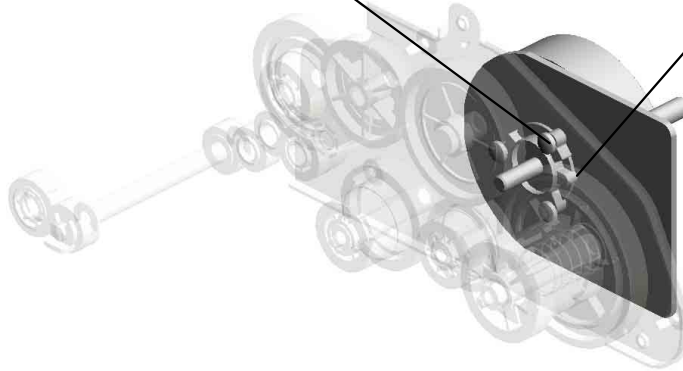
U001	U002	U003	U004	U005	U006	U007	U008	U009	U010
------	------	------	------	------	------	------	------	------	------

U008
MAIN DRIVE

1.03530040N
(x3)
SCREW - M3X4



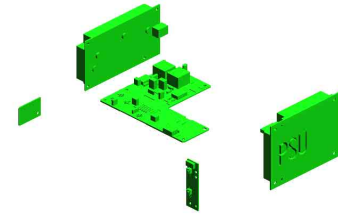
2.AX061155
DC BRUSHLESS M
OTOR:16.5W



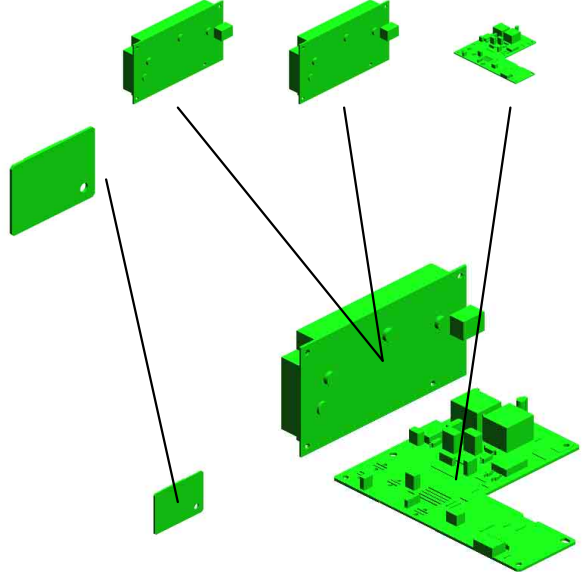
U001	U002	U003	U004	U005	U006	U007	U008	U009	U010
------	------	------	------	------	------	------	------	------	------

U009 ELECTRICAL

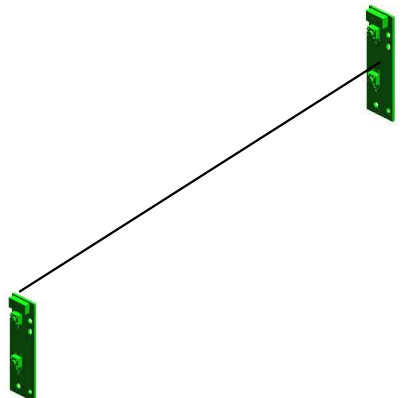
- 1.M0AE5000 (M0AE):PCB:MAINBOARD:ASSY
- 7.M2915000 (x2) (M291):PCB:MAINBOARD:ASSY
- 2.M2795402 POWER PACK:ASSY



- 3.M2835451 (M0AE):PCB:WIFI:ASSY

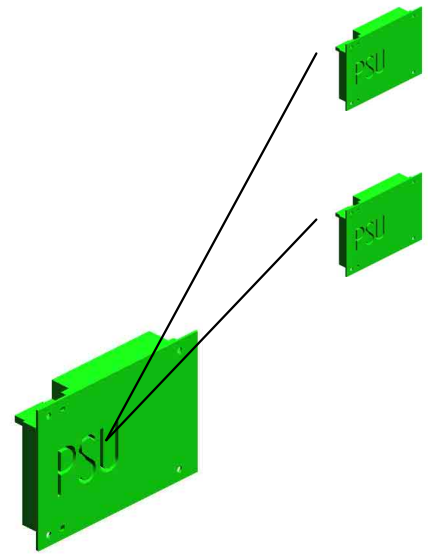


- 4.M2865480 PCB:PANEL



- 5.M2905311 (x2) (-EU,-AA):POWER SUPPLY UNIT:ASSY

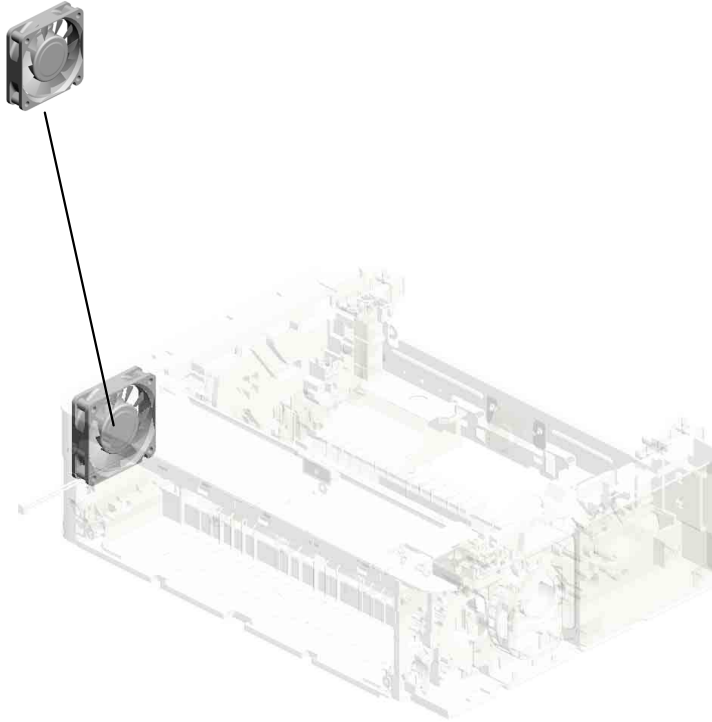
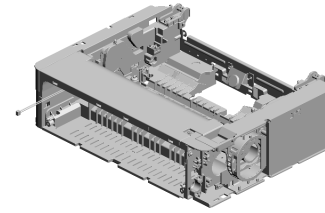
- 6.M2905315 (-NA):POWER SUPPLY UNIT:ASSY



U001	U002	U003	U004	U005	U006	U007	U008	U009	U010
------	------	------	------	------	------	------	------	------	------

U010 MAIN FRAME

1.GX640027
FAN MOTOR - DC2
4V 1.92W



U001	U002	U003	U004	U005	U006	U007	U008	U009	U010
------	------	------	------	------	------	------	------	------	------

Exclusive Parts

Number	Part Name	Group	ID
AW020198	PHOTOINTERRUPTOR:LG2A14NL 1	U004	1
		U007_S001	1
		U007_S002	1
		U007_S003	1
AX061155	DC BRUSHLESS MOTOR:16.5W	U008	2
AX200363	ELECTROMAGNETIC CLUTCH:Z30	U004	2
GF013001	BOTTOM PLATE PAD	U004	3
GF031010	PAPER FEED ROLLER	U004	4
GX640027	FAN MOTOR - DC24V 1.92W	U010	1
M0AE5000	(M0AE):PCB:MAINBOARD:ASS'Y	U009	1
M1336254	GEAR:TRANSFER ROLLER	U006	1
M1336259	ROLLER:POSITIONING:TRANSFER ROLLER	U006	2
M1336262	BUSHING:TRANSFER ROLLER:RIG HT	U006	3
M1336263	BUSHING:TRANSFER ROLLER:LE FT	U006	4
M1336264	SPRING:TRANSFER ROLLER	U006	5
M2794007	(-NA):FUSING UNIT:SERVICE PAR TS:120V:ASS'Y	U007_S003	2
M2794008	(-EU,-AA):FUSING UNIT:SERVICE PARTS:230V:ASS'Y	U007_S001	3
		U007_S002	3
M2795402	POWER PACK:ASS'Y	U009	2
M2796250	TRANSFER ROLLER:L	U006	6
M2801850	OPTICAL WRITING UNIT:ASS'Y	U003	1
M2835451	(M0AE):PCB:WIFI:ASS'Y	U009	3
M2865480	PCB:PANEL	U009	4
M2901450	KEY:OPERATION SUB-UNIT:POWE R SOURCE	U001	1
M2905311	(-EU,-AA):POWER SUPPLY UNIT:A SS'Y	U009	5
M2905315	(-NA):POWER SUPPLY UNIT:ASS'Y	U009	6
M2910070	OPTICAL READING SECTION:ASS' Y	U002	1
M2911310	(M291):COVER:LOWER:EXTERIOR	U001	2
M2911361	(M0AE):COVER:LOWER:EXTERIOR	U001	3
M2911450	KEY:OPERATION SUB-UNIT:STAR T	U001	4

Number	Part Name	Group	ID
M2912620	EXTENSION TRAY:LOWER	U004	5
M2912621	EXTENSION TRAY:UPPER	U004	6
M2912623	COVER:PAPER FEED	U004	7
M2915000	(M291):PCB:MAINBOARD:ASS'Y	U009	7

Standard Parts



03530040N
SCREW - M3X4

