

**SP 325SFNw/377SFNwX**  
**(M289/M0BD)**  
**Parts Catalog**

**Parts change information sample**

 **Add**

 **Update**

 **Delete**

Model	Product Code	PC Style
SP 320DN	M0A7	3D
SP 325DNw	M287	3D
SP 377DNwX	M0BB	3D
SP 320SN	M0A8	3D
SP 325SNw	M288	3D
SP 377SNwX	M0BC	3D
SP 320SFN	M0A9	3D
SP 325SFNw	M289	3D
SP 377SFNwX	M0BD	3D
ARDF	M2891601	Traditional

# Unit All



U001  
EXTERIOR



U002  
ARDF/SCANNER



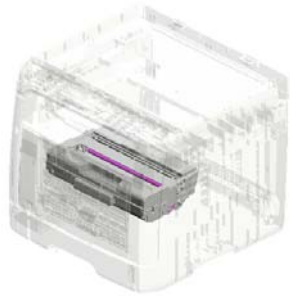
U003  
OPERATION



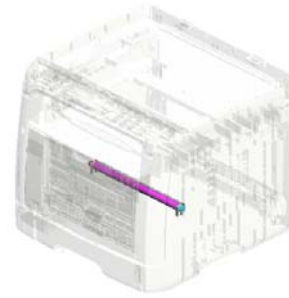
U004  
LASER UNIT



U005  
PAPER FEED



U006  
PCU



U007  
TRANSFER/SEPARATION



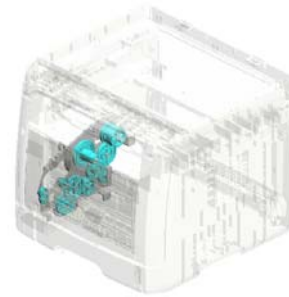
U008  
FUSING



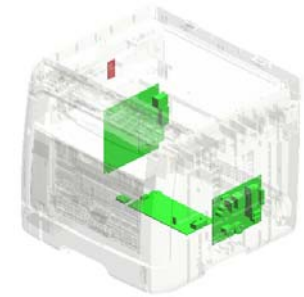
U009  
PAPER EXIT



U010  
DUPLEX

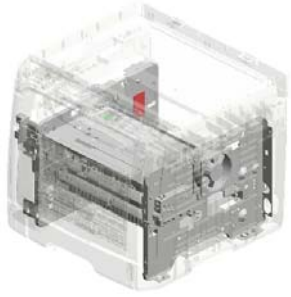


U011  
MAIN DRIVE



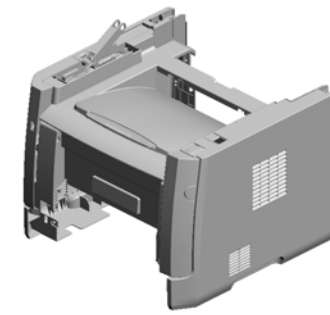
U012  
ELECTRICAL

# Unit All



U013  
MAIN FRAME

# U001 EXTERIOR



- 4.04513008N (x4) TAPPING SCREW - M3X8
- 7.AG070514 MAGNET CATCH
- 13.M1561250 COVER:UPPER:MF P
- 14.M1561254 SHAFT:TURN:SCANNER:LEFT
- 12.M1561240 EXTENSION TRAY:MF:ASSY

- 15.M1561256 SHAFT:TURN:SCANNER:RIGHT

- 2.04503012N (x4) TAPPING SCREW: 3X12

- 16.M1561259 (x3) (EU/AA/NA/TWN):COVER:REAR MIDDLE

- 17.M1561260 (CHN):COVER:REAR MIDDLE

- 20.M2871370 COVER:REAR LOWER

- 8.G0521518 SPRING - LOCK LEVER

- 10.M1341382 RAIL:SCANNER:OPEN AND CLOSE

- 19.M1561392 GUIDE PLATE:SCANNER:OPEN AND CLOSE

- 1.04503008N (x2) TAPPING SCREW - M3X8

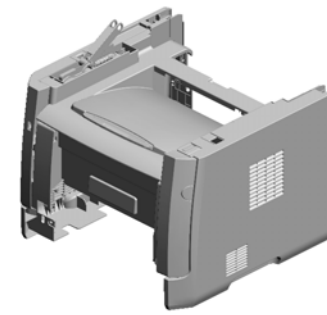
- 5.04523008N (x2) TAPPING SCREW - M3X8

- 3.04513006N (x6) TAPPING SCREW - 3X6
- 6.11050761 CLAMP:LWS-0511A
- 18.M1561272 COIL SPRING:SCANNER
- 11.M1341386 RAIL:STOPPER:SCANNER:OPEN AND CLOSE
- 9.M1180501 SPEAKER:M118

U001  
EXTERIOR

23.M2891252  
BUTTON

21.M2882632  
DECAL:PICK-UP P  
APER JAM



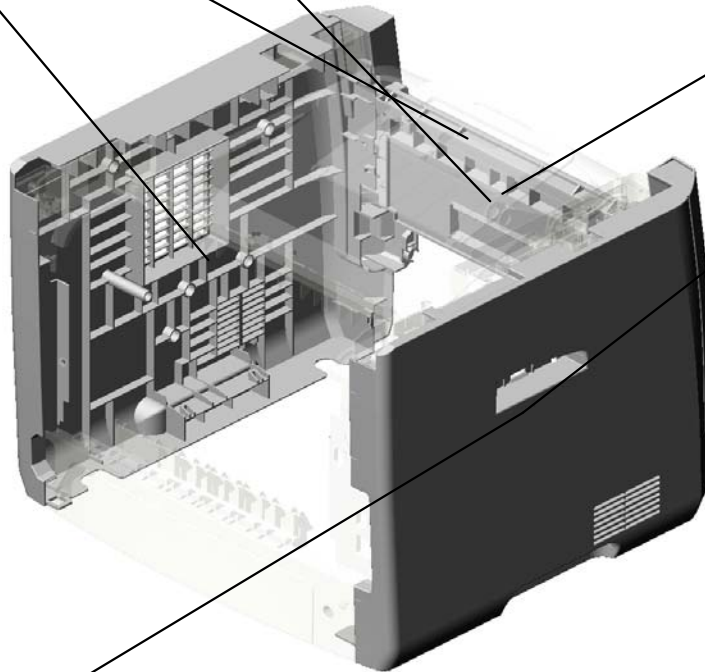
25.M2891255  
COVER:SIDE PLAT  
E:RIGHT



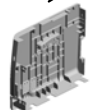
22.M2891251  
COVER:FRONT



24.M2891253  
(x3)  
(EU/AA/NA/TWN):C  
OVER:SIDE PLATE:  
LEFT

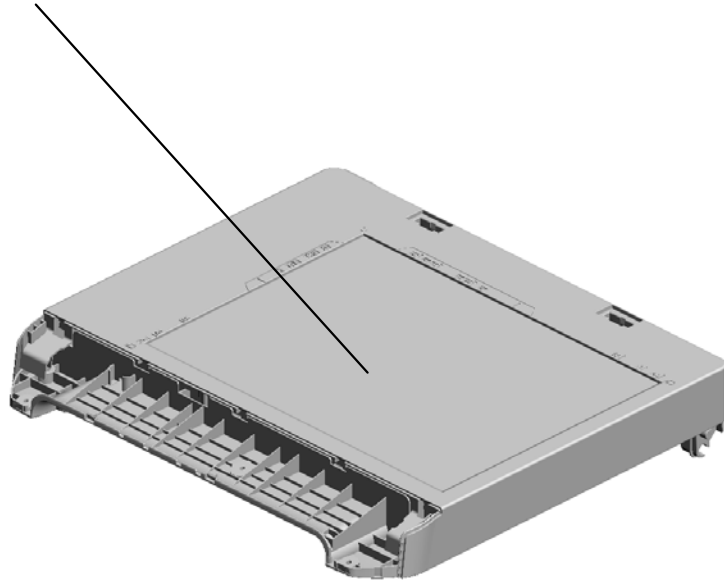


26.M2891264  
(CHN):COVER:SID  
E PLATE:LEFT



U002  
ARDF/SCANNER

1.M2881600  
SCANNER:ASSY



See 2D parts catalog  
for the components of  
the ARDF.

2.Note

See 2D parts catalog  
for the components  
of the ARDF.

U001	<b>U002</b>	U003	U004	U005	U006	U007	U008	U009	U010	U011	U012	U013
------	-------------	------	------	------	------	------	------	------	------	------	------	------

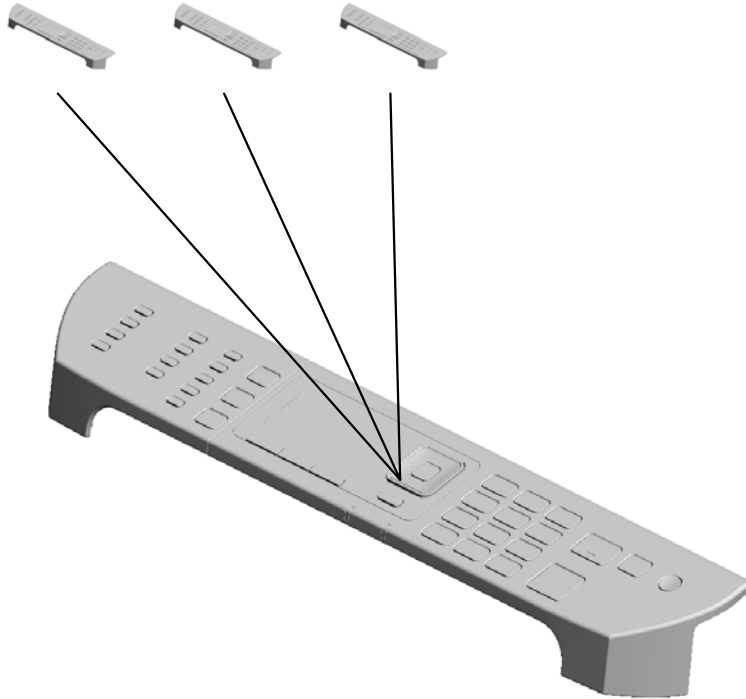


# U003 OPERATION

2.M2891402 (x2)  
(EU/AA/NA):OPERATION  
PANEL:4IN1:  
ASS'Y

3.M2891403  
(TWN):OPERATION  
PANEL:4IN1:ASS'Y

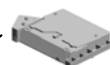
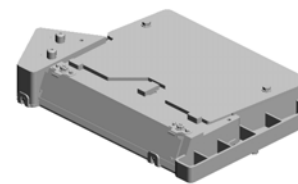
4.M2891404  
(CHN):OPERATION  
PANEL:4IN1:ASS'Y



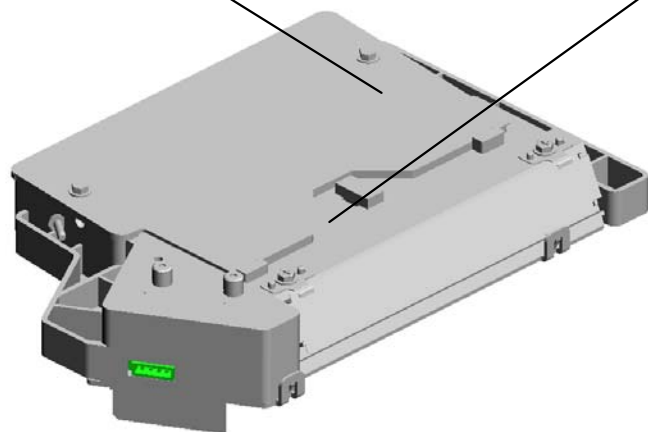
1.04503010N(x 3)  
TAPPING SCREW - M3X10

U004  
LASER UNIT

1-04543008Q  
(x3)  
TAPPING SCREW:  
3X8



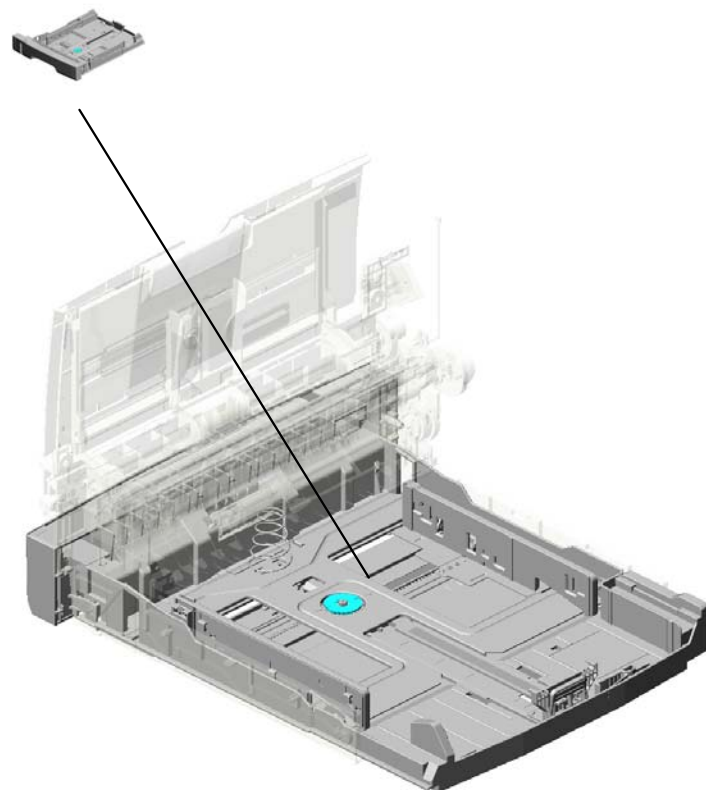
2-M2871851  
OPTICAL WRITING  
UNIT:ASSY



U001	U002	U003	U004	U005	U006	U007	U008	U009	U010	U011	U012	U013
------	------	------	------	------	------	------	------	------	------	------	------	------

# U005.PAPER FEED

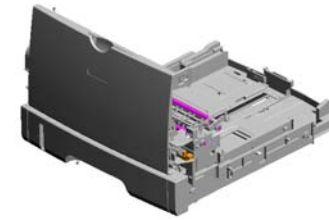
U005 S001  
M2872505  
PAPER TRAY:ASSY



U001	U002	U003	U004	<b>U005</b>	U006	U007	U008	U009	U010	U011	U012	U013
------	------	------	------	-------------	------	------	------	------	------	------	------	------

# U005 PAPER FEED

- 10.G0123050 SIDE FENCE GEAR
- 12.G0292767 BY-PASS FEED COVER
- 28.M0122702 ROLLER:INTERFACEDRIVEN
- 4.04523010N BINDING SELF-TAPPING SCREW:3X10
- 13.G1022717 COVER:DC SOLENOID



17.GF013001  
BOTTOM PLATE PAD

29.M0122705  
(x2)  
SPRING:ROLLER

8.AW020198  
(x3)  
PHOTOINTERRUPTOR:LG2A14NL1

14.G1022789  
STOPPER:PHOTOINTERRUPTOR

1.04503008N  
(x2)  
TAPPING SCREW - M3X8

11.G0201160  
(x2)  
SNAP RING

26.M0122673  
RAIL:PAPER TRAY:RIGHT

15.G1272627  
PAPER FEED ROLLER - MM32

27.M0122701  
ROLLER:INTERFACEDRIVE

25.M0122668  
SHAFT:PAPER FEED:ASSY

6.A1532117  
ROLLER TERMINAL

7.AA143520  
SHOULDER SCREW - M3

5.08050104  
(x7)  
RETAINING RINGS -E:SILENCER:DIA4

3.04513006N(x 3)  
TAPPING SCREW - 3X6

24.M0122631  
CLOTH:EARTH:PA PER FEED

3.04513006N  
(x5)  
TAPPING SCREW - 3X6

9.D1272514  
(x3)  
ELECTROMAGNETIC CLUTCH:3.5T:M ANUAL FEED

# U005 PAPER FEED

- 48.M0122833 DECAL:SIDE FENC  
E:MANUAL FEED
- 40.M0122743 DECAL:GUIDE PLA  
TE:TRANSPORT:U  
PPER
- 49.M0122859 GUIDE PLATE:UPP  
ER:MANUAL FEED
- 45.M0122816 FRICTION PAD:HO  
LDER:MANUAL FE  
ED:ASS'Y
- 44.M0122806 SHEET:GUIDE:MA  
NUAL FEED SUB-U  
NIT



46.M0122824  
FEELER:MANUAL  
FEED



43.M0122753  
(x2)  
BUSHING:ROLLER:  
DRIVEN



42.M0122745  
GROUND PLATE:D  
RIVEN



34.M0122722  
(x2)  
SPRING:ROLLER:R  
EGISTRATION



37.M0122730  
BUSHING:REGIS  
TRATION:DRIVEN:RI  
GHT



31.M0122715  
GUIDE PLATE:TRA  
NSPORT:UPPER



33.M0122719  
REGISTRATION R  
OLLER:DRIVEN



32.M0122718  
REGISTRATION R  
OLLER:DRIVE



35.M0122723  
FEELER:REGISTR  
ATION:SENSOR



41.M0122744  
(x2)  
GUIDE:REGISTRAT  
ION



47.M0122830  
MECHANICAL SPRI  
NG CLUTCH:MANU  
AL FEED



39.M0122742  
GROUND PLATE:D  
RIVEN:REGISTRAT  
ION ROLLER



30.M0122711  
BUSHING:REGIS  
TRATION:DRIVEN:L  
EFT



38.M0122741  
GROUND PLATE:D  
RIVE:REGISTRATI  
ON ROLLER

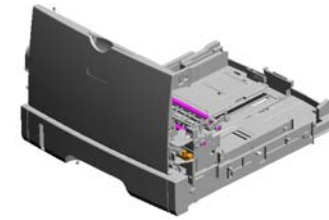


36.M0122725  
SPRING:FEELER:R  
EGISTRATION



# U005 PAPER FEED

67.M1542879 EXTENSION TRAY: MANUAL FEED  
 83.M2872871 COVER:MANUAL FEED TABLE  
 85.M2872876 SIDE FENCE:MANUAL FEED:LEFT  
 65.M1542815 DECAL:FEED PAPER AGAIN:PREVENTION



86.M2872878 (x2) RACK:MANUAL FEED

88.M2872881 BASE:MANUAL FEED TABLE

84.M2872875 SIDE FENCE:MANUAL FEED:RIGHT

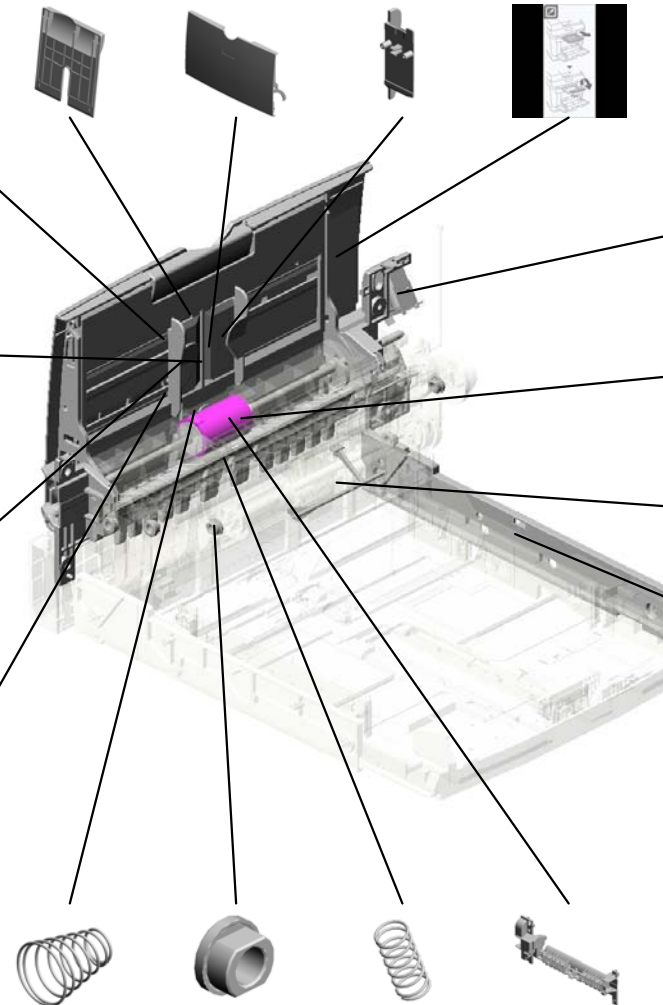
87.M2872879 (x2) COMPRESSION SPRING:SIDE FENCE:MANUAL FEED

66.M1542831 DC SOLENOID:9.6W:24V

50.M0122860 PAPER FEED ROLLER:MANUAL FEED

82.M2872671 FEELER:PAPER END SENSOR

58.M1162672 RAIL:PAPER TRAY:LEFT



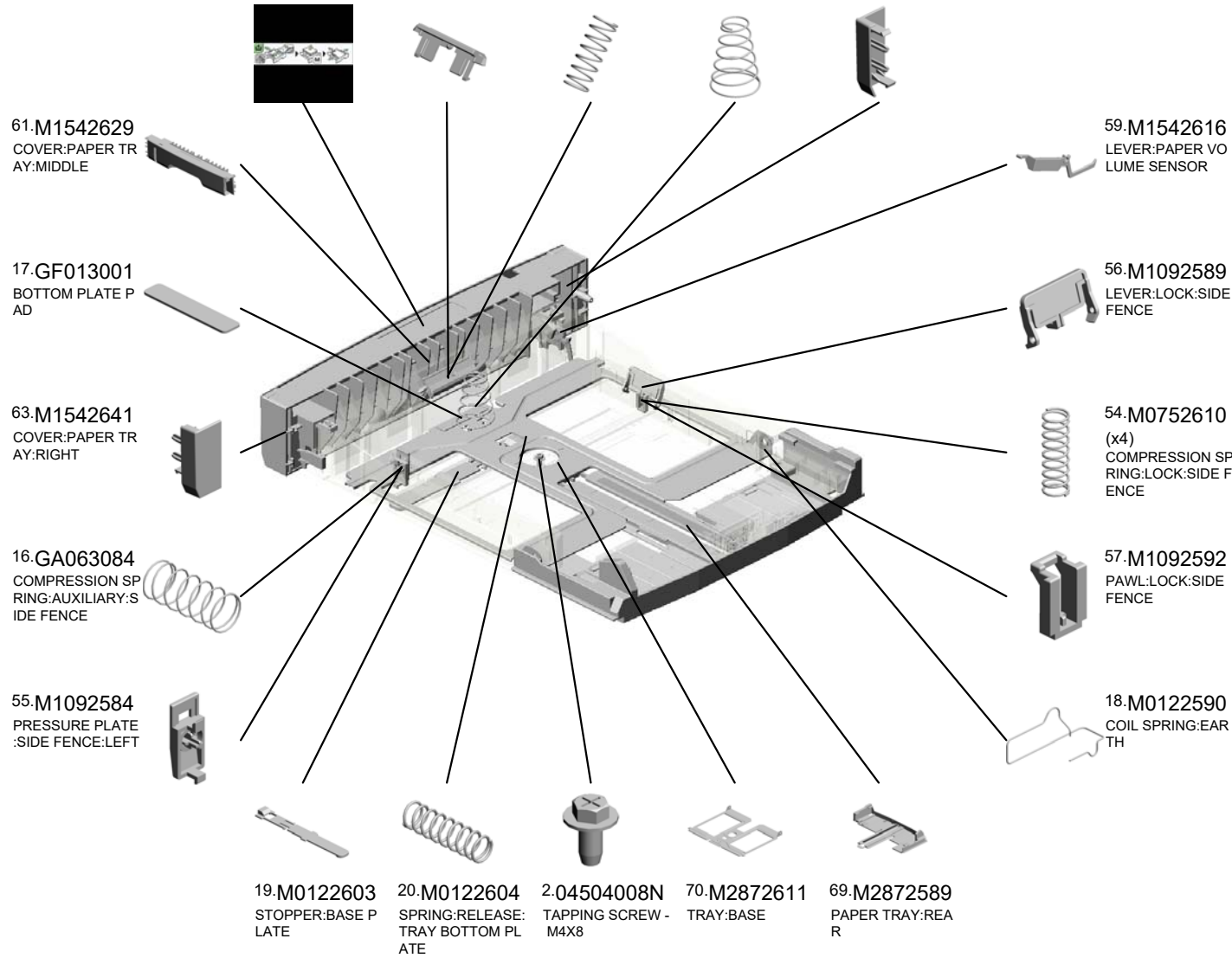
51.M0122874 COMPRESSION SPRING:MANUAL FEED  
 53.M0124488 (x6) BUSHING:DIA6XDI A10X6  
 52.M0122880 COMPRESSION SPRING:SEPARATION  
 64.M1542805 GUIDE PLATE:MANUAL FEED:LOWER

U005\_S001  
PAPER TRAY:ASS'Y

- 60.M1542618 DECAL:PAPER TRAY:FRONT
- 21.M0122605 FRICTION PAD:ADHESION
- 23.M0122613 COMPRESSION SPRING:SEPARATION
- 22.M0122612 COMPRESSION SPRING:TRAY BOTTOM PLATE
- 62.M1542640 COVER:PAPER TRAY:LEFT



68.M2872505  
PAPER TRAY:ASS'Y



U001	U002	U003	U004	U005	U006	U007	U008	U009	U010	U011	U012	U013
------	------	------	------	------	------	------	------	------	------	------	------	------



U005\_S001  
PAPER TRAY:ASS'Y

81.M2872636  
GEAR:16Z

72.M2872615  
SIDE FENCE:LEFT

77.M2872624  
(x2)  
CLICK:SIDE FENC  
E

73.M2872618  
COVER:SIDE FENC  
E:LEFT



68.M2872505  
PAPER TRAY:ASS'  
Y

74.M2872620  
SIDE FENCE:RIGH  
T

75.M2872622  
COVER:SIDE FENC  
E:RIGHT

79.M2872626  
DECAL:EXTENSIO  
N TRAY

78.M2872625  
LEVER:LOCK:EXT  
ENSION TRAY

71.M2872612  
END FENCE

80.M2872627  
LEVER:LOCK:END  
FENCE

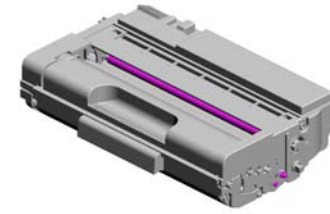
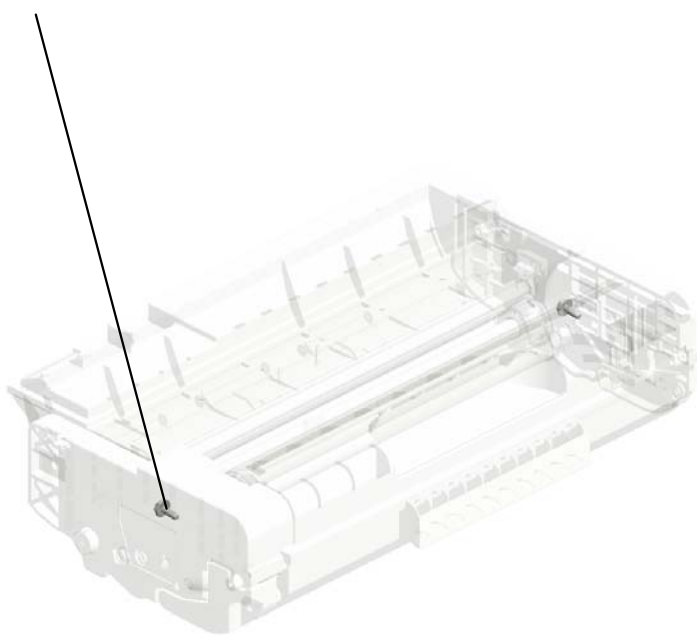
76.M2872623  
PAWL:LOCK:END F  
ENCE

U001	U002	U003	U004	U005	U006	U007	U008	U009	U010	U011	U012	U013
------	------	------	------	------	------	------	------	------	------	------	------	------



U006  
PCU

1.04503008N  
(x2)  
TAPPING SCREW -  
M3X8

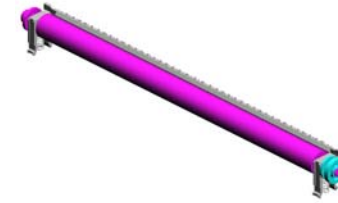


1.04503008N(x 4)  
TAPPING SCREW - M3X8  
2.04523010N(x 2)  
BINDING SELF-TAPPING SCREW:3X10

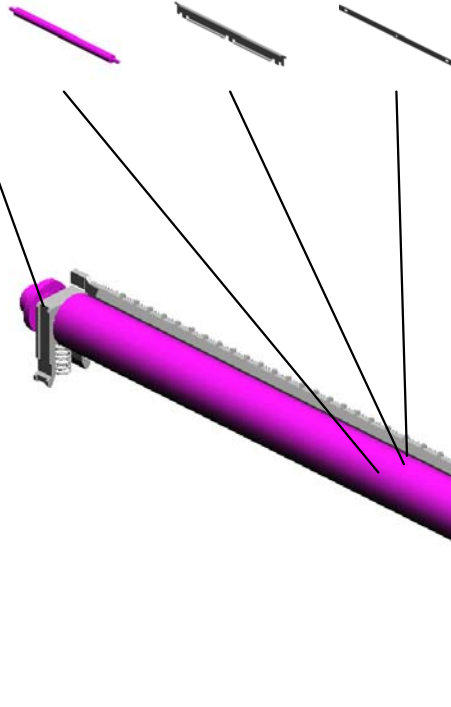
U001	U002	U003	U004	U005	U006	U007	U008	U009	U010	U011	U012	U013
------	------	------	------	------	------	------	------	------	------	------	------	------

U007  
TRANSFER/SEPARATION

6.M1016250 TRANSFER ROLLER  
 5.M0126260 COVER:ELECTRODE PLATE  
 7.M1016259 ELECTRODE PLATE:SEPARATION



4.M0126256 ROLLER:POSITIONING:TRANSFER ROLLER



3.M0126255 GEAR:TRANSFER ROLLER



1.M0126252 (x2) BUSHING:TRANSFER ROLLER:RIGHT



2.M0126254 (x2) SPRING:TRANSFER ROLLER



U001	U002	U003	U004	U005	U006	U007	U008	U009	U010	U011	U012	U013
------	------	------	------	------	------	------	------	------	------	------	------	------

# U008.FUSING

U008\_S001  
M2874031  
(EU/AA):FUSING UNIT:ASS'Y

U008\_S002  
M2874030  
(NA):FUSING UNIT:ASS'Y

U008\_S003  
M2874049  
(TWN):FUSING UNIT:ASS'Y

U008\_S004  
M2874033  
(CHN):FUSING UNIT:ASS'Y

U001	U002	U003	U004	U005	U006	U007	U008	U009	U010	U011	U012	U013
------	------	------	------	------	------	------	------	------	------	------	------	------

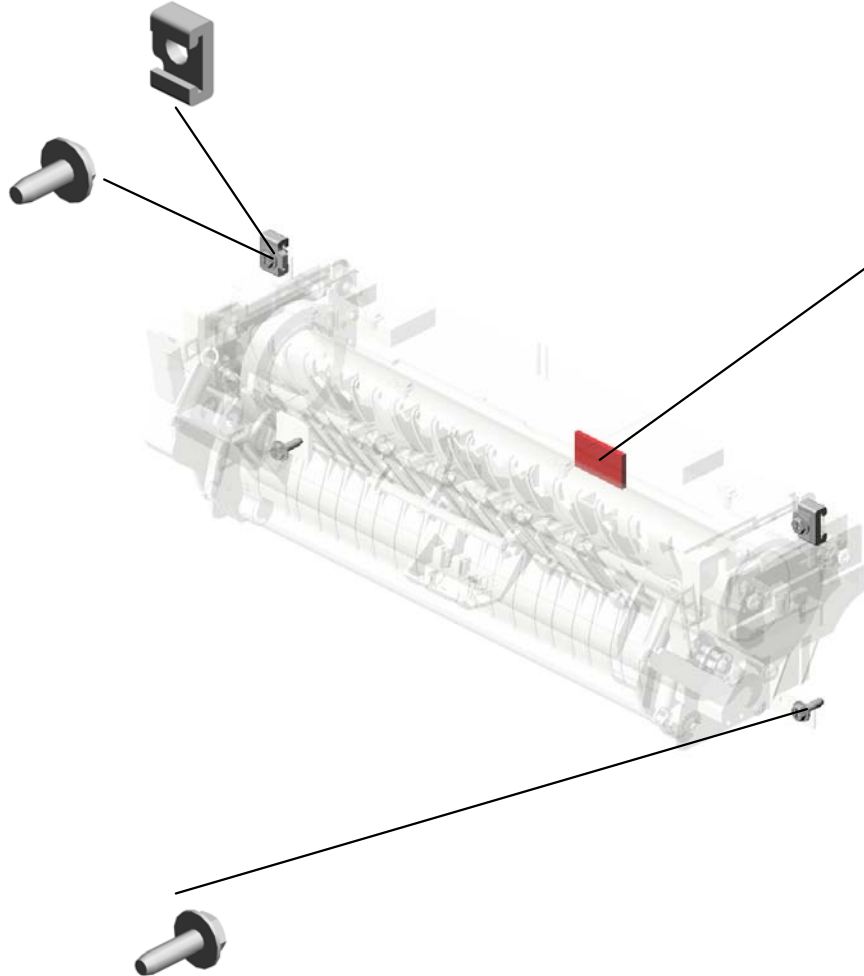
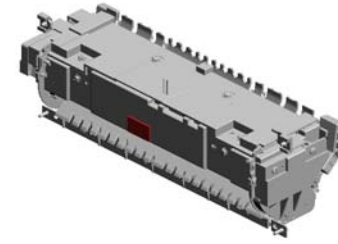
# U008 FUSING

36.M0124270  
(x2)  
THERMAL INSULATING BUSHING:FUSING UNIT

4.04513008N  
(x2)  
TAPPING SCREW - M3X8

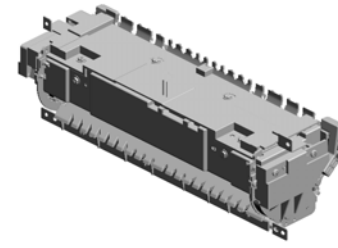
47.M0124699  
DECAL:WARNING (HIGH TEMPERATURE):FRONT

2.04503010N  
(x2)  
TAPPING SCREW - M3X10



U001	U002	U003	U004	U005	U006	U007	<b>U008</b>	U009	U010	U011	U012	U013
------	------	------	------	------	------	------	-------------	------	------	------	------	------

U008\_S001  
(EU/AA):FUSING UNIT:ASS'Y



49.M2874031  
(EU/AA):FUSING U  
NIT:ASS'Y

11.AA143520 (x7) SHOULDER SCRE  
W - M3  
9.08046127 (x4) HEXAGONAL BOLT  
:DOUBLE SCREW:  
M3X8  
10.09543010N SCREW:POLISHED  
ROUND/SPRING:M  
3X10  
13.AW110116 THERMOSTAT  
18.M0124120 (x3) TENSION SPRING:  
PICKOFF PAWL

1.03603006N  
(x11) SCREW - M3X6



14.G1274328  
DECAL - HIGH TEM  
PERATURE



19.M0124135  
FEELER:PAPER FE  
ED SENSOR



17.M0124109  
SPRING:FEELER:E  
XIT



12.AW020198  
PHOTOINTERRUP  
TOR:LG2A14NL1



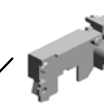
5.04533006N (x6) TAPPING SCREW -  
M3X6  
3.04513006N (x2) TAPPING SCREW -  
3X6  
21.M0124202 (x2) LEVER:PRESSURE  
4.04513008N (x4) TAPPING SCREW -  
M3X8  
7.07200040E (x2) RETAINING RING -  
M4



8.08025318  
(x4) (EU/AA/NA/CHN):BI  
NDING HEAD TAPP  
ING SCREW:ES:3X  
10



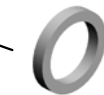
20.M0124186  
COVER:LEFT UPP  
ER:ASS'Y



22.M0124204  
LEVER:LEFT:FRAM  
E:FUSING



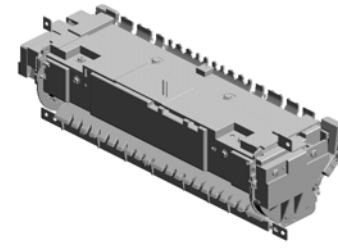
16.M0124055  
(x2) RADIAL BALL BEA  
RING:35X47X7



15.M0124053  
GEAR:HOT ROLLE  
R



U008\_S001  
(EU/AA):FUSING UNIT:ASS'Y



49.M2874031  
(EU/AA):FUSING UNIT:ASSY

42.M0124287 COVER:RIGHT UPPER:FUSING  
39.M0124281 (x2) RETAINING RINGS-HOT ROLLER  
32.M0124223 THERMAL INSULATING BUSHING:HOT ROLLER  
23.M0124205 LEVER:RIGHT:FRAME:FUSING  
43.M0124292 FUSING COVER:UPPER

25.M0124211 PLATE NUT:HEATER

26.M0124212 FUSING ENTRANCE GUIDE PLATE:UPPER

35.M0124266 COVER:RIGHT LOWER:FUSING

31.M0124220 HOT ROLLER

40.M0124284 LEVER:PRESSURE:LEFT

24.M0124208 (x3) BRACKET:GATE PLATE

27.M0124213 (x2) BUSHING:PRESSURE ROLLER

37.M0124276 COVER:LEFT:LOWER:FUSING

28.M0124215 GUIDE PLATE:EXIT

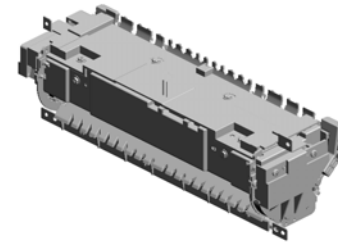
41.M0124285 LEVER:PRESSURE:RIGHT

34.M0124253 PRESSURE ROLLER:DIA30  
38.M0124279 CLEANING ROLLER:ASSY  
30.M0124217 FUSING ENTRANCE GUIDE PLATE:LOWER  
33.M0124229 (x2) TENSION SPRING:FUSING:PRESSURE  
29.M0124216 (x2) TENSION SPRING:FUSING:GUIDE PLATE

U001	U002	U003	U004	U005	U006	U007	U008	U009	U010	U011	U012	U013
------	------	------	------	------	------	------	------	------	------	------	------	------

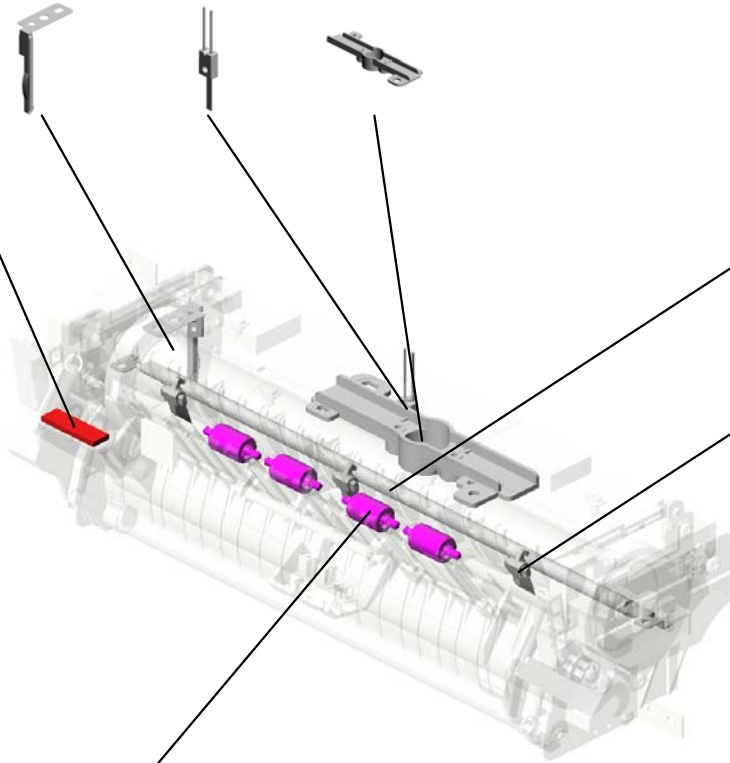
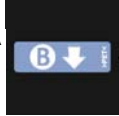
U008\_S001  
(EU/AA):FUSING UNIT:ASS'Y

45.M0124295 57.M2874263 56.M2874234  
GROUND PLATE:ASS'Y THERMISTOR HOUSING:THERM  
OSTAT:ASS'Y



49.M2874031  
(EU/AA):FUSING U  
NIT:ASS'Y

46.M0124603  
DECAL:GUIDE PLA  
TE:B



54.M2874221  
(EU/AA/CHN):HEAT  
ER:700W:220V:INF  
RARED

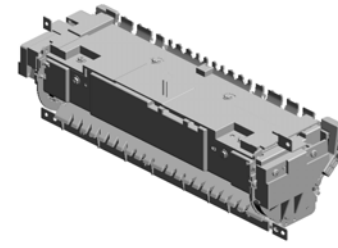
52.M2874206  
(x3)  
STRIPPER PAWLS

44.M0124293  
(x4)  
EXIT ROLLER:EXIT  
:FUSING

U001	U002	U003	U004	U005	U006	U007	U008	U009	U010	U011	U012	U013
------	------	------	------	------	------	------	------	------	------	------	------	------



U008\_S002  
(NA):FUSING UNIT:ASS'Y



48.M2874030  
(NA):FUSING UNIT:  
ASS'Y

- 11.AA143520 (x7) SHOULDER SCREW - M3
- 9.08046127 (x4) HEXAGONAL BOLT :DOUBLE SCREW: M3X8
- 10.09543010N SCREW:POLISHED ROUND/SPRING:M 3X10
- 13.AW110116 THERMOSTAT
- 18.M0124120 (x3) TENSION SPRING: PICKOFF PAWL

1.03603006N  
(x11)  
SCREW - M3X6



14.G1274328  
DECAL - HIGH TEMPERATURE



19.M0124135  
FEELER:PAPER FEED SENSOR



17.M0124109  
SPRING:FEELER:EXIT



12.AW020198  
PHOTOINTERRUPTOR:LG2A14NL1

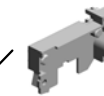


- 5.04533006N (x6) TAPPING SCREW - M3X6
- 3.04513006N (x2) TAPPING SCREW - 3X6
- 21.M0124202 (x2) LEVER:PRESSURE
- 7.07200040E (x2) RETAINING RING - M4
- 4.04513008N (x4) TAPPING SCREW - M3X8

8.08025318  
(x4)  
(EU/AA/NA/CHN):BINDING HEAD TAPPING SCREW:ES:3X10



20.M0124186  
COVER:LEFT UPPER:ASS'Y



22.M0124204  
LEVER:LEFT:FRAME:FUSING



16.M0124055  
(x2)  
RADIAL BALL BEARING:35X47X7

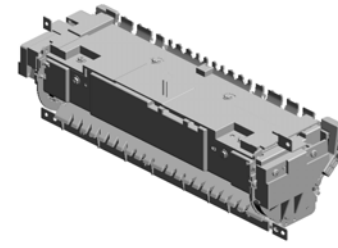


15.M0124053  
GEAR:HOT ROLLER





U008\_S002  
(NA):FUSING UNIT:ASS'Y



48.M2874030  
(NA):FUSING UNIT:  
ASS'Y

42.M0124287 COVER:RIGHT UP  
PER:FUSING  
39.M0124281 (x2)  
RETAINING RINGS  
-C:HOT ROLLER  
32.M0124223 THERMAL INSULA  
TING BUSHING:HO  
T ROLLER  
23.M0124205 LEVER:RIGHT:FRA  
ME:FUSING  
43.M0124292 FUSING COVER:U  
PPER

25.M0124211  
PLATE NUT:HEATE  
R

35.M0124266  
COVER:RIGHT LO  
WER:FUSING

40.M0124284  
LEVER:PRESSURE  
:LEFT

27.M0124213  
(x2)  
BUSHING:PRESSU  
RE ROLLER

28.M0124215  
GUIDE PLATE:EXIT

34.M0124253  
PRESSURE ROLLE  
R:DIA30

38.M0124279  
CLEANING ROLLE  
R:ASS'Y

30.M0124217  
FUSING ENTRANC  
E GUIDE PLATE:LO  
WER

33.M0124229  
(x2)  
TENSION SPRING:  
FUSING:PRESSUR  
E

29.M0124216  
(x2)  
TENSION SPRING:  
FUSING:GUIDE PL  
ATE

26.M0124212  
FUSING ENTRANC  
E GUIDE PLATE:U  
PPER

31.M0124220  
HOT ROLLER

24.M0124208  
(x3)  
BRACKET:GATE P  
AWL

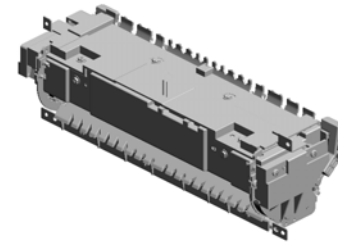
37.M0124276  
COVER:LEFT:LOW  
ER:FUSING

41.M0124285  
LEVER:PRESSURE  
:RIGHT

U001	U002	U003	U004	U005	U006	U007	U008	U009	U010	U011	U012	U013
------	------	------	------	------	------	------	------	------	------	------	------	------

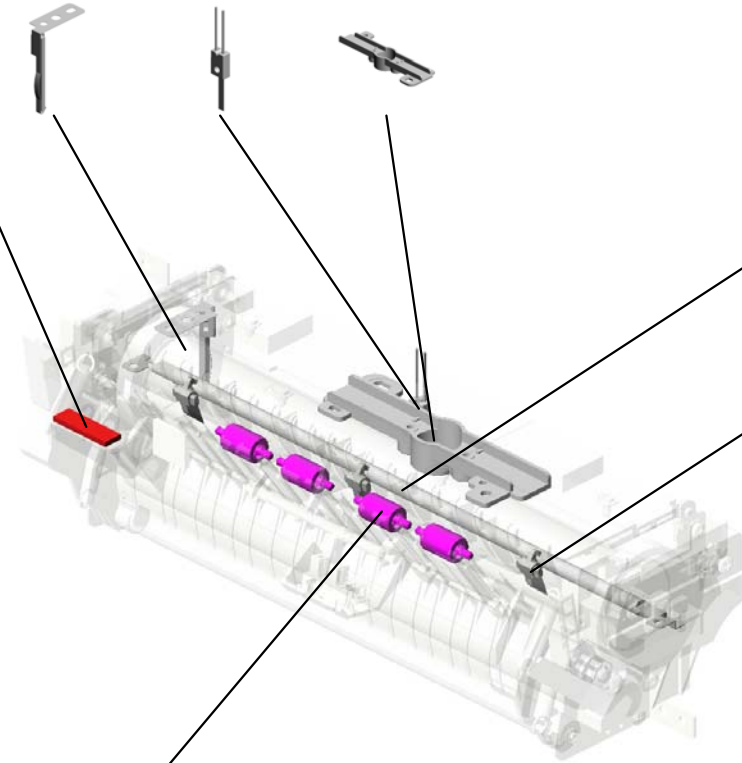
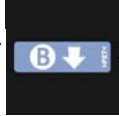
U008\_S002  
(NA):FUSING UNIT:ASS'Y

45.M0124295 57.M2874263 56.M2874234  
GROUND PLATE:ASS'Y THERMISTOR HOUSING:THERM  
OSTAT:ASS'Y



48.M2874030  
(NA):FUSING UNIT:  
ASS'Y

46.M0124603  
DECAL:GUIDE PLATE:B



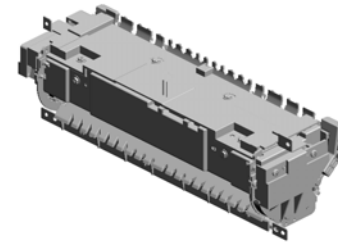
53.M2874220  
(NA):HEATER:700  
W:120V:INFRARED

52.M2874206  
(x3)  
STRIPPER PAWLS

44.M0124293  
(x4)  
EXIT ROLLER:EXIT  
:FUSING

U001	U002	U003	U004	U005	U006	U007	U008	U009	U010	U011	U012	U013
------	------	------	------	------	------	------	------	------	------	------	------	------

U008\_S003  
(TWN):FUSING UNIT:ASS'Y



51.M2874049  
(TWN):FUSING UNIT:ASS'Y

- 11.AA143520 (x7) SHOULDER SCREW - M3
- 9.08046127 (x4) HEXAGONAL BOLT :DOUBLE SCREW: M3X8
- 10.09543010N SCREW:POLISHED ROUND/SPRING:M 3X10
- 13.AW110116 THERMOSTAT
- 18.M0124120 (x3) TENSION SPRING: PICKOFF PAWL

1.03603006N (x11) SCREW - M3X6



14.G1274328 DECAL - HIGH TEMPERATURE



19.M0124135 FEELER:PAPER FEED SENSOR



17.M0124109 SPRING:FEELER:EXIT



12.AW020198 PHOTOINTERRUPTOR:LG2A14NL1

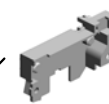


- 5.04533006N (x6) TAPPING SCREW - M3X6
- 3.04513006N (x2) TAPPING SCREW - 3X6
- 21.M0124202 (x2) LEVER:PRESSURE
- 7.07200040E (x2) RETAINING RING - M4
- 4.04513008N (x4) TAPPING SCREW - M3X8

6.04593010N (x4) (TWN):BINDING HEAD TAPPING SCREW:3X10



20.M0124186 COVER:LEFT UPPER:ASS'Y



22.M0124204 LEVER:LEFT:FRAME:FUSING



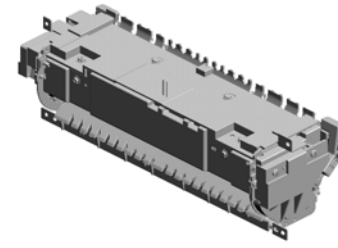
16.M0124055 (x2) RADIAL BALL BEARING:35X47X7



15.M0124053 GEAR:HOT ROLLER



U008\_S003  
(TWN):FUSING UNIT:ASS'Y



51.M2874049  
(TWN):FUSING UNIT:ASS'Y

- 42.M0124287 COVER:RIGHT UPPER:FUSING
- 39.M0124281 (x2) RETAINING RINGS-HOT ROLLER
- 32.M0124223 THERMAL INSULATING BUSHING:HOTT ROLLER
- 23.M0124205 LEVER:RIGHT:FRAM E:FUSING
- 43.M0124292 FUSING COVER:UPPER

25.M0124211 PLATE NUT:HEATER

35.M0124266 COVER:RIGHT LOWER:FUSING

40.M0124284 LEVER:PRESSURE:LEFT

27.M0124213 (x2) BUSHING:PRESSURE ROLLER

28.M0124215 GUIDE PLATE:EXIT

34.M0124253 PRESSURE ROLLER:DIA30

38.M0124279 CLEANING ROLLER:ASS'Y

30.M0124217 FUSING ENTRANCE GUIDE PLATE:LOWER

33.M0124229 (x2) TENSION SPRING:FUSING:PRESSURE

29.M0124216 (x2) TENSION SPRING:FUSING:GUIDE PLATE

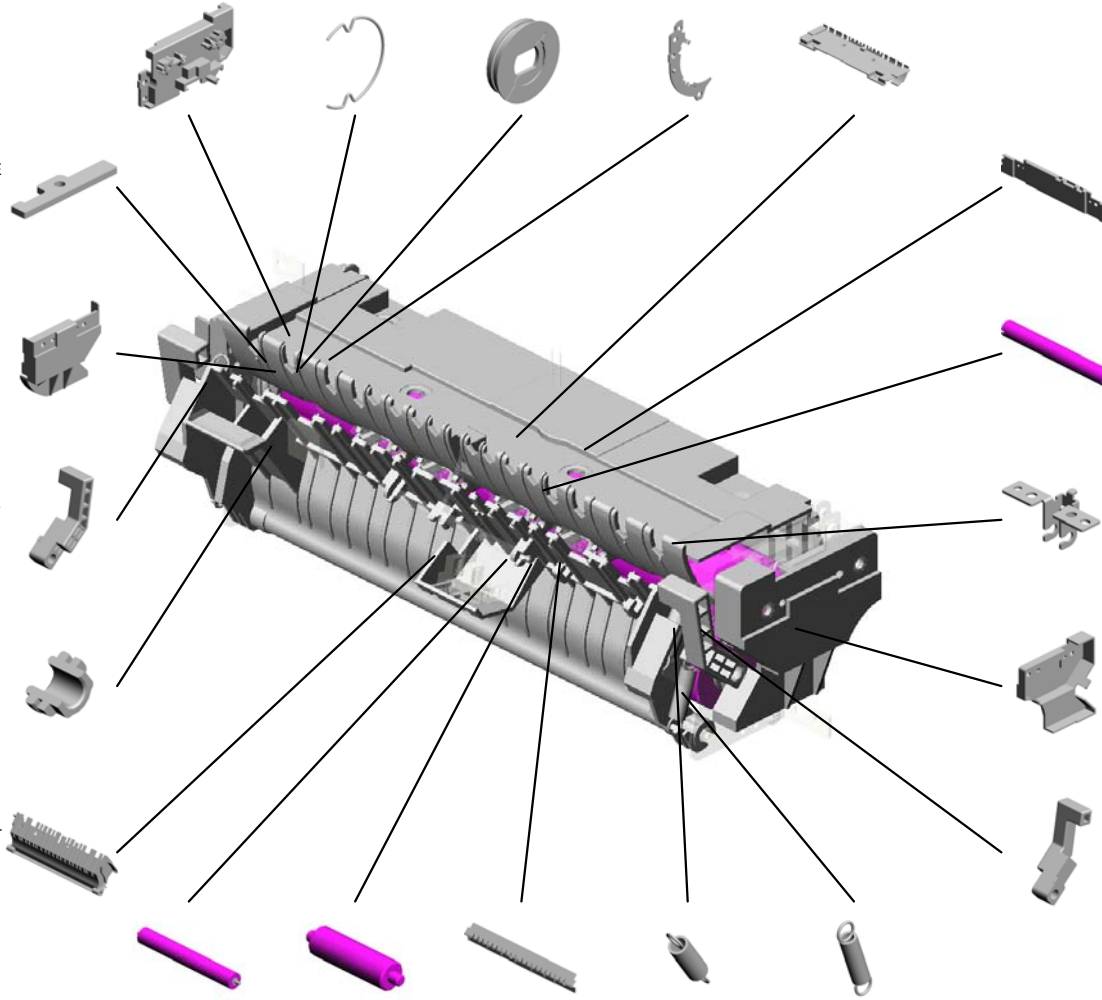
26.M0124212 FUSING ENTRANCE GUIDE PLATE:UPPER

31.M0124220 HOT ROLLER

24.M0124208 (x3) BRACKET:GATE PLATE

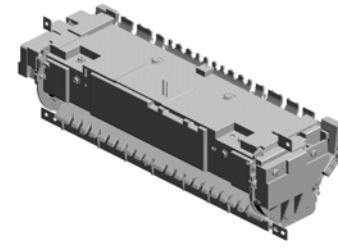
37.M0124276 COVER:LEFT:LOWER:FUSING

41.M0124285 LEVER:PRESSURE:RIGHT



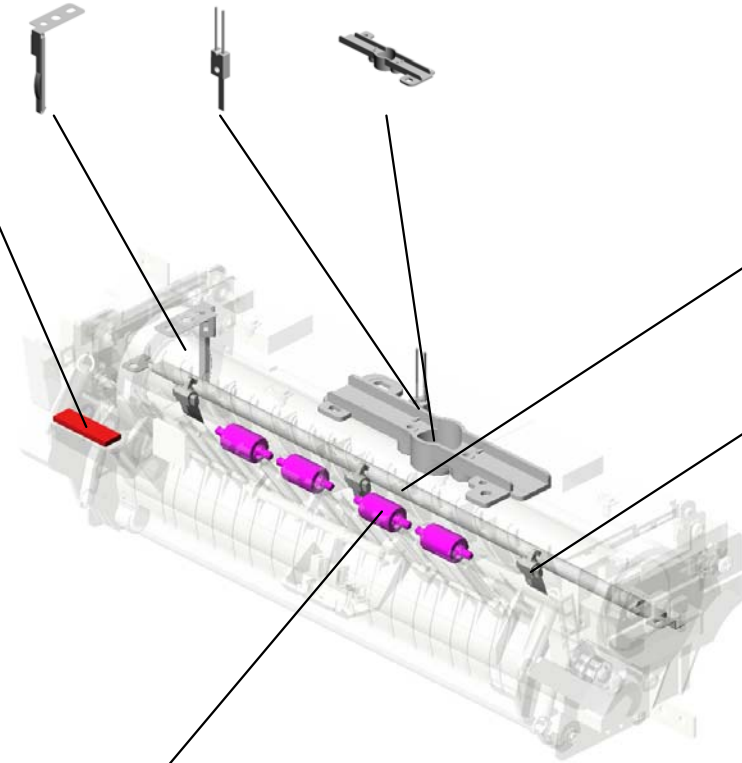
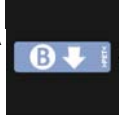
U008\_S003  
(TWN):FUSING UNIT:ASS'Y

45.M0124295 57.M2874263 56.M2874234  
GROUND PLATE:ASS'Y THERMISTOR HOUSING:THERM  
OSTAT:ASS'Y



51.M2874049  
(TWN):FUSING UNIT:ASS'Y

46.M0124603  
DECAL:GUIDE PLATE:B



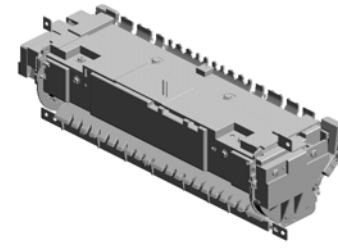
55.M2874229  
(TWN):HEATER:700W:110V

52.M2874206  
(x3)  
STRIPPER PAWLS

44.M0124293  
(x4)  
EXIT ROLLER:EXIT:FUSING

U001	U002	U003	U004	U005	U006	U007	U008	U009	U010	U011	U012	U013
------	------	------	------	------	------	------	------	------	------	------	------	------

U008\_S004  
(CHN):FUSING UNIT:ASS'Y



50.M2874033  
(CHN):FUSING UNIT:ASS'Y

- 11.AA143520 (x7) SHOULDER SCREW - M3
- 10.09543010N SCREW:POLISHED ROUND/SPRING:M 3X10
- 13.AW110116 THERMOSTAT
- 9.08046127 (x4) HEXAGONAL BOLT :DOUBLE SCREW: M3X8
- 18.M0124120 (x3) TENSION SPRING: PICKOFF PAWL

1.03603006N (x11) SCREW - M3X6



14.G1274328 DECAL - HIGH TEMPERATURE



19.M0124135 FEELER:PAPER FEED SENSOR



17.M0124109 SPRING:FEELER:EXIT



12.AW020198 PHOTOINTERRUPTOR:LG2A14NL1

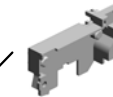


- 5.04533006N (x6) TAPPING SCREW - M3X6
- 3.04513006N (x2) TAPPING SCREW - 3X6
- 21.M0124202 (x2) LEVER:PRESSURE
- 7.07200040E (x2) RETAINING RING - M4
- 4.04513008N (x4) TAPPING SCREW - M3X8

8.08025318 (x4) (EU/AA/NA/CHN):BIENDING HEAD TAPPING SCREW:ES:3X10



20.M0124186 COVER:LEFT UPPER:ASS'Y



22.M0124204 LEVER:LEFT:FRAME:FUSING



16.M0124055 (x2) RADIAL BALL BEARING:35X47X7

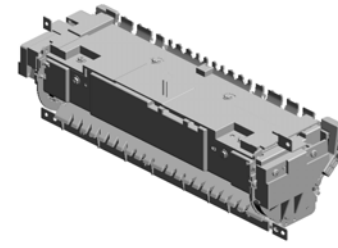


15.M0124053 GEAR:HOT ROLLER





U008\_S004  
(CHN):FUSING UNIT:ASS'Y



50.M2874033  
(CHN):FUSING UNIT:ASS'Y

42.M0124287 COVER:RIGHT UPPER:FUSING  
39.M0124281 (x2) RETAINING RINGS-HOT ROLLER  
32.M0124223 THERMAL INSULATING BUSHING:HOT ROLLER  
23.M0124205 LEVER:RIGHT:FRACTIONAL ME:FUSING  
43.M0124292 FUSING COVER:UPPER

25.M0124211 PLATE NUT:HEATER

26.M0124212 FUSING ENTRANCE GUIDE PLATE:UPPER

35.M0124266 COVER:RIGHT LOWER:FUSING

31.M0124220 HOT ROLLER

40.M0124284 LEVER:PRESSURE:LEFT

24.M0124208 (x3) BRACKET:GATE PLATE

27.M0124213 (x2) BUSHING:PRESSURE ROLLER

37.M0124276 COVER:LEFT:LOWER:FUSING

28.M0124215 GUIDE PLATE:EXIT

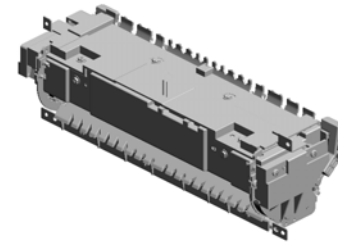
41.M0124285 LEVER:PRESSURE:RIGHT

34.M0124253 PRESSURE ROLLER:DIA30  
38.M0124279 CLEANING ROLLER:ASS'Y  
30.M0124217 FUSING ENTRANCE GUIDE PLATE:LOWER  
33.M0124229 (x2) TENSION SPRING:FUSING:PRESSURE  
29.M0124216 (x2) TENSION SPRING:FUSING:GUIDE PLATE

U001	U002	U003	U004	U005	U006	U007	U008	U009	U010	U011	U012	U013
------	------	------	------	------	------	------	------	------	------	------	------	------

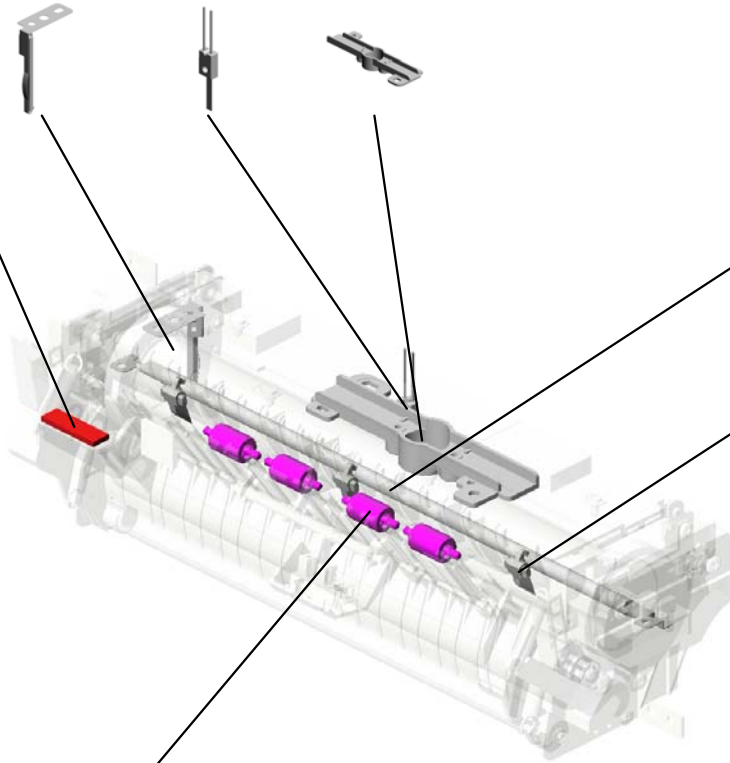
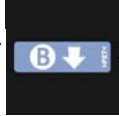
U008\_S004  
(CHN):FUSING UNIT:ASS'Y

45.M0124295 57.M2874263 56.M2874234  
GROUND PLATE:ASS'Y THERMISTOR HOUSING:THERM  
OSTAT:ASS'Y



50.M2874033  
(CHN):FUSING UNIT:ASS'Y

46.M0124603  
DECAL:GUIDE PLATE:B



54.M2874221  
(EU/AA/CHN):HEATER:700W:220V:INFRARED

52.M2874206  
(x3)  
STRIPPER PAWLS

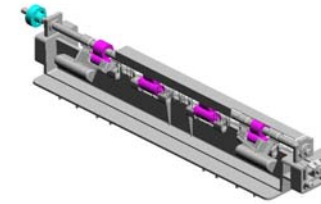
44.M0124293  
(x4)  
EXIT ROLLER:EXIT:FUSING

U001	U002	U003	U004	U005	U006	U007	U008	U009	U010	U011	U012	U013
------	------	------	------	------	------	------	------	------	------	------	------	------



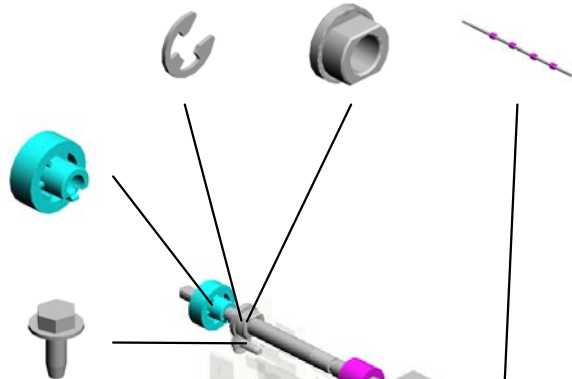
# U009 PAPER EXIT

2.07200040E (x2) RETAINING RING - M4  
 6.M0124488 (x2) BUSHING:DIA6XDI A10X6  
 8.M0134470 EXIT ROLLER:DUP LEX



7.M0134455 GEAR:DRIVE:EXIT ROLLER

1.04503008N (x2) TAPPING SCREW - M3X8

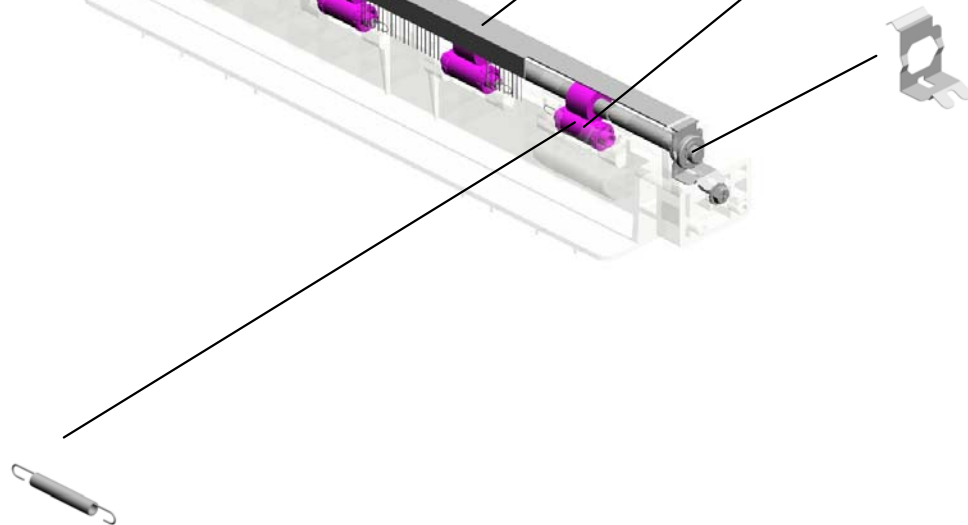


5.M0124458 DISCHARGE BRUSH:EXIT:ASSY DRAWING

3.M0124453 (x4) EXIT ROLLER

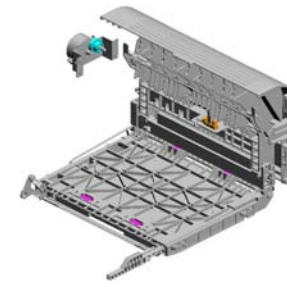
9.M1544499 GROUND PLATE:EXIT ROLLER

4.M0124454 (x4) SPRING:EXIT ROLLER:EXIT



U001	U002	U003	U004	U005	U006	U007	U008	U009	U010	U011	U012	U013
------	------	------	------	------	------	------	------	------	------	------	------	------

# U010 DUPLEX



- 10.M0134610 GEAR:DRIVE:DUPLEX
- 3.04533006N (x2) TAPPING SCREW - M3X6
- 6.08050104 (x7) RETAINING RINGS -E:SILENCER:DIA4
- 4.04543006Q (x4) TAPPING SCREW - M3X6
- 16.M0134661 STOPPER:TRANSPORT SUB-UNIT:DUPLEX

- 11.M0134611 BRACKET:DRIVE:DUPLEX:ASSY

- 2.04503010N (x2) TAPPING SCREW - M3X10

- 1.04503008N (x4) TAPPING SCREW - M3X8

- 7.08050106 RETAINING RINGS -E:SILENCER:DIA6

- 15.M0134635 SPRING:OPEN AND CLOSE:RIGHT

- 12.M0134622 (x4) EXIT ROLLER:DUPLEX
- 14.M0134624 (x2) SPRING:EXIT:NO.2
- 9.M0124488 (x4) BUSHING:DIA6XDIA10X6
- 19.M0134666 SHAFT:COVER:SWITCHBACK:OPEN AND CLOSE
- 5.07200040E (x2) RETAINING RING - M4

- 18.M0134664 GUIDE PLATE:VERTICAL TRANSPORT:UPPER

- 20.M0134667 SPRING:COVER:SWITCHBACK:OPEN AND CLOSE

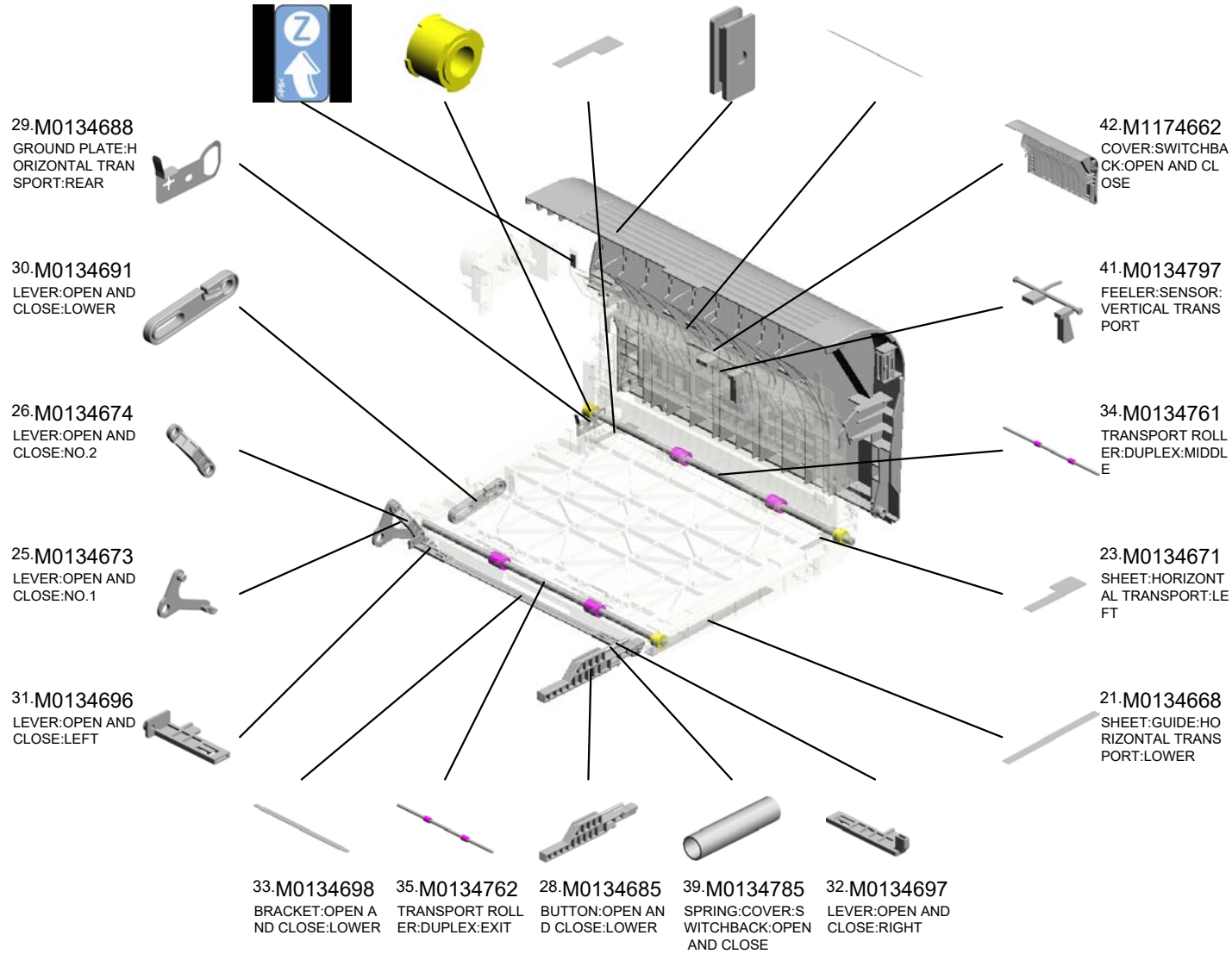
- 8.AW020198 PHOTOINTERRUPTOR:LG2A14NL1

- 17.M0134663 GUIDE PLATE:VERTICAL TRANSPORT:LOWER

- 13.M0134623 (x2) SPRING:EXIT

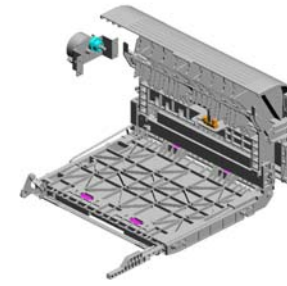
# U010 DUPLEX

- 40.M0134794 DECAL:GUIDE PLATE:VERTICAL TRANSPORT:UPPER
- 36.M0134765 (x3) PULLEY:TRANSPORT
- 24.M0134672 SHEET:HORIZONTAL TRANSPORT:RIGHT
- 22.M0134669 (x2) MAGNET CATCH:ASSY
- 27.M0134684 SHEET:DUPLEX



# U010 DUPLEX

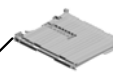
43.M1540265 STEPPER MOTOR  
 46.M2874719 (x2) PIN:GUIDE:TRANSPORT  
 44.M1544694 GUIDE:HORIZONTAL TRANSPORT:UPPER



48.M0134774  
**[B]**  
 TIMING BELT:DRIVE  
 201905-02 O/O



45.M1544695  
 GUIDE:HORIZONTAL TRANSPORT:LOWER



49.M0134776  
**[A]**  
 TIMING BELT:HORIZONTAL TRANSPORT  
 201905-01 O/O



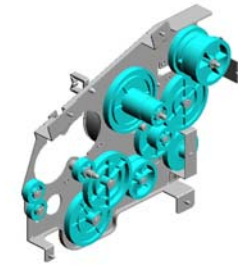
M0134771 <b>[A]</b> TIMING BELT:HORIZONTAL TRANSPORT 201905-01 O/O	M0134772 <b>[B]</b> TIMING BELT:DRIVE 201905-02 O/O

47.M2874895  
 (x4)  
 PIN:GUIDE:UPPER



# U011 MAIN DRIVE

9.M0121117 GEAR:DRIVE:DRUM  
2.04543006Q TAPPING SCREW - M3X6  
7.11050758 CLAMP:LWSM-030 6A  
8.G0521120 SPRING - PAPER EXIT RELEASE  
11.M0121120 GEAR:DRIVE:FUSION:NG:NO.3



5.11050197  
WIRE SADDLE



1.04513006N  
(x10)  
TAPPING SCREW - 3X6



12.M0121123  
GEAR:DRIVE:PAPER FEED:NO.3



16.M0121172  
GEAR:DRIVE:MANUAL FEED SECTION:NO.2



15.M0121171  
GEAR:DRIVE:MANUAL FEED SECTION:NO.1



6.11050568  
CLAMP:LWSS-0504



20.M1161122  
GEAR:DRIVE:PAPER FEED:NO.2



14.M0121150  
BRUSHLESS MOTOR:DC 36.7W



19.M1161121  
GEAR:DRIVE:PAPER FEED:NO.1



18.M1161118  
GEAR:DRIVE:FUSION:NG:NO.1



13.M0121128  
GEAR:DRIVE:FUSION:NG:NO.4



3.07200040E  
RETAINING RING - M4



10.M0121119  
GEAR:DRIVE:FUSION:NG:NO.2



4.08050104  
(x6)  
RETAINING RINGS - E.SILENCER:DIA4

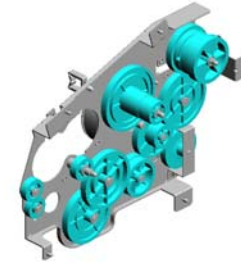


17.M0131178  
BRACKET:DRIVE:DUPLICATION

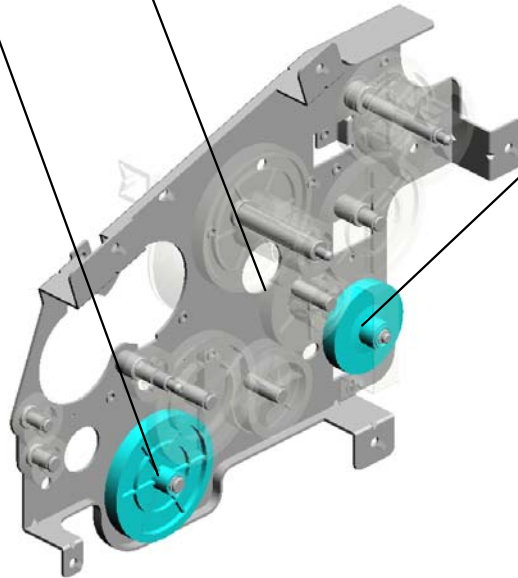


U011  
MAIN DRIVE

21.M1161124 23.M1541177  
GEAR:DRIVE:PAPE CASE:DRIVE:ASSY  
R FEED:NO.4



22.M1171136  
GEAR:DRIVE:DUPL  
EX SECTION



U001	U002	U003	U004	U005	U006	U007	U008	U009	U010	U011	U012	U013
------	------	------	------	------	------	------	------	------	------	------	------	------



# U012 ELECTRICAL

14.M2875003 PCB:WIFI  
201806-01 O/O

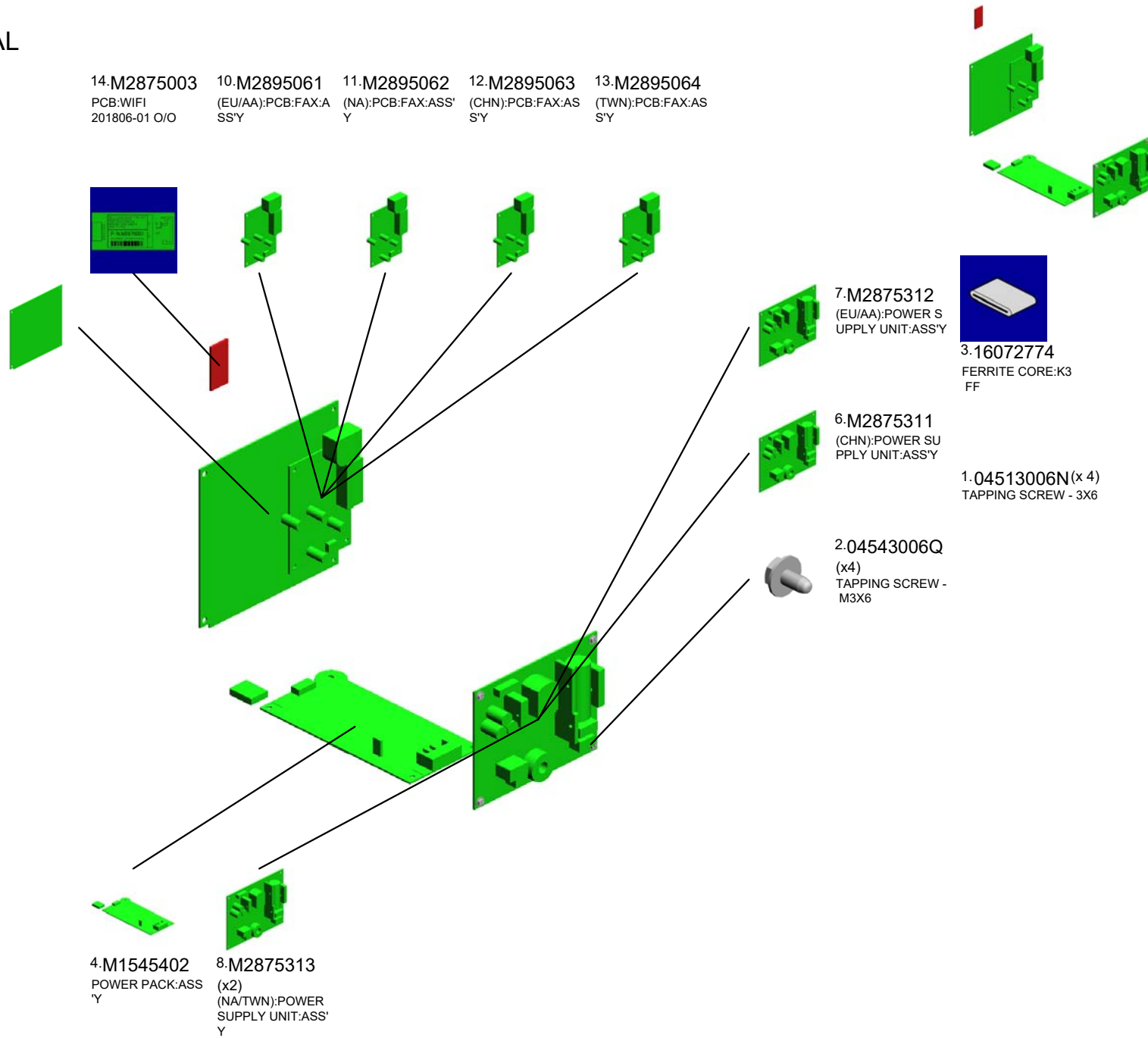
10.M2895061 (EU/AA):PCB:FAX:A  
SS'Y

11.M2895062 (NA):PCB:FAX:ASS'  
Y

12.M2895063 (CHN):PCB:FAX:AS  
S'Y

13.M2895064 (TWN):PCB:FAX:AS  
S'Y

9.M2895052  
PCB:ECBCTL:4IN1:  
ASS'Y



7.M2875312  
(EU/AA):POWER S  
UPPLY UNIT:ASS'Y

3.16072774  
FERRITE CORE:K3  
FF

6.M2875311  
(CHN):POWER SU  
PPLY UNIT:ASS'Y

1.04513006N(x 4)  
TAPPING SCREW - 3X6

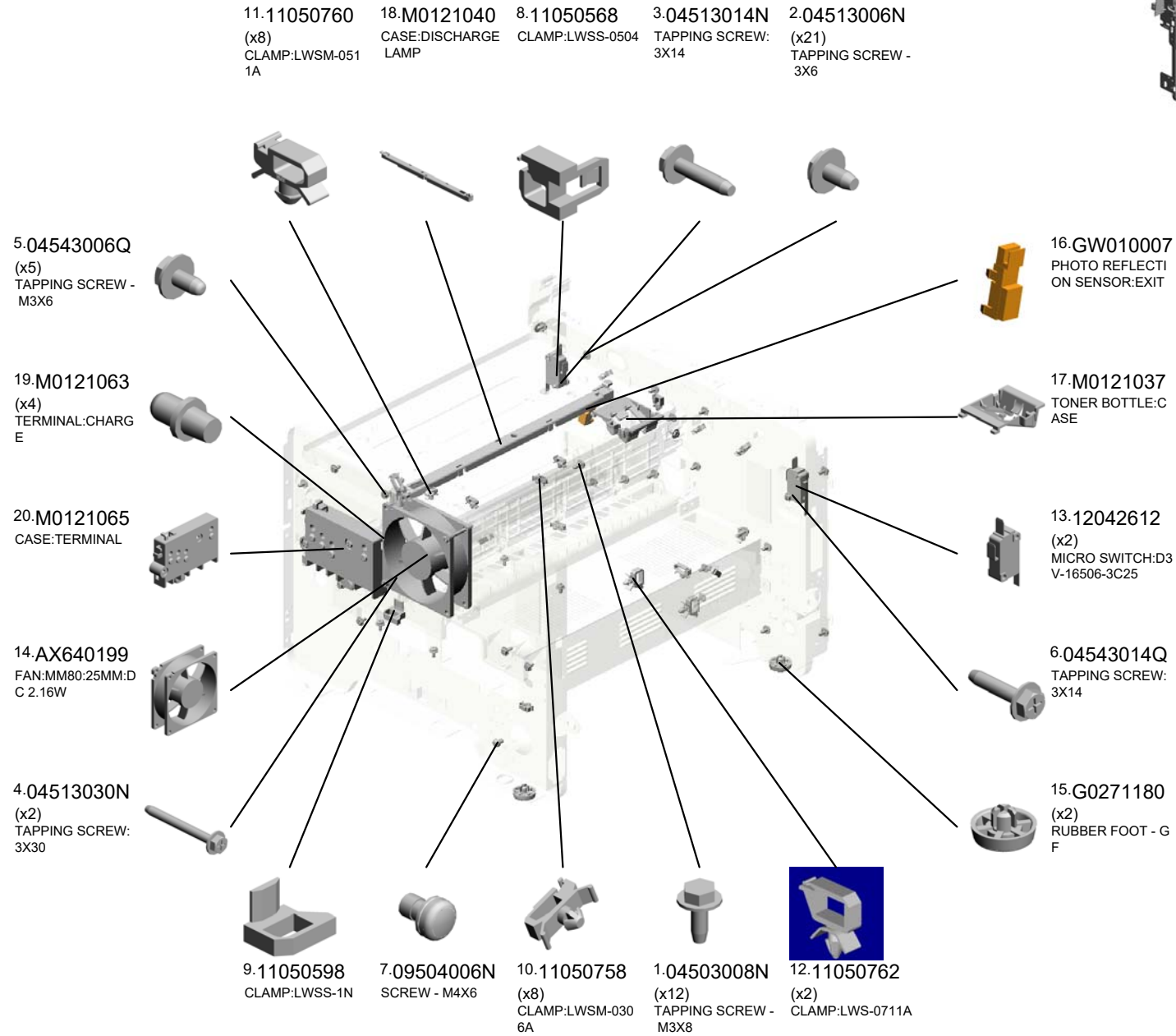
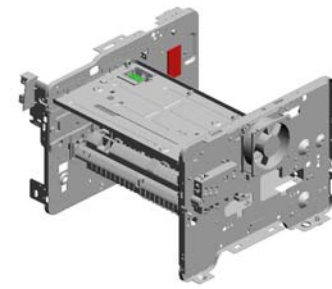
2.04543006Q  
(x4)  
TAPPING SCREW -  
M3X6

4.M1545402  
POWER PACK:ASS'  
Y

8.M2875313  
(x2)  
(NA/TWN):POWER  
SUPPLY UNIT:ASS'  
Y

U001	U002	U003	U004	U005	U006	U007	U008	U009	U010	U011	U012	U013
------	------	------	------	------	------	------	------	------	------	------	------	------

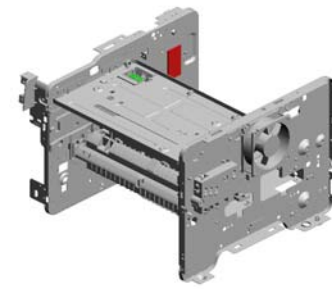
# U013 MAIN FRAME



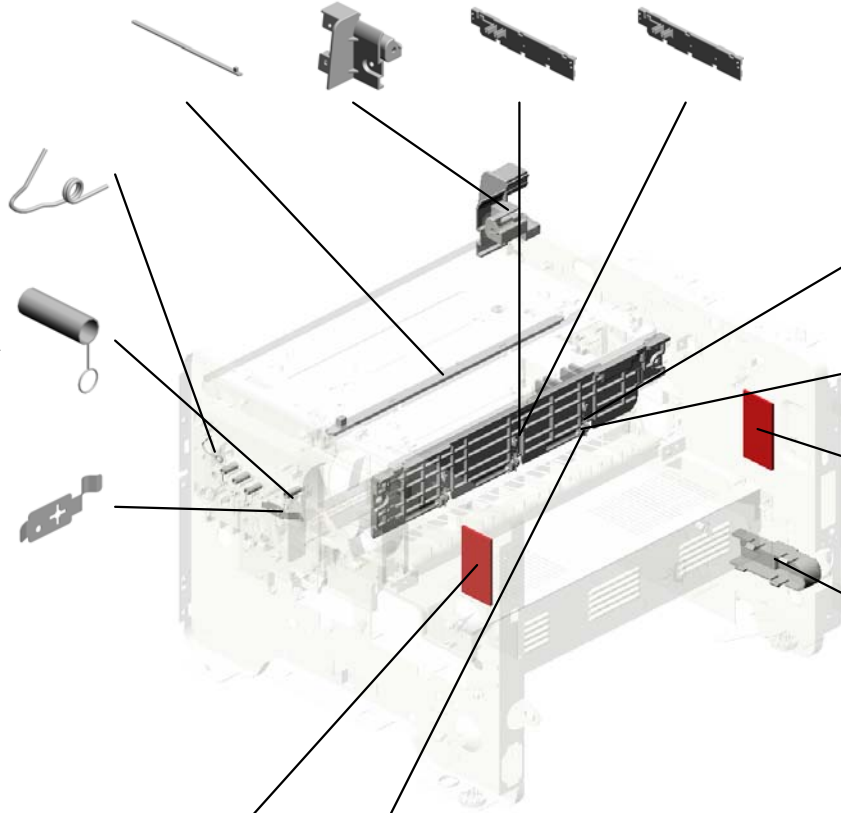


# U013 MAIN FRAME

30.M1542056 DISCHARGE LAMP  
 32.M2881089 CASE:USB  
 28.M0BB1100 (x2)  
 (EU/AA/NA)F(M0BD)  
 :HEAT INSULATING  
 G PLATE:FUSING:F  
 RONT:TYPE A  
 29.M1541099 (D289):HEAT INSU  
 LATING PLATE:FU  
 SING:FRONT:TYPE  
 A



22.M0121088  
 COIL SPRING:RAIL  
 :RIGHT



21.M0121066  
 (x4)  
 SPRING:TERMINAL  
 :CHARGE

33.M0121064  
 GROUND PLATE:O  
 PC

25.M0124120  
 (x3)  
 TENSION SPRING:  
 PICKOFF PAWL

24.M0121097  
 (x3)  
 SUPPORTER:PAPE  
 R:TRANSPORT

26.M0124601  
 DECAL:LEVER:EN  
 VELOPE:LEFT

31.M2871043  
 COVER:U CONVEY  
 ER BELT:DUPLEX

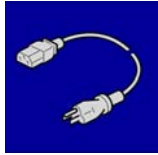


27.M0124602  
 DECAL:LEVER:EN  
 VELOPE:RIGHT

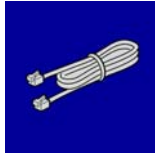


23.M0121089  
 (x3)  
 GUIDE:PAPER:LEA  
 DING EDGE

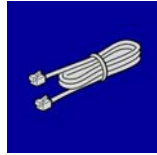
## ACCESSORIES



1.M11500478  
(TWN):POWER SUPPLY CODE:125V:  
15A



2.H4524105  
(x2)  
(EU/AA/CHN):MODULER CORD:6PIN-  
6PIN



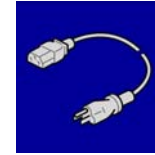
3.H5235350  
(x2)  
(NA/TWN):TELEPHONE CABLE



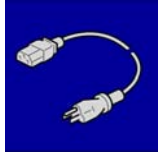
4.M0BD0431  
(x2)  
(EU/AA/NA):(M0BD):MODEL NAME PL  
ATE:SP325SFNW:



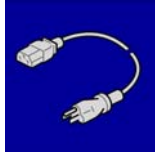
5.M1011301  
PLATE:LOGO:RIC



6.M1015799  
(CHN):POWER SUPPLY CORD



7.M1545697  
(NA):POWER SUPPLY CORD:125V:10  
A



8.M1545699  
(EU/AA):POWER SUPPLY CORD:250  
V:10A



9.M1560452  
(CHN):HOLDER:HAND SET



10.M1560462  
(CHN):HAND SET:SUB-ASSY



11.M2890431  
(M289):MODEL NAME PLATE:SP325S  
FNW

## Exclusive Parts

Number	Part Name	Group	ID
A1532117	ROLLER TERMINAL	U005	6
AA143520	SHOULDER SCREW - M3	U005	7
		U008_S001	11
		U008_S002	11
		U008_S003	11
		U008_S004	11
AG070514	MAGNET CATCH	U001	7
AW020198	PHOTOINTERRUPTOR:LG2A14NL 1	U005	8
		U008_S001	12
		U008_S002	12
		U008_S003	12
		U008_S004	12
AW110116	THERMOSTAT	U008_S001	13
		U008_S002	13
		U008_S003	13
		U008_S004	13
AX640199	FAN:MM80:25MM:DC 2.16W	U013	14
D1272514	ELECTROMAGNETIC CLUTCH:3.5 T:MANUAL FEED	U005	9
G0123050	SIDE FENCE GEAR	U005	10
G0201160	SNAP RING	U005	11
G0271180	RUBBER FOOT - GF	U013	15
G0292767	BY-PASS FEED COVER	U005	12
G0521120	SPRING - PAPER EXIT RELEASE	U011	8
G0521518	SPRING - LOCK LEVER	U001	8
G1022717	COVER:DC SOLENOID	U005	13
G1022789	STOPPER:PHOTOINTERRUPTOR	U005	14
G1272627	PAPER FEED ROLLER - MM32	U005	15
G1274328	DECAL - HIGH TEMPERATURE	U008_S001	14
		U008_S002	14
		U008_S003	14
		U008_S004	14
GA063084	COMPRESSION SPRING:AUXILIAR Y:SIDE FENCE	U005_S001	16
GF013001	BOTTOM PLATE PAD	U005	17
		U005_S001	17
GW010007	PHOTO REFLECTION SENSOR:EXI	U013	16

Number	Part Name	Group	ID
	T		
H4524105	(EU/AA/CHN):MODULER CORD:6PI N-6PIN	ACCESSORIES	2
H5235350	(NA/TWN):TELEPHONE CABLE	ACCESSORIES	3
M0121037	TONER BOTTLE:CASE	U013	17
M0121040	CASE:DISCHARGE LAMP	U013	18
M0121063	TERMINAL:CHARGE	U013	19
M0121064	GROUND PLATE:OPC	U013	33
M0121065	CASE:TERMINAL	U013	20
M0121066	SPRING:TERMINAL:CHARGE	U013	21
M0121088	COIL SPRING:RAIL:RIGHT	U013	22
M0121089	GUIDE:PAPER:LEADING EDGE	U013	23
M0121097	SUPPORTER:PAPER:TRANSPORT	U013	24
M0121117	GEAR:DRIVE:DRUM	U011	9
M0121119	GEAR:DRIVE:FUSING:NO.2	U011	10
M0121120	GEAR:DRIVE:FUSING:NO.3	U011	11
M0121123	GEAR:DRIVE:PAPER FEED:NO.3	U011	12
M0121128	GEAR:DRIVE:FUSING:NO.4	U011	13
M0121150	BRUSHLESS MOTOR:DC 36.7W	U011	14
M0121171	GEAR:DRIVE:MANUAL FEED SECT ION:NO.1	U011	15
M0121172	GEAR:DRIVE:MANUAL FEED SECT ION:NO.2	U011	16
M0122590	COIL SPRING:EARTH	U005_S001	18
M0122603	STOPPER:BASE PLATE	U005_S001	19
M0122604	SPRING:RELEASE:TRAY BOTTOM PLATE	U005_S001	20
M0122605	FRICTION PAD:ADHESION	U005_S001	21
M0122612	COMPRESSION SPRING:TRAY BO TTOM PLATE	U005_S001	22
M0122613	COMPRESSION SPRING:SEPARAT ION	U005_S001	23
M0122631	CLOTH:EARTH:PAPER FEED	U005	24
M0122668	SHAFT:PAPER FEED:ASS'Y	U005	25
M0122673	RAIL:PAPER TRAY:RIGHT	U005	26
M0122701	ROLLER:INTERFACE:DRIVE	U005	27
M0122702	ROLLER:INTERFACE:DRIVEN	U005	28
M0122705	SPRING:ROLLER	U005	29

## Exclusive Parts

Number	Part Name	Group	ID
M0122711	BUSHING:REGISTRATION:DRIVEN :LEFT	U005	30
M0122715	GUIDE PLATE:TRANSPORT:UPPE R	U005	31
M0122718	REGISTRATION ROLLER:DRIVE	U005	32
M0122719	REGISTRATION ROLLER:DRIVEN	U005	33
M0122722	SPRING:ROLLER:REGISTRATION	U005	34
M0122723	FEELER:REGISTRATION:SENSOR	U005	35
M0122725	SPRING:FEELER:REGISTRATION	U005	36
M0122730	BUSHING:REGISTRATION:DRIVEN :RIGHT	U005	37
M0122741	GROUND PLATE:DRIVE:REGISTR ATION ROLLER	U005	38
M0122742	GROUND PLATE:DRIVEN:REGIST RATION ROLLER	U005	39
M0122743	DECAL:GUIDE PLATE:TRANSPOR T:UPPER	U005	40
M0122744	GUIDE:REGISTRATION	U005	41
M0122745	GROUND PLATE:DRIVEN	U005	42
M0122753	BUSHING:ROLLER:DRIVEN	U005	43
M0122806	SHEET:GUIDE:MANUAL FEED SUB -UNIT	U005	44
M0122816	FRICTION PAD:HOLDER:MANUAL FEED:ASS'Y	U005	45
M0122824	FEELER:MANUAL FEED	U005	46
M0122830	MECHANICAL SPRING CLUTCH:M ANUAL FEED	U005	47
M0122833	DECAL:SIDE FENCE:MANUAL FEE D	U005	48
M0122859	GUIDE PLATE:UPPER:MANUAL FE ED	U005	49
M0122860	PAPER FEED ROLLER:MANUAL F EED	U005	50
M0122874	COMPRESSION SPRING:MANUAL FEED	U005	51
M0122880	COMPRESSION SPRING:SEPARAT ION	U005	52
M0124053	GEAR:HOT ROLLER	U008_S001	15

Number	Part Name	Group	ID
		U008_S002	15
		U008_S003	15
		U008_S004	15
M0124055	RADIAL BALL BEARING:35X47X7	U008_S001	16
		U008_S002	16
		U008_S003	16
		U008_S004	16
M0124109	SPRING:FEELER:EXIT	U008_S001	17
		U008_S002	17
		U008_S003	17
		U008_S004	17
M0124120	TENSION SPRING:PICKOFF PAWL	U008_S001	18
		U008_S002	18
		U008_S003	18
		U008_S004	18
		U013	25
M0124135	FEELER:PAPER FEED SENSOR	U008_S001	19
		U008_S002	19
		U008_S003	19
		U008_S004	19
M0124186	COVER:LEFT UPPER:ASS'Y	U008_S001	20
		U008_S002	20
		U008_S003	20
		U008_S004	20
M0124202	LEVER:PRESSURE	U008_S001	21
		U008_S002	21
		U008_S003	21
		U008_S004	21
M0124204	LEVER:LEFT:FRAME:FUSING	U008_S001	22
		U008_S002	22
		U008_S003	22
		U008_S004	22
M0124205	LEVER:RIGHT:FRAME:FUSING	U008_S001	23
		U008_S002	23
		U008_S003	23
		U008_S004	23
M0124208	BRACKET:GATE PAWL	U008_S001	24
		U008_S002	24

## Exclusive Parts

Number	Part Name	Group	ID
M0124211	PLATE NUT:HEATER	U008_S003	24
		U008_S004	24
		U008_S001	25
		U008_S002	25
M0124212	FUSING ENTRANCE GUIDE PLATE :UPPER	U008_S003	25
		U008_S004	25
		U008_S001	26
		U008_S002	26
M0124213	BUSHING:PRESSURE ROLLER	U008_S003	26
		U008_S004	26
		U008_S001	27
		U008_S002	27
M0124215	GUIDE PLATE:EXIT	U008_S003	27
		U008_S004	27
		U008_S001	28
		U008_S002	28
M0124216	TENSION SPRING:FUSING:GUIDE PLATE	U008_S003	28
		U008_S004	28
		U008_S001	29
		U008_S002	29
M0124217	FUSING ENTRANCE GUIDE PLATE :LOWER	U008_S003	29
		U008_S004	29
		U008_S001	30
		U008_S002	30
M0124220	HOT ROLLER	U008_S003	30
		U008_S004	30
		U008_S001	31
		U008_S002	31
M0124223	THERMAL INSULATING BUSHING: HOT ROLLER	U008_S003	31
		U008_S004	31
		U008_S001	32
		U008_S002	32
M0124229	TENSION SPRING:FUSING:PRESSURE	U008_S003	32
		U008_S004	32
		U008_S001	33
		U008_S002	33
		U008_S003	33
		U008_S004	33

Number	Part Name	Group	ID
M0124253	PRESSURE ROLLER:DIA30	U008_S001	34
		U008_S002	34
		U008_S003	34
		U008_S004	34
M0124266	COVER:RIGHT LOWER:FUSING	U008_S001	35
		U008_S002	35
		U008_S003	35
		U008_S004	35
M0124270	THERMAL INSULATING BUSHING: FUSING UNIT	U008	36
M0124276	COVER:LEFT:LOWER:FUSING	U008_S001	37
		U008_S002	37
		U008_S003	37
		U008_S004	37
M0124279	CLEANING ROLLER:ASS'Y	U008_S001	38
		U008_S002	38
		U008_S003	38
		U008_S004	38
M0124281	RETAINING RINGS-C:HOT ROLLER	U008_S001	39
		U008_S002	39
		U008_S003	39
		U008_S004	39
M0124284	LEVER:PRESSURE:LEFT	U008_S001	40
		U008_S002	40
		U008_S003	40
		U008_S004	40
M0124285	LEVER:PRESSURE:RIGHT	U008_S001	41
		U008_S002	41
		U008_S003	41
		U008_S004	41
M0124287	COVER:RIGHT UPPER:FUSING	U008_S001	42
		U008_S002	42
		U008_S003	42
		U008_S004	42
M0124292	FUSING COVER:UPPER	U008_S001	43
		U008_S002	43
		U008_S003	43
		U008_S004	43

## Exclusive Parts

Number	Part Name	Group	ID
M0124293	EXIT ROLLER:EXIT:FUSING	U008_S001	44
		U008_S002	44
		U008_S003	44
		U008_S004	44
M0124295	GROUND PLATE:ASS'Y	U008_S001	45
		U008_S002	45
		U008_S003	45
		U008_S004	45
M0124453	EXIT ROLLER	U009	3
M0124454	SPRING:EXIT ROLLER:EXIT	U009	4
M0124458	DISCHARGE BRUSH:EXIT:ASS'Y DRAWING	U009	5
M0124488	BUSHING:DIA6XDIA10X6	U005	53
		U009	6
		U010	9
M0124601	DECAL:LEVER:ENVELOPE:LEFT	U013	26
M0124602	DECAL:LEVER:ENVELOPE:RIGHT	U013	27
M0124603	DECAL:GUIDE PLATE:B	U008_S001	46
		U008_S002	46
		U008_S003	46
		U008_S004	46
M0124699	DECAL:WARNING (HIGH TEMPERATURE):FRONT	U008	47
M0126252	BUSHING:TRANSFER ROLLER:RIGHT	U007	1
M0126254	SPRING:TRANSFER ROLLER	U007	2
M0126255	GEAR:TRANSFER ROLLER	U007	3
M0126256	ROLLER:POSITIONING:TRANSFER ROLLER	U007	4
M0126260	COVER:ELECTRODE PLATE	U007	5
M0131178	BRACKET:DRIVE:DUPLEX	U011	17
M0134455	GEAR:DRIVE:EXIT ROLLER	U009	7
M0134470	EXIT ROLLER:DUPLEX	U009	8
M0134610	GEAR:DRIVE:DUPLEX	U010	10
M0134611	BRACKET:DRIVE:DUPLEX:ASS'Y	U010	11
M0134622	EXIT ROLLER:DUPLEX	U010	12
M0134623	SPRING:EXIT	U010	13
M0134624	SPRING:EXIT:NO.2	U010	14

Number	Part Name	Group	ID
M0134635	SPRING:OPEN AND CLOSE:RIGHT	U010	15
M0134661	STOPPER:TRANSPORT SUB-UNIT:DUPLEX	U010	16
M0134663	GUIDE PLATE:VERTICAL TRANSPORT:LOWER	U010	17
M0134664	GUIDE PLATE:VERTICAL TRANSPORT:UPPER	U010	18
M0134666	SHAFT:COVER:SWITCHBACK:OPEN AND CLOSE	U010	19
M0134667	SPRING:COVER:SWITCHBACK:OPEN AND CLOSE	U010	20
M0134668	SHEET:GUIDE:HORIZONTAL TRANSPORT:LOWER	U010	21
M0134669	MAGNET CATCH:ASS'Y	U010	22
M0134671	SHEET:HORIZONTAL TRANSPORT:LEFT	U010	23
M0134672	SHEET:HORIZONTAL TRANSPORT:RIGHT	U010	24
M0134673	LEVER:OPEN AND CLOSE:NO.1	U010	25
M0134674	LEVER:OPEN AND CLOSE:NO.2	U010	26
M0134684	SHEET:DUPLEX	U010	27
M0134685	BUTTON:OPEN AND CLOSE:LOWER	U010	28
M0134688	GROUND PLATE:HORIZONTAL TRANSPORT:REAR	U010	29
M0134691	LEVER:OPEN AND CLOSE:LOWER	U010	30
M0134696	LEVER:OPEN AND CLOSE:LEFT	U010	31
M0134697	LEVER:OPEN AND CLOSE:RIGHT	U010	32
M0134698	BRACKET:OPEN AND CLOSE:LOWER	U010	33
M0134761	TRANSPORT ROLLER:DUPLEX:MIDDLE	U010	34
M0134762	TRANSPORT ROLLER:DUPLEX:EXIT	U010	35
M0134765	PULLEY:TRANSPORT	U010	36
<b>M0134774</b>	<b>TIMING BELT:DRIVE</b>	<b>U010</b>	<b>48</b>
<b>M0134776</b>	<b>TIMING BELT:HORIZONTAL TRANSPORT</b>	<b>U010</b>	<b>49</b>

## Exclusive Parts

Number	Part Name	Group	ID
M0134785	SPRING:COVER:SWITCHBACK:OPEN AND CLOSE	U010	39
M0134794	DECAL:GUIDE PLATE:VERTICAL TRANSPORT:UPPER	U010	40
M0134797	FEELER:SENSOR:VERTICAL TRANSPORT	U010	41
M0752610	COMPRESSION SPRING:LOCK:SIDE FENCE	U005_S001	54
M0BB1100	(EU/AA/NA):(M0BD):HEAT INSULATING PLATE:FUSING:FRONT:TYPE A	U013	28
M0BD0431	(EU/AA/NA):(M0BD):MODEL NAME PLATE:SP325SFNW:	ACCESSORIES	4
M1011301	PLATE:LOGO:RIC	ACCESSORIES	5
M1015799	(CHN):POWER SUPPLY CORD	ACCESSORIES	6
M1016250	TRANSFER ROLLER	U007	6
M1016259	ELECTRODE PLATE:SEPARATION	U007	7
M1092584	PRESSURE PLATE:SIDE FENCE:LEFT	U005_S001	55
M1092589	LEVER:LOCK:SIDE FENCE	U005_S001	56
M1092592	PAWL:LOCK:SIDE FENCE	U005_S001	57
M1161118	GEAR:DRIVE:FUSING:NO.1	U011	18
M1161121	GEAR:DRIVE:PAPER FEED:NO.1	U011	19
M1161122	GEAR:DRIVE:PAPER FEED:NO.2	U011	20
M1161124	GEAR:DRIVE:PAPER FEED:NO.4	U011	21
M1162672	RAIL:PAPER TRAY:LEFT	U005	58
M1171136	GEAR:DRIVE:DUPLIX SECTION	U011	22
M1174662	COVER:SWITCHBACK:OPEN AND CLOSE	U010	42
M1180501	SPEAKER:M118	U001	9
M1341382	RAIL:SCANNER:OPEN AND CLOSE	U001	10
M1341386	RAIL:STOPPER:SCANNER:OPEN AND CLOSE	U001	11
M1540265	STEPPER MOTOR	U010	43
M1541099	(D289):HEAT INSULATING PLATE:FUSING:FRONT:TYPE A	U013	29
M1541177	CASE:DRIVE:ASS'Y	U011	23
M1542056	DISCHARGE LAMP	U013	30
M1542616	LEVER:PAPER VOLUME SENSOR	U005_S001	59

Number	Part Name	Group	ID
M1542618	DECAL:PAPER TRAY:FRONT	U005_S001	60
M1542629	COVER:PAPER TRAY:MIDDLE	U005_S001	61
M1542640	COVER:PAPER TRAY:LEFT	U005_S001	62
M1542641	COVER:PAPER TRAY:RIGHT	U005_S001	63
M1542805	GUIDE PLATE:MANUAL FEED:LOWER	U005	64
M1542815	DECAL:FEED PAPER AGAIN:PREVENTION	U005	65
M1542831	DC SOLENOID:9.6W:24V	U005	66
M1542879	EXTENSION TRAY:MANUAL FEED	U005	67
M1544499	GROUND PLATE:EXIT ROLLER	U009	9
M1544694	GUIDE:HORIZONTAL TRANSPORT:UPPER	U010	44
M1544695	GUIDE:HORIZONTAL TRANSPORT:LOWER	U010	45
M1545402	POWER PACK:ASS'Y	U012	4
M1545697	(NA):POWER SUPPLY CORD:125V:10A	ACCESSORIES	7
M1545699	(EU/AA):POWER SUPPLY CORD:250V:10A	ACCESSORIES	8
M1560452	(CHN):HOLDER:HAND SET	ACCESSORIES	9
M1560462	(CHN):HAND SET:SUB-ASS'Y	ACCESSORIES	10
M1561240	EXTENSION TRAY:MF:ASS'Y	U001	12
M1561250	COVER:UPPER:MFP	U001	13
M1561254	SHAFT:TURN:SCANNER:LEFT	U001	14
M1561256	SHAFT:TURN:SCANNER:RIGHT	U001	15
M1561259	(EU/AA/NA/TWN):COVER:REAR MIDDLE	U001	16
M1561260	(CHN):COVER:REAR MIDDLE	U001	17
M1561272	COIL SPRING:SCANNER	U001	18
M1561392	GUIDE PLATE:SCANNER:OPEN AND CLOSE	U001	19
M2871043	COVER:U CONVEYER BELT:DUPLIX	U013	31
M2871370	COVER:REAR LOWER	U001	20
M2871851	OPTICAL WRITING UNIT:ASS'Y	U004	2
M2872505	PAPER TRAY:ASS'Y	U005_S001	68
M2872589	PAPER TRAY:REAR	U005_S001	69

## Exclusive Parts

Number	Part Name	Group	ID
M2872611	TRAY:BASE	U005_S001	70
M2872612	END FENCE	U005_S001	71
M2872615	SIDE FENCE:LEFT	U005_S001	72
M2872618	COVER:SIDE FENCE:LEFT	U005_S001	73
M2872620	SIDE FENCE:RIGHT	U005_S001	74
M2872622	COVER:SIDE FENCE:RIGHT	U005_S001	75
M2872623	PAWL:LOCK:END FENCE	U005_S001	76
M2872624	CLICK:SIDE FENCE	U005_S001	77
M2872625	LEVER:LOCK:EXTENSION TRAY	U005_S001	78
M2872626	DECAL:EXTENSION TRAY	U005_S001	79
M2872627	LEVER:LOCK:END FENCE	U005_S001	80
M2872636	GEAR:16Z	U005_S001	81
M2872671	FEELER:PAPER END SENSOR	U005	82
M2872871	COVER:MANUAL FEED TABLE	U005	83
M2872875	SIDE FENCE:MANUAL FEED:RIGHT	U005	84
M2872876	SIDE FENCE:MANUAL FEED:LEFT	U005	85
M2872878	RACK:MANUAL FEED	U005	86
M2872879	COMPRESSION SPRING:SIDE FENCE:MANUAL FEED	U005	87
M2872881	BASE:MANUAL FEED TABLE	U005	88
M2874030	(NA):FUSING UNIT:ASS'Y	U008_S002	48
M2874031	(EU/AA):FUSING UNIT:ASS'Y	U008_S001	49
M2874033	(CHN):FUSING UNIT:ASS'Y	U008_S004	50
M2874049	(TWN):FUSING UNIT:ASS'Y	U008_S003	51
M2874206	STRIPPER PAWLS	U008_S001	52
		U008_S002	52
		U008_S003	52
		U008_S004	52
M2874220	(NA):HEATER:700W:120V:INFRARED	U008_S002	53
M2874221	(EU/AA/CHN):HEATER:700W:220V:INFRARED	U008_S001	54
		U008_S004	54
M2874229	(TWN):HEATER:700W:110V	U008_S003	55
M2874234	HOUSING:THERMOSTAT:ASS'Y	U008_S001	56
		U008_S002	56
		U008_S003	56
		U008_S004	56

Number	Part Name	Group	ID
M2874263	THERMISTOR	U008_S001	57
		U008_S002	57
		U008_S003	57
		U008_S004	57
M2874719	PIN:GUIDE:TRANSPORT	U010	46
M2874895	PIN:GUIDE:UPPER	U010	47
M2875003	PCB:WIFI	U012	14
M2875311	(CHN):POWER SUPPLY UNIT:ASS'Y	U012	6
M2875312	(EU/AA):POWER SUPPLY UNIT:ASS'Y	U012	7
M2875313	(NA/TWN):POWER SUPPLY UNIT:ASS'Y	U012	8
M2881089	CASE:USB	U013	32
M2881600	SCANNER:ASS'Y	U002	1
M2882632	DECAL:PICK-UP PAPER JAM	U001	21
M2890431	(M289):MODEL NAME PLATE:SP325SFNW	ACCESSORIES	11
M2891251	COVER:FRONT	U001	22
M2891252	BUTTON	U001	23
M2891253	(EU/AA/NA/TWN):COVER:SIDE PLATE:LEFT	U001	24
M2891255	COVER:SIDE PLATE:RIGHT	U001	25
M2891264	(CHN):COVER:SIDE PLATE:LEFT	U001	26
M2891402	(EU/AA/NA):OPERATION PANEL:4IN1:ASS'Y	U003	2
M2891403	(TWN):OPERATION PANEL:4IN1:ASS'Y	U003	3
M2891404	(CHN):OPERATION PANEL:4IN1:ASS'Y	U003	4
M2895052	PCB:ECBCTL:4IN1:ASS'Y	U012	9
M2895061	(EU/AA):PCB:FAX:ASS'Y	U012	10
M2895062	(NA):PCB:FAX:ASS'Y	U012	11
M2895063	(CHN):PCB:FAX:ASS'Y	U012	12
M2895064	(TWN):PCB:FAX:ASS'Y	U012	13
Note	See 2D parts catalog for the components of the ARDF.	U002	2



## Standard Parts



03603006N  
SCREW - M3X6



04503008N  
TAPPING SCREW - M3X8



04503010N  
TAPPING SCREW - M3X10



04503012N  
TAPPING SCREW:3X12



04504008N  
TAPPING SCREW - M4X8



04513006N  
TAPPING SCREW - 3X6



04513008N  
TAPPING SCREW - M3X8



04513014N  
TAPPING SCREW:3X14



04513030N  
TAPPING SCREW:3X30



04523008N  
TAPPING SCREW - M3X8



04523010N  
BINDING SELF-TAPPING SCREW:3X10



04533006N  
TAPPING SCREW - M3X6



04543006Q  
TAPPING SCREW - M3X6



04543008Q  
TAPPING SCREW:3X8



04543014Q  
TAPPING SCREW:3X14



04593010N  
(TWN):BINDING HEAD TAPPING SCREW:3X10



07200040E  
RETAINING RING - M4



08025318  
(EU/AA/NA/CHN):BINDING HEAD TAPPING SCREW:ES:3X10



08046127  
HEXAGONAL BOLT:DOUBLE SCREW:M3X8



08050104  
RETAINING RINGS-E:SILENCER:DIA4



08050106  
RETAINING RINGS-E:SILENCER:DIA6



09504006N  
SCREW - M4X6



09543010N  
SCREW:POLISHED ROUND/SPRING:M3X10



11050197  
WIRE SADDLE



11050568  
CLAMP:LWSS-0504



11050598  
CLAMP:LWSS-1N



11050758  
CLAMP:LWSM-0306A

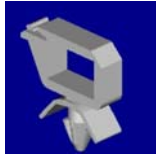


11050760  
CLAMP:LWSM-0511A

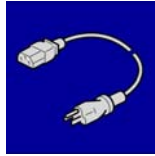
## Standard Parts



11050761  
CLAMP:LWS-0511A



11050762  
CLAMP:LWS-0711A



11500478  
(TWN):POWER SUPPLY COD  
E:125V:15A



12042612  
MICRO SWITCH:D3V-16506-3  
C25



16072774  
FERRITE CORE:K3 FF

## Design Change List

Number	Title	Set	Old Part		New Part		Index No.		Q'ty	Interchg		Reason	Cut-in S/N
			P/N	Name	P/N	Name	Group	ID		Indiv.	Set		
201905-01	1905 Modification	-	M0134771	TIMING BELT:HO RIZONTAL TRAN	M0134776	TIMING BELT:HO RIZONTAL TRAN	U010	49	1	O/O			
201905-02	1905 Modification	-	M0134772	TIMING BELT:DR IVE	M0134774	TIMING BELT:DR IVE	U010	48	1	O/O			
201806-01	1806 Modification	-	M2875001	PCB:WIFI	M2875003	PCB:WIFI	U012	14	1	O/O			
201805-01	1805 Modification	-			M0121064	GROUND PLATE: OPC	U013	33	1				

