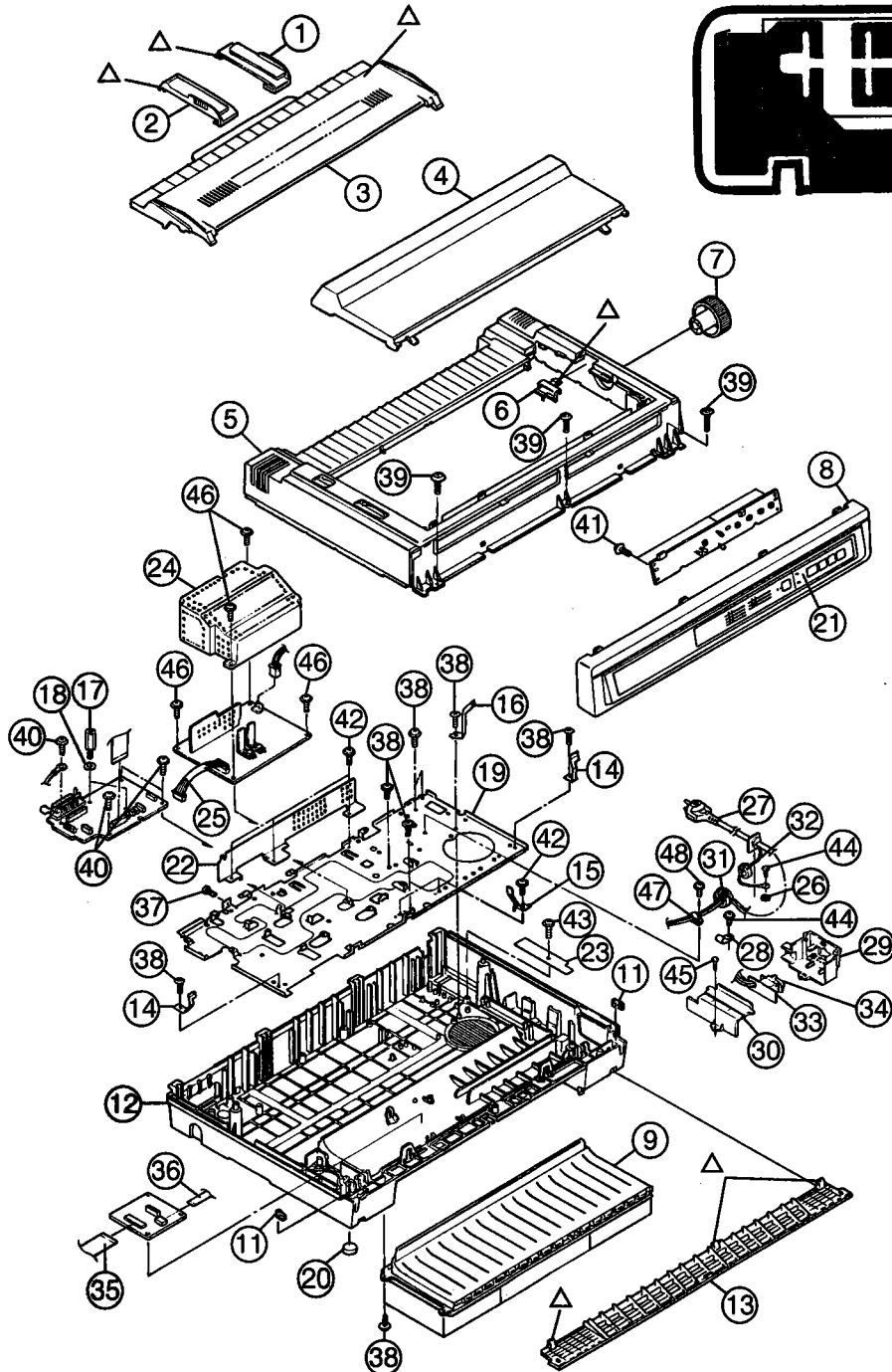


9. Replacement Parts List

Notes:

1. Important safety notice.
Components identified by Δ have special characteristics important for safety.
When replacing any of these components, use only manufacturer's specified parts.
2. The S mark is for service standard parts and may differ from production parts.
3. The marking (RTL) indicates that the Retention Time is limited for this item. After the discontinuation of this assembly in production, the item will continue to be available for a specific period of time. The retention period of availability is dependent on the type of assembly, and in accordance with the laws governing part and product retention. After the end of this period, the assembly will no longer be available.

9.1 Cabinet and Power Supply

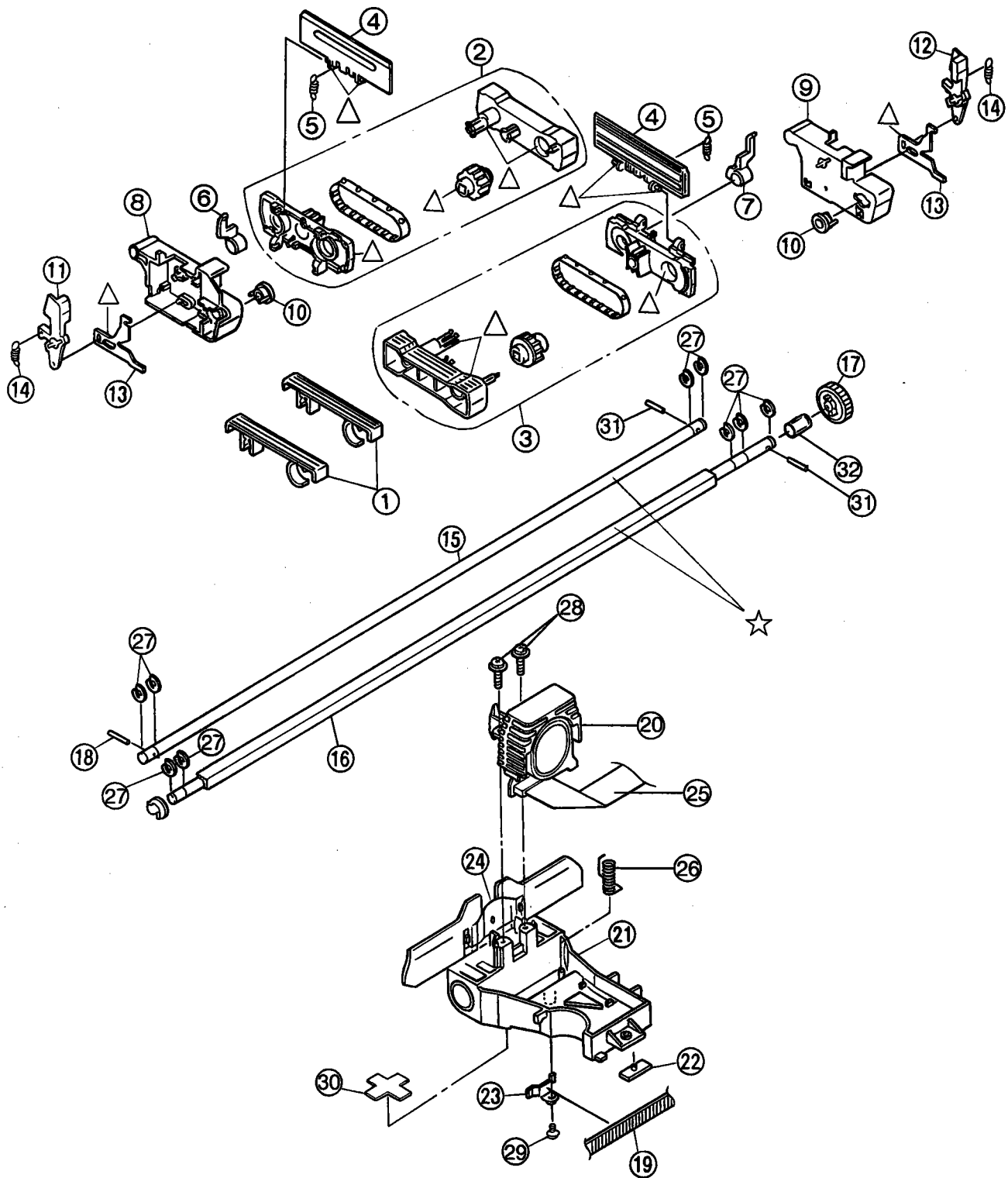


= Lubrication =
 Δ PJOL-SG3451

(Cabinet)

Ref. No.	Part No.	Part Name and Description	Per Set	Remarks
1	PJUG119Y	Paper Guide (R)	1	
2	PJUG120Y	Paper Guide (L)	1	
3	PJKEA0013Z	Paper Stand	1	
4	PJKEA0012Z	Smoked Plastic Cover	1	
5	PJYFP1694NS	Upper Cabinet Assembly	1	
6	PJJK75Z-3	CSF Gear Cover	1	
7	PJBN29Y-3	Platen Knob	1	
8	PJYKP1694NS	Front Panel Assembly	1	
9	PJYM1P2624M	Bottom Paper Guide Assembly	1	
10	PJHR5115Z	Protection Sheet	1	
11	PJME100Z	Paper Door Latch	2	
12	PJYMP1694NS	Lower Cabinet Assembly	1	
13	PJJK70Z-3	Paper Door	1	
14	PJUS125Y	Ground Plate	2	
15	PJUS152Z	Ground Plate	2	
16	PJUS129Z	Ground Plate	1	
17	PJHD1500Z	Hexagonal Screw	2	
18	XWE3	Washer	2	
19	PJMC215X	Shield Plate	1	
20	PJHG335Z	Rubber Foot	5	
21	PJGKA0006Z	Switch Sheet	1	
22	PJMCA0009Z	Shield Plate	1	
23	PJHXA0005Z	Edge Cover	1	
24	PJMX134X	PCB Enclosure Cover	1	
25	PJJS913Z	Power Lead	1	
26	XWC4B	Washer	1	
27	PJWAP1694NS	AC Cord Assembly	1	
28	PJHRA0119Z	Snap Band	1	
29	PJMX70Y-3	Switch Enclosure Base	1	
30	PJMX71Y	Switch Enclosure Cover	1	
31	PJN8Z	ES Core	1	
32	PJN18Z	ES Core	1	
33	PJUP710Z	Primary Power Board Bare PCB	1	
34	EST15304T	Power Switch (SW501)	1	
35	PJWWP1694NS	Flat Cable Assembly (Head, Control Panel)	1	
36	PJWW1P1694NS	Flat Cable Assembly (Control Panel)	1	
37	XTN3D12F	FG Terminal	1	
38	XTW3+12F	Screw 3x12 mm	14	
39	XTW3+16F	Screw 3x16 mm	3	
40	XTW3+8L	Screw 3x6 mm	4	
41	XTW3+10F	Screw 3x10 mm	3	
42	XTW3+6L	Screw 3x6 mm	4	
43	XTB3+10G	Screw 3x10 mm	1	
44	XTW4+8L	Screw 4x8 mm	2	
45	XTW3+14F	Screw 3x14 mm	1	
46	XTW3+12L	Screw 3x12 mm	4	
47	PJHRA0118Z	Clamp	1	
48	XTW4+12S	Screw 4x12 mm	1	

9.2 Tractor and Carriage

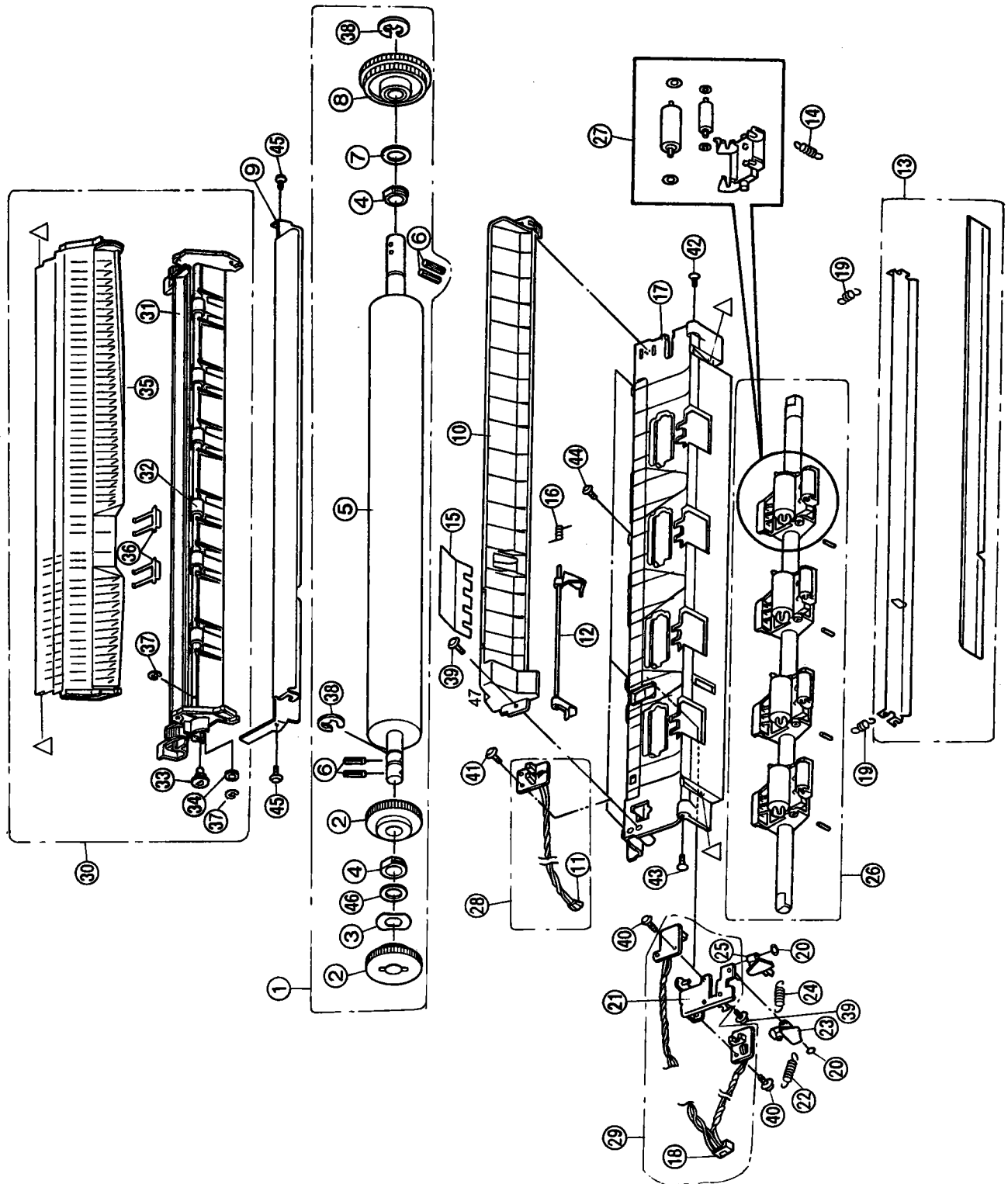


△ PJOL-SG3451
☆ PJOL-948P

(Tractor and Carriage)

Ref. No.	Part No.	Part Name and Description	Per Set	Remarks
1	PJDT82Z	Paper Support	2	
2	PJYE1P1624M1	Tractor Feed Assembly (L)	1	
3	PJYE2P1624M1	Tractor Feed Assembly (R)	1	
4	PJDT75Z	Tractor Cover	2	
5	PJDS5078Z	Cover Spring	2	
6	PJDT80Z	Tractor Lock Lever (L)	1	
7	PJDT81Z	Tractor Lock Lever (R)	1	
8	PJUV62Z	Tractor Shaft Guide (L)	1	
9	PJUV63Z	Tractor Shaft Guide (R)	1	
10	PJDJ06181RZ	Tractor Bushing	2	
11	PJUB78Z	Tractor Position Shift Lever (L)	1	
12	PJUB79Z	Tractor Position Shift Lever (R)	1	
13	PJUL98Z	Tractor Shaft Guide Plate	2	
14	PJDS4085Z	Tractor Lever Spring	2	
15	PJDF342Z	Tractor Guide Shaft	1	
16	PJDF341Z	Tractor Drive Shaft	1	
17	PJDG5017Z	Tractor Gear	1	
18	PJDY187Z	Pin	1	
19	PJDV43Z	Timing Belt	1	
20	PJWHP1694NS	Head Assembly	1	
21	PJMU77X	Carriage	1	
22	PJHR9025Z	Carriage Slider	1	
23	PJMD1054Z	Timing Belt Clamp	1	
24	PJUG203Z	Ribbon Mask	1	
25	PJJE15C001Z	Head Cable	1	
26	PJDSA0012Z	Earth Spring	1	
27	XUC4FY	E-ring	9	
28	XYN3+F10	Screw 3x10 mm	2	
29	XTB3+8B	Screw 3x8 mm	1	
30	PJHS967Z	Oil Felt	1	
31	XPL2A12WFP	Pin	2	
32	WUT6-1.3	Tube	1	

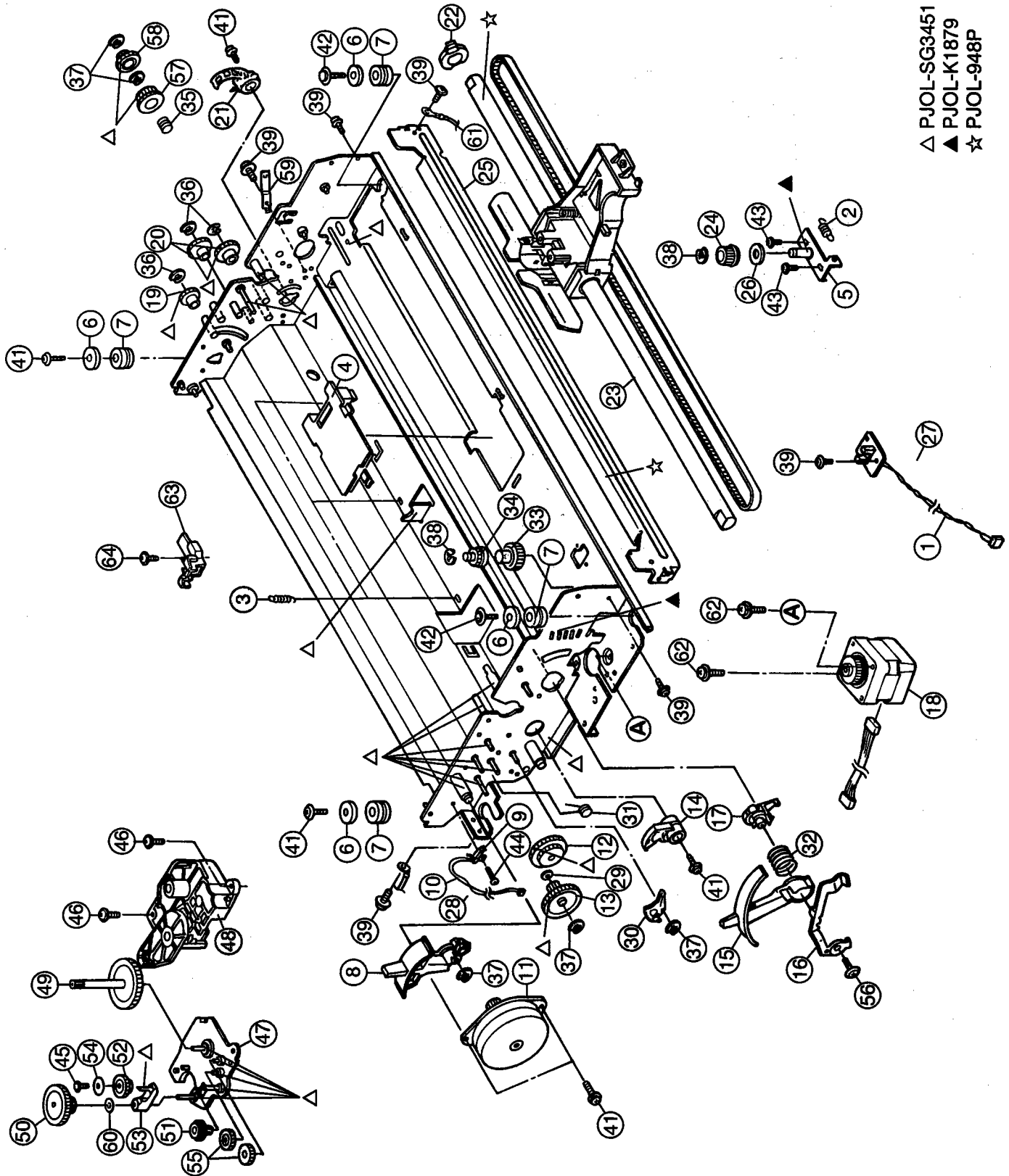
9.3 Platen and Friction Roller



(Platen and Friction Roller)

Ref. No.	Part No.	Part Name and Description	Per Set	Remarks
1	PJZRP3696M1	Platen Assembly	1	
2	PJDG50456Z	Platen Gear	2	
3	PJUS106Z	Platen Spring	1	
4	PJDJ12101CZ	Bushing	2	
5	PJDN46Z	Platen	1	
6	PJME114Z	Pin	4	
7	PJNW1222Z	Plastic Washer	1	
8	PJDG50458Z	CSF Gear	1	
9	PJUG83X	Paper Separator	1	
10	PJUG84X	Paper Guide	1	
11	PJJS724Z	Connector for Continuous Paper End Sensor	1	
12	PJZL2P1624M	Paper End Sensor Contact Assembly	1	
13	PJZUP1654M	Back Tension Plate Assembly	1	
14	PJDS5057Z	Spring, Friction Roller	4	
15	PJHR592Z	Paper Guide Sheet	1	
16	PJDS7042Z	Spring, Paper End Sensor	1	
17	PJZE1P1654M	Lower paper Guide Assembly	1	
18	PJJS726Z	Connector with Lead Wire, Rear PE Sensor	1	
19	PJDS51016Z	Back Tension Spring	2	
20	PJNW212Z	Plastic Washer	2	
21	PJZL1P1624M	Paper End Sensor Base Assembly	1	
22	PJDS4121Z	Spring, Bottom Paper End Sensor	1	
23	PJHR9232Z	Contact Lever, Bottom Paper End Sensor	1	
24	PJDS4052Y	Spring, Rear Paper End Sensor	1	
25	PJHR9231Y	Contact Lever, Rear Paper End Sensor	1	
26	PJZF1P1654M	Friction Roller Shaft Assembly	1	
27	PJZR2P3626M	Friction Roller Assembly	1	
28	PJWP3P2624M	Continuous Paper End Sensor Assembly	1	RTL
29	PJWP4P2624M	Rear/Bottom Paper End Sensor Assembly	1	RTL
30	PJZRP3626M2	Ejection Roller Assembly	1	
31	PJUA282Y	Ejection Roller Base	1	
32	PJDR206Z	Ejection Roller	1	
33	PJDG50454Z	Ejection Roller Gear	1	
34	PJDG50468Z	Ejection Roller Idle Gear	1	
35	PJUG201Y	Ejection Roller Cover	1	
36	PJHR5212Z	Ejection Roller Sheet	2	
37	XUC4FY	E-ring	2	
38	XUC10FY	E-ring	2	
39	XTW3+8S	Screw 3x8 mm	1	
40	XTW3+6L	Screw 3x6 mm	2	
41	XTS3+10J	Screw 3x10 mm	1	
42	XTS3+12F	Screw 3x12 mm	1	
43	XTS3+12C	Screw 3x12 mm	1	
44	XTW3+8L	Screw 3x8 mm	4	
45	XTW3+5L	Screw 3x5 mm	2	
46	PJNW1221Z	Plastic Washer	1	
47	XTW3+12S	Screw 3x12 mm	1	

9.4 Chassis

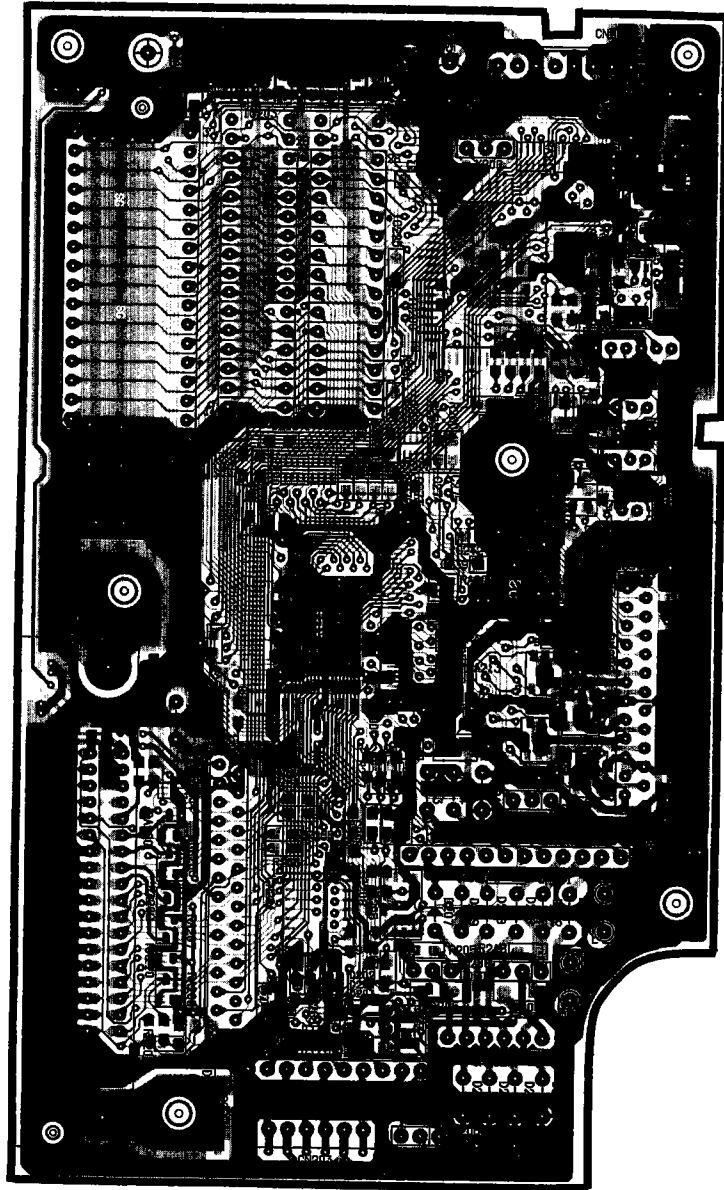


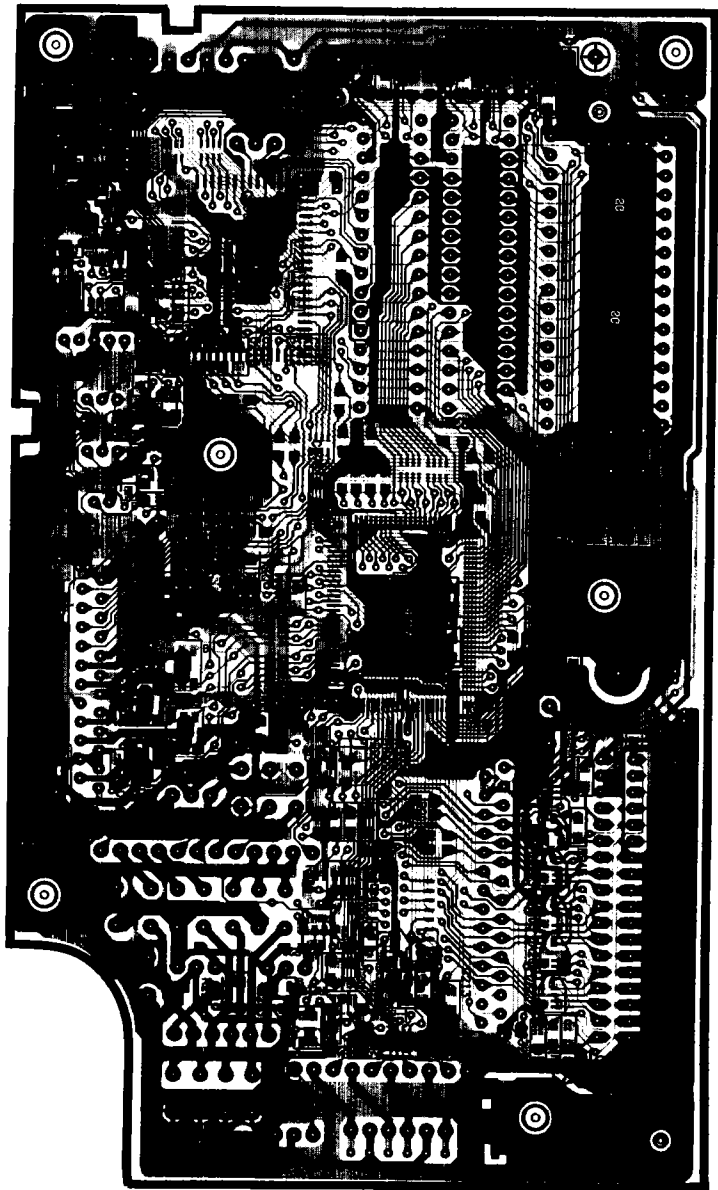
- △ PJOL-SG3451
- ▲ PJOL-K1879
- ☆ PJOL-948P

(Chassis)

Ref. No.	Part No.	Part Name and Description	Per Set	Remarks
1	PJJS725Z	Connector With Wire	1	
2	PJDS5075Z	Spring, Idle Pulley	1	
3	PJDS3053Z	Spring, Roller Holder	4	
4	PJHR9229Z	Head Cable Cover	1	
5	PJZHP3626M	Idle Pulley Bracket Assembly	1	
6	PJHE6044Z	Washer	4	
7	PJHG313Y	Mount Rubber	4	
8	PJUB80Y-3	Paper Feed Selector	1	
9	PJSH1A20Z	Leaf Switch	1	
10	PJJS1017Z	Connector With Wire Selector Lever	1	
11	PJJQ149Z	Line Feed Motor	1	
12	PJDG50457Y	Idle Gear	1	
13	PJDG50158Z	Middle Gear	1	
14	PJDG5223Z	Friction Cam Gear	1	
15	PJUB111Z	Head Gap Lever	1	
16	PJUL168Z	Head Gap Plate	1	
17	PJDG5256Z	Eccentric Cam (L)	1	
18	PJJQH422Z	Carriage Motor	1	
19	PJDG50141Z	Tractor Idle Gear	1	
20	PJDG50140Z	Tractor Change Gear	2	
21	PJDG5222Z	F/T Change Arm	1	
22	PJDG5220Z	Eccentric Cam (R)	1	
23	PJDF558Z	Carriage Shaft	1	
24	PJDD4137Z	Idle Pulley	1	
25	PJUL166Z	Carriage Guide Plate	1	
26	PJDD9022Z	Flange	1	
27	PJWP5P2624M	Home Sensor Assembly	1	RTL
28	PJWS1P3626M	Friction/Tractor Switch Assembly	1	
29	PJHM14Z	Wave Washer	1	
30	PJDG5221Z	Friction Gear	1	
31	PJDS7051Z	Friction Spring	1	
32	PJDS52018Z	Eccentric Cam Spring	1	
33	PJDD9036Z	Drive Pulley	1	
34	PJDD3131Z	Drive Pulley Gear	1	
35	PJDS4180Z	Spring	1	
36	XUC2FY	E-ring	3	
37	XUC3FY	E-ring	5	
38	XUC4FY	E-ring	2	
39	XTW3+6L	Screw 3x6 mm	6	
40	XTN3+16C	Screw 3x16 mm	2	
41	XYN3+F8	Screw 3x8 mm	4	
42	PJYC3+MC16	Screw 3x16 mm	2	
43	XTW3+8L	Screw 3x8 mm	2	
44	XTN26+6F	Screw 2.6x6 mm	1	
45	XTW23+6F	Screw 2.3x6 mm	1	
46	XTW3+10L	Screw 3x10 mm	2	
47	PJZC1P3626M	Ribbon Drive Base Assembly	1	
48	PJUG200Y	Ribbon Drive Cover	1	
49	PJDG50450Z	Ribbon Feed Gear	1	
50	PJDG50451Z	Ribbon Drive Gear (A)	1	
51	PJDG50452Z	Ribbon Drive Idle Gear (E)	1	
52	PJDG50453Z	Ribbon Drive Primary Gear (B)	1	
53	PJHR3086Z	Ribbon Drive Primary Arm	1	
54	PJNW231Z	Ribbon Drive Primary Sheet	1	
55	PJDG50142Z	Ribbon Drive Idle Gear (G,H)	2	
56	XYN4+F16	Screw 4x16 mm	1	
57	PJDG50147Z	Clutch Slide Gear	1	
58	PJDG50139Z	Clutch Gear	1	
59	PJUS195Z	Ground Plate	1	
60	PJNW315Z	Polyslider	1	
61	PJJS493Z	Connector With Wire	1	
62	XYN3+F6	Screw 3x6 mm	2	
63	PJHRA0131Z	Belt Cover	1	
64	XTW26+7L	Screw 2.6x7 mm	1	

9.5 Main Board





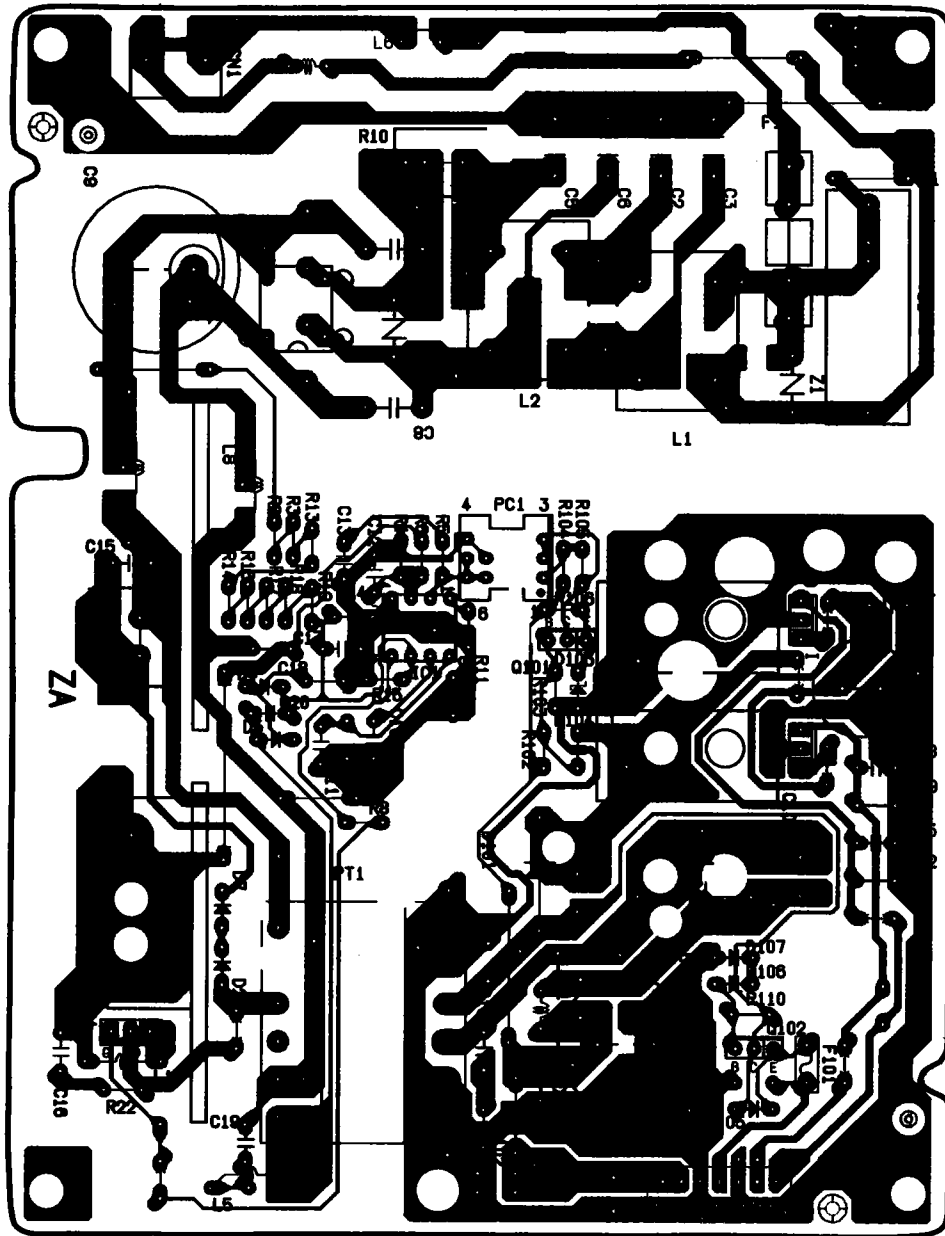
Ref. No.	Part No.	Part Name and Description			Per Set	Remarks
Integrated Circuits, Transistor and Diodes						
IC200	PJVIT90C845F	IC CPU			1	
IC201	PJWIP1694NS	IC ROM			1	
IC202	PJVITC51832S	IC			1	
IC204	PJVIGP0901A	IC			1	
IC205	PJVILM393PS	IC			1	
IC206	PJVIS2914AI	IC EEP ROM			1	
IC207	PJVIS80746AN	IC			1	
D200-203	PJVDRLS7111	Diode			4	
D204	PJVD1N4003N	Diode			1	
D205,206	PJVDRLS7111	Diode			2	
D207,208	PJVD1N4003N	Diode			2	
D209,212	PJVDRD47ETB	Diode			2	
D210,211	PJVD1N4003N	Diode			2	
D213-216	PJVD1N4003N	Diode			4	
D217	PJVDHZ5C-2	Diode			1	
Q200,201	2SB1333N	Transistor			2	
Q202,203	PJVIDTC143EK	Transistor			2	
Q204	2SB1504	Transistor			1	
Q205	PJVIDTC143EK	Transistor			1	
Q206	2SB1457	Transistor			1	
Q207,208	PJVIDTC143EK	Transistor			2	
Q209	PJVTIRAPDCB3	Transistor			1	
Q211-219	2SD2170	Transistor			9	
Resistors						
R200,201	ERJ6GEYJ223V	22K	1/10W	Resistor (Chip)	2	
R202	ERJ6GEYJ224V	220K	1/10W	Resistor (Chip)	1	
R203	ERJ6GEYJ332V	3.3K	1/10W	Resistor (Chip)	1	
R204	ERJ14YJ682H	6.8K	1/4W	Resistor (Chip)	1	
R205	ERJ6GEYJ332V	3.3K	1/10W	Resistor (Chip)	1	
R208-210	ERJ6GEYJ103V	10K	1/10W	Resistor (Chip)	3	
R211,212	ERJ6GEYJ223V	22K	1/10W	Resistor (Chip)	2	
R213,214	ERX1SJ1R0E	1	1W	Metal	2	
R215	ERJ6GEYJ224V	220K	1/10W	Resistor (Chip)	1	
R216	ERJ6GEYJ332V	3.3K	1/10W	Resistor (Chip)	1	
R217	ERJ14YJ682H	6.8K	1/4W	Resistor (Chip)	1	
R218	ERJ6GEYJ332V	3.3K	1/10W	Resistor (Chip)	1	
R222	ERJ6GEYJ122V	1.2K	1/10W	Resistor (Chip)	1	
R223	ERJ6GEYJ103V	10K	1/10W	Resistor (Chip)	1	
R224	ERJ14YJ682H	6.8K	1/4W	Resistor (Chip)	1	
R225	ERJ6GEYJ222V	2.2K	1/10W	Resistor (Chip)	1	
R226	ERJ6GEYJ472V	4.7K	1/10W	Resistor (Chip)	1	
R227-229	ERJ6GEYJ153V	15K	1/10W	Resistor (Chip)	3	
R230	ERJ14YJ101H	100	1/4W	Resistor (Chip)	1	
R231-233	ERJ6GEYJ103V	10K	1/10W	Resistor (Chip)	3	
R234	ERJ6ENF3300V	330	1/10W	Resistor (Chip)	1	
R235,236	ERJ14YF332H	3.3K	1/4W	Resistor (Chip)	2	
R237	ERJ6ENF1501V	1.5K	1/10W	Resistor (Chip)	1	
R238	ERJ6GEYJ222V	2.2K	1/10W	Resistor (Chip)	1	
R239-241	ERJ6GEYJ103V	10K	1/10W	Resistor (Chip)	3	
R242	ERJ6GEYJ152V	1.5K	1/10W	Resistor (Chip)	1	
R243	ERJ6GEYJ103V	10K	1/10W	Resistor (Chip)	1	
R244	ERJ6GEYJ221V	220	1/10W	Resistor (Chip)	1	
R245	ERJ6GEYJ330V	33	1/10W	Resistor (Chip)	1	

Ref. No.	Part No.	Part Name and Description			Per Set	Remarks
R250-257	ERJ6GEYJ103V	10K	1/10W	Resistor (Chip)	8	
R258	ERJ6GEYJ472V	4.7K	1/10W	Resistor (Chip)	1	
R259	ERJ6GEYJ822V	8.2K	1/10W	Resistor (Chip)	1	
R260-263	ERJ6GEYJ103V	10K	1/10W	Resistor (Chip)	4	
R264-267	ERJ6GEYJ272V	2.7K	1/10W	Resistor (Chip)	4	
R272	ERJ6GEYJ103V	10K	1/10W	Resistor (Chip)	1	
R273-276	ERJ6GEYJ221V	220	1/10W	Resistor (Chip)	4	
R278-285	ERJ14YJ103H	10K	1/4W	Resistor (Chip)	8	
R287,288	ERJ14YJ103H	10K	1/4W	Resistor (Chip)	2	
R289	ERX2SJ3R3E	3.3	2W	Metal	1	
Capacitors						
C200-205	ECUV1E104ZF	0.1	25V	Ceramic (Chip)	6	
C206,208	ECUV1H102JC	1000p	50V	Ceramic (Chip)	2	
C207,209	ECUV1H151JC	150p	50V	Ceramic (Chip)	2	
C210	ECUV1H223ZF	0.022	50V	Ceramic (Chip)	1	
C211	ECUV1H102KB	1000p	50V	Ceramic (Chip)	1	
C212	ECUV1H103KB	0.01	50V	Ceramic (Chip)	1	
C213	ECUV1H151JC	150p	50V	Ceramic (Chip)	1	
C214,215	ECUV1H330JC	33p	50V	Ceramic (Chip)	2	
C216-219	ECUV1H151JC	150p	50V	Ceramic (Chip)	4	
C220-223	ECUV1H223ZF	0.022	50V	Ceramic (Chip)	4	
C224-228	ECUV1H330JC	33p	50V	Ceramic (Chip)	5	
C231	ECUV1H102KB	1000p	50V	Ceramic (Chip)	1	
C232	ECUV1H151JC	150p	50V	Ceramic (Chip)	1	
C233-236	ECUV1E104ZF	0.1	25V	Ceramic (Chip)	4	
C237-243	ECUV1H102KB	1000p	50V	Ceramic (Chip)	7	
C244,245	ECEA1HGE100B	10	50V	Electrolytic	2	
C246	ECUV1H223ZF	0.022	50V	Ceramic (Chip)	1	
C270-277	ECUV1H330JC	33p	50V	Ceramic (Chip)	8	
C285-296	ECUV1H223ZF	0.022	50V	Ceramic (Chip)	12	
C298	ECUV1H223ZF	0.022	50V	Ceramic (Chip)	1	
C299	ECEA1HGE330B	33	50V	Electrolytic	1	
Component Combinations						
DA200-205	PJVDDAN217	Diode Array			6	
QA200	PJVIMP4013	Transistor Array			1	
QA201	PJVIMP4303	Transistor Array			1	
RA200,201	EXBV8V151JV	R-Array			2	
RA202	EXBV8V472JV	R-Array			1	
RA203,204	EXBV4V272JV	R-Array			2	
RA206	EXBV8V330JV	R-Array			1	
RA207,208	EXBV8V103JV	R-Array			2	
RA209,210	EXBV8V272JV	R-Array			2	
RA211	EXBV8V332JV	R-Array			1	
RA212	EXBV8V222JV	R-Array			1	
RA213,214	EXBV8V122JV	R-Array			2	
RA215,216	EXBV8V151JV	R-Array			2	
RA217	EXBV8V102JV	R-Array			1	

All capacitor values are in microfarads unless otherwise noted.

Ref. No.	Part No.	Part Name and Description	Per Set	Remarks
Other Parts				
CN200	PJJS884Z	Connector, Centronics	1	
CN201	PJJS460Z	Connector, Option FFC	1	
CN202	PJJP301Z	Connector, CR	1	
CN203	PJJP160Z	Connector, LF	1	
CN204	PJJP304Z	Connector, Power	1	
CN205	PJJP353Z	Connector, Friction/Tractor	1	
CN206	PJJP169Z	Connector, Rear/Bottom Paper End Sensor	1	
CN207	PJJP268Z	Connector, Friction Paper End Sensor	1	
CN208	PJJP316Z	Connector, Home	1	
CN209	PJJS1102Z	Connector, Head/Control Panel	1	
F200,201	XBAICPF25	IC Protector	2	
J201	ERJ6GEY0R00V	Dummy	1	
J210	ERJ6GEY0R00V	Dummy	1	
X200	PJVCST16.0MX	X'Tal	1	
PB1	PJWPP1694NS	Main Board Complete	1	

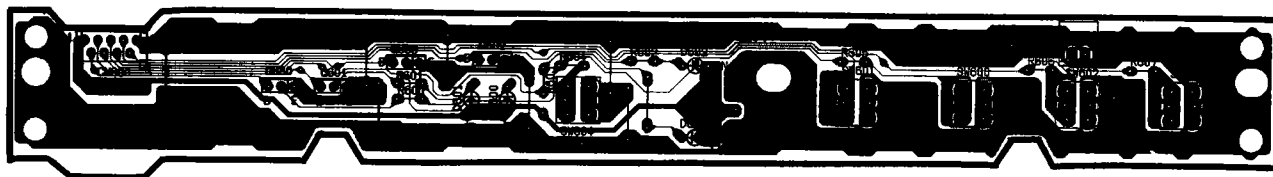
9.6 Power Board



Ref. No.	Part No.	Part Name and Description			Per Set	Remarks
IC1	PJVIFA5311P	IC			1	
IC101,102	PJVIMC7805CT	IC			2	
D1	PJVDS1WBA60B	Diode			1	
D2,7	PJVDD1NK40T	Diode			2	
D4,5	PJVDD1NLTA	Diode			2	
D101,102	PJVDERD32-02	Diode			2	
D103	PJVDMTZJ6.2A	Diode			1	
D104	PJVD1SS119TD	Diode			1	
D105	PJVDD1NLTA	Diode			1	
D106	PJVDMTZJ15B	Diode			1	
D107	MA165KU	Diode			1	
Q1	2SK1548	Transistor			1	
Q101	2SC1740STP	Transistor			1	
Q102	2SA935R	Transistor			1	
R1	ERD25TJ105	1M	1/4W	Carbon	1	
R2,3	ERDS2TJ183	18K	1/4W	Carbon	2	
R4	EROS2TKF1100	110	1/4W	Metal	1	
R5	ERDS2TJ222	2.2K	1/4W	Carbon	1	
R6	ERQS2BG102	1K	1/2W	Carbon	1	
R7	ERX1SZGR75E	0.75	1W	Metal	1	
R8	ERQS2BJ270	27	1/4W	Carbon	1	
R9	ERF7TJ563	56K	7W	Wire Wound	1	
R10	ERF5TJ9R1	9.1	5W	Wire Wound	1	
R11	ERDS2TJ682	6.8K	1/4W	Carbon	1	
R13,14	ERDS2TJ183	18K	1/4W	Carbon	2	
R15	ERDS2TJ123	12K	1/4W	Carbon	1	
R16-19	ERDS2TJ183	18K	1/4W	Carbon	4	
R22	ERX1SJ1R0E	1	1W	Metal	1	
R102	EROS2TKF6492	64.9K	1/4W	Metal	1	
R103	EROS2TKF1332	13.3K	1/4W	Metal	1	
R104,105	ERDS2TJ102	1K	1/4W	Carbon	2	
R106	ERDS2TJ153	15K	1/4W	Carbon	1	
R110	ERG1SJ102E	1K	1W	Metal	1	
C1	ECQU2APA474C	0.47	250V	Plastic Film	1	
C2,3	ECKZRS102MB	1000p	250V	Ceramic	2	
C5,6	ECKZRS222ME	2200p	250V	Ceramic	2	
C7,8	ECKZRS472ME	4700p	400V	Ceramic	2	
C9	PJCO2G680MBB	68	400V	Electrolytic	1	
C10	ECQB1H471JF3	470p	50V	Plastic Film	1	
C11	ECQV1H334JZ3	0.33	50V	Plastic Film	1	
C12	ECKR1H391KB5	390p	50V	Ceramic	1	
C13	ECQV1H104KZ3	0.1p	50V	Plastic Film	1	
C14	ECEA1EGE470B	47	25V	Electrolytic	1	
C15	ECKZ3A222KBP	2200p	1KV	Ceramic	1	
C16	ECKZ3A151KBP	150p	1KV	Ceramic	1	
C17	ECFR1H223ZF5	0.022	50V	Polyester	1	
C18	ECEA1EGE101B	100	25V	Electrolytic	1	
C19	ECBT1H102KB5	1000p	50V	Polyester	1	
C20	ECKR1H102KB5	1000p	50V	Ceramic	1	
C101	PJCE1H471MCE	470	16V	Electrolytic	1	
C102	ECEA1HGE100B	10	50V	Electrolytic	1	

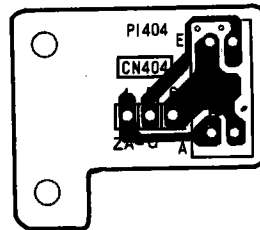
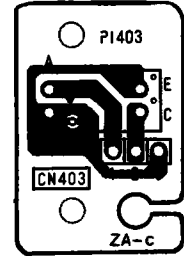
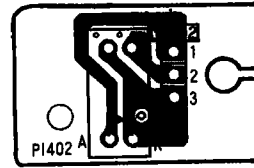
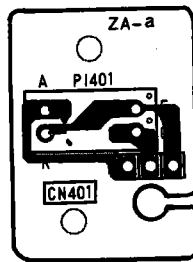
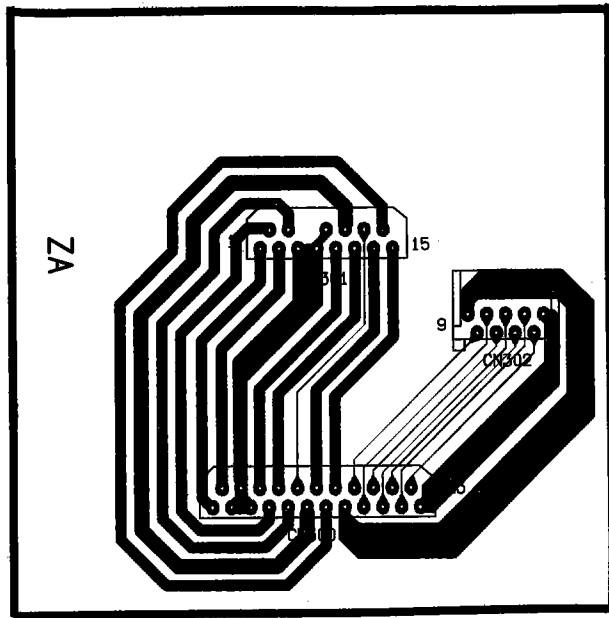
Ref. No.	Part No.	Part Name and Description	Per Set	Remarks
C103	ECEA1HGE102E	1000 50V Electrolytic	1	
C104,105	ECFR1H223ZF5	0.022 50V Polyester	2	
C106	ECFR1H104ZF5	0.1 50V Polyester	1	
C107	ECKZ3A102KBP	1000p 1KV Ceramic	1	
C108	ECFR1H223ZF5	0.022 50V Polyester	1	
C109	ECEA1HGE100B	10 50V Electrolytic	1	
CN1	PJJP354Z	Connector	1	
CN101	PJJP304Z	Connector	1	
L1,2	PJLQ98Z	Coil	2	
L7	PJLQ13Z	Coil	1	
L5,6,8,9	EXCELSA35B	Coil	4	
L10	EXCELSA24T	Coil	1	
L101,102	EXCELSR35T	Coil	2	
F1	XBA2C16TBOL	Fuse 1.6A, 250V	1	
F101	XBAICPF25	IC Protector	1	
FG1	PJJT351Z	Ground Wire	1	
PT1	PJLTS28E4	Power Transformer	1	
PC1	PJVSACA00001	Photocoupler	1	
Z1,4	PJRZENC471D	Varistor	1	
PB2	PJWP1P1694NS	Power Board Complete	1	

9.7 Control Panel Board



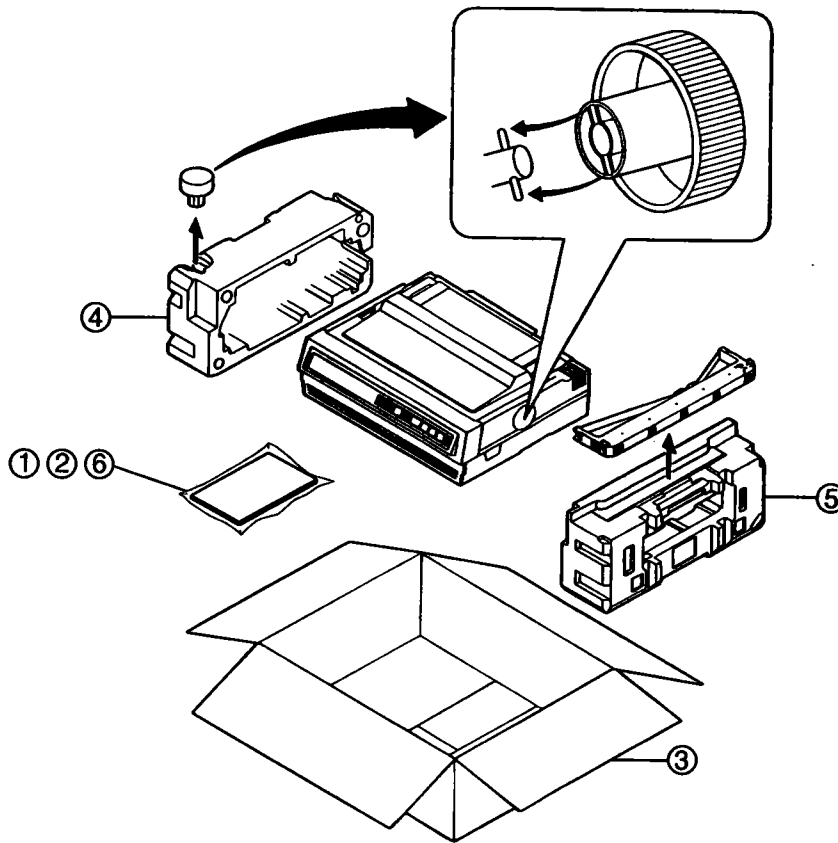
Ref. No.	Part No.	Part Name and Description	Per Set	Remarks
D600-602	PJVDSL40MGF	Diode (Green)	3	
D603	PJVDSL40VRF	Diode (Red)	1	
Q600-603	PJVIDTC143ES	Transistor	4	
R600-602	ERDS2TJ221	220 1/2W Carbon	3	
R603	ERDS2TJ561	560 1/2W Carbon	1	
R604,607	ERDS2TJ472	4.8K 1/2W Carbon	2	
R605,606	ERDS2TJ822	8.2K 1/2W Carbon	2	
CN600	PJJS459Z	Connector	1	
CN601	PJJP236Z	Connector	1	
SW600-604	EVQ-QS205K	Switch	5	
1	PJUP708Z	Control Panel Board Bare PCB	1	
PB3	PJWP2P1694NS	Control Panel Board Complete	1	

9.8 Head Relay and Sensor Boards



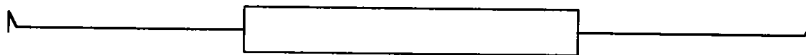
Ref. No.	Part No.	Part Name and Description	Per Set	Remarks
CN300	PJJS1103Z	Connector	1	
CN301	PJJS422Z	Connector	1	
CN302	PJJS459Z	Connector	1	
PI401-404	PJVSTLP832	Photo Interrupter	4	
CN401	PJJS725Z	Connector	1	
CN402	PJJS724Z	Connector	1	
CN403	PJJS726Z	Connector	1	
PB4	PJWP3P1694NS	Head Relay Board Complete	1	
1	PJUP707Z	Head Relay Board Bare PCB	1	
2	PJUP466Z-A	Home Sensor Board Bare PCB	1	
3	PJUP466Z-B	Friction Paper End Sensor Board Bare PCB	1	
4	PJUP466Z-C	Rear Paper End Sensor Board Bare PCB	1	
5	PJUP466Z-D	Bottom Paper End Sensor Board Bare PCB	1	

9.9 Packing Materials



Ref. No.	Part No.	Part Name and Description	Per Set	Remarks
1	PJQMA0059Z	Instruction Book (for Indonesia)	1	
2	PJQQA0022Z	Quick Start Guide (for Indonesia)	1	
3	PJPGA5015Z	Carton Box	1	
4	PJPN891Z	Pad (L)	1	
5	PJPN892Z	Pad (R)	1	
6	PJWFP1694NS	Setup Disk	1	

9.10 Printhead Gap Gauge



Ref. No.	Part No.	Part Name and Description	Per Set	Remarks
1	PJZXP1123M	Gap Gauge	1	

9.11 Extension Cables

Extension cables can be used for easy access to the Main PCB during testing and troubleshooting procedures. Use of these extension cables will require the removal of the following parts from the printer:

Paper Stand

Platen Knob

Upper Cabinet

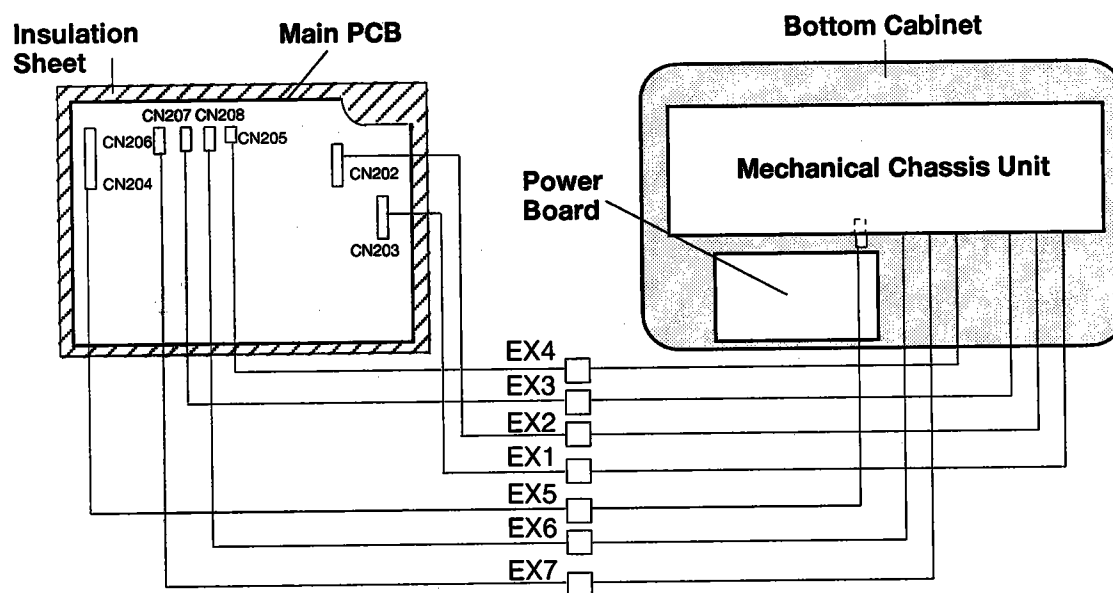
Smoked Plastic Cover

Front Panel

Connecting of the Extension Cables

- 1) Remove the Mechanical Chassis Unit from the Bottom Cabinet.
- 2) Remove the Main PCB. Place this board at the left outside of the Bottom Cabinet. It should be set up on an Insulation Sheet as shown in the figure below. Please make sure that there is no conductive part under Main PCB.
- 3) Place the Mechanical Chassis Unit to its original position in the Bottom Cabinet.
- 4) Attach the Extension Cables to the Mechanical Chassis Unit, Main PCB, Power Board and Transformer.
- 5) If necessary, install the CSF unit on the Mechanical Chassis Unit.

Caution: PCB Board must be set up on an Insulation Sheet.



Extension Cable Parts List

Ref. No.	Cable Number	Cable Name & Description	Par Unit	Remarks
EX1	PJWX7P1180M	Extension Cable: CN203, Line Feed Motor	1	
EX2	PJWX4P1654M	Extension Cable: CN202, Carriage Motor	1	
EX3	PJWX1P1121M	Extension Cable: CN207, Friction/Tractor and PE	1	
EX4	PJWX2P1624M	Extension Cable: CN205, Friction/Tractor Switch	1	
EX5	PJWXP1694NS	Extension Cable: CN204, Power	1	
EX6	PJWX2P2624M	Extension Cable: CN208, Home	1	
EX7	PJWX3P1624M	Extension Cable: CN206, Rear, Bottom PE	1	

