

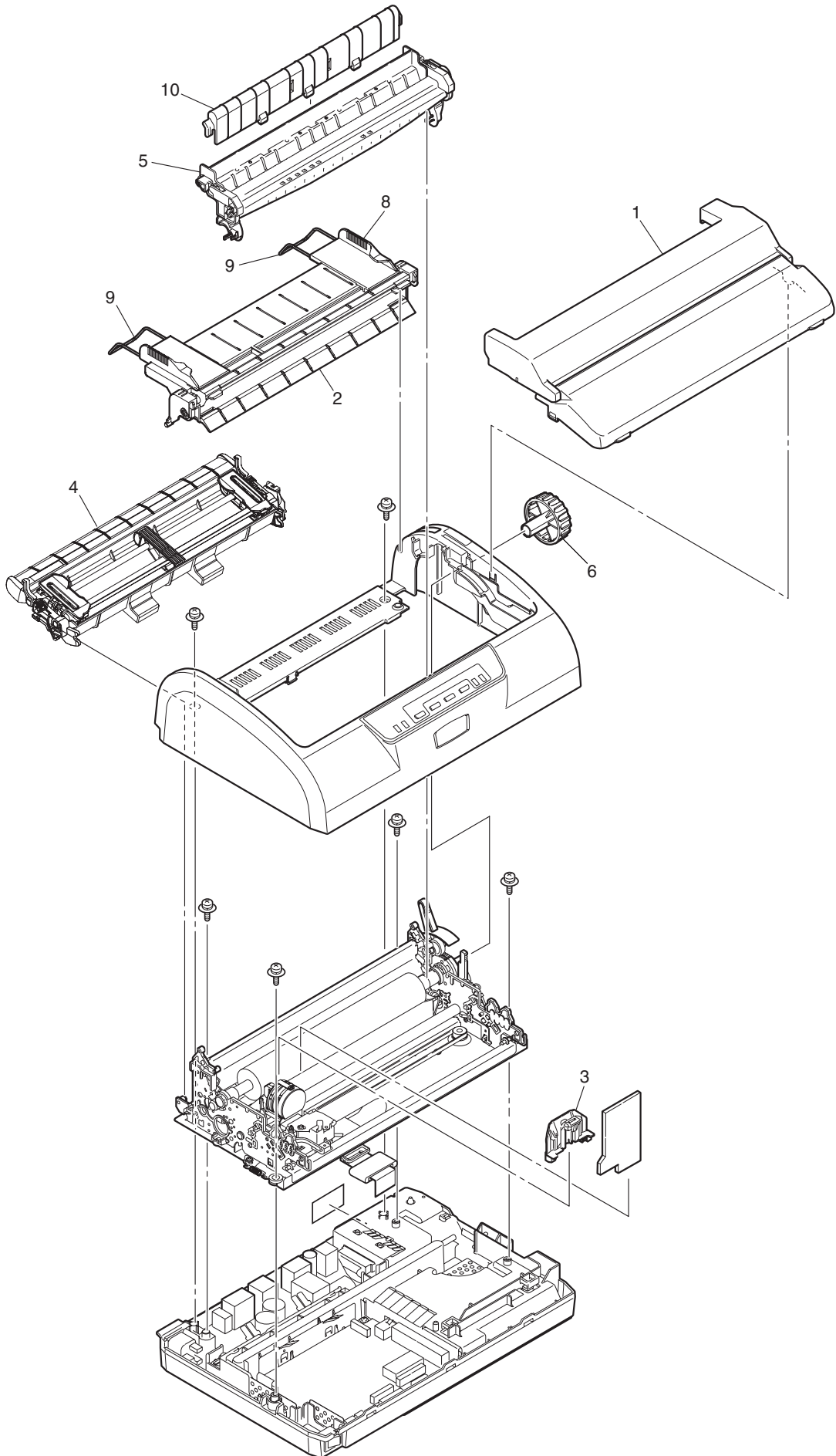
OEL Spare Parts Drawing

ML1120eco

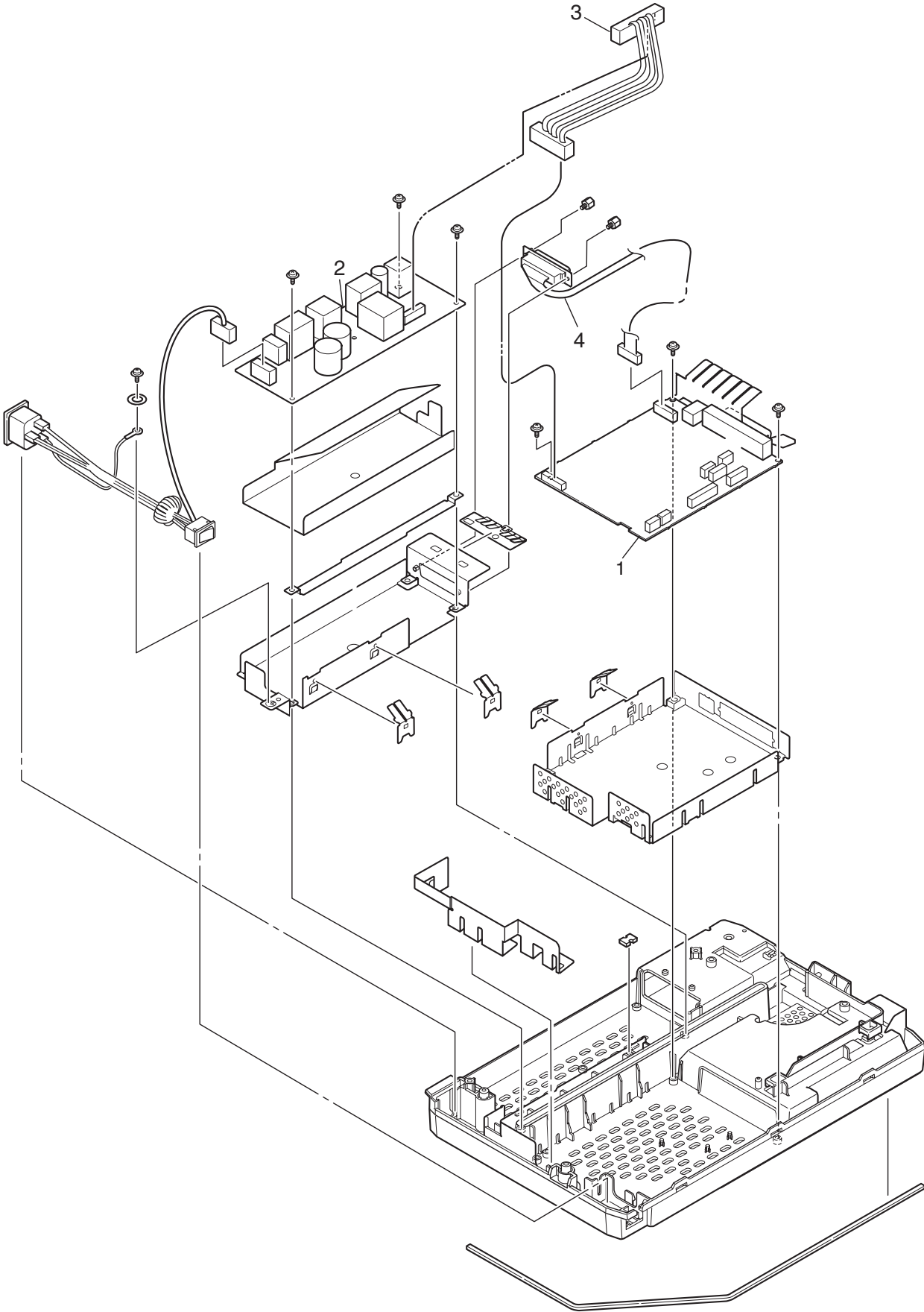


Revision 1

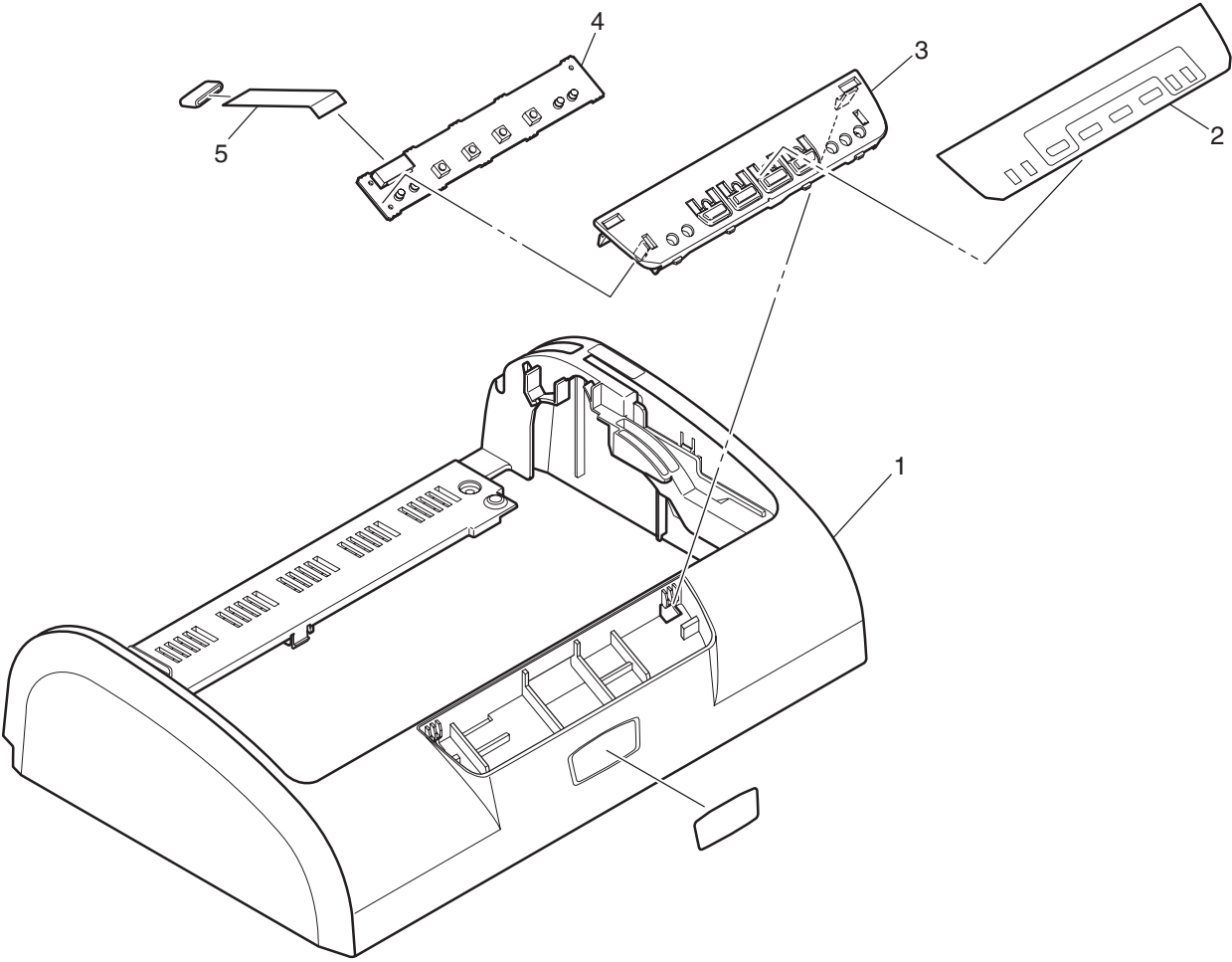
Printer General Assy



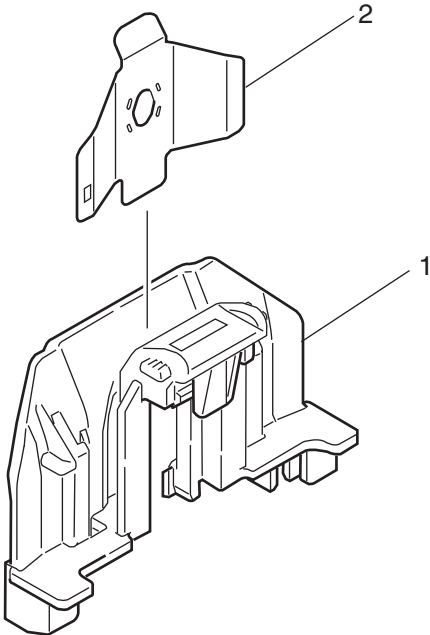
Lower Cover Assy



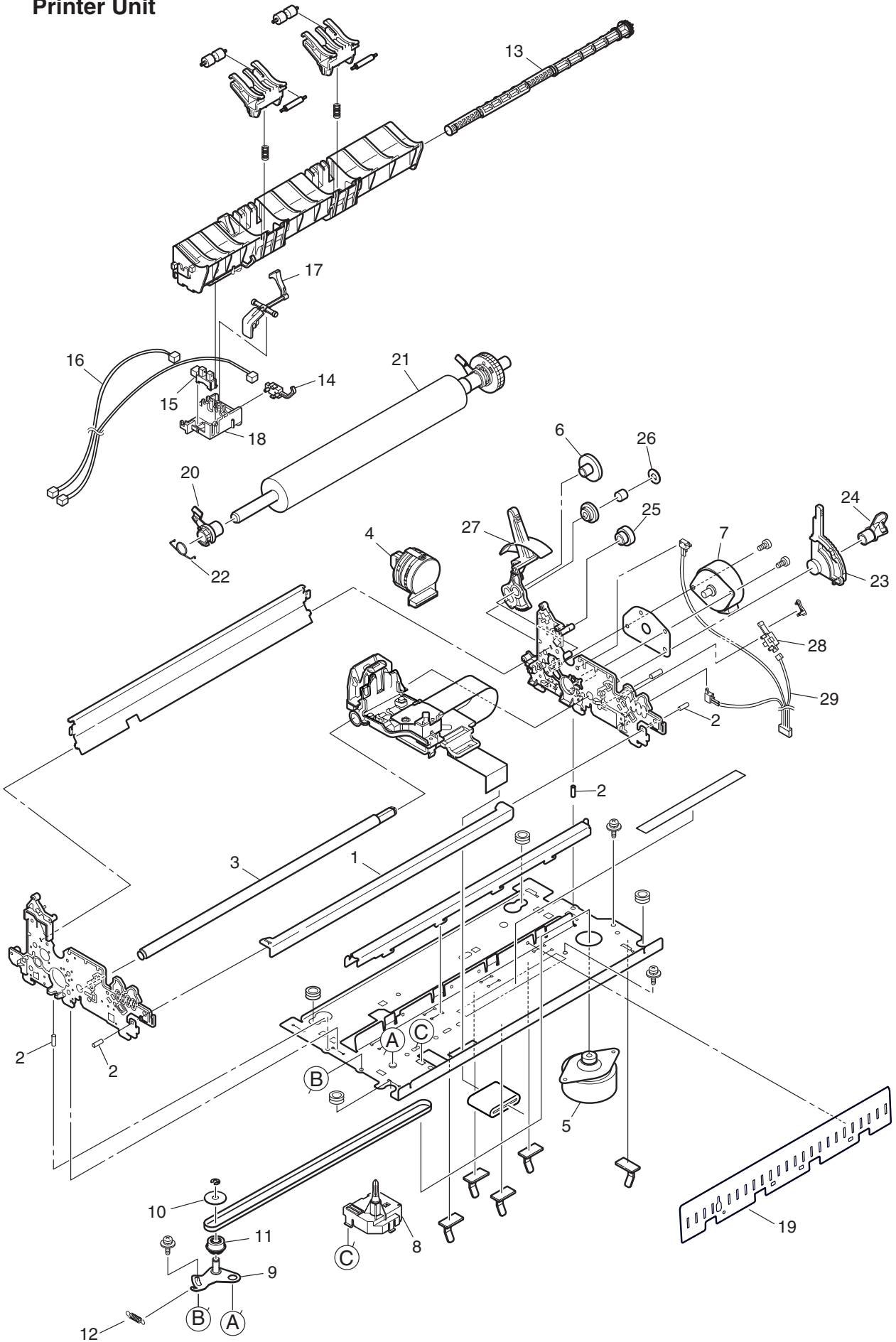
Cover Upper Assy



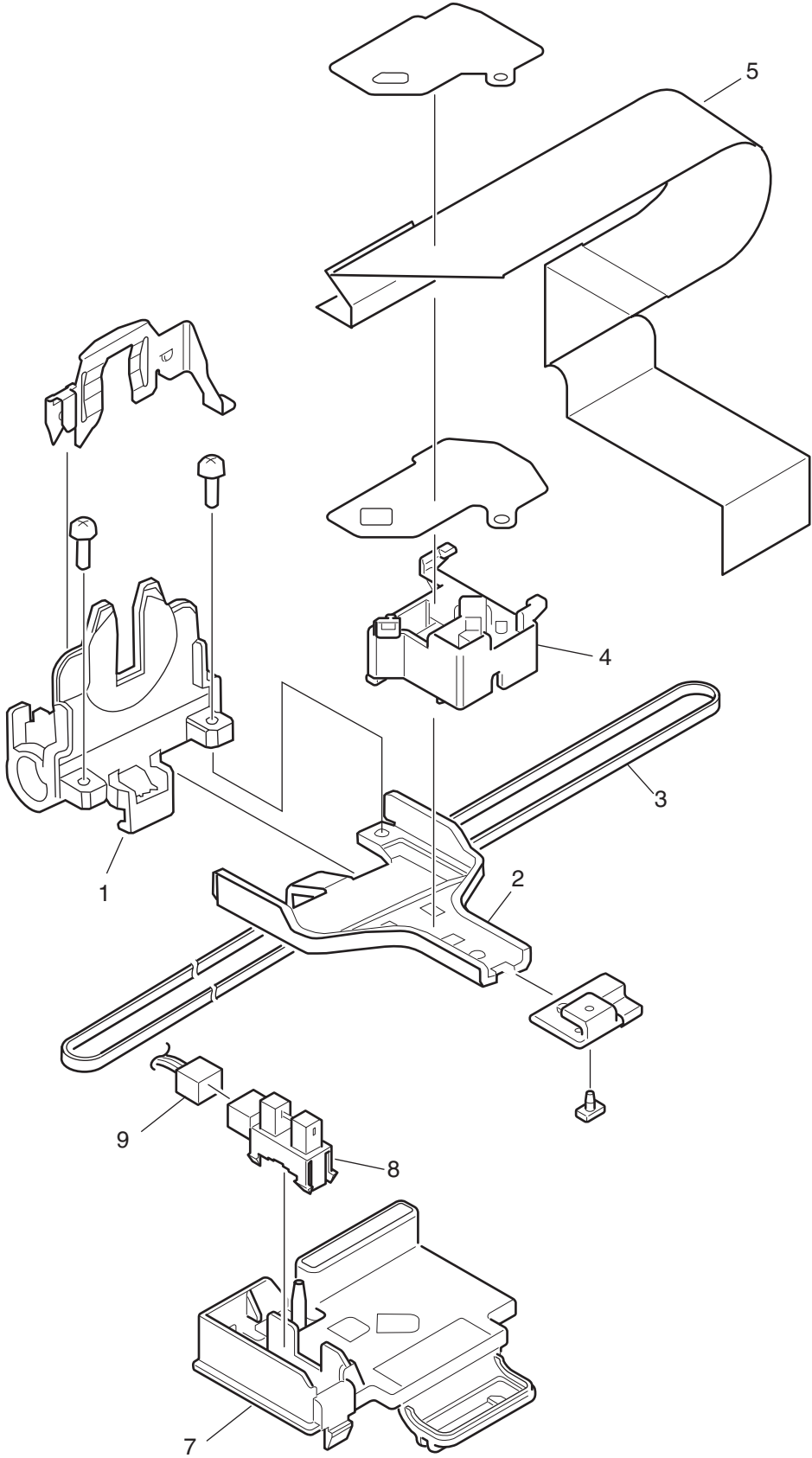
Ribbon Protector Assy



Printer Unit



Carriage Assy



OEL Recommended Spare Parts List

ML1120eco



Revision 6

Rev	Unit Name	No.	Part No.	Part Name	Qty /Unit	Recommended Qty/Year			Remarks	Special	Del/ Add	Remarks for environment
						per 500	per 1000	per 2000				
	Printer general Assy	1	43560101	Cover Assy.-Access	1	1	2	4				-
	Printer general Assy	2	44428101	Cover-Rear	1	1	2	4				-
	Printer general Assy	3	43514501	Ribbon_Protector Assy	1	5	10	20				-
	Printer general Assy	4	44428202	Tractor-Assy	1	2	4	8				-
	Printer general Assy	5	43482501	Pull Up Roller Unit	1	2	4	8				-
	Printer general Assy	6	44056001	Platen_Knob	1	2	4	8				-
	Printer general Assy	8	43560201	Sheet_Guide Assy	1	1	2	4				-
	Printer general Assy	9	43514901	Wire_guide_rear	2	2	4	8				-
	Printer general Assy	10	43655701	Pull_up_guide	1	2	4	8				-
	Lower_Cover Assy	1	45165801	R09-PCB Assy.maintenance Spec.	1	3	6	12	OEL CENTRO+RS+USB			-
	Lower_Cover Assy	2	44752802	PWR unit-ACDC Switch	1	3	6	12	OEL, AOS-AUS, AOS (Plus), ODA 220VAC~240VAC			-
	Lower_Cover Assy	3	44304601	CONN Cord-Wire Power-DC	1	3	6	12				-
	Cover_Upper Assy	1	43483701	Cover_Upper	1	1	2	4				-
	Cover_Upper Assy	2	43483814	Sheet Operation Panel	1	1	2	4	OEL			-
	Cover_Upper Assy	3	43483901	OP Panel Frame	1	1	2	4				-
	Cover_Upper Assy	4	43516302	Board-LSO (PD432 Maintenance parts)	1	3	6	12				-
3	Cover_Upper Assy	5	2381118P0001	20624FWR1. 25-13-130	1	3	6	12				-
	Ribbon_Protector Assy	1	43476201	Ribbon_Protector_Bracket	1	5	10	20				-
	Ribbon_Protector Assy	2	43498001	Ribbon_Protector	1	5	10	20				-
	Printer_Unit	2	SPP3-10SUS	Pin	4	3	6	12	For ODA and OEL only. It is not possible to arrange excluding ODA and OEL.	This part permits the maintenance exchange by the selling company responsibility by the requirement from ODA or OEL.		-
	Printer_Unit	3	43475301	Carriage_Shaft	1	1	2	4	For ODA and OEL only. It is not possible to arrange excluding ODA and OEL.	This part permits the maintenance exchange by the selling company responsibility by the requirement from ODA or OEL.		-
	Printer_Unit	4	43502802	Head	1	20	40	80				-
	Printer_Unit	5	43473701	Stepping_Motor	1	5	10	20				-
	Printer_Unit	6	43487901	Gear 9	1	2	4	8				-
	Printer_Unit	7	43509701	Stepping Motor	1	5	10	20				-
	Printer_Unit	8	43473901	Ribbon Feed Assy	1	2	4	8				-
	Printer_Unit	9	43640701	Idle_pulley_bracket (Weld)	1	2	4	8				-
	Printer_Unit	10	43640801	Washer_idle_pulley	1	2	4	8				-
	Printer_Unit	11	43473801	Idle Pulley	1	2	4	8				-
	Printer_Unit	12	43475001	Spring(Plate tension)	1	2	4	8				-
	Printer_Unit	13	43478601	Shaft_Release	1	2	4	8				-
	Printer_Unit	14	2071052P0001	SSS-57-2AU	1	3	6	12				-
5	Printer_Unit	15	40135301	Photo-Interrupter	1	3	6	12	Apply untill S/N: AW37*****			-
5	Printer_Unit	15	6520028M0001	GP1A173LCS2F	1	3	6	12	Apply from S/N: AW38*****			-
	Printer_Unit	16	43519401	CONN Cord-Sensor (6P)	1	5	10	20				-
	Printer_Unit	17	43536701	sensor_arm	1	1	2	4				-

Rev	Unit Name	No.	Part No.	Part Name	Q'ty /Unit	Recommended Q'ty/Year			Remarks	Special	Del/Add	Remarks for environment
						per 500	per 1000	per 2000				
	Printer_Unit	19	44750701	Spring-Leaf	1	2	4	8				-
	Printer_Unit	20	43480401	Platen_Coller_L	1	1	2	4				-
	Printer_Unit	21	43480201	Platen Assy	1	10	20	40				-
	Printer_Unit	24	43476901	Adjust_Knob	1	1	2	4				-
	Printer_Unit	25	43477301	Pull up gear	1	1	2	4				-
	Printer_Unit	26	43477601	Change washer	1	1	2	4				-
	Printer_Unit	27	43477701	Release lever	1	1	2	4				-
	Printer_Unit	28	43532801	GAP SW	1	3	6	12				-
	Printer_Unit	29	43519501	CONN Cord-Sensor (7P)	1	5	10	20				-
	Carriage Assy	1	44305701	Frame-Carriage	1	1	2	4	For ODA and OEL only. It is not possible to arrange excluding ODA and OEL.	This part permits the maintenance exchange by the selling company responsibility by the requirement from ODA or OEL.		-
2	Carriage Assy	2	44421601	Plate-Carriage	1	1	2	4	For ODA and OEL only. It is not possible to arrange excluding ODA and OEL.	This part permits the maintenance exchange by the selling company responsibility by the requirement from ODA or OEL.		-
	Carriage Assy	3	43476301	SP_Belt	1	3	6	12				-
	Carriage Assy	4	43476401	Guide_Cable	1	1	2	4				-
	Carriage Assy	5	43559801	Head Cord (16) Bending Figure	1	3	6	13				-
	Carriage Assy	7	43514301	Clamp_Head_Cable	1	1	2	4				-
5	Carriage Assy	8	40135301	Photo-Interrupter	1	3	6	13	Apply untill S/N: AW37*****			-
5	Carriage Assy	8	6520028M0001	GP1A173LCS2F	1	3	6	13	Apply from S/N: AW38*****			-
	Carriage Assy	9	43519301	CONN Cord-Sensor (3P)	1	5	10	20				-