



RICOH UNIVERSITY

Learning ♦ Knowledge ♦ Performance



D017/D018/D019/
D020/D084/D085
PARTS CATALOG

003321MIU

LANIER RICOH SAVIN



**D017/D018/D019/
D020/D084/D085
PARTS CATALOG**

**LANIER
RICOH
savin®**



RICOH UNIVERSITY
Learning ♦ Knowledge ♦ Performance

D017/D018/D019/D020/D084/D085 PARTS CATALOG

003321MIU

LANIER RICOH SAVIN®

It is the reader's responsibility when discussing the information contained within this document to maintain a level of confidentiality that is in the best interest of Ricoh Americas Corporation and its member companies.

**NO PART OF THIS DOCUMENT MAY BE REPRODUCED IN ANY
FASHION AND DISTRIBUTED WITHOUT THE PRIOR
PERMISSION OF RICOH AMERICAS CORPORATION.**

All product names, domain names or product illustrations, including desktop images, used in this document are trademarks, registered trademarks or the property of their respective companies.

They are used throughout this book in an informational or editorial fashion only and for the benefit of such companies. No such use, or the use of any trade name, or web site is intended to convey endorsement or other affiliation with Ricoh products.

LEGEND

PRODUCT CODE	COMPANY			
	GESTETNER	LANIER	RICOH	SAVIN
D017	MP 2550B	LD425B	Aficio MP 2550B	9025B
D018	MP 2550SP	LD425SP	Aficio MP 2550SP	9025SP
D019	MP 3350B	LD433B	Aficio MP 3350B	9033B
D020	MP 3350SP	LD433SP	Aficio MP 3350SP	9033SP
D084	MP 2851SP	LD528SP	Afficio MP2851SP	9228S
D085	MP 3351SP	LD533SP	Afficio MP3351SP	9233SP
B391	Large Capacity Tray PS500			
B408	1000 Sheet Finisher SR790			
B793	Booklet Finisher SR3000			
B829	Copy Data Security Unit Type E			
D331	Paper Feed Unit PB3030			
D361/D510	Fax Option Type 3350/3351			
D366	ARDF DF3030			
D367	1-Bin Tray BN3030			
D368	Bridge Unit BU3020			
D369	Duplex Unit AD3000			
D370	Bypass Tray BY3000			
D371	Interchange Unit Type 3350			
D372	Finisher SR3050			
D383	Printer/Scanner Option Type 3350			
D385	Internal Shift Tray SH3010			

DOCUMENTATION HISTORY

REV. NO.	DATE	COMMENTS
*	01/2010	Original Printing

D017/D018/D019/D020/D084/D085

TABLE OF CONTENTS

D017/D018/D019/D020/D084/D085 PARTS LOCATION AND LIST

Location Of Unit.....	2	(D017/D018/D019/D020/D084/D085)	30
1.Exterior 1		13.Toner Hopper Unit	
(D017/D018/D019/D020/D084/D085)	8	(D017/D018/D019/D020/D084/D085)	32
2.Exterior 2		14.PCU Section	
(D017/D018/D019/D020/D084/D085)	10	(D017/D018/D019/D020/D084/D085)	34
3.Operation Panel		15.Transfer Unit	
(D017/D018/D019/D020/D084/D085)	12	(D017/D018/D019/D020/D084/D085)	36
4.Scanner Section 1		16.Fusing Unit 1	
(D017/D018/D019/D020/D084/D085)	14	(D017/D018/D019/D020/D084/D085)	38
5.Scanner Section 2		17.Fusing Unit 2	
(D017/D018/D019/D020/D084/D085)	16	(D017/D018/D019/D020/D084/D085)	40
6.Scanner Section 3		18.Paper Exit	
(D017/D018/D019/D020/D084/D085)	18	(D017/D018/D019/D020/D084/D085)	42
7.Laser Unit		19.Drive Section 1	
(D017/D018/D019/D020/D084/D085)	20	(D017/D018/D019/D020/D084/D085)	44
8.Paper Tray		20.Drive Section 2	
(D017/D018/D019/D020/D084/D085)	22	(D017/D018/D019/D020/D084/D085)	46
9.1st Paper Feed Section		21.Drive Section 3	
(D017/D018/D019/D020/D084/D085)	24	(D017/D018/D019/D020/D084/D085)	48
10.2nd Paper Feed Section		22.Electrical Section 1	
(D017/D018/D019/D020/D084/D085)	26	(D017/D018/D019/D020/D084/D085)	50
11.Vertical Transport		23.Electrical Section 2	
(D017/D018/D019/D020/D084/D085)	28	(D017/D018/D019/D020/D084/D085)	52
12.Paper Registration		24.Electrical Section 3	
		(D017/D018/D019/D020/D084/D085)	54
		25.Frame Section	

(D017/D018/D019/D020/D084/D085)	56
26.BCU Board	
(D017/D018/D019/D020/D084/D085)	58
27.Controller Board	
(D017/D018/D019/D020/D084/D085)	68
28.Decal And Document	
(D017/D018/D019/D020/D084/D085)	84
29.Special Tools	
(D017/D018/D019/D020/D084/D085)	86

**D017/D018/D019/D020/D084/D085 PARTS INDEX
PARTS INDEX 2**

**LARGE CAPACITY TRAY PS500 B391 PARTS LOCATION
AND LIST**

1.Exterior (B391)	2
2.Paper Feed Section (B391)	4
3.Tandem Tray 1 (B391)	6
4.Tandem Tray 2 (B391)	8
5.Tandem Tray 3 (B391)	10
6.Drive/Electrical Section (B391).....	12
7.Decals And Documents (B391)	14

**LARGE CAPACITY TRAY PS500 B391 PARTS INDEX
PARTS INDEX 2**

**1000 SHEET FINISHER SR790 B408 PARTS LOCATION AND
LIST**

1.Exterior (B408).....	2
2.Transport Section (B408)	4
3.Paper Exit Section 1 (B408)	6
4.Paper Exit Section 2 (B408)	8
5.Vertical Transport (B408)	10
6.Staple Section 1 (B408).....	12
7.Staple Section 2 (B408).....	14
8.Staple Section 3 (B408).....	16
9.Shift Tray Drive (B408)	18
10.Drive Section (B408).....	20
11.Electrical Section (B408)	22
12.Decals And Documents (B408)	24

**1000 SHEET FINISHER SR790 B408 PARTS INDEX
PARTS INDEX..... 2**

**BOOKLET FINISHER SR3000 B793 PARTS LOCATION AND
LIST**

1.Exterior (B793).....	2
2.Paper Transfer (B793).....	4
3.Paper Exit (B793)	6
4.Shift Transfer Section (B793)	8
5.Staple Transfer Section 1 (B793)	10

6.Staple Transfer Section 2 (B793).....	12
7.Staple Transfer Section 3 (B793).....	14
8.Jogger Unit (B793).....	16
9.Staple Transfer Section 1 (B793).....	18
10.Staple Transfer Section 2 (B793).....	20
11.Staple Transfer Section 3 (B793).....	22
12.Paper Crimp Section 1 (B793).....	24
13.Paper Crimp Section 2 (B793).....	26
14.Paper Crimp Section 3 (B793).....	28
15.Tray Drive Section (B793).....	30
16.Shift Tray Paper Exit (B793).....	32
17.Drive Section (B793).....	34
18.Electrical Section (B793).....	36
19.Decals And Documents (B793).....	38

**BOOKLET FINISHER SR3000 B793 PARTS INDEX
PARTS INDEX 2**

**COPY DATA SECURITY UNIT TYPE E B829 PARTS
LOCATION AND LIST**

1.Copy Data Security Unit (B829).....	2
---------------------------------------	---

**COPY DATA SECURITY UNIT TYPE E B829 PARTS INDEX
PARTS INDEX 2**

**PAPER FEED UNIT PB3030 D331 PARTS LOCATION AND
LIST**

1.Exterior (D331).....	2
2.Paper Tray (D331).....	4
3.Paper Feed/Transfer (D331).....	6
4.Electrical Section 1 (D331).....	8
5.Electrical Section 2 (D331).....	10
6.Electrical Section 3 (D331).....	12
7.Decal And Documents (D331).....	14

**PAPER FEED UNIT PB3030 D331 PARTS INDEX
PARTS INDEX 2**

FAX OPTION TYPE 3350 D361 PARTS LOCATION AND LIST

1.Fax Option (D361).....	2
2.G3 Unit (D361).....	4

**FAX OPTION TYPE 3350 D361 PARTS INDEX
PARTS INDEX 2**

ARDF DF3030 D366 PARTS LOCATION AND LIST

1.Exterior (D366).....	2
2.Original Feed Section 1 (D366).....	4
3.Original Feed Section 2 (D366).....	6
4.Original Transfer Section (D366).....	8

5.Original Exit (D366)	10
6.Drive Section (D366)	12
7.Frame Section (D366)	14
8.Decals And Documents (D366).....	16

**ARDF DF3030 D366 PARTS INDEX
PARTS INDEX 2**

**1-BIN TRAY BN3030 D367 PARTS LOCATION AND LIST
1.1 Bin Tray (D367) 2**

**1-BIN TRAY BN3030 D367 PARTS INDEX
PARTS INDEX 2**

**BRIDGE UNIT BU3020 D368 PARTS LOCATION AND LIST
1.Bridge Unit 1 (D368)..... 2
2.Bridge Unit 2 (D368)..... 4
3.Bridge Unit 3 (D368)..... 6**

**BRIDGE UNIT BU3020 D368 PARTS INDEX
PARTS INDEX 2**

**DUPLEX UNIT AD3000 D369 PARTS LOCATION AND LIST
1.Duplex Unit 1 (D369)..... 2
2.Duplex Unit 2 (D369)..... 4
3.Duplex Unit 3 (D369)..... 6**

4.Duplex Unit 4 (D369).....	8
5.Duplex Unit 5 (D369).....	10
6.Duplex Unit 6 (D369).....	12

**DUPLEX UNIT AD3000 D369 PARTS INDEX
PARTS INDEX 2**

**BYPASS TRAY BY3000 D370 PARTS LOCATION AND LIST
1.By-Pass Tray 1 (D370)..... 2
2.By-Pass Tray 2 (D370)..... 4**

**BYPASS TRAY BY3000 D370 PARTS INDEX
PARTS INDEX 2**

**INTERCHANGE UNIT TYPE 3350 D371 PARTS LOCATION
AND LIST
1.Interchange Unit 1 (D371)..... 2**

**INTERCHANGE UNIT TYPE 3350 D371 PARTS INDEX
PARTS INDEX 2**

**FINISHER SR3050 D372 PARTS LOCATION AND LIST
1.Exterior (D372) 2
2.Paper Transfer 1 (D372)..... 4
3.Paper Transfer 2 (D372)..... 6
4.Jogger Unit 1 (D372) 8**

5.Jogger Unit 2 (D372).....	10
6.Stapler Unit (D372).....	12
7.Paper Exit (D372).....	14
8.Drive Section (D372).....	16

FINISHER SR3050 D372 PARTS INDEX

PARTS INDEX	2
--------------------------	----------

**PRINTER/SCANNER OPTION TYPE 3350 D383 PARTS
LOCATION AND LIST**

1.Printer/Scanner Option 1 (D383).....	2
2. Printer/Scanner Option 2 (B829/D362/D377/D383)	4

**PRINTER/SCANNER OPTION TYPE 3350 D383 PARTS
INDEX**

PARTS INDEX	2
--------------------------	----------

**INTERNAL SHIFT TRAY SH3010 D385 PARTS LOCATION
AND LIST**

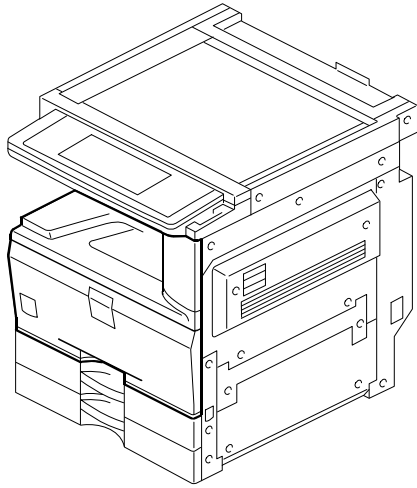
1.Internal Shift Tray (D385).....	2
-----------------------------------	---

INTERNAL SHIFT TRAY SH3010 D385 PARTS INDEX

PARTS INDEX	2
--------------------------	----------

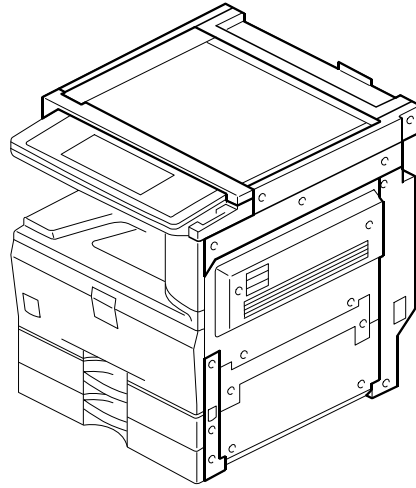
LOCATIONS OF UNITS

1. Exterior 1
(D017/D018/D019/D020/D084/D085)



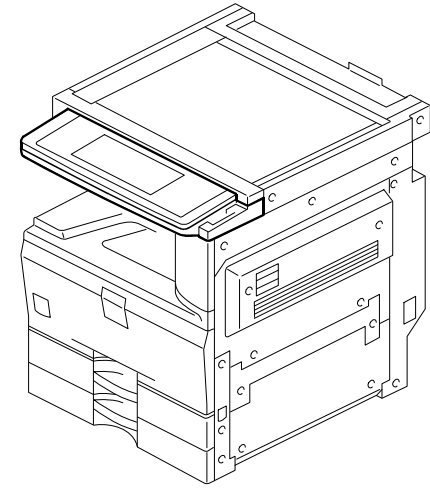
See Page 9

2. Exterior 2
(D017/D018/D019/D020/D084/D085)



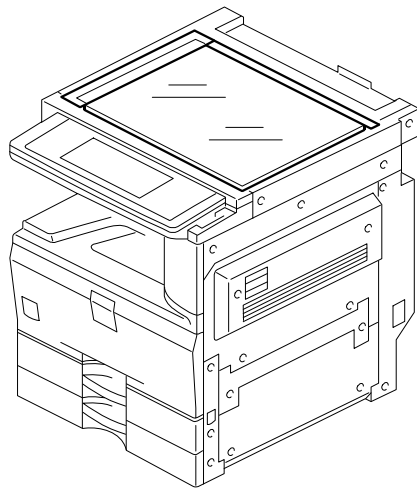
See Page 11

3. Operation Panel
(D017/D018/D019/D020/D084/D085)



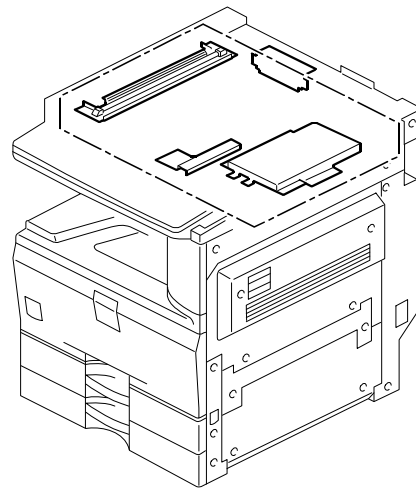
See Page 13

4. Scanner Section 1
(D017/D018/D019/D020/D084 D085)



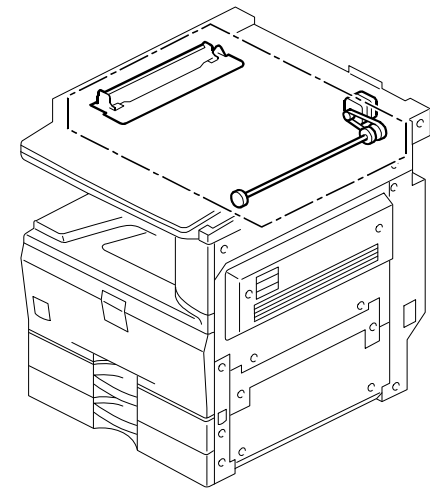
See Page 15

5. Scanner Section 2
(D017/D018/D019/D020/D084/D085)



See Page 17

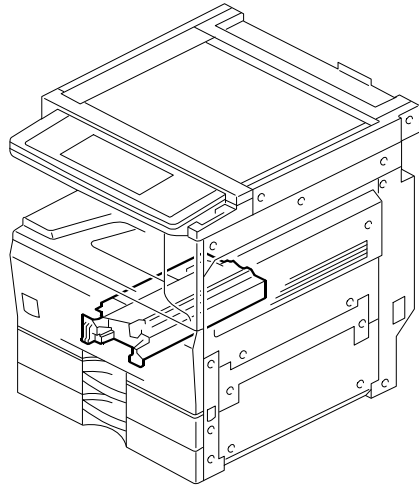
6. Scanner Section 3
(D017/D018/D019/D020/D084/D085)



See Page 19

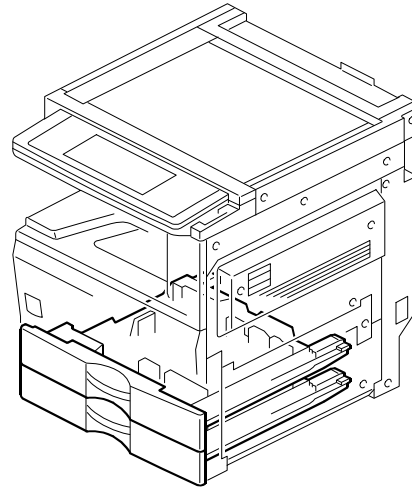
LOCATIONS OF UNITS

7. Laser Unit
(D017/D018/D019/D020/D084/D085)



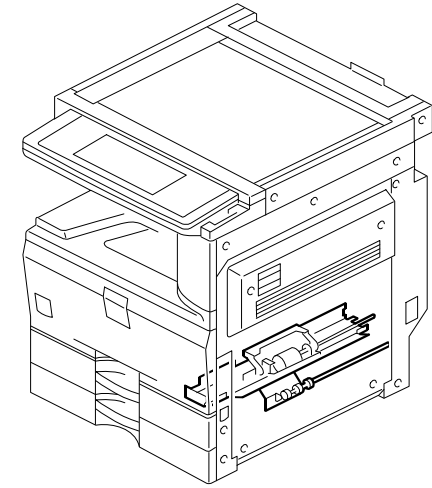
See Page 21

8. Paper Tray
(D017/D018/D019/D020/D084/D085)



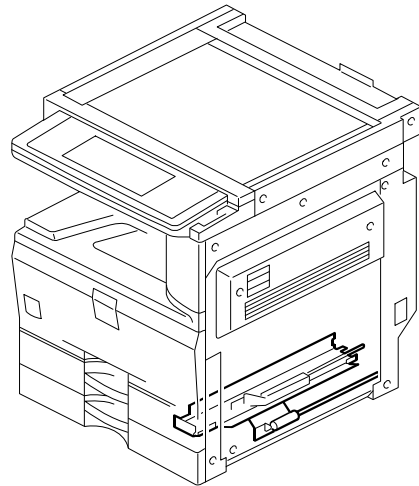
See Page 23

9. 1st Paper Feed Section
(D017/D018/D019/D020/D084/D085)



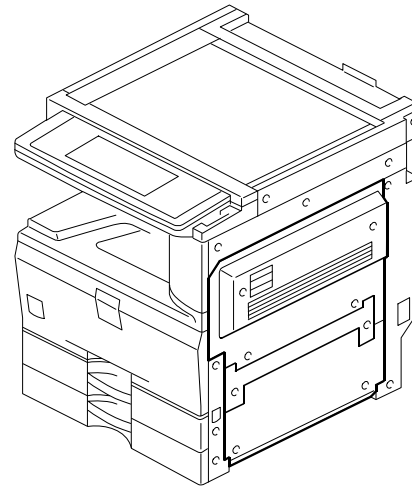
See Page 25

10. 2nd Paper Feed Section
(D017/D018/D019/D020/D084/D085)



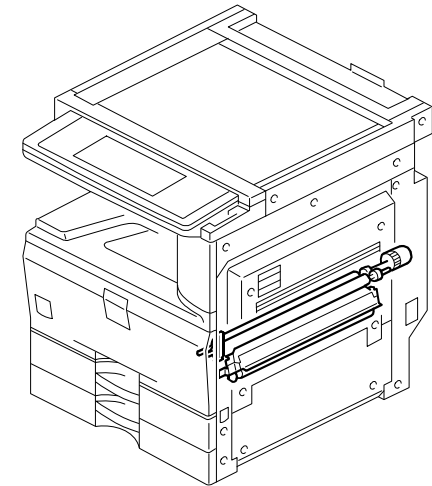
See Page 27

11. Vertical Transport
(D017/D018/D019/D020/D084/D085)



See Page 29

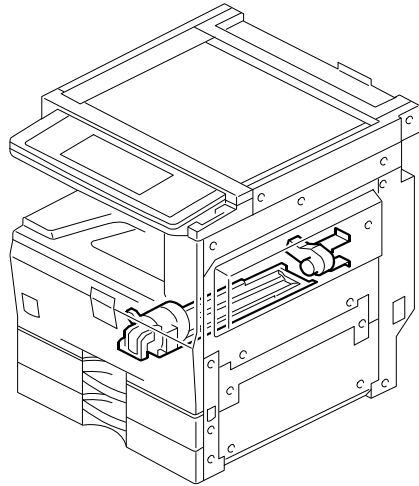
12. Paper Registration
(D017/D018/D019/D020/D084/D085)



See Page 31

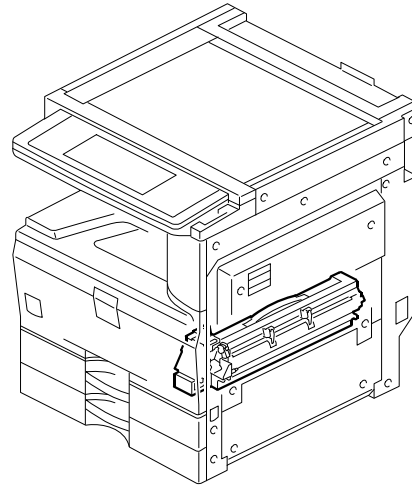
LOCATIONS OF UNITS

13. Toner Hopper Unit
(D017/D018/D019/D020/D084/D085)



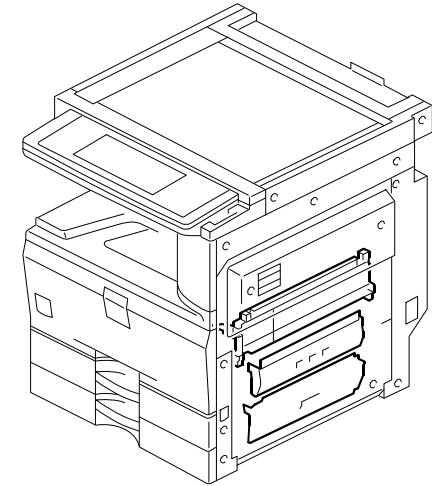
See Page 33

14. PCU Section
(D017/D018/D019/D020/D084/D085)



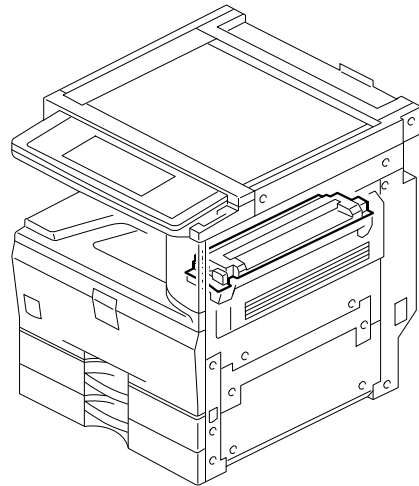
See Page 35

15. Transfer Unit
(D017/D018/D019/D020/D084/D085)



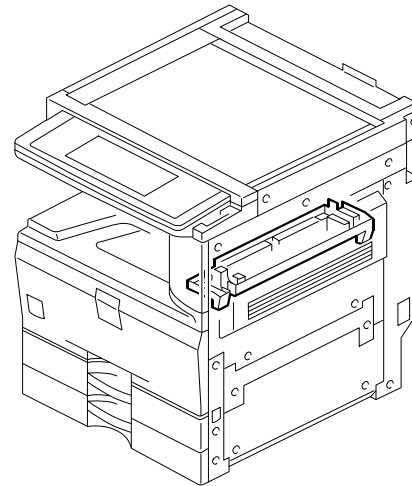
See Page 37

16. Fusing Unit 1
(D017/D018/D019/D020/D084/D085)



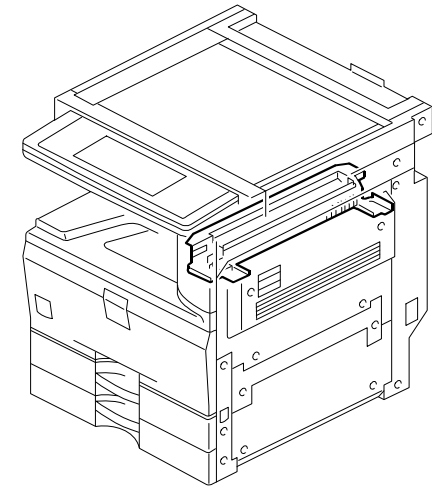
See Page 39

17. Fusing Unit 2
(D017/D018/D019/D020/D084/D085)



See Page 41

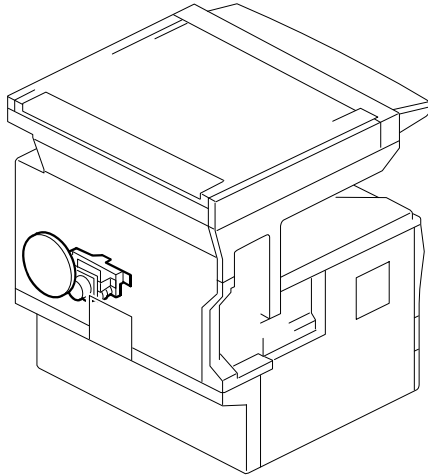
18. Paper Exit
(D017/D018/D019/D020/D084/D085)



See Page 43

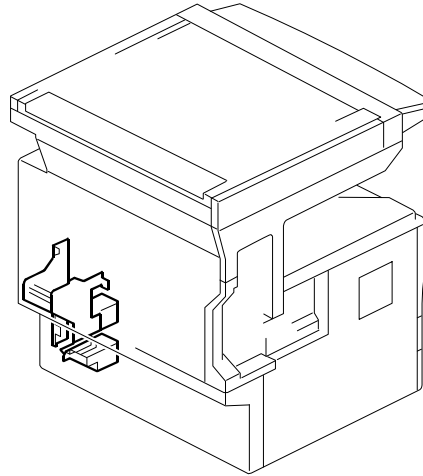
LOCATIONS OF UNITS

19. Drive Section 1
(D017/D018/D019/D020/D084/D085)



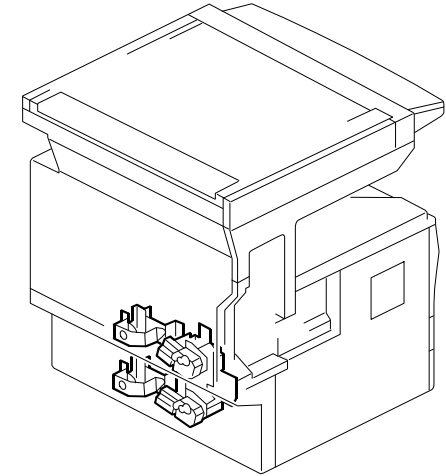
See Page 45

20. Drive Section 2
(D017/D018/D019/D020/D084/D085)



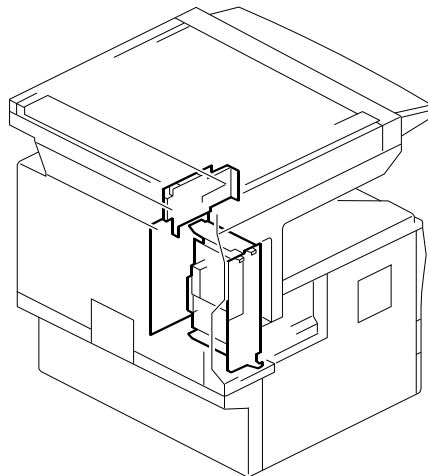
See Page 47

21. Drive Section 3
(D017/D018/D019/D020/D084/D085)



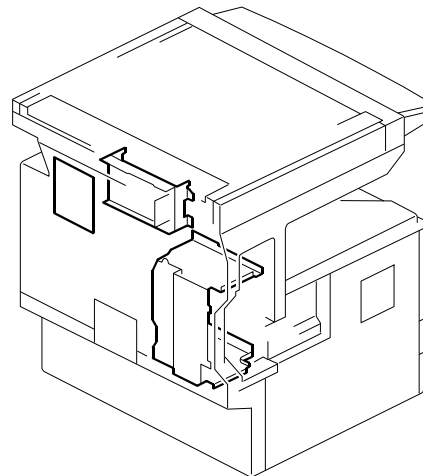
See Page 49

22. Electrical Section 1
(D017/D018/D019/D020/D084/D085)



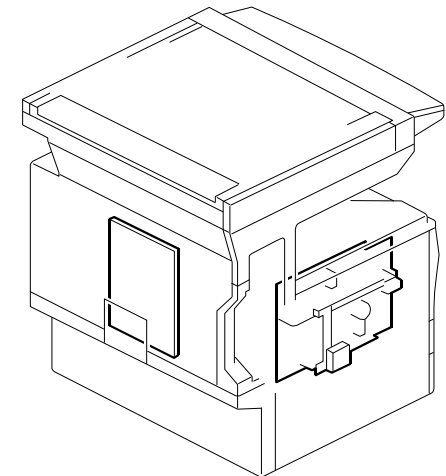
See Page 51

23. Electrical Section 2
(D017/D018/D019/D020/D084/D085)



See Page 53

24. Electrical Section 3
(D017/D018/D019/D020/D084/D085)

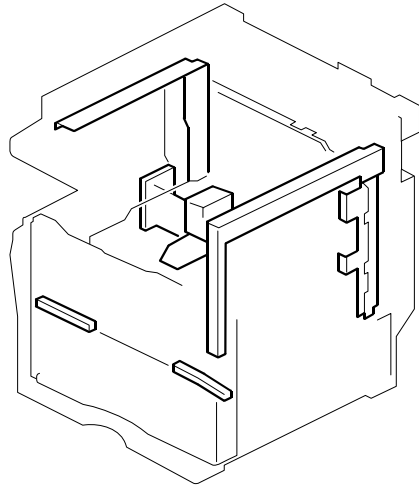


See Page 55

LOCATIONS OF UNITS

25. Frame Section

(D017/D018/D019/D020/D084/D085)

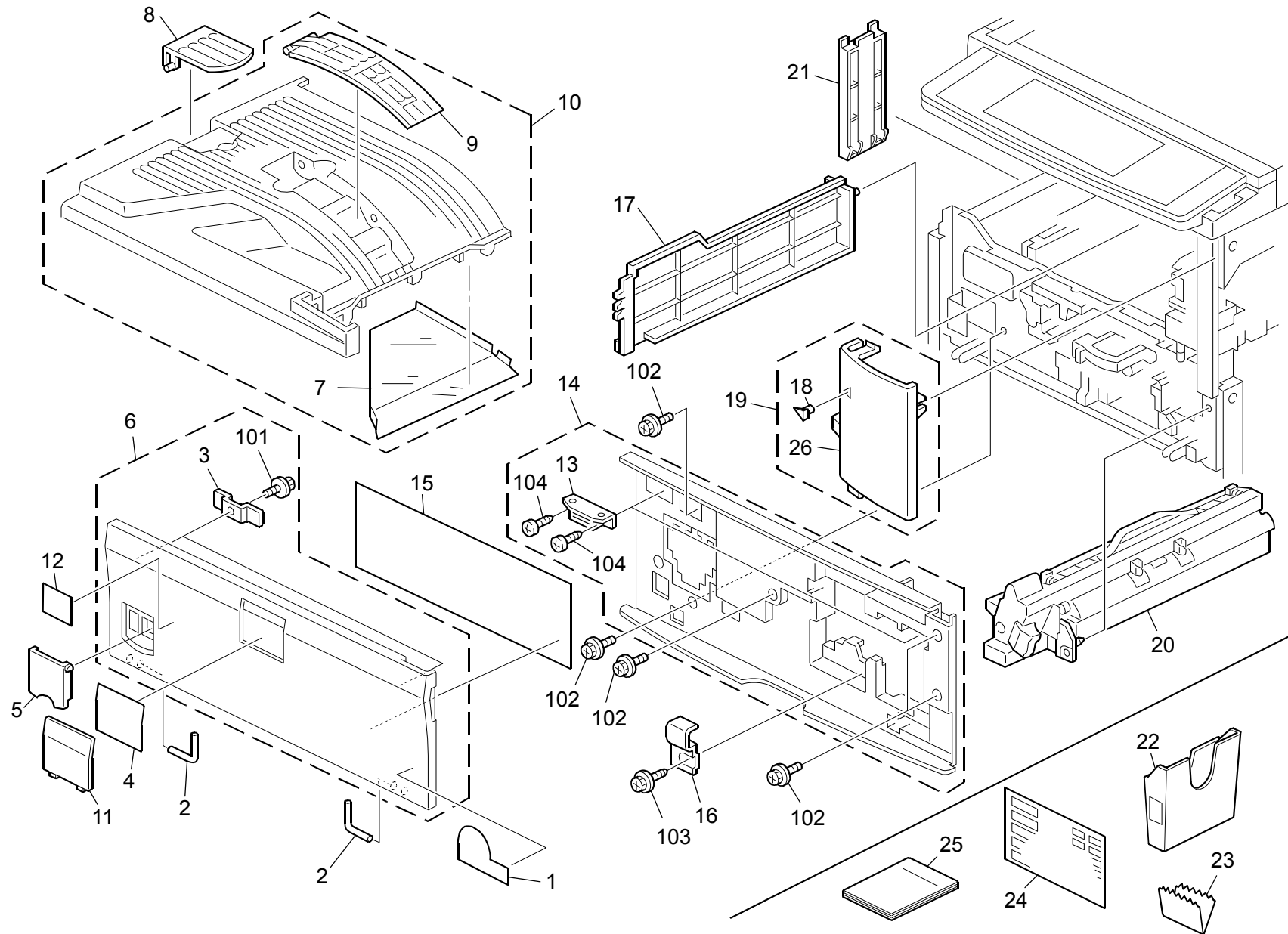


See Page 57

D017/D018/D019/D020/D084/D085
PARTS LOCATION AND LIST

This section shows you the part numbers and descriptions used on this machine.

1.Exterior 1 (D017/D018/D019/D020/D084/D085)



1.Exterior 1 (D017/D018/D019/D020/D084/D085)

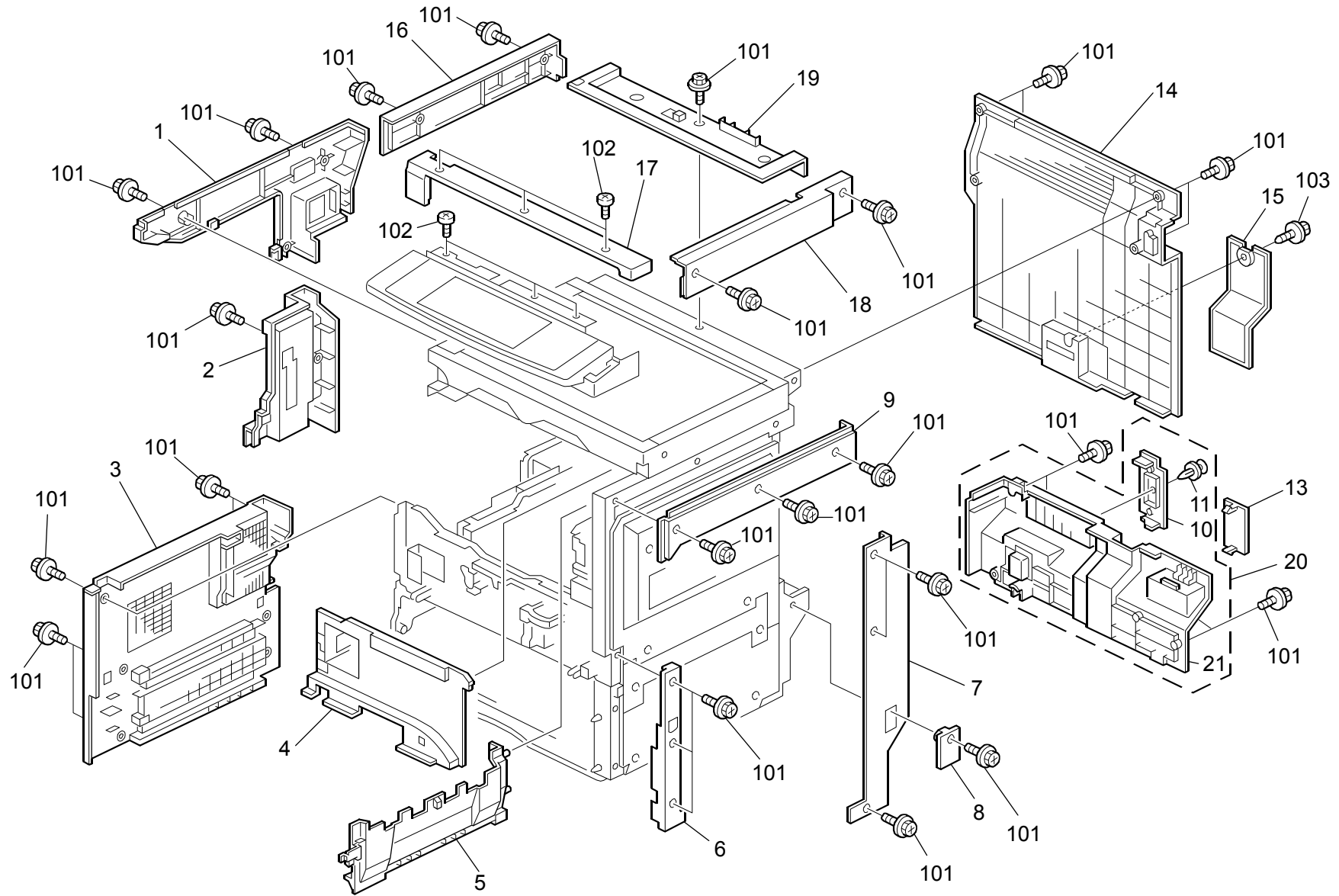
Index No.	Part No.	Description	Q'ty Per Assembly
1	AA00 1477	Decal: Energy-Star	1
2	G020 1332	Hinge - Front Cover	2
3	B090 1264	Magnet Catch: Door: Front	2
4	D017 8600	Model Name Plate: RIC: 2550B	1
4	D017 8601	Model Name Plate: SVN: 9025B	1
4	D017 8602	Model Name Plate: LAN: LD425B	1
4	D017 8603	Model Name Plate: LAN: 2550B	1
4	D017 8604	Model Name Plate: NSA: 2550B	1
4	D017 8605	Model Name Plate: REX: 2550B	1
4	D017 8606	Model Name Plate: GES: 2550B: EU	1
4	D017 8607	Model Name Plate: GES: 2550B	1
4	D017 8608	Model Name Plate: INF: 2550B	1
4	D017 8609	Model Name Plate: RIC: 2591	1
4	D017 8610	Model Name Plate: GES: 2591	1
4	D018 8600	Model Name Plate: RIC: 2550	1
4	D018 8601	Model Name Plate: SVN: 9025	1
4	D018 8602	Model Name Plate: LAN: LD425	1
4	D018 8603	Model Name Plate: LAN: 2550	1
4	D018 8604	Model Name Plate: NSA: 2550	1
4	D018 8605	Model Name Plate: REX: 2550	1
4	D018 8606	Model Name Plate: GES: 2550: EU	1
4	D018 8607	Model Name Plate: GES: 2550	1
4	D018 8608	Model Name Plate: INF: 2550	1
4	D019 8600	Model Name Plate: RIC: 3350B	1
4	D019 8601	Model Name Plate: SVN: 9033B	1
4	D019 8602	Model Name Plate: LAN: LD433B	1
4	D019 8603	Model Name Plate: LAN: 3350B	1
4	D019 8604	Model Name Plate: NSA: 3350B	1
4	D019 8605	Model Name Plate: REX: 3350B	1
4	D019 8606	Model Name Plate: GES: 3350B: EU	1
4	D019 8607	Model Name Plate: GES: 3350B	1
4	D019 8608	Model Name Plate: INF: 3350B	1
4	D019 8609	Model Name Plate: RIC: 3391	1
4	D019 8610	Model Name Plate: GES: 3391	1
4	D020 8600	Model Name Plate: RIC: 3350	1

Index No.	Part No.	Description	Q'ty Per Assembly
4	D020 8601	Model Name Plate: SVN: 9033	1
4	D020 8602	Model Name Plate: LAN: LD433	1
4	D020 8603	Model Name Plate: LAN: 3350	1
4	D020 8604	Model Name Plate: NSA: 3350	1
4	D020 8605	Model Name Plate: REX: 3350	1
4	D020 8606	Model Name Plate: GES: 3350: EU	1
4	D020 8607	Model Name Plate: GES: 3350	1
4	D020 8608	Model Name Plate: INF: 3350	1
4	D084 8600	Sheet: EMBLEM: 28: RIC (D084)	1
4	D084 8604	Sheet: EMBLEM: 28: NAS (D084)	1
4	D084 8605	Sheet: EMBLEM: 28: REX (D084)	1
4	D084 8606	Sheet: EMBLEM: 28: GES: EU (D084)	1
4	D084 8607	Sheet: EMBLEM: 28: GES: NA (D084)	1
4	D084 8608	Sheet: EMBLEM: 28: INF (D084)	1
4	D085 8600	Sheet: EMBLEM: 33: RIC (D085)	1
5	D085 8604	Sheet: EMBLEM: 33: NAS (D085)	1
5	D085 8605	Sheet: EMBLEM: 33: REX (D085)	1
5	D085 8606	Sheet: EMBLEM: 33: GES: EU (D085)	1
5	D085 8607	Sheet: EMBLEM: 33: GES: NA (D085)	1
5	D085 8608	Sheet: EMBLEM: 33: INF (D085)	1
5	B090 1302	Cover: Main Switch	1
6	D019 1261	Front Door - NA	1
6	D019 1266	Front Door - EU	1
7	A267 1342	Shield Duct	1
8	D019 1349	End Fence - Paper	1
9	D019 1348	Support Tray - Paper Exit	1
10	D019 1343	Exit Cover	1
10	D019 1361	Exit Cover EU	1
11	B132 1531	Panel: Logo	1
12	B132 1573	Decal - Power Source: Off	1
12	B132 1572	Decal: Power Source: Off: DOM	1
13	AG07 0504	Magnet Catch: 44.1N	2
14	D019 1330	Front Cover	1
15	D019 1268	Sheet: Operation Instructions	1
16	B090 1265	Cover: Shield Glass: C	1

Index No.	Part No.	Description	Q'ty Per Assembly
17	D019 1308	Upper Cover - Paper Exit NA	1
17	D019 1328	Upper Exit Cover - EU	1
18	A267 1325	Cap - LED	1
19	D019 1326	Front Cover - Right Upper NA	1
19	D019 1329	Front Cover - Right Upper EU	1
20	B205 0151	PCU Unit	1
21	D019 1099	Guide Plate: Scanner: Packing	1
22	B065 1371	Cloth Holder	1
23	B065 1374	Cloth - DF Exposure Glass	1
24	B238 2524	Decal - Paper Size	1
25	D376 7901	Seal: Caution: 18Languages (D084/D085)	1
25	D376 7905	Sheet: EULA: 18Languages: CHN (D084/D085)	1
26	D019 1321	Cover: Front: Right Upper: NA	1
26	D019 1322	Front Cover - Right Upper EU	1

Index No.	Part No.	Description	Q'ty Per Assembly
101	0450 3008N	Tapping Screw - M3x8	
102	0451 3008N	Tapping Screw - M3x8	
103	0450 3010N	Tapping Screw - M3x10	
104	0434 0082N	Tapping Screw - M4x8	

2.Exterior 2 (D017/D018/D019/D020/D084/D085)



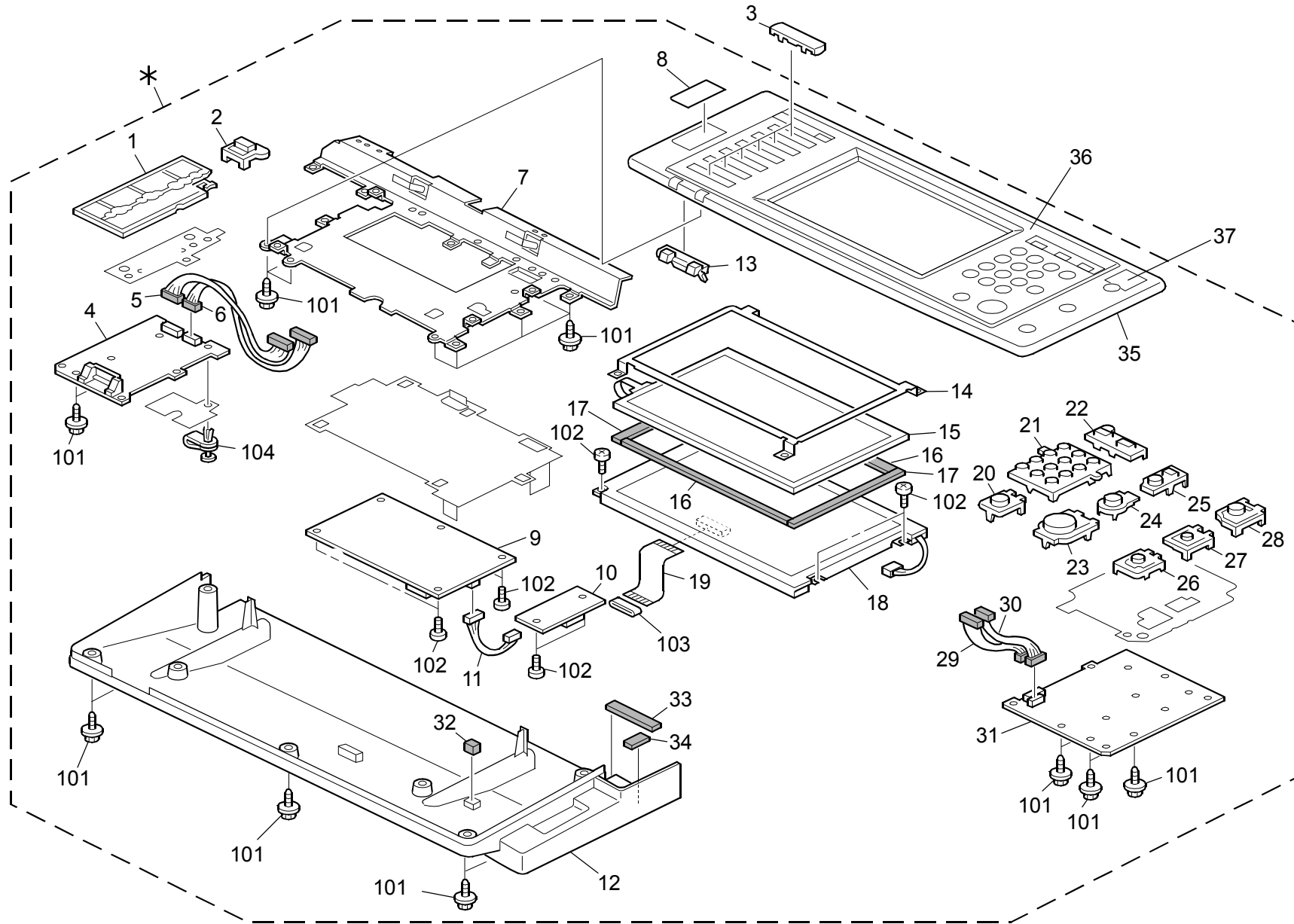
2.Exterior 2 (D017/D018/D019/D020/D084/D085)

Index No.	Part No.	Description	Q'ty Per Assembly
1	D019 1283	Left Upper Cover - NA	1
1	D019 1357	Left Upper Cover - EU	1
2	D019 1285	Left Rear - NA	1
2	D019 1359	Left Rear Cover - EU	1
2	D019 1282	Cover: Left Rear: MONO	1
2	D019 1379	Cover: Left Rear: EU: Color	1
3	D019 1284	Left Cover - NA	1
3	D019 1358	Left Cover - EU	1
4	D019 1307	Rear Cover - Paper Exit NA	1
4	D019 1327	Rear Exit Cover - EU	1
5	D019 1346	Lower Cover - Paper Exit	1
5	D019 1347	Lower Exit Cover - EU	1
6	D019 1279	Right Front Cover - NA	1
6	D019 1356	Right Front Cover - EU	1
7	D019 1278	Right Rear Cover - NA	1
7	D019 1355	Right Rear Cover - EU	1
8	D019 1371	Connector Cap - Vertical Transport	1
9	D019 1277	Right Cover - NA	1
9	D019 1354	Right Cover - EU	1
10	B090 1375	Cap: Heater: Dehumidifier	1
11	B039 1367	Rivet - M6	1
12	D019 1296	Right Rear Cover	1
12	D019 1393	Right Rear Cover - Lower EU	1
13	D019 1365	CAP: 38x77	1
	B024 1365	O/O (200906 PCIL)	
14	D019 1294	Rear Cover	1
14	D019 1390	Rear Cover - EU	1
15	D019 1376	Cap - Paper Feed Table NA	1
15	D019 1378	Cap - Paper Feed Table EU	1
16	D019 1254	Left Scanner Cover - NA	1
16	D019 1350	Left Scanner Cover - EU	1
17	D019 1257	Cover: Scanner: Front Upper: NA	1
17	D019 1353	Front Scanner Cover - EU	1
18	D019 1256	Upper Scanner Cover - Front NA	1
18	D019 1352	Right Scanner Cover - EU	1

Index No.	Part No.	Description	Q'ty Per Assembly
19	D019 1255	Upper Scanner Cover - Rear NA	1
19	D019 1351	Rear Scanner Cover - EU	1
19	B237 1367	Scanner Cover - Rear EU	1
20	D019 1296	Cover: Paper Feed Sub-Unit: Rear	1
20	D019 1393	Cover: Paper Feed Sub-Unit: Rear: EU	1
21	D019 1295	Right Rear Cover - Lower Only NA	1
21	D019 1391	Right Rear Cover - Lower Only EU	1
22	D019 1077	Bracket: Scanning: Rear Left	1
23	D019 1087	Bracket: Scanning: Front Left	1
24	D019 1095	Bracket: Scanning: Front Right	1
25	D019 1098	Bracket: Scanning: Rear Right	1
101	0451 3008N	Tapping Screw - M3x8	
102	0353 0050N	Screw-M3x5	
103	0450 3010N	Tapping Screw - M3x10	

3.Operation Panel (D017/D018/D019/D020/D084/D085)

Rev. 09/02/2010



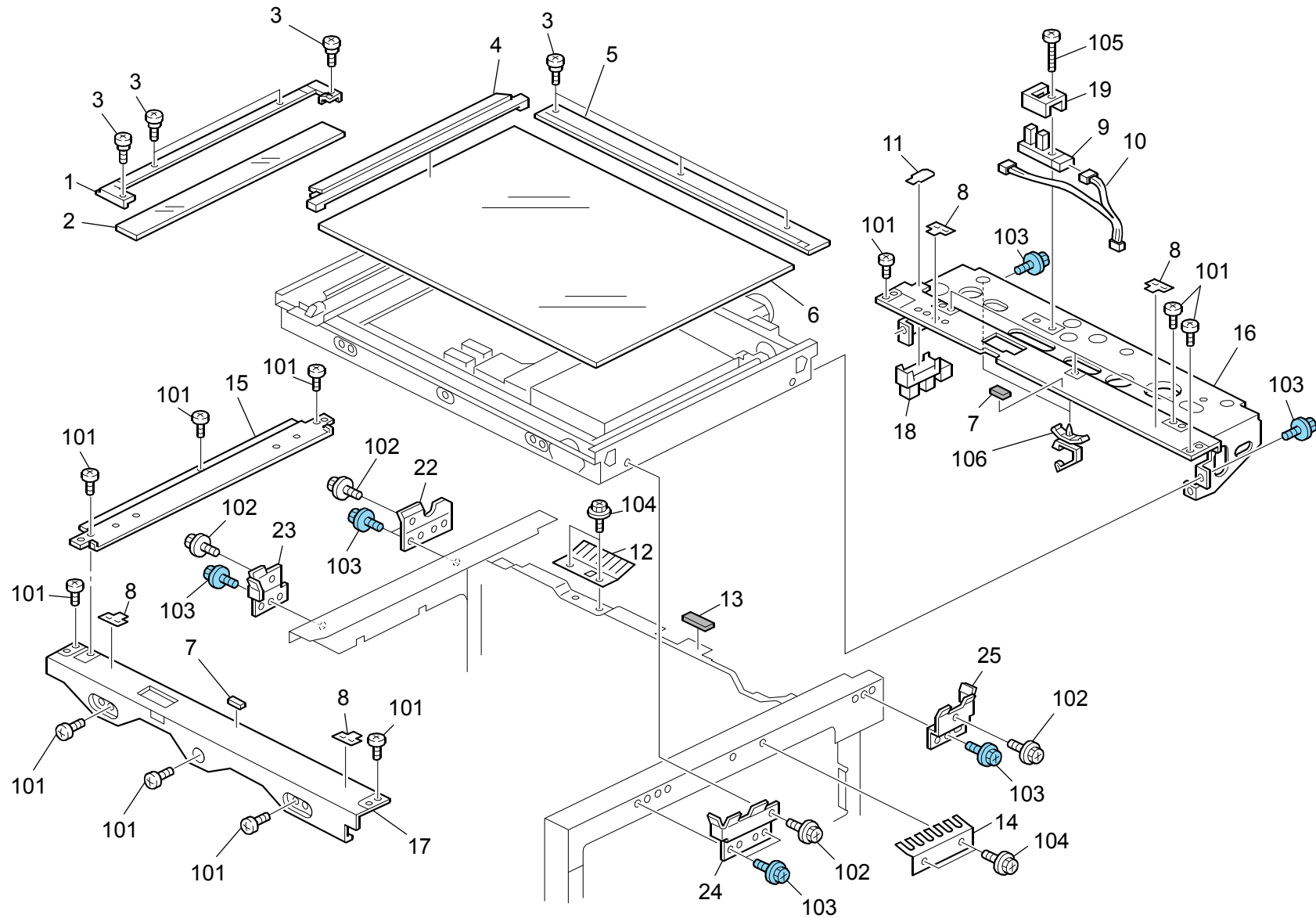
3.Operation Panel (D017/D018/D019/D020/D084/D085)

Rev. 4/14/2011

Index No.	Part No.	Description	Q'ty Per Assembly
*	D019 1441	Operation Sub-Unit: RU-C5: NA: Ass'y	1
*	D019 1442	Operation Sub-Unit: RU-C5: EU: Ass'y	1
*	D019 1443	Operation Panel - TWN/AA	1
1	B238 1547	Spacer - Keytop	1
2	B238 1511	Keytop - Counter	1
3	B223 1518	Keytop - Blank FB	6
3	B223 1528	Keytop - Copy NA	1
3	B223 1529	Keytop - Doc NA	1
3	B223 1531	Keytop: Printer: NA	1
3	B223 1532	Keytop: Scanner: NA	1
3	B223 1533	Keytop: Function: NA (D084/D085)	1
3	B223 1534	Keytop: Copy: EU	1
3	B223 1535	Keytop: DOC: EU	1
3	B223 1537	Keytop: Printer: EU	1
3	B223 1538	Keytop: Scanner: EU	1
3	B223 1539	Keytop: Function: EU (D084/D085)	1
4	B223 1497	PCB: APC1: OP-L: Sub-Ass'y	1
5	D009 1480	Harness: OP-R: 10	1
6	D009 1481	Harness: OP-R: 13	1
7	D019 1505	Bracket - LCDC Board	1
8	B238 1540	Sheet: Data: Display: NA	1
9	D019 1481	LCDC Board - NA	1
9	D019 1482	LCDC Board - EU	1
9	D019 1463	LCDC Board - TWN/AA	1
10	D009 1486	Inverter: TFT	1
11	D009 1484	Harness: Inverter	1
12	D019 1502	Lower Cover - Operation Panel	1
13	B238 1519	Lens - Front	1
14	D009 1504	Shading Plate: Touch Panel	5
15	D009 1488	Touch Panel: W-VGA: MA	1
16	B238 1534	LCD Spacer A	1
17	B238 1535	LCD Spacer B	1
18	D009 1498	LCD: TFT: W-VGA: MV	1
19	D009 1487	Cable: FFC: TFT: LCD	1
20	B223 1520	Keytop - Clear/Stop	1

Index No.	Part No.	Description	Q'ty Per Assembly
21	B223 1540	Keytop: 10Key: NA	1
21	B223 1521	Keytop: 10Key	1
21	B223 1541	Keytop - 10Key AA	1
22	B238 1583	Keytop - Clear Modes	1
23	B238 1504	Keytop - Start	2
24	B238 1506	Keytop - Try Print	2
25	B238 1509	Keytop - Interrupt	1
26	B238 1552	Keytop - Kantan	1
27	B238 1550	Keytop - Login	1
28	B238 1549	Keytop - Power Source	1
29	D009 1483	Harness: OP-L: 13	1
30	D009 1482	Harness: OP-L: 12	1
31	D009 1470	PCB: OP-R	1
32	D019 1522	Cushion Operation Sub Unit: Front	1
33	D019 1520	Seal Operation Sub Unit: A	1
34	D019 1521	Seal Operation Sub Unit: B	1
35	D009 1501	Cover: Upper	1
35	D009 1551	Cover: Upper: NA	1
36	D009 1556	Panel: Upper: NA [TSB#002]	1
36	D009 1557	Panel: Upper: EU [TSB#002]	1
37	B238 1539	Sheet: Power Source: Display: NA [TSB#002]	1
37	B286 1479	Sheet: Power Source: B286: EU [TSB#002]	1
101	0450 3010N	Tapping Screw - M3x10	
102	0353 0060N	Bind Screw - M3x6	
103	1607 2053	Ferrite Core: E04FG210810	
104	1105 0032	Clamp	

4.Scanner Section 1 (D017/D018/D019/D020/D084/D085)

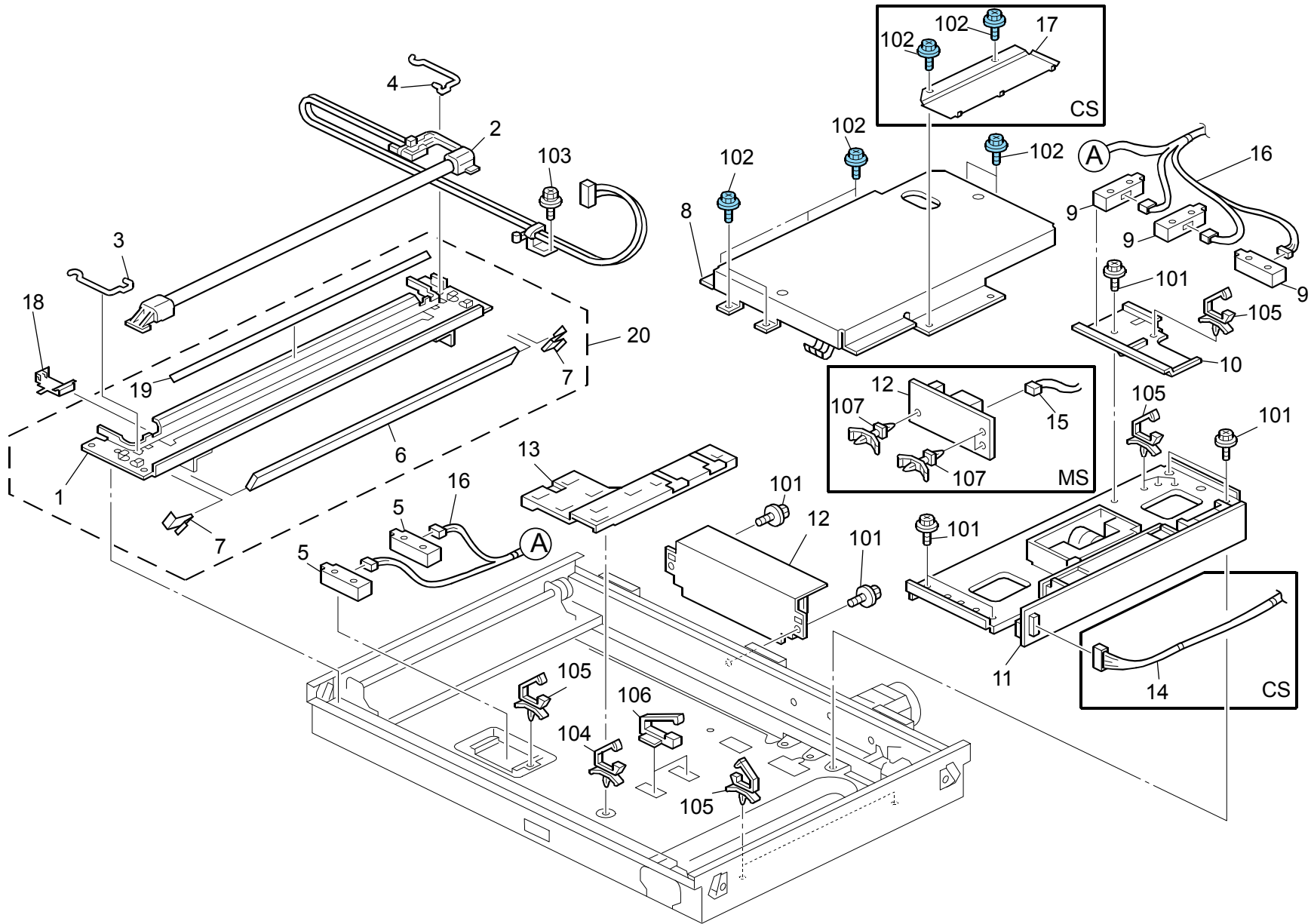


4. Scanner Section 1 (D017/D018/D019/D020/D084/D085)

Index No.	Part No.	Description	Q'ty Per Assembly
1	D019 1801	Scale: Left: A	1
1	B238 1801	Scale - Left (A)	1
2	B238 1795	Exposure Glass	1
3	B390 1759	Shaft: Scale	7
4	D019 1713	Scale: Left: B: NA: Ass'y	1
4	D019 1723	Scale: Left: B: Ass'y	1
4	B237 1713	Scale - Left B NA	1
4	B238 1713	Scale - Left (B)	1
5	D019 1751	Rear Scale	1
5	B229 1751	Scale - Inner Back	1
6	A250 1752	Exposure Glass	1
7	5442 1924	Exposure Glass Cushion	2
7	B093 1862	Cushion Glass	2
8	B238 1845	Seal: Exposure Glass	4
9	AW02 0146	Photointerruptor: Flat: PICH2mm: M4	1
10	D019 5250	Harness - Home Position Sensor	1
10	D020 5212	Harness: BCU: HPS/AKS: 5V	1
11	G570 1225	Sensor Shielding Plate	1
12	A267 1089	Grounding Plate - Upper Rear	1
13	D019 5849	Gasket	1
14	A267 1090	Grounding Plate - Lower Right	1
15	D019 1803	Bracket: Document Feeder	1
15	B238 1692	Bracket: Scale: Left: Ass'y	1
16	D019 1785	Frame: Rear (MS models)	1
16	B238 1785	Frame: Rear (CS models)	1
17	B238 1784	Frame: Front	1
18	AW02 0145	Photointerruptor: Flat	1
19	D019 1789	Cover: Sensor: AKS	1

Index No.	Part No.	Description	Q'ty Per Assembly
101	0453 3006N	Tapping Screw - M3x6	
102	0451 3008N	Tapping Screw - M3x8	
103	0454 3006Q	Tapping Screw - M3x6	
104	0451 3006N	Tapping Screw - 3x6	
105	0314 0120N	Screw - M4x12	
106	1105 0511	Harness Clamp - LWS-0306ZC	

5.Scanner Section 2 (D017/D018/D019/D020/D084/D085)



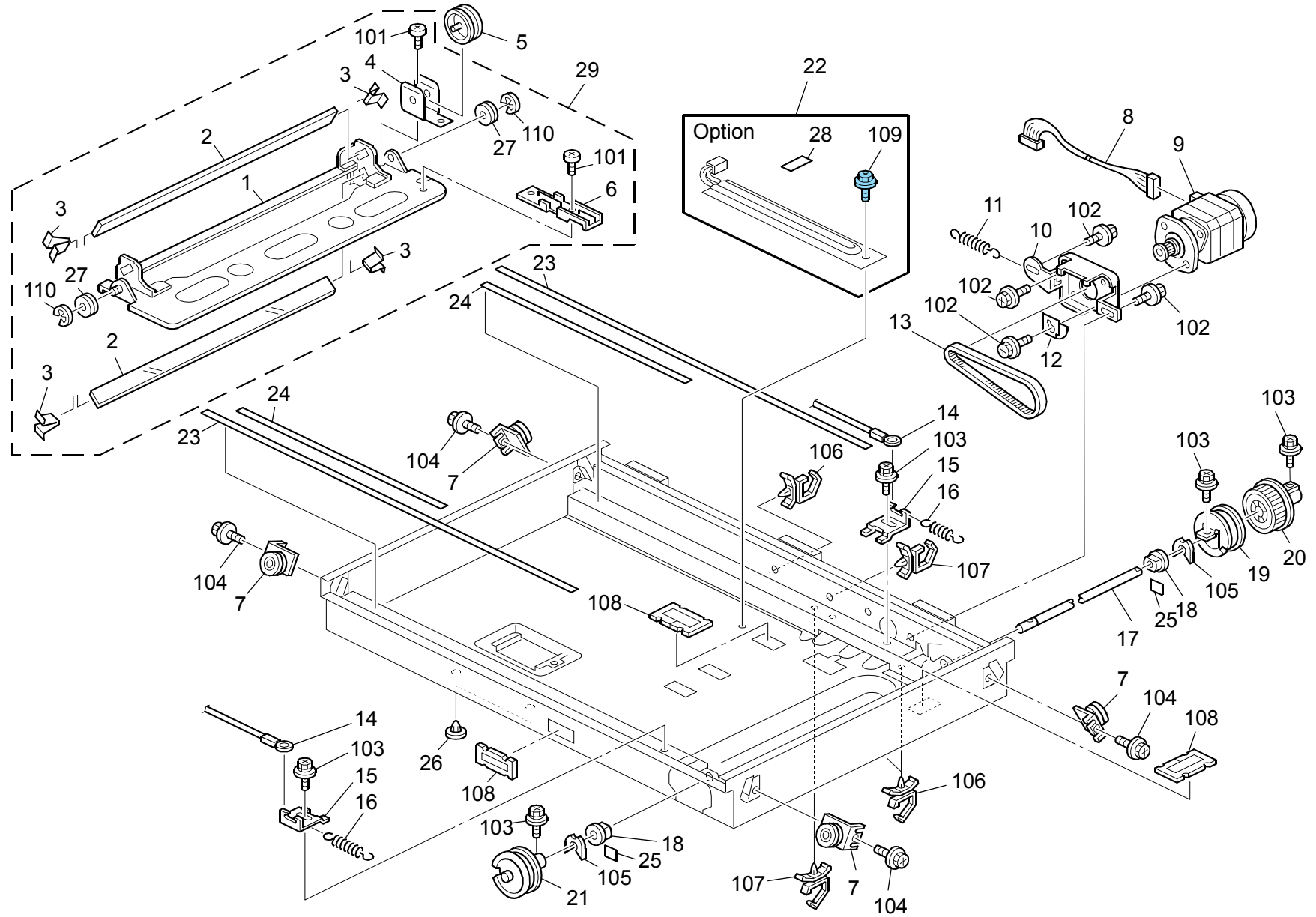
5.Scanner Section 2 (D017/D018/D019/D020/D084/D085)

Rev. 01/03/2011

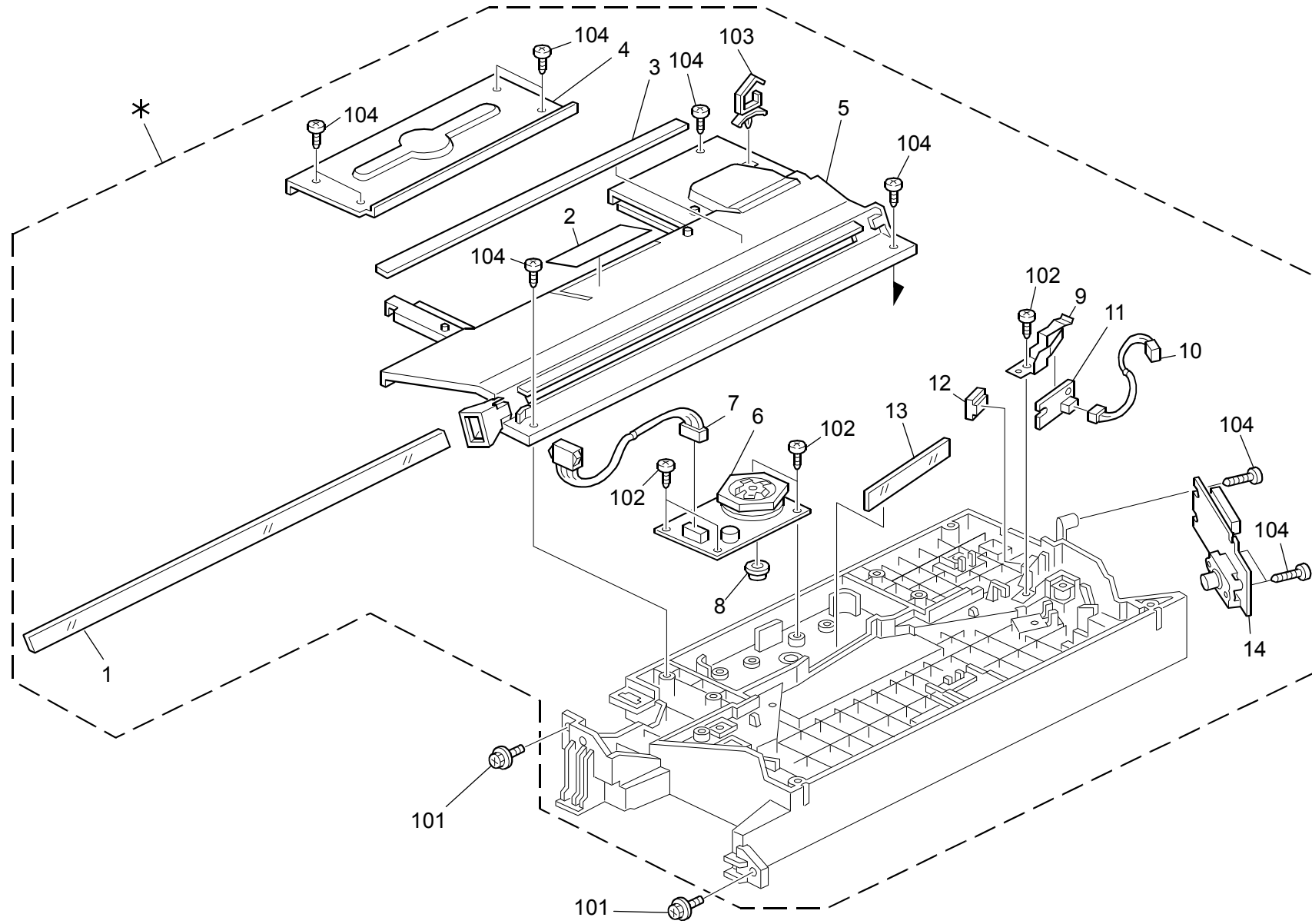
Index No.	Part No.	Description	Q'ty Per Assembly
1	D019 1817	1st Scanner Ass'y	1
1	B180 1817	1st Scanner Ass'y	1
2	D019 1830	Xenon Lamp: Monochrome	1
2	B238 1820	Xenon Lamp - DIA10	1
3	A193 1766	Wire Clamp	1
4	A193 1769	Clamp - Rear Wire	1
5	AW01 0133	Original Sensor - 66mm	2
6	AC03 0142	1st Mirror (MS model)	1
6	AC03 0169	Mirror: No.1 (CS model)	1
7	M026 1815	Clamp: Mirror: No.1	2
8	D019 1823	Inner Cover - Scanner (mono)	1
8	B238 1823	Inner Cover - Scanner (color)	1
9	AW01 0134	Original Sensor - 48mm	3
10	D019 1827	Bracket: Original Sensor	1
10	B238 1827	Original Sensor Bracket	1
11	D019 1703	Lens Unit (Mono)	1
11	D020 1703	Lens Unit (Color)	1
12	AZ50 0068	Stabilizer: Xenon Lamp	1
12	B238 1821	Stabilizer	1
13	D019 1753	Harness Cover	1
13	B238 1753	Inner Cover - Sensor	1
14	D019 5245	Harness - SBU MS	1
14	B238 5345	Scanner Interface Cable	1
15	D019 5252	Harness - Exposure Lamp MS	1
15	D025 5214	Harness: SIO: LAMP	1
16	D019 5230	Harness - APS MS	1
16	B238 5367	Harness - APS	1
17	B238 5344	SBU Ground Plate	1
18	B238 1812	Ground Plate - Carriage	1
19	A100 1714	Reflector	1
20	B238 1676	Carriage: No.1: Ass'y	1

Index No.	Part No.	Description	Q'ty Per Assembly
101	0451 3006N	Tapping Screw - 3x6	
102	0454 3006Q	Tapping Screw - M3x6	
103	0802 5299	Tapping Screw - M3x8	
104	1105 0516	Clamp	
105	1105 0511	Harness Clamp - LWS-0306ZC	
106	1105 0622	Clamp - JCC-1R	
107	1105 0195	PCB Stud	

6.Scanner Section 3 (D017/D018/D019/D020/D084/D085)



7.Laser Unit (D017/D018/D019/D020/D084/D085)

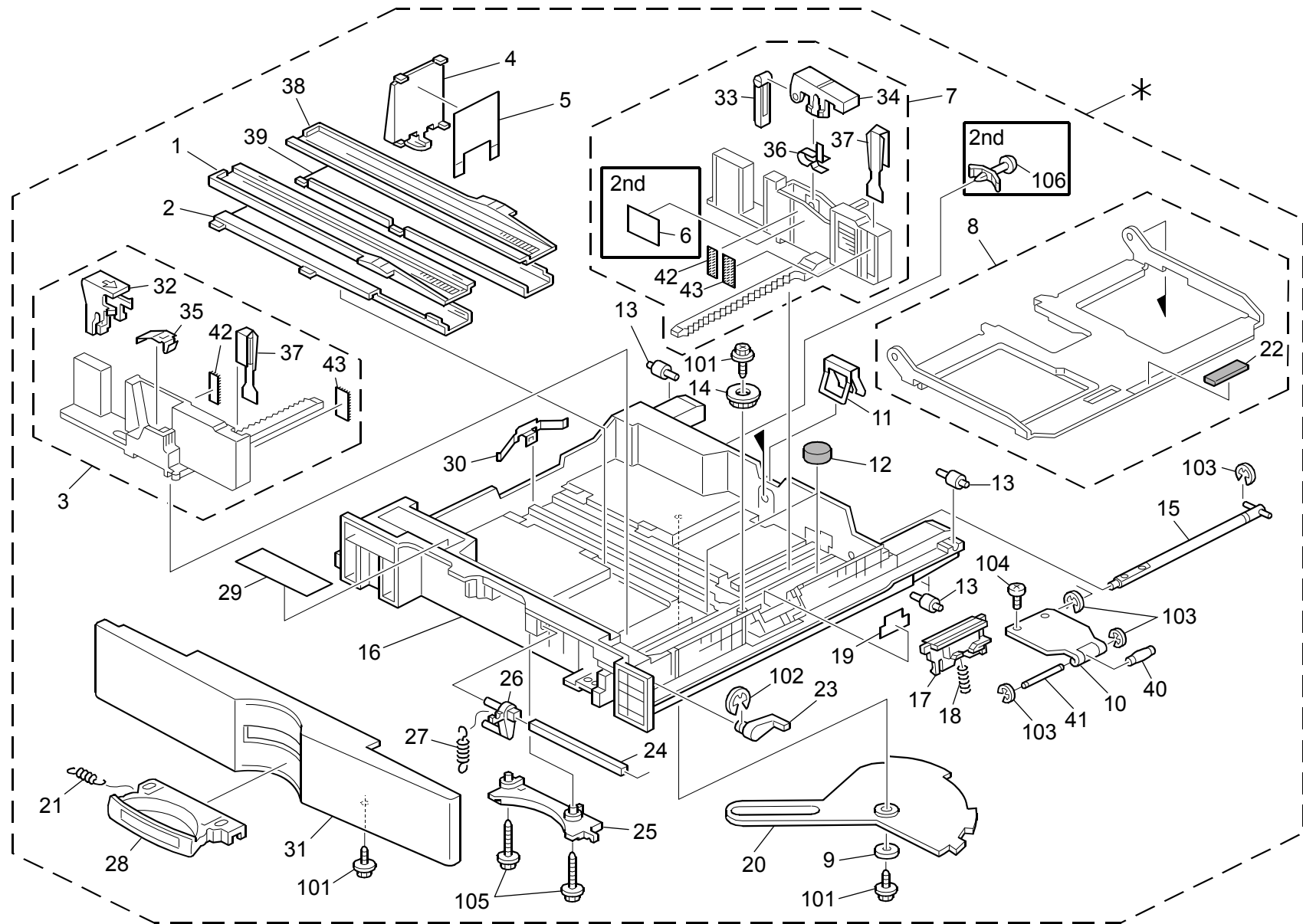


7.Laser Unit (D017/D018/D019/D020/D084/D085)

Index No.	Part No.	Description	Q'ty Per Assembly
*	D019 1900	Imaging Unit	1
1	B206 1977	Shield Glass	1
2	G029 1980	Decal - LD	1
3	B206 1971	Supporting Plate: Cover: Imaging Unit	1
4	B090 1917	Cover: Polygon Scanner: Ass'y	1
5	B090 1938	Cover: Optical Housing	1
6	B209 1898	Polygon Mirror Motor	1
7	D019 5224	Harness - Polygon Mirror Motor	1
8	A232 1916	Collar-polygon Motor	1
9	A267 1944	Plate - Sync. Detector Board	1
10	D019 5222	Harness - Sync Detector	1
11	D009 5325	Sync. Detector Board	1
12	G029 1975	Cylindrical Lens	1
13	G020 1937	Shield Glass - Polygon Mirror Motor	1
14	D019 1919	Laser Diode Unit	1
101	0451 3008N	Tapping Screw - M3x8	

Index No.	Part No.	Description	Q'ty Per Assembly
102	0452 3008N	Tapping Screw - M3x8	
103	1105 0508	Harness Clamp - LWS-0711	
104	0452 3010N	Binding Self-Tapping Screw: 3x10	

8.Paper Tray (D017/D018/D019/D020/D084/D085)



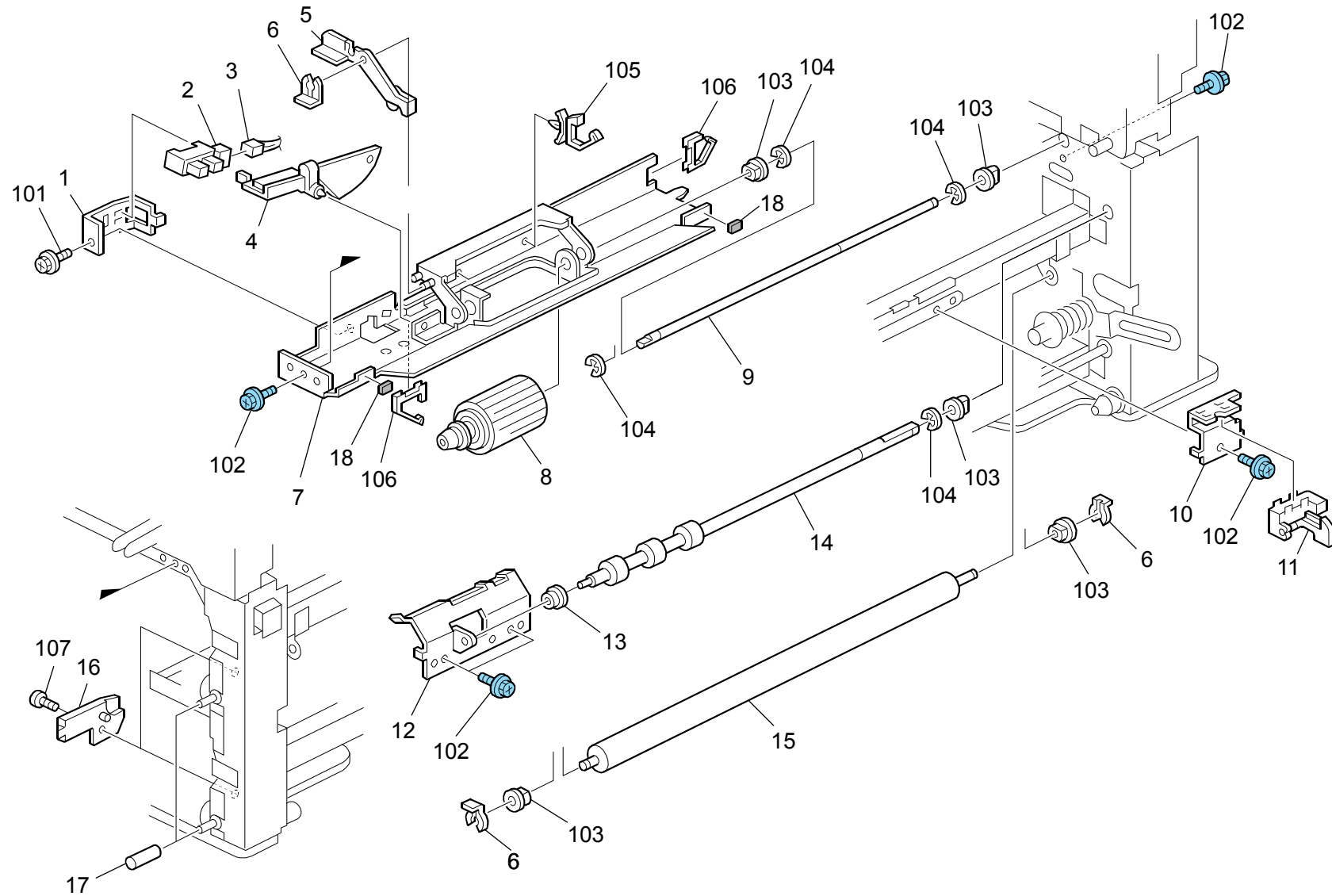
8.Paper Tray (D017/D018/D019/D020/D084/D085)

Rev. 05/26/2010

Index No.	Part No.	Description	Q'ty Per Assembly
*	D019 2538	1st Paper Tray Ass'y	1
*	D019 2539	2nd Paper Tray Ass'y	1
1	D010 2867	Font Slider - Upper	1
2	D010 2873	Front Slider - Base	1
3	D010 2884	Front Side Fence	1
4	D010 2853	End Fence	1
5	D010 2900	End Fence Seal	1
6	B027 7352	Decal - Side Fence	1
7	D010 2885	Rear Side Fence	1
8	D010 2861	Tray Bottom Plate	1
9	D010 2550	Spacer: Link	1
10	B090 2856	Bracket: Rise	1
11	A267 2878	Spring Plate - Grounding	1
12	A267 2899	Sponge - Paper Feed Tray	2
13	B090 2987	Roller: Paper Tray	4
14	B090 2869	Gear - 16Z	1
15	D010 2854	Shaft - Tray Bottom Plate	1
16	D010 2850	Paper Tray	1
17	D010 2822	Friction Pad	1
18	A267 2834	Pressure Spring - Friction Pad	1
19	B091 2898	Sheet: Holder: Paper Tray	1
20	D010 2870	Link - Paper Size Sensor	1
21	D010 2956	Tension Spring - Paper Tray	1
22	A267 2917	Base Pad	1
23	D010 2864	Release lever - Paper Tray	1
24	D331 2951	Release Shaft - Paper Tray	1
25	D010 2955	Grip Holder - Paper Tray	1
26	D010 2953	Release Lever - Paper Tray	1
27	AA06 0900	Spring	1
28	D010 2954	Paper Tray Grip	1
29	D019 2892	Decal: Paper Set Direction	1
30	D010 2875	Spring Plate - Slider	1
31	D010 2958	Paper Tray Cover	1
32	B090 2858	Lever: Stopper: Front	1
33	B090 2859	Stopper: Positioning	1

Index No.	Part No.	Description	Q'ty Per Assembly
34	B090 2860	Lever: Stopper: Positioning	1
35	G697 2677	Spring Plate - Side Fence	1
36	A267 2857	Spring Plate - Side Fence	1
37	D010 2897	Side Fence Seal	2
38	D010 2866	Rear slider - Upper	1
39	D010 2874	Rear Slider - Base	1
40	B090 2864	Roller: Bracket: Rise	1
41	A267 2865	Shaft - Roller	1
42	D010 2901	Pad: Side Fence: 5mm	2
43	D010 2902	Pad: Side Fence: 8mm	2
101	0450 4008N	Tapping Screw - M4x8	
102	0720 0080E	Retaining Ring - M8	
103	0720 0060E	Retaining Ring - M6	
104	0354 0060N	Screw-M4x6	
105	0450 3020N	Tapping Screw: M3x20	
106	1105 0415	Clamp: Card Spacer(F2)	

9.1st Paper Feed Section (D017/D018/D019/D020/D084/D085)

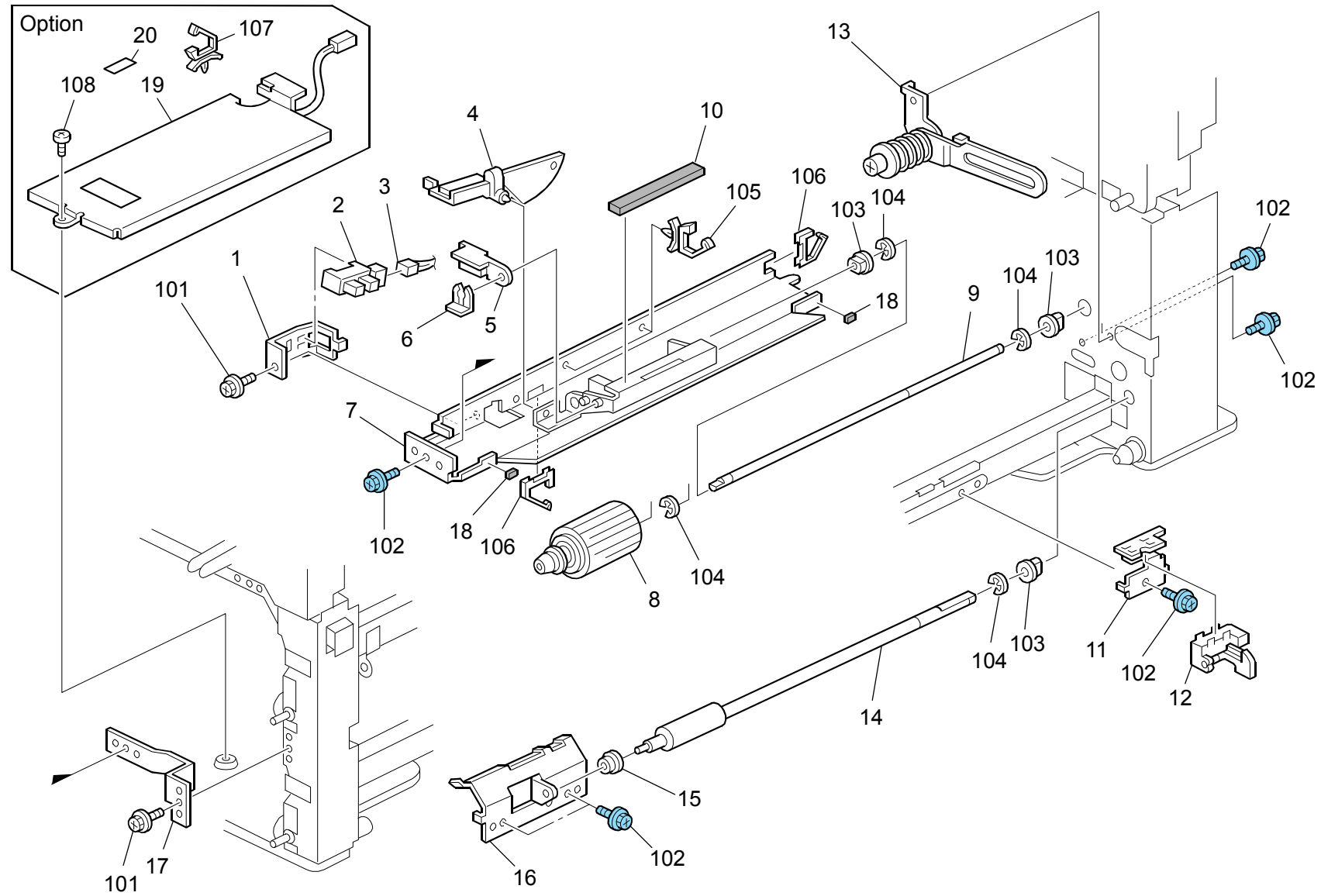


9.1st Paper Feed Section (D017/D018/D019/D020/D084/D085)

Index No.	Part No.	Description	Q'ty Per Assembly
1	B090 2805	Bracket: Paper End Sensor	1
2	AW02 0141	Photointerruptor	1
3	D019 5215	Interface Harness - Paper End	1
4	A267 2803	Feeler - Paper End Sensor	1
5	D019 2807	Stopper - Paper Feed Roller	1
6	B090 2686	Snap Ring	3
7	D019 2804	Guide Plate - Paper Feed Roller 1	1
8	A267 2751	Paper Feed Roller	1
9	A267 2754	Shaft - Paper Feed Roller	1
10	B090 2663	Bracket: Photointerruptor	1
11	AW02 0173	Photointerruptor: Vertical Transport	1
12	B206 2828	Guide Plate: Friction Pad: Upper	1
13	AA08 0252	Bushing - M4	1
14	D019 2682	Upper Drive Roller	1
15	B209 2665	Roller: Sponge	1
16	D010 2640	Spacer: Supporter: Right	2
17	B223 2714	Positioning Cap - Short	2
18	AA16 1143	Cushion - Link	2

Index No.	Part No.	Description	Q'ty Per Assembly
101	0451 3006N	Tapping Screw - 3x6	
102	0454 3006Q	Tapping Screw - M3x6	
103	0805 3480	Bushing - 6mm	
104	0720 0040E	Retaining Ring - M4	
105	1105 0511	Harness Clamp - LWS-0306ZC	
106	1105 0522	Edge Saddle - LES0510	
107	0453 3006N	Tapping Screw - M3x6	

10.2nd Paper Feed Section (D017/D018/D019/D020/D084/D085)

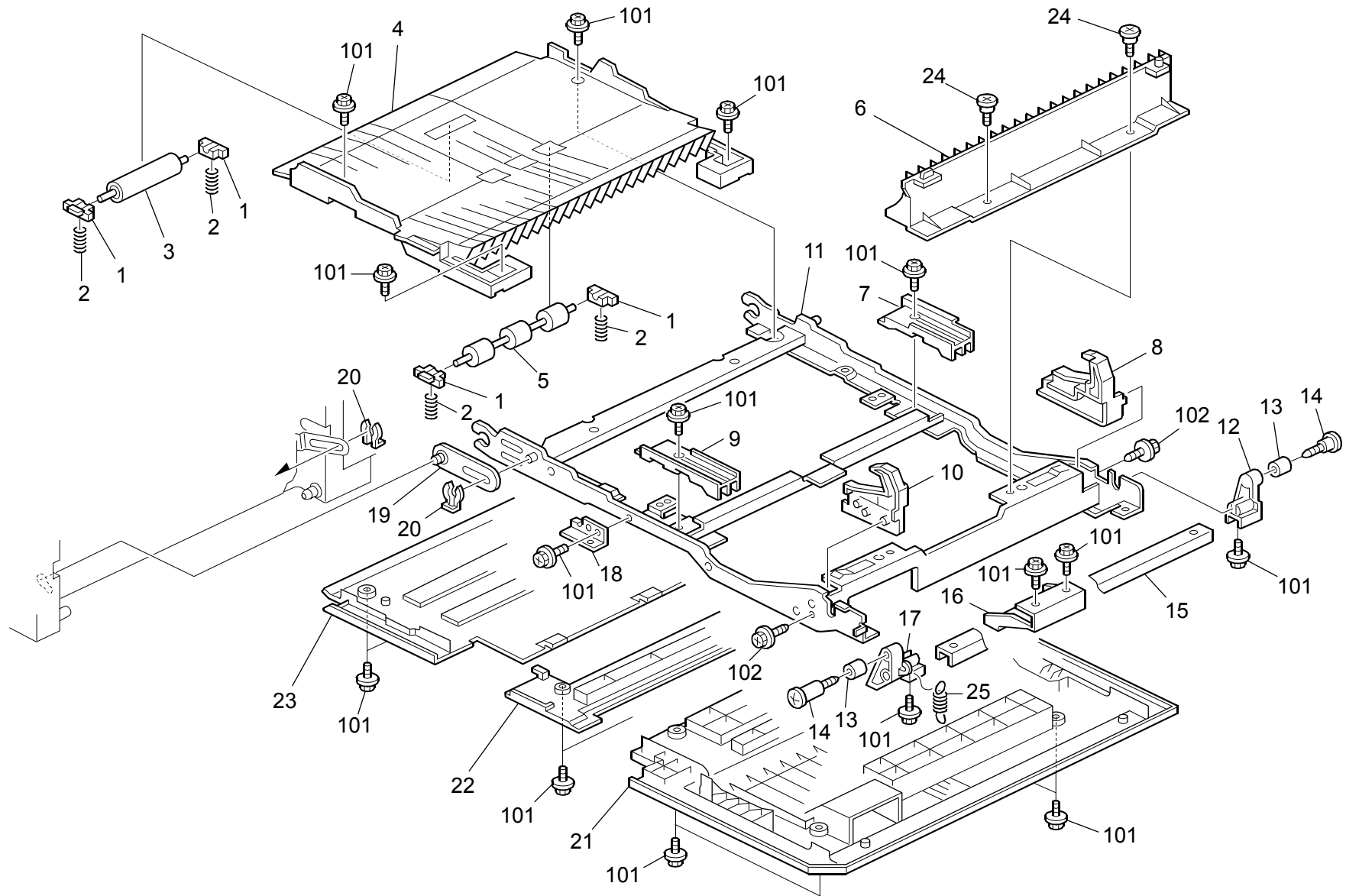


10.2nd Paper Feed Section (D017/D018/D019/D020/D084/D085)

Index No.	Part No.	Description	Q'ty Per Assembly
1	B090 2805	Bracket: Paper End Sensor	1
2	AW02 0141	Photointerruptor	1
3	D019 5215	Interface Harness - Paper End	1
4	A267 2803	Feeler - Paper End Sensor	1
5	B093 2935	Stopper Paper Feed Roller	1
6	B090 2686	Snap Ring	1
7	B093 2808	Guide Plate Paper Feed Roller 2 Ass'y	1
8	A267 2751	Paper Feed Roller	1
9	A267 2754	Shaft - Paper Feed Roller	1
10	B209 2814	Cushion - Roller Guide 2	1
11	B206 2660	Bracket: Photointerruptor	1
12	AW02 0173	Photointerruptor: Vertical Transport	1
13	D019 2846	Link: Damper: Ass'y	1
14	B097 2668	Roller: Drive	1
15	AA08 0252	Bushing - M4	1
16	B206 2842	Guide Plate: Friction Pad	1
17	D019 2587	Bracket - Guide Plate No.2	1
18	AA16 1143	Cushion - Link	2
19	D019 2598	Heater: NA: Ass'y	1
19	D019 2599	Heater: EU: Ass'y	1
20	D010 7450	Main Switch Decal - NA	1
20	D010 7451	Main Switch Decal - EU	1

Index No.	Part No.	Description	Q'ty Per Assembly
101	0451 3006N	Tapping Screw - 3x6	
102	0454 3006Q	Tapping Screw - M3x6	
103	0805 3480	Bushing - 6mm	
104	0720 0040E	Retaining Ring - M4	
105	1105 0511	Harness Clamp - LWS-0306ZC	
106	1105 0522	Edge Saddle - LES0510	
107	1105 0488	Clamp: LWS-1211Z	
108	0950 3006N	Screw: Spring Washer: M3x6	

11.Vertical Transport (D017/D018/D019/D020/D084/D085)



11. Vertical Transport (D017/D018/D019/D020/D084/D085)

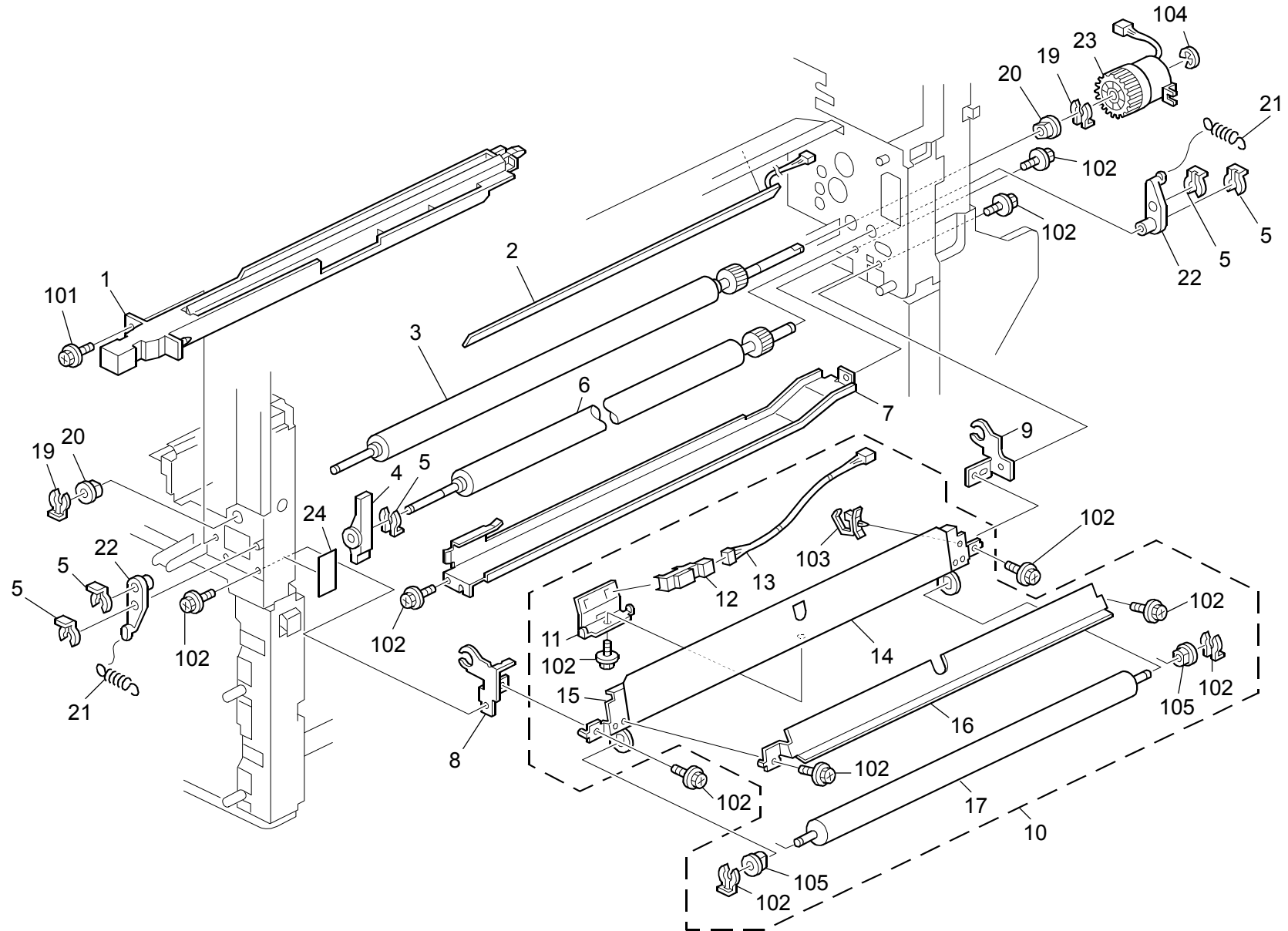
Rev. 02/11/2011

Index No.	Part No.	Description	Q'ty Per Assembly
1	D019 2736	Bushing - Vertical Transport	4
2	D019 2734	Spring - Transport	4
3	B090 2742	Roller: Pull Out: Option Tray	1
4	D019 2731	Guide Plate - Vertical Transport	1
5	D019 2737	Driven Roller - Vertical Transport	1
6	D019 2707	Guide Plate: Exit: Vertical Transport	1
7	D019 2703	Rear Lever - Transfer	1
8	D019 2705	Rear Lever – Fusing (See NOTE)	1
9	D019 2704	Front Lever - Transfer	1
10	D019 2706	Front Lever - Fusing (See NOTE)	1
11	D019 2710	Frame - Vertical Transport	1
12	D019 2722	Release Pawl - Rear	1
13	A267 3958	Roller - Lever	2
14	D019 2727	Stepped Screw - M4	2
15	D019 2725	Bracket: UN Lock	1
16	D019 2723	Release Grip	1
17	D019 2728	Release Pawl - Front	1
18	D019 2716	Bracket: Manual Feed	1
19	D019 2761	Link - Vertical Transport	1
20	5447 2681	Snap Ring	2
21	D019 2841	Upper Cover - Vertical Transport	1
22	D019 2842	Middle Cover - Vertical Transport	1
23	D019 2843	Lower Cover - Vertical Transport	1
24	D019 2764	Screw: DIA5: Hinge	2
25	D019 2724	Tension Spring	1

NOTE: For units without the Duplex Unit, order this part number. For units with the Duplex Unit installed, see the D369 Parts Catalog Duplex Unit page 7, Items 19 and 20.

Index No.	Part No.	Description	Q'ty Per Assembly
101	0451 3006N	Tapping Screw - 3x6	
102	0450 3008N	Tapping Screw - M3x8	

12.Paper Registration (D017/D018/D019/D020/D084/D085)

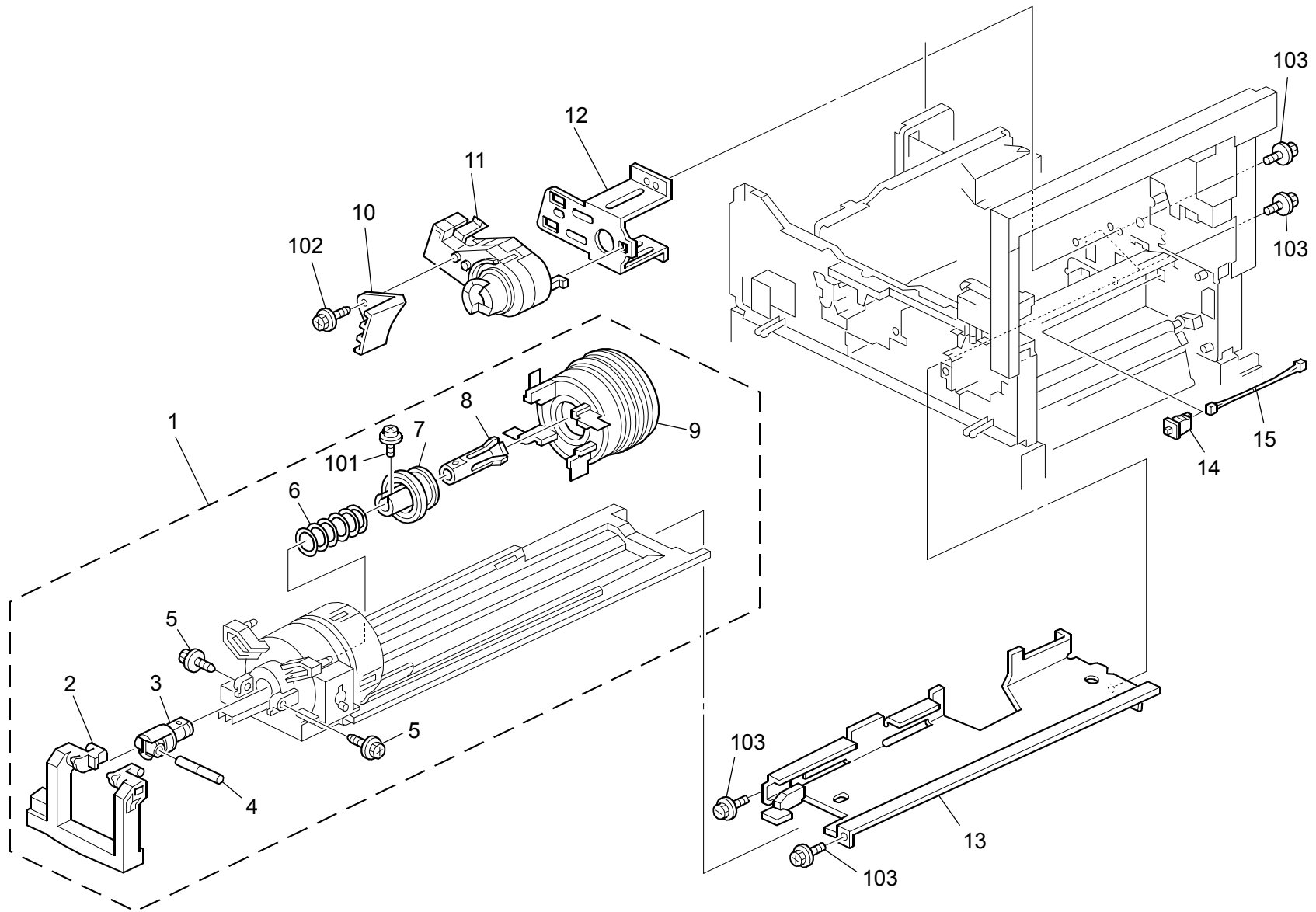


12.Paper Registration (D017/D018/D019/D020/D084/D085)

Index No.	Part No.	Description	Q'ty Per Assembly
1	D019 2755	Cleaner-registration	1
2	B209 3452	Discharge Lamp	1
3	D019 2720	Registration Roller - Drive	1
4	D019 2822	Knob - Registration Roller	1
5	5447 2681	Snap Ring	5
6	D019 2820	Registration Roller - Driven	1
7	D019 2757	Cleaner Bracket - Registration	1
8	D019 2826	Front Bracket - Registration Guide	1
9	D019 2827	Rear Bracket - Registration Guide	1
10	D019 2690	Left Guide Plate - Registration	1
11	B090 2698	Bracket: Registration Sensor	1
12	AW01 0057	Registration Sensor	1
13	D019 5237	Interface Harness - Regist Sensor	1
14	D019 2699	Left Guide Plate 2 - Registration	1
15	D019 2692	Left Guide Plate - Registration	1
16	D019 2694	Right Guide Plate - Registration	1
17	B209 2665	Roller: Sponge	1
18	B090 2686	Snap Ring	2
19	B090 2621	Snap Ring - M6	2
20	AA08 2070	Bushing - 8x16x7	2
21	D019 2829	Spring - Driven Registration	2
22	D019 2823	Bushing - Driven Roller	2
23	D019 1188	Magnetic Clutch: 0.5N M: Z35	1
24	D019 2920	Decal: Operating: B1 Lever	1

Index No.	Part No.	Description	Q'ty Per Assembly
101	0452 3010N	Binding Self-Tapping Screw: 3x10	
102	0451 3006N	Tapping Screw - 3x6	
103	1105 0511	Harness Clamp - LWS-0306ZC	
104	0720 0060E	Retaining Ring - M6	
105	0805 3480	Bushing - 6mm	

13.Toner Hopper Unit (D017/D018/D019/D020/D084/D085)



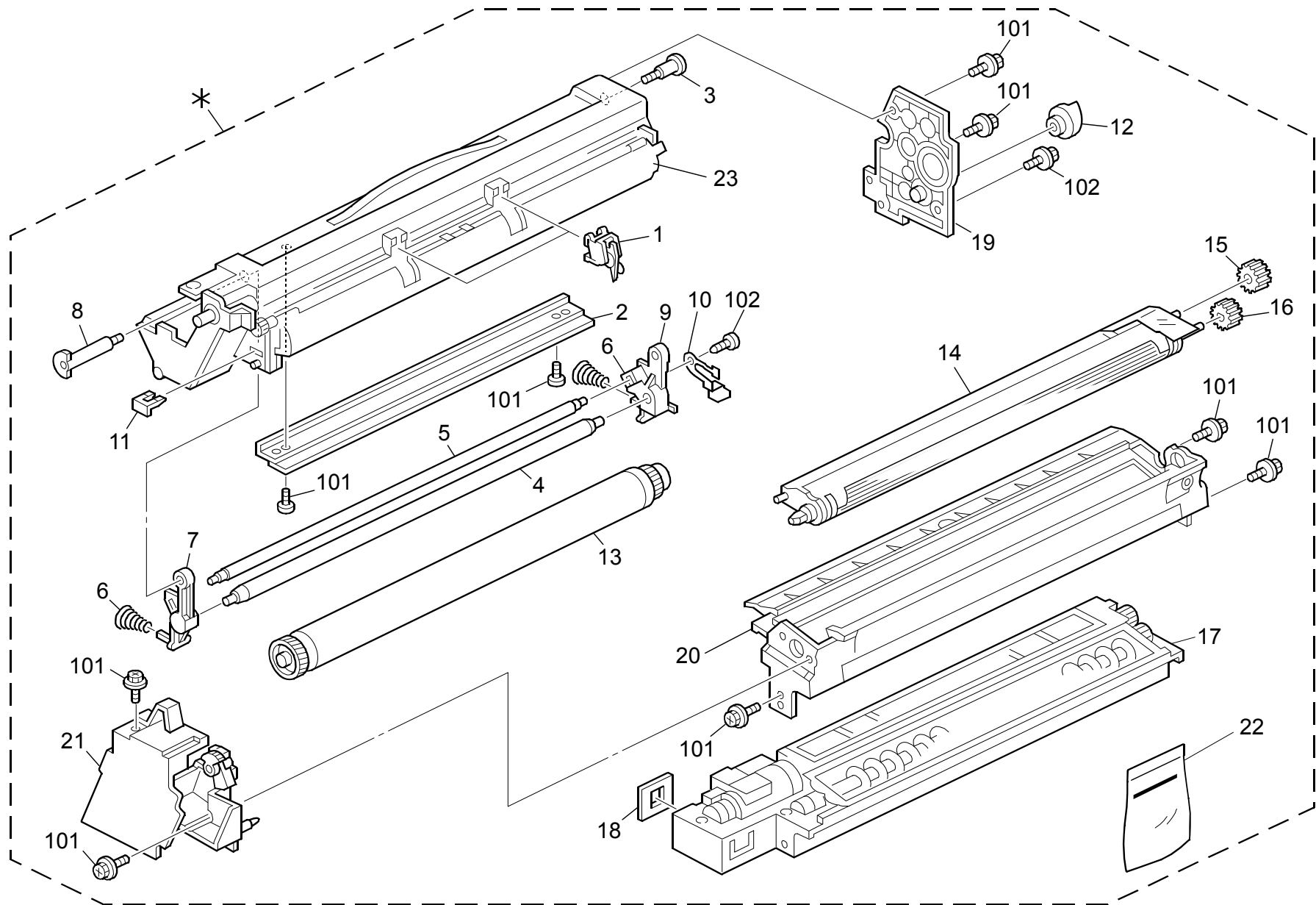
13.Toner Hopper Unit (D017/D018/D019/D020/D084/D085)

Index No.	Part No.	Description	Q'ty Per Assembly
1	D019 3501	Toner Supply Unit	1
2	B090 3605	Cam: Handle	1
3	B090 3572	Shaft: Chuck	1
4	A184 3422	Toner Slider	1
5	B044 3191	Tapping Screw-M3x8	2
6	A267 3556	Chuck Spring - Tonner Bottle	1
7	B090 3573	Slider: Ass'y	1
8	B090 3571	Chuck: Bottle	1
9	B090 3560	Cover: Toner Bottle: Ass'y	1
10	B027 3620	Motor Spacer - Toner Bottle	1
11	B209 3616	Toner Bottle Motor	1
12	B090 7440	Bracket DC Motor Toner Bottle Z EXP	1
13	D019 1054	Guide Plate: Toner Supply Unit: Ass'y	1
14	G020 5626	Push Switch	1
15	D019 5203	Harness - New Parts Sensor	1

Index No.	Part No.	Description	Q'ty Per Assembly
101	0452 3008N	Tapping Screw - M3x8	
102	0450 3008N	Tapping Screw - M3x8	
103	0451 3006N	Tapping Screw - 3x6	

14.PCU Section (D017/D018/D019/D020/D084/D085)

Rev. 04/07/2010



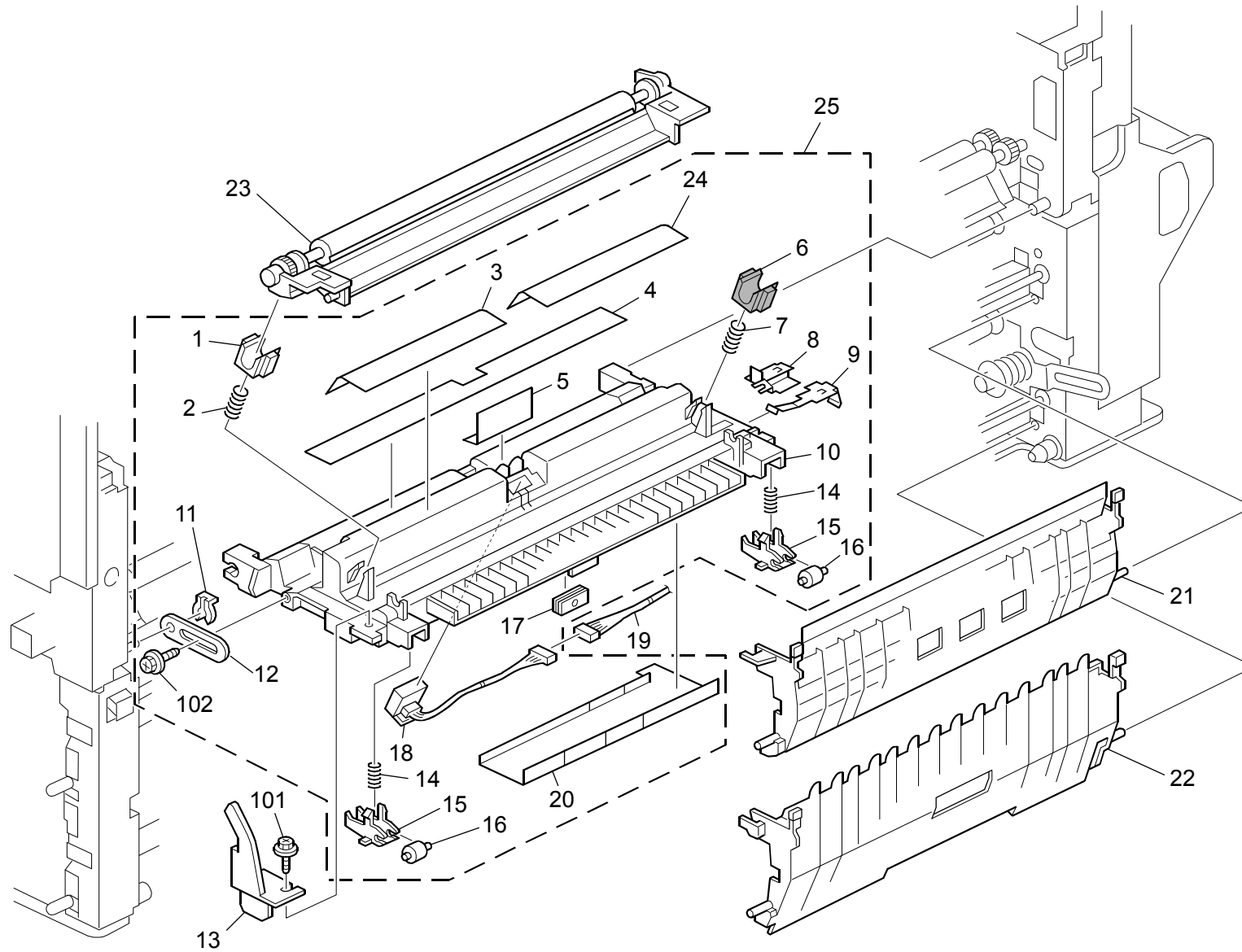
14.PCU Section (D017/D018/D019/D020/D084/D085)

Rev. 04/07/2010

Index No.	Part No.	Description	Q'ty Per Assembly
*	B205 0151	PCU Unit	1
1	B039 2335	Pickoff Pawl	2
2	AD04 1114	Blade: Cleaning	1
3	AA14 3444	Stepped Screw	1
4	AD02 7018	Roller: Charge: A3	1
5	AD04 2058	Charge Cleaner Brush Roller	1
6	B039 2287	Charge Roller Spring	2
7	B039 2292	Front Pressure Arm - Charge Roller	1
8	B039 2293	Pin - Front Pressure Arm	1
9	B209 3174	Arm: Pressure: Charge: Rear	1
10	B209 3175	Electrode Plate: Roller: Charge: Ass'y	1
11	B039 2350	Clip - OPC Drum	1
12	B209 3440	Joint: Development	1
13	B039 9510	OPC Drum	1
14	B209 3320	Development Roller Assembly	1
15	B039 3062	Idler Gear	1
16	B039 3060	Development Roller Gear	1
17	B209 3370	Development Case	1
18	B209 3196	Shield: Toner Supply: Entrance	1
19	B209 3233	Drum Stay: Rear	1
20	B209 3360	Development Roller Case	1
21	B209 3215	Drum Stay: Front	1
22	B121 9640	Developer Type 28 Black	1
23	B039 2343	Drum Shutter	1

Index No.	Part No.	Description	Q'ty Per Assembly
101	0360 3006N	Screw - M3x6	
102	0452 3006N	Binding Self-tapping Screw: 3x6	

15. Transfer Unit (D017/D018/D019/D020/D084/D085)

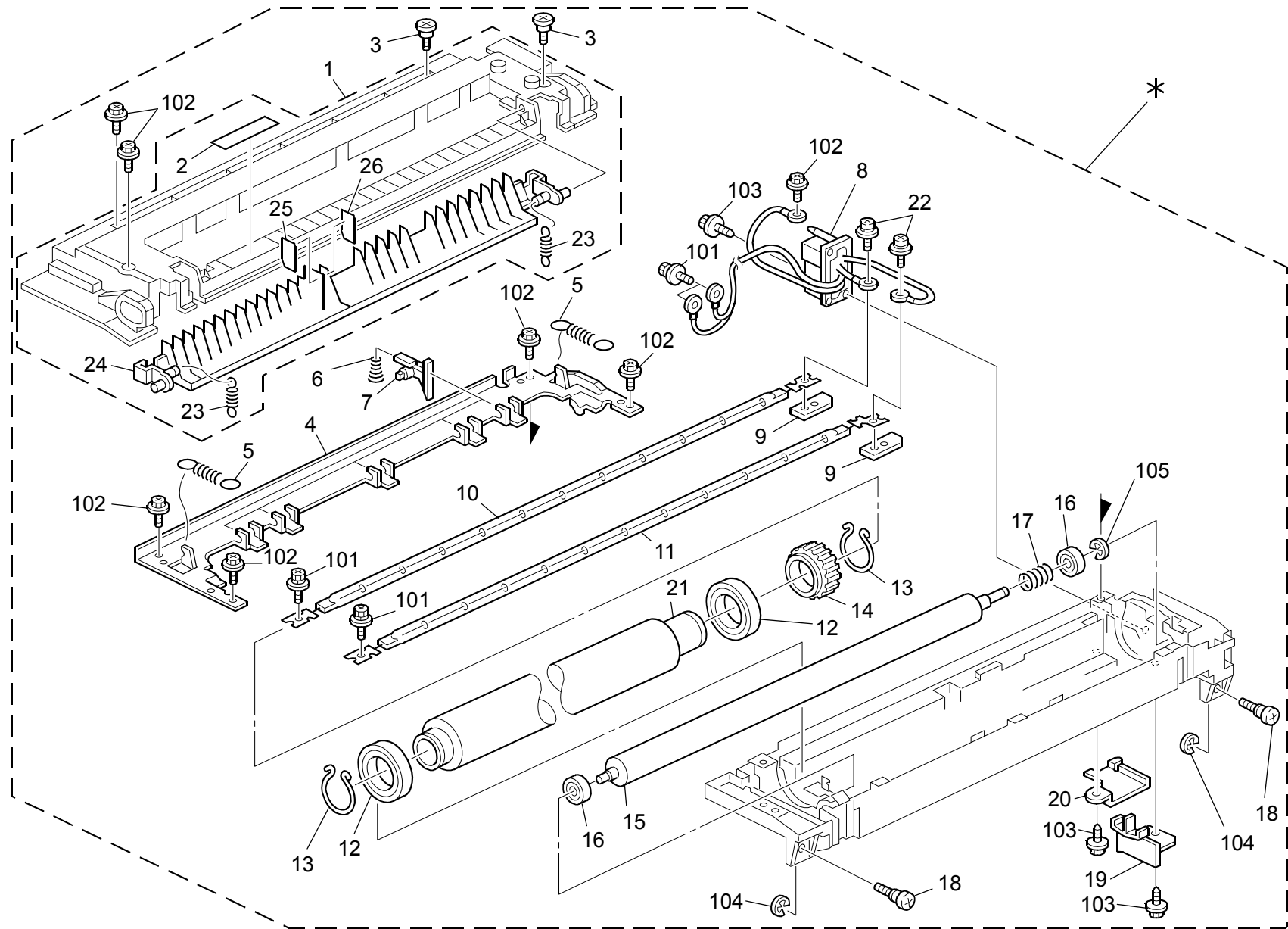


15.Transfer Unit (D017/D018/D019/D020/D084/D085)

Index No.	Part No.	Description	Q'ty Per Assembly
1	AA08 0256	Front Bushing - Transfer Roller	1
2	B091 3911	Compression Spring: Pressure: Front	1
3	AA15 0708	Front Discharge Sheet	1
4	D019 3812	Cleaner: Registration: Driven	1
5	A267 3905	Cover - ID Sensor	1
6	AA08 0250	Rear Bushing - Transfer Roller	1
7	B091 3912	Compression Spring: Pressure: Rear	1
8	A267 3861	Terminal - Transfer Roller	1
9	A267 3862	Terminal - Separation	1
10	D019 3855	Cover: Transfer/Separation Unit: C5	1
11	5447 2681	Snap Ring	1
12	D019 3941	Band - Vertical Transport Cover	1
13	D019 3931	Lever: Shutter	1
14	D019 3859	Compression Spring	2
15	D019 3866	Pressure Cover - Transfer Unit	2
16	D019 3867	Roller - Transfer Unit	2
17	AG07 0514	Magnet Catch	1
18	D019 3901	ID Sensor	1
19	D019 5236	Interface Harness - Density Sensor	1
20	D019 3908	Cover - Density Sensor Harness	1
21	D019 2656	Guide Plate - Upper	1
22	D019 2775	Guide Plate - Lower	1
23	B209 3831	Separation Unit: Ass'y	1
24	AA15 0709	Rear Discharge Sheet	1
25	D019 3821	Cover Ass'y - Transfer/Separation	1

Index No.	Part No.	Description	Q'ty Per Assembly
101	0450 3008N	Tapping Screw - M3x8	
102	0451 3006N	Tapping Screw - 3x6	

16.Fusing Unit 1 (D017/D018/D019/D020/D084/D085)



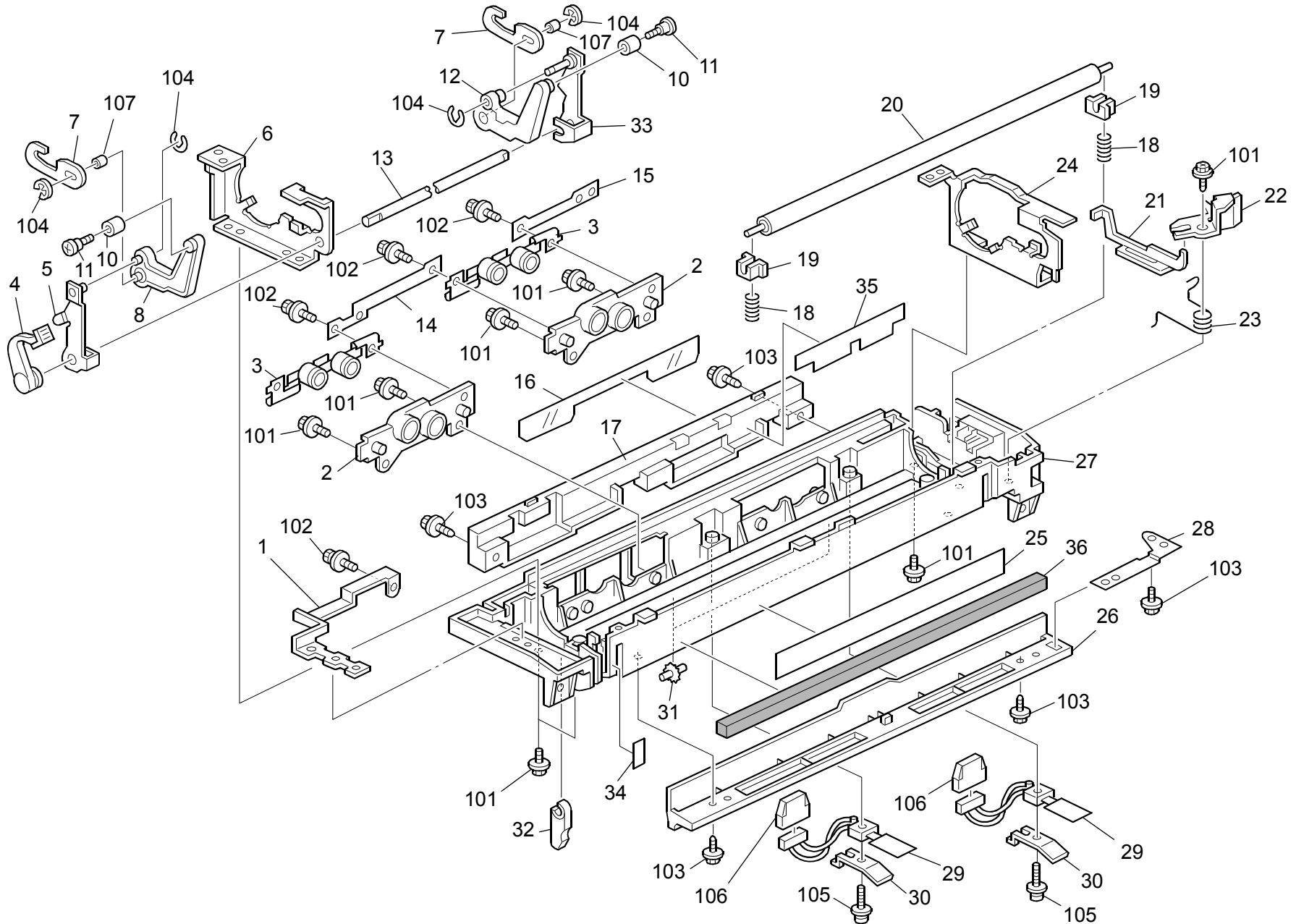
16.Fusing Unit 1 (D017/D018/D019/D020/D084/D085)

Rev. 4/14/2011

Index No.	Part No.	Description	Q'ty Per Assembly
*	D019 4001	Fusing Unit - 120V	1
*	D019 4002	Fusing Unit - 230V	1
*	D019 4003	Fusing Unit - TWN	1
1	D019 4032	Upper Frame - Fusing Unit	1
2	GA00 0058	Decal Warning (High Temperature)	1
3	AA14 3219	Stepped Screw	2
4	D019 4101	Bracket - Stripper Pawls	1
5	D019 4114	Tension Spring - Pressure	2
6	A267 4103	Spring - Fusing Stripper	5
7	AE04 4025	Hot Roller Stripper	5
8	D019 5274	Drawer: Fusing: 120V	1
8	D019 5275	Drawer: Fusing: 230V	1
9	B090 4092	Terminal: Heater	2
10	AX44 0140	Fusing Lamp - 120V	1
10	AX44 0142	Fusing Lamp - 230V	1
10	AX44 0256	Heater: 110V: Main	1
11	AX44 0141	Fusing Lamp - 120V	1
11	AX44 0143	Fusing Lamp - 230V	1
11	AX44 0257	Heater: 110V: Sub	1
12	G052 4618	Bearing 30x42x7	2
13	B031 4056	C Ring - Hot Roller	2
14	AB01 1400	Gear - 48Z	1
15	AE02 0161	Pressure Roller: MM27	1
16	AE03 0030	Ball Bearing - 8x19x6	2
17	B091 4066	Spring: Flange: Pressure Roller	1
18	D019 4161	Knob Screw: Fix: Fusing	2
19	B209 4071	Circlip Stopper	1
20	B206 4077	Guide: Harness: Plate	1
21	AE01 1103	Hot Roller: MM40: T0.4	1
22	B051 4050	Philips Screw - M3x8	2
23	D019 4158	Spring: Open And Close: Guide	2
24	D019 4156	Guide Plate: Fusing: Upper	1
25	D019 4181	Decal: Grip: Guide Plate: Fusing Exit	1
26	D019 4184	Decal: Grip: Guide Plate: Fusing Exit	1

Index No.	Part No.	Description	Q'ty Per Assembly
101	0804 6123	Hexagonal Bolt: W/Washer: M3x8	
102	0451 3006N	Tapping Screw - 3x6	
103	0450 3010N	Tapping Screw - M3x10	
104	0720 0030E	Retaining Ring - M3	
105	0720 0060E	Retaining Ring - M6	

17.Fusing Unit 2 (D017/D018/D019/D020/D084/D085)



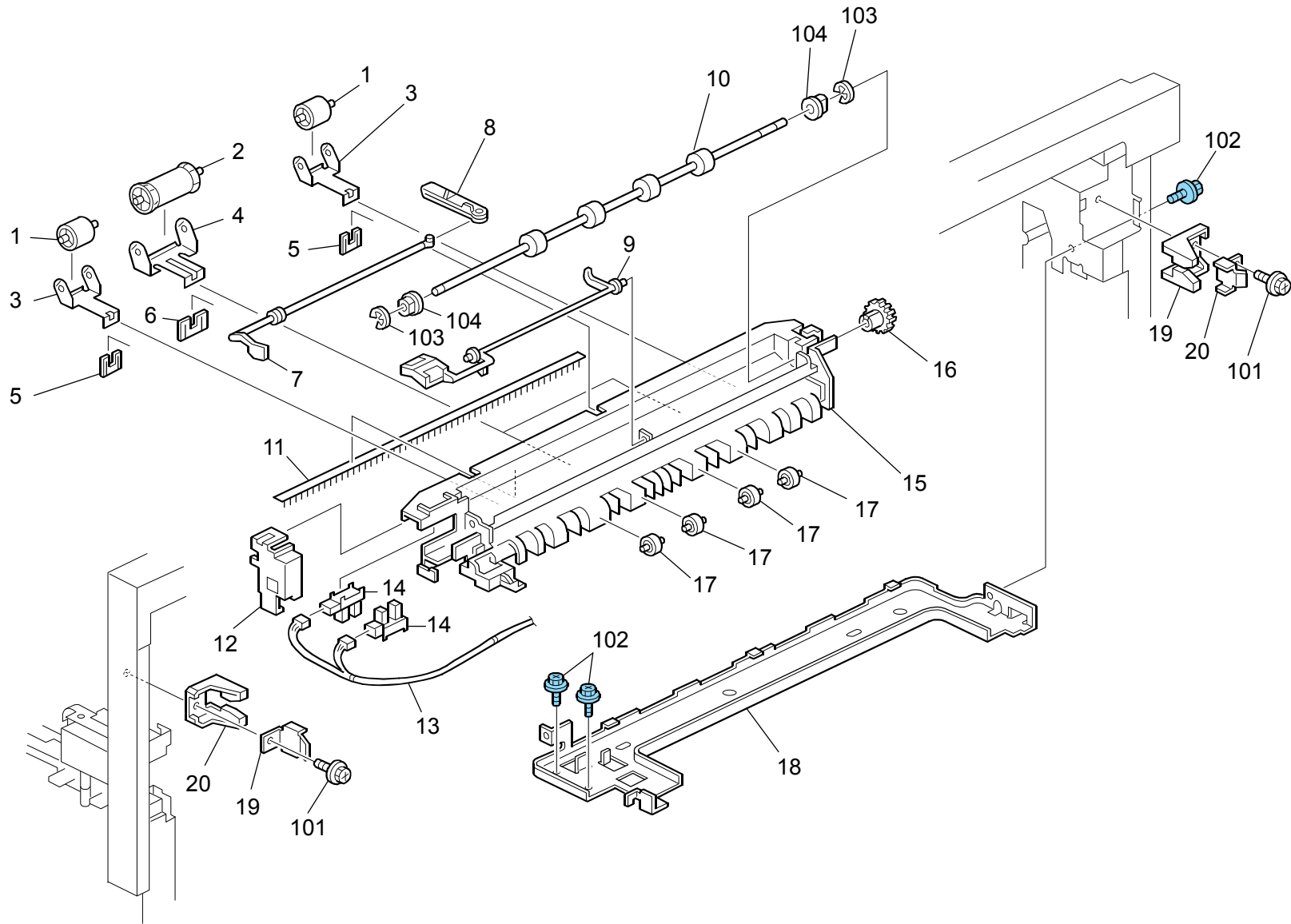
17.Fusing Unit 2 (D017/D018/D019/D020/D084/D085)

Rev. 05/26/2010

Index No.	Part No.	Description	Q'ty Per Assembly
1	B027 4091	Front Terminal Plate - Thermostat	1
2	B209 4094	Thermostat Housing	2
3	B209 4095	Thermostat - 180C	2
4	D019 4112	Grip - Pressure Change	1
5	D019 4116	Front Lever - Pressure Roller	1
6	D019 4121	Front Side Plate - Fusing	1
7	D019 4197	Lever: Lock: Pressure	2
8	D019 4171	Lever: Pressure Release: Front: Ass'y	1
9	Deleted		
10	D019 4194	Roller: Lever: Pressure	2
11	D019 4792	Screw: Drawer	2
12	D019 4191	Lever: Pressure Release: Rear: Ass'y	1
13	D019 4111	Shaft - Pressure Lever	1
14	B027 4092	Terminal Plate - Thermostat	1
15	B027 4093	Rear Terminal Plate - Thermostat	1
16	B027 4079	Harness - Sheet	1
17	B206 4078	Cover: Thermostat	1
18	B091 4084	Compression Spring - 5N	2
19	AA08 2073	Roller Busing	2
20	AE04 2029	Fusing Cleaning Roller	1
21	B090 4082	Link: Release: Drive	1
22	B090 4083	Lever: Release: Drive	1
23	B207 4081	Spring: Release: Drive	1
24	D019 4125	Rear Side Plate - Fusing	1
25	D019 4183	Decal: Warning (High Temperature): C	1
26	A267 4085	Fusing Entrance Guide	1
27	D019 4072	Lower Frame - Fusing Unit	1
28	A267 4086	Fusing Ground Plate - Entrance	1
29	AW10 0053	Thermistor - Rear	2
30	B090 4099	Holder: Thermistor	2
31	A232 2374	Spur	2
32	A267 4076	Spacer - Safety Switch	1
33	D019 4117	Rear Lever - Pressure Roller	1
34	D019 4182	Decal: Exchange Indication: Envelope	1
35	D019 4080	Sheet: Thermostat	1

Index No.	Part No.	Description	Q'ty Per Assembly
36	D019 4169	Seal: Fusing Cover	1
101	0451 3006N	Tapping Screw - 3x6	
102	0804 6123	Hexagonal Bolt: W/Washer: M3x8	
103	0450 3010N	Tapping Screw - M3x10	
104	0720 0030E	Retaining Ring - M3	
105	0954 3012N	Screw - M3x12	
106	1102 6260	Relay Connector - 3P	
107	D019 4208	Bushing: 4x8: Fusing	

18. Paper Exit (D017/D018/D019/D020/D084/D085)

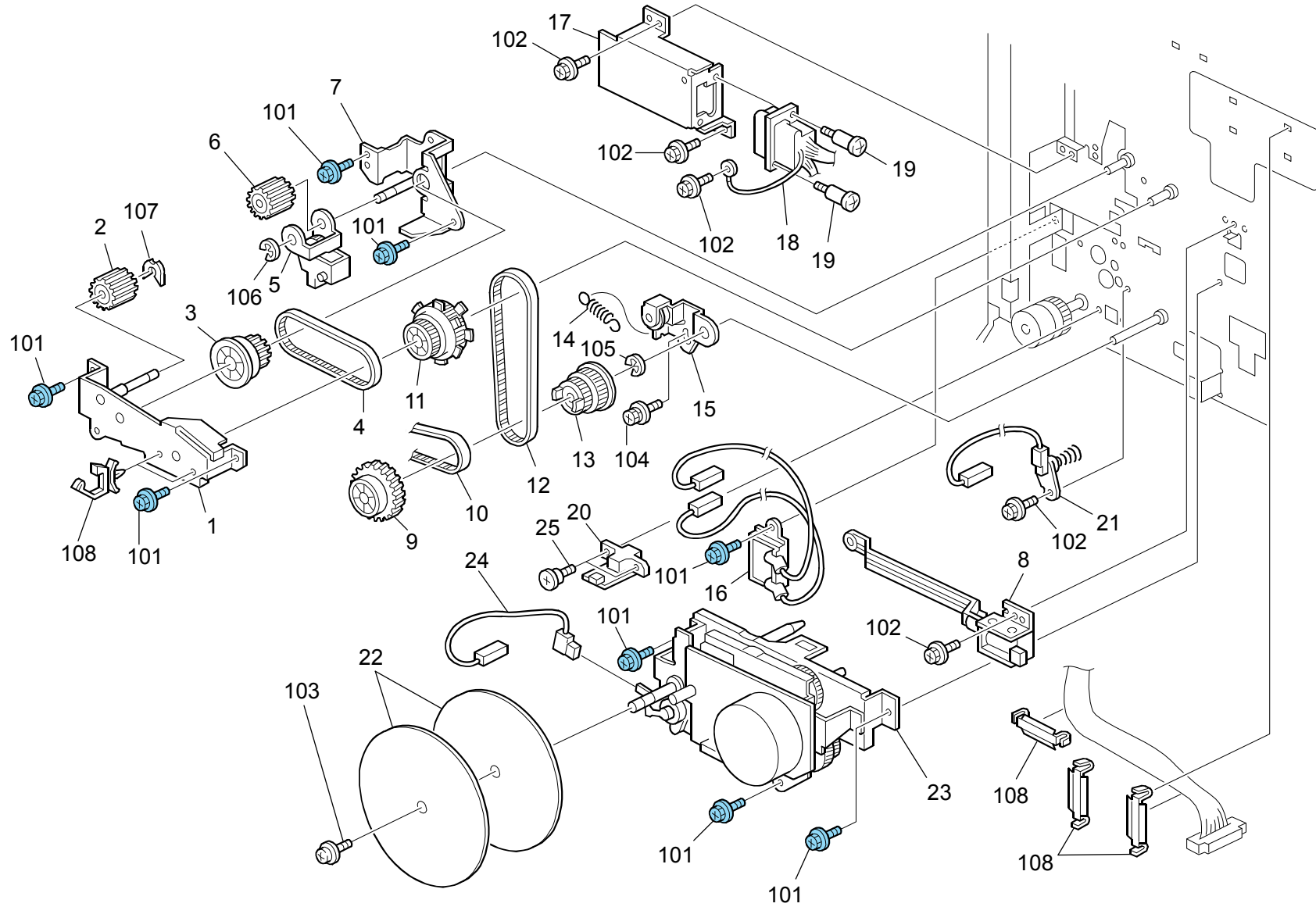


18.Paper Exit (D017/D018/D019/D020/D084/D085)

Index No.	Part No.	Description	Q'ty Per Assembly
1	AF04 0567	Tension Roller	2
2	AF04 0566	Tension Roller	2
3	A267 4483	Spring Plate - Tension Roller	2
4	A267 4474	Spring Plate - Tension Roller	2
5	B091 4487	Stopper: Spring Plate: Outer	2
6	B091 4486	Stopper: Spring Plate	2
7	A267 4479	Shaft - Paper Overflow	1
8	A267 4478	Feeler - Paper Overflow	1
9	A267 4476	Feeler - Paper Feed Sensor	1
10	B209 4475	Exit Roller	1
11	AA12 0094	Antistatic Brush	1
12	B090 4489	Cover: Paper Feed Sensor	1
13	D019 5207	Harness - Paper Feed Sensor	1
14	B207 1886	Photointerruptor	2
15	D019 4454	Guide Plate - Exit	1
16	AB01 1404	Gear - 19Z	1
17	AF02 2112	Driven Roller	4
18	D019 4452	Stay - Exit Unit	1
19	D019 1058	Bracket: Stopper	1
20	D019 1059	Guide: Stopper	1

Index No.	Part No.	Description	Q'ty Per Assembly
101	0451 3008N	Tapping Screw - M3x8	
102	0454 3006Q	Tapping Screw - M3x6	
103	0805 3480	Bushing - 6mm	
104	0720 0040E	Retaining Ring - M4	

19. Drive Section 1 (D017/D018/D019/D020/D084/D085)

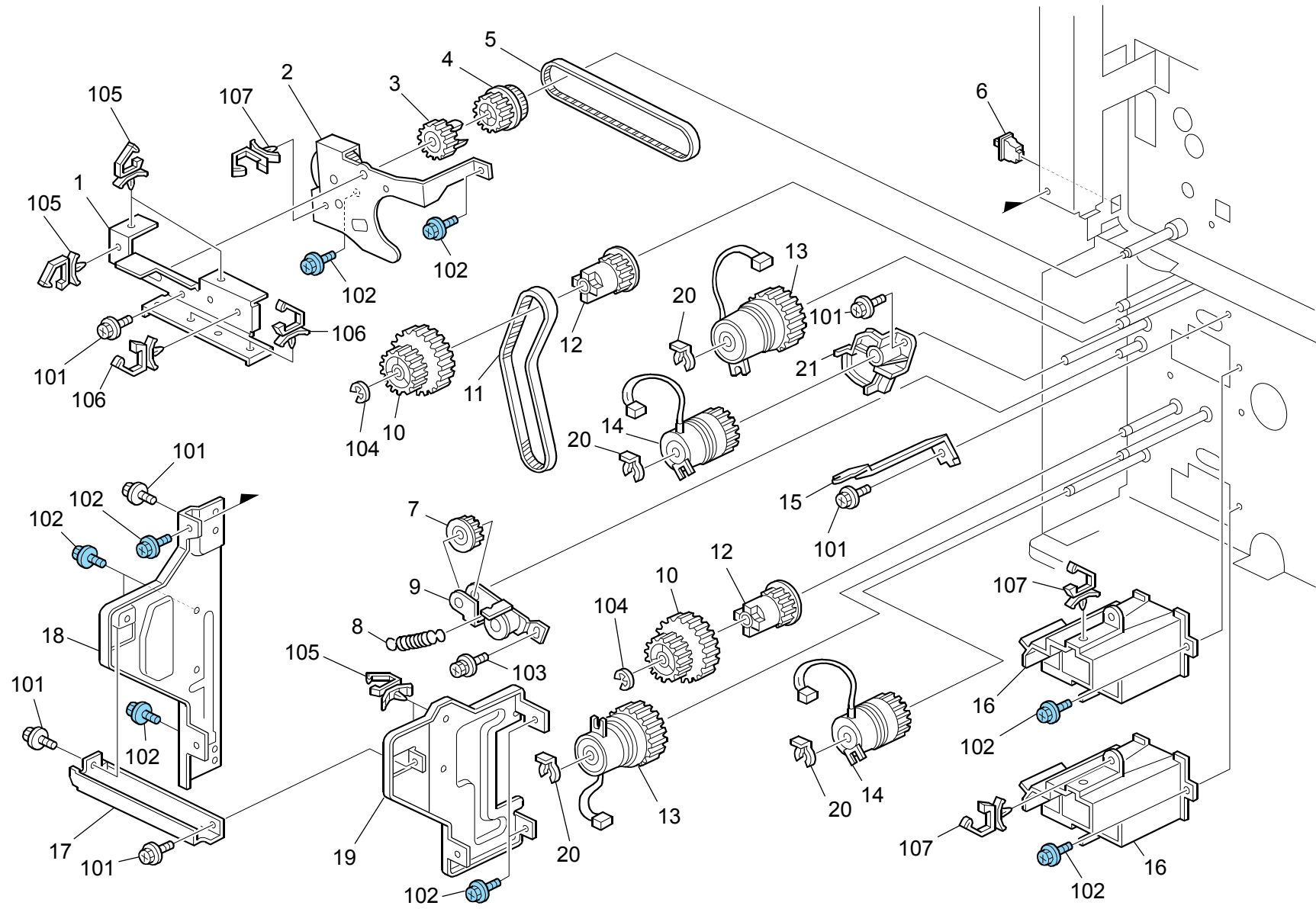


19. Drive Section 1 (D017/D018/D019/D020/D084/D085)

Index No.	Part No.	Description	Q'ty Per Assembly
1	B090 1162	Cover: Fusing: Drive	1
2	AB01 1204	Gear - 27Z	1
3	AB01 7503	Gear - 35Z/28Z	1
4	AA04 3515	Timing Belt - S3M - 225	1
5	B090 1170	Bracket: Fusing: Swivel	1
6	AB01 1203	Gear - 30Z	1
7	B090 1159	Bracket: Fusing: Drive	1
8	B209 1167	Lever: DCSOL: Ass'y	1
9	AB01 4050	Gear - 44Z	1
10	AA04 3516	Timing Belt - S3M - 342	1
11	AB03 3092	Timing Pulley - 27T/48T	1
12	AA04 3514	Timing Belt - S3M - 420	1
13	B090 1111	Timing Pulley - 31/36T	1
14	B091 2615	Spring: Tension	1
15	B090 1115	Bracket: Tension	1
16	D019 3950	Receptacle - Transfer/Separation	1
17	B090 1076	Guide Plate: Fusing Unit: Rear: C	1
18	D019 5271	Fusing AC Harness - 120V	1
18	D019 5272	Fusing AC Harness - 230V	1
19	AA14 3301	Stepped Screw - M3x4	2
20	B209 5156	PCB: PCU	1
21	D019 3461	Charge Receptacle	1
22	D019 1184	Fly Wheel - 118.5MM	2
23	D019 1129	Brushless Motor-DC 30W	1
24	D019 5218	Harness - High Voltage B: R-C	1
25	B259 1131	Screw: PCU	2

Index No.	Part No.	Description	Q'ty Per Assembly
101	0454 3006Q	Tapping Screw - M3x6	
102	0451 3006N	Tapping Screw - 3x6	
103	0951 3008N	Screw: Polished Round: M3x8	
104	0804 6123	Hexagonal Bolt: W/Washer: M3x8	
105	0720 0060E	Retaining Ring - M6	
106	0720 0040E	Retaining Ring - M4	
107	0805 0089	Retaining Ring - M4	
108	1105 0687	Clamp: FC-30	

20. Drive Section 2 (D017/D018/D019/D020/D084/D085)



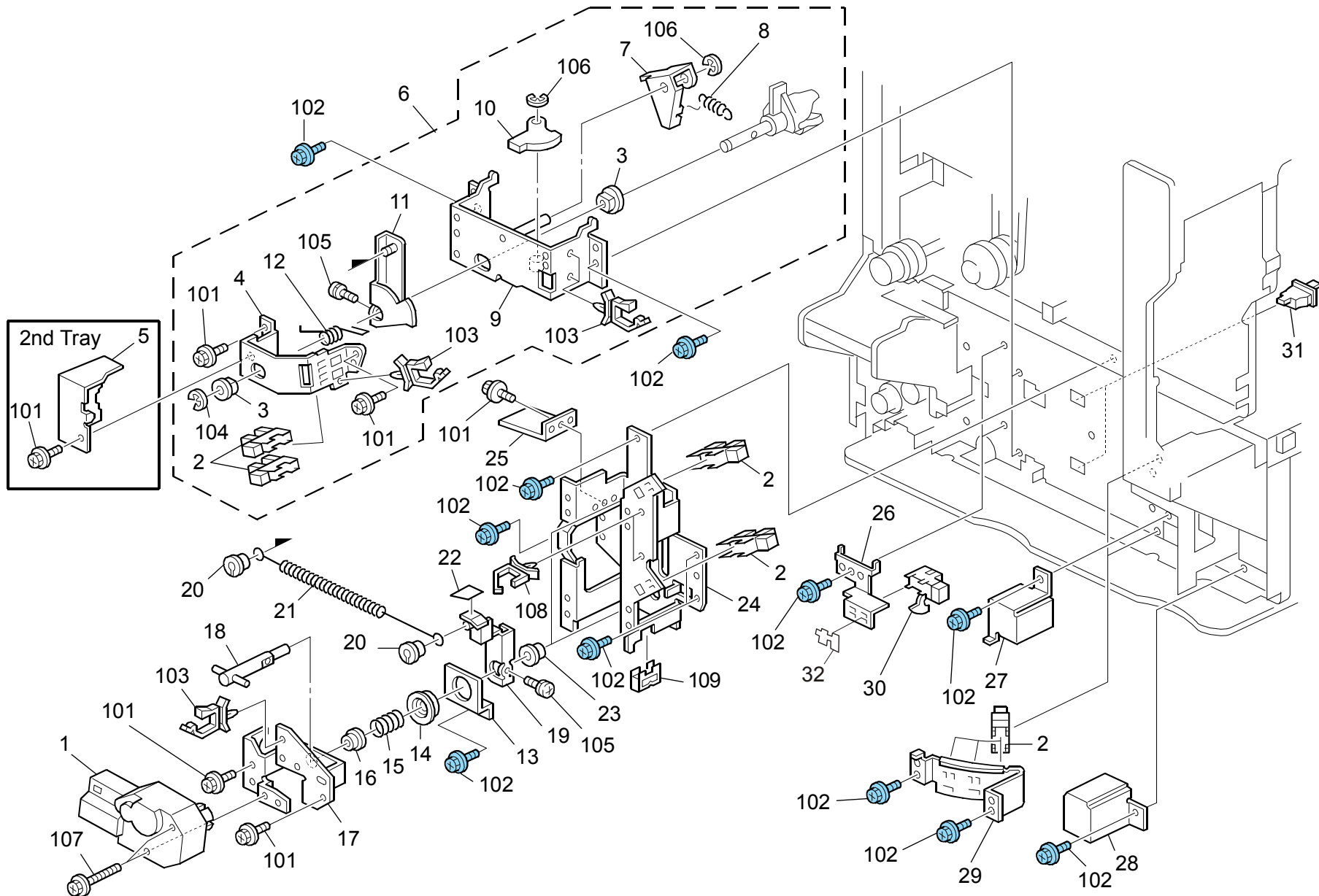
20. Drive Section 2 (D017/D018/D019/D020/D084/D085)

Index No.	Part No.	Description	Q'ty Per Assembly
1	D019 5824	Harness Bracket	1
2	B209 1183	Bracket: Connecting: Paper Feed	1
3	AB01 7522	Gear - Joint Paper Feed	1
4	AB01 7625	Gear Pulley - Registration	1
5	AA04 3516	Timing Belt - S3M - 342	1
6	G020 5626	Push Switch	1
7	AB03 0627	Timing Pulley - 18T	1
8	B091 2615	Spring: Tension	1
9	B090 2602	Bracket: Tension	1
10	AB01 1199	Gear - 31Z/54Z	2
11	AA04 3517	Timing Belt - S3M - 315	1
12	AB03 0626	Timing Pulley - 20T	2
13	D019 2816	Magnetic Clutch: 0.35N M: Z50	2
14	AX20 0290	Magnetic Clutch: 0.25N M: Z38	2
15	B090 2604	Stopper: Feed: CL	1
16	D019 2596	Cover: Drive: Paper Feed: Right	2
17	D019 5828	Grip - Rear Right	1
18	D019 5826	Connector Bracket - Manual Feed	1
19	D019 5834	Bracket - Grip	1
20	B091 2607	Snap Ring	4
21	A267 2601	Positioning Guide - Bypass Feed	1

Index No.	Part No.	Description	Q'ty Per Assembly
101	0451 3006N	Tapping Screw - 3x6	
102	0454 3006Q	Tapping Screw - M3x6	
103	0804 6123	Hexagonal Bolt: W/Washer: M3x8	
104	0720 0060E	Retaining Ring - M6	
105	1105 0516	Clamp	
106	1105 0488	Harness Clamp	
107	1105 0511	Harness Clamp - LWS-0306ZC	

21.Drive Section 3 (D017/D018/D019/D020/D084/D085)

Rev. 09/23/2010



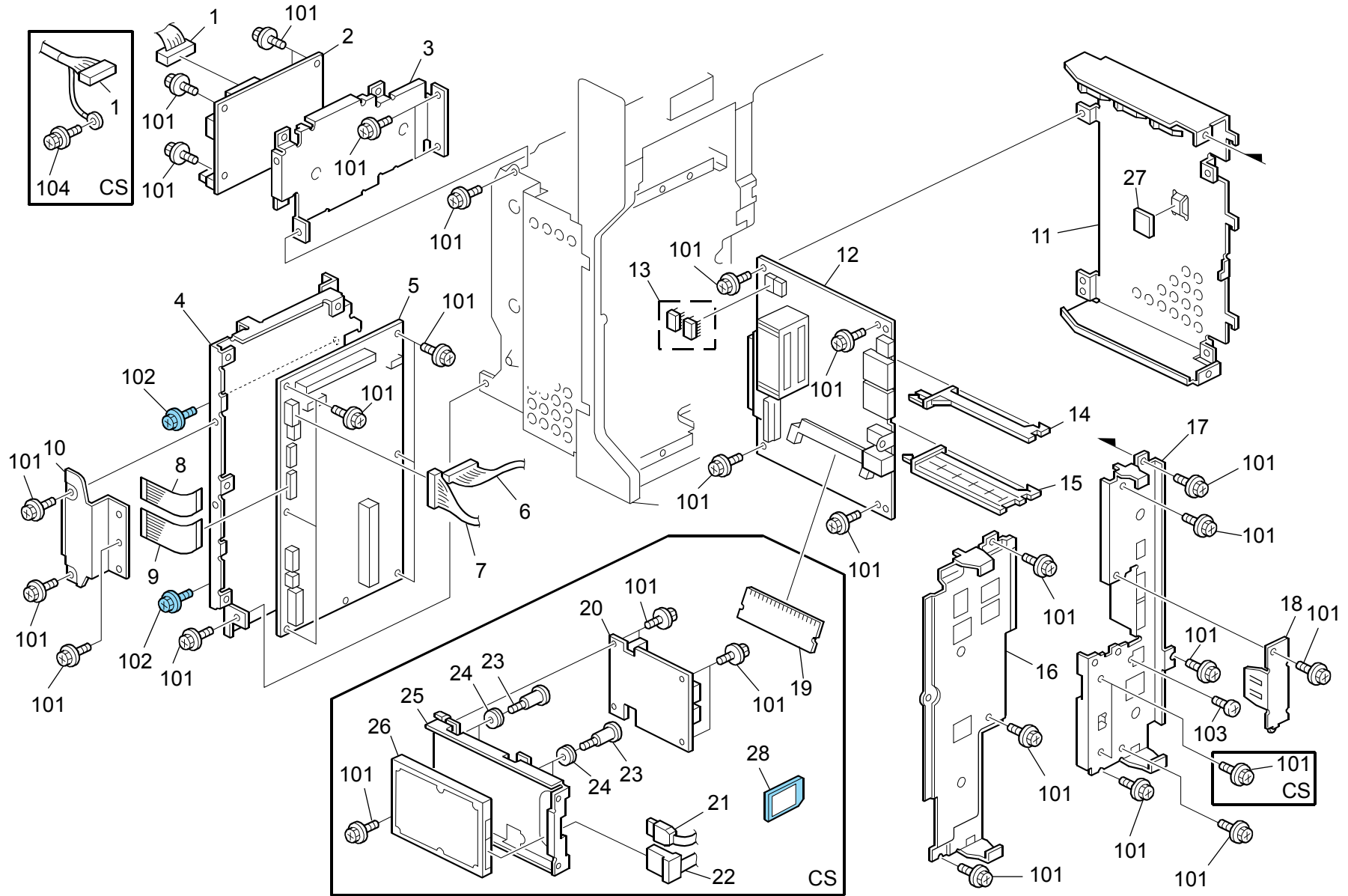
21. Drive Section 3 (D017/D018/D019/D020/D084/D085)

Rev. 09/23/2010

Index No.	Part No.	Description	Q'ty Per Assembly
1	D331 2680	DC Motor: Paper Feed: Ass'y	2
2	AW02 0141	Photointerruptor	12
3	AA08 2070	Bushing - 8x16x7	4
4	B090 2773	Bracket: Rise: 2	2
5	B090 2592	Cover: Right Inner Rear	1
6	D010 2780	Rising Unit	2
7	B024 2765	Pressure Lever Stopper	2
8	B091 2766	Tension Spring: Stopper: Return	2
9	B090 2815	Bracket: Rise: 1	2
10	A267 2770	Vibrating Plate	2
11	D010 2777	Lever - Paper Volume Sensor	2
12	B091 2767	Torsion Spring: Joint: Return	2
13	B090 2848	Stopper: Holder: Compression Spring	2
14	A267 2846	Holder - Spring	2
15	B091 2844	Compression Spring: Return	2
16	A267 2845	Bushing - DC Motor Shaft	2
17	B090 2838	Bracket: DC Motor: 2	2
18	D019 2860	Shaft: DC Motor: Ass'y	2
19	D019 2776	Lever: DC Motor: Ass'y	2
20	B031 2836	Clip: Shaft	4
21	D010 2771	Tension Spring	2
22	D019 2849	Shutter - Photointerruptor	2
23	A267 2847	Bushing - Motor Shaft	2
24	B090 2837	Bracket: DC Motor: 1	1
25	B024 2839	Harness Cover - Paper Feed	1
26	D019 2795	Side Fence Bracket	2
27	D019 2593	Cover: Positioning Pin: Middle	1
28	B090 2593	Cover: Left Inner Rear	1
29	D010 2871	Bracket - Paper Size Sensor	2
30	AW02 0173	Photointerruptor: Vertical Transport	4
31	G020 5626	Push Switch	2
32	D019 2796	Sheet: Paper Size Sensor: Side Fence	2
		[TSB#039]	

Index No.	Part No.	Description	Q'ty Per Assembly
101	0451 3006N	Tapping Screw - 3x6	
102	0454 3006Q	Tapping Screw - M3x6	
103	1105 0511	Harness Clamp - LWS-0306ZC	
104	0720 0060E	Retaining Ring - M6	
105	0950 4008Z	Philips Truss Screw - M4x8	
106	0720 0040E	Retaining Ring - M4	
107	0451 3030N	Tapping Screw: 3x30	
108	1105 0460	Clamp	
109	1105 0329	Clamp - ES-0510	

22.Electrical Section 1 (D017/D018/D019/D020/D084/D085)



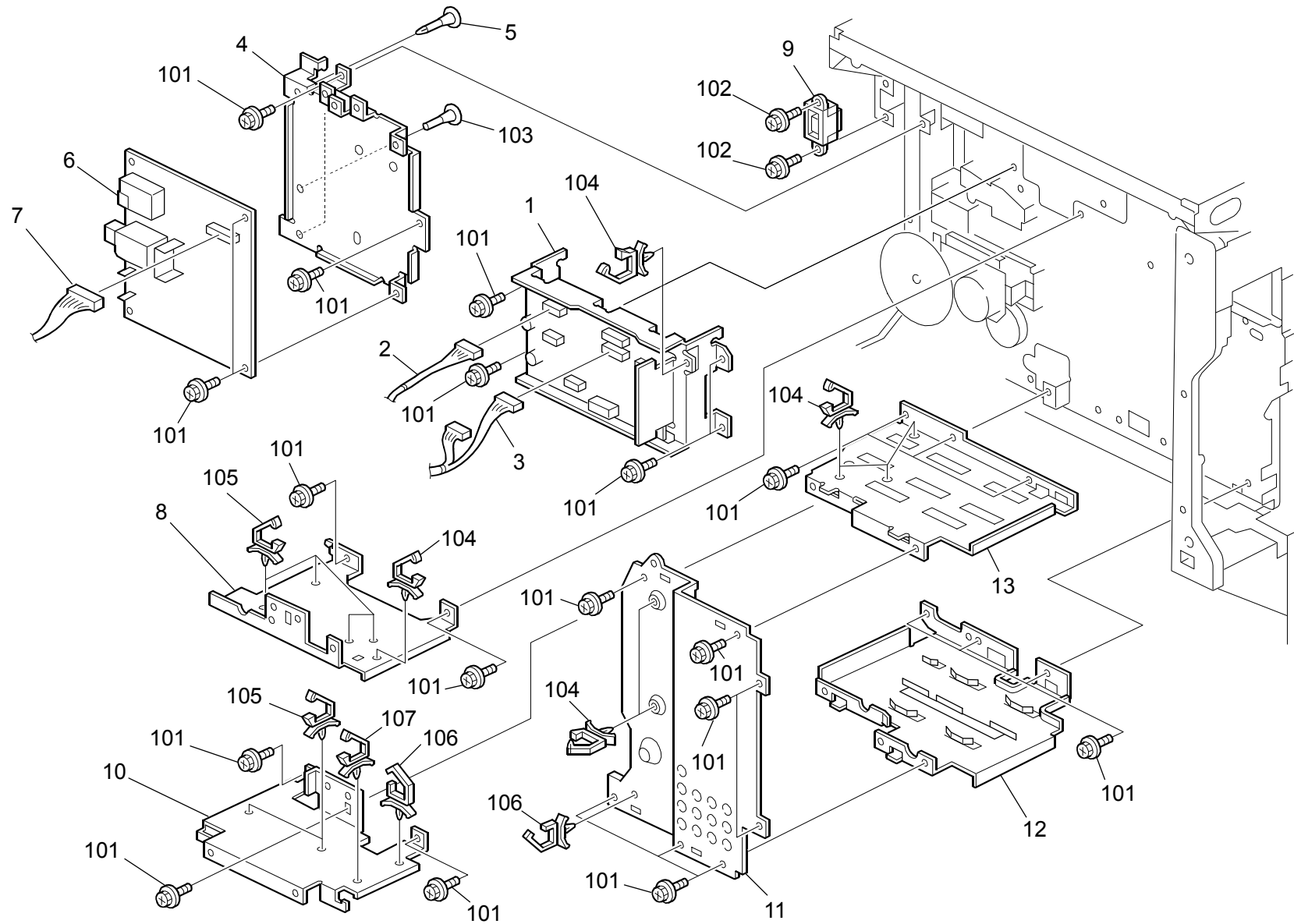
22.Electrical Section 1 (D017/D018/D019/D020/D084/D085)

Rev. 10/21/2010

Index No.	Part No.	Description	Q'ty Per Assembly
1	D019 5245	Harness - SBU MS	1
1	B238 5345	Scanner Interface Cable	1
2	D019 5130	SIU Board	1
2	D020 5162	SIU Board - CS	1
3	D019 5871	SIU Bracket	1
4	D019 5850	Bracket - IPU	1
5	D019 5153	PCB: Image Processing Unit	1
6	D019 5223	Harness - Laser Diode	1
7	D019 5226	Harness - OPU MS	1
7	D020 5211	Harness: Operation Sub-Unit: 24V	1
8	D019 5221	FFC Harness 2 - IPU	1
9	D019 5210	FFC Harness 1 - IPU	1
10	D019 5853	Cover - IPU FFC	1
11	D019 5859	Bracket 2 - Control Board	1
12	D019 5365	Controller Board - 33 MS (D019) [TSB#037]	1
12	D020 5365	PCB:CTL:RU-C5CS:CS33:EXP (D020)) [TSB#037]	1
12	D019 5366	Controller Board - 25 MS (D017)) [TSB#037]	1
12	D020 5366	PCB:CTL:RU-C5CS:CS25:EXP (D018)) [TSB#037]	1
12	D085 5310	PCB: Controller: 33 (D085)	1
12	D085 5311	PCB: Controller: 28 (D084)	1
13	D009 9590	NVRAM	1
14	D009 5899	Right Rail - Small	1
15	D009 5891	Left Rail - Fax Control Unit	1
16	D019 5890	Panel - Fax	1
17	D019 5868	Bracket - Control Board	1
18	B209 5867	Panel: Interface	1
19	B585 5130	PCB: DDR1-DIMM-32B: 256MB: Ass'y	1
19	B585 5140	PCB: DDR1-DIMM-32B: 512MB: Ass'y	1
20	D362 5170	PCB - HDD	1
21	D362 5132	Harness - HDD	1
22	D362 5131	Cable - HDD Power	1
23	AA14 3848	Stepped Screw - M3	4
24	AA16 1125	Rubber Cushion	4

Index No.	Part No.	Description	Q'ty Per Assembly
25	D362 1140	HDD Bracket	1
26	M308 5130	HDD: 80GB: MHZ2080BH: Fujitsu	1
27	D019 5899	Thermally Conductive Sheet	1
28	D092 5910	SD-Card: VM: EXP: Ass'y (D084/D085)	1
28	D383 5010	SD-Card - RPCS (D017/D018/D019/D020)	1
101	0451 3006N	Tapping Screw - 3x6	
102	0454 3006Q	Tapping Screw - M3x6	
103	0353 0050N	Screw-M3x5	
104	0804 6123	Hexagonal Bolt: W/Washer: M3x8	

23. Electrical Section 2 (D017/D018/D019/D020/D084/D085)

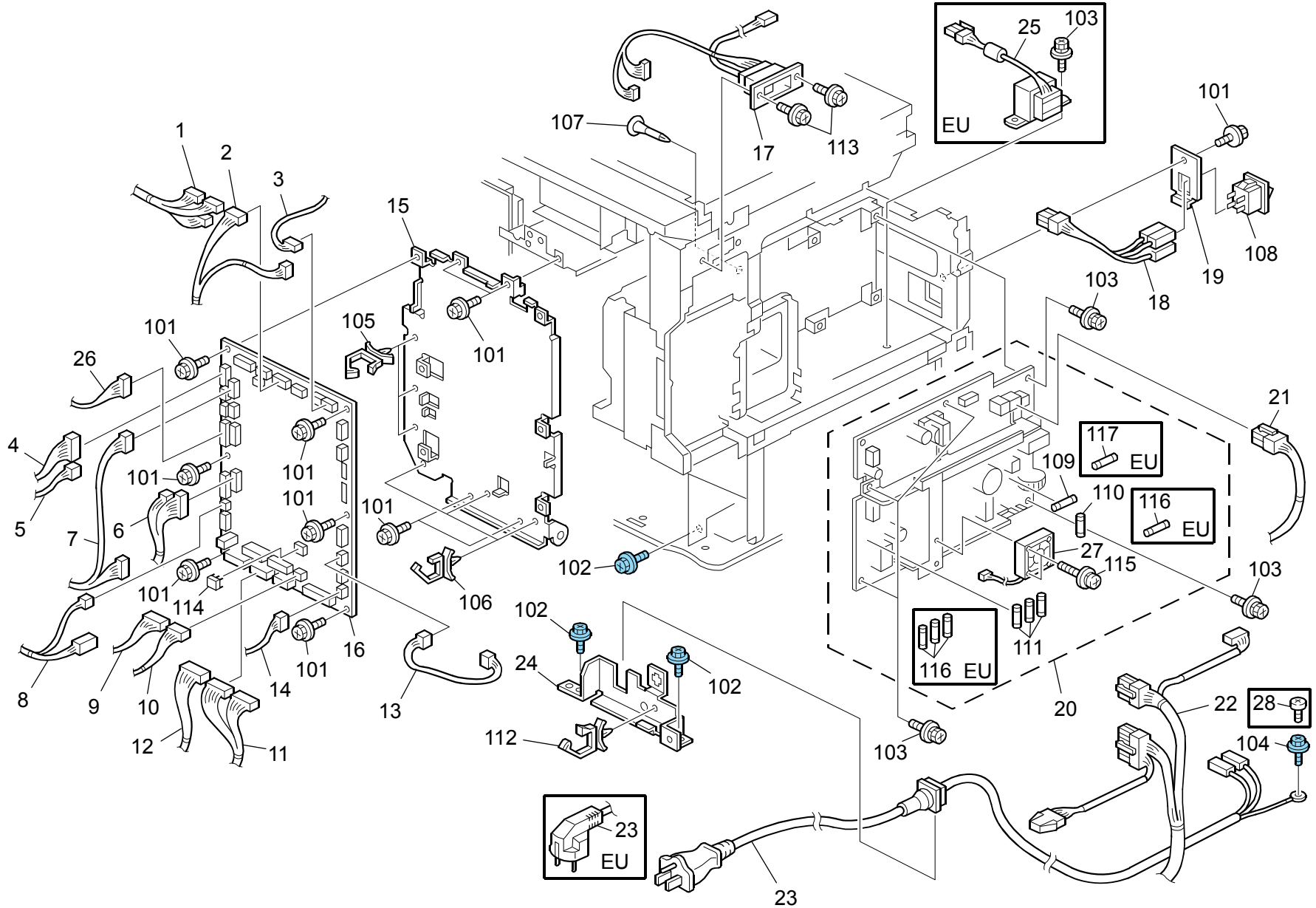


23. Electrical Section 2 (D017/D018/D019/D020/D084/D085)

Index No.	Part No.	Description	Q'ty Per Assembly
1	D019 5110	SIO Board (MS model)	1
1	D020 5180	SIO Board - CS (CS model)	1
2	D019 5254	Harness - SBU Power MS (MS model)	1
2	B238 5368	Harness - SBU (CS model)	1
3	D019 5248	Harness - BCU-SIO	1
4	B090 5833	Bracket: Power Pack	1
5	G020 5871	Spacer - KGLS-12RF	2
6	AZ32 0158	Power Pack - BCTD	1
7	D019 5217	Harness - Power Pack	1
8	D019 5839	Upper Stand - IOB	1
9	D019 5200	Harness - ADF	1
10	D019 5840	Lower Stand - IOB	1
11	D019 5875	Shading Plate - Controller	1
12	D019 5860	Application Rack - Lower	1
13	D019 5856	Application Rack - Upper	1

Index No.	Part No.	Description	Q'ty Per Assembly
101	0451 3006N	Tapping Screw - 3x6	
102	0451 3008N	Tapping Screw - M3x8	
103	1105 0499	Support Spacer - M3x29	
104	1105 0516	Clamp	
105	1105 0487	Harness Clamp	
106	1105 0292	Wire Saddle	

24. Electrical Section 3 (D017/D018/D019/D020/D084/D085)



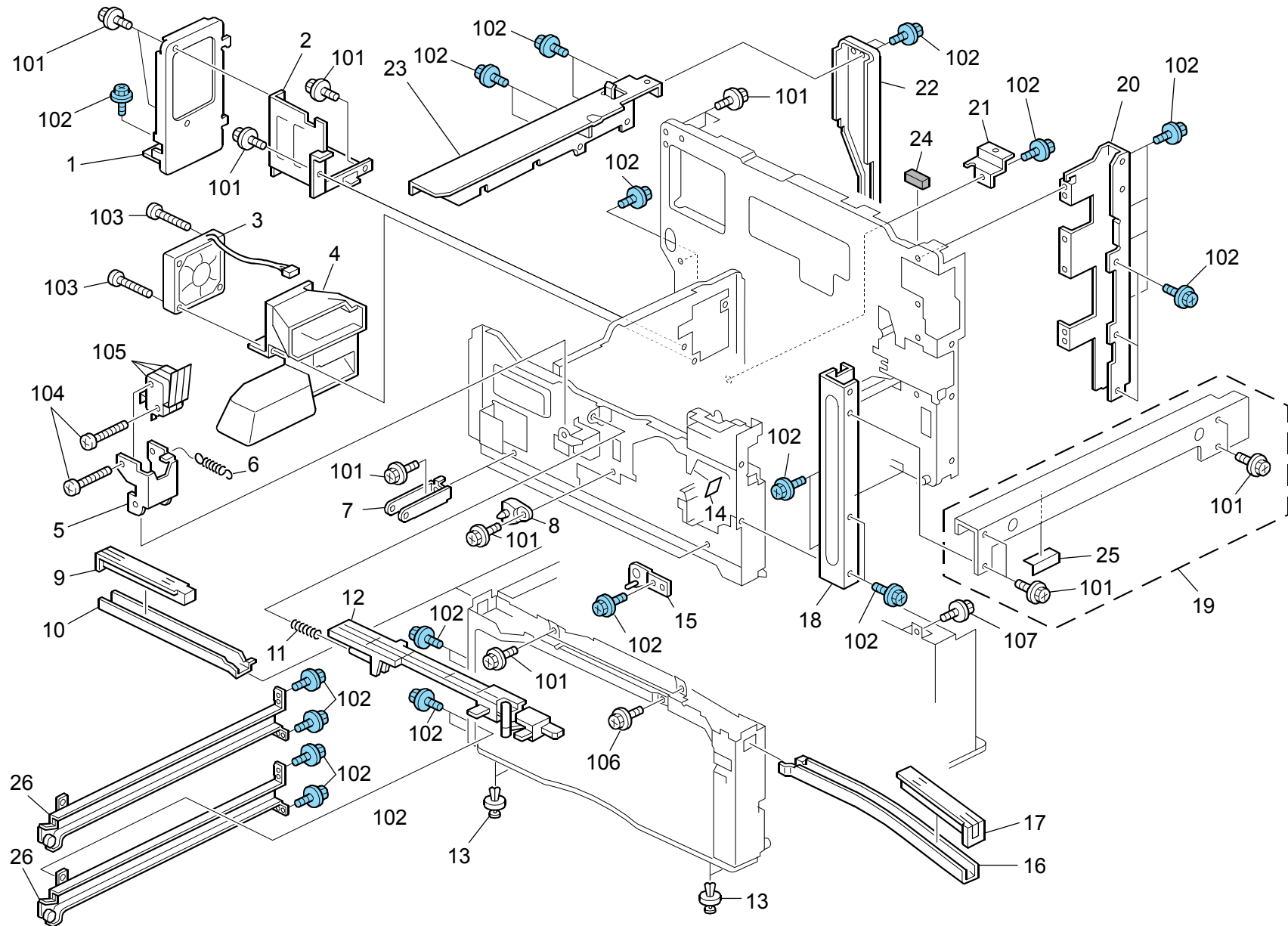
24. Electrical Section 3 (D017/D018/D019/D020/D084/D085)

Rev. 08/20/2010

Index No.	Part No.	Description	Q'ty Per Assembly
1	D019 5206	Harness - Paper Exit	1
2	D019 5200	Harness - ADF	1
3	D019 5250	Harness - Home Position Sensor	1
3	D020 5212	Harness: BCU: HPS/AKS: 5V	1
4	D019 5217	Harness - Power Pack	1
5	D019 5205	Harness - Quenching Lamp	1
6	D019 5244	Harness: Bypass: Duplex	1
7	D019 5202	Harness - Main Motor	1
8	D019 5204	Door Switch Harness	1
9	D019 5232	Harness - Paper Feed Motor	1
10	D019 5233	Harness - 1st Paper Feed	1
11	D019 5234	Harness - 2nd Paper Feed	1
12	D019 5231	Harness - Paper Size Sensor	1
13	D019 5239	Harness - IPU Power Source	1
14	D019 5209	Harness - Paper Feed Clutch	1
15	D019 5838	Bracket - IOB	1
16	D019 5055	BCU Board - 33 (D019/D020)	1
16	D019 5056	BCU Board - 25 (D017/D018)	1
16	D085 5055	PCB: BCU: 33 (D085)	1
16	D085 5056	PCB: BCU: 28 (D084)	1
17	D019 5241	Harness - Interface Unit	1
18	D019 5229	AC Harness - Main Switch	1
19	B206 5823	Bracket: Main Switch	1
20	AZ23 0221	Power Supply Unit - 120V	1
20	AZ23 0223	Power Supply Unit - 230V	1
21	D019 5213	AC Harness - Heater	1
22	D019 5212	Harness - Power Supply Unit	1
23	D019 5615	Power Supply: Cord: Stopper: NA: Ass'y	1
23	D019 5631	Power Supply Cord: Stopper: EU	1
23	B209 7617	Power Supply Cord: Stopper: TWN	1
23	D019 5691	Power Supply Cord: Stopper: CHN	1
24	D019 5831	Bracket - Power Supply Cord	1
25	B121 5018	Choke Coil	1
26	D019 5201	Harness: Regist Sensor	1
27	AX64 0179	Fan Motor: DC24V 2.4W	1

Index No.	Part No.	Description	Q'ty Per Assembly
28	AA14 3592	Screw - M4x6	1
101	0451 3006N	Tapping Screw - 3x6	
102	0454 3006Q	Tapping Screw - M3x6	
103	0804 6123	Hexagonal Bolt: W/Washer: M3x8	
104	0454 4006Q	Tapping Screw: 4x6	
105	1105 0488	Harness Clamp	
106	1105 0292	Wire Saddle	
107	1105 0296	Spacer - KGLS-16RT	
108	1204 2477	Rocker Switch - AC250V 10A	
109	1107 0652	Fuse (Glass Case) - 10A - 125V	
110	1107 0629	Fuse (Ceramic Case) - 15A - 125V	
111	1107 0391	Fuse - 5A, 125V	
112	1105 0487	Harness Clamp	
113	0451 3008N	Tapping Screw - M3x8	
114	1407 6362	EEPROM: BR24L64-W	
115	0954 3020N	Screw: Polished Round/Spring: M3x20	
116	1107 1303	Fuse: Glass Cartridge: FSL 250V 5A(EM)	
117	1107 1166	Fuse: HT-8A-N5	

25.Frame Section (D017/D018/D019/D020/D084/D085)



25.Frame Section (D017/D018/D019/D020/D084/D085)

Index No.	Part No.	Description	Q'ty Per Assembly
1	B090 1085	Bracket: Protect: Side Plate: Left Rear	1
2	D019 1106	Guide Plate: Duct: Exhaust: C	1
3	B209 1105	Fan Motor - MM80	1
4	B209 1102	Duct: Fan Motor	1
5	B090 5813	Bracket: Micro Switch	1
6	B091 5821	Tension Spring: Door Switch	1
7	D019 1088	Hinge - Front Door	1
8	A267 1930	Positioning Bracket - Laser Unit	1
9	D019 2565	Left Grip Cover	1
10	D019 2564	Left Grip	1
11	B091 5820	Compression Spring: Door Switch	1
12	B092 5815	Lever: Door Switch: Ass'y	1
13	AH01 0009	Rubber Pad - H5	4
14	A267 1059	PCU Seal	1
15	D019 1091	Bracket - PCU	1
16	D019 2562	Right Front Grip	1
16	D019 2566	Right Front Grip	1
17	D019 2567	Cover - Right Front Grip	1
18	D019 1078	Support Frame - Right Front	1
19	D019 1081	Scanner Stay - Right Lower	1
20	D019 1079	Support Frame - Right Rear	1
21	D019 2576	Grip Bracket - Rear Left	1
22	D019 1083	Guide Plate: Lengthwise: Left Rear	1
23	D019 1093	Arm - Scanner	1
24	D019 1075	Sponge Side Plate Rear (D018/D020)	1
25	D019 1086	Seal Arm Scanner	1
26	D010 2554	Supporter: Left: Ass'y	2

Index No.	Part No.	Description	Q'ty Per Assembly
101	0451 3006N	Tapping Screw - 3x6	
102	0454 3006Q	Tapping Screw - M3x6	
102	0802 5291	Tapping Screw: Round Point: M3x6	
103	0314 0300N	Pan Head Screw: M4x30	
104	0313 0350N	Pan Head Screw: M3x35	
105	1204 2510	Micro Switch	
106	0451 4008N	Tapping Screw: 4x8	
107	0451 3008N	Tapping Screw - M3x8	

26.BCU Board (D017/D018/D019/D020/D084/D085)

CAPACITOR

SYMBOL NO.	INDEX NO.	SYMBOL NO.	INDEX NO.	SYMBOL NO.	INDEX NO.	SYMBOL NO.	INDEX NO.	SYMBOL NO.	INDEX NO.	SYMBOL NO.	INDEX NO.	SYMBOL NO.	INDEX NO.
C1	176	C11	177	C21	178	C31	180	C41	231	C51	180	C61	181
C2	176	C12	174	C22	180	C32	180	C42	180	C52	180	C62	233
---	---	C13	180	C23	180	C33	180	C43	180	C53	182	C63	233
C4	180	C14	180	C24	176	C34	180	C44	180	C54	176	C64	231
C5	175	C15	180	C25	229	C35	180	C45	179	C55	230	C65	231
C6	180	C16	231	C26	228	C36	231	C46	179	C56	176	C66	180
C7	180	C17	180	C27	230	C37	231	C47	180	C57	180	C67	181
C8	233	C18	235	C28	180	C38	231	C48	180	C58	229	C68	180
C9	236	C19	180	C29	180	C39	231	C49	175	C59	234	C69	173
---	---	C20	235	---	---	C40	177	C50	176	C60	236	C70	180

CAPACITOR

SYMBOL NO.	INDEX NO.	SYMBOL NO.	INDEX NO.	SYMBOL NO.	INDEX NO.	SYMBOL NO.	INDEX NO.	SYMBOL NO.	INDEX NO.	SYMBOL NO.	INDEX NO.	SYMBOL NO.	INDEX NO.
---	---	C81	177	C500	232	C511	231	C521	231	C531	233	C541	233
---	---	C82	174	C501	176	C512	231	C522	231	C532	233	C542	234
C73	181	C83	174	C503	176	C513	231	C523	176	C533	236	C543	235
C74	175	C84	236	C504	231	C514	231	C524	176	C534	235	C544	236
C75	175	---	---	C505	231	C515	232	C525	232	C535	176	C545	176
C76	172	---	---	C506	231	C516	232	C526	176	C536	235	C546	176
C77	236	---	---	C507	231	C517	231	C527	176	C537	235	C547	232
C78	176	C88	180	C508	231	C518	231	C528	176	C538	176	C548	176
C79	177	C89	180	C509	231	C519	231	C529	176	C539	235	C549	176
C80	177	---	---	C510	231	C520	231	C530	234	C540	233	C550	231

26.BCU Board (D017/D018/D019/D020/D084/D085)

CAPACITOR

SYMBOL NO.	INDEX NO.	SYMBOL NO.	INDEX NO.	SYMBOL NO.	INDEX NO.	SYMBOL NO.	INDEX NO.	SYMBOL NO.	INDEX NO.	SYMBOL NO.	INDEX NO.	SYMBOL NO.	INDEX NO.
C551	231	C561	231	C571	236	C581	176	C591	231	C601	236	C611	176
C552	231	C562	176	C572	176	C582	176	C592	176	C602	176	C612	231
C553	231	C563	176	C573	176	C583	183	C593	231	C603	236	C613	231
C554	231	C564	183	C574	176	C584	176	C594	236	C604	176	C614	236
C555	231	C565	182	C575	236	C585	231	C595	176	C605	176	C615	176
C556	231	C566	182	C576	176	C586	176	C596	236	C606	236	C616	176
C557	231	C567	236	C577	236	C587	182	C597	236	C607	176	C617	182
C558	236	C568	236	C578	176	C588	231	C598	176	C608	231	C618	176
C559	176	C569	176	C579	236	C589	182	C599	176	C609	176	C619	176
C560	176	C570	235	C580	235	C590	176	C600	236	C610	234	C620	176

CAPACITOR

SYMBOL NO.	INDEX NO.	SYMBOL NO.	INDEX NO.	SYMBOL NO.	INDEX NO.	SYMBOL NO.	INDEX NO.	SYMBOL NO.	INDEX NO.	SYMBOL NO.	INDEX NO.	SYMBOL NO.	INDEX NO.
C621	176	C631	231	C641	234	C651	176	C661	233	C671	234	C681	176
C622	176	C632	176	C642	231	---	---	C662	236	C672	236	C682	176
C623	176	C633	231	C643	231	C653	236	---	---	C673	234	C683	176
C624	176	C634	231	C644	182	C654	176	C664	236	C674	176	C684	236
C625	182	C635	182	C645	231	C655	176	---	---	C675	236	---	---
C626	182	C636	231	C646	182	C656	176	C666	176	C676	176	---	---
C627	236	C637	176	C647	182	C657	236	---	---	C677	176	C687	176
C628	236	C638	182	C648	176	C658	233	---	---	C678	176	C688	176
C629	231	C639	231	C649	182	C659	233	---	---	C679	176	C689	176
C630	231	C640	231	C650	176	C660	176	C670	176	C680	176	C690	176

26.BCU Board (D017/D018/D019/D020/D084/D085)

CAPACITOR

SYMBOL NO.	INDEX NO.
C691	176
C692	176
C693	176
C694	176
C695	176
C696	176
C697	176
---	---
C699	176
C700	176

SYMBOL NO.	INDEX NO.
C701	176
C702	176
C703	176
C704	176
C705	176
C706	176
C707	176
C708	176
C709	176
C710	176

SYMBOL NO.	INDEX NO.
---	---
---	---
---	---
---	---
---	---
CN36	131
---	---
---	---
---	---
---	---

CONNECTOR

SYMBOL NO.	INDEX NO.
CN301	128
CN302	129
CN303	101
CN304	121
CN305	116
CN306	108
CN307	122
CN308	106
CN309	125
CN310	120

SYMBOL NO.	INDEX NO.
CN311	111
CN312	115
CN313	107
CN314	110
CN315	101
CN316	106
---	---
---	---
---	---
CN320	108

SYMBOL NO.	INDEX NO.
CN321	109
---	---
CN323	102
CN324	122
CN325	109
CN326	104
CN327	105
---	---
---	---
CN330	123

SYMBOL NO.	INDEX NO.
CN331	119
CN332	130
CN333	112
CN334	117
CN335	124
CN336	113
---	---
---	---
---	---
CN340	120

CONNECTOR

SYMBOL NO.	INDEX NO.
CN341	123
---	---
CN343	114
---	---
CN345	118
CN346	103
---	---
---	---
---	---
CN350	127

SYMBOL NO.	INDEX NO.
CN351	103
CN352	126

DIODE

SYMBOL NO.	INDEX NO.
D1	143
---	---
---	---
D4	139
D5	139
---	---
D7	139
D8	143
D9	141
---	---

SYMBOL NO.	INDEX NO.
---	---
---	---
---	---
---	---
---	---
---	---
---	---
---	---
D500	142

SYMBOL NO.	INDEX NO.
D501	142

FUSE

SYMBOL NO.	INDEX NO.
F1	132

FIL

SYMBOL NO.	INDEX NO.
FIL1	197
FIL2	197
FIL3	197

26.BCU Board (D017/D018/D019/D020/D084/D085)

IC

SYMBOL NO.	INDEX NO.
IC1	154
IC2	157
IC3	157
IC4	161
IC5	147
IC6	148
IC7	152
IC8	163
IC9	147
IC10	151

SYMBOL NO.	INDEX NO.
IC11	162
IC12	159
IC13	166
IC14	159
IC15	152
IC16	153
IC17	149
IC18	151
IC19	153
IC20	150

SYMBOL NO.	INDEX NO.
IC21	156
IC22	155
IC23	150
IC24	156
IC25	164
IC26	157
IC27	237
IC28	154
IC29	158
IC30	152

SYMBOL NO.	INDEX NO.
IC31	238
IC32	149
IC33	165
IC34	161
IC35	154
---	---
IC37	154
IC38	163
IC39	148
IC40	148

SYMBOL NO.	INDEX NO.
IC41	151
IC42	160

LED

SYMBOL NO.	INDEX NO.
LED1	145
LED2	144

OSC

SYMBOL NO.	INDEX NO.
OSC1	169
OSC2	170

Q

SYMBOL NO.	INDEX NO.
---	---
---	---
Q3	137
---	---
---	---
---	---
---	---
---	---
---	---
---	---

SYMBOL NO.	INDEX NO.
---	---
---	---
---	---
---	---
---	---
---	---
---	---
---	---
---	---
Q500	135

SYMBOL NO.	INDEX NO.
Q501	136
Q502	138
Q503	134
Q504	138
Q505	135

RESISTOR

SYMBOL NO.	INDEX NO.
R1	203
R2	204
R3	204
R4	203
R5	204
R6	203
R7	204
R8	203
R9	204
---	---

SYMBOL NO.	INDEX NO.
R11	227
R12	204
R13	171
R14	225
R15	204
R16	204
R17	204
R18	213
R19	217
R20	217

SYMBOL NO.	INDEX NO.
R21	217
R22	217
---	---
R24	204
R25	217
R26	204
R27	204
R28	204
R29	217
R30	217

SYMBOL NO.	INDEX NO.
R31	217
R32	212
R33	217
R34	217
R35	204
R36	204
R37	217
R38	217
R39	217
R40	204

26.BCU Board (D017/D018/D019/D020/D084/D085)

RESISTOR

SYMBOL NO.	INDEX NO.	SYMBOL NO.	INDEX NO.	SYMBOL NO.	INDEX NO.	SYMBOL NO.	INDEX NO.	SYMBOL NO.	INDEX NO.	SYMBOL NO.	INDEX NO.	SYMBOL NO.	INDEX NO.
R41	217	R51	217	R61	217	R71	217	R81	205	R91	224	---	---
R42	217	R52	216	R62	217	R72	217	R82	202	R92	202	---	---
R43	217	R53	217	R63	202	R73	217	R83	203	R93	209	---	---
R44	217	R54	217	R64	211	R74	217	R84	209	R94	199	---	---
R45	217	R55	203	R65	217	---	---	R85	209	R95	202	---	---
R46	203	R56	204	R66	217	R76	217	R86	204	R96	209	---	---
R47	212	R57	203	R67	217	R77	204	R87	202	---	---	---	---
R48	219	R58	217	R68	211	R78	202	R88	222	---	---	---	---
R49	205	R59	217	R69	217	R79	204	R89	202	R99	204	---	---
R50	220	R60	217	R70	217	R80	203	R90	226	---	---	R500	204

RESISTOR

SYMBOL NO.	INDEX NO.	SYMBOL NO.	INDEX NO.	SYMBOL NO.	INDEX NO.	SYMBOL NO.	INDEX NO.	SYMBOL NO.	INDEX NO.	SYMBOL NO.	INDEX NO.	SYMBOL NO.	INDEX NO.
R501	204	R511	204	R521	221	R531	202	R541	209	R551	204	R561	204
R502	203	R512	204	R522	204	R532	203	R542	217	R552	203	R562	203
R503	209	R513	201	R523	204	R533	204	R543	213	R553	217	R563	217
R504	203	R514	209	R524	204	R534	205	R544	204	R554	204	R564	204
R505	204	R515	209	R525	203	R535	209	R545	204	R555	222	R565	204
R506	209	R516	209	R526	204	R536	204	R546	203	R556	204	R566	212
R507	204	R517	213	R527	204	R537	203	R547	208	R557	204	---	---
R508	208	R518	213	R528	204	R538	204	R548	222	R558	204	R568	203
R509	201	R519	215	R529	204	R539	203	R549	204	R559	203	R569	204
R510	204	R520	215	R530	213	R540	212	R550	209	R560	217	R570	223

26.BCU Board (D017/D018/D019/D020/D084/D085)

RESISTOR

SYMBOL NO.	INDEX NO.	SYMBOL NO.	INDEX NO.	SYMBOL NO.	INDEX NO.	SYMBOL NO.	INDEX NO.	SYMBOL NO.	INDEX NO.	SYMBOL NO.	INDEX NO.	SYMBOL NO.	INDEX NO.
R571	222	R581	203	R591	203	R601	210	R611	203	R621	203	R631	217
R572	204	R582	204	R592	203	R602	203	R612	204	R622	206	R632	204
R573	203	R583	204	R593	217	R603	204	R613	213	R623	204	R633	204
R574	204	R584	217	R594	217	R604	204	R614	208	R624	204	R634	204
R575	204	R585	204	R595	217	R605	217	R615	203	R625	204	R635	217
---	---	R586	204	R596	204	R606	200	R616	204	R626	204	R636	207
R577	204	R587	212	R597	217	R607	200	R617	221	R627	204	R637	204
R578	212	R588	203	R598	217	R608	203	R618	214	R628	204	R638	204
R579	217	R589	204	R599	217	R609	217	R619	217	R629	217	R639	204
R580	217	R590	204	R600	217	R610	217	R620	203	R630	204	R640	203

RESISTOR

SYMBOL NO.	INDEX NO.	SYMBOL NO.	INDEX NO.	SYMBOL NO.	INDEX NO.	SYMBOL NO.	INDEX NO.	SYMBOL NO.	INDEX NO.	REG	INDEX NO.	SYMBOL NO.	INDEX NO.
R641	204	R651	203	---	---	R671	203	R701	217	REG1	167	RN1	184
R642	204	R652	204	R662	203	R672	204	R702	217	REG2	168	RN2	191
R643	204	R653	203	R663	204	R673	203	R703	204			RN3	195
R644	198	R654	204	R664	212	R674	204	R704	217			RN4	185
R645	203	R655	204	R665	204	R675	203	R705	218			RN5	188
R646	203	---	---	R666	204	R676	204					RN6	188
R647	198	R657	213	R667	204	R677	203					RN7	191
R648	203	R658	204	R668	204	R678	204					RN8	187
R649	200	---	---	R669	213	---	---					RN9	191
R650	204	R660	213	R670	221	---	---					RN10	184

26.BCU Board (D017/D018/D019/D020/D084/D085)

RN

SYMBOL NO.	INDEX NO.	SYMBOL NO.	INDEX NO.	SYMBOL NO.	INDEX NO.	SYMBOL NO.	INDEX NO.	SYMBOL NO.	INDEX NO.	SYMBOL NO.	INDEX NO.	SYMBOL NO.	INDEX NO.
RN11	196	RN21	191	RN31	195	RN41	185	RN51	195	RN61	185	RN71	196
RN12	191	RN22	185	RN32	185	RN42	185	RN52	185	RN62	185	RN72	191
RN13	192	RN23	195	RN33	185	RN43	184	RN53	187	RN63	185	RN73	185
RN14	191	RN24	196	RN34	189	RN44	185	RN54	185	RN64	192	RN74	186
RN15	191	RN25	195	RN35	195	RN45	184	RN55	184	RN65	191	RN75	193
RN16	195	RN26	185	RN36	195	RN46	184	RN56	185	RN66	184	RN76	184
RN17	195	RN27	195	---	---	RN47	185	RN57	185	RN67	191	RN77	187
RN18	191	RN28	191	RN38	191	RN48	185	RN58	185	RN68	194	RN78	184
RN19	195	RN29	195	RN39	185	RN49	185	RN59	185	RN69	194	RN79	187
RN20	196	---	---	RN40	185	RN50	185	RN60	195	RN70	194	RN80	191

RN

SYMBOL NO.	INDEX NO.
RN81	196
RN82	191
RN83	187
RN84	184
RN85	190

SW

SYMBOL NO.	INDEX NO.
SW2	133

ZD

SYMBOL NO.	INDEX NO.
ZD1	140
ZD2	140

TH

SYMBOL NO.	INDEX NO.
TH1	146

26.BCU Board (D017/D018/D019/D020/D084/D085)

Index No.	Part No.	Description	Q'ty Per Assembly
*	D019 5055	BCU Board – 33 (D019/D020)	1
*	D019 5056	BCU Board – 25 (D017/D018)	1
*	D085 5055	PCB: BCU: 33 (D085)	1
*	D085 5056	PCB: BCU: 28 (D084)	1
101	1102 4201	Connector - 2P	
102	1102 4203	CT Header - 4P	

Index No.	Part No.	Description	Q'ty Per Assembly
103	1102 4621	CT Header - 4P	
104	1102 4205	CT Header - 6P	
105	1102 4206	Connector - 7P	
106	1102 4209	CT Header - 10P	
107	1102 4627	Connector - 10P	
108	1102 4210	Connector - 11P	
109	1102 4211	CT Header - 12P	
110	1102 5007	CT Header - 14P	
111	1102 5306	Connector - 7P	
112	1102 6295	Connector - 2P	
113	1102 8470	Connector - 55447-0610	
114	1102 6297	Connector - 4P	
115	1102 6662	Connector - 4P	
116	1102 6403	Connector - 30P	
117	1102 8476	Connector - 55447-1210	
118	1102 8477	Connector - 13P	
119	1103 3993	Connector	
120	1103 3992	Connector	
121	1103 3984	Connector	
122	1103 3986	Connector	
123	1103 3988	Connector	
124	1103 3990	Connector	
125	1103 4004	Connector	
126	1103 3173	Connector: FH12-36S-0.5SV(89)	
127	1103 3177	Connector - FH12-45S-0.5SV(89)	
128	1103 3178	Connector - FH12-50S-0.5SH(89)	
129	1103 3207	Connector - FH12-36S-0.5SH(89)	
130	1103 3663	Connector: 55451-1670	
131	1104 0764	IC Socket - 8 PIN	
132	1109 0042	Fuse: MINISMDC150F	
133	1204 2756	Dip Switch: NDI-04H-V	
134	1400 0381	Transistor - 2SA1036KR	
135	1400 0702	Transistor - DTD143EK	
136	1400 0855	Transistor - 2SA1235A	
137	1400 1249	Transistor: SRA2201UF	

Index No.	Part No.	Description	Q'ty Per Assembly
138	1401 1056	FET - 2SK2158	
139	1402 1337	Diode-RB731U	
140	1402 1663	Diode - ZTP12B	
141	1402 1854	Diode: RF071M2S	
142	1402 1911	Diode - SDS511	
143	1402 1977	Diode: SDB310Q	
144	1403 0953	LED - SML-310MT	
145	1403 0996	LED - SML-310VT	
146	1404 0360	Thermistor - 103HT	
147	1407 1535	IC - TD62308AP	
148	1407 2219	IC - TD62003AP	
149	1407 5192	CMOS Logic: TC7SZ04FU	
150	1407 5347	IC - SN74LV08APW	
151	1407 5351	IC - SN74LV14APW	
152	1407 5353	IC - SN74LV244APW	
153	1407 5463	IC - SN74LV245APW	
154	1407 5469	IC - SN74LV07APW	
155	1407 5509	IC - SN74AHCT08PW	
156	1407 5633	IC - SN74LV574APW	
157	1407 5713	IC: SN74LV06APW	
158	1407 6166	IC - ESOC	
159	1407 6759	Custom IC: EIO	
160	1407 6804	CMOS Logic: TC7SZ04FU	
161	1407 6847	Motor Control IC: STK672-600B-E	
162	1407 6777	CMOS Logic: TC7SZ14FU	
163	1408 1204	IC - TA8083P	
164	1408 1550	IC - LM2902PW	
165	1408 1826	IC - R3112Q421A	
166	1408 1911	Comparator - LM2903PW	
167	1408 2247	Series Regulator: R1114N181B-FA	
168	1408 2514	Series Regulator: UPC2933BT-AZ	
169	1503 1004	Oscillator - 19.6608MHz	
170	1503 1215	Crystal Oscillator - 17.5MHz	
171	1600 1238	Resistor - 220Ω 3W	
172	1604 4728	Capacitor - 100μF±20% 16V	

Index No.	Part No.	Description	Q'ty Per Assembly
173	1604 4729	Capacitor - 47μF±20% 16V	
174	1604 4759	Capacitor - 10μF±20% 50V	
175	1604 5066	Capacitor 100μF: ±20%: 50V	
176	1605 1137	Capacitor - 470pF ±10% 50V	
177	1605 1148	Capacitor - 0.1μF+80-20% 50V	
178	1605 1200	Capacitor - 10pF ±0.5pF 50V	
179	1605 1208	Capacitor: 100pF: ±5%: 50V	
180	1605 1289	Capacitor - 0.1μF±10% 10V	
181	1605 1347	Capacitor - 1μF: +80-20%: 16V	
182	1605 1353	Capacitor - 0.1μF±10% 25V	
183	1605 1490	Capacitor: 2.2μF: ±10%: 25V	
184	1609 0006	Resistor: 10K Ω: ±5%: 1/16W	
185	1609 0007	Resistor - 68Ω ±5% 1/16W	
186	1609 0012	Resistor: 3.3K Ω: ±5%: 1/16W	
187	1609 0015	Resistor - 1KΩ ±5%: 1/16W	
188	1609 0018	Resistor: 2.2K OHM: ±5%: 1/16W	
189	1609 0025	Resistor - 100Ω ±5% 1/16W	
190	1609 0030	Resistor Array: 220 Ω: ±5%: 1/16W: 8Number	
191	1609 0039	Resistor Array: 10K Ω: ±5%: 1/16W: 4Number	
192	1609 0041	Resistor Array: 100 Ω: ±5%: 1/16W: 4Number	
193	1609 0042	Resistor Array: 3.3K Ω: ±5%: 1/16W: 4Number	
194	1609 0044	Resistor Array: 33 Ω: ±5%: 1/16W: 4Number	
195	1609 0048	Resistor Array: 68 Ω: ±5%: 1/16W: Number	
196	1609 0049	Resistor Array: 1K Ω: ±5%: 1/16W: 4Number	
197	1632 0000	Resistor - 0 Ω 1/8W	
198	1634 0000	Resistor - 0 Ω 1/16W	
199	1650 2339	Resistor: 3.3 Ω: ±5%: 1/4W: 3216	
200	1650 2472	Chip Resistor-4.7K	
201	1650 4100	Resistor - 10Ω ±5% 1/10W	
202	1650 4101	Resistor - 100Ω±5%1/10W	
203	1650 4102	Resistor - 1KΩ ±5% 1/10W	
204	1650 4103	Resistor - 10KΩ ±5% 1/10W	
205	1650 4105	Resistor - 1MΩ ±5% 1/10W	
206	1650 4203	Resistor - 20KΩ ±5% 1/10W	
207	1650 4220	Chip Resistor - 22Ω ±5% 1/10W	

208	1650 4221	Resistor - 220Ω±5%1/10W
209	1650 4222	Resistor - 2.2KΩ±5%1/10W
210	1650 4223	Resistor - 22KΩ±5%1/10W
211	1650 4271	Resistor - 270Ω±5%1/10W
212	1650 4330	Chip Resistor - 33Ω ±5% 1/10W
213	1650 4332	Resistor - 3.3KΩ±5%1/10W
214	1650 4392	Chip Resistor - 3.9KΩ±5%1/10W
215	1650 4472	Resistor - 4.7KΩ ±5% 1/10W
216	1650 4560	Chip Resistor - 56Ω ±5% 1/10W
217	1650 4680	Resistor - 68Ω±5%1/10W
218	1654 1003	Resistor - 100KΩ±1%1/10W
219	1654 1004	Chip Resistor - 1MΩ ±1% 1/10W
220	1654 1501	Resistor - 1.5K Ω ±1% 1/10W 1608
221	1654 1542	Resistor - 15.4K Ω ±1% 1/10W 1608
222	1654 2002	Resistor - 20KΩ±1%1/10W
223	1654 2401	Resistor - 2.4KΩ ±1% 1/10W
224	1654 3090	Resistor: 309 Ω: ±1%: 1/10W: 1608
225	1654 5600	Resistor - 560Ω±1% 1/10W
226	1654 3901	Resistor - 3.9KΩ±1% 1/10W
227	1654 5231	Resistor - 5.23KΩ±1%1/10W
228	1660 2101	Capacitor - 100pF - ±10% - 50V
229	1660 2120	Capacitor - 12 pF ±5% 50V
230	1660 2150	Capacitor - 15pF ±5% 50V
231	1660 2470	Capacitor - 47pF ±5% 50V
232	1660 2471	Capacitor - 470pF - ±5% - 50V
233	1660 4102	Capacitor - 1000pF ±10% 50V
234	1660 4103	Capacitor - 10000pF - ±10% - 50V
235	1660 4472	Capacitor - 4700pF±10% 50V
236	1660 8104	Capacitor - 0.1μF+80-20% 25V
237	1902 0069	SRAM - 4mx16 3.3V G1
238	1906 0101	Flash Memory: S29GL032A90TFIR40

27.Controller Board (D017/D018/D019/D020/D084/D085)

BAT

SYMBOL NO.	INDEX NO.
BAT1	114

CAPACITOR

SYMBOL NO.	INDEX NO.
---	---
---	---
---	---
C4	195
C5	193
C6	186
C7	189
C8	183
C9	186
C10	212

SYMBOL NO.	INDEX NO.
C11	195
C12	198
C13	182
C14	218
---	---
---	---
C17	195
---	---
C19	195
C20	198

SYMBOL NO.	INDEX NO.
C21	195
---	---
C23	195
C24	182
C25	193
---	---
C27	181
C28	181
C29	193
C30	218

SYMBOL NO.	INDEX NO.
C31	193
C32	180
C33	212
---	---
---	---
---	---
---	---
---	---
C39	180
---	---

SYMBOL NO.	INDEX NO.
C41	186
C42	188
C43	209
C44	194
C45	186
C46	195
C47	213
C48	192
C49	218
C50	182

SYMBOL NO.	INDEX NO.
C51	195
C52	195
---	---
C54	195
C55	195
C56	182
C57	195
C58	195
C59	195
C60	195

CAPACITOR

SYMBOL NO.	INDEX NO.
C61	192
C62	208
C63	208
C64	189
---	---
C66	195
C67	205
C68	195
C69	205
C70	200

SYMBOL NO.	INDEX NO.
C71	188
C72	197
C73	189
C74	195
C75	195
C76	215
C77	195
C78	189
C79	195
C80	192

SYMBOL NO.	INDEX NO.
C81	185
---	---
---	---
C84	192
C85	205
C86	192
C87	192
C88	200
C89	198
C90	192

SYMBOL NO.	INDEX NO.
C91	189
C92	193
C93	195
C94	189
C95	189
C96	195
C97	189
C98	182
C99	195
---	---

SYMBOL NO.	INDEX NO.
---	---
C102	186
C103	189
C104	184
---	---
---	---
C107	182
C108	189
C109	192
C110	205

SYMBOL NO.	INDEX NO.
C111	183
C112	205
C113	205
C114	195
C115	189
C116	195
C117	210
C118	188
C119	218
C120	189

SYMBOL NO.	INDEX NO.
C121	182
C122	211
C123	195
C124	179
C125	195
C126	195
C127	195
C128	195
C129	183
C130	201

27.Controller Board (D017/D018/D019/D020/D084/D085)

CAPACITOR

SYMBOL NO.	INDEX NO.	SYMBOL NO.	INDEX NO.	SYMBOL NO.	INDEX NO.	SYMBOL NO.	INDEX NO.	SYMBOL NO.	INDEX NO.	SYMBOL NO.	INDEX NO.	SYMBOL NO.	INDEX NO.
C131	189	C141	201	C151	179	C161	195	C171	195	C181	195	C191	198
C132	192	C142	201	C152	189	C162	195	C172	195	C182	207	C192	198
C133	198	C143	189	---	---	C163	208	C173	207	C183	189	C193	189
C134	182	C144	193	C154	192	C164	189	---	---	C184	189	C194	205
---	---	C145	189	---	---	C165	212	C175	189	C185	195	C195	193
C136	192	C146	189	C156	207	---	---	C176	195	C186	192	C196	189
C137	201	C147	193	C157	189	C167	212	C177	195	C187	192	C197	187
C138	218	C148	179	---	---	---	---	C178	187	C188	189	C198	195
C139	201	---	---	C159	195	C169	195	C179	195	C189	195	C199	193
C140	201	C150	189	C160	195	C170	205	C180	195	C190	195	C200	188

CAPACITOR

SYMBOL NO.	INDEX NO.	SYMBOL NO.	INDEX NO.	SYMBOL NO.	INDEX NO.	SYMBOL NO.	INDEX NO.	SYMBOL NO.	INDEX NO.	SYMBOL NO.	INDEX NO.	SYMBOL NO.	INDEX NO.
C201	187	C211	208	C221	205	C231	193	C241	195	C251	188	C261	189
C202	189	C212	195	C222	193	C232	187	C242	192	C252	195	C262	192
C203	193	C213	198	C223	187	C233	203	C243	195	C253	195	C263	192
C204	189	C214	193	C224	189	C234	195	C244	195	C254	192	C264	192
C205	208	C215	193	C225	205	C235	189	C245	189	C255	189	C265	189
C206	189	C216	187	C226	193	C236	187	---	---	C256	195	C266	195
C207	192	C217	208	C227	189	C237	192	C247	314	C257	195	---	---
C208	205	C218	213	C228	206	C238	211	C248	195	C258	187	C268	192
C209	187	C219	189	C229	193	C239	195	C249	195	C259	189	C269	192
C210	187	C220	195	C230	193	C240	195	C250	205	C260	189	C270	189

27.Controller Board (D017/D018/D019/D020/D084/D085)

CAPACITOR

SYMBOL NO.	INDEX NO.	SYMBOL NO.	INDEX NO.	SYMBOL NO.	INDEX NO.	SYMBOL NO.	INDEX NO.	SYMBOL NO.	INDEX NO.	SYMBOL NO.	INDEX NO.	SYMBOL NO.	INDEX NO.
C271	192	C281	195	C291	192	C301	189	C311	192	C321	205	C331	195
C272	189	C282	195	C292	195	C302	199	C312	192	C322	189	C332	189
C273	189	C283	205	C293	205	C303	189	C313	192	C323	192	C333	205
C274	189	---	---	C294	184	C304	199	C314	192	C324	192	C334	205
C275	192	C285	213	C295	189	C305	189	C315	192	C325	205	C335	193
C276	189	C286	195	C296	192	C306	189	C316	192	C326	192	C336	189
C276	195	C287	189	C297	189	C307	189	C317	189	C327	208	C337	187
C277	189	C288	192	C298	199	C308	189	C318	211	C328	213	C338	187
C279	189	C289	189	C299	189	C309	192	C319	195	C329	193	C339	193
C280	192	C290	192	C300	199	C310	213	C320	189	C330	195	C340	198

CAPACITOR

SYMBOL NO.	INDEX NO.	SYMBOL NO.	INDEX NO.	SYMBOL NO.	INDEX NO.	SYMBOL NO.	INDEX NO.	SYMBOL NO.	INDEX NO.	SYMBOL NO.	INDEX NO.	SYMBOL NO.	INDEX NO.
C341	189	C351	203	C361	195	C371	195	C381	189	C391	192	C401	212
C342	195	---	---	C362	189	C372	195	C382	192	C392	212	C402	212
C343	189	C353	189	C363	192	C373	195	C383	192	C393	189	C403	212
C344	189	C354	189	C364	192	C374	189	C384	192	C394	192	---	---
C345	192	C355	192	C365	195	C375	192	C385	189	C395	192	---	---
C346	205	C356	189	C366	195	C376	192	C386	192	C396	187	C406	195
C347	192	C357	188	C367	213	C377	192	C387	189	C397	187	C407	189
C348	213	C358	208	C368	213	C378	189	C388	192	---	---	C408	192
C349	195	C359	192	C369	205	C379	213	C389	189	---	---	C409	192
C350	189	C360	195	C370	189	C380	189	C390	189	---	---	C410	212

27.Controller Board (D017/D018/D019/D020/D084/D085)

CAPACITOR

SYMBOL NO.	INDEX NO.	SYMBOL NO.	INDEX NO.	SYMBOL NO.	INDEX NO.	SYMBOL NO.	INDEX NO.	SYMBOL NO.	INDEX NO.	SYMBOL NO.	INDEX NO.	SYMBOL NO.	INDEX NO.
C411	198	C421	189	C431	205	C441	195	C451	195	C461	189	C471	192
C412	212	C422	187	C432	212	C442	189	C452	195	C462	195	C472	192
C413	198	C423	213	C433	212	C443	187	C453	195	C463	189	C473	195
C414	212	C424	212	C434	212	C444	195	C454	192	C464	192	C474	195
C415	214	C425	192	C435	212	C445	189	C455	188	---	---	C475	192
C416	205	C426	198	C436	212	C446	195	C456	189	C466	195	C476	189
C417	198	C427	189	C437	195	C447	195	C457	189	C467	189	C477	192
C418	195	C428	198	C438	195	C448	205	C458	195	---	---	C478	189
C419	195	C429	212	C439	195	C449	195	C459	189	C469	205	C479	191
C420	195	C430	212	C440	189	C450	204	C460	195	C470	213	---	---

CAPACITOR

SYMBOL NO.	INDEX NO.	SYMBOL NO.	INDEX NO.	SYMBOL NO.	INDEX NO.	SYMBOL NO.	INDEX NO.	SYMBOL NO.	INDEX NO.	SYMBOL NO.	INDEX NO.	SYMBOL NO.	INDEX NO.
C481	195	C491	192	C501	203	C511	195	C521	211	C531	186	C541	310
C482	201	C492	198	C502	189	C512	192	C522	192	C532	186	C542	310
---	---	C493	195	C503	192	C513	216	C523	189	C533	189	C543	309
C484	213	C494	188	C504	195	C514	211	C524	190	C534	189	C544	308
C485	192	C495	189	C505	189	C515	314	C525	189	C535	192	C545	189
C486	189	C496	212	C506	192	C516	314	C526	216	C536	192	C546	192
C487	195	C497	188	C507	185	C517	189	C527	192	C537	192	C547	213
C488	192	C498	189	C508	201	C518	195	C528	192	C538	201	C548	182
C489	201	C499	192	C509	189	C519	195	C529	192	C539	308	C549	183
C490	189	C500	178	C510	192	C520	189	C530	186	C540	309	C550	308

27.Controller Board (D017/D018/D019/D020/D084/D085)

CAPACITOR

SYMBOL NO.	INDEX NO.	SYMBOL NO.	INDEX NO.	SYMBOL NO.	INDEX NO.	SYMBOL NO.	INDEX NO.	SYMBOL NO.	INDEX NO.	SYMBOL NO.	INDEX NO.	SYMBOL NO.	INDEX NO.
C551	309	C561	310	C571	308	---	---	C591	196	C601	314	C611	189
C552	310	---	---	C572	309	---	---	C592	205	---	---	C612	189
C553	310	C563	211	C573	310	C583	202	C593	195	C603	213	C613	189
C554	309	C564	310	C574	310	C584	179	C594	189	C604	217	C614	212
C555	308	C565	309	C575	309	C585	201	C595	194	C605	189	C615	189
C556	183	C566	308	C576	308	C586	195	C596	192	C606	198	C616	189
C557	213	C567	201	C577	179	C587	195	C597	189	C607	192	C617	195
C558	183	C568	201	C578	195	C588	195	C598	205	C608	205	C618	195
C559	308	C569	201	---	---	C589	195	C599	205	C609	208	C619	195
C560	309	C570	195	---	---	C590	195	C600	203	C610	195	C620	217

CAPACITOR

SYMBOL NO.	INDEX NO.
C621	192
C622	203
---	---
C624	192

CONNECTOR

SYMBOL NO.	INDEX NO.
CN701	101
CN702	109
CN703	105
---	---
CN705	106
CN706	106
CN707	107
CN708	104
CN709	108
CN710	103

SYMBOL NO.	INDEX NO.
CN711	102

DIODE

SYMBOL NO.	INDEX NO.
D1	124
D2	124
D3	124
D4	123
D5	122
---	---
D7	122
D8	125
D9	122
D10	122

SYMBOL NO.	INDEX NO.
D11	122

FIL

SYMBOL NO.	INDEX NO.
FIL1	220
FIL2	220
FIL3	221
FIL4	226
FIL5	226
FIL6	225
FIL7	219
FIL8	221
FIL9	221
FIL10	221

SYMBOL NO.	INDEX NO.
FIL11	222
FIL12	222
FIL13	219
FIL14	219
FIL15	219
FIL16	222
FIL17	225

27.Controller Board (D017/D018/D019/D020/D084/D085)

FUSE

SYMBOL NO.	INDEX NO.
FU1	112
FU2	110
FU3	111

IC

SYMBOL NO.	INDEX NO.
IC1	148
IC2	156
IC3	313
IC4	143
IC5	161
IC6	146
IC7	145
IC8	313
IC9	154
IC10	164

SYMBOL NO.	INDEX NO.
---	---
---	---
IC13	141
IC14	133
---	---
---	---
IC17	165
IC18	149
IC19	142
IC20	153

SYMBOL NO.	INDEX NO.
IC21	144
IC22	163
IC23	152
IC24	130
IC25	147
IC26	147
IC27	136
---	---
---	---
---	---

SYMBOL NO.	INDEX NO.
IC31	317
---	---
IC33	135
IC34	135
IC35	313
---	---
IC37	150
---	---
---	---
---	---
IC40	140

SYMBOL NO.	INDEX NO.
IC41	313
IC42	134
IC43	137
IC44	135
IC45	312
IC46	155
---	---
---	---
IC49	159
IC50	151

SYMBOL NO.	INDEX NO.
IC51	154
IC52	151
---	---
IC54	135
IC55	152
IC56	152
IC57	157
---	---
IC59	151
IC60	152

IC

SYMBOL NO.	INDEX NO.
IC61	139
IC62	158
IC63	132
IC64	131
IC65	157
IC66	152
IC67	138
IC68	137
IC69	162
IC70	160

SYMBOL NO.	INDEX NO.
IC71	151
IC72	157
IC73	136
IC74	157
---	---
IC76	133
---	---
---	---
---	---
---	---

SYMBOL NO.	INDEX NO.
---	---
---	---
---	---
---	---
IC135	311

L

SYMBOL NO.	INDEX NO.
L1	227
L2	227
L3	224
L4	228
L5	228
L6	229
L7	223

LED

SYMBOL NO.	INDEX NO.
LED1	128
LED2	127
LED3	126
LED58	129

OSC

SYMBOL NO.	INDEX NO.
OSC1	167
OSC2	166
OSC3	169
OSC4	168
OSC5	170

Q

SYMBOL NO.	INDEX NO.
Q1	118
Q2	118
Q3	121
Q4	120
Q5	121
Q6	120
---	---
Q8	116
Q9	117
Q10	121

27.Controller Board (D017/D018/D019/D020/D084/D085)

Q

RESISTOR

SYMBOL NO.	INDEX NO.	SYMBOL NO.	INDEX NO.	SYMBOL NO.	INDEX NO.	SYMBOL NO.	INDEX NO.	SYMBOL NO.	INDEX NO.	SYMBOL NO.	INDEX NO.	SYMBOL NO.	INDEX NO.
Q11	115	R1	242	R11	274	R21	288	R31	277	R41	294	R51	278
Q12	115	R2	242	R12	242	R22	300	R32	261	R42	294	R52	270
---	---	R3	289	R13	299	R23	277	R33	267	R43	261	R53	249
Q14	119	R4	242	---	---	R24	300	R34	273	R44	249	R54	261
Q15	119	R5	242	R15	277	R25	298	R35	289	R45	249	R55	303
		R6	242	R16	272	R26	277	R36	278	R46	278	R56	298
		R7	289	R17	242	R27	290	R37	278	R47	293	R57	270
		R8	274	R18	259	R28	298	R38	284	R48	278	R58	249
		R9	293	R19	288	R29	300	---	---	R49	259	R59	290
		R10	269	R20	300	R30	259	---	---	R50	293	R60	278

RESISTOR

SYMBOL NO.	INDEX NO.	SYMBOL NO.	INDEX NO.	SYMBOL NO.	INDEX NO.	SYMBOL NO.	INDEX NO.	SYMBOL NO.	INDEX NO.	SYMBOL NO.	INDEX NO.	SYMBOL NO.	INDEX NO.
R61	270	R71	270	R81	261	R91	279	R101	256	R111	290	R121	298
R62	249	R72	277	R82	261	---	---	R102	285	R112	274	---	---
R62	278	R73	298	R83	259	R93	290	R103	290	R113	277	R123	279
R64	259	R74	274	R84	298	R94	278	R104	259	---	---	R124	278
R65	270	---	---	R85	278	R95	305	---	---	---	---	R125	247
R66	243	R76	298	R86	290	R96	292	R106	305	R116	298	R126	259
R67	270	R77	289	R87	278	R97	278	---	---	R117	298	R127	253
R68	259	R78	289	R88	290	R98	291	R108	261	R118	279	R128	298
R69	290	R79	278	R89	278	R99	290	R109	298	R119	248	R129	290
R70	243	R80	305	R90	290	R100	278	R110	290	R120	286	R130	278

27.Controller Board (D017/D018/D019/D020/D084/D085)

RESISTOR

SYMBOL NO.	INDEX NO.	SYMBOL NO.	INDEX NO.	SYMBOL NO.	INDEX NO.	SYMBOL NO.	INDEX NO.	SYMBOL NO.	INDEX NO.	SYMBOL NO.	INDEX NO.	SYMBOL NO.	INDEX NO.
R131	248	R141	248	R151	278	R161	259	R171	290	R181	259	R191	242
R132	277	R142	249	---	---	---	---	R172	290	R182	249	---	---
R133	277	---	---	R153	278	R163	290	R173	290	R183	249	---	---
R134	277	R144	274	R154	277	R164	297	R174	290	R184	290	R194	249
R135	306	R145	248	R155	277	R165	259	---	---	R185	259	---	---
R136	306	---	---	R156	277	R166	258	R176	252	R186	248	---	---
R137	290	R147	249	R157	255	R167	259	R177	296	---	---	R197	280
R138	255	R148	295	R158	255	R168	259	R178	248	---	---	R198	249
---	---	R149	261	R159	304	R169	274	R179	249	R189	248	---	---
R140	255	R150	290	R160	248	R170	290	R180	290	R190	296	---	---

RESISTOR

SYMBOL NO.	INDEX NO.	SYMBOL NO.	INDEX NO.	SYMBOL NO.	INDEX NO.	SYMBOL NO.	INDEX NO.	SYMBOL NO.	INDEX NO.	SYMBOL NO.	INDEX NO.	SYMBOL NO.	INDEX NO.
R201	248	R211	249	---	---	R231	315	R241	259	R251	249	R261	259
---	---	R212	250	R222	315	R232	248	R242	242	R252	249	R262	268
R203	258	R213	238	R223	249	R233	248	R243	316	R253	250	R263	275
R204	259	R214	238	---	---	R234	301	R244	315	R254	248	---	---
---	---	---	---	---	---	R235	243	R245	315	R255	259	R265	259
---	---	R216	250	R226	248	R236	315	R246	243	R256	318	R266	249
R207	248	---	---	R227	302	R237	315	R247	315	R257	249	R267	259
R208	285	R218	250	R228	315	R238	249	R248	259	R258	259	R268	249
R209	249	---	---	---	---	R239	259	---	---	R259	274	---	---
R210	247	---	---	R230	315	R240	259	---	---	R260	274	R270	249

27.Controller Board (D017/D018/D019/D020/D084/D085)

RESISTOR

SYMBOL NO.	INDEX NO.	SYMBOL NO.	INDEX NO.	SYMBOL NO.	INDEX NO.	SYMBOL NO.	INDEX NO.	SYMBOL NO.	INDEX NO.	SYMBOL NO.	INDEX NO.	SYMBOL NO.	INDEX NO.
R271	249	---	---	R291	252	R301	249	R311	259	R321	242	R331	242
R272	275	R282	243	R292	242	R302	259	R312	242	R322	247	---	---
R273	274	R283	268	R293	247	R303	259	---	---	R323	259	R333	289
R274	259	R284	249	R294	252	R304	259	R314	249	R324	259	---	---
R275	249	R285	248	R295	249	R305	259	---	---	R325	249	R335	284
R276	268	---	---	---	---	R306	259	---	---	---	---	---	---
R277	249	R287	274	R297	249	R307	249	R317	249	R327	249	R337	242
---	---	R288	274	R298	249	R308	249	R318	263	R328	249	---	---
R279	259	R289	248	---	---	R309	259	R319	242	R329	249	R339	289
---	---	R290	242	---	---	R310	259	R320	242	---	---	---	---

RESISTOR

SYMBOL NO.	INDEX NO.	SYMBOL NO.	INDEX NO.	SYMBOL NO.	INDEX NO.	SYMBOL NO.	INDEX NO.	SYMBOL NO.	INDEX NO.	SYMBOL NO.	INDEX NO.	SYMBOL NO.	INDEX NO.
---	---	---	---	R361	249	R371	257	R381	259	R391	296	R401	298
R342	247	---	---	---	---	R372	289	R382	279	R392	243	R402	243
---	---	---	---	R363	261	R373	259	R383	279	R393	278	R403	298
---	---	---	---	R364	242	R374	259	---	---	R394	283	R404	278
---	---	---	---	R365	242	R375	290	R385	296	R395	305	R405	278
R346	277	---	---	---	---	R376	281	R386	279	R396	305	R406	251
---	---	R357	261	---	---	R377	289	R387	279	R397	243	---	---
R348	298	R358	261	R368	247	R378	289	R388	278	R398	278	R408	243
---	---	R359	290	R369	249	R379	289	R389	305	R399	278	R409	278
---	---	---	---	---	---	R380	289	R390	296	---	---	R410	278

27.Controller Board (D017/D018/D019/D020/D084/D085)

RESISTOR

SYMBOL NO.	INDEX NO.	SYMBOL NO.	INDEX NO.	SYMBOL NO.	INDEX NO.	SYMBOL NO.	INDEX NO.	SYMBOL NO.	INDEX NO.	SYMBOL NO.	INDEX NO.	SYMBOL NO.	INDEX NO.
R411	251	R421	290	---	---	R441	278	R451	248	R461	278	---	---
R412	240	---	---	R432	290	R442	274	R452	259	R462	290	---	---
R413	239	R423	296	R433	278	---	---	R453	305	R463	249	---	---
R414	278	R424	305	R434	290	R444	278	---	---	R464	249	---	---
R415	247	---	---	R435	278	R445	278	---	---	---	---	---	---
---	---	R426	290	R436	260	R446	290	---	---	---	---	---	---
R417	278	R427	305	R437	278	R447	277	R457	248	---	---	R477	278
R418	296	R428	260	R438	282	R448	240	R458	241	R468	278	R478	259
R419	305	R429	274	R439	259	---	---	---	---	R469	259	R479	259
R420	278	R430	274	R440	278	R450	278	R460	278	R470	249	R480	248

RESISTOR

SYMBOL NO.	INDEX NO.	SYMBOL NO.	INDEX NO.	SYMBOL NO.	INDEX NO.	SYMBOL NO.	INDEX NO.	SYMBOL NO.	INDEX NO.	SYMBOL NO.	INDEX NO.	SYMBOL NO.	INDEX NO.
R481	249	R491	287	R501	296	---	---	R521	255	R531	279	R541	290
R482	248	R492	274	R502	296	---	---	---	---	R532	248	R542	290
R483	249	R493	274	---	---	R513	248	R523	248	R533	277	R543	255
R484	277	---	---	R504	249	R514	242	R524	249	R534	277	R544	255
---	---	R495	278	---	---	---	---	---	---	R535	279	R545	248
---	---	R496	296	R506	249	---	---	R526	247	R536	259	R546	290
R487	259	R497	259	---	---	R517	249	R527	255	R537	290	R547	290
R488	278	R498	274	R508	242	R518	296	R528	249	R538	277	R548	255
R489	249	R499	278	R509	278	R519	255	R529	248	R539	259	R549	247
R490	259	R500	279	R510	279	---	---	---	---	R540	290	R550	259

27.Controller Board (D017/D018/D019/D020/D084/D085)

RESISTOR

SYMBOL NO.	INDEX NO.	SYMBOL NO.	INDEX NO.	SYMBOL NO.	INDEX NO.	SYMBOL NO.	INDEX NO.	SYMBOL NO.	INDEX NO.	SYMBOL NO.	INDEX NO.	SYMBOL NO.	INDEX NO.
R551	259	---	---	R571	247	R581	265	R591	261	R601	259	---	---
R552	259	R562	290	R572	260	R582	265	R592	261	R602	289	R612	259
R553	290	R563	259	R573	261	R583	265	R593	249	R603	289	R613	262
R554	259	---	---	---	---	---	---	R594	261	R604	289	R614	262
R555	254	R565	290	---	---	R585	260	R595	244	---	---	---	---
R556	249	R566	252	R576	248	R586	260	R596	246	R606	249	R616	259
---	---	R567	252	R577	248	R587	289	R597	246	---	---	---	---
R558	255	---	---	R578	265	R588	262	---	---	---	---	R618	262
R559	254	R569	249	R579	265	R589	274	R599	245	R609	307	R619	289
R560	254	R570	290	R580	265	---	---	R600	258	---	---	R620	262

RESISTOR

SYMBOL NO.	INDEX NO.	SYMBOL NO.	INDEX NO.	SYMBOL NO.	INDEX NO.	SYMBOL NO.	INDEX NO.	SYMBOL NO.	INDEX NO.	SYMBOL NO.	INDEX NO.	SYMBOL NO.	INDEX NO.
R621	289	R631	249	R641	259	R651	274	R661	259	R671	259	R681	242
R622	248	---	---	R642	261	R652	261	R662	293	R672	259	---	---
R623	248	R633	259	R643	279	---	---	---	---	---	---	R683	243
R624	248	R634	260	R644	264	---	---	R664	261	---	---	R684	243
R625	249	---	---	R645	262	---	---	R665	274	R675	290	---	---
---	---	R636	259	R646	293	R656	249	---	---	R676	290	---	---
---	---	R637	259	R647	289	R657	276	R667	278	R677	277	R687	259
R628	278	R638	259	---	---	---	---	R668	259	R678	249	R688	259
R629	249	---	---	R649	274	---	---	R669	259	R679	290	R689	243
R630	249	R640	259	R650	274	R660	259	R670	259	---	---	R690	243

27.Controller Board (D017/D018/D019/D020/D084/D085)

RESISTOR

SYMBOL NO.	INDEX NO.	SYMBOL NO.	INDEX NO.	SYMBOL NO.	INDEX NO.	SYMBOL NO.	INDEX NO.	SYMBOL NO.	INDEX NO.	SYMBOL NO.	INDEX NO.	SYMBOL NO.	INDEX NO.
R691	243	---	---	R711	255	R721	255	---	---	---	---	R771	293
R692	266	---	---	---	---	R722	255	---	---	---	---	---	---
R693	242	---	---	---	---	---	---	---	---	---	---	---	---
R694	243	R704	271	R714	242	---	---	R734	274	---	---	---	---
R695	242	R705	274	---	---	R725	255	---	---	R765	259	---	---
---	---	---	---	---	---	R726	274	---	---	R766	259	---	---
R697	243	---	---	R717	242	---	---	---	---	---	---	---	---
R698	243	R708	277	---	---	---	---	---	---	---	---	---	---
R699	255	R709	274	---	---	---	---	R739	242	---	---	---	---
R700	242	R710	249	R720	255	---	---	---	---	R770	293	---	---

RN

SYMBOL NO.	INDEX NO.	SYMBOL NO.	INDEX NO.	SYMBOL NO.	INDEX NO.	SYMBOL NO.	INDEX NO.	SYMBOL NO.	INDEX NO.	SYMBOL NO.	INDEX NO.	SYMBOL NO.	INDEX NO.
RN1	173	RN11	234	RN21	173	RN31	230	RN41	233	RN51	174	---	---
RN2	232	RN12	232	RN22	231	RN32	230	RN42	232	RN52	231	RN62	171
RN3	171	RN13	234	RN23	176	RN33	230	RN43	231	RN53	237	---	---
RN4	175	RN14	236	RN24	235	RN34	233	RN44	175	RN54	237	RN64	237
RN5	230	RN15	174	RN25	173	RN35	231	RN45	171	RN55	230	RN65	236
RN6	171	RN16	172	RN26	233	RN36	171	RN46	171	RN56	234	RN66	230
RN7	173	RN17	236	RN27	231	RN37	233	RN47	171	---	---	RN67	237
RN8	235	RN18	232	RN28	173	RN38	233	RN48	231	RN58	171	RN68	177
RN9	235	RN19	235	RN29	233	RN39	171	---	---	---	---	RN69	231
RN10	234	RN20	231	RN30	230	RN40	231	RN50	233	RN60	234	RN70	230

27.Controller Board (D017/D018/D019/D020/D084/D085)

RN

SYMBOL NO.	INDEX NO.
RN71	236
RN72	233
RN73	230
RN74	177
RN75	173
RN76	236
---	---
RN78	236
RN79	231
RN80	230

SYMBOL NO.	INDEX NO.
RN81	176

SW

SYMBOL NO.	INDEX NO.
---	---
SW2	113

27.Controller Board (D017/D018/D019/D020/D084/D085)

Index No.	Part No.	Description	Q'ty Per Assembly
*	D019 5310	Controller Board - 33 MS (D019)	1
*	D020 5310	Controller Board - 33 CS (D020)	1
*	D019 5311	Controller Board - 25 MS (D017)	1
*	D020 5311	Controller Board - 25 CS (D018)	1
*	D085 5310	PCB: Controller: 33 (D085)	1
*	D085 5311	PCB: Controller: 28 (D084)	1

Index No.	Part No.	Description	Q'ty Per Assembly
101	1102 6790	Connector - 100R-LT-N1	
102	1102 7615	Connector - B8B-XH-A	
103	1102 8212	Connector: TX24-50R-10ST-H1E	
104	1102 8329	Connector - USB - UBB-4R-D14C	
105	1103 4234	RHM-176P-SDK11-UH1L1C(LF)(SN)	
106	1102 9336	Connector: FPS009-2300-0	
107	1102 9890	Connector: 5-1605706-2	
108	1102 9956	Connector: UBA-4R-D14T-4D(LF)(SN)	
109	1103 4043	Connector: 87825-1001	
110	1107 1083	Fuse: SST 4	
111	1107 1099	Fuse SST 5	
112	1109 0009	IC - MINISMDC075-02	
113	1204 2791	DIP Switch: DM-04-V	
114	1206 0124	Lithium Cell: CR2032VO4H/Z	
115	1401 1318	FET - HAT2198R	
116	1401 1414	FET: SI3433BDV-E3	
117	1401 1415	FET: SI3434DV-E3	
118	1401 1448	FET: SI3447BDV-E3	
119	1401 1457	FET: TPCP8102	
120	1401 1466	FET: SI4800BDY-E3	
121	1401 1475	FET: SI3867DV-E3	
122	1402 1336	Diode - 1SS355	
123	1402 1365	Diode-RB751V-40	
124	1402 1929	Diode: RB160M-30	
125	1402 2039	Diode: RSX301LA-30	
126	1403 0953	LED - SML-310MT	
127	1403 0978	LED - SML-310DT	
128	1403 1131	LED: SML-311UT	
129	1407 4919	IC - 74VHCT244 TSSOP	
130	1407 5009	CMOS Logic: TC7SET04FU	
131	1407 5010	IC - TC7SET08FU	
132	1407 5190	CMOS Logic: TC7SZ08FU	
133	1407 5192	CMOS Logic: TC7SZ04FU	
134	1407 5300	CMOS Logic - 74LVC16244A TSSOP	
135	1407 5351	IC - SN74LV14APW	

Index No.	Part No.	Description	Q'ty Per Assembly
136	1407 5482	IC - SN74LVC07APW	
137	1407 5520	CMOS Logic: SN74LVC125APW	
138	1407 5523	ROM - I2C SOP 3V	
139	1407 5528	IC - SN74LVC126APW	
140	1407 5604	CMOS Logic: SN74LVC16245ADGG	
141	1407 6145	IC: SN74LVC373APW	
142	1407 6265	Real Time Clock: R2025S	
143	1407 6386	CPU: RM7035C-533L-REV1.1	
144	1407 6400	Clock Generator - ICS960013BFLF	
145	1407 6671	USB Controller: UPD720102GC-YEB-A	
146	1407 6723	Custom IC: Cornet	
147	1104 0821	IC Socket: 16008-B0A0020N	
148	1407 6741	LAN Controller LSI: DP83848JSQ/NOPB	
149	1407 6751	CMOS Logic: HD74LV1GW07ACM	
150	1407 6801	CMOS Logic: TC7PA17FU	
151	1407 6803	CMOS Logic: TC7SZ07FU	
152	1407 6853	CMOS Logic: HD74LV1GW17ACM	
153	1407 6863	Controller: ST19WP18FT28PVG1	
154	1407 6898	CMOS Logic: TC7WH126FK	
155	1407 6899	CMOS Logic: TC7WH125FK	
156	1407 6944	USB Controller IC: ST72681/R21	
157	1407 6951	CMOS Logic: TC7MBL3245SFK	
158	1408 1826	IC - R3112Q421A	
159	1408 2053	IC: R3112Q291A-FA	
160	1408 2062	IC: R3112Q221A-FA	
161	1408 2087	IC: LTC3736EUF#TRPBF	
162	1408 2180	IC - BD3531F	
163	1408 2449	DC/DC Converter: BD9104FVM	
164	1408 2463	DDR Terminator - TPS51116PWP4	
165	1408 2484	IC: LTC3808EDE#PBF	
166	1503 1138	Crystal Oscillator - 48MHz	
167	1503 1355	Crystal Oscillator: 25MHz	
168	1503 1362	Crystal Oscillator: 30MHz	
169	1503 1363	Crystal Oscillator: 12MHz	
170	1503 1379	Crystal Oscillator: 14.31818MHz	

Index No.	Part No.	Description	Q'ty Per Assembly
171	1601 7887	Resistor Array - 10K Ω \pm 5% 1/32W	
172	1601 7896	Resistor Array - 56 Ω \pm 5% 1/32W	
173	1601 7898	Resistor Array	
174	1601 7913	Resistor 22 Ω \pm 5% 1/32W	
175	1601 7914	Resistor Array - 47 Ω \pm 5%	
176	1601 7959	Resistor	
177	1601 7981	Resistor Array - 100K Ω \pm 5% 1/16W	
178	1604 5724	Capacitor: 100 μ F: \pm 20%: 2V	
179	1605 1124	Capacitor - 4.7 μ F+80 -20% 10V	
180	1605 1197	Capacitor - 6pF \pm 0.5pF 50V	
181	1605 1199	Capacitor - 8pF \pm 0.5pF 50V	
182	1605 1200	Capacitor - 10pF \pm 0.5pF 50V	
183	1605 1204	Capacitor-pF50V	
184	1605 1206	Capacitor - 47pF \pm 5% 50V	
185	1605 1207	Capacitor - 68pF \pm 5% 50V	
186	1605 1208	Capacitor: 100pF: \pm 5%: 50V	
187	1605 1211	Capacitor - 220pF \pm 10% 50V	
188	1605 1212	Capacitor - 470pF \pm 10% 50V	
189	1605 1214	Capacitor - 1000pF \pm 10% 50V	
190	1605 1216	Capacitor - 2200pF \pm 10%50V	
191	1605 1218	Capacitor: 4700pF: \pm 10%: 25V	
192	1605 1221	Capacitor - 0.1 μ F+80-20%16V	
193	1605 1240	Capacitor - 0.01 μ F \pm 10% 25V	
194	1605 1284	Capacitor: 1500pF: \pm 10%: 50V	
195	1605 1289	Capacitor - 0.1 μ F \pm 10% 10V	
196	1605 1291	Capacitor: 2.2 μ F: \pm 10%: 10V	
197	1605 1293	Capacitor - 27pF \pm 5%50V	
198	1605 1295	Capacitor: 10 μ F: +80-20%: 10V	
199	1605 1296	Capacitor - 330pF \pm 10% 50V	
200	1605 1301	Capacitor-6800pF \pm 10% 50V	
201	1605 1306	Capacitor - 1 μ F \pm 10% 10V	
202	1605 1307	Capacitor - 2.2 μ F+80-20% 11V	
203	1605 1358	Capacitor - 10 μ F \pm 10% 10V	
204	1605 1376	Capacitor - 0.033 μ F- \pm 10%: 25V	
205	1605 1406	Capacitor - 10 μ F \pm 10% 6.3V	

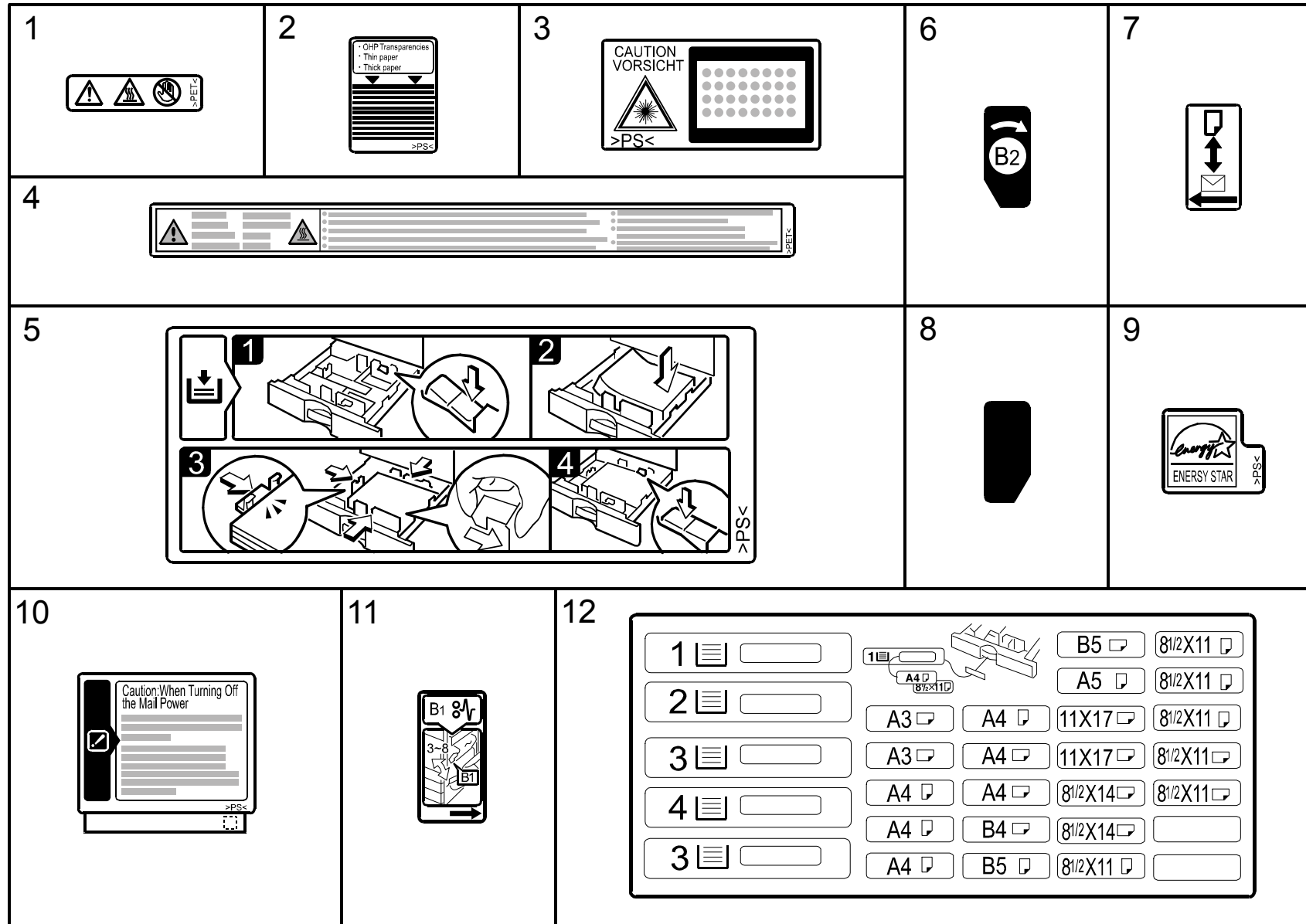
Index No.	Part No.	Description	Q'ty Per Assembly
206	1605 1451	Capacitor: 0.47 μ F: \pm 10%: 6.3V	
207	1605 1452	Capacitor - 1 μ F \pm 10% 6.3V	
208	1605 1474	Capacitor - 47 μ F \pm 20% 6.3V	
209	1605 1475	Resistor - 1 μ F \pm 10% 16V	
210	1605 1544	Resistor - 330pF \pm 5% 50V	
211	1605 1563	Capacitor: 10 μ F: \pm 10%: 10V	
212	1605 1583	Capacitor - 0.1 μ F: \pm 10%: 16V	
213	1605 1587	Capacitor: 22 μ F: \pm 20%: 6.3V	
214	1605 1602	Capacitor: 3.3 μ F: \pm 10%: 6.3V	
215	1605 1605	Capacitor - 4.7 μ F \pm 10% 10V	
216	1605 1607	Capacitor: 22 μ F: +80-20%: 6.3V	
217	1605 1689	Capacitor: 100 μ F: \pm 20%: 6.3V	
218	1606 2319	Capacitor: 100 μ F: \pm 20%: 6.3V	
219	1607 1014	EMI Filter - BLM11P600SPB	
220	1607 1051	Filter - FBMJ2125HS420	
221	1607 1061	Filter - BLM11P300SPB	
222	1607 1199	Filter - BLM21PG600SN1B	
223	1607 1477	Inductor - RLF7030-4R7M3R4	
224	1607 1556	Inductor: RLF7030-1R5N6R1	
225	1607 1567	Filter: MPZ2012S101A	
226	1607 1572	Filter: MPZ1608S101A	
227	1607 1637	Coil: ACM2012-900-2P	
228	1607 1827	Inductor: RLF7030-2R2M5R4	
229	1607 1946	Inductor: VLF10040-2R2N7R1	
230	1609 0005	Resistor: 33 Ω : \pm 5%: 1/16W	
231	1609 0006	Resistor: 10K Ω : \pm 5%: 1/16W	
232	1609 0007	Resistor - 68 Ω \pm 5% 1/16W	
233	1609 0011	Resistor: 22 Ω : \pm 5%: 1/16W	
234	1609 0016	Resistor: 56 Ω : \pm 5%: 1/16W	
235	1609 0020	Resistor: 10 Ω : \pm 5%: 1/16W	
236	1609 0026	Resistor - 47 Ω \pm 5% 1/16W	
237	1609 0027	Resistor - 100K Ω \pm 5% 1/16W	
238	1610 1900	Resistor: 56K Ω : \pm 0.5%: 1/16W 1005	
239	1610 2045	Resistor: 115K Ω : \pm 0.1%: 1/10W: 2125	
240	1610 2046	Resistor: 25.5K Ω : \pm 0.1%: 1/10W: 2125	

Index No.	Part No.	Description	Q'ty Per Assembly
241	1610 2047	Resistor: 30.1K Ω : \pm 0.1%: 1/10W: 2125	
242	1633 0000	Resistor - 0 Ω 1/10W	
243	1634 0000	Resistor - 0 Ω 1/16W	
244	1650 4101	Resistor - 100 Ω \pm 5%1/10W	
245	1650 4470	Resistor - 47 Ω \pm 5%1/10W	
246	1650 4472	Resistor - 4.7K Ω \pm 5% 1/10W	
247	1650 5101	Chip Resistor - 100 Ω \pm 5%1/16W	
248	1650 5102	Chip Resistor - 1K Ω \pm 5%1/16W	
249	1650 5103	Chip Resistor - 10K Ω \pm 5%1/16W	
250	1650 5104	Chip Resistor - 100K Ω \pm 5%1/16W	
251	1650 5109	Chip Resistor 1 Ω \pm 5% 1/16W	
252	1650 5122	Chip Resistor - 1.2K Ω \pm 5%1/16W	
253	1650 5152	Chip Resistor: 1.5K Ω : \pm 5%: 1/16W	
254	1650 5203	Resistor - 20K Ω \pm 5% 1/16W	
255	1650 5220	Resistor - 22 Ω \pm 5% 1/16W	
256	1650 5221	Chip Resistor - 220 Ω \pm 5%1/16W	
257	1650 5222	Resistor - 2.2K Ω \pm 5% 1/16W	
258	1650 5272	Chip Resistor: 2.7K Ω : \pm 5%: 1/16W	
259	1650 5330	Chip Resistor - 33 Ω \pm 5%1/16W	
260	1650 5470	Chip Resistor 47 Ω \pm 5% 1/16W	
261	1650 5472	Chip Resistor: 4.7K Ω : \pm 5%: 1/16W	
262	1650 5560	Chip Resistor 56 Ω \pm 5% 1/16W	
263	1650 5621	Chip Resistor 620 Ω \pm 5% 1/16W	
264	1650 5683	Chip Resistor 68K Ω \pm 5% 1/16W	
265	1650 5822	Chip Resistor: 8.2K Ω : \pm 5%: 1/16W	
266	1654 1002	Resistor - 10K Ω \pm 5%1/10W	
267	1654 1004	Chip Resistor - 1M Ω \pm 1% 1/10W	
268	1654 1009	Resistor - 10 Ω \pm 1% 1/10W	
269	1654 1502	Resistor - 15K Ω \pm 1% 1/10W	
270	1654 1509	Chip Resistor: 15 Ω : \pm 1%: 1/10W	
271	1654 2200	Resistor: 220 Ω : \pm 1%: 1/10W: 1608	
272	1654 3002	Resistor - 30K Ω \pm 1%1/10W	
273	1654 6800	Resistor - 680 Ω \pm 1% 1/10W	
274	1655 0000	Chip Resistor - 0 Ω \pm 0%1/16W	
275	1655 1000	Chip Resistor: 100 Ω : \pm 1%: 1/16W	

Index No.	Part No.	Description	Q'ty Per Assembly
276	1655 1001	Chip Resistor - 1K Ω \pm 1% 1/16W	
277	1655 1002	Chip Resistor - 10K Ω \pm 1% 1/16W	
278	1655 1003	Chip Resistor - 100K Ω \pm 1% 1/16W	
279	1655 1009	Resistor - 10 Ω \pm 1% 1/16W	
280	1655 1109	Resistor: 11 Ω : \pm 1%: 1/16W: 1005	
281	1655 1132	Resistor: 11.3K Ω : \pm 1%: 1/16W: 1005	
282	1655 1200	Resistor - 120 Ω \pm 1% 1/16W	
283	1655 1242	Resistor: 12.4K Ω : \pm 1%: 1/16W: 1005	
284	1655 1501	Chip Resistor 1.5K Ω \pm 1% 1/16W	
285	1655 1502	Resistor - 15K Ω \pm 1% 1/16W	
286	1655 1601	Resistor: 1.6K Ω : \pm 1%: 1/16W: 1005	
287	1655 1651	Resistor: 1.65K Ω : \pm 1%: 1/16W: 1005	
288	1655 2200	Resistor - 220 Ω \pm 1% 1/16W	
289	1655 2201	Resistor: 2.2K Ω : \pm 1%: 1/16W: 1005	
290	1655 2209	Resistor - 22 Ω \pm 1% 1/16W	
291	1655 2552	Resistor: 25.5K Ω : \pm 1%: 1/16W: 1005	
292	1655 3012	Resistor: 30.1K Ω : \pm 1%: 1/16W: 1005	
293	1655 3309	Resistor - 33 Ω \pm 1% 1/16W	
294	1655 3909	Resistor 39 Ω \pm 1% 1/16W	
295	1655 4700	Resistor - 470 Ω \pm 1% 1/16W	
296	1655 4701	Chip Resistor - 4.7K Ω \pm 1% 1/16W	
297	1655 4702	Chip Resistor: 47K Ω : \pm 1%: 1/16W: 1005	
298	1655 4709	Resistor - 47 Ω \pm 1% 1/16W	
299	1655 4871	Resistor: 4.87K Ω : \pm 1%: 1/16W: 1005	
300	1655 4999	Resistor - 49.9 Ω \pm 1% 1/16W	
301	1655 5102	Resistor: 51K Ω : \pm 1%: 1/16W: 1005	
302	1655 5103	Resistor: 510K Ω : \pm 1%: 1/16W: 1005	
303	1655 5600	Resistor - 560 Ω \pm 1% 1/16W	
304	1655 5601	Resistor - 5.6K Ω \pm 1% 1/16W	
305	1655 5609	Resistor - 56 Ω \pm 1% 1/16W	
306	1655 6809	Chip Resistor - 68 Ω \pm 1% 1/16W	
307	1655 9101	Resistor - 9.1K Ω \pm 1% 1/16W	
308	1660 2101	Capacitor - 100pF - \pm 10% - 50V	
309	1660 2471	Capacitor - 470pF - \pm 5% - 50V	
310	1660 4103	Capacitor - 10000pF - \pm 10% - 50V	

Index No.	Part No.	Description	Q'ty Per Assembly
311	1660 8104	Capacitor - 0.1 μ F+80-20% 25V	
312	1906 0117	Flash Memory: S29GL032A90TFIR20	
313	1907 0077	DDR512M: 8Mx16x4: 333MHZ: CL2.5G3	
314	1605 1681	Capacitor: 22 μ F: \pm 20%: 10V	
315	1654 2209	Resistor - 22 Ω \pm 1% 1/10W	
316	1654 3309	Resistor - 33 Ω \pm 1% 1/10W	
317	1906 0120	NAND Flash: 1G: x8: 30NS: 3.3V: 2KB	
318	1654 1809	Resistor: 18 Ω : \pm 1%: 1/10W: 1608	

28. Decal And Document (D017/D018/D019/D020/D084/D085)



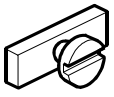
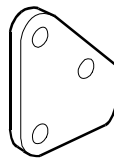
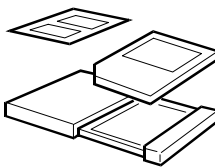
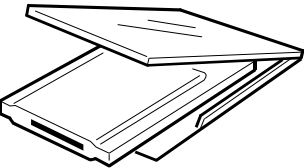
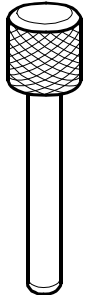
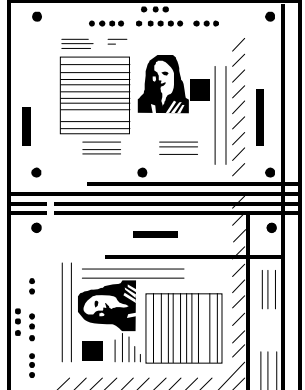
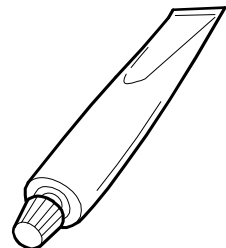
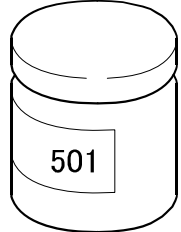

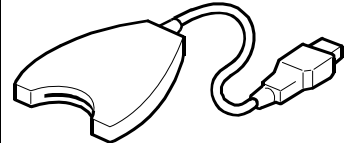
28.Decal And Document (D017/D018/D019/D020/D084/D085)

Rev. 4/14/2011

Index No.	Part No.	Description	Q'ty Per Assembly
1	GA00 0058	Decal Warning (High Temperature)	1
2	B027 7352	Decal - Side Fence	1
3	G029 1980	Decal - LD	1
4	D019 4183	Decal: Warning (High Temperature): C	1
5	D019 2892	Decal: Paper Set Direction	1
6	D019 4181	Decal: Grip: Guide Plate: Fusing Exit	1
7	D019 4182	Decal: Exchange Indication: Envelope	1
8	D019 4184	Decal: Grip: Guide Plate: Fusing Exit	1
9	AA00 1477	Decal: Energy-Star	1
10	B132 1573	Decal - Power Source: Off	1
10	B132 1572	Decal: Power Source: Off: DOM	1
11	B238 2524	Decal - Paper Size	1
12	D019 2920	Decal: Operating: B1 Lever	1

Index No.	Part No.	Description	Q'ty Per Assembly

29.Special Tools (D017/D018/D019/D020/D084/D085)

<p>1</p> 	<p>2</p> 	<p>3</p> 	<p>4</p> 	<p>5</p> 
<p>6</p> 		<p>8</p> 	<p>9</p> 	<p>10</p> 
				<p>11</p> 

29.Special Tools (D017/D018/D019/D020/D084/D085)

Index No.	Part No.	Description	Q'ty Per Assembly
1	A230 9003	Adjusting Cam - Laser Unit	1
2	A267 9002	Positioning Pin - Laser Unit	1
3	B645 5010	SD-Card: Ass'y	1
4	B645 6705	SD-Card: Adapter: BN-SDAA2	1
5	A006 9104	Adjusting Scanner Pin (4PCS/SET)	1
6	A292 9500	Test Chart - S5S (10 PCS/SET)	1
7	Deleted		
8	A257 9300	Grease Barrierta S552R	1
9	5203 9501	Grease 501	1
10	B121 9640	Developer Type 28 Black	1
11	B645 6820	SD-Card: USB: Writer: BN-SDCGTY	1

Index No.	Part No.	Description	Q'ty Per Assembly

D017/D018/D019/D020/D084/D085
PARTS INDEX

This section shows you the part numbers and descriptions used on this machine.

PM Parts Index

Section Name	Part No.	Description in Service Manual	Description in Parts Catalog	Q'ty Per Assembly	Page and Index No.
Paper Tray (D017/D018/D019/D020/D084/D085)	D010 2822	Friction Pad	Friction Pad	1	23 - 17
1st Paper Feed Section (D017/D018/D019/D020/D084/D085)	A267 2751	Paper Feed Roller	Paper Feed Roller	1	25 - 8
2nd Paper Feed Section (D017/D018/D019/D020/D084/D085)	A267 2751	Paper Feed Roller	Paper Feed Roller	1	27 - 8
PCU Section (D017/D018/D019/D020/D084/D085)	B039 2335	Pick-off Pawls	Pickoff Pawl	2	35 - 1
PCU Section (D017/D018/D019/D020/D084/D085)	AD04 1114	Cleaning Blade	Blade:Cleaning	1	35 - 2
PCU Section (D017/D018/D019/D020/D084/D085)	AD02 7018	Charge Roller	Roller:Charge:A3	1	35 - 4
PCU Section (D017/D018/D019/D020/D084/D085)	AD04 2058	Cleaning Roller	Charge Cleaner Brush Roller	1	35 - 5
PCU Section (D017/D018/D019/D020/D084/D085)	B039 9510	OPC Drum	OPC Drum	1	35 - 13
PCU Section (D017/D018/D019/D020/D084/D085)	B121 9640	Developer	Developer Type 28 Black	1	35 - 22
Transfer Unit (D017/D018/D019/D020/D084/D085)	B209 3831	Transfer/Separation Unit	Separation Unit:Ass'y	1	37 - 23
Fusing Unit 1 (D017/D018/D019/D020/D084/D085)	AE04 4025	Hot Roller Stripper	Hot Roller Stripper	5	39 - 7
Fusing Unit 1 (D017/D018/D019/D020/D084/D085)	AE02 0161	Pressure Roller	Pressure Roller - MM25	1	39 - 15
Fusing Unit 2 (D017/D018/D019/D020/D084/D085)	AE01 1103	Hot Roller	Hot Roller:MM40:T0.4	1	41 - 23
Fusing Unit 2 (D017/D018/D019/D020/D084/D085)	AW10 0053	Thermistor - Rear	Thermistor - Rear	2	41 - 29
Special Tools (D017/D018/D019/D020/D084/D085)	B121 9640	Developer	Developer Type 28 Black	1	87 - 10

Parts Index

Part No.	Description	Page and Index No.
D017 8600	Model Name Plate: RIC: 2550B	9 - 4
D017 8601	Model Name Plate: SVN: 9025B	9 - 4
D017 8602	Model Name Plate: LAN: LD425B	9 - 4
D017 8603	Model Name Plate: LAN: 2550B	9 - 4
D017 8604	Model Name Plate: NSA: 2550B	9 - 4
D017 8605	Model Name Plate: REX: 2550B	9 - 4
D017 8606	Model Name Plate: GES: 2550B: EU	9 - 4
D017 8607	Model Name Plate: GES: 2550B	9 - 4
D017 8608	Model Name Plate: INF: 2550B	9 - 4
D017 8609	Model Name Plate: RIC: 2591	9 - 4
D017 8610	Model Name Plate: GES: 2591	9 - 4
D018 8600	Model Name Plate: RIC: 2550	9 - 4
D018 8601	Model Name Plate: SVN: 9025	9 - 4
D018 8602	Model Name Plate: LAN: LD425	9 - 4
D018 8603	Model Name Plate: LAN: 2550	9 - 4
D018 8604	Model Name Plate: NSA: 2550	9 - 4
D018 8605	Model Name Plate: REX: 2550	9 - 4
D018 8606	Model Name Plate: GES: 2550: EU	9 - 4
D018 8607	Model Name Plate: GES: 2550	9 - 4
D018 8608	Model Name Plate: INF: 2550	9 - 4
D019 1054	Guide Plate: Toner Supply Unit: Ass'y	33 - 13
D019 1058	Bracket: Stopper	43 - 19
D019 1059	Guide: Stopper	43 - 20
D019 1075	Sponge Side Plate Rear (D018/D020)	57 - 24
D019 1077	Bracket: Scanning: Rear Left	11 - 22
D019 1078	Support Frame - Right Front	57 - 18
D019 1079	Support Frame - Right Rear	57 - 20
D019 1080	X/O MB18	57 - 19
D019 1081	Scanner Stay - Right Lower	57 - 19
D019 1083	Guide Plate: Lengthwise: Left Rear	57 - 22
D019 1086	Seal Arm Scanner	57 - 25
D019 1087	Bracket: Scanning: Front Left	11 - 23
D019 1088	Hinge - Front Door	57 - 7
D019 1091	Bracket - PCU	57 - 15
D019 1093	Arm - Scanner	57 - 23

Part No.	Description	Page and Index No.
D019 1095	Bracket: Scanning: Front Right	11 - 24
D019 1098	Bracket: Scanning: Rear Right	11 - 25
D019 1099	Guide Plate: Scanner: Packing	9 - 21
D019 1106	Guide Plate: Duct: Exhaust: C	57 - 2
D019 1129	Brushless Motor-DC 30W	45 - 23
D019 1184	Fly Wheel - 118.5MM	45 - 22
D019 1186	X/O MB5	31 - 23
D019 1187	O/O (200903 PCIL)	31 - 23
D019 1188	Magnetic Clutch: 0.5N M: Z35	31 - 23
D019 1254	Left Scanner Cover - NA	11 - 16
D019 1255	Upper Scanner Cover - Rear NA	11 - 19
D019 1256	Upper Scanner Cover - Front NA	11 - 18
D019 1257	Cover: Scanner: Front Upper: NA	11 - 17
D019 1261	Front Door - NA	9 - 6
D019 1266	Front Door - EU	9 - 6
D019 1268	Sheet: Operation Instructions	9 - 15
D019 1277	Right Cover - NA	11 - 9
D019 1278	Right Rear Cover - NA	11 - 7
D019 1279	Right Front Cover - NA	11 - 6
D019 1282	Cover: Left Rear: MONO	11 - 2
D019 1283	Left Upper Cover - NA	11 - 1
D019 1284	Left Cover - NA	11 - 3
D019 1285	Left Rear - NA	11 - 2
D019 1294	Rear Cover	11 - 14
D019 1295	Right Rear Cover - Lower Only NA	11 - 21
D019 1296	Cover: Paper Feed Sub-Unit: Rear	11 - 20
D019 1296	Right Rear Cover	11 - 12
D019 1307	Rear Cover - Paper Exit NA	11 - 4
D019 1308	Upper Cover - Paper Exit NA	9 - 17
D019 1321	Cover: Front: Right Upper: NA	9 - 26
D019 1322	Front Cover - Right Upper EU	9 - 26
D019 1326	Front Cover - Right Upper NA	9 - 19
D019 1327	Rear Exit Cover - EU	11 - 4
D019 1328	Upper Exit Cover - EU	9 - 17
D019 1329	Front Cover - Right Upper EU	9 - 19

Part No.	Description	Page and Index No.
D019 1330	Front Cover	9 - 14
D019 1343	Exit Cover	9 - 10
D019 1346	Lower Cover - Paper Exit	11 - 5
D019 1347	Lower Exit Cover - EU	11 - 5
D019 1348	Support Tray - Paper Exit	9 - 9
D019 1349	End Fence - Paper	9 - 8
D019 1350	Left Scanner Cover - EU	11 - 16
D019 1351	Rear Scanner Cover - EU	11 - 19
D019 1352	Right Scanner Cover - EU	11 - 18
D019 1353	Front Scanner Cover - EU	11 - 17
D019 1354	Right Cover - EU	11 - 9
D019 1355	Right Rear Cover - EU	11 - 7
D019 1356	Right Front Cover - EU	11 - 6
D019 1357	Left Upper Cover - EU	11 - 1
D019 1358	Left Cover - EU	11 - 3
D019 1359	Left Rear Cover - EU	11 - 2
D019 1361	Exit Cover EU	9 - 10
D019 1365	CAP: 38x77	11 - 13
D019 1371	Connector Cap - Vertical Transport	11 - 8
D019 1376	Cap - Paper Feed Table NA	11 - 15
D019 1378	Cap - Paper Feed Table EU	11 - 15
D019 1379	Cover: Left Rear: EU: Color	11 - 2
D019 1390	Rear Cover - EU	11 - 14
D019 1391	Right Rear Cover - Lower Only EU	11 - 21
D019 1393	Cover: Paper Feed Sub-Unit: Rear: EU	11 - 20
D019 1393	Right Rear Cover - Lower EU	11 - 12
D019 1411	Operation Panel - NA	13 - *
D019 1412	Operation Panel - EU	13 - *
D019 1413	Operation Panel - TWN/AA	13 - *
D019 1461	LCDC Board - NA	13 - 9
D019 1462	LCDC Board - EU	13 - 9
D019 1463	LCDC Board - TWN/AA	13 - 9
D019 1502	Lower Cover - Operation Panel	13 - 12
D019 1505	Bracket - LCDC Board	13 - 7
D019 1520	Seal Operation Sub Unit: A	13 - 33

Part No.	Description	Page and Index No.
D019 1521	Seal Operation Sub Unit: B	13 - 34
D019 1522	Cushion Operation Sub Unit: Front	13 - 32
D019 1689	2nd Scanner Ass'y (MS model)	19 - 1
D019 1698	MB6	17 - 11
D019 1703	Lens Unit	17 - 11
D019 1704	Bracket: Tension (CS model)	19 - 15
D019 1713	Scale: Left: B: NA: Ass'y	15 - 4
D019 1723	Scale: Left: B: Ass'y	15 - 4
D019 1751	Rear Scale	15 - 5
D019 1753	Harness Cover	17 - 13
D019 1785	Frame: Rear (MS models)	15 - 16
D019 1788	Bracket - Scanner Drive Motor	19 - 10
D019 1789	Cover: Sensor: AKS	15 - 19
D019 1801	Scale: Left: A	15 - 1
D019 1803	Bracket: Document Feeder	15 - 15
D019 1817	1st Scanner Ass'y	17 - 1
D019 1823	Inner Cover - Scanner (MS model)	17 - 8
D019 1827	Bracket: Original Sensor	17 - 10
D019 1830	Xenon Lamp: Monochrome	17 - 2
D019 1900	Imaging Unit	21 - *
D019 1919	Laser Diode Unit	21 - 14
D019 2538	1st Paper Tray Ass'y	23 - *
D019 2539	2nd Paper Tray Ass'y	23 - *
D019 2562	Right Front Grip	57 - 16
D019 2564	Left Grip	57 - 10
D019 2565	Left Grip Cover	57 - 9
D019 2566	Right Front Grip	57 - 16
D019 2567	Cover - Right Front Grip	57 - 17
D019 2576	Grip Bracket - Rear Left	57 - 21
D019 2587	Bracket - Guide Plate No.2	27 - 17
D019 2593	Cover: Positioning Pin: Middle	49 - 27
D019 2596	Cover: Drive: Paper Feed: Right	47 - 16
D019 2598	Heater: NA: Ass'y	27 - 19
D019 2599	Heater: EU: Ass'y	27 - 19
D019 2616	O/O (200903 PCIL)	47 - 13

Part No.	Description	Page and Index No.
D019 2617	O/O (200903 PCIL)	47 - 14
D019 2656	Guide Plate - Upper	37 - 21
D019 2682	Upper Drive Roller	25 - 14
D019 2690	Left Guide Plate - Registration	31 - 10
D019 2692	Left Guide Plate - Registration	31 - 15
D019 2694	Right Guide Plate - Registration	31 - 16
D019 2699	Left Guide Plate 2 - Registration	31 - 14
D019 2703	Rear Lever - Transfer	29 - 7
D019 2704	Front Lever - Transfer	29 - 9
D019 2705	Rear Lever - Fusing	29 - 8
D019 2706	Front Lever - Transfer	29 - 10
D019 2707	Guide Plate: Exit: Vertical Transport	29 - 6
D019 2710	Frame - Vertical Transport	29 - 11
D019 2716	Bracket: Manual Feed	29 - 18
D019 2720	Registration Roller - Drive	31 - 3
D019 2722	Release Pawl - Rear	29 - 12
D019 2723	Release Grip	29 - 16
D019 2724	Tension Spring	29 - 25
D019 2725	Bracket: UN Lock	29 - 15
D019 2727	Stepped Screw - M4	29 - 14
D019 2728	Release Pawl - Front	29 - 17
D019 2731	Guide Plate - Vertical Transport	29 - 4
D019 2734	Spring - Transport	29 - 2
D019 2736	Bushing - Vertical Transport	29 - 1
D019 2737	Driven Roller - Vertical Transport	29 - 5
D019 2755	Cleaner-registration	31 - 1
D019 2757	Cleaner Bracket - Registration	31 - 7
D019 2761	Link - Vertical Transport	29 - 19
D019 2764	Screw: DIA5: Hinge	29 - 24
D019 2775	Guide Plate - Lower	37 - 22
D019 2776	Lever: DC Motor: Ass'y	49 - 19
D019 2795	Side Fence Bracket	49 - 26
D019 2804	Guide Plate - Paper Feed Roller 1	25 - 7
D019 2807	Stopper - Paper Feed Roller	25 - 5
D019 2816	Magnetic Clutch: 0.35N M: Z50	47 - 13

Part No.	Description	Page and Index No.
D019 2820	Registration Roller - Driven	31 - 6
D019 2822	Knob - Registration Roller	31 - 4
D019 2823	Bushing - Driven Roller	31 - 22
D019 2826	Front Bracket - Registration Guide	31 - 8
D019 2827	Rear Bracket - Registration Guide	31 - 9
D019 2829	Spring - Driven Registration	31 - 21
D019 2841	Upper Cover - Vertical Transport	29 - 21
D019 2842	Middle Cover - Vertical Transport	29 - 22
D019 2843	Lower Cover - Vertical Transport	29 - 23
D019 2846	Link: Damper: Ass'y	27 - 13
D019 2849	Shutter - Photointerruptor	49 - 22
D019 2860	Shaft: DC Motor: Ass'y	49 - 18
D019 2892	Decal: Paper Set Direction	23 - 29
D019 2892	Decal: Paper Set Direction	85 - 5
D019 2920	Decal: Operating: B1 Lever	31 - 24
D019 2920	Decal: Operating: B1 Lever	85 - 12
D019 3461	Charge Receptacle	45 - 21
D019 3501	Toner Supply Unit	33 - 1
D019 3812	Cleaner: Registration: Driven	37 - 4
D019 3821	Cover Ass'y - Transfer/Separation	37 - 25
D019 3855	Cover: Transfer/Separation Unit: C5	37 - 10
D019 3859	Compression Spring	37 - 14
D019 3866	Pressure Cover - Transfer Unit	37 - 15
D019 3867	Roller - Transfer Unit	37 - 16
D019 3901	ID Sensor	37 - 18
D019 3908	Cover - Density Sensor Harness	37 - 20
D019 3931	Lever: Shutter	37 - 13
D019 3941	Band - Vertical Transport Cover	37 - 12
D019 3950	Receptacle - Transfer/Separation	45 - 16
D019 4001	Fusing Unit - 120V	39 - *
D019 4002	Fusing Unit - 230V	39 - *
D019 4003	Fusing Unit - TWN	39 - *
D019 4032	Upper Frame - Fusing Unit	39 - 1
D019 4072	Lower Frame - Fusing Unit	41 - 27
D019 4080	Sheet: Thermostat	41 - 35

Part No.	Description	Page and Index No.
D019 4101	Bracket - Stripper Pawls	39 - 4
D019 4111	Shaft - Pressure Lever	41 - 13
D019 4112	Grip - Pressure Change	41 - 4
D019 4114	Tension Spring - Pressure	39 - 5
D019 4116	Front Lever - Pressure Roller	41 - 5
D019 4117	Rear Lever - Pressure Roller	41 - 33
D019 4121	Front Side Plate - Fusing	41 - 6
D019 4125	Rear Side Plate - Fusing	41 - 24
D019 4156	Guide Plate: Fusing: Upper	39 - 24
D019 4158	Spring: Open And Close: Guide	39 - 23
D019 4161	Knob Screw: Fix: Fusing	39 - 18
D019 4166	End Ring: Spring: DIA4	41 - 9
D019 4169	Seal: Fusing Cover	41 - 36
D019 4171	Lever: Pressure Release: Front: Ass'y	41 - 8
D019 4181	Decal: Grip: Guide Plate: Fusing Exit	85 - 6
D019 4181	Decal: Grip: Guide Plate: Fusing Exit	39 - 25
D019 4182	Decal: Exchange Indication: Envelope	41 - 34
D019 4182	Decal: Exchange Indication: Envelope	85 - 7
D019 4183	Decal: Warning (High Temperature): C	41 - 25
D019 4183	Decal: Warning (High Temperature): C	85 - 4
D019 4184	Decal: Grip: Guide Plate: Fusing Exit	85 - 8
D019 4184	Decal: Grip: Guide Plate: Fusing Exit	39 - 26
D019 4191	Lever: Pressure Release: Rear: Ass'y	41 - 12
D019 4194	Roller: Lever: Pressure	41 - 10
D019 4197	Lever: Lock: Pressure	41 - 7
D019 4452	Stay - Exit Unit	43 - 18
D019 4454	Guide Plate - Exit	43 - 15
D019 4792	Screw: Drawer	41 - 11
D019 5051	X/O MB17	55 - 16
D019 5051	X/O MB17	65 - *
D019 5052	X/O MB17	65 - *
D019 5052	X/O MB17	55 - 16
D019 5055	BCU Board - 33 (D019/D020)	55 - 16
D019 5055	BCU Board - 33	65 - *
D019 5056	BCU Board - 25 (D017/D018)	55 - 16

Part No.	Description	Page and Index No.
D019 5056	BCU Board - 25	65 - *
D019 5110	SIO Board (MS model)	53 - 1
D019 5130	SIU Board	51 - 2
D019 5152	PCB: Image Processing Unit	51 - 5
D019 5200	Harness - ADF	53 - 9
D019 5200	Harness - ADF	55 - 2
D019 5201	Harness: Regist Sensor	55 - 26
D019 5202	Harness - Main Motor	55 - 7
D019 5203	Harness - New Parts Sensor	33 - 15
D019 5204	Door Switch Harness	55 - 8
D019 5205	Harness - Quenching Lamp	55 - 5
D019 5206	Harness - Paper Exit	55 - 1
D019 5207	Harness - Paper Feed Sensor	43 - 13
D019 5209	Harness - Paper Feed Clutch	55 - 14
D019 5210	FFC Harness 1 - IPU	51 - 9
D019 5212	Harness - Power Supply Unit	55 - 22
D019 5213	AC Harness - Heater	55 - 21
D019 5215	Interface Harness - Paper End	27 - 3
D019 5215	Interface Harness - Paper End	25 - 3
D019 5217	Harness - Power Pack	55 - 4
D019 5217	Harness - Power Pack	53 - 7
D019 5218	Harness - High Voltage B: R-C	45 - 24
D019 5221	FFC Harness 2 - IPU	51 - 8
D019 5222	Harness - Sync Detector	21 - 10
D019 5223	Harness - Laser Diode	51 - 6
D019 5224	Harness - Polygon Mirror Motor	21 - 7
D019 5226	Harness - OPU MS	51 - 7
D019 5229	AC Harness - Main Switch	55 - 18
D019 5230	Harness - APS MS	17 - 16
D019 5231	Harness - Paper Size Sensor	55 - 12
D019 5232	Harness - Paper Feed Motor	55 - 9
D019 5233	Harness - 1st Paper Feed	55 - 10
D019 5234	Harness - 2nd Paper Feed	55 - 11
D019 5236	Interface Harness - Density Sensor	37 - 19
D019 5237	Interface Harness - Regist Sensor	31 - 13

Part No.	Description	Page and Index No.
D019 5239	Harness - IPU Power Source	55 - 13
D019 5241	Harness - Interface Unit	55 - 17
D019 5244	Harness: Bypass: Duplex	55 - 6
D019 5245	Harness - SBU MS	51 - 1
D019 5245	Harness - SBU MS	17 - 14
D019 5248	Harness - BCU-SIO	53 - 3
D019 5249	Harness - Scanner Motor	19 - 8
D019 5250	Harness - Home Position Sensor	55 - 3
D019 5250	Harness - Home Position Sensor	15 - 10
D019 5252	Harness - Exposure Lamp MS	17 - 15
D019 5254	Harness - SBU Power MS (MS model)	53 - 2
D019 5271	Fusing AC Harness - 120V	45 - 18
D019 5272	Fusing AC Harness - 230V	45 - 18
D019 5274	Drawer: Fusing: 120V	39 - 8
D019 5275	Drawer: Fusing: 230V	39 - 8
D019 5310	Controller Board - 33 MS (D019)	51 - 12
D019 5310	Controller Board - 33 MS	81 - *
D019 5311	Controller Board - 25 MS	81 - *
D019 5311	Controller Board - 25 MS (D017)	51 - 12
D019 5615	Power Supply: Cord: Stopper: NA: Ass'y	55 - 23
D019 5631	Power Supply Cord: Stopper: EU	55 - 23
D019 5691	Power Supply Cord: Stopper: CHN	55 - 23
D019 5824	Harness Bracket	47 - 1
D019 5826	Connector Bracket - Manual Feed	47 - 18
D019 5828	Grip - Rear Right	47 - 17
D019 5831	Bracket - Power Supply Cord	55 - 24
D019 5834	Bracket - Grip	47 - 19
D019 5838	Bracket - IOB	55 - 15
D019 5839	Upper Stand - IOB	53 - 8
D019 5840	Lower Stand - IOB	53 - 10
D019 5849	Gasket	15 - 13
D019 5850	Bracket - IPU	51 - 4
D019 5853	Cover - IPU FFC	51 - 10
D019 5856	Application Rack - Upper	53 - 13
D019 5859	Bracket 2 - Control Board	51 - 11

Part No.	Description	Page and Index No.
D019 5860	Application Rack - Lower	53 - 12
D019 5868	Bracket - Control Board	51 - 17
D019 5871	SIU Bracket	51 - 3
D019 5875	Shading Plate - Controller	53 - 11
D019 5890	Panel - Fax	51 - 16
D019 5899	Thermally Conductive Sheet	51 - 27
D019 8464	Heater: Scanner: NA: Ass'y	19 - 22
D019 8466	Heater: Scanner: EU: Ass'y	19 - 22
D019 8600	Model Name Plate: RIC: 3350B	9 - 4
D019 8601	Model Name Plate: SVN: 9033B	9 - 4
D019 8602	Model Name Plate: LAN: LD433B	9 - 4
D019 8603	Model Name Plate: LAN: 3350B	9 - 4
D019 8604	Model Name Plate: NSA: 3350B	9 - 4
D019 8605	Model Name Plate: REX: 3350B	9 - 4
D019 8606	Model Name Plate: GES: 3350B: EU	9 - 4
D019 8607	Model Name Plate: GES: 3350B	9 - 4
D019 8608	Model Name Plate: INF: 3350B	9 - 4
D019 8609	Model Name Plate: RIC: 3391	9 - 4
D019 8610	Model Name Plate: GES: 3391	9 - 4
D020 1698	MB6	17 - 11
D020 1703	Lens Unit	17 - 11
D020 5162	SIU Board - CS	51 - 2
D020 5180	SIO Board - CS (CS model)	53 - 1
D020 5211	Harness: Operation Sub-unit: 24V	51 - 7
D020 5212	Harness: BCU: HPS/AKS: 5V	55 - 3
D020 5212	Harness: BCU: HPS/AKS: 5V	15 - 10
D020 5310	Controller Board - 33 CS	81 - *
D020 5310	Controller Board - 33 CS (D020)	51 - 12
D020 5311	Controller Board - 25 CS (D018)	51 - 12
D020 5311	Controller Board - 25 CS	81 - *
D020 8600	Model Name Plate: RIC: 3350	9 - 4
D020 8601	Model Name Plate: SVN: 9033	9 - 4
D020 8602	Model Name Plate: LAN: LD433	9 - 4
D020 8603	Model Name Plate: LAN: 3350	9 - 4
D020 8604	Model Name Plate: NSA: 3350	9 - 4

Part No.	Description	Page and Index No.
D020 8605	Model Name Plate: REX: 3350	9 - 4
D020 8606	Model Name Plate: GES: 3350: EU	9 - 4
D020 8607	Model Name Plate: GES: 3350	9 - 4
D020 8608	Model Name Plate: INF: 3350	9 - 4
D084 8600	Sheet: EMBLEM: 28: RIC (D084)	9 - 4
D084 8604	Sheet: EMBLEM: 28: NAS (D084)	9 - 4
D084 8605	Sheet: EMBLEM: 28: REX (D084)	9 - 4
D084 8606	Sheet: EMBLEM: 28: GES: EU (D084)	9 - 4
D084 8607	Sheet: EMBLEM: 28: GES: NA (D084)	9 - 4
D084 8608	Sheet: EMBLEM: 28: INF (D084)	9 - 4
D085 5055	PCB: BCU: 33 (D085)	55 - 16
D085 5055	PCB: BCU: 33 (D085)	65 - *
D085 5056	PCB: BCU: 28 (D084)	55 - 16
D085 5056	PCB: BCU: 28 (D084)	65 - *
D085 5310	PCB: Controller: 33 (D085)	81 - *
D085 5310	PCB: Controller: 33 (D085)	51 - 12
D085 5311	PCB: Controller: 28 (D084)	81 - *
D085 5311	PCB: Controller: 28 (D084)	51 - 12
D085 8600	Sheet: EMBLEM: 33: RIC (D085)	9 - 4
D085 8604	Sheet: EMBLEM: 33: NAS (D085)	9 - 5
D085 8605	Sheet: EMBLEM: 33: REX (D085)	9 - 5
D085 8606	Sheet: EMBLEM: 33: GES: EU (D085)	9 - 5
D085 8607	Sheet: EMBLEM: 33: GES: NA (D085)	9 - 5
D085 8608	Sheet: EMBLEM: 33: INF (D085)	9 - 5

Part No.	Description	Page and Index No.
A006 9104	Adjusting Scanner Pin (4PCS/SET)	87 - 5
A028 9300	O/O MGenM001	87 - 8
A029 9387	Digital Multimeter - FLUKE87	87 - 7
A100 1714	Reflector	17 - 19
A184 3422	Toner Slider	33 - 4
A193 1766	Wire Clamp	17 - 3
A193 1767	1st Mirror Holder	17 - 7
A193 1769	Clamp - Rear Wire	17 - 4
A193 1816	1st Slide Rail	19 - 23
A230 9003	Adjusting Cam - Laser Unit	87 - 1
A232 1916	Collar-polygon Motor	21 - 8
A232 2374	Spur	41 - 31
A250 1752	Exposure Glass	15 - 6
A257 9300	Grease Barrierta S552R	87 - 8
A267 1059	PCU Seal	35 - 3
A267 1059	PCU Seal	57 - 14
A267 1089	Grounding Plate - Upper Rear	15 - 12
A267 1090	Grounding Plate - Lower Right	15 - 14
A267 1325	Cap - LED	9 - 18
A267 1342	Shield Duct	9 - 7
A267 1930	Positioning Bracket - Laser Unit	57 - 8
A267 1944	Plate - Sync. Detector Board	21 - 9
A267 2601	Positioning Guide - Bypass Feed	47 - 21
A267 2751	Paper Feed Roller	25 - 8
A267 2751	Paper Feed Roller	27 - 8
A267 2754	Shaft - Paper Feed Roller	27 - 9
A267 2754	Shaft - Paper Feed Roller	25 - 9
A267 2770	Vibrating Plate	49 - 10
A267 2803	Feeler - Paper End Sensor	25 - 4
A267 2803	Feeler - Paper End Sensor	27 - 4
A267 2834	Pressure Spring - Friction Pad	23 - 18
A267 2845	Bushing - DC Motor Shaft	49 - 16
A267 2846	Holder - Spring	49 - 14
A267 2847	Bushing - Motor Shaft	49 - 23
A267 2857	Spring Plate - Side Fence	23 - 36

Part No.	Description	Page and Index No.
A267 2865	Shaft - Roller	23 - 41
A267 2878	Spring Plate - Grounding	23 - 11
A267 2899	Sponge - Paper Feed Tray	23 - 12
A267 2917	Base Pad	23 - 22
A267 3556	Chuck Spring - Tonner Bottle	33 - 6
A267 3861	Terminal - Transfer Roller	37 - 8
A267 3862	Terminal - Separation	37 - 9
A267 3905	Cover - ID Sensor	37 - 5
A267 3958	Roller - Lever	29 - 13
A267 4076	Spacer - Safety Switch	41 - 32
A267 4085	Fusing Entrance Guide	41 - 26
A267 4086	Fusing Ground Plate - Entrance	41 - 28
A267 4103	Spring - Fusing Stripper	39 - 6
A267 4474	Spring Plate - Tension Roller	43 - 4
A267 4476	Feeler - Paper Feed Sensor	43 - 9
A267 4478	Feeler - Paper Overflow	43 - 8
A267 4479	Shaft - Paper Overflow	43 - 7
A267 4483	Spring Plate - Tension Roller	43 - 3
A267 9002	Positioning Pin - Laser Unit	87 - 2
A292 9500	Test Chart - S5S (10 PCS/SET)	87 - 6
B024 1365	O/O (200906 PCIL)	11 - 13
B024 2765	Pressure Lever Stopper	49 - 7
B024 2839	Harness Cover - Paper Feed	49 - 25
B027 3620	Motor Spacer - Toner Bottle	33 - 10
B027 4079	Harness - Sheet	41 - 16
B027 4091	Front Terminal Plate - Thermostat	41 - 1
B027 4092	Terminal Plate - Thermostat	41 - 14
B027 4093	Rear Terminal Plate - Thermostat	41 - 15
B027 7352	Decal - Side Fence	85 - 2
B027 7352	Decal - Side Fence	23 - 6
B031 2836	Clip: Shaft	49 - 20
B031 4056	C Ring - Hot Roller	39 - 13
B039 1367	Rivet - M6	11 - 11
B039 2287	Charge Roller Spring	35 - 6
B039 2292	Front Pressure Arm - Charge Roller	35 - 7

Part No.	Description	Page and Index No.
B039 2293	Pin - Front Pressure Arm	35 - 8
B039 2335	Pickoff Pawl	35 - 1
B039 2343	Drum Shutter	35 - 23
B039 2350	Clip - OPC DRUM	35 - 11
B039 3060	Development Roller Gear	35 - 16
B039 3062	Idler Gear	35 - 15
B039 9510	OPC Drum	35 - 13
B044 3191	Tapping Screw-M3x8	33 - 5
B051 4050	Philips Screw - M3x8	39 - 22
B065 1371	Cloth Holder	9 - 22
B065 1374	Cloth - DF Exposure Glass	9 - 23
B090 1076	Guide Plate: Fusing Unit: Rear: C	45 - 17
B090 1085	Bracket: Protect: Side Plate: Left Rear	57 - 1
B090 1111	Timing Pulley - 31/36T	45 - 13
B090 1115	Bracket: Tension	45 - 15
B090 1159	Bracket: Fusing: Drive	45 - 7
B090 1162	Cover: Fusing: Drive	45 - 1
B090 1170	Bracket: Fusing: Swivel	45 - 5
B090 1264	Magnet Catch: Door: Front	9 - 3
B090 1265	Cover: Shield Glass: C	9 - 16
B090 1302	Cover: Main Switch	9 - 5
B090 1375	Cap: Heater: Dehumidifier	11 - 10
B090 1917	Cover: Polygon Scanner: Ass'y	21 - 4
B090 1938	Cover: Optical Housing	21 - 5
B090 2592	Cover: Right Inner Rear	49 - 5
B090 2593	Cover: Left Inner Rear	49 - 28
B090 2602	Bracket: Tension	47 - 9
B090 2604	Stopper: Feed: CL	47 - 15
B090 2621	Snap Ring - M6	31 - 19
B090 2663	Bracket: Photointerruptor	25 - 10
B090 2686	Snap Ring	35 - 7
B090 2686	Snap Ring	31 - 18
B090 2686	Snap Ring	25 - 6
B090 2686	Snap Ring	27 - 6
B090 2698	Bracket: Registration Sensor	31 - 11

Part No.	Description	Page and Index No.
B090 2742	Roller: Pull Out: Option Tray	29 - 3
B090 2773	Bracket: Rise: 2	49 - 4
B090 2805	Bracket: Paper End Sensor	25 - 1
B090 2805	Bracket: Paper End Sensor	27 - 1
B090 2815	Bracket: Rise: 1	49 - 9
B090 2837	Bracket: DC Motor: 1	49 - 24
B090 2838	Bracket: DC Motor: 2	49 - 17
B090 2848	Stopper: Holder: Compression Spring	49 - 13
B090 2856	Bracket: Rise	23 - 10
B090 2858	Lever: Stopper: Front	23 - 32
B090 2859	Stopper: Positioning	23 - 33
B090 2860	Lever: Stopper: Positioning	23 - 34
B090 2864	Roller: Bracket: Rise	23 - 40
B090 2869	Gear - 16Z	23 - 14
B090 2987	Roller: Paper Tray	23 - 13
B090 3560	Cover: Toner Bottle: Ass'y	33 - 9
B090 3571	Chuck: Bottle	33 - 8
B090 3572	Shaft: Chuck	33 - 3
B090 3573	Slider: Ass'y	33 - 7
B090 3605	Cam: Handle	33 - 2
B090 4082	Link: Release: Drive	41 - 21
B090 4083	Lever: Release: Drive	41 - 22
B090 4092	Terminal: Heater	39 - 9
B090 4099	Holder: Thermistor	41 - 30
B090 4489	Cover: Paper Feed Sensor	43 - 12
B090 5813	Bracket: Micro Switch	57 - 5
B090 5833	Bracket: Power Pack	53 - 4
B090 7440	Bracket DC Motor Toner Bottle Z EXP	33 - 12
B091 2607	Snap Ring	47 - 20
B091 2615	Spring: Tension	45 - 14
B091 2615	Spring: Tension	47 - 8
B091 2766	Tension Spring: Stopper: Return	49 - 8
B091 2767	Torsion Spring: Joint: Return	49 - 12
B091 2844	Compression Spring: Return	49 - 15
B091 2898	Sheet: Holder: Paper Tray	23 - 19

Part No.	Description	Page and Index No.
B091 3911	Compression Spring: Pressure: Front	37 - 2
B091 3912	Compression Spring: Pressure: Rear	37 - 7
B091 4066	Spring: Flange: Pressure Roller	39 - 17
B091 4084	Compression Spring - 5N	41 - 18
B091 4486	Stopper: Spring Plate	43 - 6
B091 4487	Stopper: Spring Plate: Outer	43 - 5
B091 5820	Compression Spring: Door Switch	57 - 11
B091 5821	Tension Spring: Door Switch	57 - 6
B092 5815	Lever: Door Switch: Ass'y	57 - 12
B093 1862	Cushion Glass	15 - 7
B093 2808	Guide Plate Paper Feed Roller 2 Ass'y	27 - 7
B093 2935	Stopper Paper Feed Roller	27 - 5
B097 2668	Roller: Drive	27 - 14
B121 5018	Choke Coil	55 - 25
B121 9640	Developer Type 28 Black	87 - 10
B121 9640	Developer Type 28 Black	35 - 22
B132 1531	Panel: Logo	9 - 11
B132 1572	Decal: Power Source: Off: DOM	85 - 10
B132 1572	Decal: Power Source: Off: DOM	9 - 12
B132 1573	Decal - Power Source: Off	9 - 12
B132 1573	Decal - Power Source: Off	85 - 10
B180 1704	Bracket: Tension (MS model)	19 - 15
B180 1734	Slide Rail: No.2	19 - 24
B180 1817	1st Scanner Ass'y	17 - 1
B205 0151	PCU Unit	9 - 20
B205 0151	PCU Unit	35 - *
B206 1971	Supporting Plate: Cover: Imaging Unit	21 - 3
B206 1977	Shield Glass	21 - 1
B206 2660	Bracket: Photointerruptor	27 - 11
B206 2828	Guide Plate: Friction Pad: Upper	25 - 12
B206 2842	Guide Plate: Friction Pad	27 - 16
B206 4077	Guide: Harness: Plate	39 - 20
B206 4078	Cover: Thermostat	41 - 17
B206 5823	Bracket: Main Switch	55 - 19
B207 1886	Photointerruptor	43 - 14

Part No.	Description	Page and Index No.
B207 4081	Spring: Release: Drive	41 - 23
B209 1102	Duct: Fan Motor	57 - 4
B209 1105	Fan Motor - MM80	57 - 3
B209 1167	Lever: DCSOL: Ass'y	45 - 8
B209 1183	Bracket: Connecting: Paper Feed	47 - 2
B209 1898	Polygon Mirror Motor	21 - 6
B209 2665	Roller: Sponge	25 - 15
B209 2665	Roller: Sponge	31 - 17
B209 2814	Cushion - Roller Guide 2	27 - 10
B209 3174	Arm: Pressure: Charge: Rear	35 - 9
B209 3175	Electrode Plate: Roller: Charge: Ass'y	35 - 10
B209 3196	Shield: Toner Supply: Entrance	35 - 18
B209 3215	Drum Stay: Front	35 - 21
B209 3233	Drum Stay: Rear	35 - 19
B209 3320	Development Roller Assembly	35 - 14
B209 3360	Development Roller Case	35 - 20
B209 3370	Development Case	35 - 17
B209 3440	Joint: Development	35 - 12
B209 3452	Discharge Lamp	31 - 2
B209 3616	Toner Bottle Motor	33 - 11
B209 3831	Separation Unit: Ass'y	37 - 23
B209 4071	Circlip Stopper	39 - 19
B209 4094	Thermostat Housing	41 - 2
B209 4095	Thermostat - 180C	41 - 3
B209 4475	Exit Roller	43 - 10
B209 5156	PCB: PCU	45 - 20
B209 5867	Panel: Interface	51 - 18
B209 7615	X/O MB3	55 - 23
B209 7617	Power Supply Cord: Stopper: TWN	55 - 23
B209 7631	X/O MB3	55 - 23
B223 1497	PCB: APC1: OP-L: Sub-ass'y	13 - 4
B223 1518	Keytop - Blank FB	13 - 3
B223 1520	Keytop - Clear/Stop	13 - 20
B223 1521	Keytop: 10Key	13 - 21
B223 1528	Keytop - Copy NA	13 - 3

Part No.	Description	Page and Index No.
B223 1529	Keytop - Doc NA	13 - 3
B223 1531	Keytop: Printer: NA	13 - 3
B223 1532	Keytop: Scanner: NA	13 - 3
B223 1533	Keytop: Function: NA (D084/D085)	13 - 3
B223 1534	Keytop: Copy: EU	13 - 3
B223 1535	Keytop: DOC: EU	13 - 3
B223 1537	Keytop: Printer: EU	13 - 3
B223 1538	Keytop: Scanner: EU	13 - 3
B223 1539	Keytop: Function: EU (D084/D085)	13 - 3
B223 1540	Keytop: 10Key: NA	13 - 21
B223 1541	Keytop - 10Key AA	13 - 21
B223 2714	Positioning Cap - Short	25 - 17
B229 1688	X/O MB1	19 - 22
B229 1751	Scale - Inner Back	15 - 5
B237 1367	Scanner Cover - Rear EU	11 - 19
B237 1713	Scale - Left B NA	15 - 4
B238 1504	Keytop - Start	13 - 23
B238 1506	Keytop - Try Print	13 - 24
B238 1509	Keytop - Interrupt	13 - 25
B238 1511	Keytop - Counter	13 - 2
B238 1519	Lens - Front	13 - 13
B238 1534	LCD Spacer A	13 - 16
B238 1535	LCD Spacer B	13 - 17
B238 1540	Sheet: Data: Display: NA	13 - 8
B238 1547	Spacer - Keytop	13 - 1
B238 1549	Keytop - Power Source	13 - 28
B238 1550	Keytop - Login	13 - 27
B238 1552	Keytop - Kantan	13 - 26
B238 1583	Keytop - Clear Modes	13 - 22
B238 1676	Carriage: No.1: Ass'y	17 - 20
B238 1688	Carriage Unit No.2	19 - 29
B238 1689	2nd Scanner Ass'y (CS model)	19 - 1
B238 1692	Bracket: Scale: Left: Ass'y	15 - 15
B238 1713	Scale - Left (B)	15 - 4
B238 1715	Stepper Motor DC3.9V	19 - 9

Part No.	Description	Page and Index No.
B238 1753	Inner Cover - Sensor	17 - 13
B238 1762	Ground Plate - Stepper Motor	19 - 12
B238 1784	Frame: Front	15 - 17
B238 1785	Frame: Rear (CS models)	15 - 16
B238 1786	Scanner Drive Shaft	19 - 17
B238 1787	Drive Were	19 - 14
B238 1788	Stepper Motor Bracket	19 - 10
B238 1792	Timing Belt - 157ST1.5-4.0	19 - 13
B238 1793	Bushing Spacer	19 - 25
B238 1795	Exposure Glass	15 - 2
B238 1796	Hall Plug	19 - 26
B238 1801	Scale - Left (A)	15 - 1
B238 1806	Idler Pulley	19 - 7
B238 1807	Pulley	19 - 27
B238 1812	Ground Plate - Carriage	17 - 18
B238 1814	Pulley: Drive Were: Rear: SUB-Ass'y	19 - 19
B238 1816	Pulley: Drive Were: Front: SUB-Ass'y	19 - 21
B238 1820	Xenon Lamp - DIA10	17 - 2
B238 1821	Stabilizer	17 - 12
B238 1823	Inner Cover - Scanner (CS model)	17 - 8
B238 1827	Original Sensor Bracket	17 - 10
B238 1845	Seal: Exposure Glass	15 - 8
B238 2524	Decal - Paper Size	85 - 11
B238 2524	Decal - Paper Size	9 - 24
B238 5344	SBU Ground Plate	17 - 17
B238 5345	Scanner Interface Cable	51 - 1
B238 5345	Scanner Interface Cable	17 - 14
B238 5367	Harness - APS	17 - 16
B238 5368	Harness - SBU (CS model)	53 - 2
B238 5371	Harness - STM	19 - 8
B238 5372	X/O (200911PCIL)	17 - 14
B238 5372	X/O (200911PCIL)	51 - 1
B259 1131	Screw: PCU	45 - 25
B390 1759	Shaft: Scale	15 - 3
B585 5130	PCB: DDR1-DIMM-32B: 256MB: Ass'y	51 - 19

Part No.	Description	Page and Index No.
B585 5140	PCB: DDR1-DIMM-32B: 512MB: Ass'y	51 - 19
B645 5010	SD-Card: Ass'y	87 - 3
B645 6700	O/O MGenM009	87 - 4
B645 6705	SD-Card: Adapter: BN-SDAA2	87 - 4
B645 6800	O/O MGenM009	87 - 11
B645 6810	O/O MGenM009	87 - 11
B645 6820	SD-Card: USB: Writer: BN-SDCGTY	87 - 11
D009 1466	PCB: ALC1: OP-R: Sub-ass'y	13 - 31
D009 1480	Harness: OP-R: 10	13 - 5
D009 1481	Harness: OP-R: 13	13 - 6
D009 1482	Harness: OP-L: 12	13 - 30
D009 1483	Harness: OP-L: 13	13 - 29
D009 1484	Harness: Inverter	13 - 11
D009 1486	Inverter: TFT	13 - 10
D009 1487	Cable: FFC: TFT: LCD	13 - 19
D009 1488	Touch Panel: W-VGA: MA	13 - 15
D009 1498	LCD: TFT: W-VGA: MV	13 - 18
D009 1501	Cover: Upper	13 - 35
D009 1504	Shading Plate: Touch Panel	13 - 14
D009 1551	Cover: Upper: NA	13 - 35
D009 5320	MB4	21 - 11
D009 5325	Sync.Detector Board	21 - 11
D009 5891	Left Rail - Fax Control Unit	51 - 15
D009 5899	Right Rail - Small	51 - 14
D009 9590	NVRAM	51 - 13
D010 2550	Spacer: Link	23 - 9
D010 2554	Supporter: Left: Ass'y	57 - 26
D010 2640	Spacer: Supporter: Right	25 - 16
D010 2771	Tension Spring	49 - 21
D010 2777	Lever - Paper Volume Sensor	49 - 11
D010 2780	Rising Unit	49 - 6
D010 2822	Friction Pad	23 - 17
D010 2850	Paper Tray	23 - 16
D010 2853	End Fence	23 - 4
D010 2854	Shaft - Tray Bottom Plate	23 - 15

Part No.	Description	Page and Index No.
D010 2861	Tray Bottom Plate	23 - 8
D010 2864	Release lever - Paper Tray	23 - 23
D010 2866	Rear slider - Upper	23 - 38
D010 2867	Font Slider - Upper	23 - 1
D010 2870	Link - Paper Size Sensor	23 - 20
D010 2871	Bracket - Paper Size Sensor	49 - 29
D010 2873	Front Slider - Base	23 - 2
D010 2874	Rear Slider - Base	23 - 39
D010 2875	Spring Plate - Slider	23 - 30
D010 2884	Front Side Fence	23 - 3
D010 2885	Rear Side Fence	23 - 7
D010 2897	Side Fence Seal	23 - 37
D010 2900	End Fence Seal	23 - 5
D010 2901	Pad: Side Fence: 5mm	23 - 42
D010 2902	Pad: Side Fence: 8mm	23 - 43
D010 2951	Release Shaft - Paper Tray	23 - 24
D010 2953	Release Lever - Paper Tray	23 - 26
D010 2954	Paper Tray Grip	23 - 28
D010 2955	Grip Holder - Paper Tray	23 - 25
D010 2956	Tension Spring - Paper Tray	23 - 21
D010 2958	Paper Tray Cover	23 - 31
D010 7450	Main Switch Decal - NA	19 - 28
D010 7450	Main Switch Decal - NA	27 - 20
D010 7451	Main Switch Decal - EU	19 - 28
D010 7451	Main Switch Decal - EU	27 - 20
D025 5214	Harness: SIO: LAMP	17 - 15
D092 5910	SD-Card: VM: EXP: Ass'y (D084/D085)	51 - 28
D331 2680	DC Motor: Paper Feed: Ass'y	49 - 1
D362 1140	HDD Bracket	51 - 25
D362 5130	O/O MB10	51 - 26
D362 5131	Cable - HDD Power	51 - 22
D362 5132	Harness - HDD	51 - 21
D362 5170	PCB - HDD	51 - 20
D376 7901	Seal: Caution: 18Languages (D084/D085)	9 - 25
D376 7905	Sheet: EULA: 18Languages: CHN (D084/D085)	9 - 25

Part No.	Description	Page and Index No.
D383 5010	SD-Card - RPCS (D017/D018/D019/D020)	51 - 28
G020 1332	Hinge - Front Cover	9 - 2
G020 1937	Shield Glass - Polygon Mirror Motor	21 - 13
G020 5626	Push Switch	49 - 31
G020 5626	Push Switch	47 - 6
G020 5626	Push Switch	33 - 14
G020 5871	Spacer - KGLS-12RF	53 - 5
G029 1975	Cylindrical Lens	21 - 12
G029 1980	Decal - LD	85 - 3
G029 1980	Decal - LD	21 - 2
G052 4618	Bearing 30x42x7	39 - 12
G404 2810	Spring Plate - 2nd Mirror	19 - 3
G570 1133	Timing Pulley 73	19 - 20
G570 1225	Sensor Shielding Plate	15 - 11
G570 2832	Guide - High Voltage Supply Cord	19 - 6
G570 2833	Pulley Holder	19 - 4
G570 2834	Pulley - High Voltage Supply Cord	19 - 5
G697 2677	Spring Plate - Side Fence	23 - 35

Part No.	Description	Page and Index No.
M308 5130	HDD: 80GB: MHZ2080BH: FUJITSU	51 - 26
M344 5130	O/O (200906 PCIL)	51 - 26

Part No.	Description	Page and Index No.
AA00 0301	Decal Warning (High Temperature)	39 - 2
AA00 0301	Decal Warning (High Temperature)	85 - 1
AA00 1477	Decal: Energy-Star	9 - 1
AA00 1477	Decal: Energy-Star	85 - 9
AA04 3514	Timing Belt - S3M - 420	45 - 12
AA04 3515	Timing Belt - S3M - 225	45 - 4
AA04 3516	Timing Belt - S3M - 342	47 - 5
AA04 3516	Timing Belt - S3M - 342	45 - 10
AA04 3517	Timing Belt - S3M - 315	47 - 11
AA06 0900	Spring	23 - 27
AA06 0979	Tension Spring: Tension: 14720mN	19 - 11
AA06 0980	Tension Spring: Tension: 11300mN	19 - 16
AA08 0250	Rear Bushing - Transfer Roller	37 - 6
AA08 0252	Bushing - M4	25 - 13
AA08 0252	Bushing - M4	27 - 15
AA08 0256	Front Bushing - Transfer Roller	37 - 1
AA08 2070	Bushing - 8x16x7	31 - 20
AA08 2070	Bushing - 8x16x7	49 - 3
AA08 2073	Roller Busing	41 - 19
AA08 2144	Bushing - 8x12x7	19 - 18
AA12 0094	Antistatic Brush	43 - 11
AA14 3219	Stepped Screw	39 - 3
AA14 3301	Stepped Screw - M3x4	45 - 19
AA14 3444	Stepped Screw	35 - 3
AA14 3592	Screw - M4x6	55 - 28
AA14 3848	Stepped Screw - M3	51 - 23
AA15 0708	Front Discharge Sheet	37 - 3
AA15 0709	Rear Discharge Sheet	37 - 24
AA16 1125	Rubber Cushion	51 - 24
AA16 1143	Cushion - Link	27 - 18
AA16 1143	Cushion - Link	25 - 18
AB01 1199	Gear - 31Z/54Z	47 - 10
AB01 1203	Gear - 30Z	45 - 6
AB01 1204	Gear - 27Z	45 - 2
AB01 1400	Gear - 48Z	39 - 14

Part No.	Description	Page and Index No.
AB01 1404	Gear - 19Z	43 - 16
AB01 4050	Gear - 44Z	45 - 9
AB01 7503	Gear - 35Z/28Z	45 - 3
AB01 7522	Gear - Joint Paper Feed	47 - 3
AB01 7625	Gear Pulley - Registration	47 - 4
AB03 0626	Timing Pulley - 20T	47 - 12
AB03 0627	Timing Pulley - 18T	47 - 7
AB03 3092	Timing Pulley - 27T/48T	45 - 11
AC03 0142	1st Mirror (MS model)	17 - 6
AC03 0162	Mirror No.2	19 - 2
AC03 0169	Mirror: No.1 (CS model)	17 - 6
AD02 7018	Roller: Charge: A3	35 - 4
AD04 1114	Blade: Cleaning	35 - 2
AD04 2058	Charge Cleaner Brush Roller	35 - 5
AE01 1103	Hot Roller: MM40: T0.4	39 - 21
AE02 0161	Pressure Roller: MM27	39 - 15
AE03 0030	Ball Bearing - 8x19x6	39 - 16
AE04 2029	Fusing Cleaning Roller	41 - 20
AE04 4025	Hot Roller Stripper	39 - 7
AF02 2112	Driven Roller	43 - 17
AF04 0566	Tension Roller	43 - 2
AF04 0567	Tension Roller	43 - 1
AG07 0504	Magnet Catch: 44.1N	9 - 13
AG07 0514	Magnet Catch	37 - 17
AH01 0009	Rubber Pad - H5	57 - 13
AW01 0057	Registration Sensor	31 - 12
AW01 0133	Original Sensor - 66mm	17 - 5
AW01 0134	Original Sensor - 48mm	17 - 9
AW02 0141	Photointerruptor	49 - 2
AW02 0141	Photointerruptor	25 - 2
AW02 0141	Photointerruptor	27 - 2
AW02 0145	Photointerruptor: Flat	15 - 18
AW02 0146	Photointerruptor: Flat: PICH2mm: M4	15 - 9
AW02 0173	Photointerruptor: Vertical Transport	49 - 30
AW02 0173	Photointerruptor: Vertical Transport	25 - 11

Part No.	Description	Page and Index No.
AW02 0173	Photointerruptor: Vertical Transport	27 - 12
AW10 0053	Thermistor - Rear	41 - 29
AX04 0220	O/O (200911PCIL)	49 - 1
AX20 0290	Magnetic Clutch: 0.25N M: Z38	47 - 14
AX44 0140	Fusing Lamp - 120V	39 - 10
AX44 0141	Fusing Lamp - 120V	39 - 11
AX44 0142	Fusing Lamp - 230V	39 - 10
AX44 0143	Fusing Lamp - 230V	39 - 11
AX44 0256	Heater: 110V: Main	39 - 10
AX44 0257	Heater: 110V: Sub	39 - 11
AX64 0179	Fan Motor: DC24V 2.4W	55 - 27
AZ23 0221	Power Supply Unit - 120V	55 - 20
AZ23 0223	Power Supply Unit - 230V	55 - 20
AZ32 0158	Power Pack - BCTD	53 - 6
AZ50 0068	Stabilizer: Xenon Lamp	17 - 12

Part No.	Description	Page and Index No.
0313 0350N	Pan Head Screw: M3x35	57 - 104
0314 0120N	Screw - M4x12	15 - 105
0314 0300N	Pan Head Screw: M4x30	57 - 103
0353 0050N	Screw-M3x5	19 - 101
0353 0050N	Screw-M3x5	11 - 102
0353 0050N	Screw-M3x5	51 - 103
0353 0060N	Bind Screw - M3x6	13 - 102
0354 0060N	Screw-M4x6	23 - 104
0360 3006N	Screw - M3x6	35 - 101
0434 0082N	Tapping Screw - M4x8	9 - 104
0450 3008N	Tapping Screw - M3x8	9 - 101
0450 3008N	Tapping Screw - M3x8	29 - 102
0450 3008N	Tapping Screw - M3x8	37 - 101
0450 3008N	Tapping Screw - M3x8	33 - 102
0450 3010N	Tapping Screw - M3x10	39 - 103
0450 3010N	Tapping Screw - M3x10	9 - 103
0450 3010N	Tapping Screw - M3x10	13 - 101
0450 3010N	Tapping Screw - M3x10	41 - 103
0450 3010N	Tapping Screw - M3x10	11 - 103
0450 3020N	Tapping Screw: M3x20	23 - 105
0450 4008N	Tapping Screw - M4x8	23 - 101
0451 3006N	Tapping Screw - 3x6	41 - 101
0451 3006N	Tapping Screw - 3x6	39 - 102
0451 3006N	Tapping Screw - 3x6	25 - 101
0451 3006N	Tapping Screw - 3x6	37 - 102
0451 3006N	Tapping Screw - 3x6	33 - 103
0451 3006N	Tapping Screw - 3x6	31 - 102
0451 3006N	Tapping Screw - 3x6	55 - 101
0451 3006N	Tapping Screw - 3x6	27 - 101
0451 3006N	Tapping Screw - 3x6	29 - 101
0451 3006N	Tapping Screw - 3x6	15 - 104
0451 3006N	Tapping Screw - 3x6	45 - 102
0451 3006N	Tapping Screw - 3x6	19 - 102
0451 3006N	Tapping Screw - 3x6	47 - 101
0451 3006N	Tapping Screw - 3x6	49 - 101

Part No.	Description	Page and Index No.
0451 3006N	Tapping Screw - 3x6	57 - 101
0451 3006N	Tapping Screw - 3x6	53 - 101
0451 3006N	Tapping Screw - 3x6	17 - 101
0451 3006N	Tapping Screw - 3x6	51 - 101
0451 3008N	Tapping Screw - M3x8	57 - 107
0451 3008N	Tapping Screw - M3x8	9 - 102
0451 3008N	Tapping Screw - M3x8	11 - 101
0451 3008N	Tapping Screw - M3x8	53 - 102
0451 3008N	Tapping Screw - M3x8	15 - 102
0451 3008N	Tapping Screw - M3x8	43 - 101
0451 3008N	Tapping Screw - M3x8	55 - 113
0451 3008N	Tapping Screw - M3x8	21 - 101
0451 3008N	Tapping Screw - M3x8	19 - 104
0451 3030N	Tapping Screw: 3x30	49 - 107
0451 4008N	Tapping Screw: 4x8	57 - 106
0452 3006N	Binding Self-tapping Screw: 3x6	35 - 102
0452 3008N	Tapping Screw - M3x8	33 - 101
0452 3008N	Tapping Screw - M3x8	21 - 102
0452 3010N	Binding Self-Tapping Screw: 3x10	31 - 101
0452 3010N	Binding Self-Tapping Screw: 3x10	21 - 104
0453 3006N	Tapping Screw - M3x6	15 - 101
0453 3006N	Tapping Screw - M3x6	25 - 107
0454 3006Q	Tapping Screw - M3x6	49 - 102
0454 3006Q	Tapping Screw - M3x6	43 - 102
0454 3006Q	Tapping Screw - M3x6	55 - 102
0454 3006Q	Tapping Screw - M3x6	45 - 101
0454 3006Q	Tapping Screw - M3x6	25 - 102
0454 3006Q	Tapping Screw - M3x6	47 - 102
0454 3006Q	Tapping Screw - M3x6	57 - 102
0454 3006Q	Tapping Screw - M3x6	19 - 109
0454 3006Q	Tapping Screw - M3x6	17 - 102
0454 3006Q	Tapping Screw - M3x6	51 - 102
0454 3006Q	Tapping Screw - M3x6	27 - 102
0454 3006Q	Tapping Screw - M3x6	15 - 103
0454 4006Q	Tapping Screw: 4x6	55 - 104

Part No.	Description	Page and Index No.
0720 0030E	Retaining Ring - M3	41 - 104
0720 0030E	Retaining Ring - M3	39 - 104
0720 0040E	Retaining Ring - M4	49 - 106
0720 0040E	Retaining Ring - M4	45 - 106
0720 0040E	Retaining Ring - M4	27 - 104
0720 0040E	Retaining Ring - M4	43 - 104
0720 0040E	Retaining Ring - M4	25 - 104
0720 0040E	Retaining Ring - M4	19 - 110
0720 0060E	Retaining Ring - M6	39 - 105
0720 0060E	Retaining Ring - M6	49 - 104
0720 0060E	Retaining Ring - M6	31 - 104
0720 0060E	Retaining Ring - M6	47 - 104
0720 0060E	Retaining Ring - M6	23 - 103
0720 0060E	Retaining Ring - M6	45 - 105
0720 0080E	Retaining Ring - M8	23 - 102
0733 0408	Bushing: 4x8	41 - 107
0802 5291	Tapping Screw: Round Point: M3x6	57 - 102
0802 5299	Tapping Screw - M3x8	17 - 103
0802 5299	Tapping Screw - M3x8	19 - 103
0804 6123	Hexagonal Bolt: W/Washer: M3x8	45 - 104
0804 6123	Hexagonal Bolt: W/Washer: M3x8	55 - 103
0804 6123	Hexagonal Bolt: W/Washer: M3x8	51 - 104
0804 6123	Hexagonal Bolt: W/Washer: M3x8	47 - 103
0804 6123	Hexagonal Bolt: W/Washer: M3x8	41 - 102
0804 6123	Hexagonal Bolt: W/Washer: M3x8	39 - 101
0805 0088	Retaining Ring - M6	19 - 105
0805 0089	Retaining Ring - M4	45 - 107
0805 3480	Bushing - 6mm	27 - 103
0805 3480	Bushing - 6mm	25 - 103
0805 3480	Bushing - 6mm	43 - 103
0805 3480	Bushing - 6mm	31 - 105
0950 3006N	Screw: Spring Washer: M3x6	27 - 108
0950 4008Z	Philips Truss Screw - M4x8	49 - 105
0951 3008N	Screw: Polished Round: M3x8	45 - 103
0954 3012N	Screw - M3x12	41 - 105

Part No.	Description	Page and Index No.
0954 3020N	Screw: Polished Round/Spring: M3x20	55 - 115
1102 4201	Connector - 2P	65 - 101
1102 4203	CT Header - 4P	65 - 102
1102 4205	CT Header - 6P	65 - 104
1102 4206	Connector - 7P	65 - 105
1102 4209	CT Header - 10P	65 - 106
1102 4210	Connector - 11P	65 - 108
1102 4211	CT Header - 12P	65 - 109
1102 4621	CT Header - 4P	65 - 103
1102 4627	Connector - 10P	65 - 107
1102 5007	CT Header - 14P	65 - 110
1102 5306	Connector - 7P	65 - 111
1102 6260	Relay Connector - 3P	41 - 106
1102 6295	Connector - 2P	65 - 112
1102 6297	Connector - 4P	65 - 114
1102 6403	Connector - 30P	65 - 116
1102 6662	Connector - 4P	65 - 115
1102 6790	Connector - 100R-LT-N1	81 - 101
1102 7615	Connector - B8B-XH-A	81 - 102
1102 8212	Connector: TX24-50R-10ST-H1E	81 - 103
1102 8329	Connector - USB - UBB-4R-D14C	81 - 104
1102 8470	Connector - 55447-0610	65 - 113
1102 8476	Connector - 55447-1210	65 - 117
1102 8477	Connector - 13P	65 - 118
1102 9336	Connector: FPS009-2300-0	81 - 106
1102 9890	Connector: 5-1605706-2	81 - 107
1102 9956	Connector: UBA-4R-D14T-4D(LF)(SN)	81 - 108
1103 3173	Connector: FH12-36S-0.5SV(89)	65 - 126
1103 3177	Connector - FH12-45S-0.5SV(89)	65 - 127
1103 3178	Connector - FH12-50S-0.5SH(89)	65 - 128
1103 3207	Connector - FH12-36S-0.5SH(89)	65 - 129
1103 3663	Connector: 55451-1670	65 - 130
1103 3984	Connector	65 - 121
1103 3986	Connector	65 - 122
1103 3988	Connector	65 - 123

Part No.	Description	Page and Index No.
1103 3990	Connector	65 - 124
1103 3992	Connector	65 - 120
1103 3993	Connector	65 - 119
1103 4004	Connector	65 - 125
1103 4043	Connector: 87825-1001	81 - 109
1103 4234	RHM-176P-SDK11-UH1L1C(LF)(SN)	81 - 105
1104 0764	IC Socket - 8 PIN	65 - 131
1104 0821	IC Socket: 16008-B0A0020N	81 - 147
1105 0032	Clamp	13 - 104
1105 0195	PCB Stud	17 - 107
1105 0292	Wire Saddle	53 - 106
1105 0292	Wire Saddle	55 - 106
1105 0296	Spacer - KGLS-16RT	55 - 107
1105 0329	Clamp - ES-0510	49 - 109
1105 0415	Clamp: Card Spacer(F2)	23 - 106
1105 0460	Clamp	49 - 108
1105 0487	Harness Clamp	53 - 105
1105 0487	Harness Clamp	19 - 107
1105 0487	Harness Clamp	55 - 112
1105 0488	Harness Clamp	47 - 106
1105 0488	Harness Clamp	55 - 105
1105 0488	Clamp: LWS-1211Z	27 - 107
1105 0499	Support Spacer - M3x29	53 - 103
1105 0508	Harness Clamp - LWS-0711	21 - 103
1105 0511	Harness Clamp - LWS-0306ZC	49 - 103
1105 0511	Harness Clamp - LWS-0306ZC	47 - 107
1105 0511	Harness Clamp - LWS-0306ZC	25 - 105
1105 0511	Harness Clamp - LWS-0306ZC	31 - 103
1105 0511	Harness Clamp - LWS-0306ZC	27 - 105
1105 0511	Harness Clamp - LWS-0306ZC	17 - 105
1105 0511	Harness Clamp - LWS-0306ZC	15 - 106
1105 0516	Clamp	47 - 105
1105 0516	Clamp	53 - 104
1105 0516	Clamp	19 - 106
1105 0516	Clamp	17 - 104

Part No.	Description	Page and Index No.
1105 0522	Edge Saddle - LES0510	27 - 106
1105 0522	Edge Saddle - LES0510	25 - 106
1105 0621	Clamp - SB-2712	19 - 108
1105 0622	Clamp - JCC-1R	17 - 106
1105 0687	Clamp: FC-30	45 - 108
1107 0391	Fuse - 5A, 125V	55 - 111
1107 0629	Fuse (Ceramic Case) - 15A - 125V	55 - 110
1107 0652	Fuse (Glass Case) - 10A - 125V	55 - 109
1107 1066	Fuse: ET-5A	55 - 116
1107 1083	Fuse: SST 4	81 - 110
1107 1099	Fuse SST 5	81 - 111
1107 1166	Fuse: HT-8A-N5	55 - 117
1109 0009	IC - MINISMDC075-02	81 - 112
1109 0042	Fuse: MINISMDC150F	65 - 132
1204 2477	Rocker Switch - AC250V 10A	55 - 108
1204 2510	Micro Switch	57 - 105
1204 2756	Dip Switch: NDI-04H-V	65 - 133
1204 2791	DIP Switch: DM-04-V	81 - 113
1206 0124	Lithium Cell: CR2032VO4H/Z	81 - 114
1400 0381	Transistor - 2SA1036KR	65 - 134
1400 0702	Transistor - DTD143EK	65 - 135
1400 0855	Transistor - 2SA1235A	65 - 136
1400 1249	Transistor: SRA2201 μ F	65 - 137
1401 1056	FET - 2SK2158	65 - 138
1401 1318	FET - HAT2198R	81 - 115
1401 1414	FET: SI3433BDV-E3	81 - 116
1401 1415	FET: SI3434DV-E3	81 - 117
1401 1448	FET: SI3447BDV-E3	81 - 118
1401 1457	FET: TPCP8102	81 - 119
1401 1466	FET: SI4800BDY-E3	81 - 120
1401 1475	FET: SI3867DV-E3	81 - 121
1402 1336	Diode - 1SS355	81 - 122
1402 1337	Diode-RB731U	65 - 139
1402 1365	Diode-RB751V-40	81 - 123
1402 1663	Diode - ZTP12B	65 - 140

Part No.	Description	Page and Index No.
1402 1854	Diode: RF071M2S	65 - 141
1402 1911	Diode - SDS511	65 - 142
1402 1929	Diode: RB160M-30	81 - 124
1402 1977	Diode: SDB310Q	65 - 143
1402 2039	Diode: RSX301LA-30	81 - 125
1403 0953	LED - SML-310MT	65 - 144
1403 0953	LED - SML-310MT	81 - 126
1403 0978	LED - SML-310DT	81 - 127
1403 0996	LED - SML-310VT	65 - 145
1403 1131	LED: SML-311UT	81 - 128
1404 0360	Thermistor - 103HT	65 - 146
1407 1535	IC - TD62308AP	65 - 147
1407 2219	IC - TD62003AP	65 - 148
1407 4919	IC - 74VHCT244 TSSOP	81 - 129
1407 5009	CMOS Logic: TC7SET04FU	81 - 130
1407 5010	IC - TC7SET08FU	81 - 131
1407 5190	CMOS Logic: TC7SZ08FU	81 - 132
1407 5192	CMOS Logic: TC7SZ04FU	65 - 149
1407 5192	CMOS Logic: TC7SZ04FU	81 - 133
1407 5300	CMOS Logic - 74LVC16244A TSSOP	81 - 134
1407 5347	IC - SN74LV08APW	65 - 150
1407 5351	IC - SN74LV14APW	65 - 151
1407 5351	IC - SN74LV14APW	81 - 135
1407 5353	IC - SN74LV244APW	65 - 152
1407 5463	IC - SN74LV245APW	65 - 153
1407 5469	IC - SN74LV07APW	65 - 154
1407 5482	IC - SN74LVC07APW	81 - 136
1407 5509	IC - SN74AHCT08PW	65 - 155
1407 5520	CMOS Logic: SN74LVC125APW	81 - 137
1407 5523	ROM - I2C SOP 3V	81 - 138
1407 5528	IC - SN74LVC126APW	81 - 139
1407 5604	CMOS Logic: SN74LVC16245ADGG	81 - 140
1407 5633	IC - SN74LV574APW	65 - 156
1407 5713	IC: SN74LV06APW	65 - 157
1407 6145	IC: SN74LVC373APW	81 - 141

Part No.	Description	Page and Index No.
1407 6166	IC - ESOC	65 - 158
1407 6265	Real Time Clock: R2025S	81 - 142
1407 6362	EEPROM: BR24L64-W	55 - 114
1407 6386	CPU: RM7035C-533L-REV1.1	81 - 143
1407 6400	Clock Generator - ICS960013BFLF	81 - 144
1407 6671	USB Controller: UPD720102GC-YEB-A	81 - 145
1407 6723	Custom IC: Cornet	81 - 146
1407 6741	LAN Controller LSI: DP83848JSQ/NOPB	81 - 148
1407 6751	CMOS Logic: HD74LV1GW07ACM	81 - 149
1407 6759	Custom IC: EIO	65 - 159
1407 6777	CMOS Logic: TC7SZ14FU	65 - 162
1407 6801	CMOS Logic: TC7PA17FU	81 - 150
1407 6803	CMOS Logic: TC7SZ07FU	81 - 151
1407 6804	CMOS Logic: TC7SZ04FU	65 - 160
1407 6847	Motor Control IC: STK672-600B-E	65 - 161
1407 6853	CMOS Logic: HD74LV1GW17ACM	81 - 152
1407 6863	Controller: ST19WP18FT28PVG1	81 - 153
1407 6898	CMOS Logic: TC7WH126FK	81 - 154
1407 6899	CMOS Logic: TC7WH125FK	81 - 155
1407 6944	USB Controller IC: ST72681/R21	81 - 156
1407 6951	CMOS Logic: TC7MBL3245SFK	81 - 157
1408 1204	IC - TA8083P	65 - 163
1408 1550	IC - LM2902PW	65 - 164
1408 1826	IC - R3112Q421A	65 - 165
1408 1826	IC - R3112Q421A	81 - 158
1408 1911	Comparator - LM2903PW	65 - 166
1408 2053	IC: R3112Q291A-FA	81 - 159
1408 2062	IC: R3112Q221A-FA	81 - 160
1408 2087	IC: LTC3736EUF#TRPBF	81 - 161
1408 2180	IC - BD3531F	81 - 162
1408 2247	Series Regulator: R1114N181B-FA	65 - 167
1408 2449	DC/DC Converter: BD9104FVM	81 - 163
1408 2463	DDR Terminator - TPS51116PWPG4	81 - 164
1408 2484	IC: LTC3808EDE#PBF	81 - 165
1408 2514	Series Regulator: UPC2933BT-AZ	65 - 168

Part No.	Description	Page and Index No.
1503 1004	Oscillator - 19.6608MHz	65 - 169
1503 1138	Crystal Oscillator - 48MHz	81 - 166
1503 1215	Crystal Oscillator - 17.5MHz	65 - 170
1503 1355	Crystal Oscillator: 25MHz	81 - 167
1503 1362	Crystal Oscillator: 30MHz	81 - 168
1503 1363	Crystal Oscillator: 12MHz	81 - 169
1503 1379	Crystal Oscillator: 14.31818MHz	81 - 170
1600 1238	Resistor - 220Ω 3W	65 - 171
1601 7887	Resistor Array - 10K Ω±5% 1/32W	81 - 171
1601 7896	Resistor Array - 56 Ω ±5% 1/32W	81 - 172
1601 7898	Resistor Array	81 - 173
1601 7913	Resistor 22 Ω ±5% 1/32W	81 - 174
1601 7914	Resistor Array - 47 Ω ±5%	81 - 175
1601 7959	Resistor	81 - 176
1601 7981	Resistor Array - 100K Ω±5%1/16W	81 - 177
1604 4728	Capacitor - 100μF±20% 16V	65 - 172
1604 4729	Capacitor - 47μF ±20% 16V	65 - 173
1604 4759	Capacitor - 10μF ±20% 50V	65 - 174
1604 5066	Capacitor 100μF: ±20%: 50V	65 - 175
1604 5724	Capacitor: 100μF: ±20%: 2V	81 - 178
1605 1124	Capacitor - 4.7μF -20% 10V	81 - 179
1605 1137	Capacitor - 470pF±10% 50V	65 - 176
1605 1148	Capacitor - 0.1μF 20% 50V	65 - 177
1605 1197	Capacitor - 6pF ±0.5pF 50V	81 - 180
1605 1199	Capacitor - 8pF ±0.5pF 50V	81 - 181
1605 1200	Capacitor - 10pF ±0.5pF 50V	81 - 182
1605 1200	Capacitor - 10pF ±0.5pF 50V	65 - 178
1605 1204	Capacitor-pF50V	81 - 183
1605 1206	Capacitor - 47pF ±5% 50V	81 - 184
1605 1207	Capacitor - 68pF ±5% 50V	81 - 185
1605 1208	Capacitor: 100pF: ±5%: 50V	65 - 179
1605 1208	Capacitor: 100pF: ±5%: 50V	81 - 186
1605 1211	Capacitor - 220pF±10% 50V	81 - 187
1605 1212	Capacitor - 470pF±10% 50V	81 - 188
1605 1214	Capacitor - 1000pF ±10% 50V	81 - 189

Part No.	Description	Page and Index No.
1605 1216	Capacitor - 2200pF±10%50V	81 - 190
1605 1218	Capacitor: 4700pF: ±10%: 25V	81 - 191
1605 1221	Capacitor - 0.1 μF20%16V	81 - 192
1605 1240	Capacitor - 0.01μF ±10% 25V	81 - 193
1605 1284	Capacitor: 1500pF: ±10%: 50V	81 - 194
1605 1289	Capacitor - 0.1μF±10% 10V	65 - 180
1605 1289	Capacitor - 0.1μF±10% 10V	81 - 195
1605 1291	Capacitor: 2.2μF: ±10%: 10V	81 - 196
1605 1293	Capacitor - 27pF±5%50V	81 - 197
1605 1295	Capacitor: 10μF: 20%: 10V	81 - 198
1605 1296	Capacitor - 330pF±10% 50V	81 - 199
1605 1301	Capacitor-6800pF ±10% 50V	81 - 200
1605 1306	Capacitor - 1μF ±10% 10V	81 - 201
1605 1307	Capacitor - 2.2μF 20% 11V	81 - 202
1605 1347	Capacitor - 1μF: 20%: 16V	65 - 181
1605 1353	Capacitor - 0.1μF±10% 25V	65 - 182
1605 1358	Capacitor - 10μF ±10% 10V	81 - 203
1605 1376	Capacitor - 0.033μF - ±10%: 25V	81 - 204
1605 1406	Capacitor - 10μF ±10% 6.3V	81 - 205
1605 1451	Capacitor: 0.47μF: ±10%: 6.3V	81 - 206
1605 1452	Capacitor - 1μF ±10% 6.3V	81 - 207
1605 1474	Capacitor - 47μF ±20% 6.3V	81 - 208
1605 1475	Resistor - 1μF ±10% 16V	81 - 209
1605 1490	Capacitor: 2.2μF: ±10%: 25V	65 - 183
1605 1544	Resistor - 330pF±5% 50V	81 - 210
1605 1563	Capacitor: 10μF: ±10%: 10V	81 - 211
1605 1583	Capacitor - 0.1μF±10%: 16V	81 - 212
1605 1587	Capacitor: 22μF: ±20%: 6.3V	81 - 213
1605 1602	Capacitor: 3.3μF: ±10%: 6.3V	81 - 214
1605 1605	Capacitor - 4.7μF±10% 10V	81 - 215
1605 1607	Capacitor: 22μF: 20%: 6.3V	81 - 216
1605 1681	Capacitor: 22μF: ±20%: 10V	81 - 314
1605 1689	Capacitor: 100μF: ±20%: 6.3V	81 - 217
1606 2319	Capacitor: 100μF: ±20%: 6.3V	81 - 218
1607 1014	EMI Filter - BLM11P600SPB	81 - 219

Part No.	Description	Page and Index No.
1607 1051	Filter - FBMJ2125HS420	81 - 220
1607 1061	Filter - BLM11P300SPB	81 - 221
1607 1199	Filter - BLM21PG600SN1B	81 - 222
1607 1477	Inductor - RLF7030-4R7M3R4	81 - 223
1607 1556	Inductor: RLF7030-1R5N6R1	81 - 224
1607 1567	Filter: MPZ2012S101A	81 - 225
1607 1572	Filter: MPZ1608S101A	81 - 226
1607 1637	Coil: ACM2012-900-2P	81 - 227
1607 1827	Inductor: RLF7030-2R2M5R4	81 - 228
1607 1946	Inductor: VLF10040-2R2N7R1	81 - 229
1607 2053	Ferrite Core: E04FG210810	13 - 103
1609 0005	Resistor: 33 Ω : $\pm 5\%$: 1/16W	81 - 230
1609 0006	Resistor: 10K $\Omega \pm 5\%$: 1/16W	81 - 231
1609 0006	Resistor: 10K $\Omega \pm 5\%$: 1/16W	65 - 184
1609 0007	Resistor - 68 Ω $\pm 5\%$ 1/16W	81 - 232
1609 0007	Resistor - 68 Ω $\pm 5\%$ 1/16W	65 - 185
1609 0011	Resistor: 22 Ω : $\pm 5\%$: 1/16W	81 - 233
1609 0012	Resistor: 3.3K $\Omega \pm 5\%$: 1/16W	65 - 186
1609 0015	Resistor - 1K Ω $\pm 5\%$: 1/16W	65 - 187
1609 0016	Resistor: 56 Ω : $\pm 5\%$: 1/16W	81 - 234
1609 0018	Resistor: 2.2K OHM: $\pm 5\%$: 1/16W	65 - 188
1609 0020	Resistor: 10 Ω : $\pm 5\%$: 1/16W	81 - 235
1609 0025	Resistor - 100 Ω $\pm 5\%$ 1/16W	65 - 189
1609 0026	Resistor - 47 Ω $\pm 5\%$ 1/16W	81 - 236
1609 0027	Resistor - 100K $\Omega \pm 5\%$ 1/16W	81 - 237
1609 0030	Resistor Array: 220 Ω : $\pm 5\%$: 1/16W: 8Number	65 - 190
1609 0039	Resistor Array: 10K Ω : $\pm 5\%$: 1/16W: 4Number	65 - 191
1609 0041	Resistor Array: 100 Ω : $\pm 5\%$: 1/16W: 4Number	65 - 192
1609 0042	Resistor Array: 3.3K Ω : $\pm 5\%$: 1/16W: 4Number	65 - 193
1609 0044	Resistor Array: 33 $\Omega \pm 5\%$: 1/16W: 4Number	65 - 194
1609 0048	Resistor Array: 68 $\Omega \pm 5\%$: 1/16W: Number	65 - 195
1609 0049	Resistor Array: 1K $\Omega \pm 5\%$: 1/16W: 4Number	65 - 196
1610 1900	Resistor: 56K $\Omega \pm 0.5\%$: 1/16W 1005	81 - 238
1610 2045	Resistor: 115K $\Omega \pm 0.1\%$: 1/10W: 2125	81 - 239
1610 2046	Resistor: 25.5K Ω : $\pm 0.1\%$: 1/10W: 2125	81 - 240

Part No.	Description	Page and Index No.
1610 2047	Resistor: 30.1K Ω : $\pm 0.1\%$: 1/10W: 2125	81 - 241
1632 0000	Resistor - 0 Ω 1/8W	65 - 197
1633 0000	Resistor - 0 Ω 1/10W	81 - 242
1634 0000	Resistor - 0 Ω 1/16W	65 - 198
1634 0000	Resistor - 0 Ω 1/16W	81 - 243
1650 2339	Resistor: 3.3 $\Omega \pm 5\%$: 1/4W: 3216	65 - 199
1650 2472	Chip Resistor-4.7K	65 - 200
1650 4100	Resistor - 10 Ω $\pm 5\%$ 1/10W	65 - 201
1650 4101	Resistor - 100 $\Omega \pm 5\%$ 1/10W	65 - 202
1650 4101	Resistor - 100 $\Omega \pm 5\%$ 1/10W	81 - 244
1650 4102	Resistor - 1K Ω $\pm 5\%$ 1/10W	65 - 203
1650 4103	Resistor - 10K Ω $\pm 5\%$ 1/10W	65 - 204
1650 4105	Resistor - 1M Ω $\pm 5\%$ 1/10W	65 - 205
1650 4203	Resistor - 20K Ω $\pm 5\%$ 1/10W	65 - 206
1650 4220	Chip Resistor - 22 Ω $\pm 5\%$ 1/10W	65 - 207
1650 4221	Resistor - 220 $\Omega \pm 5\%$ 1/10W	65 - 208
1650 4222	Resistor - 2.2K $\Omega \pm 5\%$ 1/10W	65 - 209
1650 4223	Resistor - 22K $\Omega \pm 5\%$ 1/10W	65 - 210
1650 4271	Resistor - 270 $\Omega \pm 5\%$ 1/10W	65 - 211
1650 4330	Chip Resistor - 33 Ω $\pm 5\%$ 1/10W	65 - 212
1650 4332	Resistor - 3.3K $\Omega \pm 5\%$ 1/10W	65 - 213
1650 4392	Chip Resistor - 3.9K $\Omega \pm 5\%$ 1/10W	65 - 214
1650 4470	Resistor - 47 $\Omega \pm 5\%$ 1/10W	81 - 245
1650 4472	Resistor - 4.7K $\Omega \pm 5\%$ 1/10W	65 - 215
1650 4472	Resistor - 4.7K $\Omega \pm 5\%$ 1/10W	81 - 246
1650 4560	Chip Resistor - 56 Ω $\pm 5\%$ 1/10W	65 - 216
1650 4680	Resistor - 68 $\Omega \pm 5\%$ 1/10W	65 - 217
1650 5101	Chip Resistor - 100 $\Omega \pm 5\%$ 1/16W	81 - 247
1650 5102	Chip Resistor - 1K $\Omega \pm 5\%$ 1/16W	81 - 248
1650 5103	Chip Resistor - 10K $\Omega \pm 5\%$ 1/16W	81 - 249
1650 5104	Chip Resistor - 100K $\Omega \pm 5\%$ 1/16W	81 - 250
1650 5109	Chip Resistor 1 Ω $\pm 5\%$ 1/16W	81 - 251
1650 5122	Chip Resistor - 1.2K $\Omega \pm 5\%$ 1/16W	81 - 252
1650 5152	Chip Resistor: 1.5K $\Omega \pm 5\%$: 1/16W	81 - 253
1650 5203	Resistor - 20K Ω $\pm 5\%$ 1/16W	81 - 254

Part No.	Description	Page and Index No.
1650 5220	Resistor - 22Ω ±5% 1/16W	81 - 255
1650 5221	Chip Resistor - 220Ω±5%1/16W	81 - 256
1650 5222	Resistor - 2.2KΩ±5% 1/16W	81 - 257
1650 5272	Chip Resistor: 2.7KΩ±5%: 1/16W	81 - 258
1650 5330	Chip Resistor - 33Ω±5%1/16W	81 - 259
1650 5470	Chip Resistor 47Ω ±5% 1/16W	81 - 260
1650 5472	Chip Resistor: 4.7KΩ±5%: 1/16W	81 - 261
1650 5560	Chip Resistor 56Ω ±5% 1/16W	81 - 262
1650 5621	Chip Resistor 620Ω ±5% 1/16W	81 - 263
1650 5683	Chip Resistor 68KΩ ±5% 1/16W	81 - 264
1650 5822	Chip Resistor: 8.2KΩ±5%: 1/16W	81 - 265
1654 1002	Resistor - 10KΩ±5%1/10W	81 - 266
1654 1003	Resistor - 100KΩ±1%1/10W	65 - 218
1654 1004	Chip Resistor - 1MΩ ±1% 1/10W	65 - 219
1654 1004	Chip Resistor - 1MΩ ±1% 1/10W	81 - 267
1654 1009	Resistor - 10Ω±1% 1/10W	81 - 268
1654 1501	Resistor - 1.5K Ω±1% 1/10W 1608	65 - 220
1654 1502	Resistor - 15KΩ±1% 1/10W	81 - 269
1654 1509	Chip Resistor: 15Ω: ±1%: 1/10W	81 - 270
1654 1542	Resistor - 15.4K Ω ±1% 1/10W 1608	65 - 221
1654 1809	Resistor: 18 Ω: ±1%: 1/10W: 1608	81 - 318
1654 2002	Resistor - 20KΩ±1%1/10W	65 - 222
1654 2200	Resistor: 220Ω: ±1%: 1/10W: 1608	81 - 271
1654 2209	Resistor - 22Ω±1% 1/10W	81 - 315
1654 2401	Resistor - 2.4KΩ±1% 1/10W	65 - 223
1654 3002	Resistor - 30KΩ±1%1/10W	81 - 272
1654 3090	Resistor: 309 Ω±1%: 1/10W: 1608	65 - 224
1654 3309	Resistor - 33Ω±1% 1/10W	81 - 316
1654 3901	Resistor - 3.9KΩ±1% 1/10W	65 - 226
1654 5231	Resistor - 5.23KΩ±1%1/10W	65 - 227
1654 5600	Resistor - 560Ω±1% 1/10W	65 - 225
1654 6800	Resistor - 680 Ω±1% 1/10W	81 - 273
1655 0000	Chip Resistor - 0Ω±0%1/16W	81 - 274
1655 1000	Chip Resistor: 100Ω: ±1%: 1/16W	81 - 275
1655 1001	Chip Resistor - 1KΩ ±1% 1/16W	81 - 276

Part No.	Description	Page and Index No.
1655 1002	Chip Resistor - 10KΩ±1%1/16W	81 - 277
1655 1003	Chip Resistor - 100KΩ±1%1/16W	81 - 278
1655 1009	Resistor - 10Ω ±1% 1/16W	81 - 279
1655 1109	Resistor: 11 Ω: ±1%: 1/16W: 1005	81 - 280
1655 1132	Resistor: 11.3K Ω: ±1%: 1/16W: 1005	81 - 281
1655 1200	Resistor - 120 Ω±1% 1/16W	81 - 282
1655 1242	Resistor: 12.4K Ω: ±1%: 1/16W: 1005	81 - 283
1655 1501	Chip Resistor 1.5KΩ±1% 1/16W	81 - 284
1655 1502	Resistor - 15KΩ ±1% 1/16W	81 - 285
1655 1601	Resistor: 1.6K Ω±1%: 1/16W: 1005	81 - 286
1655 1651	Resistor: 1.65K Ω: ±1%: 1/16W: 1005	81 - 287
1655 2200	Resistor - 220Ω ±1% 1/16W	81 - 288
1655 2201	Resistor: 2.2K Ω±1%: 1/16W: 1005	81 - 289
1655 2209	Resistor - 22Ω ±1% 1/16W	81 - 290
1655 2552	Resistor: 25.5K Ω: ±1%: 1/16W: 1005	81 - 291
1655 3012	Resistor: 30.1K Ω: ±1%: 1/16W: 1005	81 - 292
1655 3309	Resistor - 33Ω ±1% 1/16W	81 - 293
1655 3909	Resistor 39Ω ±1% 1/16W	81 - 294
1655 4700	Resistor - 470Ω ±1% 1/16W	81 - 295
1655 4701	Chip Resistor - 4.7KΩ±1%1/16W	81 - 296
1655 4702	Chip Resistor: 47KΩ: ±1%: 1/16W: 1005	81 - 297
1655 4709	Resistor - 47Ω ±1% 1/16W	81 - 298
1655 4871	Resistor: 4.87K Ω: ±1%: 1/16W: 1005	81 - 299
1655 4999	Resistor - 49.9Ω±1% 1/16W	81 - 300
1655 5102	Resistor: 51K Ω±1%: 1/16W: 1005	81 - 301
1655 5103	Resistor: 510K Ω±1%: 1/16W: 1005	81 - 302
1655 5600	Resistor - 560Ω ±1% 1/16W	81 - 303
1655 5601	Resistor - 5.6KΩ±1% 1/16W	81 - 304
1655 5609	Resistor - 56Ω ±1% 1/16W	81 - 305
1655 6809	Chip Resistor - 68Ω±1%1/16W	81 - 306
1655 9101	Resistor - 9.1K Ω±1% 1/16W	81 - 307
1660 2101	Capacitor - 100pF - ±10% - 50V	81 - 308
1660 2101	Capacitor - 100pF - ±10% - 50V	65 - 228
1660 2120	Capacitor - 12 pF±5% 50V	65 - 229
1660 2150	Capacitor - 15pF ±5% 50V	65 - 230

Part No.	Description	Page and Index No.
1660 2470	Capacitor - 47pF ±5% 50V	65 - 231
1660 2471	Capacitor - 470pF - ±5% - 50V	65 - 232
1660 2471	Capacitor - 470pF - ±5% - 50V	81 - 309
1660 4102	Capacitor - 1000pF ±10% 50V	65 - 233
1660 4103	Capacitor - 10000pF - ±10% - 50V	65 - 234
1660 4103	Capacitor - 10000pF - ±10% - 50V	81 - 310
1660 4472	Capacitor - 4700pF±10% 50V	65 - 235
1660 8104	Capacitor - 0.1µF 20% 25V	65 - 236
1660 8104	Capacitor - 0.1µF 20% 25V	81 - 311
1902 0069	SRAM - 4mx16 3.3V G1	65 - 237
1906 0101	Flash Memory: S29GL032A90TFIR40	65 - 238
1906 0117	Flash Memory: S29GL032A90TFIR20	81 - 312
1906 0120	NAND Flash: 1G: x8: 30NS: 3.3V: 2KB	81 - 317
1907 0077	DDR512M: 8Mx16x4: 333MHZ: CL2.5G3	81 - 313

Part No.	Description	Page and Index No.
5203 9501	Grease 501	87 - 9
5442 1924	Exposure Glass Cushion	15 - 7
5447 2681	Snap Ring	29 - 20
5447 2681	Snap Ring	31 - 5
5447 2681	Snap Ring	37 - 11