

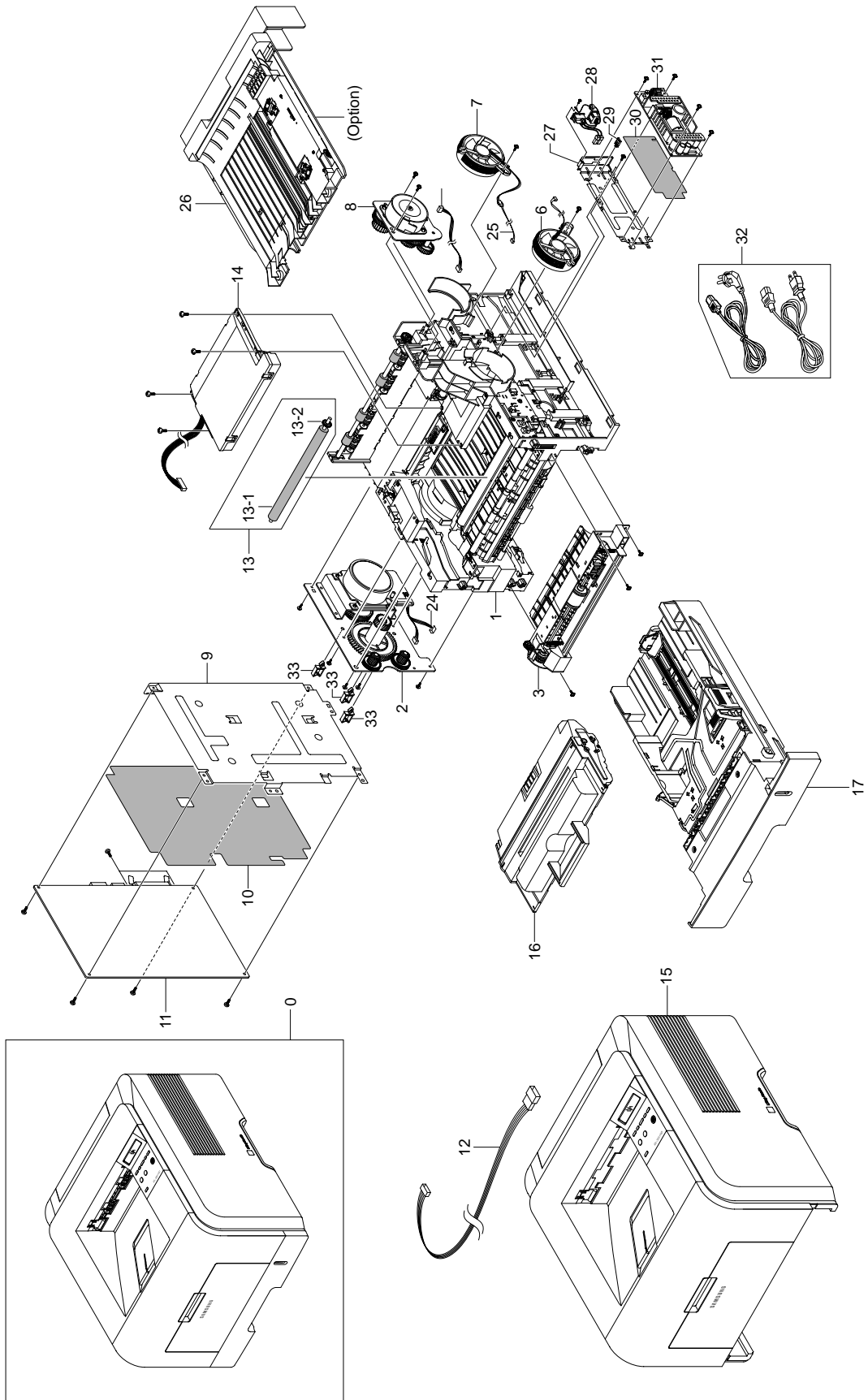
# 7. Exploded Views and Parts List

---

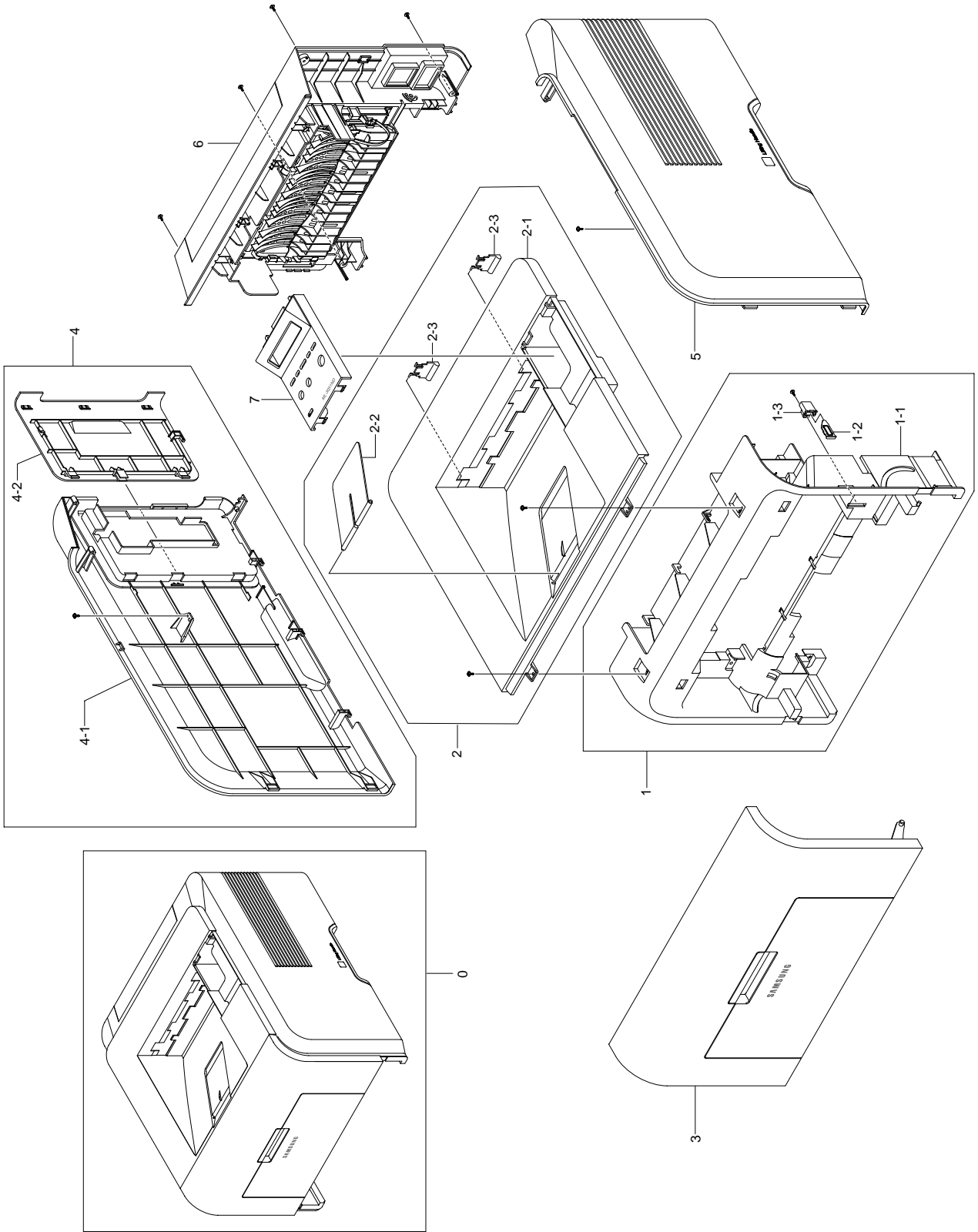
## Contents

- 7.1 Main
- 7.2 Cover Ass'y
- 7.3 Front Cover Ass'y
- 7.4 Rear Cover Ass'y
- 7.5 OPE Cover Ass'y
- 7.6 Frame
- 7.7 MP Ass'y
- 7.8 Main Drive Ass'y
- 7.9 Fuser Drive Ass'y
- 7.10 Duplex Unit (Optional)
- 7.11 Fuser Unit
- 7.12 Cassette Unit

# 7.1 Main

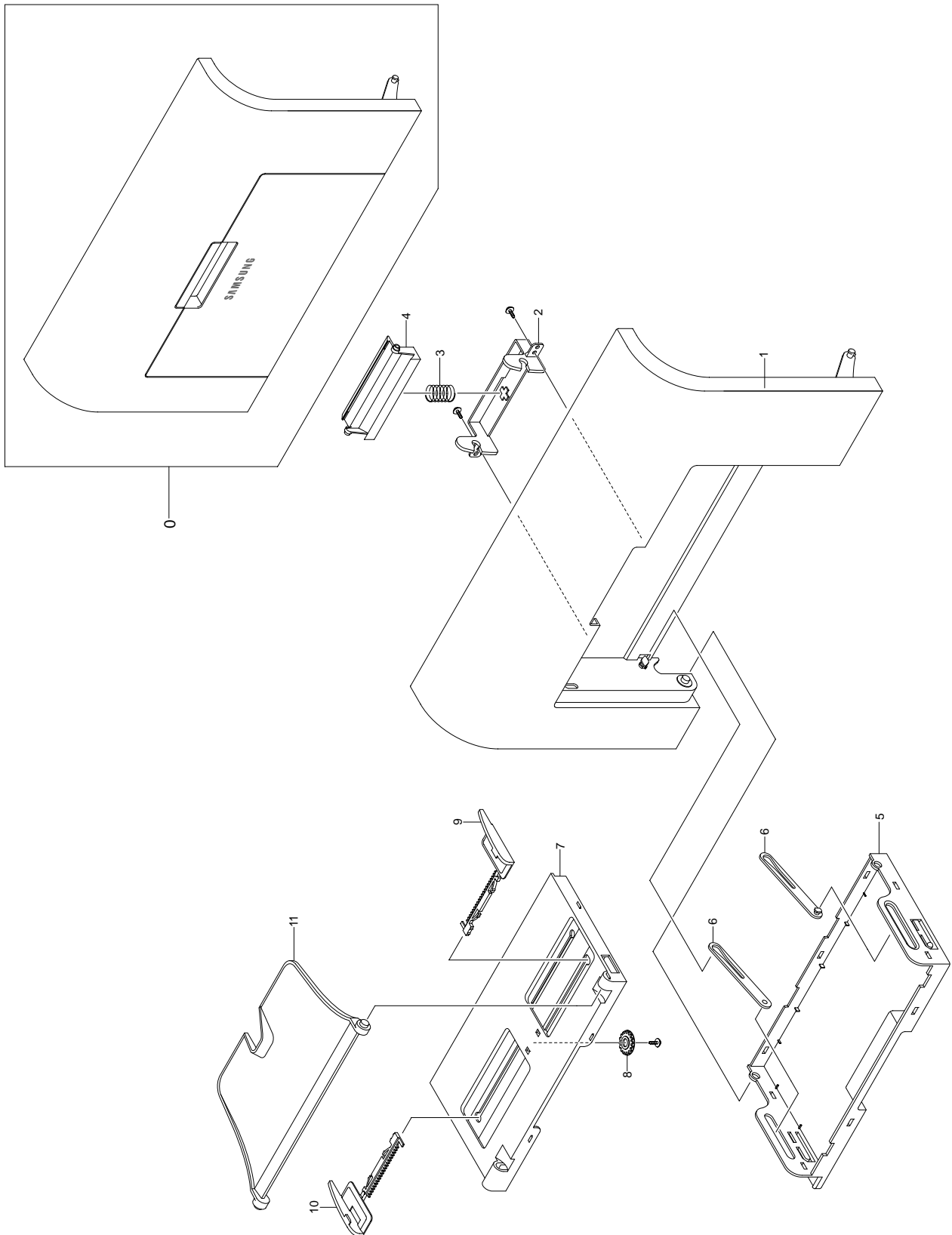


## 7.2 Cover Ass'y

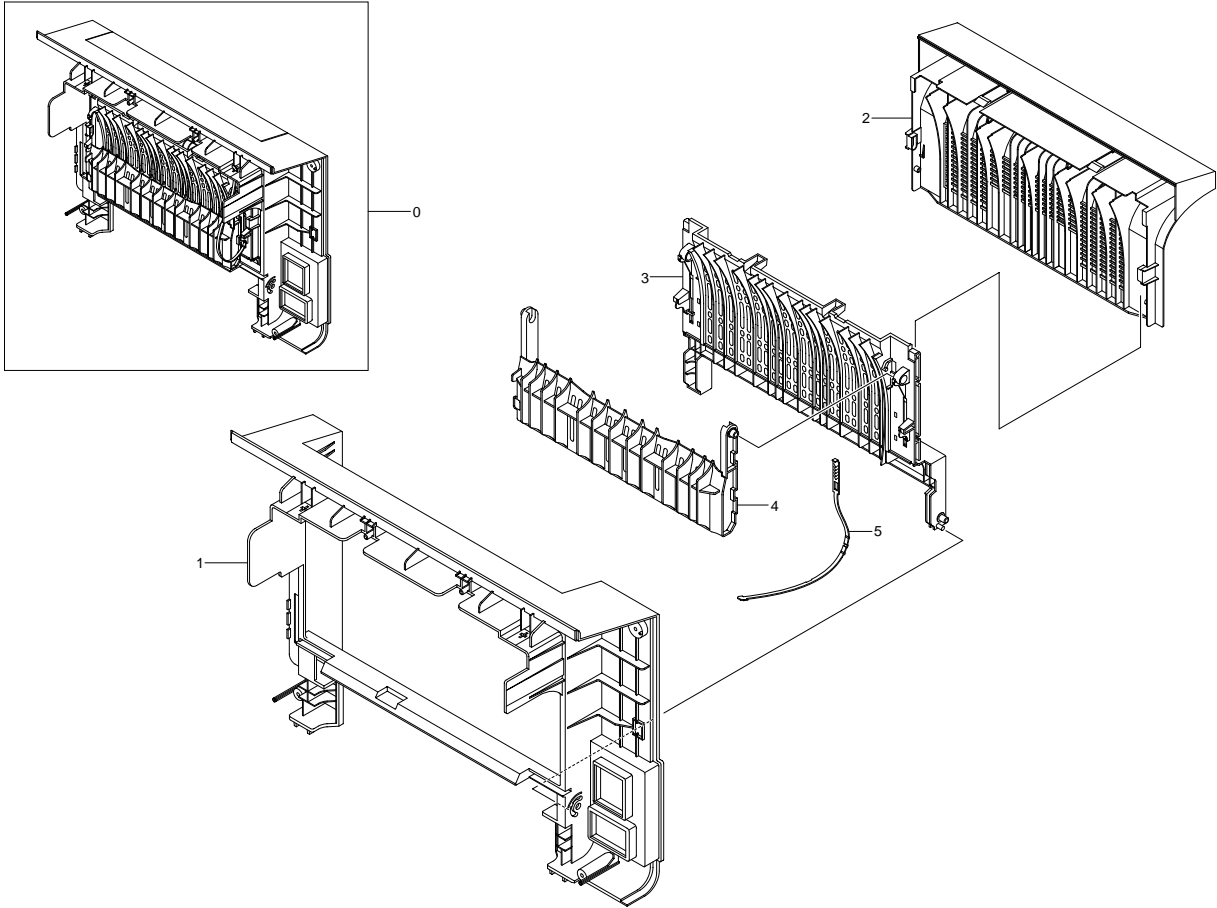


## 7.3 Front Cover Ass'y

---

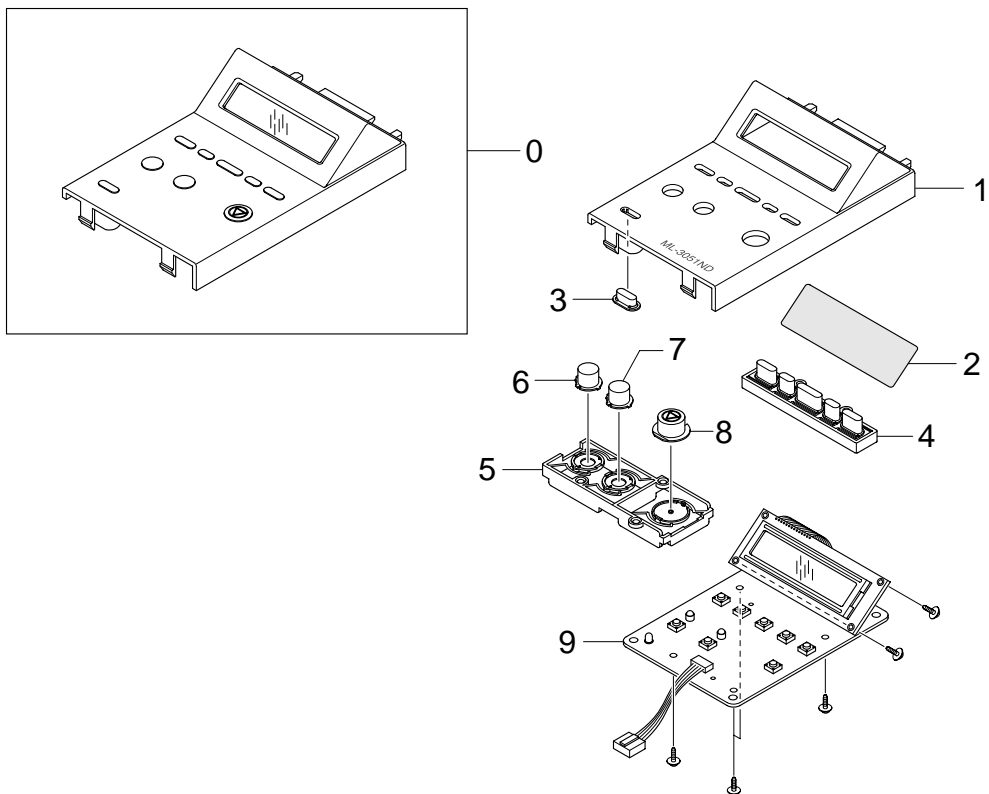


# 7.4 Rear Cover Ass'y

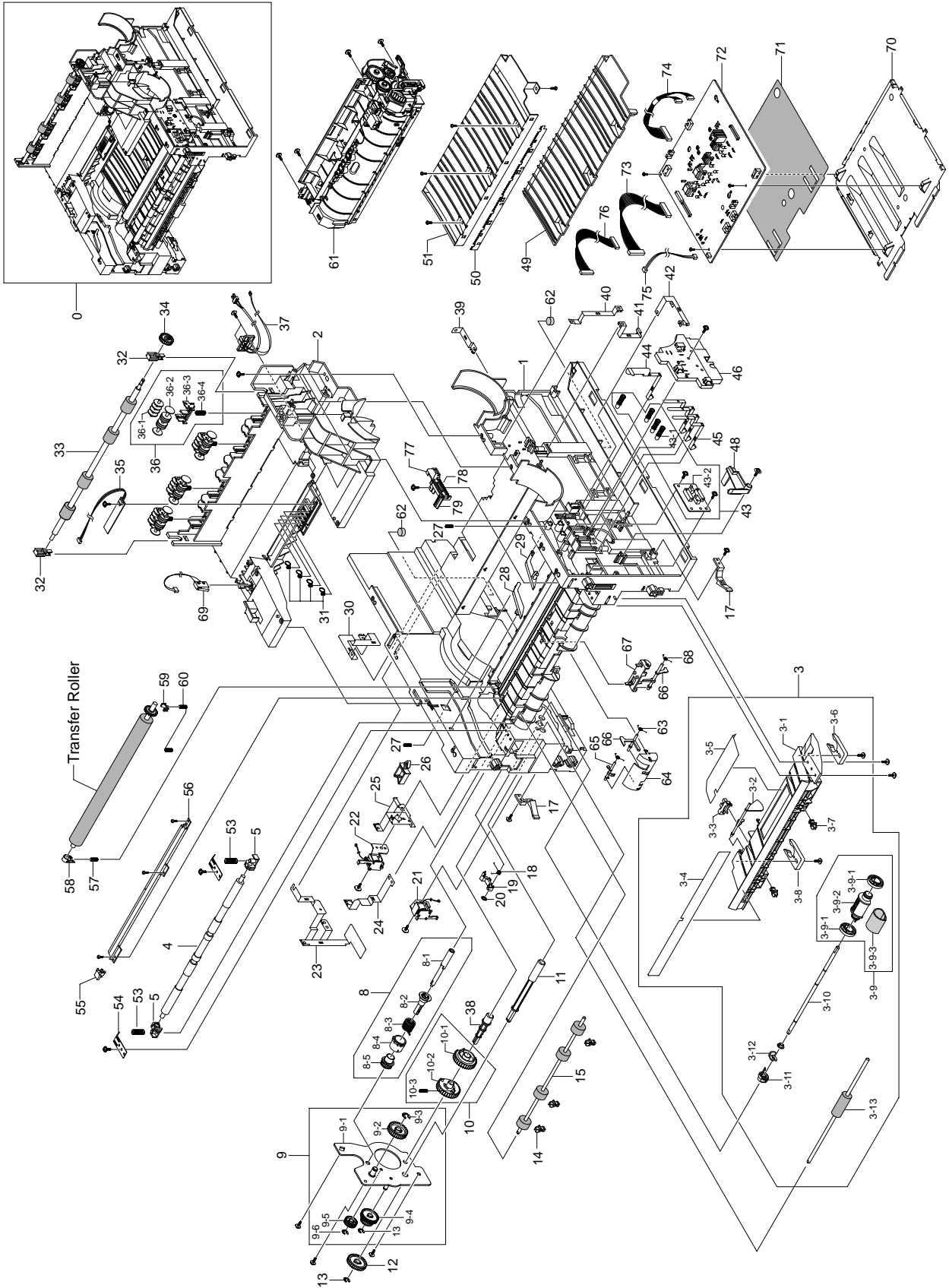


## 7.5 OPE Cover Ass'y

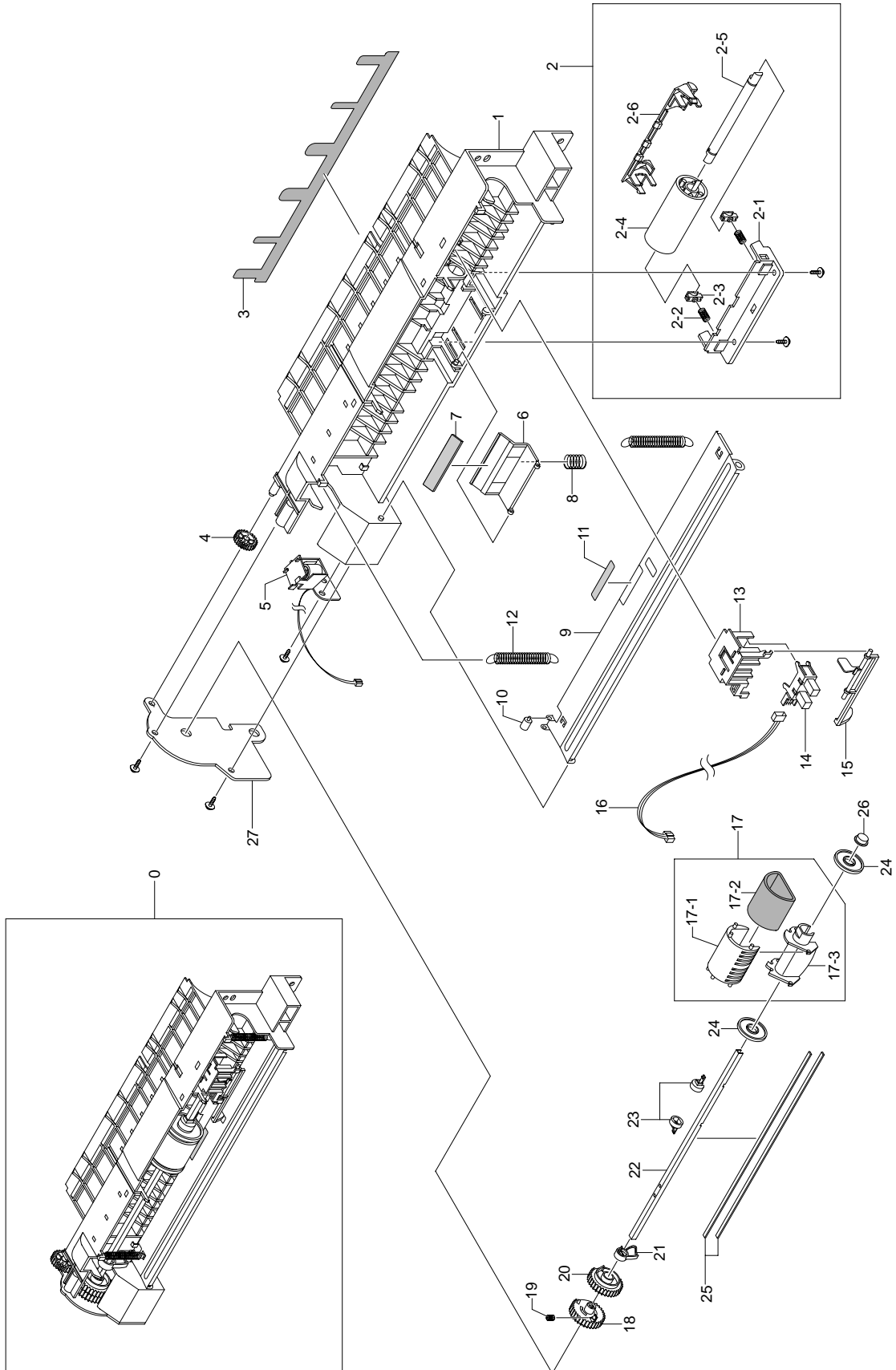
---



# 7.6 Frame

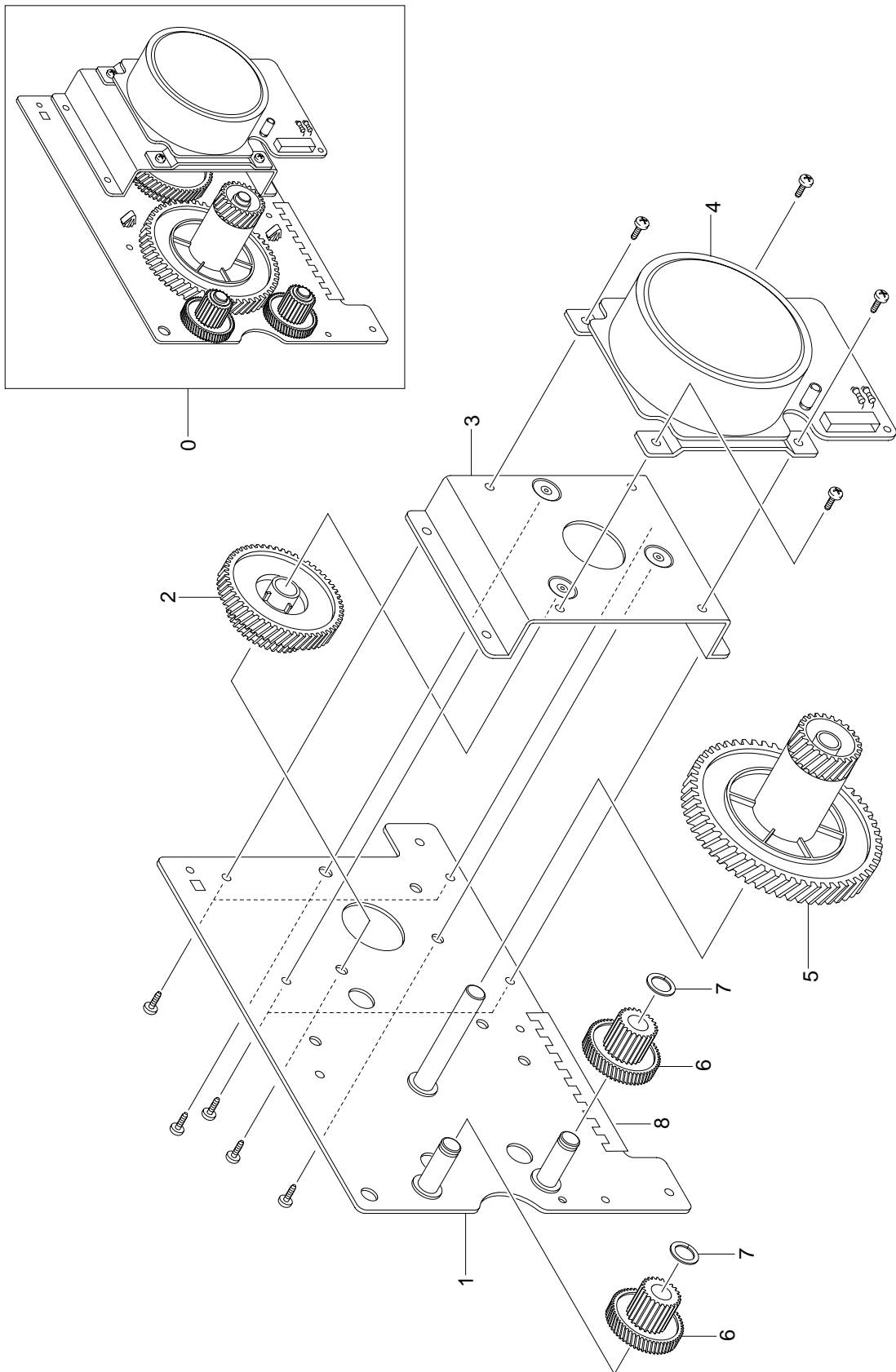


# 7.7 MP Ass'y



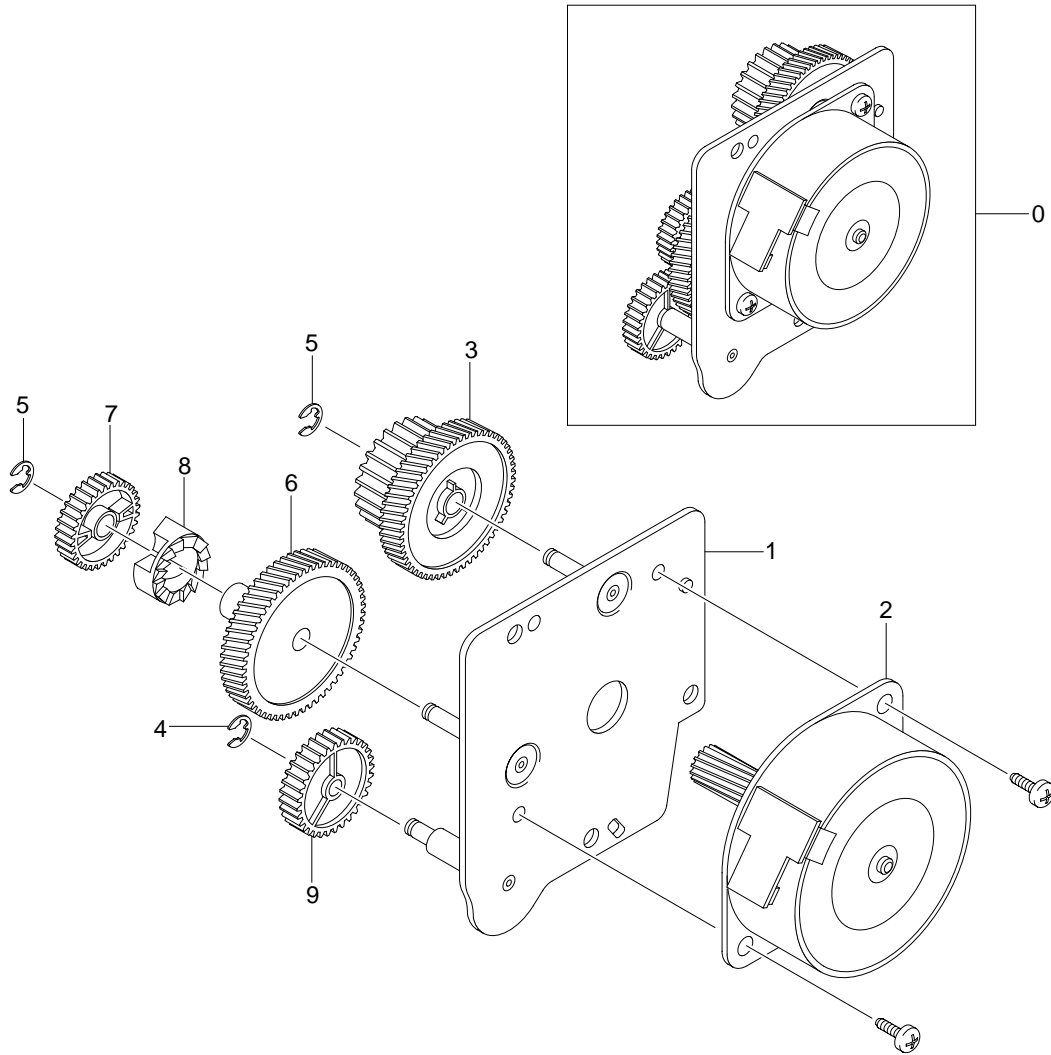


## 7.8 Main Drive Ass'y

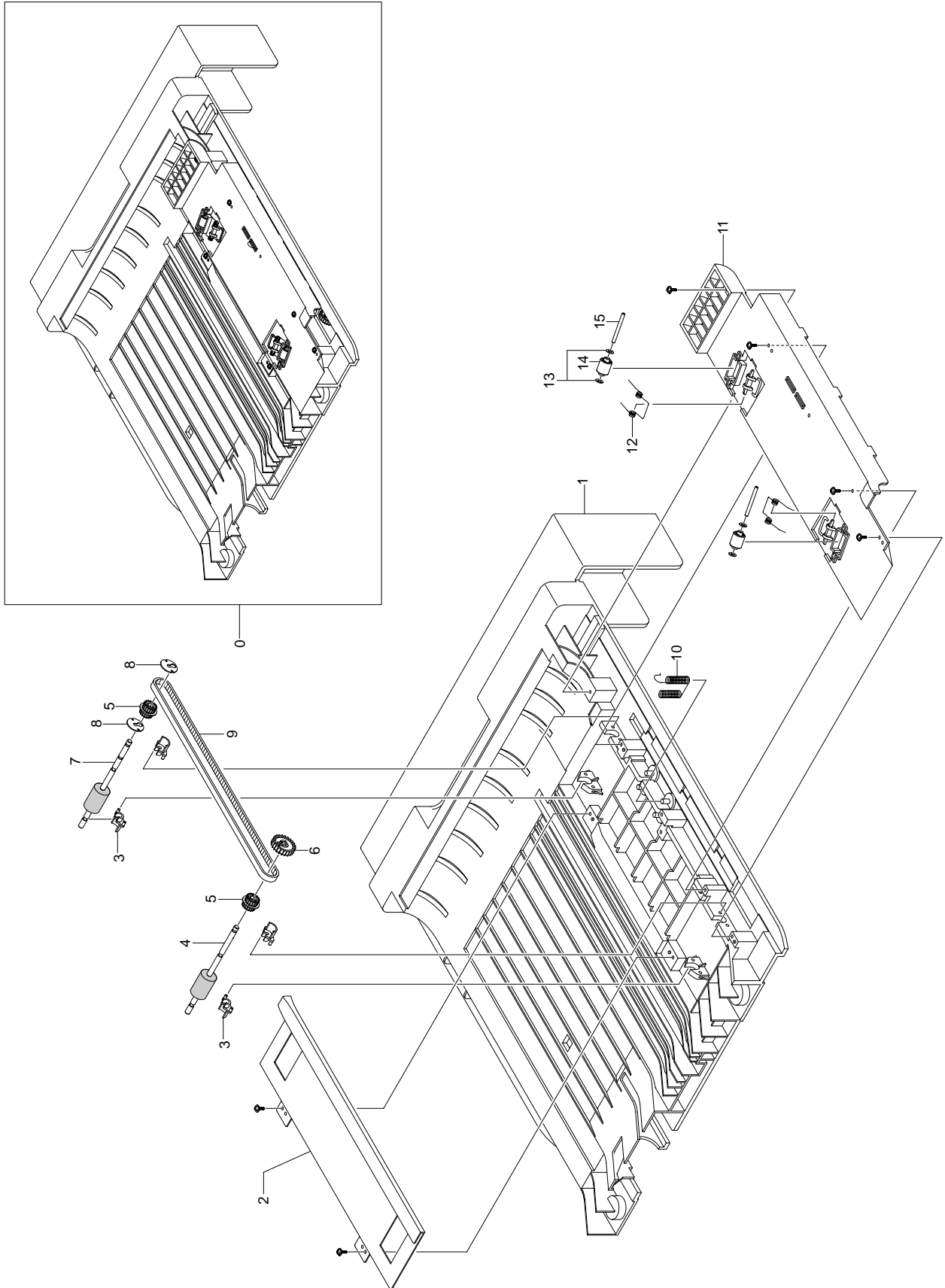


## 7.9 Fuser Drive Ass'y

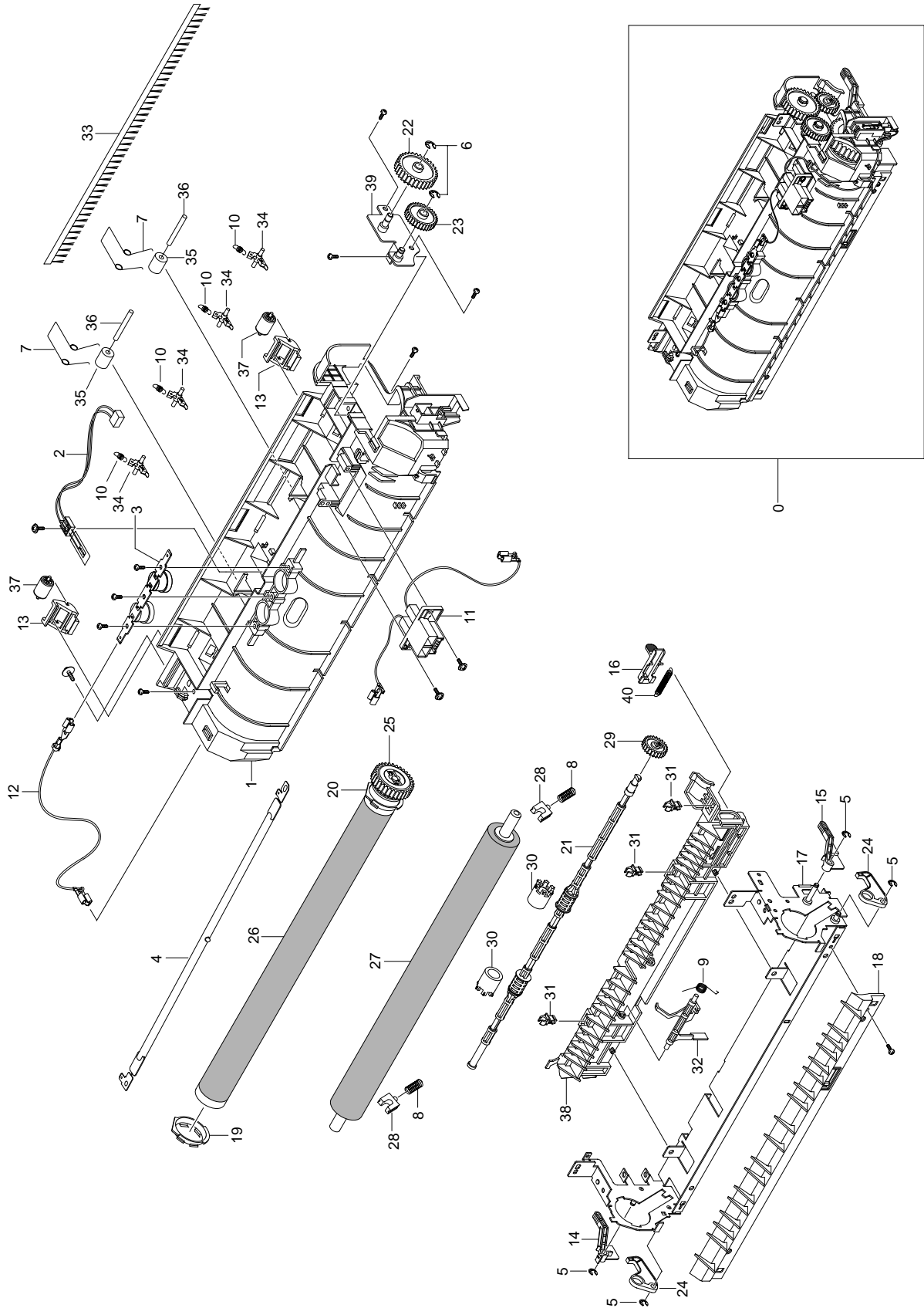
---



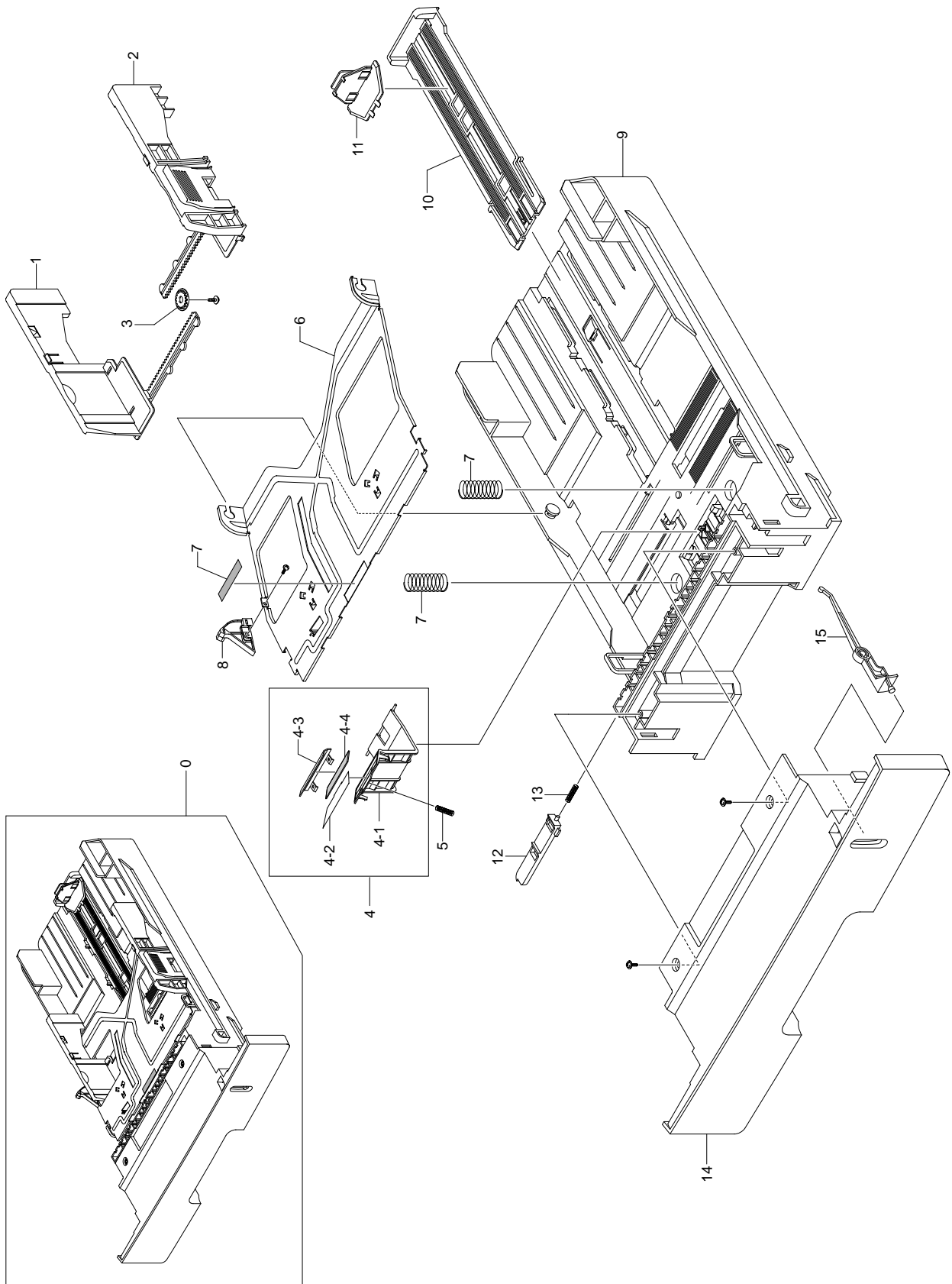
## 7.10 Duplex Unit (Optional)



# 7.11 Fuser Unit



## 7.12 Cassette Unit



## Service Parts List (ML-3050/XFA)

Service(SA:service available, SNA:service not available)

Drawer#	SEC_Code	Description	Service
7.1-1	JC96-03992A	ELA HOU-FRAME 220V	SA
7.1-2	JC96-03761A	ELA UNIT-MAIN DRIVE	SA
7.1-3	JC96-03837A	ELA HOU-MPF	SA
7.1-6	JC31-00025B	FAN-DC	SA
7.1-7	JC31-00025B	FAN-DC	SA
7.1-8	JC96-03866A	ELA HOU-FUSER DRIVE	SNA
7.1-9	JC97-02697A	MEA-SHIELD CONTROLLER	SNA
7.1-10	JC63-00962A	SHEET-INSULATOR_PBA	SNA
7.1-11	JC92-01796G	PBA MAIN-CONTROLLER	SA
7.1-11	JC92-01796G	PBA MAIN-CONTROLLER	SA
7.1-12	JC39-00533A	CBF HARNESS-LED_OPE	SA
7.1-13	JC97-02652A	MEA-TRANSFER ROLLER	SA
7.1-13-1	JC66-01181A	ROLLER-TRANSFER	SA
7.1-13-2	JC66-00395A	GEAR-TRANSFER	SA
7.1-14	JC59-00027A	UNIT-LSU	SA
7.1-15	JC97-02444A	MEA-COVER	SNA
7.1-15	JC97-02444A	MEA-COVER	SNA
7.1-16	JC96-03979A	ELA UNIT-INITIAL DEVE	SNA
7.1-17	JC97-02415A	MEA UNIT-CASSETTE	SA
7.1-24	JC39-00529A	CBF HARNESS-EXIT MTR	SA
7.1-25	JC39-00527A	CBF HARNESS-MAIN MTR	SA
7.1-26	JC97-02393C	MEA-UNIT_DUPLEX	SNA
7.1-27	JC63-00913A	SHIELD-P-SMPS	SNA
7.1-28	JC39-00523A	CBF HARNESS-AC INLET	SA
7.1-29	6502-000132	CABLE CLAMP	SA
7.1-30	JC63-00960A	SHEET-INSULATOR_SMPS	SNA
7.1-31	JC44-00090A	SMPS-PSP_TYPE3_V2C	SA
7.1-32	3903-000050	CBF-POWER CORD	SA
7.1-32	3903-000050	CBF-POWER CORD	SA
7.2-0	JC97-02444A	MEA-COVER;ML-3051ND	SNA
7.2-1	JC97-02399A	MEA-COVER MIDDLE	SA
7.2-1-1	JC63-00964A	COVER-M_MIDDLE	SNA
7.2-1-2	JC72-01339A	PMO-M-SUB ACTUATOR	SNA
7.2-1-3	JC67-00068C	CAP-M-SUB ACTUATOR	SNA
7.2-2	JC97-02442A	MEA-COVER TOP	SA
7.2-2-1	JC63-00970A	COVER-TOP	SA
7.2-2-2	JC72-01346D	PMO-STACKER RX H2	SA
7.2-2-3	JC72-01001A	PMO-SUB STACKER	SA
7.2-3	JC97-02396A	MEA-COVER FRONT	SA
7.2-4	JC97-02397A	MEA-COVER SIDE L	SA
7.2-4-1	JC63-00966A	COVER-SIDE L	SA
7.2-4-2	JC63-00967A	COVER-DIMM	SA
7.2-5	JC63-00965A	COVER-SIDE R	SA
7.2-6	JC97-02398B	MEA-COVER REAR	SA
7.2-6	JC97-02398B	MEA-COVER REAR	SA
7.2-7	JC96-03831A	ELA HOU-COVER OPE	SA

Service(SA:service available, SNA:service not available)

Drawer#	SEC_Code	Description	Service
7.3-0	JC97-02396A	MEA-COVER FRONT	SA
7.3-1	JC63-00969A	COVER-FRONT	SNA
7.3-2	JC61-01588A	HOLDER-LOCKER	SA
7.3-3	JG61-70549A	SPRING ETC-CIS(C2)	SA
7.3-4	JC64-00233A	KNOB-LOCKER	SA
7.3-5	JC63-00971A	TRAY-ASF_INPUT	SNA
7.3-6	JC63-00444A	TRAY-M-LINK_MP	SA
7.3-7	JC63-00446A	TRAY-M_COVER_MP	SNA
7.3-8	JG66-40003A	GEAR-PINION	SA
7.3-9	JC70-00479D	ADJUST-M_MP R	SNA
7.3-10	JC70-00478D	ADJUST-M_MP L	SNA
7.3-11	JC70-00478B	TRAY-M_EXIT_MP	SNA
7.4-0	JC97-02398B	MEA-COVER REAR	SA
7.4-0	JC97-02398B	MEA-COVER REAR	SA
7.4-1	JC63-00978B	COVER-REAR	SA
7.4-1	JC63-00978B	COVER-REAR	SA
7.4-2	JC63-00968A	COVER-FACE UP	SNA
7.4-3	JC63-00937A	COVER-STACKER REAR	SNA
7.4-4	JC61-01583A	GUIDE-OUTPUT FUSER	SNA
7.4-5	JC61-01653A	STOPPER-M-STRAP	SNA
7.5-0	JC96-03831A	ELA HOU-COVER OPE	SA
7.5-1	JC63-01167A	COVER-LCD	SNA
7.5-2	JC72-00672B	PCT-LCD WINDOW	SNA
7.5-3	JC64-00192A	KEY-M-BUTTON	SNA
7.5-4	JC64-00193A	KEY-M-CANCEL	SNA
7.5-5	JC67-00108A	CAP-M_LED	SNA
7.5-6	JC63-00288A	SHEET-OVERLAY BUTTON	SNA
7.5-7	JC92-01854A	PBA-LCD PANEL	SNA
7.5-8	6003-000221	SCREW-TAPTITE	SNA
7.5-9	6003-000221	SCREW-TAPTITE	SNA
7.6-0	JC96-03992A	ELA HOU-FRAME 220V	SA
7.6-1	JC61-01620A	FRAME-M_BASE	SNA
7.6-2	JC61-01621A	FRAME-M_EXIT	SNA
7.6-3	JC96-03829A	ELA HOU-GUIDE DUP F	SA
7.6-3-1	JC61-01600A	GUIDE-M_FRONT DUPLEX	SNA
7.6-3-2	JC66-01187A	LEVER-ACTUATOR EMPTY	SA
7.6-3-3	0604-001095	PHOTO-INTERRUPTER	SA
7.6-3-4	JC63-01095A	SHEET-GUIDE DUP_OUT	SNA
7.6-3-5	JC63-00992A	SHEET-GUIDE FRONT DU	SNA
7.6-3-6	JC66-01170A	CAM-SHAFT PICK UP	SNA
7.6-3-7	JC72-00382B	PMO-BUSHING FEED	SA
7.6-3-8	JC61-01367A	FIXER-M_E RING 4PI	SNA
7.6-3-9	JC97-02441A	MEA-ROLLER PICK UP	SA
7.6-3-9-1	JC66-01169A	ROLLER-IDLE PICK UP	SA
7.6-3-9-2	JC61-01601A	HOUSING-M_PICK UP	SA
7.6-3-9-3	JC66-01168A	ROLLER-PICK UP	SA
7.6-3-10	JC66-01171A	SHAFT-PICK UP	SNA
7.6-3-11	JC72-41364A	PMO-BUSHING_P/U,MP	SA
7.6-3-12	JC66-00050A	CAM-CATCH	SA
7.6-3-13	JC66-01173A	ROLLER-FEED	SA
7.6-4	JC66-00527A	SHAFT-FEED IDLE	SA
7.6-5	JC61-00585A	BUSH-M-FEED IDLE	SA

Service(SA:service available, SNA:service not available)

Drawer#	SEC_Code	Description	Service
7.6-8	JC97-01788A	MEA UNIT-CLUTCH	SA
7.6-8-1	JC66-00398A	SHAFT-FEED	SA
7.6-8-2	JC72-00981A	PMO-HUB CLUTCH	SNA
7.6-8-3	6107-001159	SPRING-TS	SA
7.6-8-3	6107-001159	SPRING-TS	SA
7.6-8-4	JC72-00978A	PMO-COLLAR_SPRING	SA
7.6-8-5	JC66-00393A	GEAR-FEED 1	SA
7.6-9	JC97-02394A	MEA UNIT-BRACKET FEED	SNA
7.6-9-1	JC61-01582A	BRACKET-P-FEED	SNA
7.6-9-2	JC66-01166A	GEAR-IDLE Z29 HELICAL	SNA
7.6-9-3	6044-000125	RING-E	SA
7.6-9-4	JC66-01164A	GEAR-RETARD 39/19	SNA
7.6-9-5	JC66-00484A	GEAR-T2 IDEL_Z27	SA
7.6-9-6	6044-000125	RING-E	SA
7.6-10	JC97-02648A	MEA UNIT-GEAR PICK UP	SA
7.6-10-1	JC66-01183A	GEAR-PICK UP_INNER	SNA
7.6-10-2	JC66-01184A	GEAR-PICK UP_OUTER	SNA
7.6-10-3	6107-001166	SPRING-CS	SA
7.6-11	JC66-01160A	SHAFT-M_FEED2	SNA
7.6-12	JC66-01165A	GEAR-FEED2 Z27	SNA
7.6-13	6044-000001	RING-CS	SNA
7.6-14	JC72-00382B	PMO-BUSHING FEED	SA
7.6-15	JC66-00526A	ROLLER-FEED ROLLER 1	SA
7.6-17	JC72-00983A	PMO-LOCKER CST	SA
7.6-18	6107-001159	SPRING-TS	SA
7.6-19	JC66-00377A	CAM-M-PICK_UP	SA
7.6-20	6044-000001	RING-CS	SNA
7.6-21	JC33-00010A	SOLENOID-HB (MANUAL)	SA
7.6-22	JC33-00014A	SOLENOID-FEED ROCKY2	SA
7.6-23	JC63-00917A	GROUND-P-DRIVE	SNA
7.6-24	JC63-00923A	GROUND-P-PUSH BUSHING	SNA
7.6-25	JC63-00922A	GROUND-P-DRIVE2	SNA
7.6-26	6502-000132	CABLE CLAMP	SA
7.6-27	JC61-70932A	SPRING ETC-GUIDE DEVE	SA
7.6-28	JC72-00984A	PMO-PLATE GUIDE DEVE_L	SA
7.6-29	JC72-00985A	PMO-PLATE GUIDE DEVE_R	SA
7.6-30	JC63-00926A	GROUND-P-SHIELD	SNA
7.6-31	JC65-00019A	TERMINAL-CRUM	SA
7.6-32	JC61-00829A	HOLDER-BEARING EXIT F/DOWN	SA
7.6-33	JC66-01196A	ROLLER-EXIT F/DOWN	SNA
7.6-34	JC66-40209A	GEAR-EXIT	SA
7.6-35	JC92-01829A	PBA SUB-TERMINAL	SA
7.6-36	JC97-01034A	MEA RACK-EXIT ROLLER	SA
7.6-36-1	JC72-41008A	PMO-ROLLER FD R	SA
7.6-36-2	JC72-41007A	PMO-ROLLER FD F	SA
7.6-36-3	JC72-41006A	PMO-HOLDER EXIT ROLL	SA
7.6-36-4	JC61-70911A	SPRING ETC-EXIT ROLL FD	SA
7.6-37	JC39-00522A	CBF HARNESS-FUSER AC	SA
7.6-38	JC61-01602A	HOLDER-M_PICK UP	SNA
7.6-39	JC63-00920A	GROUND-P-FUSER	SNA
7.6-40	JC63-00925A	GROUND-P-MOTOR FUSER	SNA
7.6-41	JC63-00924A	GROUND-P-SHIELD SMPS	SNA



Service(SA:service available, SNA:service not available)

Drawer#	SEC_Code	Description	Service
7.6-42	JC63-00921A	GROUND-P-GUIDE TR	SNA
7.6-43	JC75-00049A	MEC-TERMINAL	SA
7.6-43-1	JC61-00035A	SPRING ETC-HV APOLLO	SNA
7.6-43-2	JC70-00050A	IPR-TERMINAL	SNA
7.6-44	JC65-00014A	TERMINAL-P-HV CR	SNA
7.6-45	JC70-00312A	IPR-P-TERMINAL CON	SA
7.6-46	JC61-01584A	HOUSING-M_TERMINAL	SNA
7.6-47	JC92-01828A	PBA SUB-CONNECTION	SA
7.6-48	JC72-00974A	PMO-ACTUATOR CVR OPEN	SA
7.6-49	JC61-01746A	GUIDE-TR RIB	SNA
7.6-50	JC61-00604B	PLATE-E_SAW	SA
7.6-51	JC61-00607A	GUIDE-P-TR	SA
7.6-53	JC61-70958A	SPRING ETC-TR	SA
7.6-54	JC61-00914A	PLATE-P-PUSH BUSHING	SNA
7.6-55	JC61-00907A	HOLDER-M-PTL R2	SA
7.6-56	JC70-00307A	IPR-P-EARTH TRANSFER	SA
7.6-57	JC61-00047A	SPRING ETC-TR L HAWK	SA
7.6-58	JC61-00588A	BUSH-M-TR L	SA
7.6-59	JC72-00102A	PMO-BUSHING_TR(L)	SA
7.6-60	JC65-00018A	TERMINAL-TR	SNA
7.6-61	JC96-03965A	ELA UNIT-FUSER_220V	SA
7.6-62	JC61-00835A	FOOT-BACK	SA
7.6-63	6107-001159	SPRING-TS	SA
7.6-64	JC61-01619A	HOLDER-M_ACT REGI	SNA
7.6-65	JC66-01191A	LEVER-M_ACTUATOR REGI	SNA
7.6-66	JC66-01190A	LEVER-M_ACT DUP OUT	SNA
7.6-67	JC61-01618A	HOLDER-M_ACT FEED	SNA
7.6-69	JC39-00524A	CBF HARNESS-LSU S/W	SA
7.6-70	JC63-00914A	SHIELD-P-HVPS	SNA
7.6-71	JC63-00961A	SHEET-INSULATOR_HVPS	SNA
7.6-72	JC44-00107A	HVPS-ELBERT	SA
7.6-73	JC39-00519A	CBF HARNESS-SMPS	SA
7.6-74	JC39-00518A	CBF HARNESS-ENGINE	SA
7.6-75	JC39-00528A	CBF HARNESS-PAPER EMP	SA
7.6-76	JC39-00526A	CBF HARNESS-DUPLEX	SA
7.6-77	JC61-01623A	GUIDE-M HOLDER TR	SNA
7.6-78	6107-001237	RING-ES	SNA
7.6-79	JC61-01622A	HOLDER-M_TR	SNA
7.7-0	JC96-03837A	ELA HOU-MPF	SA
7.7-1	JC61-01603A	FRAME-M_MP	SNA
7.7-2	JC97-02443A	MEA-IDLE FEED	SNA
7.7-2-1	JC61-01604A	HOLDER-M_IDLE FEED	SNA
7.7-2-2	JC61-00484A	SPRING ETC-EXIT LOWER IDLE	SA
7.7-2-3	JC61-01605A	HOLDER-M_SHAFT IDLE	SNA
7.7-2-4	JC66-01186A	ROLLER-IDLE FEED	SNA
7.7-2-5	JC66-01172A	SHAFT-IDLE FEED	SNA
7.7-2-6	JC63-00997A	COVER-M_IDLE FEED	SNA
7.7-3	JC63-01094A	SHEET-GUIDE MP	SA
7.7-4	JC66-00396A	GEAR-IDLE 23	SA
7.7-5	JC33-00015A	SOLENOID-MP	SA
7.7-6	JC61-00924A	HOLDER-M-PAD_MP	SA
7.7-7	JC73-00140A	RPR-FRICTION PAD	SA

Service(SA:service available, SNA:service not available)

Drawer#	SEC_Code	Description	Service
7.7-8	JC61-70911A	SPRING ETC-EXIT ROLL FD	SA
7.7-9	JC61-00927A	PLATE-P-KNOCK UP_MP	SNA
7.7-10	JC72-00761A	PMO-ROLLER CAM.MP	SA
7.7-11	JC73-00141A	RPR-PAD CASSETTE	SA
7.7-12	6107-001237	SPRING-ES	SNA
7.7-13	JC61-00926A	HOLDER-M-SENSOR_MP	SA
7.7-14	0604-001095	PHOTO-INTERRUPTER	SA
7.7-15	JC72-01338A	PMO-M-ACT EMPTY MP	SA
7.7-16	JC39-00365A	CBF HARNESS-MPF SEN	SA
7.7-17	JC97-02034A	MEA-PICK UP_MP	SA
7.7-17-1	JC73-00194A	RUBBER-PICK UP MP	SA
7.7-17-2	JC61-00925A	HOUSING-M_PICK UP_MP	SA
7.7-17-3	JC61-00910A	HOUSING-M-PICK UP2_R2	SA
7.7-18	JC66-00710A	GEAR-M-PICK UP_MP	SA
7.7-19	6107-001166	SPRING-CS	SA
7.7-20	JC66-00709A	GEAR-M-HOLDER_MP	SA
7.7-21	JC66-01205A	CAM-M_PICK UP MP	SA
7.7-22	JC66-00399A	SHAFT-P-PICK_UP	SA
7.7-23	JC61-00915A	STOPPER-M-PICK UP_R2	SA
7.7-24	JC72-00982A	PMO-IDLE PICK_UP	SA
7.7-25	JC66-00720A	SHAFT-P-CORE	SA
7.7-26	JC61-00587A	BUSH-M-PICK_UP R	SA
7.7-27	JC61-00932A	BRACKET-P-PICKUP_MP	SA
7.8-0	JC96-03761A	ELA UNIT-MAIN DRIVE	SA
7.8-1	JC31-00047A	MOTOR DC-BLDC MAIN	SA
7.8-2	JC61-01593A	BRACKET-P-GEAR MAIN	SNA
7.8-3	JC61-01597A	BRACKET-P-MOTOR MAIN	SNA
7.8-4	JC66-01156A	GEAR-OPC RDCN 93/61	SNA
7.8-5	JC66-01157A	GEAR-OPC DRV 113/33	SNA
7.8-6	JC66-01162A	GEAR-FEED RDCN 55/18	SNA
7.8-7	6031-000023	WASHER-PLAIN	SA
7.8-8	6302-001056	GASKET	SNA
7.9-0	JC96-03866A	ELA HOU-FUSER DRIVE	SNA
7.9-1	JC61-01598A	BRACKET-P-FUSER EXIT	SNA
7.9-2	JC31-00037E	MOTOR STEP-MAIN	SA
7.9-3	JC66-01158A	GEAR-EXIT RDCN 87/24	SNA
7.9-6	JC66-01163A	GEAR-FUSER RDCN IN 95	SNA
7.9-7	JC66-00417A	GEAR-RDCN FUSER OUT	SA
7.9-8	JC66-00340A	GEAR-HUB CLUTCH	SA
7.9-9	JC66-01210A	GEAR-FUSER IDLE FR	SA
7.10-0	JC97-02393C	MEA-UNIT_DUPLEX	SNA
7.10-1	JC61-01594C	FRAME-DUP	SNA
7.10-2	JC61-01596A	BRACKET-P-ALIGN DUP	SNA
7.10-3	JC61-00665A	BUSH-M-FEED, DUP	SNA
7.10-4	JC96-03662B	ELA UNIT-ROLLER_DUP2	SNA
7.10-5	JC66-00899A	PULLEY-18_DUP	SNA
7.10-6	JC66-00038A	GEAR-EXIT F/DOWN	SNA
7.10-7	JC96-03662A	ELA UNIT-ROLLER_DUP	SNA
7.10-8	JC66-00900A	PULLEY-M-18-DUMMY_DUP	SNA
7.10-10	JC65-00017A	TERMINAL-P-GND DUP	SNA
7.10-11	JC61-01595A	GUIDE-M_UPPER DUP	SNA
7.10-12	6107-001159	SPRING-TS	SA

Service(SA:service available, SNA:service not available)

Drawer#	SEC_Code	Description	Service
7.10-13	JK72-00058A	PCT-SILP WASHER	SNA
7.10-14	JC66-00896A	ROLLER-M-IDLE_DUP	SNA
7.10-15	JC66-00444A	SHAFT-IDLE ROLL, DUP	SNA
7.10-9	JC66-20901A	BELT-TIMMING	SNA
7.11-0	JC96-03964A	ELA UNIT-FUSER_110V	SNA
7.11-1	JC63-01005A	COVER-M_FUSER	SNA
7.11-2	1404-001364	THERMISTOR-NTC ASSY	SA
7.11-3	4712-001031	THERMOSTAT	SA
7.11-4	4713-001208	LAMP-HALOGEN	SA
7.11-4	4713-001208	LAMP-HALOGEN	SA
7.11-5	6044-000125	RING-E	SA
7.11-6	6044-000125	RING-E	SA
7.11-7	6107-001159	SPRING-TS	SA
7.11-8	6107-001166	SPRING-CS	SA
7.11-9	JC61-70903A	SPRING ETC-ACTUATOR	SA
7.11-10	6107-001237	SPRING-ES	SNA
7.11-11	JC39-00520A	FUSER-CON HARNESS	SA
7.11-12	JC39-00521A	CBF HARNESS-FUSER REC	SNA
7.11-12	JC39-00609A	CBF HARNESS-FUSER R_2	SA
7.11-13	JC61-00785A	HOLDER-M-IDLE ROLLER	SA
7.11-14	JC61-01305A	HOLDER-M_JAM L	SNA
7.11-15	JC61-01306A	HOLDER-M_JAM R	SNA
7.11-16	JC61-01625A	HOLDER-M_REAR_LEVER	SNA
7.11-17	JC61-01632A	FRAME-P-FUSER	SNA
7.11-18	JC61-01628A	GUIDE-M_INPUT	SNA
7.11-19	JC61-01629A	BUSH-M_HR R	SNA
7.11-20	JC61-01631A	BUSH-M_HR L_LAMP	SNA
7.11-21	JC66-00402A	SHAFT-M-EXIT_F/UP	SA
7.11-22	JC66-00425A	GEAR-IDLE 33	SA
7.11-23	JC66-00396A	GEAR-IDLE 23	SA
7.11-24	JC66-00957A	LEVER-M_LINK JAM	SNA
7.11-25	JC66-01192A	GEAR-M_FUSER	SNA
7.11-26	JC66-01194A	ROLLER-HEAT	SA
7.11-27	JC66-01195A	ROLLER-PRESSURE	SA
7.11-28	JC66-10901A	BEARING-PRESSURE/R	SA
7.11-29	JC66-40209A	GEAR-EXIT	SA
7.11-30	JC70-20901A	IEX-SHAFT IDLE,F/UP	SA
7.11-31	JC72-00382A	PMO-BUSHING TX	SNA
7.11-32	JC66-01284A	ACTUATOR-EXIT	SA
7.11-33	JC75-00095A	MEC-BRUSH ANTISTATIC	SA
7.11-34	JC72-41128B	PMO-GUIDE CLAW GREEN	SA
7.11-35	JC73-40909B	RMO-RUBBER EXIT_F/UP	SNA
7.11-36	JC72-20902A	PEX-ROLLER F/UP(2)	SA
7.11-37	JC72-40981A	PMO-ROLLER UPPER DP	SA
7.11-38	JC61-01633A	GUIDE-M_REAR	SNA
7.11-39	JC61-01627A	BRACKET-P-FUSER	SNA
7.12-0	JC97-02415A	MEA UNIT-CASSETTE	SA
7.12-1	JC70-00300H	ADJUST-_M_CST L HB2	SNA
7.12-2	JC70-00301H	ADJUST-_M_CST R HB2	SNA
7.12-3	JG66-40003A	GEAR-PINION	SA
7.12-4	JC97-01931A	MEA UNIT-HOLDER PAD	SA
7.12-4-1	JC61-00580A	HOLDER-M-PAD	SA

Service(SA:service available, SNA:service not available)

<b>Drawer#</b>	<b>SEC_Code</b>	<b>Description</b>	<b>Service</b>
7.12-4-2	JC63-00407A	SHEET-HOLDER PAD R2	SNA
7.12-4-3	JC70-00314A	IPR-PLATE PAD	SA
7.12-5	JC61-70911A	SPRING ETC-EXIT ROLL FD	SA
7.12-6	JC61-00603A	PLATE-P-KNOCK_UP	SNA
7.12-7	6107-001166	SPRING-CS	SA
7.12-8	JC66-00719A	CAM-M-KNOCK UP	SNA
7.12-9	JC61-00876A	FRAME-M_CASSETTE	SNA
7.12-10	JC61-00918E	GUIDE-M_EXT L2_C8726	SNA
7.12-11	JC72-00971H	PMO-_M_EXTENSION SMALL	SNA
7.12-12	JC72-00972A	PMO-PLATE_LOCKER	SA
7.12-13	JG61-70531A	SPRING ETC-LOCKER,PLATE	SA
7.12-14	JC63-00974B	COVER-SUB CST	SNA
7.12-15	JC64-00253B	INDICATOR-CASSETTE	SNA