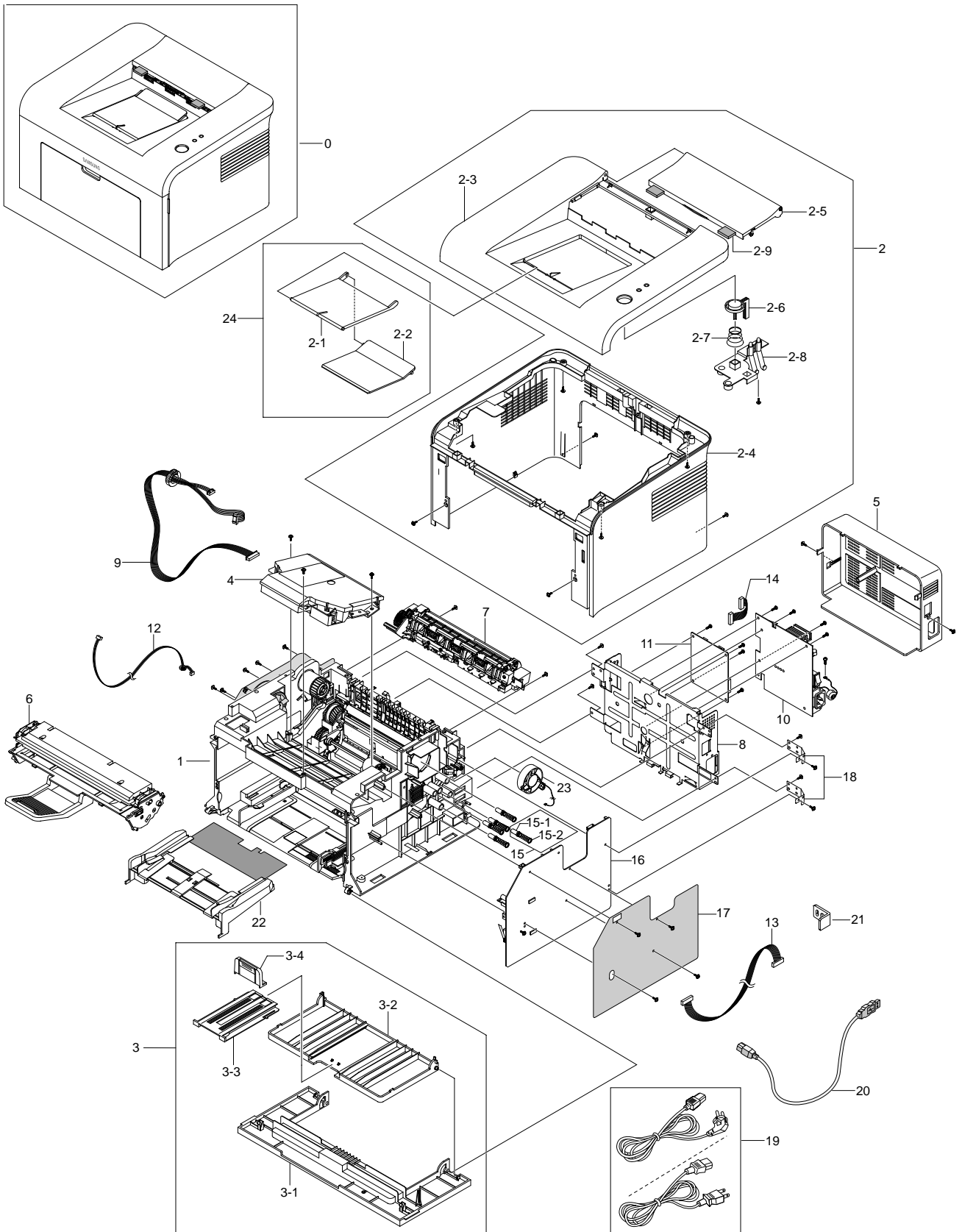


7. Exploded Views and Parts List (ML-2010P/SEE)

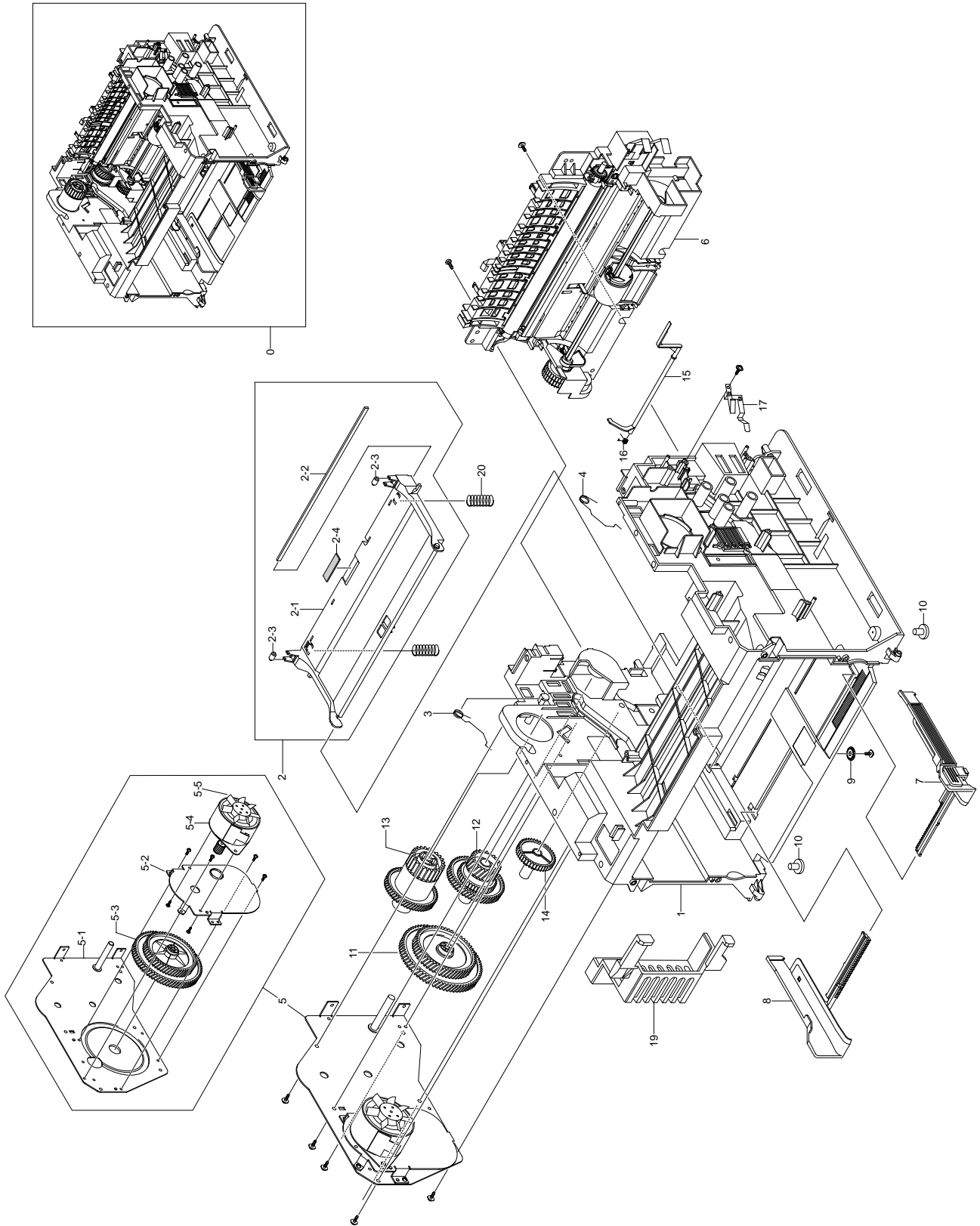
Contents

7.1	Main Assembly	_____
7.2	Frame Assembly	_____
7.3	Fuser Unit	_____
7.4	Paper Path Assembly	_____
7.5	MP Tray Assembly	_____

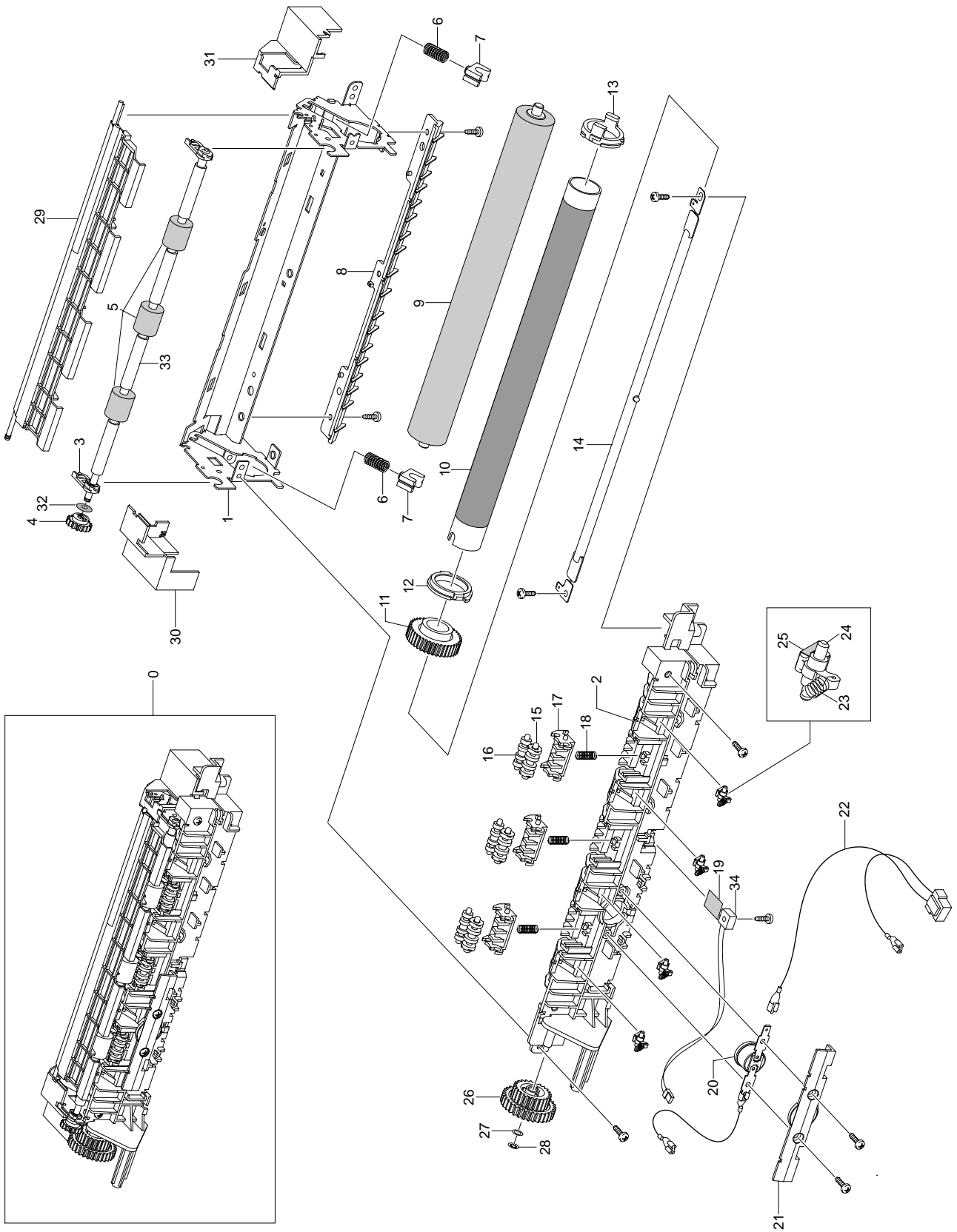
7.1 Main Assembly



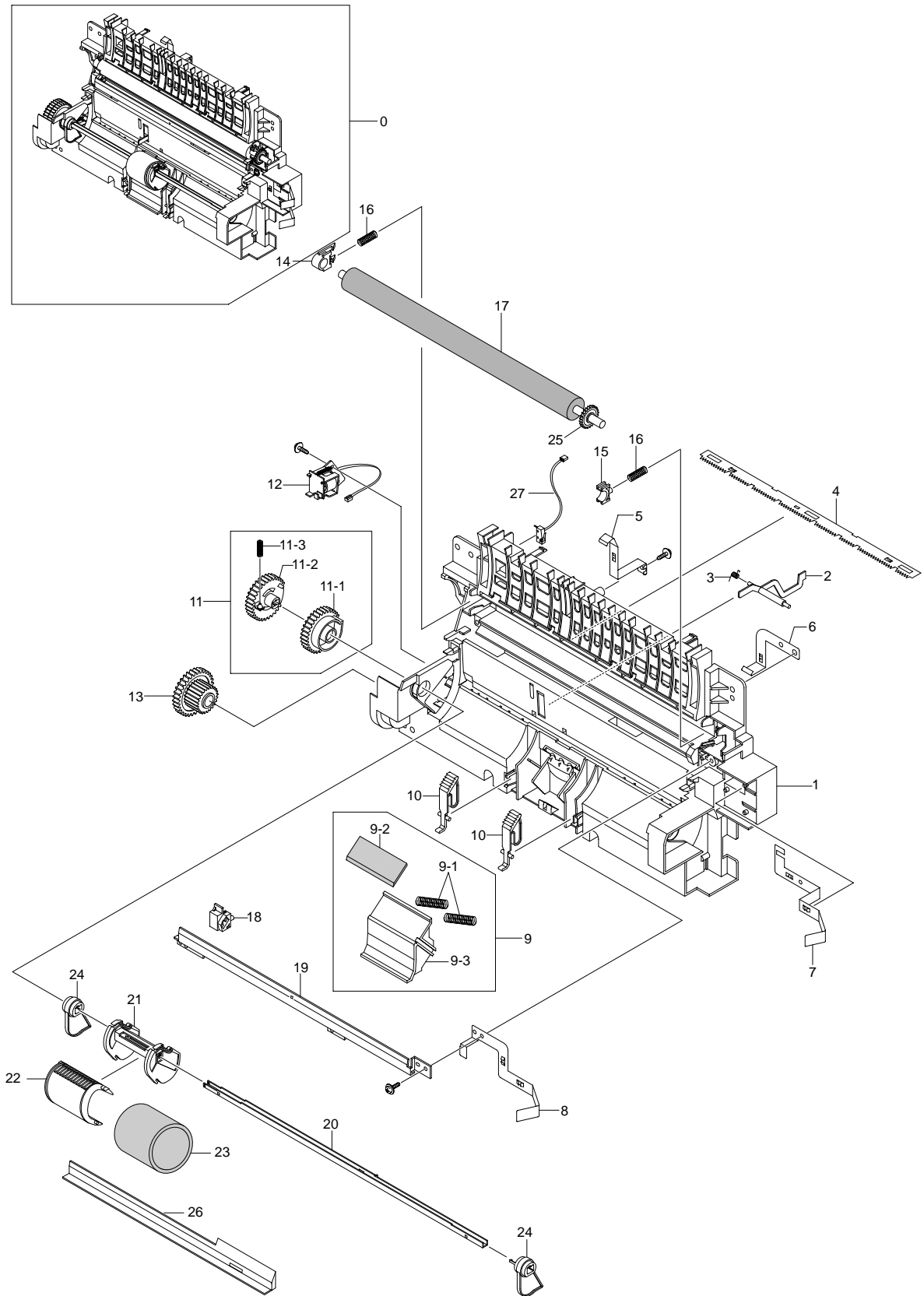
7.2 Frame Assembly



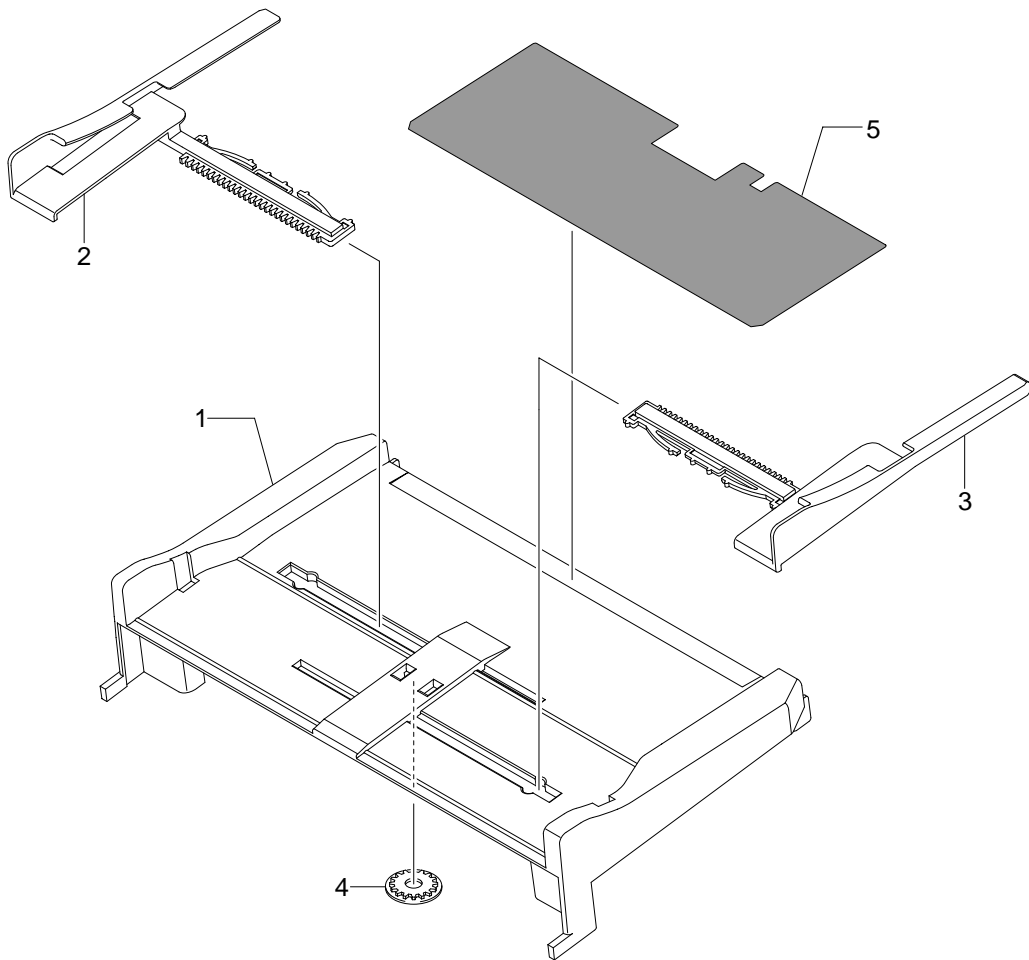
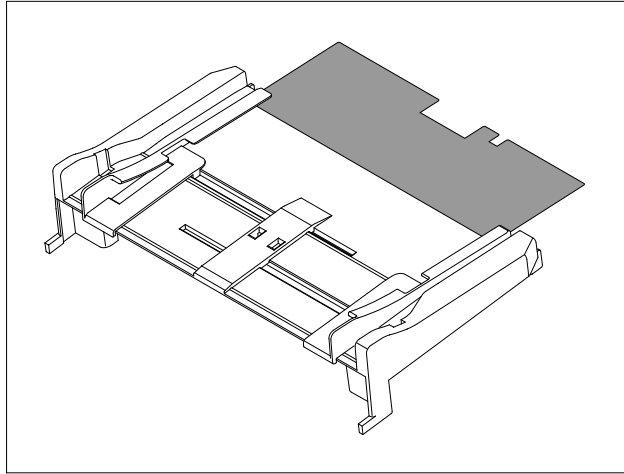
7.3 Fuser Unit



7.4 Paper Path Unit



7.5 MP Tray Assembly



Service Parts List(Model: ML-2010P/SEE)

SA : SERVICE AVAILABLE SNA : SERVICE not AVAILABLE DNA : DELIVERY not AVAILABLE

Drawer #	SEC Code	Description & Specification	Location	Service
7.1-1	JC96-03349C	ELA UNIT-FRAME_LOW_SN;ML-2010,SAMSUNG,-,-		SA
7.1-2	JC97-02329G	MEA-COVER MAIN;ML-2010P,SAMSUNG,-,-,-,-		SA
7.1-2-1	JC61-01155A	GUIDE-M-STACKER_RX;ML-1610,HIPS,2,108,11		SA
7.1-2-2	JC61-01156A	GUIDE-M-SUB STACKER;ML-1610,HIPS,2,82,10		SA
7.1-2-3	JC63-00618P	COVER-M_TOP;ML-2010P/SEE,HIPS,2,3,254.5,		SNA
7.1-2-4	JC63-00619A	COVER-M-MAIN;ML-1610,HIPS,2,252,352,HB,-		SNA
7.1-2-5	JC63-00620A	COVER-M-JAM;ML-1610,HIPS,2,78,227.4,HB,-		SA
7.1-2-6	JC64-00184A	KEY-M-ONLINE;ML-1610,ABS,L29*H21.5*PHI21		SNA
7.1-2-7	JC66-00816A	LEVER-M-ACTUATOR JAM;ML-1610,PC,-,18.5,6	A1013	SA
7.1-2-8	JC67-00079A	LENS-M_LED;ML-1610,PMMA,TRANSPARENT,L65.		SNA
7.1-2-9	JC72-01001A	PMO-SUB STACKER;ML-1400,PC,-,32*4.8*25.5	Z5092	SA
7.1-3	JC97-02176A	MEA UNIT-COVER FRONT;ML-1610,SAMSUNG,-,-		SA
7.1-3-1	JC63-00616A	COVER-M_FRONT(DEVE);ML-1610,HIPS,2.5,139		SNA
7.1-3-2	JC63-00617A	TRAY-M-CASSETTE;ML-1610,HIPS,2,277,108,H		SNA
7.1-3-3	JC63-00628A	TRAY-M-EXTENSION LARGE;ML-1610,HIPS,2,7		SNA
7.1-3-4	JC63-00722A	SHEET-HVPS;ML-1610,PP PP,T0.254,155,201,		SA
7.1-4	JC59-00023A	UNIT-LSU;ML-1610,-,-,16,20PPM,1 LIGHT SO	L7012	SA
7.1-5	JC63-00621B	COVER-M_SMPS_PRL;ML-1610,ABS,2,157,245.9		SNA
7.1-6	JC96-03354A	ELA UNIT-DEV KIT 1K;ML-1610,SEC,-,-,INIT		SNA
7.1-7	JC96-03401A	ELA HOU-FUSER 220V;ML-1610,SAMSUNG,-,FUS		SA
7.1-8	JC63-00632A	SHIELD-P-ENGINE;ML-1610,SECC,T0.8,141.2,		SA
7.1-9	JC39-00481A	CBF HARNESS-LSU;ML-2010,#26,UL 1061,11PI		SA
7.1-10	JC44-00087A	SMPS-V2C;SCX-4521F,*,AC/DC,-,220V~230VAC		SA
7.1-11	JC92-01706A	PBA MAIN-P1284;ML-2015,SEC,KOREA,-,-,-		SA
7.1-12	JC39-00405A	CBF HARNESS-MOTOR;ML-1610,CBF HARNESS,UL		SA
7.1-13	JC39-00400A	CBF HARNESS-HVPS;ML-1610,WIRE HARNESS,UL		SA
7.1-14	JC39-00402A	CBF HARNESS-SMPS;ML-1610,WIRE HARNESS,UL		SA
7.1-15	JC96-01672A	ELA UNIT-TERMINAL TR L;ML-6060A,SEC,220V	K3197	SA
7.1-15-1	JC61-00031A	SPRING ETC--HV LARGE;ML-6060A,SUS 304 WP	Z4197	SA
7.1-15-2	JC70-40912A	ICT-SHAFT HV LARGE;ML-5000A,SWCH18A,-,-,?4	S4027	SA
7.1-16	JC44-00079A	HVPS-SKYLARK,-,24V,21.6V~27.6V,-,MAX 5KV	S7027	SA
7.1-18	JC63-00631A	GROUND-P-HVPS;ML-1610,SUS304CSP 1/2H,0.2	K3232	SNA
7.1-19	3903-000042	CBF-POWER CORD;DT,EU,FP3/YES,IEC320 C13/	C0022	SA
7.1-20	JC61-01170A	PLATE-P-CHANNEL;ML-1610,SECC,1.2,8,12.9,		SA
7.1-21	JC97-02239A	MEA UNIT-MP TRAY;SCX-4521F,SEC,-,MP-TRAY		SA
7.1-22	JC31-00027A	FAN-DC_HUMMINGBIRD,-,ML-1710,-,-,-	F5019	SA
7.2-1	JC61-01152A	FRAME-M-BASE;ML-1610,ABS(VE-0860P),-,-,B	B0080	SNA
7.2-2	JC97-02218A	MEA UNIT-PLATE KNOCK_UP;ML-1610,SAMSUNG,	K3602	SA
7.2-2-1	JC61-01158A	PLATE-M-KNOCK_UP;ML-1610,HIPS HB,T2,W80,	K5002	SA
7.2-2-2	JC66-00720A	SHAFT-P-CORE;ML-1750,SECC 1.2T,203,-,-,-	P2158	SA
7.2-2-3	JC72-01004A	PMO-IDLE KNOCK UP MP;ML-2150,POM,BLK,-,M	P0041	SA
7.2-2-4	JC74-00011A	MPR-PAD KNOCK UP MP;ML-6060A,CR+CORK,10*	K5007	SA
7.2-3	JC61-01258A	SPRING ETC-TORSION DEVE_L;ML-1610,SUS304	Z4271	SA
7.2-4	JC61-01259A	SPRING ETC-TORSION DEVE_R;ML-1610,SUS304	Z4272	SA
7.2-5	JC96-03592A	ELA UNIT-RX DRIVE;ML-2010,SAMSUNG,-,SNIP	D4033	SA
7.2-5-1	JC61-01465A	BRACKET-P-GEAR_SN;ML-2010,SECC,T1.2,110,		SNA
7.2-5-2	JC61-01449A	BRACKET-P-MOTOR;ML-2010,SECC,2.0,45.6,11		SNA
7.2-5-3	JC66-00804A	GEAR-RDCN 139/83;ML-1610,POM,0.5/0.6,139	G0383	SA
7.2-5-4	JC31-00037D	MOTOR STEP-MAIN;M55SP-2NK,ML-2010,1.2A,7	M2159	SA
7.2-5-5	JC72-00825A	PMO-IMPELLER_DRV;ML-6200,NYLON66,BLK,-,-	K4023	SNA
7.2-6	JC97-02327A	MEA UNIT-FRAME PATH;ML-2010,SAMSUNG,-,-,		SA
7.2-7	JC70-00500A	ADJUST-M-CASSETTE_R;ML-1610,ABS,2.5T,120		SA
7.2-8	JC70-00499A	ADJUST-M-CASSETTE_L;ML-1610,ABS,2.5T,120		SA
7.2-9	JG66-40003A	GEAR-PINION;SF4000,POM,WHT,M1,Z16	G0035	SA
7.2-10	JC61-00836A	FOOT-FRONT;ML-1750,NBR,D7,-,11.5,-,-	F1011	SA
7.2-11	JC66-00805A	GEAR-RDCN 113/83;ML-1610,POM,0.6/0.6,113	G0381	SA
7.2-12	JC66-00806A	GEAR-OPC DR 76/38/29;ML-1610,POM,0.6/0.8	D4047	SA
7.2-13	JC66-00807A	GEAR-FUSER DR 63/35;ML-1610,POM,0.6/0.8,	F4086	SA
7.2-14	JC66-00808A	GEAR-FEED DR 41;ML-1610,POM,0.8,41,-,WHI	F6076	SA
7.2-15	JC66-00822A	LEVER-M-ACTUATOR_EMPTY;ML-1610,ABS,-,27,	K3816	SA
7.2-16	JB61-00076A	SPRING ETC-TORSION DOC (CC2-F);SCX-1110F	Z4274	SA
7.2-17	JC63-00622A	GROUND-P-OPC;ML-1610,SUS304CSP 1/2H,0.2,	D4053	SA
7.2-18	6107-001240	SPRING-CS;SUS304-WPB,GROUND END,P10.6,D1	D4084	SA
7.2-19	JC67-00110A	CAP-M-MOTOR;ML-1610,HIPS,2.0,60.5,52.4,	A0003	SNA
7.2-20	JC61-00025A	SPRING ETC-CS-CHARGE APOLLO;SF-5100,SUS	B2030	SNA
7.3-1	JC61-01162A	FRAME-P-FUSER;ML-1610,SECC,-,-,-,1,264.	F2122	SNA
7.3-2	JC63-00615A	COVER-M_FUSER;ML-1610,PET+GF30%,2.72,311	Z2149	SNA

SA : SERVICE AVAILABLE SNA : SERVICE not AVAILABLE DNA : DELIVERY not AVAILABLE

Drawer #	SEC Code	Description & Specification	Location	Service
7.3-3	JC61-01177A	HOLDER-M-EXIT R;ML-1610,PC,1.5,10,20,BLK	H4027	SA
7.3-4	JC66-00810A	GEAR-EXIT_DRV17;ML-1610,POM,0.8,17,-,BLK	E4038	SA
7.3-5	JC61-01172A	HOLDER-M-EXIT F/DOWN;ML-1610,PC,T2.0,W18	H4026	SNA
7.3-6	6107-001168	SPRING-CS;PW-2,-,PI0.95,D5.95,L16,-,-,ID	D4085	SA
7.3-7	JC66-10901A	BEARING-PRESSURE/R;ML-165,PPS(RBA313N),-	P6004	SA
7.3-8	JC61-00595A	GUIDE-M-INPUT;ML-1710,PET+GF30%,-,-,BL	K3960	SNA
7.3-9	JC66-00600A	ROLLER-PRESSURE;ML-1710,SUM24L+LSR+PFA,2	P6014	SA
7.3-10	JC66-00601A	ROLLER-HEAT;ML-1710,AL 5052+PFA,20.3,247	H2010	SA
7.3-11	JC66-00564A	GEAR-FUSER, Z37;ML-1710,PPS OFL4036,0.8,	F4094	SA
7.3-12	JC61-00589A	BUSH-M-HR L;ML-1710,PPS(RBA313N),-,-,-	K2879	SA
7.3-13	JC61-00590A	BUSH-M-HR R;ML-1710,PPS RBA313N,-,-,-,	K2880	SA
7.3-14	4713-001202	LAMP-HALOGEN;230V,-,600W,-,-,-,6X284MM		SA
7.3-15	JC66-00824A	ROLLER-M-EXIT MAIN;ML-1610,POM,8.5,L23.6	R1083	SNA
7.3-18	6107-001163	SPRING-CS;SUS304-WPB,-,PI0.4,D3.9,L13,-,	D4086	SA
7.3-19	1404-001298	THERMISTOR-NTC;7KOHM,-,3370K,0.3MW/C,-,-	W3071	SA
7.3-20	JC47-00005B	THERMOSTAT-150;ML-1610,-,125/250V,15/10A	K4279	SA
7.3-21	JC39-00404A	CBF HARNESS-FUSER JOINT;ML-1610,WIRE HAR	H1089	SA
7.3-23	JC61-00664A	SPRING ETC-CLAW;ML-5200A,SUS 304 WPB,?0.	B2031	SA
7.3-24	JC61-00584A	HOLDER-M-PLATE CLAW;ML-1710,PPS+GF40%,-,-	H4031	SA
7.3-25	JC61-00605A	PLATE-P-CLAW;ML-1710,SUS304-CSP,0.1,-,-,	H4032	SNA
7.3-26	JC66-00801A	GEAR-EXIT_DR38/25;ML-1610,POM,0.8,38/25,	E4039	SNA
7.3-27	6031-001051	WASHER-PLAIN;M4,ID4.1,OD7.0,T0.13,*POLY	S2004	SNA
7.3-29	JC63-00637A	COVER-M-FUSER-DUMMY;ML-1610,PET+GF30%,2,		SNA
7.3-30	JC63-00639A	COVER-M-LAMP-L;ML-1610,PET+GF30%,2,44.32		SNA
7.3-31	JC63-00638A	COVER-M-LAMP-R;ML-1610,PET+GF30%,2,25.31		SNA
7.3-32	6044-000001	RING-CS;ID3,OD3,T0.25,BLACK,SUS304	D4088	SNA
7.3-33	JC66-00826A	ROLLER-EXIT F/DOWN;ML-1610,SUM22L+EPDM,1	E4159	SA
7.3-34	JC67-00085A	CAP-M-THERMO;ML-1610,PET+GF30%,1.2,11.92	H4087	SNA
7.4-1	JC61-01161A	GUIDE-M-PAPER PATH;ML-1610,ABS HB,-,140,	G2069	SA
7.4-2	JC66-00814A	LEVER-ACTUATOR FEED SENSOR;ML-1610,PC,-,	E7006	SA
7.4-3	JB61-00107A	SPRING ETC-LEVER SENSOR;SF-430,SUS304,0.		SA
7.4-4	JC70-10232A	IPR-PLATE SAW;ML-80,SUS304 CSP 1/2H,-,T0	K3377	SA
7.4-5	JC63-00625A	GROUND-P-VARISTOR;ML-1610,SUS304CSP1/2H,	W3076	SNA
7.4-6	JC63-00624A	GROUND-P-ZENER;ML-1610,SUS304CSP 1/2H,0.		SNA
7.4-7	JC63-00623A	GROUND-P-THV;ML-1610,SUS304CSP 1/2H,0.2,	W3078	SNA
7.4-8	JC63-00626A	GROUND-P-SAW;ML-1610,C5210P,0.2,27.9,49.	W3079	SNA
7.4-9	JC97-02217A	MEA UNIT-HOLDER_PAD;ML-1610,SAMSUNG,-,-,	P0015	SA
7.4-9-1	JC61-70911A	SPRING ETC-EXIT ROLL FD;ML-165,SUS304 WP	S0021	SA
7.4-9-3	JC61-01169A	HOLDER-M-PAD;ML-1610,PC,1.7,39.5,33.4,BL	H4029	SA
7.4-10	JC66-00815A	LEVER-M-KICKER P/U;ML-1610,POM,-,10.5,31	R1120	SNA
7.4-11	JC97-02179A	MEA UNIT-PICK UP GEAR;ML-1610,SAMSUNG,-,	P2093	SA
7.4-11-1	JC66-00803A	GEAR-PICK_UP B;ML-1610,POM,0.8,33,-,WHIT	P2056	SA
7.4-11-2	JC66-00802A	GEAR-PICK_UP A;ML-1610,POM,0.8,33,-,WHIT	P2057	SA
7.4-11-3	6107-001167	SPRING-CS;SUS304-WPB,-,PI0.25,D3.25,L9.6	D4089	SA
7.4-12	JC33-00015B	SOLENOID-MP_R2;-SCX-4720F,DC24V,-,-,-	S8014	SA
7.4-13	JC66-00809A	GEAR-FEED 35/19;ML-1610,POM,0.8/0.8,35/1	F6071	SA
7.4-14	JC61-00588A	BUSH-M-TR L;ML-1710,POM(M90-44),-,-,BL	K2886	SA
7.4-15	JC72-00102A	PMO-BUSHING_TR(L);SF-5100,POM (CH-15),BL	K3856	SA
7.4-16	JC61-70940A	SPRING ETC-TR(12);ML-5500,-,4.5,-,12.7,1	Z4277	SA
7.4-17	JC66-00725A	ROLLER-TRANSFER;SCX-4100,NBR+ECO+SUM24L+	T3014	SA
7.4-18	JC61-00583A	HOLDER-PTL;ML-1710,PC,-,-,-,BLK,V0	H4041	SA
7.4-19	JC70-00307A	IPR-P-EARTH TRANSFER;ML-1710,SECC,-,1.0T	K3367	SA
7.4-20	JC66-00829A	SHAFT-P-PICK_UP;ML-1610,SECC,264,T1.2,-,	P2160	SA
7.4-21	JC61-01151A	HOUSING-M-PICK_U;ML-1610,POM,-,-,35,NATU	P2067	SA
7.4-22	JC61-01173A	HOUSING-M-PICK_UP B;ML-1610,ABS HB,-,-,3	P2068	SA
7.4-23	JC73-00211A	RUBBER-PICK_UP;ML-1610,EPDM+IR,MM,-,-,-	P2148	SA
7.4-24	JC66-00811A	CAM-M-PICK_UP;ML-1610,POM,4,W21*PHI12,NT	P2042	SA
7.4-25	JC66-00813A	GEAR-TRANSFER;ML-1610,POM,0.6,24,-,BLK,1	G0448	SA
7.4-26	JC61-01281A	BRACKET-P-BAR_PICK_UP;ML-1610,SECC,T1.0,		SNA
7.4-27	JC39-00482A	CBF HARNESS-MICRO SW;ML-2010,WIRE HARNES		SA
7.5-1	JC61-01263A	PLATE-M_MP;SCX-4521F,HIPS,2.5,278.2,123,		SA
7.5-2	JC70-00514A	ADJUST-M_MP L;SCX-4521F,HIPS,2.5,127.8,		SA
7.5-3	JC70-00515A	ADJUST-M_MP R;SCX-4521F,HIPS,2.5,127.8,9		SA
7.5-5	JC63-00711A	SHEET-MP;SCX-4521F,PET,T0.188,215.0,60.8	P2162	SA
	6107-001169	SPRING-CS;SUS304-WPB,-,PI0.55,D9.3,14.25		SA
#N/A	0201-001183	ADHESIVE-AA;ARON ALPHA #202F,NTR,100,20G		SNA
#N/A	0201-001162	ADHESIVE-CYA;LOCTITE403,NTR,1250,20G		SNA
#N/A	0201-001235	ADHESIVE-TS;DEH-390D,RED,400,-		SNA
#N/A	6902-000455	BAG CONDUCTIVE;LDPE,T0.1,W200,L450,BLK,-		SA
#N/A	6902-000437	BAG PE;HDPE,T0.015,W900,L800,TRP,8.4PE M		SNA
#N/A	6902-000288	BAG PE;LDPE,T0.05,W250,L450,TRP,8,2-		SNA
#N/A	3301-001425	BEAD-SMD;120ohm,3.2x1.6x1.1mm,900mA,TP,,		SNA

SA : SERVICE AVAILABLE SNA : SERVICE not AVAILABLE DNA : DELIVERY not AVAILABLE

Drawer #	SEC Code	Description & Specification	Location	Service
#N/A	JC61-01464A	BLADE-P_SUS;ML-2010,SUS301-CSP 1/2H T0.0		SNA
#N/A	JC69-00825A	BOX(P)-POWER PAD;COMMON,SHEET,TOMSON,-,1		SNA
#N/A	JC69-00818H	BOX-MAIN;ML-2010P/SEE_SW,OFFSET3,308,446		SA
#N/A	JC61-01165A	BRACKET-P-CLEANING;ML-1610,SECC,1.2T,-,2		SNA
#N/A	JC61-01166A	BRACKET-P-SUS BLADE;ML-1610,SPCC+NI,1.2T		SNA
#N/A	2401-000042	C-AL;100uF,20%,16V,GP,TP,6.3x7,5		SA
#N/A	2401-001185	C-AL;33uF,20%,35V,GP,TP,5x11,5		SNA
#N/A	JC67-00081A	CAP-M-HOUSING INITIAL;ML-1610,ABS,T1.5,6		SNA
#N/A	JC67-00080A	CAP-M-SPACER_R;ML-1610,ABS,-,12,22.5,BLK		SNA
#N/A	JC67-00083A	CAP-M-WTB;ML-1610,ABS,T1.5,29,250.3,BLK,		SNA
#N/A	JC39-00403B	CBF HARNESS-FUSER(220V);ML-1610,WIRE HAR		SA
#N/A	2203-000384	C-CER,CHIP;0.015nF,5%,50V,C0G,1608		SA
#N/A	2203-000626	C-CER,CHIP;0.022nF,5%,50V,C0G,1608		SA
#N/A	2203-000815	C-CER,CHIP;0.033nF,5%,50V,C0G,1608		SA
#N/A	2203-001683	C-CER,CHIP;0.068nF,5%,50V,NP0,1608		SA
#N/A	2203-000236	C-CER,CHIP;0.1nF,5%,50V,C0G,1608		SA
#N/A	2203-001607	C-CER,CHIP;0.22nF,5%,50V,NP0,1608		SA
#N/A	2203-001408	C-CER,CHIP;0.27nF,5%,50V,NP0,1608		SNA
#N/A	2203-000783	C-CER,CHIP;0.33nF,5%,50V,C0G,1608		SA
#N/A	2203-005819	C-CER,CHIP;1000nF,+80-20%,16V,Y5V,-,1608		SNA
#N/A	2203-000189	C-CER,CHIP;100nF,+80-20%,25V,Y5V,1608		SA
#N/A	2203-005249	C-CER,CHIP;100nF,10%,50V,X7R,1608		SNA
#N/A	2203-000257	C-CER,CHIP;10nF,10%,50V,X7R,1608		SA
#N/A	2203-000440	C-CER,CHIP;1nF,10%,50V,X7R,1608		SA
#N/A	2203-002392	C-CER,CHIP;220nF,+80-20%,50V,Y5V,2012		SA
#N/A	2203-002398	C-CER,CHIP;22nF,10%,50V,X7R,1608		SA
#N/A	3702-000118	CONNECTOR-RIBBON;36P,FEMALE,ANGLE,AU		SNA
#N/A	JC63-00712A	COVER-M_PAPER;SCX-4521F,ABS,2.5,269.97,1		SA
#N/A	2801-003886	CRYSTAL-UNIT;12MHz,50ppm,28-AAA,16pF,50o		SNA
#N/A	JC69-00739A	CUSHION-EPS SET(SKYL);ML-1610,EPS,-,505,		SNA
#N/A	0407-000122	DIODE-ARRAY;KDS226,80V,300mA,C2-3,SOT-23		SA
#N/A	0402-000129	DIODE-RECTIFIER;1N4003,200V,1A,DO-41,TP		SA
#N/A	0401-000116	DIODE-SWITCHING;MMSD914T1,100V,200MA,SOD		SNA
#N/A	JC66-00823A	DRUM-OPC;ML-1610,AL A30 OR A60,-,24,248,		SNA
#N/A	JC96-03651A	ELA HOU-ENGINE_P;ML-2010,SAMSUNG,RUSIA,-		SNA
#N/A	JC96-03352R	ELA UNIT-DEVE INITIAL;ML-2010,SAMSUNG,EX		SNA
#N/A	JC70-00483A	ELECTRODE-P_SR(M);SCX-4100,SUS301-CSP T0		SNA
#N/A	JC70-00501A	ELECTRODE-P-DEVE KEY;ML-1610,SUS304CSP1/		SNA
#N/A	JC63-00891A	FELT-FRAME NOISE L;ML-2010,POLYESTER RAY		SNA
#N/A	JC63-00892A	FELT-FRAME NOISE R;ML-2010,POLYESTER RAY		SNA
#N/A	2901-001178	FILTER-EMI SMD;25V,2A,-,100000pF,2x1.25x		SA
#N/A	0204-002978	FLUX;KSP-70L,-,84%,FLUX,SPRAY		SNA
#N/A	JC61-01184A	FRAME-M_WTB INITIAL;SCX-4521F,ABS+GF20,-		SNA
#N/A	JC61-01163A	FRAME-M-DEVE LOWER;ML-1610,ABS,-,HB,BLK,		SNA
#N/A	JC66-00817A	GEAR-AGITATOR;ML-1610,POM,0.6,24,-,NTR,2		SNA
#N/A	JC66-00820A	GEAR-DEVE;ML-1610,POLYKETONE,0.8,14,-,NT		SNA
#N/A	JC66-00012A	GEAR-OPC R;SF-5100,POM(M90-44),BLK,M0.6,		SA
#N/A	JC66-00821A	GEAR-OPC_L;ML-1610,PC+PTFE,0.8,30,-,BLK,		SNA
#N/A	JC66-00818A	GEAR-RDCN;ML-1610,POM,0.8/0.6,-,-,NTR,-,		SNA
#N/A	JC66-00819A	GEAR-SUPPLY;ML-1610,POM,0.6/0.6,20/19,-,		SNA
#N/A	0205-000005	GREASE-BEARING;EP56,DIAMOND HYDRO FLUID,		SNA
#N/A	0205-001088	GREASE-BEARING;NICHIMOLY DM-1770X,PTFE,-		SNA
#N/A	0205-001003	GREASE-BEARING;NYOGEL788,DAMPING GREASE,		SNA
#N/A	0205-001059	GREASE-BEARING;PETAMO GHV 133,BEIGE,15KG		SNA
#N/A	0205-001056	GREASE-GRAPHITE;CRS841,WHT,-		SNA
#N/A	0205-001067	GREASE-GRAPHITE;NYOGEL 756G,HYDRO CARBON		SNA
#N/A	JC64-00185A	HANDLE-M-DEVE;ML-1610,HIPS,T1.5,110,125.		SNA
#N/A	3711-002812	HEADER-BOARD TO CABLE;BOX,11P,1R,2mm,STR		SNA
#N/A	3711-002001	HEADER-BOARD TO CABLE;BOX,20P,2R,2MM,STR		SA
#N/A	3711-003969	HEADER-BOARD TO CABLE;BOX,2P,1R,2.5mm,ST		SNA
#N/A	3711-003942	HEADER-BOARD TO CABLE;BOX,2P,1R,2MM,STRA		SA
#N/A	3711-003409	HEADER-BOARD TO CABLE;BOX,3P,1R,2mm,STRA		SNA
#N/A	3711-003410	HEADER-BOARD TO CABLE;BOX,4P,1R,2mm,STRA		SNA
#N/A	3711-002810	HEADER-BOARD TO CABLE;BOX,9P,1R,2mm,STRA		SNA
#N/A	JC13-00027A	IC ASIC-JUPITER4E;S4FD004X,ML-1520,160P,		SA
#N/A	1205-002339	IC-CLOCK GENERATOR;CY25811SC,SOIC,8P,150		SA
#N/A	0801-002446	IC-CMOS LOGIC;74LCX14,SCHMITT INVERTER,T		SNA
#N/A	0801-000794	IC-CMOS LOGIC;7S08,AND GATE,SOT-25,5,63M		SA
#N/A	1105-001464	IC-DRAM;K4S641632,4MX16BIT,TSOP(II),54P,		SA
#N/A	1103-001228	IC-EEPROM;93C66,4KBIT,256X16BIT,SOP,8P,5		DNA
#N/A	1006-001224	IC-LINE TRANSCEIVER;74LVX161284,TSSOP,48		SA
#N/A	1003-001535	IC-MOTOR DRIVER;A3977SLP,TSSOP,28P,9.6X4		SA

SA : SERVICE AVAILABLE SNA : SERVICE not AVAILABLE DNA : DELIVERY not AVAILABLE

Drawer #	SEC Code	Description & Specification	Location	Service
#N/A	1203-002220	IC-POSI.ADJUST REG.;LD1117, DPAK,3P,240MI		SA
#N/A	1203-001455	IC-POSI.FIXED REG.;1117, DPAK,3P,265MIL,P		SA
#N/A	1203-002233	IC-RESET;XC61F,SOT-23,3P,-,PLASTIC,0.7/1		SNA
#N/A	1202-000164	IC-VOLTAGE COMP.;393,SOP,8P,150MIL,DUAL,		SA
#N/A	JC99-01882V	INA-ACCESSORY;ML-2010P/SEE,SEC,EUROPE,SN		SNA
#N/A	JC99-01885A	INA-MATERIAL(A4);ML-1610,SAMSUNG,-,MATER		SNA
#N/A	JC70-00153A	IPR-ELECTRODE CHARGE;ML-4500,SUS301,-,8.		SNA
#N/A	3722-001101	JACK-USB;4P/1C,AU,IVR,ANGLE,B TYPE		SA
#N/A	JB68-00916A	LABEL RATING-BLANK;SF-340,SEC,TETRON,0.0		SNA
#N/A	JC68-01584A	LABEL(P)-BLANK 90*25;CLP-510,SEE,ART 100		SA
#N/A	JC68-10932B	LABEL(P)-BLANK(YELLOW);ML-1710,-,ART,100		SNA
#N/A	JC68-30928D	LABEL(P)-CAUTION, HOT_FUSER;ML-1210,PET,		SNA
#N/A	JC68-10914D	LABEL(P)-SERIAL NO;ML-85,ART,70X15,G100,		SNA
#N/A	JB68-00073A	LABEL(R)-BAR CODE;SF-3000,PY,38X6.5,T0.1		SNA
#N/A	JC68-00573A	LABEL(R)-BARCODE;ML-4500,PET,T0.05,10mm,		SNA
#N/A	JC68-00407A	LABEL(R)-HV FUSER;ML-6060,PVC,-,220V,-,.	L0006	SNA
#N/A	JC68-00690A	MANUAL-(CARD)WARRANTY CARD;ML-1210,XEU,E		SNA
#N/A	JC68-01493B	MANUAL-DEVE_SHEET;SCX-4521F,SEE,EFGISPRS		SNA
#N/A	JC68-01495A	MANUAL-QIG;COMMON,SEE,WORLD_WIDE,WORLD_W		SNA
#N/A	JC97-02181A	MEA ETC-BLADE CLEANING;ML-1610,SEC,SEC,B		SNA
#N/A	JC97-02182A	MEA ETC-SUS BLADE;ML-1610,SEC,SEC,SUS BL		SNA
#N/A	JC97-01900B	MEA UNIT-AGITATOR_B;ML-1610,SEC,SKYLARK,		SNA
#N/A	JC97-02183A	MEA UNIT-FRAME INT;ML-1610,SEC,-,ASSY-FR		SNA
#N/A	JC97-02153A	MEA UNIT-OPC;ML-1610,SEC,-,DRUM24,EARTH,		SNA
#N/A	JC97-02154A	MEA UNIT-PLATE_L;ML-1610,SEC,-,ASSY-PLAT		SNA
#N/A	JC97-02155A	MEA UNIT-PLATE_R;ML-1610,SEC,-,ASSY-PLAT		SNA
#N/A	JC97-02152A	MEA UNIT-WTB;ML-1610,SEC,-,ASSY-WTB,-,.		SNA
#N/A	JC75-00044A	MEC-BUSHING AGI L;SF-5100,SEC,POM+SANTOP		SNA
#N/A	JC75-00043A	MEC-GEAR OPC R;SF-5100,SEC,-,BLK,-,-,.		SNA
#N/A	JC71-00009A	NPM-BUSHING DEV R;ML-6060,BRONZE,D7*12,-		SNA
#N/A	JC71-00002A	NPR-EARTH OPC APOLLO;SF-5100,C5210P-H,0.		SNA
#N/A	JC99-01861B	PAA WOOD-LABEL(SEE);ML-1610,SEE,-,LABEL		SNA
#N/A	JC99-01862A	PAA-PACKING(SKYLARK);ML-1610,XAA,-,PACKI		SNA
#N/A	JC69-00846A	PAD-FRICTION;ML-1610,NBB,1.5,39,-,GRAY,0		SA
#N/A	JC41-00294A	PCB-MAIN;ML-2010,FR-4,2L,V0.1,1.6T,122.7		SNA
#N/A	JC61-01167A	PLATE-M-DEVE_L;ML-1610,PC,2.62,4.88,BLK,		SNA
#N/A	JC61-01168A	PLATE-M-DEVE_R;ML-1610,ABS,2.62,4.87,7.B		SNA
#N/A	JC72-01329A	PMO-AGITATOR_DOUBLE;ML-6060,ABS+GF20%,BL		SNA
#N/A	JC72-00081A	PMO-BUSHING AGI L;SF-5100,POM,BLK,-,-,.		SNA
#N/A	JC72-41105A	PMO-BUSHING DEV;ML-5000,POM,NTR,-,-,.		SNA
#N/A	JC72-40332A	PMO-BUSHING_CHARGE;ML-80,POM,BLK,HB,-		SNA
#N/A	JC72-40232A	PMO-CAP AGITATOR;ML-80,PP,BLK,-,-		SA
#N/A	JC72-00083A	PMO-HOLDER CR;SF-5100,POM,BLK,-,-,.		SNA
#N/A	JC72-01317A	PPR-FILM AGITATOR SUB;ML-2550,PET SHEET		SNA
#N/A	JC72-10924A	PPR-FILM AGITATOR;ML-5000,PET T0.1,NTR,-		SA
#N/A	JC72-01350A	PPR-FILM OPC;ML-1610,URETHANE SHEET,NTR,		SNA
#N/A	JC72-10925A	PPR-FILM SUPPORT AGI;ML-5000,PET T0.3,NT		SNA
#N/A	JC72-01349A	PPR-SPACER SR_L;ML-1610,PET OR PC,NTR,T0		SNA
#N/A	2007-000070	R-CHIP;0ohm,5%,1/10W,TP,1608		SA
#N/A	2007-000123	R-CHIP;1.5Kohm,5%,1/10W,TP,1608		SA
#N/A	2007-000074	R-CHIP;100ohm,5%,1/10W,TP,1608		SA
#N/A	2007-000090	R-CHIP;10Kohm,5%,1/10W,TP,1608		SA
#N/A	2007-000116	R-CHIP;120ohm,5%,1/10W,TP,1608		SA
#N/A	2007-000091	R-CHIP;12Kohm,5%,1/10W,TP,1608		SA
#N/A	2007-007521	R-CHIP;14.7Kohm,1%,1/10W,TP,1608		SA
#N/A	2007-008567	R-CHIP;15.4Kohm,1%,1/10W,TP,1608		SNA
#N/A	2007-000402	R-CHIP;150ohm,5%,1/10W,TP,1608		SA
#N/A	2007-000078	R-CHIP;1Kohm,5%,1/10W,TP,1608		SA
#N/A	2007-000094	R-CHIP;22Kohm,5%,1/10W,TP,1608		SA
#N/A	2007-000096	R-CHIP;30Kohm,5%,1/10W,TP,1608		SA
#N/A	2007-000076	R-CHIP;330ohm,5%,1/10W,TP,1608		SA
#N/A	2007-000134	R-CHIP;33Kohm,5%,1/10W,TP,1608		SA
#N/A	2007-000113	R-CHIP;33ohm,5%,1/10W,TP,1608		SA
#N/A	2007-000083	R-CHIP;3Kohm,5%,1/10W,TP,1608		SA
#N/A	2007-000107	R-CHIP;470Kohm,5%,1/10W,TP,1608		SA
#N/A	2007-000965	R-CHIP;5.1Kohm,5%,1/10W,TP,1608		SA
#N/A	2007-001002	R-CHIP;510ohm,5%,1/10W,TP,1608		SA
#N/A	2007-001044	R-CHIP;56ohm,5%,1/10W,TP,1608		SNA
#N/A	2007-001139	R-CHIP;7.5Kohm,1%,1/10W,TP,1608		SA
#N/A	2011-001334	RC-NETWORK;1K/5.1K/39ohm,10%,150pF,-,6V,		SNA
#N/A	JC73-00201A	REX-BLADE CLEANING;ML-1610,POLYURETHANE		SNA
#N/A	JC73-40906A	RMO-SEAL AGITATOR;ML-5000,SANTOPRENE,-,-		SNA

SA : SERVICE AVAILABLE SNA : SERVICE not AVAILABLE DNA : DELIVERY not AVAILABLE

Drawer #	SEC Code	Description & Specification	Location	Service
#N/A	2011-001011	R-NET;10Kohm,5%,1/16W,L,CHIP,8P,TP,3.2x1		SNA
#N/A	2011-001094	R-NET;390HM,5%,1/16W,L,CHIP,8P,TP		SA
#N/A	JC66-00828A	ROLLER-CHARGE;ML-1610,NBR+ECO,D12,L230,N		SNA
#N/A	JC66-00851A	ROLLER-DEVE;ML-1610,CONDUCTIVE NBR,D14.0		SNA
#N/A	JC66-00830A	ROLLER-M-EXIT FR;ML-1610,TEFLON,6.5,L22.		SNA
#N/A	JC66-00825A	ROLLER-SUPPLY;ML-1610,SILICON FOAM,D11.5		SNA
#N/A	JC73-10017A	RPR-SEAL_BLOCK;ML-80,POLYURETHANE FOAM,T		SNA
#N/A	2005-000168	R-WIRE WOUND,NON;0.22ohm,5%,2W,AA,BK,4x1		SA
#N/A	JC46-00290A	S/W APPLICATION-CD;-;ML-2010P,PRT DRV,1.		SNA
#N/A	6001-000568	SCREW-MACHINE;PH,+;M3,L8,NI PLT,SWRCH18A		SA
#N/A	6002-000440	SCREW-TAPPING;PWH,+;-;2,M3,L8,ZPC(BLK),S		SA
#N/A	6003-000282	SCREW-TAPTITE;BH,+;-;B,M3,L8,ZPC(BLK),SW	Z4169	SA
#N/A	6003-000269	SCREW-TAPTITE;BH,+;-;S,M3,L6,ZPC(YEL),SW	Z4170	SA
#N/A	6003-000261	SCREW-TAPTITE;BH,+;B,M3,L6,ZPC(YEL),SWRC		SNA
#N/A	6003-000301	SCREW-TAPTITE;BH,+;S,M4,L6,ZPC(YEL),SWRC		SNA
#N/A	6003-000196	SCREW-TAPTITE;PWH,+;B,M3,L10,NI PLT,SWRC	Z4198	SA
#N/A	JC62-00156A	SEAL-BOSS_R;ML-1610,CR,BLACK,T5,-;D7.5,-		SNA
#N/A	JC62-00153A	SEAL-BRKT CLEANING;ML-1610,POLYURETHANE		SNA
#N/A	JC62-00149A	SEAL-CAP DEVE;ML-1610,POLYURETHANE FOAM,		SNA
#N/A	JC62-00148A	SEAL-CAP SIDE;ML-1610,POLYURETHANE FOAM,		SNA
#N/A	JC62-00151A	SEAL-DEVE L;ML-1610,PTFE FELT+MICRO URET		SNA
#N/A	JC62-00165A	SEAL-FILM REAR;ML-1610,PET,-;T0.075,9,22		SNA
#N/A	JC62-00154A	SEAL-OPC CLEAN_L;ML-1610,PTFE FELT+URETH		SNA
#N/A	JC62-00155A	SEAL-OPC CLEAN_R;ML-1610,PTFE FELT+URETH		SNA
#N/A	JC62-00145A	SEAL-SUPPLY;ML-1610,CHLOROPRENE RUBBER		SNA
#N/A	JC62-00146A	SEAL-SUPPORT L;ML-1610,MICRO URETHANE,-;		SNA
#N/A	JC62-00147A	SEAL-SUPPORT R;ML-1610,MICRO POLYURETHAN		SNA
#N/A	JC62-00150A	SEAL-SUS BLADE;ML-1610,POLYURETHANE FOAM		SNA
#N/A	JC66-00827A	SHAFT-RDCN;ML-1610,SUS303,L24,D3,NTR,-;-		SNA
#N/A	JC63-00873A	SHEET-PATH;ML-1610,PET,T0.188,8.6,16,BLA		SNA
#N/A	0202-001215	SOLDER-BAR;HSE-16,S60S-20,D3,SN/0.5CU/0.		SNA
#N/A	0202-001459	SOLDER-CREAM;S3X58-M405,-;D20~38\$,96.5SS		SNA
#N/A	0202-001492	SOLDER-WIRE FLUX;HSE-02 LFM48 SR-34 S,-;		SNA
#N/A	0202-001240	SOLDER-WIRE;HSE-01,-;D3,SN/0.5CU/0.03NI/		SNA
#N/A	JC72-01371A	SPONGE-COVER TOP;ML-2010,POLYURETHANE FO		SNA
#N/A	JC61-00049A	SPRING ETC-TR(KOR);ML-4500,SUS304-WPB,0.		SNA
#N/A	JC61-00060A	SPRING ETC-TS BLADE;ML-6060,SUS304 WPB,0		SNA
#N/A	6103-000117	SUPPORTER;DACN-6N,L10,NTR,NYLON66		SNA
#N/A	0203-001189	TAPE-ACETATE;#810,T0.05,W12,L65000,TRP,-		SNA
#N/A	0203-000007	TAPE-FILAMENT;3M,T0.15,W18,L55M,TRP		SNA
#N/A	0203-001100	TAPE-OPP MASKING;OPP/W75/CLR,T0.05,W75,L		SNA
#N/A	0204-000469	THINNER;#4662,-;0.795,-		SNA
#N/A	JC02-00043A	TONER-GRINDED;ML-1610,TUFTONE YS-4,-;8.8		SNA
#N/A	JC63-00629A	TRAY-M-EXTENSION SMALL;ML-1610,HIPS,-;2		SNA
#N/A	0501-000279	TR-SMALL SIGNAL;KSA1182-Y,PNP,150mW,SOT-		SA
#N/A	0501-000457	TR-SMALL SIGNAL;MMBT2222A,NPN,350mW,SOT-		SA