
7 Parts and diagrams

This section describes Web resources for ordering parts, and for technical support and resources for ordering related documentation and software.

- [Parts](#)
- [How to use the parts lists and diagrams](#)
- [Types of screws](#)
- [Related documentation and software](#)
- [Accessories, supplies, and whole unit components](#)
- [Automatic document feeder \(whole unit\)](#)
- [Front end cover \(ADF\)](#)
- [Hinges \(ADF\)](#)
- [Base assembly \(ADF\)](#)
- [Backbone assembly \(ADF\)](#)
- [Jam Cover \(ADF\)](#)
- [Pickup roller assembly \(ADF\)](#)
- [Separation pad assembly \(ADF\)](#)
- [Separation floor assembly \(ADF\)](#)
- [Scanner assembly base](#)
- [Carriage assembly \(scanner; optical assembly\)](#)
- [Scanner top assembly](#)
- [Scanner controller board \(SCB\) assembly](#)
- [Scanner lid sensor assembly](#)
- [Scanner transmission drive assembly](#)
- [Stapler/stacker assembly main body](#)
- [Paper feed assembly \(stapler/stacker\)](#)
- [Alignment and jogger assembly \(stapler/stacker\)](#)

- [Stapler assembly \(stapler/stacker\)](#)
- [Stapler/stacker PCA](#)
- [Print engine external covers and panels](#)
- [Cartridge door assembly \(print engine\)](#)
- [Internal components \(print engine 1 of 3\)](#)
- [Internal components \(print engine; 2 of 3\)](#)
- [Internal components \(print engine; 3 of 3\)](#)
- [Paper delivery assembly \(print engine\)](#)
- [Lifter drive assembly \(print engine\)](#)
- [Fuser drive assembly \(print engine\)](#)
- [Lower drive assembly \(print engine\)](#)
- [Upper cassette \(print engine\)](#)
- [Lower cassette \(print engine\)](#)
- [Upper cassette pickup assembly \(print engine\)](#)
- [Lower cassette pickup assembly \(print engine\)](#)
- [Registration assembly \(print engine\)](#)
- [Paper feed assembly \(print engine\)](#)
- [PCA assemblies \(print engine\)](#)
- [Fuser \(print engine\)](#)
- [Fuser pressure release assembly \(print engine\)](#)
- [High capacity input \(HCI\) 1X500 feeder main body](#)
- [High capacity input \(HCI\) 3X500 feeder main body](#)
- [Lifter drive assembly \(HCI\)](#)
- [Cassette \(HCI\)](#)
- [Paper pickup assembly \(HCI\)](#)
- [HCI PCA assemblies](#)
- [Alphabetical parts list](#)
- [Numerical parts list](#)

Parts

Order replacement parts from the following Web sites:

- HP Parts Store: www.hp.com/buy/parts
- Partsurfer: www.partsurfer.hp.com
- HP Parts Portal: www.hp.com/go/HPparts

How to use the parts lists and diagrams

The figures in this chapter show the major subassemblies in the printer and their component parts. A parts list table follows each exploded-view assembly diagram. Each table lists the item number, the associated part number, and the description of each part. If a part is not listed in the table, then it is not a field replacement unit (FRU).



CAUTION Be sure to order the correct part. When looking for part numbers for electrical components, pay careful attention to the voltage that is listed in the description column to ensure that the part number selected is for the correct printer model.




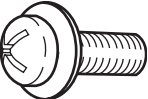
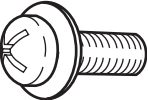
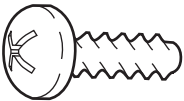


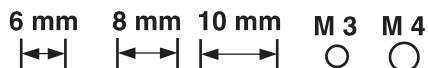
NOTE In this manual, the abbreviation “PCA” stands for “printed circuit board assembly.” Components described as a PCA might consist of a single circuit board or a circuit board plus other parts, such as cables and sensors.



Tip Not all components listed in the parts tables can be ordered. If a component listed has an associated part number, then it is a field replaceable unit (FRU) and can be ordered. If the component does not have an associated part number, you must order the FRU that includes the desired component.

Types of screws

Illustration	Description	Size	Use
	Screw w/washer	M3X8	Used to secure metal components to metal components (for example, a ground wire to the frame)
	Screw, RS	M3X6 M3X10	Used to secure metal to metal
	Screw, tapping	M3X6	
	Screw	M3X8	
	Screw	P-M3X8	
	Screw, tapping, truss head	M4X10	Used to secure anything to plastic



Related documentation and software

Table 7-1 Technical support Web sites

HP Customer Care Online	www.hp.com/go/support
Software drivers, support documentation, and answers to frequently asked questions	
HP Technical Training (North America)	www.hp.com/go/resellertraining
Classes and schedules	

Accessories, supplies, and whole unit components

Table 7-2 Accessories and supplies


Item	Part number	Service/exchange number	Description
Internal (EIO) connectivity	J7934A		HP Jetdirect 620n print server (10/100-TX Ethernet) accessory
1 X 500 HCI	Q7834A		High capacity feeder. One 500-sheet tray with a storage cabinet.
3 X 500 HCI	Q7835A		High capacity feeder. Three 500-sheet trays without a storage cabinet.
Duplexer	Q7549-67901		Optional accessory
 NOTE A minimum of an additional 64 MB is needed when adding a duplexer to the printer.			
Memory (DIMMs)	Q7713-67951		Synchronous 32 MB DDR SDRAM DIMM
	Q7714-67951		Synchronous 48 MB DDR SDRAM DIMM
	Q7715-67951		Synchronous 64 MB DDR SDRAM DIMM
	Q7718-67951		Synchronous 128 MB DDR SDRAM DIMM
	Q7719-67951		Synchronous 256 MB DDR SDRAM DIMM
	Q7720-67951		Synchronous 512 MB DDR SDRAM DIMM
Printer supplies	Q7570-67901		Black print cartridge

Table 7-2 Accessories and supplies (continued)

Item	Part number	Service/exchange number	Description
Cables	C6518A		USB 2.0 printer cable (2-meter [6.5-feet] standard)
	C6520A		USB 2.0 printer cable (3-meter [9.8-feet] standard)
	92215S		Mac DIN-8 printer cable
	5851-2501		Hard disk drive cable SATA power
	5851-2502		Hard disk drive cable SATA data
	5851-2503		Fax to formatter cable

Table 7-2 Accessories and supplies (continued)

Item	Part number	Service/exchange number	Description
Power cord (1.9 meters [6.2 feet])	8121-0740		PWR-CORD OPT-903 3-COND 1.9-M-LG ROHS (US)
	8121-0964		PWR-CORD OPT-934 3-COND 1.9-M-LG ROHS (Taiwan)
	8121-0731		PWR-CORD OPT-902 3-COND 1.9-M-LG ROHS (Korea)
	8121-0943		PWR-CORD OPT-922 3-COND 1.9-M-LG ROHS (China)
	8121-0734		PWR-CORD OPT-927 3-COND 1.9-M-LG ROHS (Thailand)
	8121-0739		PWR-CORD OPT-900 3-COND 1.9-M-LG 5A ROHS (Hong Kong SAR)
	8121-0739		PWR-CORD OPT-900 3-COND 1.9-M-LG 5A ROHS (Australia)
	8121-0736		PWR-CORD OPT-918 3-COND 1.9-M-LG ROHS (Japan)
	8121-1004		PWR-CORD OPT-919 3-COND 1.9-M-LG ROHS (Israel)
	8121-1004		PWR-CORD OPT-919 3-COND 1.9-M-LG ROHS (UK)
	8121-0733		PWR-CORD OPT-912 3-COND 1.9-M-LG ROHS (Denmark)
	8121-0729		PWR-CORD OPT-920 3-COND 1.9-M-LG ROHS (Argentina)
	8121-0564		PWR-CORD OPT-923 3-COND 1.9-M-LG ROHS (India)
	8121-0737		PWR-CORD OPT-917 3-COND 1.9-M-LG ROHS (South Africa)

Table 7-2 Accessories and supplies (continued)

Item	Part number	Service/exchange number	Description
Power cords (continued)	8121-0731		PWR-CORD OPT-902 3-COND 1.9-M-LG ROHS (Europe English, Malaysia, Europe (EN, DE, FR, NL, ES, PT, IT), Euro (EN/SK/SL/HR/RO), Russia, Baltics (EN/KK/LT/LV/ET), Norway, Finland, Sweden, Czech/Hungary/Poland, Turkey, Greece, Vietnam, Mid East 220V)
	8121-0735		PWR-CORD OPT-921 3-COND 1.9-M-LG ROHS (South America)
	8121-0740		PWR-CORD OPT-903 3-COND 1.9-M-LG ROHS (Indonesia, Mid East, Mexico, Brasil, Canada)
	8121-0739		PWR-CORD OPT-900 3-COND 1.9-M-LG 5A ROHS (Asia Pacific, Mid East 220V UK cord)
	8121-0738		PWR-CORD OPT-906 3-COND 1.9-M-LG ROHS (Switzerland)
	8121-0734		PWR-CORD OPT-927 3-COND 1.9-M-LG ROHS (Philippines, Singapore, Mexico, Brasil)
	8121-0739		PWR-CORD OPT-900 3-COND 1.9-M-LG 5A ROHS (Philippines, Singapore)

Table 7-2 Accessories and supplies (continued)

Item	Part number	Service/exchange number	Description
Fax phone cord (3 meters [9.8 feet])	8121-0811		PHN-CORD OPT-501 US 3.0-M-LG ROHS(United States,Taiwan, China, Thailand, Japan, Argentina, India, European Union, South America, Indonesia, Malaysia, MiddleEast, Phillipines, Singapore, Mexico/Brazil, Canada, Russia, Bulgaria, Baltics, Vietnam)
	8120-8908		PHN-CORD OPT-516 KR 3.0-M-LG ROHS (Korea)
	8121-1042		PHN-CORD US 3.0-M-LG ROHS (Hong Kong SAR)
	8120-8907		PHN-CORD OPT-519 AU 3.0-M-LG ROHS (Australia)
	8120-8913		PHN-CORD OPT-517 IL 3.0-M-LG ROHS (Israel)
	8120-8921		PHN-CORD OPT-505 UK/ HK/NZ 3.0-M-LG ROHS (UK)
	8120-8911		PHN-CORD OPT-506 DK 3.0-M-LG ROHS (Denmark)
	8120-8922		PHN-CORD OPT-520 EE 3.0-M-LG ROHS (South Africa)
	8120-8912		PHN-CORD OPT-502 DE 3.0-M-LG ROHS (Denmark)
	8120-8915		PHN-CORD OPT-508 NL 3.0-M-LG ROHS (Netherlands)
	8120-8923		PHN-CORD OPT-504 FR 3.0-M-LG ROHS (France)
	8120-8914		PHN-CORD OPT-514 IT 3.0-M-LG ROHS (Southern Europe)
	8121-0844		PHN-CORD OPT-512 CH 3.0-M-LG ROHS (Switzerland)
	8120-8918		PHN-CORD OPT-511 SE 3.0-M-LG ROHS (NO, FI, SV)
	8920-8916		PHN-CORD OPT 510 (NORWAY, FINLAND) 3.0M-LG
8120-8920		PHN-CORD OPT-507 TR 3.0-M-LG ROHS (Turkey/Greece)	
8120-8922		PHN-CORD OPT-520 EE 3.0-M-LG ROHS (SK, SL, HR, RO, CS, HU, PL)	

Table 7-2 Accessories and supplies (continued)

Item	Part number	Service/exchange number	Description
Media	C2934A		50 sheets HP Color LaserJet Transparencies (letter)
	C2936A		50 sheets HP Color LaserJet Transparencies (A4)
	Q2419A		200 sheets HP LaserJet High Gloss paper (letter)
	C4179A		200 sheets HP LaserJet Soft Gloss paper (letter)
	C4179B		200 sheets HP LaserJet Soft Gloss paper (A4)
	Q6547A		200 sheets HP LaserJet High Gloss paper (A4)
	Q6548A		200 sheets HP LaserJet Soft Gloss paper (A3)
	Q1298A		HP LaserJet Tough paper (letter)
	Q1298B		HP LaserJet Tough paper (A4)
	HPU1132		HP Premium Choice LaserJet paper (letter)
	CHP410		HP Premium Choice LaserJet paper (A4)
	HPJ1124		HP LaserJet paper (letter)
	CHP310		HP LaserJet paper (A4)
	Reference, service, and training materials	5851-1468	
5021-0378			<i>PCL/PLJ Technical Reference Package</i> For downloadable versions, go to www.hp.com/support/ lj5025 or www.hp.com/support/ lj5035 . When connected, select Manuals .
ADF maintenance kit	Q7842-67902		Available as a service part.

Table 7-2 Accessories and supplies (continued)

Item	Part number	Service/exchange number	Description
Engine maintenance kit (110v)	Q7832-67901		Not available as a service part. Sold separately.
Engine maintenance kit (220v)	Q7833-67901		Not available as a service part. Sold separately.
Assembly, service, and training CD	Q7543-60112		CD based service and training information (English)
Service manual (this manual)	Q7543-90908		Printed copy of this manual

Table 7-2 Accessories and supplies (continued)

Item	Part number	Service/exchange number	Description
Control-panel overlays	Q7829-60110		Control Panel Overlay Kit- EN
	Q7829-60125		Control Panel Overlay Kit- ZHTW
	Q7829-60127		Control Panel Overlay Kit- KO
	Q7829-60126		Control Panel Overlay Kit- ZHCN
	Q7829-60133		Control Panel Overlay Kit- TH
	Q7829-60128		Control Panel Overlay Kit- JA
	Q7829-60130		Control Panel Overlay Kit- HE
	Q7829-60120		Control Panel Overlay Kit- DA
	Q7829-60114		Control Panel Overlay Kit- ES
	Q7829-60111		Control Panel Overlay Kit- FR
	Q7829-60113		Control Panel Overlay Kit- DE
	Q7829-60115		Control Panel Overlay Kit- NL
	Q7829-60112		Control Panel Overlay Kit- IT
	Q7829-60116		Control Panel Overlay Kit- PT
	Q7829-60117		Control Panel Overlay Kit- NO
	Q7829-60118		Control Panel Overlay Kit- SV
	Q7829-60119		Control Panel Overlay Kit- FI
	Q7829-60132		Control Panel Overlay Kit- AR
	Q7829-60129		Control Panel Overlay Kit- TR
	Q7829-60131		Control Panel Overlay Kit- EL
	Q7829-60134		Control Panel Overlay Kit- RO
	Q7829-60135		Control Panel Overlay Kit- SK
	Q7829-60136		Control Panel Overlay Kit- SL
	Q7829-60137		Control Panel Overlay Kit- HR
Q7829-60122		Control Panel Overlay Kit- RU	
Q7829-60121		Control Panel Overlay Kit- PL	
Q7829-60123		Control Panel Overlay Kit- CS	
Q7829-60124		Control Panel Overlay Kit- HU	
Control-panel display	Q7829-60102		
Formatter PCA	Q7829-67933	Q7929-69001	
Hard drive	0950-4717		
ADF	Q7829-67901		
Scanner	Q7829-60159		

Table 7-2 Accessories and supplies (continued)

Item	Part number	Service/exchange number	Description
Stapler/stacker (500-sheet)	Q7604-67901		HP LaserJet M5035
Stapler cartridge	C8085-60541		HP LaserJet M5035
Duplexer	Q7549-67901		HP LaserJet M5035
One tray cabinet	Q7834A		HP LaserJet M5035 (not available as a service part)
Three tray cabinet	Q7835A		HP LaserJet M5035 (not available as a service part)

Automatic document feeder (whole unit)

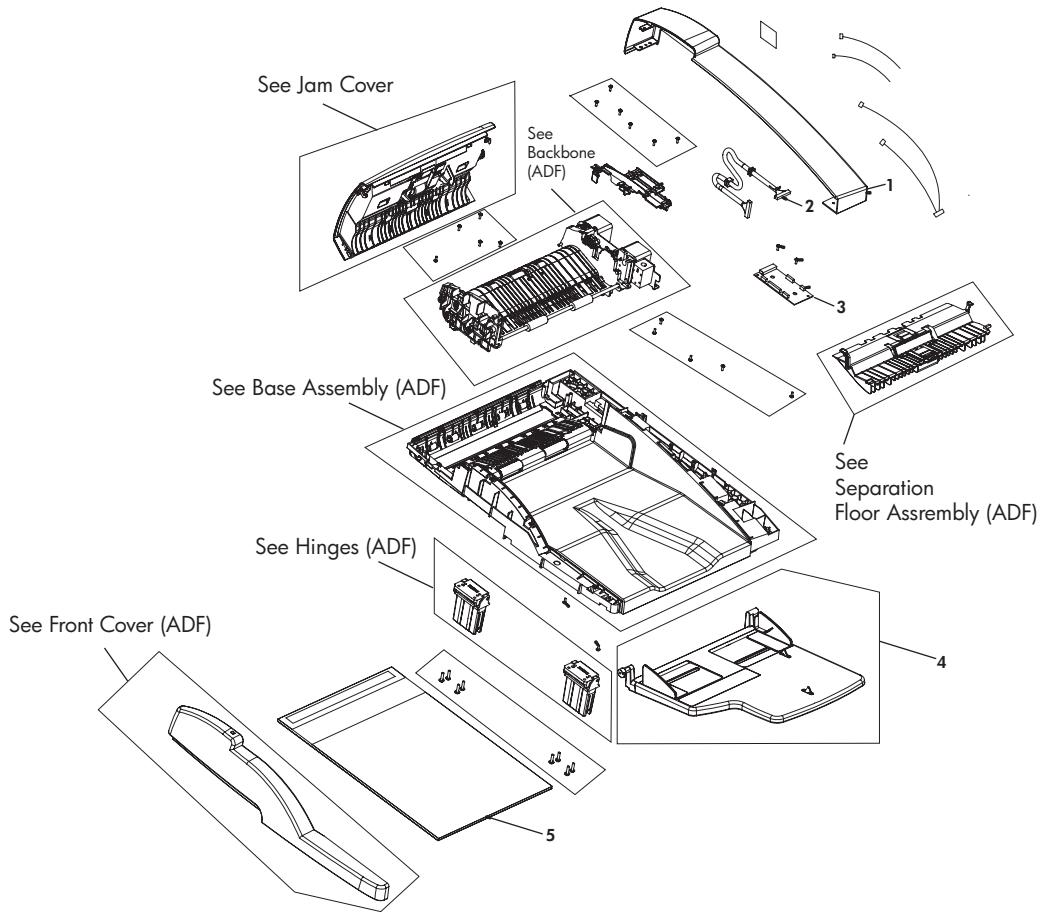


Figure 7-1 ADF

Table 7-3 ADF

Ref	Description	Part number	Qty
All	Automatic document feeder (ADF); whole unit	Q7829-67901	1
1	ADF endcap back	Q7829-67904	1
2	Cable, ADF to scanner	Q7829-67907	1
3	PCA motor assembly	Q7829-67903	1
4	ADF tray input assembly	Q7829-67912	1
5	ADF reflector foam (white backing)	Q7829-67909	1
Not shown	ADF flag sensor LS	Q7829-67913	1
Not shown	ADF photo interrupter with connector	Q7829-67914	1



NOTE Not all components listed in the parts tables can be ordered. If a component listed has an associated part number, then it is a field replaceable unit (FRU) and can be ordered. If the component does not have an associated part number, you must order the FRU that includes the desired component.

Front end cover (ADF)

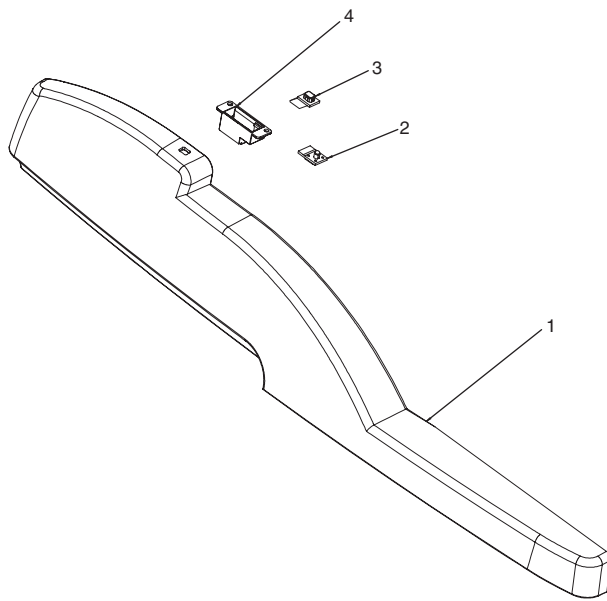


Figure 7-2 Front end cover (ADF)

Table 7-4 Front end cover (ADF)

Ref	Description	Part number	Qty
All	ADF end cover (cap) front	Q7829-67905	1
1	ADF end cover (cap) front		1
2	Media LED		1
3	LED light pipe		1
4	LED housing		1



NOTE Not all components listed in the parts tables can be ordered. If a component listed has an associated part number, then it is a field replaceable unit (FRU) and can be ordered. If the component does not have an associated part number, you must order the FRU that includes the desired component.

Hinges (ADF)

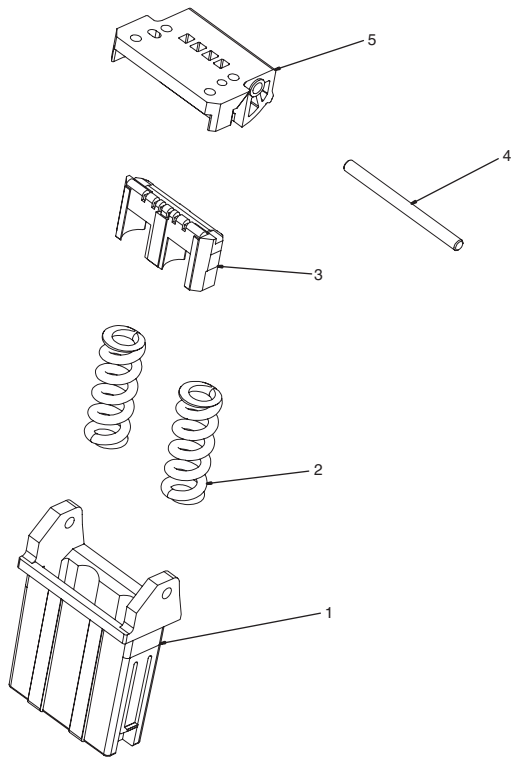


Figure 7-3 Hinges

Table 7-5 Hinges

Ref	Description	Part number	Qty
All	ADF hinge assembly (two are required for the ADF)	Q7829-67916	1
1	Stem, hinge		1
2	Spring, hinge		1
3	Plunger, hinge		1
4	Pin, hinge		1
5	Profile, hinge		1



NOTE Not all components listed in the parts tables can be ordered. If a component listed has an associated part number, then it is a field replaceable unit (FRU) and can be ordered. If the component does not have an associated part number, you must order the FRU that includes the desired component.

Base assembly (ADF)

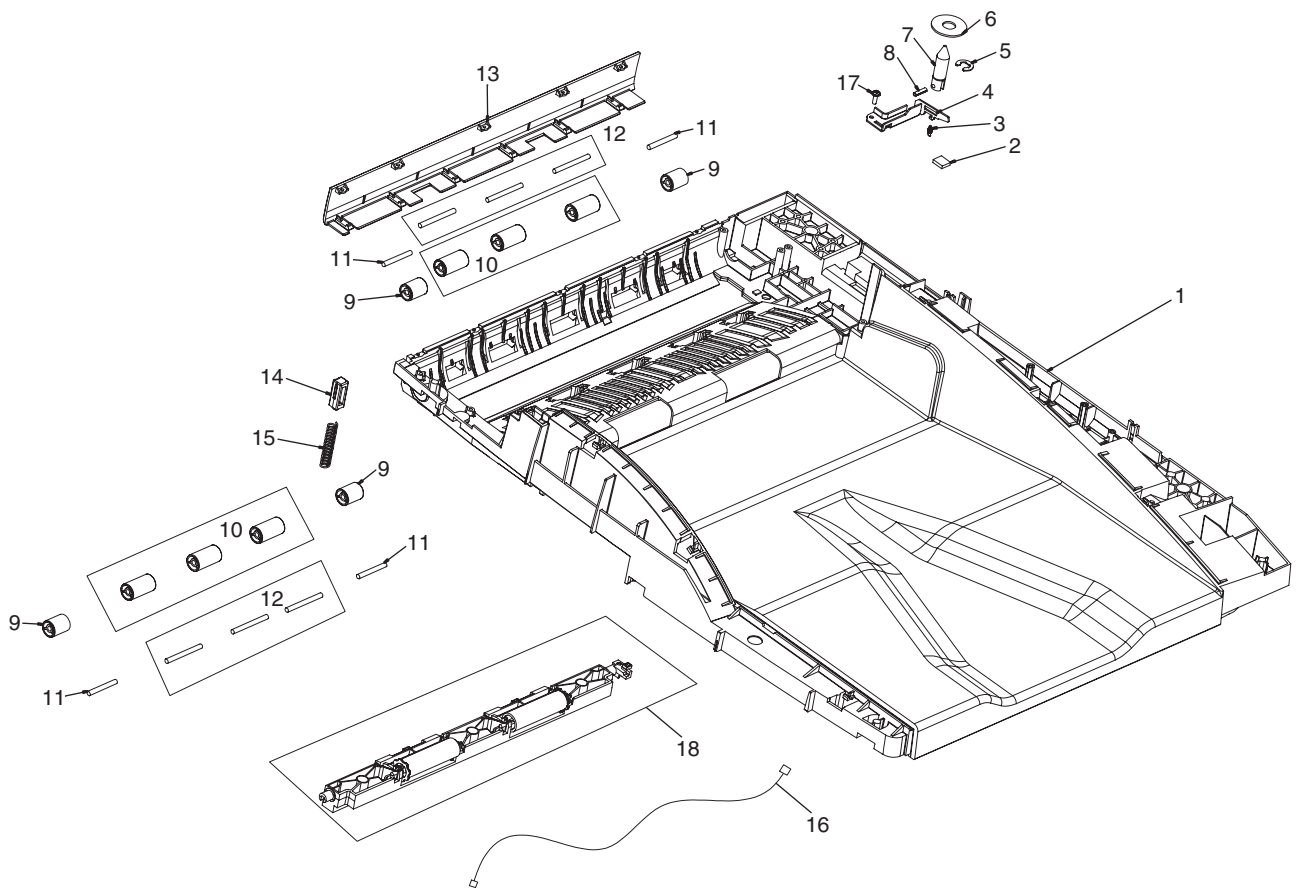


Figure 7-4 Base assembly (ADF)

Table 7-6 Base assembly (ADF)

Ref	Description	Part number	Qty
1	Enclosure, base		1
2	Pad, solenoid		1
3	Spring, extension		1
4	Exit crank		1
5	E-clip		1
6	Damper solenoid		1
7	Solenoid		1
8	Pin 3X12 mm		1
9	Wheel, pinch		4
10	Wheel, pinch L		6
11	Spring, axle		4
12	Spring, axle L		6
13	Cover, left	Q7829-67906	1
14	Plunger, input tray		1
15	Spring, input tray		1
16	Cable, LED and media eject		1
17	Screw, M3X9 PT pan head phillips		1

¹ To order components (other than the left cover) for this assembly, you must order a replacement ADF (Q7829-67901).



NOTE Not all components listed in the parts tables can be ordered. If a component listed has an associated part number, then it is a field replaceable unit (FRU) and can be ordered. If the component does not have an associated part number, you must order the FRU that includes the desired component.

Backbone assembly (ADF)

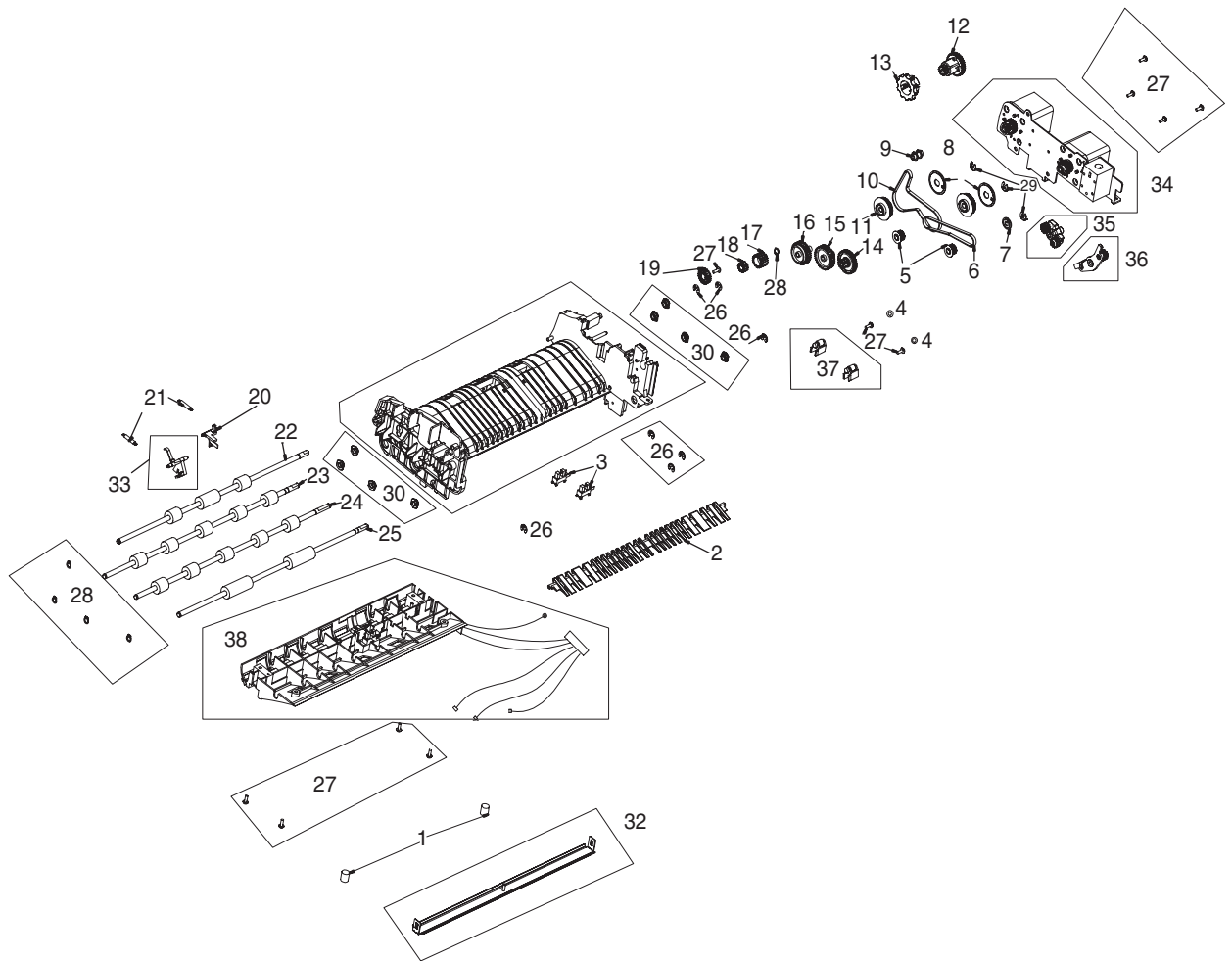


Figure 7-5 Backbone assembly (ADF)

Table 7-7 Backbone assembly (ADF)

Ref	Description	Part number	Qty
1	Spring, float		2
2	ADF diverter	Q7829-67918	1
3	ADF photo interrupter w/connector	Q7829-67914	1
4	Washer, lock 3X5M with external tooth		2
5	Pulley, exit		1
6	Belt, exit		1
7	Retainer, belt exit pulley D1		1
8	Retainer, belt exit pulley D2		2
9	Pulley, belt		1
10	Belt, feed		1
11	Pulley, drive tire		2
12	Gear, 35T - 14T		1
13	Gear, 30T - 12T		1
14	Gear, 30T - 12T		1
15	Gear, 36T		1
16	Gear, 34T		1
17	Gear, 20T		1
18	Gear, deskew 14T		1
19	Gear, 22T		1
20	Flag, prescan		1
21	Spring, tension		2
22	Drivetrain assembly, deskew		1
23	Drivetrain assembly, prescan		1
24	Drivetrain assembly, post scan		1
25	Drivetrain assembly, exit		1
26	E-clip		7
27	Screw, M3X9 PT pan head phillips		11
28	Circle clip		5
29	Retainer STS		3
30	Bushing, feed shaft		8
31	Nyogel (55cc syringe)		1
32	ADF float assembly	Q7829-67917	1



NOTE Not all components listed in the parts tables can be ordered. If a component listed has an associated part number, then it is a field replaceable unit (FRU) and can be ordered. If the component does not have an associated part number, you must order the FRU that includes the desired component.

Jam Cover (ADF)

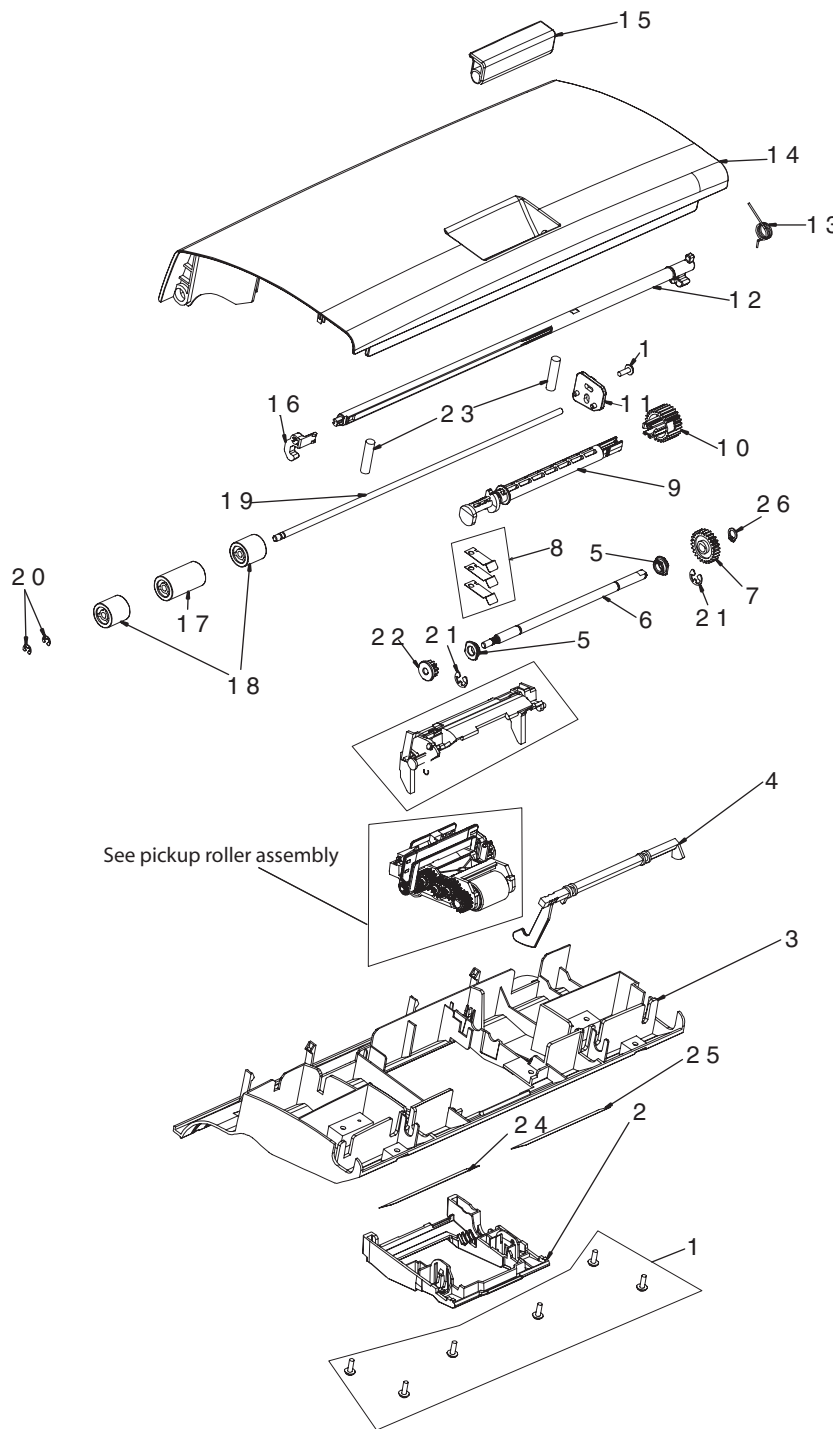


Figure 7-6 Jam cover (ADF)

Table 7-8 Jam cover (ADF)

Ref	Description	Part number	Qty
All	ADF jam cover assembly	Q7829-67910	1
1	Screw, M3X9 PT pan head phillips #2		7
2	Cover ADF pickup roller	Q7829-67920	1
3	Cover, pick		1
4	Flag, media present sensor		1
5	Bushing, feed shaft		2
6	Shaft, pick		1
7	Gear, pick 26T		1
8	Spring, plate detent		3
9	Shaft, cam		1
10	Gear, camshaft 26T		1
11	Adjuster, deskew		1
12	Lock shaft, jam cover		1
13	Spring, jam cover latch		1
14	Cover, jam		1
15	Handle, jam cover		1
16	End cap, jam cover		1
17	Pinch, deskew center		1
18	Pinch, deskew right		2
19	Shaft, pinch deskew		1
20	E-clip (dia 3)		2
21	E-clip (dia 5)		2
22	Gear, pickshaft 12T		1
23	Spring, deskew		2
24	Label, pick roller replacement 1		1
25	Label, pick roller replacement 2		1
26	Circle clip		1



NOTE Not all components listed in the parts tables can be ordered. If a component listed has an associated part number, then it is a field replaceable unit (FRU) and can be ordered. If the component does not have an associated part number, you must order the FRU that includes the desired component.

Pickup roller assembly (ADF)

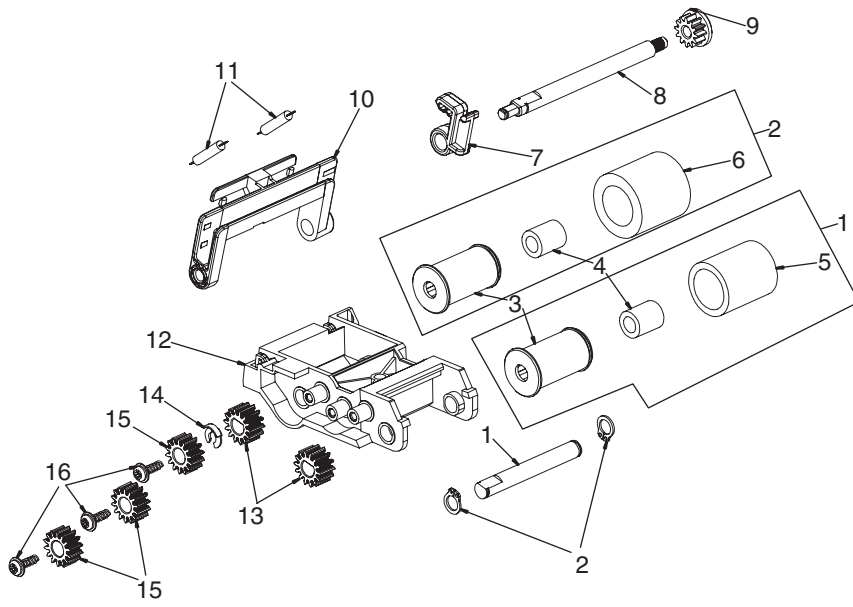


Figure 7-7 Pickup roller assembly (ADF)

Table 7-9 Pickup roller assembly (ADF)

Ref	Description	Part number	Qty
All	ADF cover pickup roller (part of the ADF maintenance kit)	Q7842-67902	1
1	Shaft, pick		1
2	Circle clip		2
3	Hub, separation		2
4	Clutch, single direction		2
5	Tire, pick		1
6	Tire, separation		1
7	Latch, pickup		1
8	Shaft, pickup		1
9	Gear, pick shaft 12T		1
10	Body, slider		1
11	Spring, bias pick		2
12	Holder, pick		1
13	Gear, deskew 14T		2
14	Retainer STS		1
15	Gear, swing 14T		3
16	Screw, M3X9 PT pan head phillips #2		3

¹ The ADF pickup roller is part of the ADF maintenance kit (which also includes the ADF separation pad).



NOTE Not all components listed in the parts tables can be ordered. If a component listed has an associated part number, then it is a field replaceable unit (FRU) and can be ordered. If the component does not have an associated part number, you must order the FRU that includes the desired component.

Separation pad assembly (ADF)

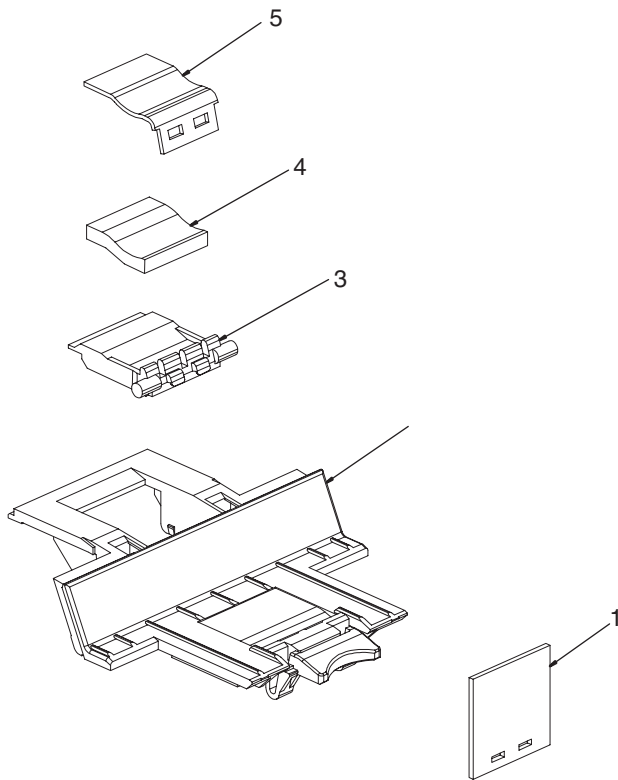


Figure 7-8 Separation pad assembly (ADF)

Table 7-10 Separation pad assembly (ADF)

Ref	Description	Part number	Qty
All	Separation pad assembly (part of the ADF maintenance kit)	Q7842-67902	1
1	Pad, friction		1
2	Base, separation		1
3	Base, separation pad		1
4	Foam separation		1
5	Pad, separation		1

¹ The ADF separation pad is part of the ADF maintenance kit (which also includes the ADF pickup roller).



NOTE Not all components listed in the parts tables can be ordered. If a component listed has an associated part number, then it is a field replaceable unit (FRU) and can be ordered. If the component does not have an associated part number, you must order the FRU that includes the desired component.

Separation floor assembly (ADF)

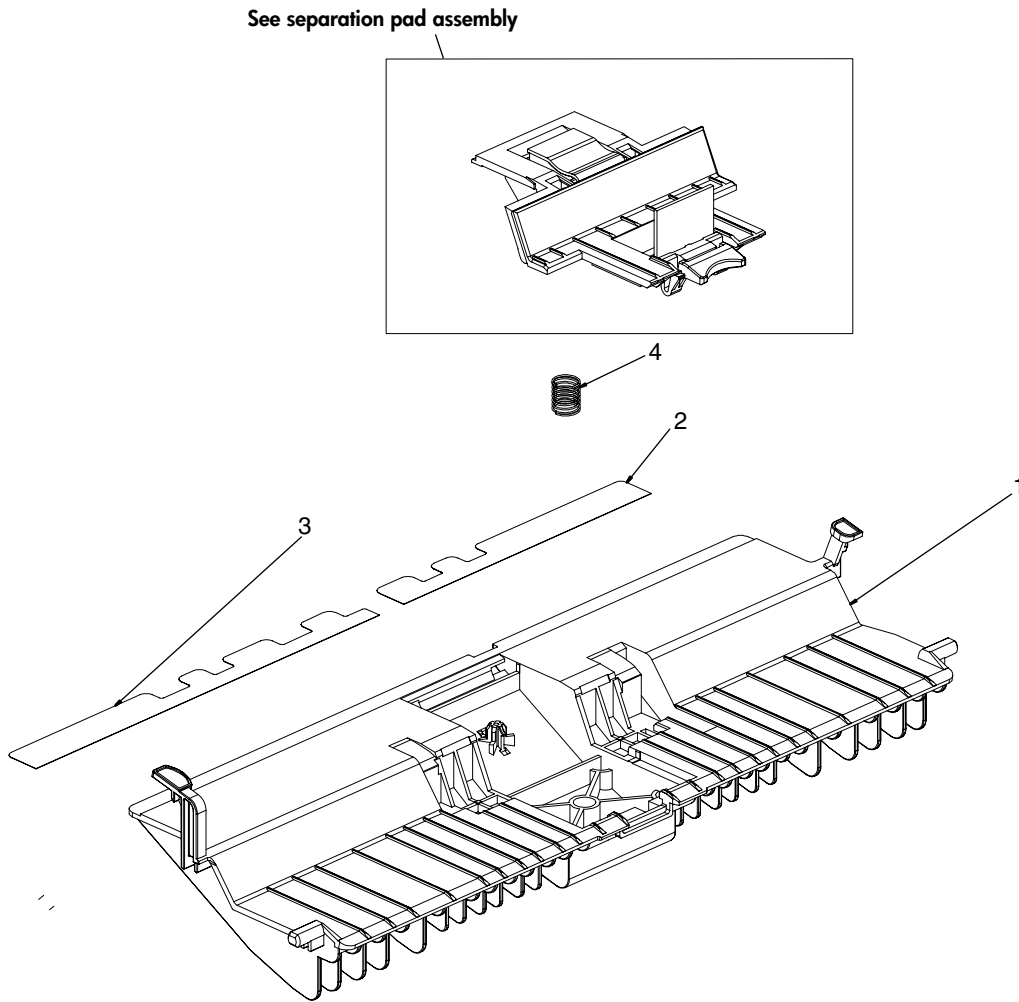


Figure 7-9 Separation floor assembly (ADF)

Table 7-11 Separation floor assembly (ADF)

Ref	Description	Part number	Qty
1	ADF separation floor assembly	Q7829-67909	1
2	Mylar, short separation right		1
3	Mylar, separation left		1
4	Spring, separation		1



NOTE Not all components listed in the parts tables can be ordered. If a component listed has an associated part number, then it is a field replaceable unit (FRU) and can be ordered. If the component does not have an associated part number, you must order the FRU that includes the desired component.

Scanner assembly base

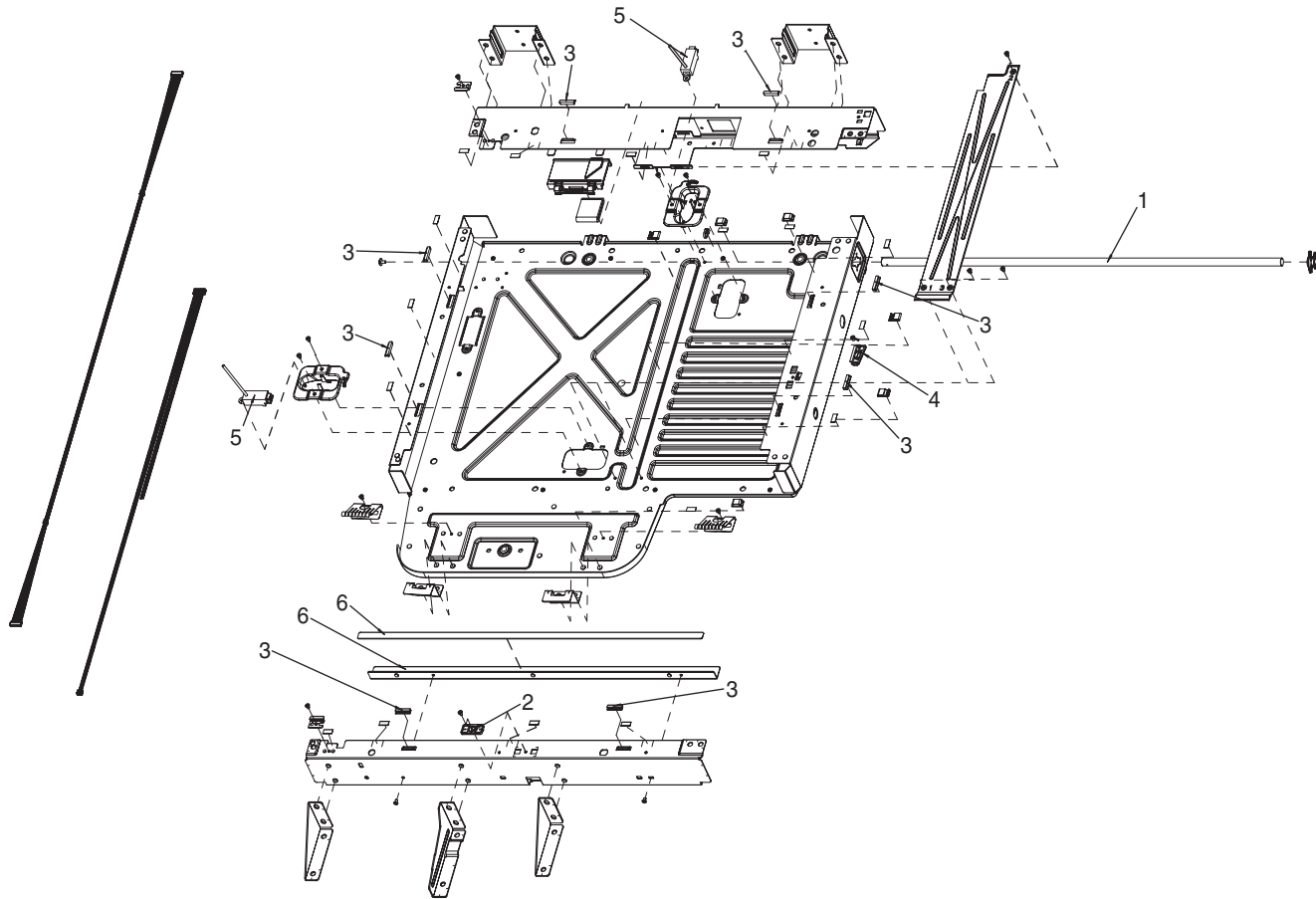


Figure 7-10 Scanner assembly base

Table 7-12 Scanner assembly base

Ref	Description	Part number	Qty
All	Scanner	Q7829-60159	1
1	Rod	Q7829-60160	1
2	Guide, glass	Q7829-60157	1
3	Rubber, guide	Q7829-60162	8
4	Guide, glass	Q7829-60158	1
5	Sensor, paper	Q7829-60163	2
6	Rail and slide sheet assembly	Q7829-60164	1



Tip To order a whole unit replacement scanner, see [Accessories, supplies, and whole unit components on page 573](#).



NOTE Not all components listed in the parts tables can be ordered. If a component listed has an associated part number, then it is a field replaceable unit (FRU) and can be ordered. If the component does not have an associated part number, you must order the FRU that includes the desired component.

Carriage assembly (scanner; optical assembly)

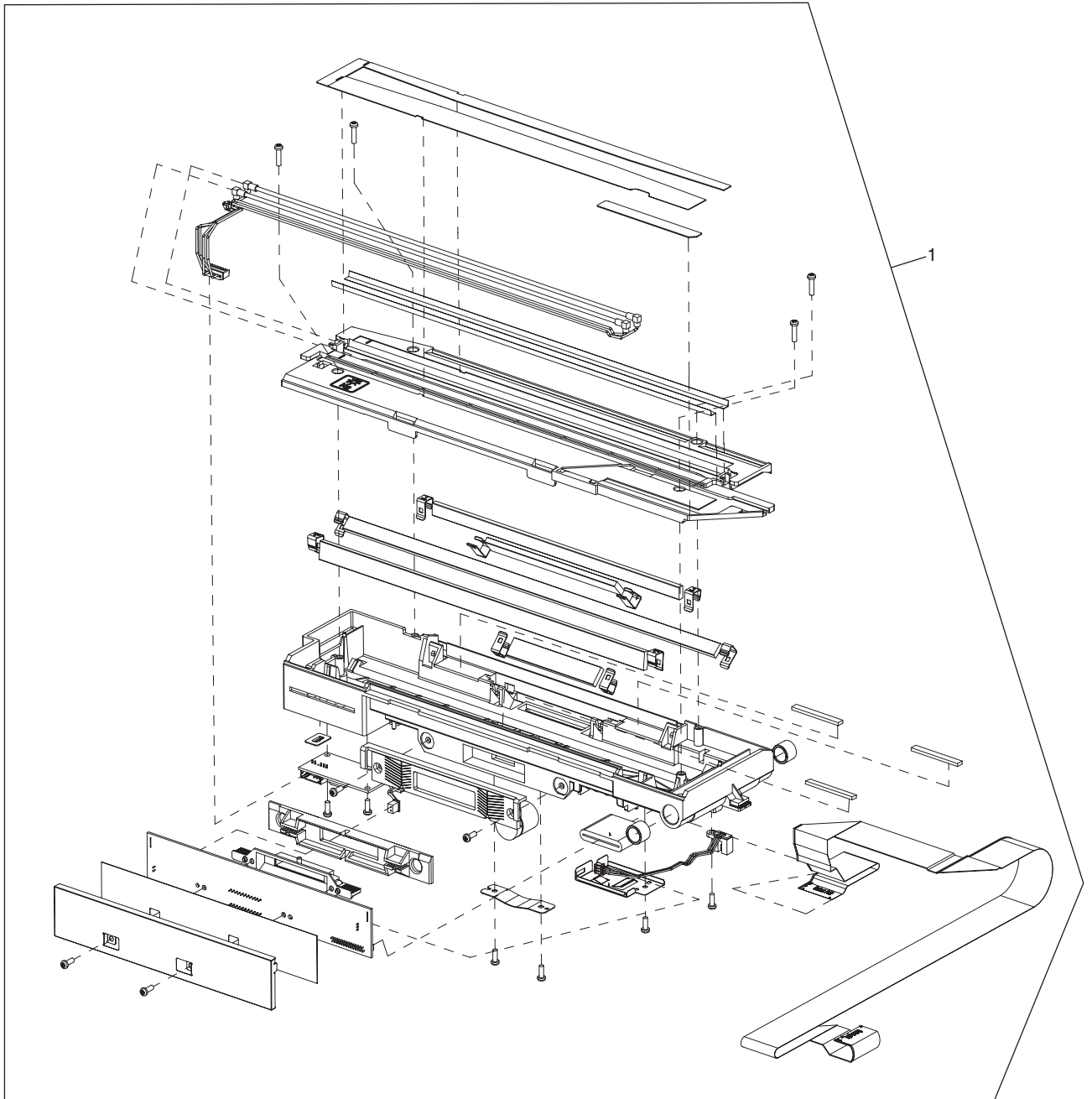


Figure 7-11 Carriage assembly (scanner; optical assembly)

Table 7-13 Carriage assembly (scanner; optical assembly)

Ref	Description	Part number	Qty
1	Carriage assembly (optical assembly)	Q7829-60166	1



NOTE Not all components listed in the parts tables can be ordered. If a component listed has an associated part number, then it is a field replaceable unit (FRU) and can be ordered. If the component does not have an associated part number, you must order the FRU that includes the desired component.

Scanner top assembly

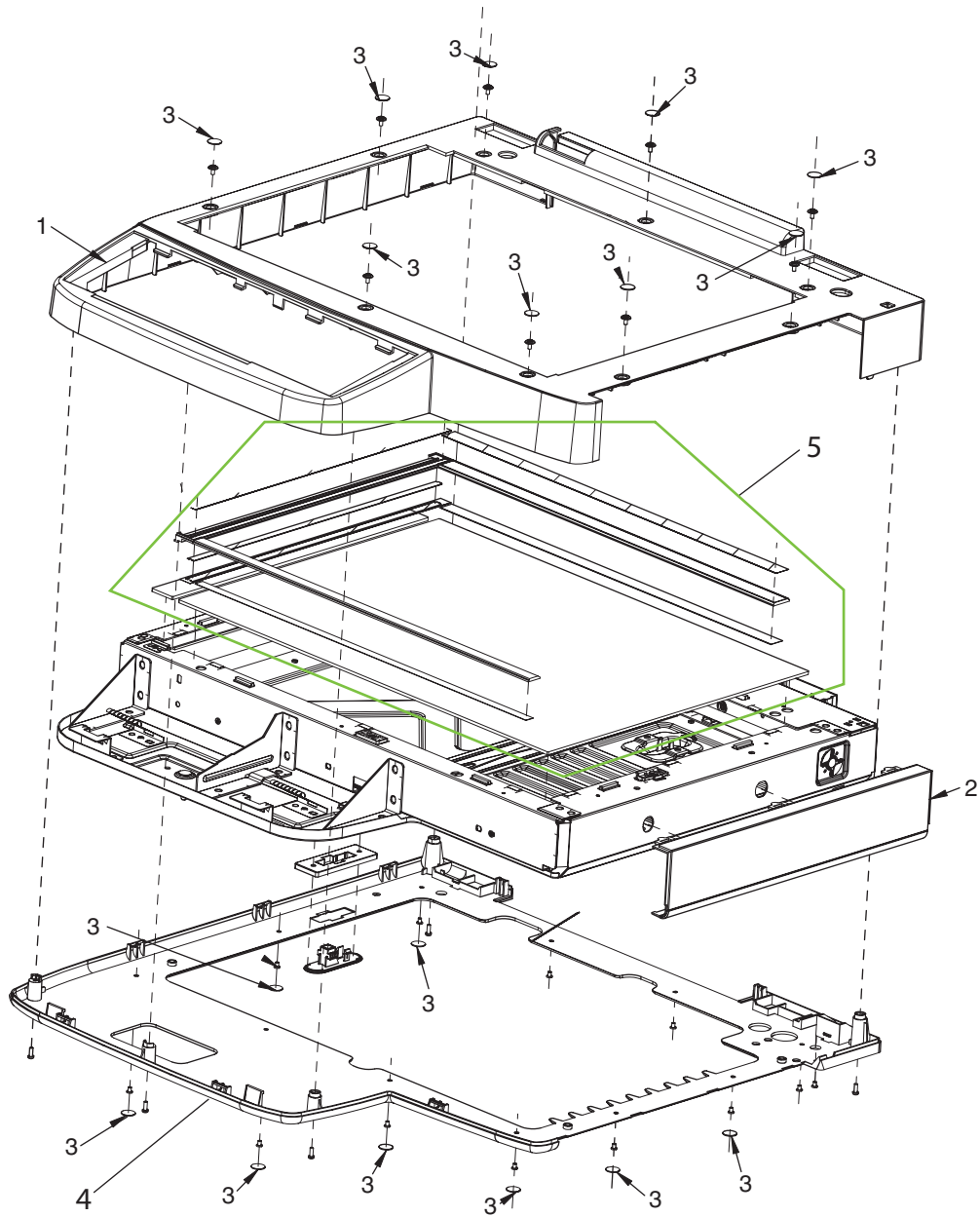


Figure 7-12 Scanner top assembly

Table 7-14 Scanner top assembly

Ref	Description	Part number	Qty
1	Top cover	Q7829-60152	1
2	Right cover	Q7829-60153	1
3	Adhesive cover	Q7829-60144	1
4	Cover, bottom	Q7829-60154	1
5	Glass	Q7829-60143	1



NOTE Not all components listed in the parts tables can be ordered. If a component listed has an associated part number, then it is a field replaceable unit (FRU) and can be ordered. If the component does not have an associated part number, you must order the FRU that includes the desired component.

Scanner controller board (SCB) assembly

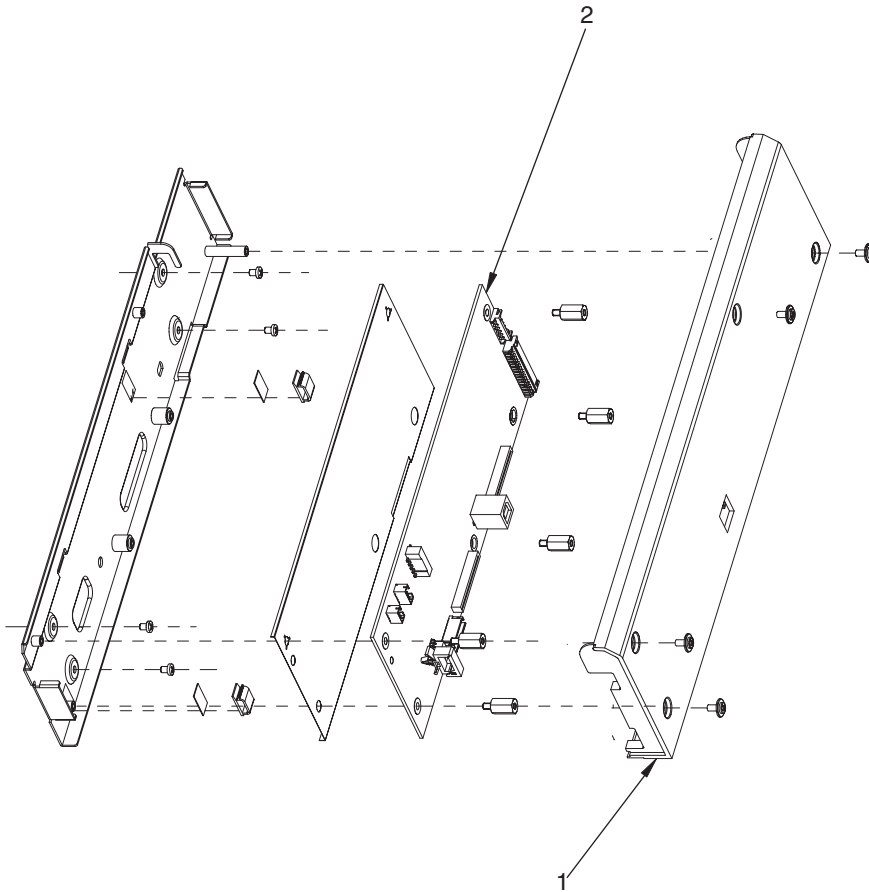


Figure 7-13 Scanner controller board (SCB) assembly

Table 7-15 Scanner controller board (SCB) assembly

Ref	Description	Part number	Qty
1	Cover, Scanner controller board (main board cover)	Q7829-60145	1
2	Scanner controller board PCA (main board)	Q7829-60165	1



NOTE Not all components listed in the parts tables can be ordered. If a component listed has an associated part number, then it is a field replaceable unit (FRU) and can be ordered. If the component does not have an associated part number, you must order the FRU that includes the desired component.

Scanner lid sensor assembly

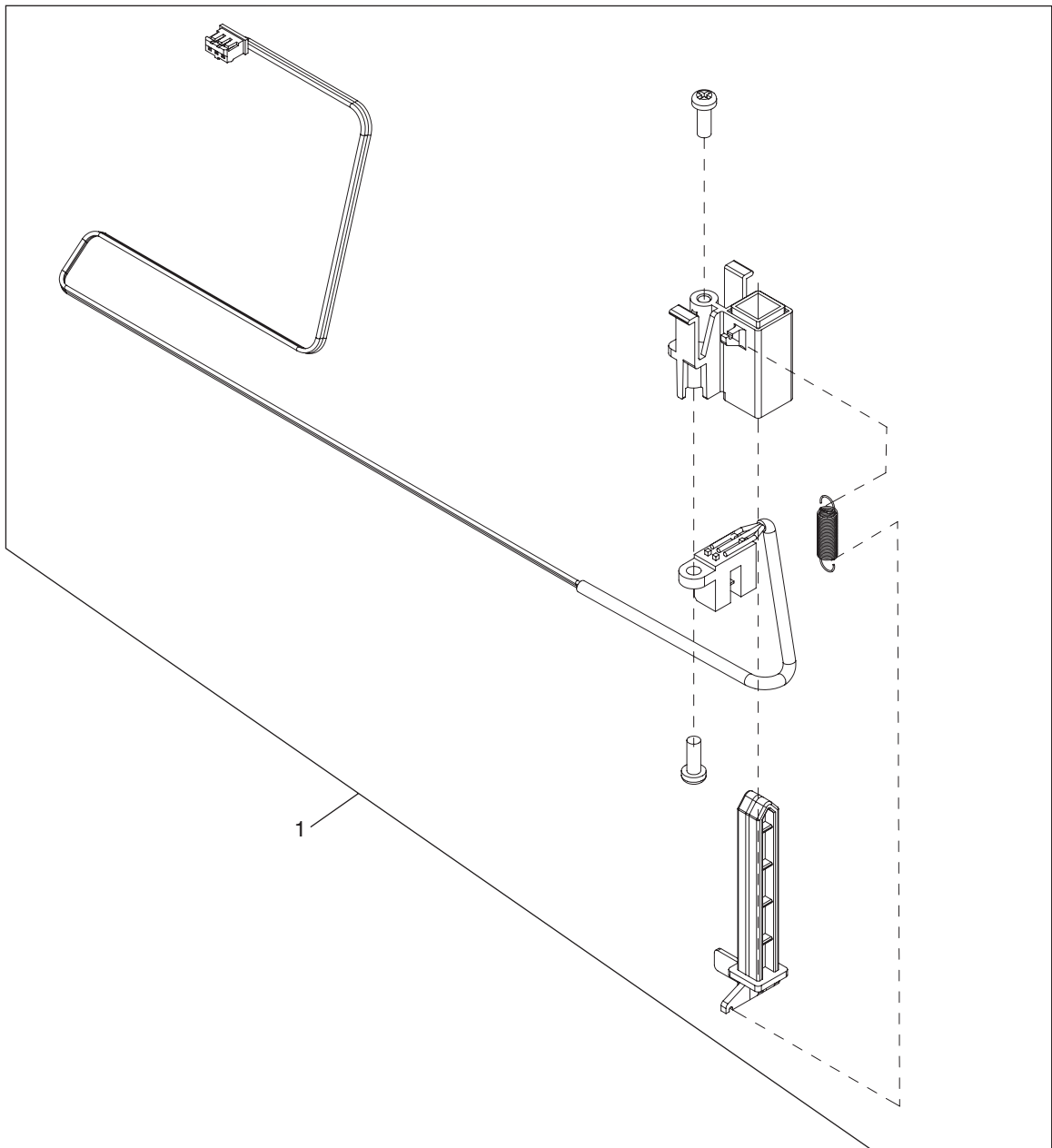


Figure 7-14 Scanner lid sensor assembly

Table 7-16 Scanner lid sensor assembly

Ref	Description	Part number	Qty
1	Scanner lid sensor assembly	Q7829-60148	1



NOTE Not all components listed in the parts tables can be ordered. If a component listed has an associated part number, then it is a field replaceable unit (FRU) and can be ordered. If the component does not have an associated part number, you must order the FRU that includes the desired component.

Scanner transmission drive assembly

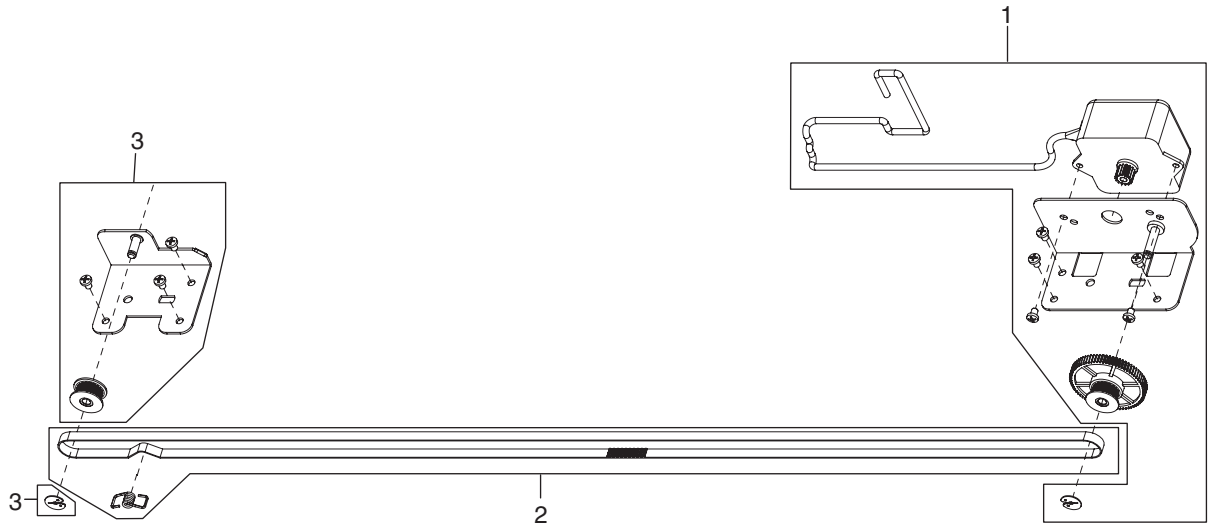


Figure 7-15 Scanner transmission drive assembly

Table 7-17 Scanner transmission drive assembly

Ref	Description	Part number	Qty
1	Motor, transmission	Q7829-60149	1
2	Timing belt, transmission	Q7829-60150	1
3	Pulley, transmission	Q7829-60151	1



NOTE Not all components listed in the parts tables can be ordered. If a component listed has an associated part number, then it is a field replaceable unit (FRU) and can be ordered. If the component does not have an associated part number, you must order the FRU that includes the desired component.

Stapler/stacker assembly main body

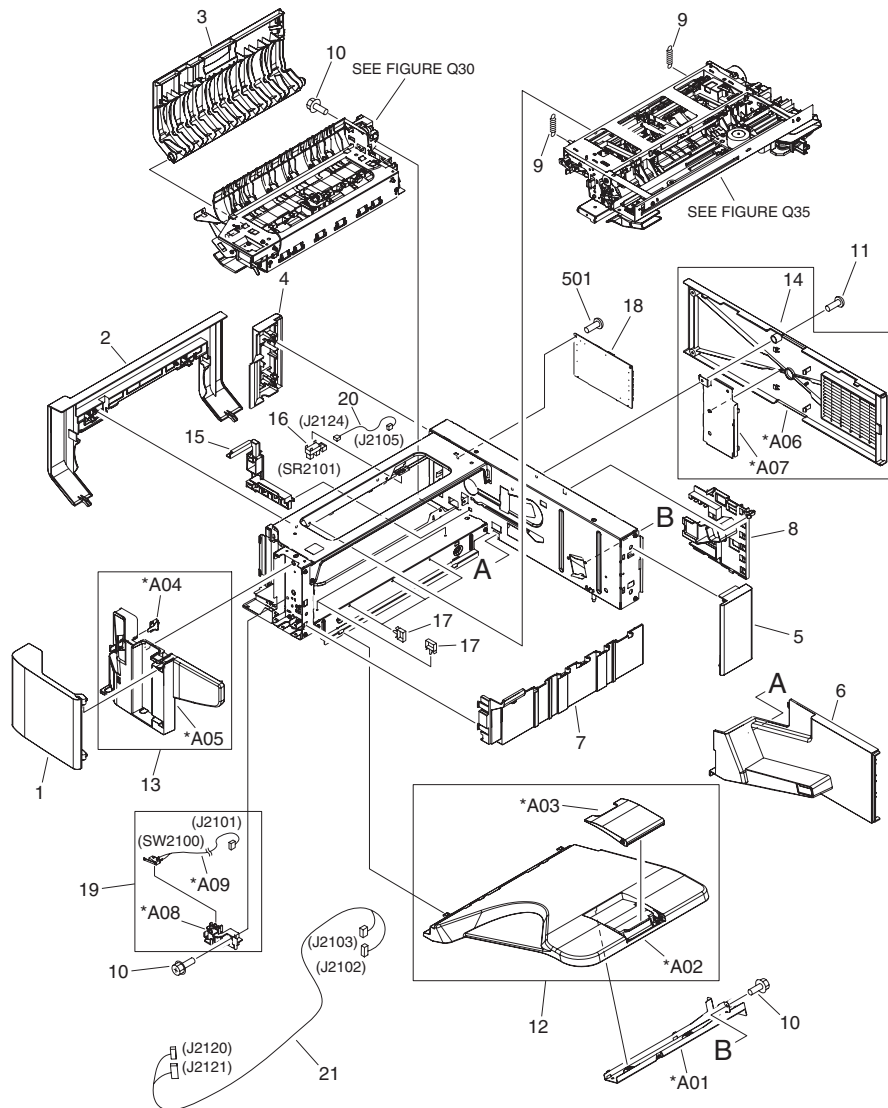


Figure 7-16 Main body (stapler/stacker)

Table 7-18 Main body (stapler/stacker)

Ref	Description	Part number	Qty
All	Staple stacker	Q7604-67901	1
1	Door, front	RC1-9716-000CN	1
2	Cover, left	RC1-9718-000CN	1
3	Door, left	RC1-9719-000CN	1
4	Cover, rear left		1
5	Cover, rear right		1
6	Cover, rear inner		1
7	Cover, stack	RC1-9724-000	1
8	Guide, FFC	RC1-9767-000CN	1
9	Spring, tension	RU5-2731-000CN	2
10	Screw, RS, M3X8		29
11	Screw, D, MX6		3
12	Tray assembly	RM1-3093-000CN	1
13	Stapler cover assembly	RM1-3094-000CN	1
14	Rear cover assembly	RM1-3095-000CN	1
15	Guide, frame cable		1
16	Photo interrupter, TLP1243	WG8-5696-000CN	1
17	Saddle, wire		5
18	Staple stacker PCA assembly		1
19	Interlock assembly	RM1-3087-000CN	1
20	Cable, left door sensor		1
21	Cable, staple unit		1
501	Screw, TP, M3X8		2
A01	Cross member, tray		1
A02	Tray		1
A03	Tray, extension		1
A04	Support, front door	RC1-9725-000CN	1
A05	Cover, stapler		1
A06	Cover, rear		1
A07	Plate, front frame shield		1
A08	Holder, interlock switch		1
A09	Cable, front door switch		1



NOTE Not all components listed in the parts tables can be ordered. If a component listed has an associated part number, then it is a field replaceable unit (FRU) and can be ordered. If the component does not have an associated part number, you must order the FRU that includes the desired component.



Tip To order a whole unit replacement stapler/stacker, see [Accessories, supplies, and whole unit components on page 573](#).

Paper feed assembly (stapler/stacker)

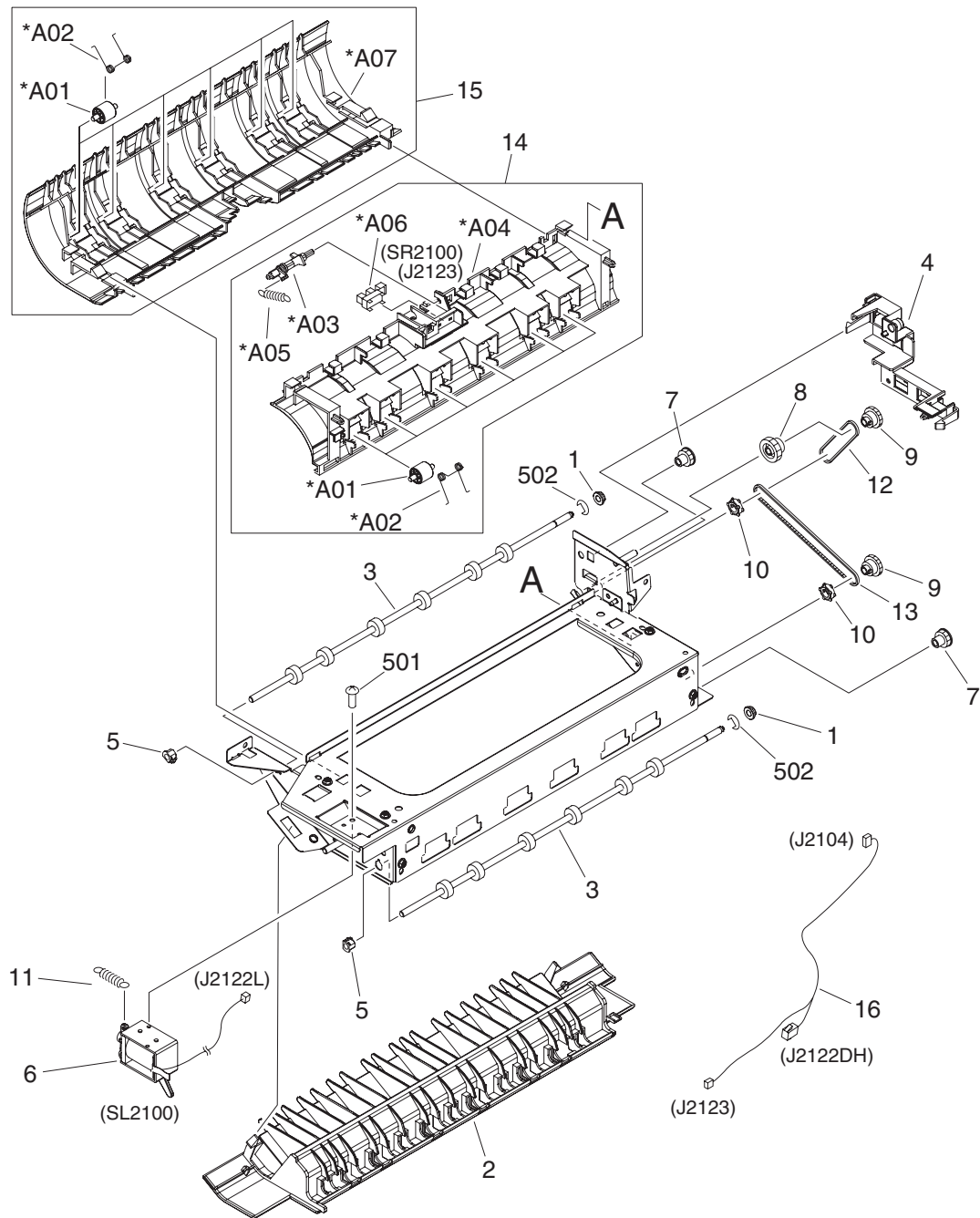


Figure 7-17 Paper feed assembly (stapler/stacker)

Table 7-19 Paper feed assembly (stapler/stacker)

Ref	Description	Part number	Qty
All	Paper feed assembly (stapler/stacker)	RM1-3088-000CN	1
1	Bushing		1
2	Guide, lower		1
3	Roller, paper feed		2
4	Guide, paper feed cable		1
5	Bushing		2
6	Solenoid, flapper		1
7	Gear, 21T		2
8	Gear, 18T		1
9	Gear, 27T		2
10	Pulley		2
11	Spring, compression		1
12	Belt, timing		1
13	Belt, timing		1
14	Upper guide assembly, 1		1
15	Upper guide assembly, 2		1
16	Cable, paper feed unit		1
501	Screw, TP, M3X4		2
502	Ring, E		2
A01	Roller, reserve		12
A02	Spring, torsion		12
A03	Flag, inlet sensor		1
A04	Guide, upper, 1		1
A05	Spring, tension		1
A06	Photo interrupter, TLP1243		1
A07	Guide, upper, 2		1



NOTE Not all components listed in the parts tables can be ordered. If a component listed has an associated part number, then it is a field replaceable unit (FRU) and can be ordered. If the component does not have an associated part number, you must order the FRU that includes the desired component.

Alignment and jogger assembly (stapler/stacker)

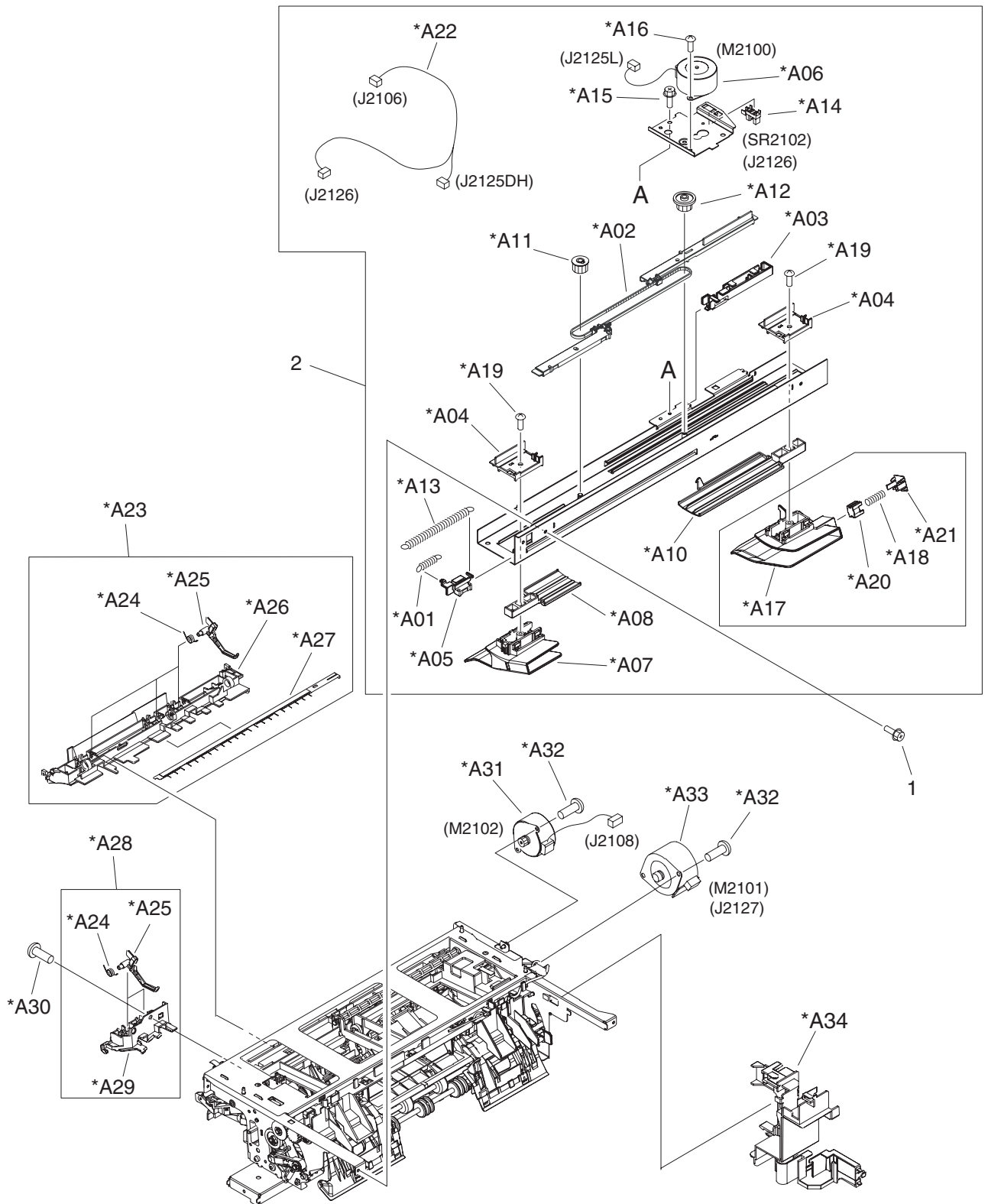


Figure 7-18 Alignment/jogger assembly (stapler/stacker)

Table 7-20 Alignment and jogger assembly (stapler/stacker)

Ref	Description	Part number	Qty
All	Alignment and jogger assembly	RM1-3098-000CN	1
1	Screw, RS, M3X8	XA9-1386-000CN	3
2	Jog guide assembly	RM1-3099-000CN	1
A01	Spring, tension		1
A02	Jog guide belt assembly		1
A03	Guide, jog cable		1
A04	Cap, rail		2
A05	Guide, rail		1
A06	Motor, stepping, DC		1
A07	Guide, slide, front		1
A08	Cover, jog, front		1
A09	Slide guide rear assembly		1
A10	Cover, jog, rear		1
A11	Pulley, 26T		1
A12	Pulley/gear, 37T		1
A13	Spring, tension		1
A14	Photo interrupter, TLP1243		1
A15	Screw, RS, M3X8		1
A16	Screw, w/washer, M3X8		2
A17	Guide, slide, rear		1
A18	Spring, compression		1
A19	Screw, tapping, pan head, M4X10		2
A20	Guide, jog surface		1
A21	Stopper, surface guide		1
A22	Cable, jog unit		1
A23	Left guide assembly		1
A24	Spring, torsion		5
A25	Flag, retaining		1
A26	Guide, left		1
A27	Eliminator, static charge		1
A28	Left guide front assembly		1
A29	Guide, left, front		1
A30	Screw, tapping, pan head, M4X10		1
A31	Motor, stepping DC		1

Ref	Description	Part number	Qty
A32	Screw, w/washer, M3X8		4
A33	Motor, stepping DC		1
A34	Guide, stage cable		1



NOTE Not all components listed in the parts tables can be ordered. If a component listed has an associated part number, then it is a field replaceable unit (FRU) and can be ordered. If the component does not have an associated part number, you must order the FRU that includes the desired component.

Stapler assembly (stapler/stacker)

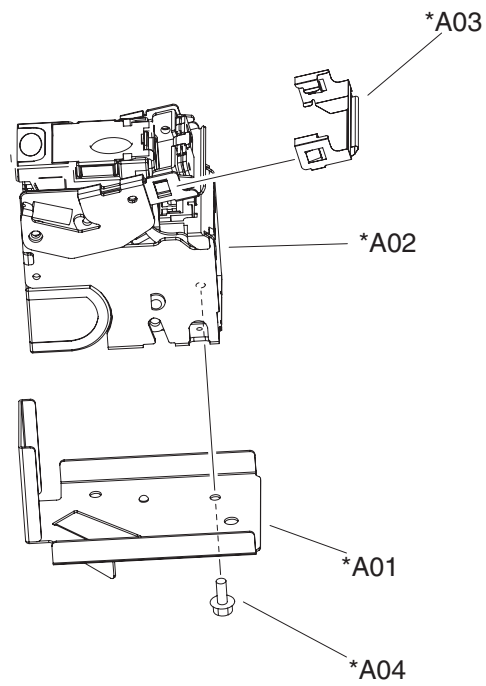


Figure 7-19 Stapler assembly (stapler/stacker)

Table 7-21 Stapler assembly (stapler/stacker)

Ref	Description	Part number	Qty
All	Stapler assembly	RM1-3092-000CN	1
A01	Holder, stapler	RC1-9770-000CN	1
A02	Stapler, unit		
A03	Guide, clinch		
A04	Screw, RS, M3X8		



NOTE Not all components listed in the parts tables can be ordered. If a component listed has an associated part number, then it is a field replaceable unit (FRU) and can be ordered. If the component does not have an associated part number, you must order the FRU that includes the desired component.

Stapler/stacker PCA

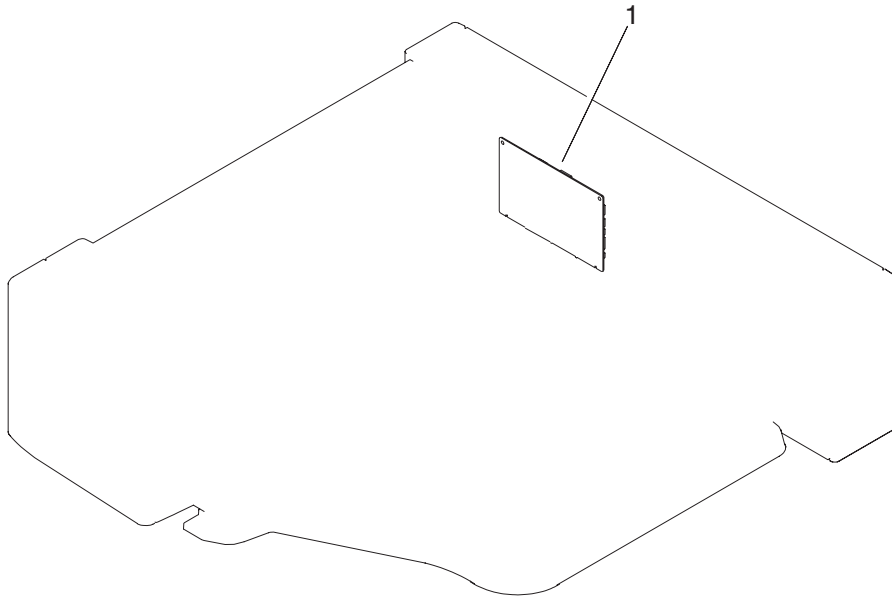


Figure 7-20 Stapler/stacker PCA assembly

Table 7-22 Stapler/stacker PCA assembly

Ref	Description	Part number	Qty
All	Staple stacker PCA assembly	RM1-3828-000CN	1



NOTE Not all components listed in the parts tables can be ordered. If a component listed has an associated part number, then it is a field replaceable unit (FRU) and can be ordered. If the component does not have an associated part number, you must order the FRU that includes the desired component.

Print engine external covers and panels

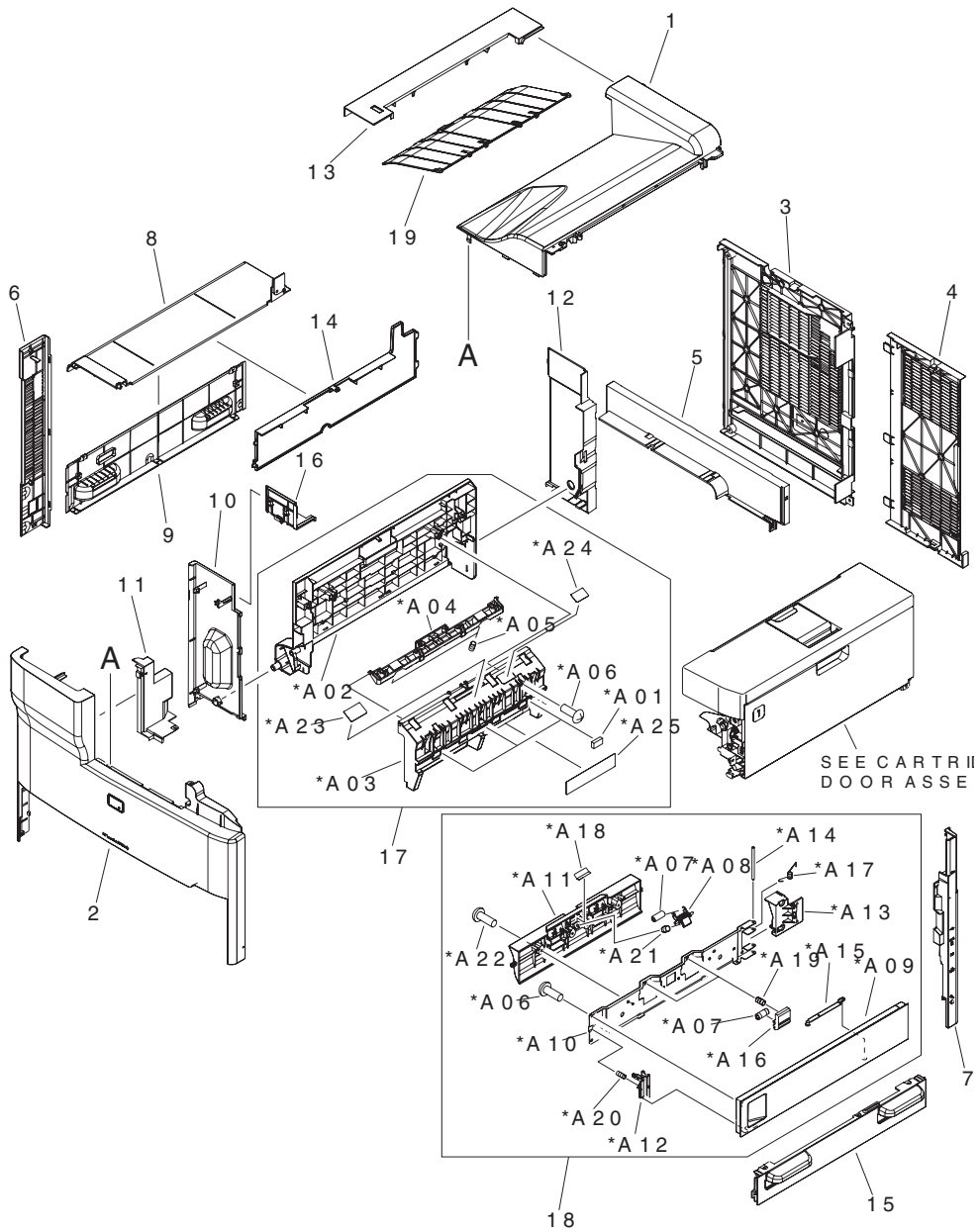


Figure 7-21 External panel and covers (print engine)

Table 7-23 External panels and covers (print engine)

Ref	Description	Part number	Qty
1	Cover, facedown, top	RC1-82220-000CN	1
2	Cover, front	RC1-8221-000CN	1
3	Cover, rear	RC1-8223-000CN	1
4	Cover, formatter	RC1-8224-000CN	1
5	Cover, rear inner, right		1
6	Cover, left, rear	RC1-8225-000CN	1
7	Cover, right, rear	RC1-8226-000CN	1
8	Cover, left, upper	RC1-8227-000CN	1
9	Cover, left, lower	RC1-8228-000CN	1
10	Cover, inner, front		1
11	Cover, facedown side	RC1-8231-000CN	1
12	Cover, rear inner, left		1
13	Cover, top	RC1-8233-000CN	1
14	Cover, duplexing blanking	RC1-8235-000CN	1
15	Cover, grip, right	RC1-8236-000CN	1
16	Cover, inner top	RC1-8327-000CN	1
17	Left door assembly	RM1-2990-000CN	1
18	Right door assembly	RM1-2991-000CN	1
19	Tray, sub	RC1-8137-000CN	1
A01	Pad, flapper		3
A02	Door, left		1
A03	Guide, facedown		1
A04	Handle, door, left		1
A05	Spring, compression		2
A06	Screw, tapping, truss head, M4X10		6
A07	Roller, idler		3
A08	Holder, paper re-pickup roller		1
A09	Door, right		1
A10	Cross member, door, right		1
A11	Guide, paper feed, lower		1
A12	Latch, door, right		1
A13	Hinge, door, right		1
A14	Shaft, door hinge, right		1
A15	Link, door, right		1

Ref	Description	Part number	Qty
A16	Holder, roller, lower		2
A17	Spring, grounding		1
A18	Sheet, roller		1
A19	Spring, compression		2
A20	Spring, compression		1
A21	Spring, compression		1
A22	Screw, M3X8		4
A23	Label, door jam clearing, left		1
A24	Label, high temperature caution		1
A25	Label, high temperature caution		1



NOTE Not all components listed in the parts tables can be ordered. If a component listed has an associated part number, then it is a field replaceable unit (FRU) and can be ordered. If the component does not have an associated part number, you must order the FRU that includes the desired component.

Cartridge door assembly (print engine)

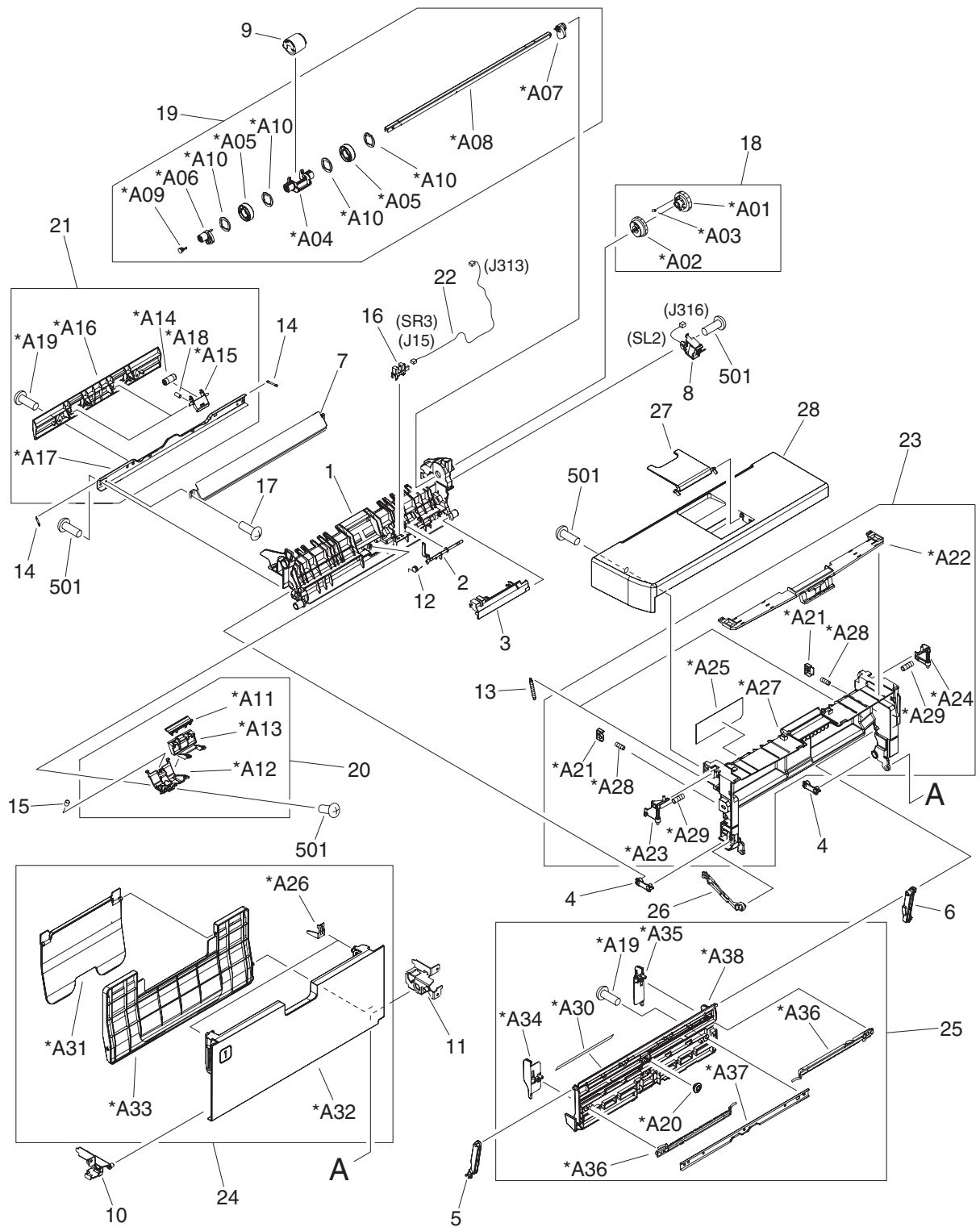


Figure 7-22 Cartridge door assembly (print engine)

Table 7-24 Cartridge door assembly (print engine)

Ref	Description	Part number	Qty
	Cartridge door assembly	RM1-2984-000CN	1
1	Guide, paper feed		1
2	Lever, multipurpose sensor		1
3	Cover, sensor		1
4	Rod, main frame		2
5	Arm, multipurpose, left		1
6	Arm, multipurpose, right		1
7	Cover, roller holder		1
8	Solenoid		1
9	Roller, multipurpose paper pickup	RL1-0915-000CN	1
10	Hinge, cartridge door, front		1
11	Hinge, cartridge door, rear		1
12	Spring, torsion		1
13	Spring, tension	RU5-2548-000CN	2
14	Spring, tension		2
15	Spring, compression	RU5-2553-000CN	1
16	Photo interrupter, TLP1243	WG8-5696-000CN	1
17	Screw, D, M3X6		2
18	Pick gear assembly		1
19	Paper pickup shaft assembly		1
20	Multipurpose pad assembly	RM1-2462-000CN	1
21	Roller assembly		1
22	Cable, sensor		1
23	Cartridge door base assembly	RM1-2985-000CN	1
24	Multipurpose (Tray 1) cover assembly	RM1-2986-000CN	1
25	Multipurpose tray assembly		1
26	Stopper, cartridge door	RC1-8021-000CN	1
27	Tray, facedown extension		1
28	Cover, cartridge		1
501	Screw, tapping, truss head, M4X10		6
A01	Gear, 32T		1
A02	Gear, 32T		1
A03	Spring, compression		1
A04	Holder, multipurpose roller		1

Ref	Description	Part number	Qty
A05	Roller, multipurpose		2
A06	Cam, multipurpose, left		1
A07	Cam, multipurpose, right		1
A08	Shaft, multipurpose paper pickup		1
A09	Cap, conductive		1
A10	Weight, multipurpose roller		4
A11	Pad, separation		1
A12	Holder, multipurpose arm		1
A13	Arm, multipurpose pad		1
A14	Roller, idler		2
A15	Holder, roller		2
A16	Case, roller		1
A17	Cross member, roller		1
A18	Spring, compression		2
A19	Screw, D, M3X6		5
A20	Gear, 18T		1
A21	Button, frame pressure		2
A22	Lever, cartridge cover lock		1
A23	Lock, cartridge door, left		1
A24	Lock, cartridge door, right		1
A25	Label, jam clearing		1
A26	Spring, leaf		2
A27	Base, cartridge door		1
A28	Spring, compression		2
A29	Spring, compression		2
A30	Label, paper size indication		1
A31	Tray, extension		1
A32	Cover, multipurpose		1
A33	Tray, extension		1
A34	Plate, multipurpose limit, left		1
A35	Plate, multipurpose limit, right		1
A36	Rack, multipurpose		2
A37	Plate, reinforcement		1
A38	Pate, multipurpose, lifter		1



NOTE Not all components listed in the parts tables can be ordered. If a component listed has an associated part number, then it is a field replaceable unit (FRU) and can be ordered. If the component does not have an associated part number, you must order the FRU that includes the desired component.

Internal components (print engine 1 of 3)

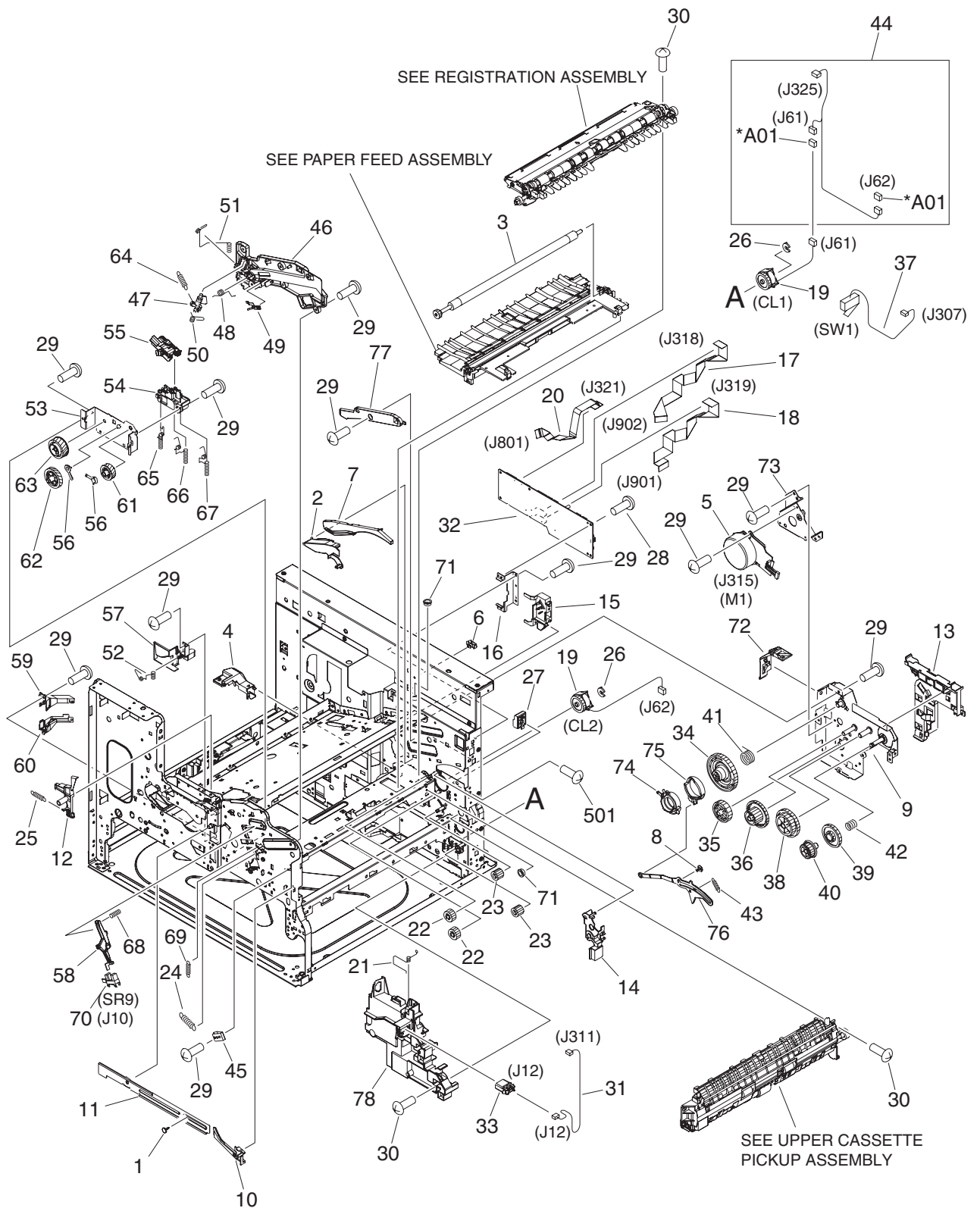


Figure 7-23 Internal components (1 of 3) (print engine)

Table 7-25 Internal components (1 of 3) (print engine)

Ref	Description	Part number	Qty
1	Stopper, busing arm	RC1-3090-000CN	1
2	Cover, gear, right upper	RC1-7019-000CN	1
3	Roller, transfer	RM1-2485-000CN	1
4	Cap, paper feed guide	RC1-7141-000CN	1
5	Main motor assembly	RM1-2516-000CN	1
6	Clip, cable		1
7	Guide, cartridge, right lower	RC1-7286-000CN	1
8	Stopper, link	RC1-7288-000CN	1
9	Plate, gear	RL1-0951-000CN	1
10	Guide, cartridge door stopper	RC1-8022-000CN	1
11	Link, fuser drive release		1
12	Lever, fuser shutter	RC1-8032-000CN	1
13	Guide, cable		1
14	Cover, gear, rear	RC1-8164-000CN	1
15	Mount, interlock guide	RC1-8165-000CN	1
16	Support, DC controller		1
17	Cable, flexible flat, 21P	RK2-1053-000CN	1
18	Cable, flexible flat, 23P	RK2-1055-000CN	1
19	Clutch, electromagnetic	RK2-1281-000CN	2
20	Cable, flexible flat, 15P	RK2-1283-000CN	1
21	Spring, grounding	RC1-8052-000CN	1
22	Gear, 14T	RU5-0564-000CN	2
23	Gear, 15T	RU5-0553-000CN	2
24	Spring, tension	RU5-2660-000CN	1
25	Spring, tension	RU5-2663-000CN	1
26	Ring, E	RC1-8358-000CN	2
27	Holder, stopper		1
28	Screw, tap, M3X6		2
29	Screw, D, M3X6		122
30	Screw, M3X8		22
31	Cable, duplexing interface		1
32	DC controller PCA assembly	RM1-3459-000CN	1
33	Connector, drawer	VS1-7258-007CN	1
34	Gear, 133T	RU5-0546-000CN	1

Ref	Description	Part number	Qty
35	Gear, 73T	RU5-0547-000CN	1
36	Gear, 96T/52T	RU5-0548-000CN	1
37	Switch, fuser door	RM1-3474-000CN	1
38	Gear, 99T/40T	RU5-0549-000CN	1
39	Gear, 43T	RU5-0550-000CN	1
40	Gear, 26T	RU5-0551-000CN	1
41	Spring, compression	RU5-2630-000CN	1
42	Spring, compression	RU5-2631-000CN	1
43	Spring, tension	RU5-2632-000CN	1
44	Cable, feed clutch extension		1
45	Plate, grounding	RC1-7021-000CN	1
46	Guide, cartridge, left	RC1-7121-000CN	1
47	Paddle	RC1-7122-000CN	1
48	Spring, torsion	RC1-7123-000CN	1
49	Spring, grounding	RC1-7124-000CN	1
50	Spring, torsion	RC1-7125-000CN	1
51	Spring, compression	RC1-7126-000CN	1
52	Spring, compression	RC1-7127-000CN	1
53	Side plate, transfer drive	RC1-7129-000CN	1
54	Holder, contact	RC1-7241-000CN	1
55	Cover	RC1-7265-000CN	1
56	Bushing	RC1-7443-000CN	2
57	Holder, spring	RC1-8026-000CN	1
58	Arm, lock	RC1-8034-000CN	1
59	Duct, high-voltage, upper	RC1-8344-000CN	1
60	Duct, high-voltage, lower	RC1-8345-000CN	1
61	Gear, 25T	RU5-0537-000CN	1
62	Gear, 35T	RU5-0538-000CN	1
63	Gear, 33T	RU5-0539-000CN	
64	Spring, tension	RU5-2575-000CN	1
65	Spring, compression	RU5-2587-000CN	1
66	Spring, compression	RU5-2588-000CN	1
67	Spring, compression	RU5-2589-000CN	1
68	Spring, compression	RU5-2590-000CN	1
69	Spring, tension	RU5-2591-000CN	1

Ref	Description	Part number	Qty
70	Photo interrupter, TL1243	WG8-5696-000CN	1
71	Bushing		2
72	Guide, high voltage FFC		1
73	Plate, motor		1
74	Bushing	RC1-7283-000CN	1
75	Cam	RC1-7284-000CN	1
76	Lever, coupling	RC1-7285-000CN	1
77	Guide, cartridge, right upper	RC1-7287-000CN	1
78	Guide, rear	RC1-8046-000CN	1
501	Screw, tapping, truss head, M4X10	XB4-7401-005CN	2
A01	Connector, snap tight, BK		2



NOTE Not all components listed in the parts tables can be ordered. If a component listed has an associated part number, then it is a field replaceable unit (FRU) and can be ordered. If the component does not have an associated part number, you must order the FRU that includes the desired component.

Internal components (print engine; 2 of 3)

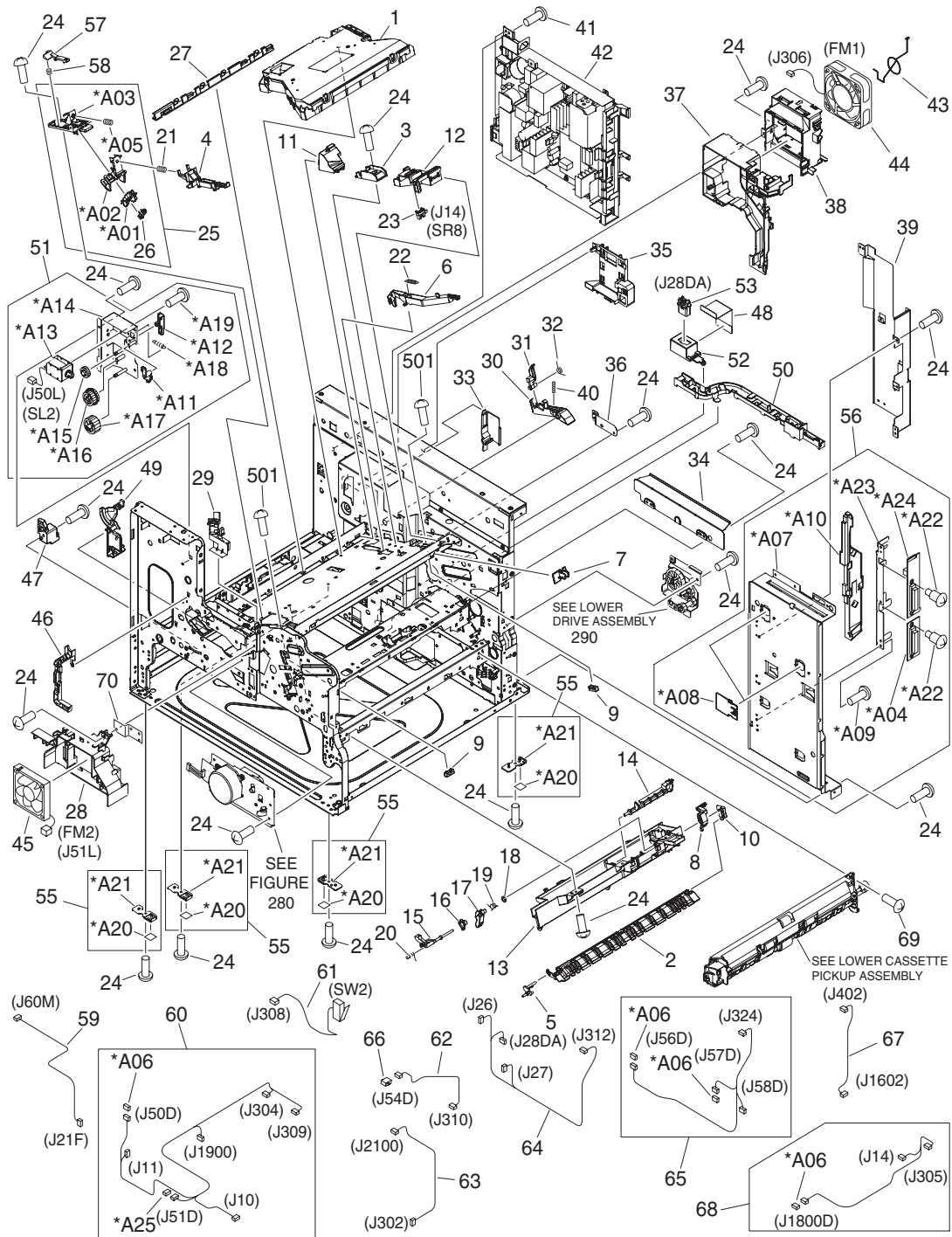


Figure 7-24 Internal components (2 of 3) (print engine)

Table 7-26 Internal components (2 of 3) (print engine)

Ref	Description	Part number	Qty
1	Laser scanner assembly (print engine)	RM1-2555-000CN	1
2	Shutter, fuser	RC1-7163-000CN	1
3	Guide, laser FFC		1
4	Link, tag	RC1-7289-000CN	1
5	Shaft, fuser shutter	RC1-7436-000CN	1
6	Lever, shutter	RC1-7451-000CN	1
7	Cover, shutter lever		1
8	Link, fuser sensing, small	RC1-8058-000CN	1
9	Block, cartridge		2
10	Plate, scanner duct	RC1-8069-000CN	1
11	Duct, scanner		1
12	Guide, cable		1
13	Duct, scanner, lower	RC1-8328-000CN	1
14	Cam, shutter	RC1-8329-000CN	1
15	Lever, pushing	RC1-8330-000CN	1
16	Spacer, slide	RC1-8331-000CN	1
17	Cam, slide	RC1-8332-000CN	1
18	Ring, spacer	RC1-8333-000CN	1
19	Spring, torsion	RC1-8334-000CN	1
20	Spring, torsion	RC1-8335-000CN	1
21	Spring, compression	RU5-2633-000CN	1
22	Spring, tension	RU5-2651-000CN	2
23	Photo interrupter, TLP1243	WG8-5696-000CN	1
24	Screw, D, M3X6		13
25	Tag holder assembly	RM1-2999-000CN	1
26	Cable, memory contact		1
27	Guide, scanner cable		1
28	Holder, front fan		1
29	Guide, cable		1
30	Link, fuser sensing	RC1-8059-000CN	1
31	Lever, fuser sensing switch	RC1-8060-000CN	1
32	Spring, torsion	RC1-8078-000CN	1
33	Cover, interlock		1
34	Cross member, handle		1

Ref	Description	Part number	Qty
35	Guide, cable		1
36	Support, DC controller		1
37	Holder, rear fan		1
38	Holder, rear fan		1
39	Plate, FFC shield		1
40	Spring, compression	RU5-2683-000CN	1
41	Screw, tap, M3X6		4
42	Power supply assembly (110–127 V)	RM1-2994-000CN	1
42	Power supply assembly (220–240 V)	RM1-3006-000CN	1
43	Shield, rear fan grounding		1
44	Fan, rear	RK2-1284-000CN	1
45	Fan, front	RK2-1285-000CN	1
46	Guide, cable		1
47	Lock, pressure release, front	RC1-8039-000CN	1
48	Sheet, drawer protective		1
49	Lever, drive release	RC1-8075-000CN	1
50	Guide, cable		1
51	Paper delivery drive assembly	RM1-2962-000CN	1
52	Holder, floating connector		1
53	Connector, drawer	VS1-7258-0007CN	1
54	Clip, cable		1
55	Foot assembly		4
56	Connecting PCA assembly	RM1-2995-000CN	1
57	Lever, tag lock		1
58	Spring, compression		1
59	Cable, heater		1
60	Cable, multi-scanner		1
61	Switch, cartridge door	RM1-3471-000CN	1
62	Cable, facedown drive		1
63	Cable, delivery option		1
64	Cable, feeder		1
65	Cable, cassette lift		1
66	Connector, snap tight		1
67	Cable, scanner power		1
68	Cable, cartridge sensor		1

Ref	Description	Part number	Qty
69	Screw, M3X8		4
70	Plate, reinforcement		1
501	Screw, tap, binding head, M3X8		2
A01	Holder, connector		1
A02	Holder, connector		1
A03	Plate, tag holder		1
A04	IS connecting PCA assembly		1
A05	Spring, compression		1
A06	Connector, snap tight, BK		4
A07	Plate, formatter guide		1
A08	Plate, formatter guide cap		2
A09	Screw, D, M3X6		4
A10	Guide, flexible flat cable		1
A11	Link, duplexer flapper, 1		1
A12	Link, duplexer flapper, 2		1
A13	Solenoid		1
A14	Plate, paper delivery drive		1
A15	Gear, 18T		1
A16	Gear, 25T/25T		1
A17	Gear, 28T		1
A18	Spring, compression		1
A19	Screw, tap, M3X6		2
A20	Foot		4
A21	Support, foot		4
A22	Screw, stepped, M3		4
A23	Support, DINN board		1
A24	Video interface PCA assembly		1
A25	Connector, snap tight, BK		1



NOTE Not all components listed in the parts tables can be ordered. If a component listed has an associated part number, then it is a field replaceable unit (FRU) and can be ordered. If the component does not have an associated part number, you must order the FRU that includes the desired component.

Internal components (print engine; 3 of 3)

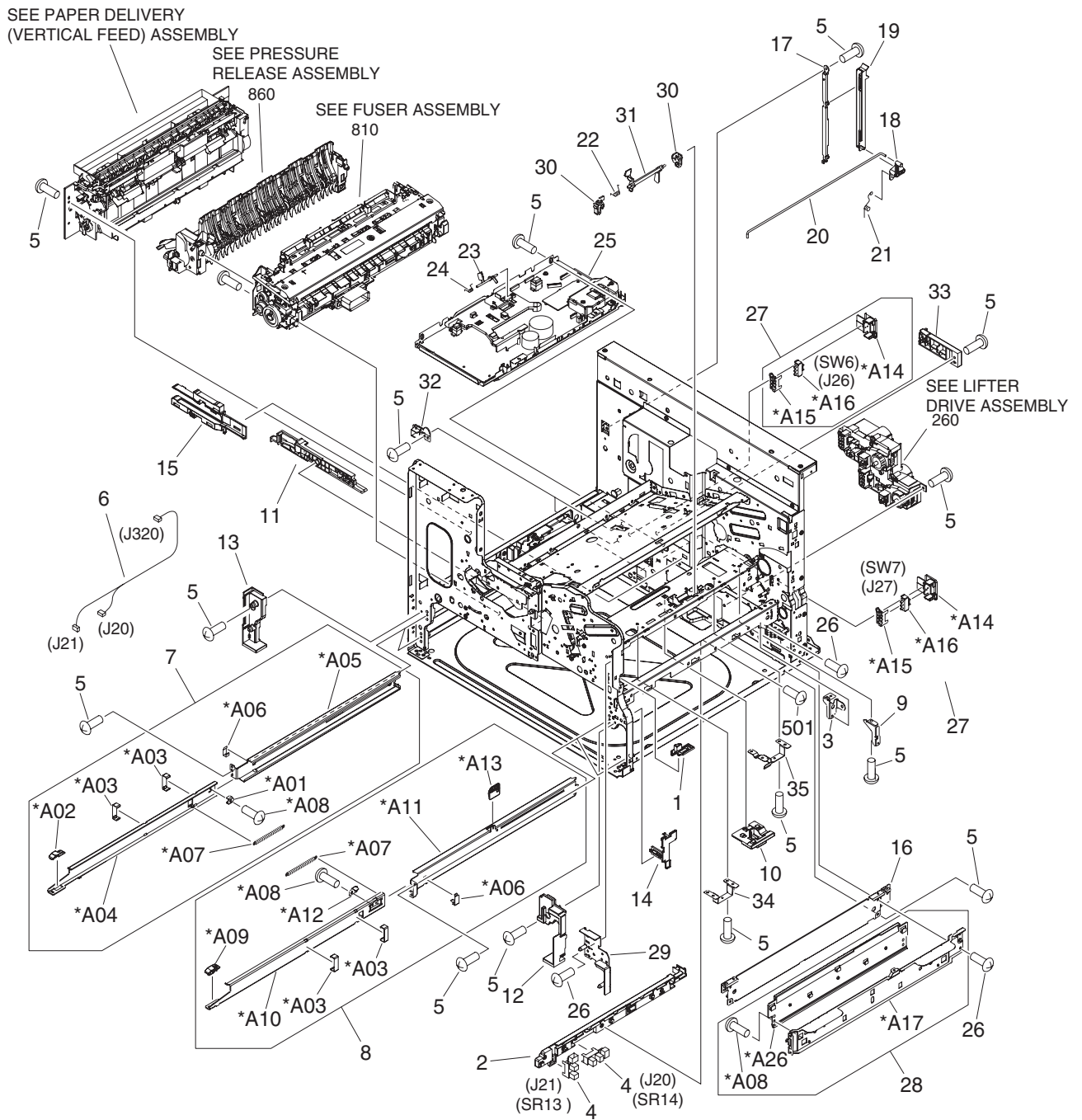


Figure 7-25 Internal components (3 of 3) (print engine)

Table 7-27 Internal components (3 of 3) (print engine)

Ref	Description	Part number	Qty
1	Cam, pad return, upper		1
2	Holder, sensor		1
3	Plate, frame auxiliary		1
4	Photo interrupter, TLP1243	WG8-5696-000CN	2
5	Screw, D, M3X6		6
6	Cable, feed sensor		1
7	Left cassette rail assembly	RM1-2970-000CN	2
8	Right cassette rail assembly	RM1-2971-000CN	2
9	Plate, cross member auxiliary	RC1-7264-000CN	1
10	Holder, top sensor	RC1-7268-000CN	1
11	Guide, duplexer, front	RC1-8027-000CN	1
12	Holder, cassette, right front	RC1-8035-000CN	1
13	Holder, cassette, left front	RC1-8036-000CN	1
14	Cam, pad return, lower	RC1-8038-000CN	1
15	Guide, duplexer, rear	RC1-8048-000CN	1
16	Guide, path, lower		1
17	Holder, power supply link guide		1
18	Joint, power supply switch		1
19	Link, power supply switch		1
20	Rod, power switch		1
21	Spring, torsion		1
22	Spring, torsion	RU5-2596-000CN	1
23	Flag, loop sensor	RC1-7144-000CN	1
24	Spring, torsion	RC1-7145-000CN	1
25	High voltage power supply assembly (110–127 V)	RM1-2957-000CN	1
25	High voltage power supply assembly (220–240 V)	RM1-2958-000CN	1
26	Screw, M3X8		6
27	Back end sensor assembly	RM1-2968-000CN	2
28	Right lower handle assembly		1
29	Plate, cassette positioning		1
30	Bushing	RC1-7249-000CN	2
31	Flag, top sensor	RC1-7261-000CN	1
32	Holder, cassette, rear		2
33	Lock, pressure release, rear		1

Ref	Description	Part number	Qty
34	Support, high voltage, left		1
35	Support, high voltage, right		1
501	Screw, tapping, truss head, M4X10		3
A01	Stopper, extension rail		2
A02	Stopper, cassette, left		2
A03	Guide, extension rail		8
A04	Rail, inner, left		2
A05	Rail, outer, left		2
A06	Guide, outer rail		4
A07	Spring, tension		4
A08	Screw, D, M3X6		4
A09	Stopper, cassette, right		2
A10	Rail, inner, right		2
A11	Rail, outer, right		2
A12	Stopper, rail, right		2
A13	Plate, cam		2
A14	Block, sensor		2
A15	Spring, grounding		2
A16	Switch, push		2
A17	Guide, paper feed		1
A18	Cross member, grip		1



NOTE Not all components listed in the parts tables can be ordered. If a component listed has an associated part number, then it is a field replaceable unit (FRU) and can be ordered. If the component does not have an associated part number, you must order the FRU that includes the desired component.

Paper delivery assembly (print engine)

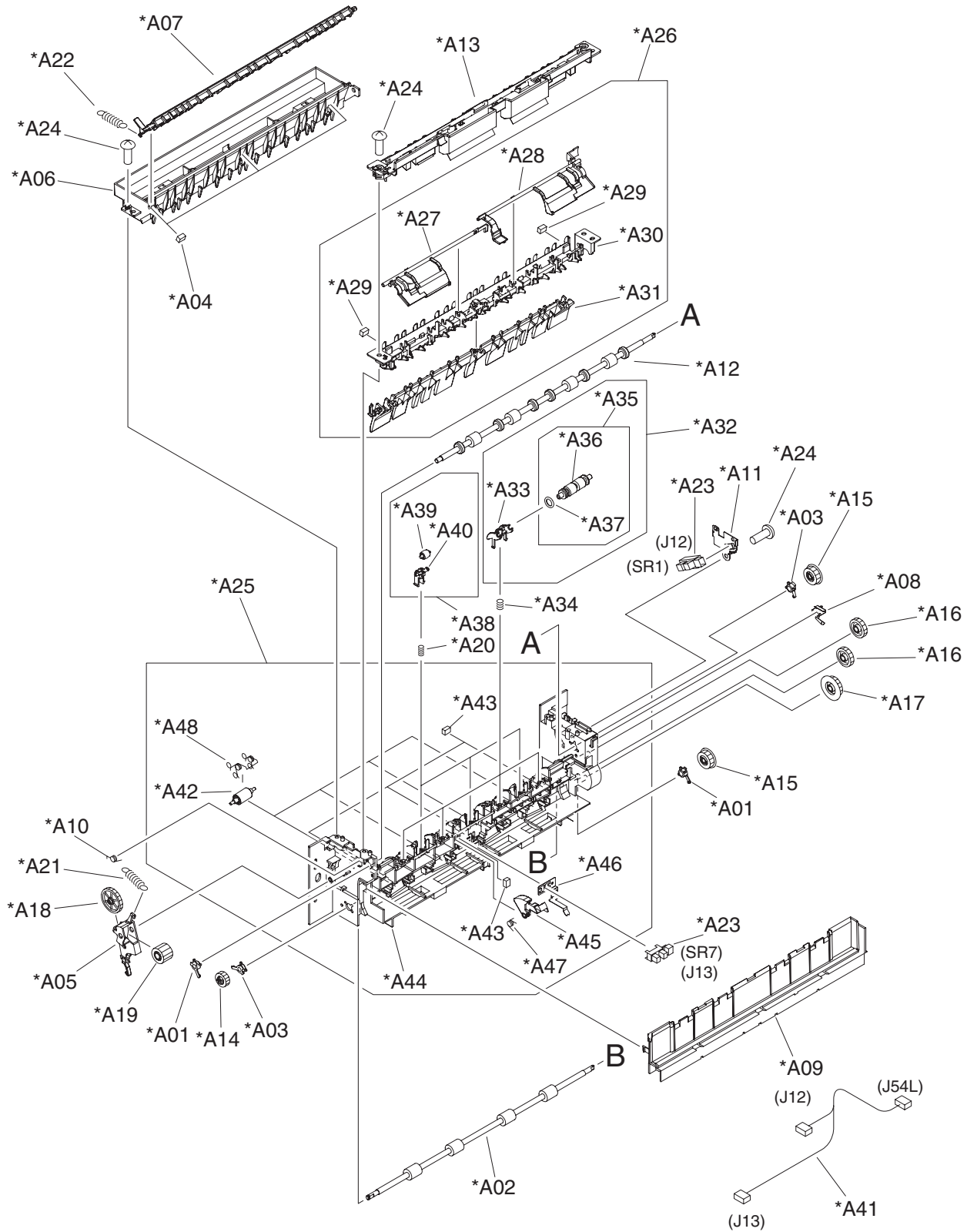


Figure 7-26 Paper delivery assembly (print engine)

Table 7-28 Paper delivery assembly (print engine)

Ref	Description	Part number	Qty
All	Paper delivery assembly	RM1-2987-000CN	1
A01	Bushing		2
A02	Roller, paper delivery		1
A03	Bushing		2
A04	Pad, flapper		3
A05	Holder, duplexer pendulum		1
A06	Guide, interface		1
A07	Flapper, duplexer		1
A08	Plate, roller grounding		1
A09	Cover, facedown		1
A10	Spring, torsion		1
A11	Plate, sensor		1
A12	Roller, facedown		1
A13	Guide, sub		1
A14	Gear, 15T		1
A15	Gear, 15T		2
A16	Gear, 17T		2
A17	Gear, 18T		1
A18	Gear, 28T		1
A19	Gear, 17T		1
A20	Spring, compression		3
A21	Spring, tension		1
A22	Spring, tension		1
A23	Photo interrupter, TLP1243	WG8-5696-000CN	2
A24	Screw, tapping, truss head, M 4X10		5
A25	Facedown frame assembly		1
A26	Top guide assembly		1
A27	Flag, facedown		1
A28	Flag, paper full detect		1
A29	Pad, flapper		2
A30	Guide, top		1
A31	Flapper, duplexer facedown		1
A32	Facedown roller holder assembly		4
A33	Holder, facedown roller		4

Ref	Description	Part number	Qty
A34	Spring, compression		4
A35	Roller assembly		4
A36	Roller, paper delivery		4
A37	Ring, O		4
A38	Roller holder assembly		3
A39	Roller		1
A40	Holder, roller		1
A41	Cable, facedown assembly		1
A42	Roller, paper delivery		4
A43	Pad, flapper		4
A44	Frame, facedown		1
A45	Flag, paper delivery sensor		1
A46	Plate, ESD grounding		1
A47	Spring, torsion		1
A48	Spring, torsion		4



NOTE Not all components listed in the parts tables can be ordered. If a component listed has an associated part number, then it is a field replaceable unit (FRU) and can be ordered. If the component does not have an associated part number, you must order the FRU that includes the desired component.

Lifter drive assembly (print engine)

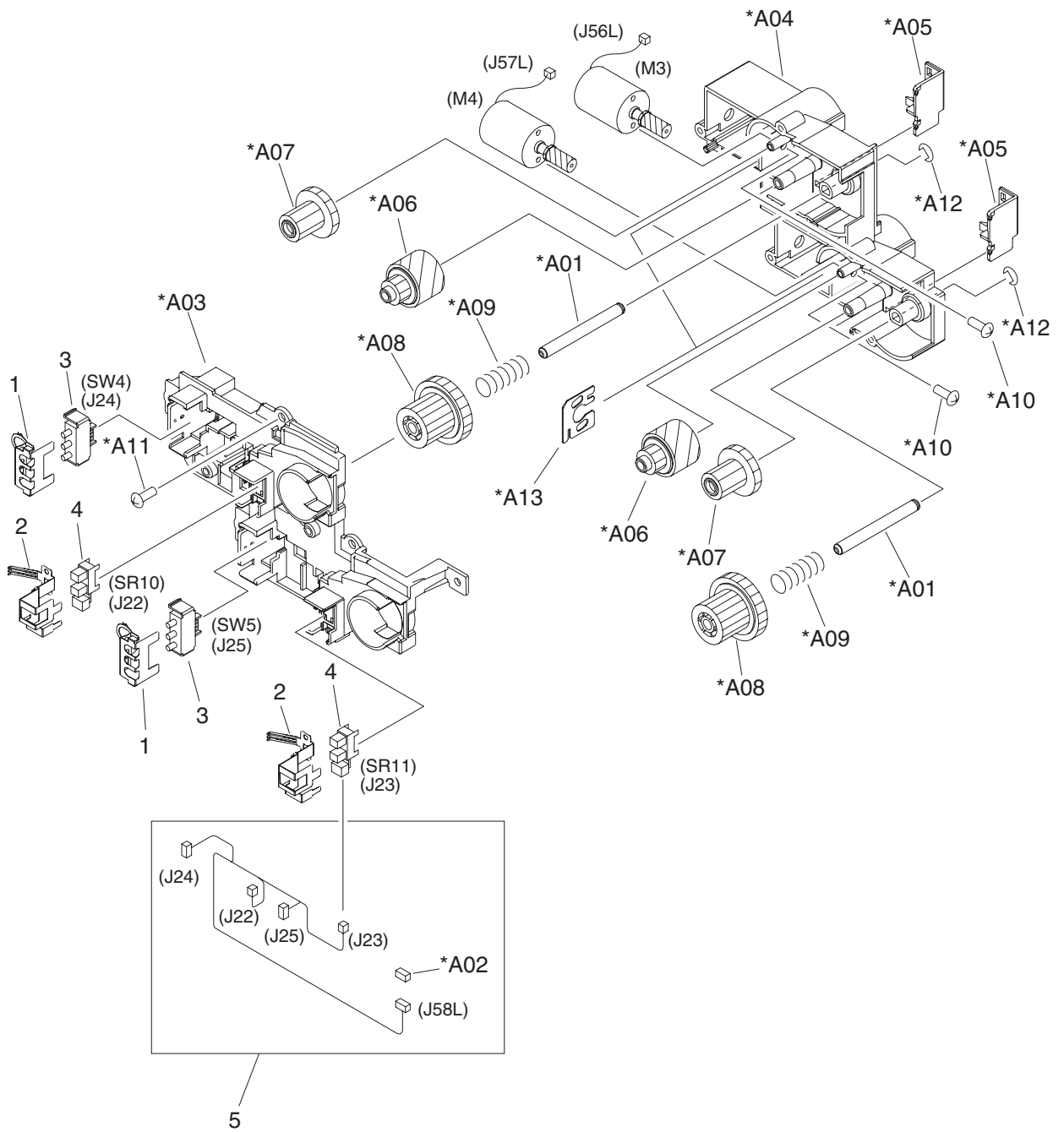


Figure 7-27 Lifter drive assembly (print engine)

Table 7-29 Lifter drive assembly (print engine)

Ref	Description	Part number	Qty
All	Lifter drive assembly	RM1-2969-000CN	1
1	Spring, grounding		2
2	Plate, photosensor grounding		2
3	Switch, push		2
4	Photo interrupter, TLP1243	WG8-5696-000CN	2
5	Cable, cassette size		1
A01	Shaft, cassette input gear		2
A02	Connector, snap tight		1
A03	Box, gear, front		1
A04	Box, gear, rear		1
A05	Cover, gear box protective		2
A06	Gear, 39T/21T		2
A07	Gear, 43T/17T		2
A08	Gear, 43T/16T		2
A09	Spring, compression		2
A10	Screw, w/washer, M3X6		4
A11	Screw, tapping, truss head, M4X10		5
A12	Ring, E		2
A13	Plate, lifter		2



NOTE Not all components listed in the parts tables can be ordered. If a component listed has an associated part number, then it is a field replaceable unit (FRU) and can be ordered. If the component does not have an associated part number, you must order the FRU that includes the desired component.

Fuser drive assembly (print engine)

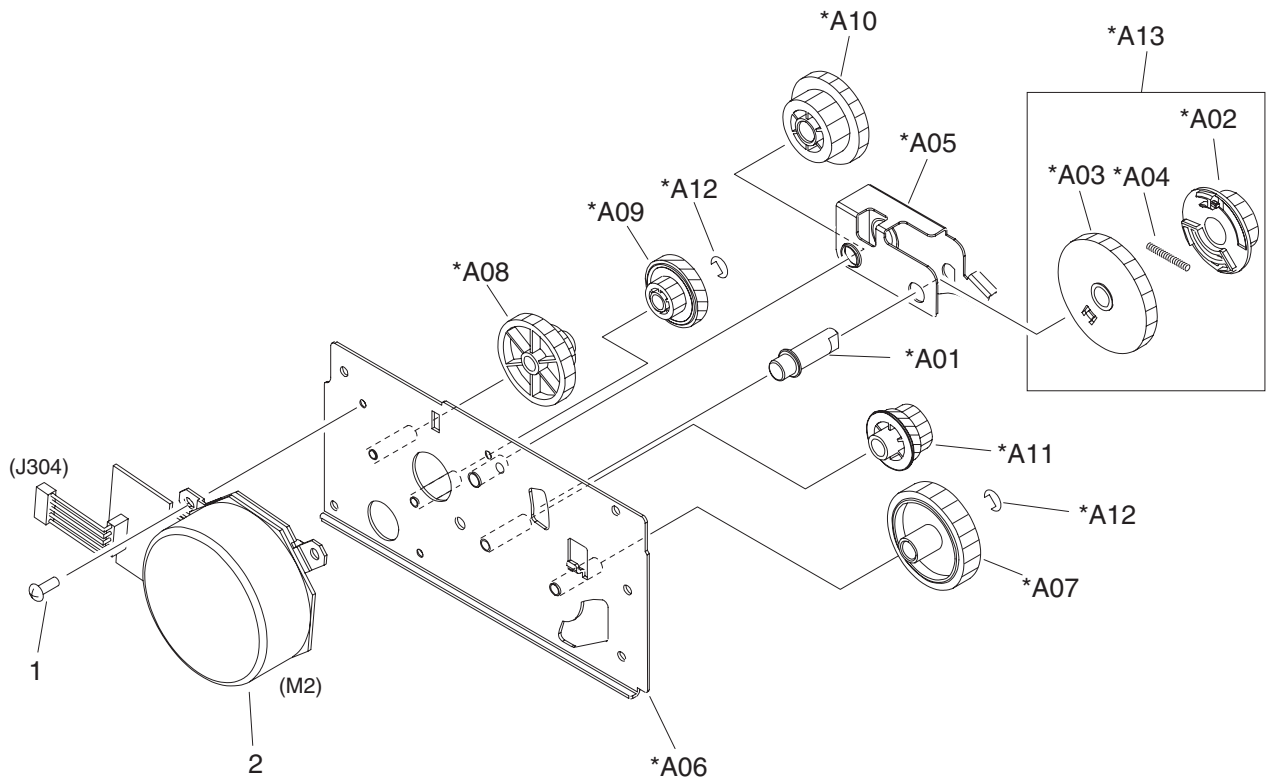


Figure 7-28 Fuser drive assembly (print engine)

Table 7-30 Fuser drive assembly (print engine)

Ref	Description	Part number	Qty
All	Fuser drive assembly (print engine)	RM1-2963-000CN	1
1	Screw, D, M3X6		3
2	Fuser motor assembly	RM1-2538-000CN	1
A01	Shaft, fuser drive swing		1
A02	Gear, 17T		1
A03	Gear, 36T		1
A04	Spring, compression		1
A05	Plate, fuser drive swing		1
A06	Plate, fuser drive		1
A07	Gear, 31T		1
A08	Gear, 67T/17T		1
A09	Gear, 49T/27T		1
A10	Gear, 33T/19T		1
A11	Gear, 37T/16T		1
A12	Ring, E	XD9-0233-000CN	2
A13	Drive estrangement gear assembly		1



NOTE Not all components listed in the parts tables can be ordered. If a component listed has an associated part number, then it is a field replaceable unit (FRU) and can be ordered. If the component does not have an associated part number, you must order the FRU that includes the desired component.

Lower drive assembly (print engine)

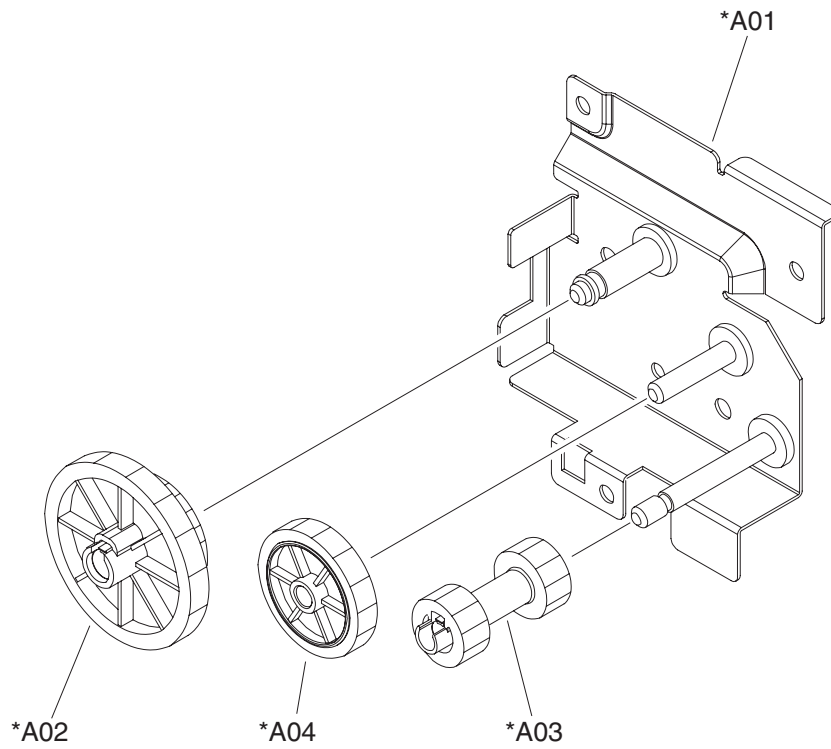


Figure 7-29 Lower drive assembly (print engine)

Table 7-31 Lower drive assembly (print engine)

Ref	Description	Part number	Qty
All	Lower drive assembly	RM1-2972-000CN	1
A01	Plate, drive, lower		1
A02	Gear, 43T/26T		1
A03	Gear, 14T/14T		1
A04	Gear, 29T		1



NOTE Not all components listed in the parts tables can be ordered. If a component listed has an associated part number, then it is a field replaceable unit (FRU) and can be ordered. If the component does not have an associated part number, you must order the FRU that includes the desired component.

Upper cassette (print engine)

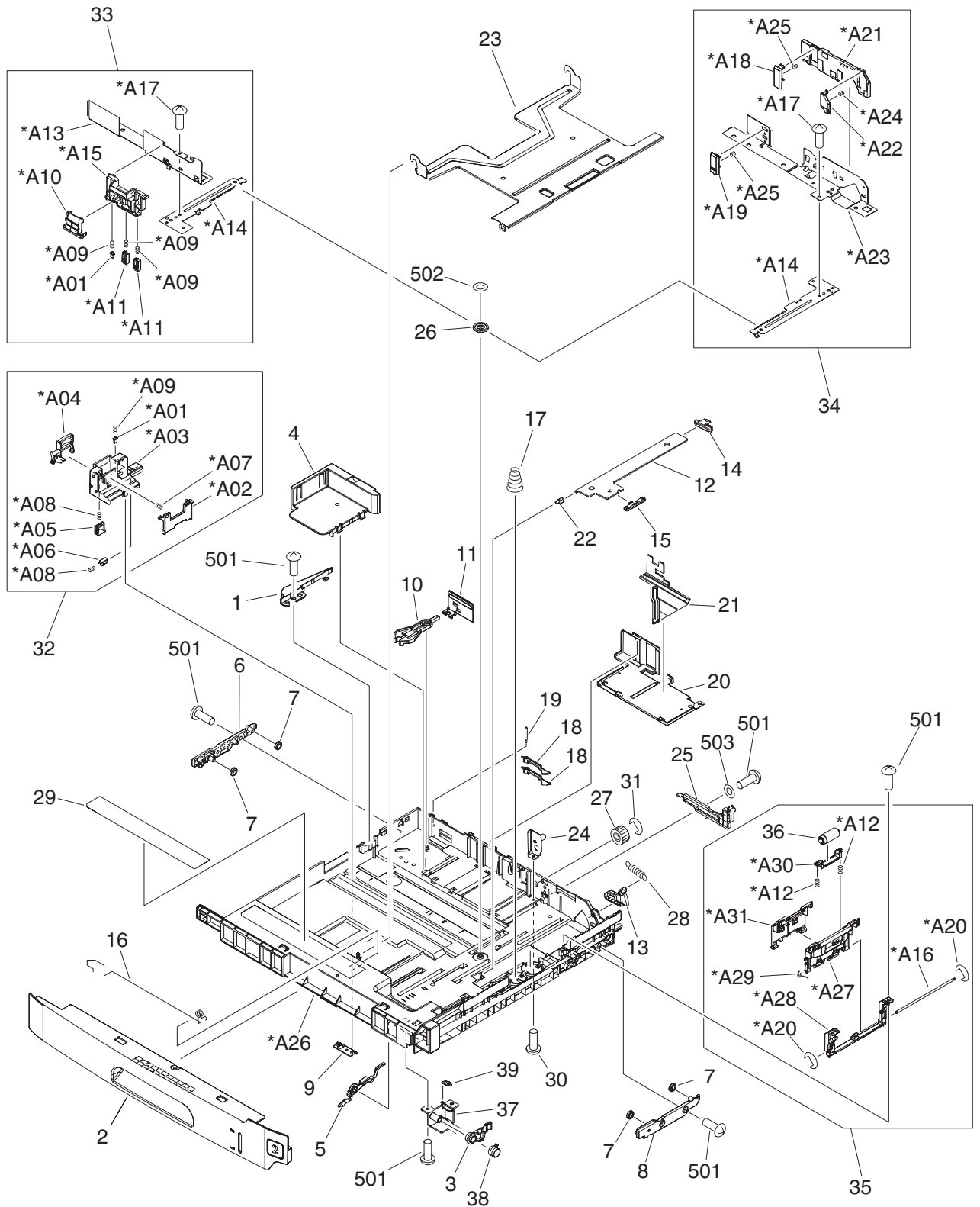


Figure 7-30 Upper cassette (print engine)

Table 7-32 Upper cassette (print engine)

Ref	Description	Part number	Qty
All	Upper cassette (engine)	RM1-2978-000CN	1
1	Guide, cassette lock		1
2	Cover, cassette, upper		1
3	Cam, remnant, upper		1
4	Cover, back end sensing, upper		1
5	Lever, remnant detect, upper		1
6	Rail, attachment, left		1
7	Roller, cassette rail		4
8	Rail, attachment, right		1
9	Slider, back end limit		1
10	Cam, back end sensing		1
11	Lever, back end sensing		1
12	Arm, lift		1
13	Cam, lift arm		1
14	Cap, lift arm cam		1
15	Slider, lifter arm		1
16	Spring, grounding		1
17	Spring, compression		2
18	Link, back end sensing switch		2
19	Shaft, back end sensing link		1
20	Cover, width sensing		1
21	Cam, width sensing		1
22	Bushing		1
23	Plate, lifter		1
24	Plate, cassette support		1
25	Rack, lifter		1
26	Gear, 14T		1
27	Gear, 17T		1
28	Spring, tension		1
29	Label, cassette control, UP		1
30	Screw, M3X8		1
31	Ring, E		1
32	Back end limit assembly		1
33	Front paper side end assembly		1

Ref	Description	Part number	Qty
34	Rear paper side end assembly		1
35	Separation block assembly	RM1-2983-000CN	1
36	Separation roller assembly		1
37	Holder, remnant, upper		1
38	Spring, compression		1
39	Spring, tension		1
501	Screw, tapping, truss head, M4X10		11
502	Plain washer		1
503	Plain washer		2
A01	Block, side end size clicker		2
A02	Plate, back end limit		1
A03	Holder, back end limit		1
A04	Lever, back end limit lock		1
A05	Lock, back end limit		1
A06	Block, back end size clicker		1
A07	Spring, compression		1
A08	Spring, compression		2
A09	Spring, compression		4
A10	Lever, side		1
A11	Lock, side		2
A12	Spring, compression		2
A13	Guide, side, front		1
A14	Rack, side		2
A15	Holder, side guide, front		1
A16	Shaft, separation block		1
A17	Screw, D, M3X6		1
A18	Clamp, paper, middle		1
A19	Clamp, paper, rear		1
A20	Ring, E		2
A21	Holder, side guide, rear		1
A22	Clamp, paper, front		1
A23	Plate, paper side end, rear		1
A24	Spring, compression		1
A25	Spring, compression		2
A26	Body, cassette, upper		1

Ref	Description	Part number	Qty
A27	Block, separation roller		1
A28	Holder, separation block		1
A29	Spring, torsion		1
A30	Base, separation roller		
A31	Cover, separation roller block		1



NOTE Not all components listed in the parts tables can be ordered. If a component listed has an associated part number, then it is a field replaceable unit (FRU) and can be ordered. If the component does not have an associated part number, you must order the FRU that includes the desired component.

Lower cassette (print engine)

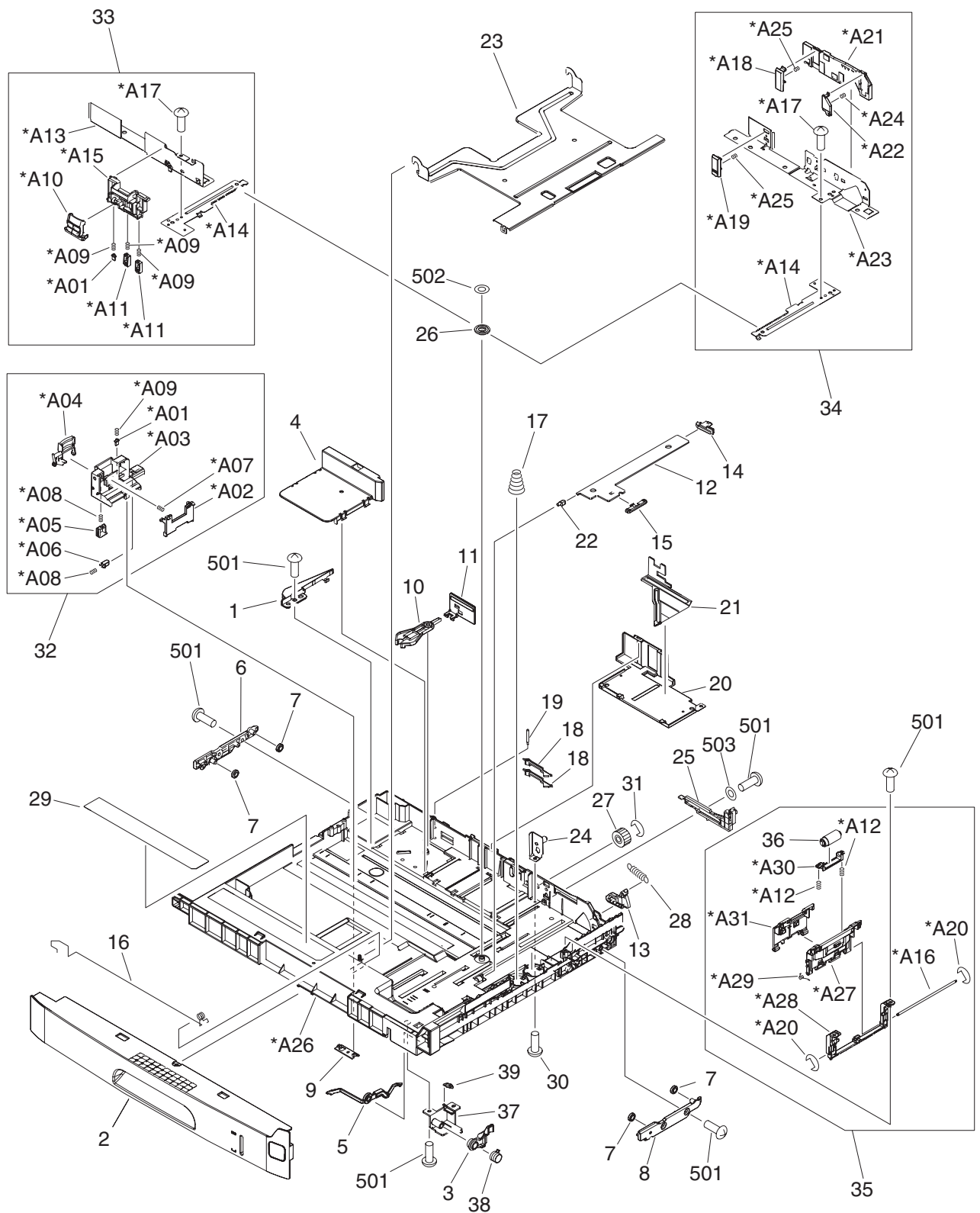


Figure 7-31 Lower cassette (print engine)

Table 7-33 Lower cassette (print engine)

Ref	Description	Part number	Qty
All	Lower cassette (engine)	RM1-2979-000CN	1
1	Guide, cassette lock		1
2	Cover, cassette, lower		1
3	Cam, remnant, lower		1
4	Cover, back end sensing		1
5	Lever, remnant detect, lower		1
6	Rail, attachment, left		1
7	Roller, cassette rail		4
8	Rail, attachment, right		1
9	Slider, back end limit		1
10	Cam, back end sensing		1
11	Lever, back end sensing		1
12	Arm, lift		1
13	Cam, lift arm		1
14	Cap, lift arm cam		1
15	Slider, lifter arm		1
16	Spring, grounding		1
17	Spring, compression		2
18	Link, back end sensing switch		2
19	Shaft, back end sensing link		1
20	Cover, width sensing		1
21	Cam, width sensing		1
22	Bushing		1
23	Plate, lifter		1
24	Plate, cassette support		1
25	Rack, lifter		1
26	Gear, 14T		1
27	Gear, 17T		1
28	Spring, tension		1
29	Label, cassette control, lower		1
30	Screw, M3X8		1
31	Ring, E		1
32	Back end limit assembly		1
33	Front paper side end assembly		1

Ref	Description	Part number	Qty
34	Rear paper side end assembly		1
35	Separation block assembly	RM1-2983-000CN	1
36	Separation roller assembly		1
37	Holder, remnant, lower		1
38	Spring, compression		1
39	Spring, tension		1
501	Screw, tapping, truss head, M4X10		11
502	Plain washer		1
503	Plain washer		2
A01	Block, side end size clicker		2
A02	Plate, back end limit		1
A03	Holder, back end limit		1
A04	Lever, back end limit lock		1
A05	Lock, back end limit		1
A06	Block, back end size clicker		1
A07	Spring, compression		1
A08	Spring, compression		2
A09	Spring, compression		4
A10	Lever, side		1
A11	Lock, side		2
A12	Spring, compression		2
A13	Guide, side, front		1
A14	Rack, side		2
A15	Holder, side guide, front		1
A16	Shaft, separation block		1
A17	Screw, D, M3X6		1
A18	Clamp, paper, middle		1
A19	Clamp, paper, rear		1
A20	Ring, E		2
A21	Holder, side guide, rear		1
A22	Clamp, paper, front		1
A23	Plate, paper side end, rear		1
A24	Spring, compression		1
A25	Spring, compression		2
A26	Body, cassette, upper		1

Ref	Description	Part number	Qty
A27	Block, separation roller		1
A28	Holder, separation block		1
A29	Spring, torsion		1
A30	Base, separation roller		
A31	Cover, separation roller block		1



NOTE Not all components listed in the parts tables can be ordered. If a component listed has an associated part number, then it is a field replaceable unit (FRU) and can be ordered. If the component does not have an associated part number, you must order the FRU that includes the desired component.

Upper cassette pickup assembly (print engine)

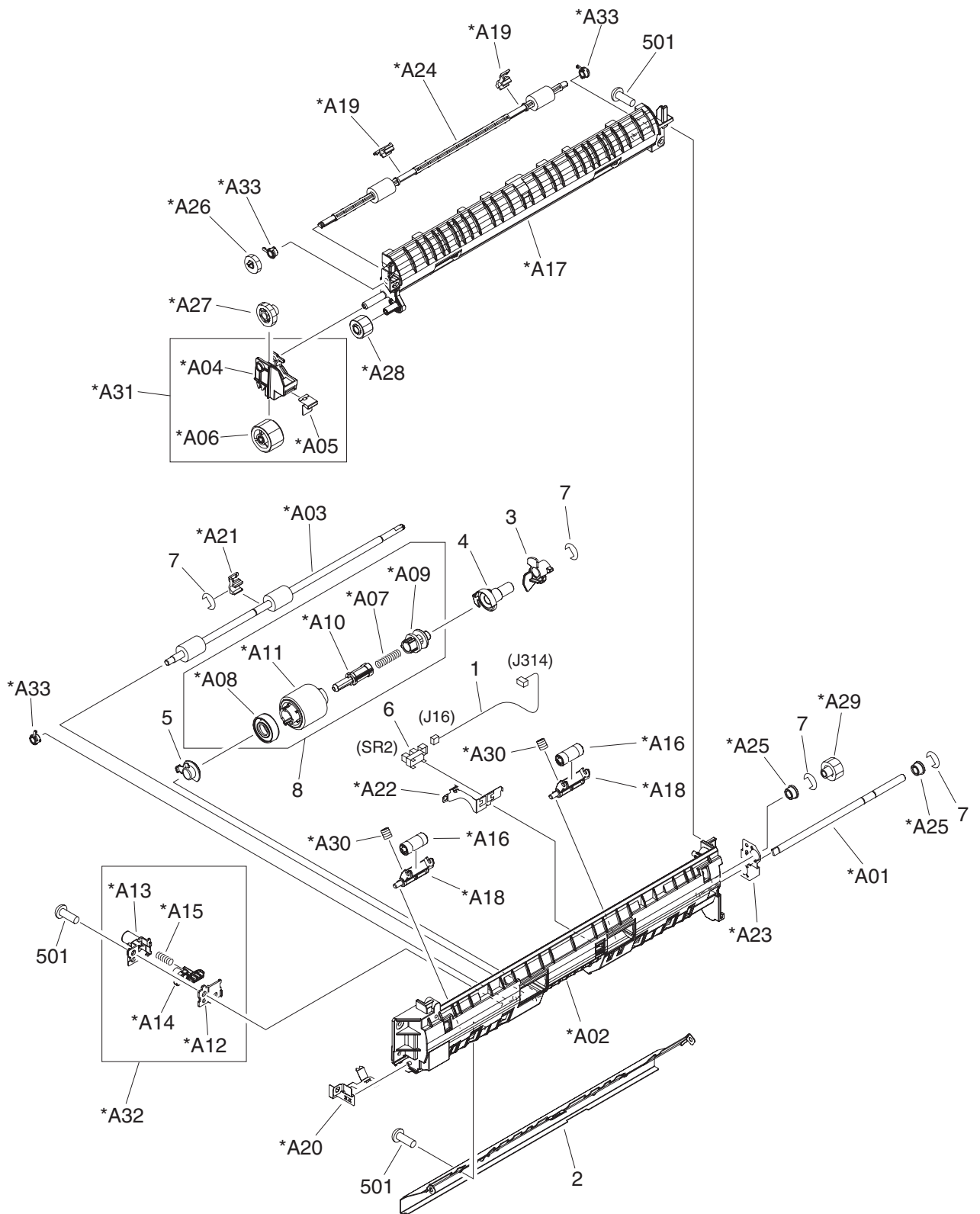


Figure 7-32 Upper cassette pickup assembly (print engine)

Table 7-34 Upper cassette pickup assembly (print engine)

Ref	Description	Part number	Qty
All	Upper cassette paper pickup assembly (engine)	RM1-2976-000CN	1
1	Cable, cassette sensor, upper		1
2	Guide, paper re-pick up		1
3	Lever, paper sensor		1
4	Bushing		1
5	Bushing		1
6	Photo interrupter, TLP1243	WG8-5696-000CN	1
7	Ring, E		4
8	Paper pickup roller assembly	RM1-2988-000CN	1
501	Screw, tapping, truss head, M4X10		6
A01	Shaft, paper pickup drive		1
A02	Frame, paper pickup, upper		1
A03	Shaft, roller, upper		1
A04	Arm, pendulum		1
A05	Spring, leaf		1
A06	Gear, 23T		1
A07	Spring, compression		1
A08	Cap, paper pickup, left		1
A09	Core, paper pickup roller		1
A10	Shaft, cassette slide		1
A11	Roller, cassette paper pickup		1
A12	Case, roller stopper		1
A13	Case, roller stopper		1
A14	Lever, roller stopper		1
A15	Spring, compression		1
A16	Roller, idler		2
A17	Guide, paper re-pickup, upper		1
A18	Holder, paper re-pickup roller		2
A19	Bushing		2
A20	Spring, grounding		1
A21	Bushing		1
A22	Plate, sensor grounding		1
A23	Plate, roller grounding, upper		1
A24	Roller, paper re-pickup		1

Ref	Description	Part number	Qty
A25	Bushing		2
A26	Gear, 14T		1
A27	Gear, 19T		1
A28	Gear, 15T		1
A29	Gear, 16T		1
A30	Spring, compression		2
A31	Pendulum arm assembly		1
A32	Roller stopper assembly		1
A33	Bushing		3



NOTE Not all components listed in the parts tables can be ordered. If a component listed has an associated part number, then it is a field replaceable unit (FRU) and can be ordered. If the component does not have an associated part number, you must order the FRU that includes the desired component.

Lower cassette pickup assembly (print engine)

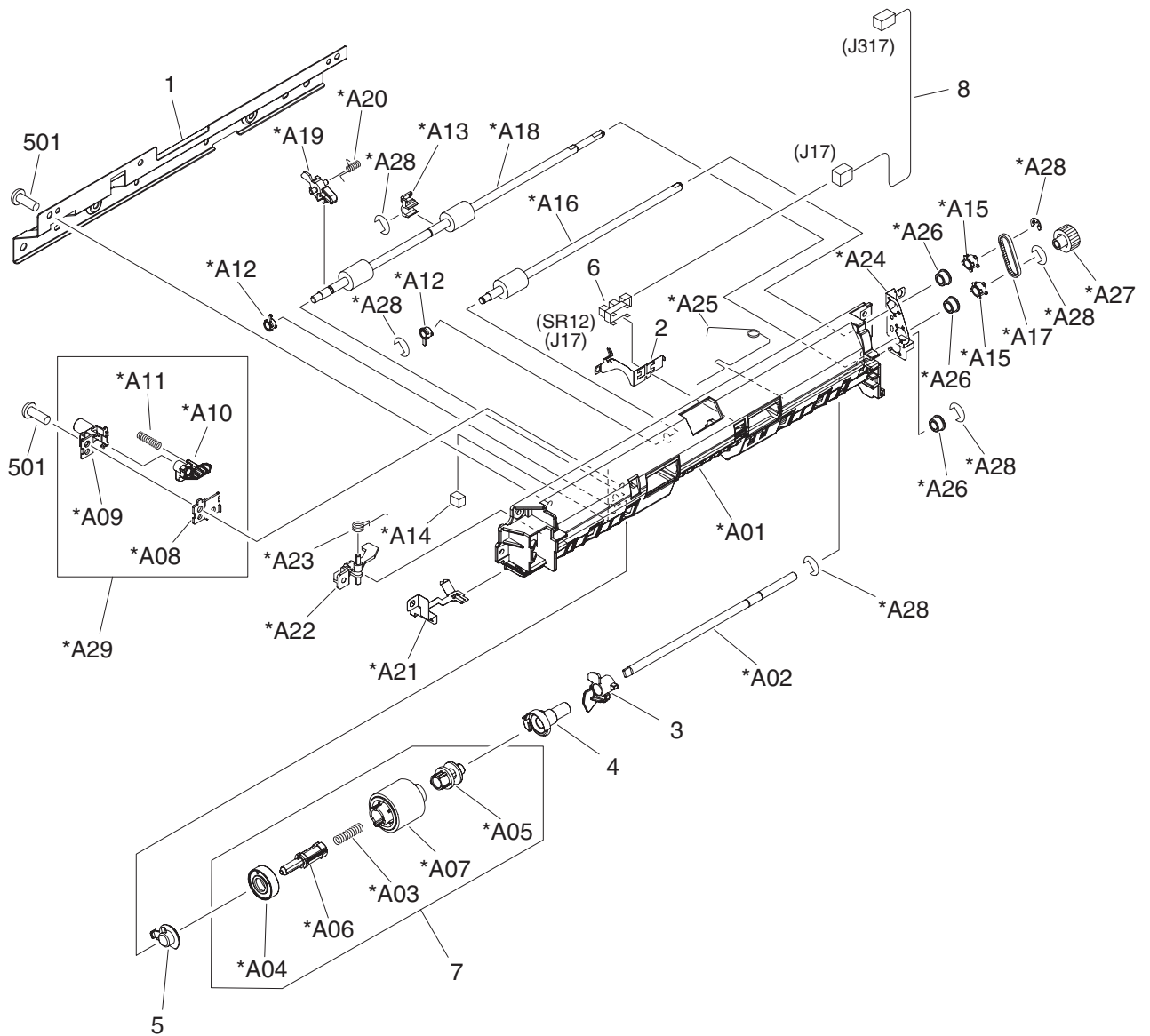


Figure 7-33 Lower cassette pickup assembly (print engine)

Table 7-35 Lower cassette pickup assembly (print engine)

Ref	Description	Part number	Qty
All	Lower cassette pickup assembly (engine)	RM1-2977-000CN	1
1	Support, frame, lower		1
2	Plate, sensor grounding		1
3	Lever, paper sensor		1
4	Bushing		1
5	Bushing		1
6	Photo interrupter, TLP1243	WG8-5696-000CN	1
7	Paper pickup roller assembly	RM1-2998-000CN	1
8	Cable, cassette sensor, lower		1
501	Screw, tapping, truss head, M4X10		6
A01	Frame, paper pickup, lower		1
A02	Shaft, paper pickup drive		1
A03	Spring, compression		1
A04	Cap, paper pickup, left		1
A05	Core, paper pickup roller		1
A06	Shaft, cassette slide		1
A07	Roller, cassette paper pickup		1
A08	Case, roller stopper		1
A09	Case, roller stopper		1
A10	Lever, roller stopper		1
A11	Spring, compression		1
A12	Bushing		2
A13	Bushing		1
A14	Pad, flapper		1
A15	Pulley		2
A16	Roller, paper feed, A5		1
A17	Belt, paper feed		1
A18	Roller, multipurpose, lower		1
A19	Flag, path sensor, lower		1
A20	Spring, torsion		1
A21	Plate, grounding lower		1
A22	Lever, cover sensing, right		1
A23	Spring, torsion		1
A24	Plate, roller grounding, lower		1

Ref	Description	Part number	Qty
A25	Spring, grounding		1
A26	Bushing		3
A27	Gear, 16T		1
A28	Ring, E		6
A29	Roller stopper assembly		1



NOTE Not all components listed in the parts tables can be ordered. If a component listed has an associated part number, then it is a field replaceable unit (FRU) and can be ordered. If the component does not have an associated part number, you must order the FRU that includes the desired component.

Registration assembly (print engine)

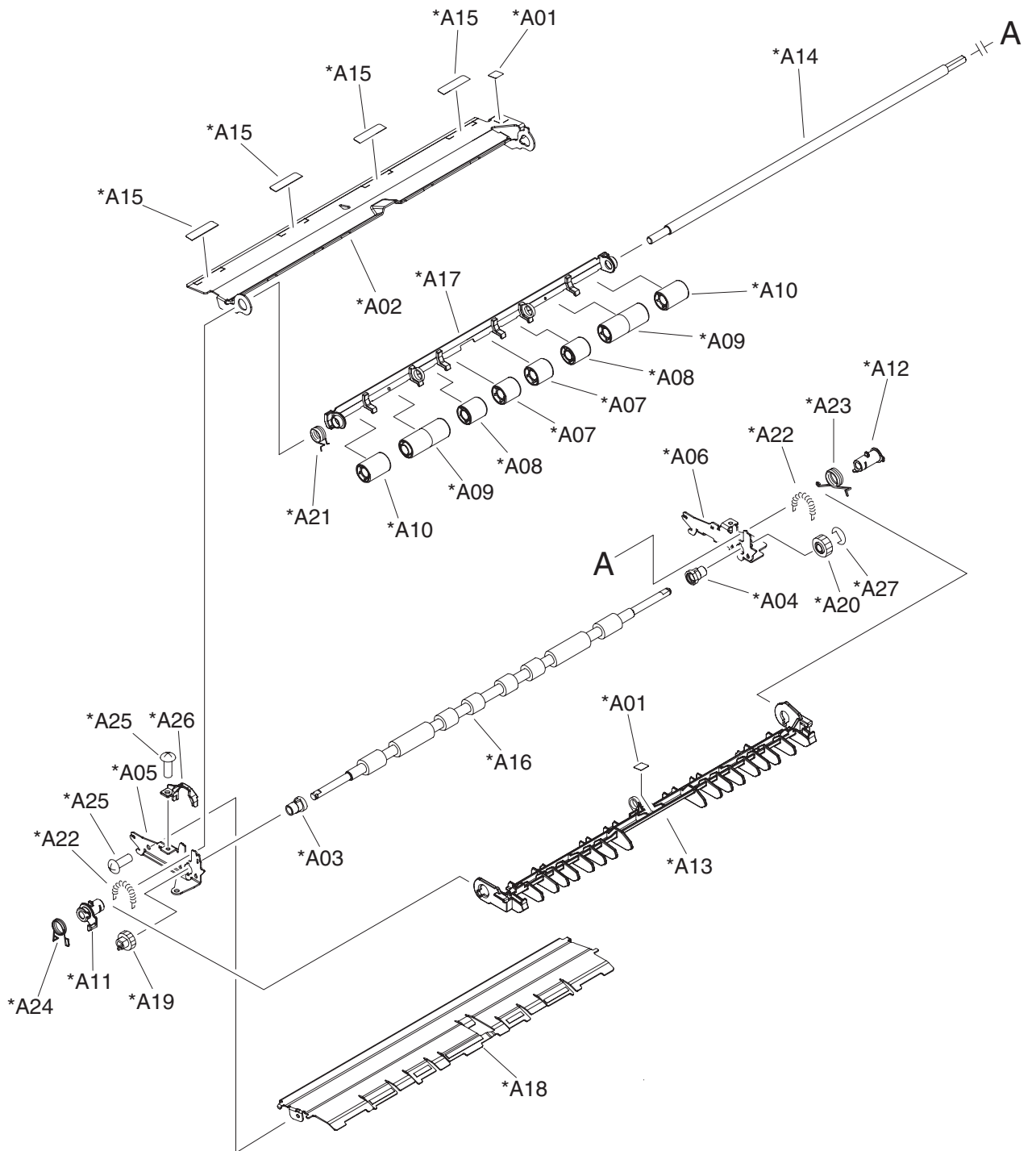


Figure 7-34 Registration assembly (print engine)

Table 7-36 Registration assembly (print engine)

Ref	Description	Part number	Qty
All	Registration assembly	RM1-3001-000CN	1
A01	Label, control position		2
A02	Guide, transfer, upper		1
A03	Bushing		1
A04	Bushing		1
A05	Side plate, registration, left		1
A06	Side plate, registration, right		1
A07	Roller, registration		2
A08	Roller, registration		2
A09	Roller, registration		2
A10	Roller, registration		2
A11	Bushing		1
A12	Bushing		1
A13	Guide, registration, upper		1
A14	Shaft, registration roller		1
A15	Sheet, transfer guide, upper		4
A16	Roller, registration		1
A17	Shutter, registration		1
A18	Guide, transfer, lower		1
A19	Gear, 12T		1
A20	Gear, 15T		1
A21	Spring, torsion		1
A22	Spring, tension		2
A23	Spring, torsion		1
A24	Spring, torsion		1
A25	Screw, D, M3X6		2
A26	Holder, registration		1
A27	Ring, E		1



NOTE Not all components listed in the parts tables can be ordered. If a component listed has an associated part number, then it is a field replaceable unit (FRU) and can be ordered. If the component does not have an associated part number, you must order the FRU that includes the desired component.

Paper feed assembly (print engine)

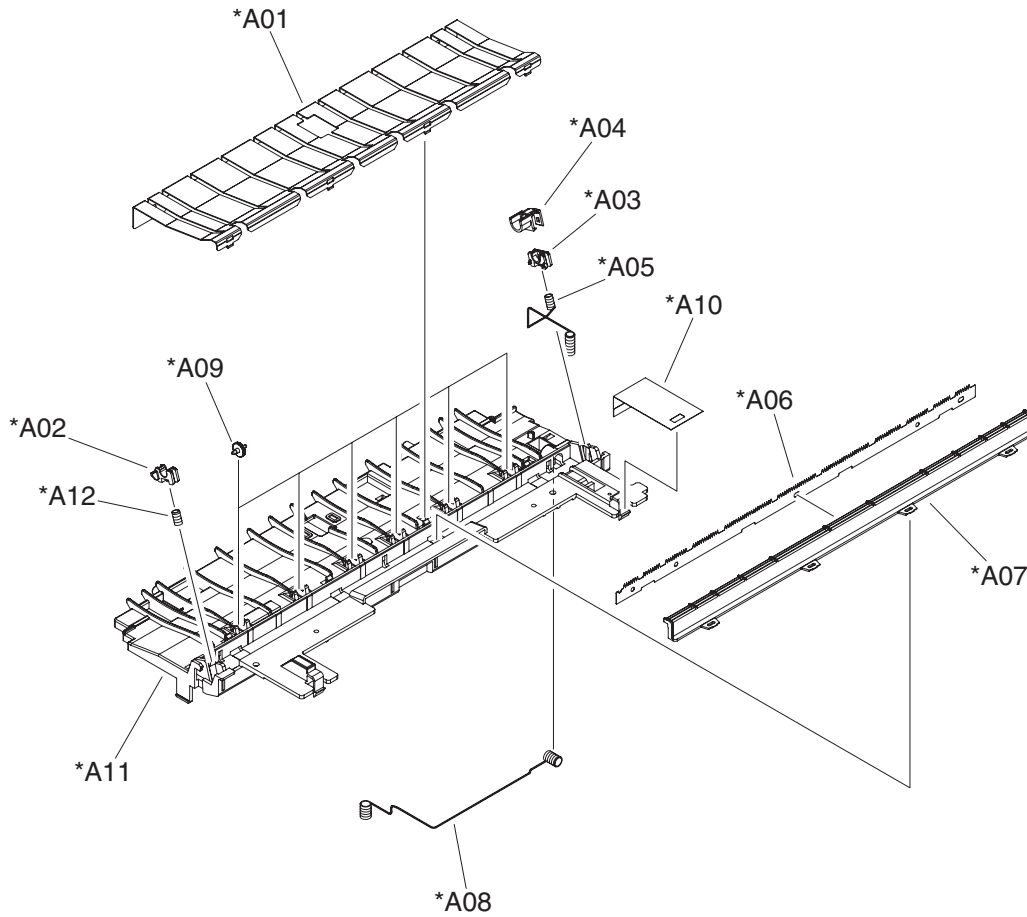


Figure 7-35 Paper feed assembly (print engine)

Table 7-37 Paper feed assembly (print engine)

Ref	Description	Part number	Qty
All	Paper feed assembly	RM1-3009-000CN	1
A01	Plate, paper feed		1
A02	Bushing		1
A03	Bushing		1
A04	Cover, transfer bushing, right		1
A05	Spring, compression		1
A06	Eliminator, static charge		1
A07	Cover, static charge eliminator		1
A08	Spring, compression		1
A09	Roller		6
A10	Sheet, transfer insulating		1
A11	Guide, paper feed		1
A12	Spring, compression		1



NOTE Not all components listed in the parts tables can be ordered. If a component listed has an associated part number, then it is a field replaceable unit (FRU) and can be ordered. If the component does not have an associated part number, you must order the FRU that includes the desired component.

PCA assemblies (print engine)

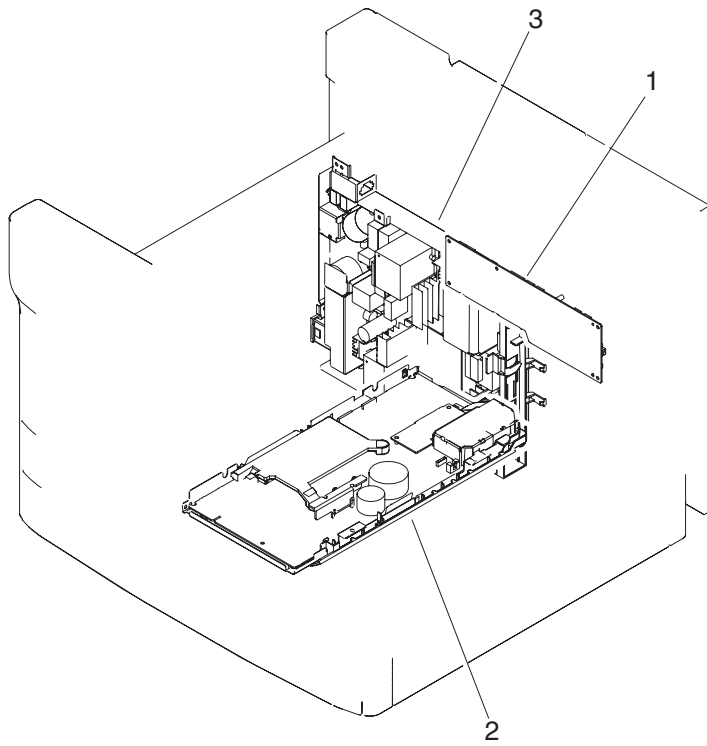


Figure 7-36 PCA assemblies (print engine)

Table 7-38 PCA assemblies

Ref	Description	Part number	Qty
1	DC controller PCA assembly	RM1-3459-000CN	1
2	High-voltage PCA assembly (110V-127V)	RM1-2957-000CN	1
2	High-voltage PCA assembly (220V-240V)	RM1-2958-000CN	1
3	Low-voltage PCA assembly (110V-127V)	RM1-2994-000CN	1
3	Low-voltage PCA assembly (220V-240V)	RM1-3006-000CN	1



NOTE Not all components listed in the parts tables can be ordered. If a component listed has an associated part number, then it is a field replaceable unit (FRU) and can be ordered. If the component does not have an associated part number, you must order the FRU that includes the desired component.

Fuser (print engine)

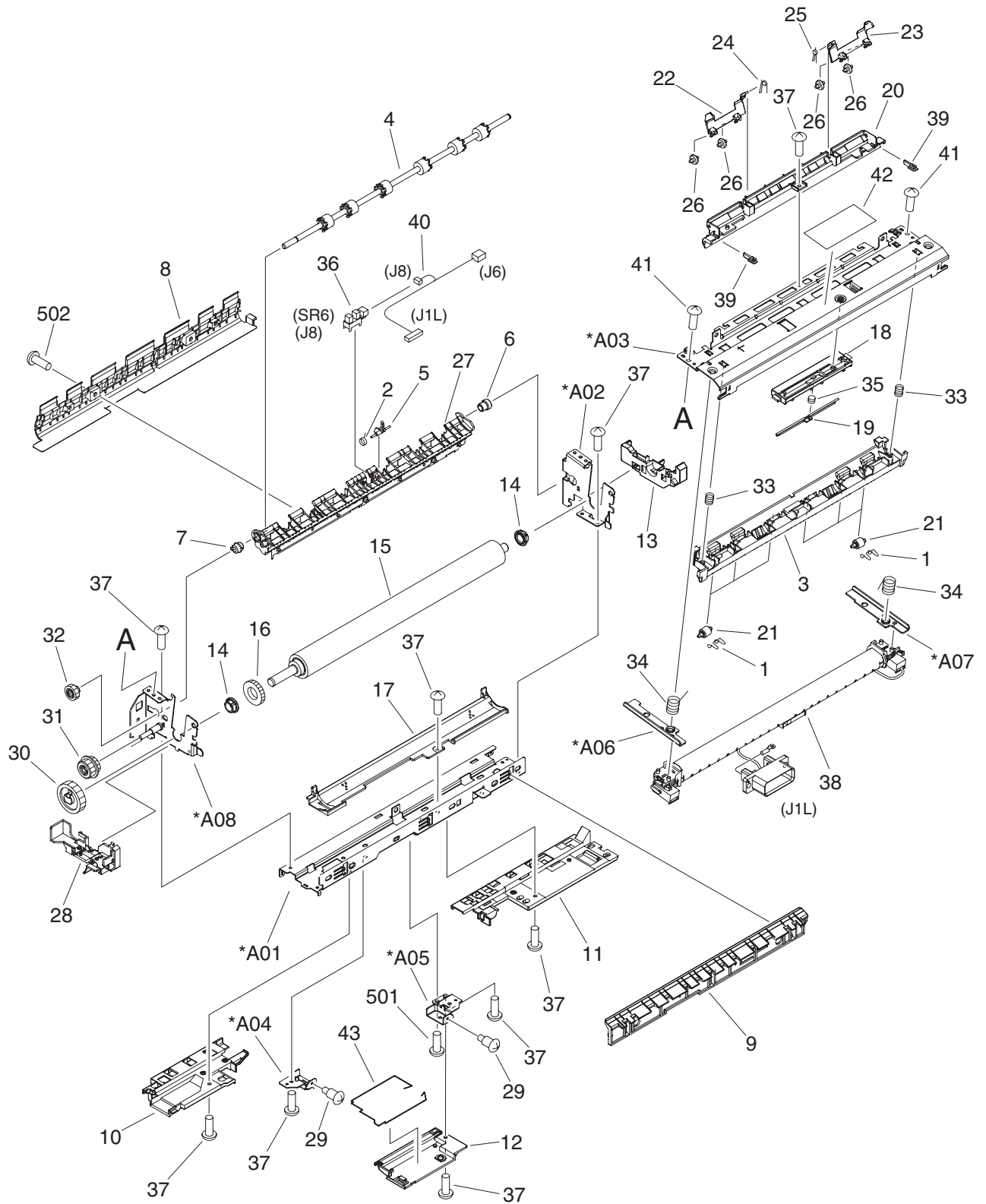


Figure 7-37 Fuser (print engine)

Table 7-39 Fuser (print engine)

Ref	Description	Part number	Qty
	Fuser assembly (110V-127V)	RM1-3007-000CN	1
	Fuser assembly (220V-240V)	RM1-3008-000CN	1
1	Spring, compression		6
2	Spring, torsion		1
3	Guide, separation, upper		1
4	Roller, face-up paper delivery		1
5	Lever, paper delivery sensor		1
6	Bushing		1
7	Bushing		1
8	Guide, reverse		1
9	Guide, fuser entrance		1
10	Holder, fuser cable		1
11	Holder, fuser cable		1
12	Cover, fuser drawer		1
13	Guide, fuser, right		1
14	Bushing		2
15	Roller, pressure		1
16	Ring, conductive rubber		1
17	Duct, fuser		1
18	Holder, wrap stopper		1
19	Arm, wrap stopper		1
20	Duct, separation, upper		1
21	Roller, face-up		6
22	Guide, flapper, left		1
23	Guide, flapper, right		1
24	Spring, torsion		1
25	Spring, torsion		1
26	Roller, flapper guide		4
27	Guide, separation, lower		1
28	Guide, fuser, left		1
29	Screw, stepped		2
30	Gear, 29T		1
31	Gear, 18T/16T		1
32	Gear, 16T		1

Ref	Description	Part number	Qty
33	Spring, compression		2
34	Spring, compression		2
35	Spring, compression		1
36	IC, photo interrupter		1
37	Screw, D, M3X6		11
38	Film guide assembly		1
39	Rib, separation duct, upper		2
40	Cable, fuser DC		1
41	Screw, TP, M4X6		2
42	Label, high temperature caution		1
43	Cable, fuser drawer grounding		1
501	Screw, w/washer, M3X6		1
502	Screw, tapping, truss head, M4X10		2
A01	Frame, fuser, center		1
A02	Frame, fuser, right		1
A03	Plate, fuser pressure		1
A04	Cross member, fuser drawer, left		1
A05	Cross member, fuser drawer, right		1
A06	Plate, pressure release, left		1
A07	Plate, pressure release, right		1
A08	Frame, fuser, left		1



NOTE Not all components listed in the parts tables can be ordered. If a component listed has an associated part number, then it is a field replaceable unit (FRU) and can be ordered. If the component does not have an associated part number, you must order the FRU that includes the desired component.

Fuser pressure release assembly (print engine)

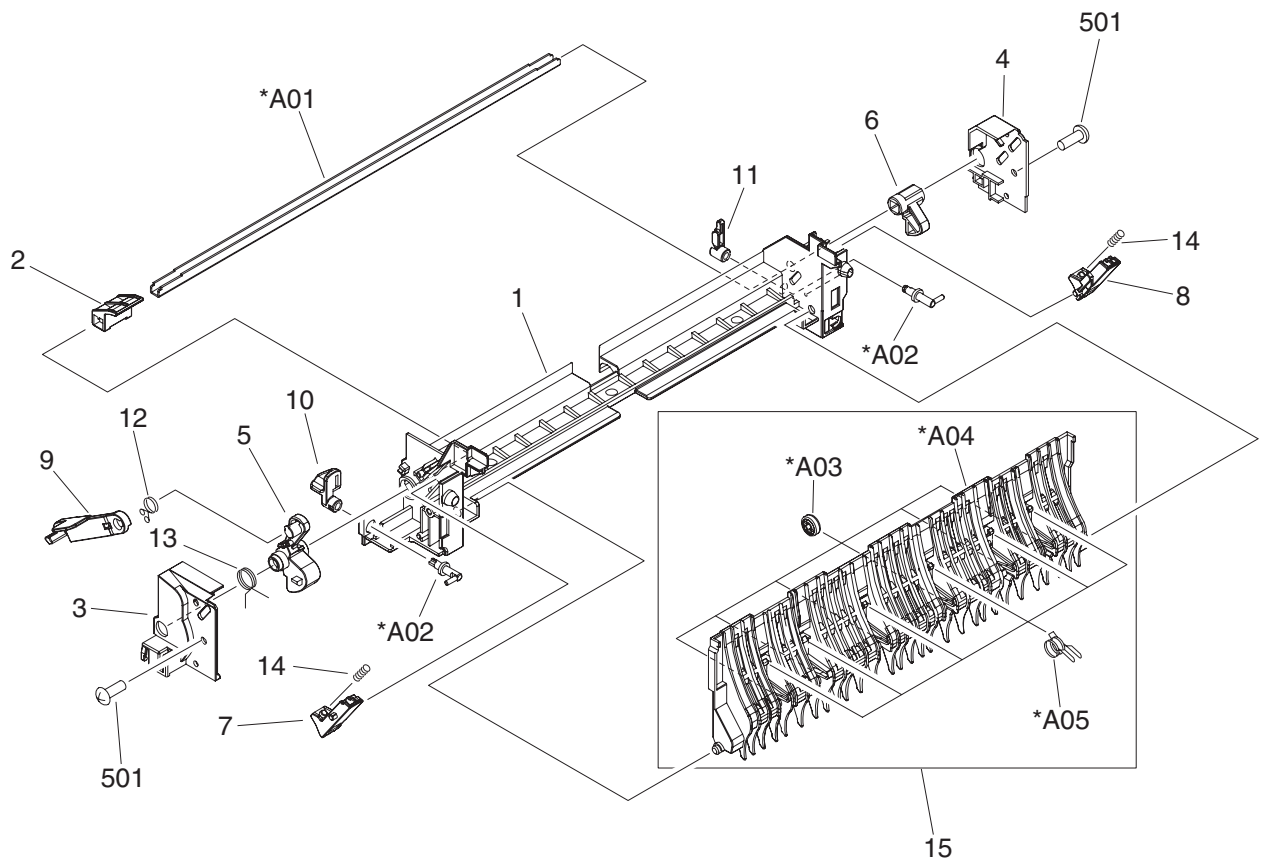


Figure 7-38 Fuser pressure release assembly (print engine)

Table 7-40 Fuser pressure release assembly (print engine)

Ref	Description	Part number	Qty
All	Fuser pressure release assembly	RM1-2973-000CN	1
1	Frame, pressure release		1
2	Cam, intermediate guide		1
3	Plate, fixed, front		1
4	Plate, fixed, rear		1
5	Cam, pressure release, front		1
6	Cam, pressure release, rear		1
7	Arm, pressure release, front		1
8	Arm, pressure release, rear		1
9	Link, pressure release		1
10	Lever, front		1
11	Lever, rear		1
12	Spring, torsion		1
13	Spring, torsion		1
14	Spring, compression		2
15	Intermediate guide assembly		1
501	Screw, tapping, truss head, M4X10		2
A01	Shaft, pressure release		1
A02	Shaft, lock		1
A03	Roller		6
A04	Guide, intermediate		1
A05	Spring, torsion		6



NOTE Not all components listed in the parts tables can be ordered. If a component listed has an associated part number, then it is a field replaceable unit (FRU) and can be ordered. If the component does not have an associated part number, you must order the FRU that includes the desired component.

High capacity input (HCI) 1X500 feeder main body

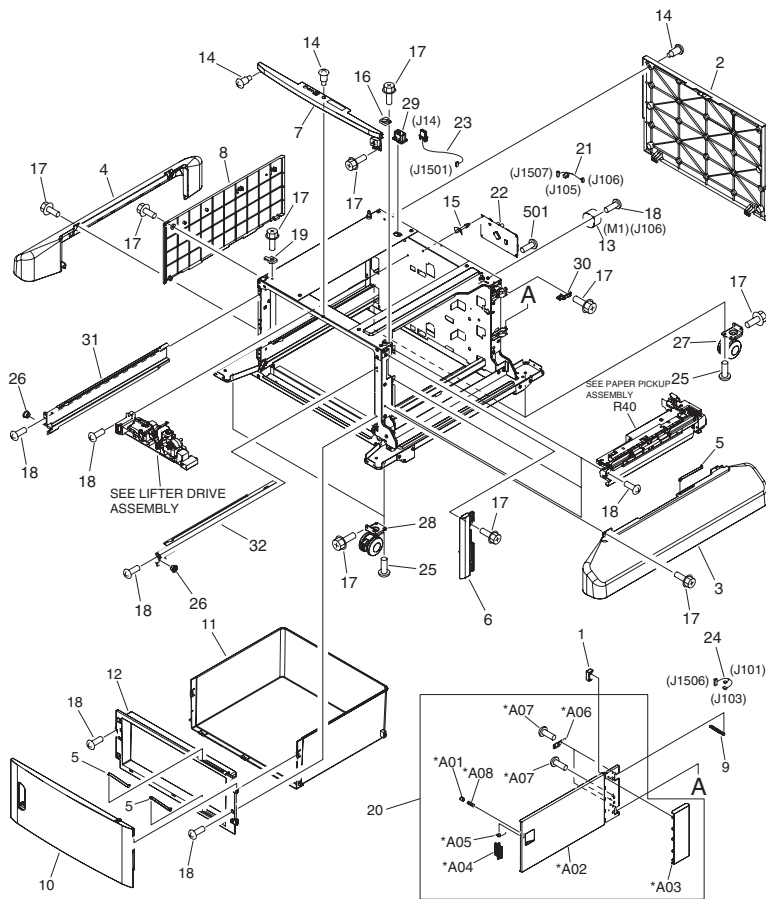


Figure 7-39 1X500 HCI main body

Table 7-41 1X500 HCI main body

Ref	Description	Part number	Qty
All	HCI main body		1
1	Stopper, right door	RC1-9882-000CN	1
2	Cover, rear	RC2-0151-000CN	1
3	Cover, right lower	RC2-0152-000CN	1
4	Cover, left lower	RC2-0153-000CN	1
5	Link, right door	RC2-0160-000CN	3
6	Cover, right front	RC2-0161-000CN	1
7	Cover, front upper	RC2-0162-000CN	1
8	Cover, left	RC2-0163-000CN	1
9	Link, right door, upper	RC2-0170-000CN	1
10	Door, stock	RC2-0181-000CN	1
11	Box, stock		1
12	Cover, stock box	RC2-0183-000CN	1
13	Motor, stepping, DC	RK2-1331-000CN	1
14	Screw, stepped		4
15	Support, PCA		2
16	Spacer, reinforcement, right		1
17	Screw, RS, M4X8		108
18	Screw, TP, M3X6		14
19	Spacer, reinforcement, left		1
20	Right door assembly	RM1-3825-000CN	1
21	Cable, paper pickup option		1
22	Paper feed PCA assembly	RM1-3641-000CN	1
23	Cable, power interface		1
24	Cable, multi-sensor		1
25	Screw, w/washer, M5X12		8
26	Roller, rail	RC1-9231-000CN	4
27	Caster, rear	RC1-9917-000CN	2
28	Caster, front	RC2-0134-000CN	2
29	Holder, drawer	RC2-0167-000CN	1
30	Stopper, right door link upper	RC2-0169-000CN	1
31	Rail, cassette, left	RL1-1391-000CN	2
32	Rail, cassette, right	RL1-1390-000CN	2
501	Screw, w/washer, M3X6		2

Ref	Description	Part number	Qty
A01	Block, right door push		1
A02	Door, right		1
A03	Cover, right rear		1
A04	Latch, right door		1
A05	Spring, torsion		1
A06	Plate, hinge		2
A07	Screw		5
A08	Spring, compression		1



NOTE Not all components listed in the parts tables can be ordered. If a component listed has an associated part number, then it is a field replaceable unit (FRU) and can be ordered. If the component does not have an associated part number, you must order the FRU that includes the desired component.

High capacity input (HCI) 3X500 feeder main body

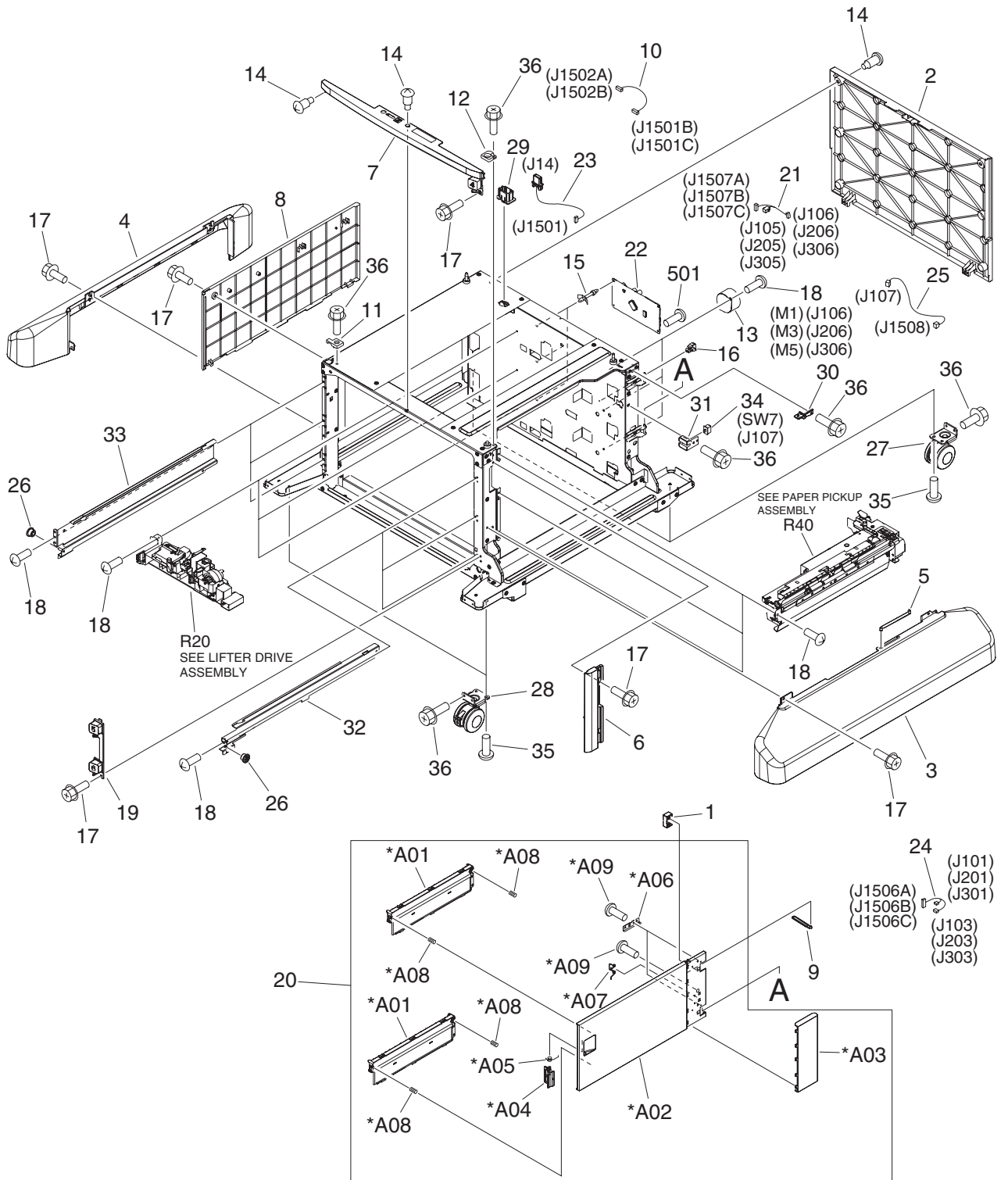


Figure 7-40 3X500 HCI main body

Table 7-42 3X500 HCI main body

Ref	Description	Part number	Qty
All	HCI main body		1
1	Stopper, right door	RC1-9882-000CN	1
2	Cover, rear	RC2-0151-000CN	1
3	Cover, right lower	RC2-0152-000CN	1
4	Cover, left lower	RC2-0153-000CN	1
5	Link, right door	RC2-0160-000CN	3
6	Cover, right front	RC2-0161-000CN	1
7	Cover, front upper	RC2-0162-000CN	1
8	Cover, left	RC2-0163-000CN	1
9	Link, right door, upper	RC2-0170-000CN	1
10	Cable, option interface		2
11	Spacer, reinforcement, left		1
12	Spacer, reinforcement, right		1
13	Motor, stepping, DC	RK2-1331-000CN	3
14	Screw, stepped		4
15	Support, PCA		6
16	Saddle, wire		1
17	Screw, RS, M4X8		11
18	Screw, TP, M3X6		27
19	Plate, number indication		1
20	Right door assembly	RM1-3824-000CN	1
21	Cable, paper pickup option		3
22	Paper feed PCA assembly	RM1-3641-000CN	3
23	Cable, power interface		1
24	Cable, multi-sensor		3
25	Cable, door open switch		1
26	Roller, rail	RC1-9231-000CN	6
27	Caster, rear	RC1-9917-000CN	2
28	Caster, front	RC2-0134-000CN	2
29	Holder, drawer	RC2-0167-000CN	1
30	Stopper, right door link upper	RC2-0169-000CN	1
31	Plate, switch cover		1
32	Rail, cassette, right	RL1-1390-000CN	3
33	Rail, cassette, left	RL1-1391-000CN	3

Ref	Description	Part number	Qty
34	Switch, bottom	WC2-5512-000CN	1
35	Screw, w/washer, M5X12		8
36	Screw, w/washer, M5X12		3
501	Screw, w/washer, M3X6		6
A01	Guide, paper feed		2
A02	Door, right		1
A03	Cover, right rear		1
A04	Latch, right door		1
A05	Spring, torsion		1
A06	Plate, hinge		2
A07	Spring, torsion		1
A08	Spring, compression		4
A09	Screw		5



NOTE Not all components listed in the parts tables can be ordered. If a component listed has an associated part number, then it is a field replaceable unit (FRU) and can be ordered. If the component does not have an associated part number, you must order the FRU that includes the desired component.

Lifter drive assembly (HCI)

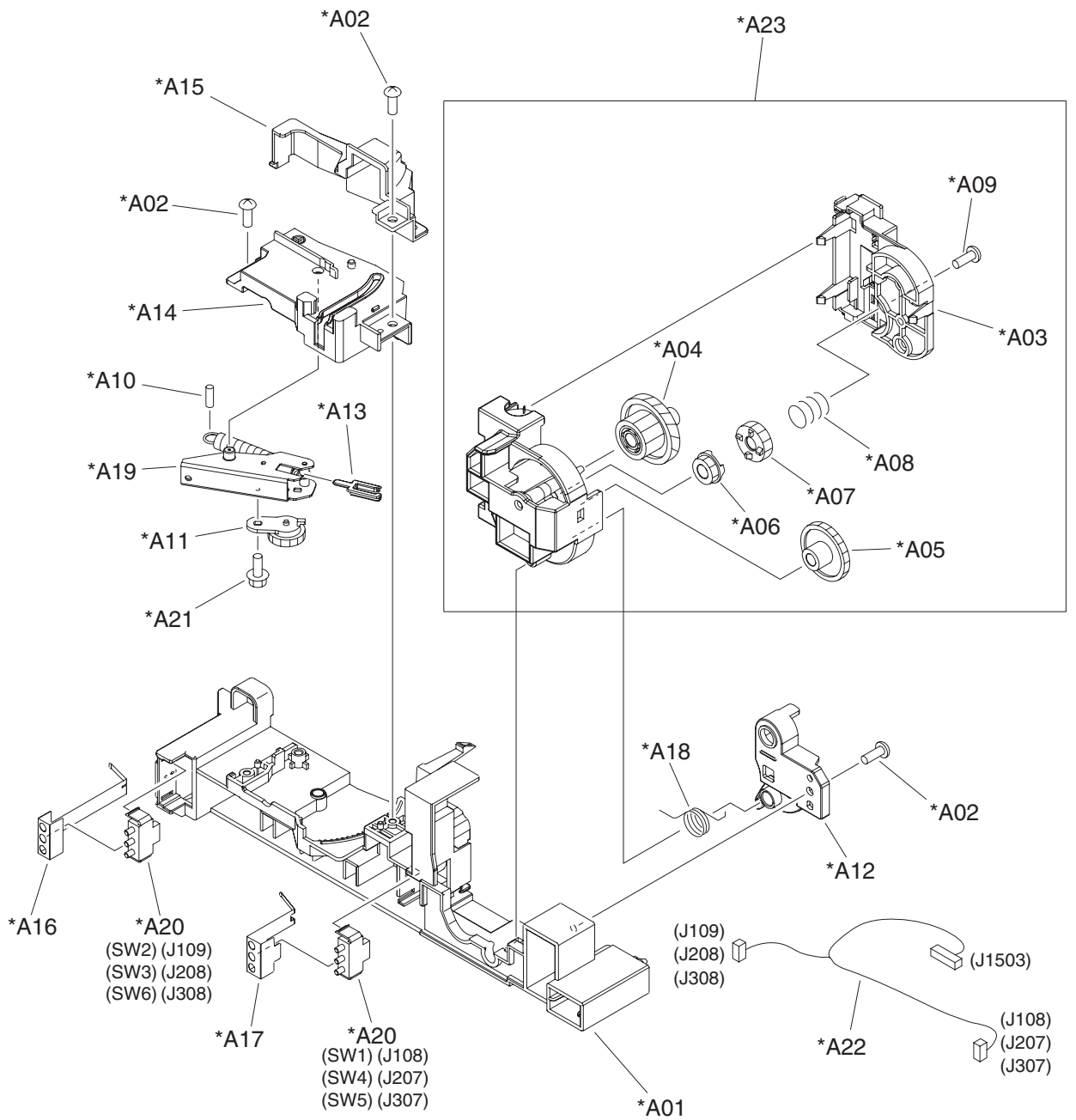


Figure 7-41 Lifter drive assembly (HCI)

Table 7-43 Lifter drive assembly (HCI)

Ref	Description	Part number	Qty
All	Lifter drive assembly (1X500)	RM1-3819-000CN	1
All	Lifter drive assembly (3X500)	RM1-3819-000CN	3
A01	Base, lifter		1
A02	Screw		3
A04	Gear, 16T/46T		1
A05	Gear, 14T/53T		1
A06	Gear, 23T		1
A07	Gear, 33T		1
A08	Spring, compression		1
A09	Screw, w/washer, M3X6		2
A10	Pin, dowel		1
A11	Gear, 17T		1
A12	Stopper, lifter swing		1
A13	Hook		1
A14	Cover, lifter drive		1
A15	Cover, lifter drive, rear		1
A16	Spring, grounding		1
A17	Spring, grounding		1
A18	Spring, torsion		1
A19	Arm, toggle		1
A20	Switch, push		2
A21	Screw, RS, M3X8		1
A22	Cable, paper size sensor		1
A23	Lifter assembly		1



NOTE Not all components listed in the parts tables can be ordered. If a component listed has an associated part number, then it is a field replaceable unit (FRU) and can be ordered. If the component does not have an associated part number, you must order the FRU that includes the desired component.

Cassette (HCI)

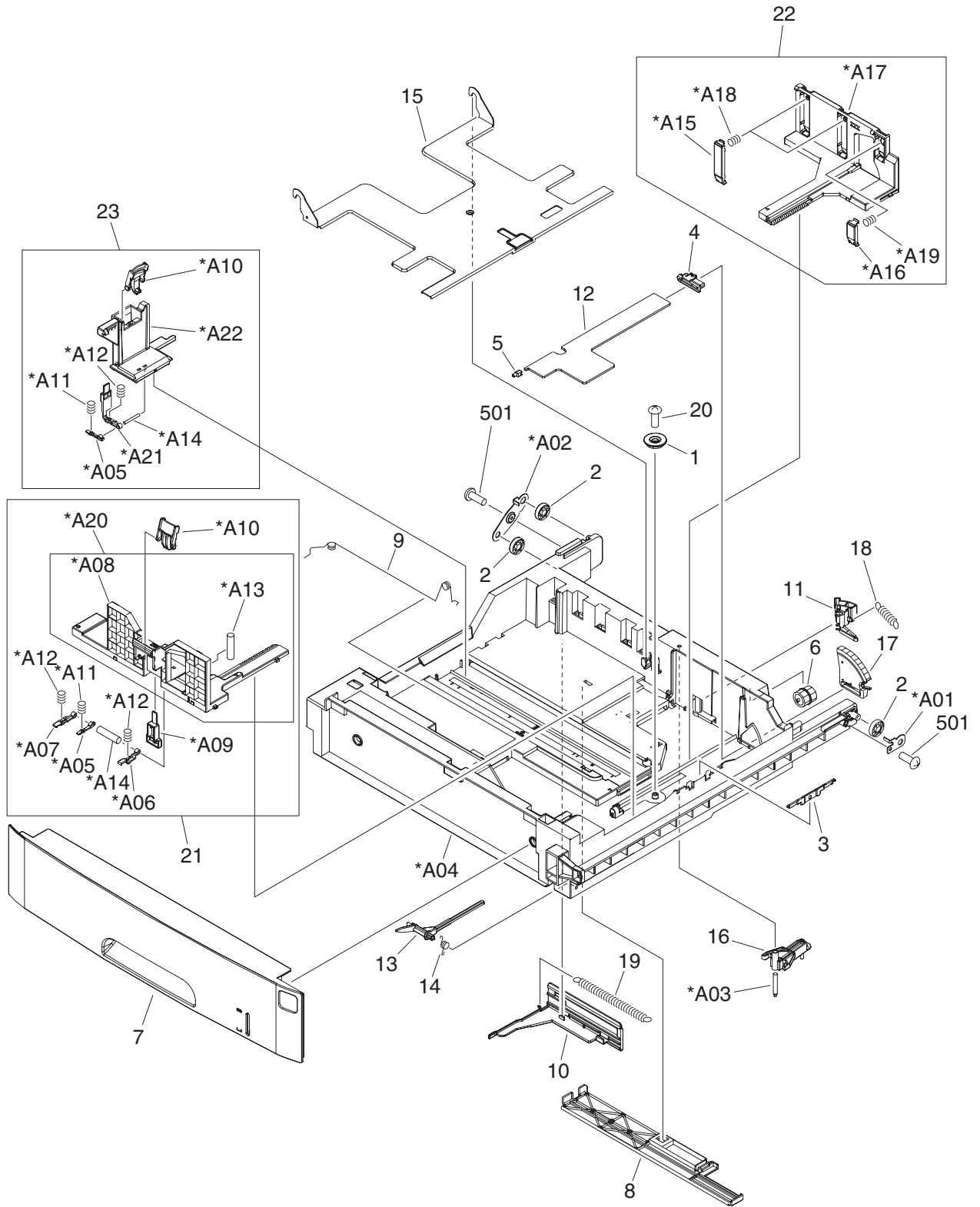


Table 7-44 Cassette (HCI)

Ref	Description	Part number	Qty
All	Cassette (1X500 HCI)	RM1-3815-000CN	1
All	Cassette (3X500 HCI)	RM1-3815-000CN	3
1	Gear, 20T		1
2	Roller, cassette		3
3	Guide, nip		1
4	Support, lifter arm, 1		1
5	Support, lifter arm, 2		1
6	Gear, 14T		1
7	Cover, cassette, front		1
8	Cover, back end sensor		1
9	Spring, grounding		1
10	Block, length sensor		1
11	Lever, paper width sensor		1
12	Arm, lifter		1
13	Arm, remnant indication		1
14	Spring, torsion		1
15	Plate, lifter		1
16	Arm, pin support lifter		1
17	Gear, 80T		1
18	Spring, tension		1
19	Spring, tension		1
20	Screw, B, M4X8		1
21	Paper side end front assembly		1
22	Paper side end rear assembly		1
23	Back end limit assembly		1
501	Screw		2
A01	Plate, roller, right		1
A02	Plate, roller, left		1
A03	Shaft, arm support		1
A04	Body, cassette		1
A05	Arm, size click		2
A06	Stopper, side, right		1
A07	Stopper, side, left		1
A08	Plate, paper side end		1

Ref	Description	Part number	Qty
A09	Block, side release		1
A10	Knob, stopper release		2
A11	Spring, compression		2
A12	Spring, compression		3
A13	Pin, dowel		1
A14	Pin, dowel		2
A15	Guide, paper retaining, rear		2
A16	Guide, paper retaining, front		1
A17	Plate, paper side end		1
A18	Spring, compression		2
A19	Spring, compression		1
A20	Plate, paper side end		1
A21	Lifter, back end		1
A22	Plate, back end limit		1



NOTE Not all components listed in the parts tables can be ordered. If a component listed has an associated part number, then it is a field replaceable unit (FRU) and can be ordered. If the component does not have an associated part number, you must order the FRU that includes the desired component.

Paper pickup assembly (HCI)

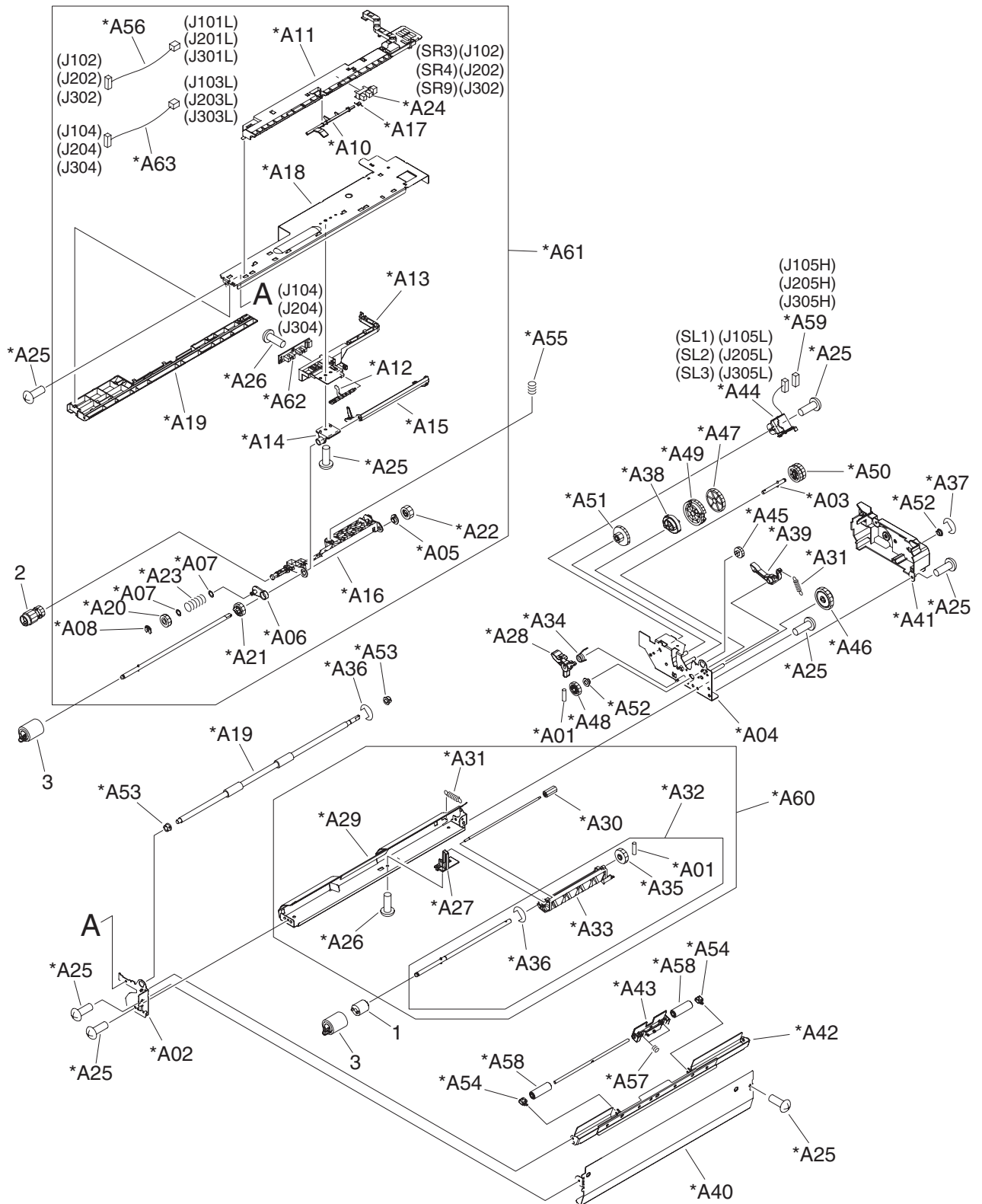


Figure 7-43 Paper pickup assembly (HCI)

Table 7-45 Paper pickup assembly (HCI)

Ref	Description	Part number	Qty
All	Paper pickup assembly (1X500 HCI)	RM1-3821-000CN	1
All	Paper pickup assembly (3X500)	RM1-3821-000CN	3
1	Limiter, torque		1
2	Roller, pickup	RL1-1206-000CN	1
3	Paper feed roller assembly	RL1-0037-000CN	2
A01	Pin, dowel		2
A02	Side plate, paper pickup fr.		1
A03	Shaft, retard link		1
A04	Side plate, pickup drive		1
A05	Bushing		1
A06	Plate, swing		1
A07	Slider, polyester		2
A08	Ring, retaining		1
A09	Guide, jam clearing		1
A10	Flag, jam sensor		1
A11	Guide, paper pickup upper		a
A12	Flag, paper yes/no sensor		1
A13	Holder, sheet sensor		1
A14	Holder, pick arm		1
A15	Flag, paper level sensor		1
A16	Arm, pick		1
A17	Spring, torsion		1
A18	Plate, paper pickup upper		1
A19	Roller, paper feed		1
A20	Gear, 14T		1
A21	Gear, 23T		1
A22	Gear, 17T		1
A23	Spring, compression		1
A24	Photo interrupter, TLP1243		1
A25	Screw, TP, M3X6		12
A26	Screw, tap, binding head, M3X8		2
A27	Plate, retard busing		1
A28	Lever, nip pressure release		1
A29	Guide, paper pickup lower		1

Ref	Description	Part number	Qty
A30	Gear, 14T		1
A31	Spring, tension		2
A32	Retard holder assembly		1
A33	Holder, retard		1
A34	Spring, torsion		1
A35	Gear, 37T		1
A36	Ring, E		2
A37	Ring, E		1
A38	Cam, pick		1
A39	Lever, trigger		1
A40	Guide, pickup vertical feed		1
A41	Cover, paper pickup gear		1
A42	Plate, feed roller mounting		1
A43	Arm, feed roller pressure		1
A44	Solenoid		1
A45	Gear, 14T		1
A46	Gear, 20T/33T		1
A47	Gear, 60T		1
A48	Gear, 33T		1
A49	Gear, 37T		1
A50	Gear, 24T/42T		1
A51	Gear, 21T/62T		1
A52	Bushing		2
A53	Bushing		2
A54	Bushing		2
A55	Spring, compression		1
A56	Cable, pickup opt. jam sensor		1
A57	Spring, compression		2
A58	Roller, paper feed		2
A59	Connector, snap tight, BK		1
A60	Paper pickup LW guide assembly		1
A61	Paper pickup UP plate assembly		1
A62	Option paper sensor PCA assembly		1
A63	Cable, OPT sensor PCA connect		1



NOTE Not all components listed in the parts tables can be ordered. If a component listed has an associated part number, then it is a field replaceable unit (FRU) and can be ordered. If the component does not have an associated part number, you must order the FRU that includes the desired component.

HCI PCA assemblies

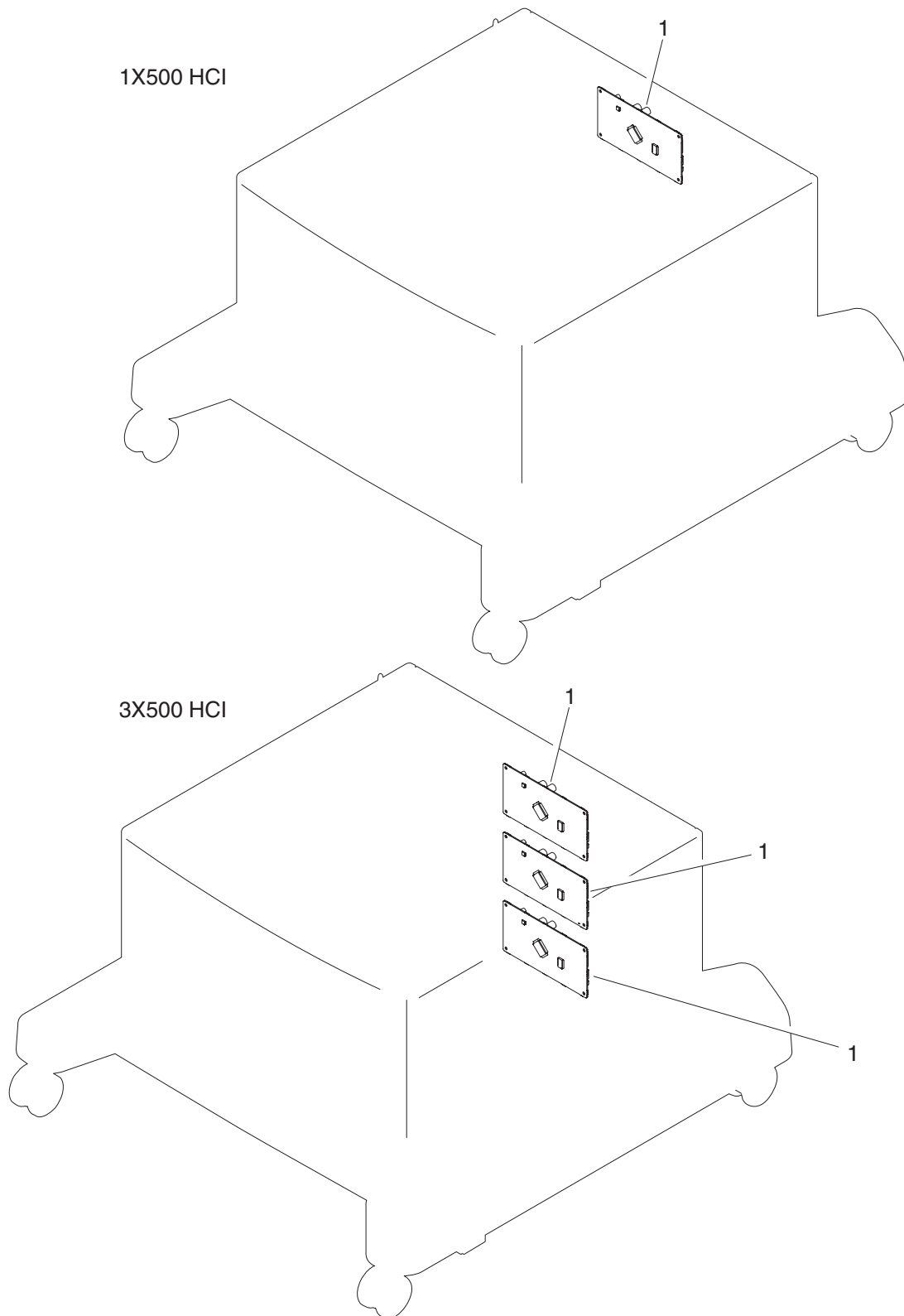


Figure 7-44 PCA assemblies

Table 7-46 PCA assemblies

Ref	Description	Part number	Qty
1	Paper feed PCA assembly (1X500 HCI)	RM1-3641-000CN	1
1	Paper feed PCA assembly (3X500 HCI)	RM1-3641-000CN	3



NOTE Not all components listed in the parts tables can be ordered. If a component listed has an associated part number, then it is a field replaceable unit (FRU) and can be ordered. If the component does not have an associated part number, you must order the FRU that includes the desired component.