
7 Parts and diagrams

Chapter contents

- [Ordering parts and supplies](#)
- [Consumables and accessories](#)
- [ADF/scanner assembly](#)
- [Covers](#)
- [Internal components](#)
- [Tray 2 pickup assembly](#)
- [Alphabetical parts list](#)
- [Numerical parts list](#)

Ordering parts and supplies

Parts

Order replacement parts from the following Web sites:

h30074.www3.hp.com/csn-aux/srvcdlvry/epdo/default/ePDOLogin.asp (technicians)

h20141.www2.hp.com/hpparts (customers)

Related documentation and software

Order documentation and software from the companies listed in the following table; some documentation and software is available at the following Web sites.

Table 7-1 Technical support Web sites

HP Customer Care Online	www.hp.com/support
Software drivers, support documentation, and answers to frequently asked questions	
HP Technical Training	education.itrc.hp.com/TrainerII/en-US/index.jsp
(North America)	
Classes and schedules	

Supplies

Device supplies are listed in this chapter. Consumables are available directly from HP at the following numbers.

- US: 800-538-8787
- Canada: 800-387-3154 (in Toronto: 416-671-8383)
- United Kingdom: 0734-441212
- Germany: 0130-3322

Contact your local HP Parts Coordinator for other local phone numbers.

Consumables and accessories

The following accessories and supplies are available for the HP LaserJet M3027/M3035.

Consumables and accessories

Product name	Description	Product number	Part number
Paper-handling accessories			
Optional 500-sheet tray and feeder unit	Optional tray to increase paper capacity holds Letter, A4, Legal, A5, B5 (JIS), Executive, and 8.5 x 13 inch paper sizes	Q5963A	Q5963A
Print cartridges			
HP LaserJet print cartridge	6,500-page cartridge	Q7551A	Q7551A
HP LaserJet print cartridge	13,000-page cartridge	Q7551X	Q7551X
Memory			
32 MB, 100-pin DDR memory DIMM	Boosts the ability of the device to handle large or complex print jobs	Q3982A	Q3982A
48 MB, 100-pin DDR memory DIMM	Boosts the ability of the device to handle large or complex print jobs	Q6007A	Q6007A
64 MB, 100-pin DDR memory DIMM	Boosts the ability of the device to handle large or complex print jobs	Q2625A	Q2625A
128 MB, 100-pin DDR memory DIMM	Boosts the ability of the device to handle large or complex print jobs	Q2626A	Q2626A
256 MB, 100-pin DDR memory DIMM	Boosts the ability of the device to handle large or complex print jobs	Q2627A	Q2627A
Cables and interfaces			
Enhanced I/O (EIO) cards. HP Jetdirect print server multiprotocol EIO network cards.	HP Jetdirect 620n Fast Ethernet (10/100Base-TX) print server	J7934A	J7934A
Enhanced I/O (EIO) cards. HP Jetdirect print server multiprotocol EIO network cards.	HP Jetdirect 680n 802.11b wireless internal print server	J6058A	J6058A
Enhanced I/O (EIO) cards. HP Jetdirect print server multiprotocol EIO network cards.	HP Jetdirect Connectivity card for USB, serial, and LocalTalk connections	J4135A	J4135A
USB cable	2-meter A to B cable	C6518A	C6518A

ADF/scanner assembly

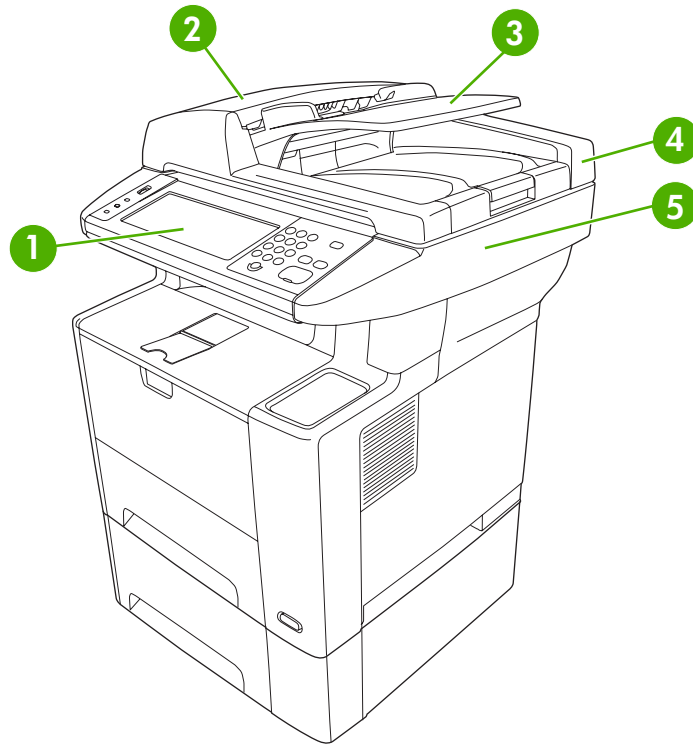


Figure 7-1 ADF/scanner assembly

Table 7-2 ADF/scanner assembly

Ref	Description	Part number	Qty
1	Control panel	CB414-60101	1
2	Cover, ADF	CB414-67902	1
3	Input tray, ADF	CB414-67903	1
4	ADF assembly	CB414-67916	1
5	Scanner assembly (ADF assembly is <i>not</i> included)	CB414-67905	1

Covers

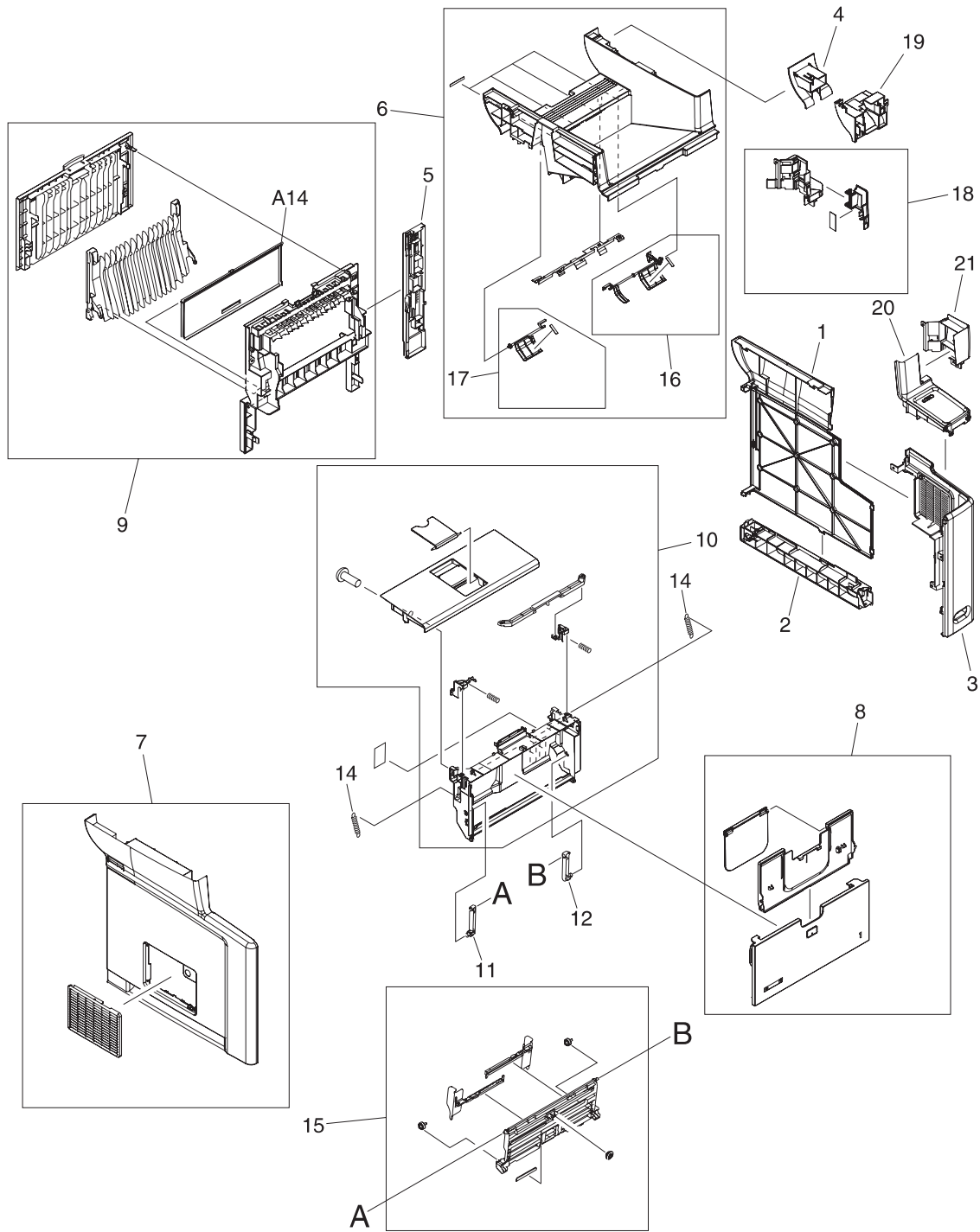


Figure 7-2 Covers

Table 7-3 Covers

Ref	Description	Part number	Qty
1	Cover, right-side (DIMM cover)	RC2-0722-000CN	1
2	Cover, right lower	RC2-0603-000CN	1
3	Cover, right front	RL1-1723-000CN	1
4	Cover, fax	RC2-0726-000CN	1
5	Cover, I/O	RC2-0612-000CN	1
6	Top cover assembly	RM1-3772-000CN	1
7	Cover, left	RM1-3773-000CN	1
8	Tray 1 cover assembly	RM1-3723-000CN	1
9	Rear cover assembly	RM1-3724-000CN	1
10	Cartridge door assembly	RM1-3722-000CN	1
11	Hinge, left	RC1-4057-000CN	1
12	Hinge, right	RC1-4058-000CN	1
14	Spring, tension	RU5-2388-000CN	2
15	Tray 1 assembly	RM1-1490-000CN	1
16	Flag assembly, full detect	RM1-3742-000CN	1
17	Flag assembly, face-down	RM1-3743-000CN	1
18	Cover, stapler	RM1-3790-000CN	1
19	Cover, fax internal (fax rail)	RC2-0729-000CN	1
20	Paper clip tray	RC2-0724-000CN	1
21	Stapler door (for devices with staplers)	CB414-40064	1
21	Cover (replaces the stapler door for devices without staplers)	RC2-0727-000CN	1
A14	Cover, legal	RL1-1366-000CN	1

Internal components

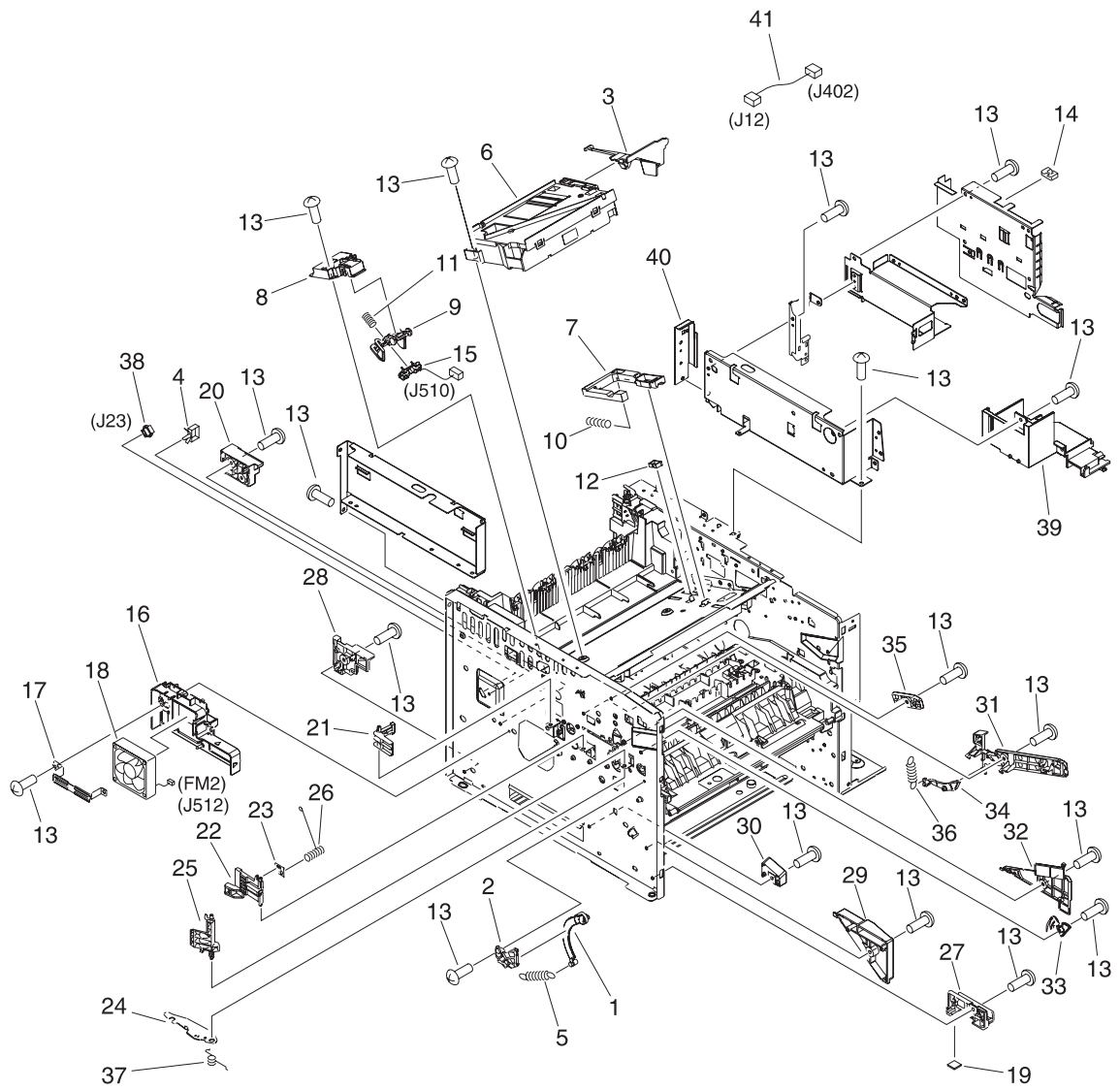


Figure 7-3 Internal components (1 of 6)

Table 7-4 Internal components (1 of 6)

Ref	Description	Part number	Qty
1	Arm, door	RC1-4055-000CN	1
2	Guide, door arm	RC1-4056-000CN	1
3	Duct, scanner	RC1-4128-020CN	1
4	Clip clamp, wire	WT2-5694-000CN	1
5	Spring, tension	RU5-2407-000CN	1
6	Laser/scanner assembly	RM1-1521-030CN	1
7	Link, laser shutter	RC1-4125-000CN	1
8	Stay, tag holder	RC1-4126-000CN	1
9	Holder, tag	RC1-4127-000CN	1
10	Spring, compression	RU5-2404-000CN	1
11	Spring, compression	RU5-2405-000CN	1
12	Clip, cable	WT2-5812-000CN	1
13	Screw, D, M3x8	XA9-1671-000CN	13
14	Clip, cable	WT2-5056-000CN	1
15	Cable, memory tag	RM1-4054-000CN	1
16	Holder, sub fan	RC2-0622-000CN	1
17	Plate, fan shield, left	RC2-0623-000CN	1
18	Fan, left-side	RK2-1499-000CN	1
19	Foot, rubber	RA0-1003-000CN	3
20	Holder	RC1-4009-000CN	1
21	Lever, grounding contact	RC1-4065-000CN	1
22	Lever, grounding contact	RC1-4066-020CN	1
23	Spring, leaf	RC1-4067-000CN	1
24	Plate, protective	RC1-4136-000CN	1
25	Cam, contact	RC1-4137-020CN	1
26	Spring, compression	RC1-4140-000CN	1
27	Guide, cassette, left front	RC2-0565-000CN	1
28	Guide, cassette, left rear	RC2-0566-000CN	1
29	Guide, center plate, left	RC2-0567-000CN	1
30	Stopper, feed guide, left	RC2-0585-000CN	1
31	Guide, cartridge, left upper	RC2-0703-000CN	1
32	Guide, cartridge, left lower	RC2-0704-000CN	1
33	Lever, drive release	RC2-0705-000CN	1
34	Lever, cartridge clamp	RC2-0706-000CN	1

Ref	Description	Part number	Qty
35	Stopper, cartridge, left	RC2-0707-000CN	1
36	Spring, tension	RU5-2403-000CN	1
37	Spring, torsion	RU5-2410-020CN	1
38	Connector, snap-tight, black	VS1-7177-003CN	1
39	Tray, staple	RC2-0725-000CN	1
40	Plate, I/O	RC2-0736-000CN	1
41	Cable assembly	RM1-4053-000CN	1
(not shown)	Stapler	CB414-60147	1
(not shown)	Power-supply, stapler	Q7429-69501	1
(not shown)	Formatter	Q7819-60001	1

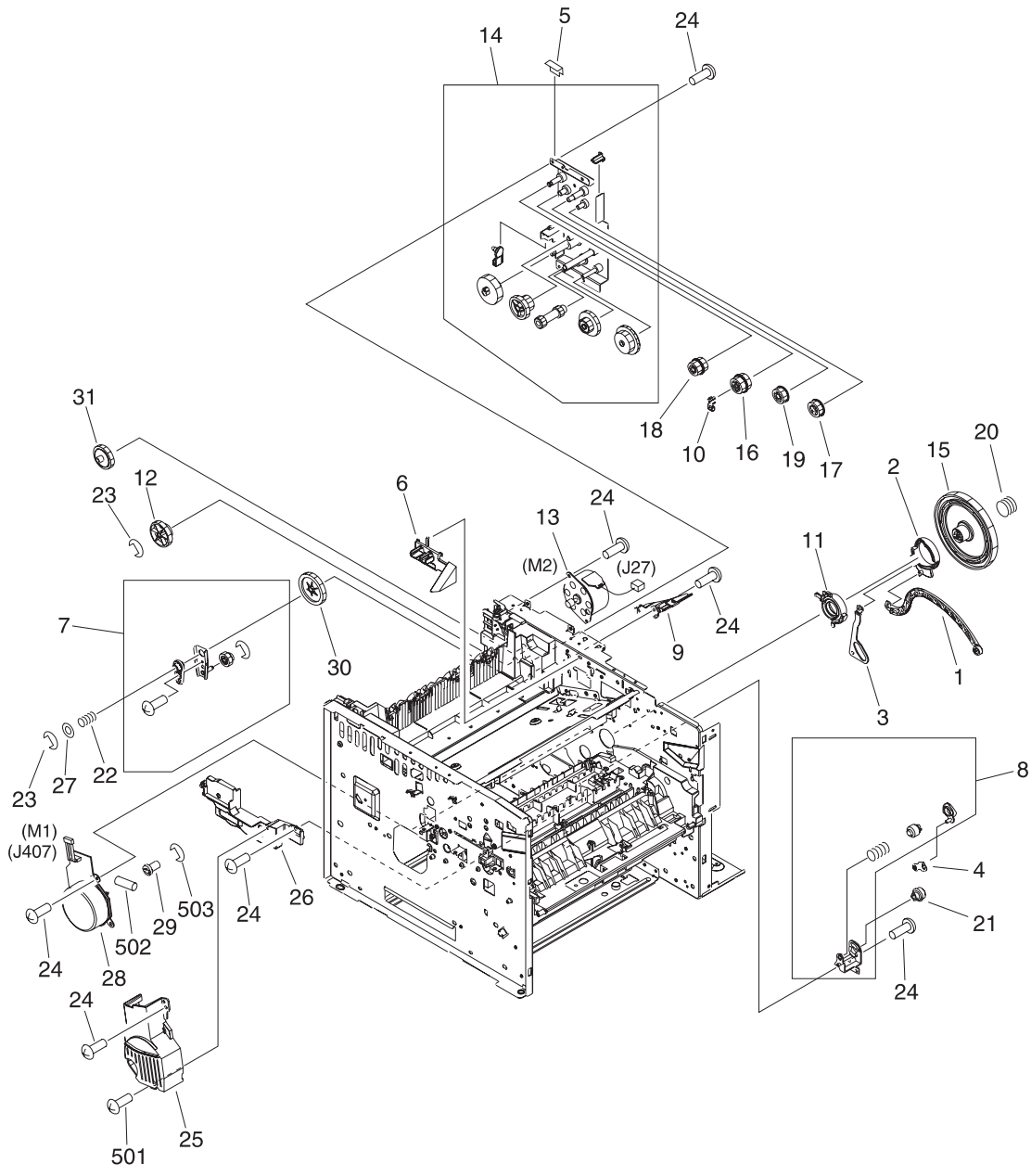


Figure 7-4 Internal components (2 of 6)

Table 7-5 Internal components (2 of 6)

Ref	Description	Part number	Qty
1	Lever, coupling	RC1-4115-000CN	1
2	Cam	RC1-4114-000CN	1
3	Lever, drive release	RC1-4116-000CN	1
4	Link, drive release	RC1-4117-000CN	1
5	Film, fuser drive side plate	RC2-0649-000CN	1
6	Duct, cartridge	RC2-0590-000CN	1
7	Pendulum assembly	RM1-3748-000CN	1
8	Drive release assembly	RM1-1522-000CN	1
9	Guide, air	RC2-0648-000CN	1
10	Stopper, fuser	RC2-0657-000CN	
11	Bushing, inner	RC2-0701-000CN	1
12	Gear, 65T	RU5-0962-000CN	1
13	Motor, stepping	RK2-1489-000CN	1
14	Fixing drive side plate assembly	RM1-3746-000CN	1
15	Gear, 201t	RU5-0950-000CN	1
16	Gear, 20T/20T	RU5-0956-000CN	1
17	Gear, 20T	RU5-0957-000CN	1
18	Gear, 17T/17T	RU5-0958-000CN	1
19	Gear, 19T	RU5-0959-000CN	1
20	Spring, compression	RU5-2401-000CN	1
21	Gear, 12T	RU5-0394-000CN	1
22	Spring, compression	RU5-2920-000CN	1
23	E-ring	XD2-1100-402CN	2
24	Screw, D, M3x8	XA9-1671-000CN	1
24	Screw, RS, M3x8	XA9-1500-000CN	7
25	Cover, main motor	RC1-4108-000CN	1
26	Cover, gear	RC2-0579-000CN	1
27	Washer	RC2-0652-000CN	1
28	Motor, dc, 26.2 W	RK2-1488-000CN	1
29	Gear, 16T	RU5-0951-000CN	1
30	Gear, 43T	RU5-0955-000CN	1
31	Gear, 31T	RU5-0960-000CN	1

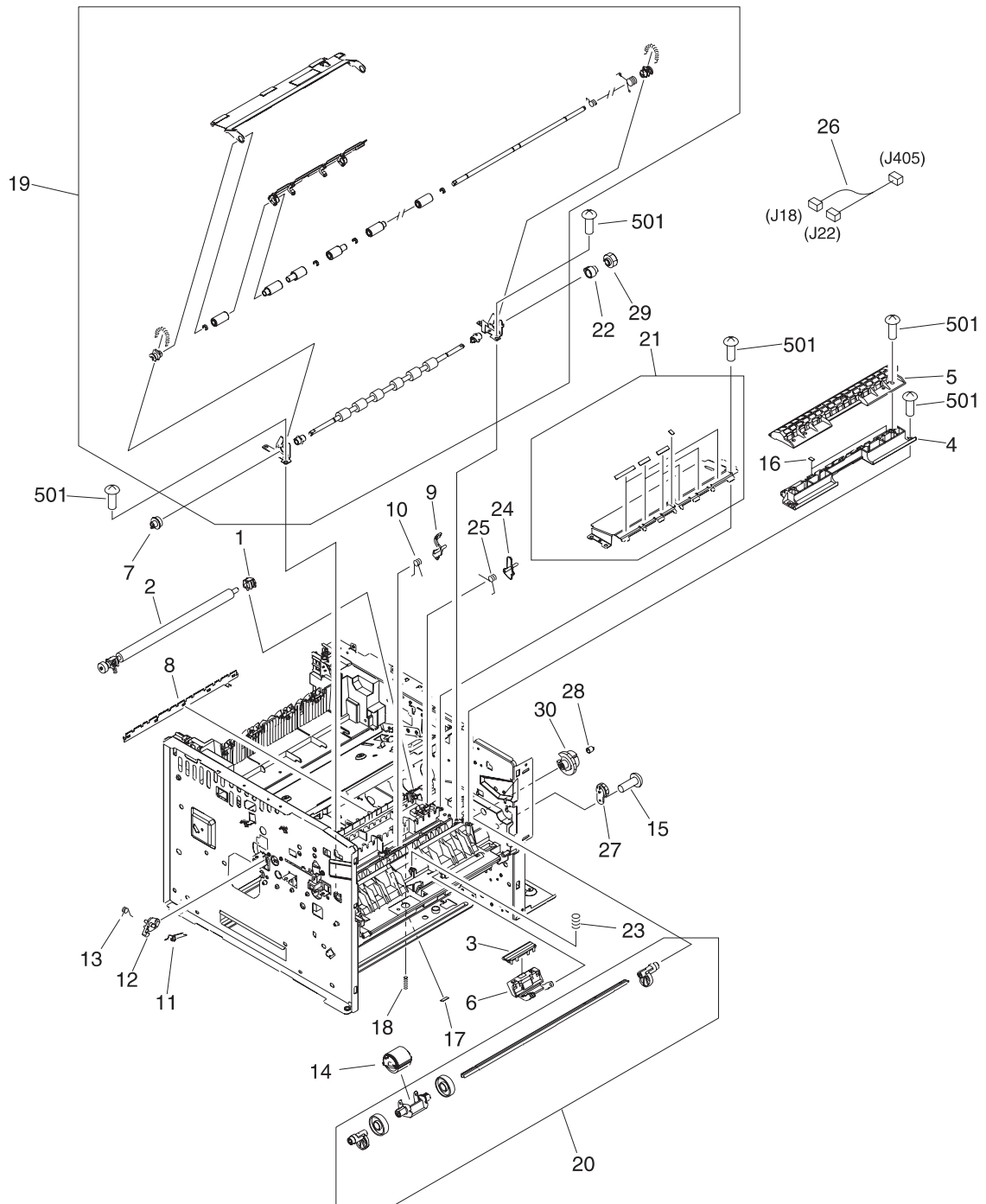


Figure 7-5 Internal components (3 of 6)

Table 7-6 Internal components (3 of 6)

Ref	Description	Part number	Qty
1	Bushing, transfer, right	RC1-0922-000CN	1
2	Transfer roller assembly	RM1-1508-000CN	1
3	Pad, separation	RC1-0939-000CN	1
4	Guide, feed	RC1-3935-000CN	1
5	Cover, registration	RC1-3936-020CN	1
6	Arm, pad	RC1-3937-000CN	1
7	Gear, 12T	RU5-0400-000CN	1
8	Eliminator, static charge	RC1-4025-000CN	1
9	Lever, sensor	RC1-4027-000CN	1
10	Spring, torsion	RC1-4028-000CN	1
11	Spring, torsion	RC1-4059-000CN	1
12	Lever	RC1-4060-000CN	1
13	Spring, torsion	RC1-4061-000CN	1
14	Roller, tray 1 pick-up	RL1-0568-000CN	1
15	Screw, D, M3x8	XA9-1671-000CN	1
16	Sheet, static charge	RC1-4069-000CN	2
17	Sheet, static charge	RC1-4070-000CN	1
18	Spring, compression	RU5-2408-000CN	1
19	Registration assembly	RM1-3715-000CN	1
20	Tray 1 pickup roller assembly	RM1-3716-000CN	1
21	Transfer guide assembly, lower	RM1-3757-000CN	1
22	Stopper, gear	RC1-4189-000CN	1
23	Spring, compression	RU5-2385-000CN	1
24	Arm, width-sensor	RC2-0575-000CN	1
25	Spring, torsion	RC2-0576-000CN	1
26	Cable, delivery sensor	RM1-4057-000CN	1
27	Gear, 17T	RA0-1172-000CN	1
28	Spring compression	RC2-0483-000CN	1
29	Gear, 14T	RU5-0409-000CN	1
30	Gear, 30T	RU5-0366-000CN	1
501	Screw, tapping, truss head, M4x10	XB4-7401-005CN	9

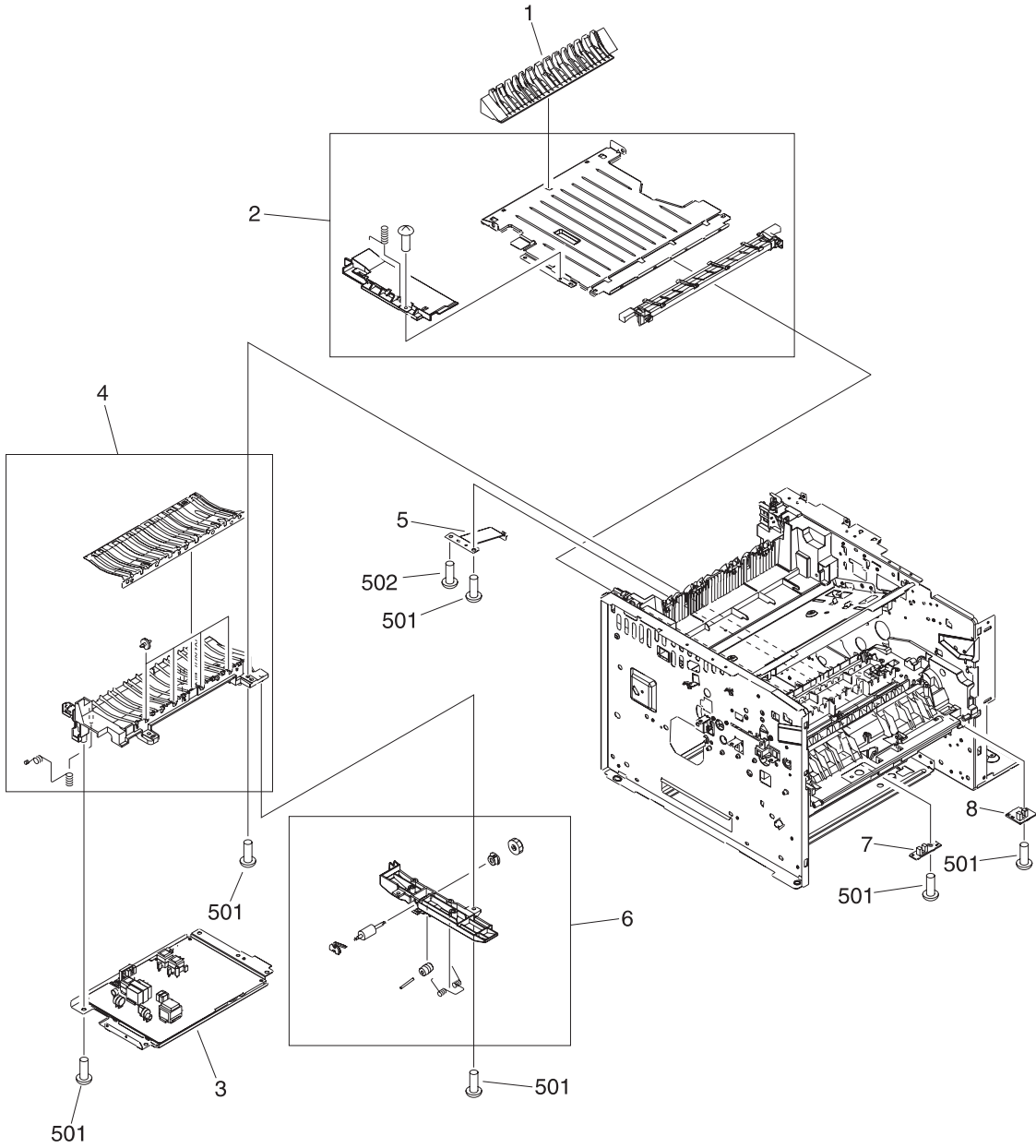


Figure 7-6 Internal components (4 of 6)

Table 7-7 Internal components (4 of 6)

Ref	Description	Part number	Qty
1	Guide, duplex inlet	RC1-4096-000CN	1
2	Feed assembly, lower	RM1-3759-000CN	1
3	Power supply	RM1-3758-000CN	1
4	Feed guide assembly	RM1-3760-000CN	1
5	Plate, grounding	RC1-4085-000CN	1
6	Position guide assembly	RM1-1506-000CN	1
7	Sensor PCA, top-of-page	RM1-4040-000CN	1
8	Sensor PCA, width	RM1-4042-000CN	1
501	Screw, tapping, truss head, M4x10	XB4-7401-005CN	6
502	Screw w/washer, M3x6	XB2-7300-605CN	1

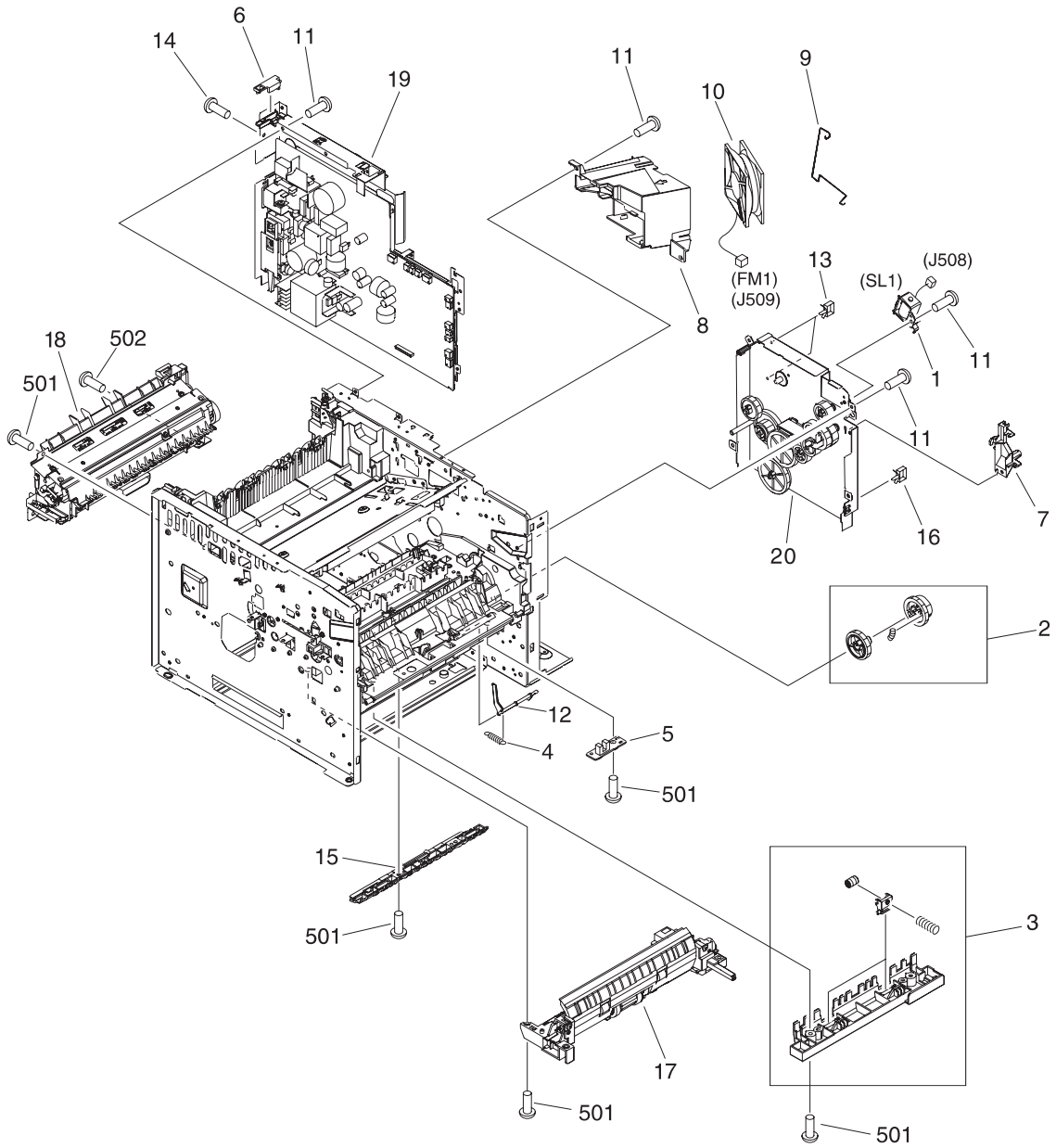


Figure 7-7 Internal components (5 of 6)

Table 7-8 Internal components (5 of 6)

Ref	Description	Part number	Qty
1	Solenoid, tray 1	RK2-1490-000CN	1
2	Pick-up roller gear assembly	RM1-3714-000CN	1
3	Roller stay assembly	RM1-1485-000CN	1
4	Spring, torsion	RU5-2386-000CN	1
5	Sensor PCA, multipurpose	RM1-4041-000CN	1
6	Cover, face-up-sensor cable	RC2-0739-000CN	1
7	Holder, cable	RC2-0588-000CN	1
8	Holder, main fan	RC2-0592-000CN	1
9	Static wire, right-side fan	RC2-0593-000CN	1
10	Fan, right-side	RK2-1497-000CN	1
11	Screw, D, M3x8	XA9-1671-000CN	15
12	Lever, sensor	RC1-3939-000CN	1
13	Cable guide	WT2-5694-000CN	2
14	Screw, tapping, M3x6	XA9-1503-000CN	15
15	Guide	RC1-4083-000CN	
16	Cable guide	WT2-5678-000CN	1
17	Tray 2 pickup assembly (also see Tray 2 pickup assembly on page 290)	RM1-3762-000CN	1
18	Fuser, 110-127 V	RM1-3740-000CN	1
18	Fuser, 220-240 V	RM1-3741-000CN	1
19	ECU, 110-127 V	RM1-3774-000CN	1
19	ECU, 220-240 V	RM1-3775-000CN	1
20	Gear assembly	RM1-3712-000CN	1
501	Screw, tapping, truss head, M4x10	XB4-7401-005CN	10
502	Screw w/washer, M3x6	XB2-7300-605CN	1

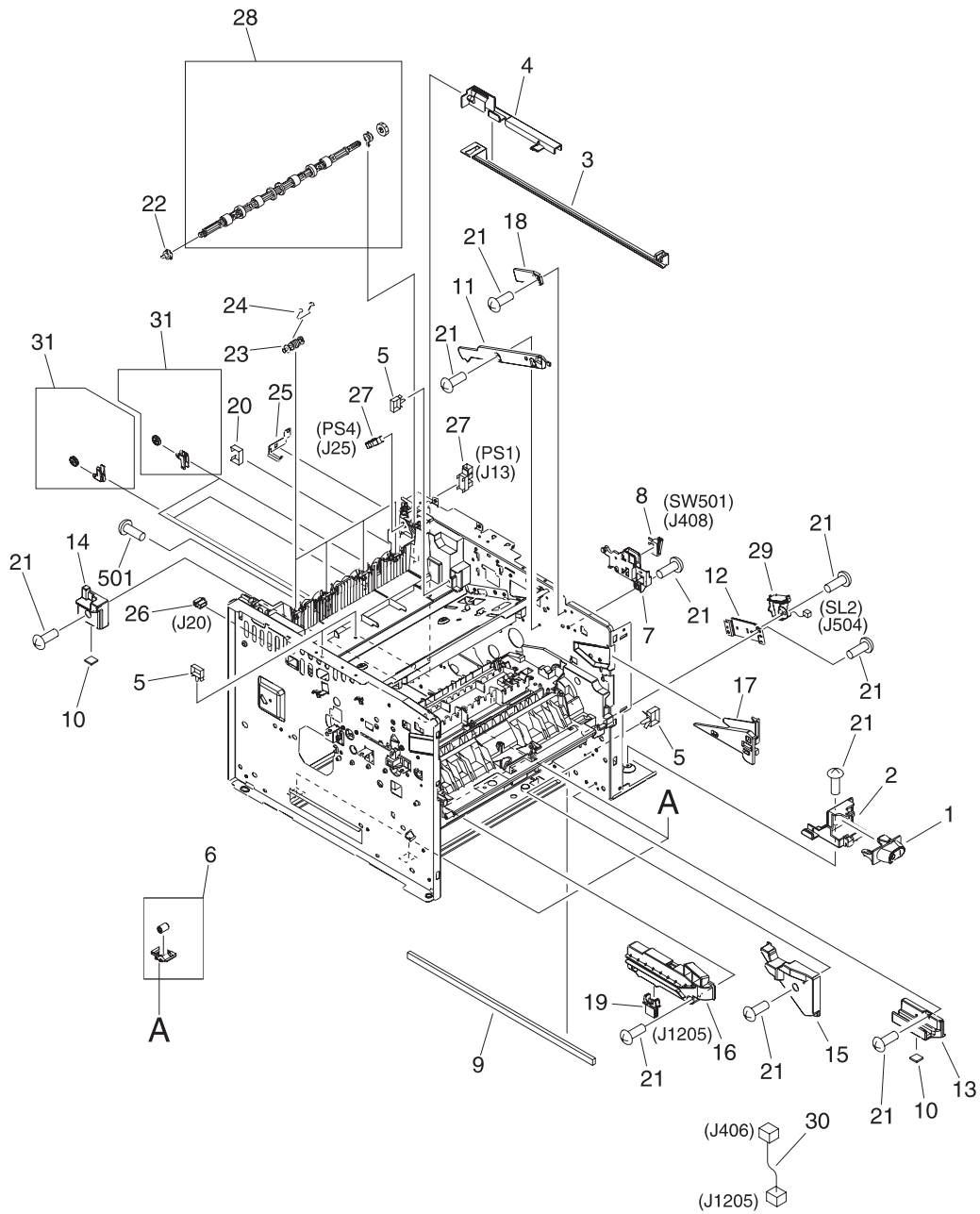


Figure 7-8 Internal components (6 of 6)

Table 7-9 Internal components (6 of 6)

Ref	Description	Part number	Qty
1	Power switch	RC2-0631-000CN	1
2	Holder, switch	RC2-0632-000CN	1
3	Link, switch	RC2-0633-000CN	1
4	Holder, switch link	RC2-0634-000CN	1
5	Cable guide	WT2-5678-000CN	4
6	Roller assembly, bottom plate	RM1-3727-000CN	4
7	Holder, interlock	RC2-0595-000CN	1
8	Microswitch	RK2-0534-000CN	1
9	Cushion, right lower	RC2-0468-000CN	1
10	Foot, rubber	RA0-1003-000CN	2
11	Guide, cartridge, upper-right	RC2-0492-000CN	1
12	Mount, solenoid	RC2-0498-000CN	1
13	Guide, cassette, front-right	RC2-0559-000CN	1
14	Guide, cassette, back-right	RC2-0560-000CN	1
15	Guide, center plate, right	RC2-0561-000CN	1
16	Holder, option connector	RC1-0562-000CN	1
17	Guide, cartridge, lower-right	RC2-0700-000CN	1
18	Stopper, cartridge, right	RC2-0702-000CN	1
19	Connector, drawer	VS1-7257-007CN	1
20	Cable guide	WT2-5056-000CN	1
21	Screw, D, M3x8	XA9-1671-000CN	14
22	Bushing	RC1-3665-000CN	1
23	Roller, face-down	RC1-3994-000CN	4
24	Spring, torsion	RC2-0665-000CN	4
25	Plate, face-up shield	RC2-0697-000CN	1
26	Connector, snap-tight, black	VS1-7177-004CN	1
27	Photo-interrupter	WG8-5624-000CN	2
28	Roller assembly, face-down	RM1-3749-000CN	1
29	Solenoid	RK2-1492-000CN	1
30	Cable, option interface	RM1-4062-000CN	1
31	Roller assembly, delivery	RM1-1497-000CN	4
501	Screw, tapping, truss head, M4x10	XB4-7401-005CN	2

Tray 2 pickup assembly

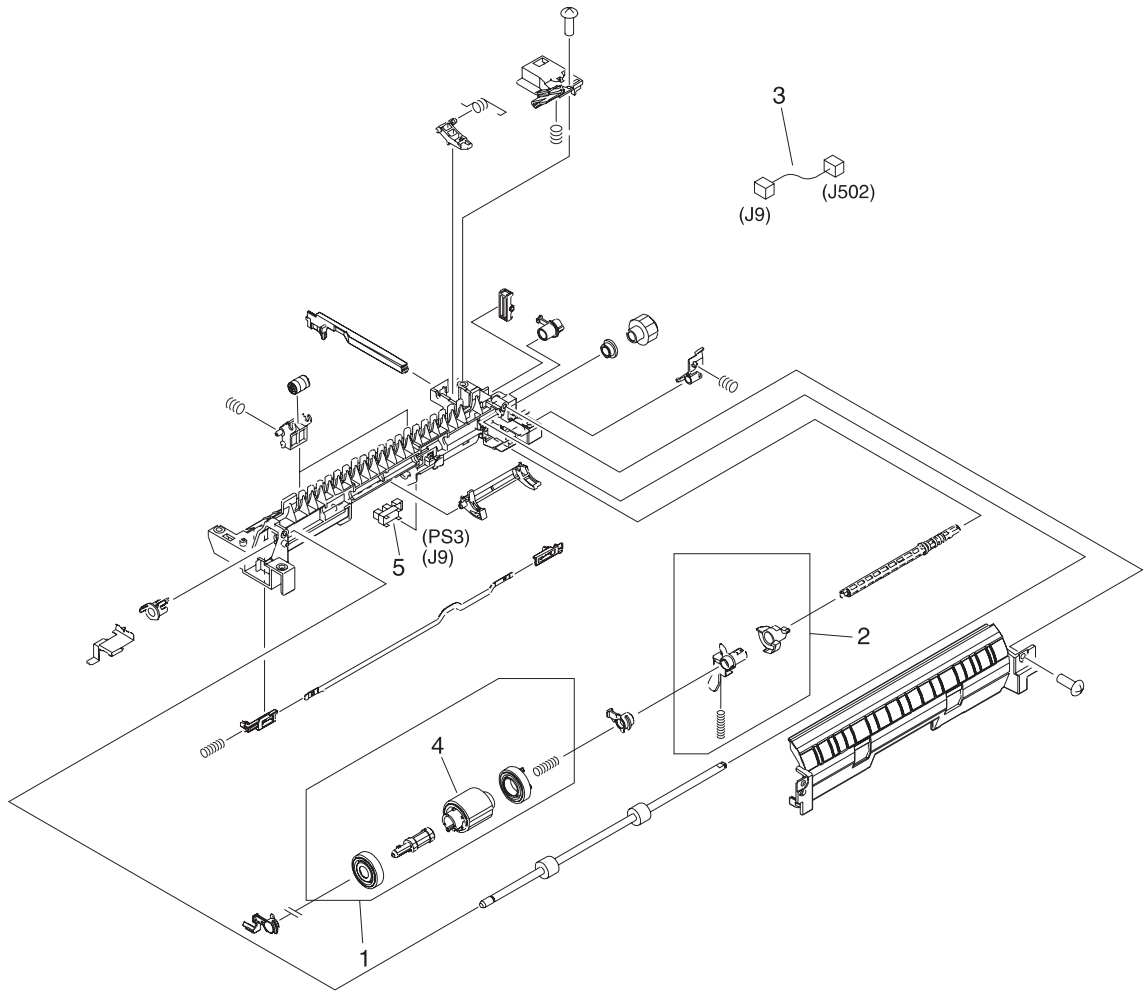


Figure 7-9 Tray 2 pickup assembly

Table 7-10 Tray 2 pickup assembly

Ref	Description	Part number	Qty
	Tray 2 pickup assembly	RM1-3762-000CN	1
1	Pickup roller assembly, tray 2	RM1-3763-000CN	1
2	Sensor flag assembly, tray 2	RM1-3769-000CN	1
3	Cable, sensor, tray 2	RM1-4060-000CN	1
4	Pickup roller, tray 2	RL1-1370-000CN	1
5	Photo-interrupter, tray 2	WG8-5624-000CN	1

Alphabetical parts list

Table 7-11 Alphabetical parts list

Description	Part number	Table and page
ADF assembly	CB414-67916	ADF/scanner assembly on page 273
Arm, door	RC1-4055-000CN	Internal components (1 of 6) on page 277
Arm, pad	RC1-3937-000CN	Internal components (3 of 6) on page 283
Arm, width-sensor	RC2-0575-000CN	Internal components (3 of 6) on page 283
Bushing	RC1-3665-000CN	Internal components (6 of 6) on page 289
Bushing, inner	RC2-0701-000CN	Internal components (2 of 6) on page 281
Bushing, transfer, right	RC1-0922-000CN	Internal components (3 of 6) on page 283
Cable assembly	RM1-4053-000CN	Internal components (1 of 6) on page 277
Cable guide	WT2-5694-000CN	Internal components (5 of 6) on page 287
Cable guide	WT2-5678-000CN	Internal components (5 of 6) on page 287
Cable guide	WT2-5678-000CN	Internal components (6 of 6) on page 289
Cable guide	WT2-5056-000CN	Internal components (6 of 6) on page 289
Cable, delivery sensor	RM1-4057-000CN	Internal components (3 of 6) on page 283
Cable, memory tag	RM1-4054-000CN	Internal components (1 of 6) on page 277
Cable, option interface	RM1-4062-000CN	Internal components (6 of 6) on page 289
Cable, sensor, tray 2	RM1-4060-000CN	Tray 2 pickup assembly on page 291
Cam	RC1-4114-000CN	Internal components (2 of 6) on page 281
Cam, contact	RC1-4137-020CN	Internal components (1 of 6) on page 277
Cartridge door assembly	RM1-3722-000CN	Covers on page 275
Clip clamp, wire	WT2-5694-000CN	Internal components (1 of 6) on page 277
Clip, cable	WT2-5812-000CN	Internal components (1 of 6) on page 277

Table 7-11 Alphabetical parts list (continued)

Description	Part number	Table and page
Clip, cable	WT2-5056-000CN	Internal components (1 of 6) on page 277
Connector, drawer	VS1-7257-007CN	Internal components (6 of 6) on page 289
Connector, snap-tight, black	VS1-7177-003CN	Internal components (1 of 6) on page 277
Connector, snap-tight, black	VS1-7177-004CN	Internal components (6 of 6) on page 289
Control panel	CB414-60101	ADF/scanner assembly on page 273
Cover (replaces the stapler door for devices without staplers)	RC2-0727-000CN	Covers on page 275
Cover, ADF	CB414-67902	ADF/scanner assembly on page 273
Cover, face-up-sensor cable	RC2-0739-000CN	Internal components (5 of 6) on page 287
Cover, fax	RC2-0726-000CN	Covers on page 275
Cover, fax internal (fax rail)	RC2-0729-000CN	Covers on page 275
Cover, gear	RC2-0579-000CN	Internal components (2 of 6) on page 281
Cover, I/O	RC2-0612-000CN	Covers on page 275
Cover, left	RM1-3773-000CN	Covers on page 275
Cover, legal	RL1-1366-000CN	Covers on page 275
Cover, main motor	RC1-4108-000CN	Internal components (2 of 6) on page 281
Cover, registration	RC1-3936-020CN	Internal components (3 of 6) on page 283
Cover, right front	RL1-1723-000CN	Covers on page 275
Cover, right lower	RC2-0603-000CN	Covers on page 275
Cover, right-side (DIMM cover)	RC2-0722-000CN	Covers on page 275
Cover, stapler	RM1-3790-000CN	Covers on page 275
Cushion, right lower	RC2-0468-000CN	Internal components (6 of 6) on page 289
Drive release assembly	RM1-1522-000CN	Internal components (2 of 6) on page 281
Duct, cartridge	RC2-0590-000CN	Internal components (2 of 6) on page 281
Duct, scanner	RC1-4128-020CN	Internal components (1 of 6) on page 277
E-ring	XD2-1100-402CN	Internal components (2 of 6) on page 281

Table 7-11 Alphabetical parts list (continued)

Description	Part number	Table and page
ECU, 110-127 V	RM1-3774-000CN	Internal components (5 of 6) on page 287
ECU, 220-240 V	RM1-3775-000CN	Internal components (5 of 6) on page 287
Eliminator, static charge	RC1-4025-000CN	Internal components (3 of 6) on page 283
Fan, left-side	RK2-1499-000CN	Internal components (1 of 6) on page 277
Fan, right-side	RK2-1497-000CN	Internal components (5 of 6) on page 287
Feed assembly, lower	RM1-3759-000CN	Internal components (4 of 6) on page 285
Feed guide assembly	RM1-3760-000CN	Internal components (4 of 6) on page 285
Film, fuser drive side plate	RC2-0649-000CN	Internal components (2 of 6) on page 281
Fixing drive side plate assembly	RM1-3746-000CN	Internal components (2 of 6) on page 281
Flag assembly, face-down	RM1-3743-000CN	Covers on page 275
Flag assembly, full detect	RM1-3742-000CN	Covers on page 275
Foot, rubber	RA0-1003-000CN	Internal components (1 of 6) on page 277
Foot, rubber	RA0-1003-000CN	Internal components (6 of 6) on page 289
Formatter	Q7819-60001	Internal components (1 of 6) on page 277
Fuser, 110-127 V	RM1-3740-000CN	Internal components (5 of 6) on page 287
Fuser, 220-240 V	RM1-3741-000CN	Internal components (5 of 6) on page 287
Gear assembly	RM1-3712-000CN	Internal components (5 of 6) on page 287
Gear, 12T	RU5-0394-000CN	Internal components (2 of 6) on page 281
Gear, 12T	RU5-0400-000CN	Internal components (3 of 6) on page 283
Gear, 14T	RU5-0409-000CN	Internal components (3 of 6) on page 283
Gear, 16T	RU5-0951-000CN	Internal components (2 of 6) on page 281
Gear, 17T	RA0-1172-000CN	Internal components (3 of 6) on page 283
Gear, 17T/17T	RU5-0958-000CN	Internal components (2 of 6) on page 281

Table 7-11 Alphabetical parts list (continued)

Description	Part number	Table and page
Gear, 19T	RU5-0959-000CN	Internal components (2 of 6) on page 281
Gear, 201t	RU5-0950-000CN	Internal components (2 of 6) on page 281
Gear, 20T	RU5-0957-000CN	Internal components (2 of 6) on page 281
Gear, 20T/20T	RU5-0956-000CN	Internal components (2 of 6) on page 281
Gear, 30T	RU5-0366-000CN	Internal components (3 of 6) on page 283
Gear, 31T	RU5-0960-000CN	Internal components (2 of 6) on page 281
Gear, 43T	RU5-0955-000CN	Internal components (2 of 6) on page 281
Gear, 65T	RU5-0962-000CN	Internal components (2 of 6) on page 281
Guide	RC1-4083-000CN	Internal components (5 of 6) on page 287
Guide, air	RC2-0648-000CN	Internal components (2 of 6) on page 281
Guide, cartridge, left lower	RC2-0704-000CN	Internal components (1 of 6) on page 277
Guide, cartridge, left upper	RC2-0703-000CN	Internal components (1 of 6) on page 277
Guide, cartridge, lower-right	RC2-0700-000CN	Internal components (6 of 6) on page 289
Guide, cartridge, upper-right	RC2-0492-000CN	Internal components (6 of 6) on page 289
Guide, cassette, back-right	RC2-0560-000CN	Internal components (6 of 6) on page 289
Guide, cassette, front-right	RC2-0559-000CN	Internal components (6 of 6) on page 289
Guide, cassette, left front	RC2-0565-000CN	Internal components (1 of 6) on page 277
Guide, cassette, left rear	RC2-0566-000CN	Internal components (1 of 6) on page 277
Guide, center plate, left	RC2-0567-000CN	Internal components (1 of 6) on page 277
Guide, center plate, right	RC2-0561-000CN	Internal components (6 of 6) on page 289
Guide, door arm	RC1-4056-000CN	Internal components (1 of 6) on page 277
Guide, duplex inlet	RC1-4096-000CN	Internal components (4 of 6) on page 285

Table 7-11 Alphabetical parts list (continued)

Description	Part number	Table and page
Guide, feed	RC1-3935-000CN	Internal components (3 of 6) on page 283
Hinge, left	RC1-4057-000CN	Covers on page 275
Hinge, right	RC1-4058-000CN	Covers on page 275
Holder	RC1-4009-000CN	Internal components (1 of 6) on page 277
Holder, cable	RC2-0588-000CN	Internal components (5 of 6) on page 287
Holder, interlock	RC2-0595-000CN	Internal components (6 of 6) on page 289
Holder, main fan	RC2-0592-000CN	Internal components (5 of 6) on page 287
Holder, option connector	RC1-0562-000CN	Internal components (6 of 6) on page 289
Holder, sub fan	RC2-0622-000CN	Internal components (1 of 6) on page 277
Holder, switch	RC2-0632-000CN	Internal components (6 of 6) on page 289
Holder, switch link	RC2-0634-000CN	Internal components (6 of 6) on page 289
Holder, tag	RC1-4127-000CN	Internal components (1 of 6) on page 277
Input tray, ADF	CB414-67903	ADF/scanner assembly on page 273
Laser/scanner assembly	RM1-1521-030CN	Internal components (1 of 6) on page 277
Lever	RC1-4060-000CN	Internal components (3 of 6) on page 283
Lever, cartridge clamp	RC2-0706-000CN	Internal components (1 of 6) on page 277
Lever, coupling	RC1-4115-000CN	Internal components (2 of 6) on page 281
Lever, drive release	RC2-0705-000CN	Internal components (1 of 6) on page 277
Lever, drive release	RC1-4116-000CN	Internal components (2 of 6) on page 281
Lever, grounding contact	RC1-4065-000CN	Internal components (1 of 6) on page 277
Lever, grounding contact	RC1-4066-020CN	Internal components (1 of 6) on page 277
Lever, sensor	RC1-4027-000CN	Internal components (3 of 6) on page 283
Lever, sensor	RC1-3939-000CN	Internal components (5 of 6) on page 287

Table 7-11 Alphabetical parts list (continued)

Description	Part number	Table and page
Link, drive release	RC1-4117-000CN	Internal components (2 of 6) on page 281
Link, laser shutter	RC1-4125-000CN	Internal components (1 of 6) on page 277
Link, switch	RC2-0633-000CN	Internal components (6 of 6) on page 289
Microswitch	RK2-0534-000CN	Internal components (6 of 6) on page 289
Motor, dc, 26.2 W	RK2-1488-000CN	Internal components (2 of 6) on page 281
Motor, stepping	RK2-1489-000CN	Internal components (2 of 6) on page 281
Mount, solenoid	RC2-0498-000CN	Internal components (6 of 6) on page 289
Pad, separation	RC1-0939-000CN	Internal components (3 of 6) on page 283
Paper clip tray	RC2-0724-000CN	Covers on page 275
Pendulum assembly	RM1-3748-000CN	Internal components (2 of 6) on page 281
Photo-interrupter	WG8-5624-000CN	Internal components (6 of 6) on page 289
Photo-interrupter, tray 2	WG8-5624-000CN	Tray 2 pickup assembly on page 291
Pick-up roller gear assembly	RM1-3714-000CN	Internal components (5 of 6) on page 287
Pickup roller assembly, tray 2	RM1-3763-000CN	Tray 2 pickup assembly on page 291
Pickup roller, tray 2	RL1-1370-000CN	Tray 2 pickup assembly on page 291
Plate, face-up shield	RC2-0697-000CN	Internal components (6 of 6) on page 289
Plate, fan shield, left	RC2-0623-000CN	Internal components (1 of 6) on page 277
Plate, grounding	RC1-4085-000CN	Internal components (4 of 6) on page 285
Plate, I/O	RC2-0736-000CN	Internal components (1 of 6) on page 277
Plate, protective	RC1-4136-000CN	Internal components (1 of 6) on page 277
Position guide assembly	RM1-1506-000CN	Internal components (4 of 6) on page 285
Power supply	RM1-3758-000CN	Internal components (4 of 6) on page 285

Table 7-11 Alphabetical parts list (continued)

Description	Part number	Table and page
Power switch	RC2-0631-000CN	Internal components (6 of 6) on page 289
Power-supply, stapler	Q7429-69501	Internal components (1 of 6) on page 277
Rear cover assembly	RM1-3724-000CN	Covers on page 275
Registration assembly	RM1-3715-000CN	Internal components (3 of 6) on page 283
Roller assembly, bottom plate	RM1-3727-000CN	Internal components (6 of 6) on page 289
Roller assembly, delivery	RM1-1497-000CN	Internal components (6 of 6) on page 289
Roller assembly, face-down	RM1-3749-000CN	Internal components (6 of 6) on page 289
Roller stay assembly	RM1-1485-000CN	Internal components (5 of 6) on page 287
Roller, face-down	RC1-3994-000CN	Internal components (6 of 6) on page 289
Roller, tray 1 pick-up	RL1-0568-000CN	Internal components (3 of 6) on page 283
Scanner assembly (ADF assembly is <i>not</i> included)	CB414-67905	ADF/scanner assembly on page 273
Screw w/washer, M3x6	XB2-7300-605CN	Internal components (4 of 6) on page 285
Screw w/washer, M3x6	XB2-7300-605CN	Internal components (5 of 6) on page 287
Screw, D, M3x8	XA9-1671-000CN	Internal components (1 of 6) on page 277
Screw, D, M3x8	XA9-1671-000CN	Internal components (2 of 6) on page 281
Screw, D, M3x8	XA9-1671-000CN	Internal components (3 of 6) on page 283
Screw, D, M3x8	XA9-1671-000CN	Internal components (5 of 6) on page 287
Screw, D, M3x8	XA9-1671-000CN	Internal components (6 of 6) on page 289
Screw, RS, M3x8	XA9-1500-000CN	Internal components (2 of 6) on page 281
Screw, tapping, M3x6	XA9-1503-000CN	Internal components (5 of 6) on page 287
Screw, tapping, truss head, M4x10	XB4-7401-005CN	Internal components (3 of 6) on page 283
Screw, tapping, truss head, M4x10	XB4-7401-005CN	Internal components (4 of 6) on page 285

Table 7-11 Alphabetical parts list (continued)

Description	Part number	Table and page
Screw, tapping, truss head, M4x10	XB4-7401-005CN	Internal components (5 of 6) on page 287
Screw, tapping, truss head, M4x10	XB4-7401-005CN	Internal components (6 of 6) on page 289
Sensor flag assembly, tray 2	RM1-3769-000CN	Tray 2 pickup assembly on page 291
Sensor PCA, multipurpose	RM1-4041-000CN	Internal components (5 of 6) on page 287
Sensor PCA, top-of-page	RM1-4040-000CN	Internal components (4 of 6) on page 285
Sensor PCA, width	RM1-4042-000CN	Internal components (4 of 6) on page 285
Sheet, static charge	RC1-4069-000CN	Internal components (3 of 6) on page 283
Sheet, static charge	RC1-4070-000CN	Internal components (3 of 6) on page 283
Solenoid	RK2-1492-000CN	Internal components (6 of 6) on page 289
Solenoid, tray 1	RK2-1490-000CN	Internal components (5 of 6) on page 287
Spring compression	RC2-0483-000CN	Internal components (3 of 6) on page 283
Spring, compression	RU5-2404-000CN	Internal components (1 of 6) on page 277
Spring, compression	RU5-2405-000CN	Internal components (1 of 6) on page 277
Spring, compression	RC1-4140-000CN	Internal components (1 of 6) on page 277
Spring, compression	RU5-2401-000CN	Internal components (2 of 6) on page 281
Spring, compression	RU5-2920-000CN	Internal components (2 of 6) on page 281
Spring, compression	RU5-2408-000CN	Internal components (3 of 6) on page 283
Spring, compression	RU5-2385-000CN	Internal components (3 of 6) on page 283
Spring, leaf	RC1-4067-000CN	Internal components (1 of 6) on page 277
Spring, tension	RU5-2388-000CN	Covers on page 275
Spring, tension	RU5-2407-000CN	Internal components (1 of 6) on page 277
Spring, tension	RU5-2403-000CN	Internal components (1 of 6) on page 277

Table 7-11 Alphabetical parts list (continued)

Description	Part number	Table and page
Spring, torsion	RU5-2410-020CN	Internal components (1 of 6) on page 277
Spring, torsion	RC1-4028-000CN	Internal components (3 of 6) on page 283
Spring, torsion	RC1-4059-000CN	Internal components (3 of 6) on page 283
Spring, torsion	RC1-4061-000CN	Internal components (3 of 6) on page 283
Spring, torsion	RC2-0576-000CN	Internal components (3 of 6) on page 283
Spring, torsion	RU5-2386-000CN	Internal components (5 of 6) on page 287
Spring, torsion	RC2-0665-000CN	Internal components (6 of 6) on page 289
Stapler	CB414-60147	Internal components (1 of 6) on page 277
Stapler door (for devices with staplers)	CB414-40064	Covers on page 275
Static wire, right-side fan	RC2-0593-000CN	Internal components (5 of 6) on page 287
Stay, tag holder	RC1-4126-000CN	Internal components (1 of 6) on page 277
Stopper, cartridge, left	RC2-0707-000CN	Internal components (1 of 6) on page 277
Stopper, cartridge, right	RC2-0702-000CN	Internal components (6 of 6) on page 289
Stopper, feed guide, left	RC2-0585-000CN	Internal components (1 of 6) on page 277
Stopper, fuser	RC2-0657-000CN	Internal components (2 of 6) on page 281
Stopper, gear	RC1-4189-000CN	Internal components (3 of 6) on page 283
Top cover assembly	RM1-3772-000CN	Covers on page 275
Transfer guide assembly, lower	RM1-3757-000CN	Internal components (3 of 6) on page 283
Transfer roller assembly	RM1-1508-000CN	Internal components (3 of 6) on page 283
Tray, staple	RC2-0725-000CN	Internal components (1 of 6) on page 277
Tray 1 assembly	RM1-1490-000CN	Covers on page 275
Tray 1 cover assembly	RM1-3723-000CN	Covers on page 275
Tray 1 pickup roller assembly	RM1-3716-000CN	Internal components (3 of 6) on page 283

Table 7-11 Alphabetical parts list (continued)

Description	Part number	Table and page
Tray 2 pickup assembly	RM1-3762-000CN	Tray 2 pickup assembly on page 291
Tray 2 pickup assembly (also see Tray 2 pickup assembly on page 290)	RM1-3762-000CN	Internal components (5 of 6) on page 287
Washer	RC2-0652-000CN	Internal components (2 of 6) on page 281

Numerical parts list

Table 7-12 Numerical parts list

Part number	Description	Table and page
CB414-40064	Stapler door (for devices with staplers)	Covers on page 275
CB414-60101	Control panel	ADF/scanner assembly on page 273
CB414-60147	Stapler	Internal components (1 of 6) on page 277
CB414-67902	Cover, ADF	ADF/scanner assembly on page 273
CB414-67903	Input tray, ADF	ADF/scanner assembly on page 273
CB414-67905	Scanner assembly (ADF assembly is <i>not</i> included)	ADF/scanner assembly on page 273
CB414-67916	ADF assembly	ADF/scanner assembly on page 273
Q7429-69501	Power-supply, stapler	Internal components (1 of 6) on page 277
Q7819-60001	Formatter	Internal components (1 of 6) on page 277
RA0-1003-000CN	Foot, rubber	Internal components (1 of 6) on page 277
RA0-1003-000CN	Foot, rubber	Internal components (6 of 6) on page 289
RA0-1172-000CN	Gear, 17T	Internal components (3 of 6) on page 283
RC1-0562-000CN	Holder, option connector	Internal components (6 of 6) on page 289
RC1-0922-000CN	Bushing, transfer, right	Internal components (3 of 6) on page 283
RC1-0939-000CN	Pad, separation	Internal components (3 of 6) on page 283
RC1-3665-000CN	Bushing	Internal components (6 of 6) on page 289
RC1-3935-000CN	Guide, feed	Internal components (3 of 6) on page 283
RC1-3936-020CN	Cover, registration	Internal components (3 of 6) on page 283
RC1-3937-000CN	Arm, pad	Internal components (3 of 6) on page 283
RC1-3939-000CN	Lever, sensor	Internal components (5 of 6) on page 287
RC1-3994-000CN	Roller, face-down	Internal components (6 of 6) on page 289

Table 7-12 Numerical parts list (continued)

Part number	Description	Table and page
RC1-4009-000CN	Holder	Internal components (1 of 6) on page 277
RC1-4025-000CN	Eliminator, static charge	Internal components (3 of 6) on page 283
RC1-4027-000CN	Lever, sensor	Internal components (3 of 6) on page 283
RC1-4028-000CN	Spring, torsion	Internal components (3 of 6) on page 283
RC1-4055-000CN	Arm, door	Internal components (1 of 6) on page 277
RC1-4056-000CN	Guide, door arm	Internal components (1 of 6) on page 277
RC1-4057-000CN	Hinge, left	Covers on page 275
RC1-4058-000CN	Hinge, right	Covers on page 275
RC1-4059-000CN	Spring, torsion	Internal components (3 of 6) on page 283
RC1-4060-000CN	Lever	Internal components (3 of 6) on page 283
RC1-4061-000CN	Spring, torsion	Internal components (3 of 6) on page 283
RC1-4065-000CN	Lever, grounding contact	Internal components (1 of 6) on page 277
RC1-4066-020CN	Lever, grounding contact	Internal components (1 of 6) on page 277
RC1-4067-000CN	Spring, leaf	Internal components (1 of 6) on page 277
RC1-4069-000CN	Sheet, static charge	Internal components (3 of 6) on page 283
RC1-4070-000CN	Sheet, static charge	Internal components (3 of 6) on page 283
RC1-4083-000CN	Guide	Internal components (5 of 6) on page 287
RC1-4085-000CN	Plate, grounding	Internal components (4 of 6) on page 285
RC1-4096-000CN	Guide, duplex inlet	Internal components (4 of 6) on page 285
RC1-4108-000CN	Cover, main motor	Internal components (2 of 6) on page 281
RC1-4114-000CN	Cam	Internal components (2 of 6) on page 281
RC1-4115-000CN	Lever, coupling	Internal components (2 of 6) on page 281
RC1-4116-000CN	Lever, drive release	Internal components (2 of 6) on page 281

Table 7-12 Numerical parts list (continued)

Part number	Description	Table and page
RC1-4117-000CN	Link, drive release	Internal components (2 of 6) on page 281
RC1-4125-000CN	Link, laser shutter	Internal components (1 of 6) on page 277
RC1-4126-000CN	Stay, tag holder	Internal components (1 of 6) on page 277
RC1-4127-000CN	Holder, tag	Internal components (1 of 6) on page 277
RC1-4128-020CN	Duct, scanner	Internal components (1 of 6) on page 277
RC1-4136-000CN	Plate, protective	Internal components (1 of 6) on page 277
RC1-4137-020CN	Cam, contact	Internal components (1 of 6) on page 277
RC1-4140-000CN	Spring, compression	Internal components (1 of 6) on page 277
RC1-4189-000CN	Stopper, gear	Internal components (3 of 6) on page 283
RC2-0468-000CN	Cushion, right lower	Internal components (6 of 6) on page 289
RC2-0483-000CN	Spring compression	Internal components (3 of 6) on page 283
RC2-0492-000CN	Guide, cartridge, upper-right	Internal components (6 of 6) on page 289
RC2-0498-000CN	Mount, solenoid	Internal components (6 of 6) on page 289
RC2-0559-000CN	Guide, cassette, front-right	Internal components (6 of 6) on page 289
RC2-0560-000CN	Guide, cassette, back-right	Internal components (6 of 6) on page 289
RC2-0561-000CN	Guide, center plate, right	Internal components (6 of 6) on page 289
RC2-0565-000CN	Guide, cassette, left front	Internal components (1 of 6) on page 277
RC2-0566-000CN	Guide, cassette, left rear	Internal components (1 of 6) on page 277
RC2-0567-000CN	Guide, center plate, left	Internal components (1 of 6) on page 277
RC2-0575-000CN	Arm, width-sensor	Internal components (3 of 6) on page 283
RC2-0576-000CN	Spring, torsion	Internal components (3 of 6) on page 283
RC2-0579-000CN	Cover, gear	Internal components (2 of 6) on page 281

Table 7-12 Numerical parts list (continued)

Part number	Description	Table and page
RC2-0585-000CN	Stopper, feed guide, left	Internal components (1 of 6) on page 277
RC2-0588-000CN	Holder, cable	Internal components (5 of 6) on page 287
RC2-0590-000CN	Duct, cartridge	Internal components (2 of 6) on page 281
RC2-0592-000CN	Holder, main fan	Internal components (5 of 6) on page 287
RC2-0593-000CN	Static wire, right-side fan	Internal components (5 of 6) on page 287
RC2-0595-000CN	Holder, interlock	Internal components (6 of 6) on page 289
RC2-0603-000CN	Cover, right lower	Covers on page 275
RC2-0612-000CN	Cover, I/O	Covers on page 275
RC2-0622-000CN	Holder, sub fan	Internal components (1 of 6) on page 277
RC2-0623-000CN	Plate, fan shield, left	Internal components (1 of 6) on page 277
RC2-0631-000CN	Power switch	Internal components (6 of 6) on page 289
RC2-0632-000CN	Holder, switch	Internal components (6 of 6) on page 289
RC2-0633-000CN	Link, switch	Internal components (6 of 6) on page 289
RC2-0634-000CN	Holder, switch link	Internal components (6 of 6) on page 289
RC2-0648-000CN	Guide, air	Internal components (2 of 6) on page 281
RC2-0649-000CN	Film, fuser drive side plate	Internal components (2 of 6) on page 281
RC2-0652-000CN	Washer	Internal components (2 of 6) on page 281
RC2-0657-000CN	Stopper, fuser	Internal components (2 of 6) on page 281
RC2-0665-000CN	Spring, torsion	Internal components (6 of 6) on page 289
RC2-0697-000CN	Plate, face-up shield	Internal components (6 of 6) on page 289
RC2-0700-000CN	Guide, cartridge, lower-right	Internal components (6 of 6) on page 289
RC2-0701-000CN	Bushing, inner	Internal components (2 of 6) on page 281
RC2-0702-000CN	Stopper, cartridge, right	Internal components (6 of 6) on page 289

Table 7-12 Numerical parts list (continued)

Part number	Description	Table and page
RC2-0703-000CN	Guide, cartridge, left upper	Internal components (1 of 6) on page 277
RC2-0704-000CN	Guide, cartridge, left lower	Internal components (1 of 6) on page 277
RC2-0705-000CN	Lever, drive release	Internal components (1 of 6) on page 277
RC2-0706-000CN	Lever, cartridge clamp	Internal components (1 of 6) on page 277
RC2-0707-000CN	Stopper, cartridge, left	Internal components (1 of 6) on page 277
RC2-0722-000CN	Cover, right-side (DIMM cover)	Covers on page 275
RC2-0724-000CN	Paper clip tray	Covers on page 275
RC2-0725-000CN	Tray, staple	Internal components (1 of 6) on page 277
RC2-0726-000CN	Cover, fax	Covers on page 275
RC2-0727-000CN	Cover (replaces the stapler door for devices without staplers)	Covers on page 275
RC2-0729-000CN	Cover, fax internal (fax rail)	Covers on page 275
RC2-0736-000CN	Plate, I/O	Internal components (1 of 6) on page 277
RC2-0739-000CN	Cover, face-up-sensor cable	Internal components (5 of 6) on page 287
RK2-0534-000CN	Microswitch	Internal components (6 of 6) on page 289
RK2-1488-000CN	Motor, dc, 26.2 W	Internal components (2 of 6) on page 281
RK2-1489-000CN	Motor, stepping	Internal components (2 of 6) on page 281
RK2-1490-000CN	Solenoid, tray 1	Internal components (5 of 6) on page 287
RK2-1492-000CN	Solenoid	Internal components (6 of 6) on page 289
RK2-1497-000CN	Fan, right-side	Internal components (5 of 6) on page 287
RK2-1499-000CN	Fan, left-side	Internal components (1 of 6) on page 277
RL1-0568-000CN	Roller, tray 1 pick-up	Internal components (3 of 6) on page 283
RL1-1366-000CN	Cover, legal	Covers on page 275
RL1-1370-000CN	Pickup roller, tray 2	Tray 2 pickup assembly on page 291
RL1-1723-000CN	Cover, right front	Covers on page 275

Table 7-12 Numerical parts list (continued)

Part number	Description	Table and page
RM1-1485-000CN	Roller stay assembly	Internal components (5 of 6) on page 287
RM1-1490-000CN	Tray 1 assembly	Covers on page 275
RM1-1497-000CN	Roller assembly, delivery	Internal components (6 of 6) on page 289
RM1-1506-000CN	Position guide assembly	Internal components (4 of 6) on page 285
RM1-1508-000CN	Transfer roller assembly	Internal components (3 of 6) on page 283
RM1-1521-030CN	Laser/scanner assembly	Internal components (1 of 6) on page 277
RM1-1522-000CN	Drive release assembly	Internal components (2 of 6) on page 281
RM1-3712-000CN	Gear assembly	Internal components (5 of 6) on page 287
RM1-3714-000CN	Pick-up roller gear assembly	Internal components (5 of 6) on page 287
RM1-3715-000CN	Registration assembly	Internal components (3 of 6) on page 283
RM1-3716-000CN	Tray 1 pickup roller assembly	Internal components (3 of 6) on page 283
RM1-3722-000CN	Cartridge door assembly	Covers on page 275
RM1-3723-000CN	Tray 1 cover assembly	Covers on page 275
RM1-3724-000CN	Rear cover assembly	Covers on page 275
RM1-3727-000CN	Roller assembly, bottom plate	Internal components (6 of 6) on page 289
RM1-3740-000CN	Fuser, 110-127 V	Internal components (5 of 6) on page 287
RM1-3741-000CN	Fuser, 220-240 V	Internal components (5 of 6) on page 287
RM1-3742-000CN	Flag assembly, full detect	Covers on page 275
RM1-3743-000CN	Flag assembly, face-down	Covers on page 275
RM1-3746-000CN	Fixing drive side plate assembly	Internal components (2 of 6) on page 281
RM1-3748-000CN	Pendulum assembly	Internal components (2 of 6) on page 281
RM1-3749-000CN	Roller assembly, face-down	Internal components (6 of 6) on page 289
RM1-3757-000CN	Transfer guide assembly, lower	Internal components (3 of 6) on page 283
RM1-3758-000CN	Power supply	Internal components (4 of 6) on page 285

Table 7-12 Numerical parts list (continued)

Part number	Description	Table and page
RM1-3759-000CN	Feed assembly, lower	Internal components (4 of 6) on page 285
RM1-3760-000CN	Feed guide assembly	Internal components (4 of 6) on page 285
RM1-3762-000CN	Tray 2 pickup assembly (also see Tray 2 pickup assembly on page 290)	Internal components (5 of 6) on page 287
RM1-3762-000CN	Tray 2 pickup assembly	Tray 2 pickup assembly on page 291
RM1-3763-000CN	Pickup roller assembly, tray 2	Tray 2 pickup assembly on page 291
RM1-3769-000CN	Sensor flag assembly, tray 2	Tray 2 pickup assembly on page 291
RM1-3772-000CN	Top cover assembly	Covers on page 275
RM1-3773-000CN	Cover, left	Covers on page 275
RM1-3774-000CN	ECU, 110-127 V	Internal components (5 of 6) on page 287
RM1-3775-000CN	ECU, 220-240 V	Internal components (5 of 6) on page 287
RM1-3790-000CN	Cover, stapler	Covers on page 275
RM1-4040-000CN	Sensor PCA, top-of-page	Internal components (4 of 6) on page 285
RM1-4041-000CN	Sensor PCA, multipurpose	Internal components (5 of 6) on page 287
RM1-4042-000CN	Sensor PCA, width	Internal components (4 of 6) on page 285
RM1-4053-000CN	Cable assembly	Internal components (1 of 6) on page 277
RM1-4054-000CN	Cable, memory tag	Internal components (1 of 6) on page 277
RM1-4057-000CN	Cable, delivery sensor	Internal components (3 of 6) on page 283
RM1-4060-000CN	Cable, sensor, tray 2	Tray 2 pickup assembly on page 291
RM1-4062-000CN	Cable, option interface	Internal components (6 of 6) on page 289
RU5-0366-000CN	Gear, 30T	Internal components (3 of 6) on page 283
RU5-0394-000CN	Gear, 12T	Internal components (2 of 6) on page 281
RU5-0400-000CN	Gear, 12T	Internal components (3 of 6) on page 283
RU5-0409-000CN	Gear, 14T	Internal components (3 of 6) on page 283

Table 7-12 Numerical parts list (continued)

Part number	Description	Table and page
RU5-0950-000CN	Gear, 201t	Internal components (2 of 6) on page 281
RU5-0951-000CN	Gear, 16T	Internal components (2 of 6) on page 281
RU5-0955-000CN	Gear, 43T	Internal components (2 of 6) on page 281
RU5-0956-000CN	Gear, 20T/20T	Internal components (2 of 6) on page 281
RU5-0957-000CN	Gear, 20T	Internal components (2 of 6) on page 281
RU5-0958-000CN	Gear, 17T/17T	Internal components (2 of 6) on page 281
RU5-0959-000CN	Gear, 19T	Internal components (2 of 6) on page 281
RU5-0960-000CN	Gear, 31T	Internal components (2 of 6) on page 281
RU5-0962-000CN	Gear, 65T	Internal components (2 of 6) on page 281
RU5-2385-000CN	Spring, compression	Internal components (3 of 6) on page 283
RU5-2386-000CN	Spring, torsion	Internal components (5 of 6) on page 287
RU5-2388-000CN	Spring, tension	Covers on page 275
RU5-2401-000CN	Spring, compression	Internal components (2 of 6) on page 281
RU5-2403-000CN	Spring, tension	Internal components (1 of 6) on page 277
RU5-2404-000CN	Spring, compression	Internal components (1 of 6) on page 277
RU5-2405-000CN	Spring, compression	Internal components (1 of 6) on page 277
RU5-2407-000CN	Spring, tension	Internal components (1 of 6) on page 277
RU5-2408-000CN	Spring, compression	Internal components (3 of 6) on page 283
RU5-2410-020CN	Spring, torsion	Internal components (1 of 6) on page 277
RU5-2920-000CN	Spring, compression	Internal components (2 of 6) on page 281
VS1-7177-003CN	Connector, snap-tight, black	Internal components (1 of 6) on page 277
VS1-7177-004CN	Connector, snap-tight, black	Internal components (6 of 6) on page 289

Table 7-12 Numerical parts list (continued)

Part number	Description	Table and page
VS1-7257-007CN	Connector, drawer	Internal components (6 of 6) on page 289
WG8-5624-000CN	Photo-interrupter	Internal components (6 of 6) on page 289
WG8-5624-000CN	Photo-interrupter, tray 2	Tray 2 pickup assembly on page 291
WT2-5056-000CN	Clip, cable	Internal components (1 of 6) on page 277
WT2-5056-000CN	Cable guide	Internal components (6 of 6) on page 289
WT2-5678-000CN	Cable guide	Internal components (5 of 6) on page 287
WT2-5678-000CN	Cable guide	Internal components (6 of 6) on page 289
WT2-5694-000CN	Clip clamp, wire	Internal components (1 of 6) on page 277
WT2-5694-000CN	Cable guide	Internal components (5 of 6) on page 287
WT2-5812-000CN	Clip, cable	Internal components (1 of 6) on page 277
XA9-1500-000CN	Screw, RS, M3x8	Internal components (2 of 6) on page 281
XA9-1503-000CN	Screw, tapping, M3x6	Internal components (5 of 6) on page 287
XA9-1671-000CN	Screw, D, M3x8	Internal components (1 of 6) on page 277
XA9-1671-000CN	Screw, D, M3x8	Internal components (2 of 6) on page 281
XA9-1671-000CN	Screw, D, M3x8	Internal components (3 of 6) on page 283
XA9-1671-000CN	Screw, D, M3x8	Internal components (5 of 6) on page 287
XA9-1671-000CN	Screw, D, M3x8	Internal components (6 of 6) on page 289
XB2-7300-605CN	Screw w/washer, M3x6	Internal components (4 of 6) on page 285
XB2-7300-605CN	Screw w/washer, M3x6	Internal components (5 of 6) on page 287
XB4-7401-005CN	Screw, tapping, truss head, M4x10	Internal components (3 of 6) on page 283
XB4-7401-005CN	Screw, tapping, truss head, M4x10	Internal components (4 of 6) on page 285
XB4-7401-005CN	Screw, tapping, truss head, M4x10	Internal components (5 of 6) on page 287

Table 7-12 Numerical parts list (continued)

Part number	Description	Table and page
XB4-7401-005CN	Screw, tapping, truss head, M4x10	Internal components (6 of 6) on page 289
XD2-1100-402CN	E-ring	Internal components (2 of 6) on page 281

