
7 Parts

- [Accessories and ordering information](#)
- [Supplies](#)
- [Memory](#)
- [Cable and interface accessories](#)
- [Paper-handling accessories](#)
- [Whole unit replacement](#)
- [Scanner/ADF replacement parts](#)
- [Control-panel bezels](#)
- [Supplementary documentation and support](#)
- [Problem-solve diagrams](#)
- [Parts lists and diagrams](#)
- [Scanner and ADF assemblies](#)
- [Scanner components](#)
- [ADF components](#)
- [Convenience stapler components \(HP LaserJet M2727nfs only\)](#)
- [Formatter, fax card, HP jewel, and nameplate](#)
- [External covers and panels](#)
- [Cartridge door assembly](#)
- [Internal components \(1 of 4\)](#)
- [Internal components \(2 of 4\)](#)
- [Internal components \(3 of 4\)](#)
- [Internal components \(4 of 4\)](#)
- [Engine-controller assembly \(ECU\)](#)
- [Main-drive assembly](#)
- [Duplexing-drive assembly](#)

- [Tray 2 cassette and tray 3 cassette/feeder](#)
- [Duplexing assembly](#)
- [Fuser assembly](#)
- [Alphabetical parts list](#)
- [Numerical parts list](#)

Accessories and ordering information

Order replacement parts from the following Web sites:

- HP Parts Store: www.partsdirect.hp.com or www2.hp.com/hpparts/default.asp

Order supplies from the following Web sites:

- To order supplies in the U.S., go to www.hp.com/sbso/product/supplies.
- To order supplies worldwide, go to www.hp.com/ghp/buyonline.html.
- To order supplies in Canada, go to www.hp.ca/catalog/supplies.
- To order supplies in Europe, go to www.hp.com/go/ljsupplies.
- To order supplies in Asia-Pacific, go to www.hp.com/paper/.
- To order accessories, go to www.hp.com/go/accessories.

Supplies

Item	Description	Part number
Black print cartridge	Average yield for the standard print cartridge is approximately 3,500 pages. Average yield for the extended print cartridge is approximately 7,000 pages. Actual yield depends on use.	Standard: Q7553A (standard; new)
		Q7553–67901 (standard; exchange)
		Extended life: Q7553X (extended life; new)
		Q7553–67902 (extended life; exchange)
Staple cassette (2 pack)	1,500-staple capacity each	Q7432A (retail)
		Q7432–67001 (service)

Memory

Item	Description	Part number
Memory upgrades (DIMMs)	The standard 64 MB of memory in the product can be expanded to up to 320 MB upgrading the DIMM.	CB421A
	64 MB	
Memory upgrades (DIMMs)	128 MB	CB422A
Memory upgrades (DIMMs)	256 MB	CB423A

Cable and interface accessories

Item	Description	Part number
USB cable	2-meter (6.56 feet) standard USB-compatible device connector	C6518A
	3-meter (9.84 feet) standard USB-compatible device connector	C6520A
HP Wireless Printing Upgrade Kit	Printing adapter for wireless point-to-point printing	Q6259A
Fax cord	Two-wire phone cord adapter	8121–0811
Fax dongle	Two-wire to four-wire adapter (US)	Q3093–80004
Power cord	1.8 meter (6 feet) US/Canada	8120-8382
Power cord	1.8 meter (6 feet) Europe	8121-0516
Power cord	1.8 meter (6 feet) Switzerland	8121-0519
Power cord	1.8 meter (6 feet) United Kingdom	8121-0517
Power cord	1.8 meter (6 feet) Danish	8121-0518

Item	Description	Part number
Power cord	1.8 meter (6 feet) South America	8121-0520
Power cord	1.8 meter (6 feet) Israel	8121-1004

Paper-handling accessories

Item	Description	Part number
Optional tray 3 cassette/feeder	250-sheet input tray/feeder for standard sizes. Only one optional 250-sheet tray can be installed.	Q7556A (new)
		Q7556-67901 (service)
Tray 2 cassette	250-sheet input tray for standard sizes	RM1-4251-000CN
Staple cassette (2 pack)	1,500-staple capacity each	Q7432A (retail)
		Q7432-67001 (service)

Whole unit replacement

Use the tables in this section to find the whole unit replacement part number for a specific product bundle and localized configuration.

Table 7-1 Whole unit replacement, product bundle CB532A

Country/region	Localized configuration	Replacement part number
Asia Pacific	AB0 - Taiwan-Traditional Chinese	CB532-67906
	AB1 - Korea-Korean localization	CB532-67907
	AB2 - China-Simplified Chinese	CB532-67908
	AB3 - Thailand-Thai	CB532-67909
	AB4 - Singapore-English	CB532-67910
	BFV - Hong Kong SAR-English/Traditional Chinese	CB532-67911
	ABG - Australia-English	CB532-67912
	A2K - Philippines-English	CB532-67913
	ACJ - India-English	CB532-67914
	AK3 - Indonesia - Indonesia localizaton	CB532-67915
	AR7 - New Zealand-English	CB532-67916
	UUD - Vietnam-Vietnamese localization	CB532-67917
	ARR - Asia Pacific (Euro Cord)-English	CB532-67918
	ARS - Asia Pacific (UK Cord)-English	CB532-67919

Table 7-1 Whole unit replacement, product bundle CB532A (continued)

Country/region	Localized configuration	Replacement part number
Europe, Middle East, and Africa	ABD - Germany-German	CB532-67921
	ABF - France-French	CB532-67922
	ABH - Netherlands-Dutch	CB532-67923
	ABZ - Italy-Italian	CB532-67924
	ABE - Spain - Spanish localization	CB532-67925
	BFY - Spain-Catalan localization	CB532-67926
	ABU - United Kingdom-English	CB532-67927
	B14 - Belgium-Dutch/French	CB532-67928
	AR8 - Switzerland-French/German	CB532-67929
	BB1 - Norway/Finland/Sweden-NO/FI/SV localization	CB532-67930
	ABY - Denmark-Danish	CB532-67931
	ACB - Russia-Cyrillic	CB532-67932
	BCM - Czech Rep/Slovakia - Czech/Slovak localization	CB532-67933
	AKC - Hungary - Hungarian localization	CB532-67934
	AKD - Poland - Polish localization	CB532-67935
	AB9 - Portugal - Portuguese localization	CB532-67936
	ACQ - South Africa-English	CB532-67937
	BCP - Greece/Israel - Greek/Hebrew localization	CB532-67938
	BFQ - Mid East 220V-AR/FR/EN localization	CB532-67939
	BFR - Estonia/Lithuania/Latvia-ET/LT/LV	CB532-67940
	BFS - Slovenia/Croatia/Serbia-SL/HR/SR	CB532-67941
	BFZ - Kazakhstan/Ukraine-Kazakh/Ukrainian localization	CB532-67942
	AB8 - Turkey - Turkish localization	CB532-67943
BG1 - Romania/Bulgaria-Romanian/Bulgarian localization	CB532-67944	
Latin America	AC8 - Argentina-Spanish	CB532-67945
	ABM - Latin Amer - (120v) Spanish localization	CB532-67946
	AC4 - Brazil-Portuguese	CB532-67947
	AKV - South America-Spanish	CB532-67948
North America	ABA - U. S.-English	CB532-67949
	A2L - Canada-FR/EN	CB532-67951

Table 7-2 Whole unit replacement, product bundle CB533A

Country/region	Localized configuration	Replacement part number
Asia Pacific	AB0 - Taiwan-Traditional Chinese	CB533-67901
	AB1 - Korea-Korean localization	CB533-67902
	AB2 - China-Simplified Chinese	CB533-67903
	AB3 - Thailand-Thai	CB533-67904
	AB4 - Singapore-English	CB533-67905
	BFV - Hong Kong SAR-English/Traditional Chinese	CB533-67906
	ABG - Australia-English	CB533-67907
	A2K - Philippines-English	CB533-67908
	ACJ - India-English	CB533-67909
	AK3 - Indonesia - Indonesia localizaton	CB533-67910
	AR7 - New Zealand-English	CB533-67911
	UUD - Vietnam-Vietnamese localization	CB533-67912
	ARR - Asia Pacific (Euro Cord)-English	CB533-67913
	ARS - Asia Pacific (UK Cord)-English	CB533-67914

Table 7-2 Whole unit replacement, product bundle CB533A (continued)

Country/region	Localized configuration	Replacement part number
Europe, Middle East, and Africa	ABD - Germany-German	CB533-67916
	ABF - France-French	CB533-67917
	ABH - Netherlands-Dutch	CB533-67918
	ABZ - Italy-Italian	CB533-67919
	ABE - Spain - Spanish localization	CB533-67920
	BFY - Spain-Catalan localization	CB533-67921
	ABU - United Kingdom-English	CB533-67922
	B14 - Belgium-Dutch/French	CB533-67923
	AR8 - Switzerland-French/German	CB533-67924
	BB1 - Norway/Finland/Sweden-NO/FI/SV localization	CB533-67925
	ABY - Denmark-Danish	CB533-67926
	ACB - Russia-Cyrillic	CB533-67927
	BCM - Czech Rep/Slovakia - Czech/Slovak localization	CB533-67928
	AKC - Hungary - Hungarian localization	CB533-67929
	AKD - Poland - Polish localization	CB533-67930
	AB9 - Portugal - Portuguese localization	CB533-67931
	ACQ - South Africa-English	CB533-67932
	BCP - Greece/Israel - Greek/Hebrew localization	CB533-67933
	BFQ - Mid East 220V-AR/FR/EN localization	CB533-67934
	BFR - Estonia/Lithuania/Latvia-ET/LT/LV	CB533-67935
	BFS - Slovenia/Croatia/Serbia-SL/HR/SR	CB533-67936
	BFZ - Kazakhstan/Ukraine-Kazakh/Ukrainian localization	CB533-67937
	AB8 - Turkey - Turkish localization	CB533-67938
BG1 - Romania/Bulgaria-Romanian/Bulgarian localization	CB533-67939	
Latin America	AC8 - Argentina-Spanish	CB533-67940
	ABM - Latin Amer - (120v) Spanish localization	CB533-67941
	AC4 - Brazil-Portuguese	CB533-67942
	AKV - South America-Spanish	CB533-67943
North America	ABA - U. S.-English	CB533-67944
	A2L - Canada-FR/EN	CB533-67946

Scanner/ADF replacement parts

Item	Part number
PKG FGI ASSY HP LaserJet M2727 SSA (scanner assembly)	CB532-67905
PKG FGI ASSY HP LaserJet M2727 ADF (ADF assembly)	CB532-67903
HP LaserJet M2727 ADF cover replacement kit	Q6500-67901
ADF flag replacement kit	Q3948-67902
HP LaserJet M2727 input tray assembly	Q6500-60119
Clean out ADF	C7309-40153
ADF pick roller assembly	5851-2559
ADF separation pad	Q2665-60125
ADF assembly hinge replacement kit	Q3948-67905
HP LaserJet M2727 ADF window replacement kit	Q6500-67904

Control-panel bezels

Table 7-3 Control-panel bezels

Item	Language	Part number
Control-panel bezel	English (EN)	CB532-40009
Control-panel bezel	French (FR)	CB532-40013
Control-panel bezel	German (DE)	CB532-40012
Control-panel bezel	German (unpainted) (DE)	CB532-40036
Control-panel bezel	Italian (IT)	CB532-40015
Control-panel bezel	Spanish (ES)	CB532-40010
Control-panel bezel	Danish (DA)	CB532-40019
Control-panel bezel	Dutch (NL)	CB532-40014
Control-panel bezel	Finnish (FI)	CB532-40018
Control-panel bezel	Norwegian (NO)	CB532-40017
Control-panel bezel	Portuguese (PT)	CB532-40011
Control-panel bezel	Swedish (SV)	CB532-40016
Control-panel bezel	Czech (CS)	CB532-40021
Control-panel bezel	Hungarian (HU)	CB532-40022
Control-panel bezel	Polish (PL)	CB532-40023
Control-panel bezel	Russian (RU)	CB532-40020
Control-panel bezel	Slovak (SK)	CB532-40024
Control-panel bezel	Turkish (TR)	CB532-40025
Control-panel bezel	Arabic (AR)	CB532-40028
Control-panel bezel	Greek (EL)	CB532-40026
Control-panel bezel	Hebrew (HE)	CB532-40027
Control-panel bezel	Korean (KO)	CB532-40030
Control-panel bezel	Simplified Chinese (ZHCN)	CB532-40031
Control-panel bezel	Traditional Chinese (ZHTW)	CB532-40029
Control-panel bezel	Thai (TH)	CB532-40032
Control-panel bezel	Vietnamese (VI)	CB532-40033
Control-panel bezel	Catalan (CA)	CB532-40037
Control-panel bezel	Romanian (RO)	CB532-40038
Control-panel bezel	Croatian (HR)	CB532-40039
Control-panel bezel	Slovenian (SL)	CB532-40040
Control-panel bezel	Indonesian (ID)	CB532-40041
Control-panel bezel	Kazakh (KK)	CB532-40042

Table 7-3 Control-panel bezels (continued)

Item	Language	Part number
Control-panel bezel	Bulgarian (BG)	CB532-40043
Control-panel bezel	Ukrainian (UK)	CB532-40044
Control-panel bezel	Serbian (SR)	CB532-40045
Control-panel bezel	Lithuanian (LT)	CB532-40046
Control-panel bezel	Estonia (ET)	CB532-400473
Control-panel bezel	Latvian (LV)	CB532-40048

Supplementary documentation and support

Table 7-4 Service and training support

Item	Part number
Service manual (this manual)	CB532-90946

A printed copy of the user guide is available in the following languages.

Table 7-5 User guides

Language	Part number
English	CB532-90901
Chinese, simplified	CB532-90908
Czech	CB532-90910
Dutch	CB532-90912
French	CB532-90902
German	CB532-90903
Hungarian	CB532-90916
Italian	CB532-90904
Korean	CB532-90919
Polish	CB532-90923
Portuguese, Brazil	CB532-90924
Russian	CB532-90926
Spanish, Mid Atlantic	CB532-90905
Swedish	CB532-90930
Thai	CB532-90931
Traditional Chinese	CB532-90932
Turkish	CB532-90933
Catalan	CB532-90906
Bulgarian	CB532-90907
Croatian	CB532-90909
Danish	CB532-90911
Estonian	CB532-90913
Finnish	CB532-90914
Greek	CB532-90915
Bahasa Indonesian	CB532-90917
Kazakh	CB532-90918
Latvian	CB532-90920

Table 7-5 User guides (continued)

Language	Part number
Lithuanian	CB532-90921
Norwegian	CB532-90922
Romanian	CB532-90925
Serbian	CB532-90927
Slovak	CB532-90928
Slovenian	CB532-90929
Ukrainian	CB532-90934
Vietnamese	CB532-90935
Arabic	CB532-90936
Hebrew	CB532-90937

A printed copy of the Getting Started Guide is available in the following languages.

Table 7-6 Getting started guide

Language	Part number
English, Spanish, Portuguese, French	CB532-90938
English, Spanish, Portuguese, Catalan, Dutch, French, German, Italian	CB532-90939
English, Danish, Finnish, French, Norwegian, Swedish, Arabic	CB532-90940
English, Bulgarian, Czech, Hungarian, Polish, Romanian, Russian, Slovak	CB532-90941
English, Kazakh, Turkish, Ukrainian, Estonian, Latvian, Lithuanian	CB532-90942
English, Croatian, Greek, Serbian, Slovenian, Hebrew	CB532-90943
English, Korean, Indonesian, Simplified Chinese, Traditional Chinese, Thai, Vietnamese	CB532-90944

Table 7-7 Technical support Web sites

HP Customer Care Online	www.hp.com/support/LJM2727
Software drivers, support documentation, and answers to frequently asked questions	
HP Technical Training (North America)	www.hp.com/go/resellertraining
Classes and schedules	

Problem-solve diagrams

- [Repetitive image defects](#)
- [Interface connectors](#)
- [Formatter connectors](#)
- [Fax card](#)
- [Solenoids](#)
- [Switches and sensors](#)
- [Rollers and pads](#)
- [PCAs \(base unit\)](#)
- [Major components \(base unit\)](#)
- [Scanner and ADF](#)
- [Circuit diagram \(1 of 2\)](#)
- [Circuit diagram \(2 of 2\)](#)

Repetitive image defects

If the product output has a consistent, repetitive defect, then use [Table 7-8 Repetitive image defects on page 259](#) to determine which part needs to be replaced based on the measured distance between the repetitions of the defect.


 **NOTE:** The following table replaces the graphical repetitive defect ruler. You can make your own ruler by using these measurements.

Table 7-8 Repetitive image defects

Distance between identical defects	Dirty or damaged roller	Solution
37.7 mm (1.48 inches)	Primary charging roller	Replace the print cartridge.
43.0 mm (1.69 inches)	Registration roller	Replace the registration assembly (see Registration-roller assembly on page 161).
44.0 mm (1.73 inches)	Developing cylinder	Replace the print cartridge.
46.2 mm (1.82 inches)	Transfer roller	Replace the transfer roller.
56.5 mm (2.22 inches)	Fuser film	Replace the fuser (see Fuser on page 147).
69.0 mm (2.72 inches)	Pressure roller	Replace the fuser (see Fuser on page 147).
75.4 mm (2.97 inches)	Photosensitive drum	Replace the print cartridge.

Interface connectors

Figure 7-1 Interface connectors

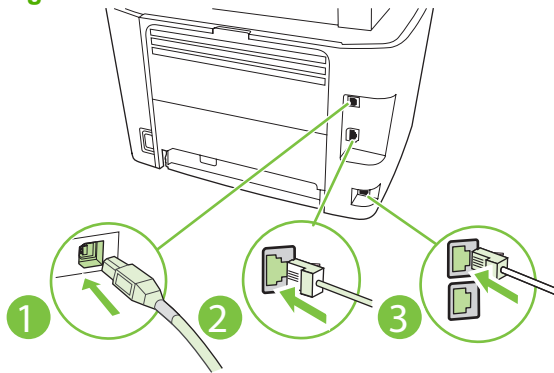


Table 7-9 Interface connectors

1	Hi-speed USB 2.0 port
2	Network port
3	Fax ports

Formatter connectors

Figure 7-2 Formatter connectors

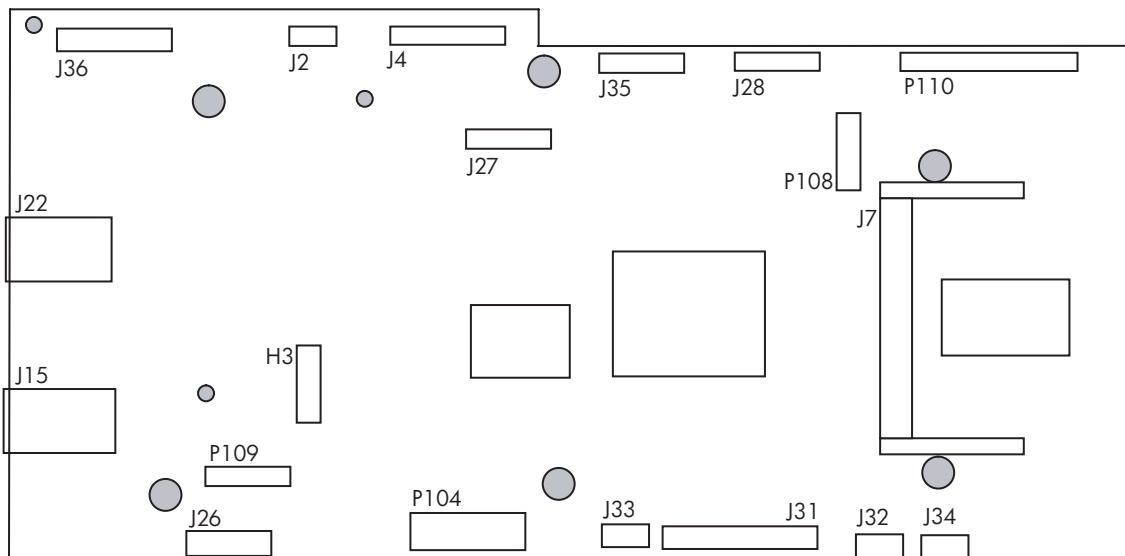


Table 7-10 Formatter connectors

Item	Description
H3	Asian character control panel display PCA NOTE: This PCA is only installed on products that use the Asian fax control panel display. Not all products will have this PCA installed.
J2	Flatbed motor

Table 7-10 Formatter connectors (continued)

Item	Description
J4	Scanner
J7	Dimm slot
J15	Network port
J22	High-speed USB 2.0 port
J26	Fax card PCA
J27	Control panel
J28	Laser video
J31	ECU PCA
J32	Speaker
J33	+3.3V (from the engine)
J34	Tray 1 solenoid (MP tray)
J35	Memory tag (E-label)
J36	ADF motor
P104	BDM
P108	Serial
P109	SPI module
P110	Ansible trace monitor

Fax card

Figure 7-3 Fax card connectors

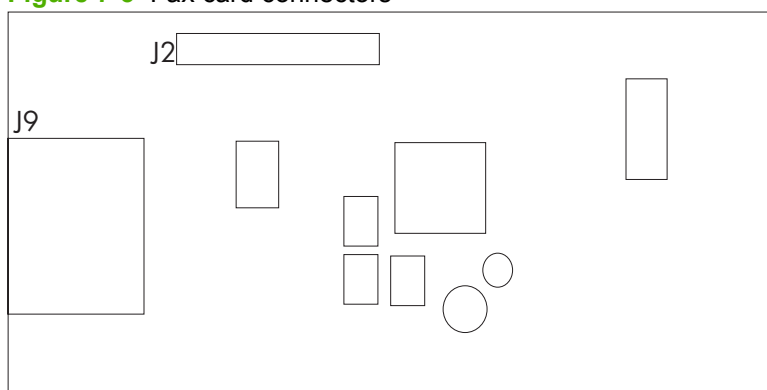


Table 7-11 Fax card

Item	Description
J2	Formatter
J9	Fax ports

Solenoids

Figure 7-4 Solenoids

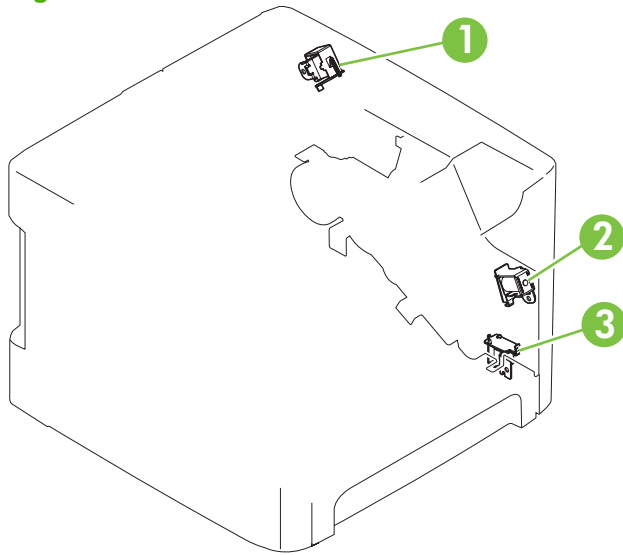


Table 7-12 Solenoids

Item	Description
1	Duplex solenoid
2	Tray 1 pickup solenoid
3	Tray 2 pickup solenoid

Switches and sensors

Figure 7-5 Switches and sensors

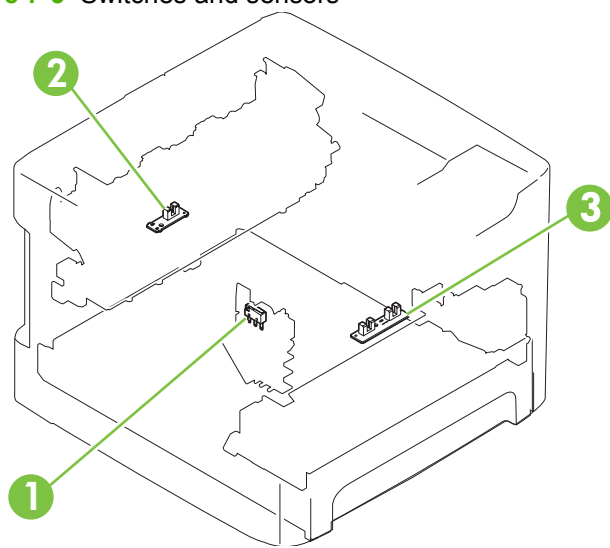


Table 7-13 Switches and sensors

Item	Description
1	Interlock switch
2	Delivery sensor
3	Top-of-page sensor

Rollers and pads

Figure 7-6 Rollers and pads

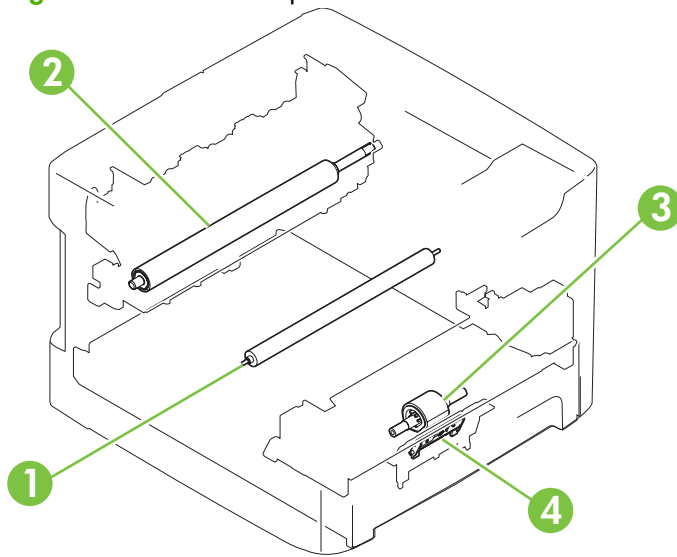


Table 7-14 Rollers and pads

Item	Description
1	Transfer roller
2	Pressure roller
3	Pickup roller
4	Separation pad

PCAs (base unit)

Figure 7-7 PCAs (base unit)

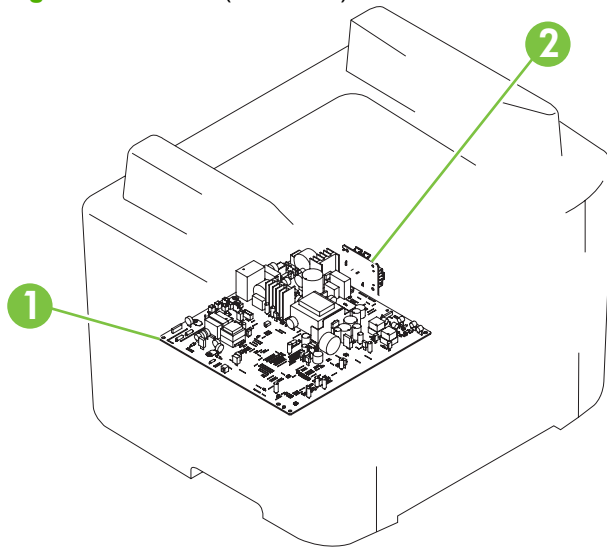


Table 7-15 PCAs (base unit)

Item	Description
1	Engine-controller assembly (ECU)
2	Power-switch PCA

Major components (base unit)

Figure 7-8 Major components (base unit)

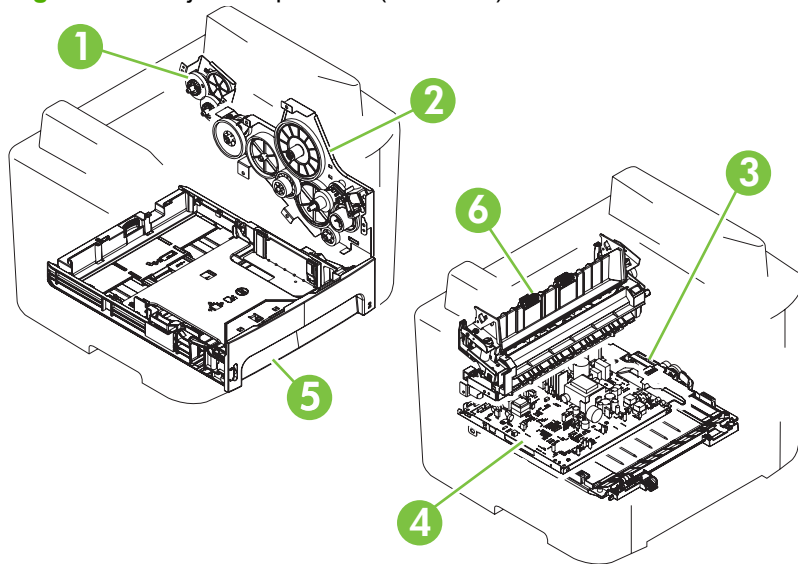


Table 7-16 Major components (base unit)

Item	Description
1	Duplex-drive gears
2	Main-drive assembly
3	Duplex-drive assembly
4	Engine-controller assembly (ECU)
5	Tray 2 cassette
6	Fuser

Scanner and ADF

Figure 7-9 Scanner and ADF

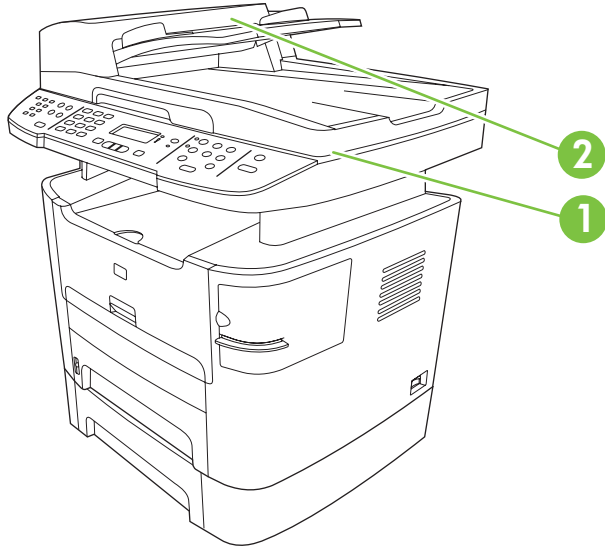
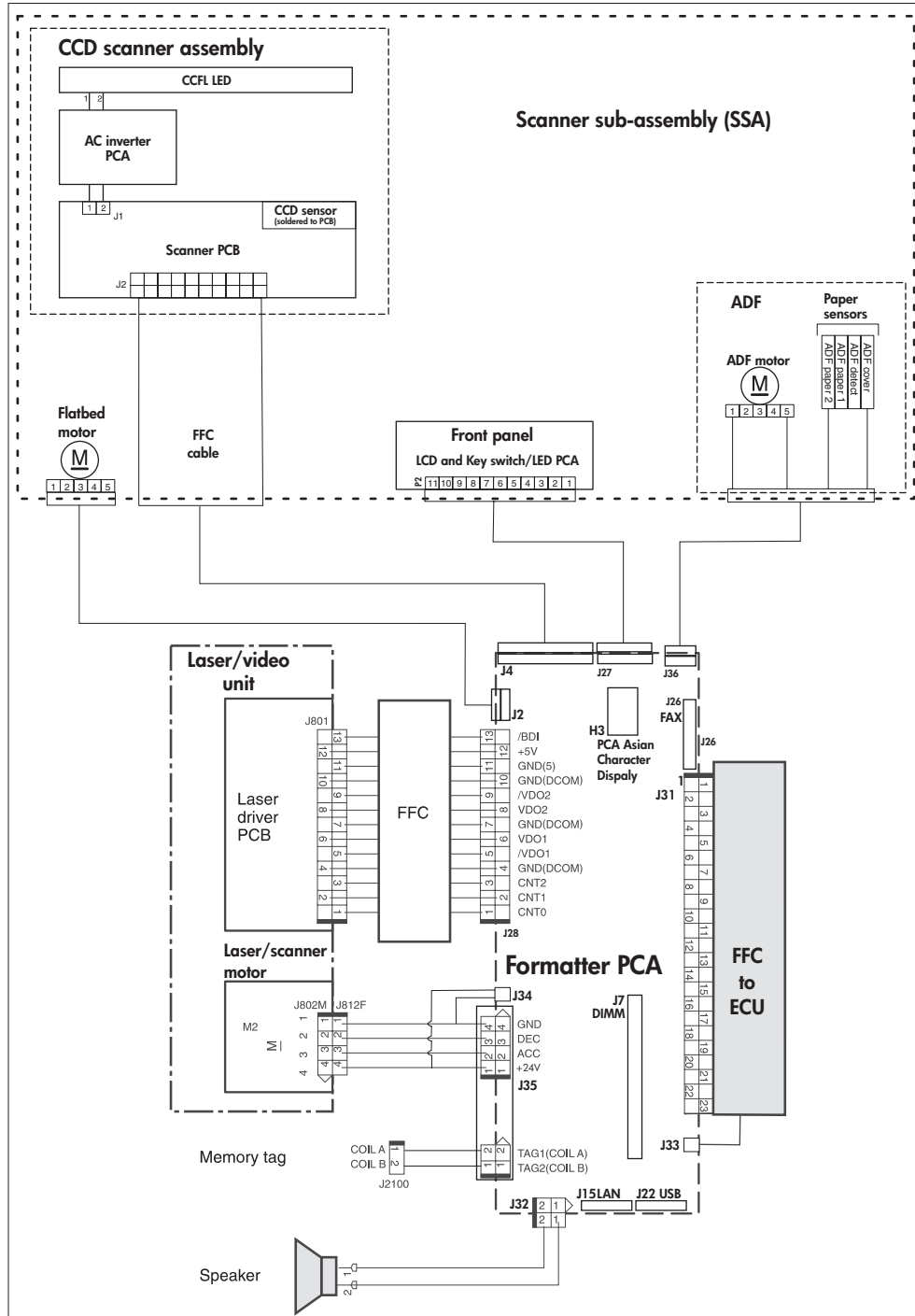


Table 7-17 Scanner and ADF

Item	Description
1	Scanner
2	ADF

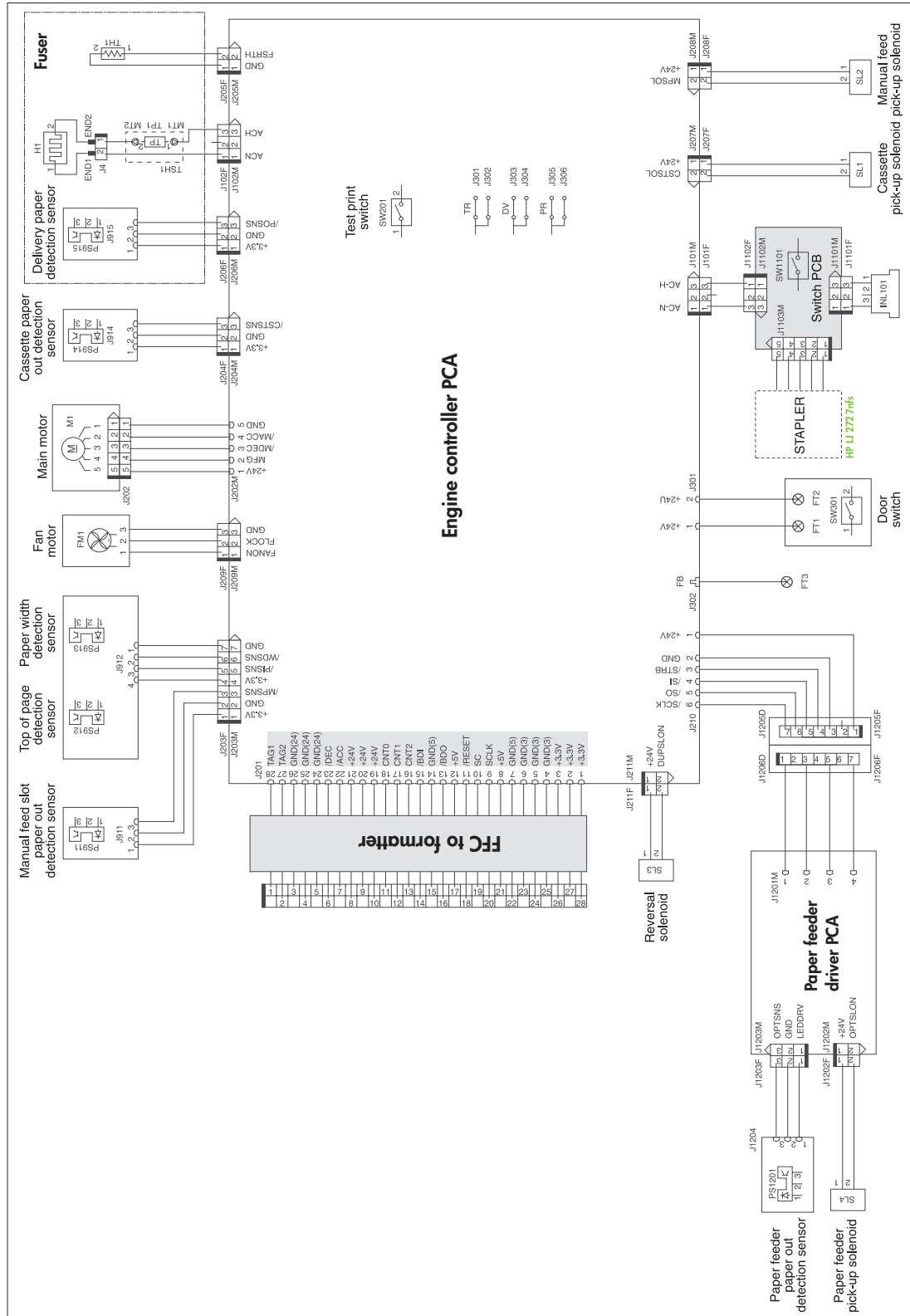
Circuit diagram (1 of 2)

Figure 7-10 Circuit diagram (1 of 2)



Circuit diagram (2 of 2)

Figure 7-11 Circuit diagram (2 of 2)



Parts lists and diagrams




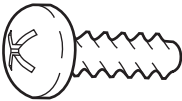

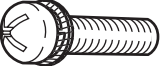

How to use the parts lists and diagrams

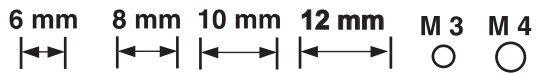
The figures in this chapter show the major subassemblies in the product and their component parts. A parts list table follows each exploded view assembly diagram. Each table lists the item number, the associated part number, and the description of each part. If a part is not listed in the table, then it is not a field replaceable unit (FRU).

△ **CAUTION:** Be sure to order the correct part. When looking for part numbers for electrical components, pay careful attention to the voltage that is listed in the description column to ensure that the part number selected is for the correct product model.

📄 **NOTE:** In this manual, the abbreviation “PCA” stands for “printed circuit board assembly.” Components described as a PCA might consist of a single circuit board or a circuit board plus other parts, such as cables and sensors.

Types of screws

Illustration	Description	Size	Part number	Use
	Screw, RS	M3X6	XA9-1495-000CN	Used to secure metal to metal
		M3X6	XA9-1561-000CN	
		M3X8	XA9-1504-000CN	
	Screw w/washer	M3X8	XA9-1420-000CN	Used to secure metal components to metal components (for example, a ground wire to the frame)
		M4X12	XA9-1492-000CN	
	Screw, tapping	M3X6	XB9-1503-000CN	Used to secure anything to plastic
	Screw, tapping, truss head	M4X10	XB4-7401-005CN	Used to secure anything to plastic
	Screw, tapping binding, head	M3X8	XB4-7300-809CN	Used to secure anything to plastic
	Screw, toothed washer	M4X6	XB2-7400-606CN	Used to secure metal components to metal components
	Screw, TP	M3X8	XA-1648-000CN	Used to secure anything to plastic



Scanner and ADF assemblies

Figure 7-12 Scanner and ADF assemblies

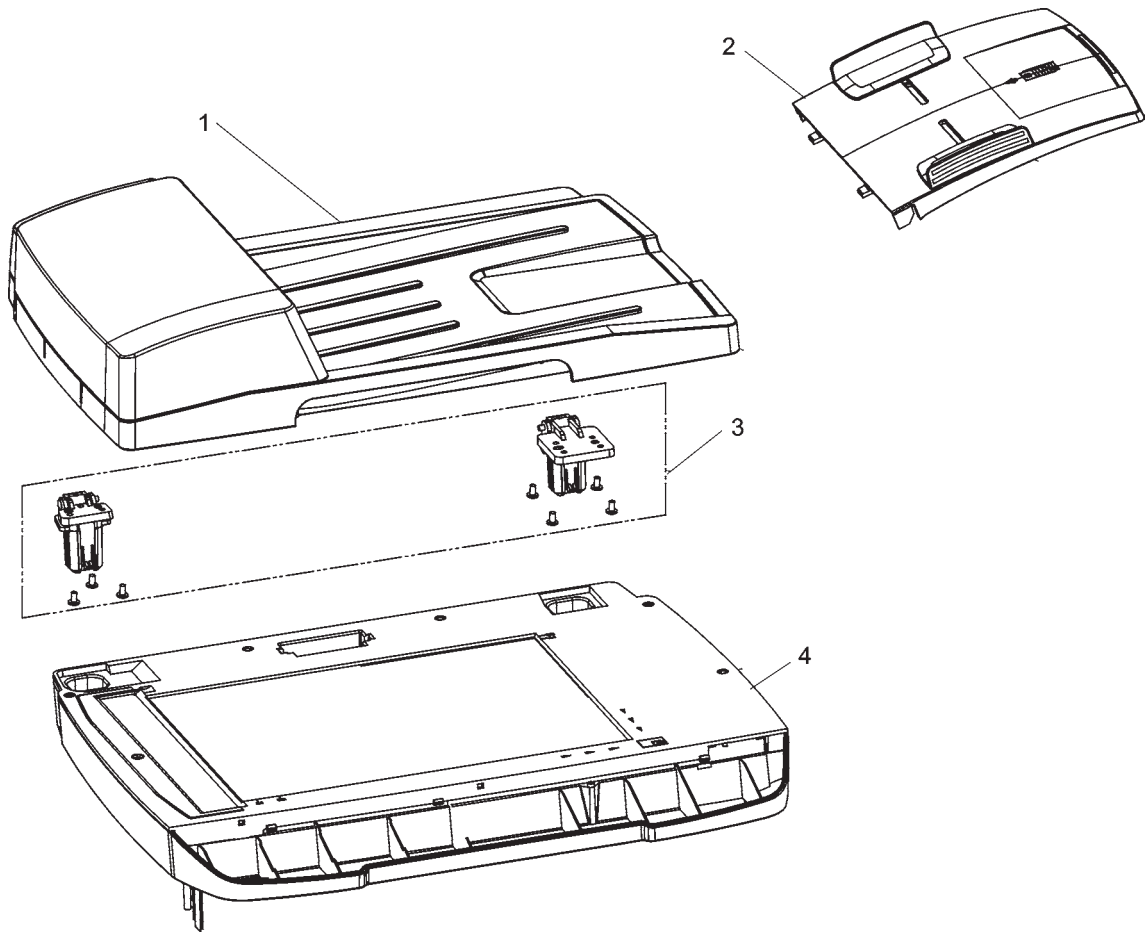


Table 7-18 Scanner and ADF assemblies

Ref	Description	Part number	Qty
1	ADF PKG FGI ASSY (automatic document feeder)	CB532-67903	1
2	Input tray assembly HP LaserJet M2727	Q6500-60119	1
3	ADF hinge replacement kit	Q3948-67905	1
4	SSA PKG FGI ASSY (scanner flatbed assembly)	CB532-67905	1

Scanner components

Figure 7-13 Scanner assemblies

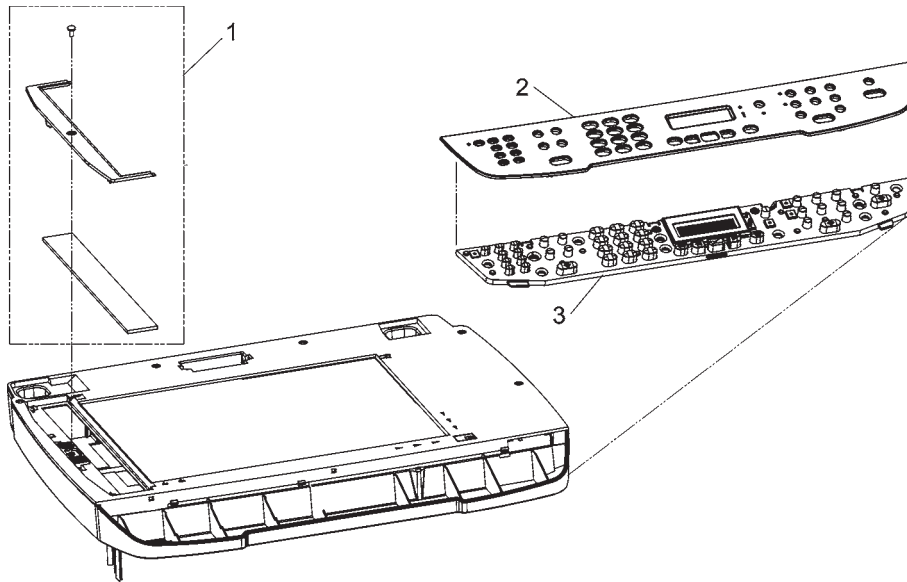



Table 7-19 Scanner components

Ref	Description	Part number	Qty
1	ADF window replacement kit	Q6500-67904	1
2	Bezel, control panel	See Control-panel bezels on page 255 .	1
3	Control panel, Western fax	CB532-60101	1
3	Control panel, Asian fax	CB532-60102	1

 **NOTE:** The Asian character control panel display PCA (see [Formatter, fax card, HP jewel, and nameplate on page 280](#)) must be installed on the formatter to support the Asian fax control panel (CB532-60102).

ADF components

Figure 7-14 ADF components

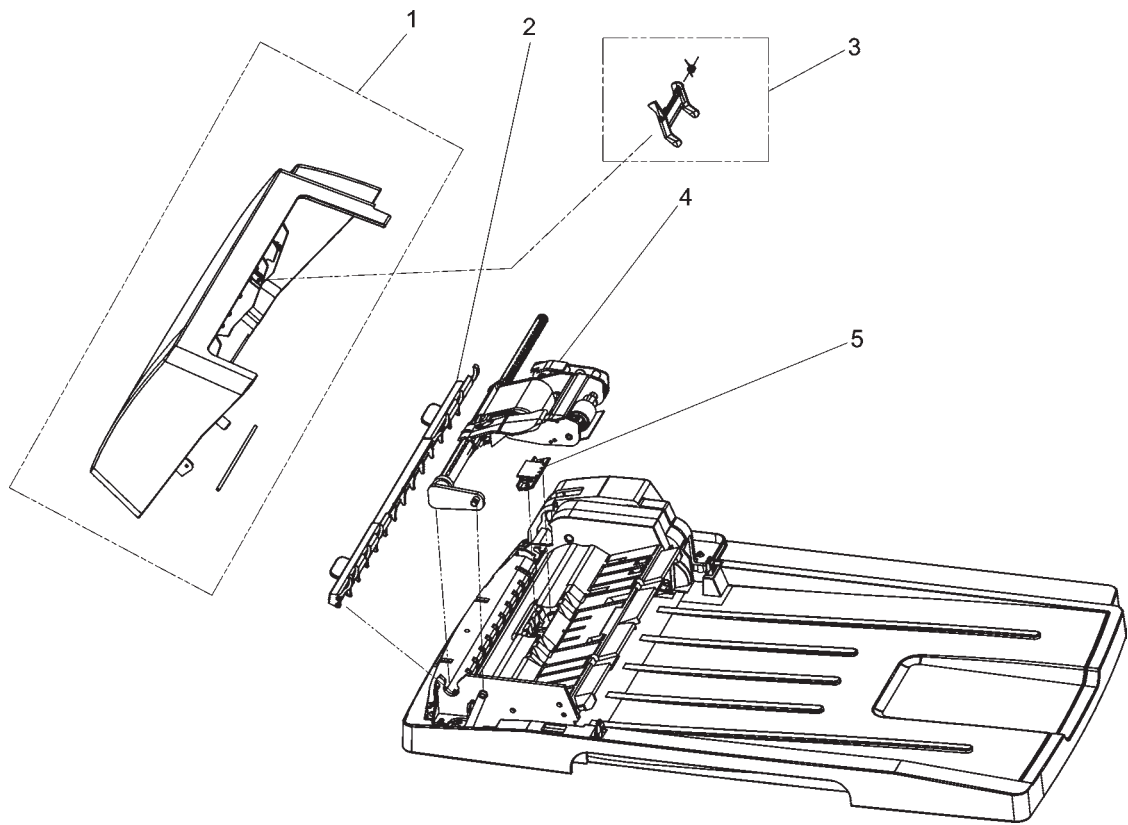


Table 7-20 ADF components

Ref	Description	Part number	Qty
1	ADF cover replacement kit	Q6500-67901	1
2	ADF cleanout part	C7309-40153	1
3	ADF flag replacement kit	Q3948-67902	1
4	ADF pickup roller assembly	5851-2559	1
5	ADF separation pad	Q2665-60125	1

Convenience stapler components (HP LaserJet M2727nfs only)

Figure 7-15 Convenience stapler components (HP LaserJet M2727nfs only)

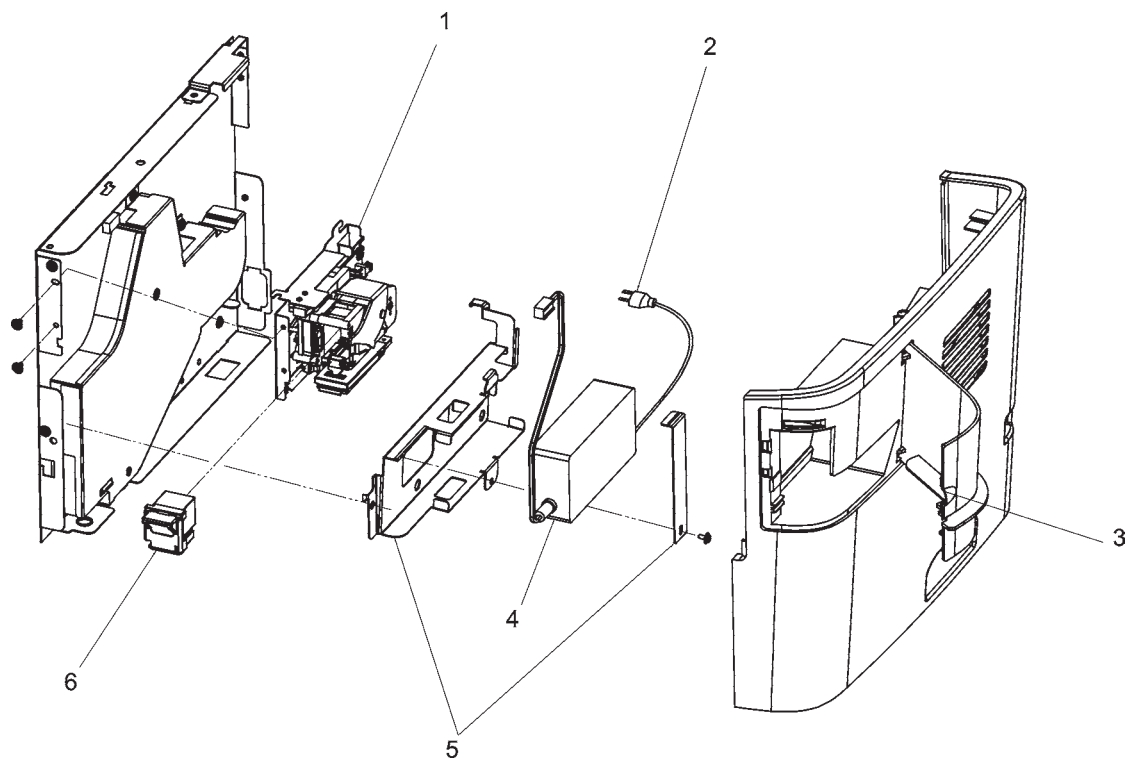



Table 7-21 Convenience stapler components (HP LaserJet M2727nfs only)

Ref	Description	Part number	Qty
1	Convenience stapler mechanism HP LaserJet M2727nfs (replacement)	CB532-60105	1
2	Convenience stapler AC inlet cable HP LaserJet M2727nfs	Q6501-60101	1
3	Convenience stapler cover door HP LaserJet M2727nfs	RC1-7523-000CN	1
4	Convenience stapler power supply HP LaserJet M2727nfs	Q7429-60501	1
5	Convenience stapler power supply bracket and strap HP LaserJet M2727nfs	CB532-67902	1
6	Convenience stapler cassette (2-pack) HP LaserJet M2727nfs	Q7432-67001	1

 **NOTE:** The convenience stapler components are used in the HP LJ3392 and the HP LaserJet M2727nfs.

Formatter, fax card, HP jewel, and nameplate

Figure 7-16 Formatter, fax card, HP jewel, and nameplate

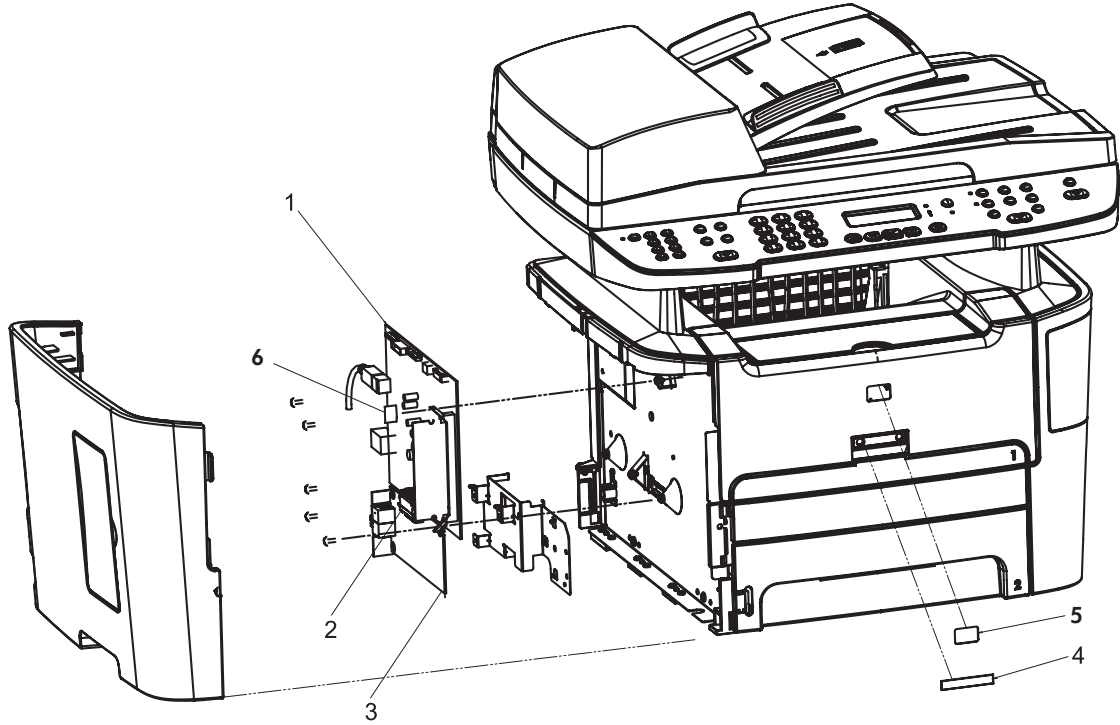



Table 7-22 Formatter, Fax card, HP jewel, and nameplate

Ref	Description	Part number	Qty
1	Formatter PCA	CC370-60001	1
2	Fax card/Formatter FFC	CB534-60117	1
3	Fax card US/AP ROHS	CC502-60001	1
3	Fax card EMEA ROHS	CC369-60001	1
4	Nameplate HP LaserJet M2727nf	CB532-00009	1
4	Nameplate HP LaserJet M2727nfs	CB532-00003	1
5	Jewel, HP	7121-8285	1
6	PCA, Asian character display control panel (with spacer)	CB532-67904	1

 **NOTE:** The Asian character display control panel PCA (CB532-67904) is only installed on products that use the Asian fax control panel.

External covers and panels

Figure 7-17 External covers and panels

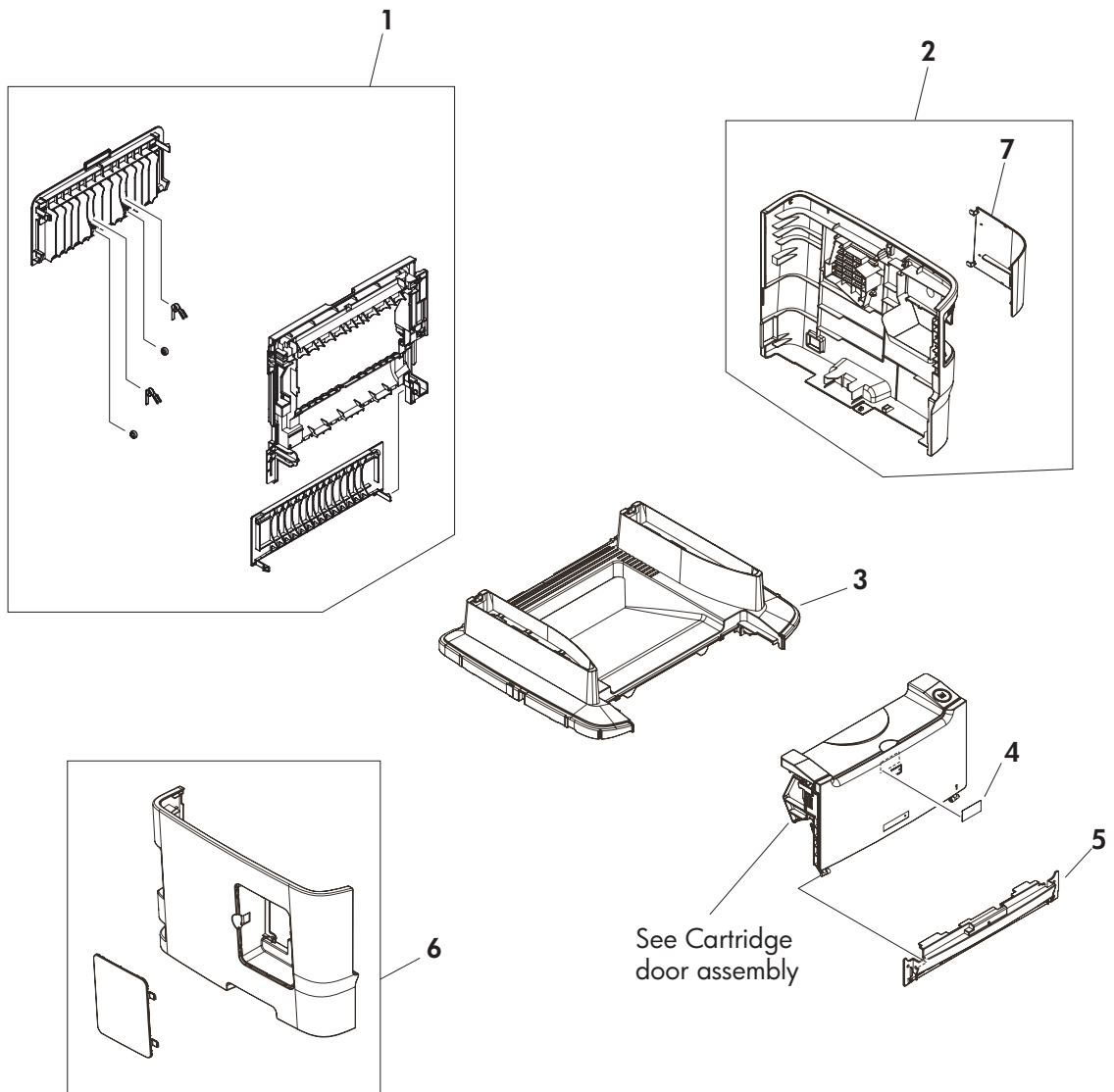


Table 7-23 External covers and panels

Ref	Description	Part number	Qty
1	Rear cover assembly	RM1-4270-000CN	1
2	Cover right (with dummy stapler cover)	RM1-4708-000CN	1
3	Cover top	RC2-2940-000CN	1
4	Label, stapler prohibition	RC1-3794-000CN	1
5	Cover front	RC2-0330-000CN	1
6	Cover left (with DIMM door)	RC1-4707-000CN	1
7	Cover dummy (stapler plug; HP LaserJet M2727nf)	RC1-7523-000CN	1

Cartridge door assembly

Figure 7-18 Cartridge door assembly

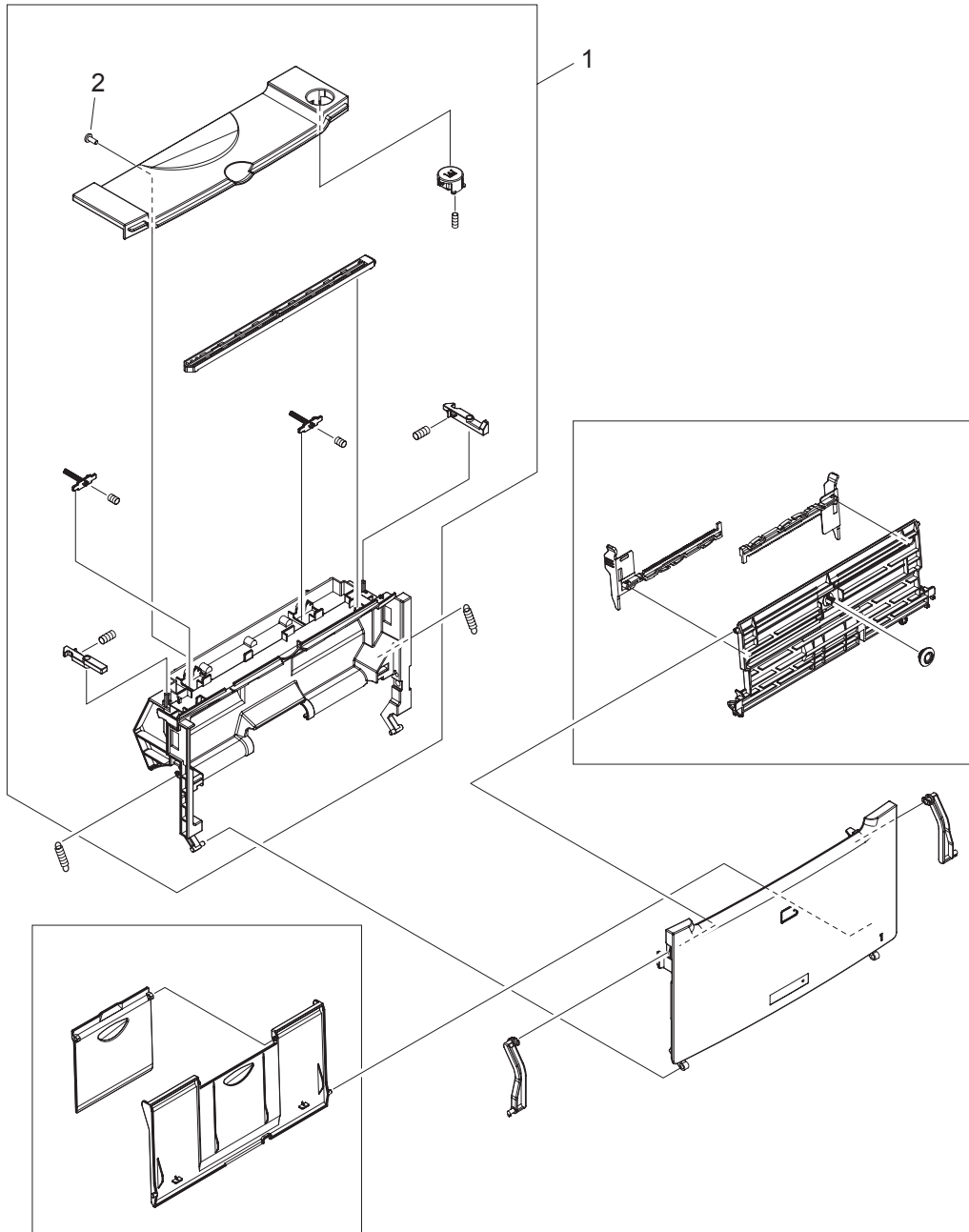


Table 7-24 Cartridge door assembly

Ref	Description	Part number	Qty
All	Cartridge door assembly	RM1-4711-000CN	1
1	Inner cover	RM1-4712-000CN	1
2	Screw, tapping truss	XB4-7401-000CN	2

Internal components (1 of 4)

Figure 7-19 Internal components (1 of 4)

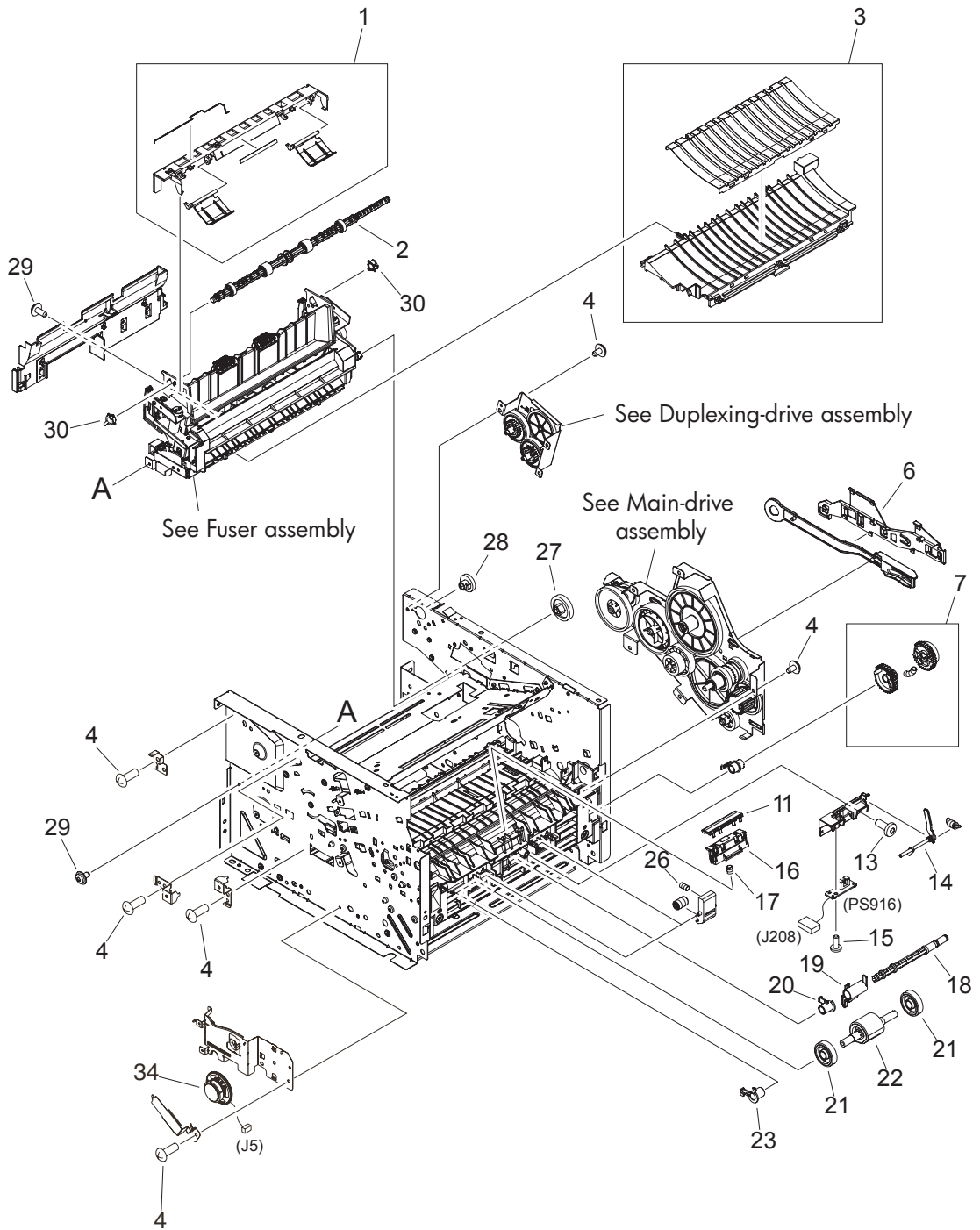


Table 7-25 Internal components (1 of 4)

Ref	Description	Part number	Qty
1	Paper-retaining assembly	RM1-4265-000CN	1
2	Roller, face down	RL1-0527-000CN	1
3	Paper-feed guide assembly	RM1-4263-000CN	1
4	Screw, RS M3X6	XA9-1495-000CN	12
6	Guide, DC cable 2	RC2-1569-000CN	1
7	Paper-pickup gear assembly	RM1-1301-000CN	1
11	MP separation pad (Tray 1)	RL1-1524-000CN	1
13	Screw, tapping truss head M4X10	XB4-7401-000CN	1
15	Screw, tapping binding head M3X8	XB4-7300-000CN	1
16	Separation pad base	RC2-0419-000CN	1
17	Spring, compression	RU5-2894-000CN	1
18	Paper-pickup drive shaft	RC1-3471-000CN	1
19	Flag, paper sensing	RC1-3472-000CN	1
20	Right bushing	RB2-2895-000CN	1
21	Roller, paper-pickup idler	RC1-3470-000CN	2
22	Roller, paper pickup	RL1-0540-000CN	1
23	Left bushing	RB2-2896-000CN	1
26	Spring, compression	RU5-2323-000CN	2
27	Gear, 29T	RU5-0331-000CN	1
28	Gear, 19T	RU5-0332-000CN	1
29	Screw, tap M3X6	XA9-1503-000CN	5
30	Bushing	RC1-3665-000CN	2
34	Speaker assembly	RM1-4943-000CN	1

Internal components (2 of 4)

Figure 7-20 Internal components (2 of 4)

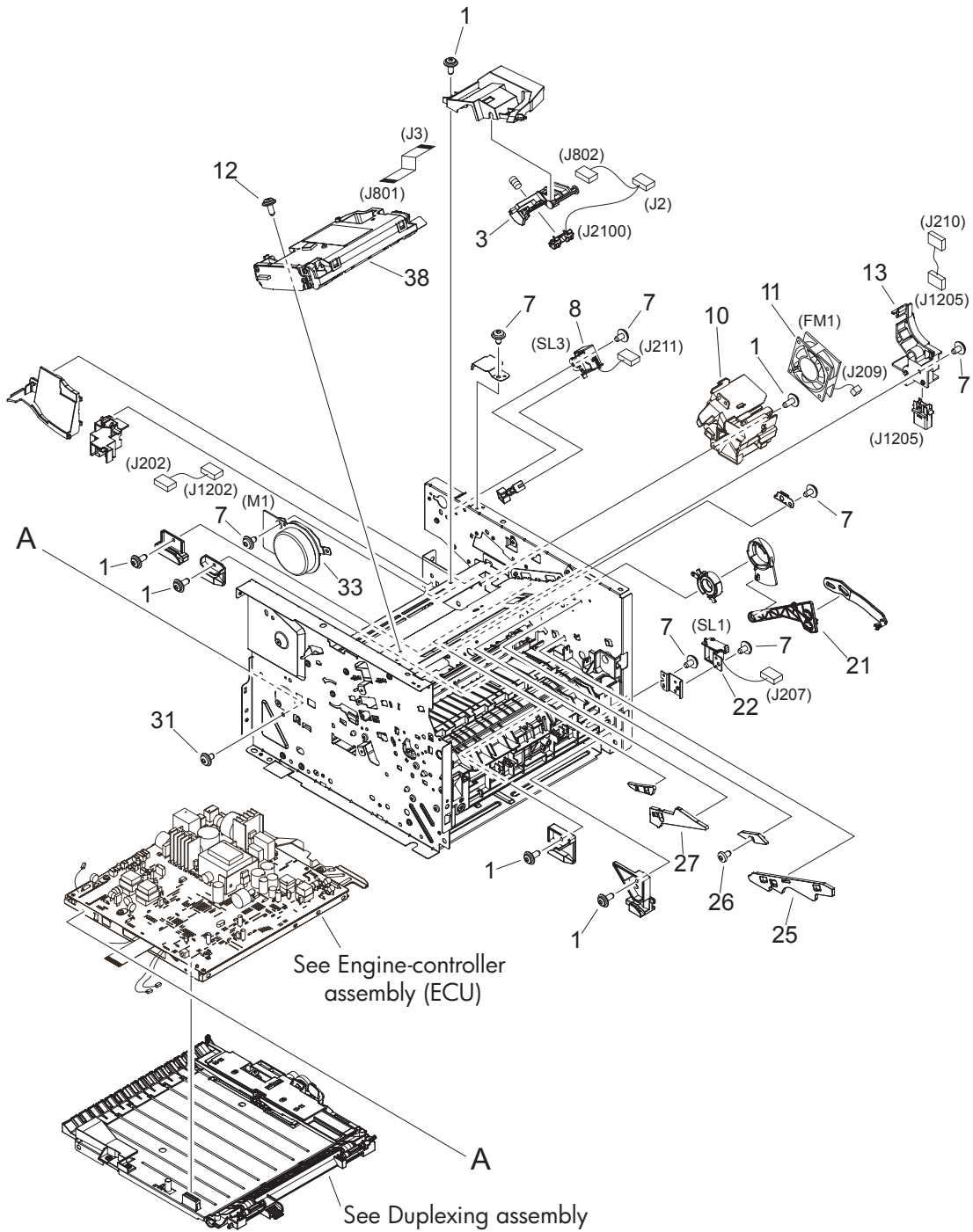


Table 7-26 Internal components (2 of 4)

Ref	Description	Part number	Qty
1	Screw, RS M3X8	XA9-1504-000CN	8
2	Arm, cam	RC2-0405-000CN	1
3	Arm, tag	RC2-0392-000CN	1
7	Screw, RS M3X6	XA9-1495-000CN	9
8	Solenoid (SL3)	RK2-0910-000CN	1
10	Holder, fan	RC2-2946-000CN	1
11	Fan	RK2-2082-000CN	1
12	Screw, TP M3X8	XA9-1648-000CN	4
13	Holder, drawer connector	RC2-0396-000CN	1
22	Solenoid (SL1)	RK2-0424-000CN	1
25	Guide, cartridge right lower	RC2-0346-000CN	1
26	Screw, RS M3X8	XA9-1561-000CN	1
27	Guide, cartridge right upper	RC1-0426-000CN	1
31	Screw, tap M3X6	XA9-1503-000CN	3
33	Motor, DC	RK2-1567-000CN	1
38	Scanner assembly (laser/scanner)	RM1-4262-000CN	1

Internal components (3 of 4)

Figure 7-21 Internal components (3 of 4)

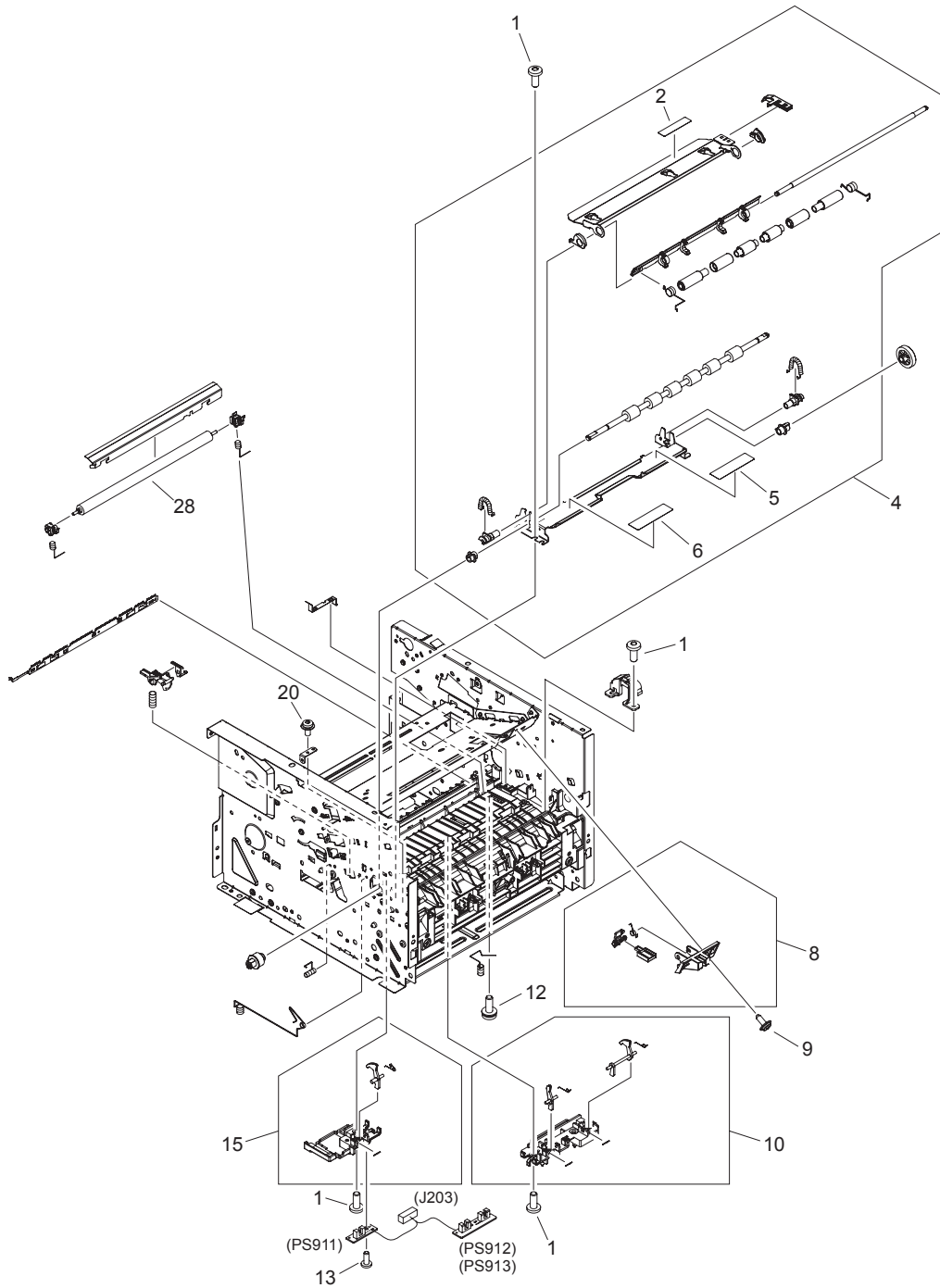


Table 7-27 Internal components (3 of 4)

Ref	Description	Part number	Qty
1	Screw, tapping truss head M4X10	XB4-7401-005CN	7
2	Label, transfer guide open	RC1-3796-000CN	1
4	Registration assembly	RM1-4244-000CN	1
5	Label, clear jam	RC2-2952-000CN	1
6	Label, fixing (fusing) pressure release	RC1-2953-000CN	1
8	Shutter link assembly	RM1-1321-000CN	1
9	Screw, RS M3X8	XA9-1504-000CN	1
10	Top-sensor assembly	RM1-1283-000CN	1
12	Screw, w/washer M4X12	XA9-1422-000CN	1
13	Screw, tap binding head M3X8	XB4-7300-000CN	2
13	Screw, RS M3X6	XA9-1495-000CN	2
15	Paper-width sensor assembly	RM1-4245-000CN	1
20	Screw, w/washer M3X8	XA9-1420-000CN	1
28	Roller, transfer	RM1-4279-000CN	1

Internal components (4 of 4)

Figure 7-22 Internal components (4 of 4)

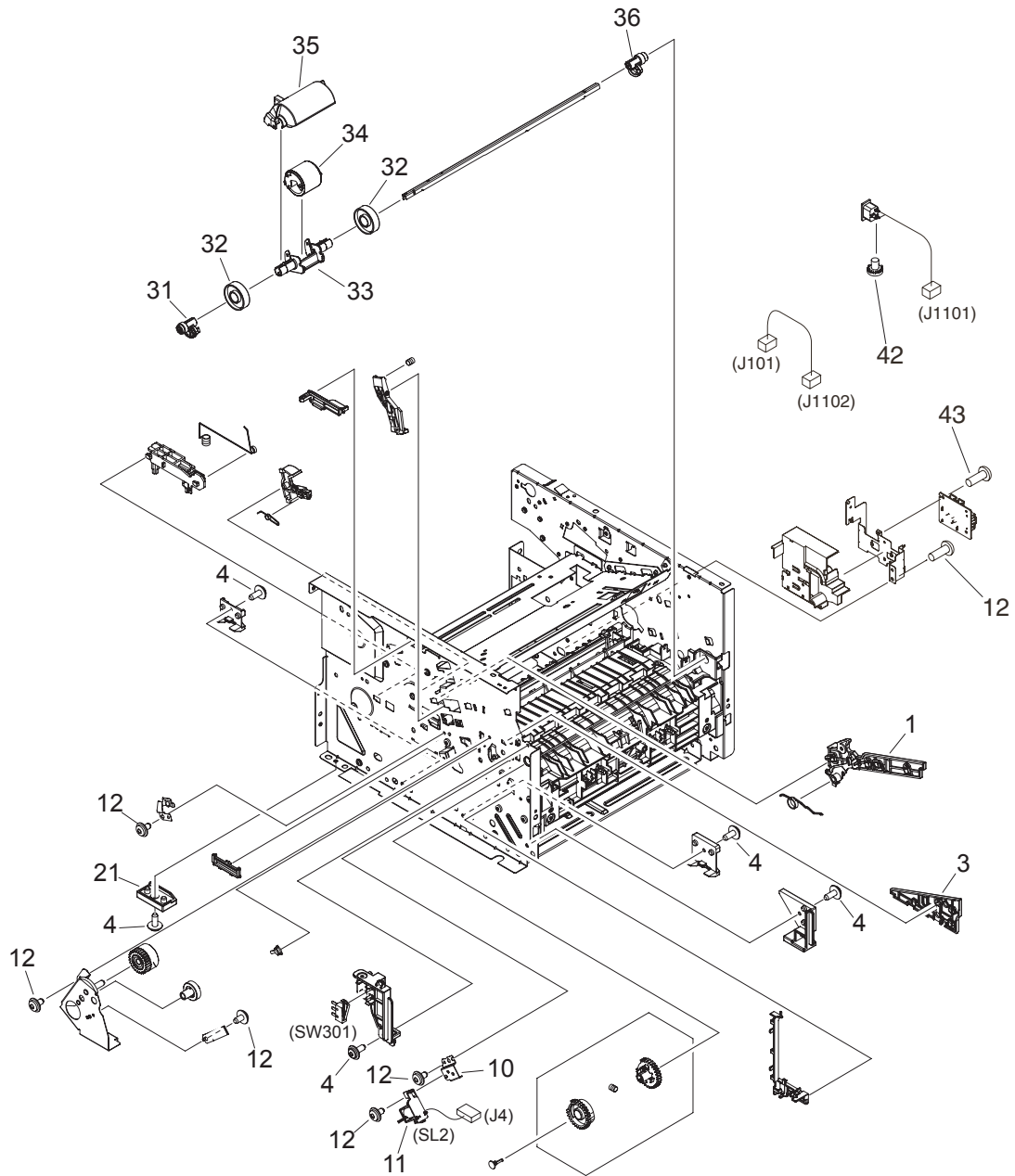


Table 7-28 Internal components (4 of 4)

Ref	Description	Part number	Qty
1	Guide, cartridge left upper	RC2-0425-000CN	1
3	Guide, cartridge left lower	RC2-0339-000CN	1
4	Screw, RS M3X8	XA9-1504-000CN	6
10	MP solenoid holder	RC2-0334-000CN	1
11	Solenoid (SL2)	RK2-1587-000CN	1
12	Screw, RS M3X6	XA9-1495-000CN	8
31	MP left cam	RC2-0387-000CN	1
32	MP roller	RC1-0950-000CN	2
33	MP paper-pickup roller holder	RC2-0386-000CN	1
34	MP pickup roller	RL1-1525-000CN	1
35	MP paper-pickup roller cover	RC2-0420-000CN	1
36	MP right cam	RC2-0388-000CN	1
42	Screw, toothed washer M4X6	XB2-7400-606CN	1
43	Screw, w/washer M3X8	XA9-1420-000CN	2

Engine-controller assembly (ECU)

Figure 7-23 Engine-controller assembly

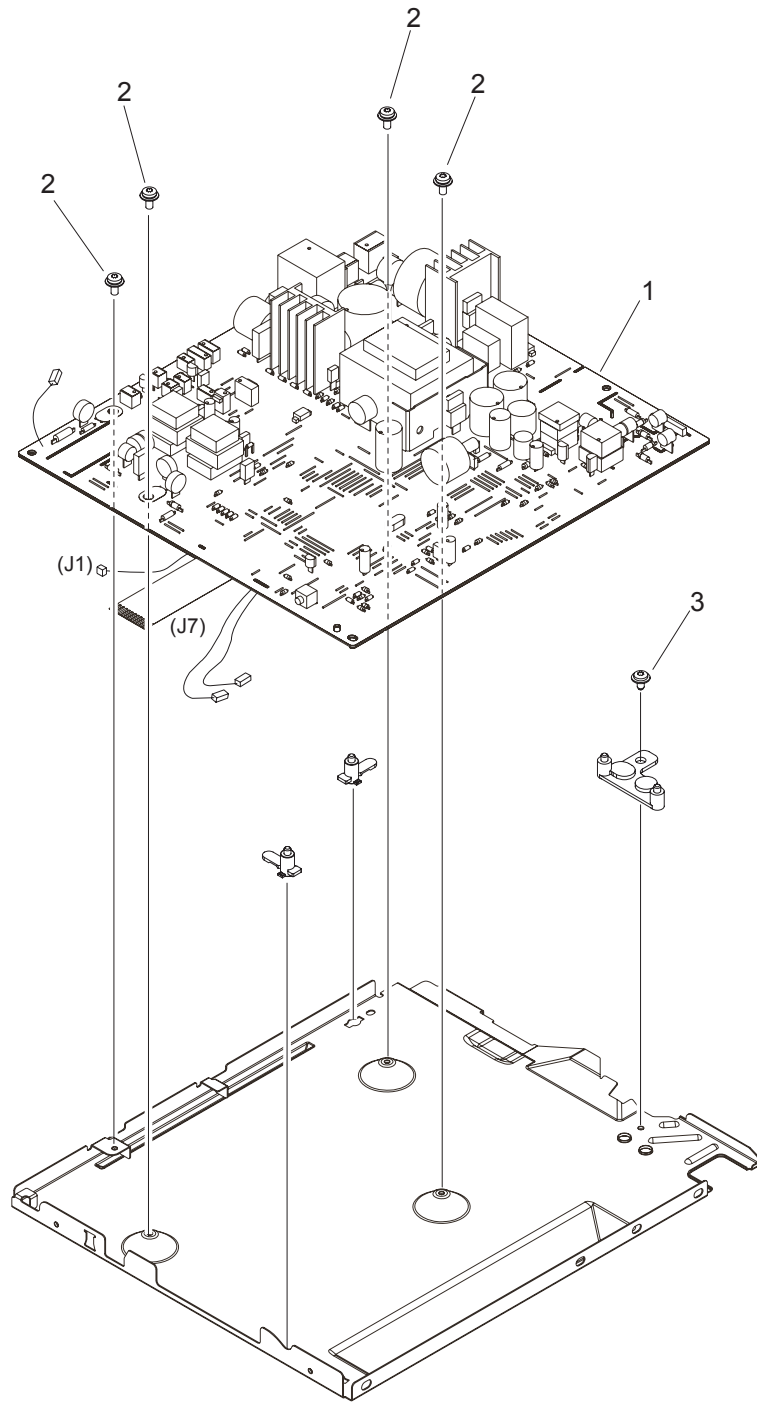


Table 7-29 Engine-controller assembly

Ref	Description	Part number	Qty
1	Engine-controller PCA (110 to 127 v)	RM1-4940-000CN	1
1	Engine-controller PCA (220 to 240 v)	RM1-4941-000CN	1
2	Screw, w/washer M3X8	XA9-1420-000CN	4
3	Screw, RS M3X6	XA9-1495-000CN	1

Main-drive assembly

Figure 7-24 Main-drive assembly

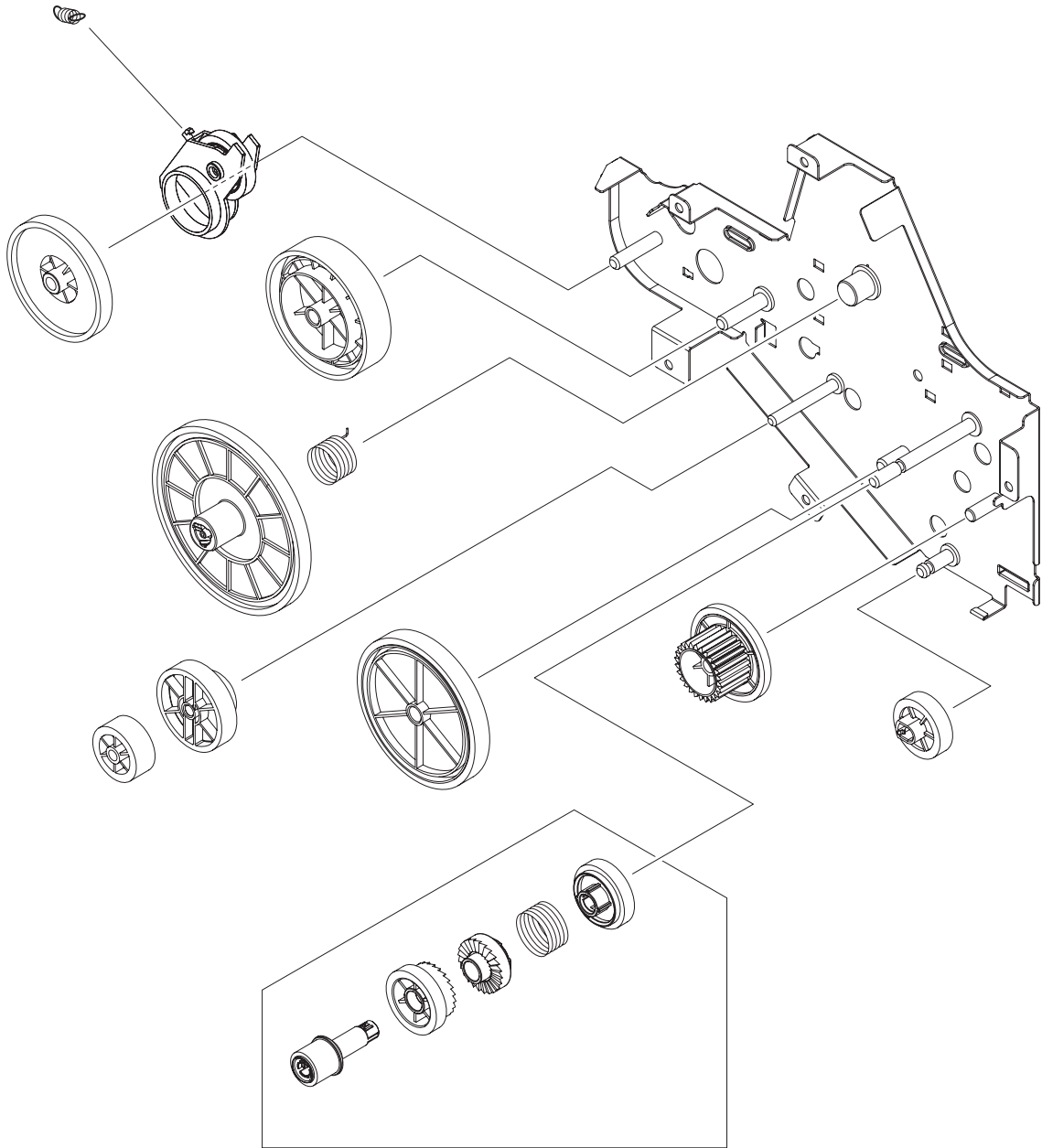


Table 7-30 Main-drive assembly

Ref	Description	Part number	Qty
all	Main-drive assembly	RM1-4253-000CN	1

Duplexing-drive assembly

Figure 7-25 Duplexing-drive assembly

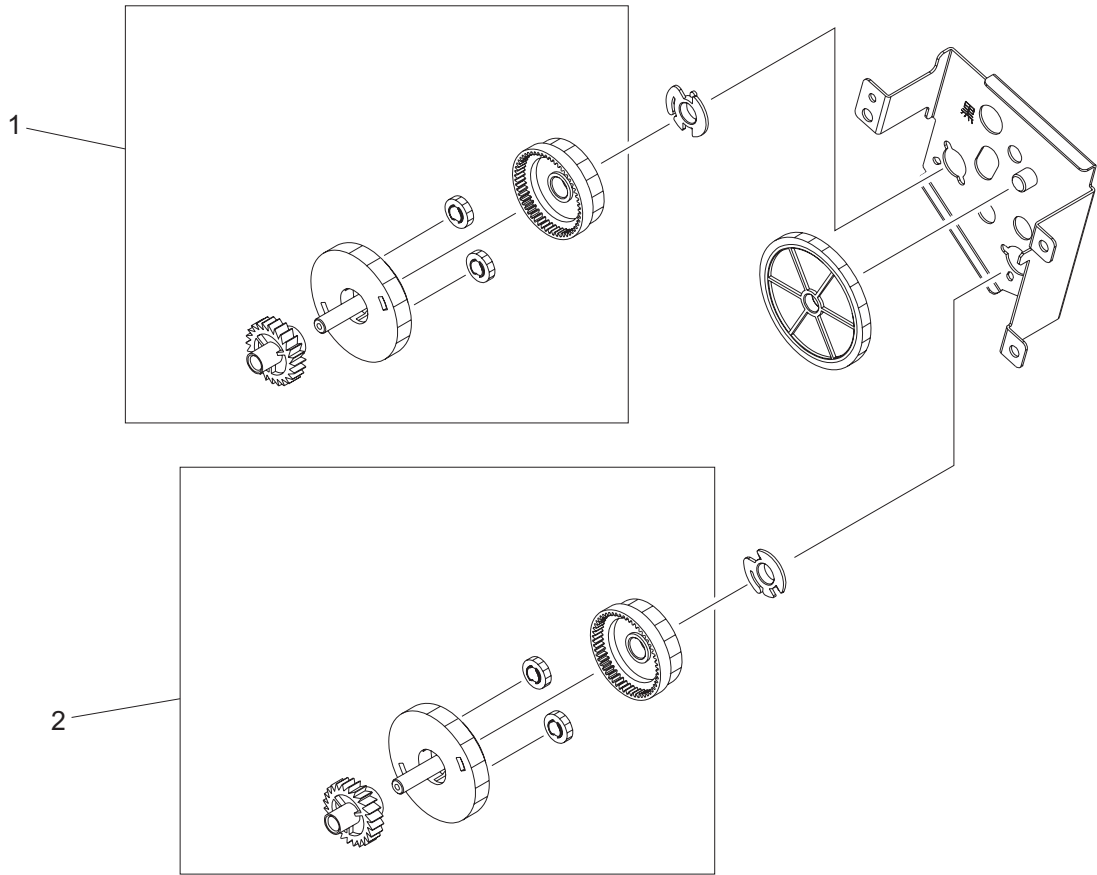
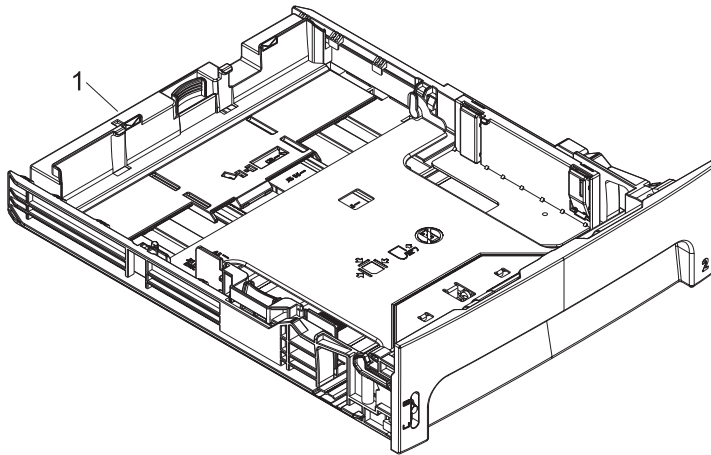


Table 7-31 Duplexing-drive assembly

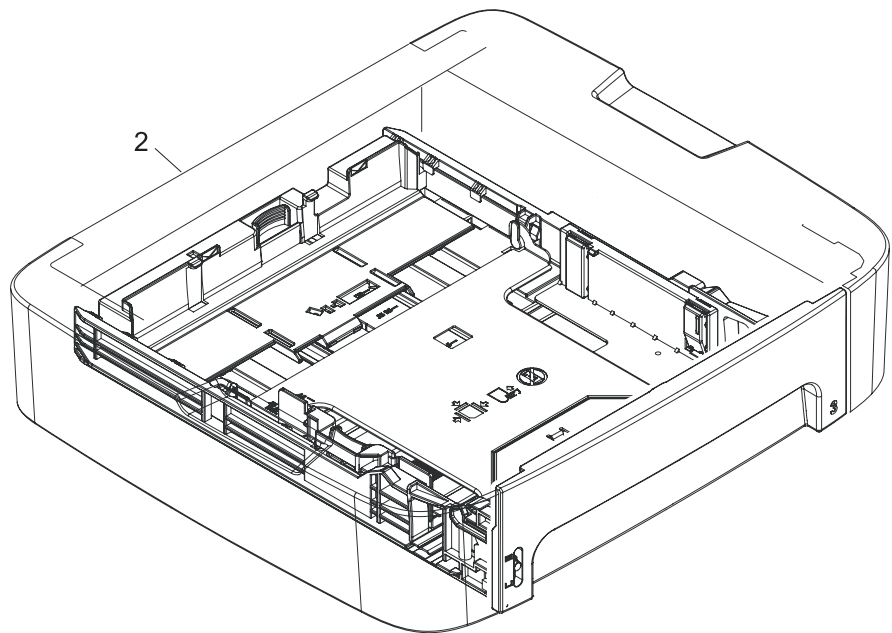
Ref	Description	Part number	Qty
all	Duplexing-drive assembly	RM1-4255-000CN	1
1	Normal-rotation drive assembly	RM1-4256-000CN	1
2	Reverse-rotation drive assembly	RM1-4257-000CN	1

Tray 2 cassette and tray 3 cassette/feeder

Figure 7-26 Tray 2 cassette and tray 3 cassette/feeder




Tray 2 cassette



Tray 3 cassette/feeder

Table 7-32 Tray 2 cassette and tray 3 cassette/feeder

Ref	Description	Part number	Qty
1	Cassette, tray 2 (250-sheet)	RM1-4251-000CN	1
2	Cassette/feeder, tray 3 (250-sheet)	Q7556-67901	1
Not shown	Separation pad, tray 2 and optional tray 3	RM1-1292-000CN	1

 **NOTE:** Paper trays are not serviceable. Replace the entire tray if needed.

Duplexing assembly

Figure 7-27 Duplexing assembly

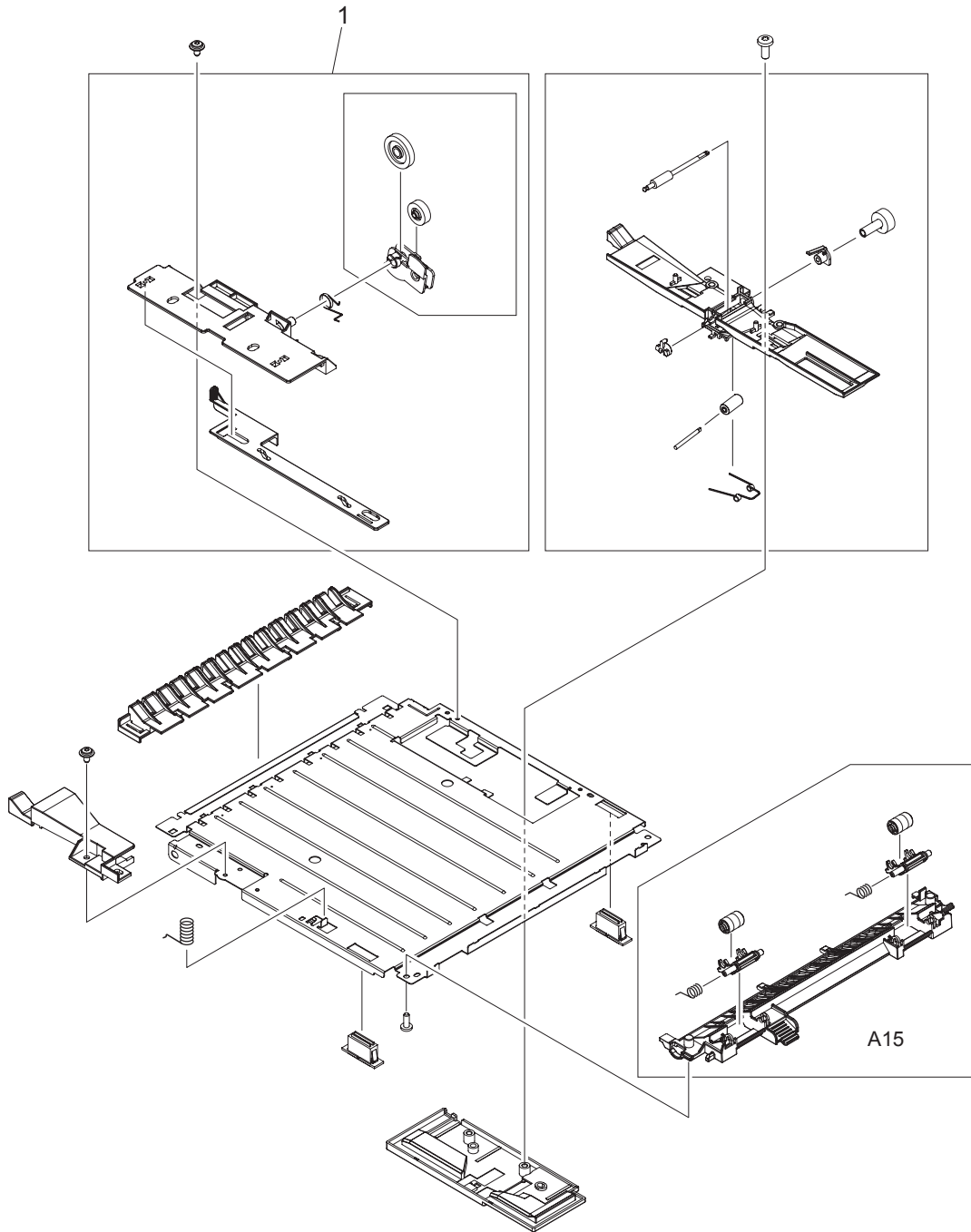


Table 7-33 Duplexing assembly

Ref	Description	Part number	Qty
all	Duplexing assembly	RM1-4258-000CN	1
1	Size-change assembly	RM1-1318-000CN	1

Fuser assembly

Figure 7-28 Fuser assembly

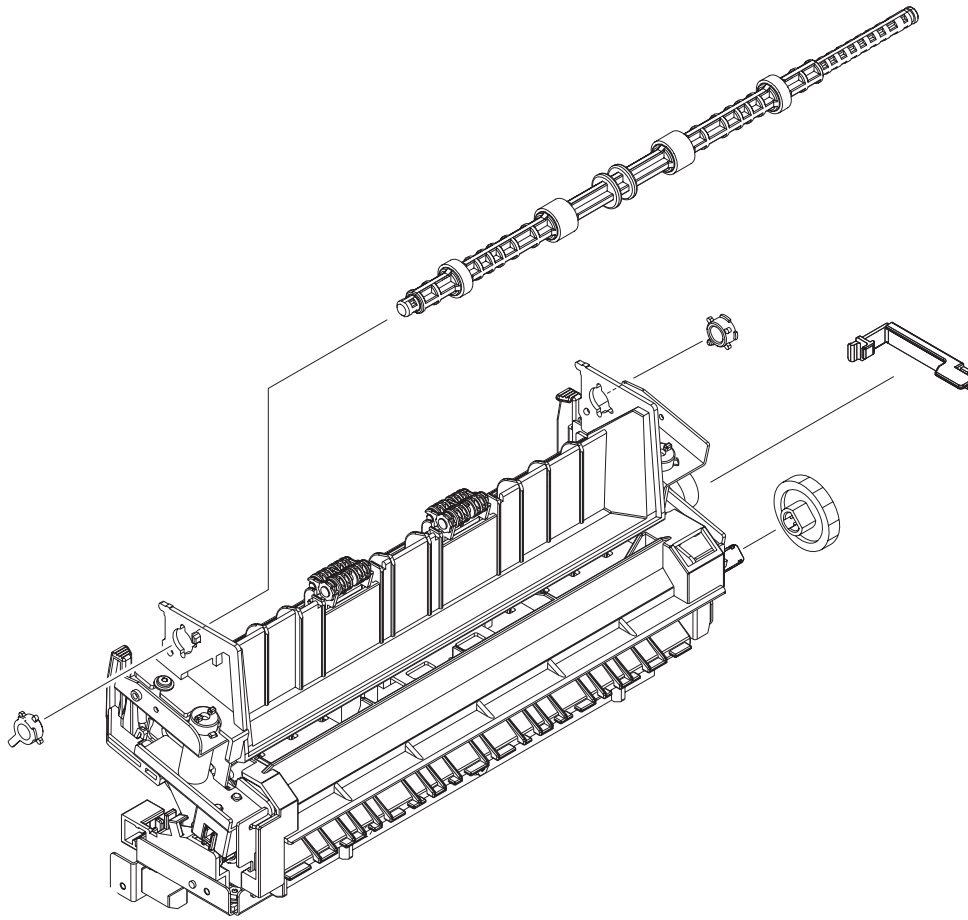


Table 7-34 Fuser assembly

Ref	Description	Part number	Qty
all	Fuser (110 to 127 v)	RM1-4247-000CN	1
all	Fuser (220 to 240 v)	RM1-4248-000CN	1

Alphabetical parts list

Table 7-35 Alphabetical parts list

Description	Part number	Table and page
ADF cleanout part	C7309-40153	ADF components on page 277
ADF cover replacement kit	Q6500-67901	ADF components on page 277
ADF flag replacement kit	Q3948-67902	ADF components on page 277
ADF hinge replacement kit	Q3948-67905	Scanner and ADF assemblies on page 273
ADF pickup roller assembly	5851-2559	ADF components on page 277
ADF PKG FGI ASSY (automatic document feeder)	CB532-67903	Scanner and ADF assemblies on page 273
ADF separation pad	Q2665-60125	ADF components on page 277
ADF window replacement kit	Q6500-67904	Scanner components on page 275
Arm, cam	RC2-0405-000CN	Internal components (2 of 4) on page 289
Arm, tag	RC2-0392-000CN	Internal components (2 of 4) on page 289
Bezel, control panel	See Control-panel bezels on page 255 .	Scanner components on page 275
Bushing	RC1-3665-000CN	Internal components (1 of 4) on page 287
Cartridge door assembly	RM1-4711-000CN	Cartridge door assembly on page 285
Cassette, tray 2 (250-sheet)	RM1-4251-000CN	Tray 2 cassette and tray 3 cassette/feeder on page 301
Cassette/feeder, tray 3 (250-sheet)	Q7556-67901	Tray 2 cassette and tray 3 cassette/feeder on page 301
Control panel, Asian fax	CB532-60102	Scanner components on page 275
Control panel, Western fax	CB532-60101	Scanner components on page 275
Convenience stapler AC inlet cable HP LaserJet M2727nfs	Q6501-60101	Convenience stapler components (HP LaserJet M2727nfs only) on page 279
Convenience stapler cassette (2-pack) HP LaserJet M2727nfs	Q7432-67001	Convenience stapler components (HP LaserJet M2727nfs only) on page 279
Convenience stapler cover door HP LaserJet M2727nfs	RC1-7523-000CN	Convenience stapler components (HP LaserJet M2727nfs only) on page 279
Convenience stapler mechanism HP LaserJet M2727nfs (replacement)	CB532-60105	Convenience stapler components (HP LaserJet M2727nfs only) on page 279

Table 7-35 Alphabetical parts list (continued)

Description	Part number	Table and page
Convenience stapler power supply bracket and strap HP LaserJet M2727nfs	CB532-67902	Convenience stapler components (HP LaserJet M2727nfs only) on page 279
Convenience stapler power supply HP LaserJet M2727nfs	Q7429-60501	Convenience stapler components (HP LaserJet M2727nfs only) on page 279
Cover dummy (stapler plug; HP LaserJet M2727nf)	RC1-7523-000CN	External covers and panels on page 283
Cover front	RC2-0330-000CN	External covers and panels on page 283
Cover left (with DIMM door)	RC1-4707-000CN	External covers and panels on page 283
Cover right (with dummy stapler cover)	RM1-4708-000CN	External covers and panels on page 283
Cover top	RC2-2940-000CN	External covers and panels on page 283
Duplexing assembly	RM1-4258-000CN	Duplexing assembly on page 303
Duplexing-drive assembly	RM1-4255-000CN	Duplexing-drive assembly on page 299
Engine-controller PCA (110 to 127 v)	RM1-4940-000CN	Engine-controller assembly on page 295
Engine-controller PCA (220 to 240 v)	RM1-4941-000CN	Engine-controller assembly on page 295
Fan	RK2-2082-000CN	Internal components (2 of 4) on page 289
Fax card EMEA ROHS	CC369-60001	Formatter, Fax card, HP jewel, and nameplate on page 281
Fax card US/AP ROHS	CC502-60001	Formatter, Fax card, HP jewel, and nameplate on page 281
Fax card/Formatter FFC	CB534-60117	Formatter, Fax card, HP jewel, and nameplate on page 281
Flag, paper sensing	RC1-3472-000CN	Internal components (1 of 4) on page 287
Formatter PCA	CC370-60001	Formatter, Fax card, HP jewel, and nameplate on page 281
Fuser (110 to 127 v)	RM1-4247-000CN	Fuser assembly on page 305
Fuser (220 to 240 v)	RM1-4248-000CN	Fuser assembly on page 305
Gear, 19T	RU5-0332-000CN	Internal components (1 of 4) on page 287
Gear, 29T	RU5-0331-000CN	Internal components (1 of 4) on page 287
Guide, cartridge left lower	RC2-0339-000CN	Internal components (4 of 4) on page 293

Table 7-35 Alphabetical parts list (continued)

Description	Part number	Table and page
Guide, cartridge left upper	RC2-0425-000CN	Internal components (4 of 4) on page 293
Guide, cartridge right lower	RC2-0346-000CN	Internal components (2 of 4) on page 289
Guide, cartridge right upper	RC1-0426-000CN	Internal components (2 of 4) on page 289
Guide, DC cable 2	RC2-1569-000CN	Internal components (1 of 4) on page 287
Holder, drawer connector	RC2-0396-000CN	Internal components (2 of 4) on page 289
Holder, fan	RC2-2946-000CN	Internal components (2 of 4) on page 289
Inner cover	RM1-4712-000CN	Cartridge door assembly on page 285
Input tray assembly HP LaserJet M2727	Q6500-60119	Scanner and ADF assemblies on page 273
Jewel, HP	7121-8285	Formatter, Fax card, HP jewel, and nameplate on page 281
Label, clear jam	RC2-2952-000CN	Internal components (3 of 4) on page 291
Label, fixing (fusing) pressure release	RC1-2953-000CN	Internal components (3 of 4) on page 291
Label, stapler prohibition	RC1-3794-000CN	External covers and panels on page 283
Label, transfer guide open	RC1-3796-000CN	Internal components (3 of 4) on page 291
Left bushing	RB2-2896-000CN	Internal components (1 of 4) on page 287
Main-drive assembly	RM1-4253-000CN	Main-drive assembly on page 297
Motor, DC	RK2-1567-000CN	Internal components (2 of 4) on page 289
MP left cam	RC2-0387-000CN	Internal components (4 of 4) on page 293
MP paper-pickup roller cover	RC2-0420-000CN	Internal components (4 of 4) on page 293
MP paper-pickup roller holder	RC2-0386-000CN	Internal components (4 of 4) on page 293
MP pickup roller	RL1-1525-000CN	Internal components (4 of 4) on page 293
MP right cam	RC2-0388-000CN	Internal components (4 of 4) on page 293
MP roller	RC1-0950-000CN	Internal components (4 of 4) on page 293

Table 7-35 Alphabetical parts list (continued)

Description	Part number	Table and page
MP separation pad (Tray 1)	RL1-1524-000CN	Internal components (1 of 4) on page 287
MP solenoid holder	RC2-0334-000CN	Internal components (4 of 4) on page 293
Nameplate HP LaserJet M2727nf	CB532-00009	Formatter, Fax card, HP jewel, and nameplate on page 281
Nameplate HP LaserJet M2727nfs	CB532-00003	Formatter, Fax card, HP jewel, and nameplate on page 281
Normal-rotation drive assembly	RM1-4256-000CN	Duplexing-drive assembly on page 299
Paper-feed guide assembly	RM1-4263-000CN	Internal components (1 of 4) on page 287
Paper-pickup drive shaft	RC1-3471-000CN	Internal components (1 of 4) on page 287
Paper-pickup gear assembly	RM1-1301-000CN	Internal components (1 of 4) on page 287
Paper-retaining assembly	RM1-4265-000CN	Internal components (1 of 4) on page 287
Paper-width sensor assembly	RM1-4245-000CN	Internal components (3 of 4) on page 291
PCA, Asian character display control panel (with spacer)	CB532-67904	Formatter, Fax card, HP jewel, and nameplate on page 281
Rear cover assembly	RM1-4270-000CN	External covers and panels on page 283
Registration assembly	RM1-4244-000CN	Internal components (3 of 4) on page 291
Reverse-rotation drive assembly	RM1-4257-000CN	Duplexing-drive assembly on page 299
Right bushing	RB2-2895-000CN	Internal components (1 of 4) on page 287
Roller, face down	RL1-0527-000CN	Internal components (1 of 4) on page 287
Roller, paper pickup	RL1-0540-000CN	Internal components (1 of 4) on page 287
Roller, paper-pickup idler	RC1-3470-000CN	Internal components (1 of 4) on page 287
Roller, transfer	RM1-4279-000CN	Internal components (3 of 4) on page 291
Scanner assembly (laser/scanner)	RM1-4262-000CN	Internal components (2 of 4) on page 289
Screw, RS M3X6	XA9-1495-000CN	Internal components (1 of 4) on page 287
Screw, RS M3X6	XA9-1495-000CN	Internal components (2 of 4) on page 289

Table 7-35 Alphabetical parts list (continued)

Description	Part number	Table and page
Screw, RS M3X6	XA9-1495-000CN	Internal components (3 of 4) on page 291
Screw, RS M3X6	XA9-1495-000CN	Internal components (4 of 4) on page 293
Screw, RS M3X6	XA9-1495-000CN	Engine-controller assembly on page 295
Screw, RS M3X8	XA9-1504-000CN	Internal components (2 of 4) on page 289
Screw, RS M3X8	XA9-1561-000CN	Internal components (2 of 4) on page 289
Screw, RS M3X8	XA9-1504-000CN	Internal components (3 of 4) on page 291
Screw, RS M3X8	XA9-1504-000CN	Internal components (4 of 4) on page 293
Screw, tap binding head M3X8	XB4-7300-000CN	Internal components (3 of 4) on page 291
Screw, tap M3X6	XA9-1503-000CN	Internal components (1 of 4) on page 287
Screw, tap M3X6	XA9-1503-000CN	Internal components (2 of 4) on page 289
Screw, tapping binding head M3X8	XB4-7300-000CN	Internal components (1 of 4) on page 287
Screw, tapping truss	XB4-7401-000CN	Cartridge door assembly on page 285
Screw, tapping truss head M4X10	XB4-7401-000CN	Internal components (1 of 4) on page 287
Screw, tapping truss head M4X10	XB4-7401-005CN	Internal components (3 of 4) on page 291
Screw, toothed washer M4X6	XB2-7400-606CN	Internal components (4 of 4) on page 293
Screw, TP M3X8	XA9-1648-000CN	Internal components (2 of 4) on page 289
Screw, w/washer M3X8	XA9-1420-000CN	Internal components (3 of 4) on page 291
Screw, w/washer M3X8	XA9-1420-000CN	Internal components (4 of 4) on page 293
Screw, w/washer M3X8	XA9-1420-000CN	Engine-controller assembly on page 295
Screw, w/washer M4X12	XA9-1422-000CN	Internal components (3 of 4) on page 291
Separation pad base	RC2-0419-000CN	Internal components (1 of 4) on page 287
Separation pad, tray 2 and optional tray 3	RM1-1292-000CN	Tray 2 cassette and tray 3 cassette/feeder on page 301

Table 7-35 Alphabetical parts list (continued)

Description	Part number	Table and page
Shutter link assembly	RM1-1321-000CN	Internal components (3 of 4) on page 291
Size-change assembly	RM1-1318-000CN	Duplexing assembly on page 303
Solenoid (SL1)	RK2-0424-000CN	Internal components (2 of 4) on page 289
Solenoid (SL2)	RK2-1587-000CN	Internal components (4 of 4) on page 293
Solenoid (SL3)	RK2-0910-000CN	Internal components (2 of 4) on page 289
Speaker assembly	RM1-4943-000CN	Internal components (1 of 4) on page 287
Spring, compression	RU5-2894-000CN	Internal components (1 of 4) on page 287
Spring, compression	RU5-2323-000CN	Internal components (1 of 4) on page 287
SSA PKG FGI ASSY (scanner flatbed assembly)	CB532-67905	Scanner and ADF assemblies on page 273
Top-sensor assembly	RM1-1283-000CN	Internal components (3 of 4) on page 291

Numerical parts list

Table 7-36 Numerical parts list

Part number	Description	Table and page
5851-2559	ADF pickup roller assembly	ADF components on page 277
7121-8285	Jewel, HP	Formatter, Fax card, HP jewel, and nameplate on page 281
C7309-40153	ADF cleanout part	ADF components on page 277
CB532-00003	Nameplate HP LaserJet M2727nfs	Formatter, Fax card, HP jewel, and nameplate on page 281
CB532-00009	Nameplate HP LaserJet M2727nf	Formatter, Fax card, HP jewel, and nameplate on page 281
CB532-60101	Control panel, Western fax	Scanner components on page 275
CB532-60102	Control panel, Asian fax	Scanner components on page 275
CB532-60105	Convenience stapler mechanism HP LaserJet M2727nfs (replacement)	Convenience stapler components (HP LaserJet M2727nfs only) on page 279
CB532-67902	Convenience stapler power supply bracket and strap HP LaserJet M2727nfs	Convenience stapler components (HP LaserJet M2727nfs only) on page 279
CB532-67903	ADF PKG FGI ASSY (automatic document feeder)	Scanner and ADF assemblies on page 273
CB532-67904	PCA, Asian character display control panel (with spacer)	Formatter, Fax card, HP jewel, and nameplate on page 281
CB532-67905	SSA PKG FGI ASSY (scanner flatbed assembly)	Scanner and ADF assemblies on page 273
CB534-60117	Fax card/Formatter FFC	Formatter, Fax card, HP jewel, and nameplate on page 281
CC369-60001	Fax card EMEA ROHS	Formatter, Fax card, HP jewel, and nameplate on page 281
CC370-60001	Formatter PCA	Formatter, Fax card, HP jewel, and nameplate on page 281
CC502-60001	Fax card US/AP ROHS	Formatter, Fax card, HP jewel, and nameplate on page 281
Q2665-60125	ADF separation pad	ADF components on page 277
Q3948-67902	ADF flag replacement kit	ADF components on page 277
Q3948-67905	ADF hinge replacement kit	Scanner and ADF assemblies on page 273
Q6500-60119	Input tray assembly HP LaserJet M2727	Scanner and ADF assemblies on page 273
Q6500-67901	ADF cover replacement kit	ADF components on page 277
Q6500-67904	ADF window replacement kit	Scanner components on page 275

Table 7-36 Numerical parts list (continued)

Part number	Description	Table and page
Q6501-60101	Convenience stapler AC inlet cable HP LaserJet M2727nfs	Convenience stapler components (HP LaserJet M2727nfs only) on page 279
Q7429-60501	Convenience stapler power supply HP LaserJet M2727nfs	Convenience stapler components (HP LaserJet M2727nfs only) on page 279
Q7432-67001	Convenience stapler cassette (2-pack) HP LaserJet M2727nfs	Convenience stapler components (HP LaserJet M2727nfs only) on page 279
Q7556-67901	Cassette/feeder, tray 3 (250-sheet)	Tray 2 cassette and tray 3 cassette/feeder on page 301
RB2-2895-000CN	Right bushing	Internal components (1 of 4) on page 287
RB2-2896-000CN	Left bushing	Internal components (1 of 4) on page 287
RC1-0426-000CN	Guide, cartridge right upper	Internal components (2 of 4) on page 289
RC1-0950-000CN	MP roller	Internal components (4 of 4) on page 293
RC1-2953-000CN	Label, fixing (fusing) pressure release	Internal components (3 of 4) on page 291
RC1-3470-000CN	Roller, paper-pickup idler	Internal components (1 of 4) on page 287
RC1-3471-000CN	Paper-pickup drive shaft	Internal components (1 of 4) on page 287
RC1-3472-000CN	Flag, paper sensing	Internal components (1 of 4) on page 287
RC1-3665-000CN	Bushing	Internal components (1 of 4) on page 287
RC1-3794-000CN	Label, stapler prohibition	External covers and panels on page 283
RC1-3796-000CN	Label, transfer guide open	Internal components (3 of 4) on page 291
RC1-4707-000CN	Cover left (with DIMM door)	External covers and panels on page 283
RC1-7523-000CN	Convenience stapler cover door HP LaserJet M2727nfs	Convenience stapler components (HP LaserJet M2727nfs only) on page 279
RC1-7523-000CN	Cover dummy (stapler plug; HP LaserJet M2727nf)	External covers and panels on page 283
RC2-0330-000CN	Cover front	External covers and panels on page 283
RC2-0334-000CN	MP solenoid holder	Internal components (4 of 4) on page 293
RC2-0339-000CN	Guide, cartridge left lower	Internal components (4 of 4) on page 293

Table 7-36 Numerical parts list (continued)

Part number	Description	Table and page
RC2-0346-000CN	Guide, cartridge right lower	Internal components (2 of 4) on page 289
RC2-0386-000CN	MP paper-pickup roller holder	Internal components (4 of 4) on page 293
RC2-0387-000CN	MP left cam	Internal components (4 of 4) on page 293
RC2-0388-000CN	MP right cam	Internal components (4 of 4) on page 293
RC2-0392-000CN	Arm, tag	Internal components (2 of 4) on page 289
RC2-0396-000CN	Holder, drawer connector	Internal components (2 of 4) on page 289
RC2-0405-000CN	Arm, cam	Internal components (2 of 4) on page 289
RC2-0419-000CN	Separation pad base	Internal components (1 of 4) on page 287
RC2-0420-000CN	MP paper-pickup roller cover	Internal components (4 of 4) on page 293
RC2-0425-000CN	Guide, cartridge left upper	Internal components (4 of 4) on page 293
RC2-1569-000CN	Guide, DC cable 2	Internal components (1 of 4) on page 287
RC2-2940-000CN	Cover top	External covers and panels on page 283
RC2-2946-000CN	Holder, fan	Internal components (2 of 4) on page 289
RC2-2952-000CN	Label, clear jam	Internal components (3 of 4) on page 291
RK2-0424-000CN	Solenoid (SL1)	Internal components (2 of 4) on page 289
RK2-0910-000CN	Solenoid (SL3)	Internal components (2 of 4) on page 289
RK2-1567-000CN	Motor, DC	Internal components (2 of 4) on page 289
RK2-1587-000CN	Solenoid (SL2)	Internal components (4 of 4) on page 293
RK2-2082-000CN	Fan	Internal components (2 of 4) on page 289
RL1-0527-000CN	Roller, face down	Internal components (1 of 4) on page 287
RL1-0540-000CN	Roller, paper pickup	Internal components (1 of 4) on page 287
RL1-1524-000CN	MP separation pad (Tray 1)	Internal components (1 of 4) on page 287

Table 7-36 Numerical parts list (continued)

Part number	Description	Table and page
RL1-1525-000CN	MP pickup roller	Internal components (4 of 4) on page 293
RM1-1283-000CN	Top-sensor assembly	Internal components (3 of 4) on page 291
RM1-1292-000CN	Separation pad, tray 2 and optional tray 3	Tray 2 cassette and tray 3 cassette/feeder on page 301
RM1-1301-000CN	Paper-pickup gear assembly	Internal components (1 of 4) on page 287
RM1-1318-000CN	Size-change assembly	Duplexing assembly on page 303
RM1-1321-000CN	Shutter link assembly	Internal components (3 of 4) on page 291
RM1-4244-000CN	Registration assembly	Internal components (3 of 4) on page 291
RM1-4245-000CN	Paper-width sensor assembly	Internal components (3 of 4) on page 291
RM1-4247-000CN	Fuser (110 to 127 v)	Fuser assembly on page 305
RM1-4248-000CN	Fuser (220 to 240 v)	Fuser assembly on page 305
RM1-4251-000CN	Cassette, tray 2 (250-sheet)	Tray 2 cassette and tray 3 cassette/feeder on page 301
RM1-4253-000CN	Main-drive assembly	Main-drive assembly on page 297
RM1-4255-000CN	Duplexing-drive assembly	Duplexing-drive assembly on page 299
RM1-4256-000CN	Normal-rotation drive assembly	Duplexing-drive assembly on page 299
RM1-4257-000CN	Reverse-rotation drive assembly	Duplexing-drive assembly on page 299
RM1-4258-000CN	Duplexing assembly	Duplexing assembly on page 303
RM1-4262-000CN	Scanner assembly (laser/scanner)	Internal components (2 of 4) on page 289
RM1-4263-000CN	Paper-feed guide assembly	Internal components (1 of 4) on page 287
RM1-4265-000CN	Paper-retaining assembly	Internal components (1 of 4) on page 287
RM1-4270-000CN	Rear cover assembly	External covers and panels on page 283
RM1-4279-000CN	Roller, transfer	Internal components (3 of 4) on page 291
RM1-4708-000CN	Cover right (with dummy stapler cover)	External covers and panels on page 283
RM1-4711-000CN	Cartridge door assembly	Cartridge door assembly on page 285

Table 7-36 Numerical parts list (continued)

Part number	Description	Table and page
RM1-4712-000CN	Inner cover	Cartridge door assembly on page 285
RM1-4940-000CN	Engine-controller PCA (110 to 127 v)	Engine-controller assembly on page 295
RM1-4941-000CN	Engine-controller PCA (220 to 240 v)	Engine-controller assembly on page 295
RM1-4943-000CN	Speaker assembly	Internal components (1 of 4) on page 287
RU5-0331-000CN	Gear, 29T	Internal components (1 of 4) on page 287
RU5-0332-000CN	Gear, 19T	Internal components (1 of 4) on page 287
RU5-2323-000CN	Spring, compression	Internal components (1 of 4) on page 287
RU5-2894-000CN	Spring, compression	Internal components (1 of 4) on page 287
See Control-panel bezels on page 255 .	Bezel, control panel	Scanner components on page 275
XA9-1420-000CN	Screw, w/washer M3X8	Internal components (3 of 4) on page 291
XA9-1420-000CN	Screw, w/washer M3X8	Internal components (4 of 4) on page 293
XA9-1420-000CN	Screw, w/washer M3X8	Engine-controller assembly on page 295
XA9-1422-000CN	Screw, w/washer M4X12	Internal components (3 of 4) on page 291
XA9-1495-000CN	Screw, RS M3X6	Internal components (1 of 4) on page 287
XA9-1495-000CN	Screw, RS M3X6	Internal components (2 of 4) on page 289
XA9-1495-000CN	Screw, RS M3X6	Internal components (3 of 4) on page 291
XA9-1495-000CN	Screw, RS M3X6	Internal components (4 of 4) on page 293
XA9-1495-000CN	Screw, RS M3X6	Engine-controller assembly on page 295
XA9-1503-000CN	Screw, tap M3X6	Internal components (1 of 4) on page 287
XA9-1503-000CN	Screw, tap M3X6	Internal components (2 of 4) on page 289
XA9-1504-000CN	Screw, RS M3X8	Internal components (2 of 4) on page 289
XA9-1504-000CN	Screw, RS M3X8	Internal components (3 of 4) on page 291

Table 7-36 Numerical parts list (continued)

Part number	Description	Table and page
XA9-1504-000CN	Screw, RS M3X8	Internal components (4 of 4) on page 293
XA9-1561-000CN	Screw, RS M3X8	Internal components (2 of 4) on page 289
XA9-1648-000CN	Screw, TP M3X8	Internal components (2 of 4) on page 289
XB2-7400-606CN	Screw, toothed washer M4X6	Internal components (4 of 4) on page 293
XB4-7300-000CN	Screw, tapping binding head M3X8	Internal components (1 of 4) on page 287
XB4-7300-000CN	Screw, tap binding head M3X8	Internal components (3 of 4) on page 291
XB4-7401-000CN	Screw, tapping truss	Cartridge door assembly on page 285
XB4-7401-000CN	Screw, tapping truss head M4X10	Internal components (1 of 4) on page 287
XB4-7401-005CN	Screw, tapping truss head M4X10	Internal components (3 of 4) on page 291

