
2 Parts and diagrams

- [HP service and support](#)
- [Order parts, accessories, and supplies](#)
- [Assembly locations](#)
- [How to use the parts lists and diagrams](#)
- [Document feeder and image scanner](#)
- [Covers, printer base](#)
- [Internal components, printer base](#)
- [550-sheet paper feeder](#)
- [Alphabetical parts list](#)
- [Numerical parts list](#)

HP service and support

Learn about HP access to additional service and support information.

Additional service and support for channel partners

Channel partners, go to partner.hp.com, and then use the steps below to access the HP Web-based Interactive Search Engine (WISE).

Access WISE for Channel partners

1. Select **Services & Support**, and then select **Services Delivery**.
2. Select **Technical Support**, and then select **Technical Documentation**.

Find information about the following topics

- Service manuals
- Service advisories
- Up-to-date control panel message (CPMD) troubleshooting
- Install and configure
- Printer specifications
- Solutions for printer issues and emerging issues
- Remove and replace part instructions and videos
- Warranty and regulatory information

Additional service and support for HP internal personnel

HP internal personnel, go to one of the following Web-based Interactive Search Engine (WISE) sites:

Americas (AMS)

- <https://support.hp.com/wise/home/ams-enWISE> - English
- <https://support.hp.com/wise/home/ams-esWISE> - Spanish
- <https://support.hp.com/wise/home/ams-ptWISE> - Portuguese
- <https://support.hp.com/wise/home/ams-frWISE> - French

Asia Pacific / Japan (APJ)

- <https://support.hp.com/wise/home/apj-enWISE> - English
- <https://support.hp.com/wise/home/apj-jaWISE> - Japanese
- <https://support.hp.com/wise/home/apj-koWISE> - Korean
- <https://support.hp.com/wise/home/apj-zh-HansWISE> - Chinese (simplified)

- [https://support.hp.com/wise/home/apj-zh-HantWISE - Chinese \(traditional\)](https://support.hp.com/wise/home/apj-zh-HantWISE - Chinese (traditional))
- <https://support.hp.com/wise/home/apj-thWISE - Thai>

Europe / Middle East / Africa (EMEA)

- <https://support.hp.com/wise/home/emea-enWISE - English>

Order parts, accessories, and supplies

Ordering

Order supplies and paper	www.hp.com/go/suresupply
Order genuine HP parts or accessories	www.hp.com/buy/parts or partsurfer.hp.com
Order through service or support providers	Contact an HP-authorized service or support provider.
Order using the HP Embedded Web Server (EWS)	To access, in a supported Web browser on your computer, enter the printer IP address or host name in the address/URL field. The EWS contains a link to the HP SureSupply Web site, which provides options for purchasing Original HP supplies.

Orderable parts

Not all of the parts shown in the diagrams in this chapter can be ordered. Refer to the table following the diagram or the parts lists at the end of this chapter to determine if a part is orderable.

Whole unit replacement (WUR)

Table 2-1 HP LaserJet Pro M304/M305/M404/M405

Part number	Printer
W1A51-69001	HP LaserJet Pro M404d; Prod-Exchange M404d 220V EMEA
W1A52-69001	HP LaserJet Pro M404n; Prod-Exchange M404n 220V AP(exclude CN)
W1A52-69002	HP LaserJet Pro M404n; Prod-Exchange M404n 110V Br
W1A52-69003	HP LaserJet Pro M404n; Prod-Exchange M404n 110V NAR/TW
W1A52-69004	HP LaserJet Pro M404n; Prod-Exchange M404n 220V EMEA
W1A53-69001	HP LaserJet Pro M404dn; Prod-Exchange M404dn 220V AP (exclude CN)
W1A53-69002	HP LaserJet Pro M404dn; Prod-Exchange M404dn 110V Br
W1A53-69003	HP LaserJet Pro M404dn; Prod-Exchange M404dn 110V NAR/TW
W1A53-69004	HP LaserJet Pro M404dn; Prod-Exchange M404dn 220V LAR
W1A53-69005	HP LaserJet Pro M404dn; Prod-Exchange M404dn 220V EMEA
W1A56-69001	HP LaserJet Pro M404dw; Prod-Exchange M404dw 220V AP(exclude CN)
W1A56-69002	HP LaserJet Pro M404dw; Prod-Exchange M404dw 110V NAR
W1A56-69003	HP LaserJet Pro M404dw; Prod-Exchange M404dw 220V EMEA
W1A57-69001	HP LaserJet Pro M405n; Prod-Replace New M405n 220V CN
W1A57-69002	HP LaserJet Pro M405n; Prod-Replace New M405n 220V India
W1A58-69001	HP LaserJet Pro M405d; Prod-Replace New M405d 220V CN
W1A58-69002	HP LaserJet Pro M405d; Prod-Replace New M405d 220V India

Table 2-1 HP LaserJet Pro M304/M305/M404/M405 (continued)

Part number	Printer
W1A58-69003	HP LaserJet Pro M405d; Prod-Replace New M405d 220V China Government SKU
W1A59-69001	HP LaserJet Pro M405dn; Prod-Replace New M405dn 220V India
W1A59-69002	HP LaserJet Pro M405dn; Prod-Replace New M405dn 220V China Government SKU
W1A60-69001	HP LaserJet Pro M405dw; Prod-Replace New M405dw 220V CN
W1A60-69002	HP LaserJet Pro M405dw; Prod-Replace New M405dw 220V India
W1A46-69001	Low PPM 300 Series; Prod-Replace New M305d 220V CN
W1A47-69001	Low PPM 300 Series; Prod-Replace New M305dn 220V China Government SKU
W1A66-69001	Low PPM 300 Series; Prod-Replace New M304a EMEA

Table 2-2 HP LaserJet Pro MFP M329/M428/M429

Part number	Printer
W1A28-69001	HP LaserJet Pro MFP M428dw; Prod-Exchange M428dw 110V NAR
W1A28-69002	HP LaserJet Pro MFP M428dw; Prod-Exchange M428dw 110V Brazil
W1A28-69003	HP LaserJet Pro MFP M428dw; Prod-Exchange M428dw 220V EMEA
W1A29-69001	HP LaserJet Pro MFP M428fdn; Prod-Exchange M428fdn 220V AP(exclude CN)
W1A29-69002	HP LaserJet Pro MFP M428fdn; Prod-Exchange M428fdn 110V NAR/TW
W1A29-69003	HP LaserJet Pro MFP M428fdn; Prod-Exchange M428fdn 220V EMEA
W1A30-69001	HP LaserJet Pro MFP M428fdw; Prod-Exchange M428fdw 220V AP(exclude CN)
W1A30-69002	HP LaserJet Pro MFP M428fdw; Prod-Exchange M428fdw 110V NAR/TW
W1A30-69003	HP LaserJet Pro MFP M428fdw; Prod-Exchange M428fdw 220V LAR
W1A30-69004	HP LaserJet Pro MFP M428fdw; Prod-Exchange M428fdw 110V Brazil
W1A30-69005	HP LaserJet Pro MFP M428fdw; Prod-Exchange M428fdw 220V EMEA
W1A31-69001	HP LaserJet Pro MFP M428dw (Russia); Prod-Exchange M428dw 220V Russia
W1A32-69001	HP LaserJet Pro MFP M428fdn (Russia); Prod-Exchange M428fdn 220V Russia
W1A33-69001	HP LaserJet Pro MFP M429dw; Prod-Replace New M429dw 220V CN
W1A33-69002	HP LaserJet Pro MFP M429dw; Prod-Replace New M429dw 220V India
W1A34-69001	HP LaserJet Pro MFP M429fdn; Prod-Replace New M429fdn 220V CN
W1A34-69002	HP LaserJet Pro MFP M429fdn; Prod-Replace New M429fdn 220V India
W1A35-69001	HP LaserJet Pro MFP M429fdw; Prod-Replace New M429fdw 220V CN
W1A35-69002	HP LaserJet Pro MFP M429fdw; Prod-Replace New M429fdw 220V India
W1A23-69001	Low PPM 300 Series; Prod-Replace New M329dn 220 CN
W1A24-69001	Low PPM 300 Series; Prod-Replace New M329dw 220 CN

Supplies

Following are the part numbers for the supplies available for the printers.

Table 2-3 Supplies

Item	Description	Cartridge number	Part number
Supplies			
Black toner cartridge	Standard-capacity toner cartridge (M404/M428/M304 EMEA)	59A	CF259-67901
Black toner cartridge	Standard-capacity toner cartridge (M404/M428 AMS)	58A	CF258-67901
Black toner cartridge	Standard-capacity toner cartridge (M404/M428 APJ)	76A	CF276-67901
Black toner cartridge	Standard-capacity toner cartridge (M405/M429/M305 CH/IN)	77A	CF277-67901
Black toner cartridge	High-capacity toner cartridge (M404/M428/M304 EMEA)	59X	CF259-67902
Black toner cartridge	High-capacity toner cartridge (M404/M428 AMS)	58X	CF258-67902
Black toner cartridge	High-capacity toner cartridge (M404/M428 APJ)	76X	CF276-67902
Black toner cartridge	High-capacity toner cartridge (M405/M429/M305 CH/IN)	77X	CF277-67902

Accessories

Following are the part numbers for the accessories available for the printer.

Table 2-4 Accessories

Item	Part number
550-sheet paper feeder (optional Tray 3)	D9P29A-69001

Customer self-repair parts

Customer Self-Repair (CSR) parts are available for many HP LaserJet printers to reduce repair time. More information about the CSR program and benefits can be found at www.hp.com/go/csr-support and www.hp.com/go/csr-faq.

Genuine HP replacement parts can be ordered at www.hp.com/buy/parts or by contacting an HP-authorized service or support provider. When ordering, one of the following will be needed: part number, serial number (found on back of printer), printer number, or printer name.

- Parts listed as **Mandatory** self-replacement are to be installed by customers, unless you are willing to pay HP service personnel to perform the repair. For these parts, on-site or return-to-depot support is not provided under the HP printer warranty.
- Parts listed as **Optional** self-replacement can be installed by HP service personnel at your request for no additional charge during the printer warranty period.

Item	Description	Self-replacement options	Part number
250-sheet paper input tray	Replacement cassette for Tray 2	Mandatory	RM2-5392-010CN
Optional 550-sheet accessory tray	Replacement cassette for Tray 3	Mandatory	RM2-5413-000CN
Tray 2 separation roller assembly	Tray 2 separation roller	Mandatory	RM2-5397-000CN
Optional Tray 3 separation roller assembly	Optional Tray 3 separation roller	Mandatory	RM2-5745-000CN
Multipurpose roller	Multipurpose roller	Mandatory	RL2-0656-000CN
Tray 2 paper pickup roller assembly	Tray 2 pickup roller	Mandatory	RM2-5452-000CN
Optional Tray 3 paper pickup roller assembly	Optional Tray 3 pickup roller	Mandatory	RM2-5741-000CN

Related documentation and software

HP service personnel, go to one of the following Web-based Interactive Search Engines (WISE) sites:

AMS

- <https://support.hp.com/wise/home/ams-en>
- <https://support.hp.com/wise/home/ams-es>
- <https://support.hp.com/wise/home/ams-pt>
- <https://support.hp.com/wise/home/ams-fr>

APJ

- <https://support.hp.com/wise/home/apj-en>
- <https://support.hp.com/wise/home/apj-ja>
- <https://support.hp.com/wise/home/apj-ko>
- <https://support.hp.com/wise/home/apj-zh-Hans>
- <https://support.hp.com/wise/home/apj-zh-Hant>
- <https://support.hp.com/wise/home/apj-th>

EMEA

- <https://support.hp.com/wise/home/emea-en>

Channel partners, go to partner.hp.com.

Channel partners, access training materials in the HP University and Partner Learning Center at <https://content.ext.hp.com/sites/LMS/HPU.page>.

Assembly locations

- [HP LaserJet Pro M304/M305/M404/M405](#)
- [HP LaserJet Pro MFP M329/M4284/M429](#)

HP LaserJet Pro M304/M305/M404/M405

Figure 2-1 Printer front view (SFP)

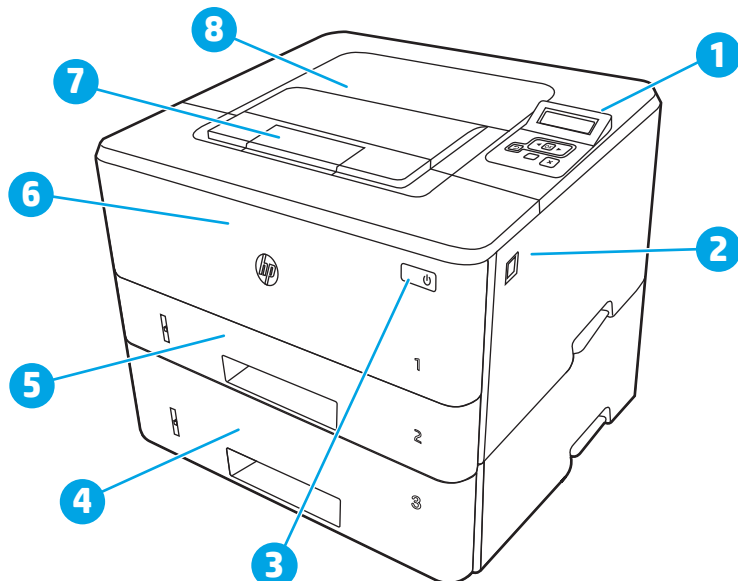


Table 2-5 Printer front view (SFP)

Item	Description
1	2-line backlit control panel
2	Front door release button (access to the toner cartridge)
3	Power on/off button
4	Tray 3 (optional)
5	Tray 2
6	Tray 1
7	Output bin extension
8	Output bin

Figure 2-2 Printer rear view (SFP)

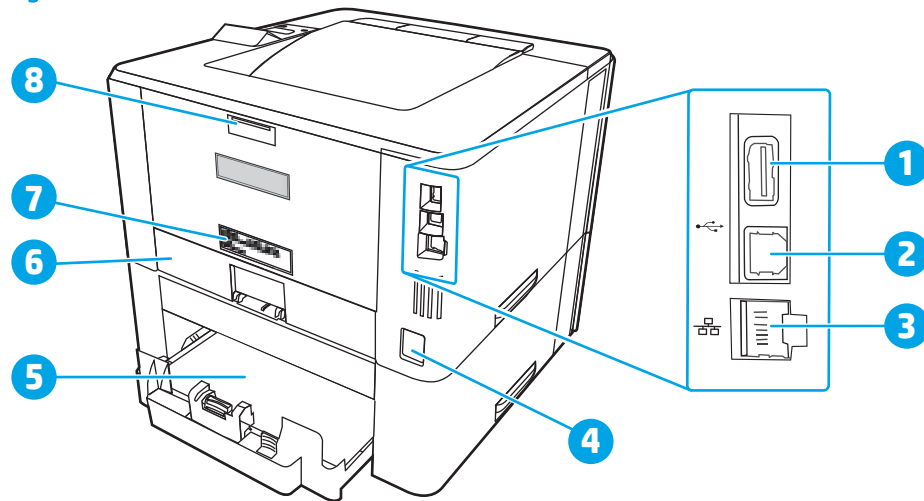


Table 2-6 Printer rear view (SFP)

Item	Description
1	USB port (for job storage and private printing) This port might be covered.
2	USB interface port
3	Ethernet port (network models only)
4	Power connection
5	Tray 3 (optional) Tray 3 extends when legal-size or A4-size paper is loaded.
6	Dust cover for Tray 2 Dust cover flips up when legal-size of A4-size paper is loaded.
7	Serial number and product number label
8	Rear door (access for clearing jams)

HP LaserJet Pro MFP M329/M4284/M429

Figure 2-3 Printer front view (MFP)

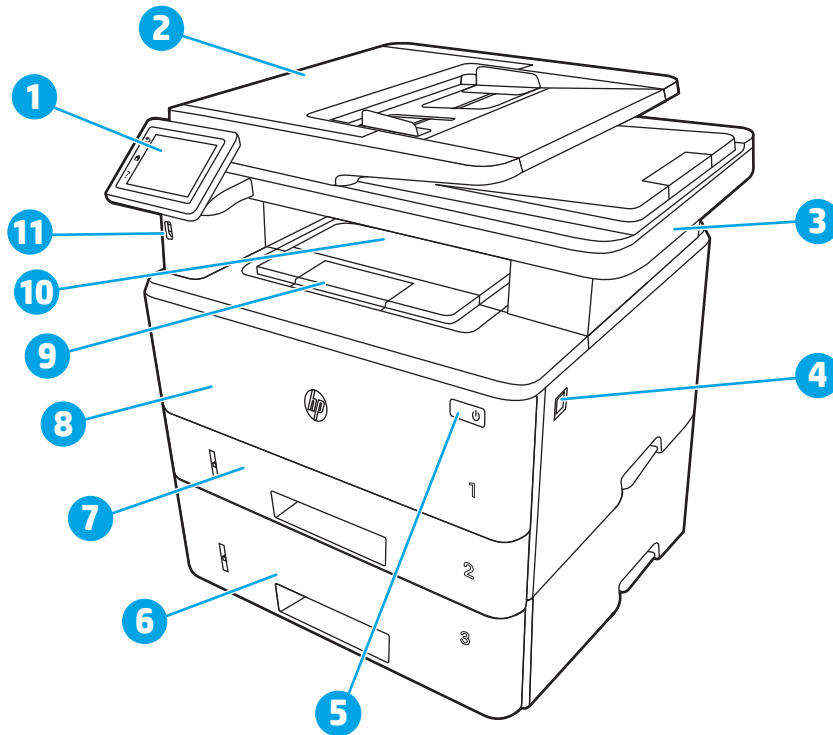


Table 2-7 Printer front view (MFP)

Item	Description
1	Control panel (tilts up for easier viewing)
2	Document feeder
3	Scanner
4	Front door release button (access to the toner cartridge)
5	Power on/off button
6	Tray 3 (optional)
7	Tray 2
8	Tray 1
9	Output bin extension
10	Output bin
11	Walk-up USB port (for printing and scanning without a computer)

Figure 2-4 Printer rear view (MFP)

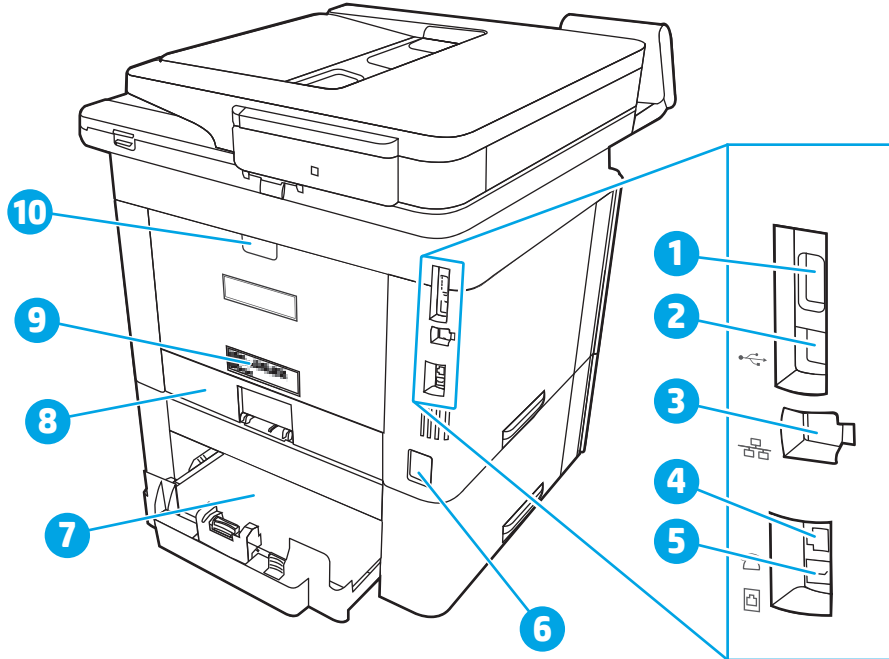




Table 2-8 Printer rear view (MFP)

Item	Description
1	USB port (for job storage and private printing) This port might be covered.
2	USB interface port
3	Ethernet port
4	Telephone "line out" port (for attaching an extension phone, answering machine, or other device)
5	Fax "line in" port (for attaching the fax line to the printer)
6	Power connection
7	Tray 3 (optional) Tray 3 extends when legal-size or A4-size paper is loaded.
8	Dust cover for Tray 2 Dust cover flips up when legal-size of A4-size paper is loaded.
9	Serial number and product number label
10	Rear door (access for clearing jams)


How to use the parts lists and diagrams

The figures in this chapter show the major subassemblies in the printer and their component parts. A parts list table follows each exploded view assembly diagram. Each table lists the item number, the associated part number, and the description of each part. If a part is not listed in the table, then it is not a field replacement unit (FRU).

 **CAUTION:** Be sure to order the correct part. When looking for part numbers for electrical components, pay careful attention to the voltage that is listed in the description column. Doing so will ensure that the part number selected is for the correct model.

 **NOTE:** In this manual, the abbreviation “PCA” stands for “printed circuit-board assembly.” Components described as a PCA might consist of a single circuit board or a circuit board plus other parts, such as cables and sensors.

Document feeder and image scanner

 **NOTE:** Parts listed in this section are for the M329, M428, and M429 printers.

Main assemblies

Figure 2-5 Main assembly (document feeder and image scanner)

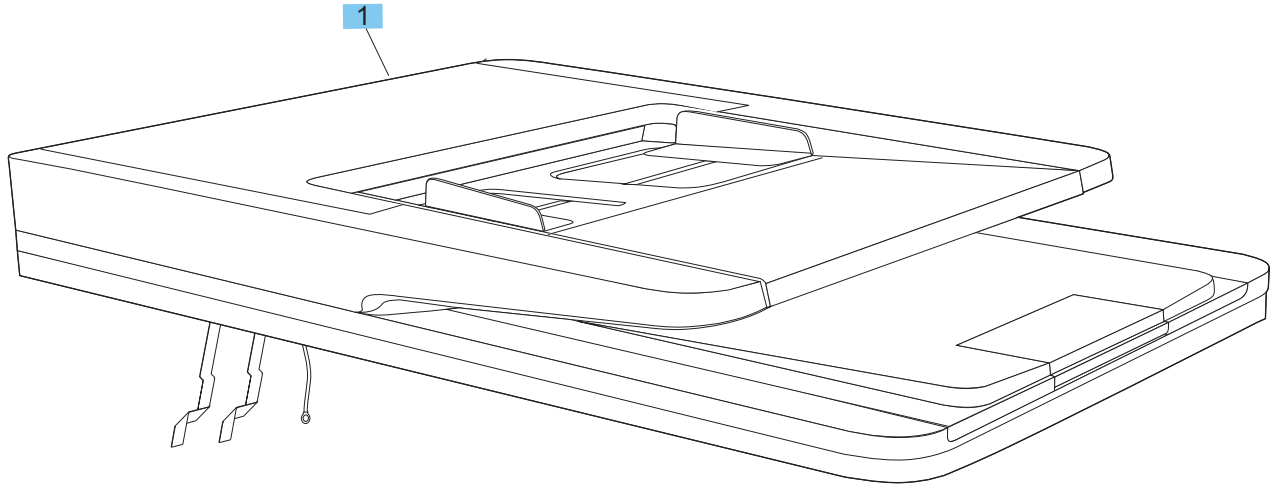


Table 2-9 Main assembly (document feeder and image scanner)

Ref	Description	Part number	Qty
1	Scanner/ADF-Pilderiver assembly (simplex models)	W1A73-60108	1
1	Scanner/ADF-Pilderiver assembly (duplex models)	W1A73-60109	1

Covers, printer base

Covers (M304/M305/M404/M405)

Figure 2-6 Covers (M304/M305/M404/M405)

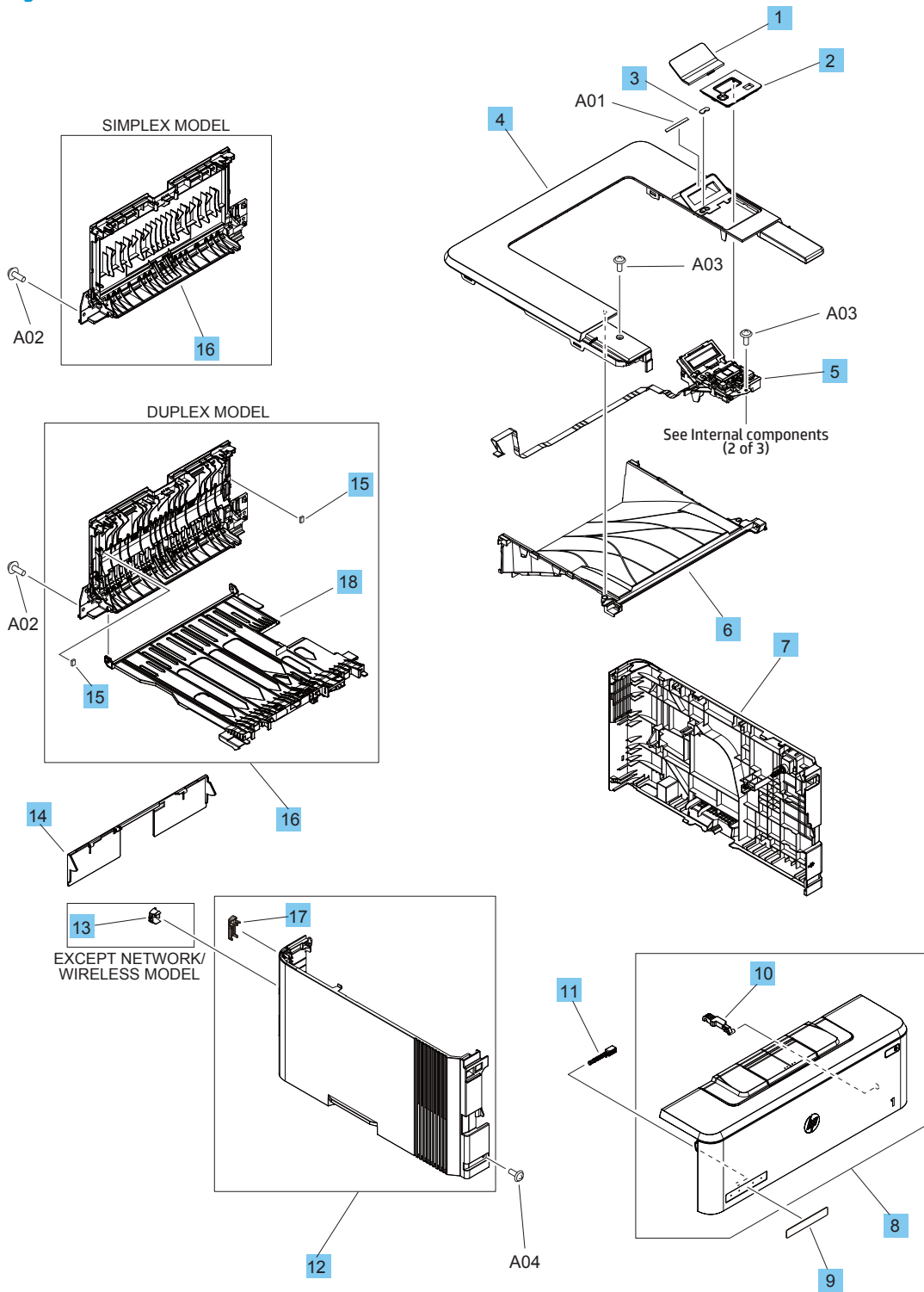


Table 2-10 Covers (M304/M305/M404/M405)

Ref	Description	Part number	Qty
1	Cover, indication	RL2-0675-000CN	1
2	Cover, operator (non-wireless models)	RC4-3312-000CN	1
2	Cover, operator (wireless models)	RC4-3322-000CN	1
3	Guide, led, light	RC4-3311-000CN	1
4	Cover, top	RC4-2956-000CN	1
5	Control panel assembly (non-wireless models)	RM2-5391-000CN	1
5	Control panel assembly (wireless models)	RM2-5424-000CN	1
6	Tray, paper delivery (non-wireless models)	RC4-3231-000CN	1
6	Tray, paper delivery (wireless models)	RM2-2581-000CN	1
7	Cover, right assembly	RM2-2578-000CN	1
8	Cartridge door assembly	RM2-2562-000CN	1
9	Label, name M404n	RC5-5038-000CN	1
9	Label, name M404d	RC5-5049-000CN	1
9	Label, name M404dn	RC5-5039-000CN	1
9	Label, name M404dw	RC5-5041-000CN	1
9	Label, name M405n	RC5-5042-000CN	1
9	Label, name M405d	RC5-5043-000CN	1
9	Label, name M405dn	RC5-5044-000CN	1
9	Label, name M405dw	RC5-5045-000CN	1
9	Label, name M305d	RC5-5046-000CN	1
9	Label, name M305dn	RC5-5047-000CN	1
9	Label, name M304a	RC5-5048-000CN	1
10	Link, pressure release	RC4-4479-000CN	1
11	Shaft, support	RC4-3002-000CN	1
12	Cover, left	RL2-3251-000CN	1
13	Cover, network (non-network/wireless models)	RC4-2907-000CN	1
14	Cover, cassette rear	RC4-3082-000CN	1
15	Sheet, damper (duplex models)	RC2-6075-000CN	2
16	Rear door assembly (simplex models)	RM2-5430-000CN	1
16	Rear door assembly (duplex models)	RM2-5405-000CN	1
17	Cover, I/O small	RC4-3298-000CN	1
18	Paper re-pickup assembly (duplex models)	RM2-5666-000CN	1
Not shown	HP logo jewel	7121-8686	1

Covers (M329/M428/M429)

Figure 2-7 Covers (M329/M428/M429)

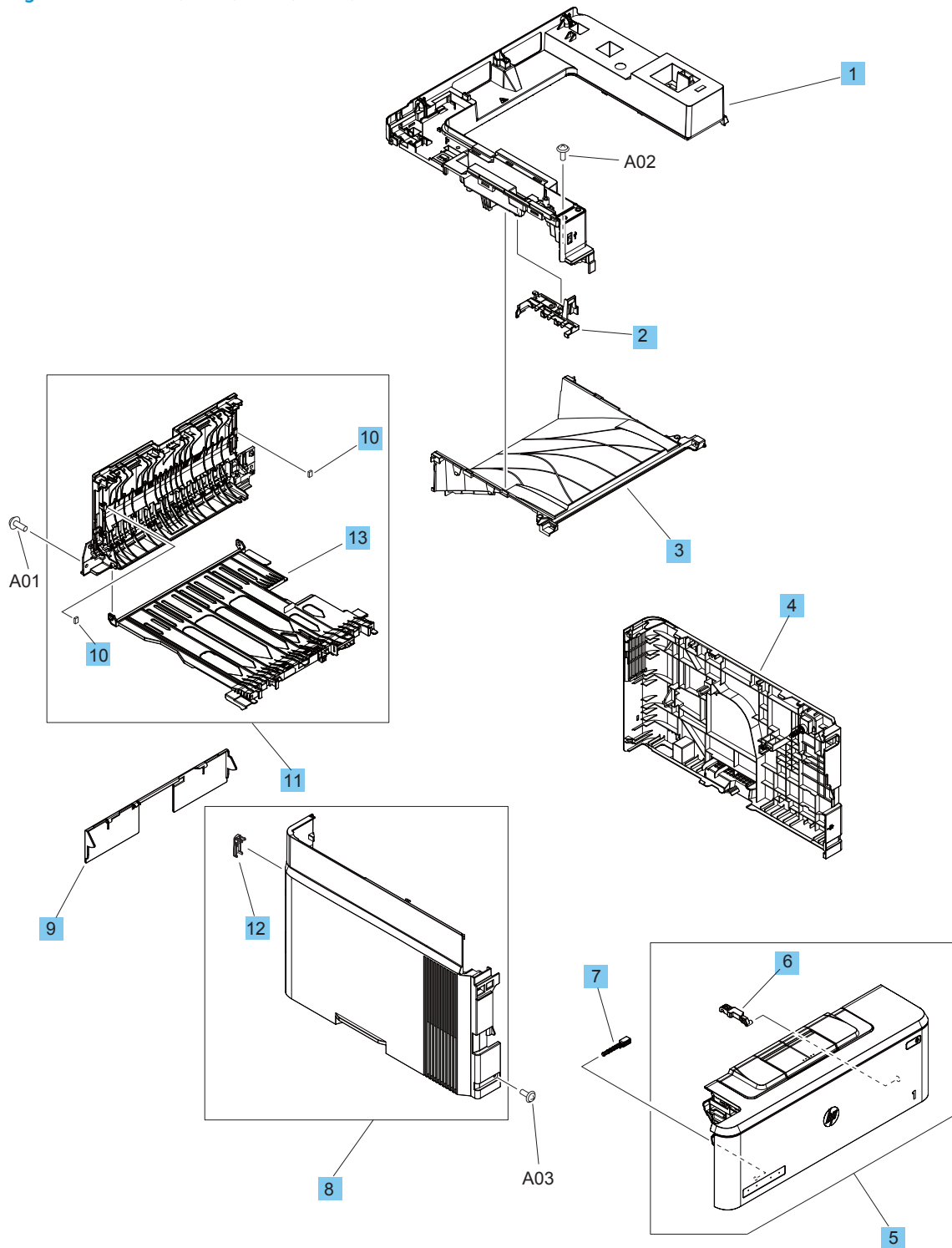


Table 2-11 Covers (M329/M428/M429)

Ref	Description	Part number	Qty
1	Cover, top	RC4-3207-000CN	1
2	Guide, cable	RC4-3217-000CN	1
3	Tray, paper delivery	RC4-3231-000CN	1
4	Right cover assembly	RM2-2578-000CN	1
5	Cartridge door assembly	RM2-2567-000CN	1
6	Link, pressure release	RC4-4479-000CN	1
7	Shaft, support	RC4-3002-000CN	1
8	Left cover assembly	RM2-2579-000CN	1
9	Cover, cassette rear	RC4-3082-000CN	1
10	Sheet, damper	RC2-6075-000CN	2
11	Rear door assembly	RM2-5405-000CN	1
12	Cover, I/O small	RC4-3299-000CN	1
13	Paper re-pickup assembly	RM2-5666-000CN	1
Not shown	HP logo jewel	7121-8686	1
Not shown	Nameplate, HP LaserJet Pro MFP M428dw	W1A28-00002	1
Not shown	Nameplate, HP LaserJet Pro MFP M428fdn	W1A29-00002	1
Not shown	Nameplate, HP LaserJet Pro MFP M428fdw	W1A30-00003	1
Not shown	Nameplate, HP LaserJet Pro MFP M429dw	W1A33-00001	1
Not shown	Nameplate, HP LaserJet Pro MFP M429fdn	W1A34-00001	1
Not shown	Nameplate, HP LaserJet Pro MFP M429fdw	W1A35-00001	1
Not shown	Nameplate, HP LaserJet Pro MFP M329dn	W1A23-00003	1
Not shown	Nameplate, HP LaserJet Pro MFP M329dw	W1A24-00003	1
Not shown	Control panel (MFP)	W2Q13-60103	1
Not shown	Control panel back cover	T6B80-40002	1
Not shown	Control panel mount cover	B3Q11-40002	1
Not shown	Control panel mount base	B3Q11-40001	1
Not shown	Control panel mount chassis assembly	B3Q10-60145	1
Not shown	Control panel FFC	W1A30-60101	1
Not shown	Cover, fax port (fax models)	C5F99-40003	1

Internal components, printer base

Internal components, printer base (1 of 3)

Figure 2-8 Internal components, printer base (1 of 3)
M329/M428/M429

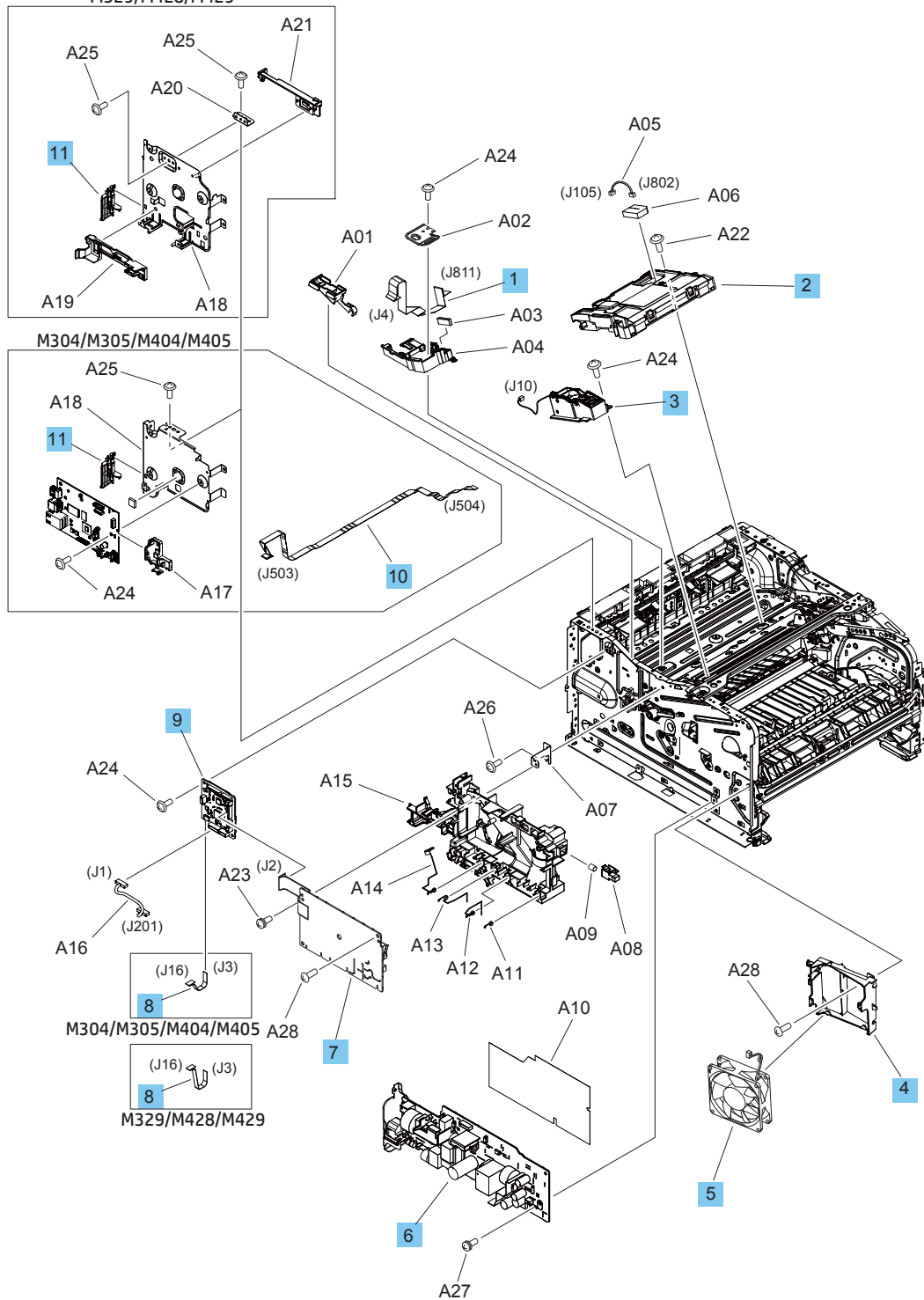


Table 2-12 Internal components, printer base (1 of 3)

Ref	Description	Part number	Qty
1	Cable, flexible flat laser	RK2-9901-000CN	1
2	Laser scanner assembly	RM2-2891-000CN	1
3	Tag cable assembly	RM2-2556-000CN	1
4	Duct, fan	RC4-2891-000CN	1
5	Fan	RK2-8068-000CN	1
6	Low voltage power supply PCA (MFP 110-127v)	RM3-7413-000CN	1
6	Low voltage power supply PCA (MFP 220-240v)	RM3-7414-000CN	1
6	Low voltage power supply PCA (SFP 220-240v)	RM3-7412-000CN	1
6	Low voltage power supply PCB assembly (SFP 110-127v)	RM3-7411-000CN	1
7	High voltage power supply PCA	RM2-7508-000CN	1
8	Cable, flexible flat formatter (MFP)	RK2-6931-000CN	1
8	Cable, flexible flat formatter (SFP)	RK2-6920-000CN	1
9	DC controller PCA	RM3-7580-000CN	1
10	Cable, flexible flat panel (SFP)	RK2-6942-000CN	1
11	Cover, inner left rear	RC4-3108-000CN	1
Not shown	Duplex release button	RC2-6075-000CN	1
Not shown	Fax PCA, crowdad (AP+AMS; fax models)	W1A78-67906	1
Not shown	Fax PCA, crowdad (EU; fax models)	W1A78-67907	1
Not shown	Fax PCA, crowdad (Brazil; fax models)	W1A78-67908	1
Not shown	Fax PCA, Chepstow fax card for BBU (fax models)	W1A78-67909	1
Not shown	Spacer, hexagonal fax (fax models)	C5F98-20001	1
Not shown	Wireless module (Ultra)	0960-4025	1
Not shown	Wireless holder	W1A30-40001	1
Not shown	FFC, laser scanner	RK2-6919-000CN	1

Internal components, printer base (2 of 3)

Figure 2-9 Internal components, printer base (2 of 3)

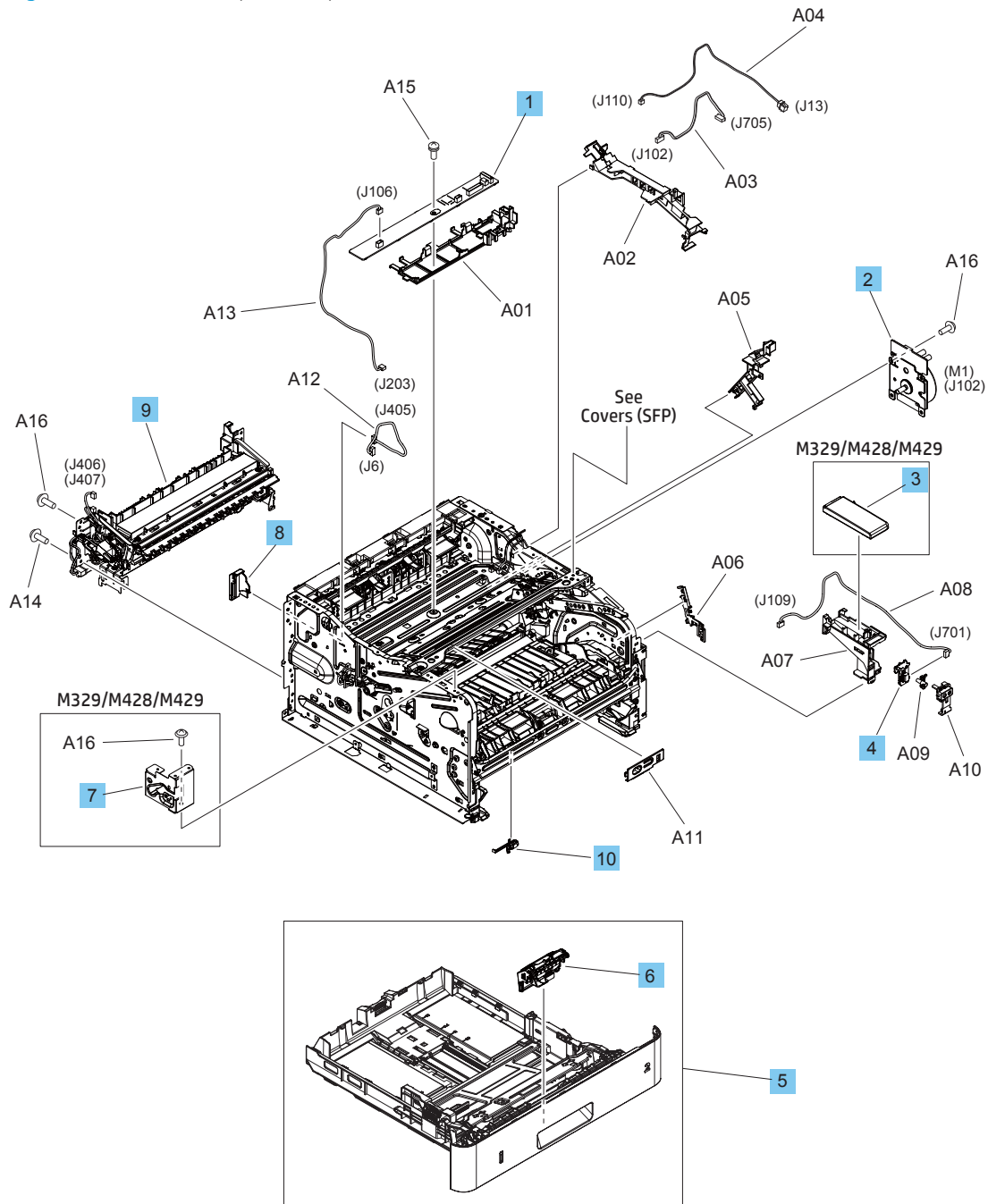


Table 2-13 Internal components, printer base (2 of 3)

Ref	Description	Part number	Qty
1	Connecting PCA (duplex model)	RM2-7510-000CN	1
1	Connecting PCA (simplex model)	RM2-8510-000CN	1
2	Main motor assembly	RM2-9531-000CN	1
3	Cover, NFC (MFP)	RC4-2961-000CN	1
4	Power switch PCA	RM2-8506-000CN	1
5	Cassette assembly	RM2-5392-010CN	1
6	Separation roller assembly	RM2-5397-000CN	1
7	Bracket, USB (MFP)	RC4-2938-000CN	1
8	Cover, full detect sensor	RC4-3219-000CN	1
9	Fixing (fuser) assembly (110-127v)	RM2-2554-000CN	1
9	Fixing (fuser) assembly (220-240v)	RM2-2555-000CN	1
10	Sensor, Tray 2 assembly	RM2-5375-000CN	1
Not shown	Ferrite, motor	9170-2659	1
Not shown	Mute USB PCA (MFP)	5851-7008	1

Internal components, printer base (3 of 3)

Figure 2-10 Internal components, printer base (3 of 3)

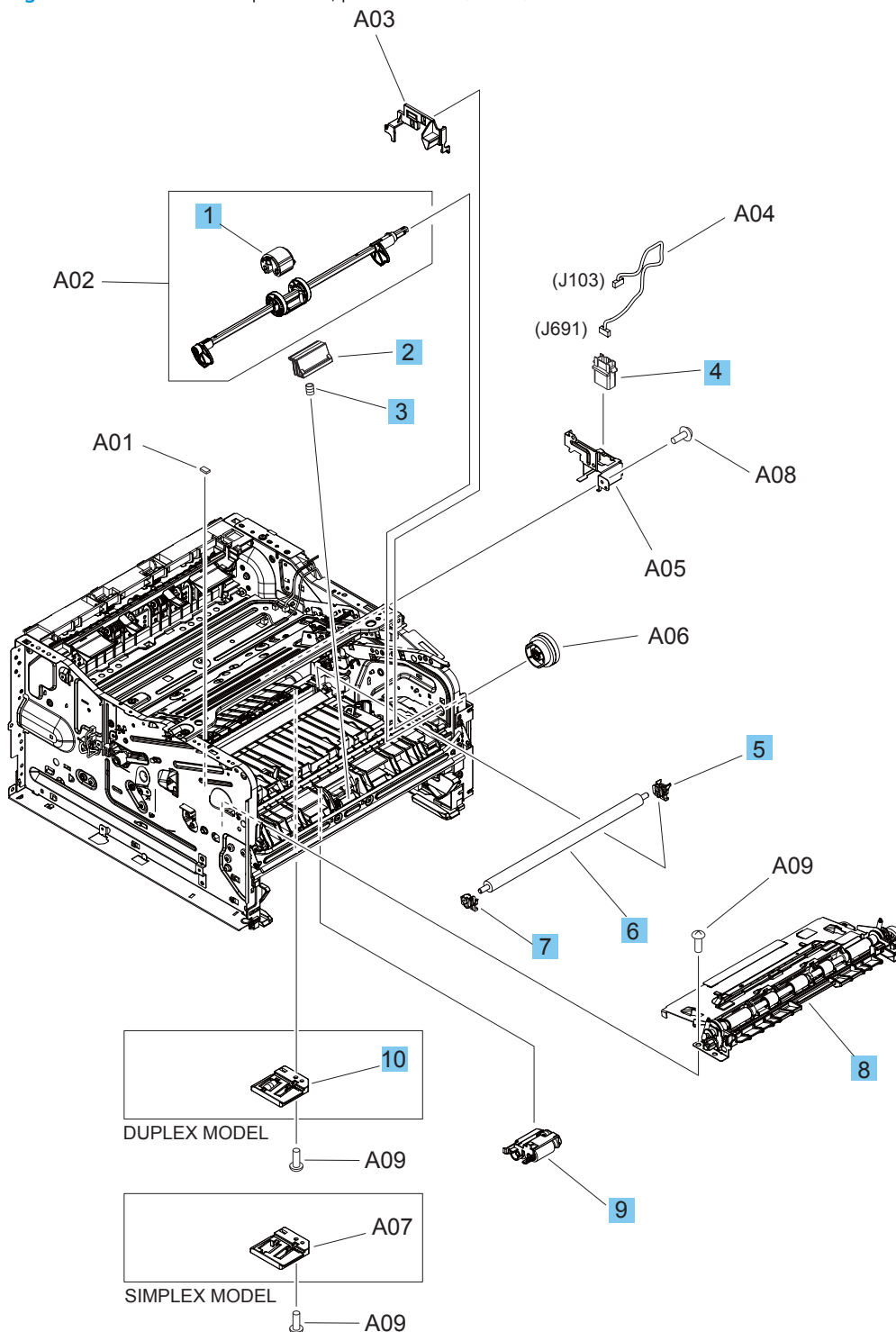


Table 2-14 Internal components, printer base (3 of 3)

Ref	Description	Part number	Qty
1	Roller, multi-purpose	RL2-0656-000CN	1
2	Roller, multi-purpose separation	RL2-0657-000CN	1
3	Spring, compression	RU8-2935-000CN	1
4	Connector, drawer	VS1-7258-007CN	1
5	Holder, transfer roller right	RC4-3133-000CN	1
6	Roller, transfer	RM1-4023-000CN	1
7	Holder, transfer roller left	RC4-3134-000CN	1
8	Registration assembly	RM2-2577-000CN	1
9	Paper pickup roller assembly	RM2-5452-000CN	1
10	Duplexing roller assembly (duplex models)	RM2-5454-000CN	1
Not shown	Sensor, Tray 2 assembly	RM2-5375-000CN	1
Not shown	Pad, thermal transfer	5851-6550	1
Not shown	Formatter PCA (SFP generic formatter for all d models)	W2Q08-60001	1
Not shown	Formatter PCA (M404d)	W1A49-60001	1
Not shown	Formatter PCA (M405d; China/India)	W1A58-60001	1
Not shown	Formatter PCA (M405d; China only)	W1A58-60002	1
Not shown	Formatter PCA (M305d; China)	W1A46-60001	1
Not shown	Formatter PCA (M304a; EMEA)	W1A66-60001	1
Not shown	Formatter PCA (SFP generic formatter for all n/dn/dw models)	W2Q09-60001	1
Not shown	Formatter PCA (M404n)	W1A52-60001	1
Not shown	Formatter PCA (M404dn)	W1A53-60001	1
Not shown	Formatter PCA (M404dw)	W1A56-60001	1
Not shown	Formatter PCA (M405n; China/India)	W1A57-60002	1
Not shown	Formatter PCA (M405n; China only)	W1A57-60003	1
Not shown	Formatter PCA (M405dn; China/India)	W1A59-60001	1
Not shown	Formatter PCA (M405dn; China only)	W1A59-60002	1
Not shown	Formatter PCA (M405dw; China/India)	W1A60-60001	1
Not shown	Formatter PCA (M405dw; China only)	W1A60-60002	1
Not shown	Formatter PCA (M305dn; China)	W1A47-60001	1
Not shown	Formatter PCA (MFP generic formatter for all 4in1 models)	W2Q13-60001	1
Not shown	Formatter PCA (M428fdn)	W2Q13-60003	1
Not shown	Formatter PCA (M428fdw)	W1A30-60001	1
Not shown	Formatter PCA (M428fdn; Russia)	W1A32-60001	1
Not shown	Formatter PCA (M429fdn)	W1A34-60001	1

Table 2-14 Internal components, printer base (3 of 3) (continued)

Ref	Description	Part number	Qty
Not shown	Formatter PCA (M429fdw)	W1A33-60001	1
Not shown	Formatter PCA (M429fdn; China only)	W1A34-60002	1
Not shown	Formatter PCA (M429fdw; China only)	W1A35-60001	1
Not shown	Formatter PCA (M329dn; China only)	W1A23-60001	1
Not shown	Formatter PCA (M329dw; China only)	W1A24-60001	1
Not shown	Formatter PCA (MFP generic formatter for all 3in1 models)	W2Q12-60001	1
Not shown	Formatter PCA (M428dw)	W1A28-60001	1
Not shown	Formatter PCA (M428dw; Russia)	W1A28-60002	1
Not shown	Formatter PCA (M429dw)	W1A33-60003	1
Not shown	Formatter PCA (M429dw; China only)	W1A33-60004	1

550-sheet paper feeder

Covers, 550-sheet paper feeder

Figure 2-11 Covers, 550-sheet paper feeder

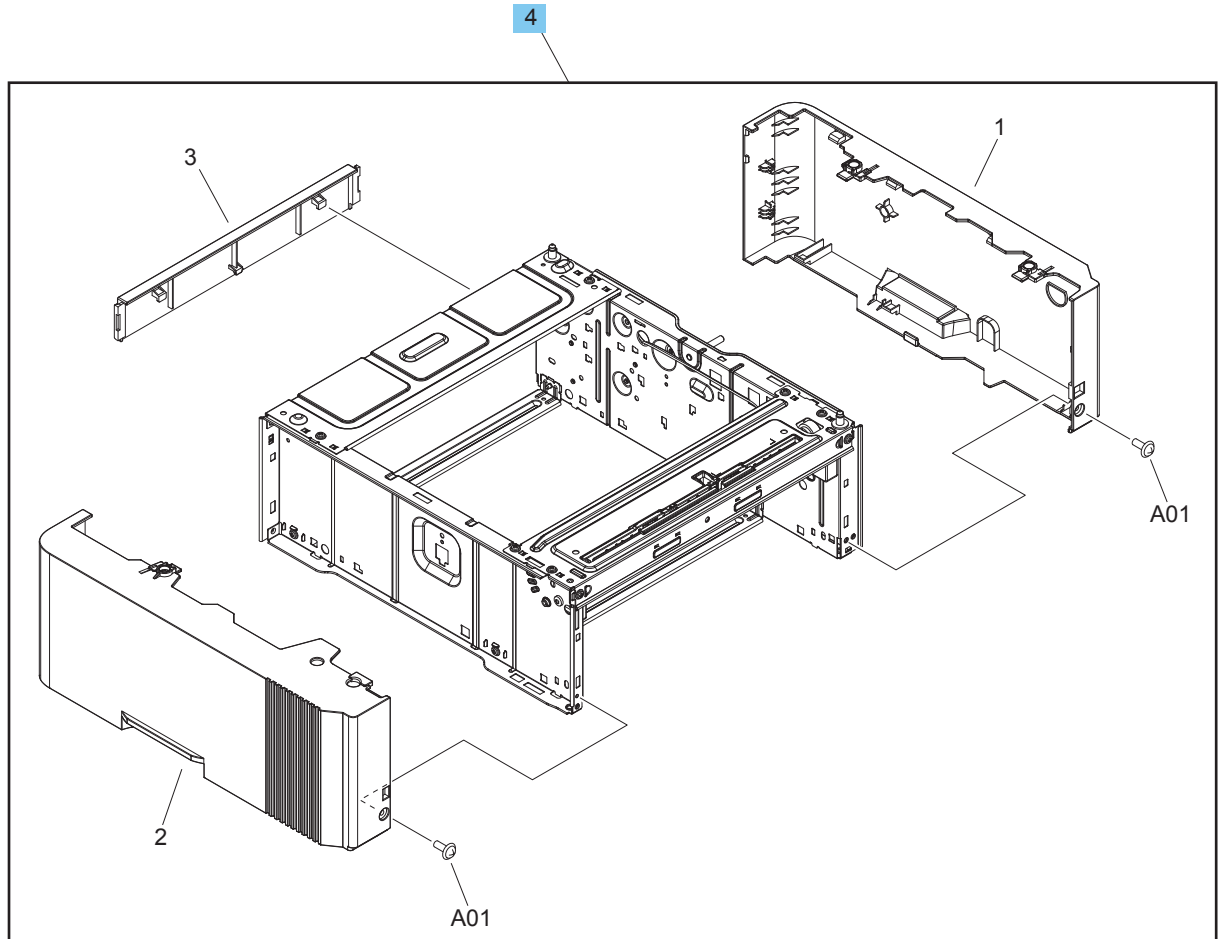


Table 2-15 Covers, 550-sheet paper feeder

Ref	Description	Part number	Qty
4	Paper feeder, 550-sheet assembly (whole unit)	D9P29A-69001	1

Main body, 550-sheet paper feeder

Figure 2-12 Main body, 550-sheet paper feeder

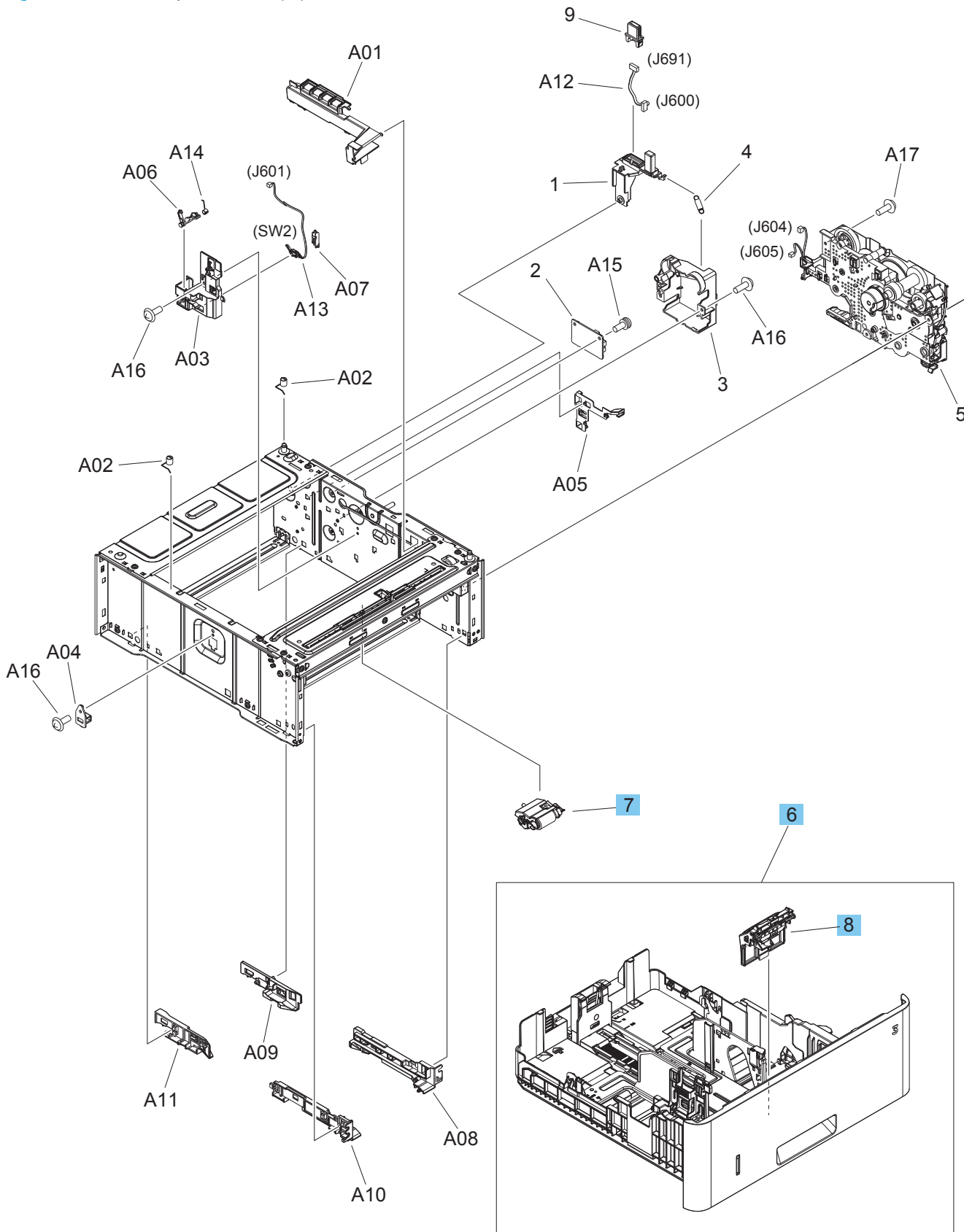


Table 2-16 Main body, 550-sheet paper feeder

Ref	Description	Part number	Qty
6	Cassette assembly (550-sheet feeder)	RM2-5413-000CN	1
7	Roller, paper pickup assembly (550-sheet feeder)	RM2-5741-000CN	1
8	Roller, separation assembly (550-sheet feeder)	RM2-5745-000CN	1

Alphabetical parts list

Table 2-17 Alphabetical parts list

Description	Part number	Table and page
Bracket, USB (MFP)	RC4-2938-000CN	Internal components, printer base (2 of 3) on page 667
Cable, flexible flat formatter (MFP)	RK2-6931-000CN	Internal components, printer base (1 of 3) on page 665
Cable, flexible flat formatter (SFP)	RK2-6920-000CN	Internal components, printer base (1 of 3) on page 665
Cable, flexible flat laser	RK2-9901-000CN	Internal components, printer base (1 of 3) on page 665
Cable, flexible flat panel (SFP)	RK2-6942-000CN	Internal components, printer base (1 of 3) on page 665
Cartridge door assembly	RM2-2562-000CN	Covers (M304/M305/M404/M405) on page 661
Cartridge door assembly	RM2-2567-000CN	Covers (M329/M428/M429) on page 663
Cassette assembly	RM2-5392-010CN	Internal components, printer base (2 of 3) on page 667
Cassette assembly (550-sheet feeder)	RM2-5413-000CN	Main body, 550-sheet paper feeder on page 675
Connecting PCA (duplex model)	RM2-7510-000CN	Internal components, printer base (2 of 3) on page 667
Connecting PCA (simplex model)	RM2-8510-000CN	Internal components, printer base (2 of 3) on page 667
Connector, drawer	VS1-7258-007CN	Internal components, printer base (3 of 3) on page 669
Control panel (MFP)	W2Q13-60103	Covers (M329/M428/M429) on page 663
Control panel assembly (non-wireless models)	RM2-5391-000CN	Covers (M304/M305/M404/M405) on page 661
Control panel assembly (wireless models)	RM2-5424-000CN	Covers (M304/M305/M404/M405) on page 661
Control panel back cover	T6B80-40002	Covers (M329/M428/M429) on page 663
Control panel FFC	W1A30-60101	Covers (M329/M428/M429) on page 663
Control panel mount base	B3Q11-40001	Covers (M329/M428/M429) on page 663
Control panel mount chassis assembly	B3Q10-60145	Covers (M329/M428/M429) on page 663
Control panel mount cover	B3Q11-40002	Covers (M329/M428/M429) on page 663

Table 2-17 Alphabetical parts list (continued)

Description	Part number	Table and page
Cover, cassette rear	RC4-3082-000CN	Covers (M304/M305/M404/M405) on page 661
Cover, cassette rear	RC4-3082-000CN	Covers (M329/M428/M429) on page 663
Cover, fax port (fax models)	C5F99-40003	Covers (M329/M428/M429) on page 663
Cover, full detect sensor	RC4-3219-000CN	Internal components, printer base (2 of 3) on page 667
Cover, I/O small	RC4-3298-000CN	Covers (M304/M305/M404/M405) on page 661
Cover, I/O small	RC4-3299-000CN	Covers (M329/M428/M429) on page 663
Cover, indication	RL2-0675-000CN	Covers (M304/M305/M404/M405) on page 661
Cover, inner left rear	RC4-3108-000CN	Internal components, printer base (1 of 3) on page 665
Cover, left	RL2-3251-000CN	Covers (M304/M305/M404/M405) on page 661
Cover, network (non-network/wireless models)	RC4-2907-000CN	Covers (M304/M305/M404/M405) on page 661
Cover, NFC (MFP)	RC4-2961-000CN	Internal components, printer base (2 of 3) on page 667
Cover, operator (non-wireless models)	RC4-3312-000CN	Covers (M304/M305/M404/M405) on page 661
Cover, operator (wireless models)	RC4-3322-000CN	Covers (M304/M305/M404/M405) on page 661
Cover, right assembly	RM2-2578-000CN	Covers (M304/M305/M404/M405) on page 661
Cover, top	RC4-2956-000CN	Covers (M304/M305/M404/M405) on page 661
Cover, top	RC4-3207-000CN	Covers (M329/M428/M429) on page 663
DC controller PCA	RM3-7580-000CN	Internal components, printer base (1 of 3) on page 665
Duct, fan	RC4-2891-000CN	Internal components, printer base (1 of 3) on page 665
Duplex release button	RC2-6075-000CN	Internal components, printer base (1 of 3) on page 665
Duplexing roller assembly (duplex models)	RM2-5454-000CN	Internal components, printer base (3 of 3) on page 669
Fan	RK2-8068-000CN	Internal components, printer base (1 of 3) on page 665

Table 2-17 Alphabetical parts list (continued)

Description	Part number	Table and page
Fax PCA, Chepstow fax card for BBU (fax models)	W1A78-67909	Internal components, printer base (1 of 3) on page 665
Fax PCA, crawdad (AP+AMS; fax models)	W1A78-67906	Internal components, printer base (1 of 3) on page 665
Fax PCA, crawdad (Brazil; fax models)	W1A78-67908	Internal components, printer base (1 of 3) on page 665
Fax PCA, crawdad (EU; fax models)	W1A78-67907	Internal components, printer base (1 of 3) on page 665
Ferrite, motor	9170-2659	Internal components, printer base (2 of 3) on page 667
FFC, laser scanner	RK2-6919-000CN	Internal components, printer base (1 of 3) on page 665
Fixing (fuser) assembly (110-127v)	RM2-2554-000CN	Internal components, printer base (2 of 3) on page 667
Fixing (fuser) assembly (220-240v)	RM2-2555-000CN	Internal components, printer base (2 of 3) on page 667
Formatter PCA (M304a; EMEA)	W1A66-60001	Internal components, printer base (3 of 3) on page 669
Formatter PCA (M305d; China)	W1A46-60001	Internal components, printer base (3 of 3) on page 669
Formatter PCA (M305dn; China)	W1A47-60001	Internal components, printer base (3 of 3) on page 669
Formatter PCA (M329dn; China only)	W1A23-60001	Internal components, printer base (3 of 3) on page 669
Formatter PCA (M329dw; China only)	W1A24-60001	Internal components, printer base (3 of 3) on page 669
Formatter PCA (M404d)	W1A49-60001	Internal components, printer base (3 of 3) on page 669
Formatter PCA (M404dn)	W1A53-60001	Internal components, printer base (3 of 3) on page 669
Formatter PCA (M404dw)	W1A56-60001	Internal components, printer base (3 of 3) on page 669
Formatter PCA (M404n)	W1A52-60001	Internal components, printer base (3 of 3) on page 669
Formatter PCA (M405d; China only)	W1A58-60002	Internal components, printer base (3 of 3) on page 669
Formatter PCA (M405d; China/India)	W1A58-60001	Internal components, printer base (3 of 3) on page 669
Formatter PCA (M405dn; China only)	W1A59-60002	Internal components, printer base (3 of 3) on page 669
Formatter PCA (M405dn; China/India)	W1A59-60001	Internal components, printer base (3 of 3) on page 669

Table 2-17 Alphabetical parts list (continued)

Description	Part number	Table and page
Formatter PCA (M405dw; China only)	W1A60-60002	Internal components, printer base (3 of 3) on page 669
Formatter PCA (M405dw; China/India)	W1A60-60001	Internal components, printer base (3 of 3) on page 669
Formatter PCA (M405n; China only)	W1A57-60003	Internal components, printer base (3 of 3) on page 669
Formatter PCA (M405n; China/India)	W1A57-60002	Internal components, printer base (3 of 3) on page 669
Formatter PCA (M428dw)	W1A28-60001	Internal components, printer base (3 of 3) on page 669
Formatter PCA (M428dw; Russia)	W1A28-60002	Internal components, printer base (3 of 3) on page 669
Formatter PCA (M428fdn)	W2Q13-60003	Internal components, printer base (3 of 3) on page 669
Formatter PCA (M428fdn; Russia)	W1A32-60001	Internal components, printer base (3 of 3) on page 669
Formatter PCA (M428fdw)	W1A30-60001	Internal components, printer base (3 of 3) on page 669
Formatter PCA (M429dw)	W1A33-60003	Internal components, printer base (3 of 3) on page 669
Formatter PCA (M429dw; China only)	W1A33-60004	Internal components, printer base (3 of 3) on page 669
Formatter PCA (M429fdn)	W1A34-60001	Internal components, printer base (3 of 3) on page 669
Formatter PCA (M429fdn; China only)	W1A34-60002	Internal components, printer base (3 of 3) on page 669
Formatter PCA (M429fdw)	W1A33-60001	Internal components, printer base (3 of 3) on page 669
Formatter PCA (M429fdw; China only)	W1A35-60001	Internal components, printer base (3 of 3) on page 669
Formatter PCA (MFP generic formatter for all 3in1 models)	W2Q12-60001	Internal components, printer base (3 of 3) on page 669
Formatter PCA (MFP generic formatter for all 4in1 models)	W2Q13-60001	Internal components, printer base (3 of 3) on page 669
Formatter PCA (SFP generic formatter for all d models)	W2Q08-60001	Internal components, printer base (3 of 3) on page 669
Formatter PCA (SFP generic formatter for all n/dn/dw models)	W2Q09-60001	Internal components, printer base (3 of 3) on page 669
Guide, cable	RC4-3217-000CN	Covers (M329/M428/M429) on page 663
Guide, led, light	RC4-3311-000CN	Covers (M304/M305/M404/M405) on page 661

Table 2-17 Alphabetical parts list (continued)

Description	Part number	Table and page
High voltage power supply PCA	RM2-7508-000CN	Internal components, printer base (1 of 3) on page 665
Holder, transfer roller left	RC4-3134-000CN	Internal components, printer base (3 of 3) on page 669
Holder, transfer roller right	RC4-3133-000CN	Internal components, printer base (3 of 3) on page 669
HP logo jewel	7121-8686	Covers (M304/M305/M404/M405) on page 661
HP logo jewel	7121-8686	Covers (M329/M428/M429) on page 663
Label, name M304a	RC5-5048-000CN	Covers (M304/M305/M404/M405) on page 661
Label, name M305d	RC5-5046-000CN	Covers (M304/M305/M404/M405) on page 661
Label, name M305dn	RC5-5047-000CN	Covers (M304/M305/M404/M405) on page 661
Label, name M404d	RC5-5049-000CN	Covers (M304/M305/M404/M405) on page 661
Label, name M404dn	RC5-5039-000CN	Covers (M304/M305/M404/M405) on page 661
Label, name M404dw	RC5-5041-000CN	Covers (M304/M305/M404/M405) on page 661
Label, name M404n	RC5-5038-000CN	Covers (M304/M305/M404/M405) on page 661
Label, name M405d	RC5-5043-000CN	Covers (M304/M305/M404/M405) on page 661
Label, name M405dn	RC5-5044-000CN	Covers (M304/M305/M404/M405) on page 661
Label, name M405dw	RC5-5045-000CN	Covers (M304/M305/M404/M405) on page 661
Label, name M405n	RC5-5042-000CN	Covers (M304/M305/M404/M405) on page 661
Laser scanner assembly	RM2-2891-000CN	Internal components, printer base (1 of 3) on page 665
Left cover assembly	RM2-2579-000CN	Covers (M329/M428/M429) on page 663
Link, pressure release	RC4-4479-000CN	Covers (M304/M305/M404/M405) on page 661
Link, pressure release	RC4-4479-000CN	Covers (M329/M428/M429) on page 663
Low voltage power supply PCA (MFP 220-240v)	RM3-7414-000CN	Internal components, printer base (1 of 3) on page 665

Table 2-17 Alphabetical parts list (continued)

Description	Part number	Table and page
Low voltage power supply PCA (SFP 220-240v)	RM3-7412-000CN	Internal components, printer base (1 of 3) on page 665
Low voltage power supply PCB assembly (SFP 110-127v)	RM3-7411-000CN	Internal components, printer base (1 of 3) on page 665
Low voltage, power supply PCA (MFP 110-127v)	RM3-7413-000CN	Internal components, printer base (1 of 3) on page 665
Main motor assembly	RM2-9531-000CN	Internal components, printer base (2 of 3) on page 667
Mute USB PCA (MFP)	5851-7008	Internal components, printer base (2 of 3) on page 667
Nameplate, HP LaserJet Pro MFP M329dn	W1A23-00003	Covers (M329/M428/M429) on page 663
Nameplate, HP LaserJet Pro MFP M329dw	W1A24-00003	Covers (M329/M428/M429) on page 663
Nameplate, HP LaserJet Pro MFP M428dw	W1A28-00002	Covers (M329/M428/M429) on page 663
Nameplate, HP LaserJet Pro MFP M428fdn	W1A29-00002	Covers (M329/M428/M429) on page 663
Nameplate, HP LaserJet Pro MFP M428fdw	W1A30-00003	Covers (M329/M428/M429) on page 663
Nameplate, HP LaserJet Pro MFP M429dw	W1A33-00001	Covers (M329/M428/M429) on page 663
Nameplate, HP LaserJet Pro MFP M429fdn	W1A34-00001	Covers (M329/M428/M429) on page 663
Nameplate, HP LaserJet Pro MFP M429fdw	W1A35-00001	Covers (M329/M428/M429) on page 663
Pad, thermal transfer	5851-6550	Internal components, printer base (3 of 3) on page 669
Paper feeder, 550-sheet assembly (whole unit)	D9P29A-69001	Covers, 550-sheet paper feeder on page 673
Paper pickup roller assembly	RM2-5452-000CN	Internal components, printer base (3 of 3) on page 669
Paper re-pickup assembly	RM2-5666-000CN	Covers (M329/M428/M429) on page 663
Paper re-pickup assembly (duplex models)	RM2-5666-000CN	Covers (M304/M305/M404/M405) on page 661
Power switch PCA	RM2-8506-000CN	Internal components, printer base (2 of 3) on page 667
Rear door assembly	RM2-5405-000CN	Covers (M329/M428/M429) on page 663
Rear door assembly (duplex models)	RM2-5405-000CN	Covers (M304/M305/M404/M405) on page 661

Table 2-17 Alphabetical parts list (continued)

Description	Part number	Table and page
Rear door assembly (simplex models)	RM2-5430-000CN	Covers (M304/M305/M404/M405) on page 661
Registration assembly	RM2-2577-000CN	Internal components, printer base (3 of 3) on page 669
Right cover assembly	RM2-2578-000CN	Covers (M329/M428/M429) on page 663
Roller, multi-purpose	RL2-0656-000CN	Internal components, printer base (3 of 3) on page 669
Roller, multi-purpose separation	RL2-0657-000CN	Internal components, printer base (3 of 3) on page 669
Roller, paper pickup assembly (550-sheet feeder)	RM2-5741-000CN	Main body, 550-sheet paper feeder on page 675
Roller, separation assembly (550-sheet feeder)	RM2-5745-000CN	Main body, 550-sheet paper feeder on page 675
Roller, transfer	RM1-4023-000CN	Internal components, printer base (3 of 3) on page 669
Scanner/ADF-Pilderiver assembly (duplex models)	W1A73-60102	Main assembly (document feeder and image scanner) on page 659
Scanner/ADF-Pilderiver assembly (simplex models)	W1A73-60101	Main assembly (document feeder and image scanner) on page 659
Sensor, Tray 2 assembly	RM2-5375-000CN	Internal components, printer base (2 of 3) on page 667
Sensor, Tray 2 assembly	RM2-5375-000CN	Internal components, printer base (3 of 3) on page 669
Separation roller assembly	RM2-5397-000CN	Internal components, printer base (2 of 3) on page 667
Shaft, support	RC4-3002-000CN	Covers (M304/M305/M404/M405) on page 661
Shaft, support	RC4-3002-000CN	Covers (M329/M428/M429) on page 663
Sheet, damper	RC2-6075-000CN	Covers (M329/M428/M429) on page 663
Sheet, damper (duplex models)	RC2-6075-000CN	Covers (M304/M305/M404/M405) on page 661
Spacer, hexagonal fax (fax models)	C5F98-20001	Internal components, printer base (1 of 3) on page 665
Spring, compression	RU8-2935-000CN	Internal components, printer base (3 of 3) on page 669
Tag cable assembly	RM2-2556-000CN	Internal components, printer base (1 of 3) on page 665
Tray, paper delivery	RC4-3231-000CN	Covers (M329/M428/M429) on page 663

Table 2-17 Alphabetical parts list (continued)

Description	Part number	Table and page
Tray, paper delivery (non-wireless models)	RC4-3231-000CN	Covers (M304/M305/M404/M405) on page 661
Tray, paper delivery (wireless models)	RM2-2581-000CN	Covers (M304/M305/M404/M405) on page 661
Wireless holder	W1A30-40001	Internal components, printer base (1 of 3) on page 665
Wireless module (Ultra)	0960-4025	Internal components, printer base (1 of 3) on page 665

Numerical parts list

Table 2-18 Numerical parts list

Part number	Description	Table and page
0960-4025	Wireless module (Ultra)	Internal components, printer base (1 of 3) on page 665
5851-6550	Pad, thermal transfer	Internal components, printer base (3 of 3) on page 669
5851-7008	Mute USB PCA (MFP)	Internal components, printer base (2 of 3) on page 667
7121-8686	HP logo jewel	Covers (M304/M305/M404/M405) on page 661
7121-8686	HP logo jewel	Covers (M329/M428/M429) on page 663
9170-2659	Ferrite, motor	Internal components, printer base (2 of 3) on page 667
B3Q10-60145	Control panel mount chassis assembly	Covers (M329/M428/M429) on page 663
B3Q11-40001	Control panel mount base	Covers (M329/M428/M429) on page 663
B3Q11-40002	Control panel mount cover	Covers (M329/M428/M429) on page 663
C5F98-20001	Spacer, hexagonal fax (fax models)	Internal components, printer base (1 of 3) on page 665
C5F99-40003	Cover, fax port (fax models)	Covers (M329/M428/M429) on page 663
D9P29A-69001	Paper feeder, 550-sheet assembly (whole unit)	Covers, 550-sheet paper feeder on page 673
W1A78-67906	Fax PCA, crawdad (AP+AMS; fax models)	Internal components, printer base (1 of 3) on page 665
W1A78-67907	Fax PCA, crawdad (EU; fax models)	Internal components, printer base (1 of 3) on page 665
W1A78-67908	Fax PCA, crawdad (Brazil; fax models)	Internal components, printer base (1 of 3) on page 665
W1A78-67909	Fax PCA, Chepstow fax card for BBU (fax models)	Internal components, printer base (1 of 3) on page 665
RC2-6075-000CN	Sheet, damper (duplex models)	Covers (M304/M305/M404/M405) on page 661
RC2-6075-000CN	Sheet, damper	Covers (M329/M428/M429) on page 663
RC2-6075-000CN	Duplex release button	Internal components, printer base (1 of 3) on page 665
RC4-2891-000CN	Duct, fan	Internal components, printer base (1 of 3) on page 665

Table 2-18 Numerical parts list (continued)

Part number	Description	Table and page
RC4-2907-000CN	Cover, network (non-network/wireless models)	Covers (M304/M305/M404/M405) on page 661
RC4-2938-000CN	Bracket, USB (MFP)	Internal components, printer base (2 of 3) on page 667
RC4-2956-000CN	Cover, top	Covers (M304/M305/M404/M405) on page 661
RC4-2961-000CN	Cover, NFC (MFP)	Internal components, printer base (2 of 3) on page 667
RC4-3002-000CN	Shaft, support	Covers (M304/M305/M404/M405) on page 661
RC4-3002-000CN	Shaft, support	Covers (M329/M428/M429) on page 663
RC4-3082-000CN	Cover, cassette rear	Covers (M304/M305/M404/M405) on page 661
RC4-3082-000CN	Cover, cassette rear	Covers (M329/M428/M429) on page 663
RC4-3108-000CN	Cover, inner left rear	Internal components, printer base (1 of 3) on page 665
RC4-3133-000CN	Holder, transfer roller right	Internal components, printer base (3 of 3) on page 669
RC4-3134-000CN	Holder, transfer roller left	Internal components, printer base (3 of 3) on page 669
RC4-3207-000CN	Cover, top	Covers (M329/M428/M429) on page 663
RC4-3217-000CN	Guide, cable	Covers (M329/M428/M429) on page 663
RC4-3219-000CN	Cover, full detect sensor	Internal components, printer base (2 of 3) on page 667
RC4-3231-000CN	Tray, paper delivery (non-wireless models)	Covers (M304/M305/M404/M405) on page 661
RC4-3231-000CN	Tray, paper delivery	Covers (M329/M428/M429) on page 663
RC4-3298-000CN	Cover, I/O small	Covers (M304/M305/M404/M405) on page 661
RC4-3299-000CN	Cover, I/O small	Covers (M329/M428/M429) on page 663
RC4-3311-000CN	Guide, led, light	Covers (M304/M305/M404/M405) on page 661
RC4-3312-000CN	Cover, operator (non-wireless models)	Covers (M304/M305/M404/M405) on page 661
RC4-3322-000CN	Cover, operator (wireless models)	Covers (M304/M305/M404/M405) on page 661

Table 2-18 Numerical parts list (continued)

Part number	Description	Table and page
RC4-4479-000CN	Link, pressure release	Covers (M304/M305/M404/M405) on page 661
RC4-4479-000CN	Link, pressure release	Covers (M329/M428/M429) on page 663
RC5-5038-000CN	Label, name M404n	Covers (M304/M305/M404/M405) on page 661
RC5-5039-000CN	Label, name M404dn	Covers (M304/M305/M404/M405) on page 661
RC5-5041-000CN	Label, name M404dw	Covers (M304/M305/M404/M405) on page 661
RC5-5042-000CN	Label, name M405n	Covers (M304/M305/M404/M405) on page 661
RC5-5043-000CN	Label, name M405d	Covers (M304/M305/M404/M405) on page 661
RC5-5044-000CN	Label, name M405dn	Covers (M304/M305/M404/M405) on page 661
RC5-5045-000CN	Label, name M405dw	Covers (M304/M305/M404/M405) on page 661
RC5-5046-000CN	Label, name M305d	Covers (M304/M305/M404/M405) on page 661
RC5-5047-000CN	Label, name M305dn	Covers (M304/M305/M404/M405) on page 661
RC5-5048-000CN	Label, name M304a	Covers (M304/M305/M404/M405) on page 661
RC5-5049-000CN	Label, name M404d	Covers (M304/M305/M404/M405) on page 661
RK2-6919-000CN	FFC, laser scanner	Internal components, printer base (1 of 3) on page 665
RK2-6920-000CN	Cable, flexible flat formatter (SFP)	Internal components, printer base (1 of 3) on page 665
RK2-6931-000CN	Cable, flexible flat formatter (MFP)	Internal components, printer base (1 of 3) on page 665
RK2-6942-000CN	Cable, flexible flat panel (SFP)	Internal components, printer base (1 of 3) on page 665
RK2-8068-000CN	Fan	Internal components, printer base (1 of 3) on page 665
RK2-9901-000CN	Cable, flexible flat laser	Internal components, printer base (1 of 3) on page 665
RL2-0656-000CN	Roller, multi-purpose	Internal components, printer base (3 of 3) on page 669
RL2-0657-000CN	Roller, multi-purpose separation	Internal components, printer base (3 of 3) on page 669

Table 2-18 Numerical parts list (continued)

Part number	Description	Table and page
RL2-0675-000CN	Cover, indication	Covers (M304/M305/M404/M405) on page 661
RL2-3251-000CN	Cover, left	Covers (M304/M305/M404/M405) on page 661
RM1-4023-000CN	Roller, transfer	Internal components, printer base (3 of 3) on page 669
RM2-2554-000CN	Fixing (fuser) assembly (110-127v)	Internal components, printer base (2 of 3) on page 667
RM2-2555-000CN	Fixing (fuser) assembly (220-240v)	Internal components, printer base (2 of 3) on page 667
RM2-2556-000CN	Tag cable assembly	Internal components, printer base (1 of 3) on page 665
RM2-2562-000CN	Cartridge door assembly	Covers (M304/M305/M404/M405) on page 661
RM2-2567-000CN	Cartridge door assembly	Covers (M329/M428/M429) on page 663
RM2-2577-000CN	Registration assembly	Internal components, printer base (3 of 3) on page 669
RM2-2578-000CN	Cover, right assembly	Covers (M304/M305/M404/M405) on page 661
RM2-2578-000CN	Right cover assembly	Covers (M329/M428/M429) on page 663
RM2-2579-000CN	Left cover assembly	Covers (M329/M428/M429) on page 663
RM2-2581-000CN	Tray, paper delivery (wireless models)	Covers (M304/M305/M404/M405) on page 661
RM2-2891-000CN	Laser scanner assembly	Internal components, printer base (1 of 3) on page 665
RM2-5375-000CN	Sensor, Tray 2 assembly	Internal components, printer base (2 of 3) on page 667
RM2-5375-000CN	Sensor, Tray 2 assembly	Internal components, printer base (3 of 3) on page 669
RM2-5391-000CN	Control panel assembly (non-wireless models)	Covers (M304/M305/M404/M405) on page 661
RM2-5392-010CN	Cassette assembly	Internal components, printer base (2 of 3) on page 667
RM2-5397-000CN	Separation roller assembly	Internal components, printer base (2 of 3) on page 667
RM2-5405-000CN	Rear door assembly (duplex models)	Covers (M304/M305/M404/M405) on page 661
RM2-5405-000CN	Rear door assembly	Covers (M329/M428/M429) on page 663

Table 2-18 Numerical parts list (continued)

Part number	Description	Table and page
RM2-5413-000CN	Cassette assembly (550-sheet feeder)	Main body, 550-sheet paper feeder on page 675
RM2-5424-000CN	Control panel assembly (wireless models)	Covers (M304/M305/M404/M405) on page 661
RM2-5430-000CN	Rear door assembly (simplex models)	Covers (M304/M305/M404/M405) on page 661
RM2-5452-000CN	Paper pickup roller assembly	Internal components, printer base (3 of 3) on page 669
RM2-5454-000CN	Duplexing roller assembly (duplex models)	Internal components, printer base (3 of 3) on page 669
RM2-5666-000CN	Paper re-pickup assembly (duplex models)	Covers (M304/M305/M404/M405) on page 661
RM2-5666-000CN	Paper re-pickup assembly	Covers (M329/M428/M429) on page 663
RM2-5741-000CN	Roller, paper pickup assembly (550-sheet feeder)	Main body, 550-sheet paper feeder on page 675
RM2-5745-000CN	Roller, separation assembly (550-sheet feeder)	Main body, 550-sheet paper feeder on page 675
RM2-7508-000CN	High voltage power supply PCA	Internal components, printer base (1 of 3) on page 665
RM2-7510-000CN	Connecting PCA (duplex model)	Internal components, printer base (2 of 3) on page 667
RM2-8506-000CN	Power switch PCA	Internal components, printer base (2 of 3) on page 667
RM2-8510-000CN	Connecting PCA (simplex model)	Internal components, printer base (2 of 3) on page 667
RM2-9531-000CN	Main motor assembly	Internal components, printer base (2 of 3) on page 667
RM3-7411-000CN	Low voltage power supply PCB assembly (SFP 110-127v)	Internal components, printer base (1 of 3) on page 665
RM3-7412-000CN	Low voltage power supply PCA (SFP 220-240v)	Internal components, printer base (1 of 3) on page 665
RM3-7413-000CN	Low voltage power supply PCA (MFP 110-127v)	Internal components, printer base (1 of 3) on page 665
RM3-7414-000CN	Low voltage power supply PCA (MFP 220-240v)	Internal components, printer base (1 of 3) on page 665
RM3-7580-000CN	DC controller PCA	Internal components, printer base (1 of 3) on page 665
RU8-2935-000CN	Spring, compression	Internal components, printer base (3 of 3) on page 669
T6B80-40002	Control panel back cover	Covers (M329/M428/M429) on page 663

Table 2-18 Numerical parts list (continued)

Part number	Description	Table and page
VS1-7258-007CN	Connector, drawer	Internal components, printer base (3 of 3) on page 669
W1A23-00003	Nameplate, HP LaserJet Pro MFP M329dn	Covers (M329/M428/M429) on page 663
W1A23-60001	Formatter PCA (M329dn; China only)	Internal components, printer base (3 of 3) on page 669
W1A24-00003	Nameplate, HP LaserJet Pro MFP M329dw	Covers (M329/M428/M429) on page 663
W1A24-60001	Formatter PCA (M329dw; China only)	Internal components, printer base (3 of 3) on page 669
W1A28-00002	Nameplate, HP LaserJet Pro MFP M428dw	Covers (M329/M428/M429) on page 663
W1A28-60001	Formatter PCA (M428dw)	Internal components, printer base (3 of 3) on page 669
W1A28-60002	Formatter PCA (M428dw; Russia)	Internal components, printer base (3 of 3) on page 669
W1A29-00002	Nameplate, HP LaserJet Pro MFP M428fdn	Covers (M329/M428/M429) on page 663
W1A30-00003	Nameplate, HP LaserJet Pro MFP M428fdw	Covers (M329/M428/M429) on page 663
W1A30-40001	Wireless holder	Internal components, printer base (1 of 3) on page 665
W1A30-60001	Formatter PCA (M428fdw)	Internal components, printer base (3 of 3) on page 669
W1A30-60101	Control panel FFC	Covers (M329/M428/M429) on page 663
W1A32-60001	Formatter PCA (M428fdn; Russia)	Internal components, printer base (3 of 3) on page 669
W1A33-00001	Nameplate, HP LaserJet Pro MFP M429dw	Covers (M329/M428/M429) on page 663
W1A33-60001	Formatter PCA (M429fdw)	Internal components, printer base (3 of 3) on page 669
W1A33-60003	Formatter PCA (M429dw)	Internal components, printer base (3 of 3) on page 669
W1A33-60004	Formatter PCA (M429dw; China only)	Internal components, printer base (3 of 3) on page 669
W1A34-00001	Nameplate, HP LaserJet Pro MFP M429fdn	Covers (M329/M428/M429) on page 663
W1A34-60001	Formatter PCA (M429fdn)	Internal components, printer base (3 of 3) on page 669
W1A34-60002	Formatter PCA (M429fdn; China only)	Internal components, printer base (3 of 3) on page 669

Table 2-18 Numerical parts list (continued)

Part number	Description	Table and page
W1A35-00001	Nameplate, HP LaserJet Pro MFP M429fdw	Covers (M329/M428/M429) on page 663
W1A35-60001	Formatter PCA (M429fdw; China only)	Internal components, printer base (3 of 3) on page 669
W1A46-60001	Formatter PCA (M305d; China)	Internal components, printer base (3 of 3) on page 669
W1A47-60001	Formatter PCA (M305dn; China)	Internal components, printer base (3 of 3) on page 669
W1A49-60001	Formatter PCA (M404d)	Internal components, printer base (3 of 3) on page 669
W1A52-60001	Formatter PCA (M404n)	Internal components, printer base (3 of 3) on page 669
W1A53-60001	Formatter PCA (M404dn)	Internal components, printer base (3 of 3) on page 669
W1A56-60001	Formatter PCA (M404dw)	Internal components, printer base (3 of 3) on page 669
W1A57-60002	Formatter PCA (M405n; China/India)	Internal components, printer base (3 of 3) on page 669
W1A57-60003	Formatter PCA (M405n; China only)	Internal components, printer base (3 of 3) on page 669
W1A58-60001	Formatter PCA (M405d; China/India)	Internal components, printer base (3 of 3) on page 669
W1A58-60002	Formatter PCA (M405d; China only)	Internal components, printer base (3 of 3) on page 669
W1A59-60001	Formatter PCA (M405dn; China/India)	Internal components, printer base (3 of 3) on page 669
W1A59-60002	Formatter PCA (M405dn; China only)	Internal components, printer base (3 of 3) on page 669
W1A60-60001	Formatter PCA (M405dw; China/India)	Internal components, printer base (3 of 3) on page 669
W1A60-60002	Formatter PCA (M405dw; China only)	Internal components, printer base (3 of 3) on page 669
W1A66-60001	Formatter PCA (M304a; EMEA)	Internal components, printer base (3 of 3) on page 669
W1A73-60108	Scanner/ADF-Pilddriver assembly (simplex models)	Main assembly (document feeder and image scanner) on page 659
W1A73-60109	Scanner/ADF-Pilddriver assembly (duplex models)	Main assembly (document feeder and image scanner) on page 659
W2Q08-60001	Formatter PCA (SFP generic formatter for all d models)	Internal components, printer base (3 of 3) on page 669
W2Q09-60001	Formatter PCA (SFP generic formatter for all n/dn/dw models)	Internal components, printer base (3 of 3) on page 669

Table 2-18 Numerical parts list (continued)

Part number	Description	Table and page
W2Q12-60001	Formatter PCA (MFP generic formatter for all 3in1 models)	Internal components, printer base (3 of 3) on page 669
W2Q13-60001	Formatter PCA (MFP generic formatter for all 4in1 models)	Internal components, printer base (3 of 3) on page 669
W2Q13-60003	Formatter PCA (M428fdn)	Internal components, printer base (3 of 3) on page 669
W2Q13-60103	Control panel (MFP)	Covers (M329/M428/M429) on page 663

