

---

# 4 Parts and diagrams

- [Order parts by authorized service providers](#)
- [How to use the parts lists and diagrams](#)
- [Assembly locations](#)
- [External covers, panels, and doors](#)
- [Right door assembly](#)
- [Internal components \(1 of 9\)](#)
- [Internal components \(2 of 9\)](#)
- [Internal components \(3 of 9\)](#)
- [Internal components \(4 of 9\)](#)
- [Internal components \(5 of 9\)](#)
- [Internal components \(6 of 9\)](#)
- [Internal components \(7 of 9\)](#)
- [Internal components \(8 of 9\)](#)
- [Internal components \(9 of 9\)](#)
- [1x250 cassette](#)
- [Paper pick-up assembly](#)
- [Paper delivery assembly](#)
- [Printed circuit assemblies](#)
- [1x500 paper feeder](#)
- [3x500 paper feeder](#)
- [Alphabetical parts list](#)
- [Numerical parts list](#)

# Order parts by authorized service providers

## Order parts, accessories, and supplies

**Table 4-1 Order parts, accessories, and supplies**

Order supplies and paper	<a href="http://www.hp.com/go/suresupply">www.hp.com/go/suresupply</a>
Order genuine HP parts or accessories	<a href="http://www.partsurfer.hp.com">www.partsurfer.hp.com</a>
Order through service or support providers	Contact an HP-authorized service or support provider.
Order using HP software	For information about using the HP software to order parts, accessories, and supplies, see the product user guide.

## Related documentation and software

**Table 4-2 Related documentation and software**

<b>Item</b>	<b>Description</b>	<b>Part number</b>
<i>HP Color LaserJet Enterprise CP5520 Printer Series User Guide</i>	Product user guide	CE707-90901
<i>HP Color LaserJet Enterprise CP5520 Printer Series Service Manual</i>	English service manual (this manual)	CE707-90935

## Supplies part numbers

**Table 4-3 Supplies part numbers**

Item	Description	Part number
HP LaserJet print cartridges with HP ColorSphere toner	Black print cartridge	CE270A (new) CE270-67901 (service)
	Cyan print cartridge	CE271A (new) CE271-67901 (service)
	Yellow print cartridge	CE272A (new) CE272-67901 (service)
	Magenta print cartridge	CE273A (new) CE273-67901 (service)

## Customer self repair parts

Each kit includes parts and installation instructions. The customer self repair (CSR) level indicates the expected difficulty the customer will experience when replacing this part:

- A = Easy
- B = Difficult
- C = Very difficult

Item	Part number	CSR level
1x250-sheet feeder (Tray 2)	CE710-67906	A
<ul style="list-style-type: none"><li>• Tray 2 cassette</li><li>• Installation instructions</li></ul>		
1x500-sheet feeder (Tray 3) kit	CE860-67901	A
<ul style="list-style-type: none"><li>• 1x500-sheet feeder</li><li>• Installation instructions</li></ul>		
3x500-sheet feeder (Trays 4, 5, and 6) with stand kit	CE725-67901	A
<ul style="list-style-type: none"><li>• 3x500-sheet feeder with stand</li><li>• Installation instructions</li></ul>		

<b>Item</b>	<b>Part number</b>	<b>CSR level</b>
Encrypted hard disk drive kit	CE709-67901	B
<ul style="list-style-type: none"> <li>• Encrypted hard disk drive, 120 GB</li> <li>• Right rail</li> <li>• Left rail</li> <li>• Disk drive cradle</li> <li>• Power/data cable assembly</li> <li>• Installation instructions</li> </ul>		
Formatter kit	CE707-69001	A
<ul style="list-style-type: none"> <li>• Formatter tray assembly</li> <li>• Formatter assembly</li> <li>• Screws</li> <li>• EIO card guide</li> <li>• Installation instructions</li> </ul>		
Fuser kit	110 volt: RM1-6180-000CN	A
<ul style="list-style-type: none"> <li>• Fuser assembly</li> <li>• Installation instructions</li> </ul>	220 volt: RM1-6181-000CN	
Intermediate transfer belt (ITB) maintenance kit	CE979-67901	A
<ul style="list-style-type: none"> <li>• ITB assembly</li> <li>• Secondary transfer roller assembly</li> <li>• Tray 1 pick-up roller</li> <li>• Tray 2 pick-up roller assembly</li> <li>• Tray 2 separation roller assembly</li> <li>• Tray 3, 4, 5, 6 pick-up rollers</li> <li>• Tray 3, 4, 5, 6 feed roller assembly</li> <li>• Installation instructions</li> </ul>		
Intermediate transfer belt (ITB) repair kit	CE710-67903	A
<ul style="list-style-type: none"> <li>• ITB assembly</li> <li>• Secondary transfer roller assembly</li> <li>• Installation instructions</li> </ul>		
Secondary transfer roller (T2) kit	CE710-67904	A
<ul style="list-style-type: none"> <li>• Secondary transfer roller assembly</li> <li>• Installation instructions</li> </ul>		

Item	Part number	CSR level
Solid state drive kit	CE707-67901	B
<ul style="list-style-type: none"> <li>• Solid state drive, 8 GB</li> <li>• Driver retainer</li> <li>• Installation instructions</li> </ul>		
Toner collection unit kit	CE980-67901	A
<ul style="list-style-type: none"> <li>• Waste toner box assembly</li> <li>• Toner cleaning cloth</li> <li>• Installation instructions</li> </ul>		
Tray 1 paper pick-up roller and separation pad kit	CE710-67909	A
<ul style="list-style-type: none"> <li>• Paper pick-up roller</li> <li>• Separation pad</li> <li>• Installation instructions</li> </ul>		
Tray 2 paper pick-up roller kit	CE710-69007	A
<ul style="list-style-type: none"> <li>• Paper pick-up roller assembly</li> <li>• Separation roller assembly</li> <li>• Installation instructions</li> </ul>		
Tray 3, 4, 5, and 6 paper pick-up roller kit	CE710-69008	A
<ul style="list-style-type: none"> <li>• Paper pick-up roller assembly</li> <li>• Feed roller assembly</li> <li>• Installation instructions</li> </ul>		

## Service replacement parts

Item	Part number
DC controller assembly	Simplex: CE707-67906
<ul style="list-style-type: none"> <li>• DC controller assembly</li> <li>• Installation instructions</li> </ul>	Duplex: CE708-67902
Front cover assembly kit	CE707-67902
<ul style="list-style-type: none"> <li>• Front cover assembly</li> <li>• HP logo jewel</li> </ul>	

<b>Item</b>	<b>Part number</b>
Fuser drive unit	CE707-67904
<ul style="list-style-type: none"> <li>• Fuser drive assembly</li> <li>• Installation instructions</li> </ul>	
Inner door assembly	CE707-67909
<ul style="list-style-type: none"> <li>• Inner door assembly</li> <li>• Four color cartridge labels</li> </ul>	
Interconnect board (ICB) PCA	CE707-67907
<ul style="list-style-type: none"> <li>• ICB PCA</li> <li>• Installation instructions</li> </ul>	
Main drive assembly	Simplex: CE707-67905
<ul style="list-style-type: none"> <li>• Main drive assembly</li> <li>• Installation instructions</li> </ul>	Duplex: CE708-67901
Paper pick-up assembly	CE707-67903
<ul style="list-style-type: none"> <li>• Paper pick-up assembly</li> <li>• Installation instructions</li> </ul>	
Toner vacuum kit	110 volt: CC468-69002
<ul style="list-style-type: none"> <li>• Toner vacuum</li> <li>• Instructions for use</li> </ul>	220 volt: CC468-69003
Tray 1 separation pad kit	CE707-67908
<ul style="list-style-type: none"> <li>• Tray 1 separation pad assembly</li> <li>• Installation instructions</li> </ul>	

## Accessories part numbers

**Table 4-4 Accessories part numbers**

Item	Description	Part number
Optional 1x500-sheet tray	Optional tray to increase paper capacity.	CE860A
Optional 3x500-sheet tray and feeder unit	Optional tray to increase paper capacity.	CE725A
USB cable	2-meter A-to-B cable	C6518A
Power cord	China 220V - 10A	8121-0943
	Taiwan 110V - 13A	8121-0964
	Korea 220V - 10A	8121-0731
	Japan 110V - 12A	8121-1143
	India 220V - 6A	8121-0564
	Asia Pacific 220V - 10A	8121-0739
	Australia/New Zealand 220V - 10A	8121-0837
	Israel 220V - 10A	8121-1004
	Denmark 220V - 10A	8121-0733
	South Africa 220V - 10A	8121-0737
	Switzerland 220V - 10A	8121-0738
	Brazil 110V - 10A	8121-0734
	Argentina 220V - 10A	8121-0729
	North America 110V - 13A	8121-1141
	Israel - Unique cord	8120-8913
Switzerland - Unique cord	8121-0844	
Rest of World - Standard 2-wire RJ-11	8121-0811	

## How to use the parts lists and diagrams

The figures in this chapter show the major subassemblies in the product and their component parts. A parts list table follows each exploded view assembly diagram. Each table lists the item number, the associated part number, and the description of each part. If a part is not listed in the table, then it is not a field replacement unit (FRU).

---

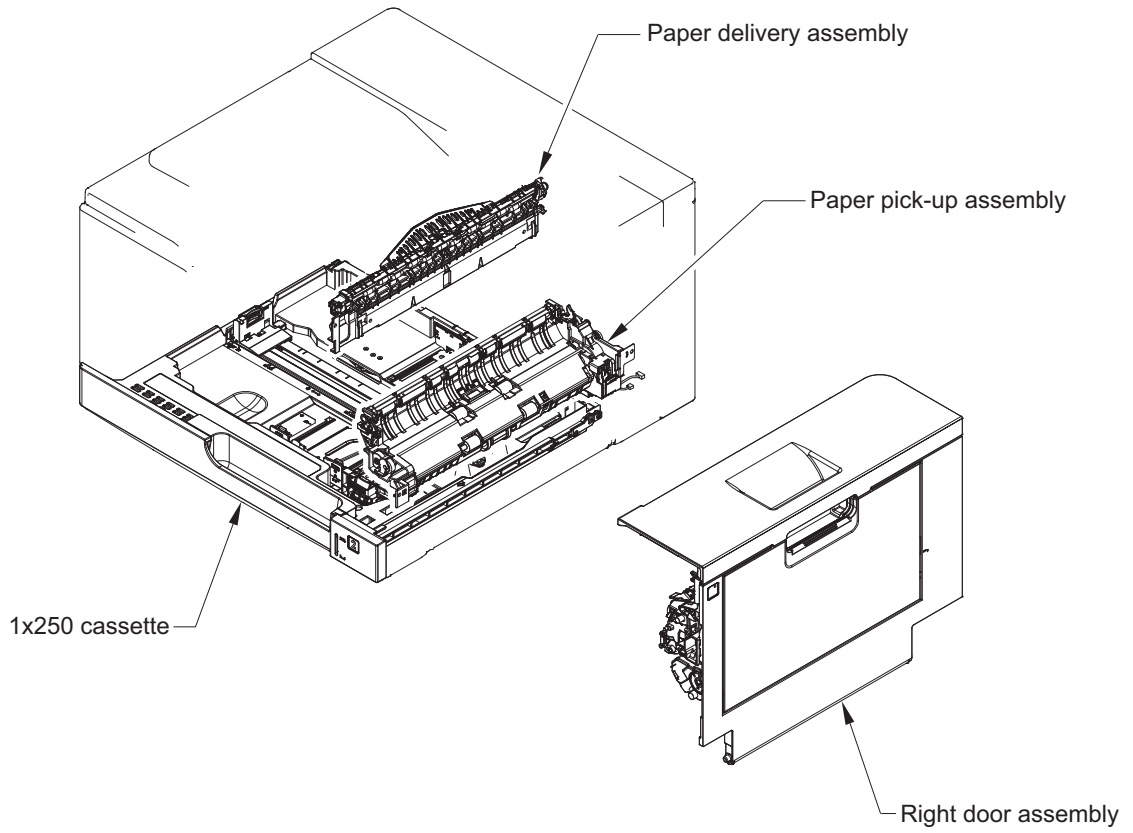
△ **CAUTION:** Be sure to order the correct part. When looking for part numbers for electrical components, pay careful attention to the voltage that is listed in the description column. Doing so will ensure that the part number selected is for the correct model.

📄 **NOTE:** In this manual, the abbreviation “PCA” stands for “printed circuit-board assembly.” Components described as a PCA might consist of a single circuit board or a circuit board plus other parts, such as cables and sensors.

---

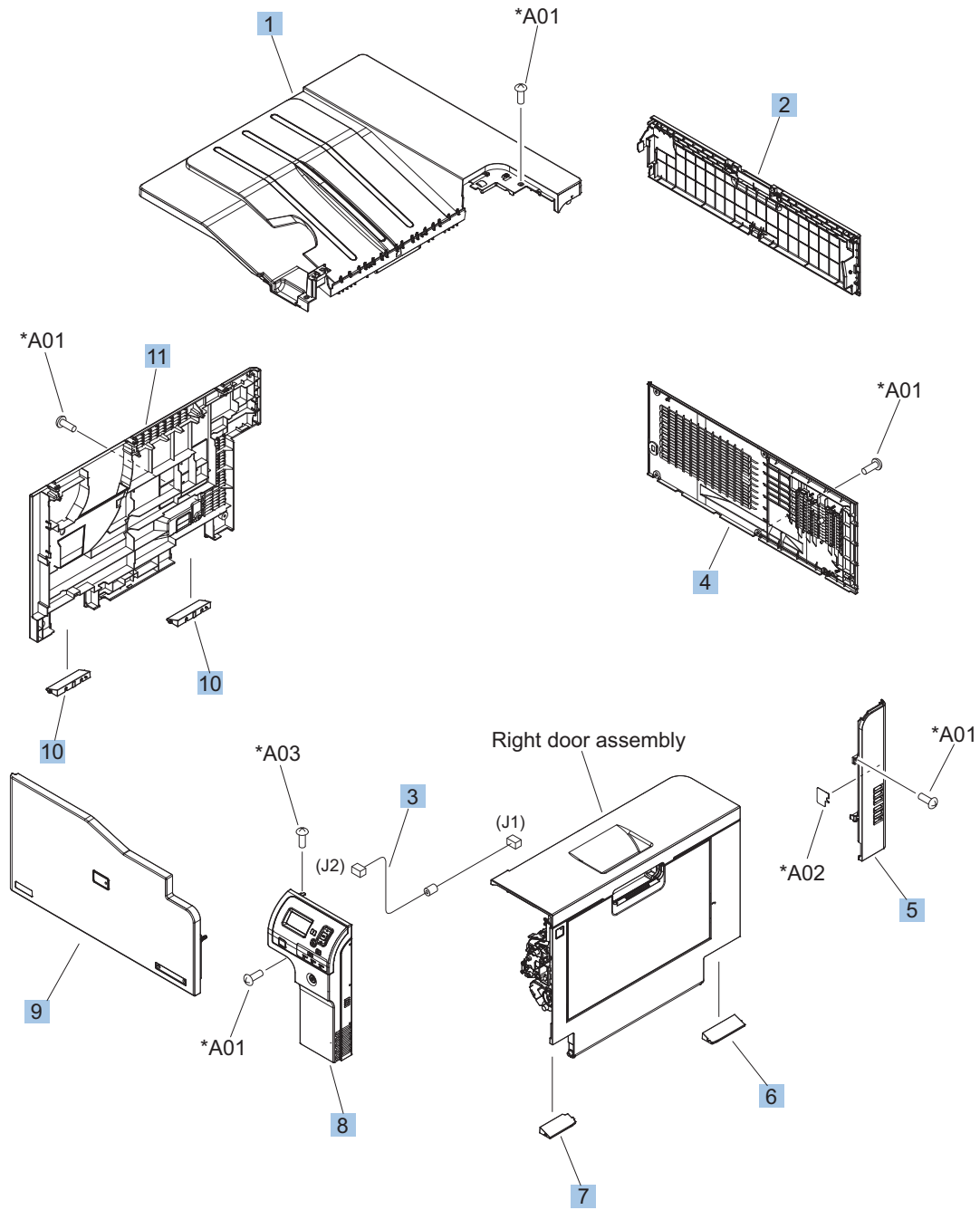


# Assembly locations



# External covers, panels, and doors

Figure 4-1 External covers, panels, and doors

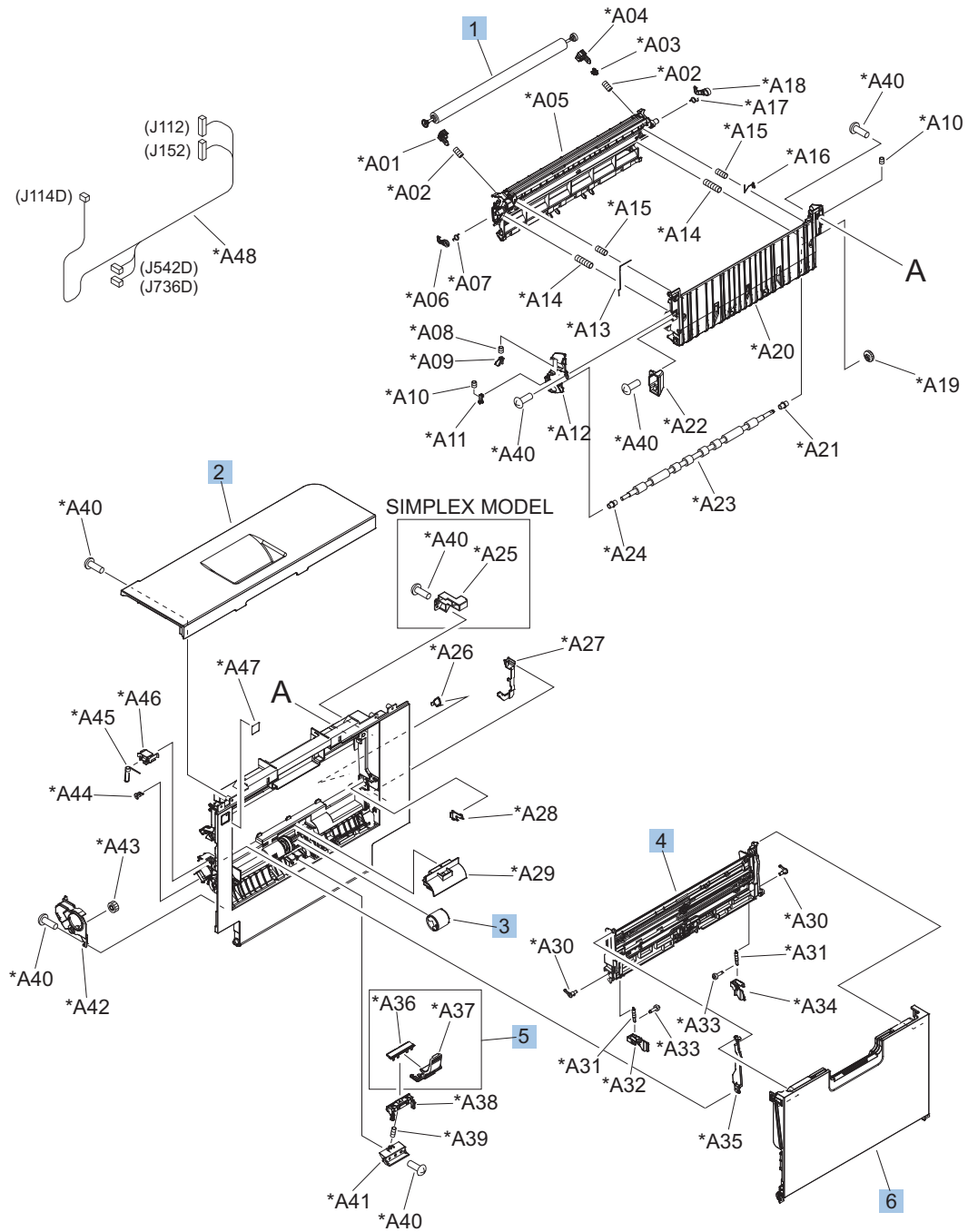


**Table 4-5 External covers, panels, and doors**

<b>Ref</b>	<b>Description</b>	<b>Part number</b>	<b>Qty</b>
1	Cover, top	RM1-7148-000CN	1
2	Door, toner collection unit access	RC2-7034-000CN	1
3	Cable, USB	RK2-2901-000CN	1
4	Cover, rear	RM1-7147-000CN	1
5	Cover, right rear	RM1-7142-000CN	1
6	Cover, handle, lower-right, rear	RC2-6626-000CN	1
7	Cover, handle, lower-right, front	RC2-6627-000CN	1
8	Cover, right front assembly (includes control panel)	RM1-7144-000CN	1
9	Cover, front assembly	RM1-7133-000CN	1
10	Cover, handle, lower-left	RC2-6625-000CN	2
11	Cover, left assembly	RM1-7143-000CN	1

# Right door assembly

Figure 4-2 Right door assembly

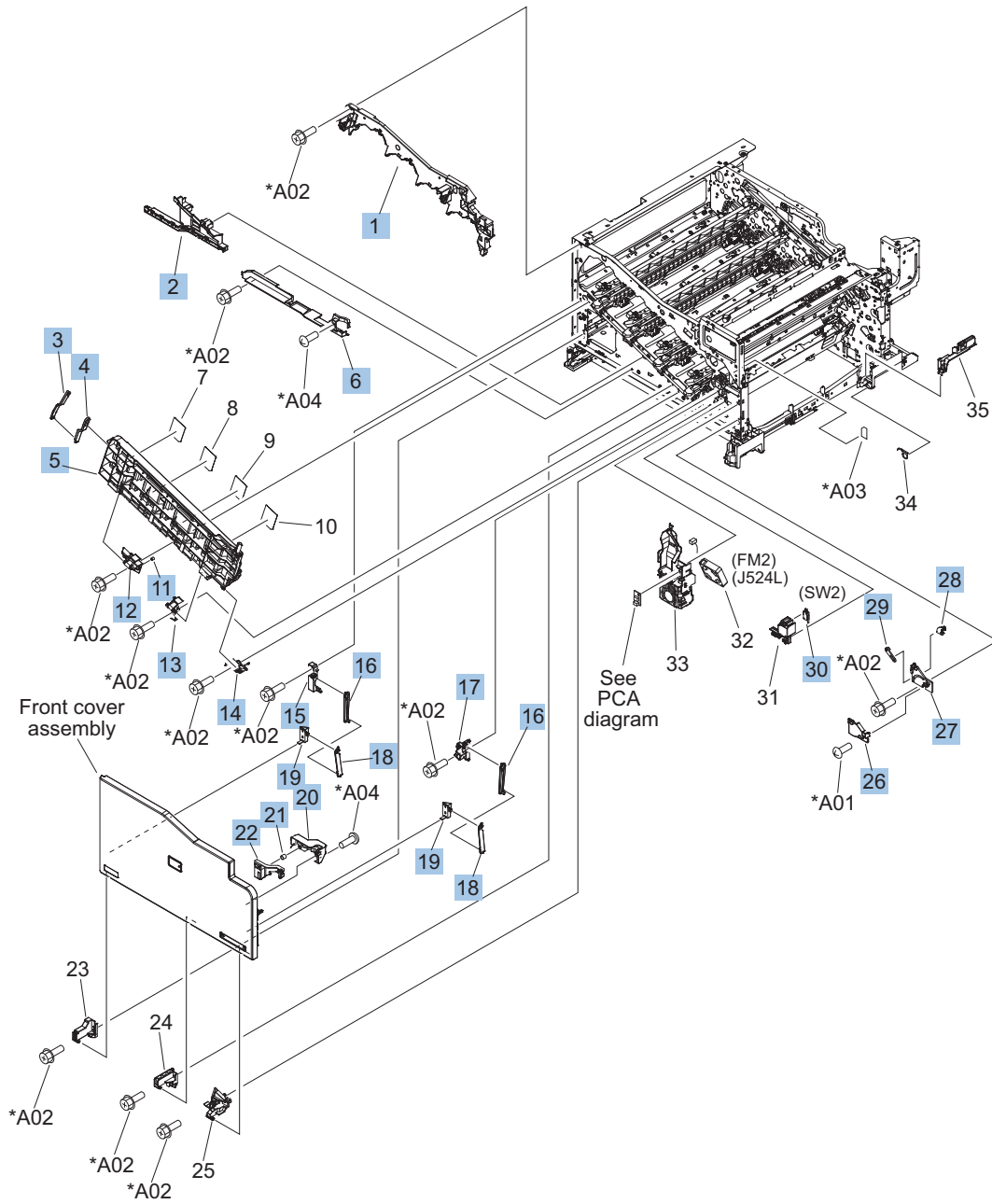


**Table 4-6 Right door assembly**

<b>Ref</b>	<b>Description</b>	<b>Part number</b>	<b>Qty</b>
	Right door assembly, duplex model	RM1-6007-000CN	1
	Right door assembly, simplex model	RM1-6138-000CN	1
1	Roller, secondary transfer, T2 (included in the service kit)	CE710-67904	1
2	Door, right upper	RC2-7091-000CN	1
3	Roller, paper pick-up, Tray 1 (included in the service kit)	CE710-67906	1
4	Lifter plate assembly, Tray 1	RM1-6043-030CN	1
5	Separation pad, Tray 1 (included in the service kit)	CE710-67909	1
6	Tray 1 (MP tray) assembly	RM1-6045-000CN	1

# Internal components (1 of 9)

Figure 4-3 Internal components (1 of 9)

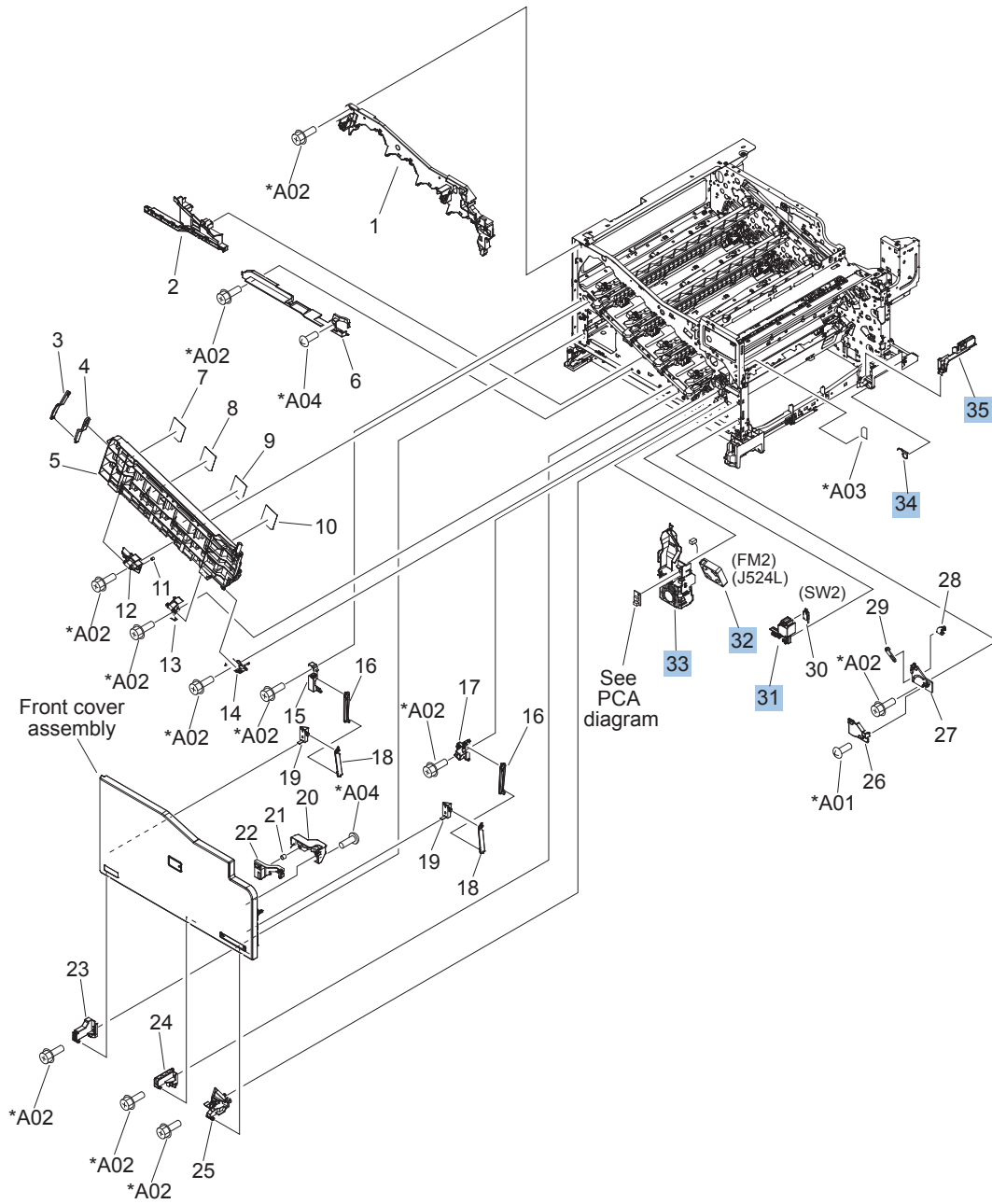


**Table 4-7 Internal components (1 of 9)**

<b>Ref</b>	<b>Description</b>	<b>Part number</b>	<b>Qty</b>
1	Upper cartridge guide assembly	RM1-5990-000CN	1
2	Duct, front	RC2-7300-000CN	1
3	Stopper, inner door, 1	RC2-6719-000CN	1
4	Stopper, inner door, 2	RC2-6736-000CN	1
5	Door, inner, service kit includes all labels	CE707-67904	1
6	Cover, lower front	RC2-6737-000CN	1
11	Spring, grounding	RC2-7209-000CN	1
12	Hinge, inner door, left	RC2-6716-000CN	1
13	Hinge, inner door, right	RC2-6712-000CN	1
14	Rail, cartridge auxiliary	RC2-6724-000CN	1
15	Mount, cover arm, front	RC2-6735-000CN	1
16	Arm, front cover, 1	RC2-6732-000CN	2
17	Mount, inner door toggle	RC2-6717-000CN	1
18	Arm, front cover, 2	RC2-6733-000CN	2
19	Mount, stopper arm	RC2-6745-000CN	2
20	Mount, inner door rail	RC2-6743-000CN	1
21	Spring, compression	RU6-2721-000CN	1
22	Lever, inner door pressure	RC2-6744-000CN	1
23	Hinge, front cover, left	RC2-6713-000CN	1
24	Hinge, front cover, center	RC2-6738-000CN	1
25	Hinge, front cover, right	RC2-6715-000CN	1
26	Cover, guide	RC2-7204-000CN	1
27	Guide, arm, front	RC2-6632-000CN	1
28	Lever, push	RC2-7198-000CN	1
29	Lever, lift, 2	RC2-7200-000CN	1
30	Microswitch	WC4-5251-000CN	1

# Internal components (2 of 9)

Figure 4-4 Internal components (2 of 9)



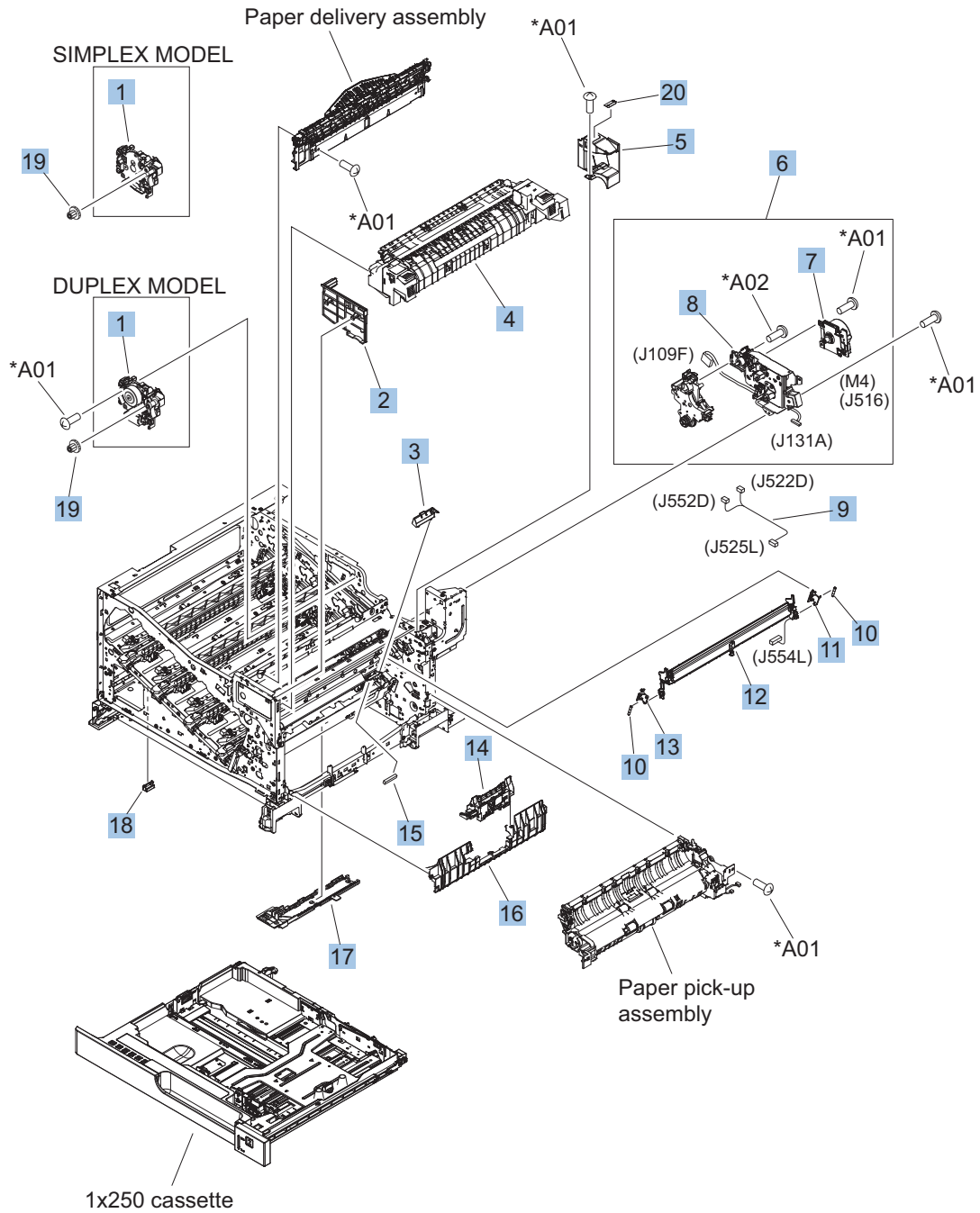


**Table 4-8 Internal components (2 of 9)**

<b>Ref</b>	<b>Description</b>	<b>Part number</b>	<b>Qty</b>
31	Holder, interlock switch	RC2-6689-000CN	1
32	Fan, fuser	RK2-2728-000CN	1
33	Holder, duplexing fan	RC2-8357-000CN	1
34	Spring, leaf, grounding	RC2-7092-000CN	1
35	Cover, handle guide	RC2-6670-000CN	1

# Internal components (3 of 9)

Figure 4-5 Internal components (3 of 9)

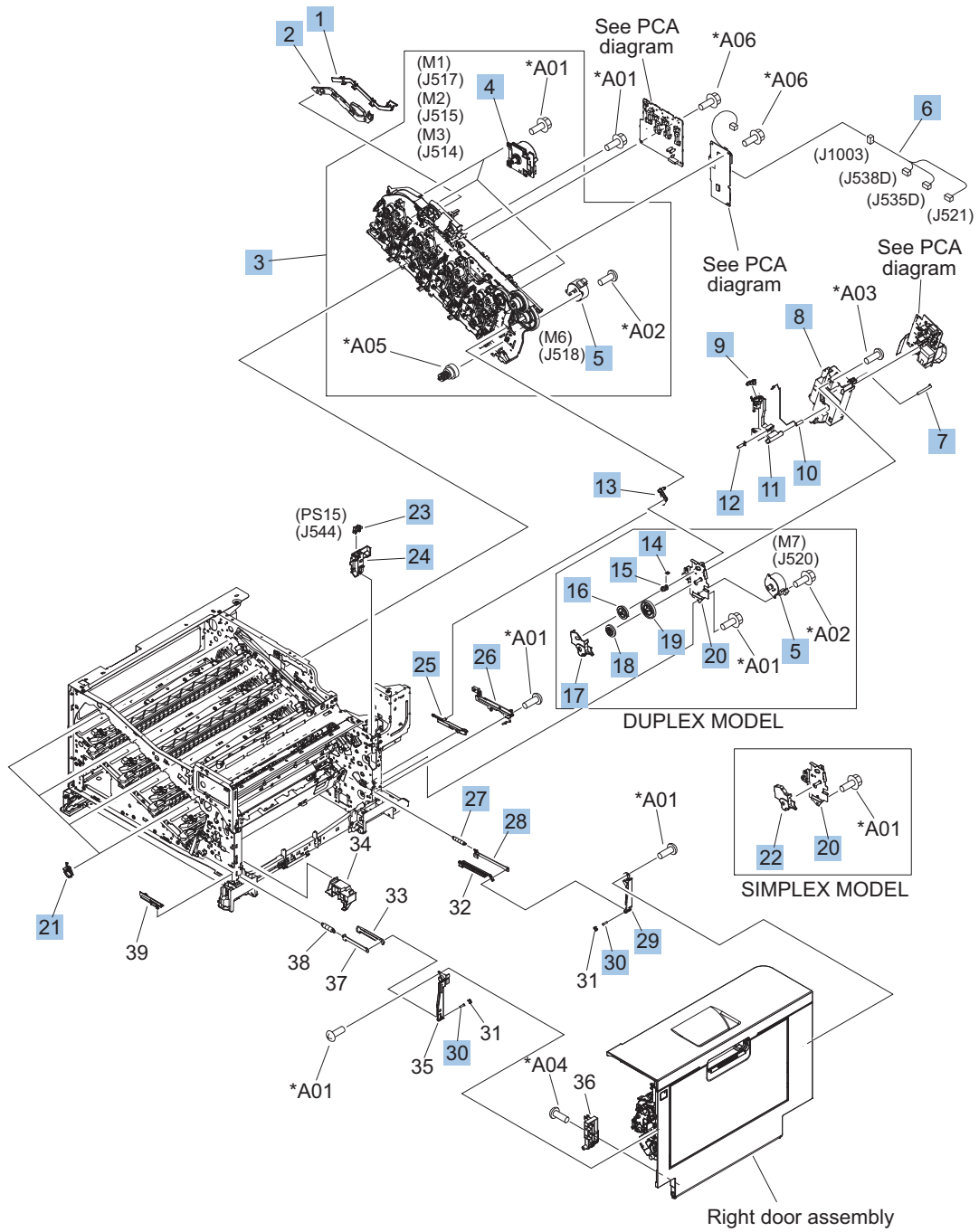


**Table 4-9 Internal components (3 of 9)**

<b>Ref</b>	<b>Description</b>	<b>Part number</b>	<b>Qty</b>
1	Drive assembly, duplex reverse, duplex model	RM1-6005-000CN	1
1	Drive assembly, simplex reverse, simplex model	RM1-6120-000CN	1
2	Guide, fuser, front	RC2-6546-000CN	1
3	Cover, cable, protective	RC2-6832-000CN	1
4	Fuser assembly, 110V (included in service kit)	RM1-6180-000CN	1
4	Fuser assembly, 220V (included in service kit)	RM1-6181-000CN	1
5	Guide, fuser, rear	RC2-6547-000CN	1
6	Fuser drive assembly	CE707-67904	1
7	Fuser motor assembly	RM1-6074-000CN	1
8	Gear assembly, fuser	RM1-7914-060CN	1
9	Cable, SB joint, low-voltage power supply, duplex model	RM1-6867-000CN	1
10	Spring, tension, registration sensor	RU6-2710-000CN	2
11	Support, frame, rear	RC2-7197-000CN	1
12	Registration sensor assembly	RM1-7922-000CN	1
13	Support, frame, front	RC2-7196-000CN	1
14	Separation roller assembly (included in service kit)	CE710-67907	1
15	Connector, snap tight, black	VS1-7207-019CN	1
16	Guide, paper feed	RC2-7297-000CN	1
17	Sensor, cassette last paper presence	RM1-6164-000CN	1
18	Cover, connector, lower	RC2-6642-000CN	1
19	Gear, 18T/29T	RU6-0775-000CN	1
20	Label, fuser insert	RU6-8042-000CN	1

# Internal components (4 of 9)

Figure 4-6 Internal components (4 of 9)

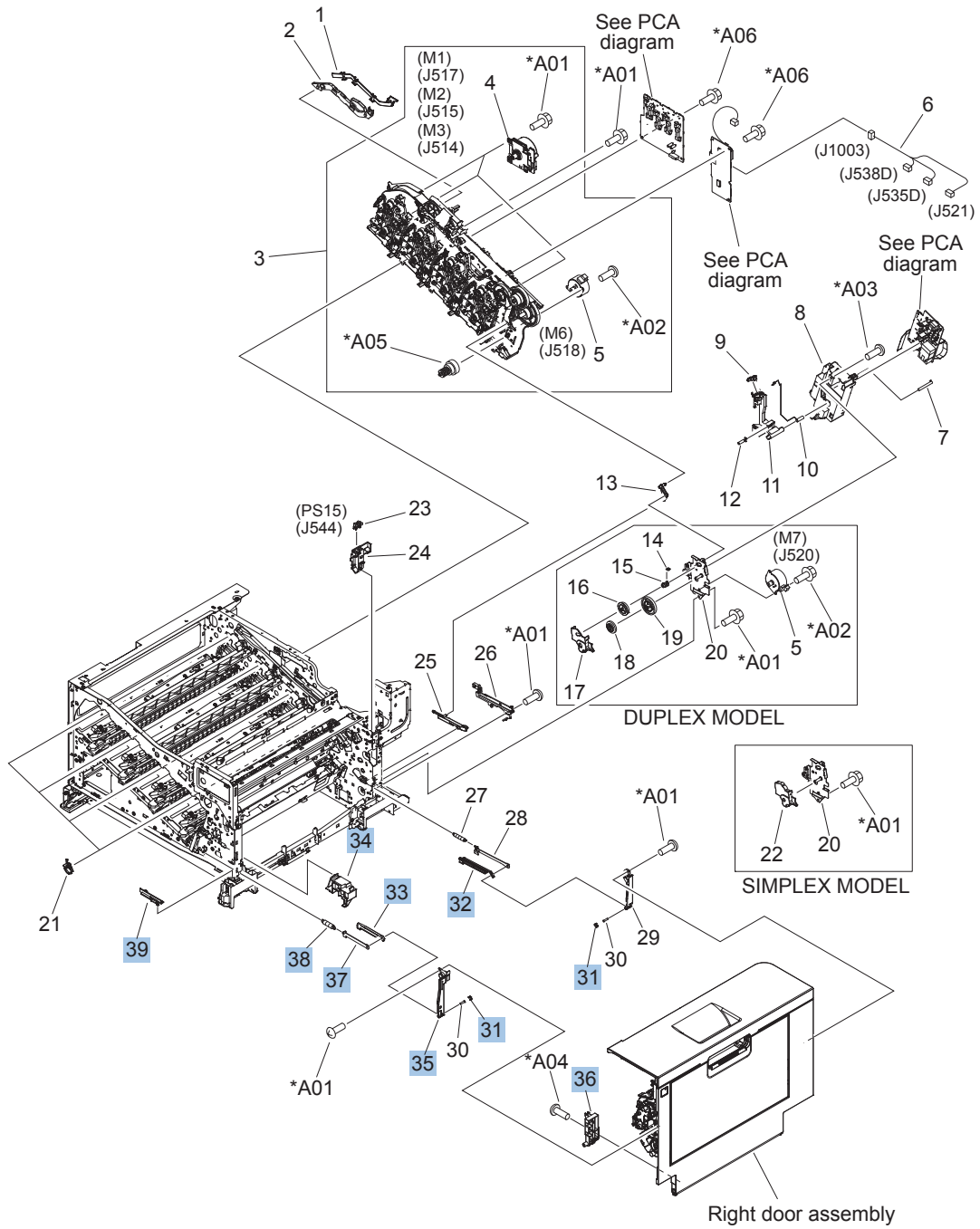


**Table 4-10 Internal components (4 of 9)**

<b>Ref</b>	<b>Description</b>	<b>Part number</b>	<b>Qty</b>
1	Cover, main drive cable, lower	RC2-6574-000CN	1
2	Guide, main drive cable	RC2-6659-000CN	1
3	Main drive assembly, duplex model	RM1-7931-000CN	1
3	Main drive assembly, simplex model	RM1-6173-000CN	1
4	DC motor assembly	RM1-6088-000CN	3
5	Motor, stepping, DC, duplex model	RK2-3298-000CN	2
5	Motor, stepping, DC, simplex model	RK2-3298-000CN	1
6	Cable, feed joint, duplex model	RM1-6846-000CN	1
7	Spring, grounding, second-transfer high-voltage PCA	RU6-2772-000CN	1
8	Holder, secondary transfer HVT	RC2-6681-010CN	1
9	Cap, T2 contact, second-transfer high-voltage PCA	RC2-6691-000CN	1
10	Spring, contact, second-transfer high-voltage PCA	RU6-2771-000CN	1
11	Holder, secondary transfer, power dispatching	RC2-6682-000CN	1
12	Spring, grounding, second-transfer high-voltage PCA	RC2-6700-000CN	1
13	Link, ITB coupling release	RC2-6823-000CN	1
14	Spring, tension, duplex model	RU6-2671-000CN	1
15	Hook, duplexing spring, duplex model	RC2-6932-000CN	1
16	Gear, 25T, duplex model	RU6-0771-000CN	1
17	Cover, duplexing gear, duplex model	RC2-6931-000CN	1
18	Gear, 25T, duplex model	RU6-0772-000CN	1
19	Gear, 74T, duplex model	RU6-0773-000CN	1
20	Plate, duplexing drive gear	RL1-2266-000CN	1
21	Support, developing coupling	RC2-6811-000CN	4
22	Cover, gear, simplex model	RC3-0688-000CN	1
23	Sensor, right door	WG8-5696-000CN	1
24	Holder, door sensor, right	RC2-6645-000CN	1
25	Arm, ITB coupling release	RC2-6824-000CN	1
26	Rail, door link, rear lower	RC2-6635-000CN	1
27	Spring, tension, rear	RU6-2744-000CN	1
28	Plate, right door link, rear	RC2-7273-000CN	1
29	Plate, right door link, fixed, rear	RL1-2282-000CN	1
30	Shaft, right door link	RU5-4979-000CN	2

# Internal components (5 of 9)

Figure 4-7 Internal components (5 of 9)

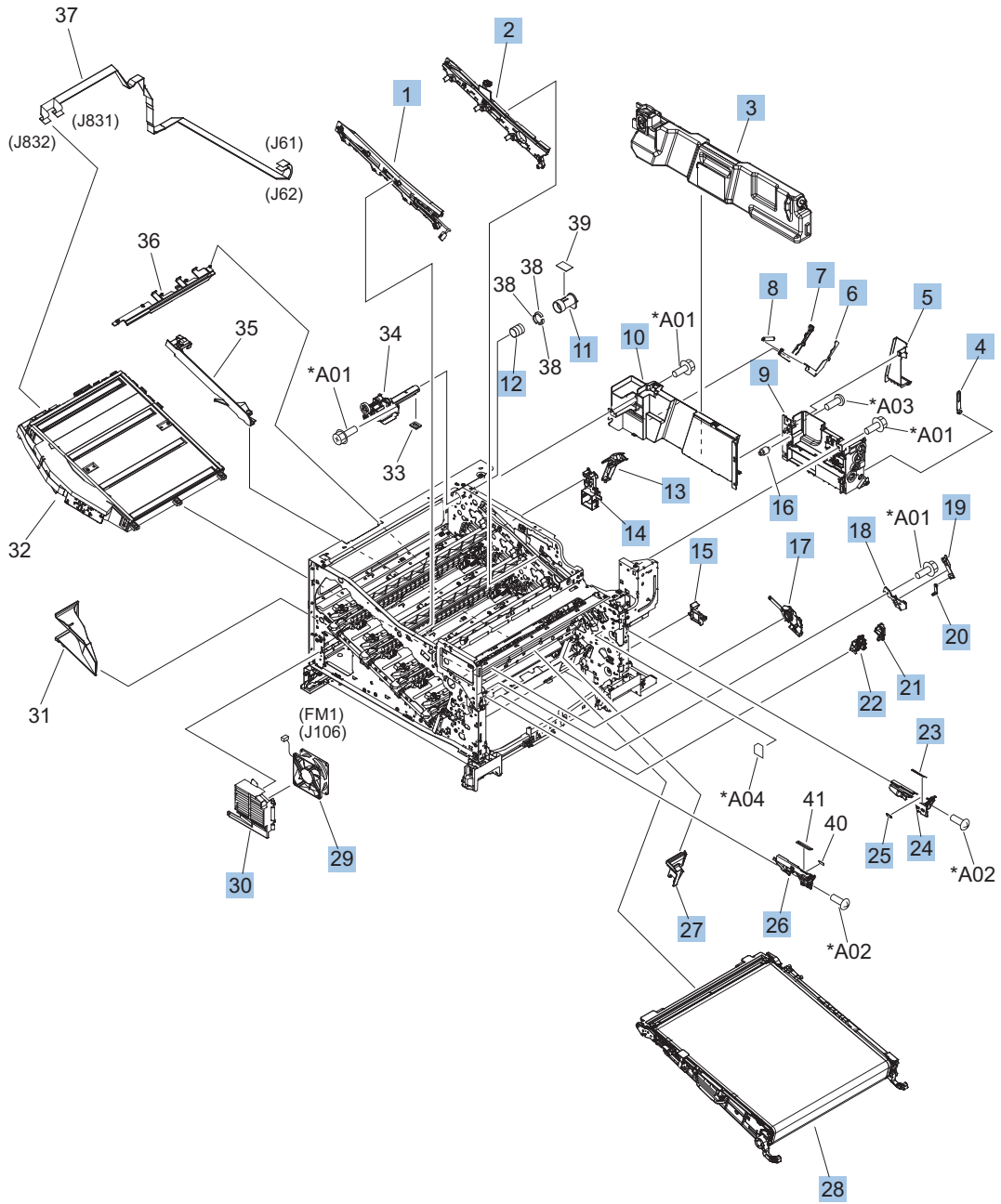


**Table 4-11 Internal components (5 of 9)**

<b>Ref</b>	<b>Description</b>	<b>Part number</b>	<b>Qty</b>
31	Lock, door link, right	RC2-7234-000CN	2
32	Link, right door, 2 rear	RC2-7236-000CN	1
33	Link, right door, 2 front	RC2-7233-000CN	1
34	Duct, joint	RC2-8360-000CN	1
35	Plate, right door link, fixed, front	RL1-2281-000CN	1
36	Hinge, right door, front	RC2-7094-000CN	1
37	Plate, right door link, front	RC2-7272-000CN	1
38	Spring, tension, front	RU6-2727-000CN	1
39	Rail, door link, front lower	RC2-6634-000CN	1

# Internal components (6 of 9)

Figure 4-8 Internal components (6 of 9)



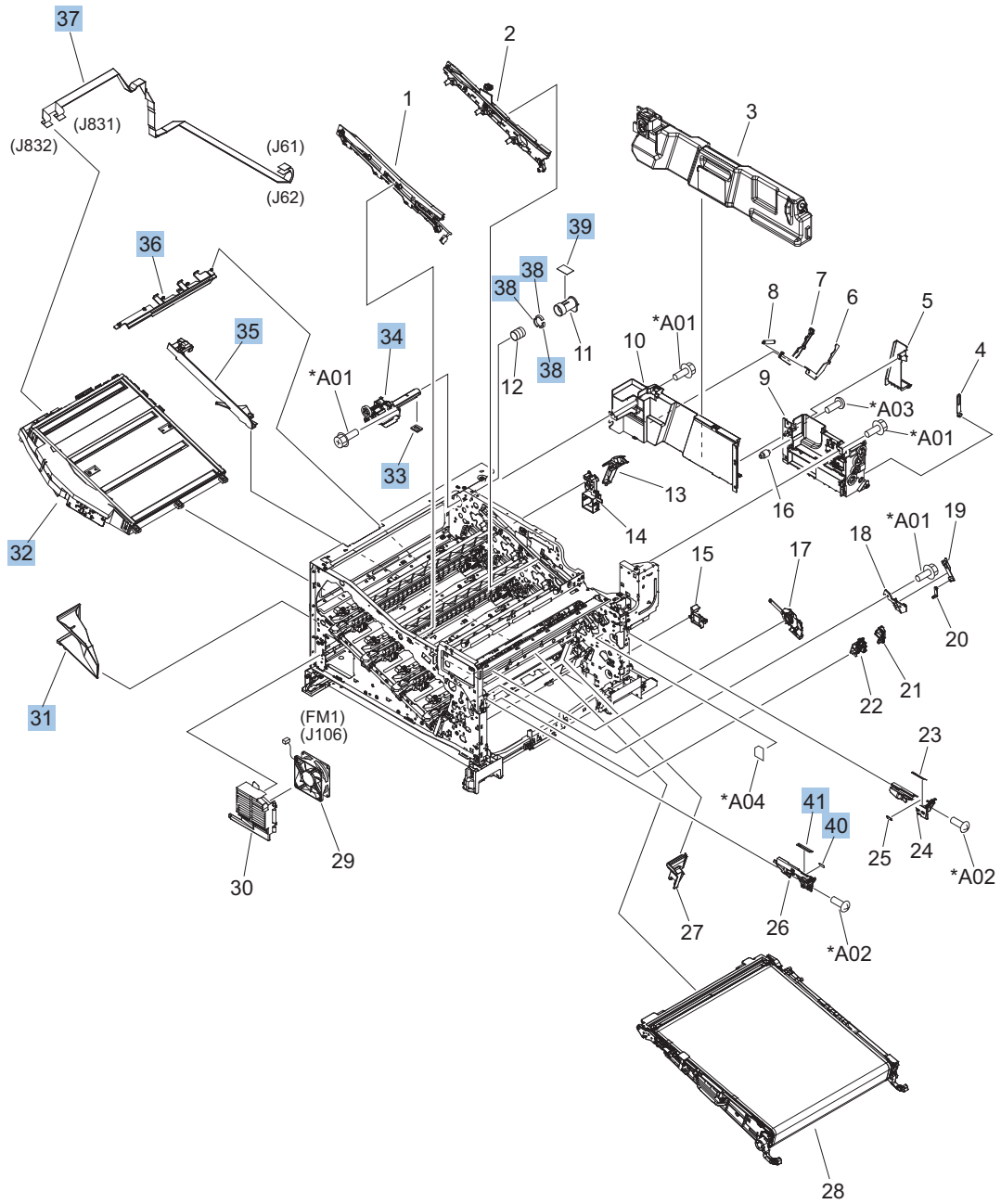


**Table 4-12 Internal components (6 of 9)**

<b>Ref</b>	<b>Description</b>	<b>Part number</b>	<b>Qty</b>
1	IT belt guide rail assembly	RM1-6018-000CN	1
2	IT belt guide rail R1 assembly	RM1-6037-000CN	1
3	Toner collection unit (included in the service kit)	CE980-67901	1
4	Arm, waste toner, left	RC2-7035-000CN	1
5	Cover, waste toner, 3	RC2-6963-000CN	1
6	Plate, arm reinforcement	RC2-9649-000CN	1
7	Arm, waste toner, right	RC2-7036-000CN	1
8	Spring, tension	RU6-2831-000CN	1
9	Waste toner cover assembly	RM1-6012-000CN	1
10	Cover, waste toner, 2	RC2-6962-000CN	1
11	Shutter, exhaust	RC2-7010-000CN	1
12	Spring, compression	RU6-2683-000CN	1
13	Guide, fuser AC cable	RC2-6693-000CN	1
14	Guide, LVT cable	RC2-6662-000CN	1
15	Clamp, edge	RC2-6663-000CN	1
16	Gear, link worm	RU6-0795-000CN	1
17	ITB guide rail assembly	RM1-6019-000CN	1
18	Guide, slide	RC2-7203-000CN	1
19	Slider, push	RC2-7201-000CN	1
20	Lever, lift, 1	RC2-7199-000CN	1
21	Cover, main cross-member cable	RC2-6650-000CN	1
22	Guide, main cross-member cable	RC2-6600-000CN	1
23	Label, ITB set, RH	RU5-8807-000CN	1
24	Rail, ITB guide	RC2-7185-000CN	1
25	Label, ITB, RV	RU5-8805-000CN	1
26	Rail, ITB guide, F3	RC2-7193-000CN	1
27	Guide, inside cable	RC2-6589-000CN	1
28	ITB assembly (included in the service kit; includes transfer roller)	CE710-67903	1
29	Fan, power supply	RK2-2276-000CN	1
30	Holder, power supply fan	RC2-7299-000CN	1

# Internal components (7 of 9)

Figure 4-9 Internal components (7 of 9)

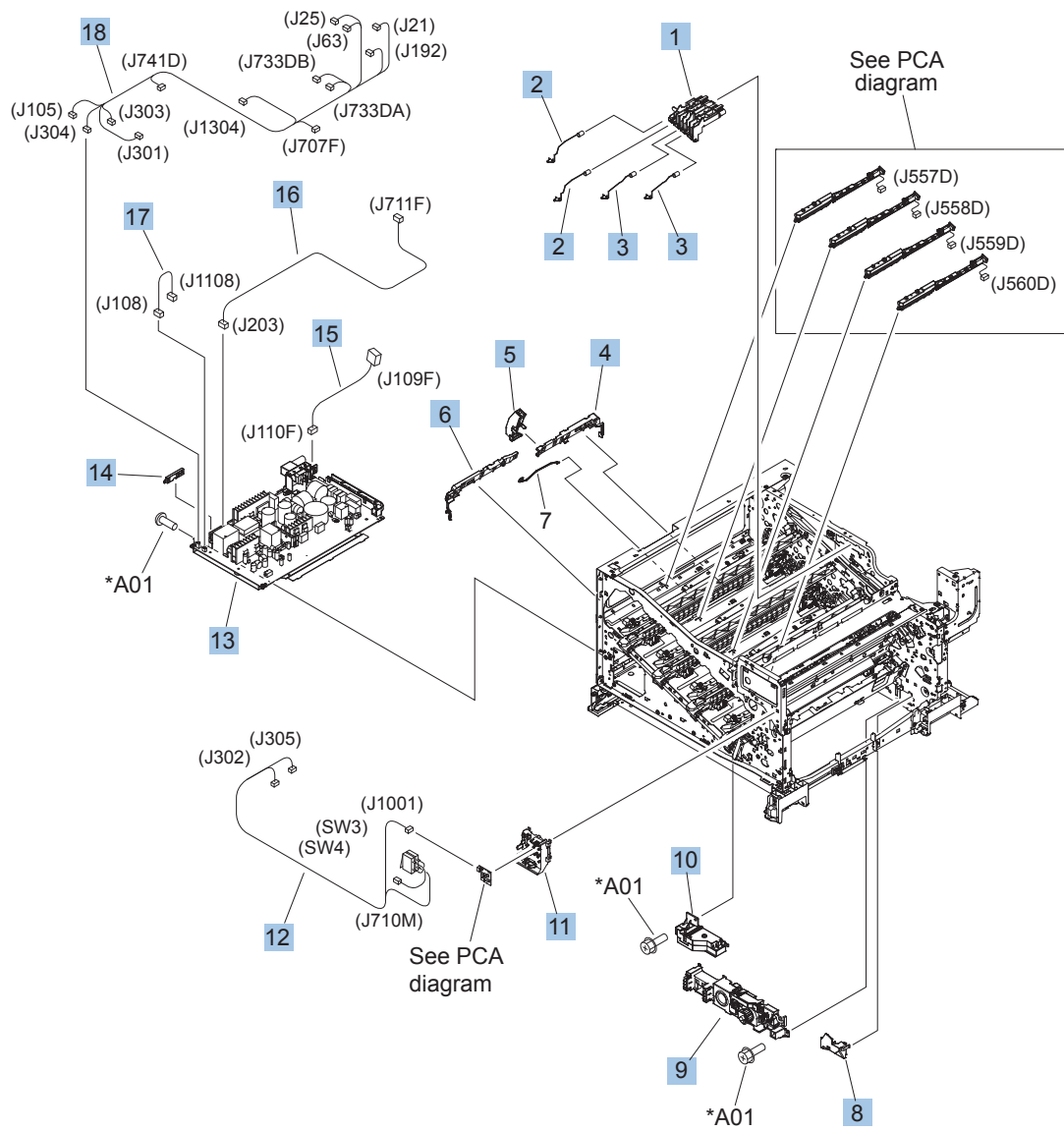


**Table 4-13 Internal components (7 of 9)**

<b>Ref</b>	<b>Description</b>	<b>Part number</b>	<b>Qty</b>
31	Duct, fan, 1	RC2-8388-000CN	1
32	Laser scanner assembly	RM1-6122-070CN	1
33	Seal, toner supporter guide 1	RC2-7018-000CN	1
34	Toner feed assembly	RM1-6040-000CN	1
35	Guide, laser	RC2-6628-000CN	1
36	Holder, flat flexible cable	RC2-6655-000CN	1
37	Cable assembly, flat-flexible	RM1-6804-000CN	1
38	Seal, slide shutter	RC3-1014-000CN	3
39	Sheet, slide seal	RC3-1013-000CN	1
40	Label, ITB insert, FV	RU5-8804-000CN	1
41	Label, ITB insert, FH	RU5-8806-000CN	1

# Internal components (8 of 9)

Figure 4-10 Internal components (8 of 9)

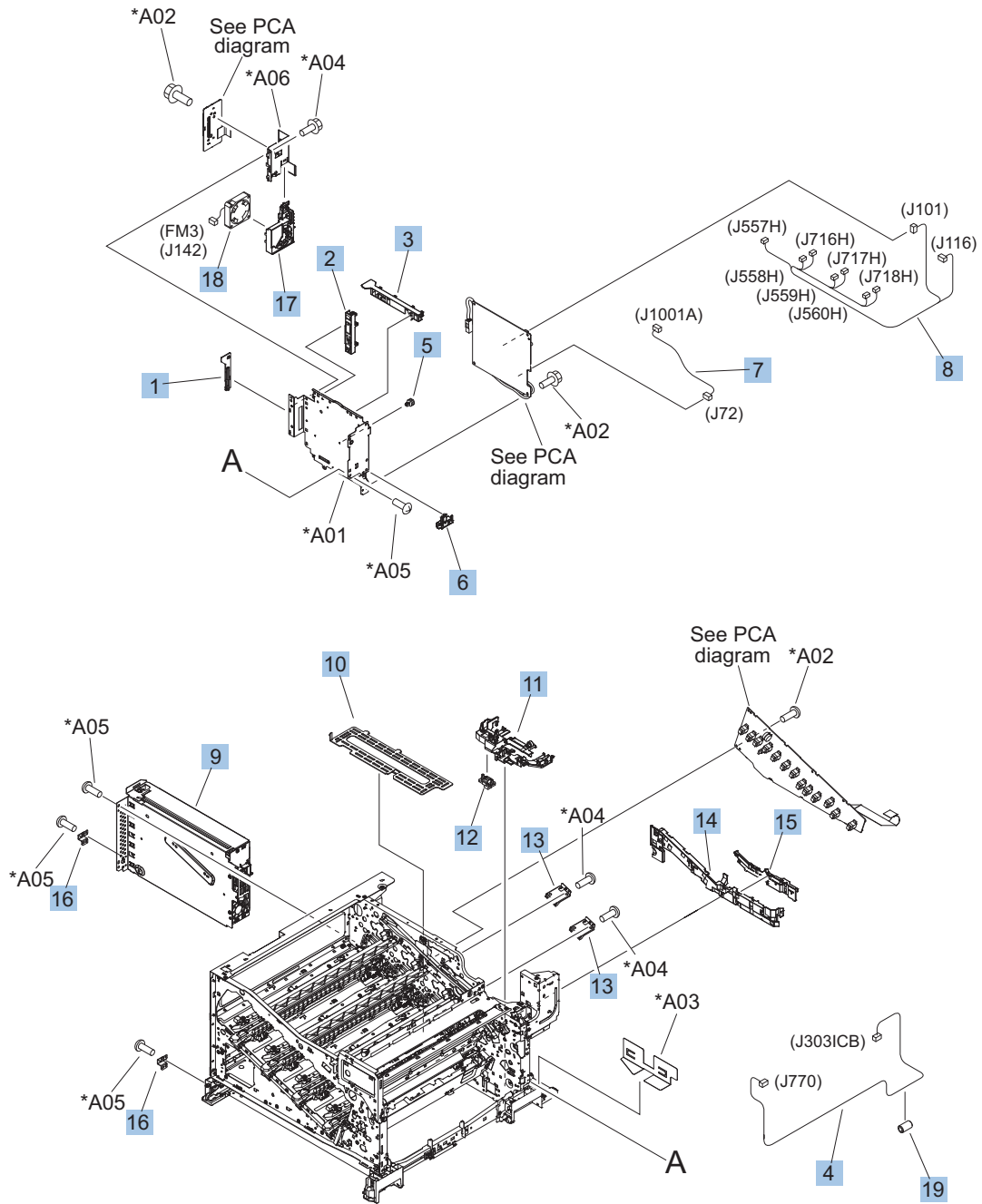


**Table 4-14 Internal components (8 of 9)**

<b>Ref</b>	<b>Description</b>	<b>Part number</b>	<b>Qty</b>
1	Holder, first power dispatching	RC2-6680-000CN	1
2	Spring, contact	RU6-2767-000CN	2
3	Spring, contact	RU6-2768-000CN	2
4	Guide, cross-member cable, rear	RC2-6588-000CN	1
5	Stopper, laser	RC2-6646-000CN	1
6	Guide, cross-member cable, front	RC2-6587-000CN	1
7	Spring, rod	RC2-6611-000CN	1
8	Cover, cable, right rear	RC2-8424-000CN	1
9	Lifter drive assembly	RM1-6039-000CN	1
10	Auto close assembly	RM1-6036-000CN	1
11	Holder, switch	RC2-6666-000CN	1
12	Cable, switch	RM1-6830-000CN	1
13	Low voltage power supply assembly, 110V	RM1-6753-000CN	1
13	Low voltage power supply assembly, 220V	RM1-6754-000CN	1
14	Guide, cable	RC3-0684-000CN	1
15	Cable, low-voltage AC joint	RM1-6811-000CN	1
16	Cable, low-voltage power supply	RM1-6807-000CN	1
17	Cable, low-voltage power supply, test	RM1-6813-000CN	1
18	Cable, left, high-voltage power supply to low-voltage power supply	RM1-6833-000CN	1

# Internal components (9 of 9)

Figure 4-11 Internal components (9 of 9)

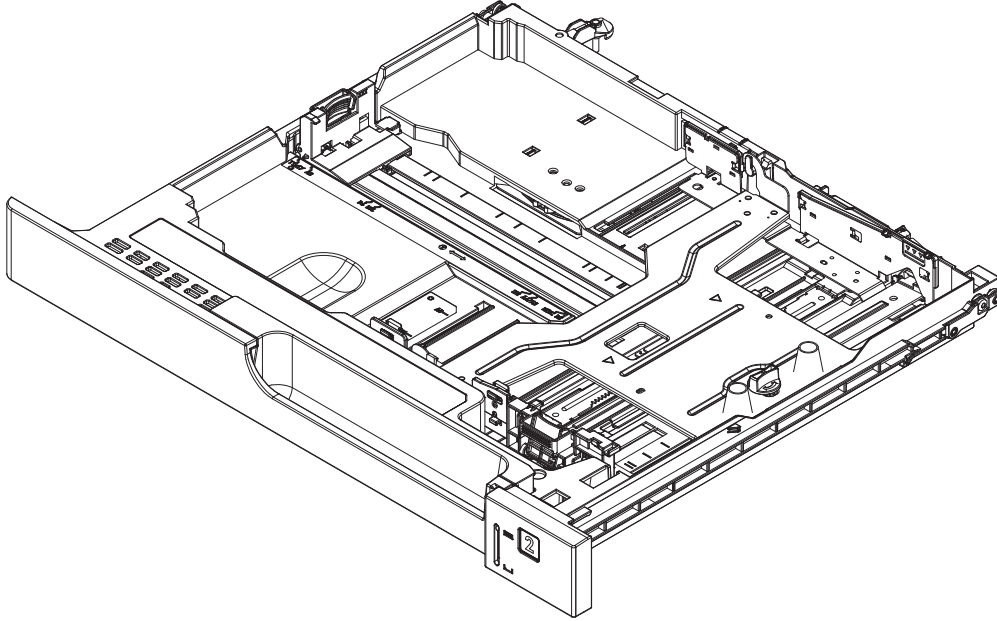


**Table 4-15 Internal components (9 of 9)**

<b>Ref</b>	<b>Description</b>	<b>Part number</b>	<b>Qty</b>
1	Clamp, edge, D	RC2-6674-000CN	1
2	Guide, cable, right	RC2-6842-000CN	1
3	Guide, cable, upper	RC2-6841-000CN	1
4	Cable, PNL-H-HI	RM1-6849-000CN	1
5	Spacer, DC controller PCA	VT2-5176-004CN	5
6	Guide, DC cont. support cable	RC2-6665-000CN	1
7	Cable, primary transfer	RM1-6822-000CN	1
8	Cable, rear	RM1-6863-000CN	1
9	Formatter case	RM1-6065-000CN	1
10	Plate, FFC protective	RC2-9687-000CN	1
11	Holder, paper pick-up connector	RC2-6638-000CN	1
12	Connector, 8-pin, paper-pick-up	VS1-7514-008CN	1
13	Plate, box pillar	RC2-6673-000CN	2
14	Guide, imaging HVT cable	RC2-6661-000CN	1
15	Cover, imaging HVT cable	RC2-6573-000CN	1
16	Cross-member, cover, left	RC2-6760-000CN	2
17	Holder, formatter fan	RC2-6648-000CN	1
18	Fan, formatter	RK2-3301-000CN	1
19	Core, ring	WE8-6639-000CN	1

# 1x250 cassette

Figure 4-12 1x250 cassette



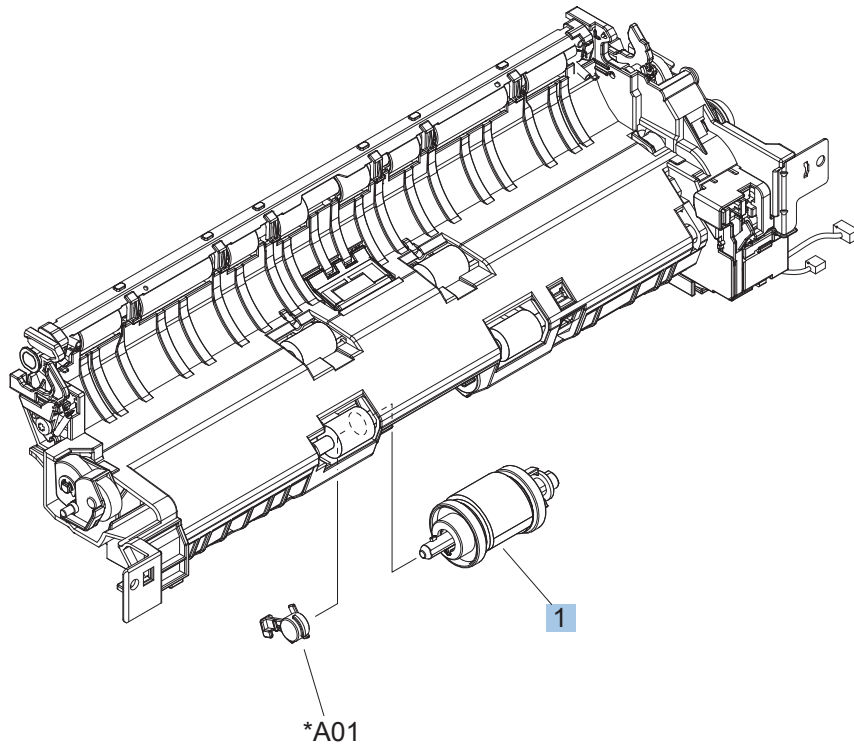


**Table 4-16 1x250 cassette**

<b>Ref</b>	<b>Description</b>	<b>Part number</b>	<b>Qty</b>
	Cassette	CE710-67906	1

# Paper pick-up assembly

Figure 4-13 Paper pick-up assembly

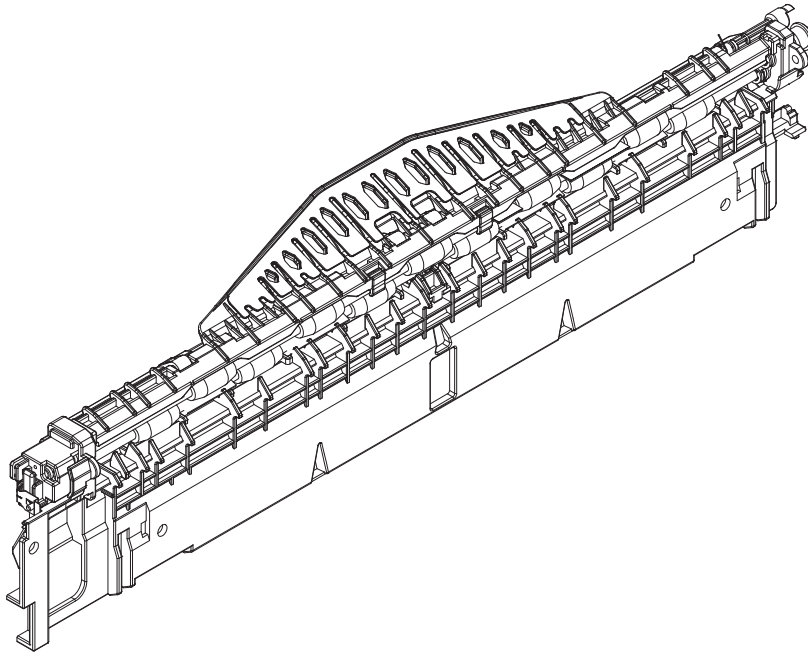


**Table 4-17 Paper pick-up assembly**

<b>Ref</b>	<b>Description</b>	<b>Part number</b>	<b>Qty</b>
	Paper pick-up assembly	RM1-7916-000CN	1
1	Paper pick-up roller assembly (included in service kit)	CE707-67903	1

# Paper delivery assembly

Figure 4-14 Paper delivery assembly

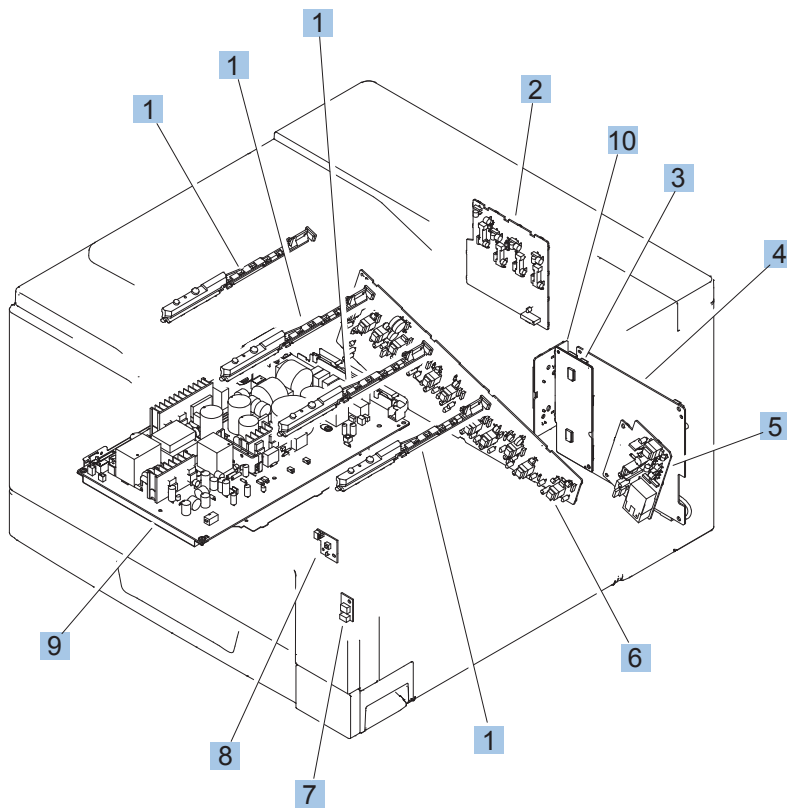


**Table 4-18 Paper delivery assembly**

<b>Ref</b>	<b>Description</b>	<b>Part number</b>	<b>Qty</b>
	Paper delivery assembly	RM1-6165-000CN	1

# Printed circuit assemblies

Figure 4-15 PCAs



**Table 4-19 PCAs**

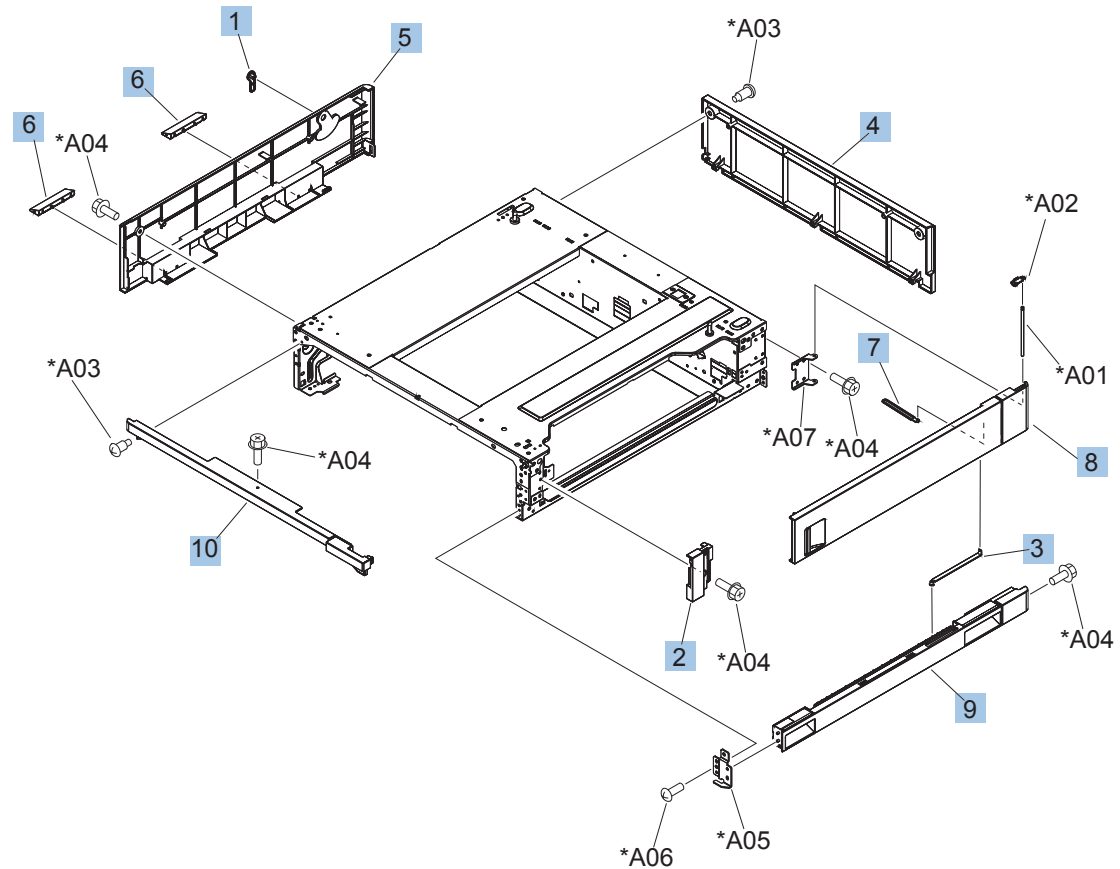
<b>Ref</b>	<b>Description</b>	<b>Part number</b>	<b>Qty</b>
1	Toner remaining detect PCA	RM1-6779-000CN	4
2	Primary transfer high-voltage PCA	RM1-7004-000CN	1
3	Driver PCA (duplex model)	RM1-6742-000CN	1
3	Driver PCA (simplex model)	RM1-6783-000CN	1
4	DC Controller PCA (duplex model)	CE708-67902	1
4	DC Controller PCA (simplex model)	CE707-67906	1
5	Secondary transfer high-voltage PCA	RM1-6802-000CN	1
6	Imaging high-voltage PCA	RM1-6800-000CN	1
7	Environment sensor PCA	RK2-2884-000CN	1
8	Power switch PCA	RM1-6759-000CN	1
9	Low-voltage power supply PCA (110V)	RM1-6753-000CN	1
9	Low-voltage power supply PCA (220V)	RM1-6754-000CN	1
Not shown	Formatter PCA	CE707-69001	1
10	Inter connect board (ICB) PCA	CE707-67907	1

# 1x500 paper feeder

The 1x500 paper feeder is referred to as the 1x500PF.

## 1x500PF external components

Figure 4-16 1x500PF external components



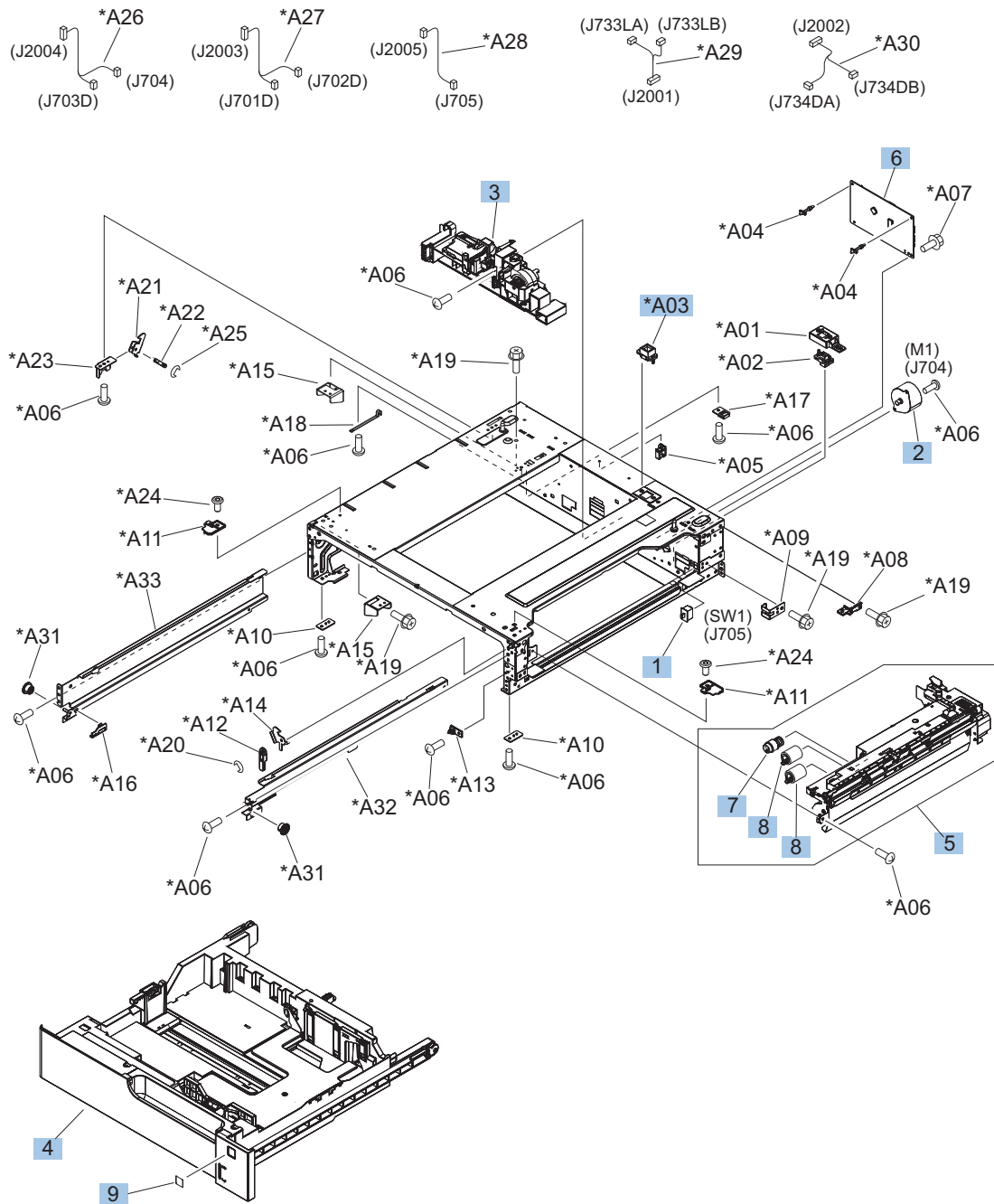


**Table 4-20 1x500PF external components**

<b>Ref</b>	<b>Description</b>	<b>Part number</b>	<b>Qty</b>
1	Handle, lock, rear (1x500PF)	RC2-9303-000CN	1
2	Cover, right front (1x500PF)	RC2-9320-000CN	1
3	Link, right door, lower (1x500PF)	RC2-9327-000CN	1
4	Cover, rear (1x500PF)	RC2-9330-000CN	1
5	Cover, left (1x500PF)	RC2-9331-000CN	1
6	Cover, handle, lower (1x500PF)	RC2-9332-000CN	2
7	Link, right door, upper (1x500PF)	RC2-9335-000CN	1
8	Right door assembly (1x500PF)	RM1-6946-000CN	1
9	Cover, right lower assembly (1x500PF)	RM1-6948-000CN	1
10	Cover, upper front assembly (1x500PF)	RM1-6949-000CN	1

# 1x500PF internal components

Figure 4-17 1x500PF internal components

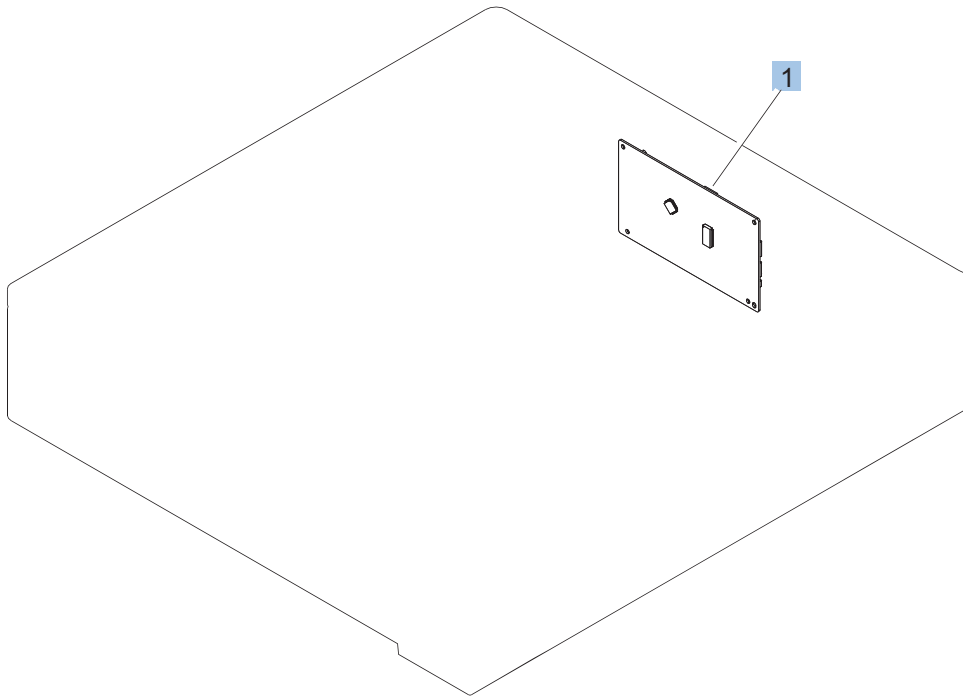


**Table 4-21 1x500PF internal components**

<b>Ref</b>	<b>Description</b>	<b>Part number</b>	<b>Qty</b>
1	Switch, bottom (1x500PF)	WC2-5512-000CN	1
2	Motor, pick-up (1x500PF)	RK2-1331-000CN	1
3	Lifter drive assembly (1x500PF)	RM1-3819-000CN	1
4	Cassette (1x500PF)	RM1-6942-000CN	1
5	Paper pick-up assembly (1x500PF)	RM1-6944-000CN	1
6	Paper feeder driver PCA (1x500PF)	RM1-6987-000CN	1
7	Roller, pick-up, paper feeder (included in service kit)	CE710-67908	1
8	Roller, feed, paper feeder (included in service kit)	CE710-67908	2
9	Label, cassette number (1x500PF)	RC2-9363-000CN	1
A03	Connector, 8P (1x500PF)	VS1-7514-008CN	1

# 1x500PF PCA

Figure 4-18 1x500PF PCA



**Table 4-22 1x500PF PCA**

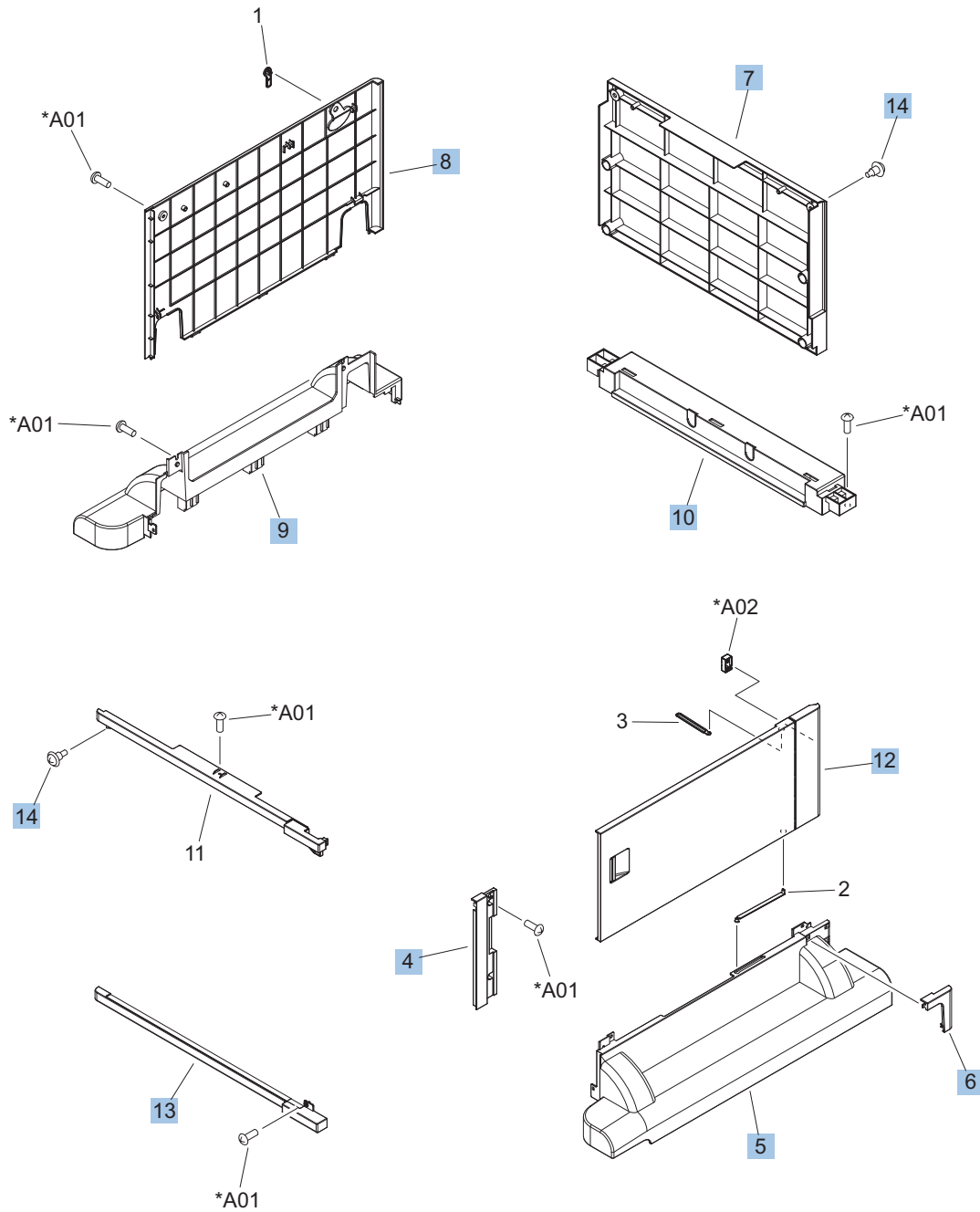
<b>Ref</b>	<b>Description</b>	<b>Part number</b>	<b>Qty</b>
1	Paper feeder driver PCA (1x500PF)	RM1-6987-000CN	1

# 3x500 paper feeder

The 3x500 paper feeder is referred to as the 3x500PF.

## 3x500PF external components

Figure 4-19 3x500PF external components

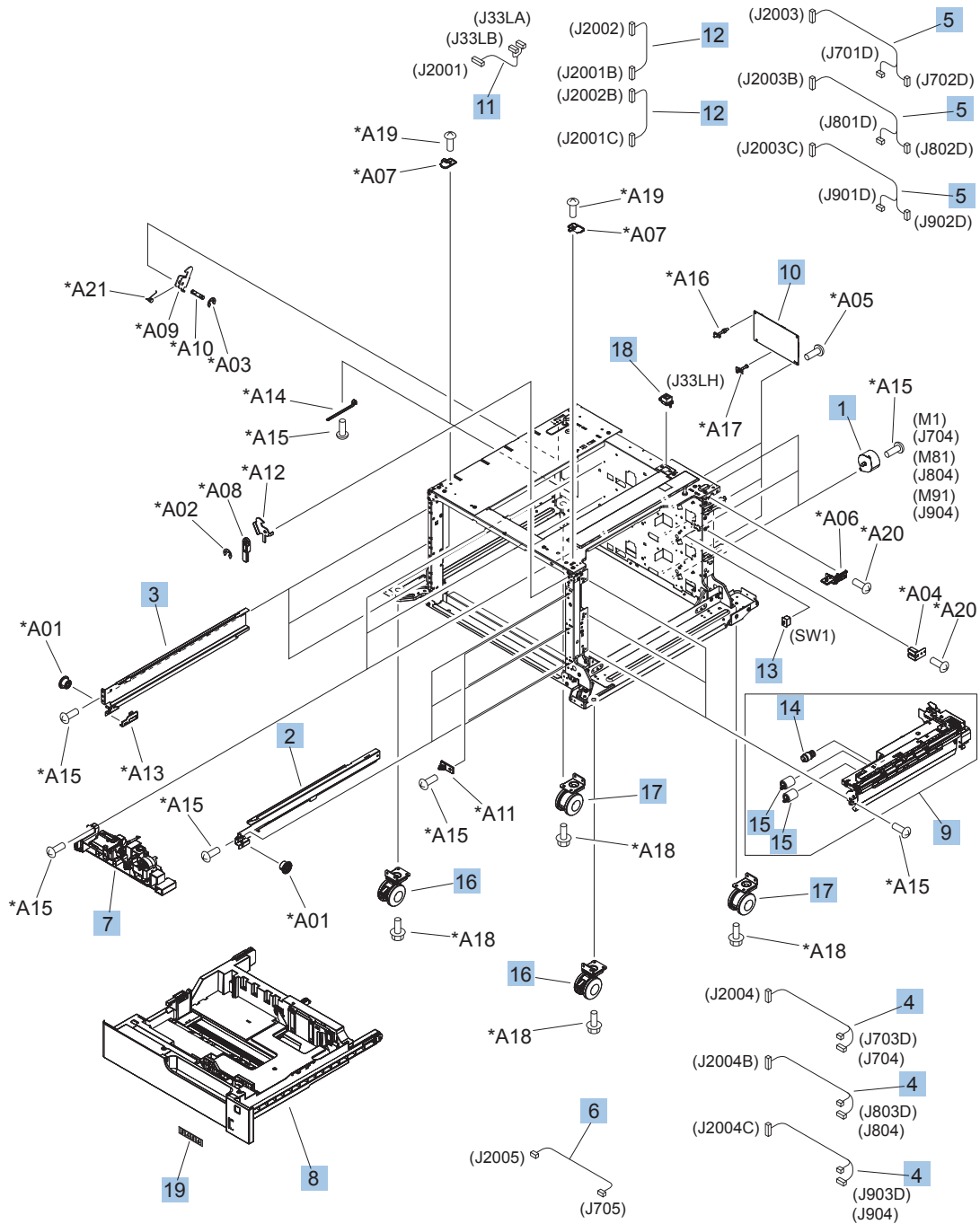


**Table 4-23 3x500PF external components**

<b>Ref</b>	<b>Description</b>	<b>Part number</b>	<b>Qty</b>
4	Cover, right corner (3x500PF)	RC2-9343-000CN	1
5	Cover, right lower, 1 (3x500PF)	RC2-9346-000CN	1
6	Cover, right lower, 2 (3x500PF)	RC2-9347-000CN	1
7	Cover, rear (3x500PF)	RC2-9348-000CN	1
8	Cover, left (3x500PF)	RC2-9349-000CN	1
9	Cover, left lower (3x500PF)	RC2-9350-000CN	1
10	Cover, rear lower (3x500PF)	RC2-9357-000CN	1
12	Right door assembly (3x500PF)	RM1-6953-000CN	1
13	Front lower cover assembly (3x500PF)	RM1-6958-000CN	1
14	Screw, stepped (3x500PF)	RS5-9099-000CN	3

# 3x500PF internal components

Figure 4-20 3x500PF internal components



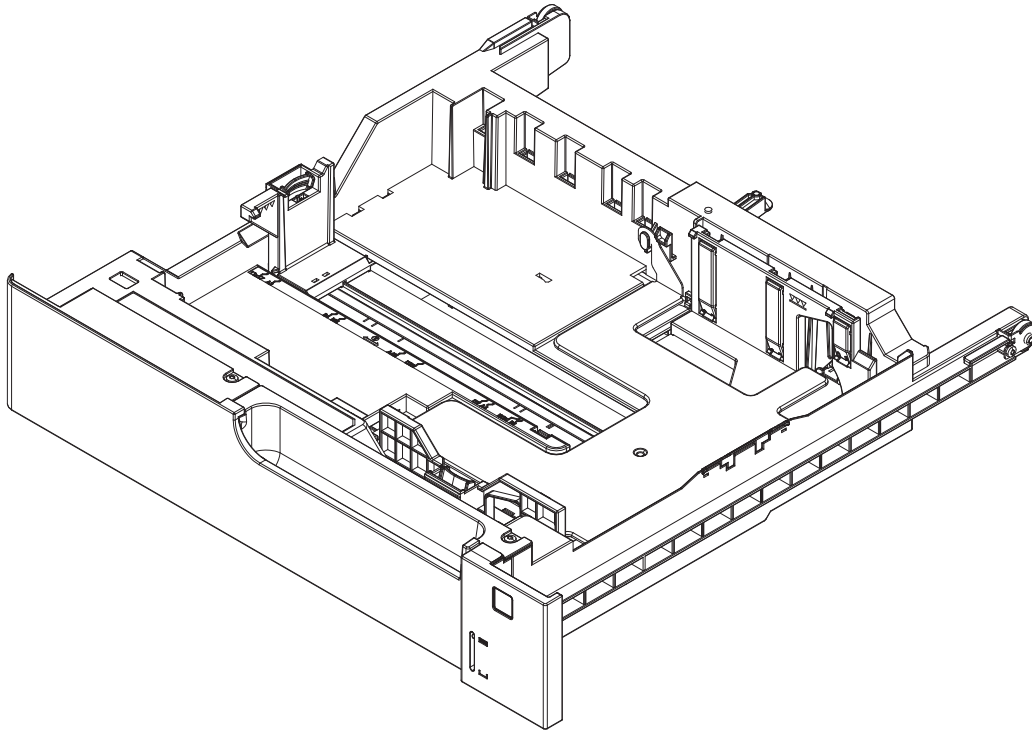


**Table 4-24 3x500PF internal components**

<b>Ref</b>	<b>Description</b>	<b>Part number</b>	<b>Qty</b>
1	Motor, stepping, DC (3x500PF)	RK2-1331-000CN	3
2	Rail, cassette, right (3x500PF)	RL1-1390-000CN	3
3	Rail, cassette, left (3x500PF)	RL1-1391-000CN	3
4	Cable, paper pick-up option (3x500PF)	RM1-3575-000CN	3
5	Cable, multisensor (3x500PF)	RM1-3647-000CN	3
6	Cable, door open switch (3x500PF)	RM1-3651-000CN	1
7	Lifter drive assembly (3x500PF)	RM1-3819-000CN	3
8	Cassette (3x500PF)	RM1-6942-000CN	1
9	Paper pick-up assembly (3x500PF)	RM1-6944-000CN	3
10	Feeder PCA (3x500PF)	RM1-6989-000CN	1
11	Cable, engine interface (3x500PF)	RM1-6991-000CN	1
12	Cable, PCA joint (3x500PF)	RM1-6992-000CN	2
13	Switch, button (3x500PF)	WC2-5512-000CN	1
14	Roller, pick-up (included in the service kit; 3x500PF)	CE710-67908	1
15	Paper feed roller assembly (included in the service kit; 3x500PF)	CE710-67908	2
16	Caster, double lock, front (3x500PF)	RC1-9896-000CN	2
17	Caster, rear (3x500PF)	RC1-9917-000CN	2
18	Connector, 8P (3x500PF)	VS1-7500-008CN	1
19	Label, cassette number (3x500PF)	RC3-1824-000CN	1

## 3x500PF cassette

Figure 4-21 3x500PF cassette

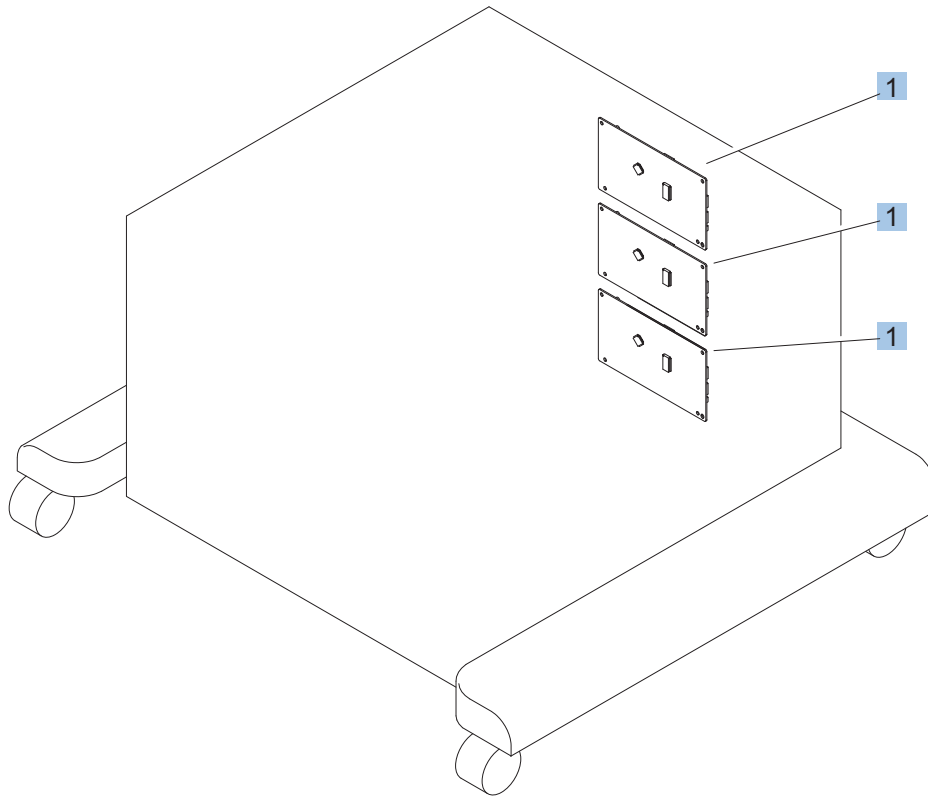


**Table 4-25 3x500PF cassette**

<b>Ref</b>	<b>Description</b>	<b>Part number</b>	<b>Qty</b>
	Cassette (3x500PF)	RM1-6942-000CN	3

## 3x500PF PCAs

Figure 4-22 3x500PF PCAs



**Table 4-26 3x500PF PCAs**

<b>Ref</b>	<b>Description</b>	<b>Part number</b>	<b>Qty</b>
1	Feeder PCAs (3x500PF)	RM1-6989-000CN	3

# Alphabetical parts list

**Table 4-27 Alphabetical parts list**

<b>Description</b>	<b>Part number</b>	<b>Table and page</b>
Arm, front cover, 1	RC2-6732-000CN	<a href="#">Internal components (1 of 9) on page 565</a>
Arm, front cover, 2	RC2-6733-000CN	<a href="#">Internal components (1 of 9) on page 565</a>
Arm, ITB coupling release	RC2-6824-000CN	<a href="#">Internal components (4 of 9) on page 571</a>
Arm, waste toner, left	RC2-7035-000CN	<a href="#">Internal components (6 of 9) on page 575</a>
Arm, waste toner, right	RC2-7036-000CN	<a href="#">Internal components (6 of 9) on page 575</a>
Auto close assembly	RM1-6036-000CN	<a href="#">Internal components (8 of 9) on page 579</a>
Cable assembly, flat-flexible	RM1-6804-000CN	<a href="#">Internal components (7 of 9) on page 577</a>
Cable, door open switch (3x500PF)	RM1-3651-000CN	<a href="#">3x500PF internal components on page 599</a>
Cable, engine interface (3x500PF)	RM1-6991-000CN	<a href="#">3x500PF internal components on page 599</a>
Cable, feed joint, duplex model	RM1-6846-000CN	<a href="#">Internal components (4 of 9) on page 571</a>
Cable, left, high-voltage power supply to low-voltage power supply	RM1-6833-000CN	<a href="#">Internal components (8 of 9) on page 579</a>
Cable, low-voltage AC joint	RM1-6811-000CN	<a href="#">Internal components (8 of 9) on page 579</a>
Cable, low-voltage power supply	RM1-6807-000CN	<a href="#">Internal components (8 of 9) on page 579</a>
Cable, low-voltage power supply, test	RM1-6813-000CN	<a href="#">Internal components (8 of 9) on page 579</a>
Cable, multisensor (3x500PF)	RM1-3647-000CN	<a href="#">3x500PF internal components on page 599</a>
Cable, paper pick-up option (3x500PF)	RM1-3575-000CN	<a href="#">3x500PF internal components on page 599</a>
Cable, PCA joint (3x500PF)	RM1-6992-000CN	<a href="#">3x500PF internal components on page 599</a>
Cable, PNL-H-HI	RM1-6849-000CN	<a href="#">Internal components (9 of 9) on page 581</a>
Cable, primary transfer	RM1-6822-000CN	<a href="#">Internal components (9 of 9) on page 581</a>

**Table 4-27 Alphabetical parts list (continued)**

<b>Description</b>	<b>Part number</b>	<b>Table and page</b>
Cable, rear	RM1-6863-000CN	<a href="#">Internal components (9 of 9) on page 581</a>
Cable, SB joint, low-voltage power supply, duplex model	RM1-6867-000CN	<a href="#">Internal components (3 of 9) on page 569</a>
Cable, switch	RM1-6830-000CN	<a href="#">Internal components (8 of 9) on page 579</a>
Cable, USB	RK2-2901-000CN	<a href="#">External covers, panels, and doors on page 561</a>
Cap, T2 contact, second-transfer high-voltage PCA	RC2-6691-000CN	<a href="#">Internal components (4 of 9) on page 571</a>
Cassette	CE710-67906	<a href="#">1x250 cassette on page 583</a>
Cassette (1x500PF)	RM1-6942-000CN	<a href="#">1x500PF internal components on page 593</a>
Cassette (3x500PF)	RM1-6942-000CN	<a href="#">3x500PF internal components on page 599</a>
Cassette (3x500PF)	RM1-6942-000CN	<a href="#">3x500PF cassette on page 601</a>
Caster, double lock, front (3x500PF)	RC1-9896-000CN	<a href="#">3x500PF internal components on page 599</a>
Caster, rear (3x500PF)	RC1-9917-000CN	<a href="#">3x500PF internal components on page 599</a>
Clamp, edge	RC2-6663-000CN	<a href="#">Internal components (6 of 9) on page 575</a>
Clamp, edge, D	RC2-6674-000CN	<a href="#">Internal components (9 of 9) on page 581</a>
Connector, 8-pin, paper-pick-up	VS1-7514-008CN	<a href="#">Internal components (9 of 9) on page 581</a>
Connector, 8P (1x500PF)	VS1-7514-008CN	<a href="#">1x500PF internal components on page 593</a>
Connector, 8P (3x500PF)	VS1-7500-008CN	<a href="#">3x500PF internal components on page 599</a>
Connector, snap tight, black	VS1-7207-019CN	<a href="#">Internal components (3 of 9) on page 569</a>
Core, ring	WE8-6639-000CN	<a href="#">Internal components (9 of 9) on page 581</a>
Cover, cable, protective	RC2-6832-000CN	<a href="#">Internal components (3 of 9) on page 569</a>
Cover, cable, right rear	RC2-8424-000CN	<a href="#">Internal components (8 of 9) on page 579</a>

**Table 4-27 Alphabetical parts list (continued)**

<b>Description</b>	<b>Part number</b>	<b>Table and page</b>
Cover, connector, lower	RC2-6642-000CN	<a href="#">Internal components (3 of 9) on page 569</a>
Cover, duplexing gear, duplex model	RC2-6931-000CN	<a href="#">Internal components (4 of 9) on page 571</a>
Cover, front assembly	RM1-7133-000CN	<a href="#">External covers, panels, and doors on page 561</a>
Cover, gear, simplex model	RC3-0688-000CN	<a href="#">Internal components (4 of 9) on page 571</a>
Cover, guide	RC2-7204-000CN	<a href="#">Internal components (1 of 9) on page 565</a>
Cover, handle guide	RC2-6670-000CN	<a href="#">Internal components (2 of 9) on page 567</a>
Cover, handle, lower (1x500PF)	RC2-9332-000CN	<a href="#">1x500PF external components on page 591</a>
Cover, handle, lower-left	RC2-6625-000CN	<a href="#">External covers, panels, and doors on page 561</a>
Cover, handle, lower-right, front	RC2-6627-000CN	<a href="#">External covers, panels, and doors on page 561</a>
Cover, handle, lower-right, rear	RC2-6626-000CN	<a href="#">External covers, panels, and doors on page 561</a>
Cover, imaging HVT cable	RC2-6573-000CN	<a href="#">Internal components (9 of 9) on page 581</a>
Cover, left (1x500PF)	RC2-9331-000CN	<a href="#">1x500PF external components on page 591</a>
Cover, left (3x500PF)	RC2-9349-000CN	<a href="#">3x500PF external components on page 597</a>
Cover, left assembly	RM1-7143-000CN	<a href="#">External covers, panels, and doors on page 561</a>
Cover, left lower (3x500PF)	RC2-9350-000CN	<a href="#">3x500PF external components on page 597</a>
Cover, lower front	RC2-6737-000CN	<a href="#">Internal components (1 of 9) on page 565</a>
Cover, main cross-member cable	RC2-6650-000CN	<a href="#">Internal components (6 of 9) on page 575</a>
Cover, main drive cable, lower	RC2-6574-000CN	<a href="#">Internal components (4 of 9) on page 571</a>
Cover, rear	RM1-7147-000CN	<a href="#">External covers, panels, and doors on page 561</a>
Cover, rear (1x500PF)	RC2-9330-000CN	<a href="#">1x500PF external components on page 591</a>



**Table 4-27 Alphabetical parts list (continued)**

<b>Description</b>	<b>Part number</b>	<b>Table and page</b>
Cover, rear (3x500PF)	RC2-9348-000CN	<a href="#">3x500PF external components on page 597</a>
Cover, rear lower (3x500PF)	RC2-9357-000CN	<a href="#">3x500PF external components on page 597</a>
Cover, right corner (3x500PF)	RC2-9343-000CN	<a href="#">3x500PF external components on page 597</a>
Cover, right front (1x500PF)	RC2-9320-000CN	<a href="#">1x500PF external components on page 591</a>
Cover, right front assembly (includes control panel)	RM1-7144-000CN	<a href="#">External covers, panels, and doors on page 561</a>
Cover, right lower assembly (1x500PF)	RM1-6948-000CN	<a href="#">1x500PF external components on page 591</a>
Cover, right lower, 1 (3x500PF)	RC2-9346-000CN	<a href="#">3x500PF external components on page 597</a>
Cover, right lower, 2 (3x500PF)	RC2-9347-000CN	<a href="#">3x500PF external components on page 597</a>
Cover, right rear	RM1-7142-000CN	<a href="#">External covers, panels, and doors on page 561</a>
Cover, top	RM1-7148-000CN	<a href="#">External covers, panels, and doors on page 561</a>
Cover, upper front assembly (1x500PF)	RM1-6949-000CN	<a href="#">1x500PF external components on page 591</a>
Cover, waste toner, 2	RC2-6962-000CN	<a href="#">Internal components (6 of 9) on page 575</a>
Cover, waste toner, 3	RC2-6963-000CN	<a href="#">Internal components (6 of 9) on page 575</a>
Cross-member, cover, left	RC2-6760-000CN	<a href="#">Internal components (9 of 9) on page 581</a>
DC Controller PCA (duplex model)	CE708-67902	<a href="#">PCAs on page 589</a>
DC Controller PCA (simplex model)	CE707-67906	<a href="#">PCAs on page 589</a>
DC motor assembly	RM1-6088-000CN	<a href="#">Internal components (4 of 9) on page 571</a>
Door, inner, service kit includes all labels	CE707-67904	<a href="#">Internal components (1 of 9) on page 565</a>
Door, right upper	RC2-7091-000CN	<a href="#">Right door assembly on page 563</a>
Door, toner collection unit access	RC2-7034-000CN	<a href="#">External covers, panels, and doors on page 561</a>
Drive assembly, duplex reverse, duplex model	RM1-6005-000CN	<a href="#">Internal components (3 of 9) on page 569</a>

**Table 4-27 Alphabetical parts list (continued)**

<b>Description</b>	<b>Part number</b>	<b>Table and page</b>
Drive assembly, simplex reverse, simplex model	RM1-6120-000CN	<a href="#">Internal components (3 of 9) on page 569</a>
Driver PCA (duplex model)	RM1-6742-000CN	<a href="#">PCAs on page 589</a>
Driver PCA (simplex model)	RM1-6783-000CN	<a href="#">PCAs on page 589</a>
Duct, fan, 1	RC2-8388-000CN	<a href="#">Internal components (7 of 9) on page 577</a>
Duct, front	RC2-7300-000CN	<a href="#">Internal components (1 of 9) on page 565</a>
Duct, joint	RC2-8360-000CN	<a href="#">Internal components (4 of 9) on page 571</a>
Environment sensor PCA	RK2-2884-000CN	<a href="#">PCAs on page 589</a>
Fan, formatter	RK2-3301-000CN	<a href="#">Internal components (9 of 9) on page 581</a>
Fan, fuser	RK2-2728-000CN	<a href="#">Internal components (2 of 9) on page 567</a>
Fan, power supply	RK2-2276-000CN	<a href="#">Internal components (6 of 9) on page 575</a>
Feeder PCA (3x500PF)	RM1-6989-000CN	<a href="#">3x500PF internal components on page 599</a>
Feeder PCAs (3x500PF)	RM1-6989-000CN	<a href="#">3x500PF PCAs on page 603</a>
Formatter case	RM1-6065-000CN	<a href="#">Internal components (9 of 9) on page 581</a>
Formatter PCA	CE707-69001	<a href="#">PCAs on page 589</a>
Front lower cover assembly (3x500PF)	RM1-6958-000CN	<a href="#">3x500PF external components on page 597</a>
Fuser assembly, 110V (included in service kit)	RM1-6180-000CN	<a href="#">Internal components (3 of 9) on page 569</a>
Fuser assembly, 220V (included in service kit)	RM1-6181-000CN	<a href="#">Internal components (3 of 9) on page 569</a>
Fuser drive assembly	CE707-67904	<a href="#">Internal components (3 of 9) on page 569</a>
Fuser motor assembly	RM1-6074-000CN	<a href="#">Internal components (3 of 9) on page 569</a>
Gear assembly, fuser	RM1-7914-060CN	<a href="#">Internal components (3 of 9) on page 569</a>
Gear, 18T/29T	RU6-0775-000CN	<a href="#">Internal components (3 of 9) on page 569</a>
Gear, 25T, duplex model	RU6-0771-000CN	<a href="#">Internal components (4 of 9) on page 571</a>

**Table 4-27 Alphabetical parts list (continued)**

<b>Description</b>	<b>Part number</b>	<b>Table and page</b>
Gear, 25T, duplex model	RU6-0772-000CN	<a href="#">Internal components (4 of 9) on page 571</a>
Gear, 74T, duplex model	RU6-0773-000CN	<a href="#">Internal components (4 of 9) on page 571</a>
Gear, link worm	RU6-0795-000CN	<a href="#">Internal components (6 of 9) on page 575</a>
Guide, arm, front	RC2-6632-000CN	<a href="#">Internal components (1 of 9) on page 565</a>
Guide, cable	RC3-0684-000CN	<a href="#">Internal components (8 of 9) on page 579</a>
Guide, cable, right	RC2-6842-000CN	<a href="#">Internal components (9 of 9) on page 581</a>
Guide, cable, upper	RC2-6841-000CN	<a href="#">Internal components (9 of 9) on page 581</a>
Guide, cross-member cable, front	RC2-6587-000CN	<a href="#">Internal components (8 of 9) on page 579</a>
Guide, cross-member cable, rear	RC2-6588-000CN	<a href="#">Internal components (8 of 9) on page 579</a>
Guide, DC cont. support cable	RC2-6665-000CN	<a href="#">Internal components (9 of 9) on page 581</a>
Guide, fuser AC cable	RC2-6693-000CN	<a href="#">Internal components (6 of 9) on page 575</a>
Guide, fuser, front	RC2-6546-000CN	<a href="#">Internal components (3 of 9) on page 569</a>
Guide, fuser, rear	RC2-6547-000CN	<a href="#">Internal components (3 of 9) on page 569</a>
Guide, imaging HVT cable	RC2-6661-000CN	<a href="#">Internal components (9 of 9) on page 581</a>
Guide, inside cable	RC2-6589-000CN	<a href="#">Internal components (6 of 9) on page 575</a>
Guide, laser	RC2-6628-000CN	<a href="#">Internal components (7 of 9) on page 577</a>
Guide, LVT cable	RC2-6662-000CN	<a href="#">Internal components (6 of 9) on page 575</a>
Guide, main cross-member cable	RC2-6600-000CN	<a href="#">Internal components (6 of 9) on page 575</a>
Guide, main drive cable	RC2-6659-000CN	<a href="#">Internal components (4 of 9) on page 571</a>
Guide, paper feed	RC2-7297-000CN	<a href="#">Internal components (3 of 9) on page 569</a>

**Table 4-27 Alphabetical parts list (continued)**

<b>Description</b>	<b>Part number</b>	<b>Table and page</b>
Guide, slide	RC2-7203-000CN	<a href="#">Internal components (6 of 9) on page 575</a>
Handle, lock, rear (1x500PF)	RC2-9303-000CN	<a href="#">1x500PF external components on page 591</a>
Hinge, front cover, center	RC2-6738-000CN	<a href="#">Internal components (1 of 9) on page 565</a>
Hinge, front cover, left	RC2-6713-000CN	<a href="#">Internal components (1 of 9) on page 565</a>
Hinge, front cover, right	RC2-6715-000CN	<a href="#">Internal components (1 of 9) on page 565</a>
Hinge, inner door, left	RC2-6716-000CN	<a href="#">Internal components (1 of 9) on page 565</a>
Hinge, inner door, right	RC2-6712-000CN	<a href="#">Internal components (1 of 9) on page 565</a>
Hinge, right door, front	RC2-7094-000CN	<a href="#">Internal components (4 of 9) on page 571</a>
Holder, door sensor, right	RC2-6645-000CN	<a href="#">Internal components (4 of 9) on page 571</a>
Holder, duplexing fan	RC2-8357-000CN	<a href="#">Internal components (2 of 9) on page 567</a>
Holder, first power dispatching	RC2-6680-000CN	<a href="#">Internal components (8 of 9) on page 579</a>
Holder, flat flexible cable	RC2-6655-000CN	<a href="#">Internal components (7 of 9) on page 577</a>
Holder, formatter fan	RC2-6648-000CN	<a href="#">Internal components (9 of 9) on page 581</a>
Holder, interlock switch	RC2-6689-000CN	<a href="#">Internal components (2 of 9) on page 567</a>
Holder, paper pick-up connector	RC2-6638-000CN	<a href="#">Internal components (9 of 9) on page 581</a>
Holder, power supply fan	RC2-7299-000CN	<a href="#">Internal components (6 of 9) on page 575</a>
Holder, secondary transfer HVT	RC2-6681-010CN	<a href="#">Internal components (4 of 9) on page 571</a>
Holder, secondary transfer, power dispatching	RC2-6682-000CN	<a href="#">Internal components (4 of 9) on page 571</a>
Holder, switch	RC2-6666-000CN	<a href="#">Internal components (8 of 9) on page 579</a>
Hook, duplexing spring, duplex model	RC2-6932-000CN	<a href="#">Internal components (4 of 9) on page 571</a>

**Table 4-27 Alphabetical parts list (continued)**

<b>Description</b>	<b>Part number</b>	<b>Table and page</b>
Imaging high-voltage PCA	RM1-6800-000CN	<a href="#">PCAs on page 589</a>
Inter connect board (ICB) PCA	CE707-67907	<a href="#">PCAs on page 589</a>
IT belt guide rail assembly	RM1-6018-000CN	<a href="#">Internal components (6 of 9) on page 575</a>
IT belt guide rail R1 assembly	RM1-6037-000CN	<a href="#">Internal components (6 of 9) on page 575</a>
ITB assembly (included in the service kit; includes transfer roller)	CE710-67903	<a href="#">Internal components (6 of 9) on page 575</a>
ITB guide rail assembly	RM1-6019-000CN	<a href="#">Internal components (6 of 9) on page 575</a>
Label, cassette number (1x500PF)	RC2-9363-000CN	<a href="#">1x500PF internal components on page 593</a>
Label, cassette number (3x500PF)	RC3-1824-000CN	<a href="#">3x500PF internal components on page 599</a>
Label, fuser insert	RU6-8042-000CN	<a href="#">Internal components (3 of 9) on page 569</a>
Label, ITB insert, FH	RU5-8806-000CN	<a href="#">Internal components (7 of 9) on page 577</a>
Label, ITB insert, FV	RU5-8804-000CN	<a href="#">Internal components (7 of 9) on page 577</a>
Label, ITB set, RH	RU5-8807-000CN	<a href="#">Internal components (6 of 9) on page 575</a>
Label, ITB, RV	RU5-8805-000CN	<a href="#">Internal components (6 of 9) on page 575</a>
Laser scanner assembly	RM1-6122-070CN	<a href="#">Internal components (7 of 9) on page 577</a>
Lever, inner door pressure	RC2-6744-000CN	<a href="#">Internal components (1 of 9) on page 565</a>
Lever, lift, 1	RC2-7199-000CN	<a href="#">Internal components (6 of 9) on page 575</a>
Lever, lift, 2	RC2-7200-000CN	<a href="#">Internal components (1 of 9) on page 565</a>
Lever, push	RC2-7198-000CN	<a href="#">Internal components (1 of 9) on page 565</a>
Lifter drive assembly	RM1-6039-000CN	<a href="#">Internal components (8 of 9) on page 579</a>
Lifter drive assembly (1x500PF)	RM1-3819-000CN	<a href="#">1x500PF internal components on page 593</a>
Lifter drive assembly (3x500PF)	RM1-3819-000CN	<a href="#">3x500PF internal components on page 599</a>

**Table 4-27 Alphabetical parts list (continued)**

<b>Description</b>	<b>Part number</b>	<b>Table and page</b>
Lifter plate assembly, Tray 1	RM1-6043-030CN	<a href="#">Right door assembly on page 563</a>
Link, ITB coupling release	RC2-6823-000CN	<a href="#">Internal components (4 of 9) on page 571</a>
Link, right door, 2 front	RC2-7233-000CN	<a href="#">Internal components (4 of 9) on page 571</a>
Link, right door, 2 rear	RC2-7236-000CN	<a href="#">Internal components (4 of 9) on page 571</a>
Link, right door, lower (1x500PF)	RC2-9327-000CN	<a href="#">1x500PF external components on page 591</a>
Link, right door, upper (1x500PF)	RC2-9335-000CN	<a href="#">1x500PF external components on page 591</a>
Lock, door link, right	RC2-7234-000CN	<a href="#">Internal components (4 of 9) on page 571</a>
Low voltage power supply assembly, 110V	RM1-6753-000CN	<a href="#">Internal components (8 of 9) on page 579</a>
Low voltage power supply assembly, 220V	RM1-6754-000CN	<a href="#">Internal components (8 of 9) on page 579</a>
Low-voltage power supply PCA (110V)	RM1-6753-000CN	<a href="#">PCAs on page 589</a>
Low-voltage power supply PCA (220V)	RM1-6754-000CN	<a href="#">PCAs on page 589</a>
Main drive assembly, duplex model	RM1-7931-000CN	<a href="#">Internal components (4 of 9) on page 571</a>
Main drive assembly, simplex model	RM1-6173-000CN	<a href="#">Internal components (4 of 9) on page 571</a>
Microswitch	WC4-5251-000CN	<a href="#">Internal components (1 of 9) on page 565</a>
Motor, pick-up (1x500PF)	RK2-1331-000CN	<a href="#">1x500PF internal components on page 593</a>
Motor, stepping, DC (3x500PF)	RK2-1331-000CN	<a href="#">3x500PF internal components on page 599</a>
Motor, stepping, DC, duplex model	RK2-3298-000CN	<a href="#">Internal components (4 of 9) on page 571</a>
Motor, stepping, DC, simplex model	RK2-3298-000CN	<a href="#">Internal components (4 of 9) on page 571</a>
Mount, cover arm, front	RC2-6735-000CN	<a href="#">Internal components (1 of 9) on page 565</a>
Mount, inner door rail	RC2-6743-000CN	<a href="#">Internal components (1 of 9) on page 565</a>
Mount, inner door toggle	RC2-6717-000CN	<a href="#">Internal components (1 of 9) on page 565</a>

**Table 4-27 Alphabetical parts list (continued)**

<b>Description</b>	<b>Part number</b>	<b>Table and page</b>
Mount, stopper arm	RC2-6745-000CN	<a href="#">Internal components (1 of 9) on page 565</a>
Paper delivery assembly	RM1-6165-000CN	<a href="#">Paper delivery assembly on page 587</a>
Paper feed roller assembly (included in the service kit; 3x500PF)	CE710-67908	<a href="#">3x500PF internal components on page 599</a>
Paper feeder driver PCA (1x500PF)	RM1-6987-000CN	<a href="#">1x500PF internal components on page 593</a>
Paper feeder driver PCA (1x500PF)	RM1-6987-000CN	<a href="#">1x500PF PCA on page 595</a>
Paper pick-up assembly	RM1-7916-000CN	<a href="#">Paper pick-up assembly on page 585</a>
Paper pick-up assembly (1x500PF)	RM1-6944-000CN	<a href="#">1x500PF internal components on page 593</a>
Paper pick-up assembly (3x500PF)	RM1-6944-000CN	<a href="#">3x500PF internal components on page 599</a>
Paper pick-up roller assembly (included in service kit)	CE707-67903	<a href="#">Paper pick-up assembly on page 585</a>
Plate, arm reinforcement	RC2-9649-000CN	<a href="#">Internal components (6 of 9) on page 575</a>
Plate, box pillar	RC2-6673-000CN	<a href="#">Internal components (9 of 9) on page 581</a>
Plate, duplexing drive gear	RL1-2266-000CN	<a href="#">Internal components (4 of 9) on page 571</a>
Plate, FFC protective	RC2-9687-000CN	<a href="#">Internal components (9 of 9) on page 581</a>
Plate, right door link, fixed, front	RL1-2281-000CN	<a href="#">Internal components (4 of 9) on page 571</a>
Plate, right door link, fixed, rear	RL1-2282-000CN	<a href="#">Internal components (4 of 9) on page 571</a>
Plate, right door link, front	RC2-7272-000CN	<a href="#">Internal components (4 of 9) on page 571</a>
Plate, right door link, rear	RC2-7273-000CN	<a href="#">Internal components (4 of 9) on page 571</a>
Power switch PCA	RM1-6759-000CN	<a href="#">PCAs on page 589</a>
Primary transfer high-voltage PCA	RM1-7004-000CN	<a href="#">PCAs on page 589</a>
Rail, cartridge auxiliary	RC2-6724-000CN	<a href="#">Internal components (1 of 9) on page 565</a>
Rail, cassette, left (3x500PF)	RL1-1391-000CN	<a href="#">3x500PF internal components on page 599</a>

**Table 4-27 Alphabetical parts list (continued)**

<b>Description</b>	<b>Part number</b>	<b>Table and page</b>
Rail, cassette, right (3x500PF)	RL1-1390-000CN	<a href="#">3x500PF internal components on page 599</a>
Rail, door link, front lower	RC2-6634-000CN	<a href="#">Internal components (4 of 9) on page 571</a>
Rail, door link, rear lower	RC2-6635-000CN	<a href="#">Internal components (4 of 9) on page 571</a>
Rail, ITB guide	RC2-7185-000CN	<a href="#">Internal components (6 of 9) on page 575</a>
Rail, ITB guide, F3	RC2-7193-000CN	<a href="#">Internal components (6 of 9) on page 575</a>
Registration sensor assembly	RM1-7922-000CN	<a href="#">Internal components (3 of 9) on page 569</a>
Right door assembly (1x500PF)	RM1-6946-000CN	<a href="#">1x500PF external components on page 591</a>
Right door assembly (3x500PF)	RM1-6953-000CN	<a href="#">3x500PF external components on page 597</a>
Right door assembly, duplex model	RM1-6007-000CN	<a href="#">Right door assembly on page 563</a>
Right door assembly, simplex model	RM1-6138-000CN	<a href="#">Right door assembly on page 563</a>
Roller, feed, paper feeder (included in service kit)	CE710-67908	<a href="#">1x500PF internal components on page 593</a>
Roller, paper pick-up, Tray 1 (included in the service kit)	CE710-67906	<a href="#">Right door assembly on page 563</a>
Roller, pick-up (included in the service kit; 3x500PF)	CE710-67908	<a href="#">3x500PF internal components on page 599</a>
Roller, pick-up, paper feeder (included in service kit)	CE710-67908	<a href="#">1x500PF internal components on page 593</a>
Roller, secondary transfer, T2 (included in the service kit)	CE710-67904	<a href="#">Right door assembly on page 563</a>
Screw, stepped (3x500PF)	RS5-9099-000CN	<a href="#">3x500PF external components on page 597</a>
Seal, slide shutter	RC3-1014-000CN	<a href="#">Internal components (7 of 9) on page 577</a>
Seal, toner supporter guide 1	RC2-7018-000CN	<a href="#">Internal components (7 of 9) on page 577</a>
Secondary transfer high-voltage PCA	RM1-6802-000CN	<a href="#">PCAs on page 589</a>
Sensor, cassette last paper presence	RM1-6164-000CN	<a href="#">Internal components (3 of 9) on page 569</a>



**Table 4-27 Alphabetical parts list (continued)**

<b>Description</b>	<b>Part number</b>	<b>Table and page</b>
Sensor, right door	WG8-5696-000CN	<a href="#">Internal components (4 of 9) on page 571</a>
Separation pad, Tray 1 (included in the service kit)	CE710-67909	<a href="#">Right door assembly on page 563</a>
Separation roller assembly (included in service kit)	CE710-67907	<a href="#">Internal components (3 of 9) on page 569</a>
Shaft, right door link	RU5-4979-000CN	<a href="#">Internal components (4 of 9) on page 571</a>
Sheet, slide seal	RC3-1013-000CN	<a href="#">Internal components (7 of 9) on page 577</a>
Shutter, exhaust	RC2-7010-000CN	<a href="#">Internal components (6 of 9) on page 575</a>
Slider, push	RC2-7201-000CN	<a href="#">Internal components (6 of 9) on page 575</a>
Spacer, DC controller PCA	VT2-5176-004CN	<a href="#">Internal components (9 of 9) on page 581</a>
Spring, compression	RU6-2721-000CN	<a href="#">Internal components (1 of 9) on page 565</a>
Spring, compression	RU6-2683-000CN	<a href="#">Internal components (6 of 9) on page 575</a>
Spring, contact	RU6-2767-000CN	<a href="#">Internal components (8 of 9) on page 579</a>
Spring, contact	RU6-2768-000CN	<a href="#">Internal components (8 of 9) on page 579</a>
Spring, contact, second-transfer high-voltage PCA	RU6-2771-000CN	<a href="#">Internal components (4 of 9) on page 571</a>
Spring, grounding	RC2-7209-000CN	<a href="#">Internal components (1 of 9) on page 565</a>
Spring, grounding, second-transfer high-voltage PCA	RU6-2772-000CN	<a href="#">Internal components (4 of 9) on page 571</a>
Spring, grounding, second-transfer high-voltage PCA	RC2-6700-000CN	<a href="#">Internal components (4 of 9) on page 571</a>
Spring, leaf, grounding	RC2-7092-000CN	<a href="#">Internal components (2 of 9) on page 567</a>
Spring, rod	RC2-6611-000CN	<a href="#">Internal components (8 of 9) on page 579</a>
Spring, tension	RU6-2831-000CN	<a href="#">Internal components (6 of 9) on page 575</a>
Spring, tension, duplex model	RU6-2671-000CN	<a href="#">Internal components (4 of 9) on page 571</a>

**Table 4-27 Alphabetical parts list (continued)**

<b>Description</b>	<b>Part number</b>	<b>Table and page</b>
Spring, tension, front	RU6-2727-000CN	<a href="#">Internal components (4 of 9) on page 571</a>
Spring, tension, rear	RU6-2744-000CN	<a href="#">Internal components (4 of 9) on page 571</a>
Spring, tension, registration sensor	RU6-2710-000CN	<a href="#">Internal components (3 of 9) on page 569</a>
Stopper, inner door, 1	RC2-6719-000CN	<a href="#">Internal components (1 of 9) on page 565</a>
Stopper, inner door, 2	RC2-6736-000CN	<a href="#">Internal components (1 of 9) on page 565</a>
Stopper, laser	RC2-6646-000CN	<a href="#">Internal components (8 of 9) on page 579</a>
Support, developing coupling	RC2-6811-000CN	<a href="#">Internal components (4 of 9) on page 571</a>
Support, frame, front	RC2-7196-000CN	<a href="#">Internal components (3 of 9) on page 569</a>
Support, frame, rear	RC2-7197-000CN	<a href="#">Internal components (3 of 9) on page 569</a>
Switch, bottom (1x500PF)	WC2-5512-000CN	<a href="#">1x500PF internal components on page 593</a>
Switch, button (3x500PF)	WC2-5512-000CN	<a href="#">3x500PF internal components on page 599</a>
Toner collection unit (included in the service kit)	CE980-67901	<a href="#">Internal components (6 of 9) on page 575</a>
Toner feed assembly	RM1-6040-000CN	<a href="#">Internal components (7 of 9) on page 577</a>
Toner remaining detect PCA	RM1-6779-000CN	<a href="#">PCAs on page 589</a>
Tray 1 (MP tray) assembly	RM1-6045-000CN	<a href="#">Right door assembly on page 563</a>
Upper cartridge guide assembly	RM1-5990-000CN	<a href="#">Internal components (1 of 9) on page 565</a>
Waste toner cover assembly	RM1-6012-000CN	<a href="#">Internal components (6 of 9) on page 575</a>

# Numerical parts list

**Table 4-28 Numerical parts list**

Part number	Description	Table and page
CE707-67903	Paper pick-up roller assembly (included in service kit)	<a href="#">Paper pick-up assembly on page 585</a>
CE707-67904	Fuser drive assembly	<a href="#">Internal components (3 of 9) on page 569</a>
CE707-67906	DC Controller PCA (simplex model)	<a href="#">PCAs on page 589</a>
CE707-67907	Inter connect board (ICB) PCA	<a href="#">PCAs on page 589</a>
CE707-69001	Formatter PCA	<a href="#">PCAs on page 589</a>
CE707-67904	Door, inner, service kit includes all labels	<a href="#">Internal components (1 of 9) on page 565</a>
CE708-67902	DC Controller PCA (duplex model)	<a href="#">PCAs on page 589</a>
CE710-67903	ITB assembly (included in the service kit; includes transfer roller)	<a href="#">Internal components (6 of 9) on page 575</a>
CE710-67904	Roller, secondary transfer, T2 (included in the service kit)	<a href="#">Right door assembly on page 563</a>
CE710-67906	Roller, paper pick-up, Tray 1 (included in the service kit)	<a href="#">Right door assembly on page 563</a>
CE710-67906	Cassette	<a href="#">1x250 cassette on page 583</a>
CE710-67907	Separation roller assembly (included in service kit)	<a href="#">Internal components (3 of 9) on page 569</a>
CE710-67908	Roller, pick-up, paper feeder (included in service kit)	<a href="#">1x500PF internal components on page 593</a>
CE710-67908	Roller, feed, paper feeder (included in service kit)	<a href="#">1x500PF internal components on page 593</a>
CE710-67908	Roller, pick-up (included in the service kit; 3x500PF)	<a href="#">3x500PF internal components on page 599</a>
CE710-67908	Paper feed roller assembly (included in the service kit; 3x500PF)	<a href="#">3x500PF internal components on page 599</a>
CE710-67909	Separation pad, Tray 1 (included in the service kit)	<a href="#">Right door assembly on page 563</a>
CE980-67901	Toner collection unit (included in the service kit)	<a href="#">Internal components (6 of 9) on page 575</a>
RC1-9896-000CN	Caster, double lock, front (3x500PF)	<a href="#">3x500PF internal components on page 599</a>
RC1-9917-000CN	Caster, rear (3x500PF)	<a href="#">3x500PF internal components on page 599</a>
RC2-6546-000CN	Guide, fuser, front	<a href="#">Internal components (3 of 9) on page 569</a>

**Table 4-28 Numerical parts list (continued)**

<b>Part number</b>	<b>Description</b>	<b>Table and page</b>
RC2-6547-000CN	Guide, fuser, rear	<a href="#">Internal components (3 of 9) on page 569</a>
RC2-6573-000CN	Cover, imaging HVT cable	<a href="#">Internal components (9 of 9) on page 581</a>
RC2-6574-000CN	Cover, main drive cable, lower	<a href="#">Internal components (4 of 9) on page 571</a>
RC2-6587-000CN	Guide, cross-member cable, front	<a href="#">Internal components (8 of 9) on page 579</a>
RC2-6588-000CN	Guide, cross-member cable, rear	<a href="#">Internal components (8 of 9) on page 579</a>
RC2-6589-000CN	Guide, inside cable	<a href="#">Internal components (6 of 9) on page 575</a>
RC2-6600-000CN	Guide, main cross-member cable	<a href="#">Internal components (6 of 9) on page 575</a>
RC2-6611-000CN	Spring, rod	<a href="#">Internal components (8 of 9) on page 579</a>
RC2-6625-000CN	Cover, handle, lower-left	<a href="#">External covers, panels, and doors on page 561</a>
RC2-6626-000CN	Cover, handle, lower-right, rear	<a href="#">External covers, panels, and doors on page 561</a>
RC2-6627-000CN	Cover, handle, lower-right, front	<a href="#">External covers, panels, and doors on page 561</a>
RC2-6628-000CN	Guide, laser	<a href="#">Internal components (7 of 9) on page 577</a>
RC2-6632-000CN	Guide, arm, front	<a href="#">Internal components (1 of 9) on page 565</a>
RC2-6634-000CN	Rail, door link, front lower	<a href="#">Internal components (4 of 9) on page 571</a>
RC2-6635-000CN	Rail, door link, rear lower	<a href="#">Internal components (4 of 9) on page 571</a>
RC2-6638-000CN	Holder, paper pick-up connector	<a href="#">Internal components (9 of 9) on page 581</a>
RC2-6642-000CN	Cover, connector, lower	<a href="#">Internal components (3 of 9) on page 569</a>
RC2-6645-000CN	Holder, door sensor, right	<a href="#">Internal components (4 of 9) on page 571</a>
RC2-6646-000CN	Stopper, laser	<a href="#">Internal components (8 of 9) on page 579</a>
RC2-6648-000CN	Holder, formatter fan	<a href="#">Internal components (9 of 9) on page 581</a>

**Table 4-28 Numerical parts list (continued)**

<b>Part number</b>	<b>Description</b>	<b>Table and page</b>
RC2-6650-000CN	Cover, main cross-member cable	<a href="#">Internal components (6 of 9) on page 575</a>
RC2-6655-000CN	Holder, flat flexible cable	<a href="#">Internal components (7 of 9) on page 577</a>
RC2-6659-000CN	Guide, main drive cable	<a href="#">Internal components (4 of 9) on page 571</a>
RC2-6661-000CN	Guide, imaging HVT cable	<a href="#">Internal components (9 of 9) on page 581</a>
RC2-6662-000CN	Guide, LVT cable	<a href="#">Internal components (6 of 9) on page 575</a>
RC2-6663-000CN	Clamp, edge	<a href="#">Internal components (6 of 9) on page 575</a>
RC2-6665-000CN	Guide, DC cont. support cable	<a href="#">Internal components (9 of 9) on page 581</a>
RC2-6666-000CN	Holder, switch	<a href="#">Internal components (8 of 9) on page 579</a>
RC2-6670-000CN	Cover, handle guide	<a href="#">Internal components (2 of 9) on page 567</a>
RC2-6673-000CN	Plate, box pillar	<a href="#">Internal components (9 of 9) on page 581</a>
RC2-6674-000CN	Clamp, edge, D	<a href="#">Internal components (9 of 9) on page 581</a>
RC2-6680-000CN	Holder, first power dispatching	<a href="#">Internal components (8 of 9) on page 579</a>
RC2-6681-010CN	Holder, secondary transfer HVT	<a href="#">Internal components (4 of 9) on page 571</a>
RC2-6682-000CN	Holder, secondary transfer, power dispatching	<a href="#">Internal components (4 of 9) on page 571</a>
RC2-6689-000CN	Holder, interlock switch	<a href="#">Internal components (2 of 9) on page 567</a>
RC2-6691-000CN	Cap, T2 contact, second-transfer high-voltage PCA	<a href="#">Internal components (4 of 9) on page 571</a>
RC2-6693-000CN	Guide, fuser AC cable	<a href="#">Internal components (6 of 9) on page 575</a>
RC2-6700-000CN	Spring, grounding, second-transfer high-voltage PCA	<a href="#">Internal components (4 of 9) on page 571</a>
RC2-6712-000CN	Hinge, inner door, right	<a href="#">Internal components (1 of 9) on page 565</a>
RC2-6713-000CN	Hinge, front cover, left	<a href="#">Internal components (1 of 9) on page 565</a>

**Table 4-28 Numerical parts list (continued)**

<b>Part number</b>	<b>Description</b>	<b>Table and page</b>
RC2-6715-000CN	Hinge, front cover, right	<a href="#">Internal components (1 of 9) on page 565</a>
RC2-6716-000CN	Hinge, inner door, left	<a href="#">Internal components (1 of 9) on page 565</a>
RC2-6717-000CN	Mount, inner door toggle	<a href="#">Internal components (1 of 9) on page 565</a>
RC2-6719-000CN	Stopper, inner door, 1	<a href="#">Internal components (1 of 9) on page 565</a>
RC2-6724-000CN	Rail, cartridge auxiliary	<a href="#">Internal components (1 of 9) on page 565</a>
RC2-6732-000CN	Arm, front cover, 1	<a href="#">Internal components (1 of 9) on page 565</a>
RC2-6733-000CN	Arm, front cover, 2	<a href="#">Internal components (1 of 9) on page 565</a>
RC2-6735-000CN	Mount, cover arm, front	<a href="#">Internal components (1 of 9) on page 565</a>
RC2-6736-000CN	Stopper, inner door, 2	<a href="#">Internal components (1 of 9) on page 565</a>
RC2-6737-000CN	Cover, lower front	<a href="#">Internal components (1 of 9) on page 565</a>
RC2-6738-000CN	Hinge, front cover, center	<a href="#">Internal components (1 of 9) on page 565</a>
RC2-6743-000CN	Mount, inner door rail	<a href="#">Internal components (1 of 9) on page 565</a>
RC2-6744-000CN	Lever, inner door pressure	<a href="#">Internal components (1 of 9) on page 565</a>
RC2-6745-000CN	Mount, stopper arm	<a href="#">Internal components (1 of 9) on page 565</a>
RC2-6760-000CN	Cross-member, cover, left	<a href="#">Internal components (9 of 9) on page 581</a>
RC2-6811-000CN	Support, developing coupling	<a href="#">Internal components (4 of 9) on page 571</a>
RC2-6823-000CN	Link, ITB coupling release	<a href="#">Internal components (4 of 9) on page 571</a>
RC2-6824-000CN	Arm, ITB coupling release	<a href="#">Internal components (4 of 9) on page 571</a>
RC2-6832-000CN	Cover, cable, protective	<a href="#">Internal components (3 of 9) on page 569</a>
RC2-6841-000CN	Guide, cable, upper	<a href="#">Internal components (9 of 9) on page 581</a>

**Table 4-28 Numerical parts list (continued)**

<b>Part number</b>	<b>Description</b>	<b>Table and page</b>
RC2-6842-000CN	Guide, cable, right	<a href="#">Internal components (9 of 9) on page 581</a>
RC2-6931-000CN	Cover, duplexing gear, duplex model	<a href="#">Internal components (4 of 9) on page 571</a>
RC2-6932-000CN	Hook, duplexing spring, duplex model	<a href="#">Internal components (4 of 9) on page 571</a>
RC2-6962-000CN	Cover, waste toner, 2	<a href="#">Internal components (6 of 9) on page 575</a>
RC2-6963-000CN	Cover, waste toner, 3	<a href="#">Internal components (6 of 9) on page 575</a>
RC2-7010-000CN	Shutter, exhaust	<a href="#">Internal components (6 of 9) on page 575</a>
RC2-7018-000CN	Seal, toner supporter guide 1	<a href="#">Internal components (7 of 9) on page 577</a>
RC2-7034-000CN	Door, toner collection unit access	<a href="#">External covers, panels, and doors on page 561</a>
RC2-7035-000CN	Arm, waste toner, left	<a href="#">Internal components (6 of 9) on page 575</a>
RC2-7036-000CN	Arm, waste toner, right	<a href="#">Internal components (6 of 9) on page 575</a>
RC2-7091-000CN	Door, right upper	<a href="#">Right door assembly on page 563</a>
RC2-7092-000CN	Spring, leaf, grounding	<a href="#">Internal components (2 of 9) on page 567</a>
RC2-7094-000CN	Hinge, right door, front	<a href="#">Internal components (4 of 9) on page 571</a>
RC2-7185-000CN	Rail, ITB guide	<a href="#">Internal components (6 of 9) on page 575</a>
RC2-7193-000CN	Rail, ITB guide, F3	<a href="#">Internal components (6 of 9) on page 575</a>
RC2-7196-000CN	Support, frame, front	<a href="#">Internal components (3 of 9) on page 569</a>
RC2-7197-000CN	Support, frame, rear	<a href="#">Internal components (3 of 9) on page 569</a>
RC2-7198-000CN	Lever, push	<a href="#">Internal components (1 of 9) on page 565</a>
RC2-7199-000CN	Lever, lift, 1	<a href="#">Internal components (6 of 9) on page 575</a>
RC2-7200-000CN	Lever, lift, 2	<a href="#">Internal components (1 of 9) on page 565</a>

**Table 4-28 Numerical parts list (continued)**

<b>Part number</b>	<b>Description</b>	<b>Table and page</b>
RC2-7201-000CN	Slider, push	<a href="#">Internal components (6 of 9) on page 575</a>
RC2-7203-000CN	Guide, slide	<a href="#">Internal components (6 of 9) on page 575</a>
RC2-7204-000CN	Cover, guide	<a href="#">Internal components (1 of 9) on page 565</a>
RC2-7209-000CN	Spring, grounding	<a href="#">Internal components (1 of 9) on page 565</a>
RC2-7233-000CN	Link, right door, 2 front	<a href="#">Internal components (4 of 9) on page 571</a>
RC2-7234-000CN	Lock, door link, right	<a href="#">Internal components (4 of 9) on page 571</a>
RC2-7236-000CN	Link, right door, 2 rear	<a href="#">Internal components (4 of 9) on page 571</a>
RC2-7272-000CN	Plate, right door link, front	<a href="#">Internal components (4 of 9) on page 571</a>
RC2-7273-000CN	Plate, right door link, rear	<a href="#">Internal components (4 of 9) on page 571</a>
RC2-7297-000CN	Guide, paper feed	<a href="#">Internal components (3 of 9) on page 569</a>
RC2-7299-000CN	Holder, power supply fan	<a href="#">Internal components (6 of 9) on page 575</a>
RC2-7300-000CN	Duct, front	<a href="#">Internal components (1 of 9) on page 565</a>
RC2-8357-000CN	Holder, duplexing fan	<a href="#">Internal components (2 of 9) on page 567</a>
RC2-8360-000CN	Duct, joint	<a href="#">Internal components (4 of 9) on page 571</a>
RC2-8388-000CN	Duct, fan, 1	<a href="#">Internal components (7 of 9) on page 577</a>
RC2-8424-000CN	Cover, cable, right rear	<a href="#">Internal components (8 of 9) on page 579</a>
RC2-9303-000CN	Handle, lock, rear (1x500PF)	<a href="#">1x500PF external components on page 591</a>
RC2-9320-000CN	Cover, right front (1x500PF)	<a href="#">1x500PF external components on page 591</a>
RC2-9327-000CN	Link, right door, lower (1x500PF)	<a href="#">1x500PF external components on page 591</a>
RC2-9330-000CN	Cover, rear (1x500PF)	<a href="#">1x500PF external components on page 591</a>



**Table 4-28 Numerical parts list (continued)**

<b>Part number</b>	<b>Description</b>	<b>Table and page</b>
RC2-9331-000CN	Cover, left (1x500PF)	<a href="#">1x500PF external components on page 591</a>
RC2-9332-000CN	Cover, handle, lower (1x500PF)	<a href="#">1x500PF external components on page 591</a>
RC2-9335-000CN	Link, right door, upper (1x500PF)	<a href="#">1x500PF external components on page 591</a>
RC2-9343-000CN	Cover, right corner (3x500PF)	<a href="#">3x500PF external components on page 597</a>
RC2-9346-000CN	Cover, right lower, 1 (3x500PF)	<a href="#">3x500PF external components on page 597</a>
RC2-9347-000CN	Cover, right lower, 2 (3x500PF)	<a href="#">3x500PF external components on page 597</a>
RC2-9348-000CN	Cover, rear (3x500PF)	<a href="#">3x500PF external components on page 597</a>
RC2-9349-000CN	Cover, left (3x500PF)	<a href="#">3x500PF external components on page 597</a>
RC2-9350-000CN	Cover, left lower (3x500PF)	<a href="#">3x500PF external components on page 597</a>
RC2-9357-000CN	Cover, rear lower (3x500PF)	<a href="#">3x500PF external components on page 597</a>
RC2-9363-000CN	Label, cassette number (1x500PF)	<a href="#">1x500PF internal components on page 593</a>
RC2-9649-000CN	Plate, arm reinforcement	<a href="#">Internal components (6 of 9) on page 575</a>
RC2-9687-000CN	Plate, FFC protective	<a href="#">Internal components (9 of 9) on page 581</a>
RC3-0684-000CN	Guide, cable	<a href="#">Internal components (8 of 9) on page 579</a>
RC3-0688-000CN	Cover, gear, simplex model	<a href="#">Internal components (4 of 9) on page 571</a>
RC3-1013-000CN	Sheet, slide seal	<a href="#">Internal components (7 of 9) on page 577</a>
RC3-1014-000CN	Seal, slide shutter	<a href="#">Internal components (7 of 9) on page 577</a>
RC3-1824-000CN	Label, cassette number (3x500PF)	<a href="#">3x500PF internal components on page 599</a>
RK2-1331-000CN	Motor, pick-up (1x500PF)	<a href="#">1x500PF internal components on page 593</a>
RK2-1331-000CN	Motor, stepping, DC (3x500PF)	<a href="#">3x500PF internal components on page 599</a>

**Table 4-28 Numerical parts list (continued)**

<b>Part number</b>	<b>Description</b>	<b>Table and page</b>
RK2-2276-000CN	Fan, power supply	<a href="#">Internal components (6 of 9) on page 575</a>
RK2-2728-000CN	Fan, fuser	<a href="#">Internal components (2 of 9) on page 567</a>
RK2-2884-000CN	Environment sensor PCA	<a href="#">PCAs on page 589</a>
RK2-2901-000CN	Cable, USB	<a href="#">External covers, panels, and doors on page 561</a>
RK2-3298-000CN	Motor, stepping, DC, duplex model	<a href="#">Internal components (4 of 9) on page 571</a>
RK2-3298-000CN	Motor, stepping, DC, simplex model	<a href="#">Internal components (4 of 9) on page 571</a>
RK2-3301-000CN	Fan, formatter	<a href="#">Internal components (9 of 9) on page 581</a>
RL1-1390-000CN	Rail, cassette, right (3x500PF)	<a href="#">3x500PF internal components on page 599</a>
RL1-1391-000CN	Rail, cassette, left (3x500PF)	<a href="#">3x500PF internal components on page 599</a>
RL1-2266-000CN	Plate, duplexing drive gear	<a href="#">Internal components (4 of 9) on page 571</a>
RL1-2281-000CN	Plate, right door link, fixed, front	<a href="#">Internal components (4 of 9) on page 571</a>
RL1-2282-000CN	Plate, right door link, fixed, rear	<a href="#">Internal components (4 of 9) on page 571</a>
RM1-3575-000CN	Cable, paper pick-up option (3x500PF)	<a href="#">3x500PF internal components on page 599</a>
RM1-3647-000CN	Cable, multisensor (3x500PF)	<a href="#">3x500PF internal components on page 599</a>
RM1-3651-000CN	Cable, door open switch (3x500PF)	<a href="#">3x500PF internal components on page 599</a>
RM1-3819-000CN	Lifter drive assembly (1x500PF)	<a href="#">1x500PF internal components on page 593</a>
RM1-3819-000CN	Lifter drive assembly (3x500PF)	<a href="#">3x500PF internal components on page 599</a>
RM1-5990-000CN	Upper cartridge guide assembly	<a href="#">Internal components (1 of 9) on page 565</a>
RM1-6005-000CN	Drive assembly, duplex reverse, duplex model	<a href="#">Internal components (3 of 9) on page 569</a>
RM1-6007-000CN	Right door assembly, duplex model	<a href="#">Right door assembly on page 563</a>

**Table 4-28 Numerical parts list (continued)**

<b>Part number</b>	<b>Description</b>	<b>Table and page</b>
RM1-6012-000CN	Waste toner cover assembly	<a href="#">Internal components (6 of 9) on page 575</a>
RM1-6018-000CN	IT belt guide rail assembly	<a href="#">Internal components (6 of 9) on page 575</a>
RM1-6019-000CN	ITB guide rail assembly	<a href="#">Internal components (6 of 9) on page 575</a>
RM1-6036-000CN	Auto close assembly	<a href="#">Internal components (8 of 9) on page 579</a>
RM1-6037-000CN	IT belt guide rail R1 assembly	<a href="#">Internal components (6 of 9) on page 575</a>
RM1-6039-000CN	Lifter drive assembly	<a href="#">Internal components (8 of 9) on page 579</a>
RM1-6040-000CN	Toner feed assembly	<a href="#">Internal components (7 of 9) on page 577</a>
RM1-6043-030CN	Lifter plate assembly, Tray 1	<a href="#">Right door assembly on page 563</a>
RM1-6045-000CN	Tray 1 (MP tray) assembly	<a href="#">Right door assembly on page 563</a>
RM1-6065-000CN	Formatter case	<a href="#">Internal components (9 of 9) on page 581</a>
RM1-6074-000CN	Fuser motor assembly	<a href="#">Internal components (3 of 9) on page 569</a>
RM1-6088-000CN	DC motor assembly	<a href="#">Internal components (4 of 9) on page 571</a>
RM1-6120-000CN	Drive assembly, simplex reverse, simplex model	<a href="#">Internal components (3 of 9) on page 569</a>
RM1-6122-070CN	Laser scanner assembly	<a href="#">Internal components (7 of 9) on page 577</a>
RM1-6138-000CN	Right door assembly, simplex model	<a href="#">Right door assembly on page 563</a>
RM1-6164-000CN	Sensor, cassette last paper presence	<a href="#">Internal components (3 of 9) on page 569</a>
RM1-6165-000CN	Paper delivery assembly	<a href="#">Paper delivery assembly on page 587</a>
RM1-6173-000CN	Main drive assembly, simplex model	<a href="#">Internal components (4 of 9) on page 571</a>
RM1-6180-000CN	Fuser assembly, 110V (included in service kit)	<a href="#">Internal components (3 of 9) on page 569</a>
RM1-6181-000CN	Fuser assembly, 220V (included in service kit)	<a href="#">Internal components (3 of 9) on page 569</a>

**Table 4-28 Numerical parts list (continued)**

<b>Part number</b>	<b>Description</b>	<b>Table and page</b>
RM1-6742-000CN	Driver PCA (duplex model)	<a href="#">PCAs on page 589</a>
RM1-6753-000CN	Low voltage power supply assembly, 110V	<a href="#">Internal components (8 of 9) on page 579</a>
RM1-6753-000CN	Low-voltage power supply PCA (110V)	<a href="#">PCAs on page 589</a>
RM1-6754-000CN	Low voltage power supply assembly, 220V	<a href="#">Internal components (8 of 9) on page 579</a>
RM1-6754-000CN	Low-voltage power supply PCA (220V)	<a href="#">PCAs on page 589</a>
RM1-6759-000CN	Power switch PCA	<a href="#">PCAs on page 589</a>
RM1-6779-000CN	Toner remaining detect PCA	<a href="#">PCAs on page 589</a>
RM1-6783-000CN	Driver PCA (simplex model)	<a href="#">PCAs on page 589</a>
RM1-6800-000CN	Imaging high-voltage PCA	<a href="#">PCAs on page 589</a>
RM1-6802-000CN	Secondary transfer high-voltage PCA	<a href="#">PCAs on page 589</a>
RM1-6804-000CN	Cable assembly, flat-flexible	<a href="#">Internal components (7 of 9) on page 577</a>
RM1-6807-000CN	Cable, low-voltage power supply	<a href="#">Internal components (8 of 9) on page 579</a>
RM1-6811-000CN	Cable, low-voltage AC joint	<a href="#">Internal components (8 of 9) on page 579</a>
RM1-6813-000CN	Cable, low-voltage power supply, test	<a href="#">Internal components (8 of 9) on page 579</a>
RM1-6822-000CN	Cable, primary transfer	<a href="#">Internal components (9 of 9) on page 581</a>
RM1-6830-000CN	Cable, switch	<a href="#">Internal components (8 of 9) on page 579</a>
RM1-6833-000CN	Cable, left, high-voltage power supply to low-voltage power supply	<a href="#">Internal components (8 of 9) on page 579</a>
RM1-6846-000CN	Cable, feed joint, duplex model	<a href="#">Internal components (4 of 9) on page 571</a>
RM1-6849-000CN	Cable, PNL-H-HI	<a href="#">Internal components (9 of 9) on page 581</a>
RM1-6863-000CN	Cable, rear	<a href="#">Internal components (9 of 9) on page 581</a>
RM1-6867-000CN	Cable, SB joint, low-voltage power supply, duplex model	<a href="#">Internal components (3 of 9) on page 569</a>
RM1-6942-000CN	Cassette (1x500PF)	<a href="#">1x500PF internal components on page 593</a>
RM1-6942-000CN	Cassette (3x500PF)	<a href="#">3x500PF internal components on page 599</a>

**Table 4-28 Numerical parts list (continued)**

<b>Part number</b>	<b>Description</b>	<b>Table and page</b>
RM1-6942-000CN	Cassette (3x500PF)	<a href="#">3x500PF cassette on page 601</a>
RM1-6944-000CN	Paper pick-up assembly (1x500PF)	<a href="#">1x500PF internal components on page 593</a>
RM1-6944-000CN	Paper pick-up assembly (3x500PF)	<a href="#">3x500PF internal components on page 599</a>
RM1-6946-000CN	Right door assembly (1x500PF)	<a href="#">1x500PF external components on page 591</a>
RM1-6948-000CN	Cover, right lower assembly (1x500PF)	<a href="#">1x500PF external components on page 591</a>
RM1-6949-000CN	Cover, upper front assembly (1x500PF)	<a href="#">1x500PF external components on page 591</a>
RM1-6953-000CN	Right door assembly (3x500PF)	<a href="#">3x500PF external components on page 597</a>
RM1-6958-000CN	Front lower cover assembly (3x500PF)	<a href="#">3x500PF external components on page 597</a>
RM1-6987-000CN	Paper feeder driver PCA (1x500PF)	<a href="#">1x500PF internal components on page 593</a>
RM1-6987-000CN	Paper feeder driver PCA (1x500PF)	<a href="#">1x500PF PCA on page 595</a>
RM1-6989-000CN	Feeder PCA (3x500PF)	<a href="#">3x500PF internal components on page 599</a>
RM1-6989-000CN	Feeder PCAs (3x500PF)	<a href="#">3x500PF PCAs on page 603</a>
RM1-6991-000CN	Cable, engine interface (3x500PF)	<a href="#">3x500PF internal components on page 599</a>
RM1-6992-000CN	Cable, PCA joint (3x500PF)	<a href="#">3x500PF internal components on page 599</a>
RM1-7004-000CN	Primary transfer high-voltage PCA	<a href="#">PCAs on page 589</a>
RM1-7133-000CN	Cover, front assembly	<a href="#">External covers, panels, and doors on page 561</a>
RM1-7142-000CN	Cover, right rear	<a href="#">External covers, panels, and doors on page 561</a>
RM1-7143-000CN	Cover, left assembly	<a href="#">External covers, panels, and doors on page 561</a>
RM1-7144-000CN	Cover, right front assembly (includes control panel)	<a href="#">External covers, panels, and doors on page 561</a>
RM1-7147-000CN	Cover, rear	<a href="#">External covers, panels, and doors on page 561</a>
RM1-7148-000CN	Cover, top	<a href="#">External covers, panels, and doors on page 561</a>

**Table 4-28 Numerical parts list (continued)**

<b>Part number</b>	<b>Description</b>	<b>Table and page</b>
RM1-7914-060CN	Gear assembly, fuser	<a href="#">Internal components (3 of 9) on page 569</a>
RM1-7916-000CN	Paper pick-up assembly	<a href="#">Paper pick-up assembly on page 585</a>
RM1-7922-000CN	Registration sensor assembly	<a href="#">Internal components (3 of 9) on page 569</a>
RM1-7931-000CN	Main drive assembly, duplex model	<a href="#">Internal components (4 of 9) on page 571</a>
RS5-9099-000CN	Screw, stepped (3x500PF)	<a href="#">3x500PF external components on page 597</a>
RU5-4979-000CN	Shaft, right door link	<a href="#">Internal components (4 of 9) on page 571</a>
RU5-8804-000CN	Label, ITB insert, FV	<a href="#">Internal components (7 of 9) on page 577</a>
RU5-8805-000CN	Label, ITB, RV	<a href="#">Internal components (6 of 9) on page 575</a>
RU5-8806-000CN	Label, ITB insert, FH	<a href="#">Internal components (7 of 9) on page 577</a>
RU5-8807-000CN	Label, ITB set, RH	<a href="#">Internal components (6 of 9) on page 575</a>
RU6-0771-000CN	Gear, 25T, duplex model	<a href="#">Internal components (4 of 9) on page 571</a>
RU6-0772-000CN	Gear, 25T, duplex model	<a href="#">Internal components (4 of 9) on page 571</a>
RU6-0773-000CN	Gear, 74T, duplex model	<a href="#">Internal components (4 of 9) on page 571</a>
RU6-0775-000CN	Gear, 18T/29T	<a href="#">Internal components (3 of 9) on page 569</a>
RU6-0795-000CN	Gear, link worm	<a href="#">Internal components (6 of 9) on page 575</a>
RU6-2671-000CN	Spring, tension, duplex model	<a href="#">Internal components (4 of 9) on page 571</a>
RU6-2683-000CN	Spring, compression	<a href="#">Internal components (6 of 9) on page 575</a>
RU6-2710-000CN	Spring, tension, registration sensor	<a href="#">Internal components (3 of 9) on page 569</a>
RU6-2721-000CN	Spring, compression	<a href="#">Internal components (1 of 9) on page 565</a>
RU6-2727-000CN	Spring, tension, front	<a href="#">Internal components (4 of 9) on page 571</a>

**Table 4-28 Numerical parts list (continued)**

<b>Part number</b>	<b>Description</b>	<b>Table and page</b>
RU6-2744-000CN	Spring, tension, rear	<a href="#">Internal components (4 of 9) on page 571</a>
RU6-2767-000CN	Spring, contact	<a href="#">Internal components (8 of 9) on page 579</a>
RU6-2768-000CN	Spring, contact	<a href="#">Internal components (8 of 9) on page 579</a>
RU6-2771-000CN	Spring, contact, second-transfer high-voltage PCA	<a href="#">Internal components (4 of 9) on page 571</a>
RU6-2772-000CN	Spring, grounding, second-transfer high-voltage PCA	<a href="#">Internal components (4 of 9) on page 571</a>
RU6-2831-000CN	Spring, tension	<a href="#">Internal components (6 of 9) on page 575</a>
RU6-8042-000CN	Label, fuser insert	<a href="#">Internal components (3 of 9) on page 569</a>
VS1-7207-019CN	Connector, snap tight, black	<a href="#">Internal components (3 of 9) on page 569</a>
VS1-7500-008CN	Connector, 8P (3x500PF)	<a href="#">3x500PF internal components on page 599</a>
VS1-7514-008CN	Connector, 8-pin, paper-pick-up	<a href="#">Internal components (9 of 9) on page 581</a>
VS1-7514-008CN	Connector, 8P (1x500PF)	<a href="#">1x500PF internal components on page 593</a>
VT2-5176-004CN	Spacer, DC controller PCA	<a href="#">Internal components (9 of 9) on page 581</a>
WC2-5512-000CN	Switch, bottom (1x500PF)	<a href="#">1x500PF internal components on page 593</a>
WC2-5512-000CN	Switch, button (3x500PF)	<a href="#">3x500PF internal components on page 599</a>
WC4-5251-000CN	Microswitch	<a href="#">Internal components (1 of 9) on page 565</a>
WE8-6639-000CN	Core, ring	<a href="#">Internal components (9 of 9) on page 581</a>
WG8-5696-000CN	Sensor, right door	<a href="#">Internal components (4 of 9) on page 571</a>

