
3 Parts and diagrams

- [Order parts by authorized service providers](#)
- [How to use the parts lists and diagrams](#)
- [Covers and external assemblies \(1 of 3\)](#)
- [Covers and external assemblies \(2 of 3\)](#)
- [Covers and external assemblies \(3 of 3\)](#)
- [Internal assemblies](#)
- [PCAs](#)
- [Alphabetical parts list](#)
- [Numerical parts list](#)

Order parts by authorized service providers

Order replacement parts

Table 3-1 Order parts, accessories, and supplies

Order supplies and paper	www.hp.com/go/suresupply
Order genuine HP parts or accessories	www.hp.com/buy/parts
Order through service or support providers	Contact an HP-authorized service or support provider.

Related documentation and software

Table 3-2 Related documentation and software


Item	Description	Part number
<i>HP LaserJet Pro 200 Color MFP M275nw User Guide</i>	Product user guide.	CF040-90904
<i>HP LaserJet Pro 200 Color MFP M275nw Service Manual</i>	English service manual (this manual)	CF040-90969

Supplies part numbers

Table 3-3 Supplies part numbers

Item	Selectability number	Color	Part number, new	Part number, service
HP LaserJet print cartridge	126A	Black	CE310A	CE310-67901
		Cyan	CE311A	CE311-67901
		Yellow	CE312A	CE312-67901
		Magenta	CE313A	CE313-67901
Imaging drum	126A		CE314A	CE314-67901

Service parts

 **NOTE:** The parts in the following table are not shown in the assembly illustrations in this chapter.

Item	Description	Part number
Regulatory label	Blank label	5969-9497

Whole-unit replacement part numbers




 **NOTE:** Whole-unit replacement products include the formatter PCA.

Table 3-4 Whole-unit replacement part numbers

Item	Description	Part number
HP LaserJet Pro 200 Color MFP M275nw	110 V	CF040-67001 (new, for North America and Taiwan)
		CF040-67006 (new, for Brazil)
	220 V	CF040-69002 (exchange, for Europe, Middle East, and Africa)
		CF040-67003 (new; for China)
		CF040-67004 (new, for Asia-Pacific and Latin America)
		CF040-67005 (new; for Chile and Argentina)

How to use the parts lists and diagrams

 **CAUTION:** Be sure to order the correct part. When looking for part numbers for electrical components, pay careful attention to the voltage that is listed. Doing so will make sure that the part number selected is for the correct model.

 **NOTE:** In this manual, the abbreviation “PCA” stands for “printed circuit-board assembly.” Components described as a PCA might consist of a single circuit board or a circuit board plus other parts, such as cables and sensors.

The figures in this chapter show the major subassemblies in the product and their component parts. A parts list table follows each exploded view assembly diagram. Each table lists the item number, the associated part number, and the description of each part. If a part is not listed in the table, then it is not a field replacement unit (FRU).

Covers and external assemblies (1 of 3)

Figure 3-1 Covers and external assemblies (1 of 3)

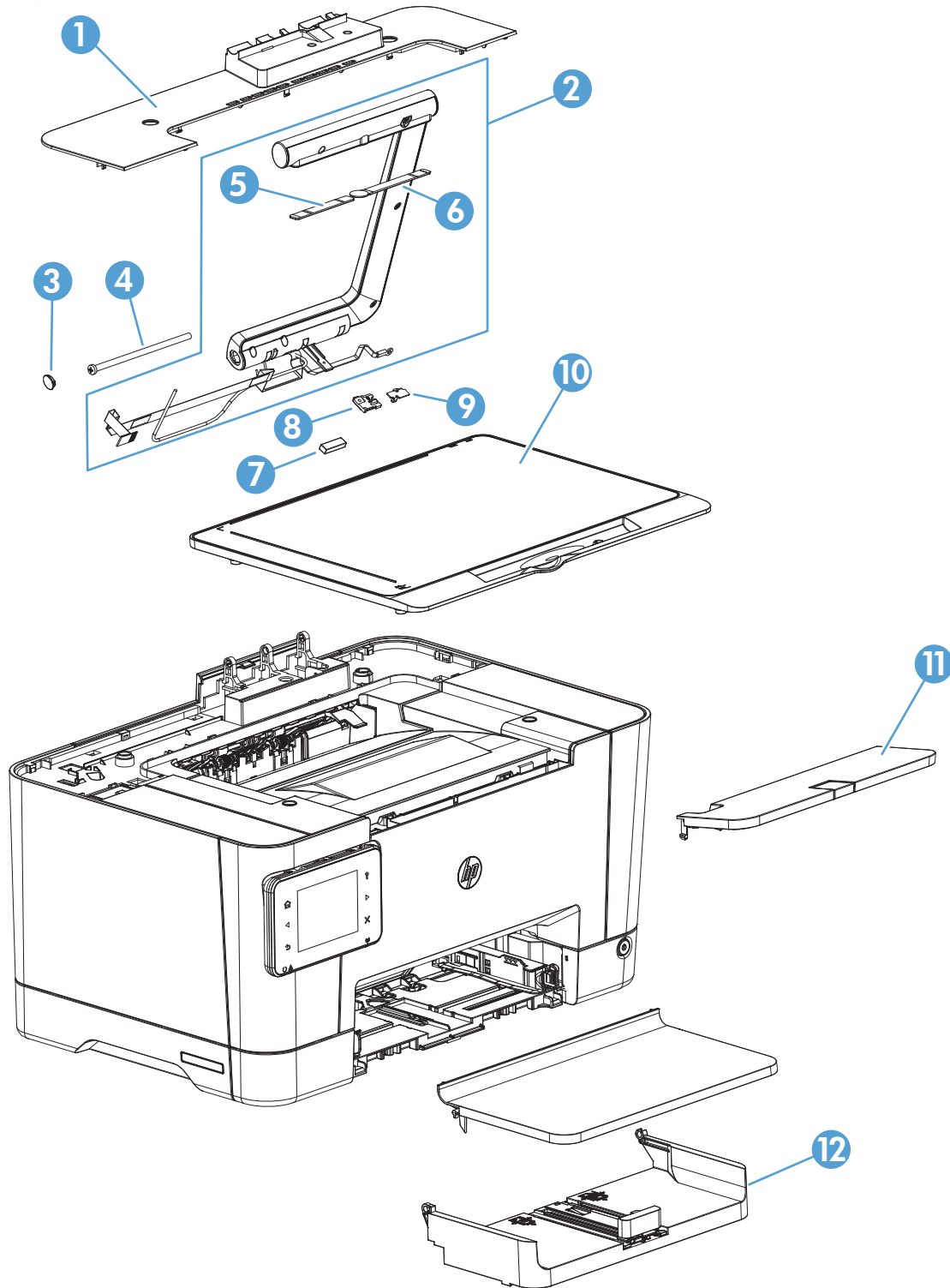


Table 3-5 Covers and external assemblies (1 of 3)

Ref	Description	Part number	Qty
1	Cover-Top Cosmetic	CF039-40010	1
2	Camera arm assembly	CF039-60102	1
3	Cap - screw, camera arm	CF047-40025	1
4	Hinge screw, camera arm	CF047-00012	1
5	Cover - lens, small	CF047-40039	1
6	Cover - lens	CF047-40006	1
7	Magnet, camera arm	CF047-00002	1
8	Spacer - alignment, camera arm	CF047-40024	1
9	Plate - Rectangular, camera arm	CF047-00006	1
10	Platen assembly (capture stage)	CF039-60107	1
11	Output bin assembly	CF039-60106	1
12	Input tray assembly	CF039-60105	1
	Core - magnetic (not shown)	9170-2594	2

Covers and external assemblies (2 of 3)

Figure 3-2 Covers and external assemblies (2 of 3)

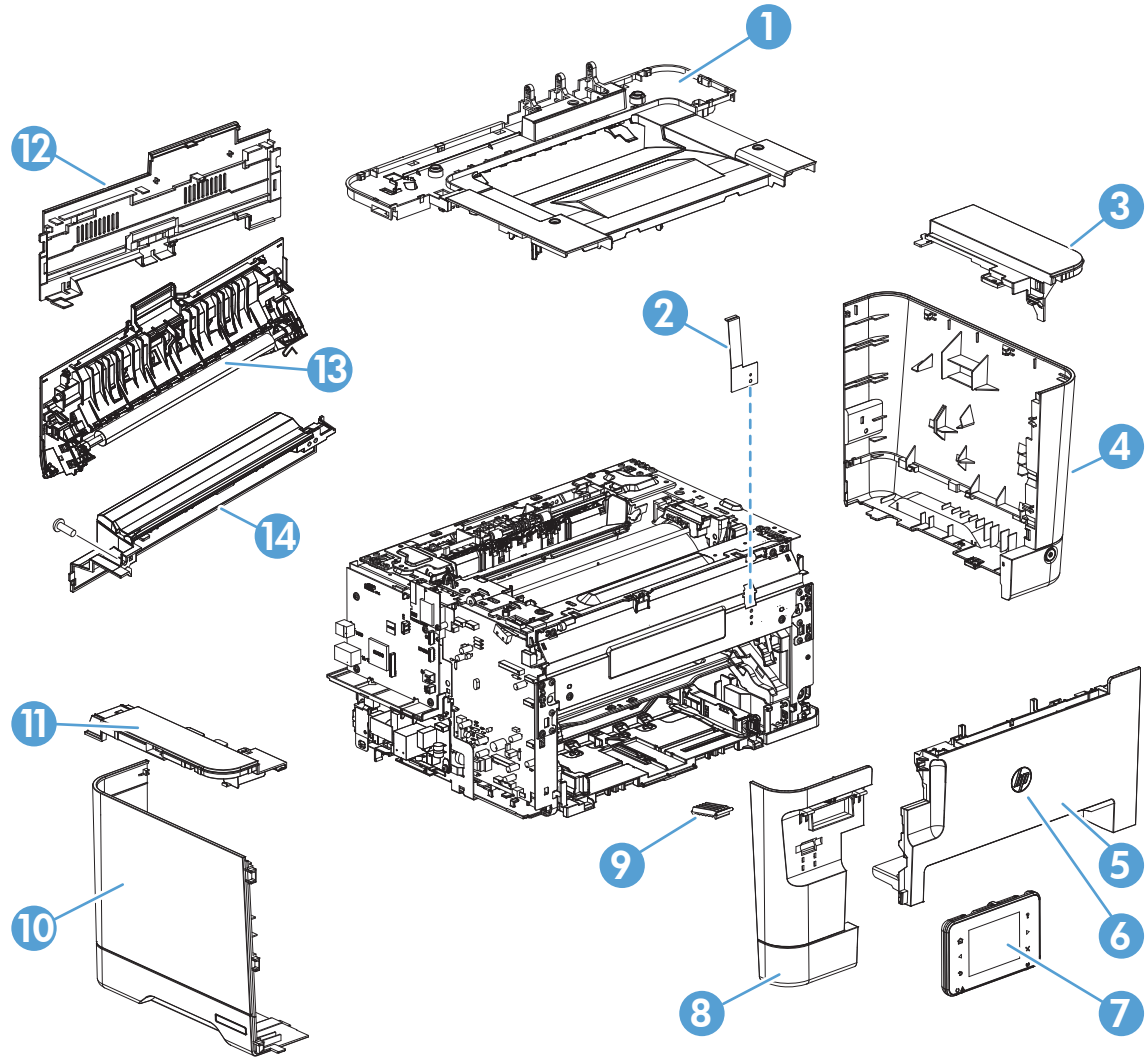


Table 3-6 Covers and external assemblies (2 of 3)

Ref	Description	Part number	Qty
1	Cover - Top, assembly	CF039-60112	1
2	Spring - C-door	CF039-00003	1
3	Cover - top upper right front	CF039-40011	1
4	Cover - right assembly	CF039-60108	1
5	Door – Front, (C-Door)	CF039-40002	1
6	Nameplate Round Gem 27	7121-8496	1
7	Control panel assembly	CF039-60101	1
8	Cover - Left front assembly	CF039-60109	1
9	Kickstand - Control Panel	CF039-40024	1
10	Cover - Left Rear Assembly	CF039-60111	1
11	Cover - Top Upper Left Front	CF039-40012	1
12	Cover - Fuser	CF039-40020	1
13	Rear cover/2nd transfer assembly	RM1-7216-000	1
14	Power supply cover assembly	RM1-7235-000	1

Covers and external assemblies (3 of 3)

Figure 3-3 Covers and external assemblies (3 of 3)

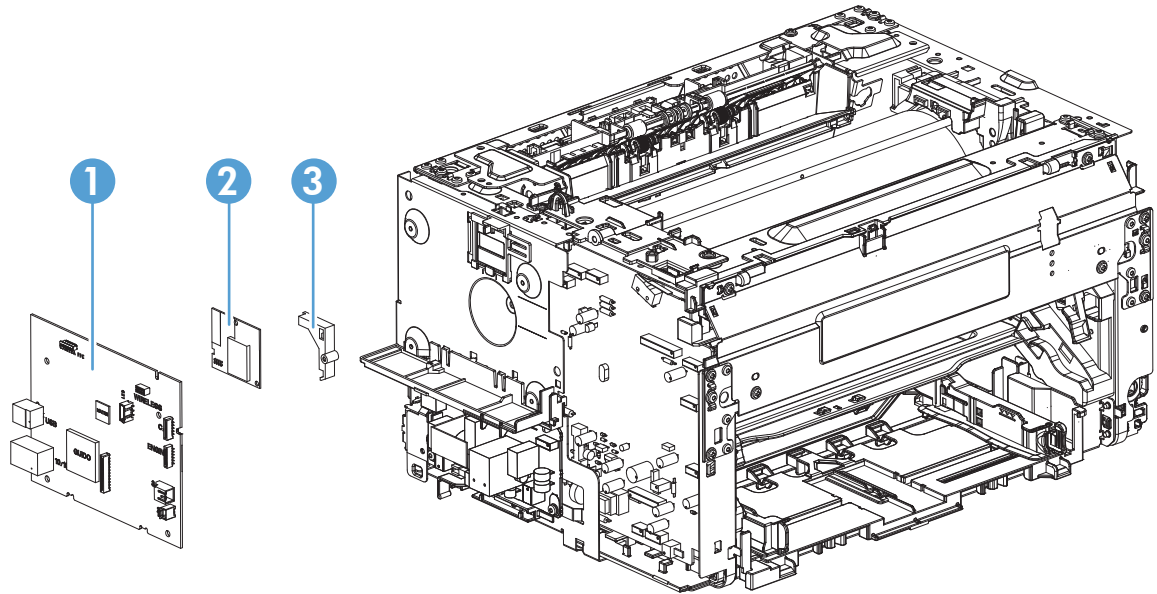


Table 3-7 Covers and external assemblies (3 of 3)

Ref	Description	Part number	Qty
1	Formatter PCA	CD669-60001	1
2	Wireless PCA	1150-7940	1
3	Mounting bracket - Wireless PCA	CE866-40003	1

Internal assemblies

Figure 3-4 Internal assembly

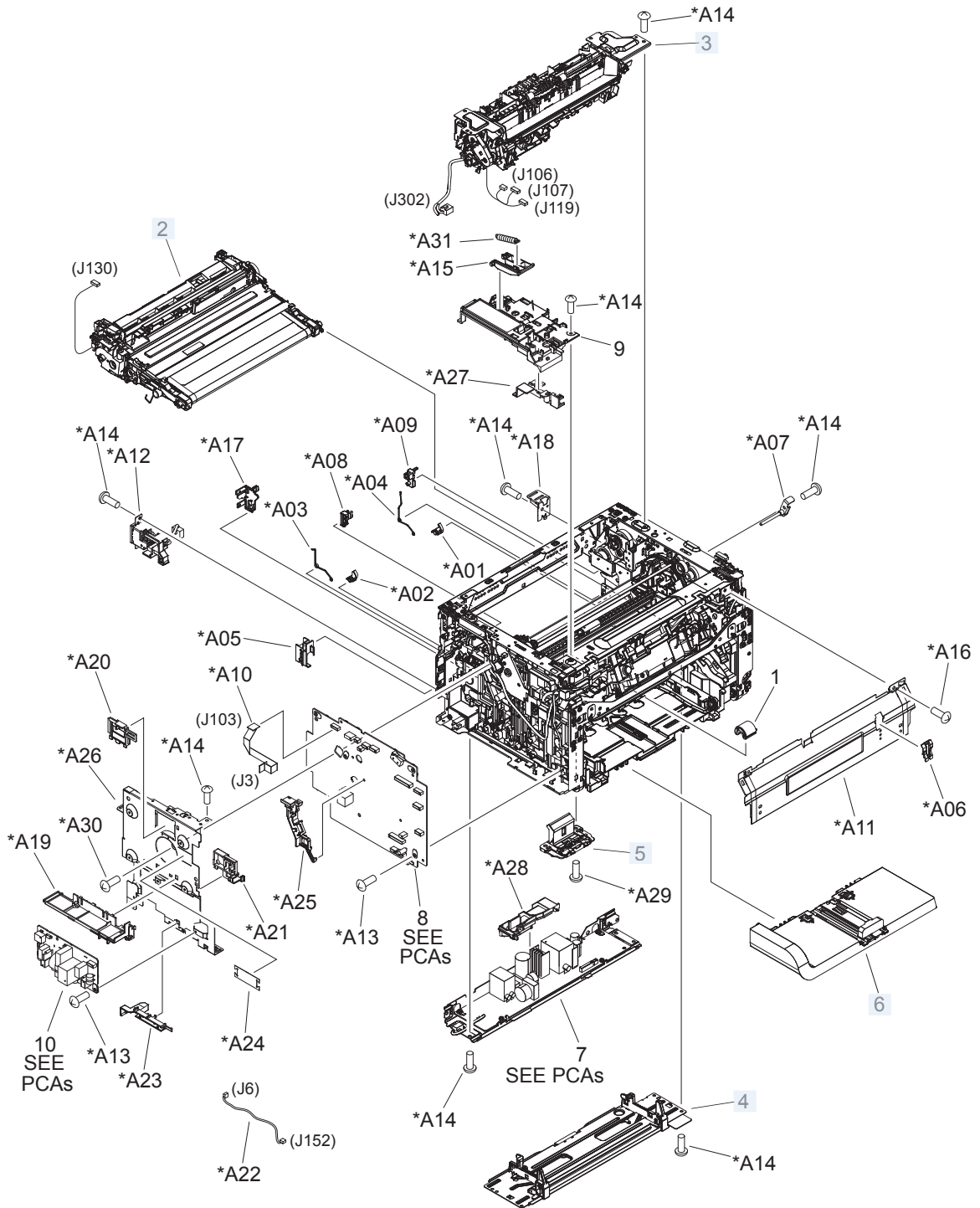


Table 3-8 Internal assembly

Ref	Description	Part number	Qty
1	Roller, paper pick-up	RL1-2671-000	1
2	Intermediate transfer belt assembly (ITB)	RM1-7274-000	1
3	Paper delivery assembly, fuser (110-127 V)	RM1-7211-000	1
3	Paper delivery assembly, fuser (220–240 V)	RM1-7269-000	1
4	Plate assembly, base	RM1-7213-000	1
5	Pad assembly, separation	RM1-7228-000	1
6	Tray, main assembly	RM1-7276-000	1
7	Cover assembly, inner	RM1-7279-000	1

PCAs

Figure 3-5 PCAs

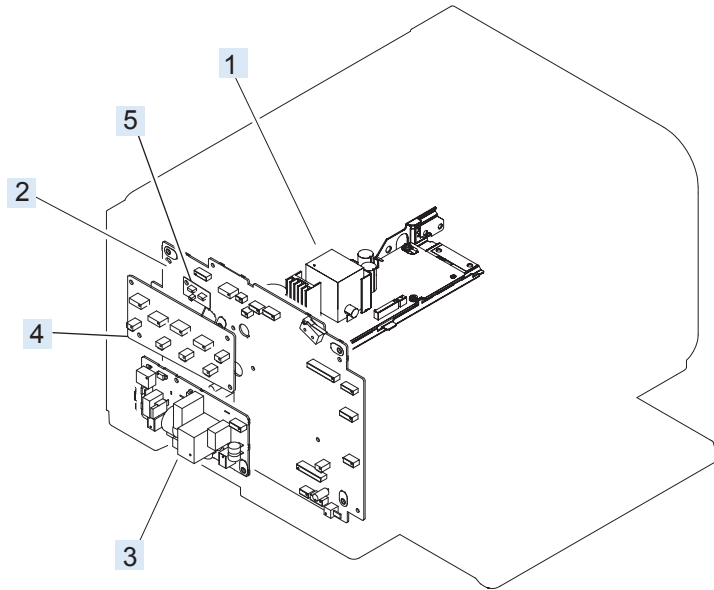


Table 3-9 PCAs

Ref	Description	Part number	Qty
1	Power supply, low-voltage (110-127 V)	RM1-8203-000	1
1	Power supply, low-voltage (220-240 V)	RM1-8204-000	1
2	Engine controller PCA	RM1-8205-000	1
3	Fuser power supply PCA (110-127 V)	RM1-8201-000	1
3	Fuser power supply PCA (220-240 V)	RM1-8202-000	1
4	Formatter PCA	CD669-60001	1
5	Wireless N module	1150-7940	1