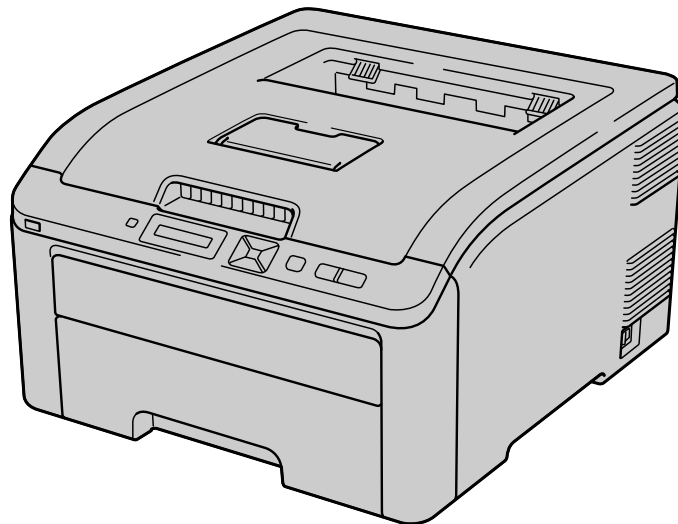




Color Printer **PARTS REFERENCE LIST**

MODEL: HL-3040CN/3070CW



Read this list thoroughly before maintenance work.

Keep this list in a convenient place for quick and easy reference at all times.

NOTE FOR USING THIS PARTS REFERENCE LIST

1. In the case of ordering parts, it is necessary to mention the following items:

- (1) Code
- (2) Q'ty
- (3) Description
- (4) Symbol (PCB No. etc.)

<Example>

	(1)	(2)	(3)	(4)	
REF.NO.	CODE	Q'TY	DESCRIPTION	SYMBOL	REMARK

Revision No.: marked on the **main printed circuit board (Main PCB)**

B48K056

----- Circuit board No.

2. Design-changed parts:

If any of the parts is changed, one of the following symbols is indicated in the REMARK column.

CHG (chg): The part is changed for a new one.

ADD (add): The part is newly added.

DEL (del): The part is deleted.

Symbol in capital letters indicates the latest parts change information in the page.

3. The original parts reference list is based on the information available in July 2009.

4. Parts are subject to change in design without prior notice.

COUNTRIES AND AREAS

ARG: Argentina

ARL: Australia/New Zealand

CAN: Canada

CEE: CEE-GENERAL

(Bulgaria/Czech/Hungary/Poland/Romania/
Slovakia)

CHE: Switzerland

CHL: Chile

FRA: France/Belgium/Netherlands

GER: Germany

GUL: GULF

IBR: Spain/Portugal

ISR: Israel

ITA: Italy

PND: PAN-NOR

(Norway/Finland/Denmark/Sweden)

RUS: Russia

SGP: Singapore

TUR: Turkey

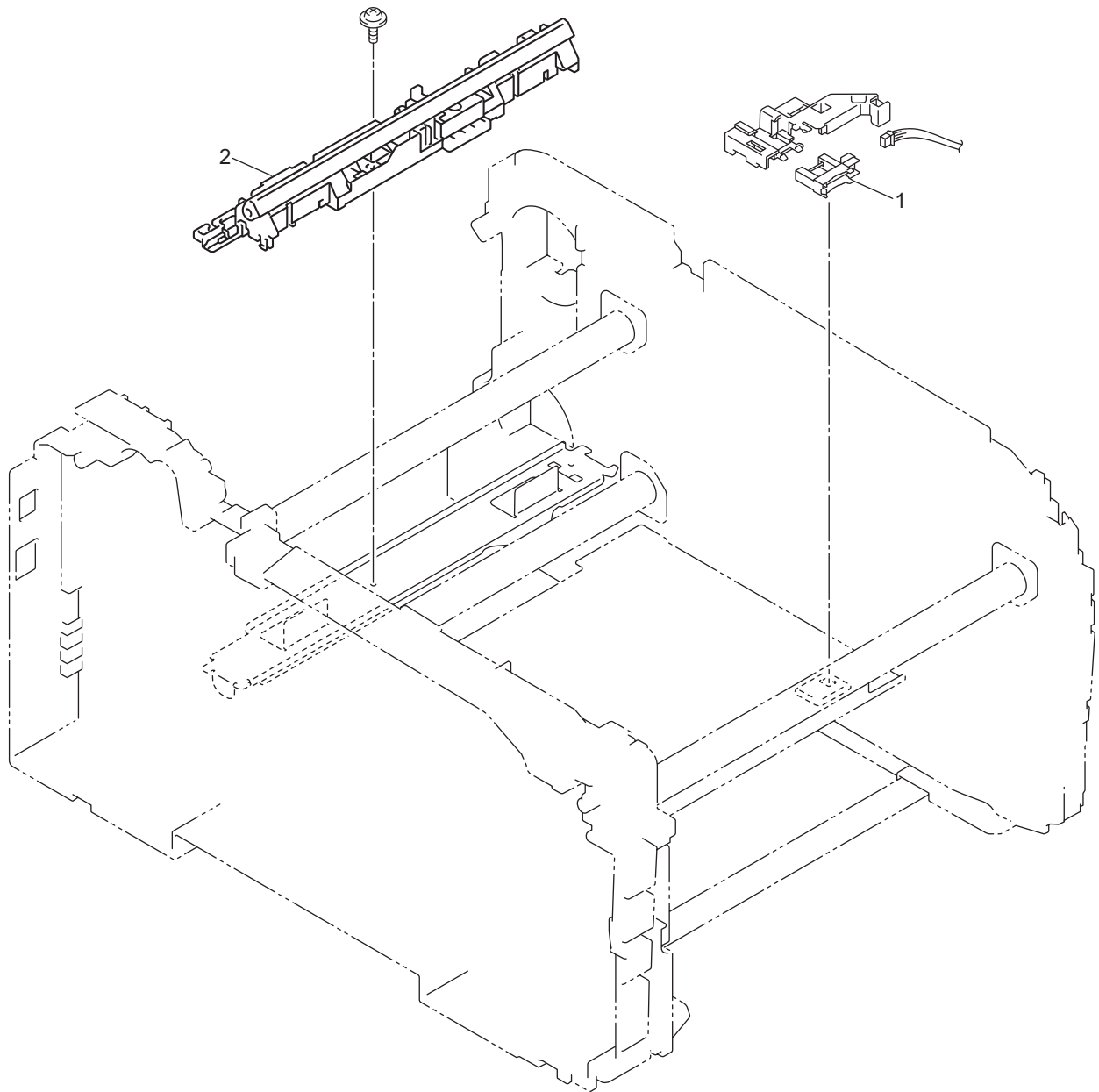
UK: U.K.

US: U.S.A.

CONTENTS

1.	<u>ENGINE FRAME UNIT</u>	1
2.	<u>FRAME L & DRIVE UNIT</u>	3
3.	<u>FRAME R UNIT</u>	5
4.	<u>FRAME</u>	7
5.	<u>LED TOP COVER</u>	9
6.	<u>PAPER FEEDER</u>	11
7.	<u>PAPER TRAY</u>	13
8.	<u>FUSER UNIT</u>	15
9.	<u>COVERS & LABELS</u>	17
10.	<u>MAIN PCB</u>	19
11.	<u>ENGINE PCB</u>	21
12.	<u>LVPS</u>	23
13.	<u>HVPS</u>	25
14.	<u>AC CORD</u>	27
15.	<u>ACCESSORIES</u>	29
16.	<u>PACKING MATERIALS</u>	31
17.	<u>PERIODICAL MAINTENANCE PARTS</u>	33

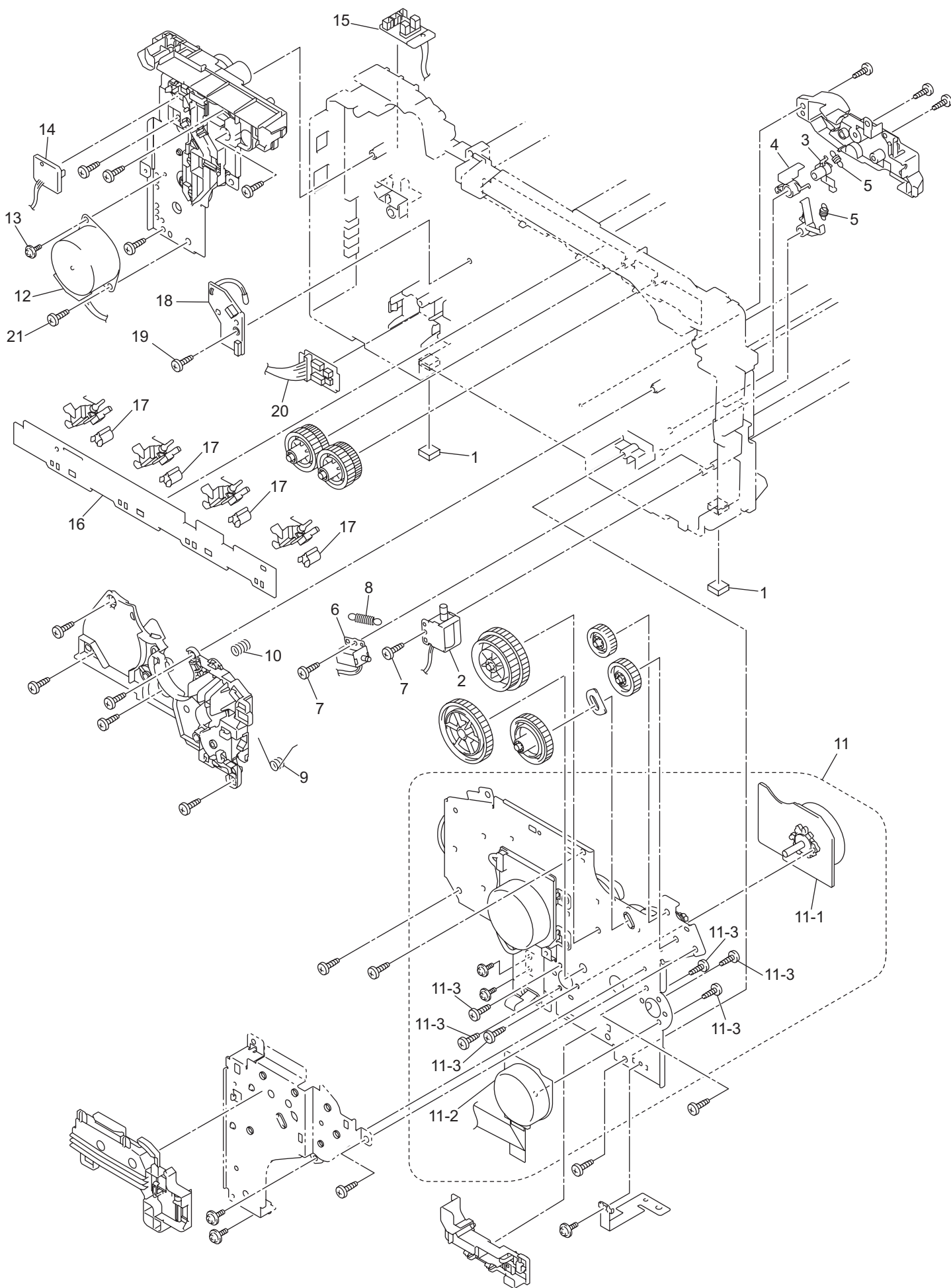
1.ENGINE FRAME UNIT



1. ENGINE FRAME UNIT

REF No.	CODE	Q'TY	DESCRIPTION	REMARKS
1	LM9221001	1	WASTE TONER SENSOR	
2	LU5047001	1	REGISTRATION SENSOR HOLDER ASSY	CHG
3	LV0144004	1	REGISTRATION MARK R PCB ASSY	DEL
4	LU5694004	2	TAPTITE BIND B M3X10	DEL

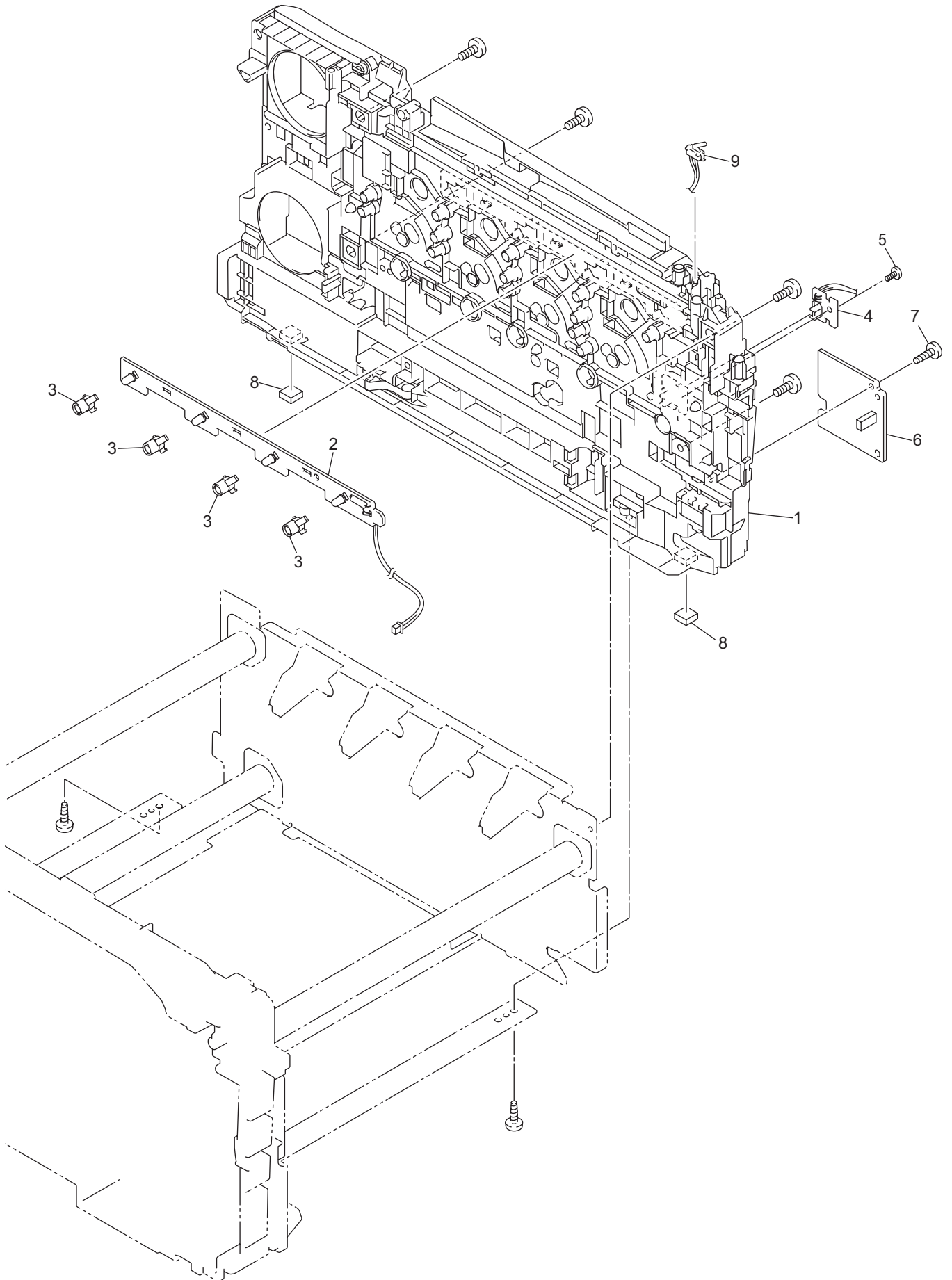
2.FRAME L & DRIVE UNIT



2. FRAME L & DRIVE UNIT

REF No.	CODE	Q'TY	DESCRIPTION	REMARKS
1	LU5114001	2	RUBBER FOOT	
2	LU5084001	1	PF REGISTRATION SOLENOID	
3	LU6489001	1	LM HOOK B	CHG
4	LU5094001	1	LM HOOK C	
5	LR0910001	2	HOOK SPRING BC10	
6	LU5102001	1	PICK-UP SOLENOID	
7	LU5694001	2	TAPTITE BIND B M3X10	
8	LU2032001	1	PICK-UP SOLENOID LEVER SPRING	
9	LU5104001	1	PICK-UP SECTOR GEAR SPRING	
10	LU5098001	1	FRICITION SPRING	
11	LU5115001	1	DRUM DEVELOP DRIVE UNIT	
11-1	LU5123001	1	DEVELOP DRIVE MOTOR	
11-2	LU5160001	1	PAPER FEED MOTOR ASSY	
11-3	000300416	6	SCREW BIND M3X4	
12	LU5148001	1	FUSER/EJECT DRIVE MOTOR	
13	LU5691001	1	TAPTITE CUP S M3X6 SR	
14	LV0140001	1	FUSER/EJECT DRIVE MOTOR SENSOR PCB ASSY	
15	LV0136001	1	EJECT FRONT SENSOR PCB ASSY	
16	LV0137001	1	TONER/NEW SENSOR PCB ASSY	
17	UL9037001	4	PT SENSOR HOLDER	
18	LV0138001	1	DRUM MOTOR ORIGIN SENSOR PCB ASSY	
19	LU5694001	1	TAPTITE BIND B M3X10	
20	LV0139001	1	REGISTRATION MARK RELAY PCB ASSY	
21	LU5693001	1	TAPTITE BIND B M4X12	

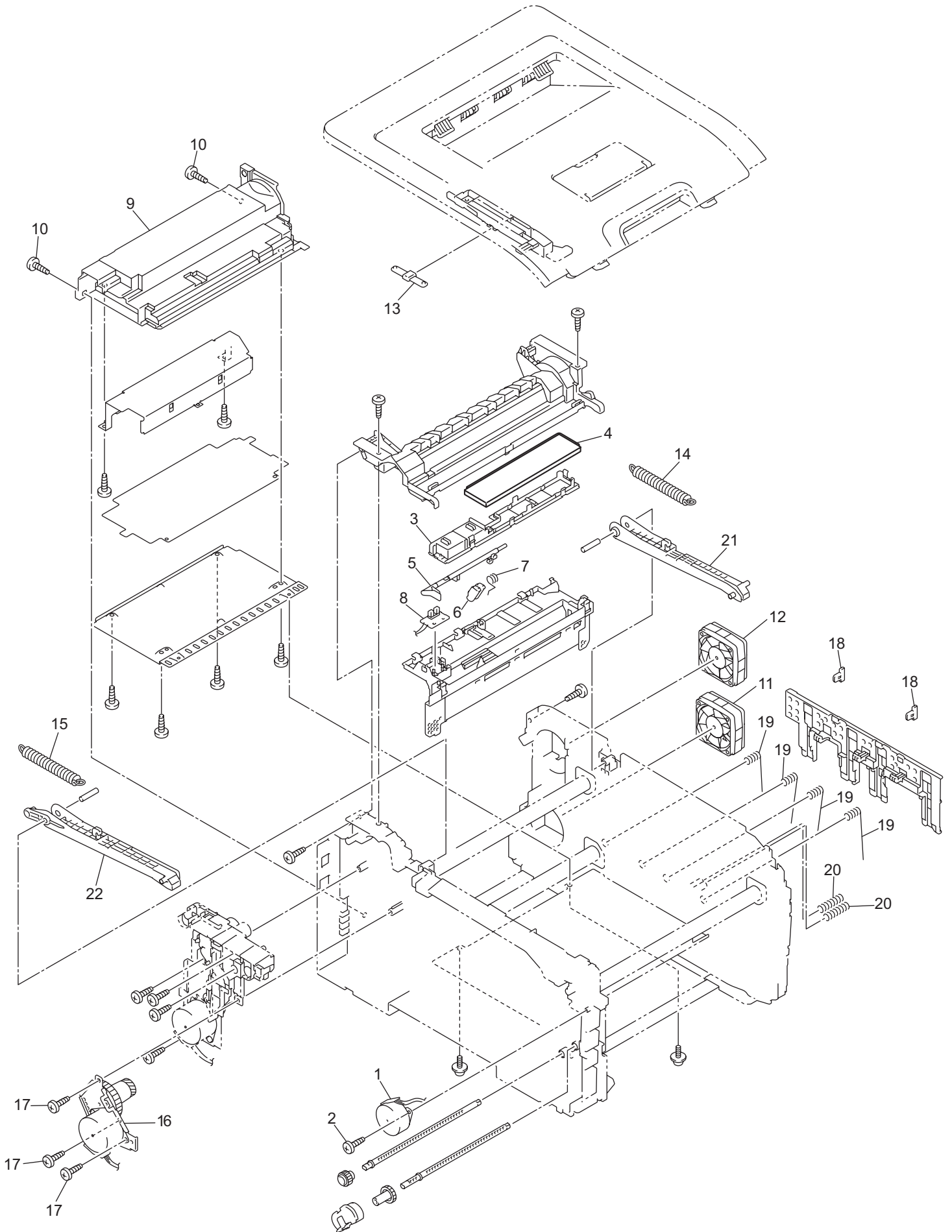
3.FRAME R UNIT



3. FRAME R UNIT

REF No.	CODE	Q'TY	DESCRIPTION	REMARKS
1	LU5169001	1	SIDE FRAME R	
2	LV0152001	1	TONER LED PCB ASSY	
3	LU5170001	4	LED HOLDER	
4	LV0188001	1	DEVELOP RELEASE SENSOR PCB ASSY	
5	UU0552001	1	TAPTITE CUP B 3X8	
6	LV0149001	1	HVPS CONTROL PCB ASSY	
7	Z07200001	1	TAPTITE PAN (S/P W) B M3X10	
8	LU5114001	2	RUBBER FOOT	
9	LV0183001	1	TOP COVER OPEN SWITCH	

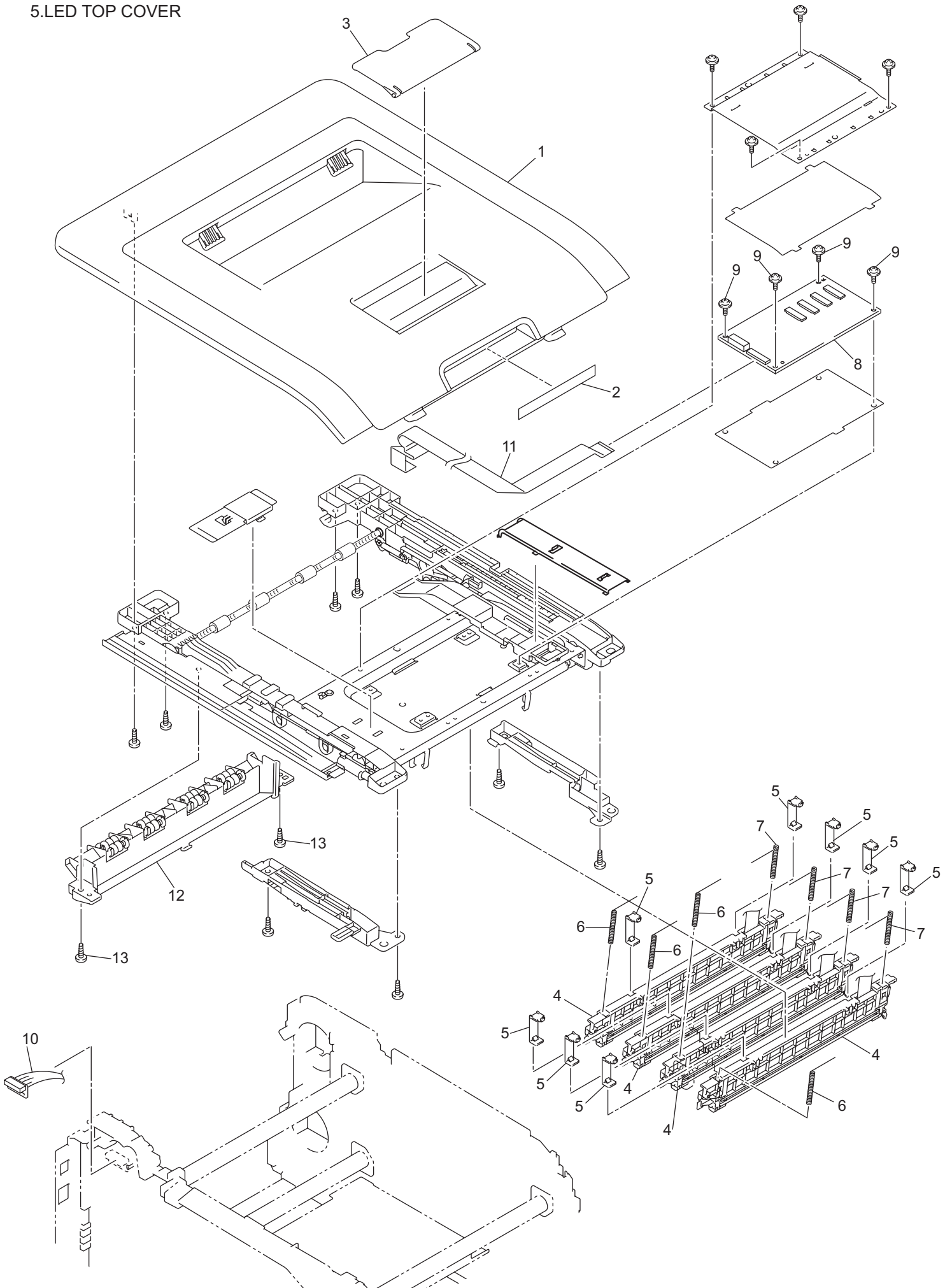
4.FRAME



4. FRAME

REF No.	CODE	Q'TY	DESCRIPTION	REMARKS
1	LU5181001	1	DEVELOP RELEASE MOTOR ASSY	
2	085320516	1	TAPTITE BIND S M3X5	
3	LU5190001	1	AIR FILTER HOLDER ASSY	
4	LU6122001	1	OZONE FILTER ASSY	
5	LU5187001	1	PAPER EJECT REAR ACTUATOR	
6	LU5188001	1	PAPER EJECT REAR ACTUATOR TOP	
7	LU5189001	1	PAPER EJECT REAR ACTUATOR SPRING	
8	LV0141001	1	EJECT REAR SENSOR PCB ASSY	
9	LU5196001	1	LVPS COVER	
10	LU5693001	2	TAPTITE BIND B M4X12	
11	LU5200001	1	LV FAN ASSY	
12	LU5202001	1	MAIN FAN ASSY	
13	LU5216001	1	ARM GUIDE L COVER	
14	LU5217001	1	TC ARM SPRING R	
15	LU6418001	1	TC ARM SPRING L	
16	LU5227001	1	BELT DRIVE UNIT	
17	LU6109001	3	TAPTITE PAN(WASHER)B M4X12DA	
18	LU6330001	2	SPACER	
19	LU5172001	4	TR HEAD SPRING	
20	LU5177001	2	BELT CLEANER SPRING	
21	LU5180001	1	TOP COVER ARM R	
22	LU6009001	1	TOP COVER ARM L	

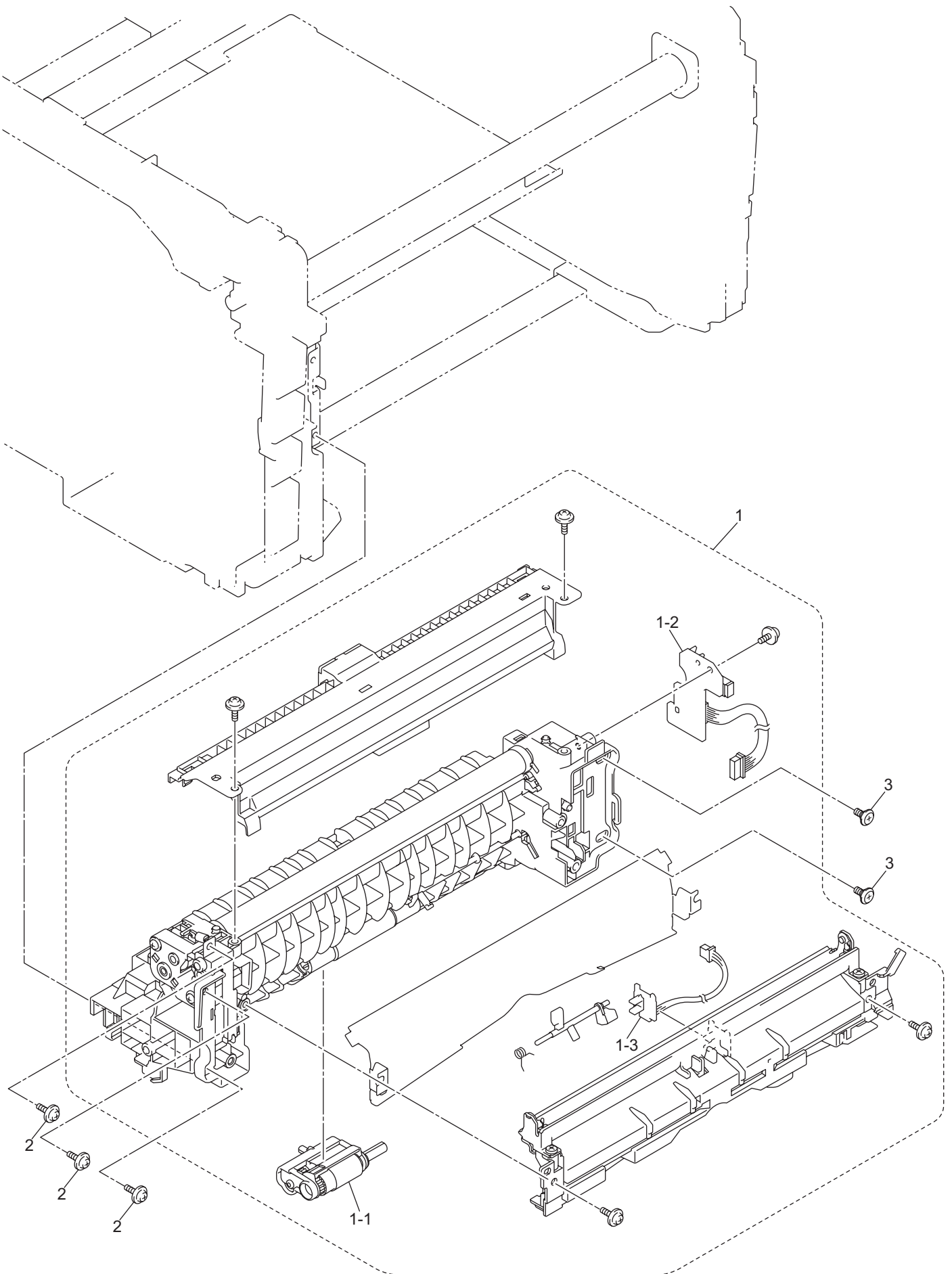
5.LED TOP COVER



5. LED TOP COVER

REF No.	CODE	Q'TY	DESCRIPTION	REMARKS
1	LU5269001	1	TOP COVER SUB ASSY	
2	LU5880001	1	LABEL DR OPERATION 175X21	
3	LU5276001	1	SUPPORT FLAP	
4	LU5831001	4	LED ASSY (SP)	
5	LU6238001	8	HOLDER HOOK	
6	LU5253001	4	Z SPRING L	
7	LU6063001	4	Z SPRING R	
8	LV0441001	1	LED HEAD CONTROL PCB ASSY	
9	LU5691001	4	TAPTITE CUP S M3X6 SR	
10	LV0154001	1	LED POWER RELAY PCB ASSY	
11	LV0170001	1	FFC HARNESS:MAIN-LED CTL	
12	LU5286001	1	INNER CHUTE 2 ASSY	
13	LU5693001	2	TAPTITE BIND B M4X12	

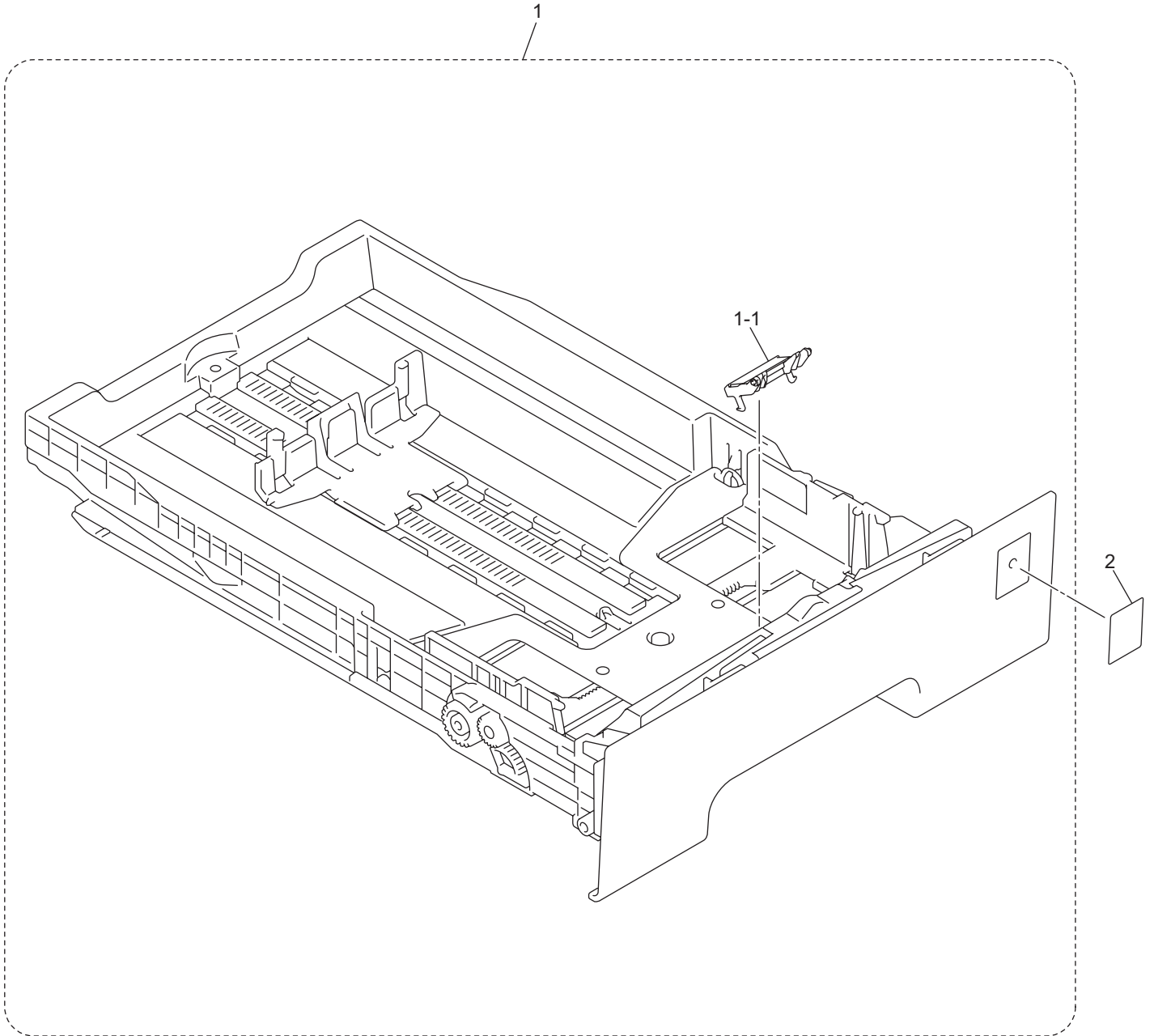
6.PAPER FEEDER



6. PAPER FEEDER

REF No.	CODE	Q'TY	DESCRIPTION	REMARKS
1	LU5294001	1	PAPER FEED UNIT	
1-1	LU5311001	1	ROLLER HOLDER ASSY	
1-2	LV0151001	1	REGISTRATION FRONT/REAR SENSOR PCB ASSY	
1-3	LV0150001	1	MANUAL SENSOR PCB ASSY	
2	LU5691001	3	TAPTITE CUP S M3X6 SR	
3	LM3856001	2	SHOULDER SCREW	

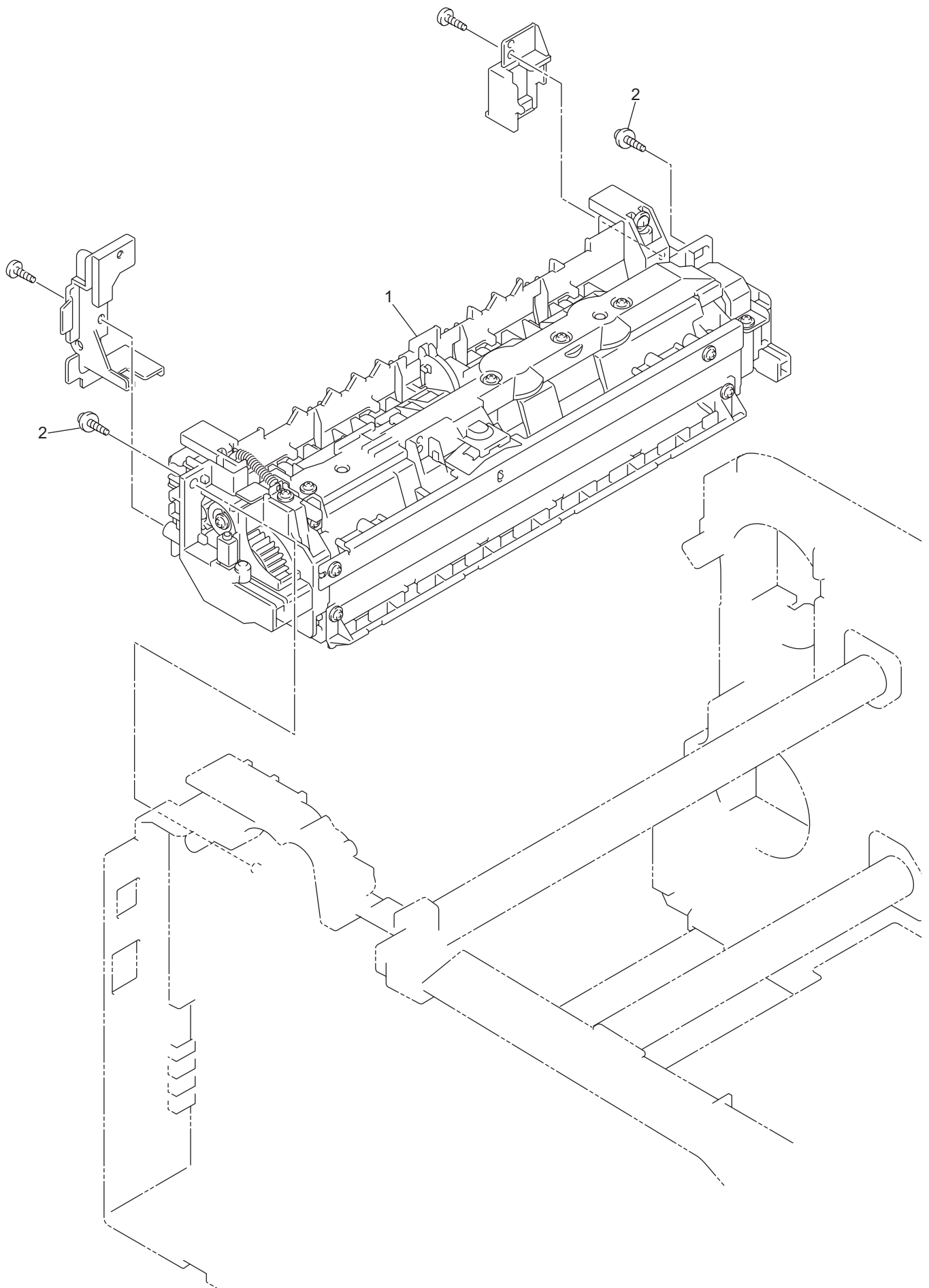
7.PAPER TRAY



7. PAPER TRAY

REF No.	CODE	Q'TY	DESCRIPTION	REMARKS
1	LU5347001	1	PAPER TRAY UNIT, HL-3040CN	
1	LU5347002	1	PAPER TRAY UNIT, HL-3070CW	
1-1	LU5669001	1	SEPARATION PAD ASSY	
2	LU6035001	1	COLOR LABEL FOR US/CAN/ARG/CHL	
2	LU6036001	1	COLOR LABEL EXCEPT FOR US/CAN/ARG/CHL	

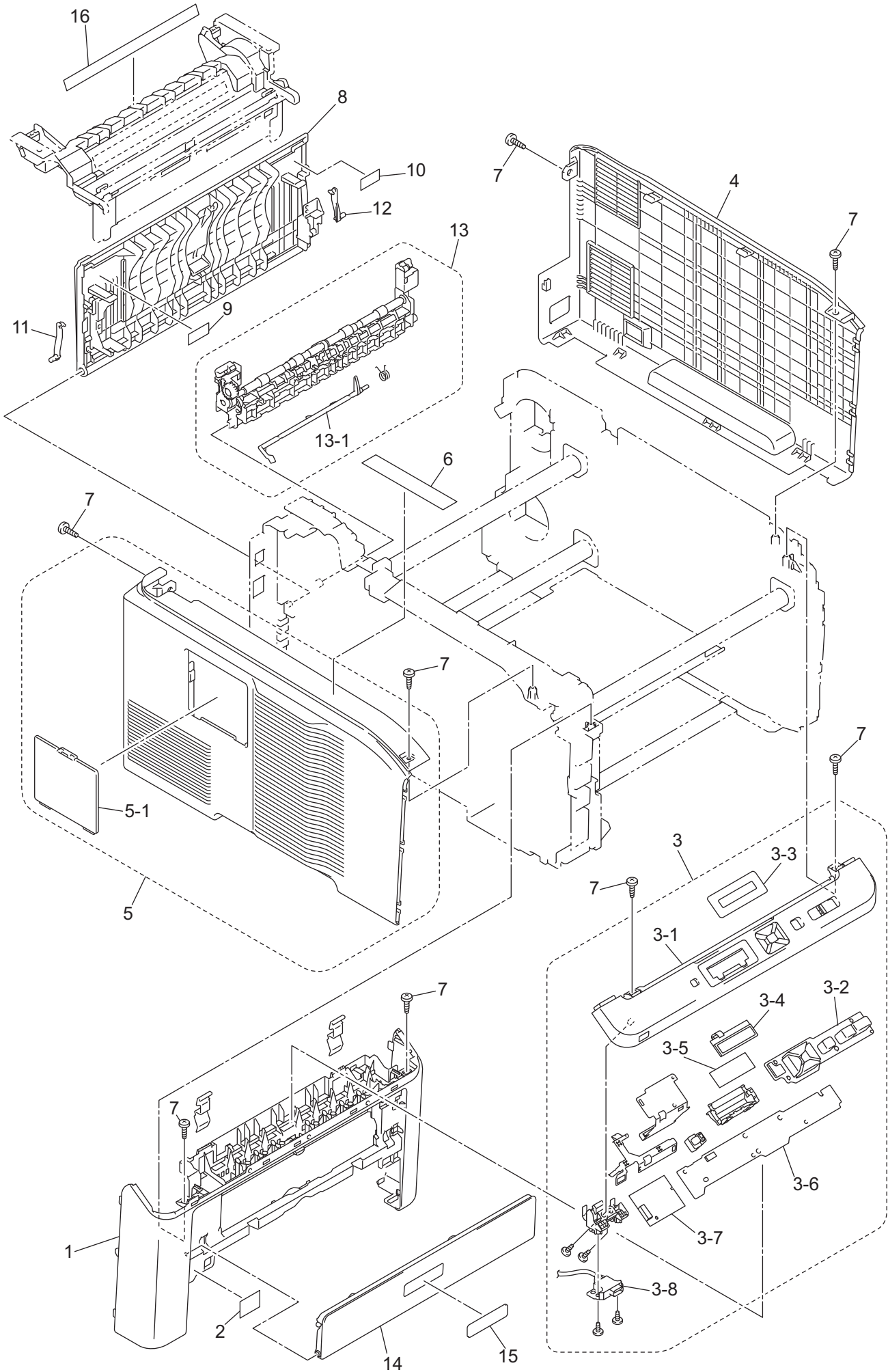
8.FUSER UNIT



8. FUSER UNIT

REF No.	CODE	Q'TY	DESCRIPTION	REMARKS
1	LU5796001	1	FUSER UNIT 115V (SP)	
1	LU5797001	1	FUSER UNIT 230V (SP)	
2	LJ0395001	2	TAPTITE PAN B M4X14	

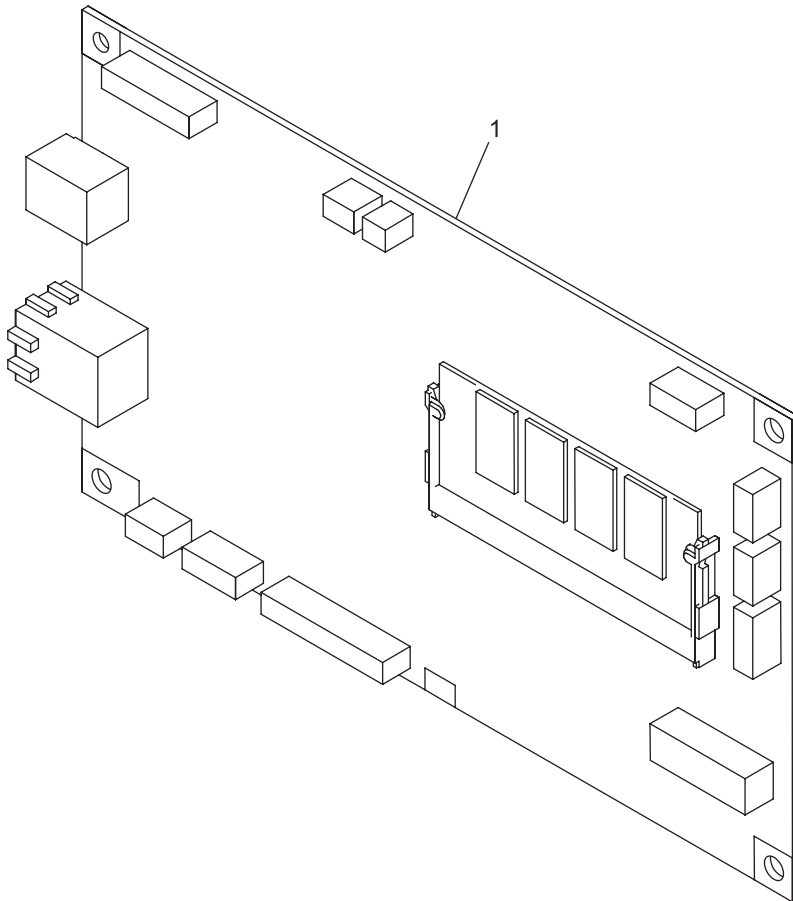
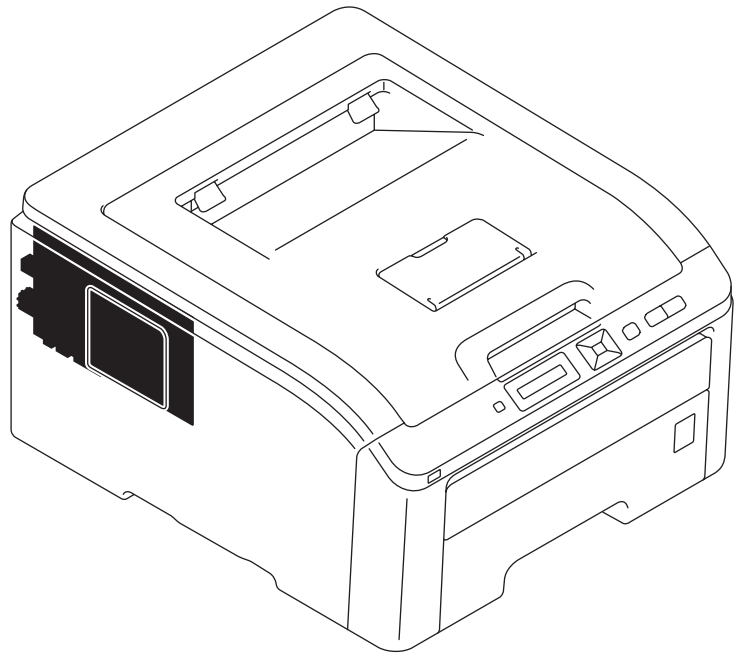
9. COVERS & LABELS



9. COVERS & LABELS

REF No.	CODE	Q'TY	DESCRIPTION	REMARKS
1	LU5405001	1	FRONT COVER	
2	LU5877001	1	LABEL FRONT JAM 25X19	
3	LU5406001	1	CONTROL PANEL COVER ASSY, HL-3040CN	
3	LU5758001	1	CONTROL PANEL COVER ASSY, HL-3070CW	
3-1	LU5407001	1	PANEL COVER PRINTED ASSY, HL-3040CN	
3-1	LU5759001	1	PANEL COVER PRINTED ASSY, HL-3070CW	
3-2	LU5409001	1	RUBBER KEY PRINTED ASSY, HL-3040CN	
3-2	LU5780001	1	RUBBER KEY PRINTED ASSY, HL-3070CW	
3-3	LU5411001	1	LCD SHEET PRINTED ASSY, HL-3040CN	
3-3	LU5782001	1	LCD SHEET PRINTED ASSY, HL-3070CW	
3-4	LT0498001	1	LCD, HL-3040CN	
3-4	LV0308001	1	LCD, HL-3070CW	
3-5	LE7130001	1	BACK LIGHT FILM, HL-3070CW	
3-6	LV0153001	1	PANEL PCB ASSY, HL-3040CN	
3-6	LV0153002	1	PANEL PCB ASSY, HL-3070CW	
3-7	LT0963001	1	WIRELESS LAN PCB ASSY, HL-3070CW	
3-8	LV0261001	1	USB DIRECT INTERFACE RELAY PCB ASSY, HL-3070CW	
4	LU5418001	1	SIDE COVER R ASSY	
5	LU5422001	1	SIDE COVER L ASSY	
5-1	LR0516002	1	ACCESS COVER	
6	LU5881001	1	LABEL SPRAY CAUTION F225	
7	LU5693001	8	TAPTITE BIND B M4X12	
8	LU5426001	1	BACK COVER	
9	LU5876001	1	LABEL REAR JAM48X22	
10	LU5878001	1	LABEL H/SP CAUTION REAR 44X22	
11	LU5427001	1	BACK COVER STOPPER L	
12	LU6131001	1	BACK COVER STOPPER R	
13	LU5428001	1	FUSER COVER	
13-1	LU5440001	1	PAPER EJECT FRONT ACTUATOR	
14	LU5442001	1	MANUAL FEED SLOT ASSY, HL-3040CN	
14	LU5442002	1	MANUAL FEED SLOT ASSY, HL-3070CW	
15	LU4163003	1	BROTHER EMBLEM 2, HL-3040CN	
16	LU5879001	1	LABEL HEAT CAUTION FOR US/CAN/ARG/CHL	ADD
16	LU6173001	1	LABEL HEAT CAUTION	ADD
			FOR GER/UK/CHE/ITA/ISR/RUS/PND/FRA/IBR/CEE	
16	LU6335001	1	LABEL HEAT CAUTION FOR ARL/TUR/GUL/SGP	ADD

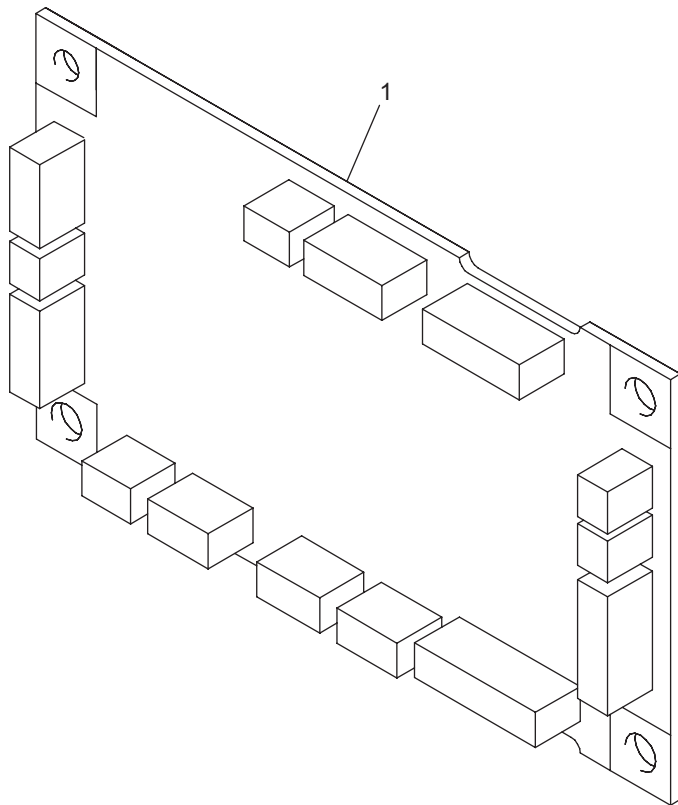
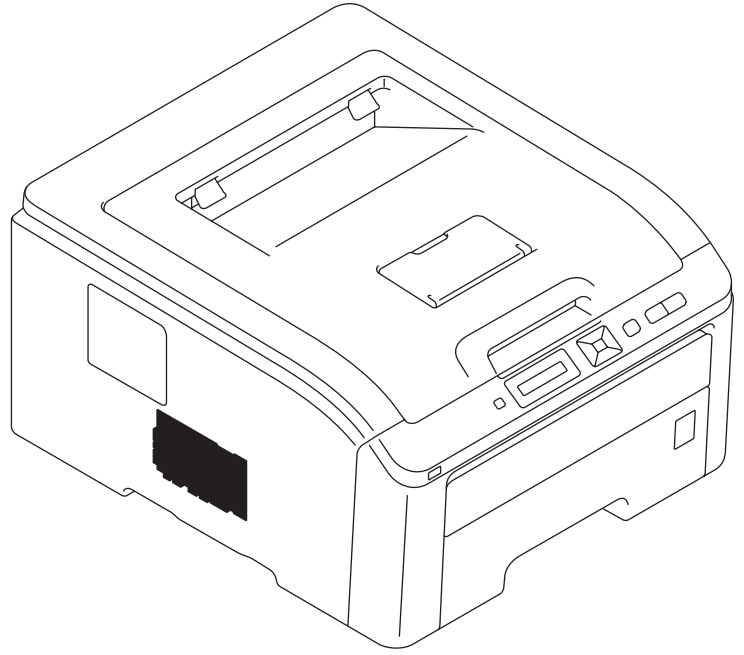
10.MAIN PCB



10. MAIN PCB

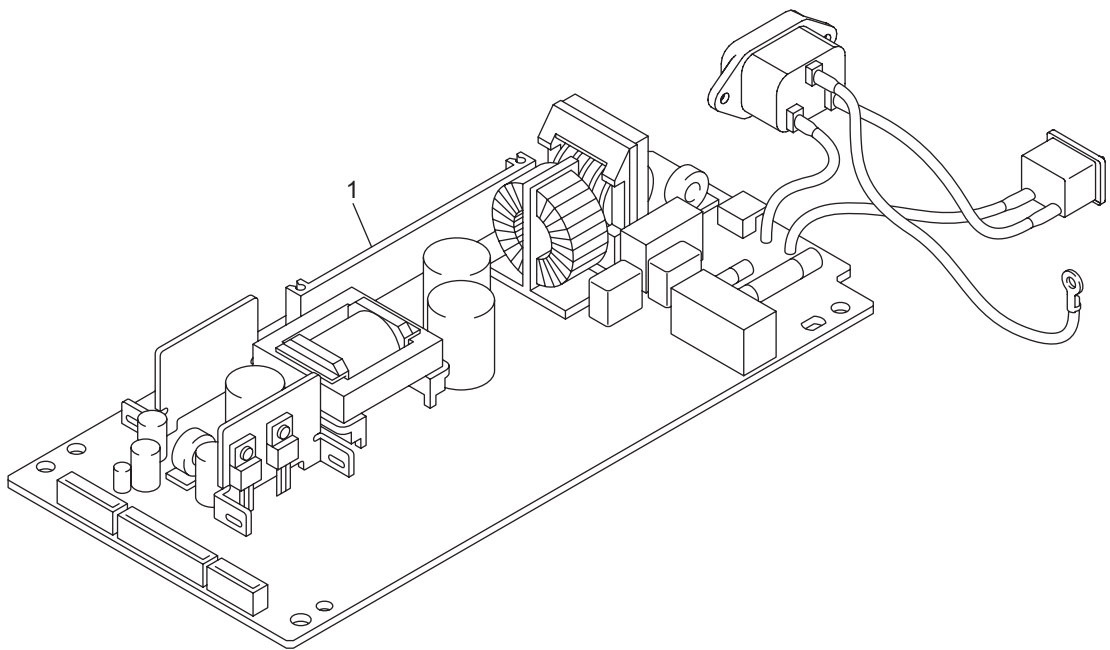
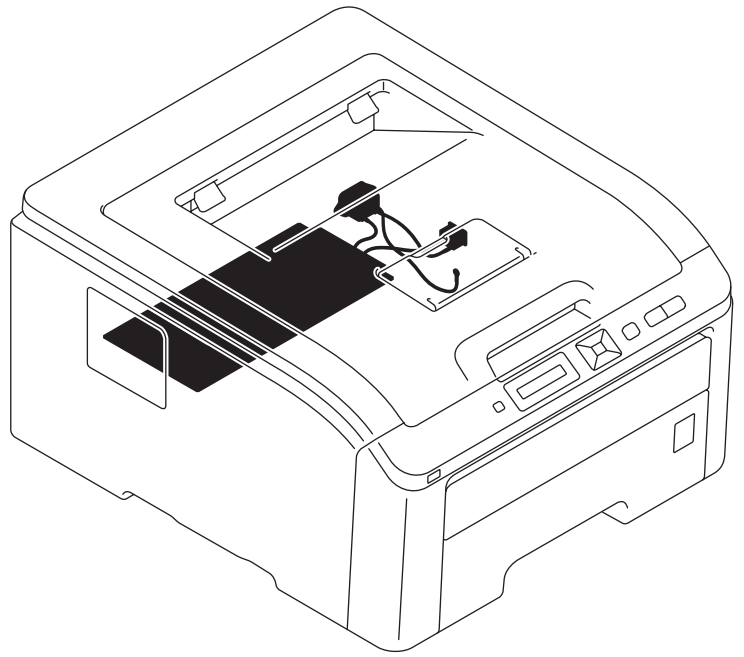
REF No.	CODE	Q'TY	DESCRIPTION	SYMBOL	REMARKS
1	LV0147073	1	MAIN PCB ASSY, HL-3040CN	B512293	
1	LV0147074	1	MAIN PCB ASSY, HL-3070CW	B512293	

11.ENGINE PCB



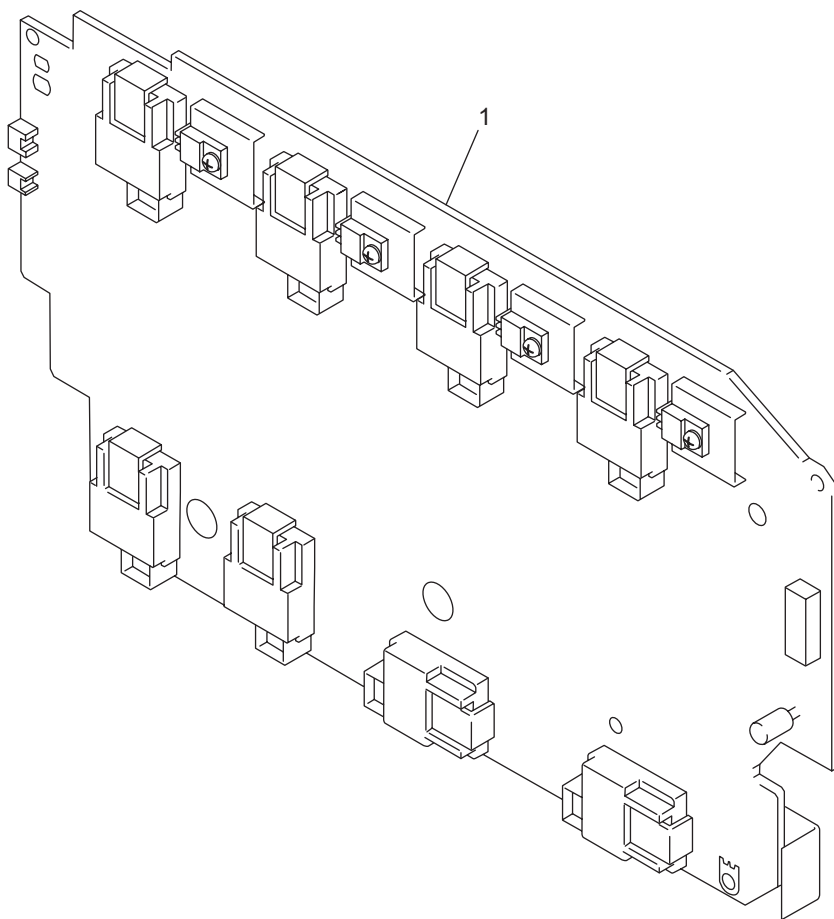
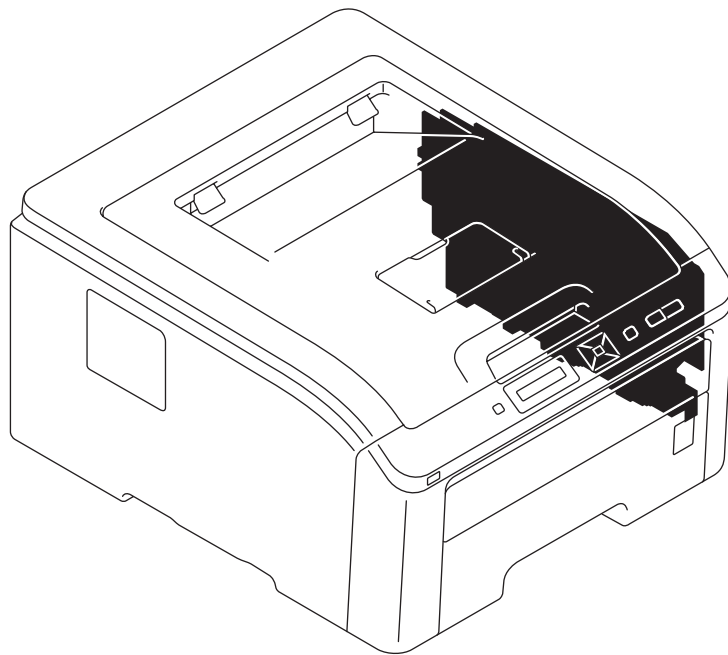
11. ENGINE PCB

REF No.	CODE	Q'TY	DESCRIPTION	SYMBOL	REMARKS
1	LV0148001	1	ENGINE PCB ASSY	B512292	



12. LVPS

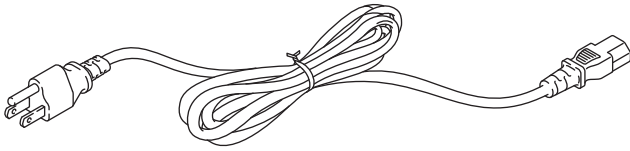
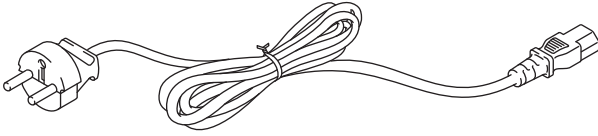
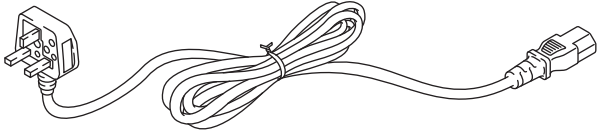
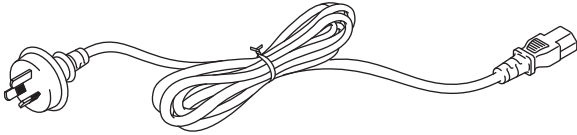
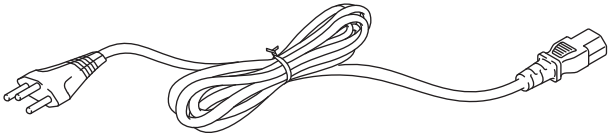
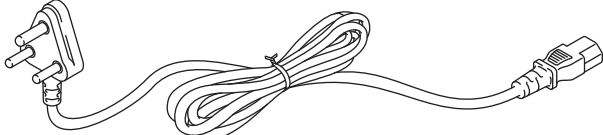
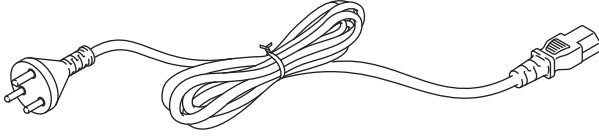
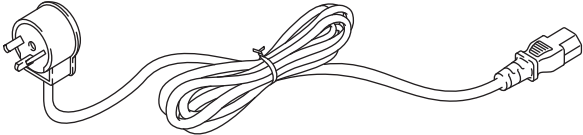
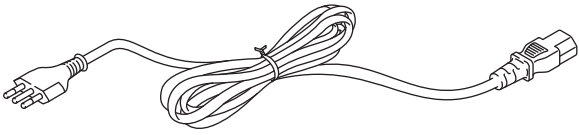
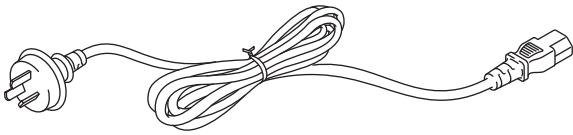
REF No.	CODE	Q'TY	DESCRIPTION	REMARKS
1	LV0327001	1	LOW-VOLTAGE POWER SUPPLY PCB ASSY 115V	
1	LV0320001	1	LOW-VOLTAGE POWER SUPPLY PCB ASSY 230V EXCEPT FOR RUS	
1	LV0381001	1	LOW-VOLTAGE POWER SUPPLY PCB ASSY 230V FOR RUS	



13. HVPS

REF No.	CODE	Q'TY	DESCRIPTION	REMARKS
1	LV0342001	1	HIGH-VOLTAGE POWER SUPPLY PCB ASSY FOR US	
1	LV0146001	1	HIGH-VOLTAGE POWER SUPPLY PCB ASSY EXCEPT FOR US	

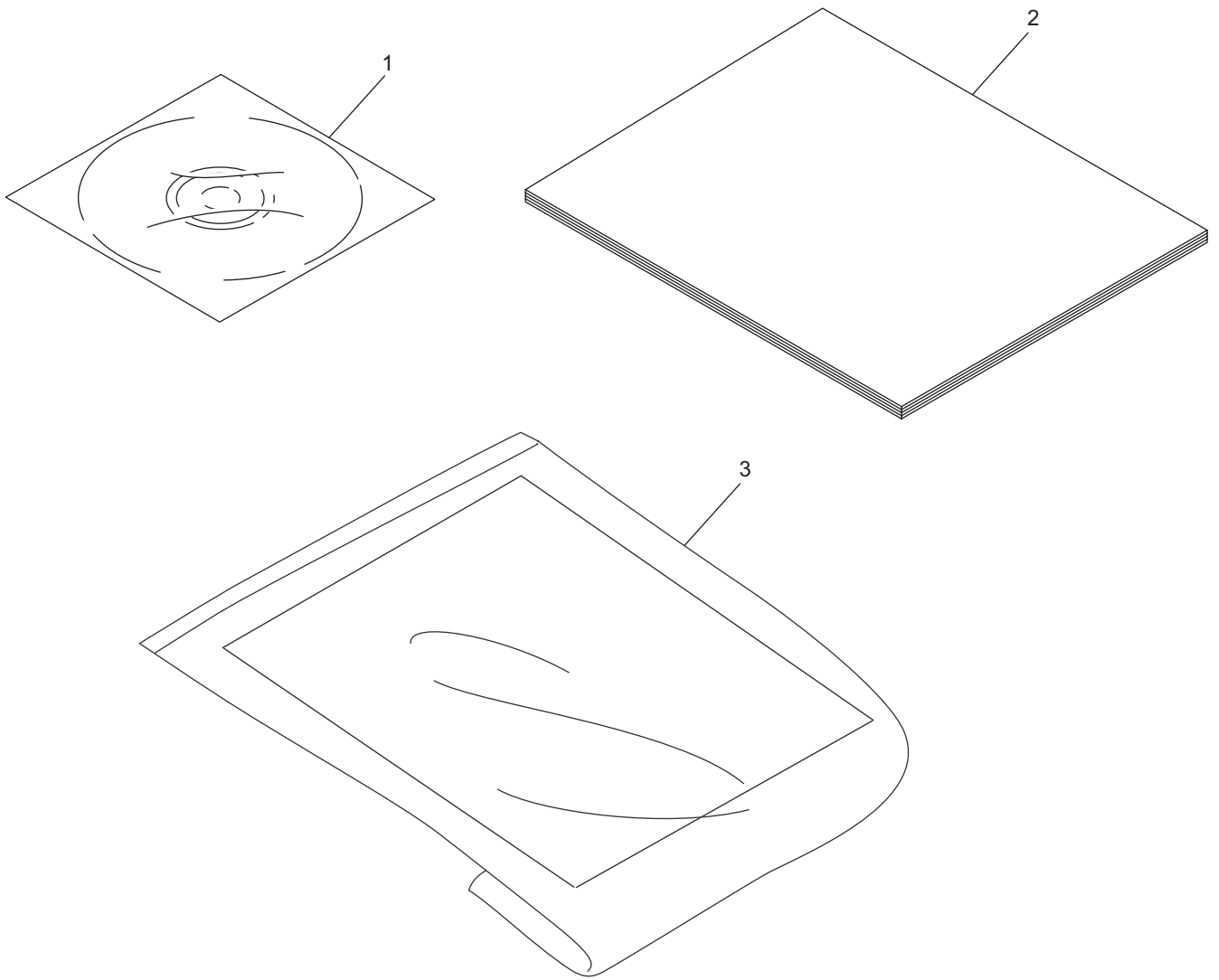
14. AC CORDS

1	
2	
3	
4	
5	
6	
7	
8	
9	
10	

14. AC CORD

REF No.	CODE	Q'TY	DESCRIPTION	REMARKS
1	LG4400001	1	AC CORD BAG ASSY LF UL/CSA	
2	LG4424001	1	AC CORD BAG ASSY LF VDE	
3	LG6208001	1	AC CORD BAG ASSY LF BS/PSB	
4	LJ9667001	1	AC CORD BAG ASSY LF SAA	
5	LG4718001	1	AC CORD BAG ASSY LF SEV	
6	LG6404001	1	AC CORD BAG ASSY LF SAF	
7	LG4720001	1	AC CORD BAG ASSY LF DEMKO	
8	LG7005001	1	AC CORD BAG ASSY LF ISRAEL	
9	LG6207001	1	AC CORD BAG ASSY LF CHILE	
10	LT0925001	1	AC CORD BAG ASSY LF IRAM	

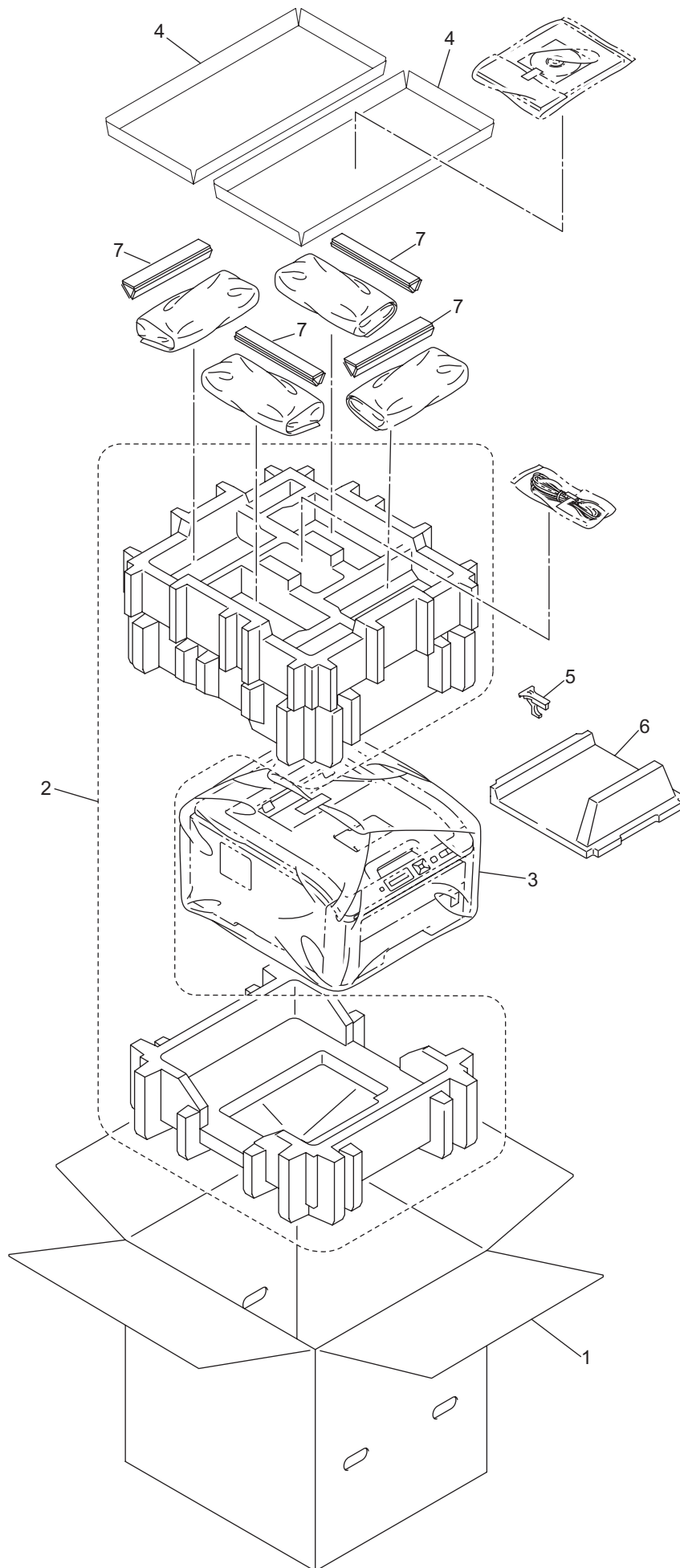
15.ACCESSORIES



15. ACCESSORIES

REF No.	CODE	Q'TY	DESCRIPTION	REMARKS
1	LU5835001	1	CD ASSY EXCEPT FOR TUR/RUS/CEE	
1	LU5836001	1	CD ASSY FOR TUR/RUS/CEE	
1	LU6425001	1	CD ASSY WIN7 EXCEPT FOR TUR/RUS/CEE (Windows7)	ADD
1	LU6426001	1	CD ASSY WIN7 FOR TUR/RUS/CEE (Windows7)	ADD
2	LU6077001	1	SET GUIDE, HL-3040CN FOR US/CAN/UK/ARL/ISR/GUL/SGP	
2	LU6079001	1	SET GUIDE, HL-3040CN FOR CAN/CHE/FRA (FRENCH)	
2	LU6078001	1	SET GUIDE, HL-3040CN FOR GER/CHE (GERMAN)	
2	LU6081001	1	SET GUIDE, HL-3040CN FOR CHE/ITA (ITALIAN)	
2	LU6091001	1	SET GUIDE, HL-3040CN FOR TUR	
2	LU6088001	1	SET GUIDE, HL-3040CN FOR RUS	
2	LU6084001	1	SET GUIDE, HL-3040CN FOR PND (NORWEGIAN)	
2	LU6085001	1	SET GUIDE, HL-3040CN FOR PND (SWEDISH)	
2	LU6086001	1	SET GUIDE, HL-3040CN FOR PND (DANISH)	
2	LU6087001	1	SET GUIDE, HL-3040CN FOR PND (FINNISH)	
2	LU6080001	1	SET GUIDE, HL-3040CN FOR FRA (DUTCH)	
2	LU6082001	1	SET GUIDE, HL-3040CN FOR IBR/CHL (SPANISH)	
2	LU6083001	1	SET GUIDE, HL-3040CN FOR IBR (PORTUGUESE)	
2	LU6089001	1	SET GUIDE, HL-3040CN FOR CEE (CZECH/HUNGARIAN/POLISH)	
2	LU6090001	1	SET GUIDE, HL-3040CN FOR CEE (ENGLISH/BULGARIAN/ROMANIAN/SLOVAK)	
2	LU6092001	1	SET GUIDE, HL-3070CW FOR US/CAN/UK/ARL/GUL/SGP (ENGLISH)	
2	LU6094001	1	SET GUIDE, HL-3070CW FOR CAN/CHE/FRA (FRENCH)	
2	LU6093001	1	SET GUIDE, HL-3070CW FOR GER/CHE (GERMAN)	
2	LU6096001	1	SET GUIDE, HL-3070CW FOR ITA	
2	LU6106001	1	SET GUIDE, HL-3070CW FOR TUR	
2	LU6099001	1	SET GUIDE, HL-3070CW FOR PND (NORWEGIAN)	
2	LU6100001	1	SET GUIDE, HL-3070CW FOR PND (SWEDISH)	
2	LU6101001	1	SET GUIDE, HL-3070CW FOR PND (DANISH)	
2	LU6102001	1	SET GUIDE, HL-3070CW FOR PND (FINNISH)	
2	LU6095001	1	SET GUIDE, HL-3070CW FOR FRA (DUTCH)	
2	LU6097001	1	SET GUIDE, HL-3070CW FOR ARG/CHL/IBR (SPANISH)	
2	LU6098001	1	SET GUIDE, HL-3070CW FOR IBR (PORTUGUESE)	
2	LU6104001	1	SET GUIDE, HL-3070CW FOR CEE (CZECH/HUNGARIAN/POLISH)	
2	LU6105001	1	SET GUIDE, HL-3070CW FOR CEE (ENGLISH/BULGARIAN/ROMANIAN/SLOVAK)	
3	LU6123001	1	DRUM CLEANING SHEET KIT (SP)	

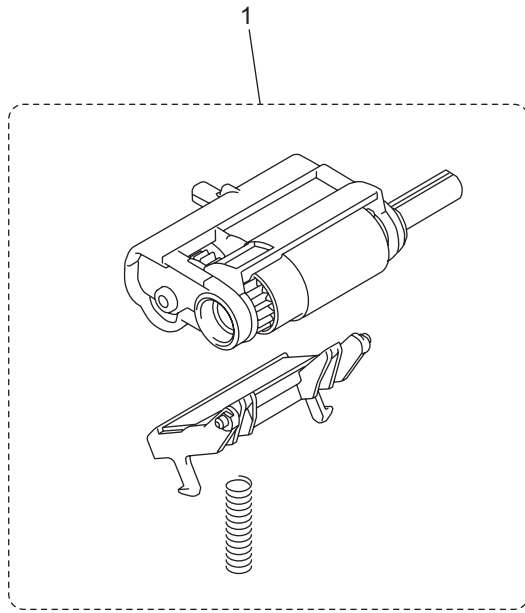
16.PACKING MATERIALS



16. PACKING MATERIALS

REF No.	CODE	Q'TY	DESCRIPTION	REMARKS
1	LU6163001	1	CARTON, HL-3040CN FOR US	
1	LU6167001	1	CARTON, HL-3040CN FOR CAN	
1	LU6211001	1	CARTON, HL-3040CN FOR GER/CHE	
1	LU6174001	1	CARTON, HL-3040CN FOR UK/ISR/RUS/PND/CEE	
1	LU6336001	1	CARTON, HL-3040CN FOR ARL/GUL/SGP	
1	LU6213001	1	CARTON, HL-3040CN FOR ITA/IBR	
1	LU6387001	1	CARTON, HL-3040CN FOR TUR	
1	LU6172001	1	CARTON, HL-3040CN FOR CHL	
1	LU6212001	1	CARTON, HL-3040CN FOR FRA	
1	LU6287001	1	CARTON, HL-3070CW FOR US	
1	LU6291001	1	CARTON, HL-3070CW FOR CAN	
1	LU6325001	1	CARTON, HL-3070CW FOR GER/UK/CHE/ITA/PND/FRA/IBR/CEE	
1	LU6407001	1	CARTON, HL-3070CW FOR ARL/GUL/SGP	
1	LU6411001	1	CARTON, HL-3070CW FOR TUR	
1	LU6293001	1	CARTON, HL-3070CW FOR ARG/CHL	
2	LU5659001	1	POLYSTYRENE PAD ASSY	
3	LU6051001	1	PE BAG 900X900H	
4	LU5662001	2	OPTION CARTON	
5	LU6110001	1	WASTE TONER BOX LOCK	
6	LU6245001	1	ASSEMBLY DRAWING PAD	
7	LU6423001	4	FIXING CARTON	

17.PERIODICAL MAINTENANCE PARTS



17.PERIODICAL MAINTENANCE PARTS

REF No.	CODE	Q'TY	DESCRIPTION	REMARKS
1	LU6068001	1	PAPER FEEDING KIT (SP)	