
4 Parts and diagrams

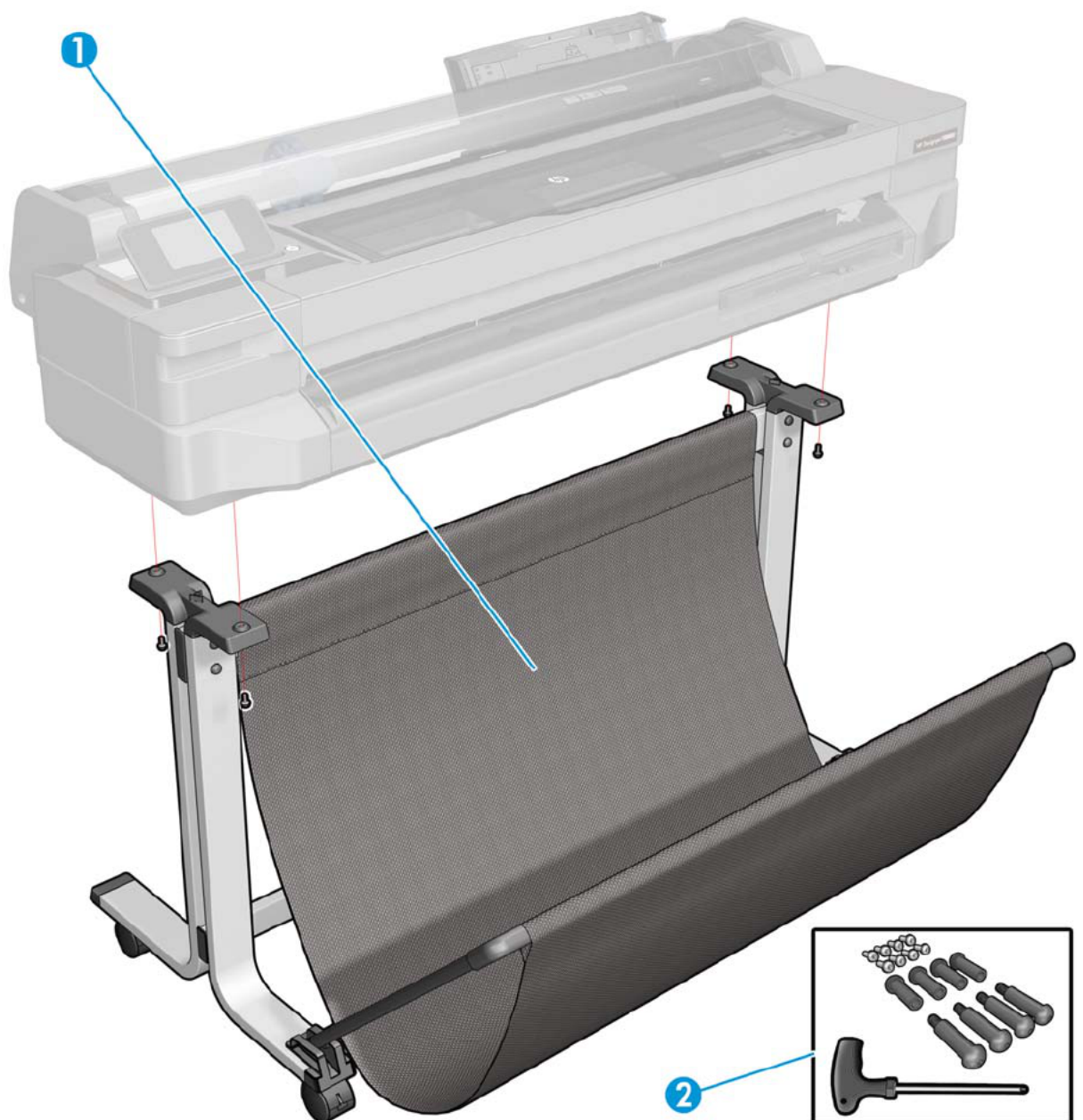
- [Introduction](#)
- [Printer support](#)
- [Covers](#)
- [Roll covers](#)
- [Right-hand assemblies](#)
- [Left-hand assemblies](#)
- [Carriage assembly](#)
- [Paper path \(front\)](#)
- [Paper path \(rear\)](#)
- [Roll supports](#)
- [Sensor Kit](#)
- [Miscellaneous parts](#)

Introduction

- The list of parts in this chapter include the notation CSR A or CSR B for parts that can be replaced by the customer. All other parts must be replaced by an engineer. See [Customer Self Repair parts on page 145](#).
- For information on the preventive maintenance kits, see [Preventive maintenance kits on page 320](#).
- Unless otherwise indicated, service parts are compatible with all SKUs. If there is any limitation, it is indicated in the tables below as follows:
 - 36: compatible with the 36-in T520.
 - 24: compatible with the 24-in T520 and the T120.
 - Pro: compatible with the T520.
 - Basic: compatible with the T120.

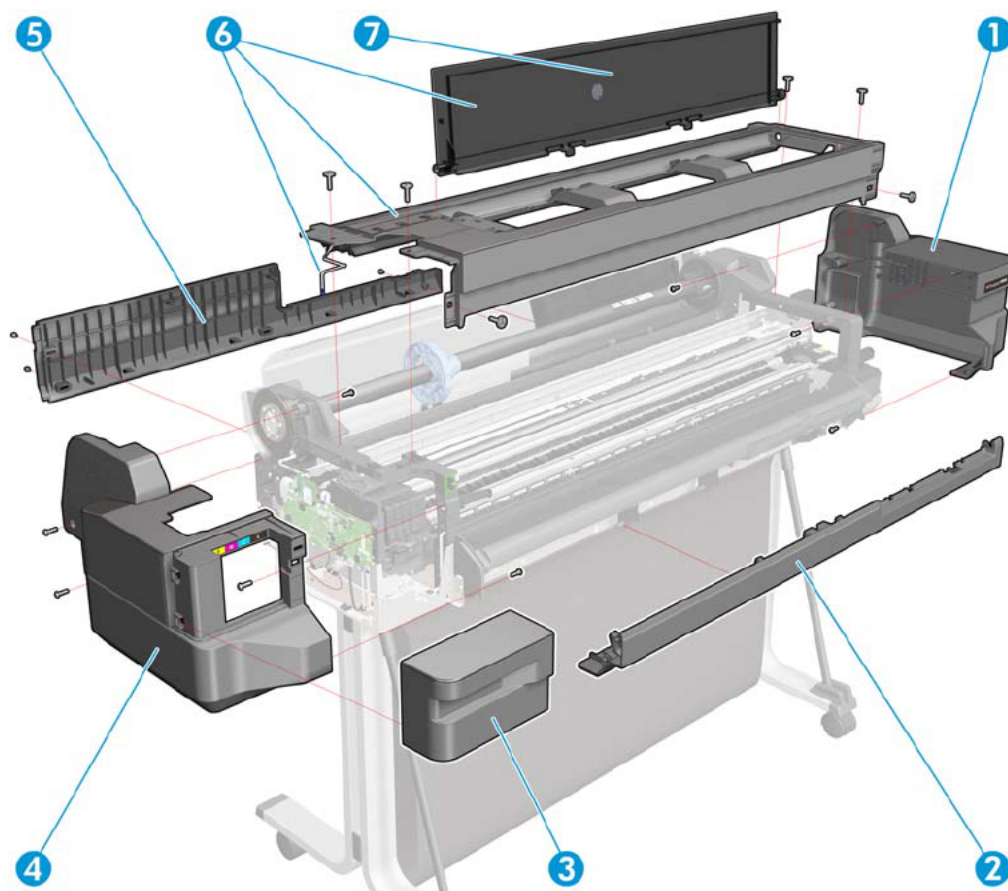
Printer support

HP part number	Part description	Removal and installation reference	Comments
1	CQ890-67052 Stand Assembly (24)		CSR A. Includes all parts needed to repair the stand: bin, legs, wheels, brackets, hardware kit, etc., and instruction flier. There are no separate kits for single components.
	CQ890-67053 Stand Assembly (36)		
2	CQ890-67054 Stand Hardware Kit		CSR A. Includes all screws and tools to repair and mount the stand.



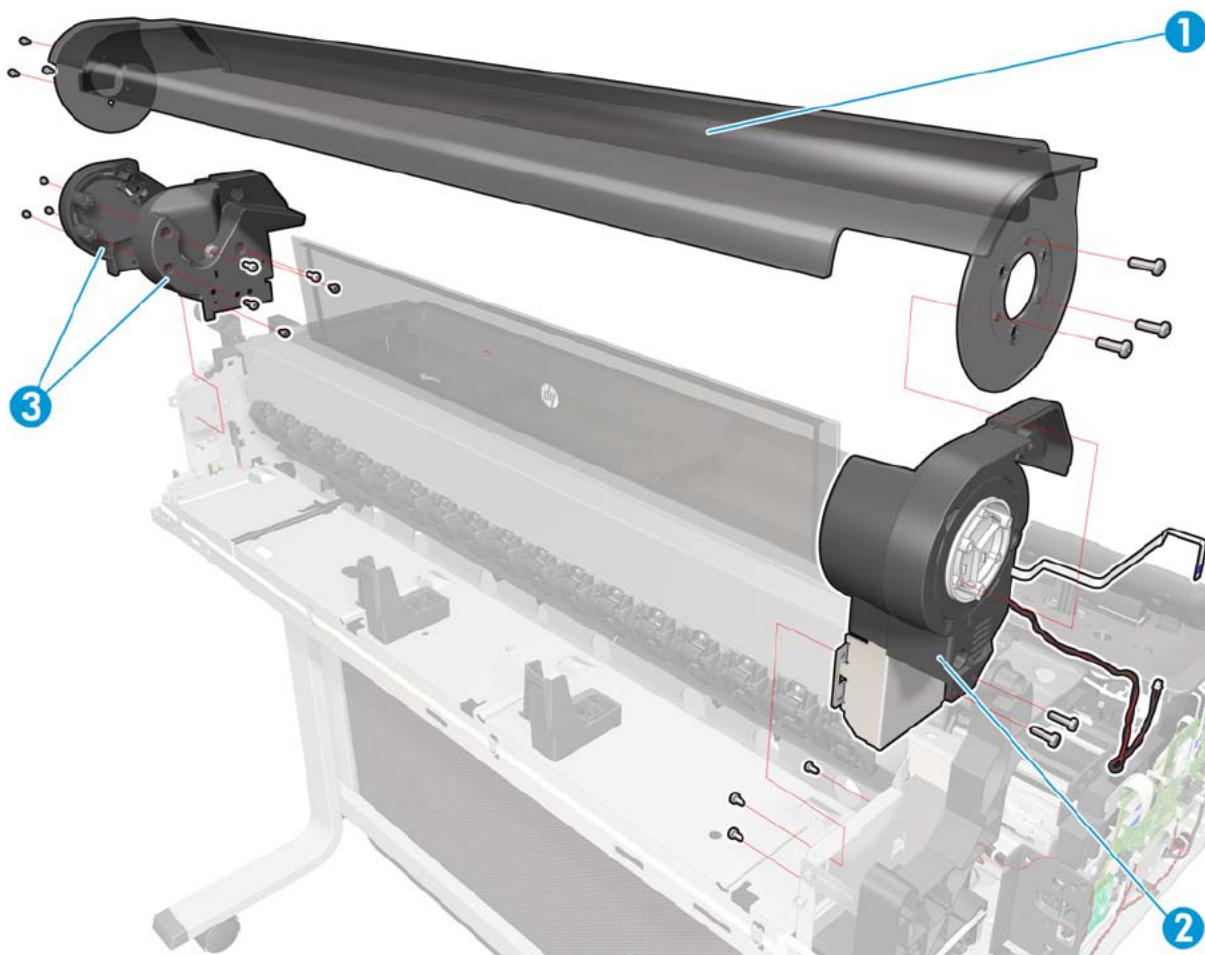
Covers

HP part number	Part description	Removal and installation reference	Comments
1	CQ890-67011 Right Cover	Right Cover on page 153	
2	CQ890-67050 Front Cover (24)	Front Cover on page 150	CSR A; see Front Cover flier on page 353
	CQ894-67001 Front Cover (36)		
3	CQ890-67046 Ink Cartridge Cover	Ink Cartridge Cover on page 156	CSR A; see Ink Cartridge Cover flier on page 354
4	CQ890-67012 Left Cover	Left Cover on page 158	
5	CQ890-67010 Back Cover (24)	Back Cover on page 163	
	CQ893-67002 Back Cover (36)		
6	CQ890-67014 Central Cover (Basic)	Central Cover on page 172	Includes Top Cover and Top Cover Sensor
	CQ891-67008 Central Cover (24-Pro)		
	CQ893-67004 Central Cover (36)		
7	CQ891-67007 Top Cover (Basic)	Top Cover on page 147	Opaque
	CQ890-67009 Top Cover (24-Pro)	also known as Central Window	Transparent
	CQ890-67008 Top Cover (36)		



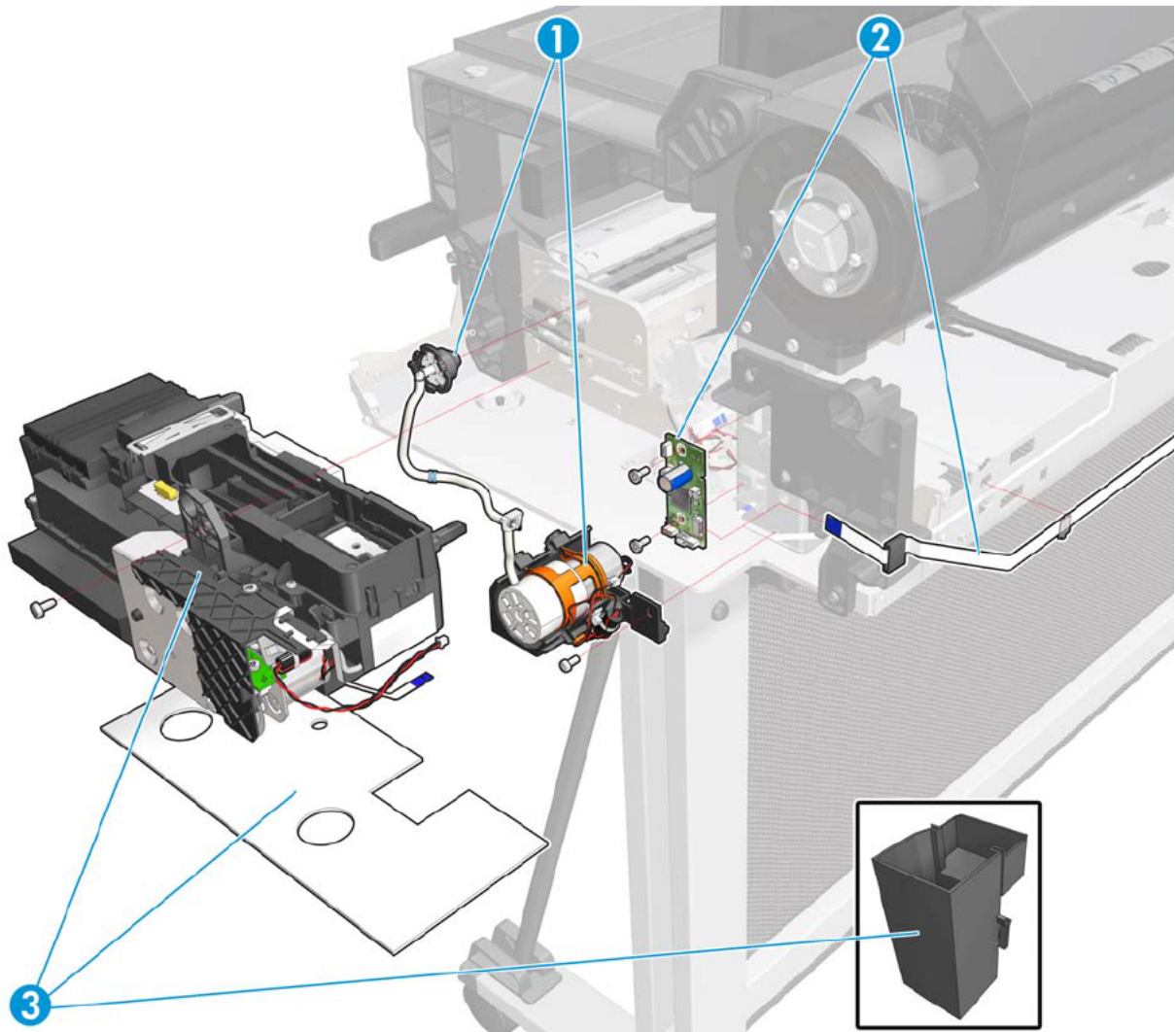
Roll covers

HP part number	Part description	Removal and installation reference	Comments	
1	CQ890-67013	Roll Cover (24-Pro)	Roll Cover on page 160	
	CQ893-67003	Roll Cover (36)		
2	CQ890-67051	Left Roll Support with Rewinder and Cover (Basic)	Left Roll Support on page 180	
	CQ890-67037	Left Roll Support with Rewinder and Cover (Pro)		
3	CQ890-67038	Right Roll Support with Cover and dampers (Pro)	Right Roll Support on page 185	The Basic Right Roll Support does not need dampers because there is no Roll Cover.
	CQ891-67009	Right Roll Support with Cover (Basic)		

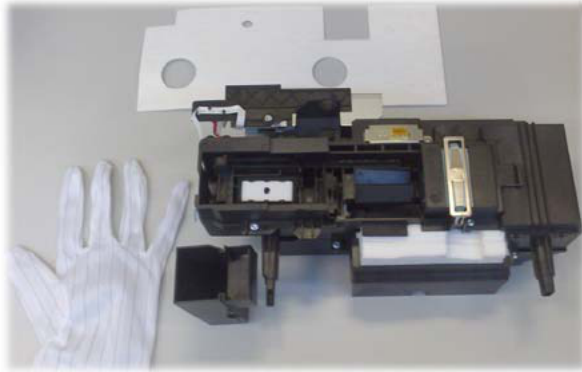


Right-hand assemblies

HP part number	Part description	Removal and installation reference	Comments
1 CQ890-67030	Prime Pump	Prime Pump on page 233	
2 CQ890-67022	Bundle Board	Bundle Board on page 297	Interconnect board
3 CQ890-67045	Service Station Assembly	Service Station on page 227	Includes the Service Station motor, encoder, spittoons, wipers, extra absorber pad (in case of need), extra left spittoon (in case of need), and gloves. The Left Spittoon is available also in a separate kit (see Left-hand assemblies on page 132).

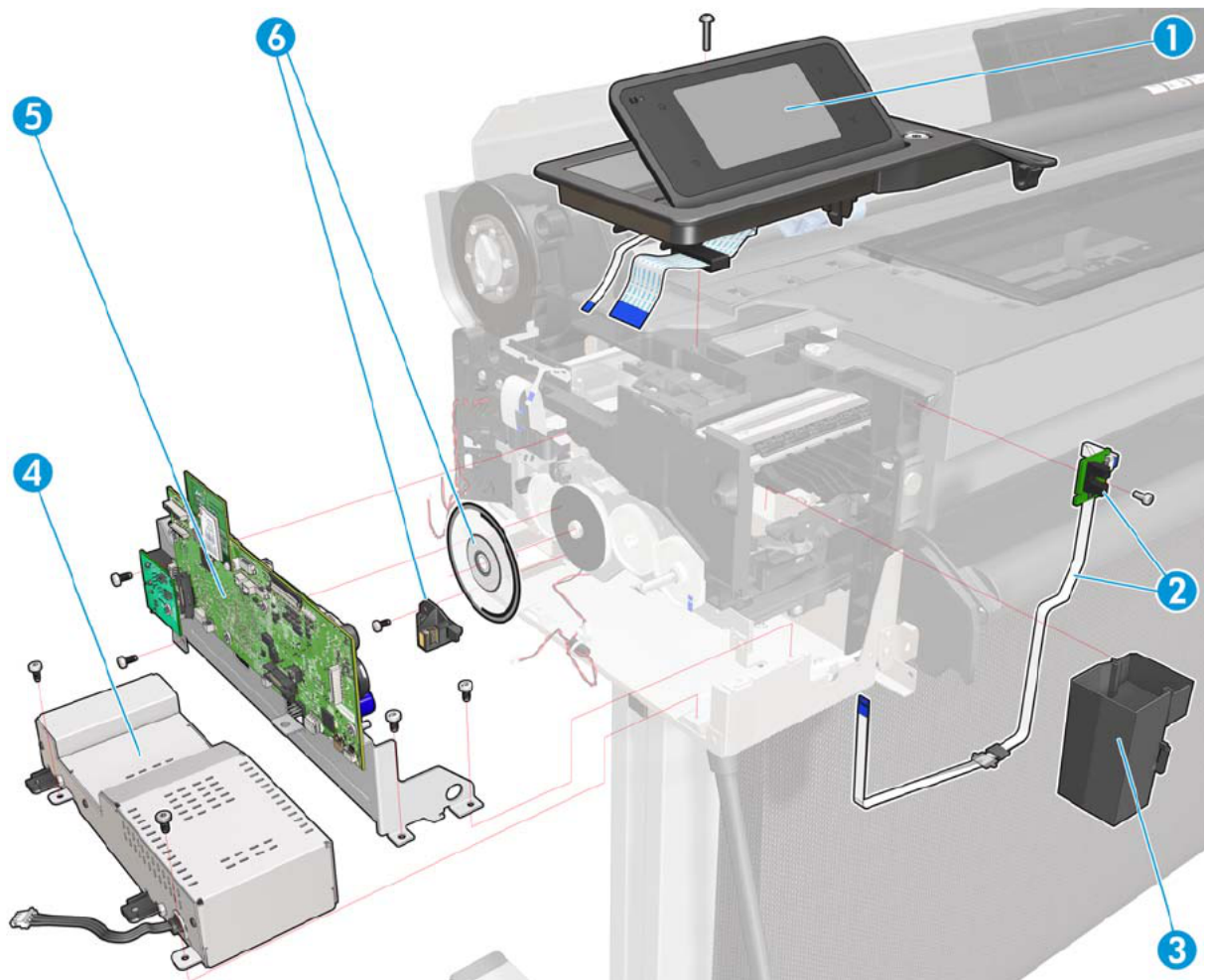


Service Station kit



Left-hand assemblies

HP part number	Part description	Removal and installation reference	Comments
1 CQ890-67026	Front Panel	Front Panel on page 165	Includes Front Panel PCA, Power button, cable, and ribbon cable incorporated and assembled. There is no separate kit for the Power button PCA, always order the full Front Panel module.
2 CQ890-67028	Ink Cartridge Cover Sensor	Ink Cartridge Cover PCA Assembly on page 198	
3 CQ890-67044	Left Spittoon	Left Spittoon on page 310	Includes gloves
4 CQ890-67025	Power Supply SV	Power Supply on page 202	
5	CQ890-67023 Main PCA Pro	Main PCA on page 205	Includes the Wireless PCA
	CQ891-67003 Main PCA Basic		
6 CQ890-67033	Encoder Disk	Encoder Disk on page 217	Includes instruction flier and gloves



Ink Cartridge Cover Sensor kit

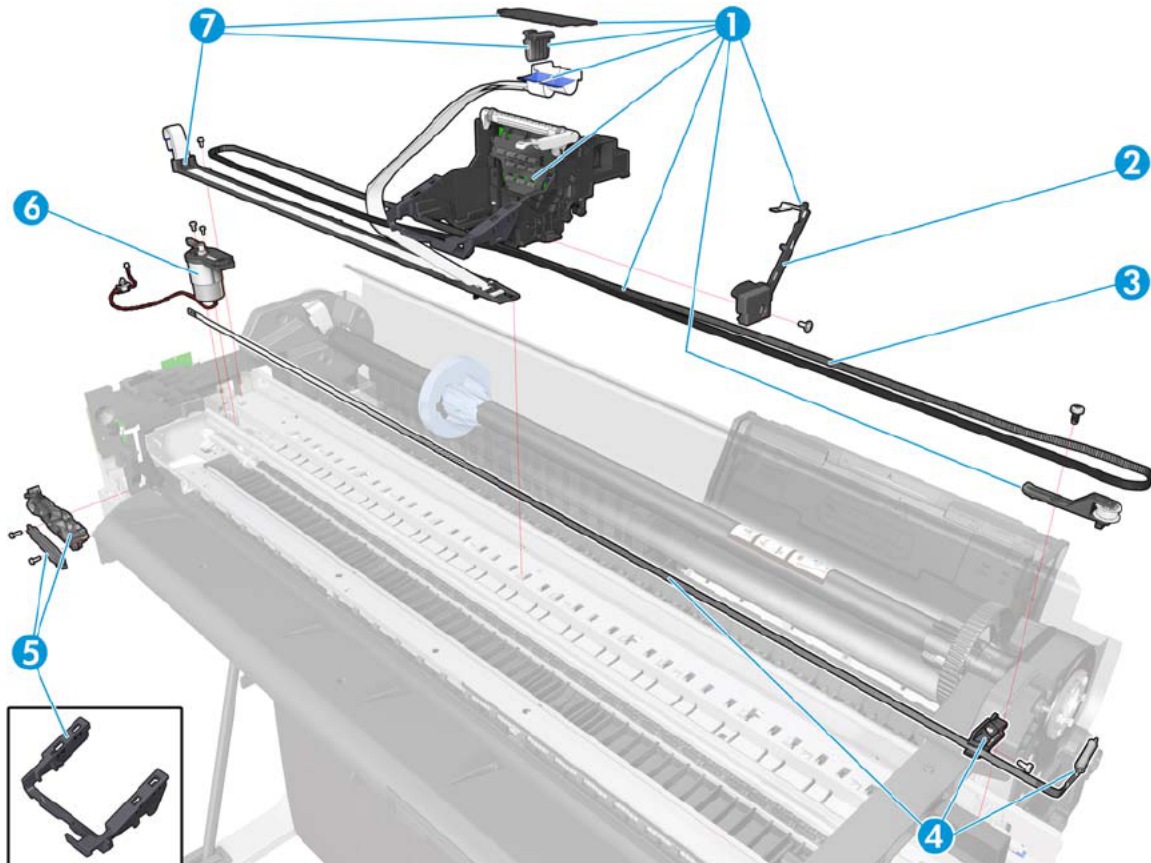


Encoder Disk kit



Carriage assembly

HP part number	Part description	Removal and installation reference	Comments
1	CQ890-67002 Carriage Assembly with Belt (24)	Carriage and Belt on page 236	Includes carriage base, carriage PCA and cover, Carriage Line Sensor, extra Encoder Strip, instruction flier, and gloves
	CQ893-67011 Carriage Assembly with Belt (36)		
2	CQ890-67001 Carriage Line Sensor (ZIM Sensor)	Carriage Line Sensor on page 293	Includes T-6 screwdriver
3	CQ890-67059 Belt (24)	Carriage Belt on page 243	
	CQ893-67016 Belt (36)		
4	CQ890-67003 Encoder Strip (24)	Encoder Strip on page 193	Includes gloves
	CQ890-67004 Encoder Strip (36)		
5	CQ890-67017 Cutter Assembly	Cutter Assembly on page 272	Includes cutter body, cutter extrusion lead (cover), cutter bridge, and instruction flier
6	CQ890-67006 Carriage Motor	Carriage Motor on page 268	Includes instruction flier and gloves
7	CQ890-67005 Trailing Cable (24)	Trailing Cable on page 220	
	CQ893-67001 Trailing Cable (36)		



Carriage Line Sensor kit

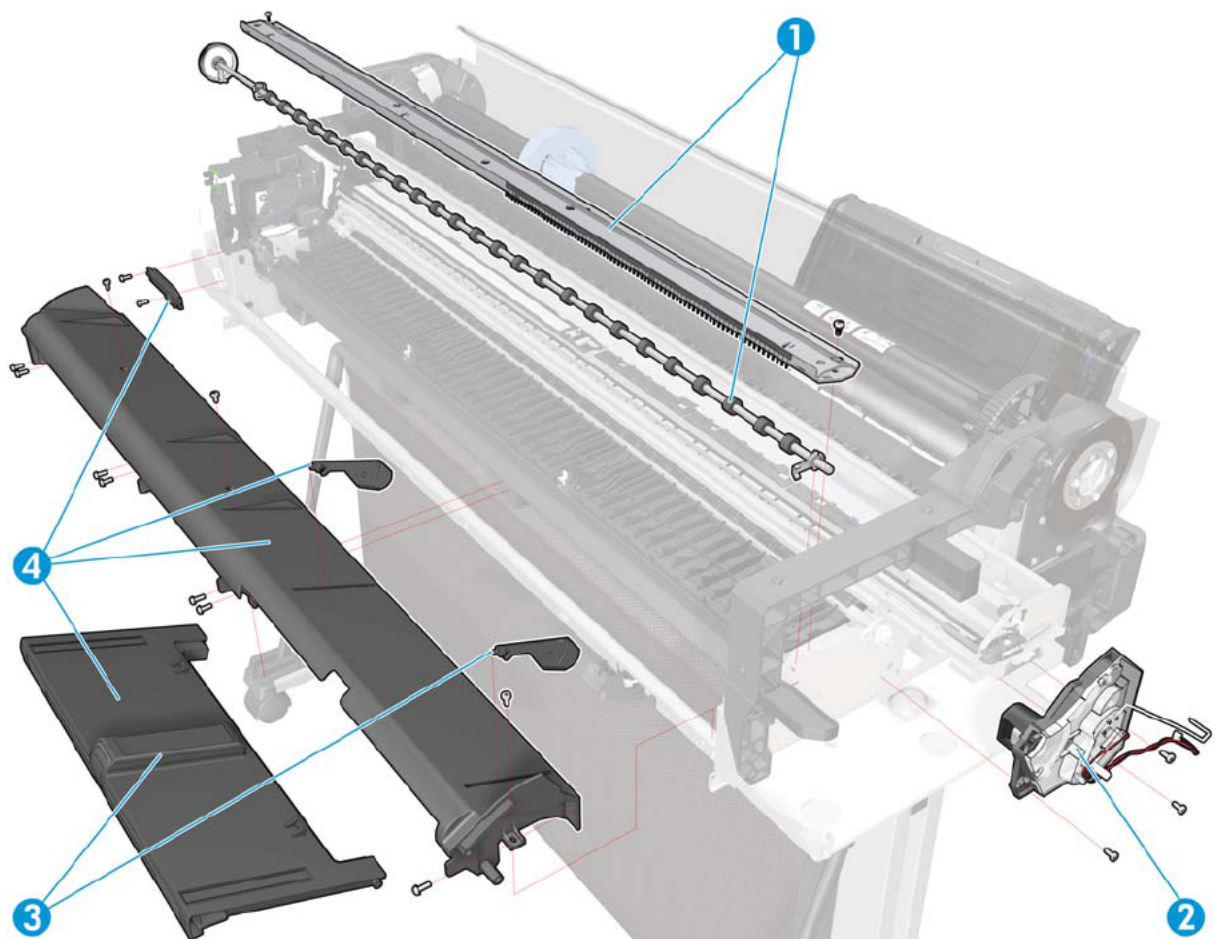


Encoder Strip kit



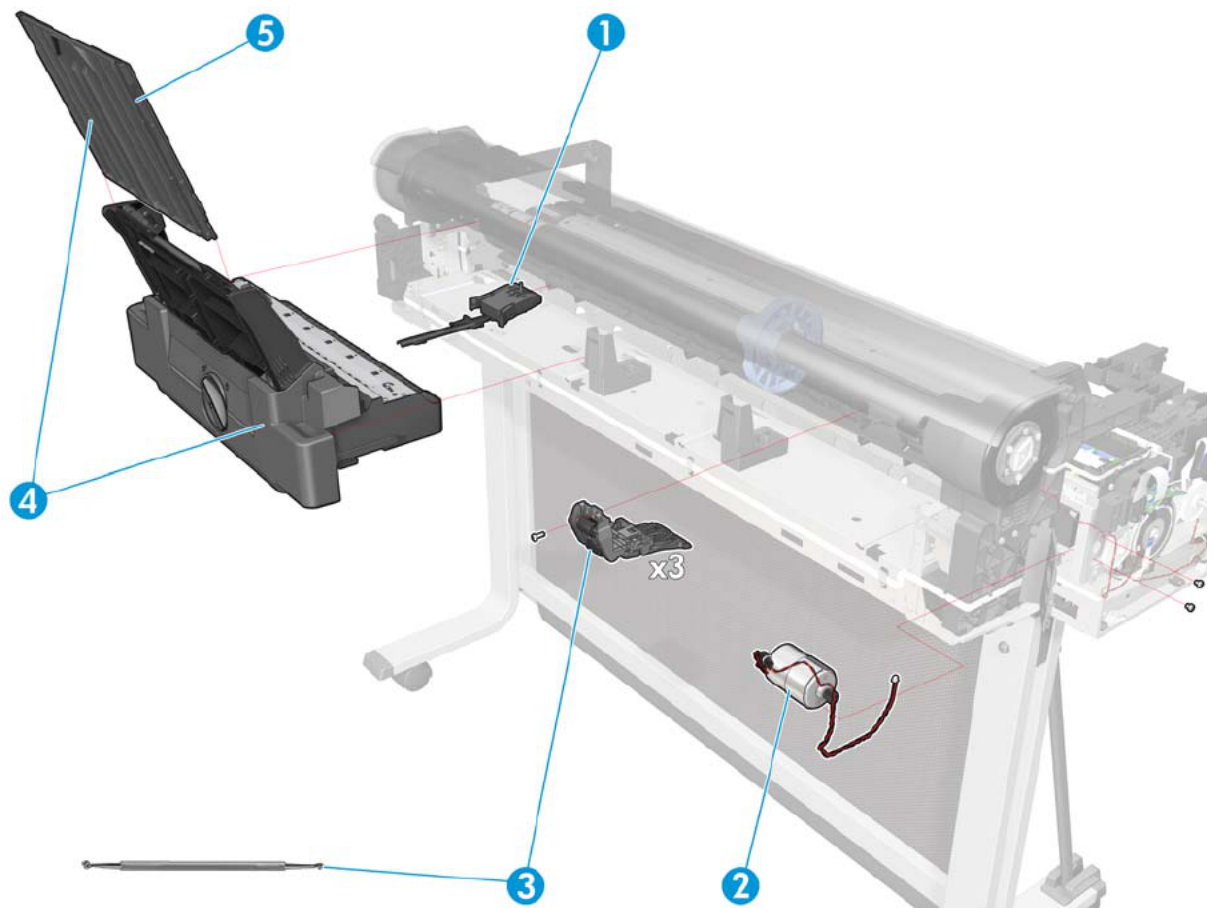
Paper path (front)

HP part number	Part description	Removal and installation reference	Comments
1	CQ890-67034 Starwheel Assembly (24)	Starwheel Assembly on page 247	Includes the Output Shaft and instruction flier
	CQ893-67007 Starwheel Assembly (36)		
2	CQ890-67041 Right Gear Train Module	Right Gear Train Module on page 245	
3	CQ890-67019 Output Tray (Pro)	Output Tray on page 257	
	CQ891-67010 Output Tray (Basic)		
4	CQ891-67011 Output Platen (Basic)	Output Platen on page 263	The cutter rail is not a service part
	CQ890-67018 Output Platen (24-Pro)		
	CQ893-67005 Output Platen (36)		
	CQ893-67018 Output Tray Sensor without cable		CSR B; see Output Tray Sensor flier on page 363



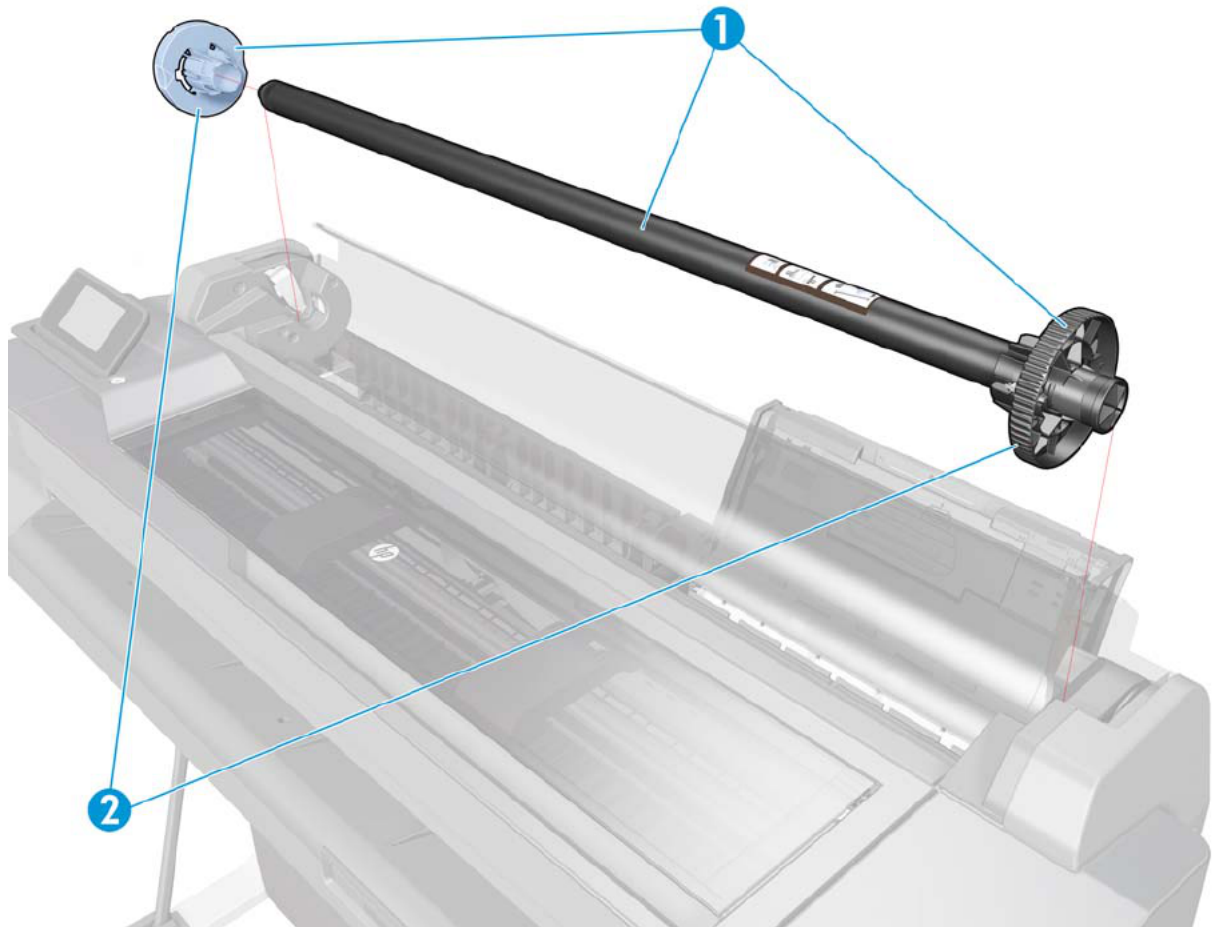
Paper path (rear)

HP part number	Part description	Removal and installation reference	Comments
1	CQ890-67032 Out-Of-Paper Sensor without cable	Out-Of-Paper Sensor on page 281	CSR B; see Out-Of-Paper Sensor flier on page 358
2	CQ890-67036 Paper Motor	Paper Motor on page 211	
3	CQ890-67060 Pinchwheels Assembly	Pinchwheels on page 304	Includes 3 pinchwheels, a tool to remove and mount them, and an instruction flier
4	CQ890-67007 Multi-Sheet Tray module	Multi-Sheet Tray Assembly on page 260	CSR A
5	CQ890-67047 Extension in Multi-Sheet Tray		CSR A; see Multi-Sheet Tray Extension flier on page 356



Roll supports

HP part number	Part description	Removal and installation reference	Comments
1	CQ890-67043 Spindle module (24)	CSR A	
	CQ893-67008 Spindle module (36)		
2	CQ893-67009 Spindle hubs		CSR A



Sensor Kit

HP part number	Part description	Removal and installation reference	Comments
1 CQ890-67020	Sensor Kit	Encoder PCA and Index on page 213 Output Tray Sensor Assembly on page 286 Top Cover Sensor on page 188	Includes Encoder PCA + Index + cable, Output Tray Sensor + cable, and Top Cover Sensor

