

CL-S700

Recommended Spare Parts List

Revision Up List		
Sheet No.	Rev. No.	Date
1/1	0	Dec. 10, 2007

PARTS LIST for CL-S700

TITLE: Recommended Spare Parts List

Sheet No. 1/1
Rev. No. 0

Item No.	Location	Part No.	Part Name	Q'ty/ Unit	Maint. Class		Remarks	@
					Worn	Casual		
1	1-15	JN66801-0	Unit, Power Supply	1		○		
2	2-13	JN09802-0	Unit, Head	1	○			
3	8-9	JN48704-0	SA, Sensor U	1		○	Fixed type	
4	8-24	JN48705-0	SA, Sensor Bottom	1		○	Adjustable type	
5	9-1	JN28801-0	Unit, Roller Platen	1	○			
6	9-39	JN25801-0	Unit, Motor	1	○			
7	9-7	JN48701-0	SA, Sensor U	1		○	Fixed type	
8	9-18	JN48702-0	SA, Sensor Bottom	1		○	Fixed type	
9	14-2	JN66701-0	SA, Main PCB (200)	1		○		
10								
11								
12								
13								
14								
15								
16								
17								
18								
19								
20								
21								

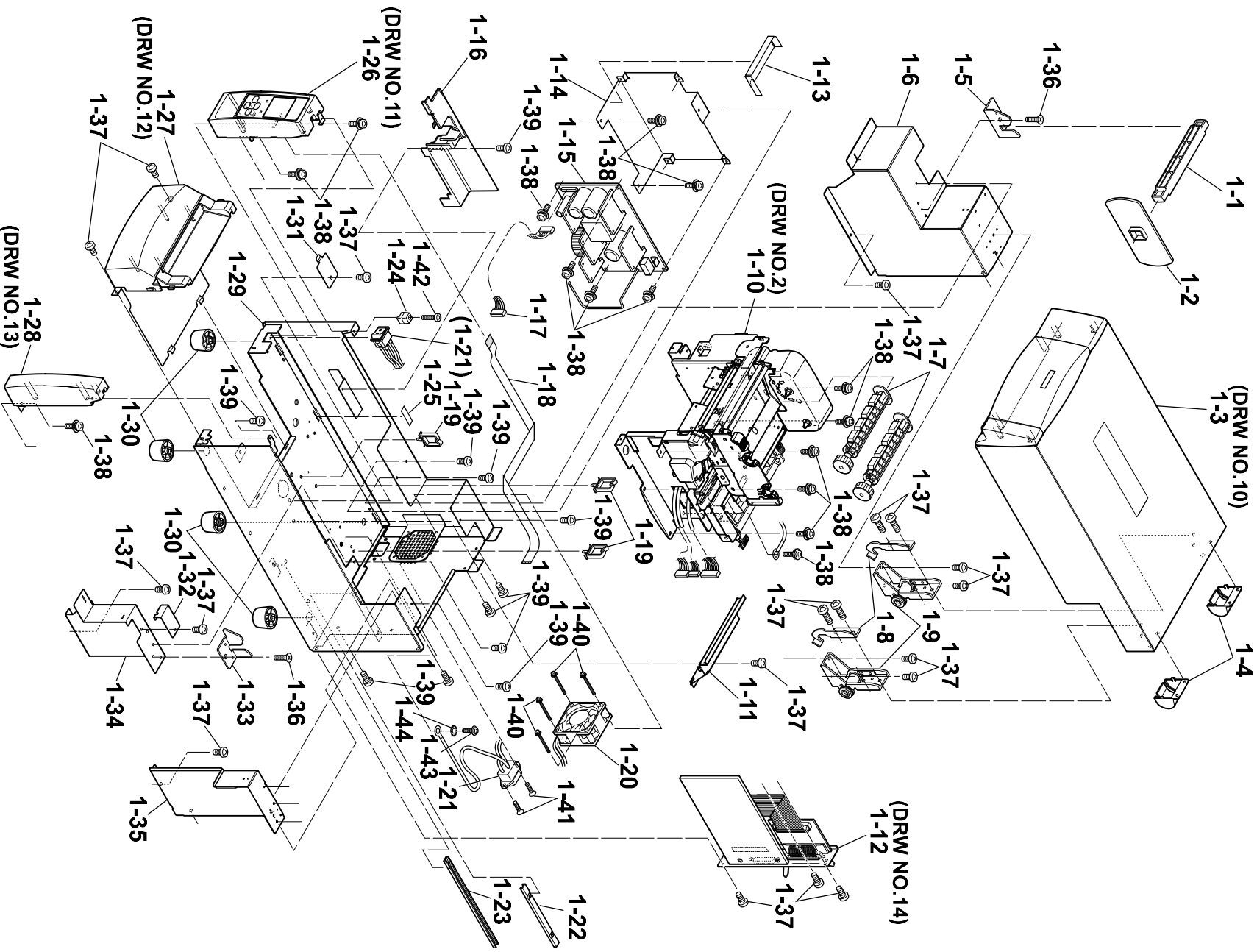
CL-S700

Drawing No. 1

Parts List & Location for General Assembly

Revision Up List		
Sheet No.	Rev. No.	Date
1/3	0	Dec. 10, 2007
2/3	0	Dec. 10, 2007
3/3	0	Dec. 10, 2007

DRAWING NO. 1 General Assembly (Rev. 0)



PARTS LIST for CL-S700

TITLE: General Assembly

Sheet No. 1/3

Drawing No. 1

Rev. No. 0

Location	Part Name	Part No.	Q'ty/ Unit	Remarks	@
1-1	Roll Holder	JE99090-0	1	24600730	
1-2	Flange, Paper Wide	JM79201-0	1		
1-3	Unit, Top Cover	----	1	Ref: See Drawing No. 10	
1-4	Cover, Hinge	JN56209-0	2		
1-5	Holder, Paper Shaft Left	JN56116-0	1		
1-6	SA, Cover Inner Power	JN56704-0	1		
1-7	SA, Ribbon Holder	JM34710-1	2		
1-8	Stopper, Hinge	JN54103-0	2		
1-9	SA, Hinge	JN59905-0	2		
1-10	Unit, Mechanism	JN99801-0	1	Ref: See Drawing No. 2	
1-11	Cover, Inner Paper	JN56112-0	1		
1-12	Unit, PCB	-	1	Ref.: See Drawing No. 14	
1-13	Sheet 1, Power Protect	JN54910-0	1		
1-14	Plate, Power	JN64101-0	1		
1-15	Unit, Power Supply	JN66801-0	1		
1-16	Cover, Cable	JN56201-0	1		
1-17	SA, Power Cable	JN67706-0	1		
1-18	Cable, Ope-pane FFC	JN67901-0	1		
1-19	WS-2NS (Cable, Clamp)	JN59903-0	3		
1-20	SA, Fan	JN65901-0	1		

PARTS LIST for CL-S700

TITLE: General Assembly

Sheet No. 2/3

Drawing No. 1

Rev. No. 0

Location	Part Name	Part No.	Q'ty/ Unit	Remarks	@
1-21	SA, Power SW Cable	JN67709-0	1	Including Inlet	
1-22	Rail, Guide U	JN54906-0	1		
1-23	Rail, Guide Base	JN54907-0	1		
1-24	Guide, Top Cover	JN54202-0	1		
1-25	Sheet, Case L	JN54106-0	1		
1-26	SA, Ope-pane	JN56705-0	1	Ref.: See Drawing No. 11	
1-27	SA, Front Center	JN56708-0	1	Ref.: See Drawing No. 12	
1-28	SA, Front Right	JN56707-0	1	Ref.: See Drawing No. 13	
1-29	SA, Case L	JN56701-0	1		
1-30	Leg, Case	JN56901-0	4		
1-31	Plate, Cable Cover	JN56113-0	1		
1-32	Cover, Sensor Adjust	JN56115-0	1		
1-33	Holder, Paper Shaft Right	JN56117-0	1		
1-34	Cover, Inner PCB Front	JN56110-0	1		
1-35	SA, Cover Inner PCB Rear	JN56713-0	1		
1-36	Screw, FH, M3.0x6	E00230-060F	2		
1-37	Screw, BH, M3.0x5	E00530-050F	19		
1-38	Screw, PH (SW+PW), M3.0x5	E04030-050F	15		
1-39	Screw, BH, M3.0x5K	E00530-050KF	11		
1-40	Screw, PH (SW+PW), M4.0x30	E00940-300F	4		

PARTS LIST for CL-S700

TITLE: General Assembly

Sheet No. 3/3

Drawing No. 1

Rev. No. 0

Location	Part Name	Part No.	Q'ty/ Unit	Remarks	@
1-41	Screw, FH, M3.0x6	E00230-060F	2		
1-42	Screw, PH, M3.0x12	E00130-120F	1		
1-43	Screw, BH (N), M4.0x4	E00540-040WF	1		
1-44	Washer, EXT, T (N), 4	E50740-000WF	1		

CL-S700

Drawing No. 2

Parts List & Location for Unit, Mechanism

Revision Up List		
Sheet No.	Rev. No.	Date
1/2	0	Dec. 10, 2007
2/2	0	Dec. 10, 2007

PARTS LIST for CL-S700

TITLE: Unit, Mechanism

Sheet No. 1/2

Drawing No. 2

Rev. No. 0

Location	Part Name	Part No.	Q'ty/ Unit	Remarks	@
2-1	Bushing	JE99704-0	1	24400670	
2-2	Shaft, Ribbon Guide FF	JN32001-0	1		
2-3	Bushing	JE99705-0	1	24400680	
2-4	SA, Front Tension Arm	JN34704-0	1	Ref.: See Drawing No. 4	
2-5	Unit, Frame Rear	JN44803-0	1	Ref.: See Drawing No. 5	
2-6	Unit, Frame U	JN44802-0	1	Ref.: See Drawing No. 3	
2-7	Spring, Head Up	JN13601-0	1		
2-8	Unit, Head	JN09802-0	1		
2-9	SA, Frame Ribbon R	JN34703-0	1	Ref.: See Drawing No. 6	
2-10	SA, Base Guide Open	JN44712-0	1	Ref.: See Drawing No. 7	
2-11	Ground Brush	JE99438-0	1	33000340	
2-12	Unit, Sensor Adjust	JN44804-0	1	Ref.: See Drawing No. 8	
2-13	Sheet 2, Power Protect	JN54911-0	1		
2-14	Damper	JE99051-0	1	25200890	
2-15	Damper Pin	JE99023-0	1	22601801	
2-16	SA, Head Up SW	JN68704-0	1		
2-17	Clamp, Main Cable	JN59902-0	1		
2-18	Unit, Frame	----	1	Ref.: See Drawing No. 9	
2-19	Unit, Frame Ribbon L	----	1	Not supplied	
2-20	Cover, Ribbon	----	1	Not supplied	

PARTS LIST for CL-S700

TITLE: Unit, Mechanism

Sheet No. 2/2

Drawing No. 2

Rev. No. 0

Location	Part Name	Part No.	Q'ty/ Unit	Remarks	@
2-21	Screw, PH , M3.0x6	E00130-060F	1		
2-22	Screw, PH (SW+PW), M3.0x5	E04030-050F	11		
2-23	Screw, FT, M3.0x6	E00230-060F	2		
2-24	Screw, PH, M4x6	E00140-060F	1		

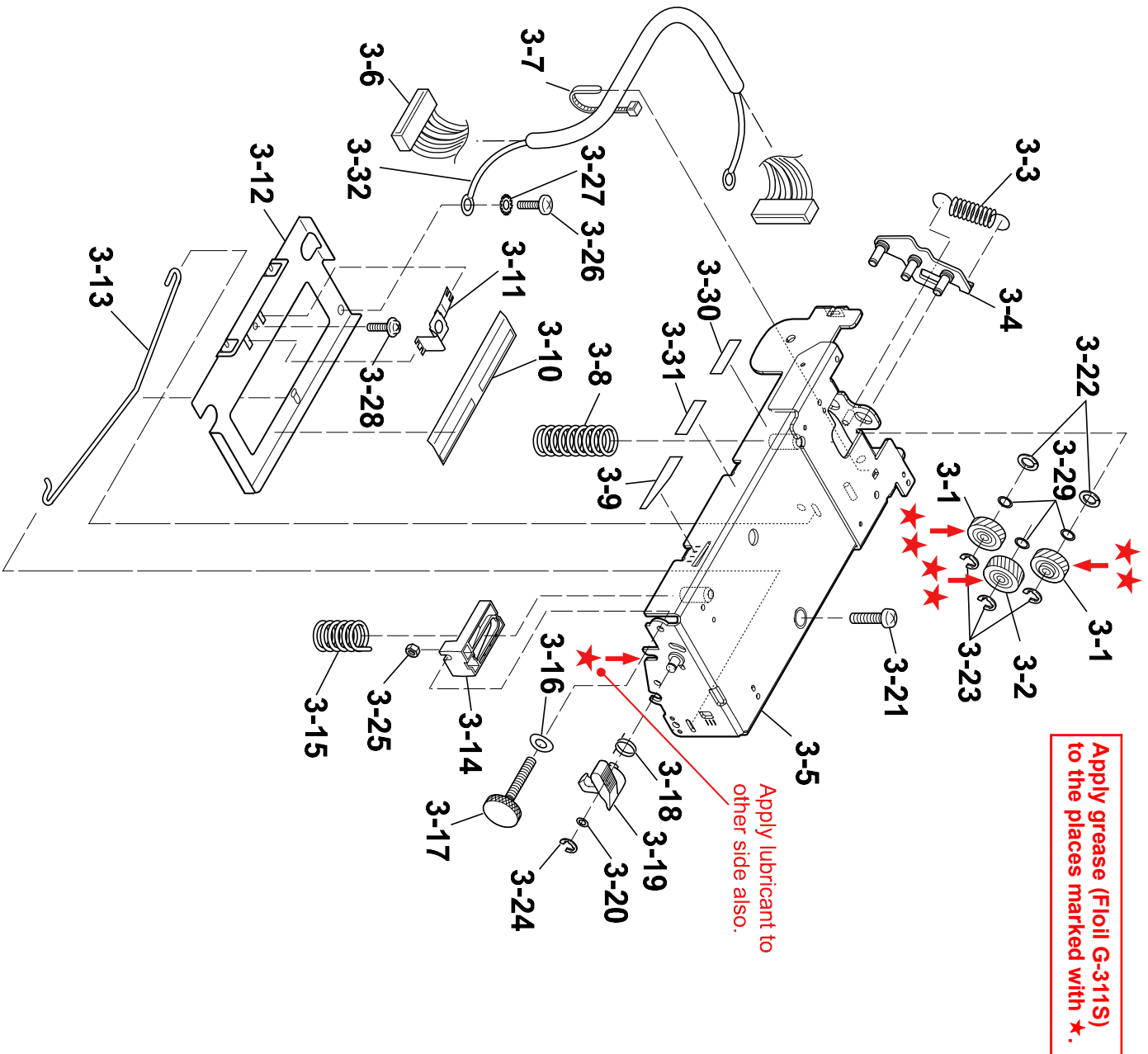
CL-S700

Drawing No. 3

Parts List & Location for Unit, Frame U

Revision Up List		
Sheet No.	Rev. No.	Date
1/2	0	Dec. 10, 2007
2/2	0	Dec. 10, 2007

DRAWING NO. 3 Unit, Frame U (Rev. 0)



PARTS LIST for CL-S700

TITLE: Unit, Frame U

Sheet No. 1/2

Drawing No. 3

Rev. No. 0

Location	Part Name	Part No.	Q'ty/ Unit	Remarks	@
3-1	Idle Gear A Sub Assembly	JE99683-0	2	23205720	
3-2	Idle Gear B Sub Assembly	JE99684-0	1	23205730	
3-3	Gear Plate Spring	JE99651-0	1	21903240	
3-4	SA, Gear Plate	JN29715-0	1		
3-5	SA, Frame U	JN44706-0	1		
3-6	SA, Head Cable	JN67707-0	1		
3-7	Wire Tie	C6701-101#	1		
3-8	Head Pressure Spring L	JE99129-0	1	21902701	
3-9	Head Balance Seal	JE99434-0	1	25201200	
3-10	Sheet, Cover Cable	JN54908-0	1		
3-11	Head Earth Plate	JE99117-0	1	20803381	
3-12	Head Plate	JE99011-0	1	20803370	
3-13	Offset Spring	JE99016-0	1	21902562	
3-14	Slider	JE99048-0	1	25200861	
3-15	Head Pressure Spring R	JE99130-0	1	21902711	
3-16	Curved Washer	JE99065-0	1	90500390	
3-17	Adjust Screw	JE99192-0	1	92100202	
3-18	Open Lever Spring	JE99019-0	1	21902601	
3-19	Lever, Head Up	JN14201-0	1		
3-20	Polyslider Washer	JE99064-0	1	90500380	

PARTS LIST for CL-S700

TITLE: Unit, Frame U
Drawing No. 3Sheet No. 2/2
Rev. No. 0

Location	Part Name	Part No.	Q'ty/ Unit	Remarks	@
3-21	Nyrock Screw	JE99066-0	1	92100220	
3-22	Polyslider 1	JN39902-0	2		
3-23	E-Ring, 3.0	E60330-000F	3		
3-24	E-Ring, 2.0	E60320-000F	1		
3-25	Nut, M3	E40130-000F	1		
3-26	Screw, BH (N), M4.0x4	E00540-040WF	1		
3-27	Washer, EXT, T (N), 4	E50740-000WF	1		
3-28	Screw, PH (TP), M3.0x8	E04230-080F	1		
3-29	Polyslider	JN39901-0	3		
3-30	Label 2, Caution, Head	AH90935-0	1	English	
3-31	Label 7, Caution, Head	AR99902-0	1	For CSA/French	
3-31	Label 6, Caution, Head	AR99901-0	1	For CSE/German	
3-32	SA, Head Earth Cable	JN67712-0	1		

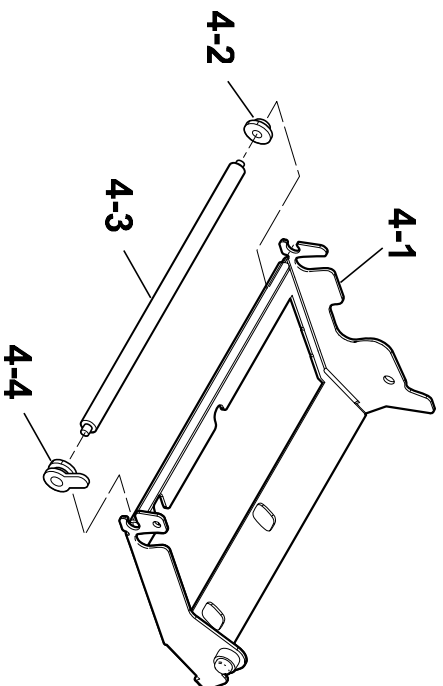
CL-S700

Drawing No. 4

Parts List & Location for SA, Front Tension Arm

Revision Up List		
Sheet No.	Rev. No.	Date
1/1	0	Dec. 10, 2007

DRAWING NO. 4 SA, Front Tension Arm (Rev. 0)



PARTS LIST for CL-S700

TITLE: SA, Front Tension Arm

Sheet No. 1/1

Drawing No. 4

Rev. No. 0

Location	Part Name	Part No.	Q'ty/ Unit	Remarks	@
4-1	SA, Front Tension	JN34701-0	1		
4-2	Bushing	JE99705-0	1	24400680	
4-3	Shaft, Ribbon Guide FM	JN32002-0	1		
4-4	Bushing	JE99704-0	1	24400670	

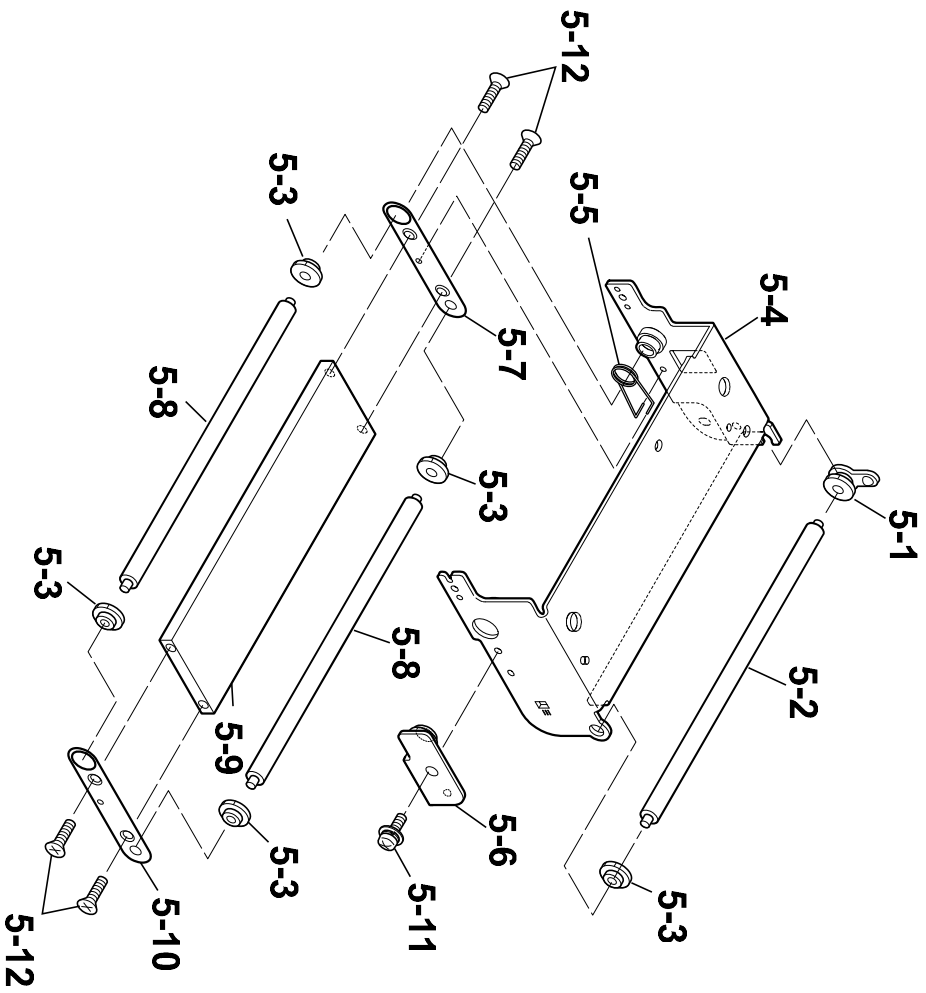
CL-S700

Drawing No. 5

Parts List & Location for Unit, Frame Rear

Revision Up List		
Sheet No.	Rev. No.	Date
1/1	0	Dec. 10, 2007

DRAWING NO. 5 Unit, Frame Rear (Rev. 0)



PARTS LIST for CL-S700

TITLE: Unit, Frame Rear
Drawing No. 5Sheet No. 1/1
Rev. No. 0

Location	Part Name	Part No.	Q'ty/ Unit	Remarks	@
5-1	Bushing	JE99704-0	1	24400670	
5-2	Ribbon Guide Roller E	JE99710-0	1	25100710	
5-3	Bushing	JE99705-0	5	24400680	
5-4	SA, Frame Rear	JN44705-0	1		
5-5	Rear Arm Spring	JE99650-0	1	21903231	
5-6	SA, Plate Stopper Rear	JN44708-0	1		
5-7	Side Plate L	JE99639-0	1	20804850	
5-8	Ribbon Guide Roller C	JE99709-0	2	25100690	
5-9	Beam	JE99667-0	1	23000680	
5-10	Side Plate R	JE99640-0	1	20804860	
5-11	Screw, PH (SW+PW), M3.0x5	E04030-050F	1		
5-12	Screw, FT, M3.0x6	E00230-060F	4		

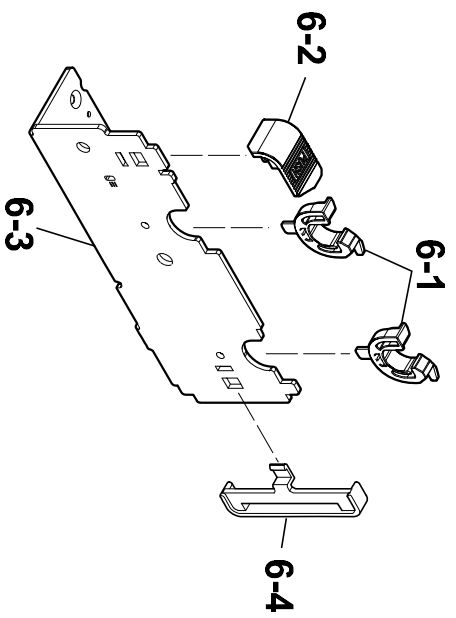
CL-S700

Drawing No. 6

Parts List & Location for SA, Frame Ribbon R

Revision Up List		
Sheet No.	Rev. No.	Date
1/1	0	Dec. 10, 2007

DRAWING NO. 6 SA, Frame Ribbon R (Rev. 0)



PARTS LIST for CL-S700

TITLE: SA, Frame Ribbon R

Sheet No. 1/1

Drawing No. 6

Rev. No. 0

Location	Part Name	Part No.	Q'ty/ Unit	Remarks	@
6-1	Holder, Ribbon Shaft	JN34201-0	2		
6-2	Knob, Ribbon Unit	JN34202-0	1		
6-3	Frame, Ribbon R	JN34104-0	1		
6-4	Plate, Ribbon Frame	JN36202-0	1		

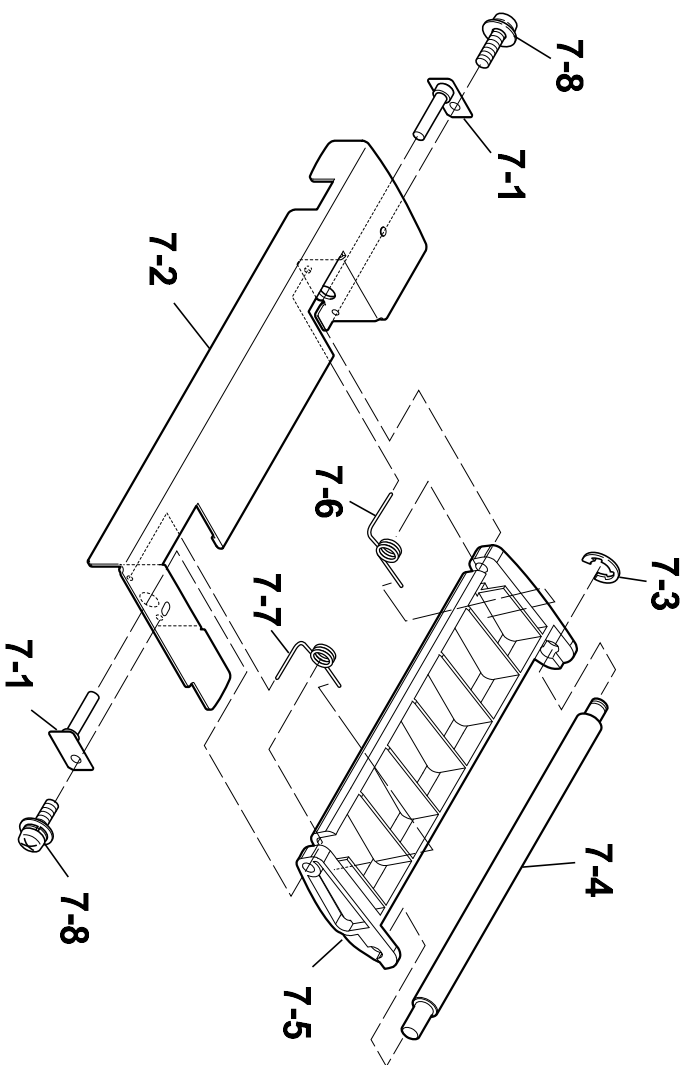
CL-S700

Drawing No. 7

Parts List & Location for SA, Base Guide Open

Revision Up List		
Sheet No.	Rev. No.	Date
1/1	0	Dec. 10, 2007

DRAWING NO. 7 SA, Base Guide Open (Rev. 0)



PARTS LIST for CL-S700

TITLE: SA, Base Guide Open

Sheet No. 1/1

Drawing No. 7

Rev. No. 0

Location	Part Name	Part No.	Q'ty/ Unit	Remarks	@
7-1	SA, Damper Shaft	JN29703-0	2		
7-2	Frame, Damper	JN24105-0	1	Metal	
7-3	E-Ring, 4.0	E60340-000F	1		
7-4	Shaft, Damper	JN22005-0	1		
7-5	Frame, Damper	JN24203-0	1	Plastic	
7-6	Spring, Damper L	JN23603-0	1		
7-7	Spring, Damper R	JN23602-0	1		
7-8	Screw, PH (SW+PW), M3.0x5	E04030-050F	2		

CL-S700

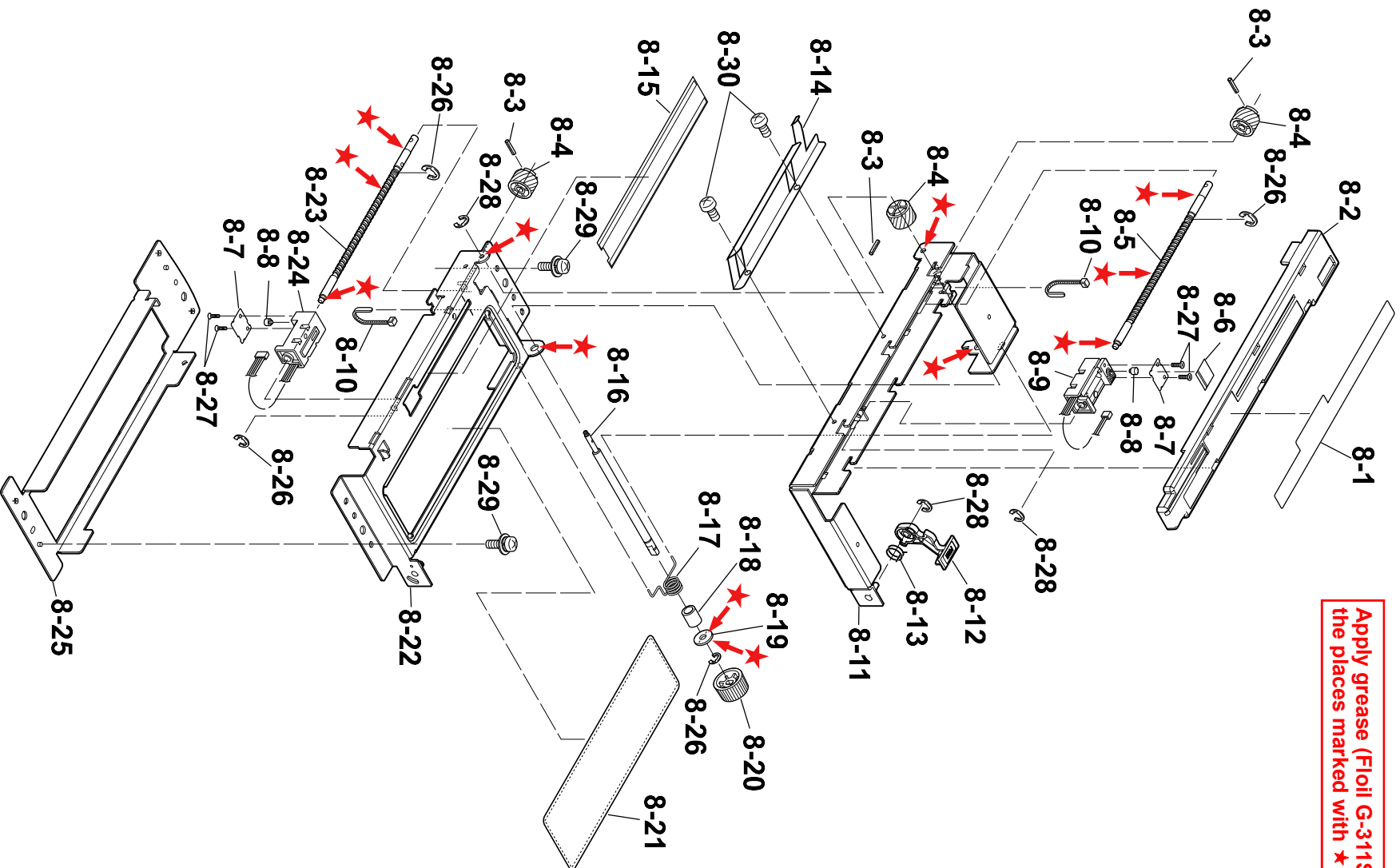
Drawing No. 8

Parts List & Location for Unit, Sensor Adjust

Revision Up List		
Sheet No.	Rev. No.	Date
1/2	0	Dec. 10, 2007
2/2	0	Dec. 10, 2007

DRAWING NO. 8 Unit, Sensor Adjust (Rev. 0)

Apply grease (Flioil G-311S) to the places marked with *.



PARTS LIST for CL-S700

TITLE: Unit, Sensor Adjust

Sheet No. 1/2

Drawing No. 8

Rev. No. 0

Location	Part Name	Part No.	Q'ty/ Unit	Remarks	@
8-1	Open Guide Seal	JE99179-0	1	71104522	
8-2	Cover, Sensor Adjust	JN24208-0	1		
8-3	Pin, Teeth Spring, 1.2x8	E70412-080F	3		
8-4	Screw Gear	JE99279-0	3	24001020	
8-5	Shaft, Screw Sensor U	JN22004-0	1		
8-6	Position Label	JE99281-0	1	71104631	
8-7	Stopper Plate	JE99275-0	2	20803640	
8-8	Move Pin	JA99067-0	2	22601080	
8-9	SA, Sensor U	JN48704-0	1	Adjustable type	
8-10	Wire Tie	C6701-101#	2		
8-11	SA, Open Guide U	JN29702-0	1		
8-12	Open Guide Lever	JN24228-0	1		
8-13	Open Guide Lever Spring	JE99132-0	1	21902730	
8-14	Paper Guide Plate	JE99228-0	1	24600781	
8-15	Sheet, Sensor Adjust	JN54909-0	1		
8-16	Shaft, Sensor Adjust	JN22001-0	1		
8-17	Spring, Guide Sensor Up	JN23601-0	1		
8-18	Bushing 1, Adjust Sensor	JN22009-0	1		
8-19	Bushing 2, Adjust Sensor	JN22010-0	1		
8-20	Knob, Sensor Adjust	JN24201-0	1		

PARTS LIST for CL-S700

TITLE: Unit, Sensor Adjust

Sheet No. 2/2

Drawing No. 8

Rev. No. 0

Location	Part Name	Part No.	Q'ty/ Unit	Remarks	@
8-21	Cover, RFID	JN24204-0	1		
8-22	SA, Open Guide L	JN29705-0	1		
8-23	Shaft, Screw Sensor L	JN22006-0	1		
8-24	SA, Sensor Bottom	JN48705-0	1	Adjustable type	
8-25	Holder, Sensor L	JN24101-0	1		
8-26	E-Ring, 3.0	E60330-000F	4		
8-27	Screw, No.0, FHT (BT#1), M2.0x4	E13220-040F	4		
8-28	E-Ring, 2.0	E60320-000F	3		
8-29	Screw, PH (SW+PW), M3.0x5	E04030-050F	4		
8-30	Screw, PH, M3.0x3	E00130-030F	2		

CL-S700

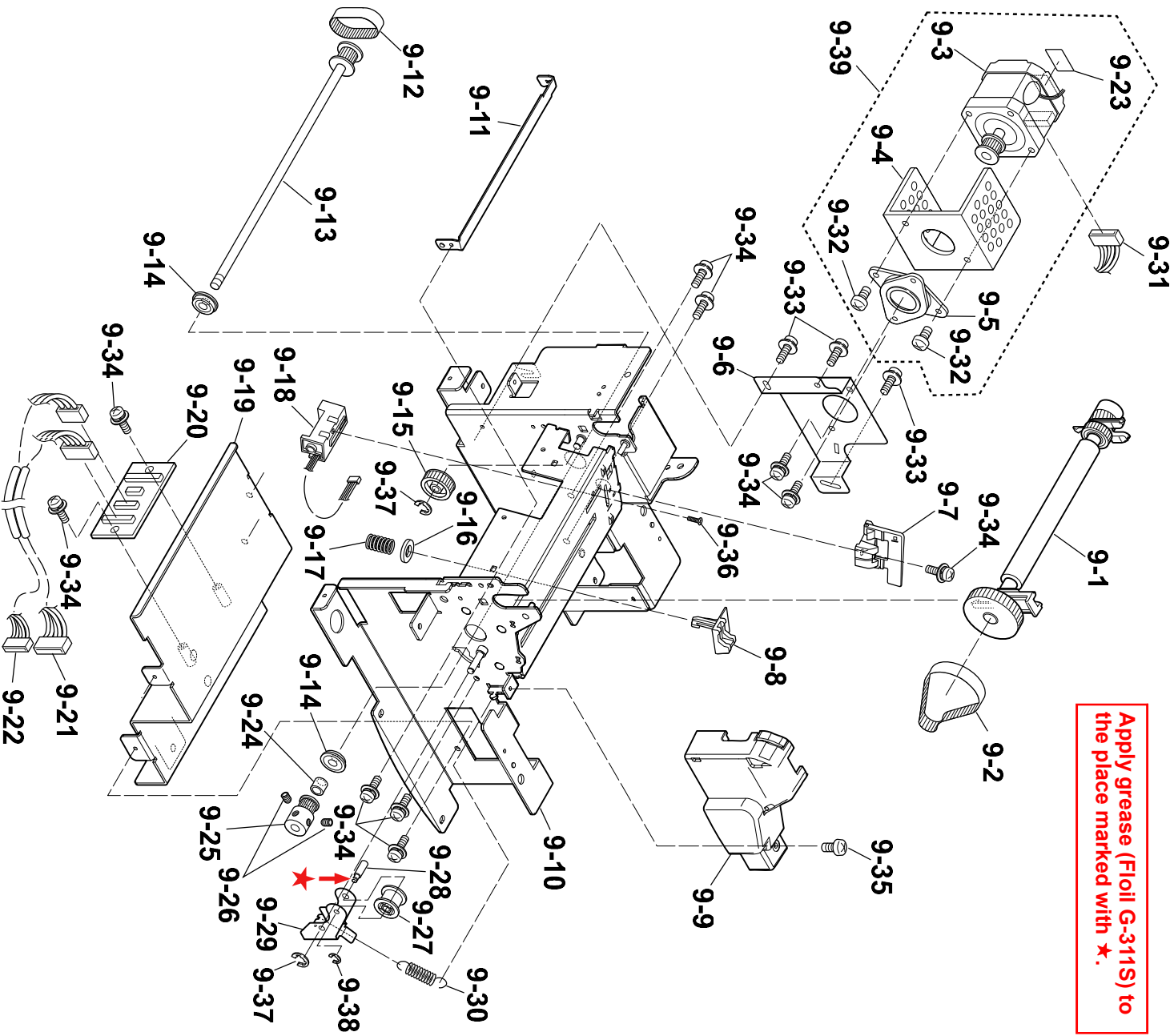
Drawing No. 9

Parts List & Location for Unit, Frame

Revision Up List		
Sheet No.	Rev. No.	Date
1/2	0	Dec. 10, 2007
2/2	0	Dec. 10, 2007

DRAWING NO. 9 Unit, Frame (Rev. 0)

Apply grease (Filoil G-311S) to the place marked with *.



PARTS LIST for CL-S700

TITLE: Unit, Frame

Sheet No. 1/2

Drawing No. 9

Rev. No. 0

Location	Part Name	Part No.	Q'ty/ Unit	Remarks	@
9-1	Unit, Roller Platen	JN28801-0	1		
9-2	Belt, Platen Drive	JN26902-0	1		
9-3	SA, Motor (with thermistor)	----	1	Not supplied	
9-4	Plate, Heat Sink Motor	JN24109-0	1		
9-5	Flange, Motor	----	1	Not supplied	
9-6	Bracket, Motor	JN24108-0	1		
9-7	SA, Sensor U	JN48701-0	1	Fixed type	
9-8	Paper Guide	JE99045-0	1	24600660	
9-9	Cover, Pulley	JN24207-0	1		
9-10	SA, Frame	JN44701-0	1		
9-11	Plate, Peel	JN24107-0	1		
9-12	Belt, Motor Drive	JN26901-0	1		
9-13	SA 1, Drive Shaft	JN22702-0	1		
9-14	Bearing, Drive Shaft	JN21901-0	2		
9-15	Idle Gear Sub Assembly	JE99446-0	1	23204211	
9-16	Friction Cork	JE99037-0	1	24000910	
9-17	Paper Guide Spring	JE99017-0	1	21902571	
9-18	SA, Sensor Bottom	JN48702-0	1	Fixed type	
9-19	SA, Frame Center	JN44707-0	1		
9-20	SA, Connect PCB	JN66725-0	1		

PARTS LIST for CL-S700

TITLE: Unit, Frame

Sheet No. 2/2

Drawing No. 9

Rev. No. 0

Location	Part Name	Part No.	Q'ty/ Unit	Remarks	@
9-21	SA, Option Cable 1	JN67715-0	1		
9-22	SA, Option Cable 2	JN67716-0	1		
9-23	Label 5, Caution Head	AK99925-0	1		
9-24	Bushing, Motor Drive	JN22011-0	1		
9-25	Pulley, Drive Shaft	JN20302-0	1		
9-26	Screw, HSS (KCP), M3.0x5	E30130-050F	2		
9-27	Tension Pulley	JE99154-0	1	2400090	
9-28	Tensioner Pin	JE99136-0	1	22601891	
9-29	Plate, Tension	JN24110-0	1		
9-30	Tension Spring	JE99131-0	1	21902722	
9-31	SA, PF MTR Cable	JN67705-0	1		
9-32	Screw, PH, M3.0x6	E00130-060F	2		
9-33	Screw, PH (SW+PW), M3.0x5	E04030-050F	3		
9-34	Screw, PH (SW+PW), M3.0x6	E04030-060F	10		
9-35	Screw, BH, M3.0x5K	E00530-050KF	1		
9-36	Screw, No.0, FHT (BT#1), M2.0x8	E13220-080F	1		
9-37	E-Ring, 3.0	E60330-000F	2		
9-38	E-Ring, 2.0	E60320-000F	1		
9-39	Unit, Motor	JN25801-0	1		

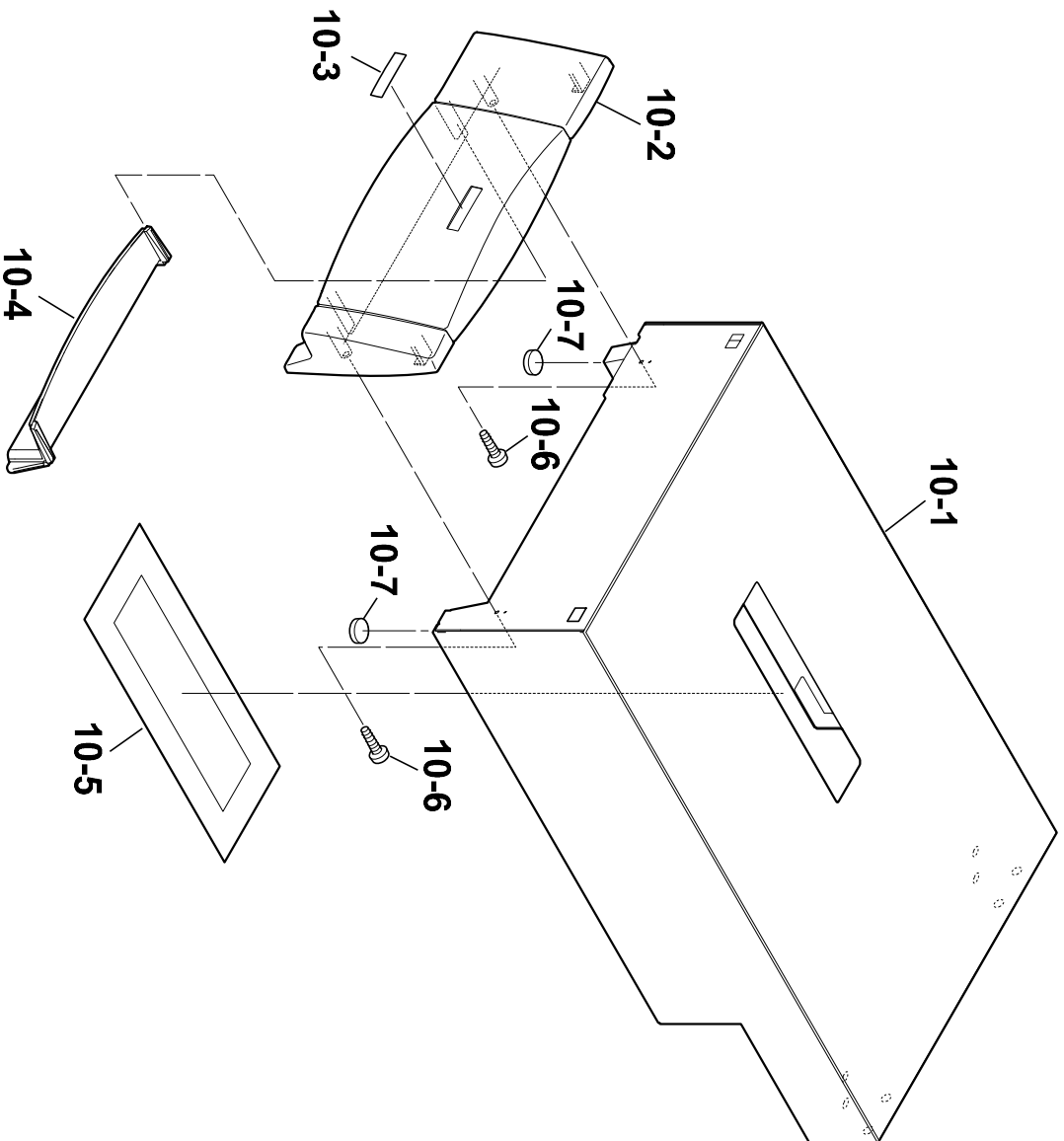
CL-S700

Drawing No. 10

Parts List & Location for Unit, Top Cover

Revision Up List		
Sheet No.	Rev. No.	Date
1/1	0	Dec. 10, 2007

DRAWING NO. 10 Unit, Top Cover (Rev. 0)



PARTS LIST for CL-S700

TITLE: Unit, Top Cover

Sheet No. 1/1

Drawing No. 10

Rev. No. 0

Location	Part Name	Part No.	Q'ty/ Unit	Remarks	@
10-1	SA1, Top Cover	JN56710-0	1		
10-2	Cover, Front Top	JN56207-0	1		
10-3	Logo, CITIZEN	JN54201-0	1		
10-4	Cover, Cutter Blind	JN56208-0	1		
10-5	Cover, Window	JN54101-0	1		
10-6	Screw, PHT (#2), M3.0x6	E10130-060F	2		
10-7	Spacer Leg, Case U	JN56114-0	2		

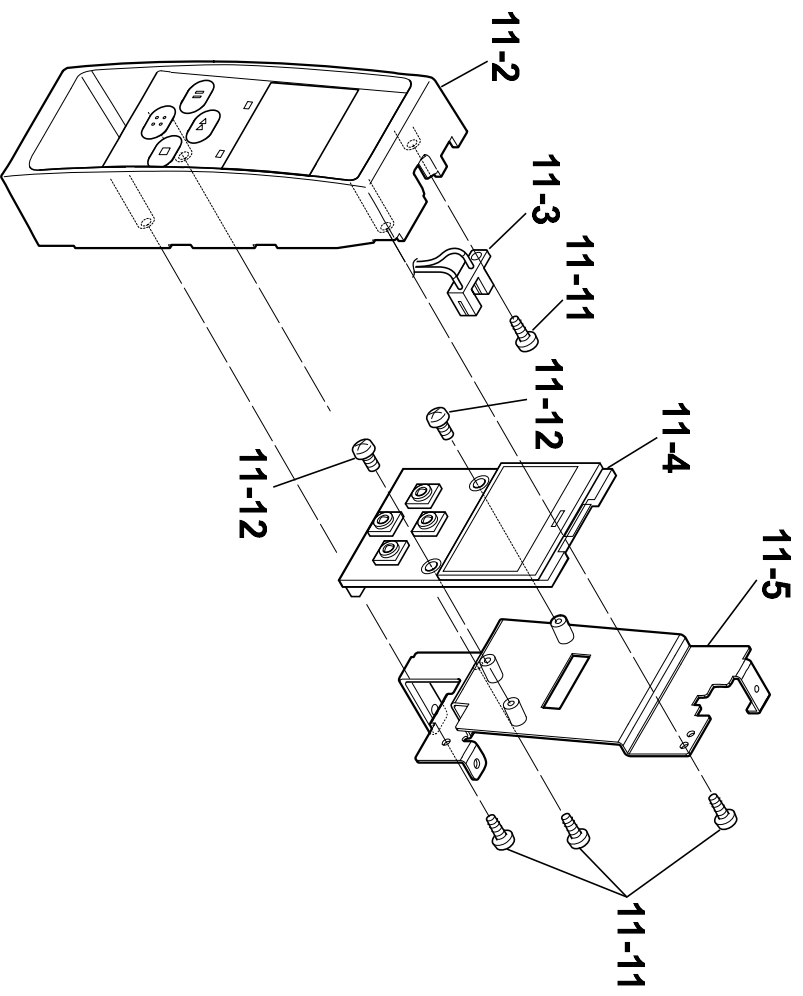
CL-S700

Drawing No. 11

Parts List & Location for SA, Ope-pane

Revision Up List		
Sheet No.	Rev. No.	Date
1/1	0	Dec. 10, 2007

DRAWING NO. 11 SA, Ope-pane (Rev. 0)



PARTS LIST for CL-S700

TITLE: SA, Ope-pane

Sheet No. 1/1

Drawing No. 11

Rev. No. 0

Location	Part Name	Part No.	Q'ty/ Unit	Remarks	@
11-1	Sheet, Ope-Pane	JN54901-0	1		
11-2	Cover, Ope-Pane	JN56202-0	1		
11-3	SA, Cover Open Sens	JN68705-0	1		
11-4	SA, Ope-Pane PCB	JN66704-0	1		
11-5	SA, Ope-Pane Plate	JN56706-0	1		
11-6	Switch, Pause	JN56212-0	1		
11-7	Switch, Feed	JN56211-0	1		
11-8	Switch, Menu	JN56210-0	1		
11-9	Switch, Stop	JN56213-0	1		
11-10	Cover, LCD	JN54102-0	1		
11-11	Screw, PHT (#2), M3.0x6	E10130-060F	4		
11-12	Screw, BH, M3.0x5	E00530-050F	2		

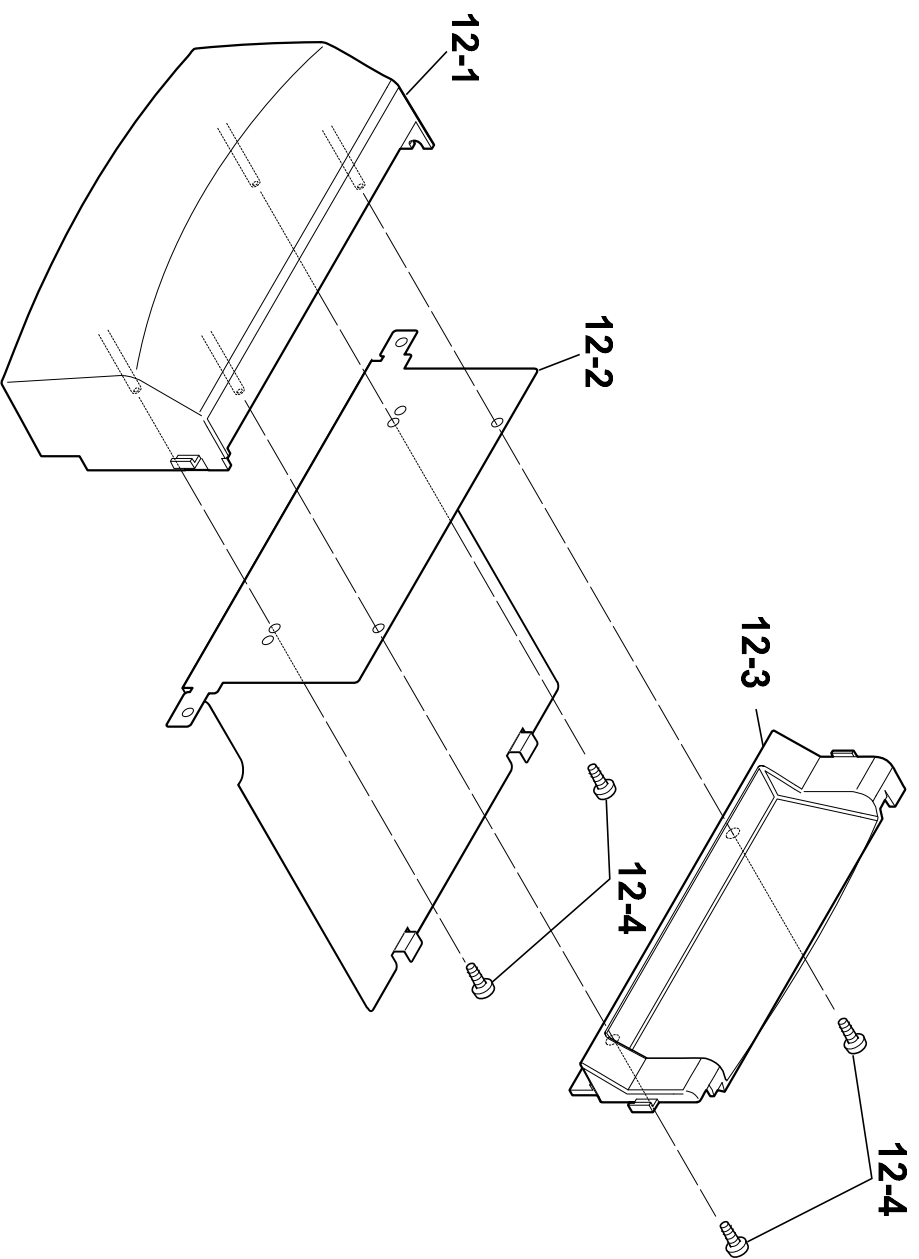
CL-S700

Drawing No. 12

Parts List & Location for SA, Front Center

Revision Up List		
Sheet No.	Rev. No.	Date
1/1	0	Dec. 10, 2007

DRAWING NO. 12 SA, Front Center (Rev. 0)



PARTS LIST for CL-S700

TITLE: SA, Front Center

Sheet No. 1/1

Drawing No. 12

Rev. No. 0

Location	Part Name	Part No.	Q'ty/ Unit	Remarks	@
12-1	Cover, Front Center	JN56204-0	1		
12-2	Plate, Front Cover	JN56121-0	1		
12-3	Cover, Front	JN56205-0	1		
12-4	Screw, PHT (#2), M3.0x6	E10130-060F	4		

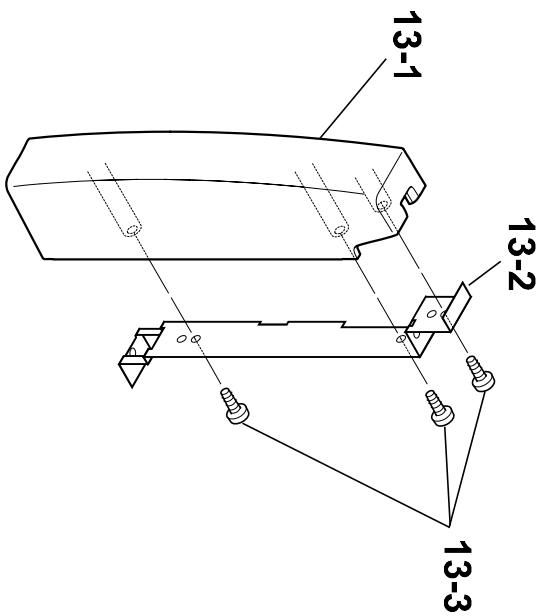
CL-S700

Drawing No. 13

Parts List & Location for SA, Front Right

Revision Up List		
Sheet No.	Rev. No.	Date
1/1	0	Dec. 10, 2007

DRAWING NO. 13 SA, Front Right (Rev. 0)



PARTS LIST for CL-S700

TITLE: SA, Front Right

Sheet No. 1/1

Drawing No. 13

Rev. No. 0

Location	Part Name	Part No.	Q'ty/ Unit	Remarks	@
13-1	Cover, Front Right	JN56203-0	1		
13-2	Plate, Front Right	JN56120-0	1		
13-3	Screw, PHT (#2), M3.0x6	E10130-060F	3		

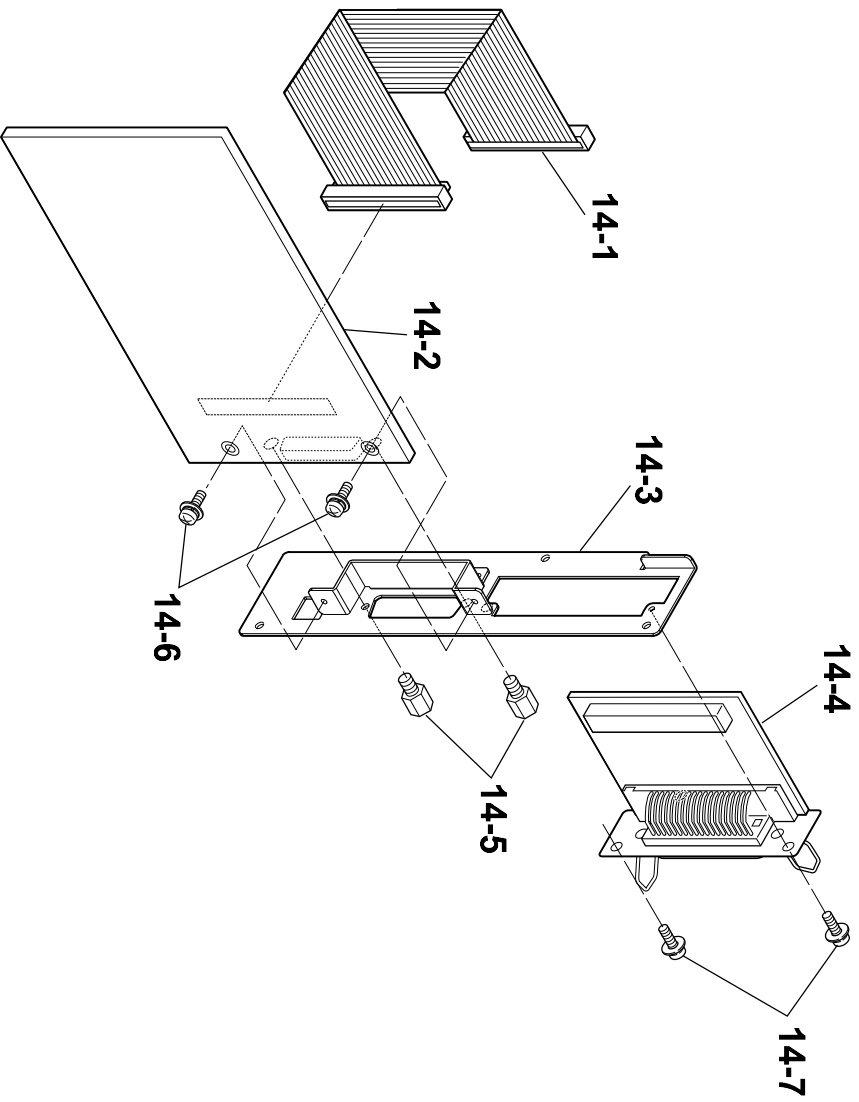
CL-S700

Drawing No. 14

Parts List & Location for Unit, PCB

Revision Up List		
Sheet No.	Rev. No.	Date
1/1	0	Dec. 10, 2007

DRAWING NO. 14 Unit, PCB (Rev. 0)



PARTS LIST for CL-S700

TITLE: Unit, PCB

Sheet No. 1/1

Drawing No. 14

Rev. No. 0

Location	Part Name	Part No.	Q'ty/ Unit	Remarks	@
14-1	SA, Centro Cable	JN67708-0	1		
14-2	SA, Main PCB (200)	JN66701-0	1		
14-3	SA, Holder I/F	JN56711-0	1		
14-4	Unit, Centro PCB	JM66825-1	1		
14-5	Lock Screw (Inch)	C6390-054#	2		
14-6	Screw, PH (SW+PW), M3.0x5	E04030-050F	2		
14-7	Screw, BH, M3.0x5	E00530-050F	2		

CL-S700

Drawing No. -

Parts List & Location for Accessories

Revision Up List		
Sheet No.	Rev. No.	Date
1/1	0	Dec. 10, 2007

PARTS LIST for CL-S700

TITLE: Accessories

Sheet No. 1/1

Drawing No. -

Rev. No. 0

Location	Part Name	Part No.	Q'ty/ Unit	Remarks	@
-	Cord Set (UI/CSA)	C6009-000#	1	For CSA	
-	Cord Set (OE Straight)	C6009-200#	1	For CSE	
-	Cord Set (UK)	C6009-300#	1	For CSE	
-	CD-ROM, User's Manual	JN749**	1	to be revised without notice	
-	Guide, Quick Start	JN749**	1	to be revised without notice	
-	Head, Cleaner	JM79904-0	1		
-	Label, Paper RPR	JN79901-0	1		
-	Thermal, Roll Paper	JM79907-0	1	For CSA	
-	Ribbon (B110A) 35*114	JM39901-0	1		
-	Ribbon Core 25*114	JM39902-0	1		