

# PARTS CATALOG

## imageRUNNER 2425i/2425 (CEL)

### <PREFACE>

This Parts Catalog contains listings of parts used. Diagrams are provided with the listings to aid the service technician in identifying clearly, the item to be ordered.

Whenever ordering parts, consult this Parts Catalog for all of the information pertaining to each item. Be sure to include, in the Parts Request, the full item description, the item part number, and the quantity.

The Canon logo is displayed in a bold, black, sans-serif font. The letter 'C' is significantly larger and more stylized than the other letters, which are in a standard weight. The logo is centered horizontally on the page.

## Index

SNL	Product Code No. /Serial No.
A1A	ASSEMBLY LOCATION DIAGRAM (ADF model)
A1B	ASSEMBLY LOCATION DIAGRAM (COPYBOARD model)
A2	OPTION PARTS CATALOG LIST
001A	ACCESSORIES
100A	EXTERNAL COVERS, PANELS, ETC. (iR 2425i)
100B	EXTERNAL COVERS, PANELS, ETC. (iR 2425)
101A	INTERNAL COMPONENTS 1
102	INTERNAL COMPONENTS 2
103	INTERNAL COMPONENTS 3
104A	INTERNAL COMPONENTS 4 (230V)
110	LEFT DOOR ASSEMBLY
130A	CONTROL PANEL ASSEMBLY
250	MAIN DRIVE ASSEMBLY
300	CASSETTE ASSEMBLY
310A	CASSETTE FEEDER ASSEMBLY
311	PAPER PICK-UP ASSEMBLY
312	MULTI FEED ASSEMBLY
315	MULTI FEED TRAY ASSEMBLY
330	TRANSFER MOUNT ASSEMBLY
350	PAPER DELIVERY ASSEMBLY
400A	READER ASSEMBLY
460	LASER SCANNER UNIT
640A	DEVELOPING ASSEMBLY
810A	FIXING ASSEMBLY
900	CONTROLLER PCB ASSEMBLY
930	H. V. TRANSFER PCB ASSEMBLY
B01	ADF MOUNTING ASSEMBLY (ADF model)
B10	INTERNAL COMPONENTS (ADF model)
B11	BASE ASSEMBLY (ADF model)
B12A	OPEN/CLOSE COVER ASSEMBLY (ADF model)
B13	DOCUMENT TRAY ASSEMBLY (ADF model)
B41	PAPER FEEDER ASSEMBLY (ADF model)
D10	COPYBOARD COVER ASSEMBLY (COPYBOARD model)
M20	DUPLEX FEEDER ASSEMBLY
ZZA	MECHANICAL STANDARD PARTS (HOW TO USE)
ZZB	MECHANICAL STANDARD PARTS (SCREWS)
ZZC	MECHANICAL STANDARD PARTS (BOLTS)
ZZD	MECHANICAL STANDARD PARTS (NUTS)
ZZE	MECHANICAL STANDARD PARTS (RETAINING RINGS)

## Figure SNL Product Code No./Serial No.

	Product Code No.	Model Name	Remarks	Serial No.
1	F17-8593-000	imageRUNNER 2425i	ADF model	28J
2	F17-8592-000	imageRUNNER 2425	COPYBOARD model	28H

	中オーダー	製品名	備考	シリアル No.
1	F17-8593-000	imageRUNNER 2425i	ADF model	28J
2	F17-8592-000	imageRUNNER 2425	COPYBOARD model	28H

FIGURE & KEY NO.	PART NUMBER	RANK	QTY	DESCRIPTION	SERIAL NUMBER /REMARKS
SNL	NPN		RF	Product Code No./Serial No.	
1	F17-8593-000		1	imageRUNNER 2425i	28J ADF model
2	F17-8592-000		1	imageRUNNER 2425	28H COPYBOARD model



Figure A1A (1/4) ASSEMBLY LOCATION DIAGRAM (ADF model)

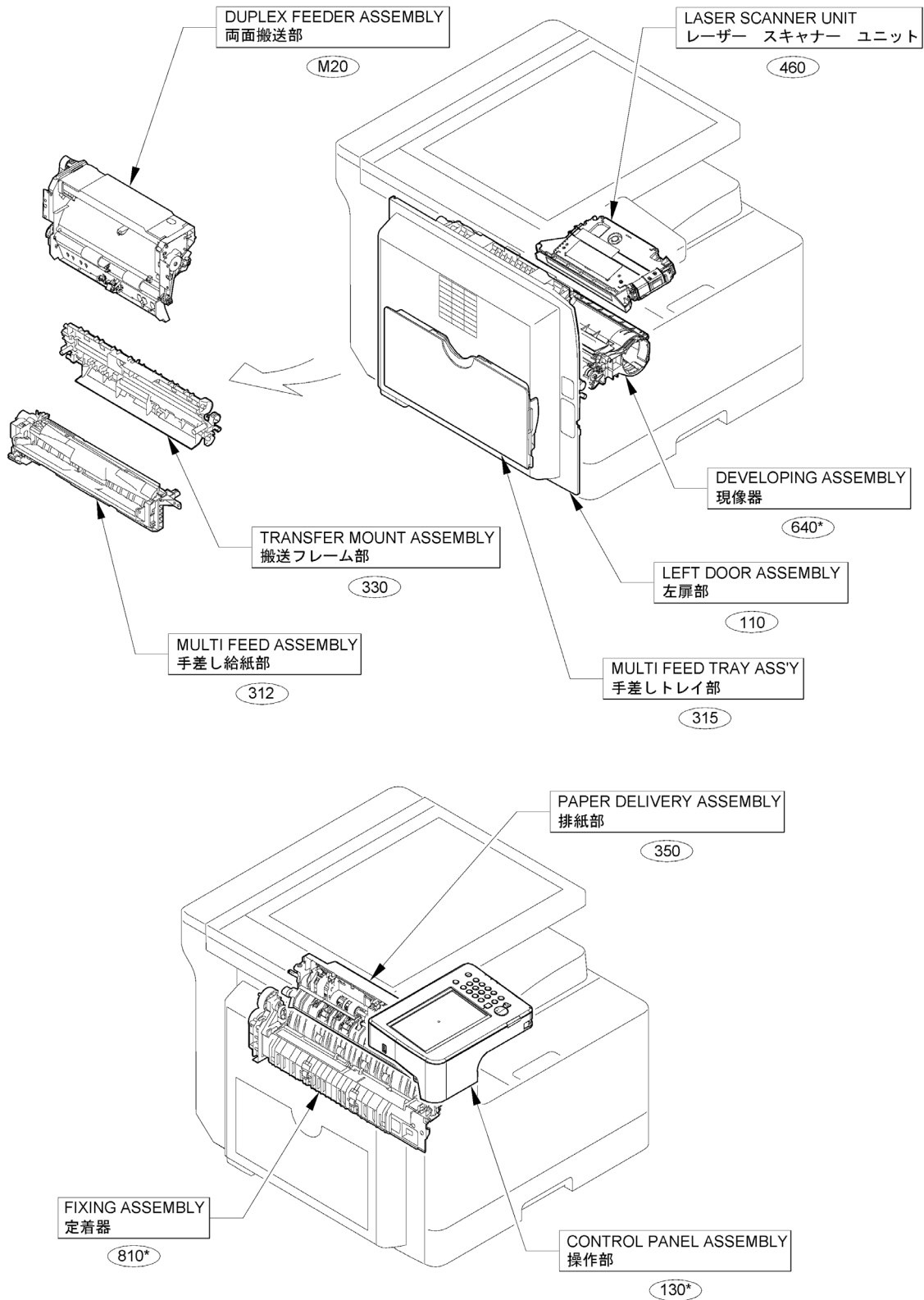


Figure A1A (2/4) ASSEMBLY LOCATION DIAGRAM (ADF model)

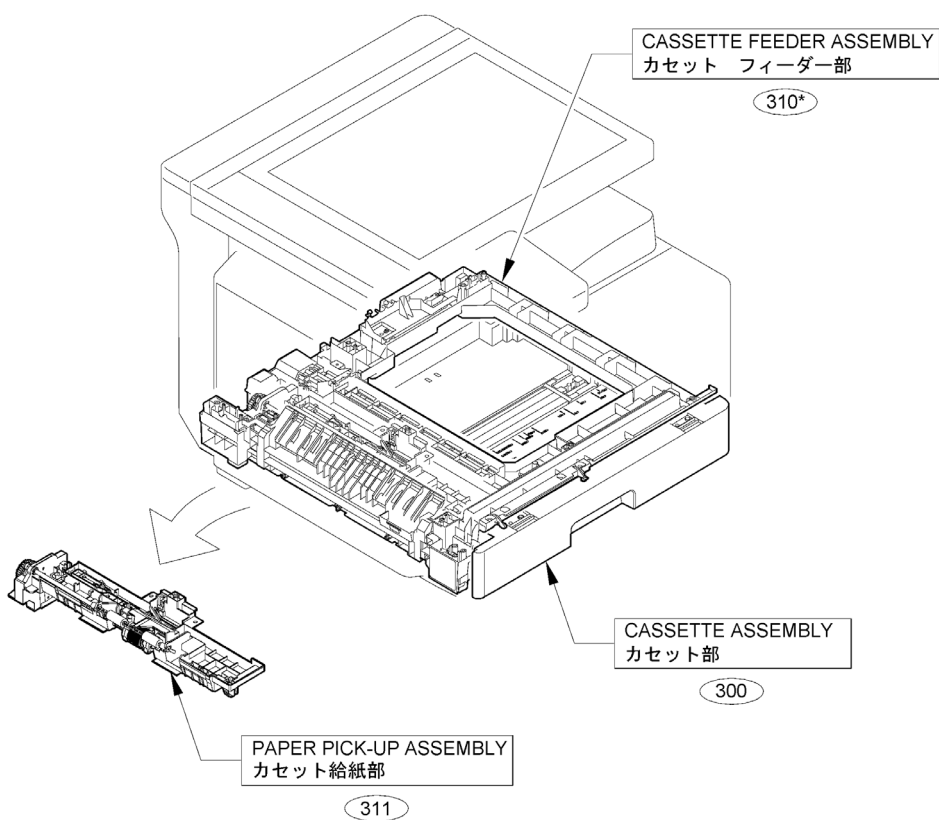


Figure A1A (3/4) ASSEMBLY LOCATION DIAGRAM (ADF model)

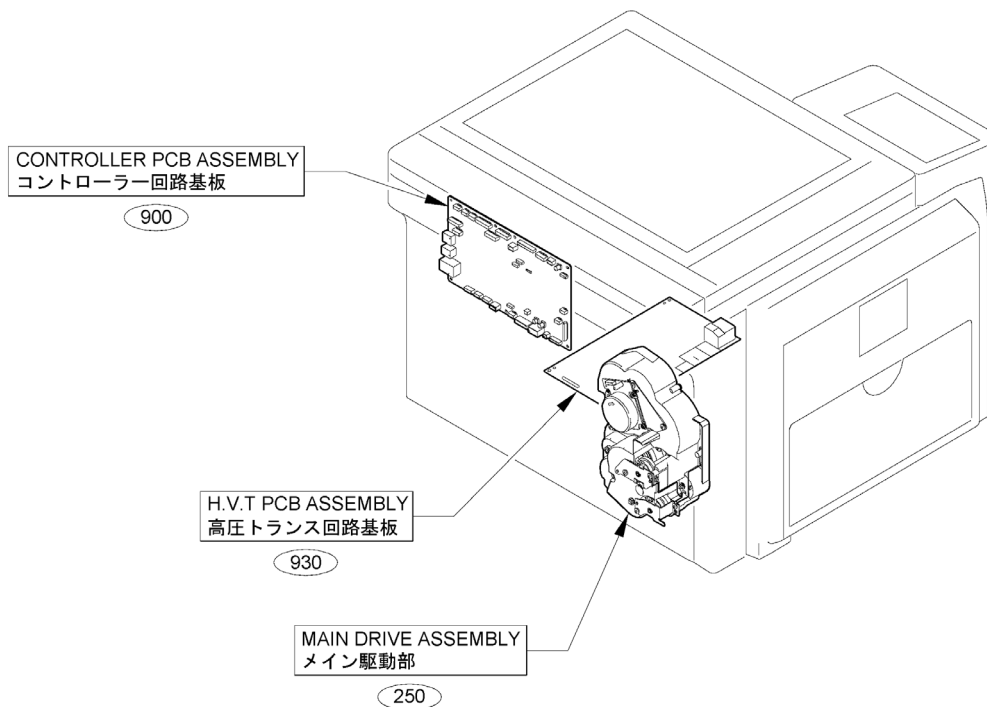


Figure A1A (4/4) ASSEMBLY LOCATION DIAGRAM (ADF model)

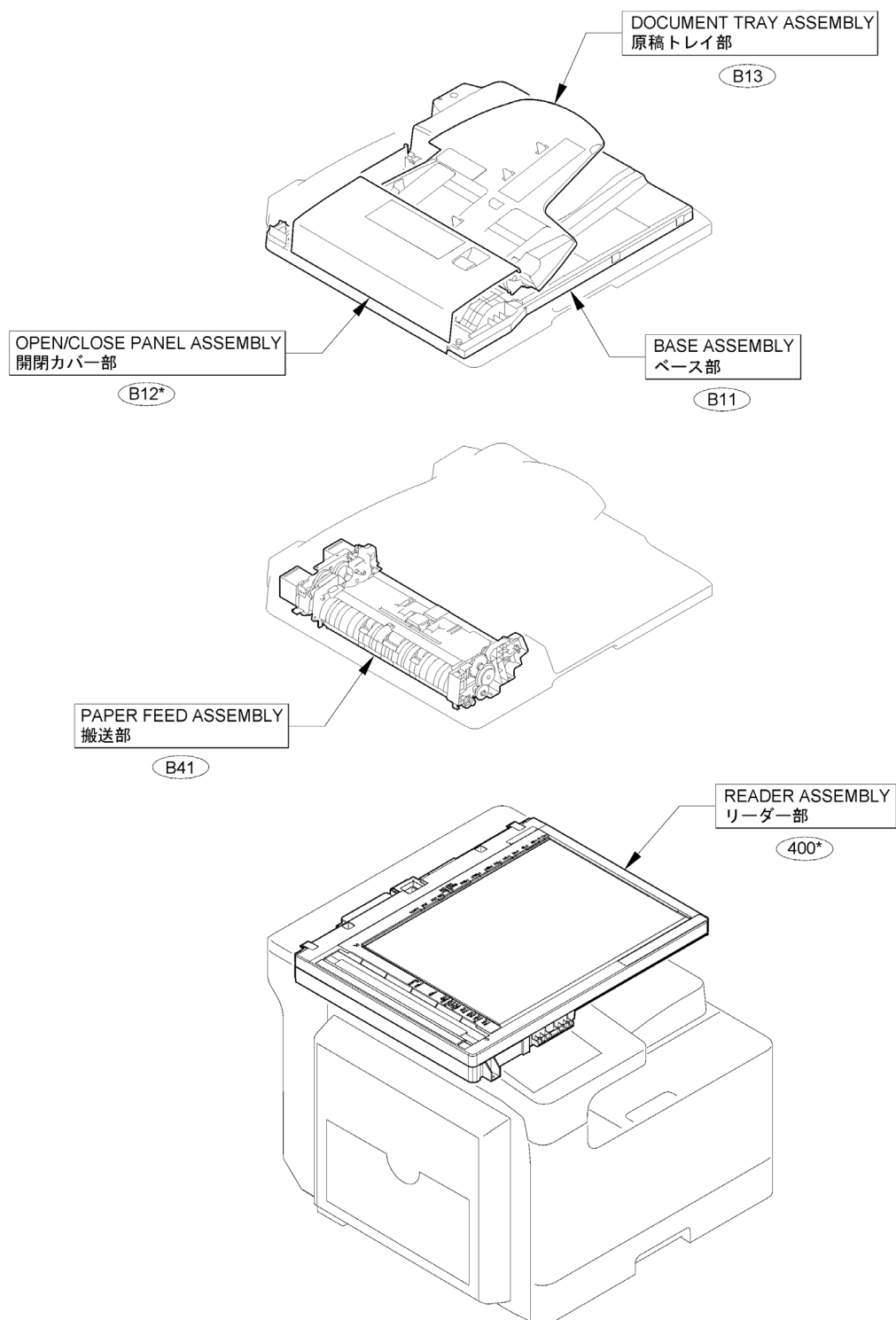


Figure A1B (1/4) ASSEMBLY LOCATION DIAGRAM (COPYBOARD model)

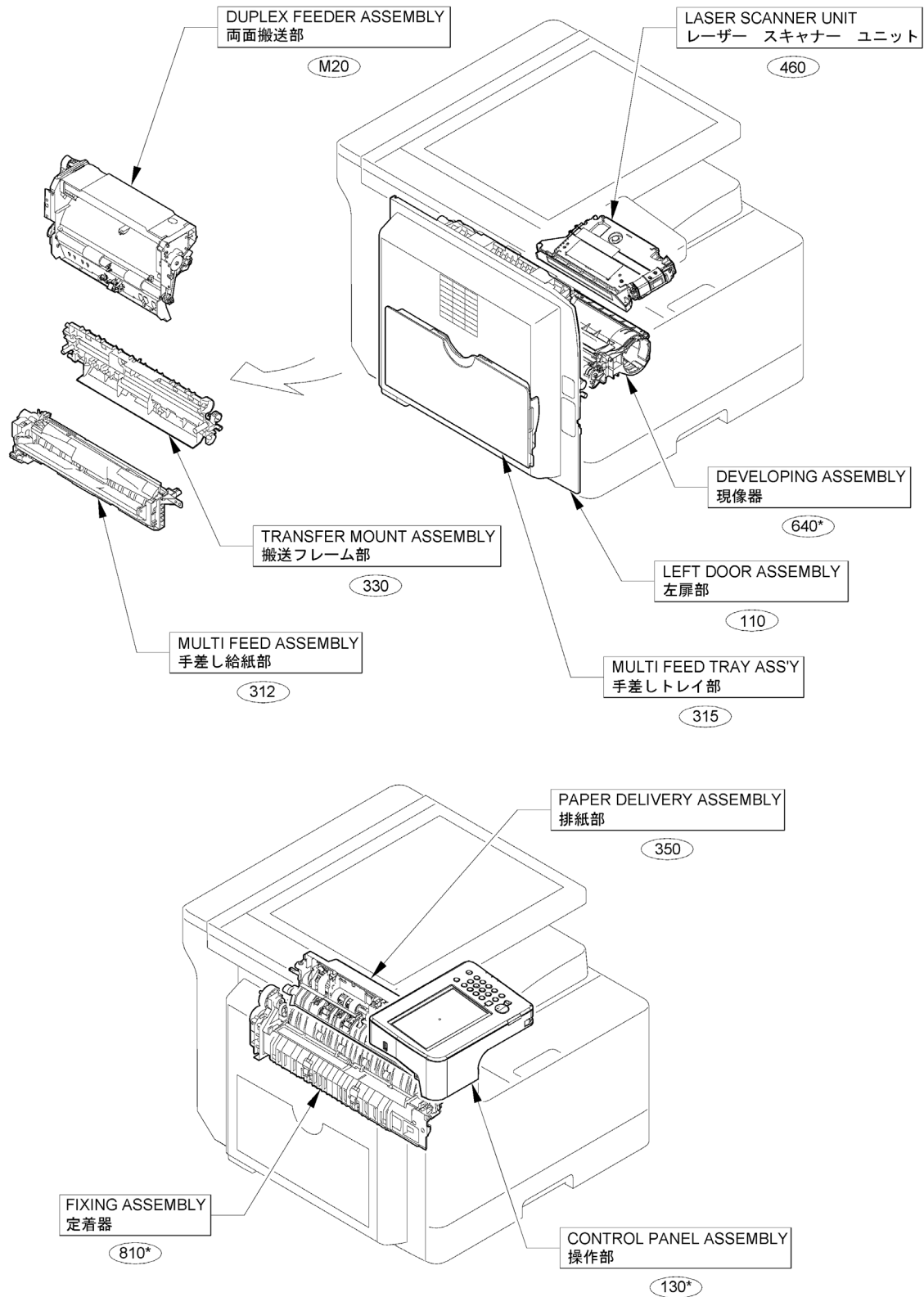


Figure A1B (2/4) ASSEMBLY LOCATION DIAGRAM (COPYBOARD model)

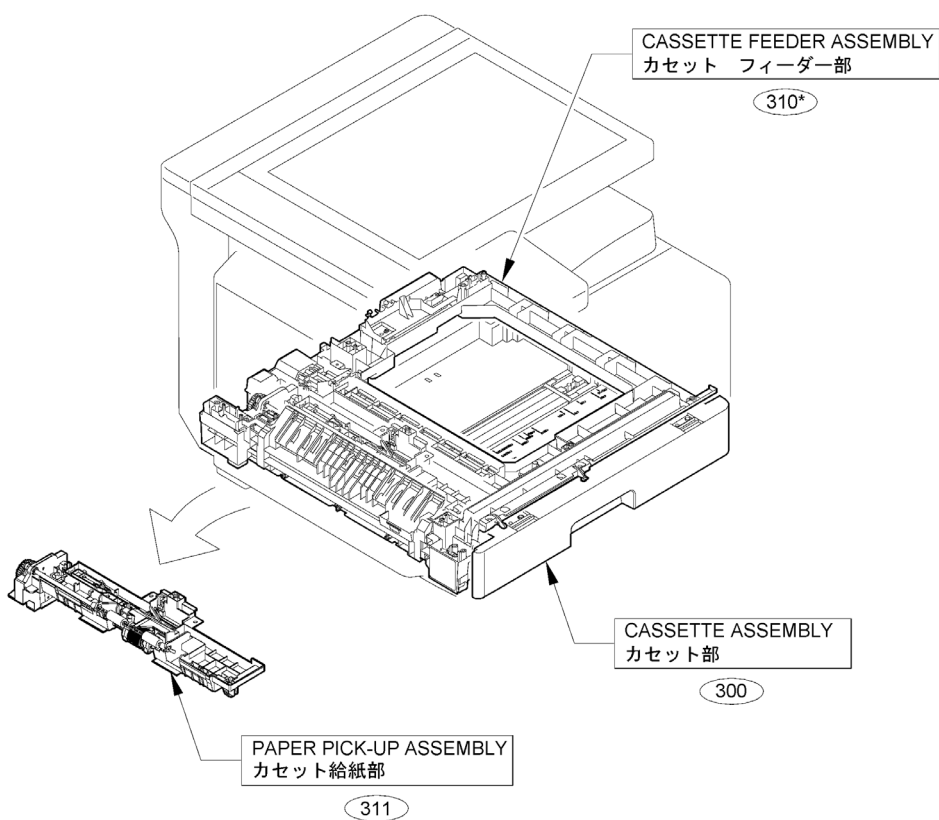


Figure A1B (3/4) ASSEMBLY LOCATION DIAGRAM (COPYBOARD model)

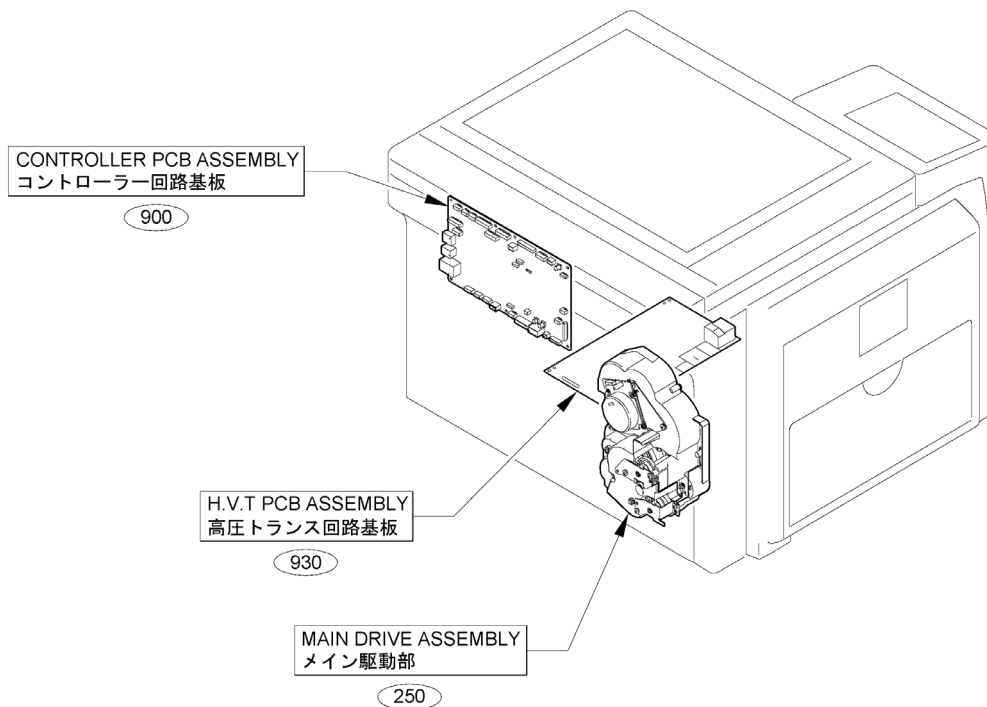


Figure A1B (4/4) ASSEMBLY LOCATION DIAGRAM (COPYBOARD model)

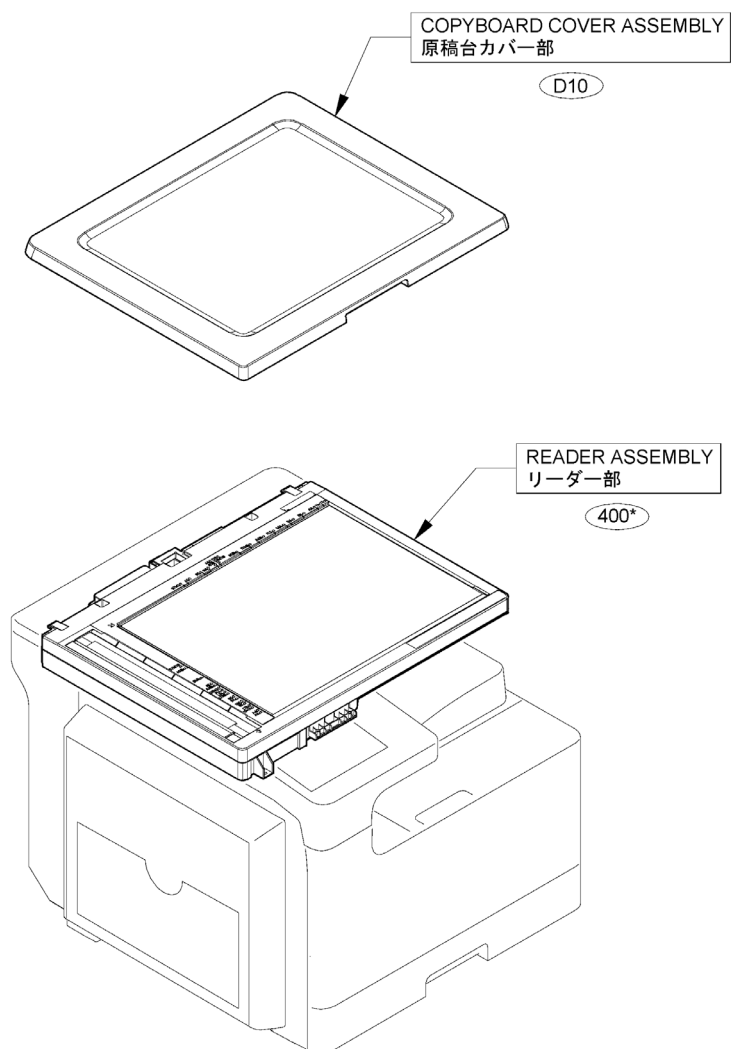




Figure A2 OPTION PARTS CATALOG LIST

This is the table of the machine's options whose parts catalog is issued.  
 本機のオプションで、パーツカタログが発行されている機種の一覧である。

No.	Model Name(English)	Model Name(Japanese)
1	DADF-AZ2	(日本仕向けなし)
2	Platen Cover-AA1	(日本仕向けなし)
3	Cassette Feeding Module-AK1	(日本仕向けなし)
4	Heater Kit-M2	(日本仕向けなし)
5	Cassette Heater Unit-40	(日本仕向けなし)
6	Super G3 FAX Board-BE1	(日本仕向けなし)
7	Remote Fax Kit-A1	(日本仕向けなし)

Figure 001A ACCESSORIES

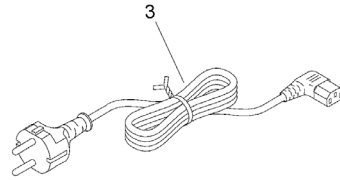
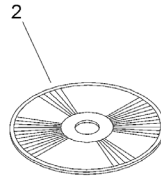
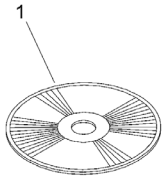


FIGURE & KEY NO.	PART NUMBER	RANK	QTY	DESCRIPTION	SERIAL NUMBER /REMARKS
001A	NPN		RF	ACCESSORIES	
1	FK4-7042-000		1	CD-ROM, SOFTWARE FOR UFR II	
2	FK4-7043-000		1	CD-ROM, SOFTWARE FOR PCL	
3	FM2-K835-000		1	CORD, POWER	

Figure 100A EXTERNAL COVERS, PANELS, ETC. (iR 2425i)

NOTE : The part shown with key No. 23 is a sheet for the optional IC Card Reader. This is not a component part of this product.

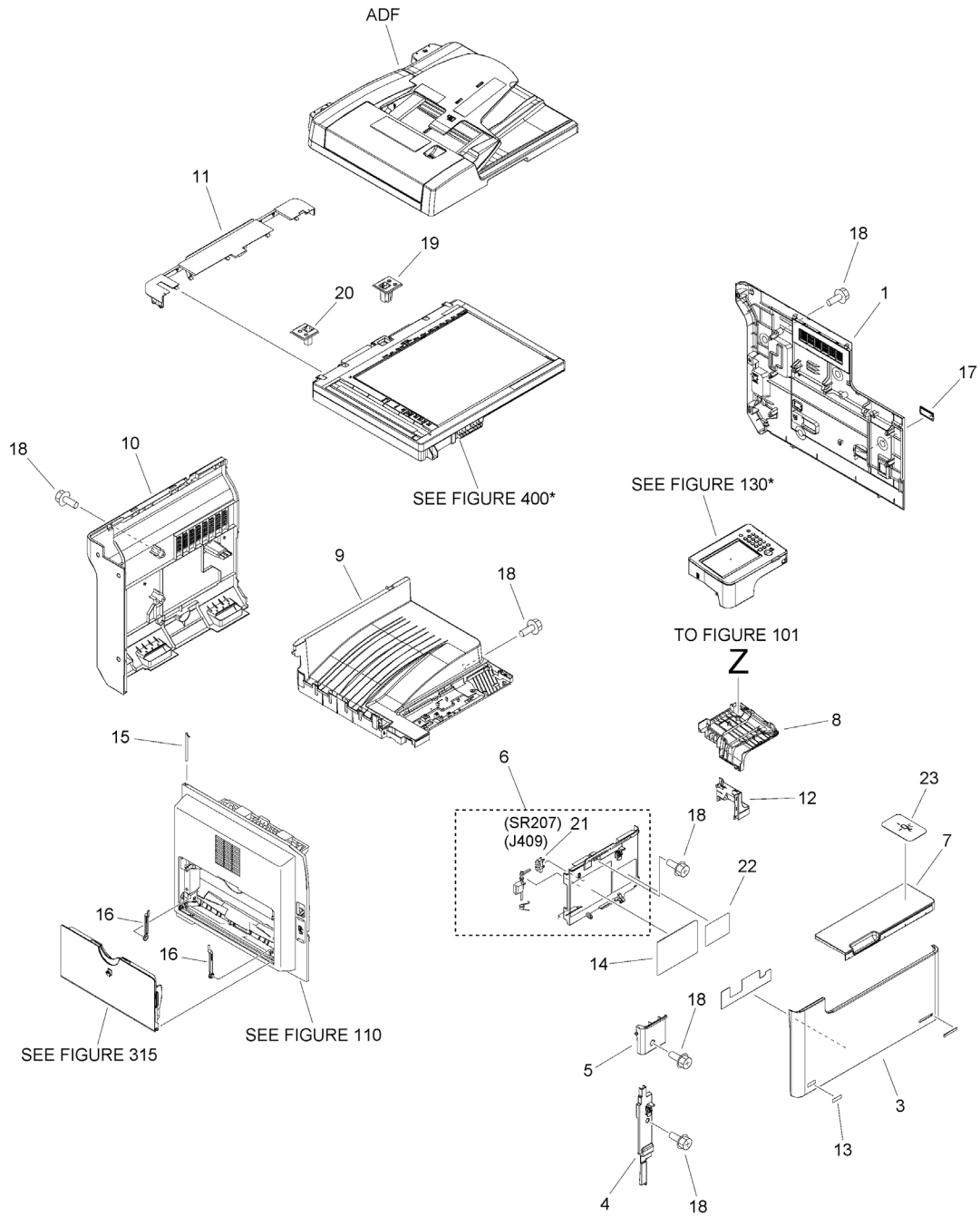


FIGURE & KEY NO.	PART NUMBER	RANK	QTY	DESCRIPTION	SERIAL NUMBER /REMARKS
100A	NPN		RF	EXTERNAL COVERS, PANELS, ETC.	iR 2425i
1	FM1-Y533-000		1	RIGHT COVER ASSEMBLY	
3	FM1-Y530-000		1	COVER, FRONT	
4	FM1-Y532-000		1	FRONT INNER LEFT COVER ASS'Y	
5	FE2-E230-000		1	COVER, FRONT INNER UPPER	
6	FM1-Y531-000		1	FRONT INNER RIGHT COVER ASS'Y	
7	FE2-E233-000		1	COVER, DELIVERY FRONT	
8	FE2-E257-000		1	COVER, CONTROL PANEL, LOWER	
9	FE2-E227-000		1	TRAY, PAPER DELIVERY	
10	FL4-1837-000		1	COVER, REAR	
11	FE2-E468-000		1	COVER, READER, REAR	
12	FE2-E228-000		1	COVER, TRAY SUB	
13	FE2-C551-000		1	LABEL, TONER	
14	FE2-H831-000		1	LABEL, TONER EXCHANGE	US English
14	FE2-H867-000		1	LABEL, TONER EXCHANGE	UK English
15	FL0-0688-000		1	PIN, HINGE	
16	FC6-4238-000		2	STOPPER, MULTI FEED	
17	FE3-9088-000		1	COVER, FAX CONNECTOR	
18	XA9-1386-000		15	SCREW,RS,M3X8	
19	FM1-Z368-000		1	COVER, HINGE, RIGHT	
20	FM1-Z363-000		1	COVER, HINGE, LEFT	
21	WG8-5935-000		1	IC, PHOTO INTERRUPTER	SR207
22	FE2-H835-000		1	LABEL, GENUINE TONER	
23	FL1-7547-010		1	SHEET, IC CARD READER	SEE NOTE

Figure 100B EXTERNAL COVERS, PANELS, ETC. (iR 2425)

NOTE : The part shown with key No. 24 is a sheet for the optional IC Card Reader. This is not a component part of this product.

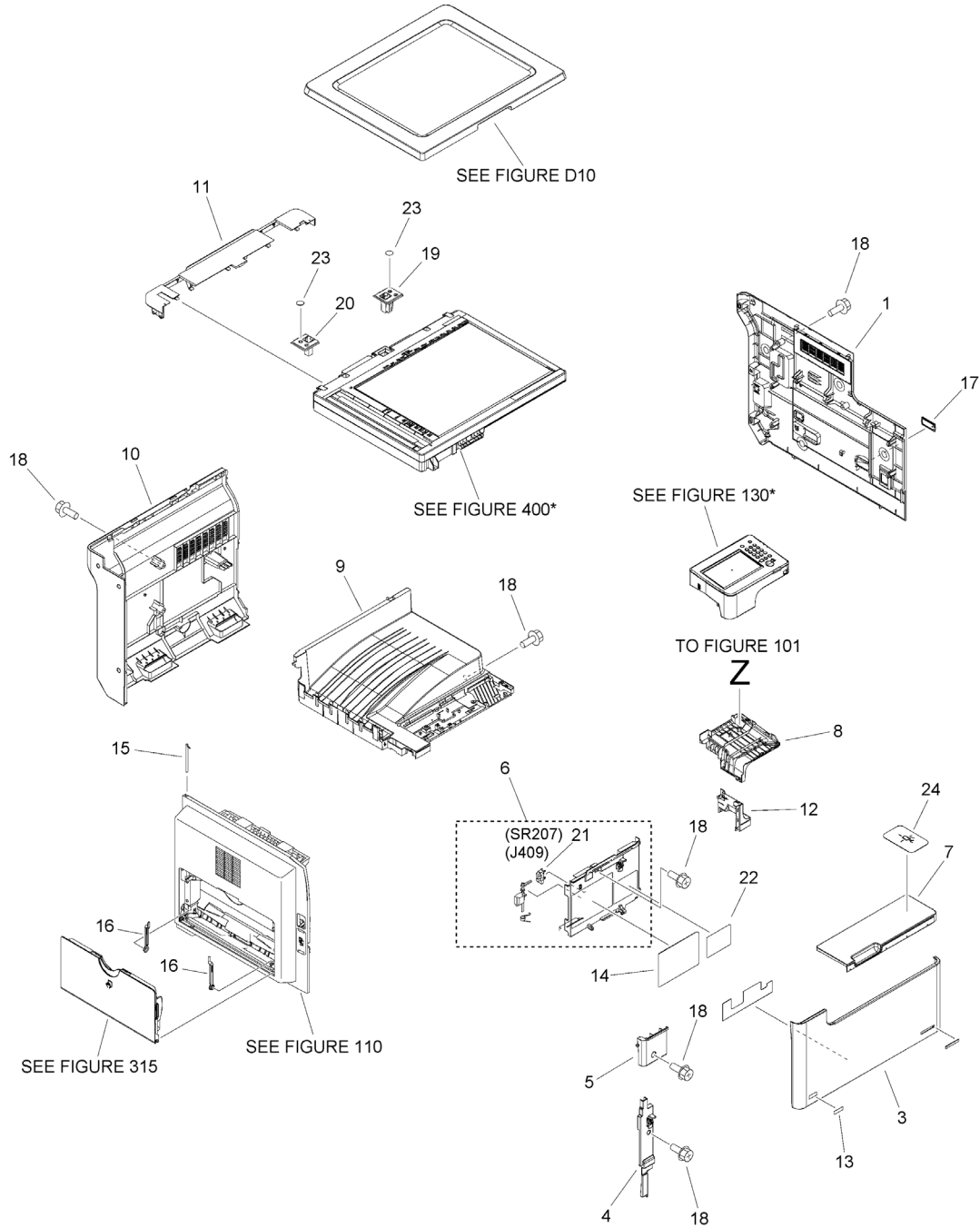


FIGURE & KEY NO.	PART NUMBER	RANK	QTY	DESCRIPTION	SERIAL NUMBER /REMARKS
100B	NPN		RF	EXTERNAL COVERS, PANELS, ETC.	iR 2425
1	FM1-Y533-000		1	RIGHT COVER ASSEMBLY	
3	FM1-Y530-000		1	COVER, FRONT	
4	FM1-Y532-000		1	FRONT INNER LEFT COVER ASS'Y	
5	FE2-E230-000		1	COVER, FRONT INNER UPPER	
6	FM1-Y531-000		1	FRONT INNER RIGHT COVER ASS'Y	
7	FE2-E233-000		1	COVER, DELIVERY FRONT	
8	FE2-E257-000		1	COVER, CONTROL PANEL, LOWER	
9	FE2-E227-000		1	TRAY, PAPER DELIVERY	
10	FL4-1837-000		1	COVER, REAR	
11	FE2-E468-000		1	COVER, READER, REAR	
12	FE2-E228-000		1	COVER, TRAY SUB	
13	FE2-C551-000		1	LABEL, TONER	
14	FE2-H831-000		1	LABEL, TONER EXCHANGE	US English
14	FE2-H867-000		1	LABEL, TONER EXCHANGE	UK English
15	FL0-0688-000		1	PIN, HINGE	
16	FC6-4238-000		2	STOPPER, MULTI FEED	
17	FE3-9088-000		1	COVER, FAX CONNECTOR	
18	XA9-1386-000		15	SCREW,RS,M3X8	
19	FM1-Z368-000		1	COVER, HINGE, RIGHT	
20	FM1-Z363-000		1	COVER, HINGE, LEFT	
21	WG8-5935-000		1	IC, PHOTO INTERRUPTER	SR207
22	FE2-H835-000		1	LABEL, GENUINE TONER	
23	FC6-5204-000		2	SHEET, HANDSET	
24	FL1-7547-010		1	SHEET, IC CARD READER	SEE NOTE

Figure 101A INTERNAL COMPONENTS 1

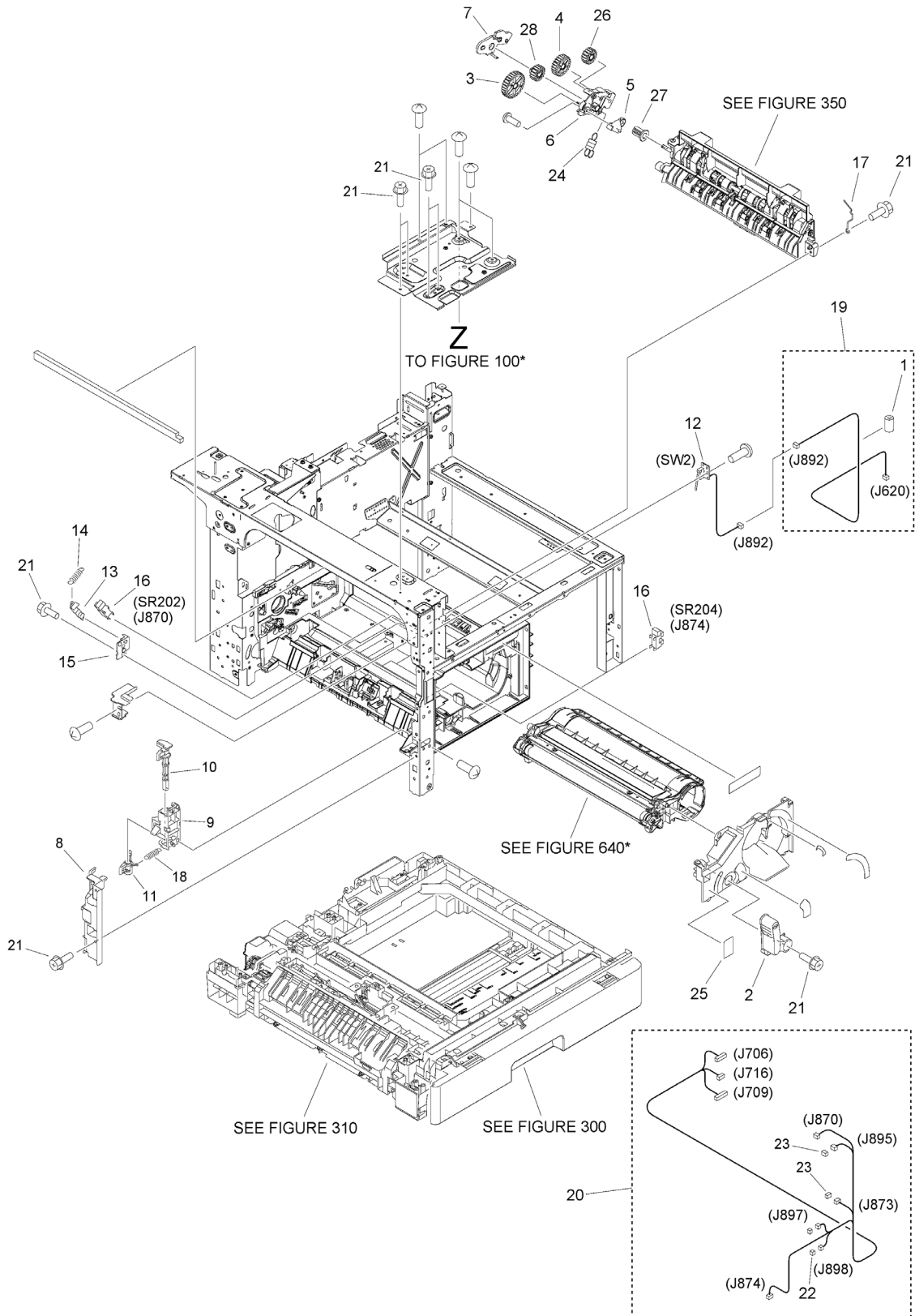




FIGURE & KEY NO.	PART NUMBER	RANK	QTY	DESCRIPTION	SERIAL NUMBER /REMARKS
101A	NPN		RF	INTERNAL COMPONENTS 1	
1	WE8-6823-000		1	CORE, FERRITE	
2	FC7-1757-020		1	LEVER, DEV, PRESSURE	
3	FE3-2757-000		1	GEAR, 31T	
4	FE3-2764-000		1	GEAR, 24T	
5	FE2-K420-000		1	HOLDER, PAPER DELIVERY	
6	FE2-K422-000		1	HOLDER, GEAR	
7	FE3-2769-000		1	COVER, HOLDER	
8	FE2-B837-010		1	COVER, HOOK	
9	FE3-3161-000		1	HOLDER, HOOK	
10	FE3-3162-000		1	HOOK, DOOR, UPPER	
11	FE3-3163-000		1	HOOK, DOOR, LOWER	
12	FM2-4020-000		1	DOOR SWITCH PCB ASS'Y	SW2
13	FE3-3244-000		1	FLAG, SENSOR	
14	FE3-3245-000		1	SPRING, TENSION	
15	FE3-3246-000		1	GUIDE, FIXING POSITION, RIGHT	
16	WG8-5935-000		2	IC, PHOTO INTERRUPTER	SR202, SR204
17	FE3-2875-000		1	SPRING, GROUNDING	
18	FU6-2194-000		1	SPRING, TENSION	
19	FM2-P922-000		1	CABLE, DOOR SWITCH	
20	FM1-C939-010		1	CABLE, PAPER EJECT SENSOR	
21	XA9-1386-000		15	SCREW,RS,M3X8	
22	VS1-7177-002		1	CONNECTOR, SNAP TIGHT, BK	
23	VS1-7207-003		2	CONNECTOR, SNAP TIGHT, BK	
24	FE3-2758-000		1	SPRING, TENSION	
25	FE2-C147-000		1	LABEL, DRUM EXCHANGE CAUTION	
26	FE3-2754-000		1	GEAR, 17T	
27	FE3-2755-000		1	BUSHING	
28	FE3-2756-000		1	GEAR, 17T	

Figure 102 INTERNAL COMPONENTS 2

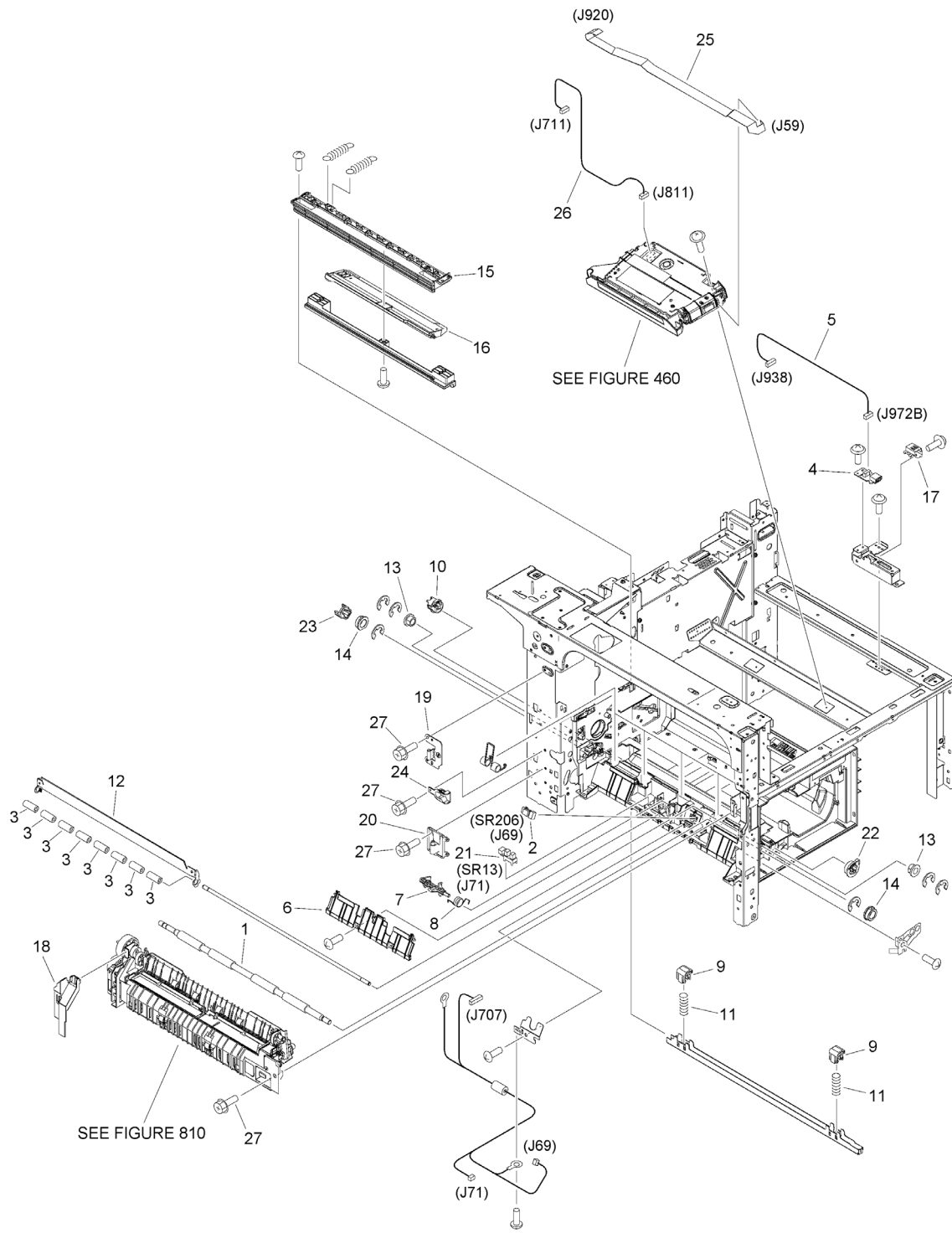


FIGURE & KEY NO.	PART NUMBER	RANK	QTY	DESCRIPTION	SERIAL NUMBER /REMARKS
102	NPN		RF	INTERNAL COMPONENTS 2	
1	FE3-2941-000		1	ROLLER, REGISTRATION	
2	WG8-5927-000		1	IC, PHOTO INTERRUPTER	SR206
3	FE3-2943-000		8	ROLLER, REGIST PRESSURE	
4	FM1-G976-000		1	PCB,USB	
5	FM2-P971-000		1	CABLE, USB CONNECTING	
6	FE2-E457-000		1	COVER, SENSOR	
7	FE3-2966-000		1	FLAG, SENSOR	
8	FC6-4308-000		1	SPRING, TORSION	
9	FC6-4135-000		2	CAM, PRESSURE, DEV.	
10	FE3-3096-000		1	BUSHING	
11	FU6-2146-000		2	SPRING, COMPRESSION	
12	FM1-B037-000		1	GUIDE UNIT, PRE-TRANS., UPPER	
13	FS1-1205-000		2	BUSHING	
14	XG9-0737-000		2	BUSHING	
15	FE3-3092-010		1	HOLDER, LASER SHUTTER, 1	
16	FE2-B784-000		1	SHUTTER, LASER	
17	FE2-H658-000		1	PLATE, USB GROUNDING	
18	FE3-3263-000		1	COVER, AC CABLE	
19	FE3-3157-000		1	PLATE, HINGE	
20	FE3-3159-000		1	HOLDER, HINGE	
21	WG8-5935-000		1	IC, PHOTO INTERRUPTER	SR13
22	FE3-3095-000		1	BUSHING	
23	FE3-3041-000		1	COUPLING	
24	FE3-3164-000		1	BLOCK, POSITIONING, DOOR	
25	FK4-6654-000		1	CABLE, FLEXIBLE FLAT	
26	FM2-P926-000		1	CABLE, POLYGON MOTOR	
27	XA9-1386-000		7	SCREW,RS,M3X8	

Figure 103 INTERNAL COMPONENTS 3

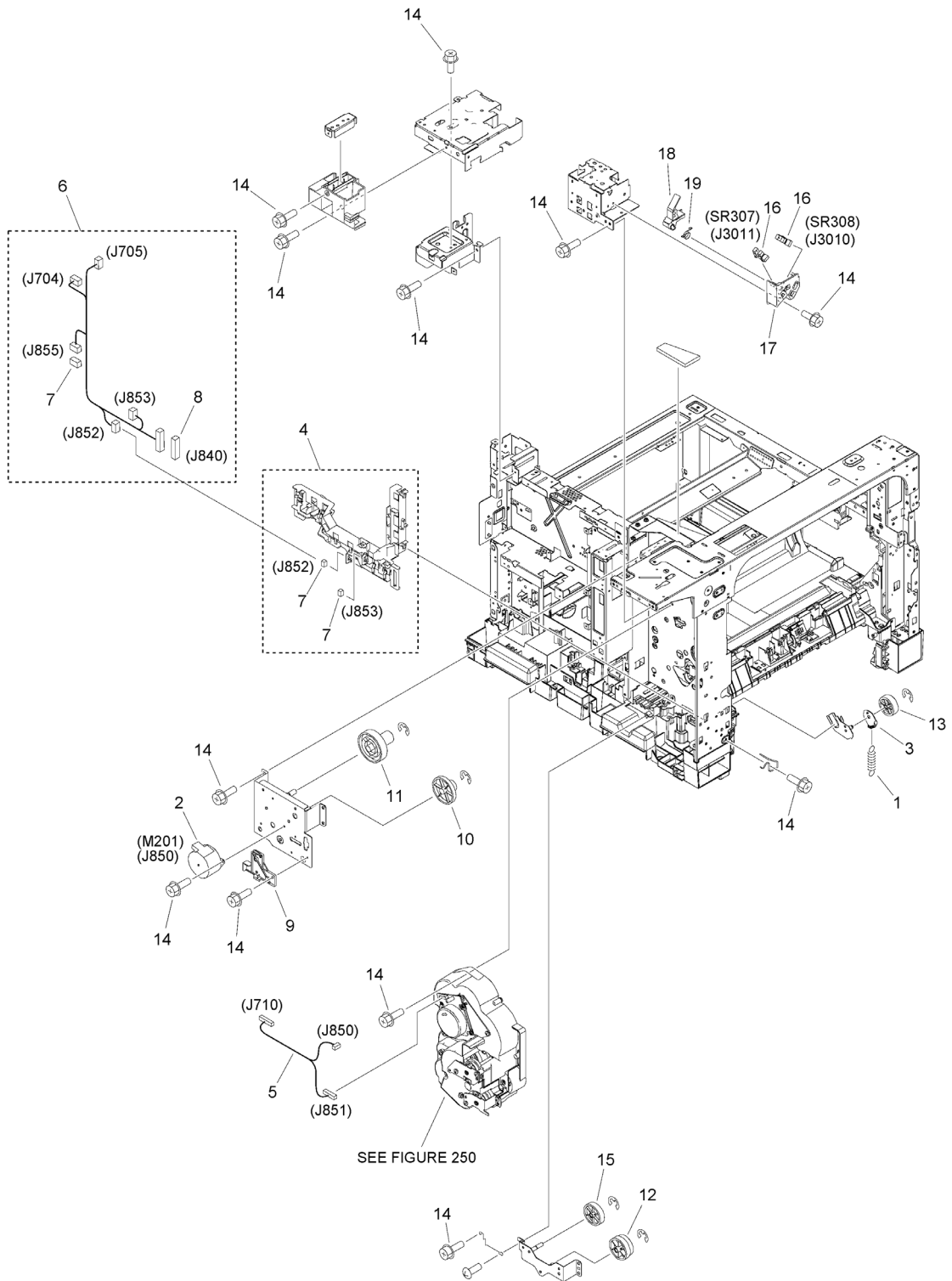


FIGURE & KEY NO.	PART NUMBER	RANK	QTY	DESCRIPTION	SERIAL NUMBER /REMARKS
103	NPN		RF	MACHINE REAR PLATE 1	
1	FE3-3008-000		1	SPRING, TENSION	
2	FK4-0512-000		1	MOTOR, STEPPING	M201
3	FE3-3047-000		1	STOPPER	
4	FM1-V219-000		1	GUIDE, CABLE	
5	FM2-H871-010		1	CABLE, MAIN/FIXING MOTOR	
6	FM2-P928-000		1	CABLE, DOOR, LEFT	
7	VS1-7177-002		3	CONNECTOR, SNAP TIGHT, BK	
8	VS1-7177-013		1	CONNECTOR, SNAP TIGHT	
9	FE3-3241-000		1	GUIDE, FIXING POSITION, LEFT	
10	FE3-3242-000		1	GEAR, 22T/80T	
11	FE2-B840-000		1	GEAR, 19T/91T	
12	FE3-3040-000		1	GEAR, 28T/46T	
13	FE3-3060-000		1	GEAR, 33T	
14	XA9-1386-000		15	SCREW,RS,M3X8	
15	FE3-3039-000		1	GEAR, 45T	
16	WG8-5935-000		2	IC, PHOTO INTERRUPTER	SR307, SR308
17	FE2-E474-000		1	HOLDER, SENSOR	
18	FE2-E475-000		1	LEVER, SENSOR	
19	FU2-3065-000		1	SPRING, SENSOR	

Figure 104A INTERNAL COMPONENTS 4 (230V)

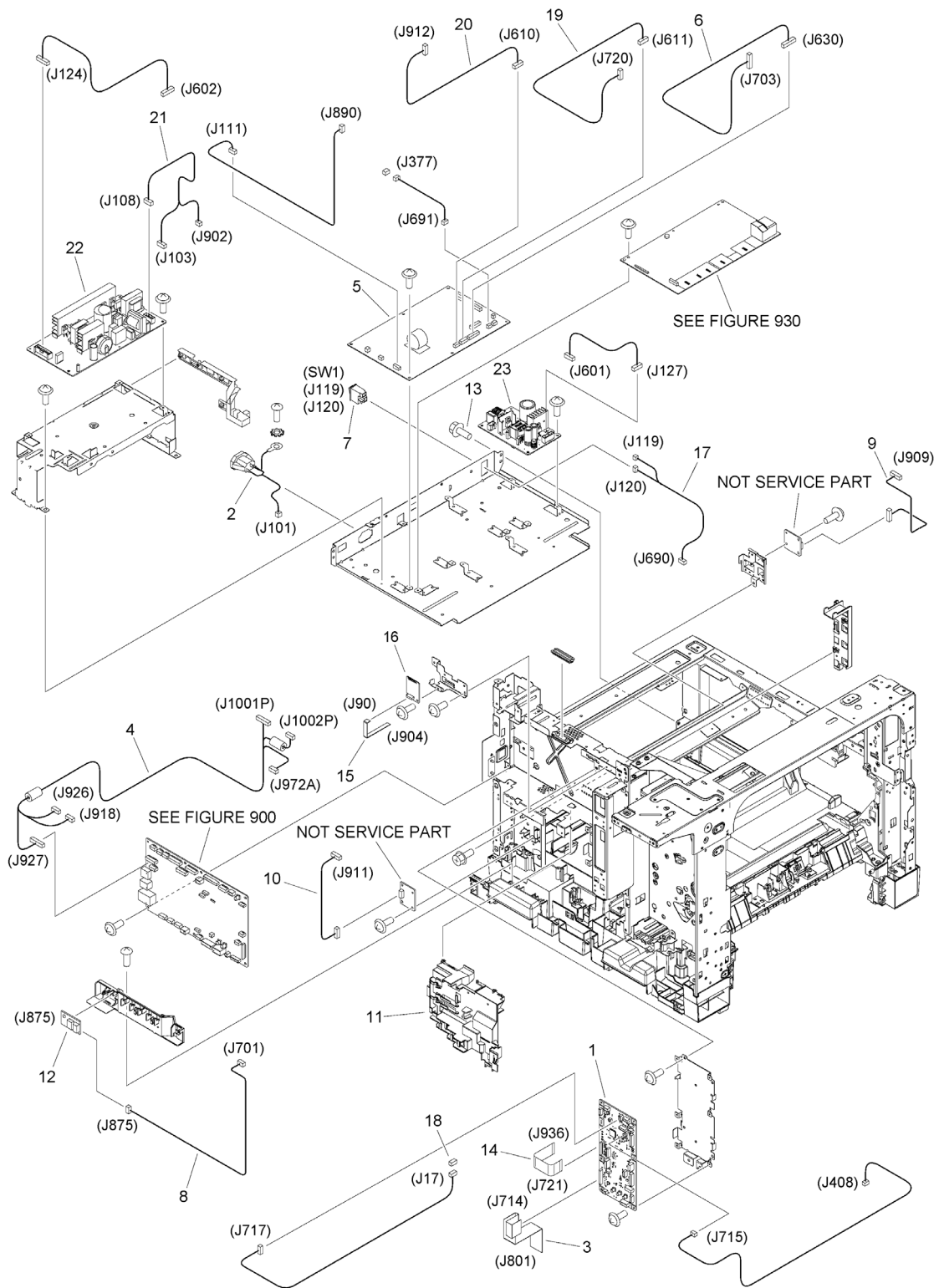


FIGURE & KEY NO.	PART NUMBER	RANK	QTY	DESCRIPTION	SERIAL NUMBER /REMARKS
104A	NPN		RF	MACHINE REAR PLATE 2	230V
1	FM2-P911-000		1	DC CONTROLLER PCB ASSEMBLY	
2	FM2-P923-000		1	CABLE, INLET	
3	FK4-6657-000		1	CABLE, FLEXIBLE FLAT	
4	FM2-P934-000		1	CABLE, OPARATION PANEL	
5	FM2-Q834-000		1	AC DRIVER PCB ASS'Y	
6	FM2-P917-000		1	CABLE, AC	
7	FK3-2835-000		1	SWITCH, MAIN	SW1
8	FM2-P975-000		1	CABLE, ENVIRONMENT SENSOR	
9	FM2-P970-000		1	CABLE, SOFT-ID PCB	
10	FM2-P968-000		1	CABLE, COUNTER PCB	
11	FE2-E444-000		1	GUIDE, CABLE	
12	WP2-5316-000		1	SENSOR UNIT, HUMIDITY	HU1
13	XA9-1386-000		15	SCREW,RS,M3X8	
14	FK4-6652-000		1	CABLE, FLEXIBLE FLAT	
15	FK4-6661-000		1	CABLE, FLEXIBLE FLAT	
16	QM7-4472-000		1	WIRELESS LAN BOARD ASS'Y	
17	FM2-P921-000		1	CABLE, MAIN SWICH	
18	VS1-7207-004		1	CONNECTOR, SNAP TIGHT, BK	
19	FM2-P918-000		1	CABLE, AC DRIVE	
20	FM2-P920-000		1	CABLE, AC DRIVE	
21	FM2-P919-000		1	CABLE, RELAY POWER SUPPLY	
22	FK2-6318-010		1	24V POWER SUPPLY PCB ASSEMBLY	
23	FK3-3273-000		1	ALL NIGHT POWER SUPPLY PCB	

Figure 110 LEFT DOOR ASSEMBLY

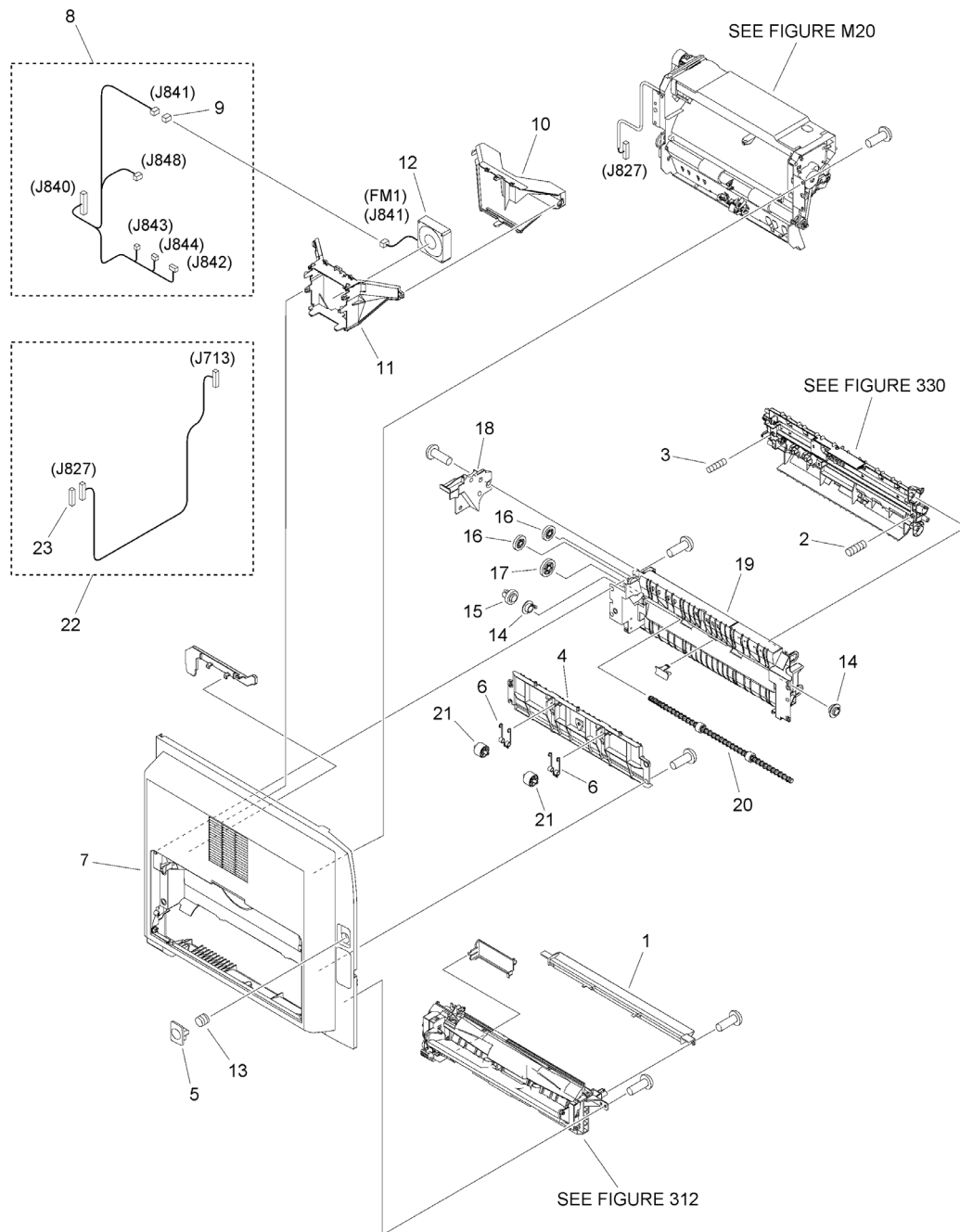




FIGURE & KEY NO.	PART NUMBER	RANK	QTY	DESCRIPTION	SERIAL NUMBER /REMARKS
110	NPN		RF	LEFT DOOR ASSEMBLY	
1	FC6-4377-000		1	GUIDE, FEED	
2	FE3-2813-000		1	SPRING, COMPRESSION	
3	FE3-2814-000		1	SPRING, COMPRESSION	
4	FE3-2828-000		1	GUIDE, DUPLEXING, LOWER	
5	FE8-1411-000		1	BUTTON, LEFT DOOR	
6	FE3-2837-000		2	SPRING, TORSION	
7	FL1-6328-000		1	DOOR, LEFT	
8	FM1-C934-010		1	CABLE, LEFT DOOR	
9	VS1-7177-003		1	CONNECTOR, SNAP TIGHT, BK	
10	FE2-B838-000		1	DUCT, FAN	
11	FE3-3166-000		1	DUCT, FAN	
12	FL1-1717-000		1	FAN	FM1
13	FU6-2160-000		1	SPRING, COMPRESSION	
14	FC6-6758-000		2	BUSHING	
15	FE3-2829-000		1	GEAR, 19T	
16	FE3-2830-000		2	GEAR, 19T	
17	FE3-2831-000		1	GEAR, 23T	
18	FE3-2836-000		1	COVER, GEAR	
19	FE2-B779-000		1	MOUNT, FEEDER	
20	FL0-0701-000		1	ROLLER, DUPLEXING PAPER FEED	
21	FE2-B863-000		2	COLLAR, FIXING DELIVERY	
22	FM2-P929-000		1	CABLE, DUPLEXING	
23	VS1-8412-011		1	CONNECTOR, SNAP TIGHT, BL	

Figure 130A CONTROL PANEL ASSEMBLY

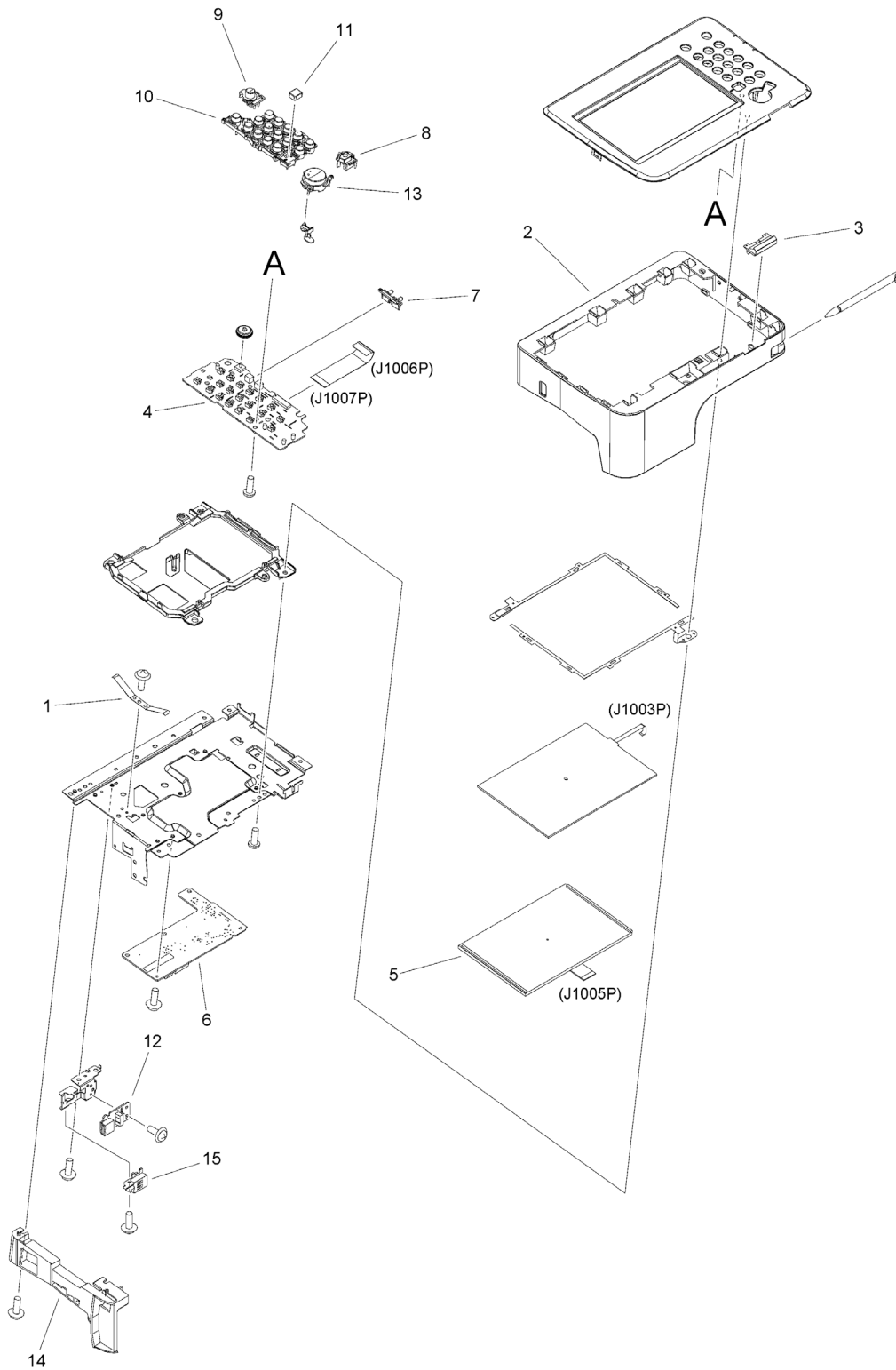


FIGURE & KEY NO.	PART NUMBER	RANK	QTY	DESCRIPTION	SERIAL NUMBER /REMARKS
130A	FM2-A056-000		1	CONTROL PANEL ASSEMBLY	
1	FE2-H645-000		1	PLATE, GROUNDING	
2	FL4-2362-000		1	COVER, CONTROL PANEL, MD.	
3	FE2-E258-000		1	GUIDE LIGHT	
4	FM2-J922-000		1	KEY TOP PCB ASSEMBLY	
5	FM1-Z468-000		1	LCD UNIT	
6	FM2-P972-000		1	CONTROL PANEL MAIN PCB ASS'Y	
7	FE2-H648-000		1	KEY TOP, VOLUME	
8	FL4-2364-000		1	KEY TOP, STOP	
9	FL4-2367-000		1	KEY TOP, ENERGY SAVER	
10	FL4-2365-000		1	KEY TOP, NUMBERS	
11	FL4-2366-000		1	KEY TOP, RESET	
12	FM1-G976-000		1	PCB,USB	
13	FL4-2363-000		1	KEY TOP, START	
14	FE2-E255-000		1	COVER, CONTROL PANEL SUB	
15	FE2-H658-000		1	PLATE, USB GROUNDING	

Figure 250 MAIN DRIVE ASSEMBLY

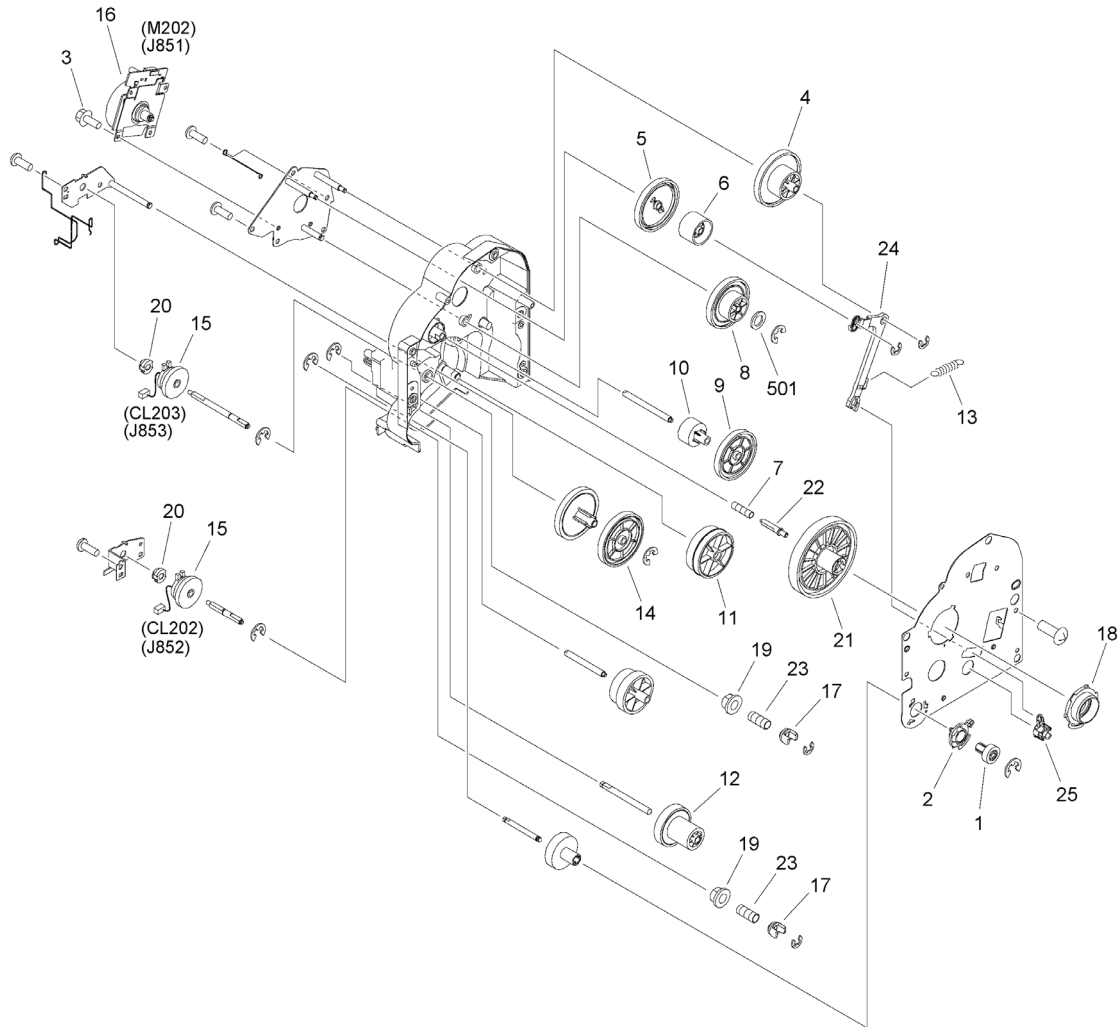


FIGURE & KEY NO.	PART NUMBER	RANK	QTY	DESCRIPTION	SERIAL NUMBER /REMARKS
250	FM2-A182-000		1	MAIN DRIVE ASSEMBLY	
1	FE3-3002-000		1	GEAR, 17T	
2	FE3-3003-000		1	BUSHING	
3	XA9-1386-000		4	SCREW,RS,M3X8	
4	FE3-3010-000		1	GEAR, 57T/113T	
5	FE3-3011-000		1	GEAR, 107T	
6	FE3-3012-000		1	GEAR, 59T	
7	FE3-3013-000		1	SPRING, COMPRESSION	
8	FE3-3014-000		1	GEAR, 53T/103T	
9	FE3-3015-000		1	GEAR, 101T	
10	FE3-3016-000		1	GEAR, 29T	
11	FE3-3017-000		1	GEAR, 48T/59T	
12	FE2-B835-000		1	GEAR, 23T/42T	
13	FE3-3074-000		1	SPRING, TENSION	
14	FE3-3020-000		1	GEAR, 67T	
15	FK4-0529-000		2	CLUTCH, ELECTROMAGNETIC	CL202, CL203
16	FM1-B328-000		1	MOTOR UNIT, DC	M202
17	FE3-3027-000		2	COUPLING	
18	FE3-3031-000		1	BUSHING	
19	FS1-1205-000		2	BUSHING	
20	FE3-3045-000		2	BUSHING	
21	FU6-0788-000		1	GEAR, 161T	
22	RB2-1850-000		1	PIN	
23	FE3-3059-000		2	SPRING, COMPRESSION	
24	FE3-3061-000		1	LEVER, RELEASE	
25	FE3-3062-000		1	COUPLING	
501	XD1-1106-229		1	WASHER,COP	

Figure 300 CASSETTE ASSEMBLY

NOTE : This assembly does not include the part shown with key No. 1.

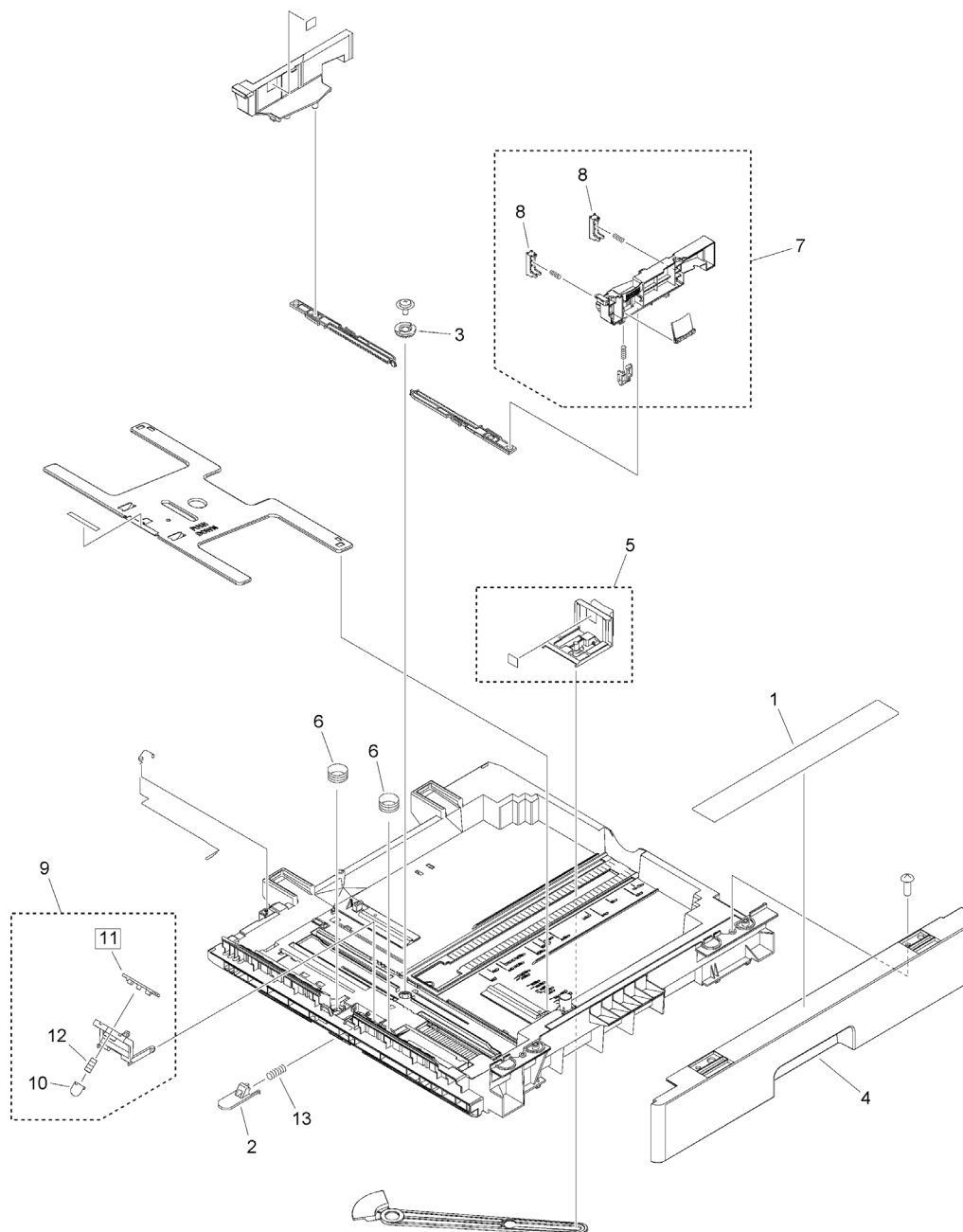


FIGURE & KEY NO.	PART NUMBER	RANK	QTY	DESCRIPTION	SERIAL NUMBER /REMARKS
300	FM1-Y536-000		1	CASSETTE ASSEMBLY	SEE NOTE
1	FE2-H837-000		1	LABEL, PAPER SET	SEE NOTE
2	FE2-B854-000		1	BLOCK, LIFTER PLATE RETAINING	
3	FE2-B862-000		1	PINION, 18T	
4	FE2-E240-000		1	COVER, CASSETTE, FRONT	
5	FL1-6331-000		1	PLATE, BACK END LIMIT	
6	FU7-2988-000		2	SPRING, COMPRESSION	
7	FM1-V266-000		1	SIDE END PLATE ASSEMBLY, FRONT	
8	FE2-B857-000		2	BLOCK, PAPER RETAINING	
9	FM1-V267-000		1	CASSETTE HOLDER ASSEMBLY	
10	FE2-B856-000		1	CAP, CASSETTE HOLDER SPRING	
11	FL3-1447-000		1	MOUNT, CASSETTE PAD	[DP]
12	FU7-2989-000		1	SPRING, COMPRESSION	
13	FU7-2987-000		1	SPRING, COMPRESSION	

Figure 310A CASSETTE FEEDER ASSEMBLY

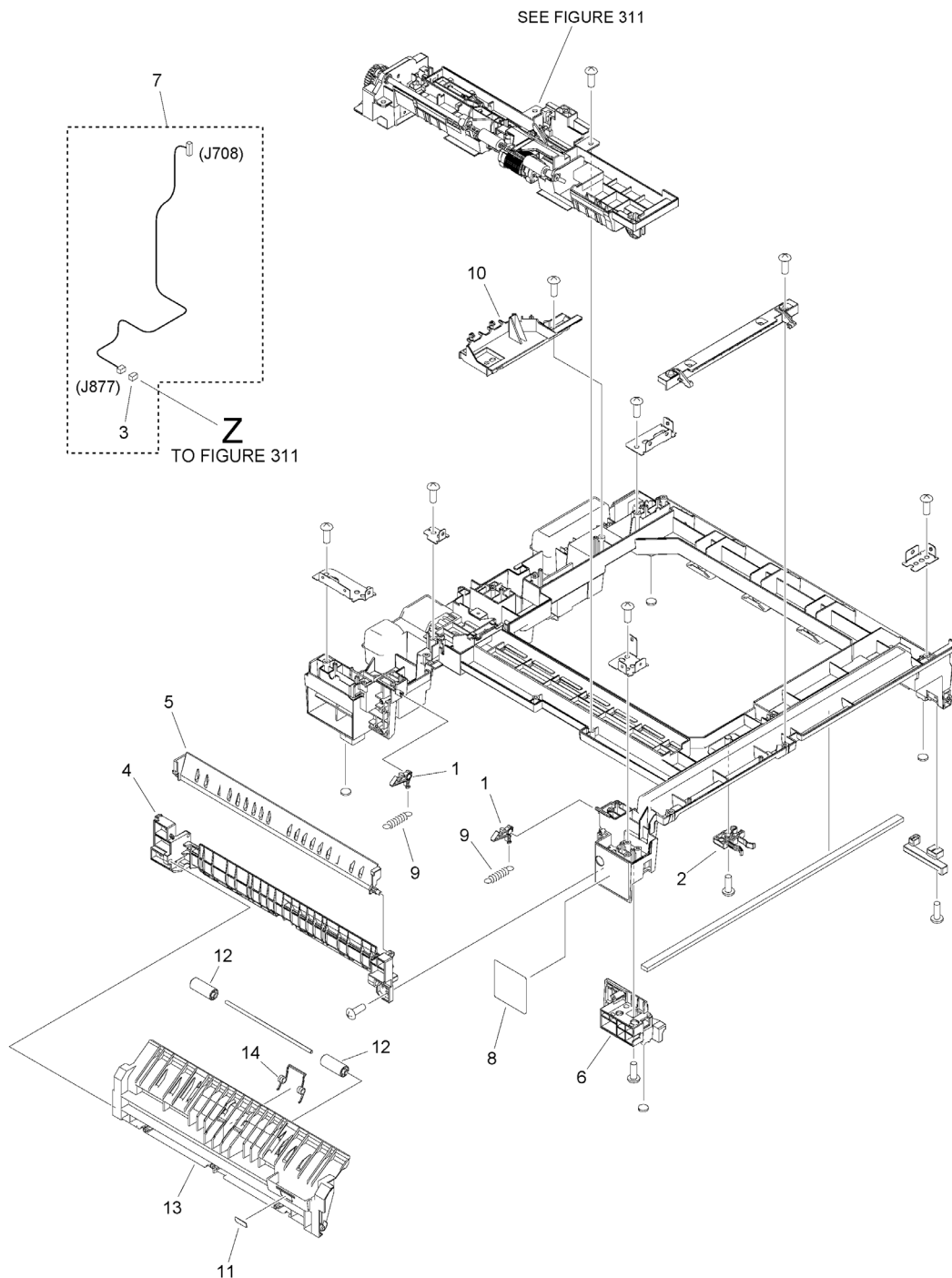




FIGURE & KEY NO.	PART NUMBER	RANK	QTY	DESCRIPTION	SERIAL NUMBER /REMARKS
310A	NPN		RF	CASSETTE FEEDER ASSEMBLY	
1	FC6-4326-000		2	LOCK, VERTICAL PASS	
2	FE3-2917-000		1	BLOCK, POSITIONING	
3	VS1-7207-003		1	CONNECTOR, SNAP TIGHT, BK	
4	FE2-K414-000		1	GUIDE, CASSETTE, LEFT	
5	FE2-B830-000		1	COVER, CASSETTE INNER, LEFT	
6	FE2-B834-000		1	RAIL, CASSETTE, LEFT	
7	FM2-P976-000		1	CABLE, CASSETTE LARGE SENSOR	
8	FE2-H839-000		1	LABEL, JAM CLEARING	
9	FU6-2174-000		2	SPRING, TENSION	
10	FE2-B841-000		1	RAIL, BASE PLATE	
11	FE2-C555-000		1	LABEL, COVER	
12	FE3-2930-000		2	ROLLER	
13	FE2-B782-000		1	COVER, CASSETTE, LEFT	
14	FE3-2950-000		1	SPRING, TORSION	

Figure 311 PAPER PICK-UP ASSEMBLY

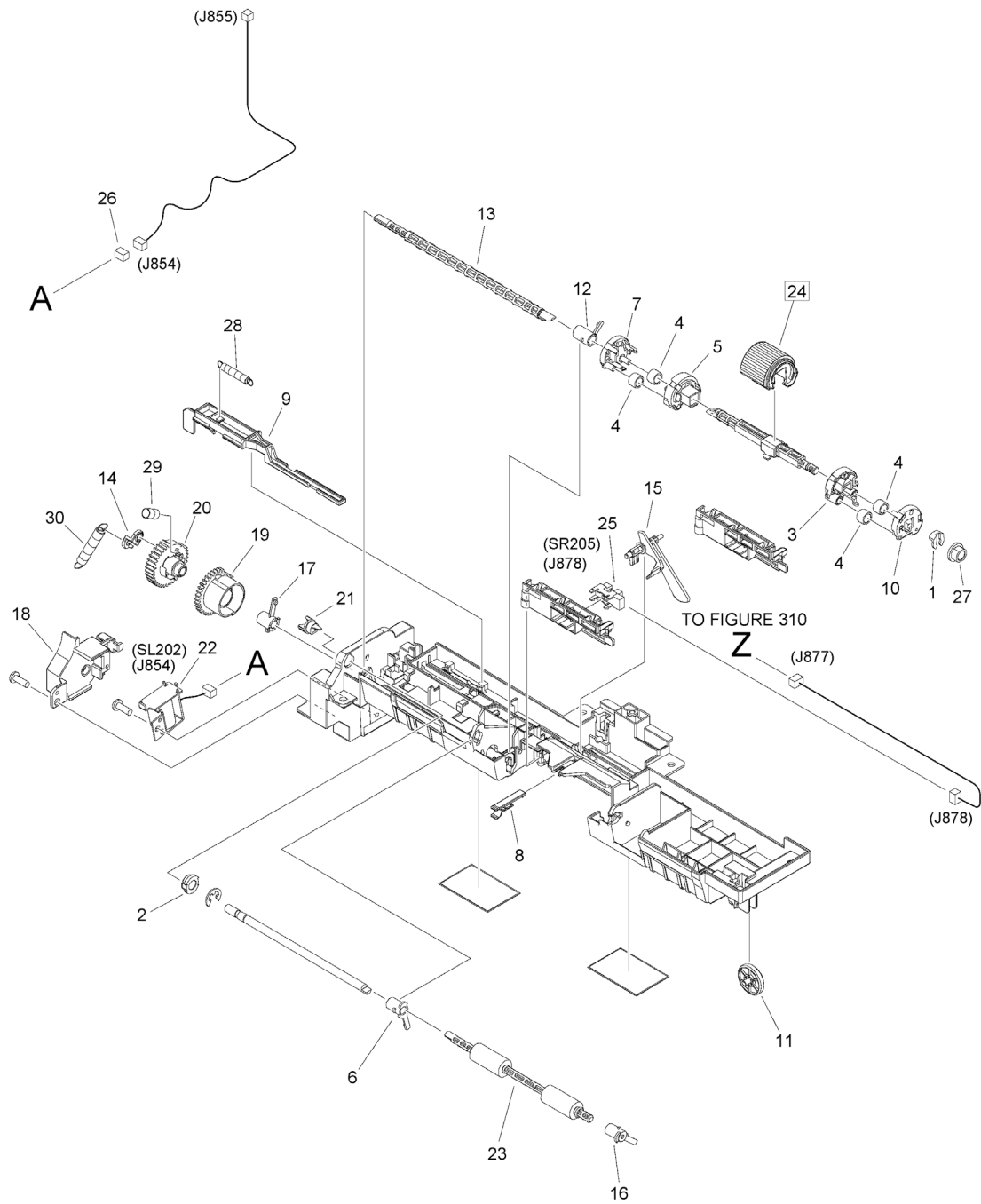


FIGURE & KEY NO.	PART NUMBER	RANK	QTY	DESCRIPTION	SERIAL NUMBER /REMARKS
311	FM2-A181-000		1	PAPER PICK-UP ASSEMBLY	
1	FC5-4425-000		1	CLIP	
2	FE2-B848-000		1	BUSHING	
3	FE2-B849-000		1	CAM,CASSETTE PAPER PICK-UP,RR.	
4	FE2-B850-000		4	ROLLER, PAPER PICK-UP	
5	FE2-B851-000		1	CAM, CST. PAPER PICK-UP, FRONT	
6	FE2-B852-000		1	BUSHING	
7	FE2-B853-000		1	FLANGE, PICK-UP ROLLER, FRONT	
8	FE2-B858-000		1	BUSHING	
9	FE2-B859-000		1	LEVER, CASSETTE DETECT MOVING	
10	FE2-B860-000		1	FLANGE, PICK-UP ROLLER, REAR	
11	FE2-B861-000		1	ROLLER, PLATE RETAINER, MIDDLE	
12	FE3-2923-000		1	BUSHING	
13	FE8-3878-000		1	SHAFT, TRANSMISSION	
14	FE2-B864-000		1	HOOK, INTERMITTENT GEAR	
15	FE3-2926-000		1	FLAG, SENSOR	
16	FE3-2964-000		1	BUSHING	
17	FE3-2967-000		1	BUSHING	
18	FE3-2980-000		1	COVER, SOLENOID	
19	FE3-3024-010		1	GEAR, 36T	
20	FE3-3025-010		1	GEAR, 36T	
21	FE3-3042-000		1	COUPLING	
22	FK2-9196-010		1	SOLENOID	SL202
23	FL0-0695-000		1	ROLLER, EXTRACTION	
24	FL4-4740-000		1	ROLLER, PAPER PICK-UP	[DP]
25	WG8-5935-000		1	IC, PHOTO INTERRUPTER	SR205
26	VS1-7177-003		1	CONNECTOR, SNAP TIGHT, BK	
27	FS1-1205-000		1	BUSHING	
28	FU6-2406-000		1	SPRING, TENSION	
29	FU7-2923-000		1	SPRING, COMPRESSION	
30	FU7-2982-000		1	SPRING, TENSION	

Figure 312 MULTI FEED ASSEMBLY

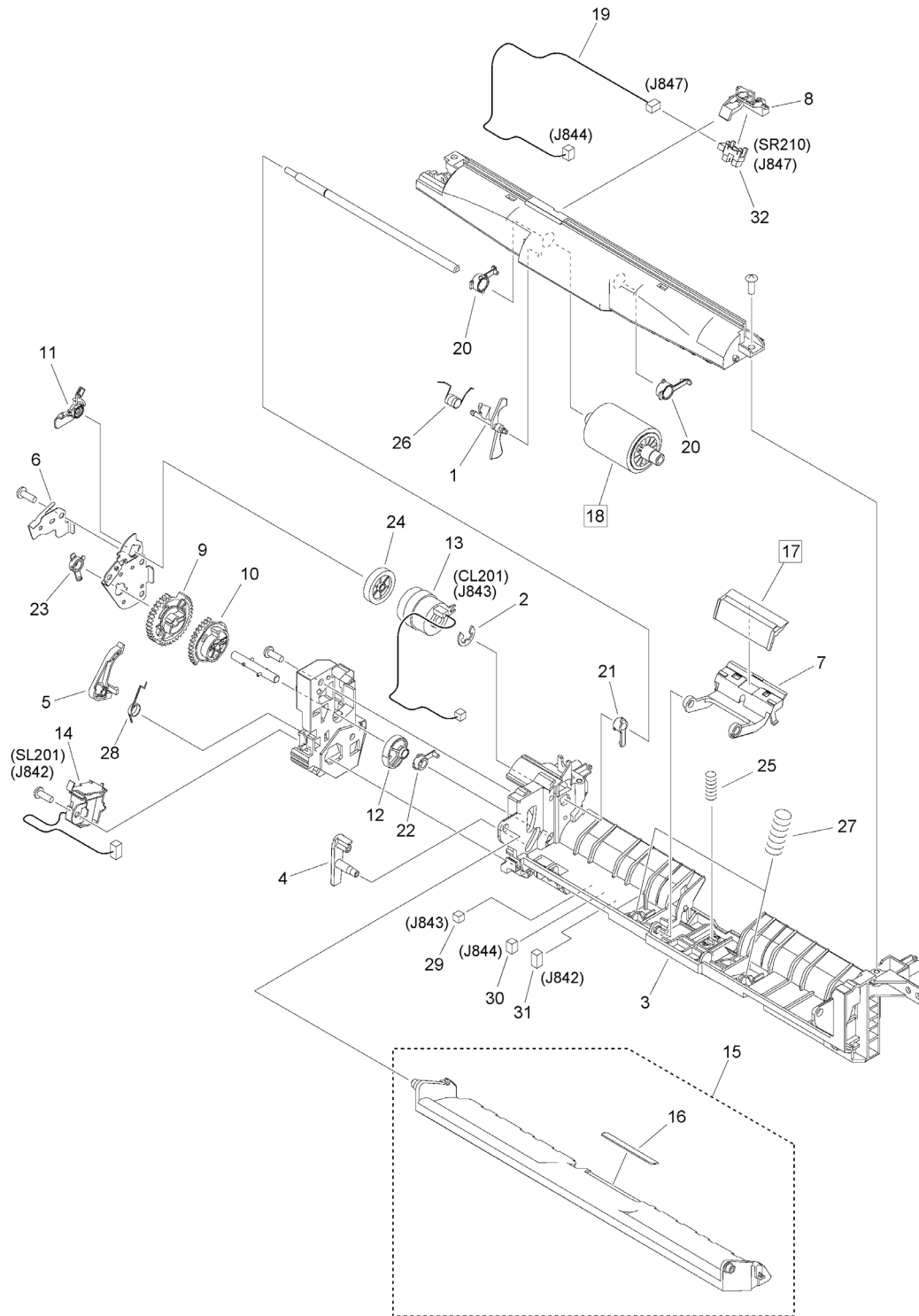


FIGURE & KEY NO.	PART NUMBER	RANK	QTY	DESCRIPTION	SERIAL NUMBER /REMARKS
312	NPN		RF	MULTI FEED ASSEMBLY	
1	FC6-4209-020		1	FLAG, SENSOR	
2	XD9-0395-000		1	RING, E	
3	FE2-B794-000		1	GUIDE, MULTI FEED	
4	FC6-4224-000		1	SUPPORT, CAM, LIFTING	
5	FC6-4227-020		1	ARM, MULTI FEED	
6	FC6-4231-000		1	PLATE, GROUNDING	
7	FC6-4234-000		1	ARM, PAD, SEPARATION	
8	FC6-4239-000		1	HOLDER, SENSOR	
9	FC8-0165-000		1	GEAR, 39T	
10	FC8-0166-000		1	GEAR, 39T	
11	FC8-0167-010		1	STOPPER, SWING PLATE	
12	FC8-0168-000		1	CAM, PLATE, MIDDLE	
13	FK2-1070-000		1	CLUTCH, ELECTROMAGNETIC	CL201
14	FK2-1072-000		1	SOLENOID	SL201
15	FL1-0309-010		1	LIFTING PLATE ASSEMBLY	
16	FL1-6847-000		1	SHEET, SEPARATION	
17	FL2-3201-010		1	SEPARATION PAD ASS'Y	[DP]
18	FL2-3202-000		1	ROLLER, PICK-UP	[DP]
19	FM2-4421-010		1	HARNES, SENSOR, PAPER	
20	FU5-1527-000		2	BUSHING, ROLLER, PICK-UP	
21	FU5-1528-000		1	BUSHING, SHAFT, PICK-UP	
22	FU5-1529-000		1	BUSHING, SHAFT, CAM (F)	
23	FU5-1530-000		1	BUSHING, SHAFT, CAM (R)	
24	FU6-0814-000		1	GEAR, 25T	
25	FU6-2180-000		1	SPRING, COMPRESSION	
26	FU6-2182-000		1	SPRING, TORSION	
27	FU7-2221-000		2	SPRING, COMPRESSION	
28	FU7-2222-000		1	SPRING, TORSION	
29	VS1-7177-002		1	CONNECTOR, SNAP TIGHT, BK	
30	VS1-7177-003		1	CONNECTOR, SNAP TIGHT, BK	
31	VS1-7177-004		1	CONNECTOR, SNAP TIGHT, BK	
32	WG8-5935-000		1	IC, PHOTO INTERRUPTER	SR210

# Figure 315 MULTI FEED TRAY ASSEMBLY

NOTE : This assembly does not include the part shown with key No. 3.

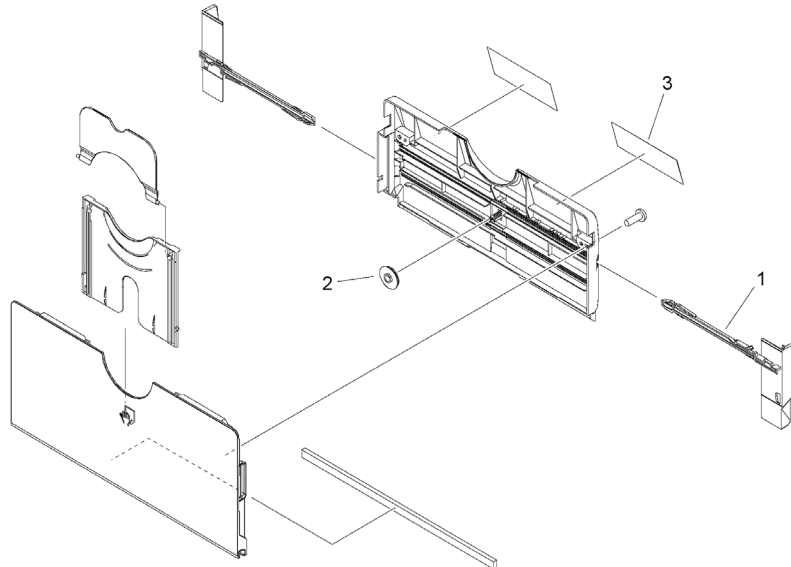


FIGURE & KEY NO.	PART NUMBER	RANK	QTY	DESCRIPTION	SERIAL NUMBER /REMARKS
315	FM1-L670-000		1	MULTI FEED TRAY ASSEMBLY	SEE NOTE
1	FE8-1422-000		1	PLATE, LIMIT, FRONT	
2	FC6-4220-000		1	GEAR, PINION	
3	FE2-H429-000		1	LABEL, MULTI PAPER SET	SEE NOTE

Figure 330 TRANSFER MOUNT ASSEMBLY

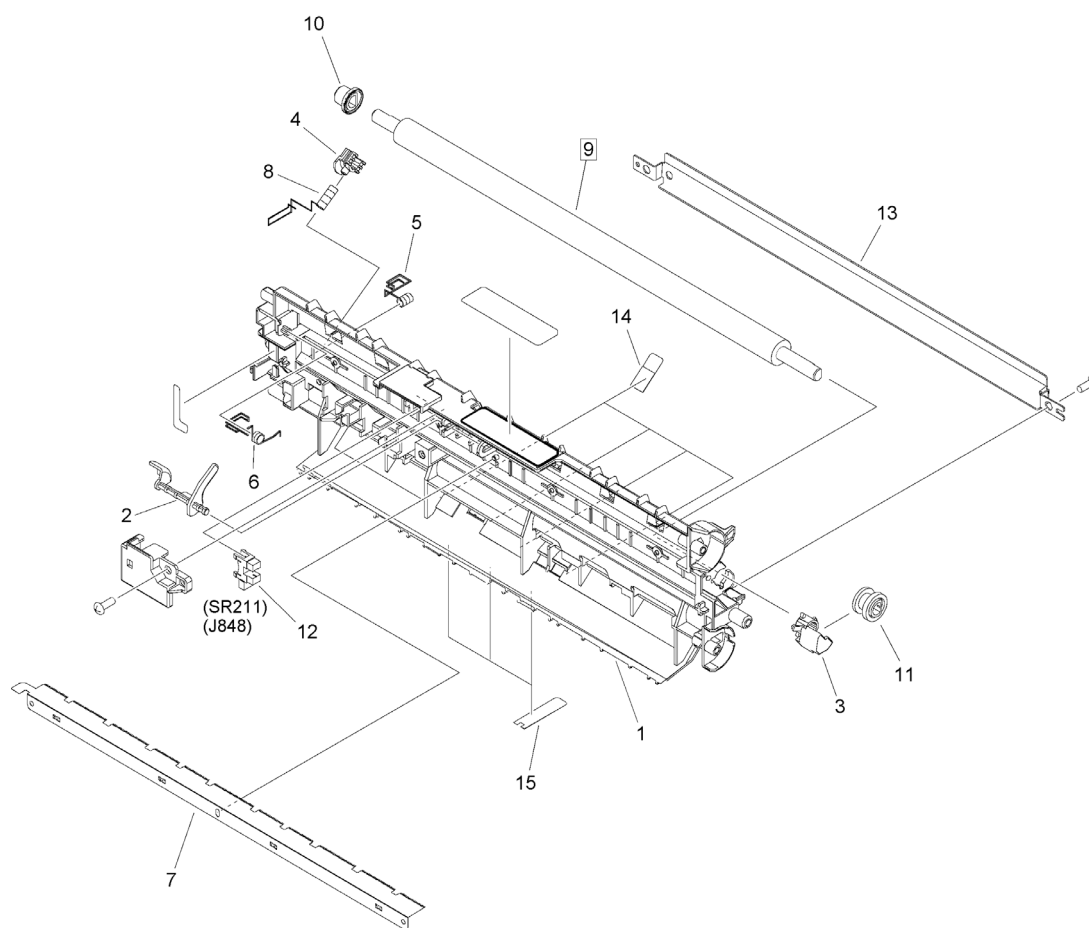




FIGURE & KEY NO.	PART NUMBER	RANK	QTY	DESCRIPTION	SERIAL NUMBER /REMARKS
330	FM1-Y527-000		1	TRANSFER MOUNT ASSEMBLY	
1	FE2-E489-000		1	HOLDER, TRANSFER ROLLER	
2	FE3-2816-000		1	FLAG, SENSOR	
3	FE3-2817-000		1	BUSHING	
4	FE3-2818-000		1	BUSHING	
5	FE3-2843-000		1	SPRING, GROUNDING	
6	FE3-2844-000		1	SPRING, CONTACT	
7	FE3-2845-000		1	ELIMINATOR, STATIC CHARGE	
8	FE3-2846-000		1	SPRING, CONTACT	
9	FE3-2866-000		1	ROLLER, TRANSFER	[DP]
10	FE3-2879-000		1	ROLLER	
11	FU6-0773-000		1	GEAR, 30T	
12	WG8-5935-000		1	IC, PHOTO INTERRUPTER	SR211
13	FL1-7725-000		1	GUIDE, PRE-TRANSFER, LOWER	
14	FL0-0734-000		4	SHEET	
15	FL0-2039-000		3	SHEET	

Figure 350 PAPER DELIVERY ASSEMBLY

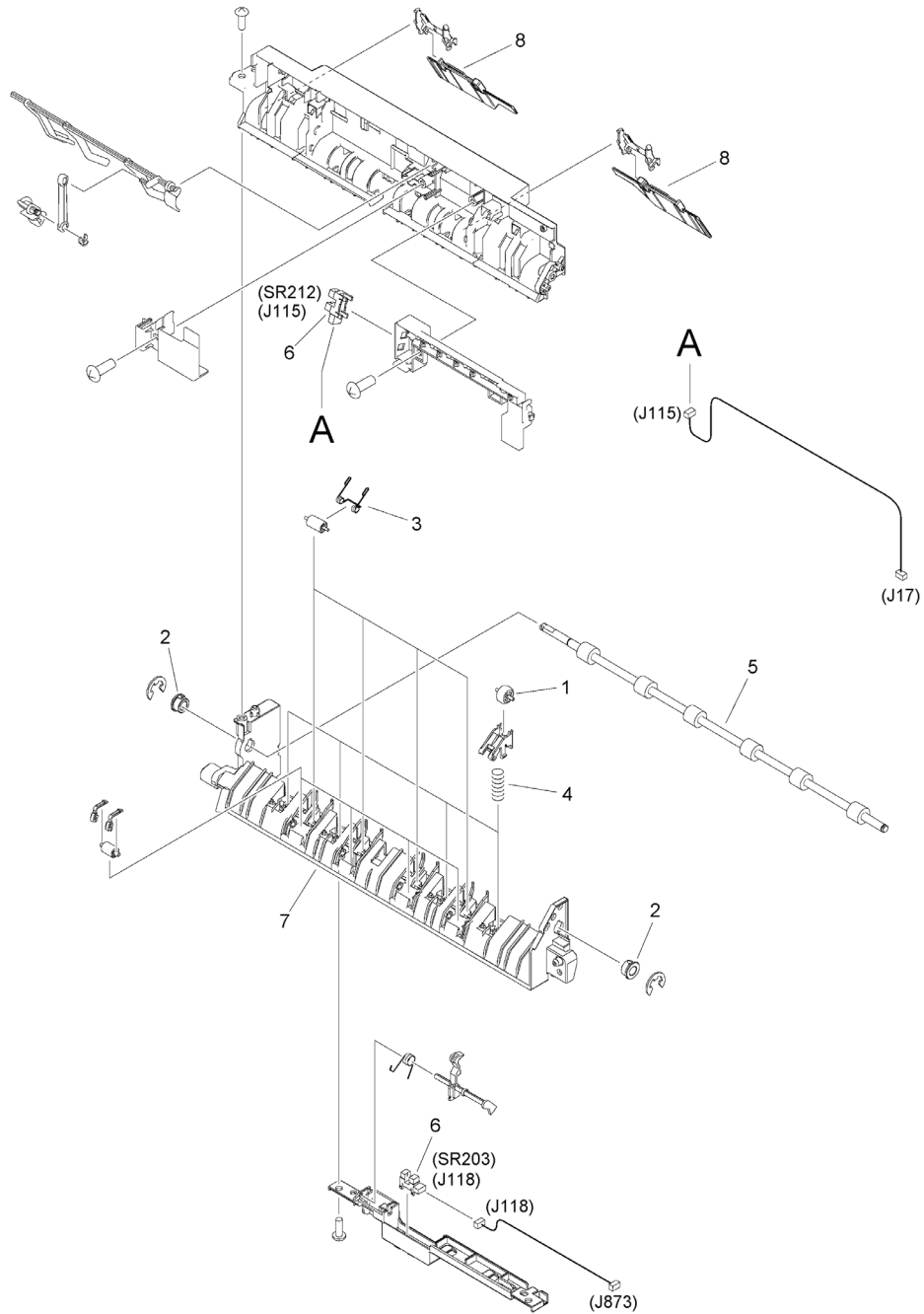


FIGURE & KEY NO.	PART NUMBER	RANK	QTY	DESCRIPTION	SERIAL NUMBER /REMARKS
350	FM1-W369-010		1	PAPER DELIVERY ASSEMBLY	
1	FE3-2872-000		4	ROLLER	
2	FS5-1805-000		2	BUSHING	
3	FE3-2762-000		4	SPRING, TORSION	
4	FE3-2874-000		4	SPRING, COMPRESSION	
5	FE3-2878-000		1	ROLLER, DELIVERY	
6	WG8-5935-000		2	IC, PHOTO INTERRUPTER	SR203, SR212
7	FE8-1287-000		1	GUIDE, DELIVERY	
8	FE8-1415-000		2	PLATE, SUPPORT	

Figure 400A READER ASSEMBLY

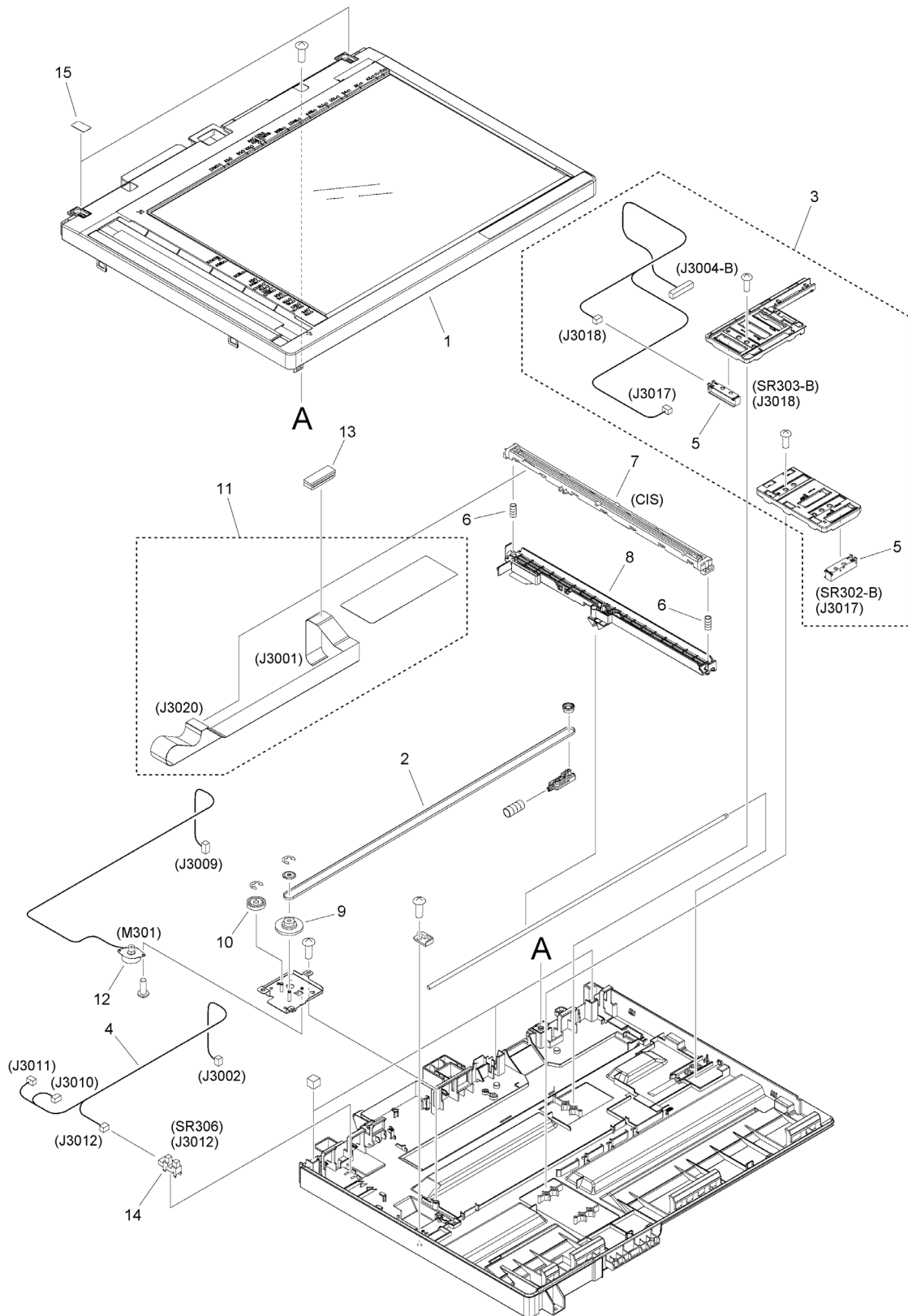
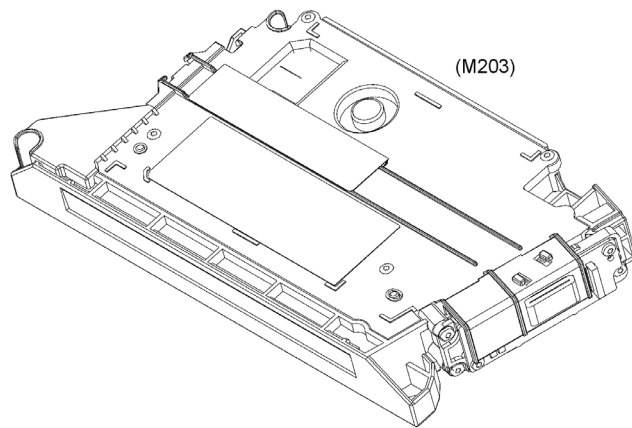


FIGURE & KEY NO.	PART NUMBER	RANK	QTY	DESCRIPTION	SERIAL NUMBER /REMARKS
400A	NPN		RF	READER ASSEMBLY	
1	FM1-Z425-000		1	COPYBOARD GLASS UNIT	
2	FE3-3560-000		1	BELT, TIMING	
3	FM1-X478-000		1	DOCUMENT SENSOR UNIT	
4	FM2-P933-000		1	CABLE, HOME POSITION SENSOR	
5	FK4-0571-000		2	IC,PHOTO SENSOR, DOCUMENT SIZE	SR302-B, SR303-B
6	FE3-3696-010		2	SPRING, COMPRESSION	
7	FM1-B473-000		1	CONTACT IMAGE SENSOR UNIT	CIS
8	FM2-A188-000		1	CIS HOLDER UNIT	
9	FE3-3561-000		1	GEAR, 90T/PULLEY, 32T	
10	FE3-3562-000		1	GEAR, 27T/60T	
11	FM2-B293-000		1	READER FLAT CABLE SET	
12	FK4-0830-000		1	MOTOR, STEPPING	M301
13	FM1-D020-000		1	FERRITE CORE UNIT	
14	WG8-5935-000		1	IC, PHOTO INTERRUPTER	SR306
15	FL0-0854-000		2	SHEET, PLATEN STOPPER	

Figure 460 LASER SCANNER UNIT



<b>FIGURE &amp; KEY NO.</b>	<b>PART NUMBER</b>	<b>R A N K</b>	<b>QTY</b>	<b>DESCRIPTION</b>	<b>SERIAL NUMBER /REMARKS</b>
460	FM1-Z656-000		1	LASER SCANNER UNIT	M203

Figure 640A DEVELOPING ASSEMBLY

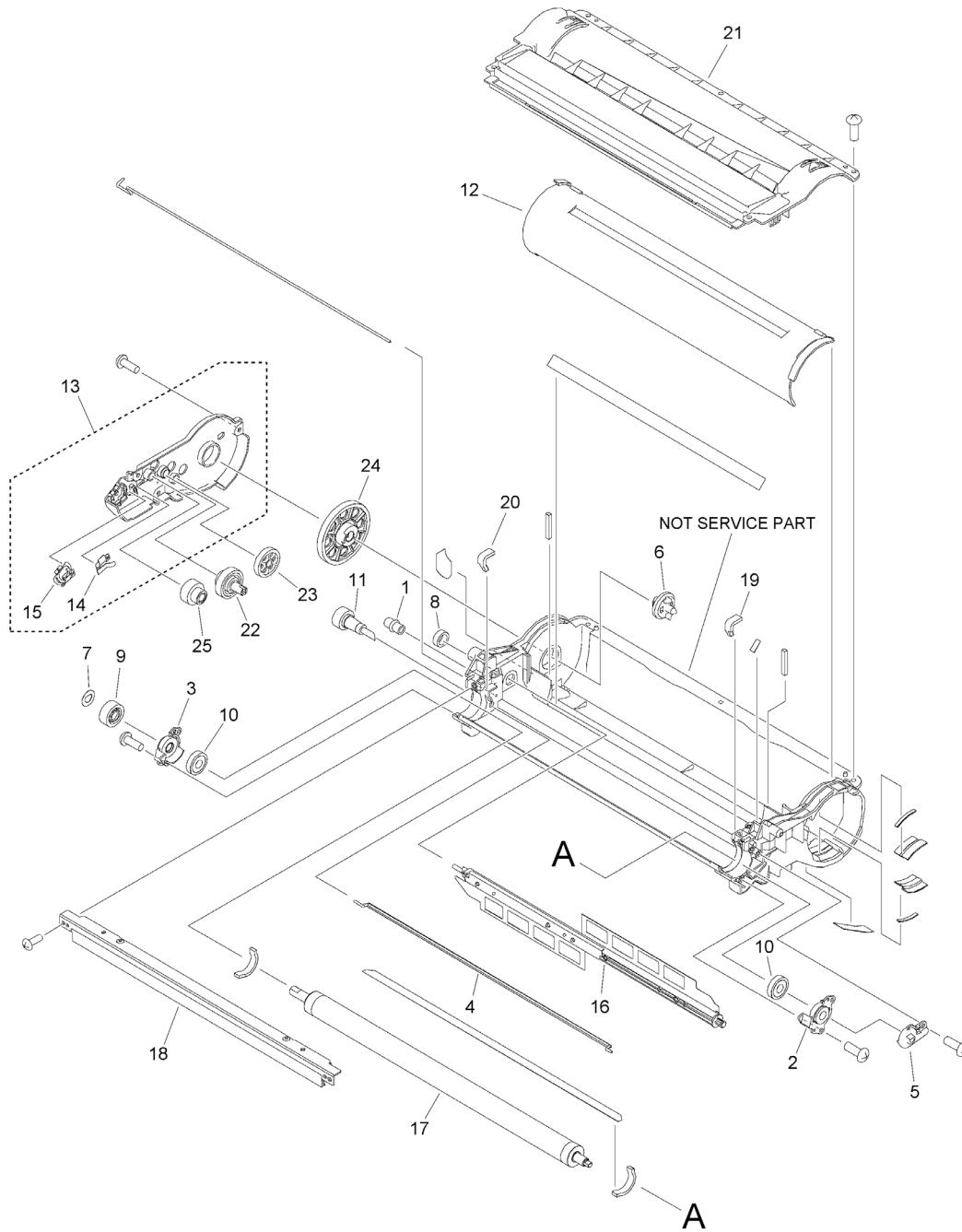




FIGURE & KEY NO.	PART NUMBER	RANK	QTY	DESCRIPTION	SERIAL NUMBER /REMARKS
640A	FM1-Z025-000		1	DEVELOPING ASSEMBLY	[DP]
1	FB6-6896-000		1	CAP, DEVELOPPING	
2	FL1-4006-000		1	BUSHING, SLEEVE, FRONT	
3	FL1-4005-000		1	BUSHING, SLEEVE, REAR	
4	FC6-4166-000		1	ROD, STEERING	
5	FC6-4168-000		1	GUIDE, POSITIONING, MAGNET	
6	FC6-4169-000		1	COUPLER	
7	FC6-4170-000		1	PLATE, TERMINAL, SLEEVE	
8	FC6-4173-000		1	RING, TONER SCATTER PREVENTION	
9	FU6-0765-000		1	GEAR, 32T	
10	FE3-3312-000		2	ROLLER	
11	FL2-3193-000		1	GEAR ASSEMBLY	
12	FL2-3197-000		1	SHUTTER ASSEMBLY	
13	FL2-3199-000		1	HOLDER, GEAR	
14	FC6-4163-000		1	PLATE, DETECTION	
15	FC6-4202-000		1	PLATE, TERMINAL	
16	FL1-6325-000		1	ROD, STEERING	
17	FM1-B028-000		1	DEVELOPING SLEEVE UNIT	
18	FL0-6467-000		1	DEVELOPING BLADE UNIT	
19	FC6-4176-000		1	PAD, SIDE, FRONT	
20	FC6-4177-000		1	PAD, SIDE, REAR	
21	FM2-3287-000		1	LID, DEVELOPING	
22	FU6-0761-000		1	GEAR, 41T	
23	FU6-0762-000		1	GEAR, 31T	
24	FU6-0763-000		1	GEAR, 70T	
25	FU6-0764-000		1	GEAR, 31T/19T	

Figure 810A FIXING ASSEMBLY

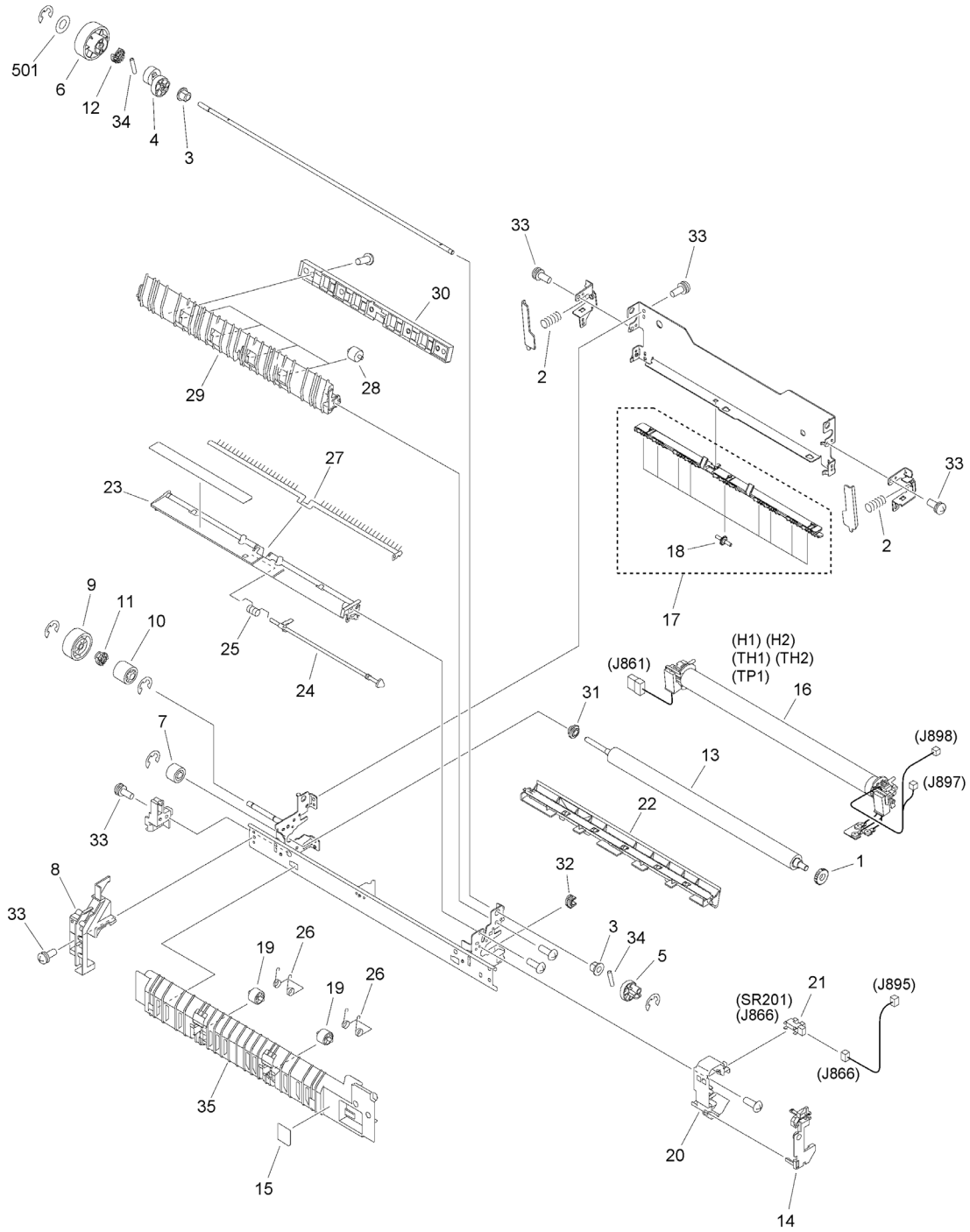
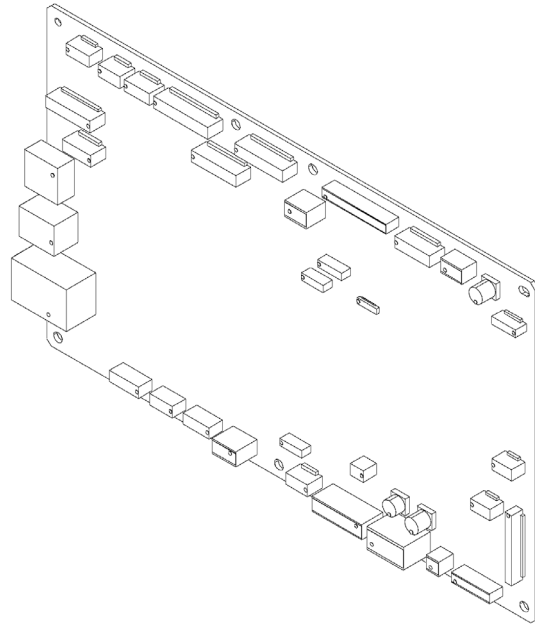


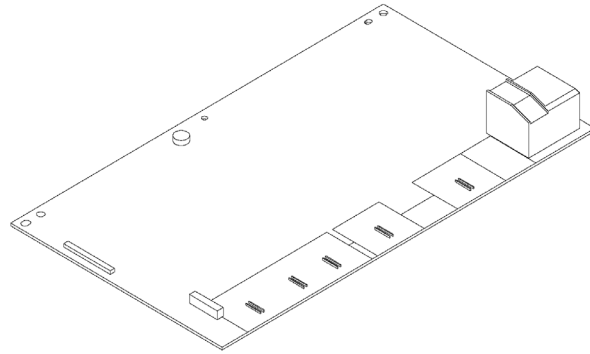
FIGURE & KEY NO.	PART NUMBER	RANK	QTY	DESCRIPTION	SERIAL NUMBER /REMARKS
810A	FM1-V233-010		1	FIXING ASSEMBLY	[DP]
1	FC5-4860-000		1	RUBBER RING,CONDUCTIVE	
2	FE3-3210-000		2	SPRING, COMPRESSION	
3	FE2-B847-000		2	BUSHING	
4	FE3-3213-000		1	CAM, RELEASE, LEFT	
5	FE3-3214-000		1	CAM, RELEASE, RIGHT	
6	FE3-3215-000		1	GEAR, 51T	
7	FE3-3222-000		1	GEAR, 23T	
8	FE2-B845-000		1	COVER, GEAR	
9	FE3-3236-000		1	GEAR, 41T	
10	FE3-3237-000		1	GEAR, 27T	
11	FE3-3247-000		1	CAM	
12	FE3-3249-000		1	CAM	
13	FE3-3258-000		1	ROLLER, PRESSURE	
14	FE3-3279-000		1	COVER, CABLE GUIDE	
15	FE3-3284-000		1	LABEL, DRUM CAUTION	
16	FM1-B335-010		1	FIXING FILM ASSEMBLY	H1, H2, TH1, TH2, TP1
17	FM1-V238-000		1	GUIDE UNIT, FIXING ENTRANCE, 1	
18	FC6-4375-000		9	ROWEL	
19	FE2-B863-000		2	COLLAR, FIXING DELIVERY	
20	FE3-3227-000		1	GUIDE, CABLE	
21	WG8-5935-000		1	IC, PHOTO INTERRUPTER	SR201
22	FM1-V240-000		1	GUIDE UNIT, FIXING ENTRANCE, 2	
23	FE3-3231-000		1	GUIDE, DELIVERY, LOWER	
24	FE2-B839-000		1	LEVER, SENSOR	
25	FE3-3267-000		1	SPRING, TORSION	
26	FE3-3254-000		2	SPRING, TORSION	
27	FM1-B347-000		1	ELIMINATOR, STATIC CHARGE	
28	FC9-0772-000		4	ROLLER, FIXING DELIVERY, CENTER	
29	FE3-3235-000		1	GUIDE, DELIVERY, UPPER	
30	FE3-3285-000		1	GUIDE, DELIVERY ROLLER	
31	FE8-4791-000		1	BUSHING	
32	FE8-4790-000		1	BUSHING	
33	XA9-2006-000		11	SCREW, W/WASHER, M3X6	
34	XD9-0333-000		2	PIN, PARALLEL	
35	FE3-3253-000		1	COVER, FIXING, FRONT	
501	XD1-1106-225		1	WASHER, COP	

Figure 900 CONTROLLER PCB ASSEMBLY



<b>FIGURE &amp; KEY NO.</b>	<b>PART NUMBER</b>	<b>R A N K</b>	<b>QTY</b>	<b>DESCRIPTION</b>	<b>SERIAL NUMBER /REMARKS</b>
900	FM2-Q820-000		1	CONTROLLER PCB ASSEMBLY	

Figure 930 H. V. TRANSFER PCB ASSEMBLY



<b>FIGURE &amp; KEY NO.</b>	<b>PART NUMBER</b>	<b>R A N K</b>	<b>QTY</b>	<b>DESCRIPTION</b>	<b>SERIAL NUMBER /REMARKS</b>
930	FM2-P913-000		1	H.V. TRANSFER PCB ASSEMBLY	

Figure B01 ADF MOUNTING ASSEMBLY (ADF model)

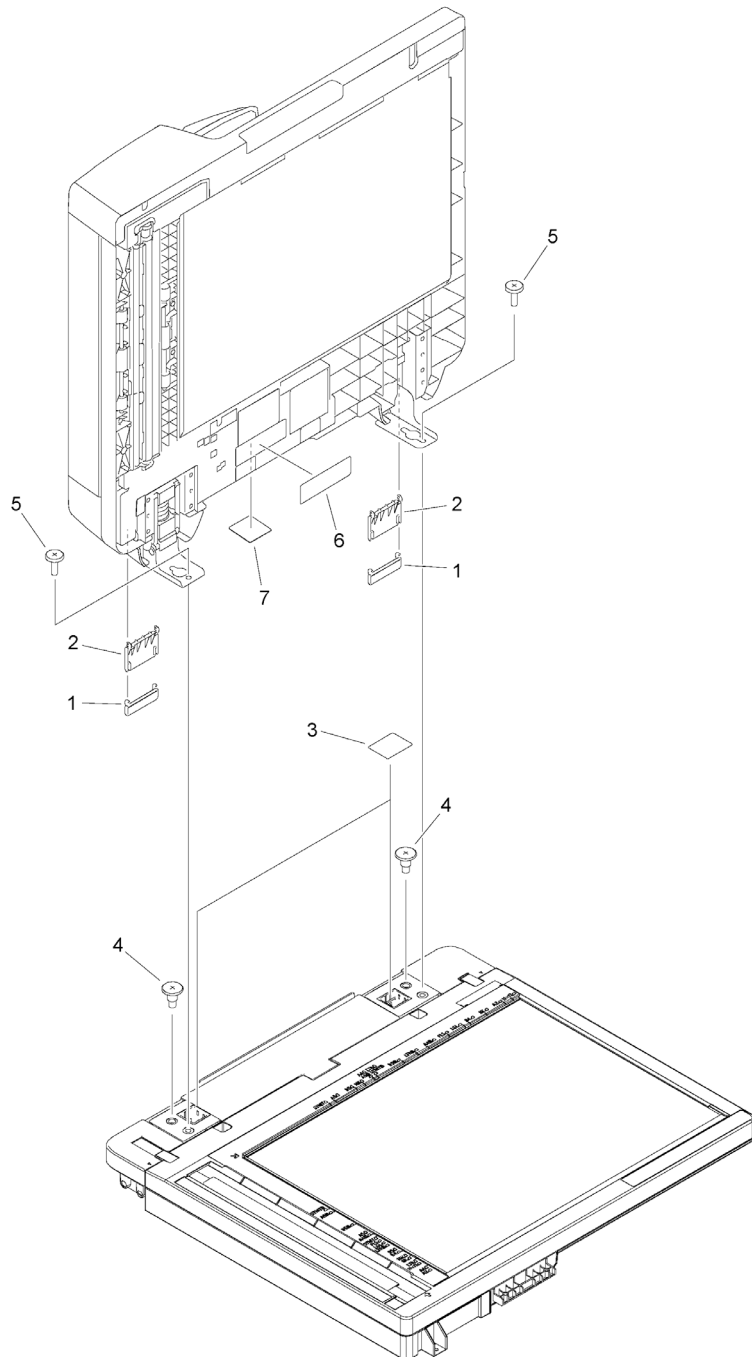




FIGURE & KEY NO.	PART NUMBER	RANK	QTY	DESCRIPTION	SERIAL NUMBER /REMARKS
B01	NPN		RF	ADF MOUNTING ASSEMBLY	ADF model
1	FE8-1491-000		2	COVER, HINGE, 1	
2	FE8-1492-000		2	COVER, HINGE, 2	
3	FL4-2680-000		2	SHEET, HINGE HOLE	
4	FU5-9139-000		2	SCREW, STEPPED, M5X6	
5	FU5-9167-000		2	SCREW, FIXED, M4	
6	FE2-H828-000		1	LABEL, HINGE CAUTION, A	
7	FE2-H830-000		1	LABEL, HINGE CAUTION, C	

Figure B10 INTERNAL COMPONENTS (ADF model)

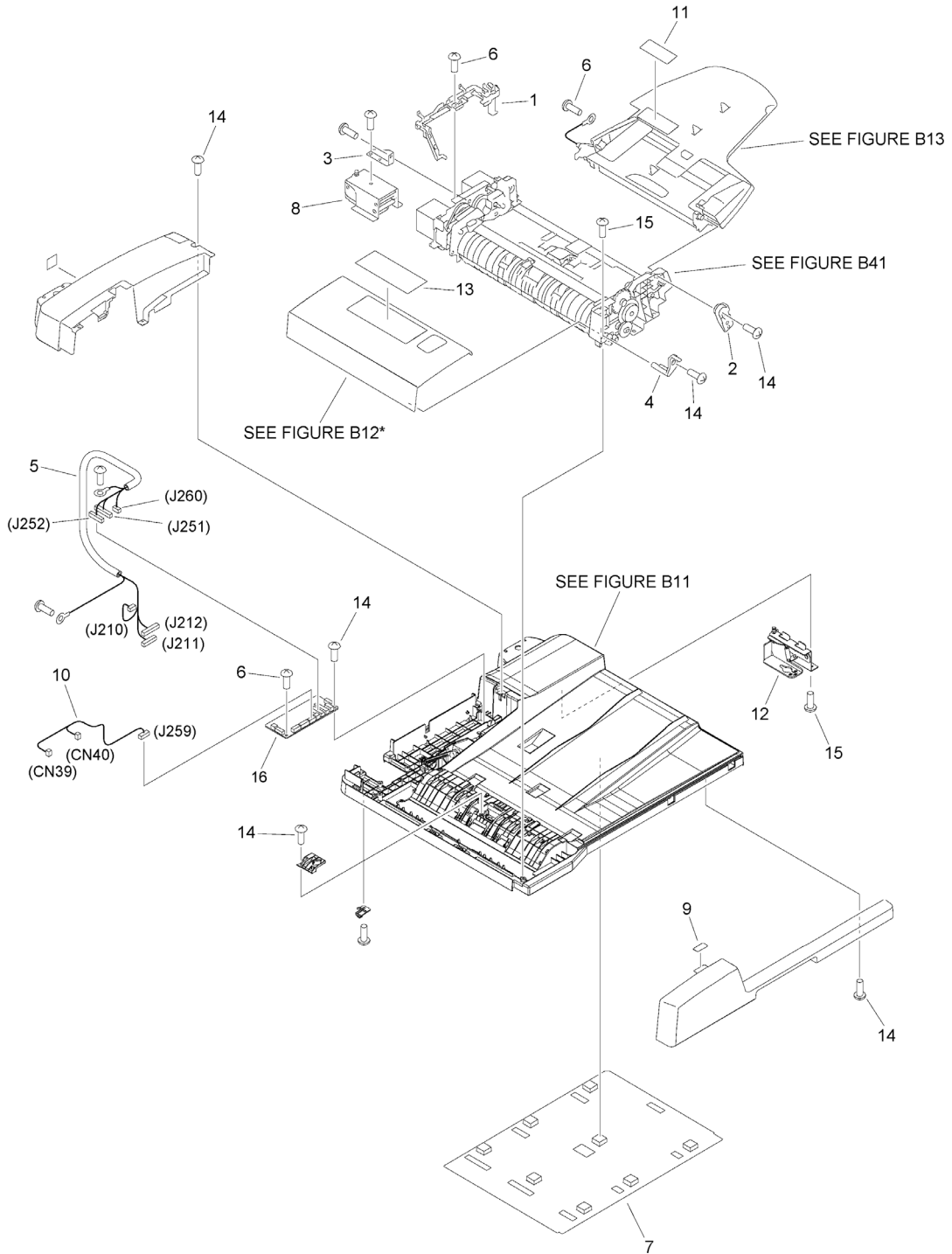


FIGURE & KEY NO.	PART NUMBER	RANK	QTY	DESCRIPTION	SERIAL NUMBER /REMARKS
B10	NPN		RF	INTERNAL COMPONENTS	ADF model
1	FC3-1468-000		1	HOLDER, HARNESS	
2	FC3-1492-000		1	HOLDER, TRAY SHAFT	
3	FC3-1496-000		1	BRACKET, SUPPORT	
4	FC9-9558-000		1	HOLDER, FEEDER SHAFT	
5	FM2-Q811-000		1	CABLE, INTERFACE	
6	FS2-9567-000		3	SCREW, M3X6	
7	FF3-4624-000		1	PANEL, COPYBOARD	
8	FC8-0633-000		1	HINGE	
9	FS9-0203-010		1	LABEL, DIAL OPERATION	
10	FM4-3616-010		1	CABLE, OPEN/CLOSE SENSOR	
11	FE2-D045-000		1	LABEL, DOCUMENT SIZE	
12	FG3-4039-000		1	HINGE UNIT (RIGHT)	
13	FE2-D044-000		1	LABEL, ADF INDICATION	
14	FS2-9569-000		9	SCREW, M3X10	
15	FS2-9571-000		13	SCREW, M4X12	
16	FM2-K852-000		1	ADF PCB ASSEMBLY	

Figure B11 BASE ASSEMBLY (ADF model)

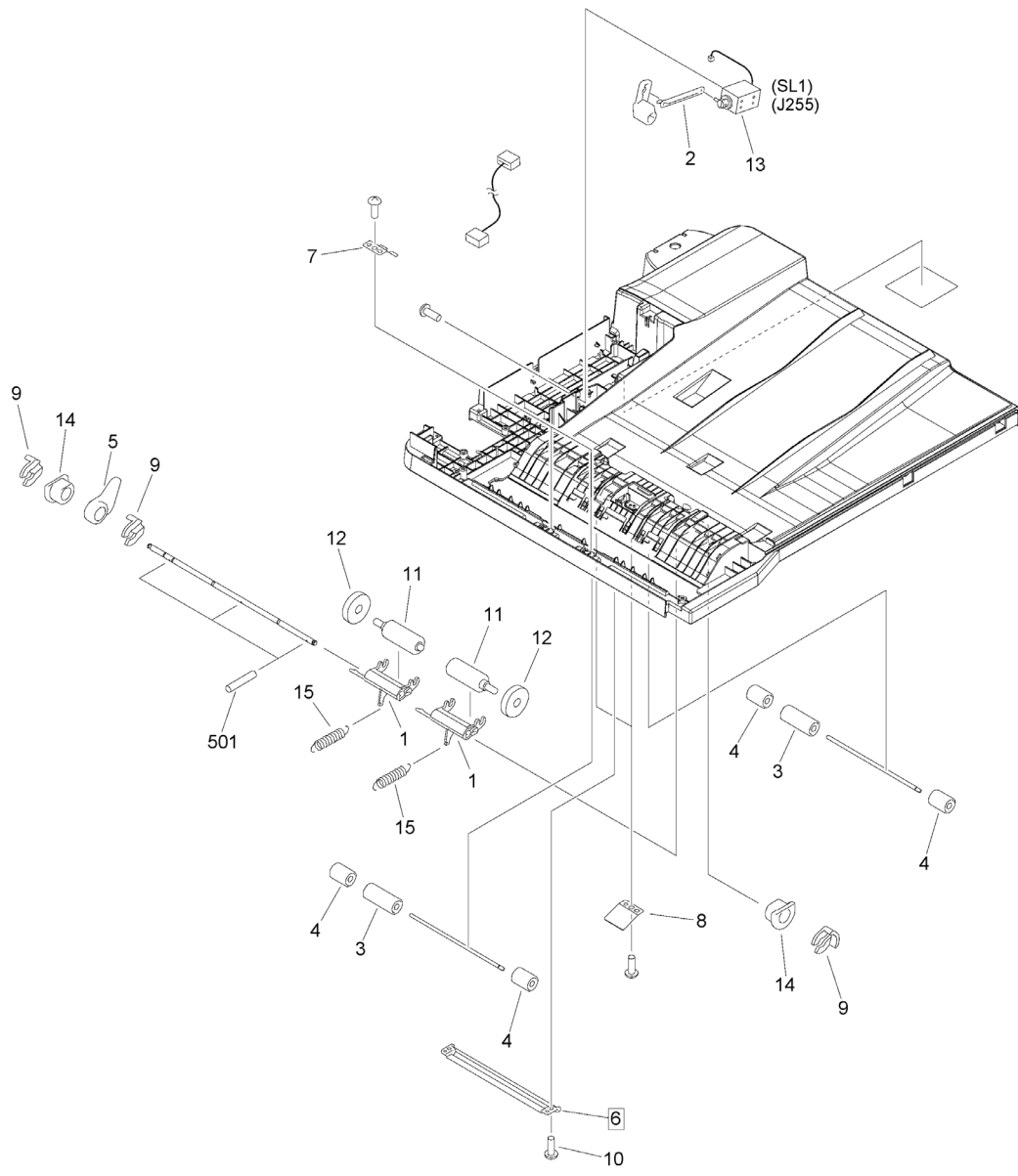


FIGURE & KEY NO.	PART NUMBER	RANK	QTY	DESCRIPTION	SERIAL NUMBER /REMARKS
B11	NPN		RF	BASE ASSEMBLY	ADF model
1	FC3-1450-000		2	HOLDER, DELIVERY RELEASE	
2	FC3-1452-000		1	ARM, SOLENOID	
3	FC3-1454-000		2	ROLLER, PAPER FEED, 1	
4	FC3-1455-000		4	ROLLER, PAPER FEED, 2	
5	FC3-1491-000		1	ARM, DELIVERY RELEASE	
6	FL1-0304-000		1	COVER, FEED	[DP]
7	FC3-1497-000		2	SPRING, LEAF	
8	FC3-1498-000		2	SPRING, LEAF	
9	FC5-4425-000		3	CLIP	
10	FS2-9569-000		2	SCREW, M3X10	
11	FC3-1451-000		2	ROLLER	
12	FC8-6419-000		2	DAMPER, DELIVERY	
13	FH6-5136-000		1	SOLENOID	SL1
14	FU6-1222-000		2	BUSHING, DELIVERY RELEASE	
15	FS4-2743-000		2	SPRING	
501	XD9-0288-000		3	PIN, DOWEL	

Figure B12A OPEN/CLOSE COVER ASSEMBLY (ADF model)

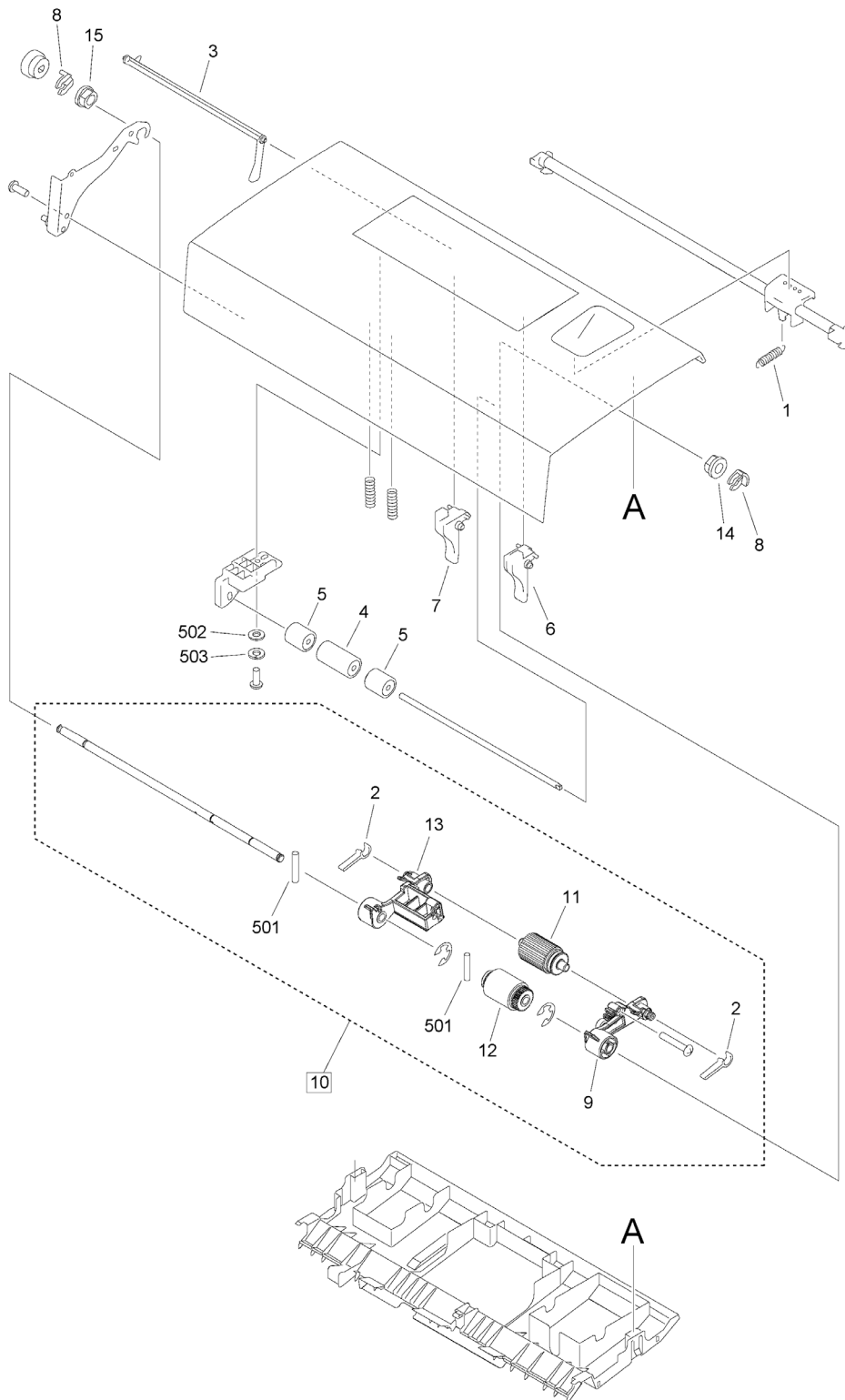


FIGURE & KEY NO.	PART NUMBER	RANK	QTY	DESCRIPTION	SERIAL NUMBER /REMARKS
B12A	FM1-L718-000		1	OPEN/CLOSE COVER ASSEMBLY	ADF model
1	FS4-2754-000		1	SPRING, TENSION	
2	FC9-9561-000		2	STOPPER	
3	FC3-1478-000		1	LEVER, SENSOR	
4	FC3-1479-000		1	ROLLER, REGISTRATION, 1	
5	FC3-1480-000		2	ROLLER REGISTRATION, 2	
6	FC9-9559-000		1	SHUTTER, FRONT	
7	FC9-9560-000		1	SHUTTER, REAR	
8	FC5-4425-000		2	CLIP	
9	FG3-4041-000		1	PICK-UP ARM UNIT, FRONT	
10	FG3-4043-000		1	PICK-UP ROLLER ASSEMBLY	[DP]
11	FC3-1525-000		1	ROLLER, PICK-UP	
12	FG3-4044-000		1	SEPARATION ROLLER UNIT	
13	FG3-4045-000		1	PICK-UP ARM UNIT, REAR	
14	FS2-1708-000		1	BUSHING	
15	FS2-1710-000		1	BUSHING	
501	XD9-0288-000		2	PIN, DOWEL	
502	XD1-2100-305		1	PLAIN WASHER	
503	XD1-3100-305		1	WASHER,SPRING,S	

Figure B13 DOCUMENT TRAY ASSEMBLY (ADF model )

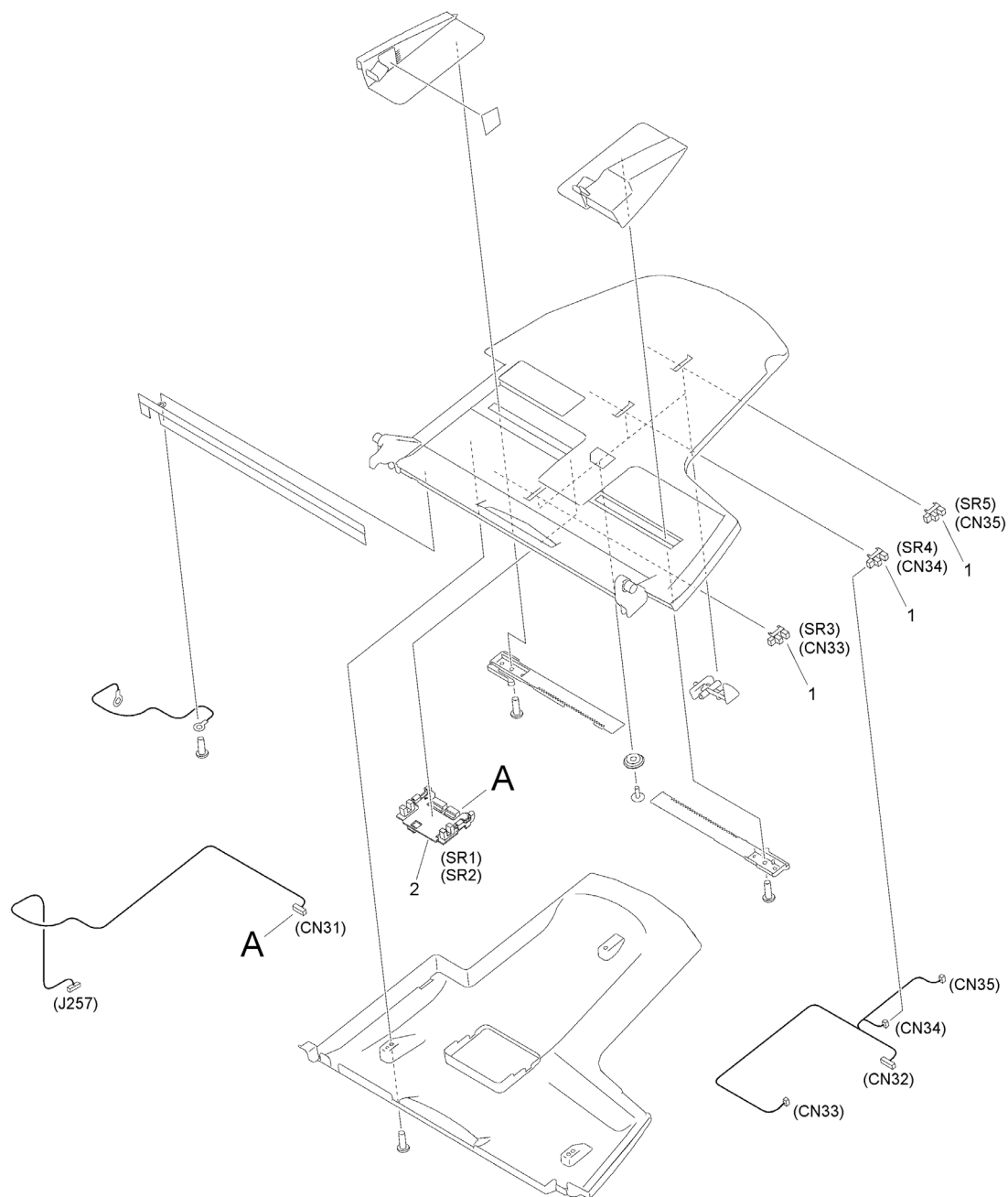




FIGURE & KEY NO.	PART NUMBER	RANK	QTY	DESCRIPTION	SERIAL NUMBER /REMARKS
B13	FM1-Y392-000		1	DOCUMENT TRAY ASSEMBLY	ADF model
1	WG8-5935-000		3	IC, PHOTO INTERRUPTER	SR3, SR4, SR5
2	FM1-E986-000		1	CONNECTING PCB ASSEMBLY	SR1, SR2

Figure B41 PAPER FEEDER ASSEMBLY (ADF model)

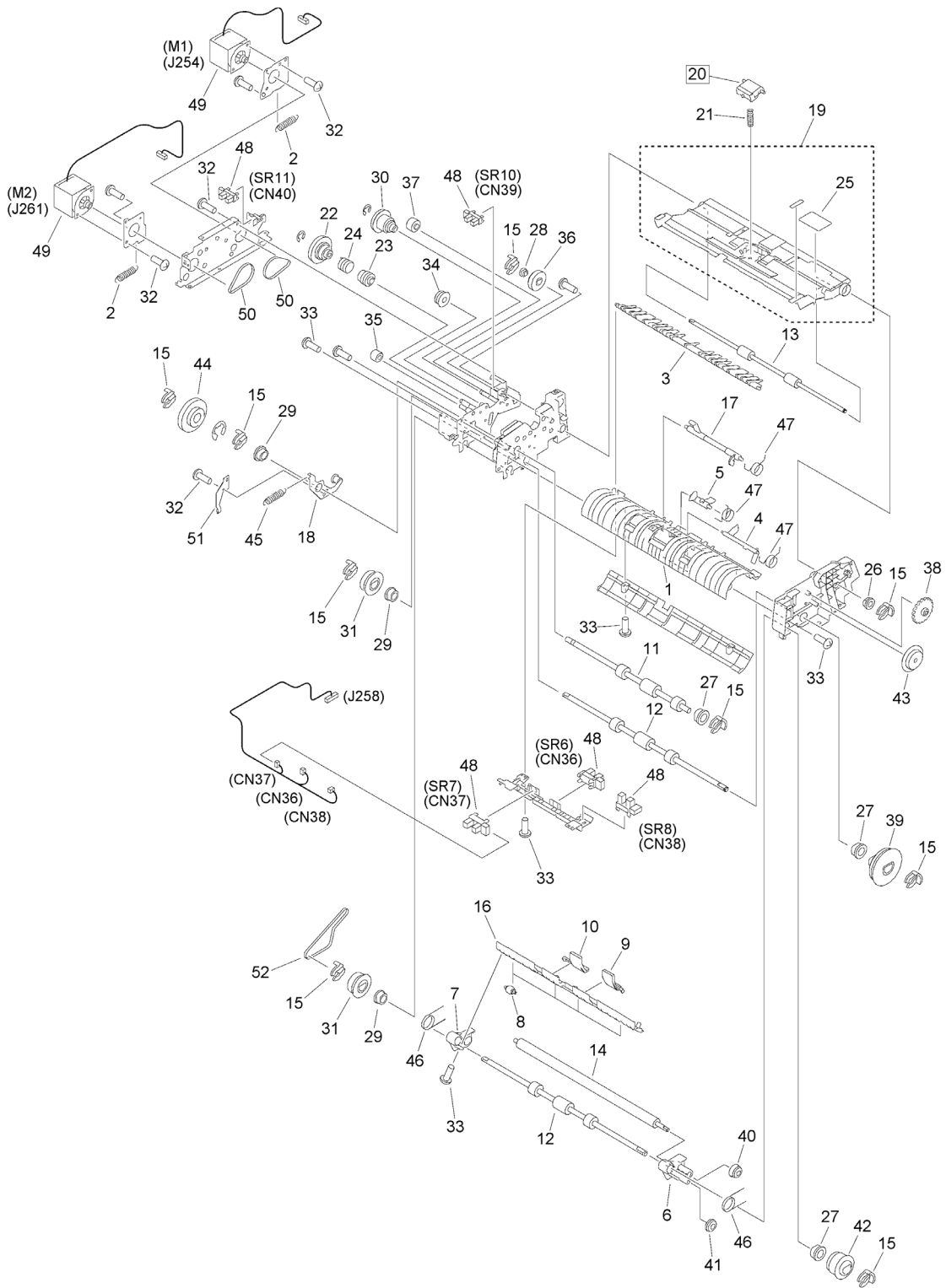


FIGURE & KEY NO.	PART NUMBER	RANK	QTY	DESCRIPTION	SERIAL NUMBER /REMARKS
B41	FM1-L701-010		1	PAPER FEEDER ASSEMBLY	ADF model
1	FC3-1460-000		1	GUIDE, FEEDER	
2	FS4-2749-000		2	SPRING, TENSION	
3	FC3-1463-000		1	FLAPPER	
4	FC3-1465-000		1	FLAG, READ SENSOR	
5	FC3-1466-000		1	FLAG, DELIVERY REVERSE SENSOR	
6	FC3-1469-000		1	ARM, PLATEN, FRONT	
7	FC3-1470-000		1	ARM, PLATEN, REAR	
8	FC6-8973-000		4	ROLLER, PLATEN	
9	FC3-1493-000		1	SPACER, PLATEN, FRONT	
10	FC3-1494-000		1	SPACER, PLATEN, REAR	
11	FC3-1509-000		1	ROLLER, REGISTRATION, 1	
12	FC3-1510-000		2	ROLLER, READ	
13	FC3-1511-000		1	ROLLER, DELIVERY REVERSE	
14	FC3-1512-000		1	ROLLER, WHITE	
15	FC5-4425-000		9	CLIP	
16	FL1-0305-000		1	PLATEN GUIDE UNIT	
17	FF3-4636-000		1	REGISTRATION SENSOR UNIT	
18	FG3-4040-000		1	TENSION ROLLER UNIT	
19	FF3-4631-010		1	REVERSE GUIDE UNIT	
20	FL3-3239-000		1	PAD, SEPARATION	[DP]
21	FS4-2746-000		1	SPRING, COMPRESSION	
22	FS2-3885-000		1	PULLEY, 57T, GEAR, 23T	
23	FS4-0645-000		1	GEAR, 16T	
24	FS4-2752-000		1	SPRING, TENSION	
25	FS9-0204-010		1	LABEL, JAM CLEARING OPERATION	
26	FS2-1708-000		1	BUSHING	
27	FS2-1709-000		3	BUSHING	
28	FU5-1172-000		1	BUSHING	
29	FS2-1711-000		3	BUSHING	
30	FS2-3886-000		1	PULLEY, 57T/19T, GEAR, 23T	
31	FU9-0087-000		2	PULLEY, 27T	
32	FS2-9567-000		7	SCREW, M3X6	
33	FS2-9569-000		10	SCREW, M3X10	
34	FS4-0644-000		1	GEAR, 16T	
35	FS4-0646-000		1	GEAR, 19T	
36	FS4-0647-000		1	GEAR, 25T	
37	FS4-0648-000		1	GEAR, 23T	
38	FS4-0649-000		1	DIAL	
39	FS4-0650-000		1	GEAR, 31T	
40	FS4-0651-000		1	GEAR, 14T	
41	FS4-0652-000		1	GEAR, 15T	
42	FS4-0653-000		1	GEAR, 18T	
43	FS4-0659-000		1	GEAR, 54T/39T	

FIGURE & KEY NO.	PART NUMBER	RANK	QTY	DESCRIPTION	SERIAL NUMBER /REMARKS
44	FU9-0090-000		1	GEAR, 33T	
45	FS4-2744-000		1	SPRING, TENSION	
46	FS4-2745-000		2	SPRING, TORSION	
47	FS4-2753-000		3	SPRING, TORSION	
48	WG8-5935-000		5	IC, PHOTO INTERRUPTER	SR6, SR7, SR8, SR10, SR11
49	FK2-9425-000		2	MOTOR, STEPPING	M1, M2
50	XF2-1607-240		2	BELT, TIMING	
51	FC3-1568-000		1	PLATE, GROUNDING	
52	XF2-1611-740		1	BELT, TIMING	

Figure D10 COPYBOARD COVER ASSEMBLY (COPYBOARD model)

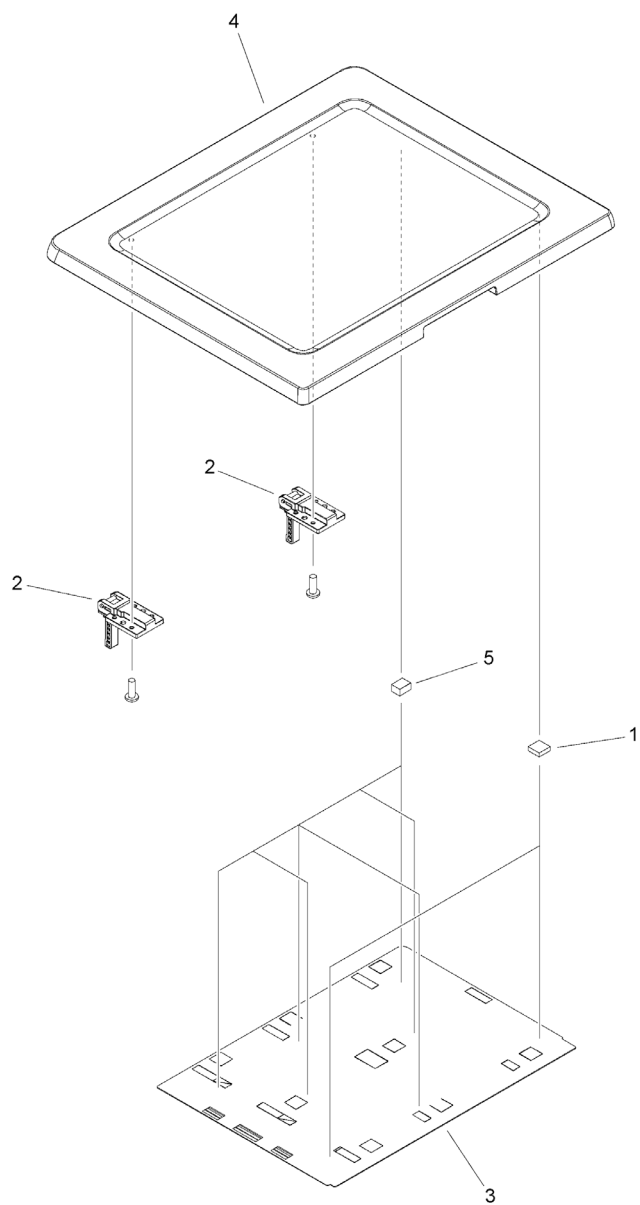


FIGURE & KEY NO.	PART NUMBER	RANK	QTY	DESCRIPTION	SERIAL NUMBER /REMARKS
D10	NPN		RF	COPYBOARD COVER ASSEMBLY	COPYBOARD model
1	FC6-4509-000		2	SPONGE, 2	
2	FC9-7759-000		2	HINGE, COPYBOARD	
3	FE2-E017-000		1	COVER, COPYBOARD	
4	FE2-E476-000		1	COVER, PLATEN	
5	FL0-3983-000		6	DAMPER, PLATE, 1	

Figure M20 DUPLEX FEEDER ASSEMBLY

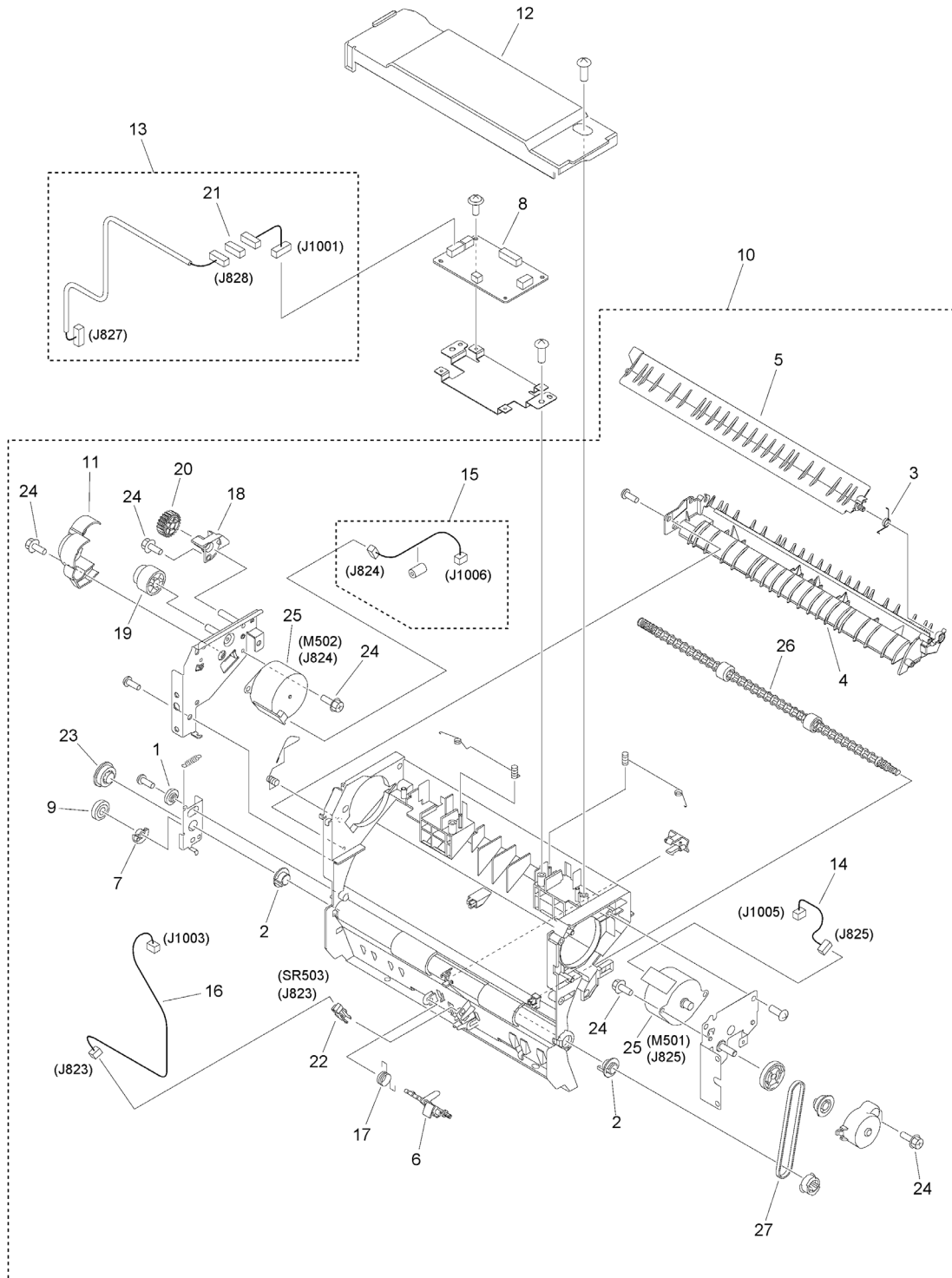


FIGURE & KEY NO.	PART NUMBER	RANK	QTY	DESCRIPTION	SERIAL NUMBER /REMARKS
M20	NPN		RF	DUPLEX FEEDER ASSEMBLY	
1	FC6-4413-000		1	SPACER, FRAME, FEED	
2	FC6-6758-000		2	BUSHING	
3	FE3-2792-000		1	SPRING, TORSION	
4	FE3-2823-000		1	GUIDE, FLAPPER SUPPORT	
5	FE2-K418-000		1	DEFLECTOR, REVERSE	
6	FE3-2827-000		1	FLAG, SENSOR	
7	FE3-2832-000		1	ROLLER	
8	FM2-P914-000		1	DUPLEX DRIVER PCB ASSY	
9	FE3-2834-000		1	GEAR, 18T	
10	FM2-A183-000		1	DUPLEXING FEED ASSEMBLY	
11	FE3-2839-000		1	COVER, DUPLEX, REAR	
12	FE3-2840-000		1	COVER, DUPLEX, UPPER	
13	FM1-C941-010		1	CABLE, DUPLEX RELAY	
14	FM1-C942-010		1	CABLE, DUPLEX MOTOR	
15	FM1-C943-010		1	CABLE, REVERSE MOTOR	
16	FM1-C944-010		1	CABLE, DUPLEX SENSOR	
17	FE3-2850-000		1	SPRING, TORSION	
18	FE3-2853-000		1	CLAMP, GEAR	
19	FE3-2854-000		1	GEAR, 47T/18T	
20	FE3-2855-000		1	GEAR, 23T	
21	VS1-7177-011		1	CONNECTOR, SNAP TIGHT, 11P, BK	
22	WG8-5935-000		1	IC, PHOTO INTERRUPTER	SR503
23	FE3-2863-000		1	GEAR, 19T	
24	XA9-1386-000		7	SCREW,RS,M3X8	
25	FK4-0513-000		2	MOTOR, STEPPING, DC	M501, M502
26	FL0-0702-000		1	ROLLER, FEED	
27	XF2-3611-640		1	BELT, TIMING	



## Figure ZZA MECHANICAL STANDARD PARTS (HOW TO USE)

### Mechanical standard parts 機械標準部品

#### About a mechanical standard parts

A Mechanical standard parts is a mechanical part which not parts peculiar to a product.  
They are parts which are common to a Canon product and are used, such as a screw and a washer.  
The Fig No. and parts number of the mechanical standard parts are not listed in the product parts catalog.  
Refer to the parts catalog of mechanical standard parts when checking the parts number for screw or washer etc. and identify them by part shape or size.

#### 機械標準部品とは

機械標準部品とは、製品特有の部品ではなく、ねじやワッシャなどキヤノン製品共通で使用されている機械部品（メカ部品）のことです。  
製品のパーツカタログには、機械標準部品のFig No.や部品番号は記載していません。  
ねじや、ワッシャ等の部品番号を調べるときは、機械標準部品のパーツカタログを参照し、部品の形状や大きさから判断し、使用している部品を調べてください。

#### Material and surface treatment of a mechanical standard parts

Material and surface treatment of mechanical standard parts are assigned commonly for each part.  
Refer to the Table 1 for the parts which material and surface treatment are assigned as numbers.

#### 機械標準部品の材料および表面処理

機械標準部品の材料および表面処理については、各種部品共通で決められています。  
材料および表面処理が番号で決められている部品については、表1を参照してください。

Table 1 Material and Surface treatment  
表1 材料および表面処理

No. 番号	Material 材料	Surface treatment 表面処理	Color 色
1	Stainless steel ステンレス	Stainless steel black coloring (BC4) ステンレス黒着色(BC4)	Black 黒
2		not to be given なし	White 白
3	Brass 黄銅	Regular nickel plating (NL) 普通ニッケルメッキ(NL)	White 白
4		Black nickel plating (BN) 黒色ニッケルメッキ(BN)	Black 黒
5	Steel 鋼	White zinc trivalent chromate treating (ZC3) 白色亜鉛3価クロメート(ZC3)	White 白
6		Regular nickel chromium plating (NC) 普通ニッケルクロムメッキ(NC)	White 白
7		Regular nickel plating (NL) 普通ニッケルメッキ(NL)	White 白
8		Iron and steel phosphating (P1) 鉄鋼燐酸塩処理(P1)	Black 黒
9		Black zinc trivalent chromate treating (BZ3) 黒色亜鉛3価クロメート(BZ3)	Black 黒

Figure ZZB (1/7)MECHANICAL STANDARD PARTS (SCREWS)

1. Screws  
ねじ

How to read Parts Numbers  
部品番号の見方

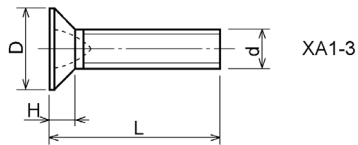
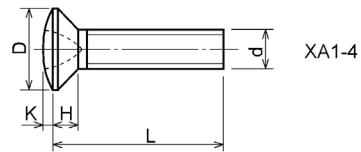
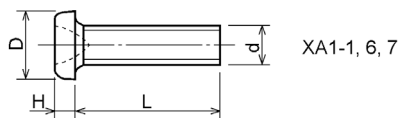
Screws  
ねじ

XB1-2400-609

Type No.  
類別番号  
Normal designation (d)  
ねじの呼び (d)  
Length (L)  
ねじの長さ (L)  
Material and Surface treatment  
材料および表面処理

XB1-2 expresses Binding head machine screw.  
XB1-2は、バインドねじを表す  
40 expresses M4.0.  
40は、M4.0を表す  
0-60 expresses a length of 6.0mm.  
0-60は、6.0mmの長さを表す  
9 expresses Steel (Black zinc trivalent chromate  
treating) from Table 1.  
9は、表1より鋼（黒色亜鉛3価クロメート）を表す

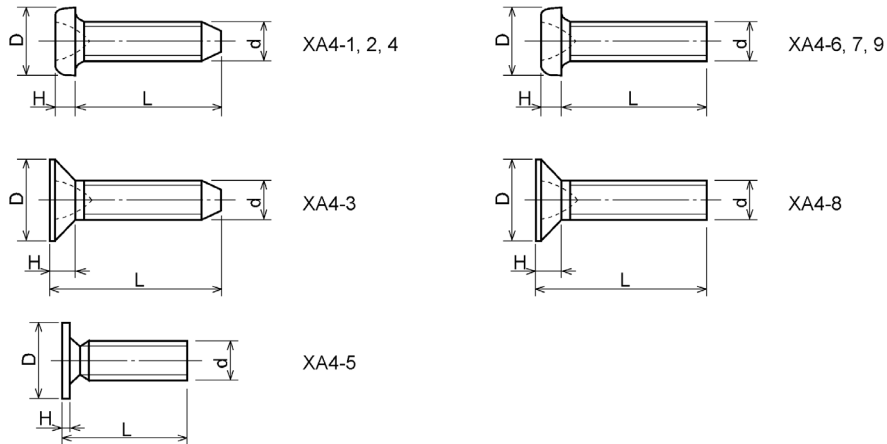
1-1. Cross Recessed Head Screws for Precision Equipments  
精密機器用十字穴付き小ねじ



Type No. 類別番号	Type 類別	Head size (mm) 頭部寸法 (mm)						
		M1.4	M1.6	M1.7	M2	M2.5	M2.6	
XA1-1	Pan head Class 1 なべ1種	D	2	2.4	2.5	3	3.8	4
		H	0.5	0.55	0.5	0.6	0.9	0.8
XA1-3	Countersunk head Class 1 さら1種	D	2	2.4	2.5	3	3.8	4
		H	0.48	0.55	0.58	0.73	0.85	0.93
XA1-4	Oval countersunk head Class 1 丸さら1種	D	2	2.4	2.5	3	3.8	4
		H + K	0.68	0.8	0.88	1	1.25	1.3
XA1-6	Pan head Class 3 なべ3種	D	2.5	2.8	3	3.5	4.3	4.5
		H	0.8	0.85	0.9	1	1.3	1.2
XA1-7	Pan head Class 2 なべ2種	D	2.5	2.8	3	3.5	4.3	4.5
		H	0.5	0.55	0.5	0.6	0.9	0.8

Figure ZZB (2/7) MECHANICAL STANDARD PARTS (SCREWS)

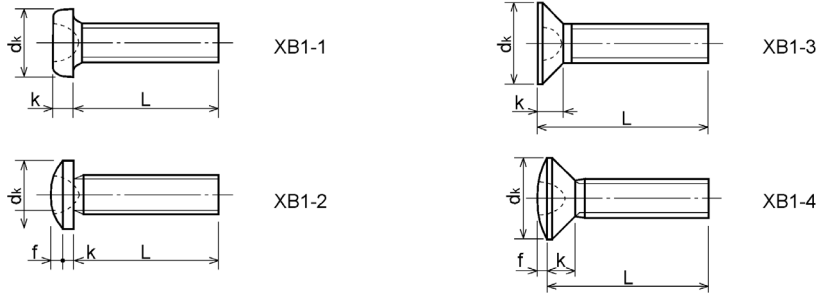
1-2. Precision Tapping Screws  
精密用タッピンねじ



Type No. 類別番号	Type 類別	Head size (mm) 頭部寸法 (mm)						
		M1.4	M1.6	M1.7	M2	M2.5	M2.6	
XA4-1	With tapered end pan head Class 1 絞り-なべ1種	D XA4-1	2	2.4	2.5	3	3.8	4
		H XA4-1	0.5	0.55	0.5	0.6	0.9	0.8
XA4-2	With tapered end pan head Class 3 絞り-なべ3種	D XA4-2	2.5	2.8	3	3.5	4.3	4.5
		H XA4-2	0.8	0.85	0.9	1	1.3	1.2
XA4-3	With tapered end countersunk head 絞り-さら	D XA4-3	2	2.4	2.5	3	3.8	4
		H XA4-3	0.48	0.55	0.58	0.73	0.85	0.93
XA4-4	With tapered end pan head Class 2 絞り-なべ2種	D XA4-4	2.5	2.8	3	3.5	4.3	4.5
		H XA4-4	0.5	0.55	0.5	0.6	0.9	0.8
XA4-5	With parallel end ultra thin head ストレート-超薄頭	D XA4-5	2.5	2.8	3	-	-	-
		H XA4-5	0.2	0.2	0.2	-	-	-
XA4-6	With parallel end pan head Class 1 ストレート-なべ1種	D XA4-6	2	2.4	2.5	3	3.8	4
		H XA4-6	0.5	0.55	0.5	0.6	0.9	0.8
XA4-7	With parallel end pan head Class 3 ストレート-なべ3種	D XA4-7	2.5	2.8	3	3.5	4.3	4.5
		H XA4-7	0.8	0.85	0.9	1	1.3	1.2
XA4-8	With parallel end countersunk head ストレート-さら	D XA4-8	2	2.4	2.5	3	3.8	4
		H XA4-8	0.48	0.55	0.58	0.73	0.85	0.93
XA4-9	With parallel end pan head Class 2 ストレート-なべ2種	D XA4-9	2.5	2.8	3	3.5	4.3	4.5
		H XA4-9	0.5	0.55	0.5	0.6	0.9	0.8

Figure ZZB (3/7)MECHANICAL STANDARD PARTS (SCREWS)

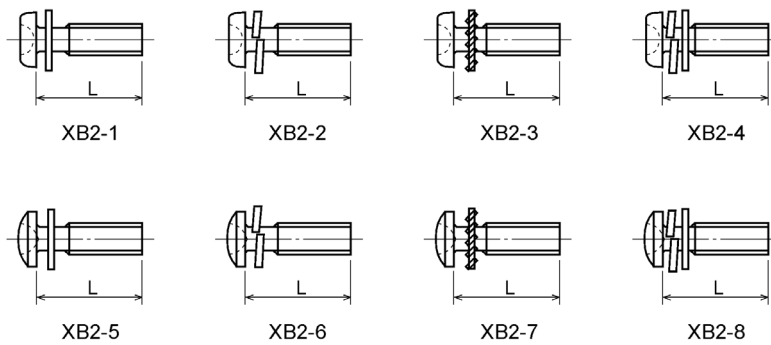
1-3. Cross Recessed Head Screws  
一般用十字穴付き小ねじ



Type No. 類別番号	Type 類別	Head size (mm) 頭部寸法 (mm)						
		M2	M2.5	M2.6	M3	M4	M5	
XB1-1	Pan head なべ	dk XB1-1	3.5	4.5	4.5	5.5	7	9
		k XB1-1	1.3	1.7	1.7	2	2.6	3.3
XB1-2	Binding head バインド	dk XB1-2	4.3	5.3	5.5	6.3	8.3	10.3
		k+f XB1-2	1.2	1.5	1.6	1.9	2.5	3.1
XB1-3	Countersunk head さら	dk XB1-3	4	5	-	6	8	10
		k XB1-3	1.2	1.45	-	1.75	2.3	2.8
XB1-4	Oval countersunk head 丸さら	dk XB1-4	4	5	-	6	8	10
		k+f XB1-4	1.6	2	-	2.45	3.2	4
		Screw part length ねじ部長さ b	8	12	12	12	16	20

Figure ZZB (4/7) MECHANICAL STANDARD PARTS (SCREWS)

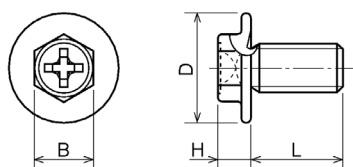
1-4. Cross Recessed Head Screws with Captive Washer  
座金組込み十字穴付き小ねじ



Type No. 類別番号	Type 類別
XB2-1	Pan head + Plain washer (circular bright) なべねじ+平座金
XB2-2	Pan head + Spring washer なべねじ+ばね座金
XB2-3	Pan head + Toothed lock washer なべねじ+歯付座金
XB2-4	Pan head + Spring washer and plain washer (circular bright) なべねじ+(ばね+平)座金
XB2-5	Binding head + Plain washer (circular bright) バインドねじ+平座金
XB2-6	Binding head + Spring washer バインドねじ+ばね座金
XB2-7	Binding head + Toothed lock washer バインドねじ+歯付座金
XB2-8	Binding head + Spring washer and plain washer (circular bright) バインドねじ+(ばね+平)座金

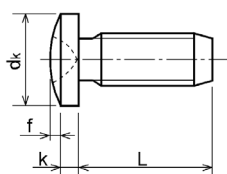
Figure ZZB (5/7) MECHANICAL STANDARD PARTS (SCREWS)

1-5. Hexagon Head Tapping Screws for Matallic Materials  
 金属用六角タッピンねじ



Type No. 類別番号	Type 類別	Head size (mm) 頭部寸法 (mm)		
		M3	M4	
XB3-6	For metallic materials 金属用タッピン	D	8	10
		B	5.5	5.5
XB3-7	For metallic materials with clawed 金属用タッピン-つめ付き	H XB3-6	3.1	3.1
		H XB3-7	3.2	3.2

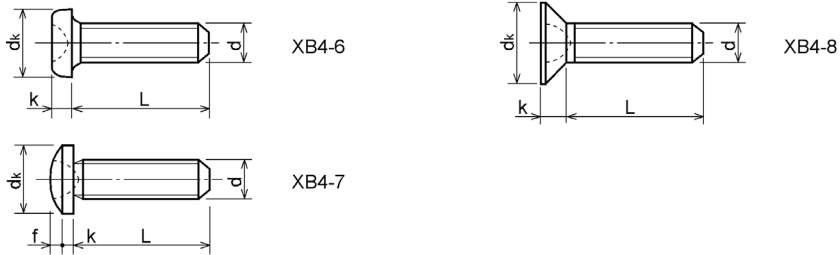
1-6. Special Tapping Screws  
 特殊タッピンねじ



Type No. 類別番号	Type 類別	Head size (mm) 頭部寸法 (mm)		
		M3	M4	
XB4-5	Binding head バインド	dk	6.3	8.3
		k	1.3	1.7
		k+f	1.9	2.5

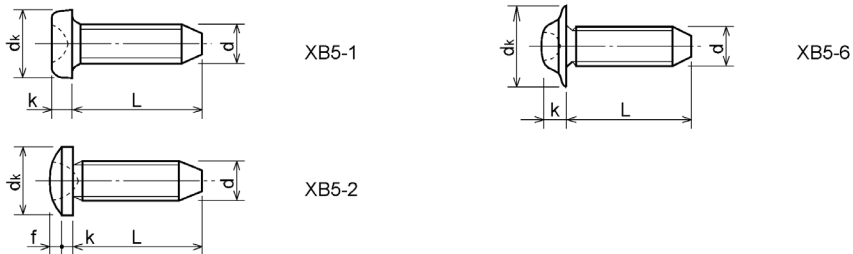
Figure ZZB (6/7) MECHANICAL STANDARD PARTS (SCREWS)

1-7. General Head Tapping Screws  
一般用タッピンねじ



Type No. 類別番号	Type 類別	Head size (mm) 頭部寸法 (mm)						
		M2	M2.5	M2.6	M3	M4	M5	
XB4-6	Pan head なべ	dk XB4-6	3.5	4.5	4.5	5.5	7	9
		k XB4-6	1.3	1.7	1.7	2	2.6	3.3
XB4-7	Binding head バインド	dk XB4-7	4.3	5.3	5.5	6.3	8.3	10.3
		k+f XB4-7	1.2	1.5	1.6	1.9	2.5	3.1
XB4-8	Countersunk head さら	dk XB4-8	4	5	5.2	6	8	10
		k XB4-8	1.2	1.45	1.5	1.75	2.3	2.8

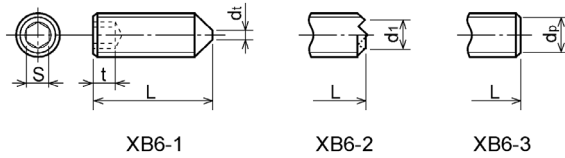
1-8. Tapping Screws for Metallic Materials  
金属用タッピンねじ



Type No. 類別番号	Type 類別	Head size (mm) 頭部寸法 (mm)					
		M2.5	M2.6	M3	M4	M5	
XB5-1	Pan head なべ	dk XB5-1	4.5	4.5	5.5	7	9
		k XB5-1	1.7	1.7	2	2.6	3.3
XB5-2	Binding head バインド	dk XB5-2	5.5	5.5	6.3	8.3	10.3
		k+f XB5-2	1.6	1.6	1.9	2.5	3.1
XB5-6	Flanged pan head つば付きなべ	dk XB5-6	6.5	6.5	8	10	12
		k XB5-6	2.1	2.1	1.75	3.2	4

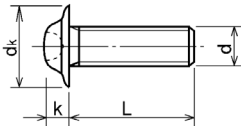
Figure ZZB (7/7) MECHANICAL STANDARD PARTS (SCREWS)

1-9. Hexagon Socket Set Screws  
六角穴付き止めねじ



Type No. 類別番号	Type 類別	Head size (mm) 頭部寸法 (mm)						
		M1.6 M1.7	M2	M2.5 M2.6	M3	M5	M5	M6
	S	0.7	0.9	1.3	1.5	2	2.5	3
	t	1.5	1.7	2	2	2.5	3	3.5
	dt max XB6-1	0.4	0.5	0.65	0.75	1	1.25	1.5
	d1 max XB6-2	-	1.2	1.5	1.7	2.2	2.8	3.3
	d1 min XB6-2	-	1	1.2	1.4	1.9	2.4	2.9
	dp max XB6-3	0.8	1	1.5	2	2.5	3.5	4
	dp min XB6-3	0.55	0.75	1.25	1.75	2.25	3.2	3.7

1-10. Flanged Pan Head Machine Screws  
つば付きなべ小ねじ



Type No. 類別番号	Type 類別	Head size (mm) 頭部寸法 (mm)				
		M2	M2.5 M2.6	M3	M5	M5
	dk	5	6.5	8	10	12
	k	1.7	2.1	2.5	3.2	4

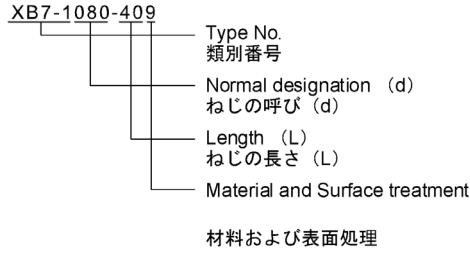


Figure ZZC MECHANICAL STANDARD PARTS (BOLTS)

2. Bolts (Socket head cap screw)  
ボルト

How to read Parts Numbers  
部品番号の見方

Bolt (Socket head cap screw)  
ボルト



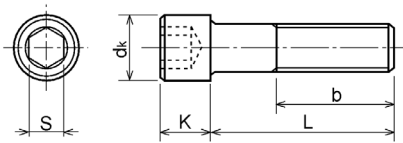
XB7-1 expresses Hexagon socket head cap screws.  
XB7-1は、六角穴付きボルトを表す

080 expresses M8.0.  
080は、M8.0を表す

40 expresses a length of 40mm.  
40は、40mmの長さを表す

9 expresses Steel (Black zinc trivalent chromate treating) from Table 1.  
9は、表1より鋼（黒色亜鉛3価クロメート）を表す

2-1. Hexagon socket head cap screws  
六角穴付きボルト



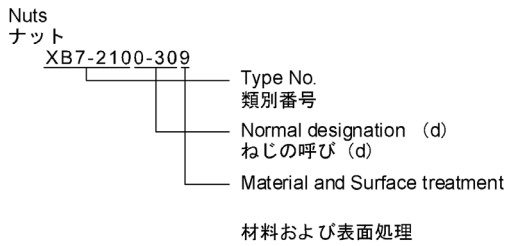
Type No. 類別番号	Type 類別
XB7-1	Hexagon socket head cap screws 六角穴付きボルト

	Head size (mm) 頭部寸法 (mm)						
	M3	M4	M5	M6	M8	M10	M12
S	2.5	3	4	5	6	8	10
d <sub>k</sub>	5.5	7	8.5	10	13	16	18
K	3	4	5	6	8	10	12
Screw part length ねじ部長さ b <sub>max</sub>	18	20	22	24	28	32	36

Figure ZZD MECHANICAL STANDARD PARTS (NUTS)

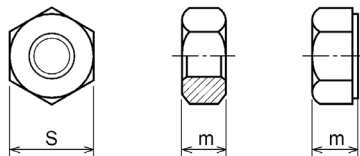
3. Nuts  
ナット

How to read Parts Numbers  
部品番号の見方



XB7-210 expresses Hexagon nut class 1.  
XB7-210は、六角ナット1種を表す  
0-30 expresses M3.0.  
0-30は、M3.0を表す  
9 expresses Steel (Black zinc trivalent chromate  
treating) from Table 1.  
9は、表1より鋼（黒色亜鉛3価クロメート）を表す

3-1. Hexagon Nuts and Hexagon Thin Nuts  
六角ナット



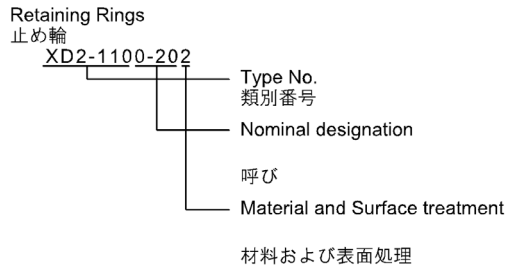
Type No. 類別番号	Type 類別
XB7-210	Hexagon nut Class 1 六角ナット-1種
XB7-220	Hexagon nut Class 3 六角ナット-3種
XB7-230	Hexagon nut Style 1 double chamfered 六角ナット-スタイル1-両面とり
XB7-231	Hexagon nut Style 1 washer faced 六角ナット-スタイル1-座付き
XB7-240	Hexagon nut Style 2 double chamfered 六角ナット-スタイル2-両面とり
XB7-241	Hexagon nut Style 2 washer faced 六角ナット-スタイル2-座付き
XB7-250	Hexagon nut 六角ナット
XB7-260	Hexagon thin nut double chamfered 六角低ナット-両面とり
XB7-270	Hexagon thin nut not chamfered 六角低ナット-面とり無し

	Head size (mm) 頭部寸法 (mm)						
	M2	M2.5	M3	M4	M5	M6	M8
S	4	5	5.5	7	8	10	13
m XB7-210	1.6	2	2.4	3.2	4	5	6.5
m XB7-220	1.2	1.6	1.8	2.4	3.2	3.6	5
m XB7-230, 231	1.6	2	2.4	3.2	4.7	5.2	6.8
m XB7-240, 241	-	-	-	-	5.1	5.7	7.5
m XB7-250	-	-	-	-	5.6	6.1	7.9
m XB7-260	1.2	1.6	1.8	2.2	2.7	3.2	4
m XB7-270	1.2	1.6	1.8	2.2	2.7	3.2	4

Figure ZZE (1/3)MECHANICAL STANDARD PARTS (RETAINING RINGS)

5. Retaining Rings  
止め輪

How to read Parts Numbers  
部品番号の見方

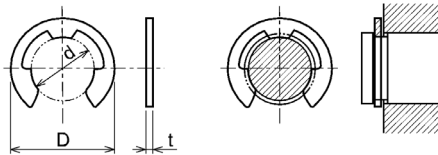


XD2-110 expresses retaining ring-E type (Type1).  
XD2-110は、E形止め輪（1種）を表す

0-20 expresses a 020 of nominal designation.  
(See Table 5)  
0-20は、呼び020を表す（表5参照）

2 expresses Stainless steel (Surface treatment is not to be given) from Table 1.  
2は、表1よりステンレス（表面処理なし）を表す

5-1. Retaining Rings - E type  
E形止め輪



Type No. 類別番号	Type 類別
XD2-110	Retaining ring - E type (Type 1) E形止め輪（1種）
XD2-120	Retaining ring - E type (Type 2) E形止め輪（2種）

Table 5 表5

Type 種類	Nominal designation 呼び	d (mm)	D (mm)	t (mm)
Type 1 1種	007	0.65	2	0.2
	010	0.95	2.8	0.2
	013	1.25	3.3	0.3
	017	1.65	4.2	0.4
	020	1.95	4.6	0.5
	024	2.35	6	0.6
	028	2.74	6.5	0.6
	032	3.14	7.2	0.6
	037	3.64	8	0.7
	040	3.93	10	0.7
	042	4.13	10	0.7
	050	4.93	11	0.7
	058	5.73	12	0.7
	060	5.93	12.7	0.9
064	6.32	13.5	0.9	
074	7.31	15	0.9	
080	7.91	16.5	1	
Type 2 2種	008	0.8	2	0.2
	012	1.2	3	0.3
	015	1.5	4	0.4
	020	2	5	0.4
	025	2.5	6	0.4
	030	3	7	0.6
	040	4	9	0.6
	050	5	11	0.6
	060	6	12	0.8
	070	7	14	0.8
	080	8	16	0.8
	090	9	18	0.8
100	10	20	1	

Figure ZZE (2/3)MECHANICAL STANDARD PARTS (RETAINING RINGS)

5-2. Grip Rings  
グリップ止め輪

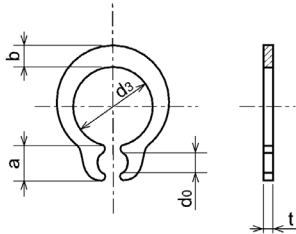


Table 5 表5

Nominal designation 呼び	$d_3$ (mm)	$t$ (mm)	$b$ (mm)	$a$ (mm)	$d_o$ (mm)
020	1.9	0.5	1	1.8	0.8
025	2.35	0.5	1.2	1.9	0.9
030	2.85	0.6	1.4	1.9	0.9
035	3.3	0.6	1.6	2	0.9
040	3.8	0.8	1.8	2.8	1.2
045	4.25	0.8	2	2.9	1.3
050	4.75	0.8	2.2	2.9	1.3
060	5.7	1	2.4	3.1	1.4
070	6.7	1	2.7	3.3	1.4
080	7.7	1	3	3.5	1.4
090	8.65	1.2	3.3	4.7	1.5
100	9.65	1.2	3.5	4.7	2

Type No. 類別番号	Type 類別
XD2-210	Grip ring グリップ止め輪

5-3. Toothed Retaining Rings  
歯付き形止め輪

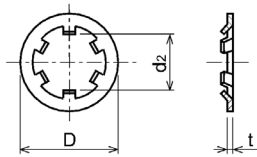


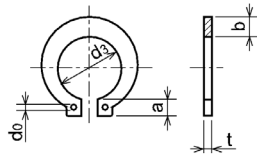
Table 5 表5

Nominal designation 呼び	$d_z$ (mm)	$D$ (mm)	$t$ (mm)	No of teeth 歯数
015	1.4	5.2	0.25	3
020	1.9	6	0.25	3
024	2.3	6.4	0.25	3
030	2.8	8	0.25	4
040	3.8	9	0.25	4
050	4.8	10	0.25	5
060	5.8	11	0.25	5
080	7.8	13	0.25	5
100	9.8	15.4	0.25	6

Type No. 類別番号	Type 類別
XD2-230	Toothed retaining ring 歯付き形止め輪

Figure ZZE (3/3)MECHANICAL STANDARD PARTS (RETAINING RINGS)

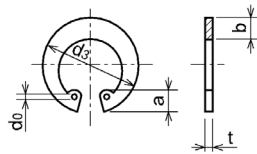
5-4. Retaining Rings - C Type  
C形止め輪



Type No. 類別番号	Type 類別
XD2-310	Retaining ring - C type for shaft C形止め輪 軸用

Table 5 表5

Nominal designation 呼び	d <sub>3</sub> (mm)	t (mm)	b (mm)	a (mm)	d <sub>0</sub> (mm)
010	9.3	1	1.6	3	1.2
012	11.1	1	1.8	3.2	1.5
014	12.9	1	2	3.4	1.7
015	13.8	1	2.1	3.5	1.7
016	14.7	1	2.2	3.6	1.7
017	15.7	1	2.2	3.7	1.7
018	16.5	1.2	2.6	3.8	1.7
020	18.5	1.2	2.7	3.9	2
022	20.5	1.2	2.7	4.1	2
025	23.2	1.2	3.1	4.3	2
028	25.9	1.5	3.1	4.6	2
030	27.9	1.5	3.5	4.8	2
032	29.6	1.5	3.5	5	2.5
035	32.2	1.5	4	5.4	2.5



Type No. 類別番号	Type 類別
XD2-320	Retaining ring - C type for hole C形止め輪 穴用

Table 5 表5

Nominal designation 呼び	d <sub>3</sub> (mm)	t (mm)	b (mm)	a (mm)	d <sub>0</sub> (mm)
010	10.7	1	1.8	3.1	1.2
011	11.8	1	1.8	3.2	1.2
012	13	1	1.8	3.3	1.5
014	15.1	1	2	3.6	1.7
016	17.3	1	2	3.7	1.7
018	19.5	1	2.5	4	1.7
019	20.5	1	2.5	4	2
020	21.5	1	2.5	4	2
022	23.5	1	2.5	4.1	2
025	26.9	1.2	3	4.4	2
028	30.1	1.2	3	4.6	2
030	32.1	1.2	3	4.7	2
032	34.4	1.2	3.5	5.2	2.5
035	37.8	1.5	3.5	5.2	2.5
037	39.8	1.5	3.5	5.2	2.5
040	43.5	1.8	4	5.7	2.5
042	45.5	1.8	4	5.8	2.5
045	48.5	1.8	4.5	5.9	2.5
047	50.5	1.8	4.5	6.1	2.5
050	54.2	2	4.5	6.5	2.5
052	56.2	2	5.1	6.5	2.5
055	59.2	2	5.1	6.5	2.5
060	64.2	2	5.1	6.8	2.5
062	66.2	2	5.5	6.9	2.5
068	72.5	2.5	6	7.4	2.5
072	76.5	2.5	6.6	7.4	2.5
075	79.5	2.5	6.6	7.8	2.5
080	85.5	2.5	7	8	2.5
085	90.5	3	7	8	3
090	95.5	3	7.6	8.3	3
095	100.5	3	8	8.5	3