

PARTS CATALOG

imageRUNNER 2600 Series (CSPL)

<PREFACE>

This Parts Catalog contains listings of parts used. Diagrams are provided with the listings to aid the service technician in identifying clearly, the item to be ordered.

Whenever ordering parts, consult this Parts Catalog for all of the information pertaining to each item. Be sure to include, in the Parts Request, the full item description, the item part number, and the quantity.

The Canon logo is displayed in a bold, black, sans-serif font. The letter 'C' is significantly larger than the other letters, and the 'o' contains a vertical bar through its center.

2020-12-16

<https://www.printerviet.com/>

Index

SNL	Product Code No. /Serial No.
A1B	ASSEMBLY LOCATION DIAGRAM (DADF-AZ1 model)
A1E	ASSEMBLY LOCATION DIAGRAM (IR 2045i, IR 2635i)
A1F	ASSEMBLY LOCATION DIAGRAM (IR 2630i, IR 2625i)
A2	OPTION PARTS CATALOG LIST
001F	ACCESSORIES (IR 2645, 2635 SERIES SG, HK, IN)
001G	ACCESSORIES (IR 2630, 2625 SERIES SG, HK, IN)
001J	ACCESSORIES (IR 2625i TW)
100D	EXTERNAL COVERS, PANELS, ETC.
102	RIGHT DOOR ASSEMBLY
103B	MACHINE FRONT PLATE
104	INTERNAL COMPONENTS 1
105C	INTERNAL COMPONENTS 2 (IR 2645, 2635 SERIES)
105D	INTERNAL COMPONENTS 2 (IR 2630, 2625 SERIES)
106C	INTERNAL COMPONENTS 3 (MODEL WITH HEATER)
106D	INTERNAL COMPONENTS 3 (MODEL WITHOUT HEATER)
107	INTERNAL COMPONENTS 4
108E	INTERNAL COMPONENTS 5 (2645, 2635 SERIES SG, HK, IN)
108F	INTERNAL COMPONENTS 5 (2630, 2625 SERIES SG, HK, IN)
108G	INTERNAL COMPONENTS 5 (IR 2625i TW)
109D	MACHINE REAR PLATE 1 (MODEL WITH HEATER)
109E	MACHINE REAR PLATE 1 (MODEL WITHOUT HEATER)
110B	MACHINE REAR PLATE 2 (IR 2645, 2635 SERIES)
110E	MACHINE REAR PLATE 2 (IR 2630, 2625 SERIES)
130D	CONTROL PANEL ASSEMBLY (SG, HK, IN)
130E	CONTROL PANEL ASSEMBLY (TW)
140E	POWER CORD TERMINAL ASS'Y (SG, HK)
140F	POWER CORD TERMINAL ASS'Y (IN)
140G	POWER CORD TERMINAL ASS'Y (TW)
250	MAIN DRIVE ASSEMBLY
260	PAPER PICK-UP DRIVE ASSEMBLY (UPPER)
261	PAPER PICK-UP DRIVE ASSEMBLY (LOWER)
263	DUPLEXING DRIVE ASSEMBLY
270	CARTRIDGE LEFT RAIL ASSEMBLY
271	CARTRIDGE RIGHT RAIL ASSEMBLY
272	BOTTLE DRIVE ASSEMBLY
280	FIRST DELIVERY DRIVE ASSEMBLY
310A	PAPER PICK-UP ASSEMBLY (UPPER)
311A	PAPER PICK-UP ASSEMBLY (LOWER)
312B	MULTI PAPER PICK-UP ASSEMBLY

Index

313	DUPLEXING FEED GUIDE ASSEMBLY
316	PRE-REGISTRATION GUIDE ASS'Y
320	TRANSFER PAPER FEED ASSEMBLY
330	DOOR ASSEMBLY, RIGHT LOWER
333	RIGHT LOWER INNER DOOR ASS'Y
350	FIRST PAPER DELIVERY ASSEMBLY
351	SECOND PAPER DELIVERY ASSEMBLY
352	SECOND DELIVERY FRAME ASSEMBLY
460C	LASER SCANNER UNIT (IR 2645, 2635 SERIES)
460D	LASER SCANNER UNIT (IR 2630, 2625 SERIES)
620	HOPPER ASSEMBLY
640	DEVELOPING ASSEMBLY
770	WASTE TONER BOX ASSEMBLY
810B	FIXING ASSEMBLY (120V)
810C	FIXING ASSEMBLY (230V)
815	DELIVERY LOWER GUIDE ASSEMBLY
816	DELIVERY UPPER GUIDE ASSEMBLY
900B	CONTROLLER BOX ASSEMBLY (IR 2645 SERIES)
900C	CONTROLLER BOX ASSEMBLY (IR 2635 SERIES)
900D	CONTROLLER BOX ASSEMBLY (IR 2630 SERIES)
900E	CONTROLLER BOX ASSEMBLY (IR 2625 SERIES)
930	DC CONTROLLER PCB ASSEMBLY
980	HIGH VOLTAGE PCB ASSEMBLY
B10D	INTERNAL COMPONENTS (DADF-AZ1 model)
B11	BASE ASSEMBLY (DADF-AZ1 model)
B12	OPEN/CLOSE COVER ASSEMBLY (DADF-AZ1 model)
B13	DOCUMENT TRAY ASSEMBLY (DADF-AZ1 model)
B41	PAPER FEEDER ASSEMBLY (DADF-AZ1 model)
D11K	READER ASSEMBLY (IR 2645, 2635 SERIES SG, HK, IN)
D11M	READER ASSEMBLY (IR 2630, 2625 SERIES SG, HK, IN)
D11N	READER ASSEMBLY (IR 2625i TW)
D90B	READER CONNECTING PCB ASSEMBLY (IR 2630, 2625 SERIES)
H30	CASSETTE ASSEMBLY (UPPER)
H31	CASSETTE ASSEMBLY (LOWER)
ZZA	MECHANICAL STANDARD PARTS (HOW TO USE)
ZZB	MECHANICAL STANDARD PARTS (SCREWS)
ZZC	MECHANICAL STANDARD PARTS (BOLTS)
ZZD	MECHANICAL STANDARD PARTS (NUTS)
ZZE	MECHANICAL STANDARD PARTS (RETAINING RINGS)



Figure SNL (1/2) Product Code No. /Serial No.

	Product Code No.	Model Name	Remarks	Serial No.
1	F17-7444-000	imageRUNNER 2645i	230V SG, HK MODEL WITH HEATER	2UV
2	F17-7464-000	imageRUNNER 2645	230V IN MODEL WITH HEATER	2UW
3	F17-7443-000	imageRUNNER 2635i	230V SG, HK MODEL WITH HEATER	2VA
4	F17-7442-000	imageRUNNER 2630i	230V SG, HK MODEL WITHOUT HEATER	2VG
5	F17-7462-000	imageRUNNER 2630	230V IN MODEL WITHOUT HEATER	2VH
6	F17-7441-000	imageRUNNER 2625i	230V SG, HK MODEL WITHOUT HEATER	2VM
7	F17-7461-000	imageRUNNER 2625	230V IN MODEL WITHOUT HEATER	2VN
8	F17-7401-000	imageRUNNER 2625i	120V TW MODEL WITHOUT HEATER DADF-AZ1 model	2VR



Figure SNL (2/2) Product Code No./Serial No.

	中オーダー	製品名	備考	シリアル No.
1	F17-7444-000	imageRUNNER 2645i	230V SG, HK MODEL WITH HEATER	2UV
2	F17-7464-000	imageRUNNER 2645	230V IN MODEL WITH HEATER	2UW
3	F17-7443-000	imageRUNNER 2635i	230V SG, HK MODEL WITH HEATER	2VA
4	F17-7442-000	imageRUNNER 2630i	230V SG, HK MODEL WITHOUT HEATER	2VG
5	F17-7462-000	imageRUNNER 2630	230V IN MODEL WITHOUT HEATER	2VH
6	F17-7441-000	imageRUNNER 2625i	230V SG, HK MODEL WITHOUT HEATER	2VM
7	F17-7461-000	imageRUNNER 2625	230V IN MODEL WITHOUT HEATER	2VN
8	F17-7401-000	imageRUNNER 2625i	120V TW MODEL WITHOUT HEATER DADF-AZ1 model	2VR

FIGURE & KEY NO.	PART NUMBER	R A N K	QTY	DESCRIPTION	SERIAL NUMBER /REMARKS
SNL	NPN		RF	Product Code No./Serial No.	
1	F17-7444-000		1	imageRUNNER 2645i	2UV 230V SG, HK MODEL WITH HEATER
2	F17-7464-000		1	imageRUNNER 2645	2UW 230V IN MODEL WITH HEATER
3	F17-7443-000		1	imageRUNNER 2635i	2VA 230V SG, HK MODEL WITH HEATER
4	F17-7442-000		1	imageRUNNER 2630i	2VG 230V SG, HK MODEL WITHOUT HEATER
5	F17-7462-000		1	imageRUNNER 2630	2VH 230V IN MODEL WITHOUT HEATER
6	F17-7441-000		1	imageRUNNER 2625i	2VM 230V SG, HK MODEL WITHOUT HEATER
7	F17-7461-000		1	imageRUNNER 2625	2VN 230V IN MODEL WITHOUT HEATER
8	F17-7401-000		1	imageRUNNER 2625i	2VR 120V TW MODEL WITHOUT HEATER DADF-AZ1 model

Figure A1B (1/5) ASSEMBLY LOCATION DIAGRAM (DADF-AZ1 model)

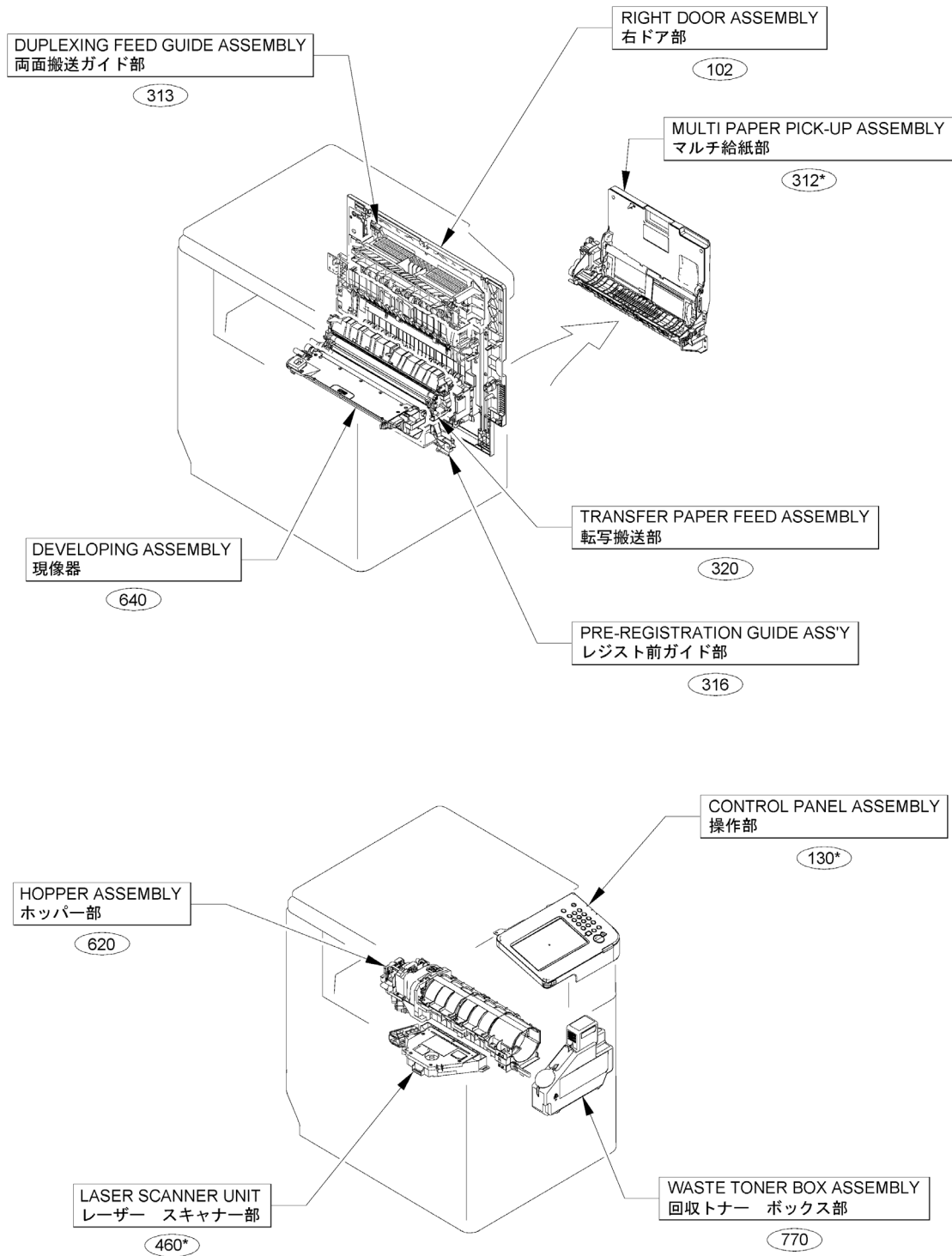


Figure A1B (2/5) ASSEMBLY LOCATION DIAGRAM (DADF-AZ1 model)

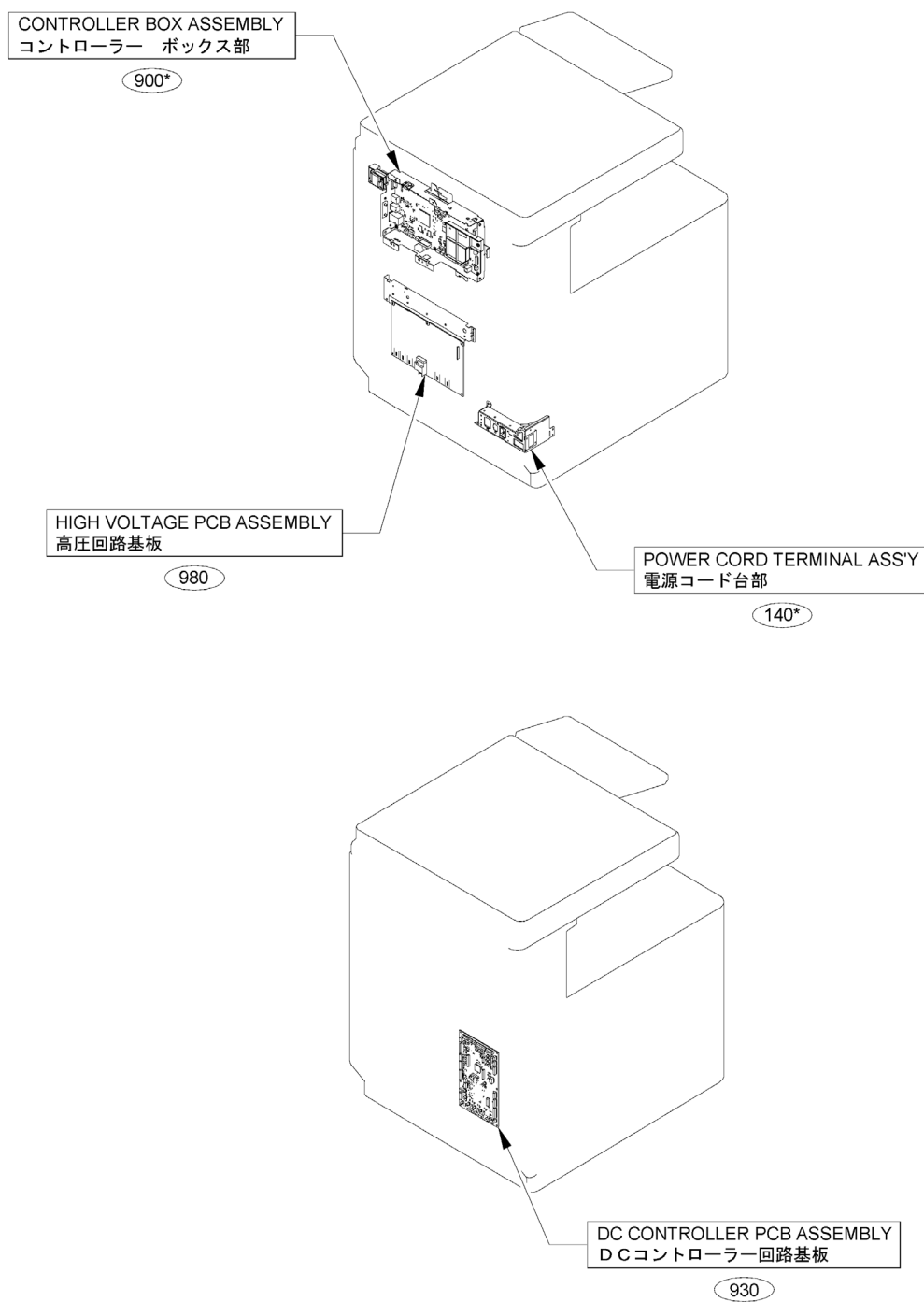


Figure A1B (3/5) ASSEMBLY LOCATION DIAGRAM (DADF-AZ1 model)

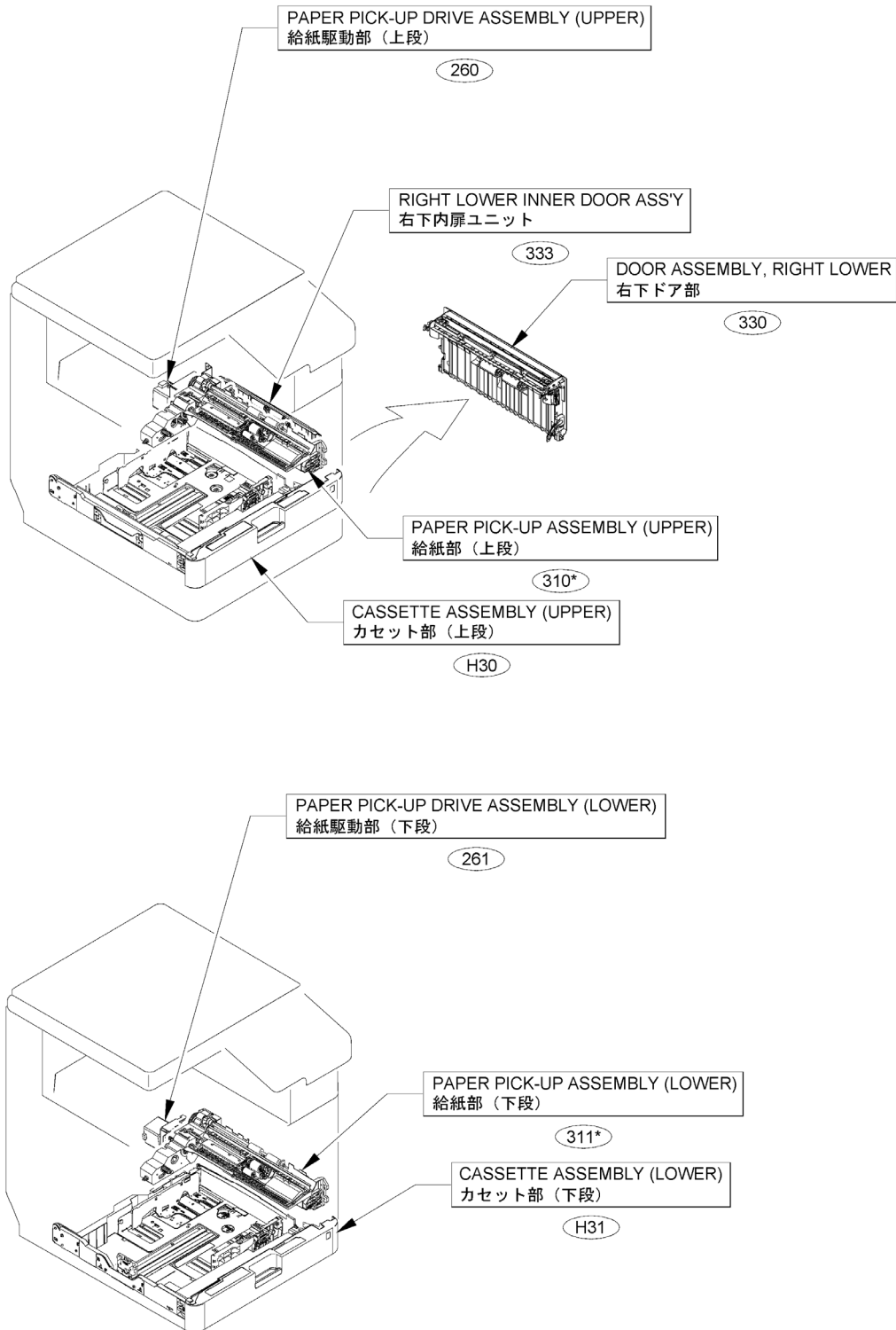


Figure A1B (4/5) ASSEMBLY LOCATION DIAGRAM (DADF-AZ1 model)

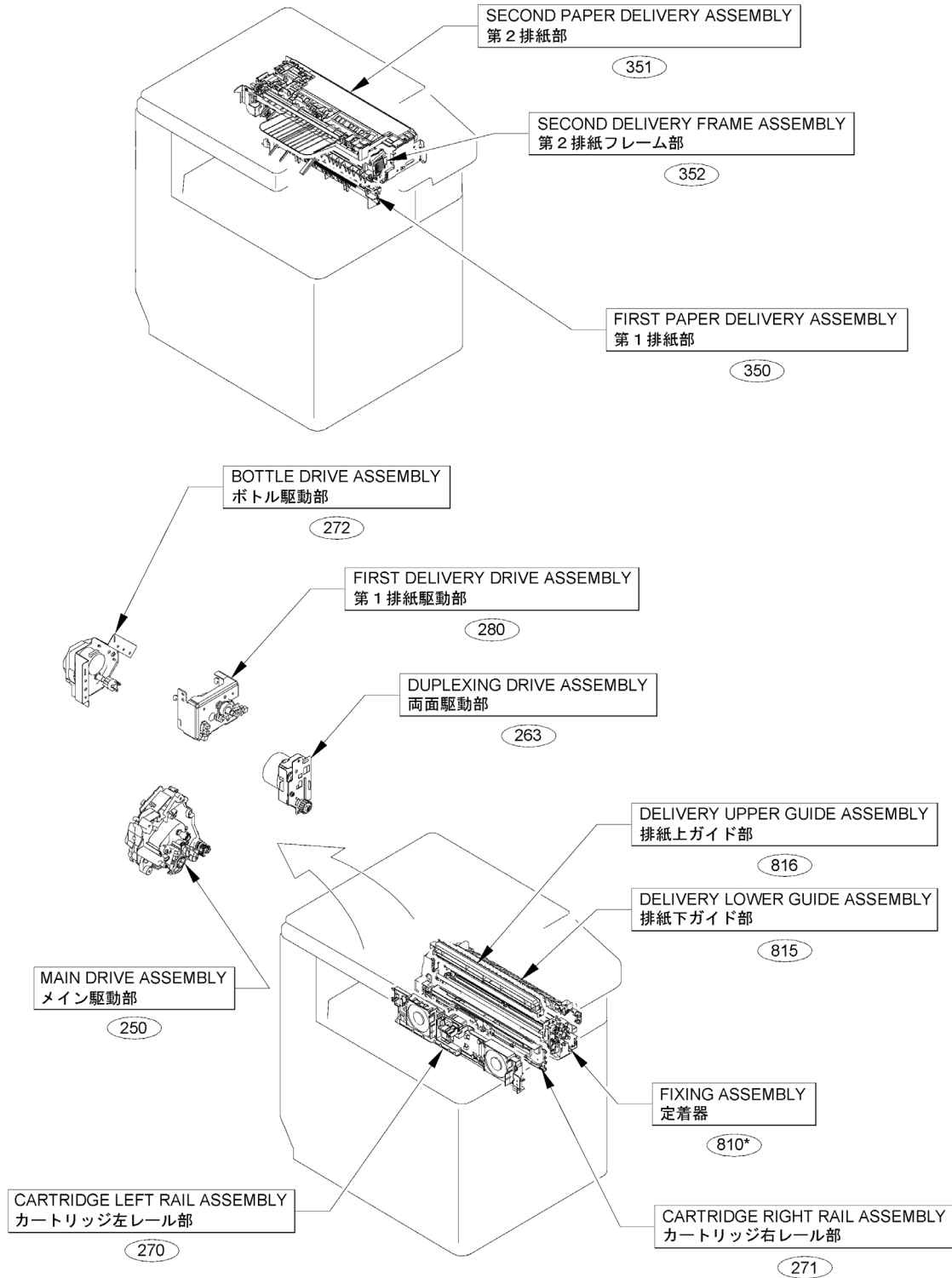


Figure A1B (5/5) ASSEMBLY LOCATION DIAGRAM (DADF-AZ1 model)

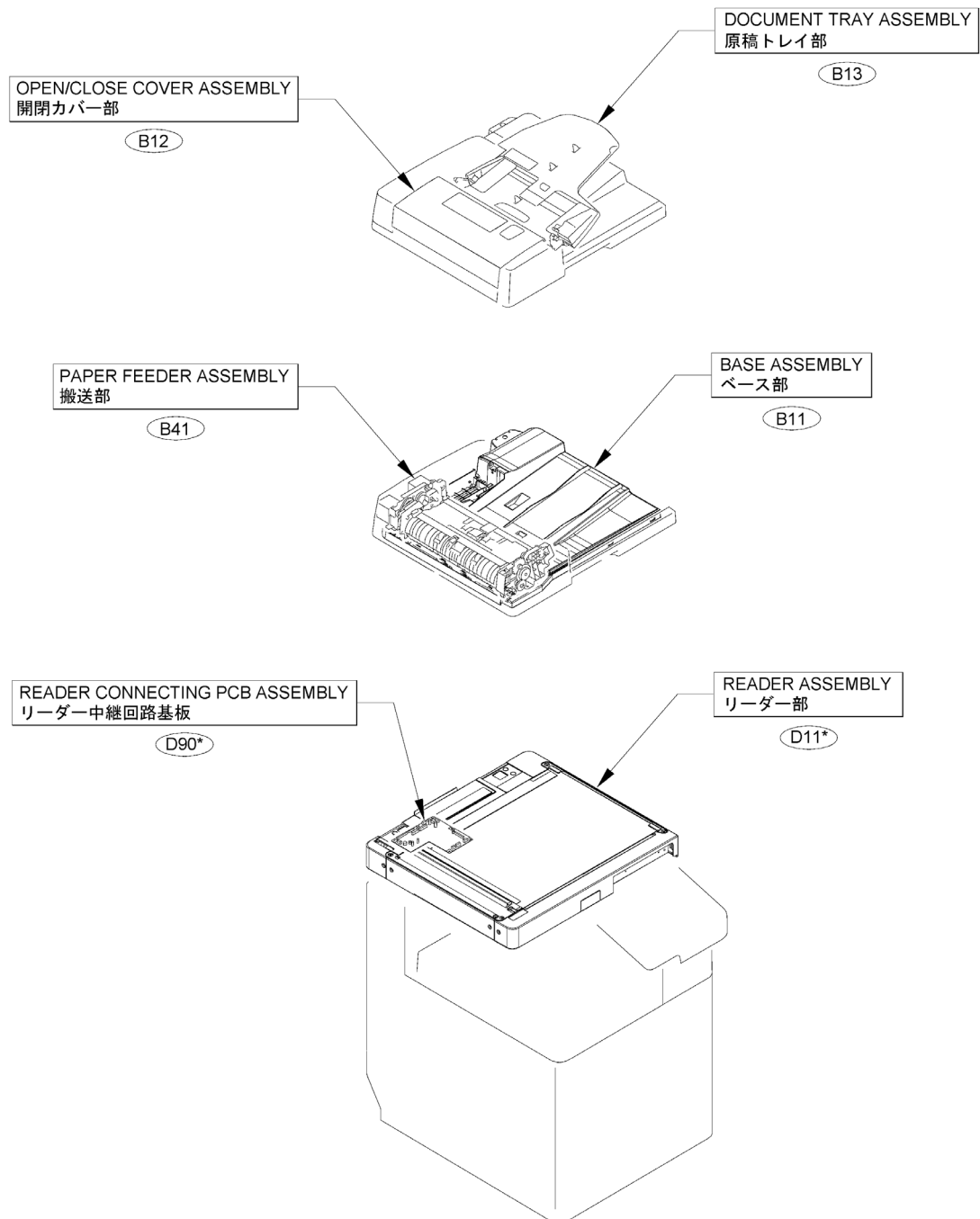


Figure A1E (1/5) ASSEMBLY LOCATION DIAGRAM (IR 2045i, IR 2635i)

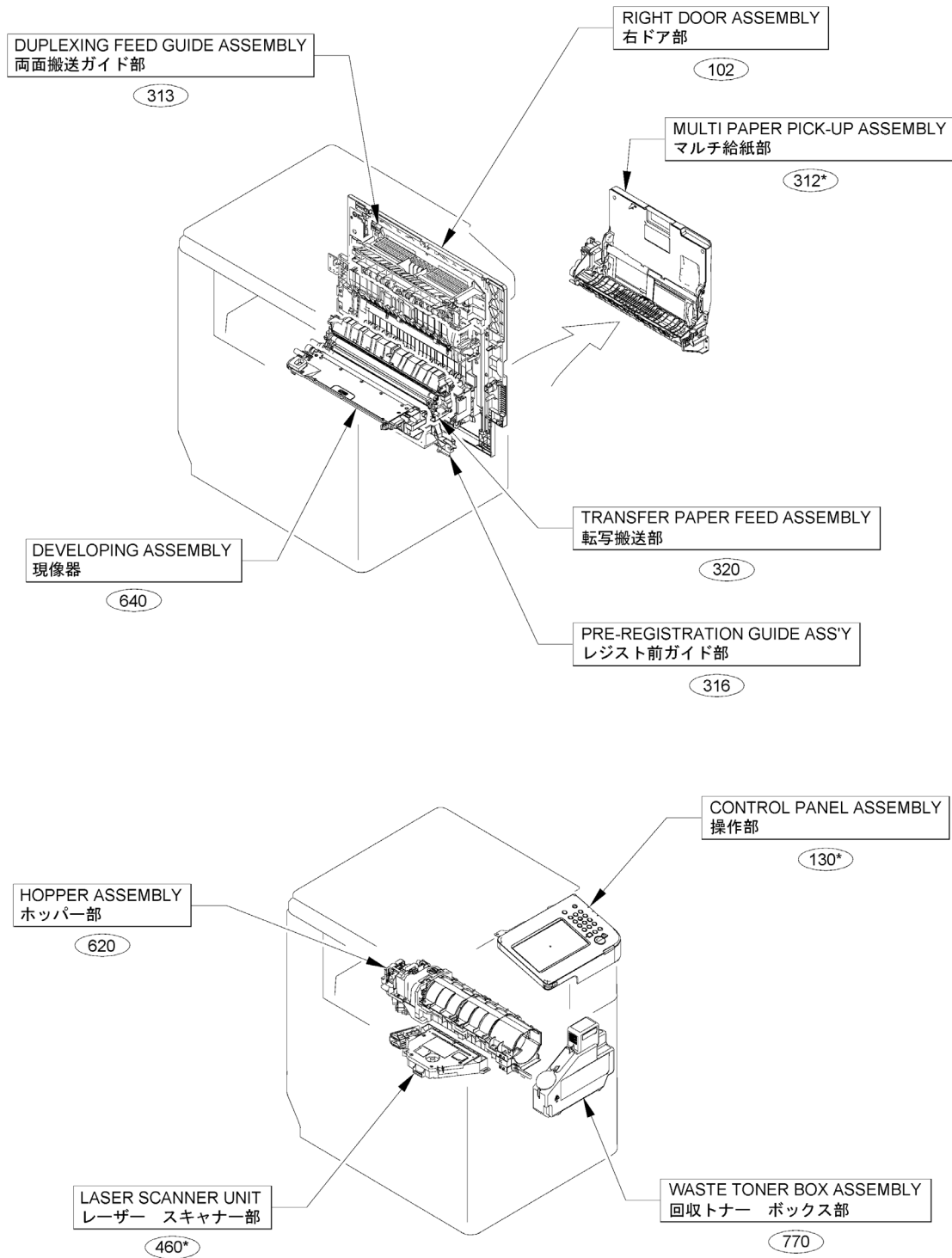


Figure A1E (2/5) ASSEMBLY LOCATION DIAGRAM (IR 2045i, IR 2635i)

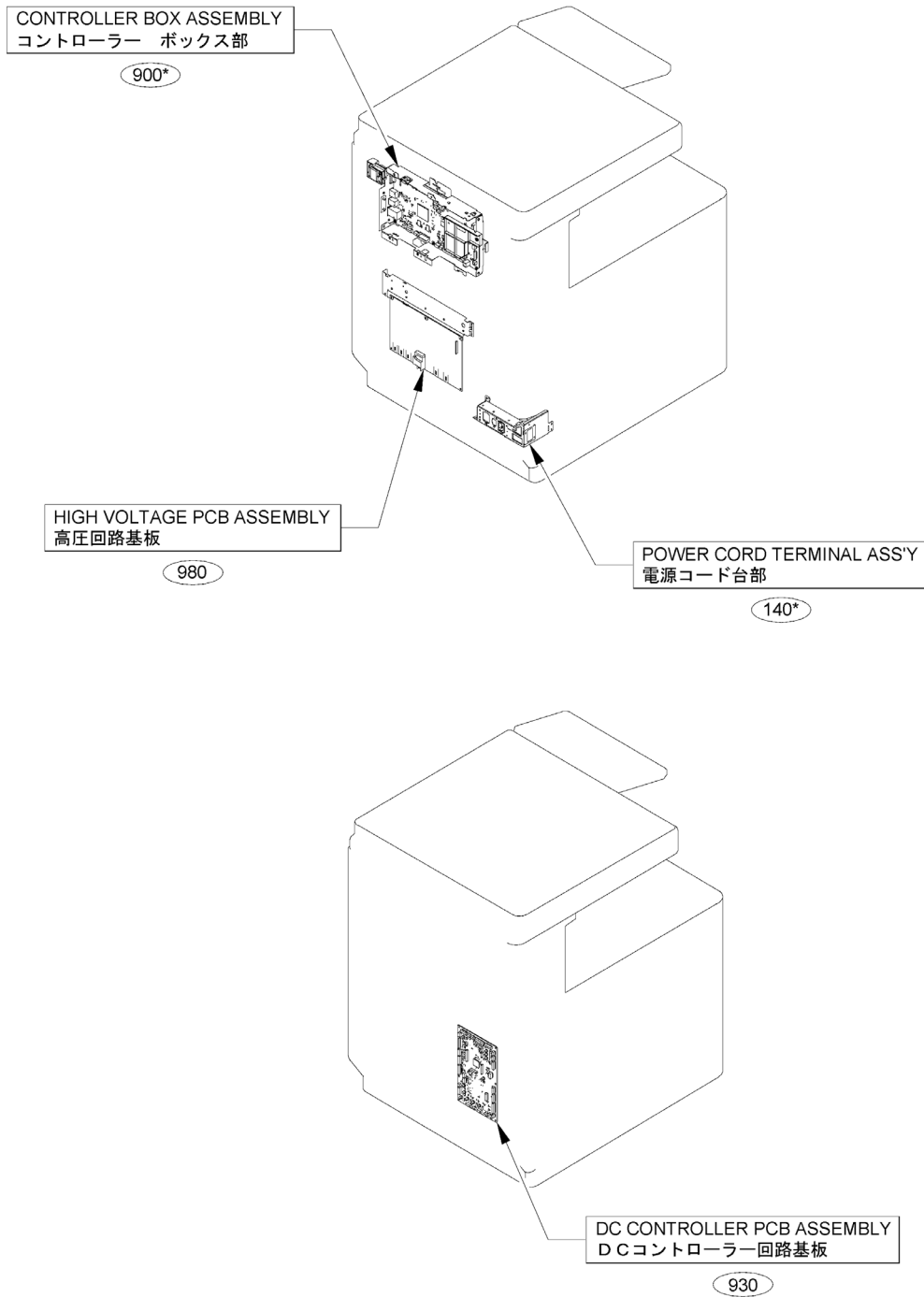


Figure A1E (3/5) ASSEMBLY LOCATION DIAGRAM (IR 2045i, IR 2635i)

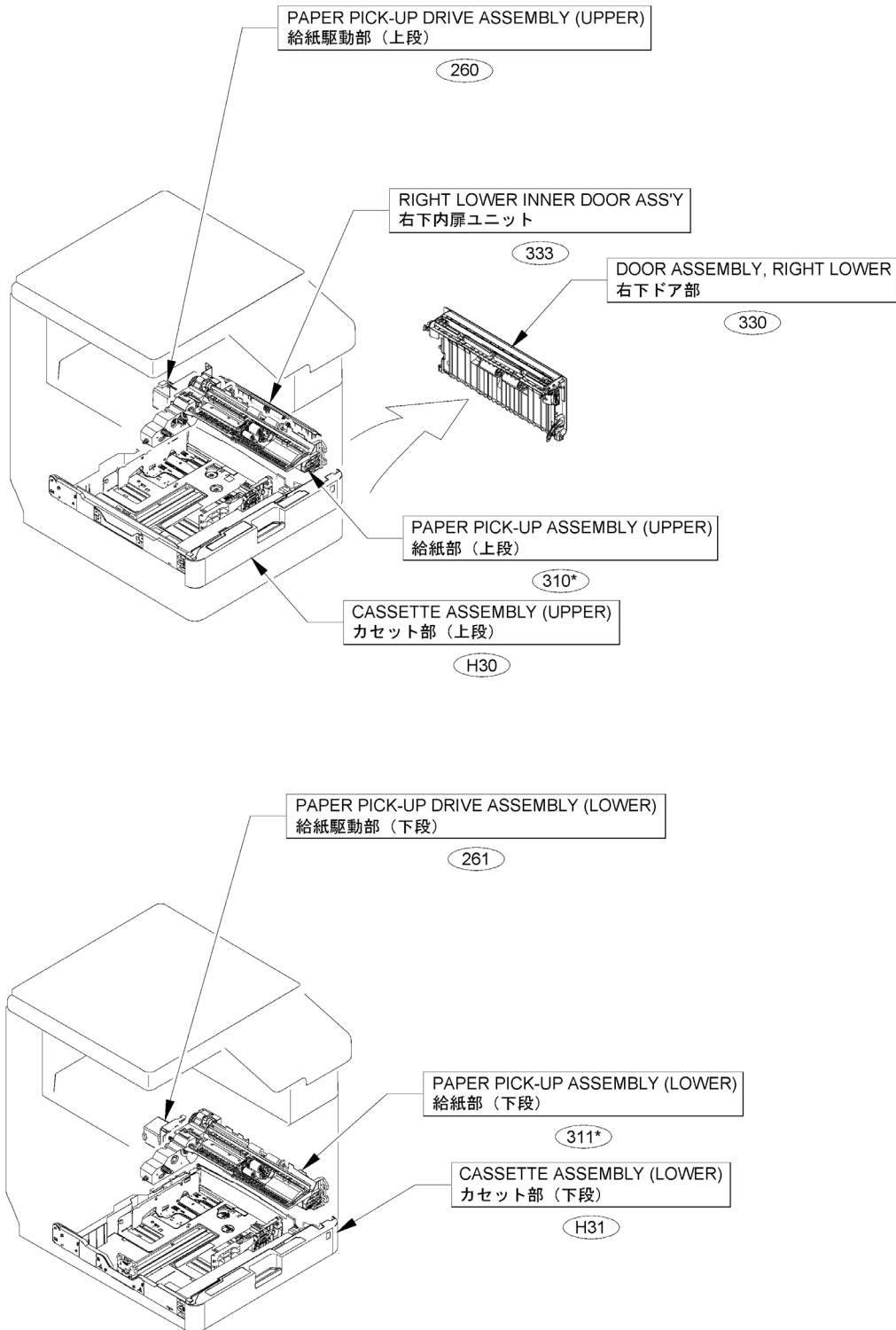


Figure A1E (4/5) ASSEMBLY LOCATION DIAGRAM (IR 2045i, IR 2635i)

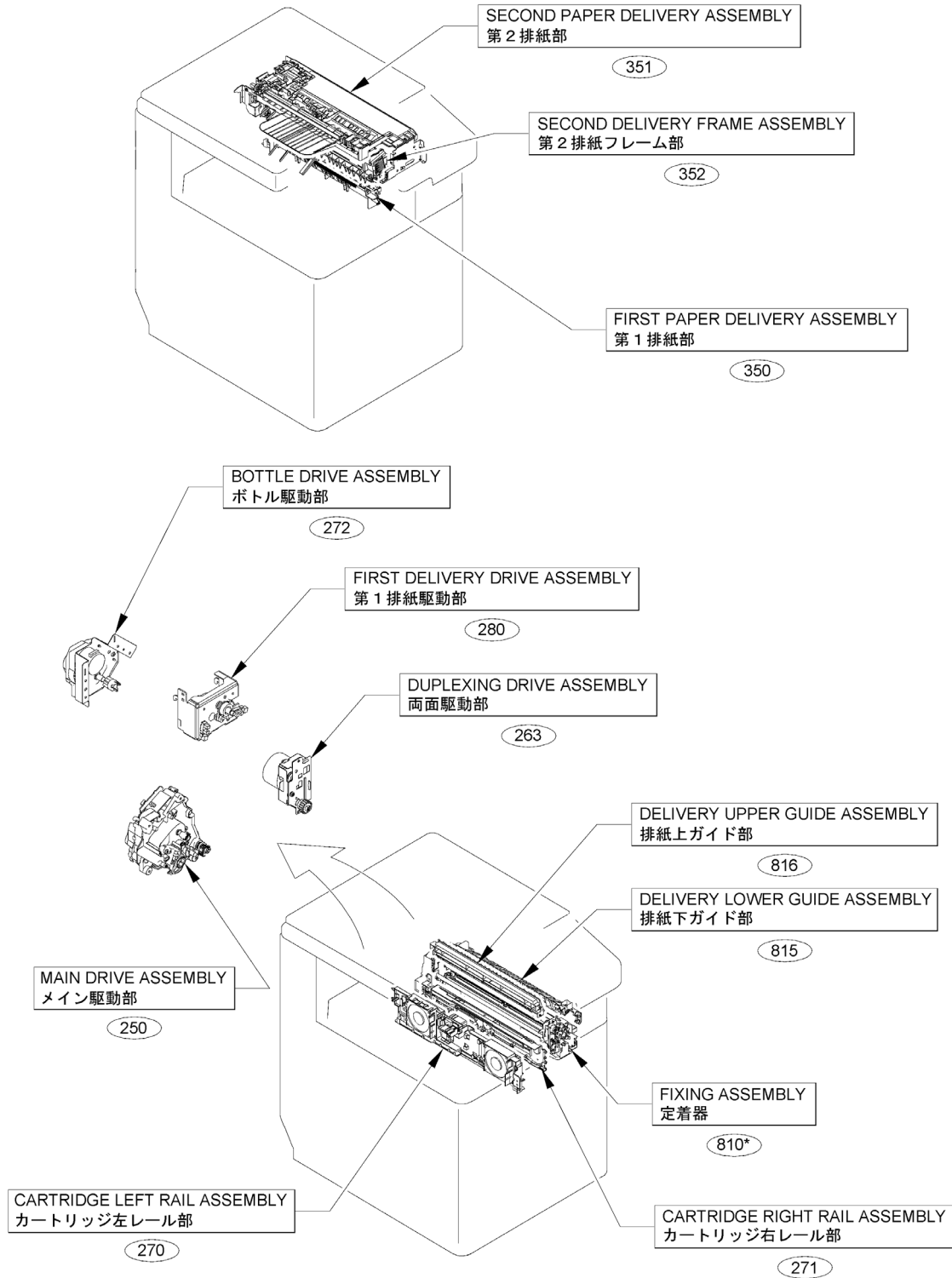


Figure A1E (5/5) ASSEMBLY LOCATION DIAGRAM (IR 2045i, IR 2635i)

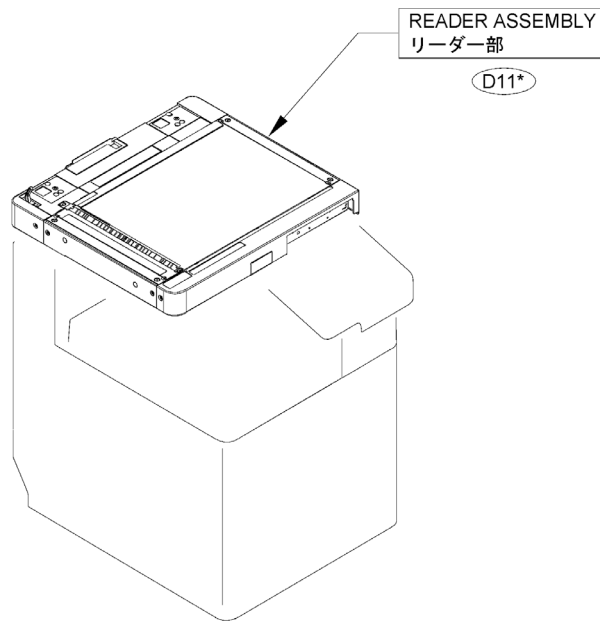


Figure A1F (1/5) ASSEMBLY LOCATION DIAGRAM (IR 2630i, IR 2625i)

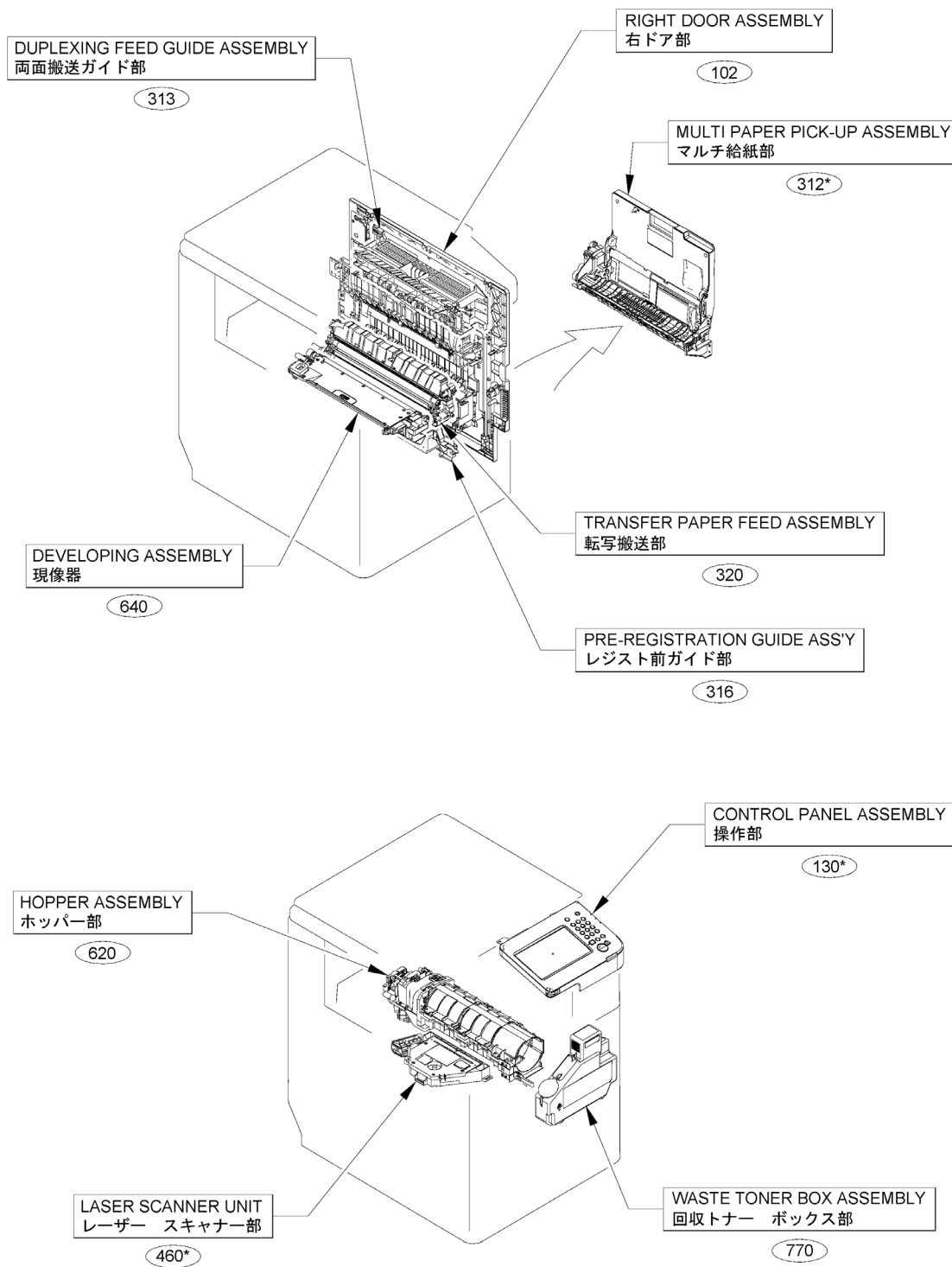


Figure A1F (2/5) ASSEMBLY LOCATION DIAGRAM (IR 2630i, IR 2625i)

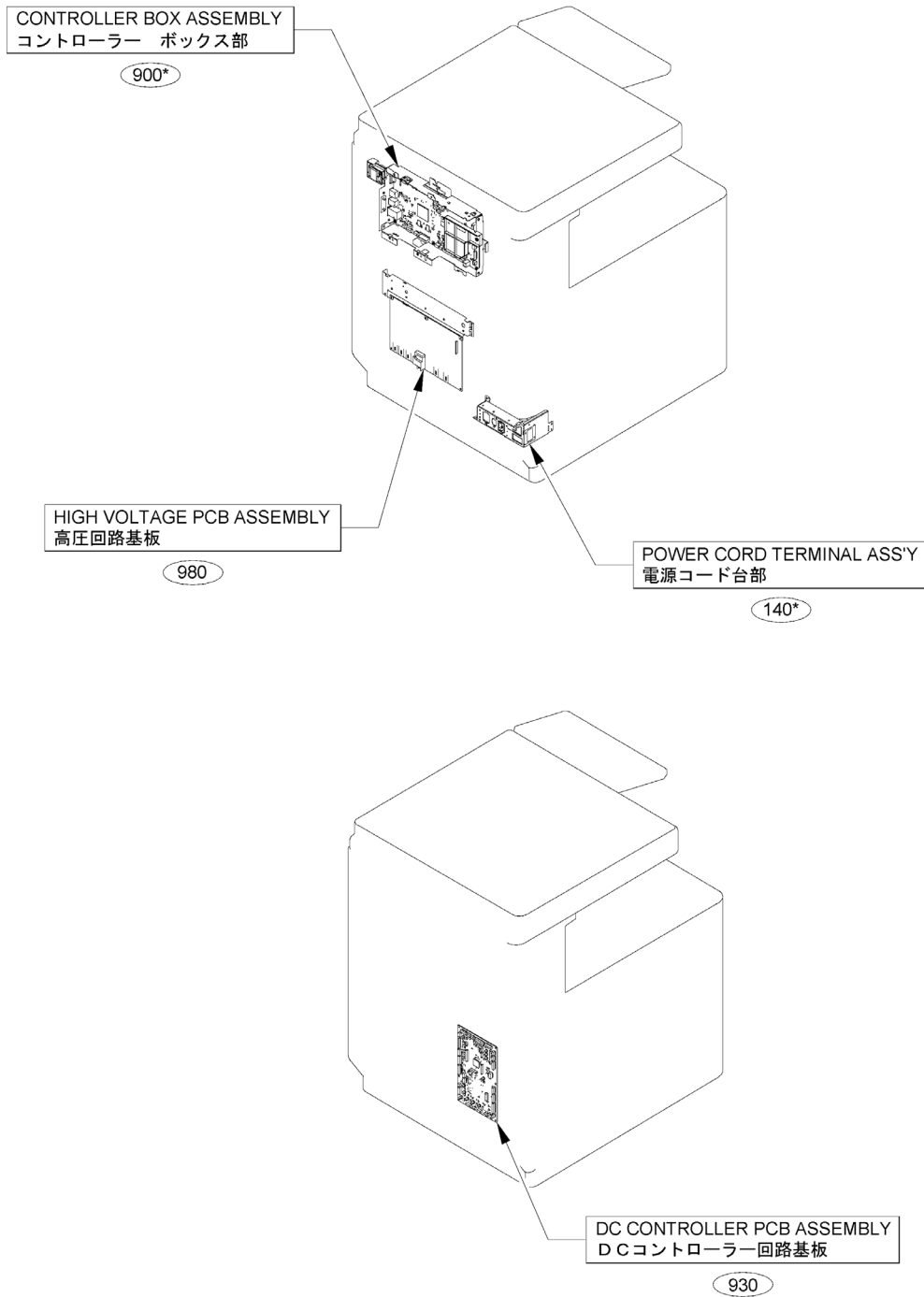


Figure A1F (3/5) ASSEMBLY LOCATION DIAGRAM (IR 2630i, IR 2625i)

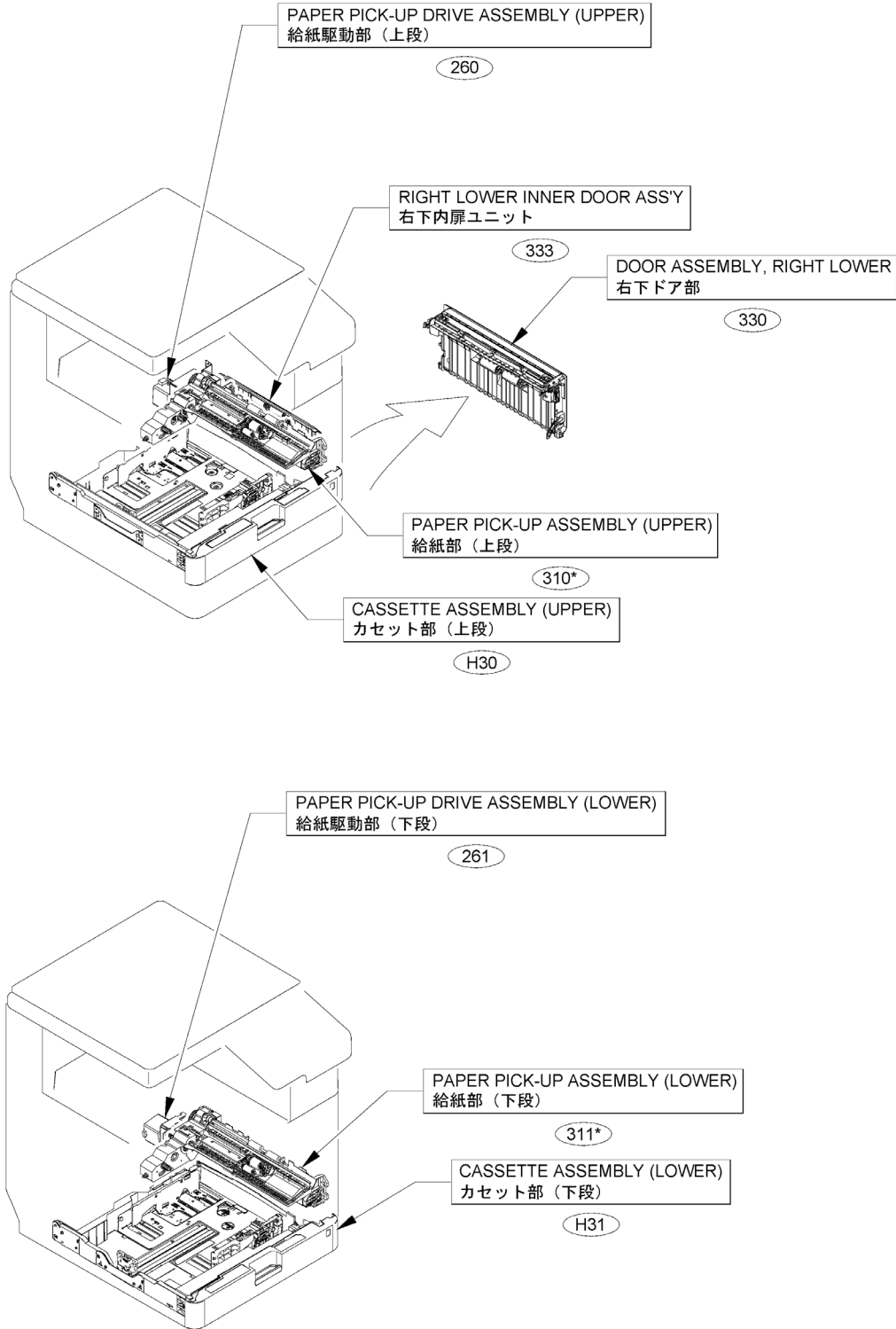


Figure A1F (4/5) ASSEMBLY LOCATION DIAGRAM (IR 2630i, IR 2625i)

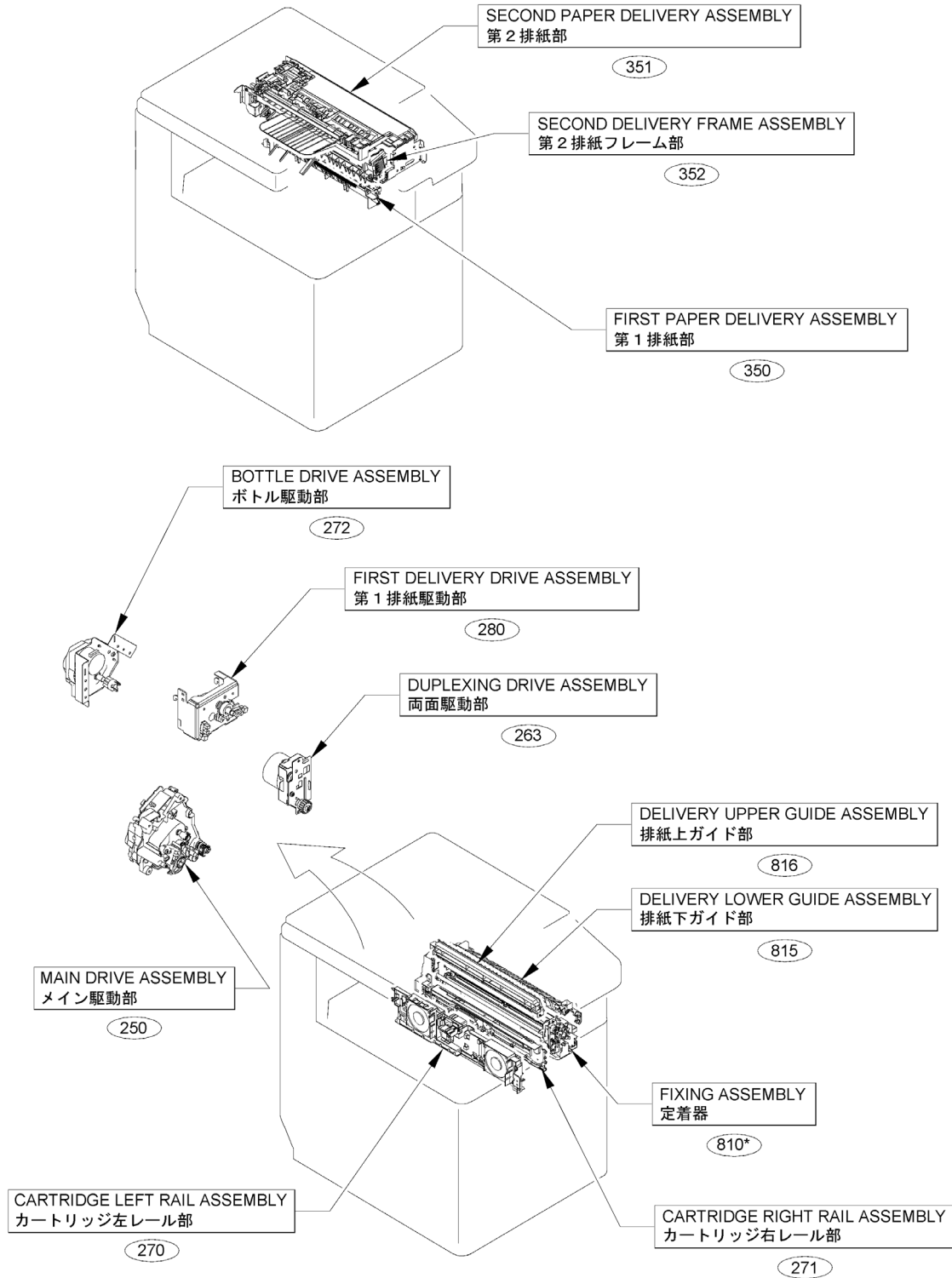


Figure A1F (5/5) ASSEMBLY LOCATION DIAGRAM (IR 2630i, IR 2625i)

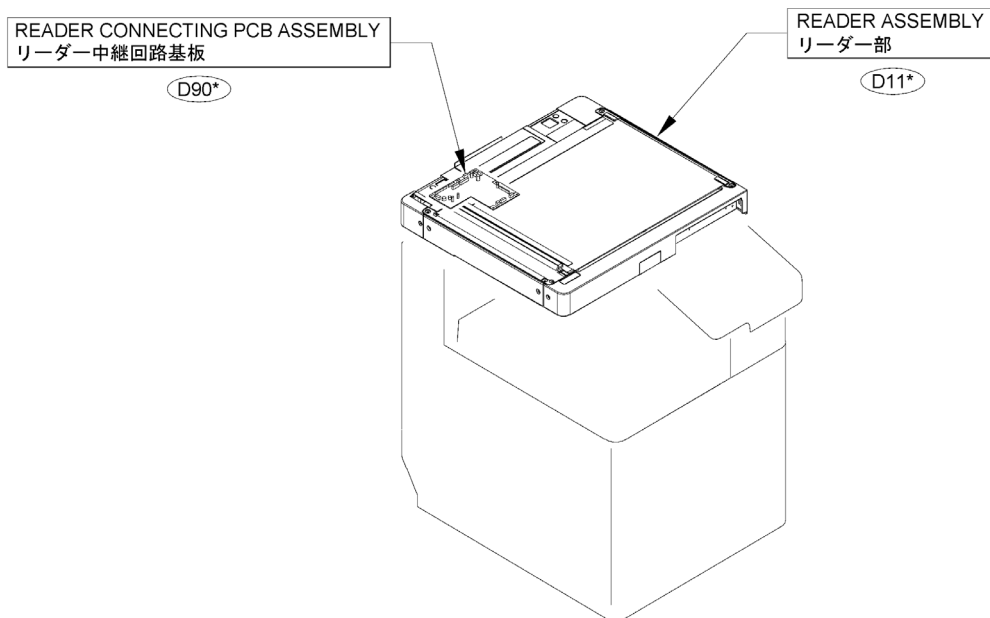


Figure A2 OPTION PARTS CATALOG LIST

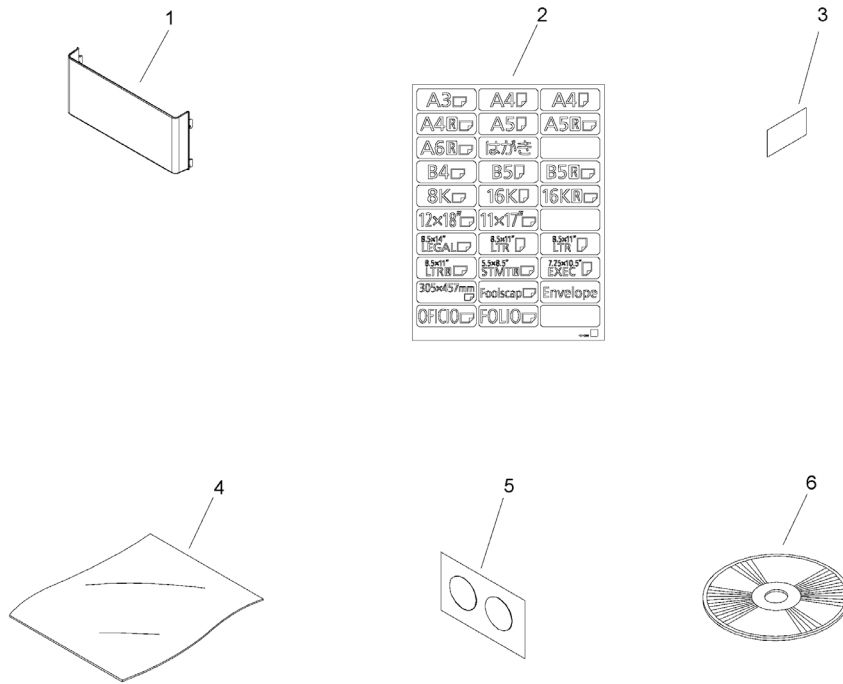
This is the table of the machine's options whose parts catalog is issued.
 本機のオプションで、パーツカタログが発行されている機種の一覧である。

No.	Model Name(English)	Model Name(Japanese)
1	DADF-AZ1	(日本仕向けなし)
2	DADF-BA1	(日本仕向けなし)
3	Platen Cover Type Z	(日本仕向けなし)
4	Platen Cover Type Y	原稿台カバー タイプY
5	ADF Access Handle-A1	A D F アクセスハンドル・A 1
6	Cassette Feeding Unit-AN1	2段カセットペディスタル・A N 1
7	Envelope Feeder Attachment-D1	(日本仕向けなし)
8	Inner 2Way Tray-L1	インナー2ウェイトレイ・L 1
9	Inner Finisher-J1	インナーフィニッシャー・J 1
10	Heater Kit-N2	ヒーター基板・N 2
11	Reader Heater Unit-H2	リーダーヒーターユニット・H 2
12	Reader Heater-P1	(日本仕向けなし)
13	Cassette Heater Unit-37	(日本仕向けなし)
14	Utility Tray-B1	(日本仕向けなし)
15	Copy Card Reader Attachment-H3	コピーカードリーダー取付けキット・H 3
16	Super G3 FAX Board-AV2	(日本仕向けなし)
17	(JAPAN ONLY)	ハンドセット・G2
18	Copy Control Interface Kit-D1	コントロールインターフェースキット・D 1
19	IC Card Reader Box-C2	I Cカードリーダーボックス・C 2
20	Copy Card Reader-F1	コピーカードリーダー・F 1

Canon

2020-12-16

Figure 001F ACCESSORIES (IR 2645, 2635 SERIES SG, HK, IN)





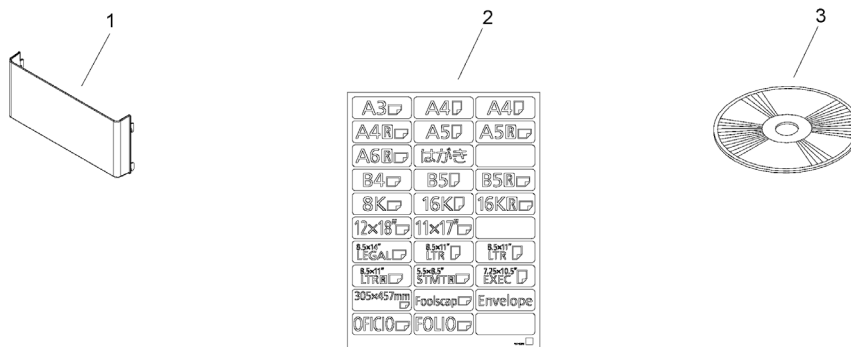
2020-12-16

FIGURE & KEY NO.	PART NUMBER	R A N K	QTY	DESCRIPTION	SERIAL NUMBER /REMARKS
001F	NPN		RF	ACCESSORIES	IR 2645, 2635 SERIES SG, HK, IN
1	FE4-2809-000		1	HOLDER, SERVICE BOOK	
2	FE2-C083-000		1	LABEL, CASSETTE SIZE	
3	FE4-0152-010		1	TAPE, DUPLEXING	
4	FE2-D452-000		1	CLOTH, CLEANING	
5	FL1-2558-000		1	SEAL, BLANKING	
6	FK4-6577-000		1	CD-ROM, SOFTWARE FOR UFR II	

Canon

2020-12-16

Figure 001G ACCESSORIES (IR 2630, 2625 SERIES SG, HK, IN)





2020-12-16

FIGURE & KEY NO.	PART NUMBER	RANK	QTY	DESCRIPTION	SERIAL NUMBER /REMARKS
001G	NPN		RF	ACCESSORIES	IR 2630, 2625 SERIES SG, HK, IN
1	FE4-2809-000		1	HOLDER, SERVICE BOOK	
2	FE2-C083-000		1	LABEL, CASSETTE SIZE	
3	FK4-6577-000		1	CD-ROM, SOFTWARE FOR UFR II	



2020-12-16

Figure 001J ACCESSORIES (IR 2625i TW)

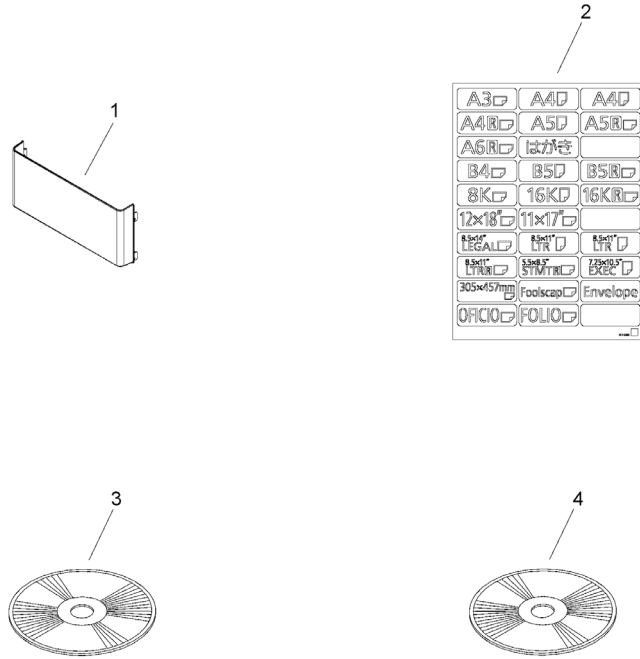


FIGURE & KEY NO.	PART NUMBER	R A N K	QTY	DESCRIPTION	SERIAL NUMBER /REMARKS
001J	NPN		RF	ACCESSORIES	IR 2625i TW
1	FE4-2809-000		1	HOLDER, SERVICE BOOK	
2	FE2-C083-000		1	LABEL, CASSETTE SIZE	
3	FK4-6577-000		1	CD-ROM, SOFTWARE FOR UFR II	
4	FK4-6578-000		1	CD-ROM, USER SOFTWARE, PCL	

Figure 100D EXTERNAL COVERS, PANELS, ETC.

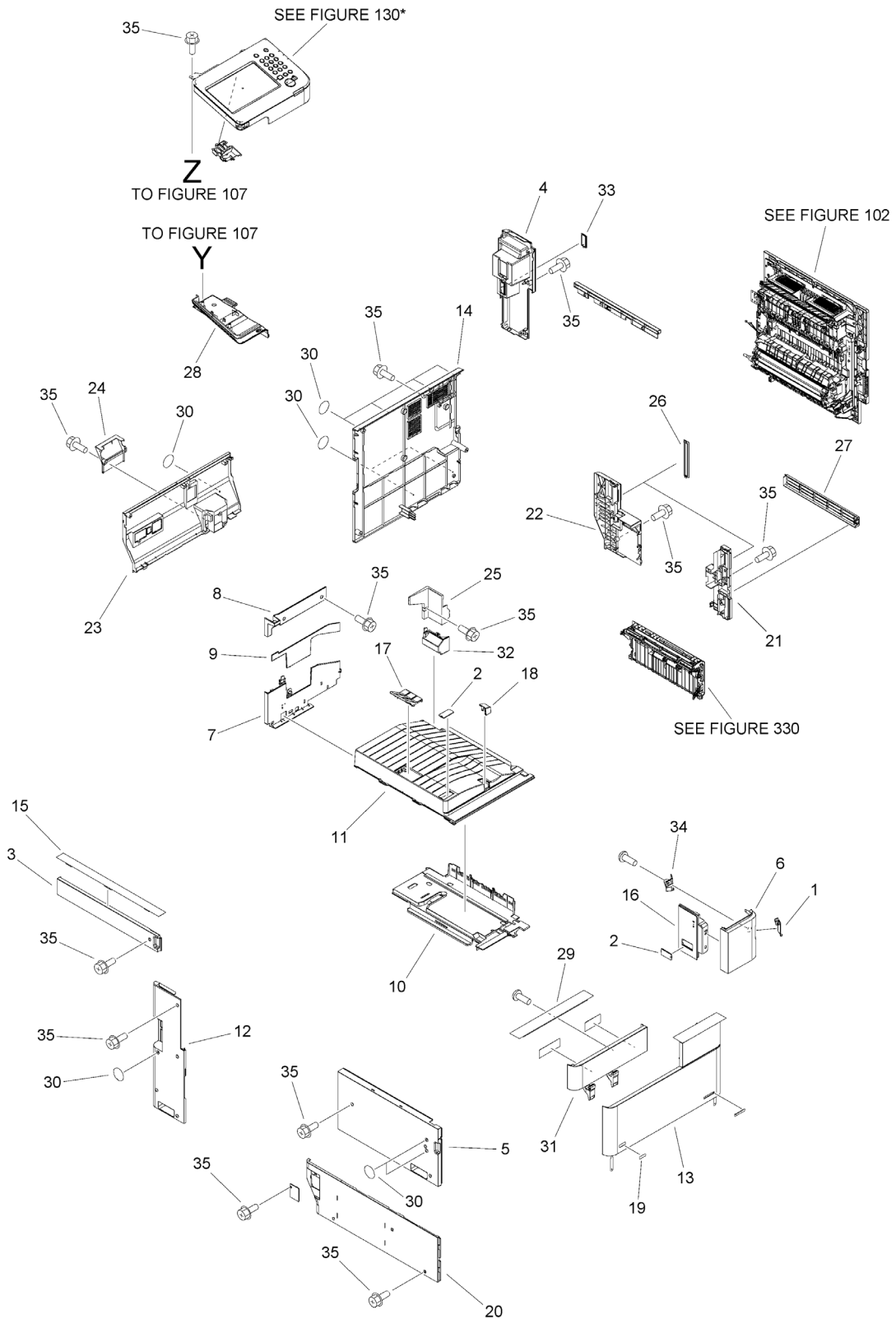




FIGURE & KEY NO.	PART NUMBER	RANK	QTY	DESCRIPTION	SERIAL NUMBER /REMARKS
100D	NPN		RF	EXTERNAL COVERS, PANELS, ETC.	
1	FC8-4000-000		1	COVER, MAIN SWITCH	
2	FE8-8807-000		2	COVER, FAX CONNECTOR	
3	FE4-6552-000		1	COVER, LEFT UPPER	
4	FE2-C486-000		1	COVER, REAR, RIGHT	
5	FE4-6560-000		1	COVER, LEFT	
6	FE2-C447-000		1	COVER, FRONT, UPPER	
7	FE4-6570-000		1	COVER, DEPTH, DELIVERY, BOTTOM	
8	FE4-6571-000		1	COVER, DEPTH, DELIVERY ,UPPER	
9	FE4-6572-000		1	COVER, DEPTH, DELIVERY, CENTER	
10	FE4-6573-000		1	TRAY, BASE, RIGHT	
11	FE4-6575-000		1	TRAY, PAPER DELIVERY	
12	FE4-6577-000		1	COVER, REAR, LEFT	
13	FM1-W728-000		1	FRONT DOOR UNIT	
14	FE4-6579-000		1	COVER, REAR	
15	FL0-5735-000		1	PLATE, COVER, LEFT	
16	FE4-6585-000		1	COVER, RIGHT, UPPER, BEHIND	
17	FE4-6586-000		1	GUIDE, PAPER BACK END	
18	FE4-6587-000		1	COVER, DELIVERY TRAY, ACC	
19	FE4-7198-000		1	LABEL, TONER	
20	FE4-7204-000		1	PANEL, LEFT LOWER	
21	FE4-7205-000		1	PANEL, RIGHT LOWER, FRONT	
22	FE4-7206-000		1	PANEL, RIGHT LOWER, REAR	
23	FE4-7208-000		1	PANEL, REAR LOWER	
24	FE4-7209-000		1	PANEL, PROTECTIVE	
25	FE4-7210-000		1	COVER, PAPER DELIVERY, REAR	
26	FE4-7226-000		2	PANEL, HANDLE	
27	FE4-7237-000		1	PANEL, RIGHT CENTER	
28	FE2-C446-000		1	COVER, OPERATION, LEFT LOWER	
29	FL0-5736-000		1	COVER, TONER BOTTLE, TOP	
30	FL0-5737-000		10	SEAL, BLANKING	
31	FL0-5744-000		1	COVER, TONER BOTTLE	
32	FM1-J192-000		1	COVER, PAPER DELIVERY, REAR	
33	FE2-A740-000		1	COVER, FAX CONNECTOR	
34	FC0-2538-000		1	MOUNT, SWITCH COVER	
35	XA9-1386-000		15	SCREW,RS,M3X8	

Figure 102 RIGHT DOOR ASSEMBLY

NOTE : This assembly includes the assemblies shown in Figure 313 and 320.

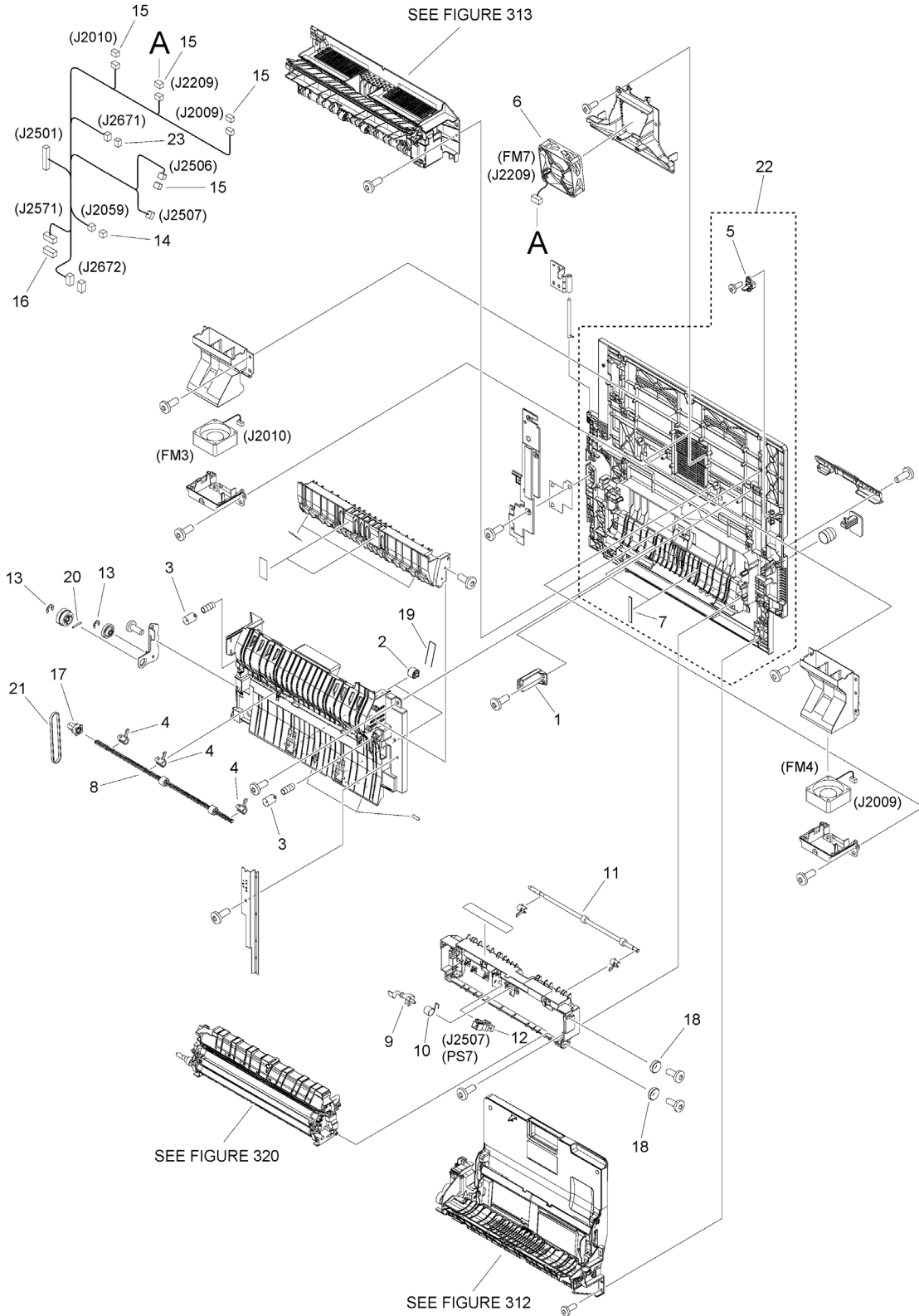




FIGURE & KEY NO.	PART NUMBER	RANK	QTY	DESCRIPTION	SERIAL NUMBER /REMARKS
102	FM1-J052-020		1	RIGHT DOOR ASSEMBLY	SEE NOTE
1	FC0-2458-010		1	GUIDE, AUXILIARY	
2	FC5-1358-000		2	COLLAR, FIXING DELIVERY	
3	FC5-6014-000		2	CAP, SPRING	
4	FC9-0717-000		3	BUSHING	
5	FE4-0096-000		1	FLAG, MICROSWITCH	
6	FK2-0360-000		1	FAN	FM7
7	FL1-6367-000		2	SHEET, STATIC CHARGE	
8	FL3-1448-000		1	ROLLER, DUPLEXING PAPER FEED	
9	FC9-8965-010		1	FLAG, REVERSE DETECT	
10	FC9-8966-000		1	SPRING, TORSION	
11	FL3-6203-000		1	ROLLER, DUPLEXING PAPER FEED	
12	WG8-5836-000		1	IC PHOTOINTERRUPTER, HYBRID	PS7
13	XD9-0136-000		2	RETAINING RING (E-TYPE)	
14	VS1-7177-002		1	CONNECTOR, SNAP TIGHT, BK	
15	VS1-7177-003		4	CONNECTOR, SNAP TIGHT, BK	
16	VS1-7177-005		1	CONNECTOR, SNAP TIGHT, BK	
17	FU5-3796-000		1	PULLEY	
18	FU5-6014-000		2	COLLAR	
19	FU8-2883-000		2	SPRING, RETAINING	
20	XD9-0289-000		1	PIN, PARALLEL	
21	XF2-1611-840		1	BELT, TIMING	
22	4Y8-3118-010		1	DOOR, RIGHT	
23	VS1-8959-003		1	CONNECTOR, SNAP TIGHT, BK	

Figure 103B MACHINE FRONT PLATE

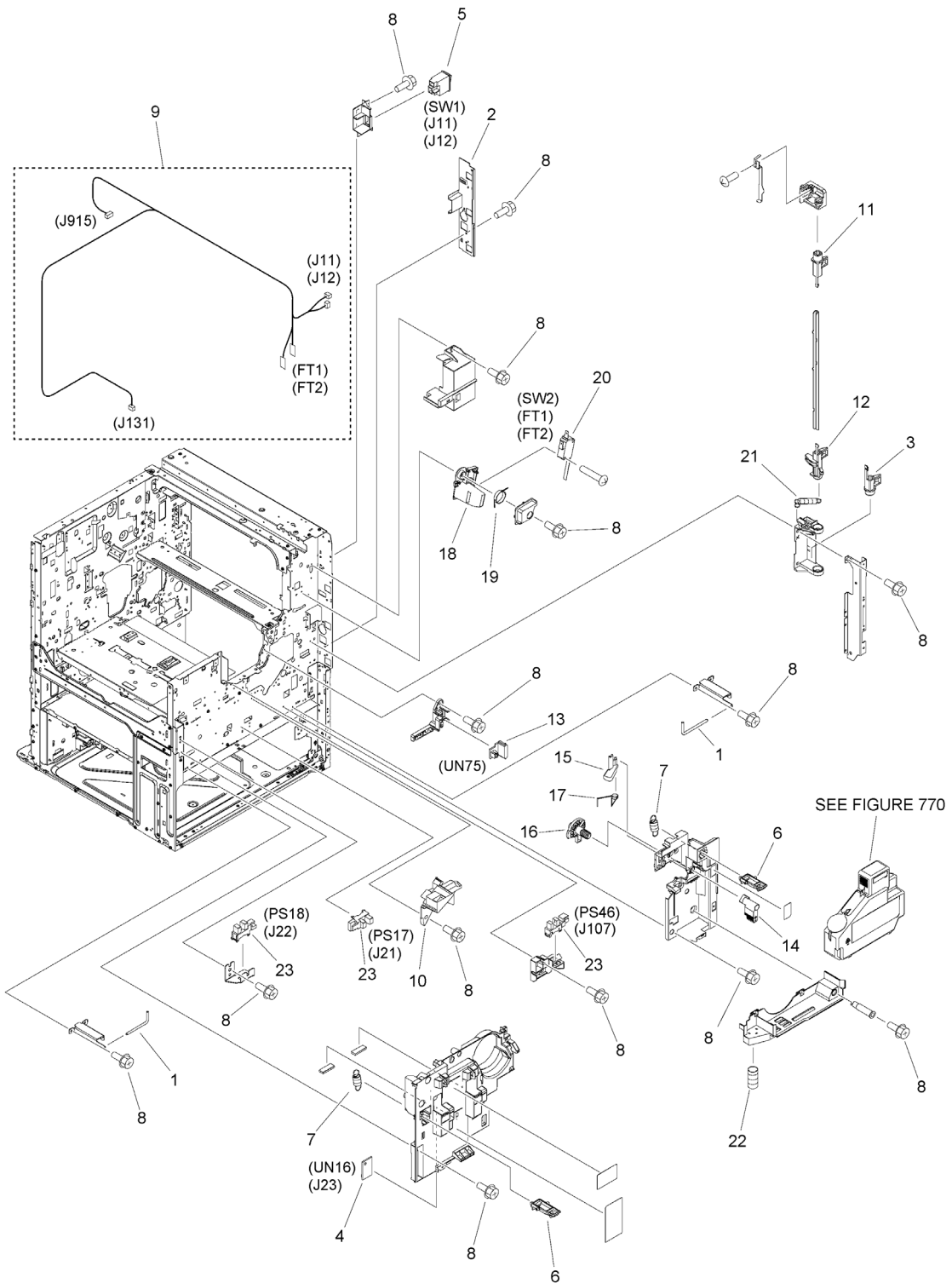


FIGURE & KEY NO.	PART NUMBER	RANK	QTY	DESCRIPTION	SERIAL NUMBER /REMARKS
103B	NPN		RF	MACHINE FRONT PLATE	
1	FA8-2446-000		2	PIN, HINGE	
2	FC9-0574-000		1	COVER, INNER, RIGHT	
3	FC9-0900-000		1	HOOK, RIGHT DOOR, LOWER	
4	WP2-5410-000		1	SENSOR, HUMIDITY	UN16
5	FK3-2835-000		1	SWITCH, MAIN POWER SUPPLY	SW1
6	FC9-1698-000		2	HOOK, FRONT DOOR	
7	FU7-2996-000		2	SPRING, TENSION	
8	XA9-1386-000		15	SCREW,RS,M3X8	
9	FM2-K819-000		1	CABLE, INTERLOCK SWITCH	
10	FE4-6878-000		1	COVER, DEVELOPING	
11	FC9-0898-000		1	HOOK, RIGHT DOOR, UPPER	
12	FC9-0899-000		1	HOOK, RIGHT DOOR, CENTER	
13	FM4-1101-000		1	CONTACT PCB ASSEMBLY	UN75
14	FE8-8403-000		1	LEVER, BOTTLE EXCHANGE	
15	FC9-0503-000		1	LEVER, HANDLE LOCK	
16	FC9-7708-000		1	GEAR, 7T	
17	FU7-2912-000		1	SPRING, TORSION	
18	FC9-1701-000		1	HOLDER, INTERLOCK	
19	FU7-2997-000		1	SPRING, TORSION	
20	WC4-5188-000		1	SWITCH, MICRO	SW2
21	FU6-2194-000		1	SPRING, TENSION	
22	FU7-2911-000		1	SPRING, COMPRESSION	
23	WG8-5836-000		3	PHOTOINTERRUPTER	PS17, PS18, PS46

FIGURE & KEY NO.	PART NUMBER	RANK	QTY	DESCRIPTION	SERIAL NUMBER /REMARKS
104	NPN		RF	INTERNAL COMPONENTS 1	
1	FC0-2513-000		1	HINGE, RIGHT DOOR, LOWER	
2	FC8-6380-000		3	CLIP	
3	FL1-4039-000		1	BUSHING	
4	FC9-0562-010		2	LEVER, RIGHT	
5	FC9-0989-000		1	SPRING, CONTACT	
6	FC9-0990-000		1	SPRING, CONTACT	
7	FC9-0991-000		1	SPRING, CONTACT	
8	FE4-6484-010		1	CAM, HINGE, RIGHT DOOR	
9	FK2-9142-000		1	MOTOR, DC	M1
10	FK2-9153-000		3	CLUTCH	CL1, CL3, CL12
11	FM1-J189-000		1	GUIDE, PRE-TRANSFER, UPPER	
12	FM2-K813-000		1	CABLE, DOOR, RIGHT	
13	FM3-9250-000		1	ROLLER, REG. PRESSURE	
14	VS1-8412-015		1	CONNECTOR, SNAP TIGHT, BL	
15	XA9-1386-000		15	SCREW,RS,M3X8	
16	XD9-0136-000		4	RETAINING RING (E-TYPE)	
17	XD9-0137-010		2	RING, E	
18	FE2-H893-000		2	FOOT, RUBBER	

Figure 105C INTERNAL COMPONENTS 2 (IR 2645, 2635 SERIES)

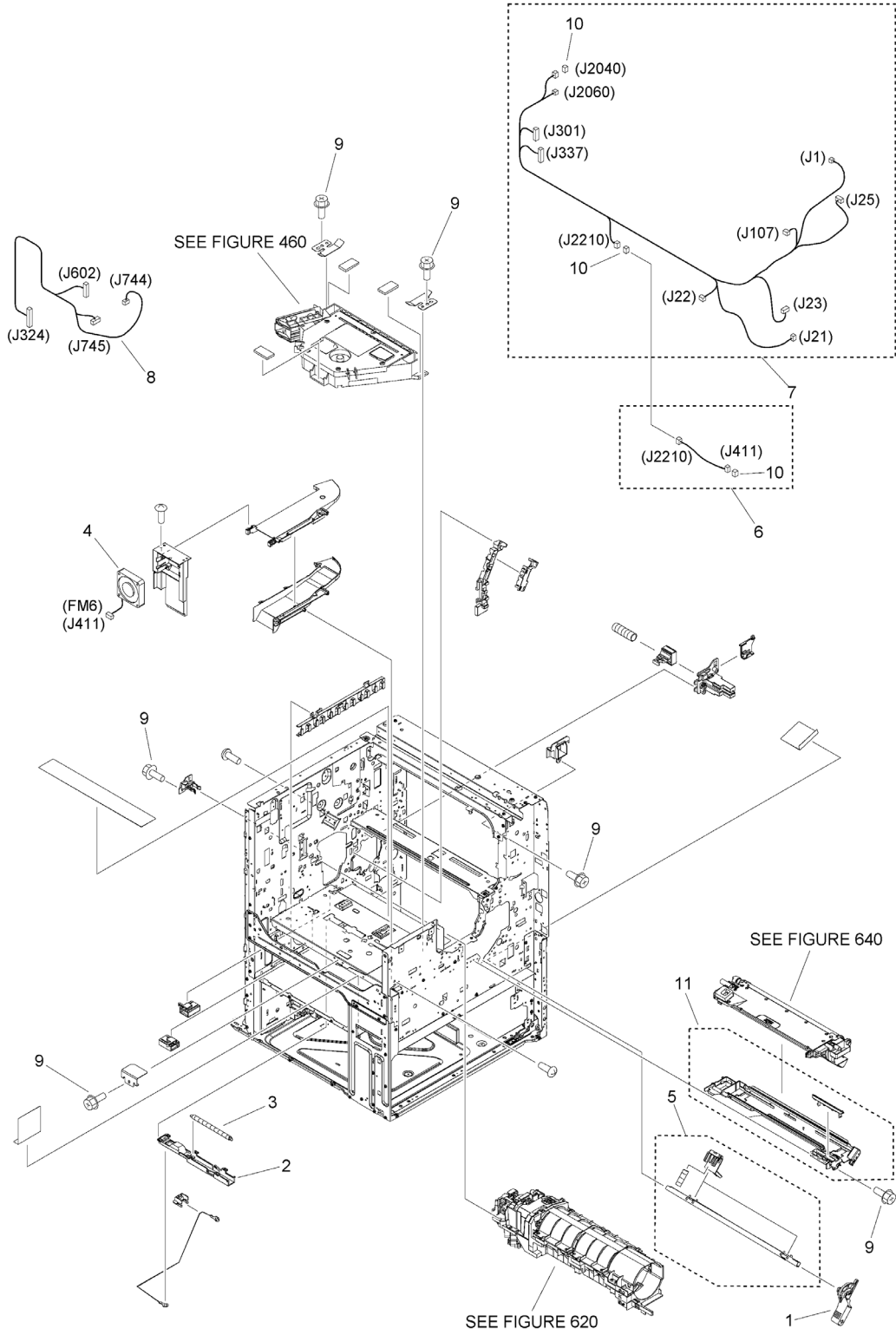


FIGURE & KEY NO.	PART NUMBER	RANK	QTY	DESCRIPTION	SERIAL NUMBER /REMARKS
105C	NPN		RF	INTERNAL COMPONENTS 2	IR 2645, 2635 SERIES
1	FE8-8404-000		1	HANDLE, PRESSURE	
2	FC9-1623-010		1	LINK, LASER SHUTTER	
3	FU7-2972-000		1	SPRING, TENSION	
4	FK2-0472-010		1	FAN	FM6
5	FM1-V142-000		1	DEVELOPING PRESSURE ASSEMBLY	
6	FM1-C863-010		1	CABLE, COOLING FAN	
7	FM2-K815-000		1	CABLE, DC CONTROLLER, FRONT	
8	FM1-N874-000		1	CABLE, LASER	
9	XA9-1386-000		15	SCREW,RS,M3X8	
10	VS1-7177-003		3	CONNECTOR, SNAP TIGHT, BK	
11	FM3-9270-000		1	DEVELOPING CROSSMEMBER ASS'Y	

Figure 105D INTERNAL COMPONENTS 2 (IR 2630, 2625 SERIES)

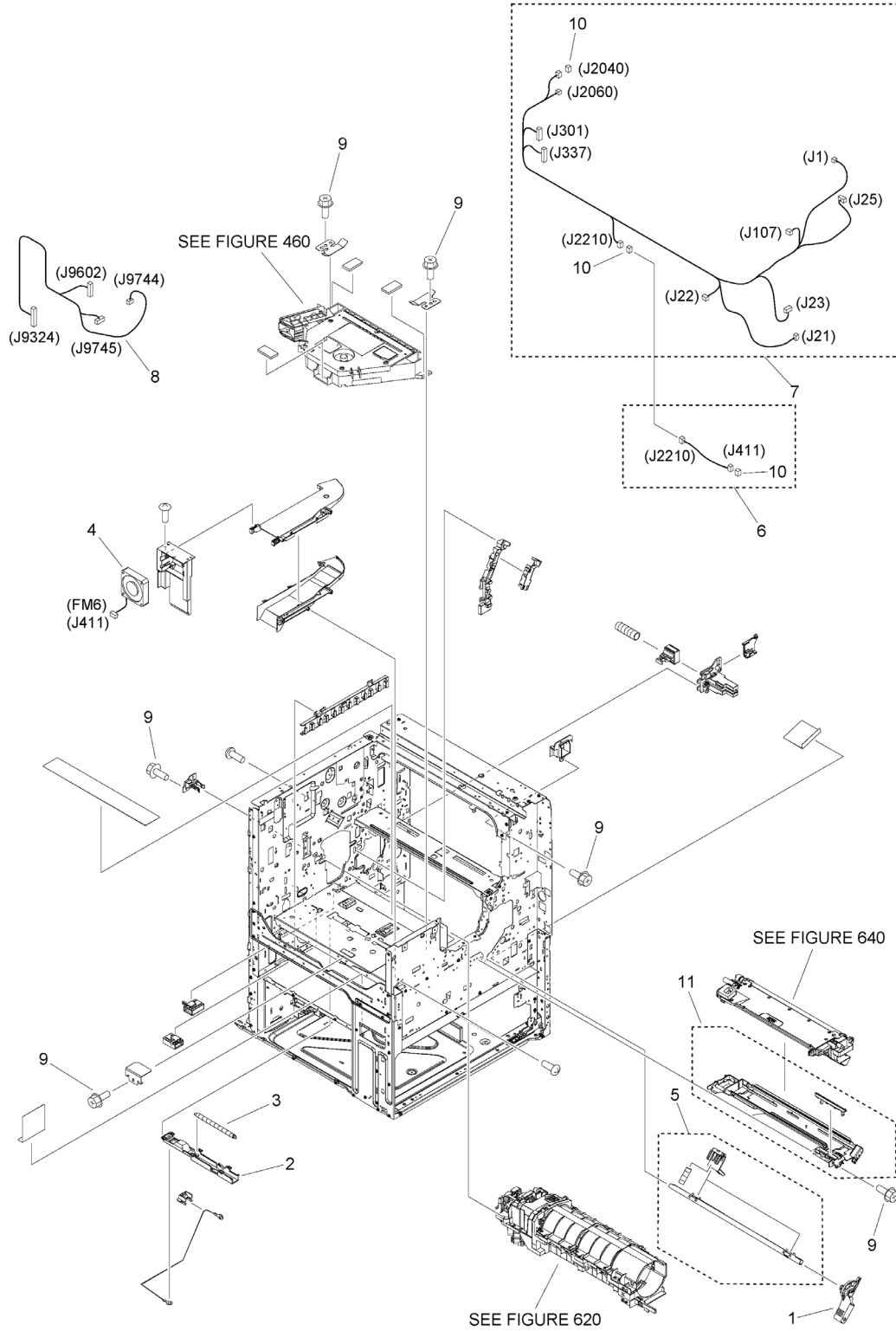


FIGURE & KEY NO.	PART NUMBER	RANK	QTY	DESCRIPTION	SERIAL NUMBER /REMARKS
105D	NPN		RF	INTERNAL COMPONENTS 2	IR 2630, 2625 SERIES
1	FE8-8404-000		1	HANDLE, PRESSURE	
2	FC9-1623-010		1	LINK, LASER SHUTTER	
3	FU7-2972-000		1	SPRING, TENSION	
4	FK2-0472-010		1	FAN	FM6
5	FM1-V142-000		1	DEVELOPING PRESSURE ASSEMBLY	
6	FM1-C863-010		1	CABLE, COOLING FAN	
7	FM2-K815-000		1	CABLE, DC CONTROLLER, FRONT	
8	FM1-N898-000		1	CABLE, LASER	
9	XA9-1386-000		15	SCREW,RS,M3X8	
10	VS1-7177-003		3	CONNECTOR, SNAP TIGHT, BK	
11	FM3-9270-000		1	DEVELOPING CROSSMEMBER ASS'Y	

Figure 106C INTERNAL COMPONENTS 3 (MODEL WITH HEATER)

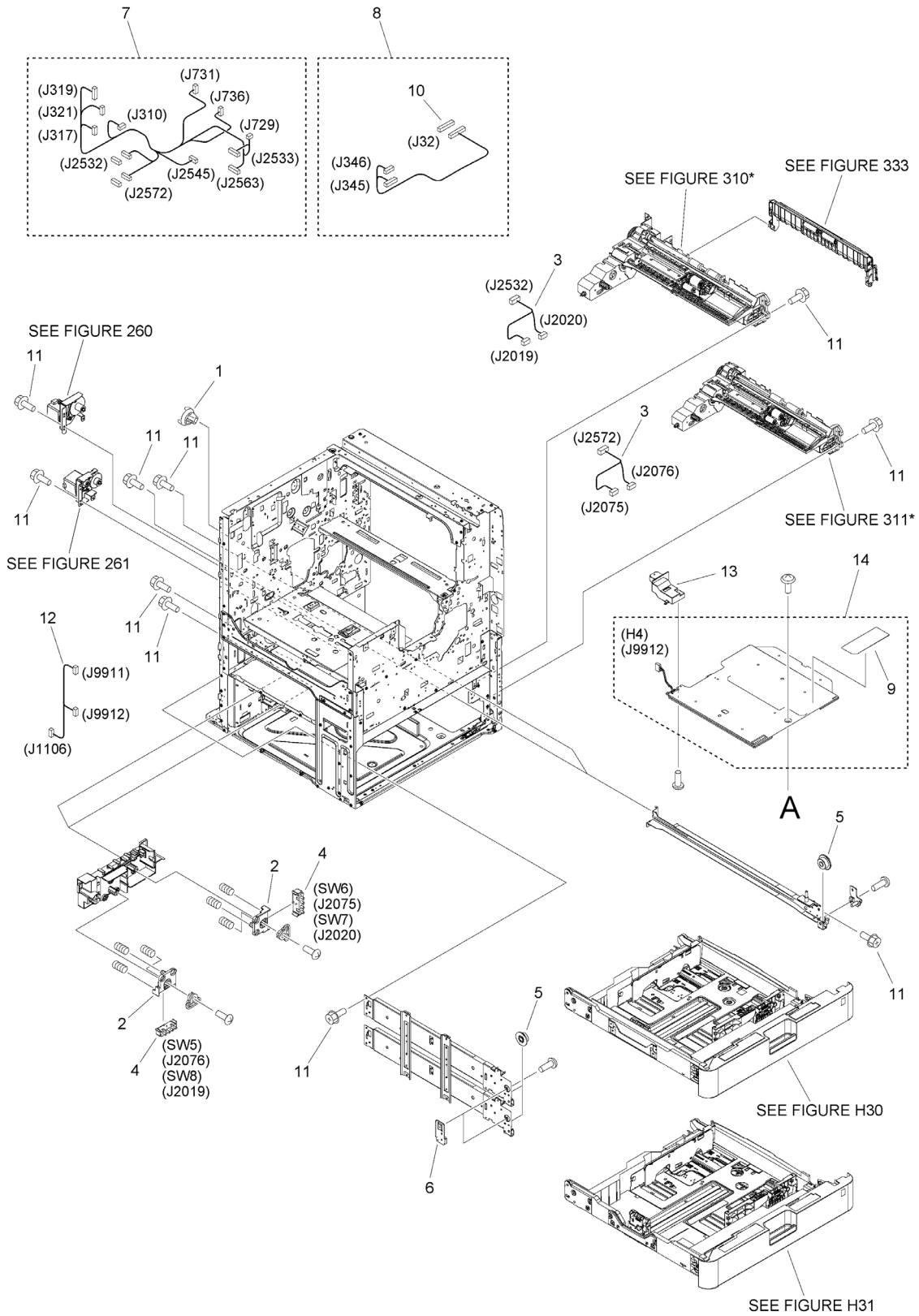


FIGURE & KEY NO.	PART NUMBER	RANK	QTY	DESCRIPTION	SERIAL NUMBER /REMARKS
106C	NPN		RF	INTERNAL COMPONENTS 3	MODEL WITH HEATER
1	FU5-1030-000		1	BUSHING	
2	FC8-2478-000		4	HOLDER, SWITCH	
3	FM4-2903-000		2	CABLE, SIZE DETECT	
4	WC2-5761-000		4	SWITCH, DETECT PUSH	SW5, SW6, SW7, SW8
5	FC8-4999-000		2	ROLLER, RAIL	
6	FL3-1456-000		2	RAIL, ROLLER SHAFT PLATE, LEFT	
7	FM2-K814-000		1	CABLE, CASSETTE	
8	FM2-K822-000		1	CABLE, OPTION CASSETTE	
9	FU6-8647-000		1	LABEL, HIGH TMP. CAUTION	
10	VS1-8412-015		1	CONNECTOR, SNAP TIGHT, BL	
11	XA9-1386-000		15	SCREW,RS,M3X8	
12	FM4-7640-000		1	CABLE, CASSETTE HEATER	
13	FC9-4691-000		1	COVER, HEATER CONNECTOR	
14	FM0-4834-000		1	CASSETTE HEATER ASSEMBLY	H4

Figure 106D INTERNAL COMPONENTS 3 (MODEL WITHOUT HEATER)

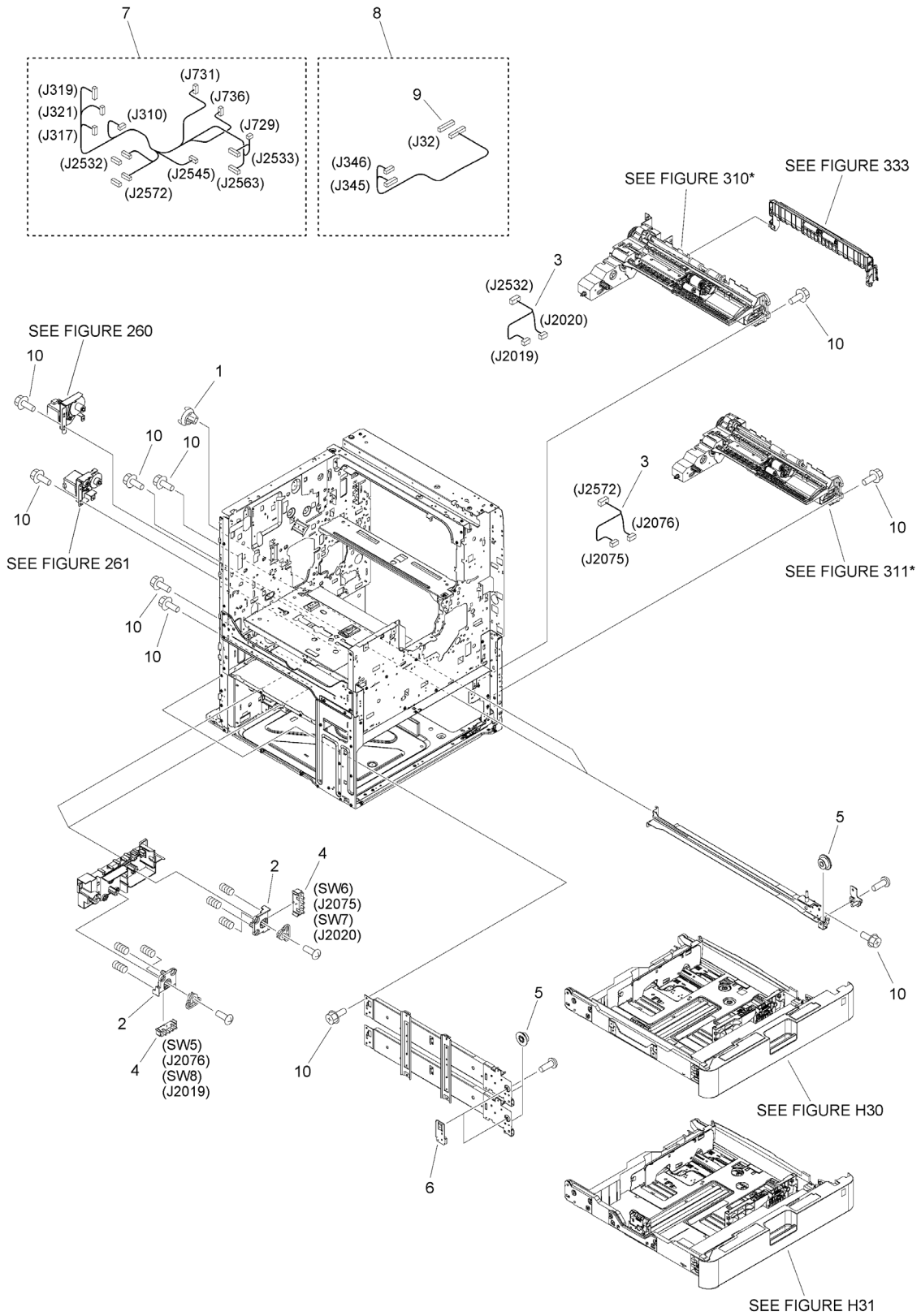
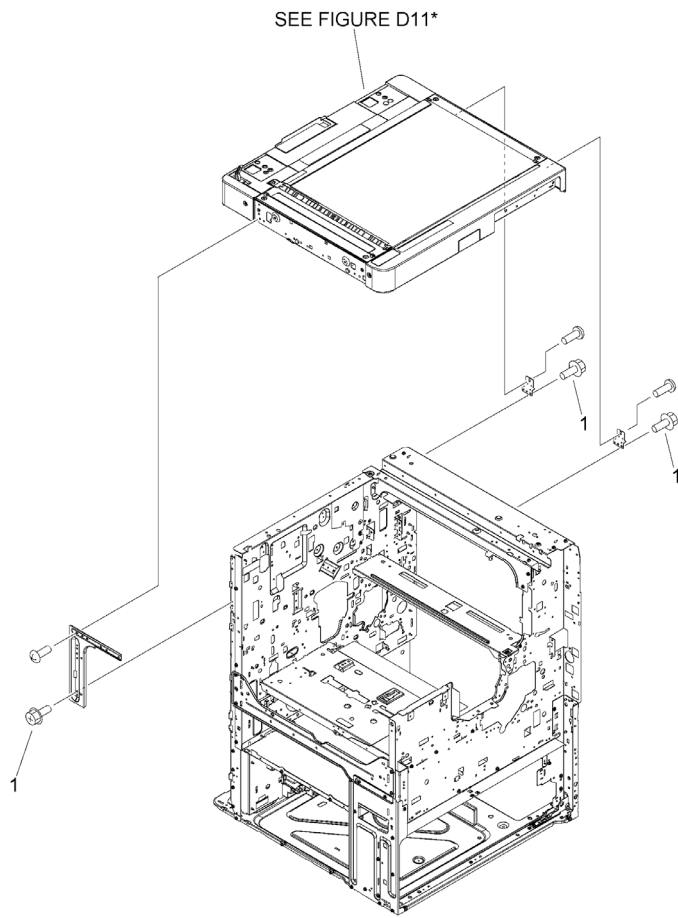


FIGURE & KEY NO.	PART NUMBER	RANK	QTY	DESCRIPTION	SERIAL NUMBER /REMARKS
106D	NPN		RF	INTERNAL COMPONENTS 3	MODEL WITHOUT HEATER
1	FU5-1030-000		1	BUSHING	
2	FC8-2478-000		4	HOLDER, SWITCH	
3	FM4-2903-000		2	CABLE, SIZE DETECT	
4	WC2-5761-000		4	SWITCH, DETECT PUSH	SW5, SW6, SW7, SW8
5	FC8-4999-000		2	ROLLER, RAIL	
6	FL3-1456-000		2	RAIL, ROLLER SHAFT PLATE, LEFT	
7	FM2-K814-000		1	CABLE, CASSETTE	
8	FM2-K822-000		1	CABLE, OPTION CASSETTE	
9	VS1-8412-015		1	CONNECTOR, SNAP TIGHT, BL	
10	XA9-1386-000		15	SCREW,RS,M3X8	

FIGURE & KEY NO.	PART NUMBER	R A N K	QTY	DESCRIPTION	SERIAL NUMBER /REMARKS
107	NPN		RF	INTERNAL COMPONENTS 4	
1	FC9-0535-000		1	RAIL, FIXING, FRONT	
2	FC9-0536-000		1	RAIL, FIXING, REAR	
3	FM2-K817-000		1	CABLE, COOLING FAN	
4	VS1-7177-002		1	CONNECTOR, SNAP TIGHT, BK	
5	VS1-7177-003		2	CONNECTOR, SNAP TIGHT, BK	
6	XA9-1386-000		15	SCREW,RS,M3X8	
7	FM1-Z807-000		1	USB RELAY PCB ASSEMBLY	UN43
8	FE8-4230-000		1	PLATE, GROUNDING	
9	FK4-6056-000		1	CABLE, USBH	

Figure 108E INTERNAL COMPONENTS 5 (2645, 2635 SERIES SG, HK, IN)





2020-12-16

FIGURE & KEY NO.	PART NUMBER	R A N K	QTY	DESCRIPTION	SERIAL NUMBER /REMARKS
108E	NPN		RF	INTERNAL COMPONENTS 5	IR 2645, 2635 SERIES SG, HK, IN
1	XA9-1386-000		4	SCREW,RS,M3X8	

Figure 108F INTERNAL COMPONENTS 5 (2630, 2625 SERIES SG, HK, IN)

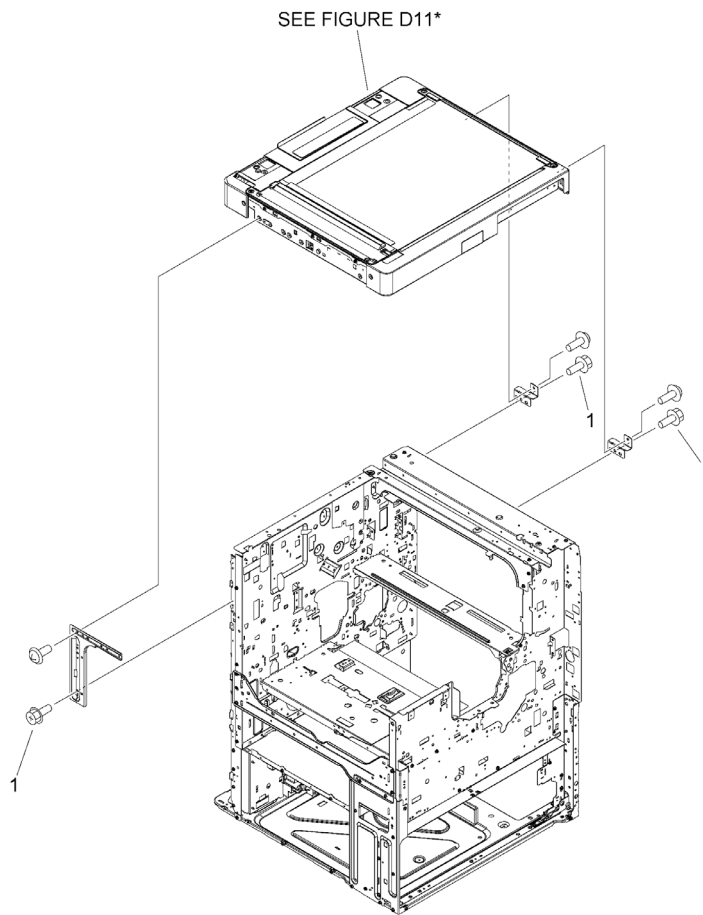


FIGURE & KEY NO.	PART NUMBER	R A N K	QTY	DESCRIPTION	SERIAL NUMBER /REMARKS
108F	NPN		RF	INTERNAL COMPONENTS 5	IR 2630, 2625 SERIES SG, HK, IN
1	XA9-1386-000		4	SCREW,RS,M3X8	

Figure 108G INTERNAL COMPONENTS 5 (IR 2625i TW)

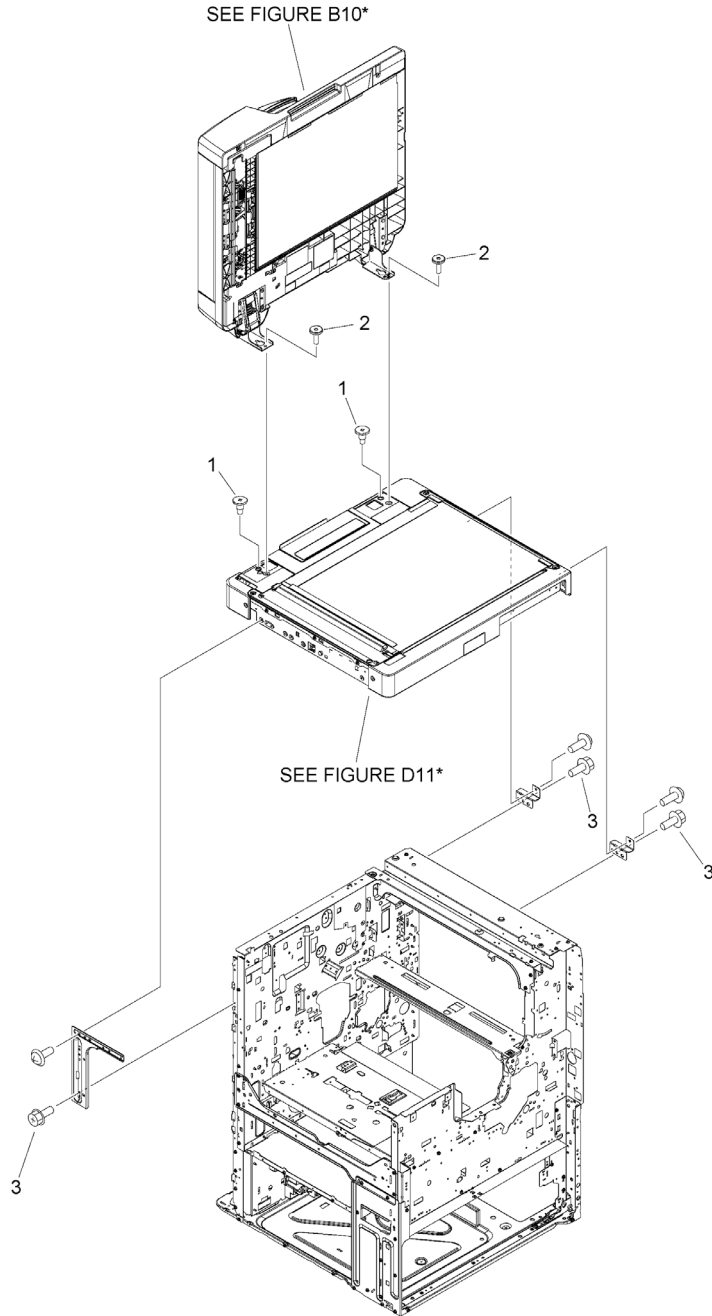


FIGURE & KEY NO.	PART NUMBER	R A N K	QTY	DESCRIPTION	SERIAL NUMBER /REMARKS
108G	NPN		RF	INTERNAL COMPONENTS 5	IR 2625i TW
1	FU5-9139-000		2	SCREW, STEPPED, M5X6	
2	FU5-9167-000		2	SCREW, FIXED, M4	
3	XA9-1386-000		4	SCREW,RS,M3X8	

Figure 109D MACHINE REAR PLATE 1 (MODEL WITH HEATER)

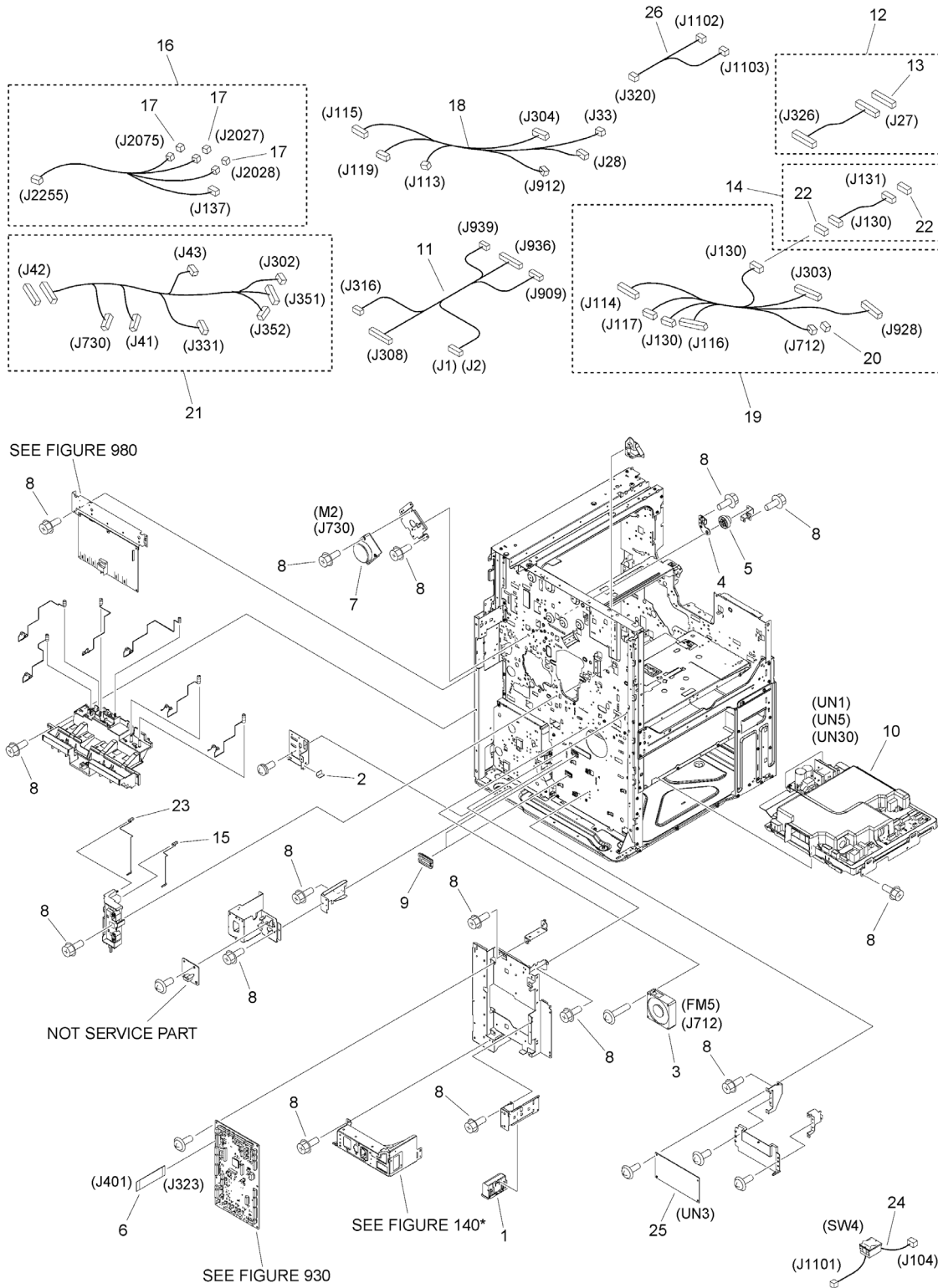




FIGURE & KEY NO.	PART NUMBER	RANK	QTY	DESCRIPTION	SERIAL NUMBER /REMARKS
109D	NPN		RF	MACHINE REAR PLATE 1	MODEL WITH HEATER
1	FC6-4689-000		1	HANDLE	
2	FC9-8976-000		1	SHEET, CONNECTING PLATE	
3	FK2-0360-000		1	FAN	FM5
4	FE4-6884-000		1	RAIL, PRS RELEASE	
5	FE4-7123-000		1	GEAR, 63T/19T	
6	FK4-6031-000		1	CABLE, FFC, HVT	
7	FK4-2681-000		1	MOTOR, DC	M2
8	XA9-1386-000		15	SCREW,RS,M3X8	
9	FC7-2409-000		2	BUSHING	
10	FM1-W719-000		1	POWER SUPPLY ASSEMBLY	UN1, UN5, UN30
11	FM2-K818-000		1	CABLE, SOFT ID	
12	FM2-K811-000		1	CABLE, FINISHER	
13	VS1-8412-013		1	CONNECTOR, SNAP TIGHT, BL	
14	FM2-J850-000		1	CABLE, CONNECTING	
15	FC9-0993-000		1	SPRING, CONTACT	
16	FM1-N900-000		1	CABLE, MAIN FEED	
17	VS1-7177-002		3	CONNECTOR, SNAP TIGHT, BK	
18	FM2-K810-000		1	CABLE, AC	
19	FM2-K809-000		1	CABLE, SIGNAL	
20	VS1-7177-003		1	CONNECTOR, SNAP TIGHT, BK	
21	FM2-K816-000		1	CABLE, HOPPER CONNECTING	
22	VS1-8959-003		2	CONNECTOR, SNAP TIGHT, 3P, W	
23	FC9-0992-000		1	SPRING, CONTACT	
24	FM4-7627-000		1	CABLE, ENVIRONMENT SWITCH	SW4
25	FM1-N928-000		1	CASSETTE HEATER PCB ASSEMBLY	UN3
26	FM2-K821-000		1	CABLE, HEATER	

Figure 109E MACHINE REAR PLATE 1 (MODEL WITHOUT HEATER)

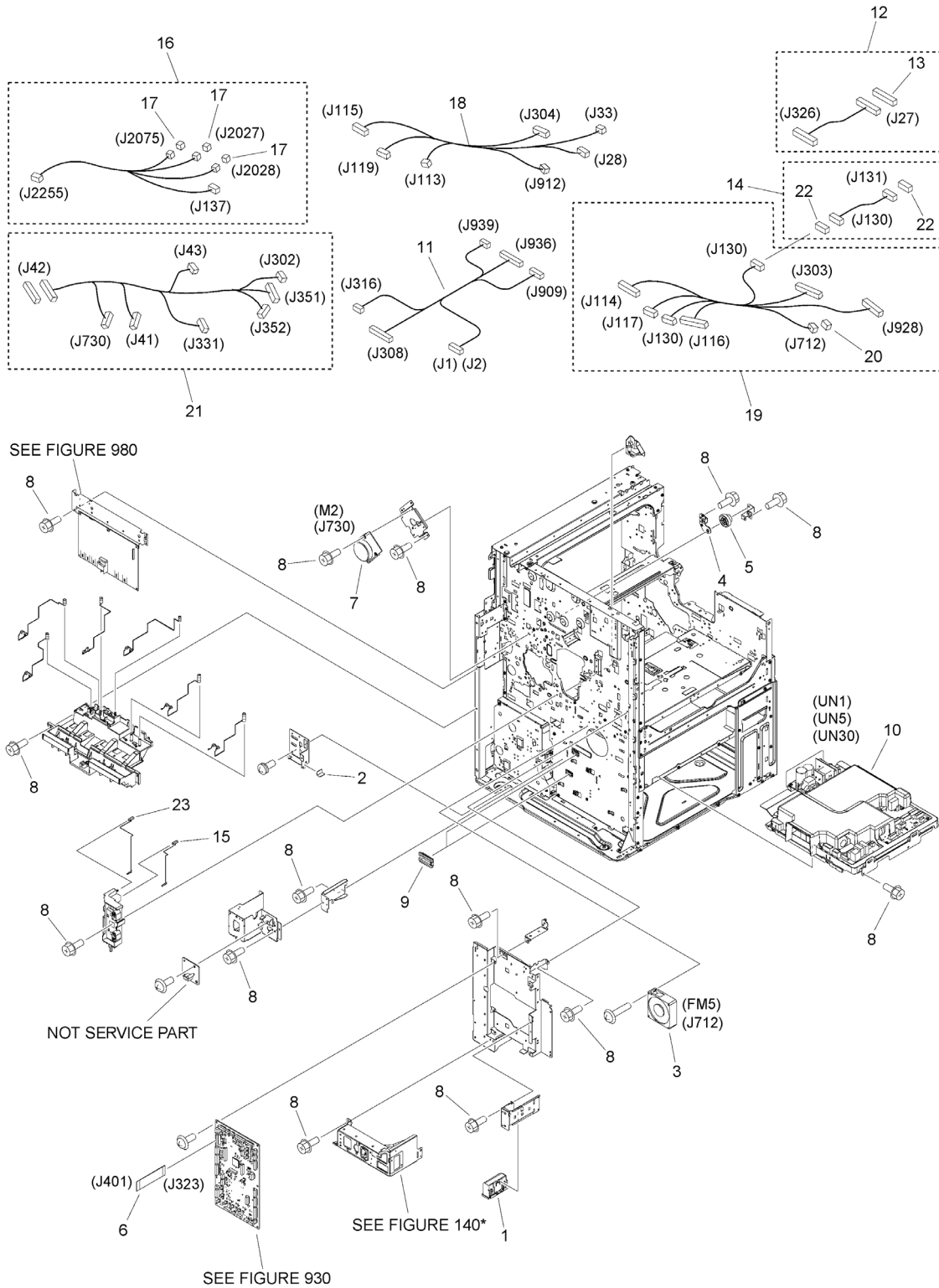
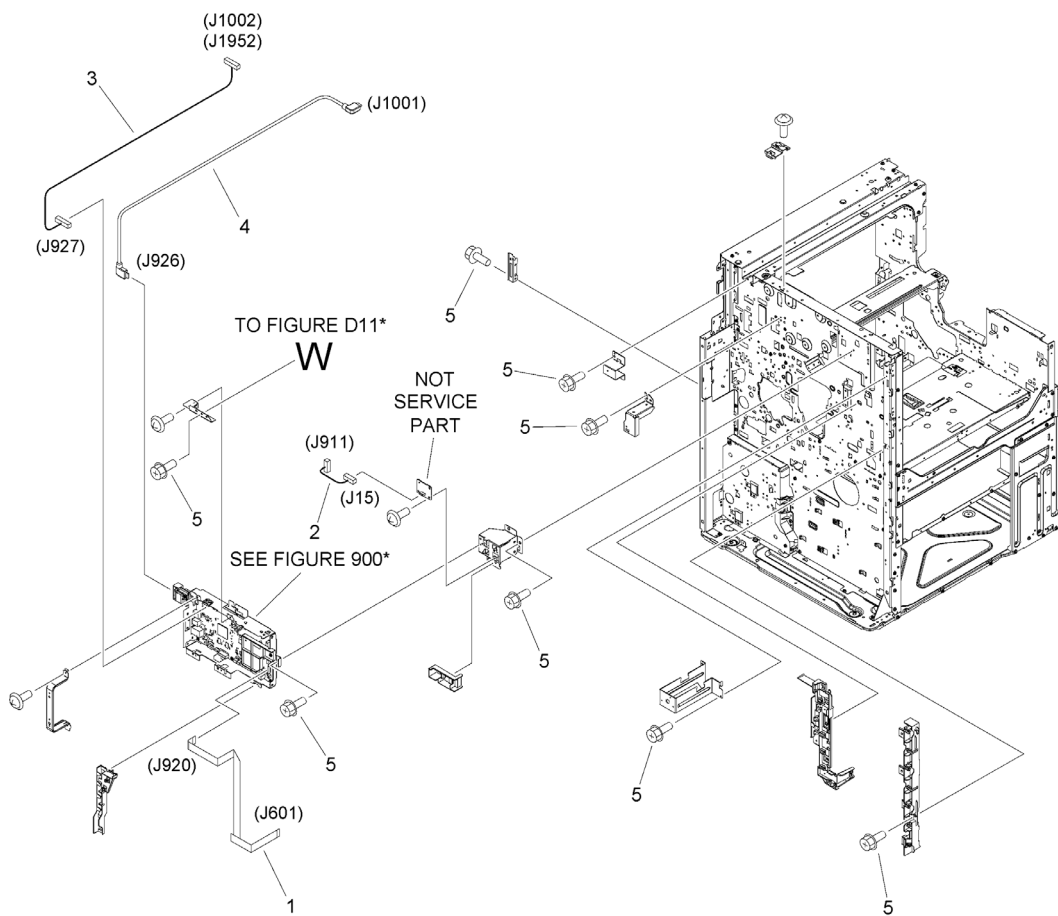


FIGURE & KEY NO.	PART NUMBER	RANK	QTY	DESCRIPTION	SERIAL NUMBER /REMARKS
109E	NPN		RF	MACHINE REAR PLATE 1	MODEL WITHOUT HEATER
1	FC6-4689-000		1	HANDLE	
2	FC9-8976-000		1	SHEET, CONNECTING PLATE	
3	FK2-0360-000		1	FAN	FM5
4	FE4-6884-000		1	RAIL, PRS RELEASE	
5	FE4-7123-000		1	GEAR, 63T/19T	
6	FK4-6031-000		1	CABLE, FFC, HVT	
7	FK4-2681-000		1	MOTOR, DC	M2
8	XA9-1386-000		15	SCREW,RS,M3X8	
9	FC7-2409-000		2	BUSHING	
10	FM1-W717-000		1	POWER SUPPLY ASSEMBLY	UN1, UN5, UN30 120V
10	FM1-W719-000		1	POWER SUPPLY ASSEMBLY	UN1, UN5, UN30 230V
11	FM2-K818-000		1	CABLE, SOFT ID	
12	FM2-K811-000		1	CABLE, FINISHER	
13	VS1-8412-013		1	CONNECTOR, SNAP TIGHT, BL	
14	FM2-J850-000		1	CABLE, CONNECTING	
15	FC9-0993-000		1	SPRING, CONTACT	
16	FM1-N900-000		1	CABLE, MAIN FEED	
17	VS1-7177-002		3	CONNECTOR, SNAP TIGHT, BK	
18	FM2-K810-000		1	CABLE, AC	
19	FM2-K809-000		1	CABLE, SIGNAL	
20	VS1-7177-003		1	CONNECTOR, SNAP TIGHT, BK	
21	FM2-K816-000		1	CABLE, HOPPER CONNECTING	
22	VS1-8959-003		2	CONNECTOR, SNAP TIGHT, 3P, W	
23	FC9-0992-000		1	SPRING, CONTACT	

Figure 110B MACHINE REAR PLATE 2 (IR 2645, 2635 SERIES)





2020-12-16

FIGURE & KEY NO.	PART NUMBER	RANK	QTY	DESCRIPTION	SERIAL NUMBER /REMARKS
110B	NPN		RF	MACHINE REAR PLATE 2	IR 2645, 2635 SERIES
1	FK4-6032-000		1	CABLE, FFC, LASER	
2	FM2-K992-000		1	CABLE, SIGNAL	
3	FM2-K843-000		1	CABLE, TOUCH PANEL	
4	FK4-6054-000		1	CABLE, UI	
5	XA9-1386-000		15	SCREW,RS,M3X8	

Figure 110E MACHINE REAR PLATE 2 (IR 2630, 2625 SERIES)

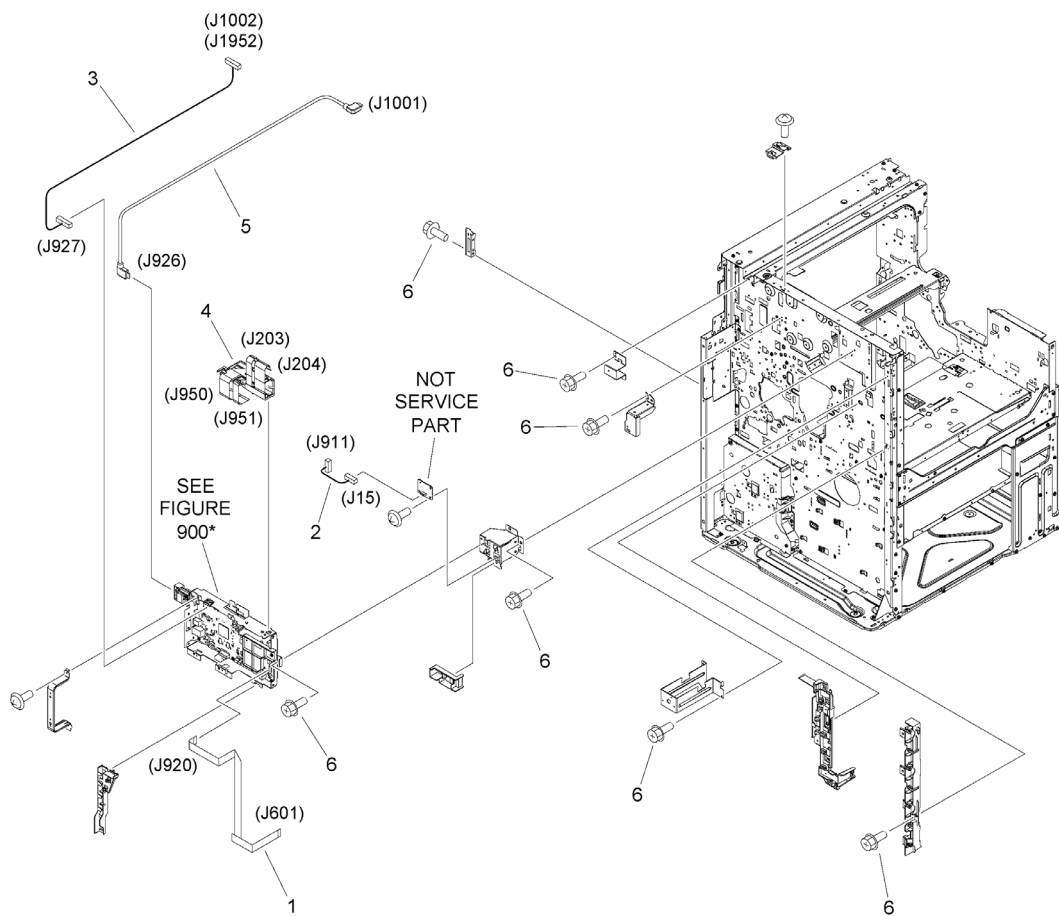
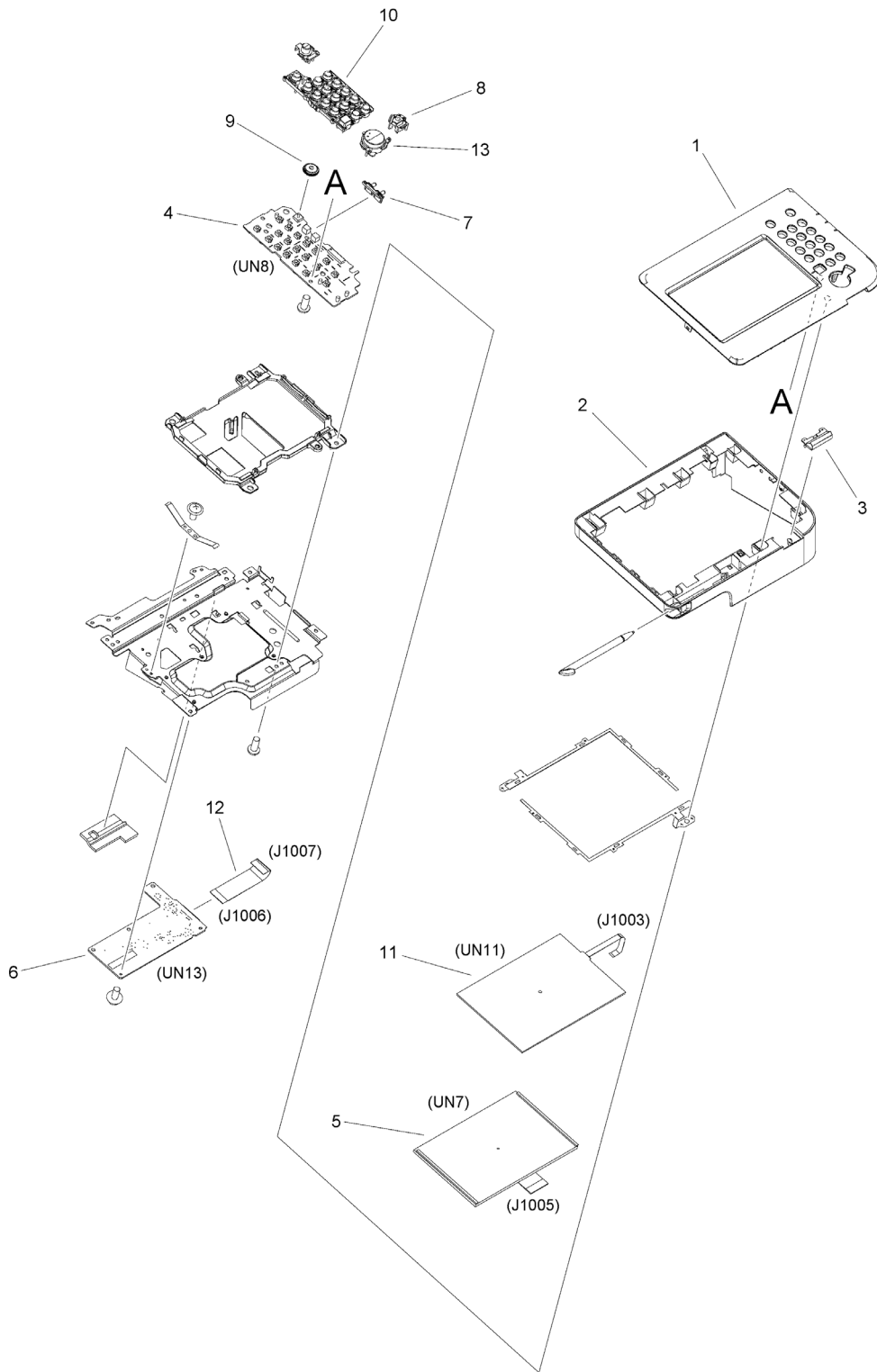


FIGURE & KEY NO.	PART NUMBER	R A N K	QTY	DESCRIPTION	SERIAL NUMBER /REMARKS
110E	NPN		RF	MACHINE REAR PLATE 2	IR 2630, 2625 SERIES
1	FK4-6032-000		1	CABLE, FFC, LASER	
2	FM2-K992-000		1	CABLE, SIGNAL	
3	FM2-K843-000		1	CABLE, TOUCH PANEL	
4	FM1-W162-000		1	READER FFC CABLE UNIT	
5	FK4-6054-000		1	CABLE, UI	
6	XA9-1386-000		15	SCREW,RS,M3X8	

Figure 130D CONTROL PANEL ASSEMBLY (SG, HK, IN)





2020-12-16

FIGURE & KEY NO.	PART NUMBER	R A N K	QTY	DESCRIPTION	SERIAL NUMBER /REMARKS
130D	FM1-W014-000		1	CONTROL PANEL ASSEMBLY	SG, HK, IN
1	FL1-7606-000		1	PANEL, CONTROL	
2	FE2-C444-000		1	COVER, SIDE, CONTROL	
3	FE2-C449-000		1	GUIDE, LIGHT	
4	FM2-J922-000		1	KEY TOP PCB ASSEMBLY	UN8
5	FM1-W020-000		1	LCD UNIT	UN7
6	FM2-J919-000		1	CONTROL PANEL MAIN PCB ASS'Y	UN13
7	FE2-C569-000		1	KEY TOP, VOLUME	
8	FL4-0132-000		1	KEY TOP, STOP	
9	FE2-C568-000		1	DIAL, CONTRAST	
10	FM1-W724-000		1	KEY TOP, NUMBERS	
11	FK4-5104-000		1	PANEL, TOUCH	UN11
12	FK4-6189-000		1	CABLE, CONTROL PANEL FLAT	
13	FL1-7613-000		1	KEY TOP, START	

Figure 130E CONTROL PANEL ASSEMBLY (TW)

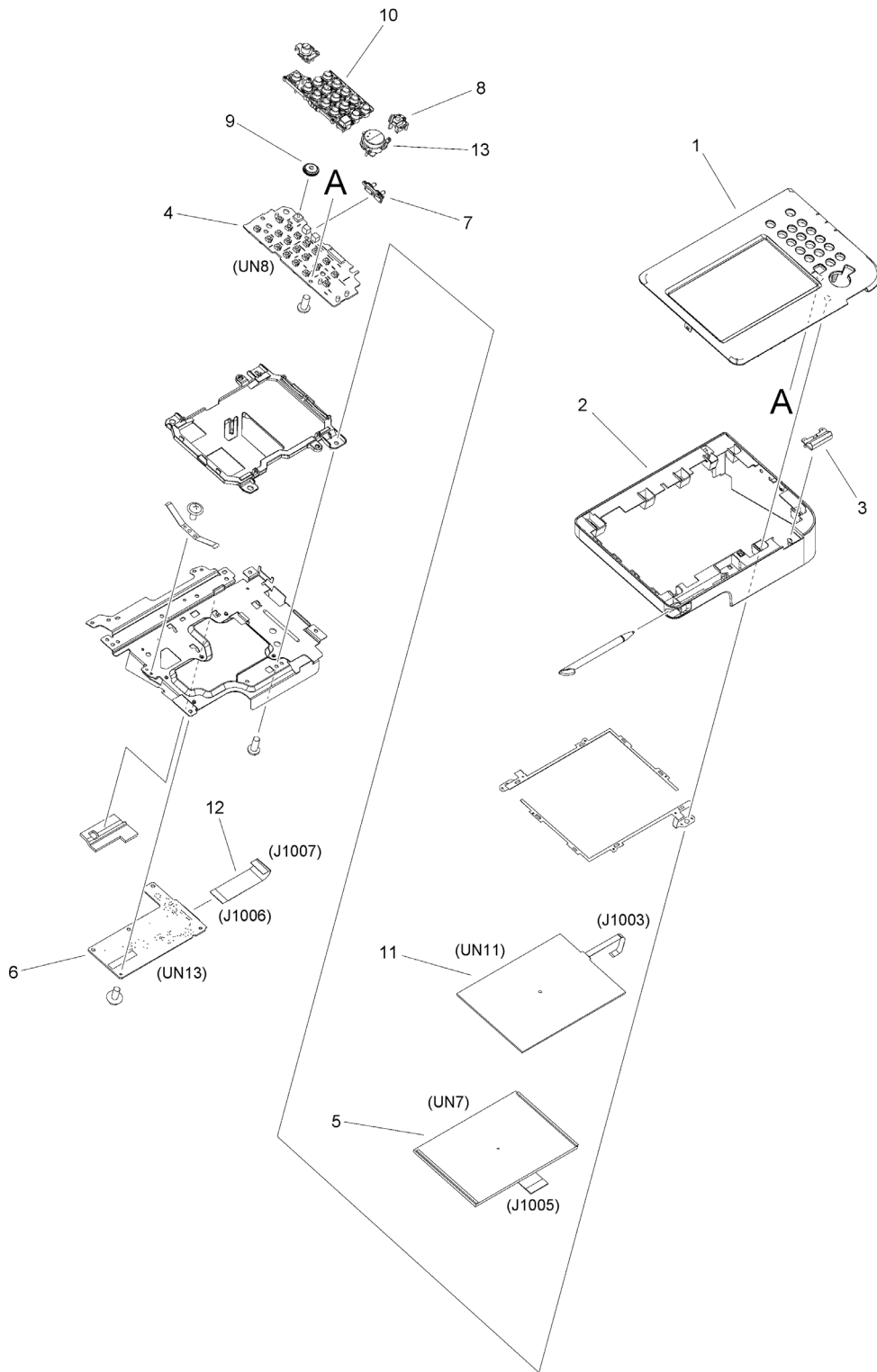


FIGURE & KEY NO.	PART NUMBER	R A N K	QTY	DESCRIPTION	SERIAL NUMBER /REMARKS
130E	FM1-W016-000		1	CONTROL PANEL ASSEMBLY	TW
1	FL1-7606-000		1	PANEL, CONTROL	
2	FE2-C444-000		1	COVER, SIDE, CONTROL	
3	FE2-C449-000		1	GUIDE, LIGHT	
4	FM2-J922-000		1	KEY TOP PCB ASSEMBLY	UN8
5	FM1-W020-000		1	LCD UNIT	UN7
6	FM2-J919-000		1	CONTROL PANEL MAIN PCB ASS'Y	UN13
7	FE2-C569-000		1	KEY TOP, VOLUME	
8	FL4-0132-000		1	KEY TOP, STOP	
9	FE2-C568-000		1	DIAL, CONTRAST	
10	FM1-W724-000		1	KEY TOP, NUMBERS	
11	FK4-5104-000		1	PANEL, TOUCH	UN11
12	FK4-6189-000		1	CABLE, CONTROL PANEL FLAT	
13	FL1-7613-000		1	KEY TOP, START	

Figure 140E POWER CORD TERMINAL ASS'Y (SG, HK)

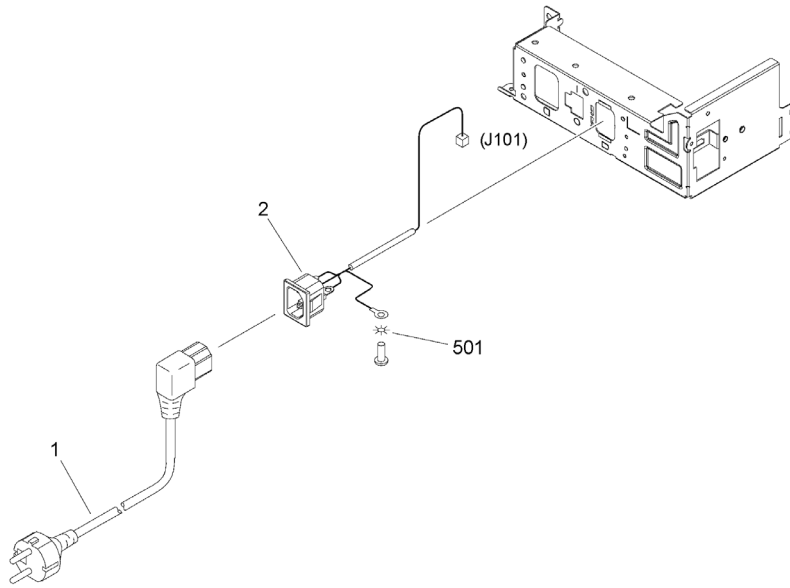
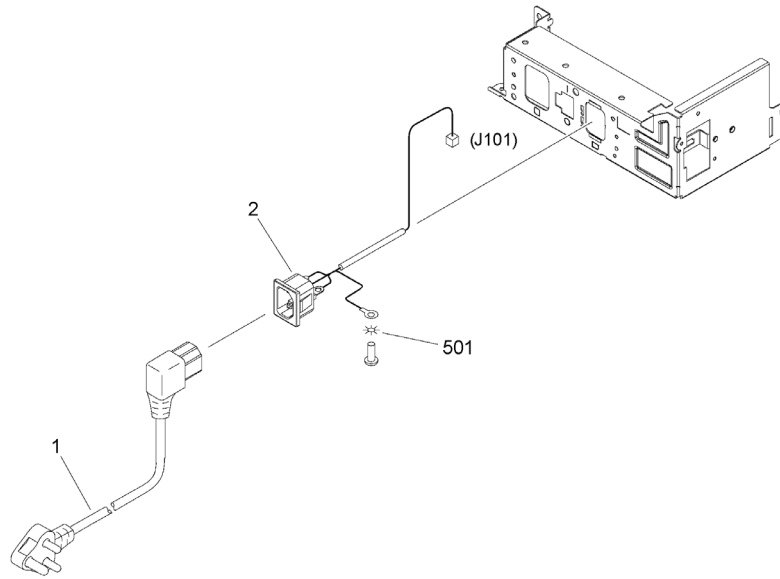


FIGURE & KEY NO.	PART NUMBER	R A N K	QTY	DESCRIPTION	SERIAL NUMBER /REMARKS
140E	NPN		RF	POWER CORD TERMINAL ASS'Y	SG, HK
1	FK4-3860-000		1	CORD, POWER	
2	FM2-K805-000		1	CABLE, AC INLET	
501	XD1-4200-402		1	WASHER, TOOTHED LOCK, M4	

Figure 140F POWER CORD TERMINAL ASS'Y (IN)

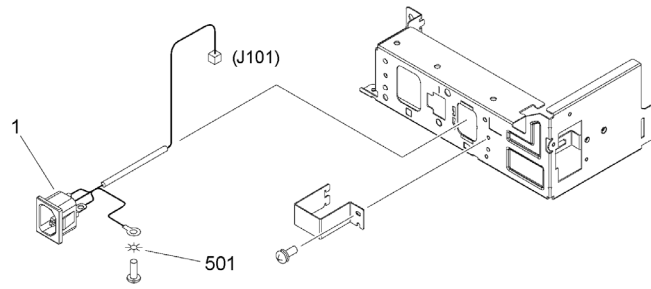




2020-12-16

FIGURE & KEY NO.	PART NUMBER	R A N K	QTY	DESCRIPTION	SERIAL NUMBER /REMARKS
140F	NPN		RF	POWER CORD TERMINAL ASS'Y	IN
1	FK4-2259-000		1	CORD, POWER	
2	FM2-K805-000		1	CABLE, AC INLET	
501	XD1-4200-402		1	WASHER, TOOTHED LOCK, M4	

Figure 140G POWER CORD TERMINAL ASS'Y (TW)





2020-12-16

FIGURE & KEY NO.	PART NUMBER	R A N K	QTY	DESCRIPTION	SERIAL NUMBER /REMARKS
140G	NPN		RF	POWER CORD TERMINAL ASS'Y	TW
1	FM2-K805-000		1	CABLE, AC INLET	
501	XD1-4200-402		1	WASHER, TOOTHED LOCK, M4	

Figure 250 MAIN DRIVE ASSEMBLY

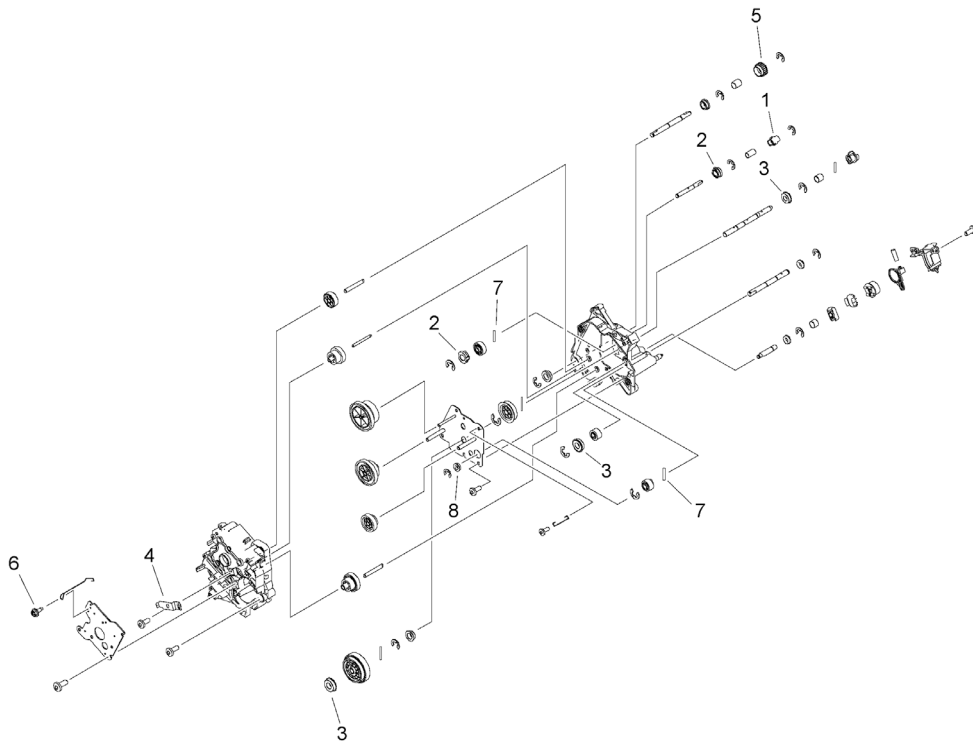


FIGURE & KEY NO.	PART NUMBER	R A N K	QTY	DESCRIPTION	SERIAL NUMBER /REMARKS
250	FM1-J142-000		1	MAIN DRIVE ASSEMBLY	
1	FC9-0922-000		1	COUPLING	
2	FC9-0923-000		2	BUSHING	
3	XG9-0794-000		3	BEARING, BALL, LNR-1680KKR	
4	FE2-0459-010		1	PLATE, GROUNDING	
5	FU8-0547-000		1	GEAR, 22T	
6	XA9-1386-000		1	SCREW,RS,M3X8	
7	XD9-0289-000		2	PIN, PARALLEL	
8	XG9-0787-000		1	BEARING, BALL, LF1060ZZHP0P25L	

Figure 260 PAPER PICK-UP DRIVE ASSEMBLY (UPPER)

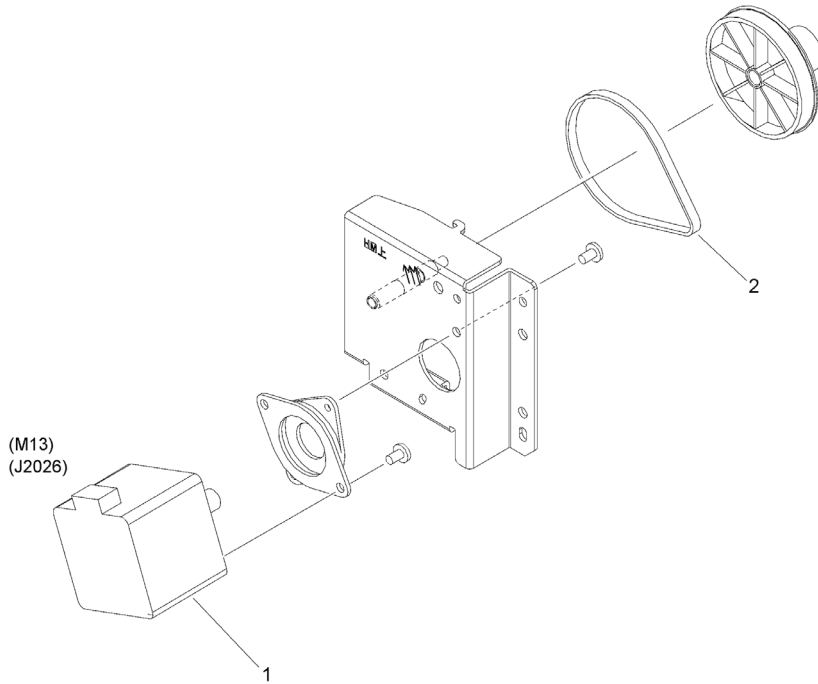


FIGURE & KEY NO.	PART NUMBER	R A N K	QTY	DESCRIPTION	SERIAL NUMBER /REMARKS
260	FM4-7923-010		1	PAPER PICK-UP DRIVE ASS'Y	UPPER
1	FK2-7327-000		1	MOTOR, STEPPING	M13
2	XF2-1609-040		1	BELT, TIMING	

Figure 261 PAPER PICK-UP DRIVE ASSEMBLY (LOWER)

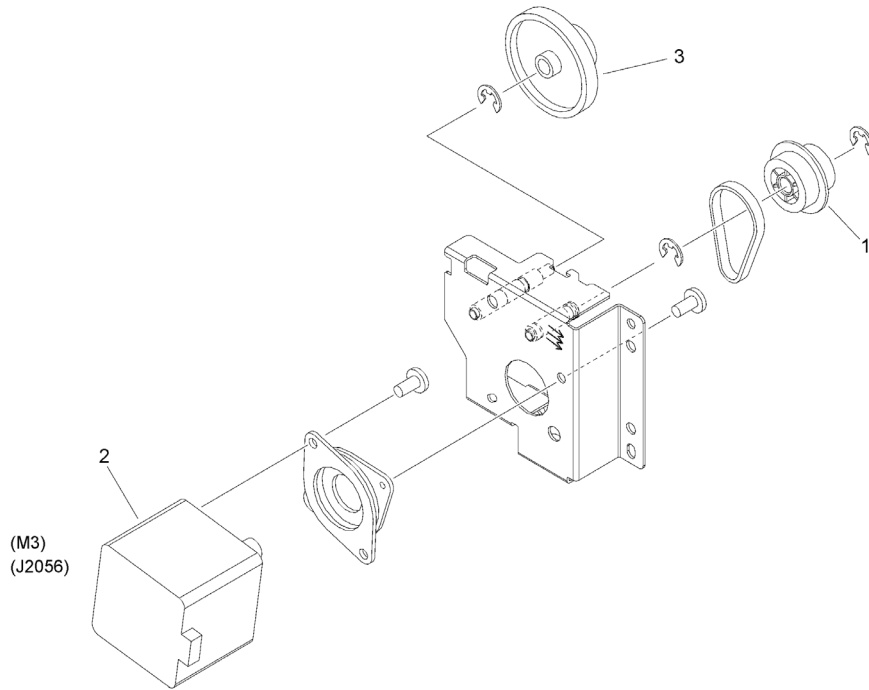


FIGURE & KEY NO.	PART NUMBER	R A N K	QTY	DESCRIPTION	SERIAL NUMBER /REMARKS
261	FM4-7902-010		1	PAPER PICK-UP DRIVE ASS'Y	LOWER
1	FC6-5022-000		1	PULLEY, 34T	
2	FK2-7327-000		1	MOTOR, STEPPING	M3
3	FU3-0285-000		1	GEAR, 80T/16T	

Figure 263 DUPLEXING DRIVE ASSEMBLY

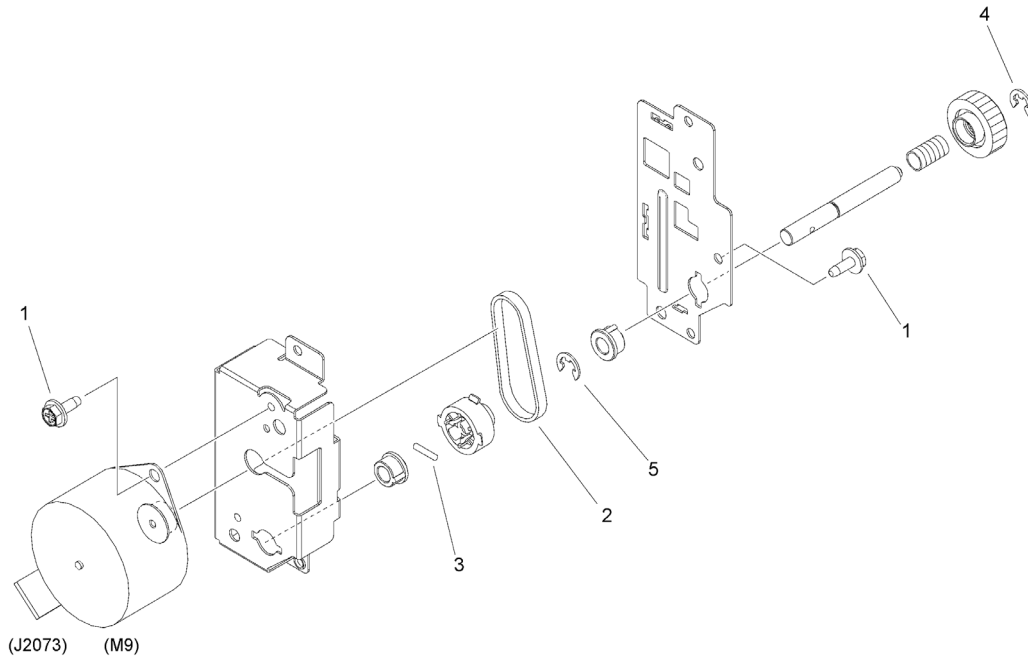


FIGURE & KEY NO.	PART NUMBER	R A N K	QTY	DESCRIPTION	SERIAL NUMBER /REMARKS
263	FM1-J057-000		1	DUPLEXING DRIVE ASSEMBLY	
1	XA9-1386-000		4	SCREW, RS, M3X8	
2	XF2-1606-040		1	BELT, TIMING	
3	XD9-0333-000		1	PIN, DOWEL	
4	XD9-0134-000		1	RING, E	
5	XD9-0136-000		1	RING, E	

Figure 270 CARTRIDGE LEFT RAIL ASSEMBLY

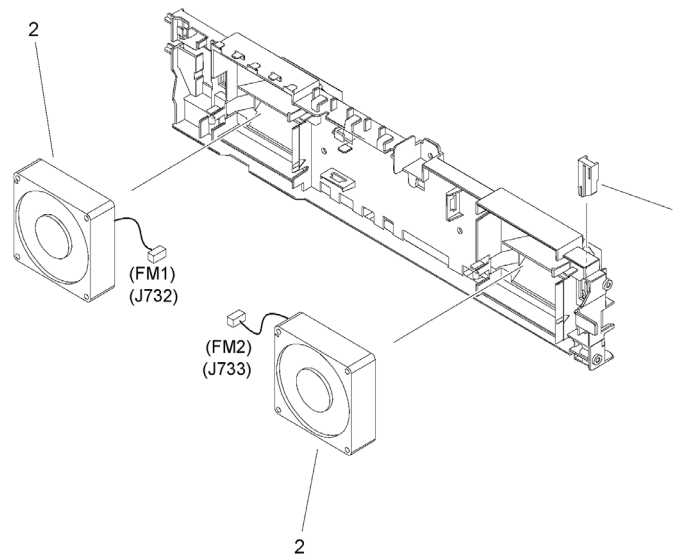


FIGURE & KEY NO.	PART NUMBER	R A N K	QTY	DESCRIPTION	SERIAL NUMBER /REMARKS
270	NPN		RF	CARTRIDGE LEFT RAIL ASSEMBLY	
1	FC9-1618-000		1	STOPPER, DRUM	
2	FK2-0360-000		2	FAN	FM1, FM2

Figure 271 CARTRIDGE RIGHT RAIL ASSEMBLY

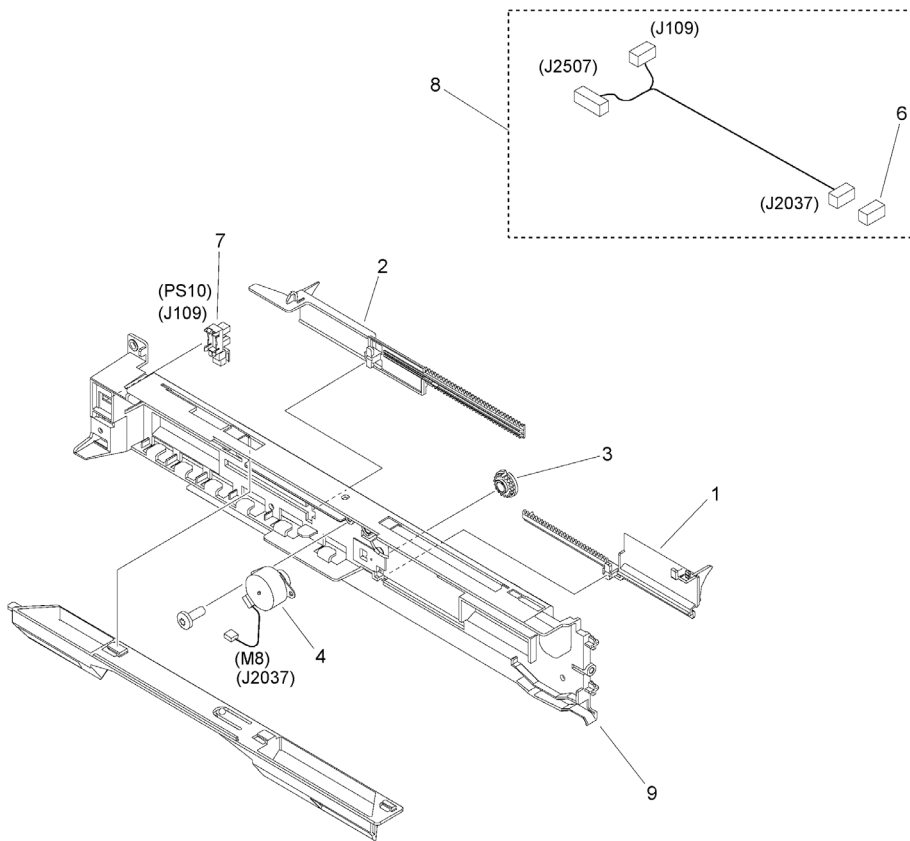


FIGURE & KEY NO.	PART NUMBER	R A N K	QTY	DESCRIPTION	SERIAL NUMBER /REMARKS
271	NPN		RF	CARTRIDGE RIGHT RAIL ASSEMBLY	
1	FE8-8414-000		1	SHUTTER, FRONT	
2	FE4-6546-000		1	SHUTTER, REAR	
3	FC9-1683-000		1	PINION, 18T	
4	FK2-9148-000		1	MOTOR, STEPPING	M8
6	VS1-7177-004		1	CONNECTOR, SNAP TIGHT, BK	
7	WG8-5836-000		1	PHOTOINTERRUPTER	PS10
8	FM1-N922-000		1	CABLE, SIDE END SHUTTER	
9	FE4-6544-000		1	RAIL, CARTRIDGE, RIGHT	

Figure 272 BOTTLE DRIVE ASSEMBLY

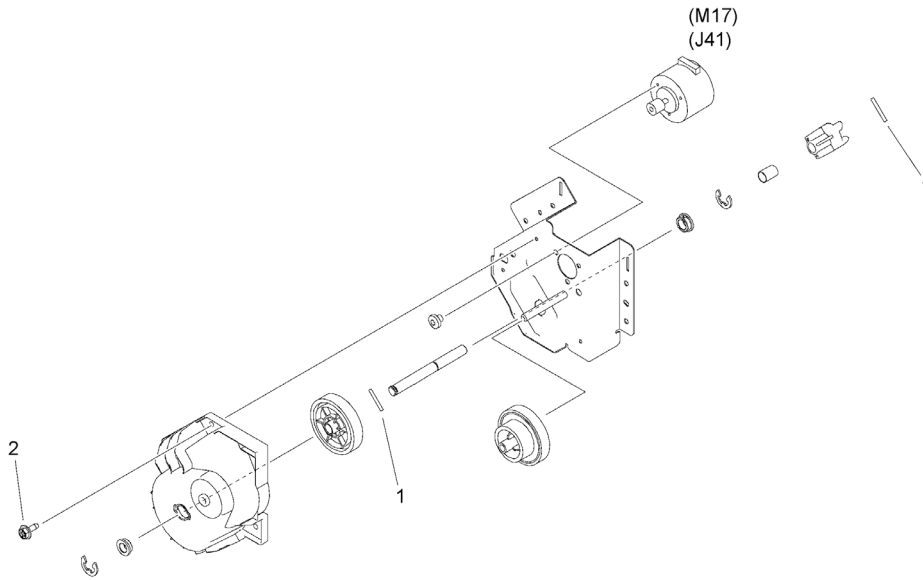


FIGURE & KEY NO.	PART NUMBER	R A N K	QTY	DESCRIPTION	SERIAL NUMBER /REMARKS
272	FM1-J135-000		1	BOTTLE DRIVE ASSEMBLY	
1	XD9-0291-000		2	PIN, PARALLEL	
2	XA9-1386-000		3	SCREW,RS,M3X8	

Figure 280 FIRST DELIVERY DRIVE ASSEMBLY

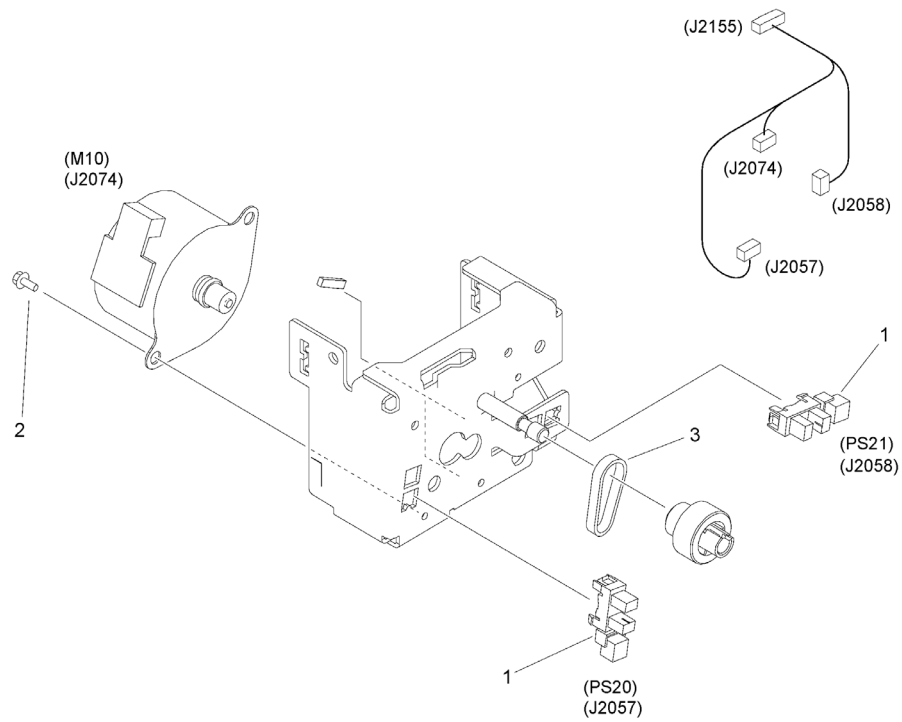


FIGURE & KEY NO.	PART NUMBER	R A N K	QTY	DESCRIPTION	SERIAL NUMBER /REMARKS
280	FM1-J126-010		1	FIRST DELIVERY DRIVE ASSEMBLY	
1	WG8-5836-000		2	IC PHOTOINTERRUPTER, HYBRID	PS20, PS21
2	XA9-1386-000		2	SCREW, RS, M3X8	
3	XF2-1603-640		1	BELT, TIMING	

Figure 310A PAPER PICK-UP ASSEMBLY (UPPER)

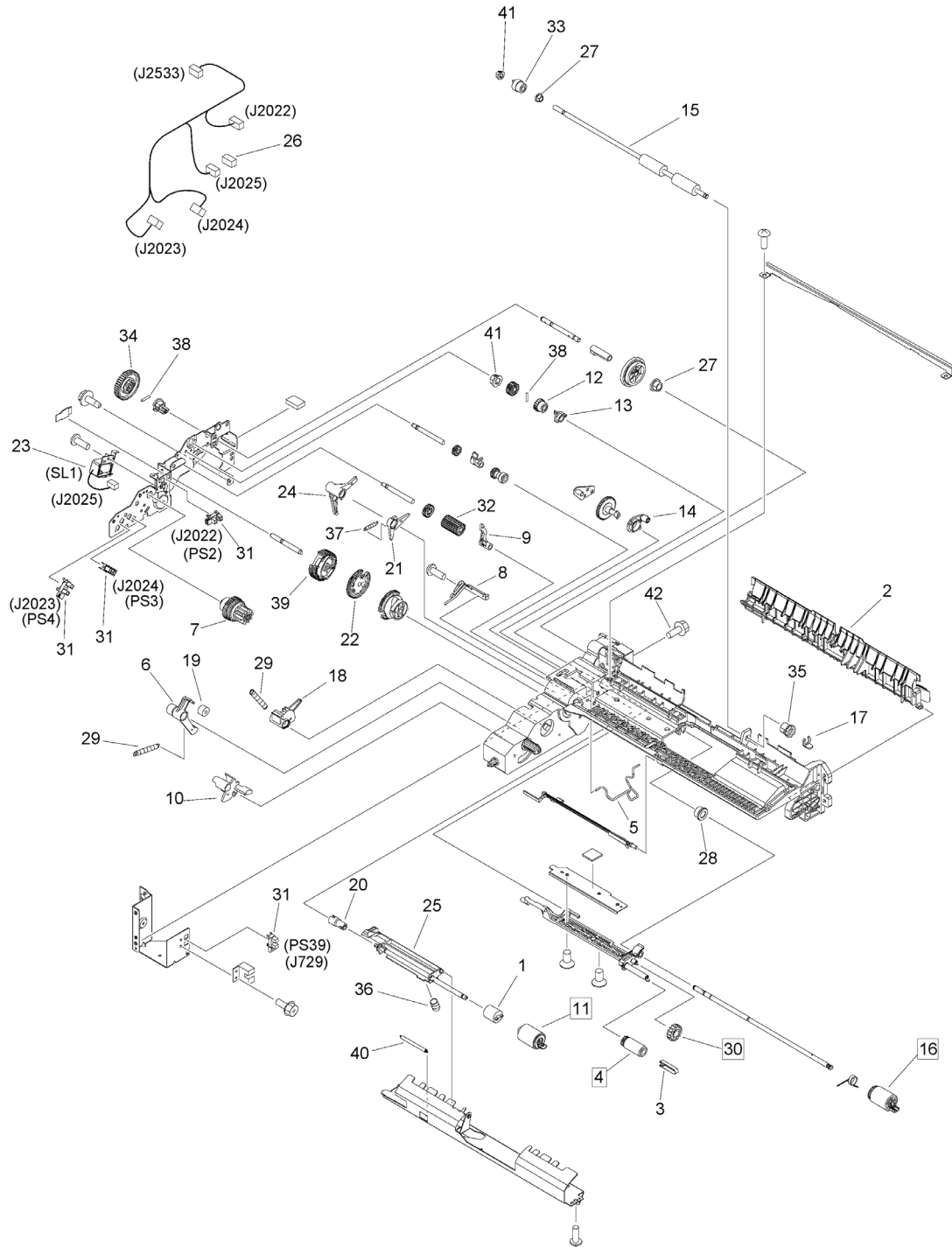


FIGURE & KEY NO.	PART NUMBER	RANK	QTY	DESCRIPTION	SERIAL NUMBER /REMARKS
310A	FM4-9175-030		1	PAPER PICK-UP ASSEMBLY	UPPER
1	FB6-3410-000		1	LIMITER, TORQUE	
2	FC5-0595-010		1	GUIDE, VERTICAL PATH	
3	FC7-5845-000		1	STOPPER, ROLLER	
4	FB6-3405-000		1	ROLLER, PAPER PICK-UP	[DP]
5	FB6-3388-000		1	ROD, SEPARATION ROLLER RELEASE	
6	FB6-3389-000		1	CLAW, PICK-UP	
7	FE2-B951-000		1	GEAR, RATCHET	
8	FB6-3392-020		1	SPRING, LEAF	
9	FB6-3396-010		1	LOCK, PICK-UP	
10	FB6-3397-000		1	FLAG, PAPER SENSOR	
11	FC6-6661-000		1	ROLLER, SEPARATION	[DP]
12	FB6-3402-000		1	GEAR, RATCHET	
13	FB6-3403-000		1	COUPLING, FEED SHAFT STOP	
14	FB6-3404-000		1	COUPLING, SEPARATION SHAFT	
15	FB6-4852-000		1	ROLLER, VERTICAL PATH	
16	FC0-5080-000		1	ROLLER, FEED/SEPARATION	[DP]
17	FC6-9867-000		1	RING, RETAINING	
18	FC8-1178-000		1	CLAW, PAPER PICK-UP	
19	FC8-1202-000		1	DAMPER	
20	FC9-4290-010		1	JOINT, RETARD	
21	FC9-7253-000		1	ARM, LIFTING	
22	FL1-4729-000		1	GEAR ASS'Y	
23	FK2-0408-010		1	SOLENOID	SL1
24	FM3-4146-010		1	PICK-UP ARM UNIT	
25	FM4-2525-000		1	HOLDER, SEPARATION ROLLER	
26	VS1-7177-002		1	CONNECTOR, SNAP TIGHT, BK	
27	FS1-1205-000		2	BUSHING	
28	FS5-1943-000		1	BUSHING	
29	FS7-2800-000		2	SPRING, TENSION	
30	FU0-0043-000		1	GEAR, 15T	[DP]
31	WG8-5836-000		4	IC PHOTOINTERRUPTER, HYBRID	PS2, PS3, PS4, PS39
32	FU3-0288-000		1	GEAR, 21T	
33	FU3-0289-000		1	GEAR, 14T	
34	FU3-0347-000		1	GEAR, 41T	
35	FU5-1763-000		1	BUSHING	
36	FU6-2684-000		1	SPRING, COMPRESSION	
37	FU6-2784-000		1	SPRING, TENSION	
38	XD9-0289-000		3	PIN, DOWEL	
39	FU8-0214-000		1	GEAR, 51T	
40	FU7-5378-000		1	SPRING, TENSION	
41	RS5-1567-000		2	BUSHING	
42	XA9-1386-000		1	SCREW, RS, M3X8	

Figure 311A PAPER PICK-UP ASSEMBLY (LOWER)

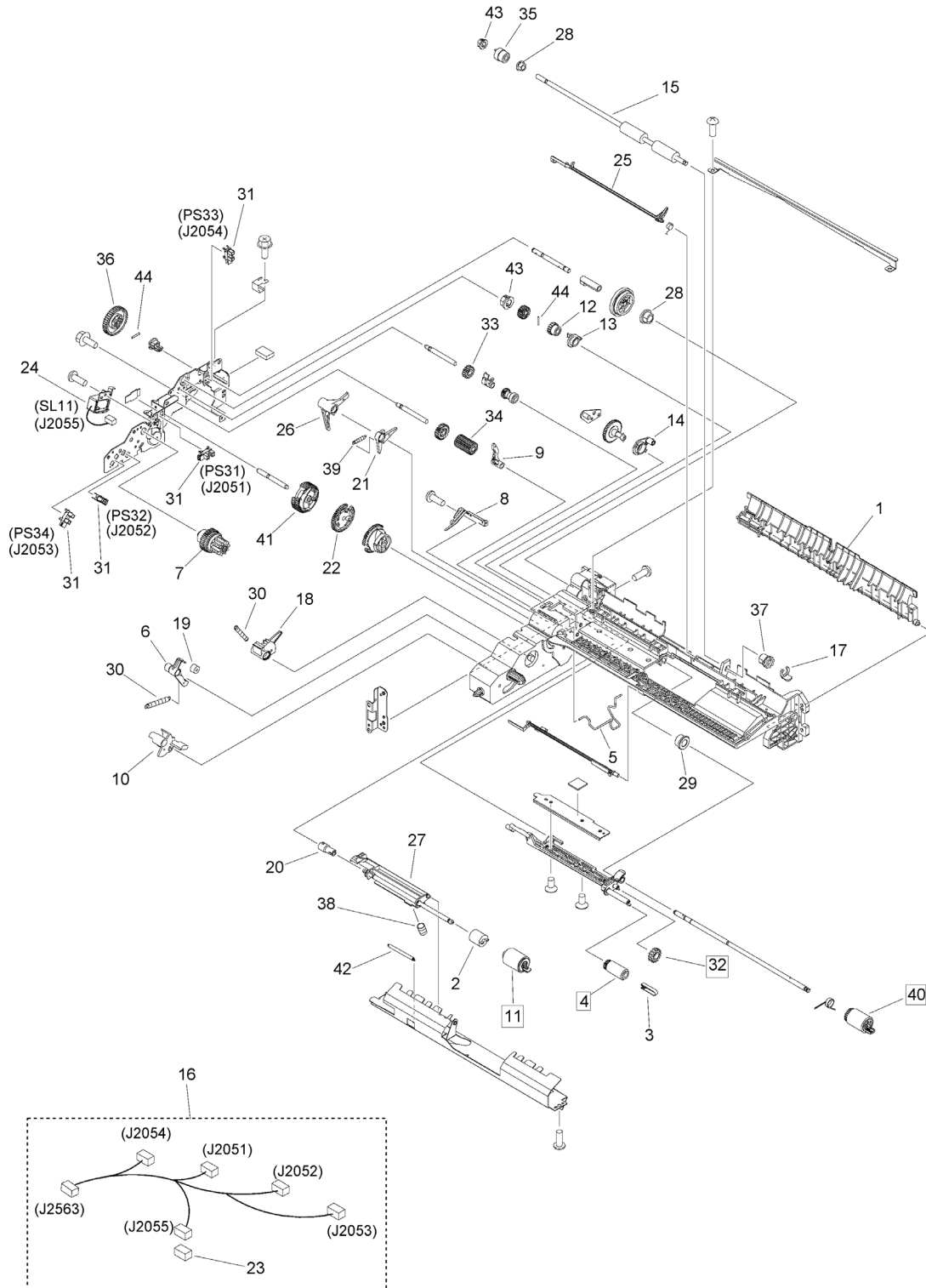




FIGURE & KEY NO.	PART NUMBER	RANK	QTY	DESCRIPTION	SERIAL NUMBER /REMARKS
311A	FM4-9177-020		1	PAPER PICK-UP ASSEMBLY	LOWER
1	FB6-3387-000		1	GUIDE, VERTICAL PATH	
2	FB6-3410-000		1	LIMITER, TORQUE	
3	FC7-5845-000		1	STOPPER, ROLLER	
4	FB6-3405-000		1	ROLLER, PAPER PICK-UP	[DP]
5	FB6-3388-000		1	ROD, SEPARATION ROLLER RELEASE	
6	FB6-3389-000		1	CLAW, PICK-UP	
7	FE2-B951-000		1	GEAR, RATCHET	
8	FB6-3392-020		1	SPRING, LEAF	
9	FB6-3396-010		1	LOCK, PICK-UP	
10	FB6-3397-000		1	FLAG, PAPER SENSOR	
11	FC6-6661-000		1	ROLLER, SEPARATION	[DP]
12	FB6-3402-000		1	GEAR, RATCHET	
13	FB6-3403-000		1	COUPLING, FEED SHAFT STOP	
14	FB6-3404-000		1	COUPLING, SEPARATION SHAFT	
15	FB6-4852-000		1	ROLLER, VERTICAL PATH	
16	FM2-V891-000		1	CABLE, PAPER PICK-UP	
17	FC6-9867-000		1	RING, RETAINING	
18	FC8-1178-000		1	CLAW, PAPER PICK-UP	
19	FC8-1202-000		1	DAMPER	
20	FC9-4290-010		1	JOINT, RETARD	
21	FC9-7253-000		1	ARM, LIFTING	
22	FL1-4729-000		1	GEAR ASS'Y	
23	VS1-7177-002		1	CONNECTOR, SNAP TIGHT, BK	
24	FK2-0408-010		1	SOLENOID	SL11
25	FL3-8032-000		1	FLAG, REGISTRATION SENSOR	
26	FM3-4146-010		1	PICK-UP ARM UNIT	
27	FM4-2525-000		1	HOLDER, SEPARATION ROLLER	
28	FS1-1205-000		2	BUSHING	
29	FS5-1943-000		1	BUSHING	
30	FS7-2800-000		2	SPRING, TENSION	
31	WG8-5836-000		4	IC PHOTOINTERRUPTER, HYBRID	PS31, PS32, PS33, PS34
32	FU0-0043-000		1	GEAR, 15T	[DP]
33	FU3-0284-000		1	GEAR, 16T	
34	FU3-0288-000		1	GEAR, 21T	
35	FU3-0289-000		1	GEAR, 14T	
36	FU3-0347-000		1	GEAR, 41T	
37	FU5-1763-000		1	BUSHING	
38	FU6-2684-000		1	SPRING, COMPRESSION	
39	FU6-2784-000		1	SPRING, TENSION	
40	FC0-5080-000		1	ROLLER, FEED/SEPARATION	[DP]
41	FU8-0214-000		1	GEAR, 51T	
42	FU7-5378-000		1	SPRING, TENSION	



2020-12-16

FIGURE & KEY NO.	PART NUMBER	R A N K	QTY	DESCRIPTION	SERIAL NUMBER /REMARKS
43	RS5-1567-000		2	BUSHING	
44	XD9-0289-000		3	PIN, DOWEL	

Figure 312B MULTI PAPER PICK-UP ASSEMBLY

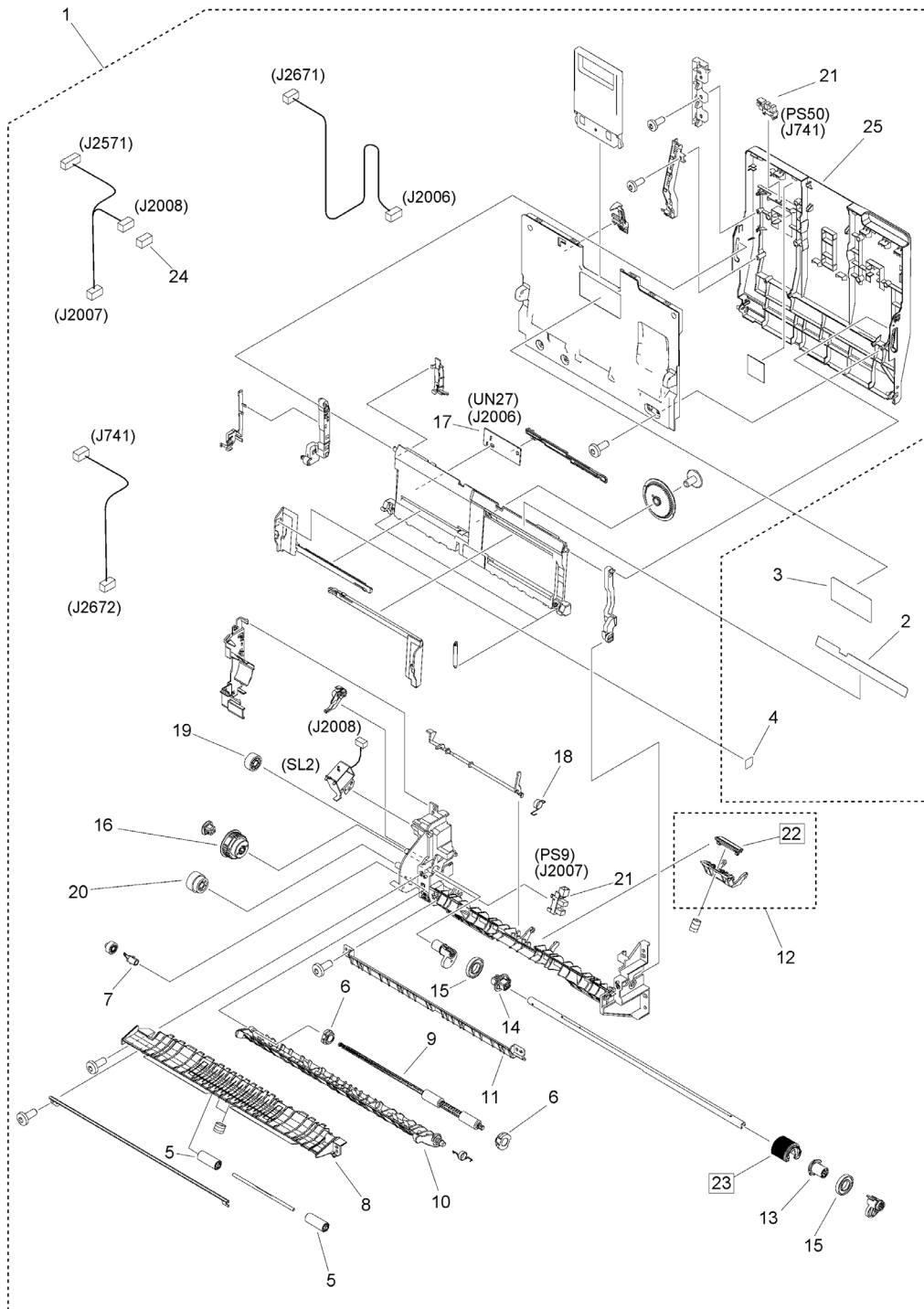




FIGURE & KEY NO.	PART NUMBER	RANK	QTY	DESCRIPTION	SERIAL NUMBER /REMARKS
312B	NPN		RF	MULTI PAPER PICK-UP ASSEMBLY	
1	FM1-J119-010		1	MULTI PAPER PICK-UP ASSEMBLY	
2	FE2-C422-000		1	LABEL, DOCUMENT SIZE	
3	FE2-C733-000		1	LABEL, PAPER SET INSTRUCTION	
4	FE4-7250-010		1	LABEL, DOCUMENT MAXIMUM	
5	FC9-0670-000		2	ROLLER, EXTRACTION	
6	FC9-0923-000		2	BUSHING	
7	FC9-1026-000		1	BUSHING	
8	FL3-1348-010		1	GUIDE, MULTI, UPPER	
9	FL3-1349-000		1	ROLLER, MULTI EXTRACTION DRIVE	
10	FL0-2517-010		1	GUIDE, MULTI LOWER	
11	FL3-5605-000		1	GUIDE, VERTICAL PATH	
12	FM3-9287-010		1	MULTI SEPARATION PAD ASSEMBLY	
13	FC9-0684-000		1	BUSHING	
14	FC9-0685-000		1	BUSHING	
15	FC9-0687-000		2	ROLLER, MULTI	
16	FM3-9293-010		1	MULTI PAPER PICK-UP GEAR ASS'Y	
17	FM2-2768-000		1	MULTI FEED SIZE PCB ASSEMBLY	UN27
18	FU7-2925-000		1	SPRING, TORSION	
19	FU8-0525-000		1	GEAR, 21T	
20	FU8-0526-000		1	GEAR 27T/25T	
21	WG8-5836-000		2	IC PHOTOINTERRUPTER, HYBRID	PS9, PS50
22	FL3-3469-000		1	PAD, SEPARATION	[DP]
23	FL3-1352-000		1	ROLLER, PAPER PICK-UP	[DP]
24	VS1-7177-002		1	CONNECTOR, SNAP TIGHT, BK	
25	FL0-5743-010		1	COVER, MULTI	

Figure 313 DUPLEXING FEED GUIDE ASSEMBLY

NOTE 1 : This assembly is included in the assembly shown in Figure 102. NOTE 2 : This assembly does not include the parts shown with Key No. 18.

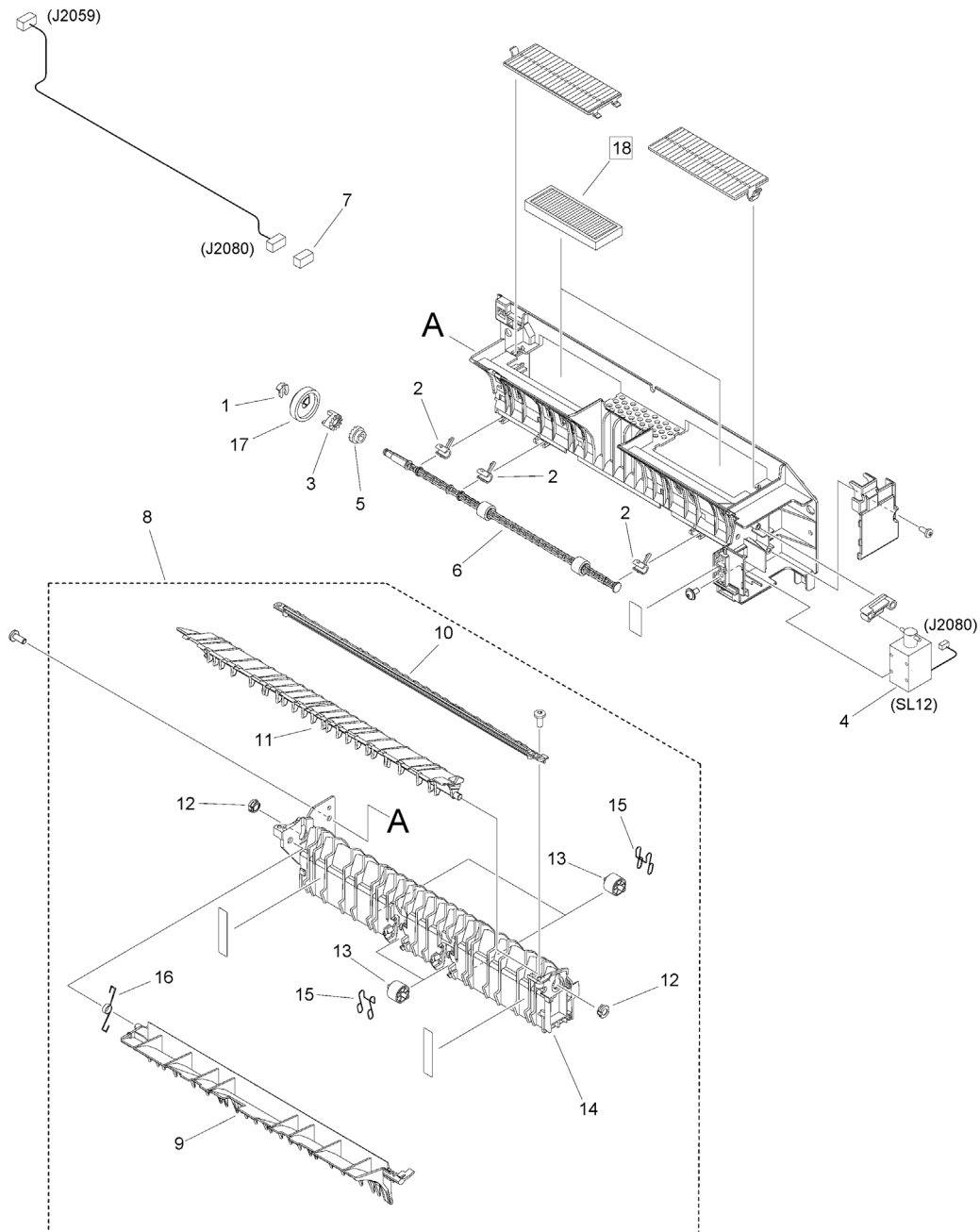


FIGURE & KEY NO.	PART NUMBER	RANK	QTY	DESCRIPTION	SERIAL NUMBER /REMARKS
313	FM4-9157-000		1	DUPLEXING FEED GUIDE ASSEMBLY	SEE NOTE 1
1	FC5-4425-000		1	CLIP	
2	FC9-0717-000		3	BUSHING	
3	FC9-0826-000		1	RATCHET, INTERMEDIATE	
4	FH6-5095-000		1	SOLENOID	SL12
5	FC9-0852-000		1	RATCHET, FEED	
6	FL3-1451-000		1	ROLLER, ENTRANCE	
7	VS1-7177-003		1	CONNECTOR, SNAP TIGHT, BK	
8	FM4-9740-000		1	DUPLEXING ENTRANCE GUIDE ASS'Y	
9	FC9-0841-000		1	FLAPPER, SECOND DELIVERY	
10	FC9-0843-000		1	GUIDE, REVERSE ENTRANCE	
11	FC9-0846-000		1	FLAPPER, REVERSE	
12	FC9-0923-000		2	BUSHING	
13	FC9-7720-000		4	COLLAR, FIXING DELIVERY	
14	FL3-1443-000		1	GUIDE, ENTRANCE	
15	FU7-2947-000		4	SPRING, RETAINING	
16	FU8-2805-000		1	SPRING, TORSION	
17	FU8-0607-000		1	GEAR, 35T	
18	FC0-3078-000		1	FILTER, AIR	[DP] SEE NOTE 2

Figure 316 PRE-REGISTRATION GUIDE ASS'Y

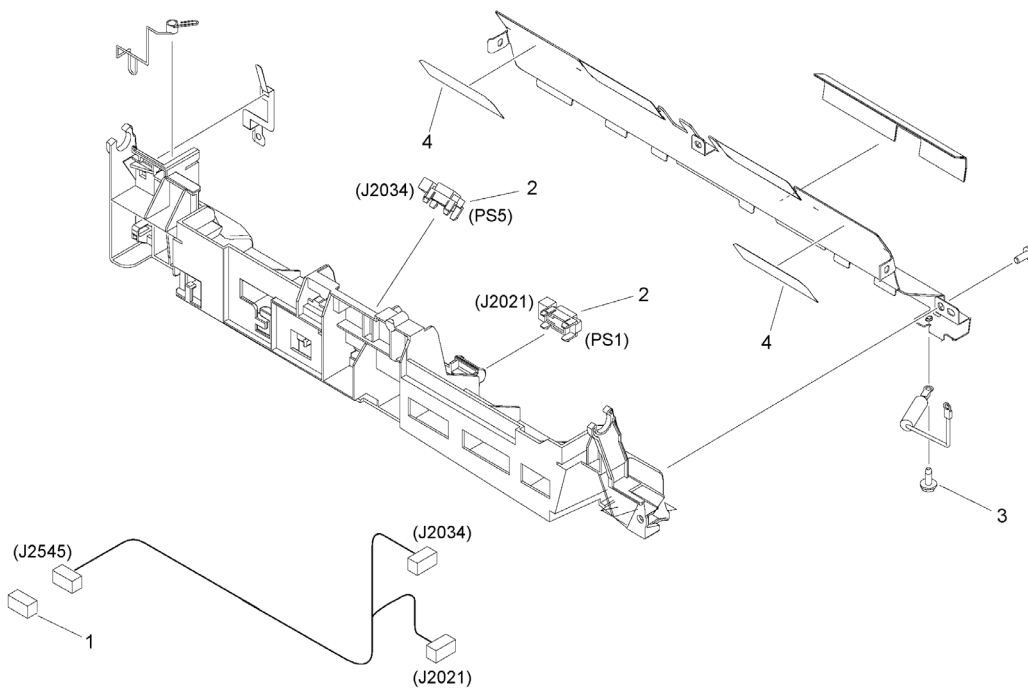


FIGURE & KEY NO.	PART NUMBER	R A N K	QTY	DESCRIPTION	SERIAL NUMBER /REMARKS
316	FM4-7921-000		1	PRE-REGISTRATION GUIDE ASS'Y	
1	VS1-7177-006		1	CONNECTOR, SNAP TIGHT, 6P, W	
2	WG8-5927-000		2	PHOTOINTERRUPTER, PS122TL1-A	PS1, PS5
3	XA9-1386-000		1	SCREW, RS, M3X8.5	
4	FL4-0172-000		2	SHEET, PRE-REGI 2	

Figure 320 TRANSFER PAPER FEED ASSEMBLY

NOTE : This assembly is included in the assembly shown in Figure 102.

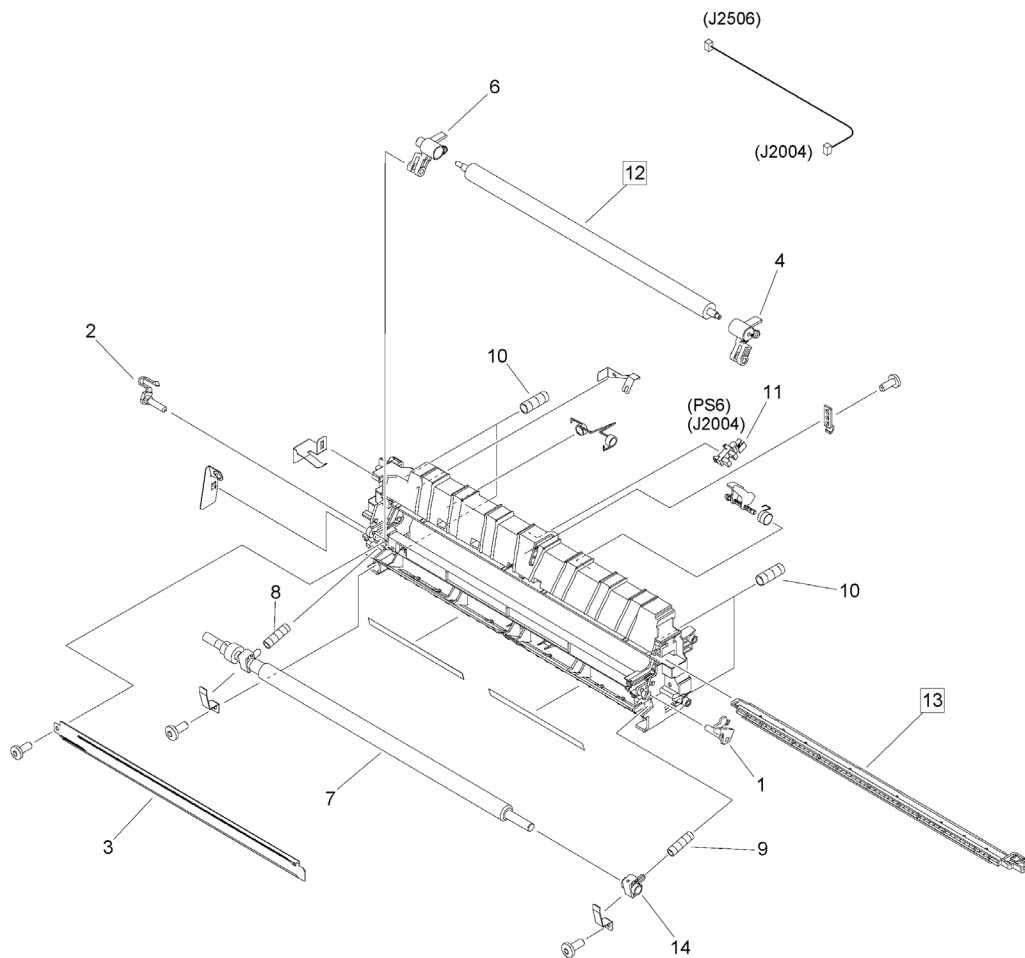


FIGURE & KEY NO.	PART NUMBER	RANK	QTY	DESCRIPTION	SERIAL NUMBER /REMARKS
320	FM1-J125-000		1	TRANSFER PAPER FEED ASSEMBLY	SEE NOTE
1	FC0-4340-000		1	PIN, TRANSFER HINGE	
2	FC5-1536-000		1	PIN, TRANSFER HINGE	
3	FC9-0702-000		1	GUIDE, ELIMINATOR	
4	FM3-9297-000		1	ARM, TRANSFER, FRONT	
6	FM3-9298-000		1	ARM, TRANSFER, REAR	
7	FM3-9299-000		1	ROLLER, REGISTRATION	
8	FU7-2930-000		1	SPRING, COMPRESSION	
9	FU7-2931-000		1	SPRING, COMPRESSION	
10	FU7-2933-000		4	SPRING, COMPRESSION	
11	WG8-5836-000		1	IC PHOTOINTERRUPTER, HYBRID	PS6
12	FE8-2935-000		1	ROLLER, TRANSFER	[DP]
13	FM3-9296-010		1	ELIMINATOR HOLDER ASSEMBLY	[DP]
14	FU5-1009-000		1	BUSHING	

Figure 330 DOOR ASSEMBLY, RIGHT LOWER

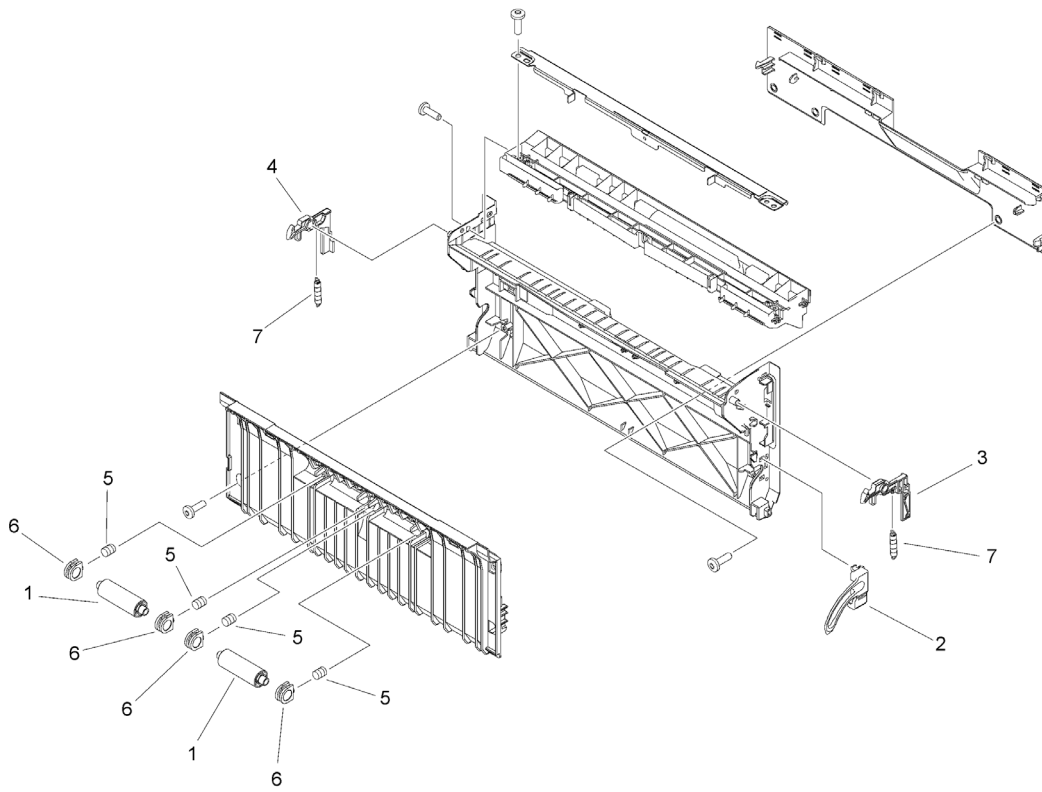


FIGURE & KEY NO.	PART NUMBER	R A N K	QTY	DESCRIPTION	SERIAL NUMBER /REMARKS
330	FM1-J122-000		1	RIGHT LOWER DOOR ASSEMBLY	
1	FB6-3313-000		2	ROLLER, PAPER FEED	
2	FC0-2520-000		1	STOPPER, DOOR, RIGHT LOWER	
3	FC0-2521-000		1	HOOK, RIGHT LOWER DOOR, FRONT	
4	FC0-2522-000		1	HOOK, RIGHT LOWER DOOR, REAR	
5	FS7-2788-000		4	SPRING, COMPRESSION	
6	FU5-1035-000		4	BUSHING	
7	FE4-7148-000		2	SPRING, TENSION	

Figure 333 RIGHT LOWER INNER DOOR ASS'Y

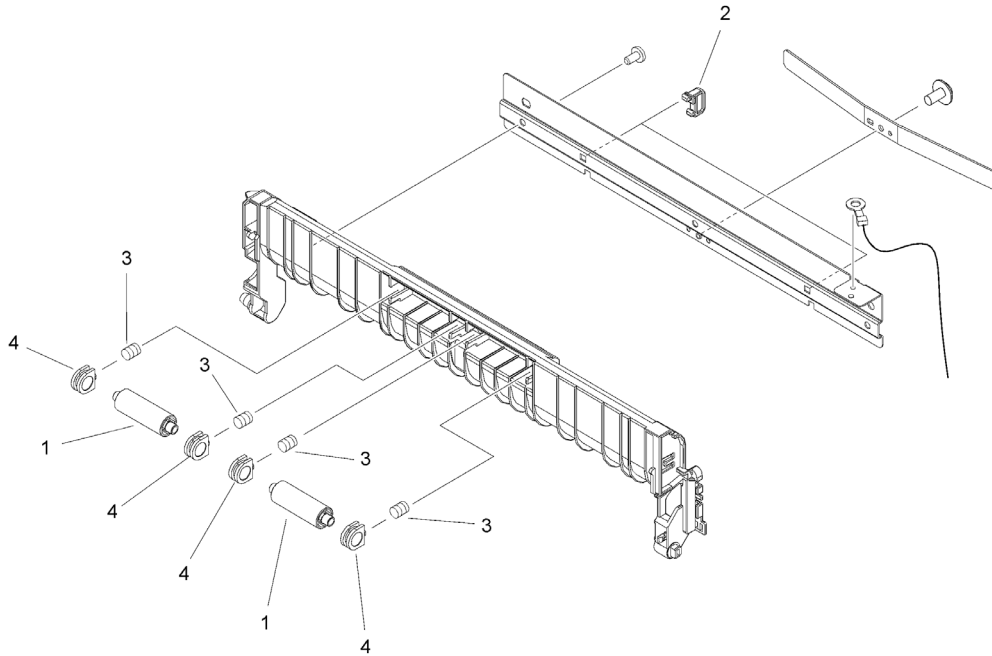


FIGURE & KEY NO.	PART NUMBER	R A N K	QTY	DESCRIPTION	SERIAL NUMBER /REMARKS
333	FM3-1297-010		1	RIGHT LOWER INNER DOOR ASS'Y	
1	FB6-3313-000		2	ROLLER, PAPER FEED	
2	FC7-5907-000		2	SPRING, GROUNDING	
3	FS7-2788-000		4	SPRING, COMPRESSION	
4	FU5-1035-000		4	BUSHING	

Figure 350 FIRST PAPER DELIVERY ASSEMBLY

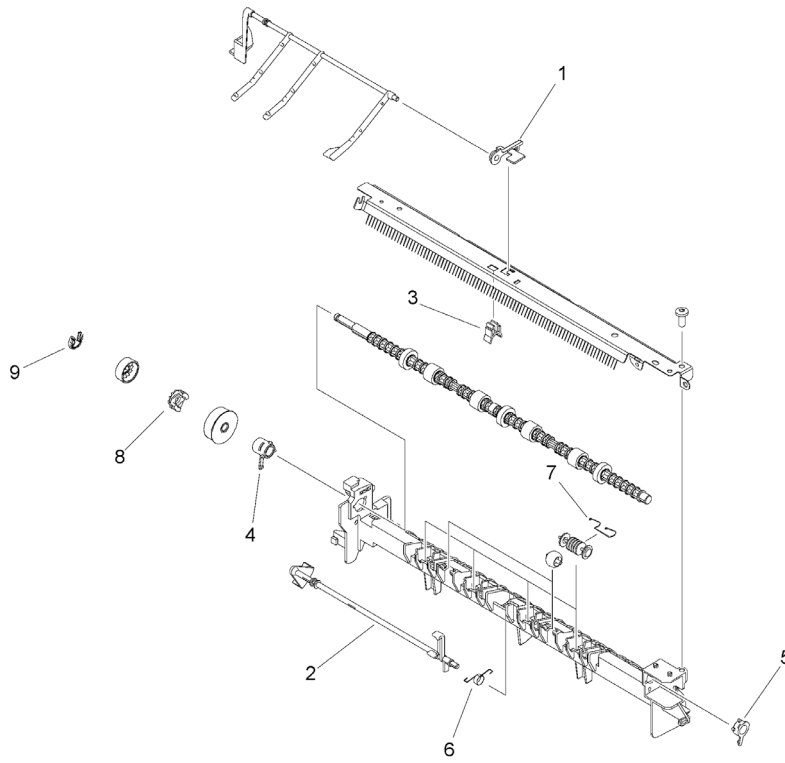


FIGURE & KEY NO.	PART NUMBER	R A N K	QTY	DESCRIPTION	SERIAL NUMBER /REMARKS
350	FM1-J123-000		1	FIRST PAPER DELIVERY ASSEMBLY	
1	FC0-3073-000		1	BUSHING	
2	FC9-0802-000		1	LEVER, DELIVERY SENSOR	
3	FC9-0805-000		1	BUSHING	
4	FC9-8959-000		1	BUSHING	
5	FU5-1522-000		1	BUSHING, DELIVERY ROLLER	
6	FU7-2925-000		1	SPRING, TORSION	
7	FU7-2968-000		4	SPRING, TORSION	
8	FE4-6931-000		1	CAM, TRANSMISSION	
9	FC6-5046-000		1	RING, RETAINING	

Figure 351 SECOND PAPER DELIVERY ASSEMBLY

NOTE : This assembly does not include the parts shown with Key No. 18.

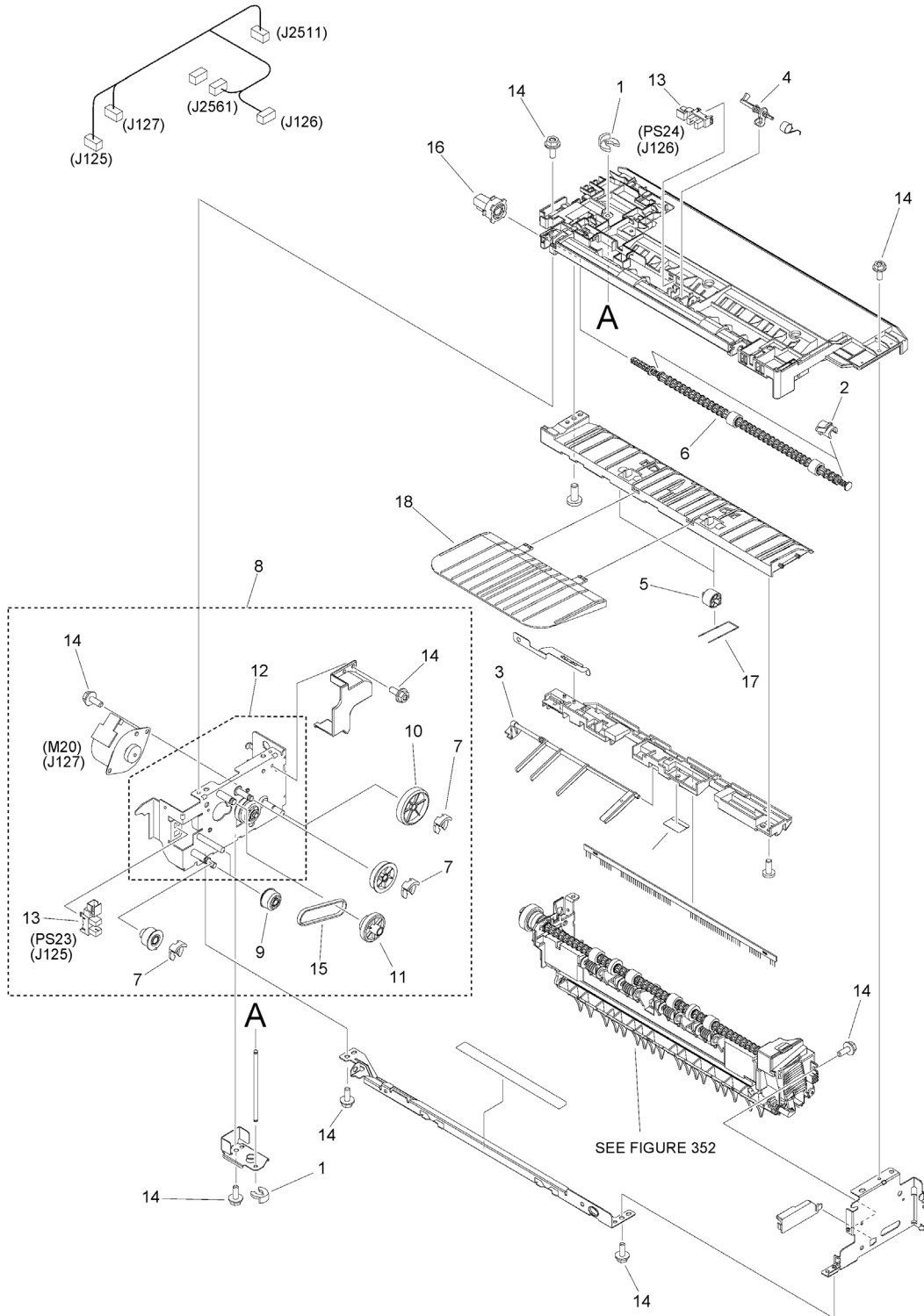




FIGURE & KEY NO.	PART NUMBER	RANK	QTY	DESCRIPTION	SERIAL NUMBER /REMARKS
351	FM1-J171-010		1	SECOND PAPER DELIVERY ASSEMBLY	
1	FC5-4697-000		2	RING, RETAINING	
2	FC9-0717-000		2	BUSHING	
3	FC9-0816-010		1	FLAG, FULL SENSOR	
4	FC9-0822-000		1	LEVER, REVERSE SENSOR	
5	FC9-7720-000		2	COLLAR, FIXING DELIVERY	
6	FL3-1450-000		1	ROLLER, REVERSE	
7	FC5-4425-000		3	CLIP	
8	FM4-7916-000		1	2ND PAPER DELIVERY DRIVE UNIT	
9	FU8-0603-000		2	GEAR, 18T	
10	FU8-0606-000		1	GEAR, 46T	
11	FU8-0610-000		1	GEAR, 35T	
12	FM1-B597-000		1	SIDE PLATE, 2ND PAPER DELIVERY	
13	WG8-5836-000		2	IC PHOTOINTERRUPTER, HYBRID	PS23, PS24
14	XA9-1386-000		11	SCREW, RS, M3X8	
15	XF2-1608-040		1	BELT, TIMING	
16	FU5-3796-000		1	PULLEY	
17	FU7-2934-000		2	SPRING, RETAINING	
18	FE4-7217-000		1	GUIDE, REVERSE BACK END	SEE NOTE

Figure 352 SECOND DELIVERY FRAME ASSEMBLY

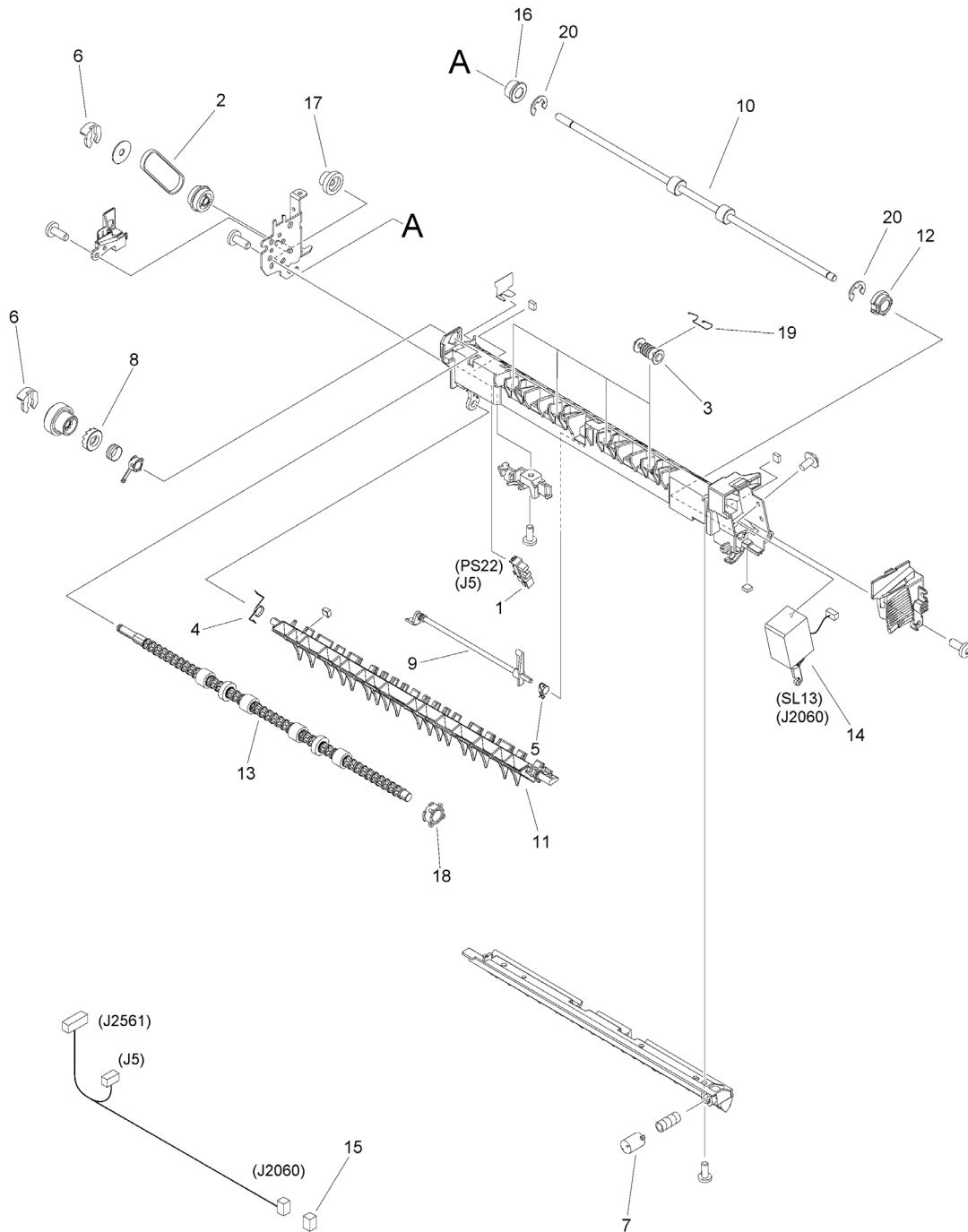
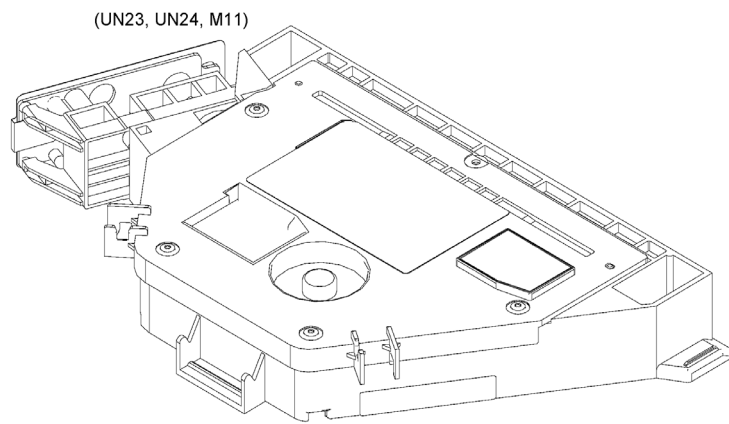


FIGURE & KEY NO.	PART NUMBER	R A N K	QTY	DESCRIPTION	SERIAL NUMBER /REMARKS
352	FM1-J172-000		1	SECOND DELIVERY FRAME ASSEMBLY	
1	WG8-5836-000		1	IC PHOTOINTERRUPTER, HYBRID	PS22
2	XF2-1608-040		1	BELT, TIMING	
3	FC0-5231-000		4	ROLLER, FD	
4	FC5-0974-000		1	SPRING, TORSION	
5	FC5-0997-000		1	SPRING, TORSION	
6	FC5-4425-000		2	CLIP	
7	FC5-6014-000		1	CAP, SPRING	
8	FC9-0854-000		1	RATCHET, FEED	
9	FC9-0856-000		1	FLAG, SENSOR	
10	FC9-0857-000		1	ROLLER, VERTICAL PASS	
11	FC9-0870-010		1	FLAPPER	
12	FC9-0923-000		1	BUSHING	
13	FL3-1454-000		1	ROLLER, SECOND DELIVERY	
14	FL3-3151-000		1	SOLENOID	SL13
15	VS1-7177-002		1	CONNECTOR, SNAP TIGHT, BK	
16	FS5-1943-000		1	BUSHING	
17	FU5-0076-000		1	GEAR, 24T	
18	FU5-1522-000		1	BUSHING, DELIVERY ROLLER	
19	FU6-2189-000		4	SPRING, TORSION	
20	XD9-0136-000		2	RETAINING RING (E-TYPE)	

Figure 460C LASER SCANNER UNIT (IR 2645, 2635 SERIES)

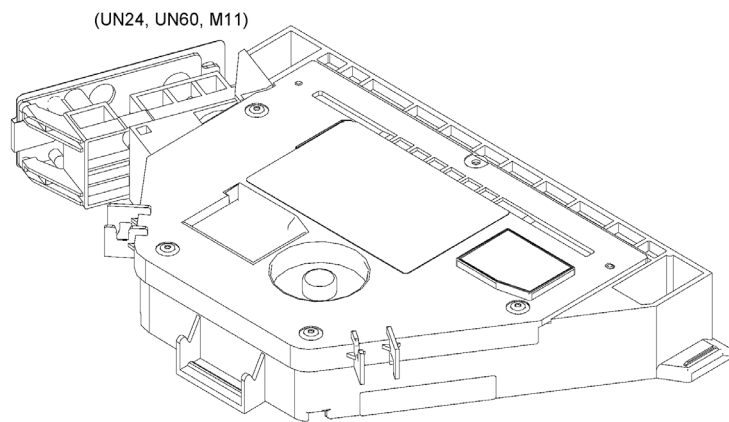




2020-12-16

FIGURE & KEY NO.	PART NUMBER	R A N K	QTY	DESCRIPTION	SERIAL NUMBER /REMARKS
460C	FM1-M053-000		1	LASER SCANNER ASSEMBLY	UN23, UN24, M11 IR 2645, 2635 SERIES

Figure 460D LASER SCANNER UNIT (IR 2630, 2625 SERIES)





2020-12-16

FIGURE & KEY NO.	PART NUMBER	R A N K	QTY	DESCRIPTION	SERIAL NUMBER /REMARKS
460D	FM1-M052-010		1	LASER SCANNER ASSEMBLY	UN24, UN60, M11 IR 2630, 2625 SERIES

Figure 620 HOPPER ASSEMBLY

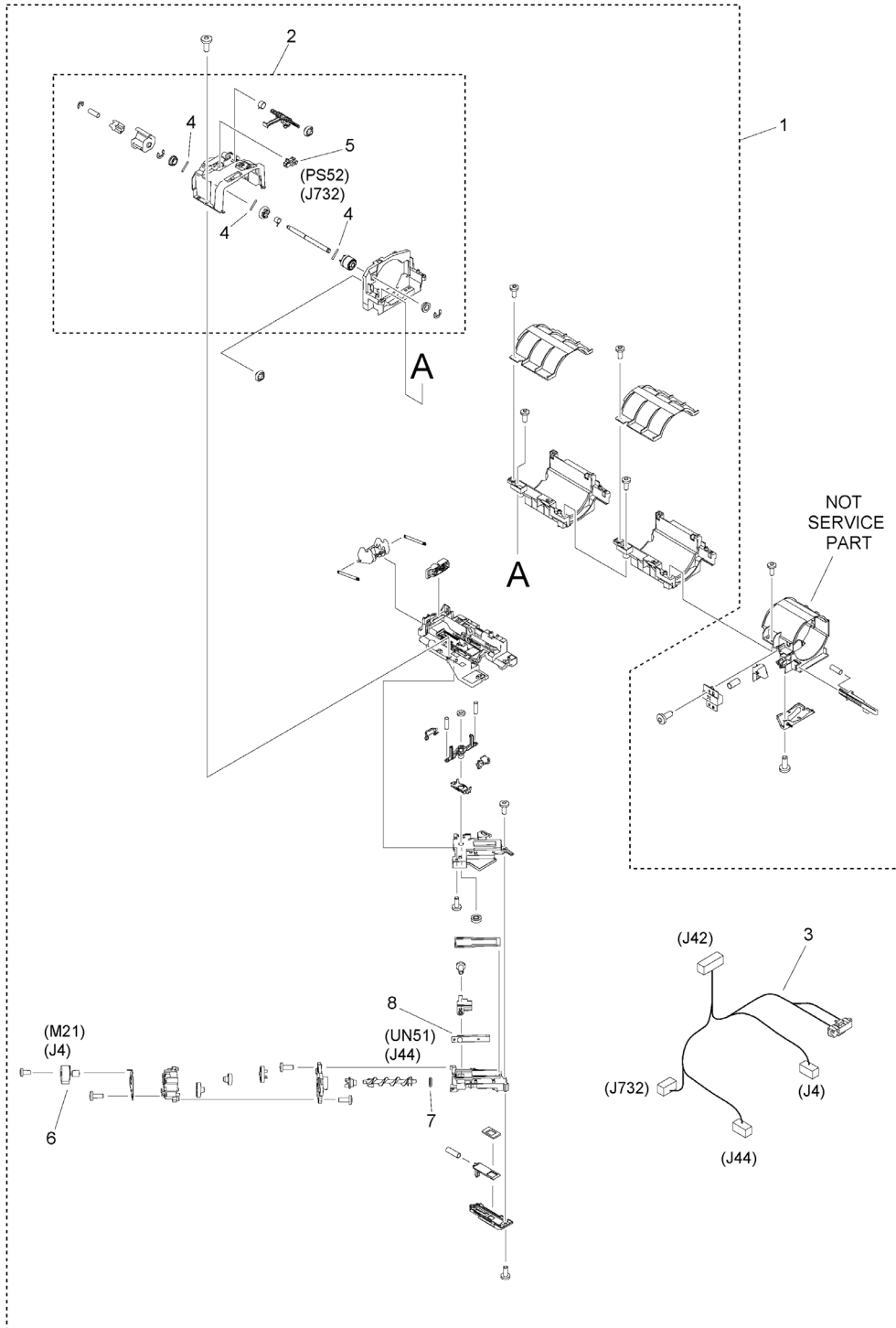


FIGURE & KEY NO.	PART NUMBER	R A N K	QTY	DESCRIPTION	SERIAL NUMBER /REMARKS
620	NPN		RF	HOPPER ASSEMBLY	
1	4Y8-3112-000		1	HOPPER ASSEMBLY	
2	FM1-J133-000		1	UPPER PUMP HOLDER ASSEMBLY	
3	FM1-N873-000		1	CABLE, NTD	
4	XD9-0291-000		3	PIN, PARALLEL	
5	WG8-5836-000		1	IC PHOTOINTERRUPTER, HYBRID	PS52
6	FK4-2683-000		1	MOTOR, STEPPING, DC	M21
7	MB4-8201-000		1	SEAL, OIL	
8	FK4-4926-000		1	SENSOR, ELECTROMAGNETIC	UN51

Figure 640 DEVELOPING ASSEMBLY

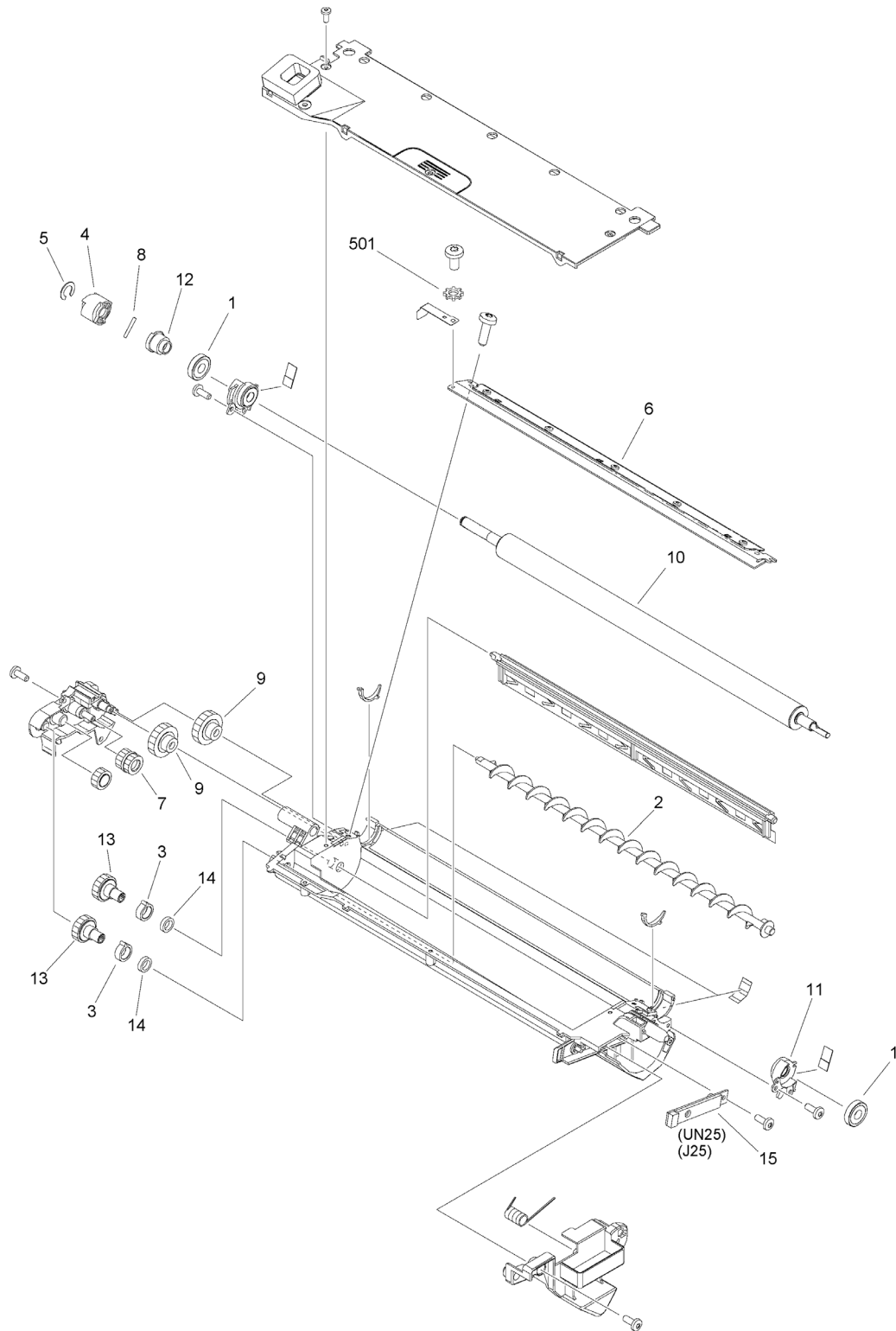
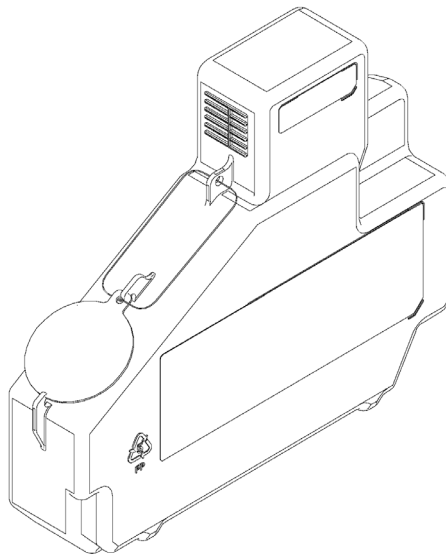


FIGURE & KEY NO.	PART NUMBER	R A N K	QTY	DESCRIPTION	SERIAL NUMBER /REMARKS
640	FM1-J148-000		1	DEVELOPING ASSEMBLY	[DP]
1	FC0-5122-000		2	ROLLER	
2	FC9-1610-000		1	FEEDSCREW, TONER	
3	FC9-1613-000		2	BUSHING	
4	FE4-6689-010		1	COUPLING, DEVELOPING	
5	FE4-8138-000		1	RING, C	
6	FM3-9265-000		1	BLADE ASSEMBLY	
7	FU8-0509-000		1	GEAR, 18T/18T	
8	XD9-0290-000		1	PIN, PARALLEL	
9	FU8-0512-000		2	GEAR, 31T/13T	
10	FM4-9170-000		1	DEVELOPING CYLINDER ASSEMBLY	
11	FL1-5255-000		1	HOLDER, CYLINDER, FRONT	
12	FU8-0511-000		1	GEAR, 16T	
13	FU8-0553-000		2	GEAR, 24T	
14	MB4-8201-000		2	SEAL, OIL	
15	FK4-4926-000		1	SENSOR, ELECTROMAGNETIC	UN25
501	XD1-4200-302		1	WASHER, TOOTHED LOCK, M3	

Figure 770 WASTE TONER BOX ASSEMBLY





2020-12-16

FIGURE & KEY NO.	PART NUMBER	R A N K	QTY	DESCRIPTION	SERIAL NUMBER /REMARKS
770	FM3-9276-040		1	WASTE TONER BOX ASSEMBLY	[DP]

Figure 810B FIXING ASSEMBLY (120V)

NOTE : This assembly includes the assemblies shown in Figure 815, 816.

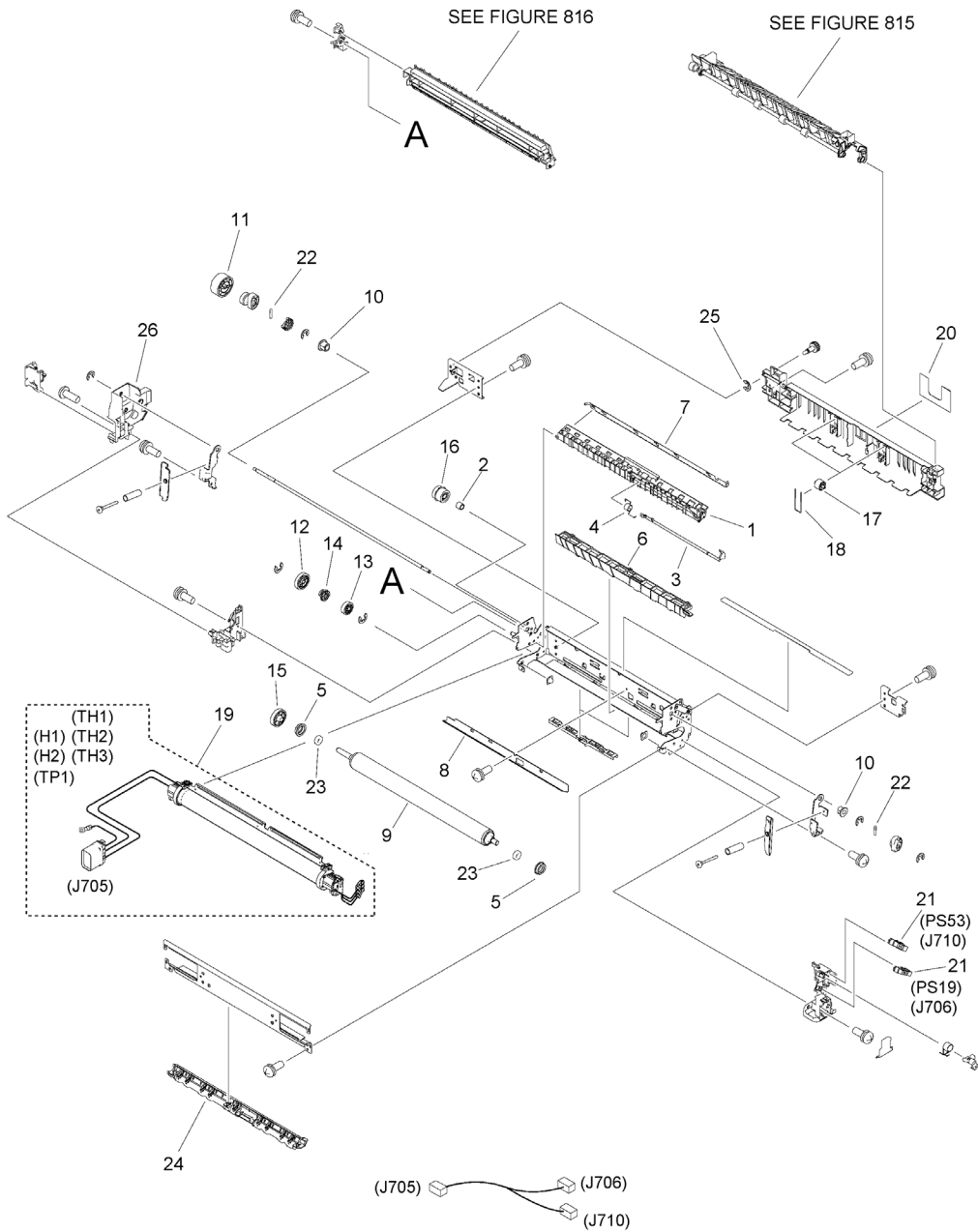




FIGURE & KEY NO.	PART NUMBER	RANK	QTY	DESCRIPTION	SERIAL NUMBER /REMARKS
810B	FM1-J023-020		1	FIXING ASSEMBLY	120V SEE NOTE [DP]
1	FC0-2394-000		1	GUIDE, DELIVERY LOWER	
2	FC0-2406-000		1	COLLAR, FIXING DELIVERY	
3	FC0-2413-000		1	FLAG, SENSOR	
4	FC5-1367-000		1	SPRING,SENSOR LEVER	
5	FC5-7182-000		2	HOUSING,BEARING	
6	FC9-0781-010		1	GUIDE, FIXING ENTRANCE, 1	
7	FC9-0782-000		1	ELIMINATOR, STATIC CHARGE	
8	FC9-8968-000		1	ELIMINATOR, STATIC CHARGE	
9	FC9-8974-000		1	ROLLER, PRESSURE	
10	FE3-3212-000		2	BUSHING	
11	FE4-6927-000		1	GEAR, 35T	
12	FE4-6929-000		1	GEAR, 27T	
13	FE4-6930-000		1	GEAR, 25T	
14	FE4-6931-000		1	CAM, TRANSMISSION	
15	FE4-6932-010		1	GEAR, 36T	
16	FE4-6933-000		1	GEAR, 26T	
17	FC9-7720-000		2	COLLAR, FIXING DELIVERY	
18	FU7-2934-000		2	SPRING, RETAINING	
19	FM1-J038-010		1	FIXING FILM ASSEMBLY	H1, H2, TH1, TH2, TH3, TP1
20	FU6-8898-000		1	LABEL,HIGH TEMPERATURE CAUTION	
21	WG8-5836-000		2	IC PHOTOINTERRUPTER, HYBRID	PS19, PS53
22	XD9-0288-000		2	PIN, DOWEL	
23	XG9-0875-000		2	BEARING, BALL, NS P0 16MM	
24	4Y8-3117-000		1	GUIDE, FIXING ENTRANCE	
25	XD9-0134-000		1	RING, E	
26	FE4-6935-000		1	COVER, FIXING GEAR	

Figure 810C FIXING ASSEMBLY (230V)

NOTE : This assembly includes the assemblies shown in Figure 815, 816.

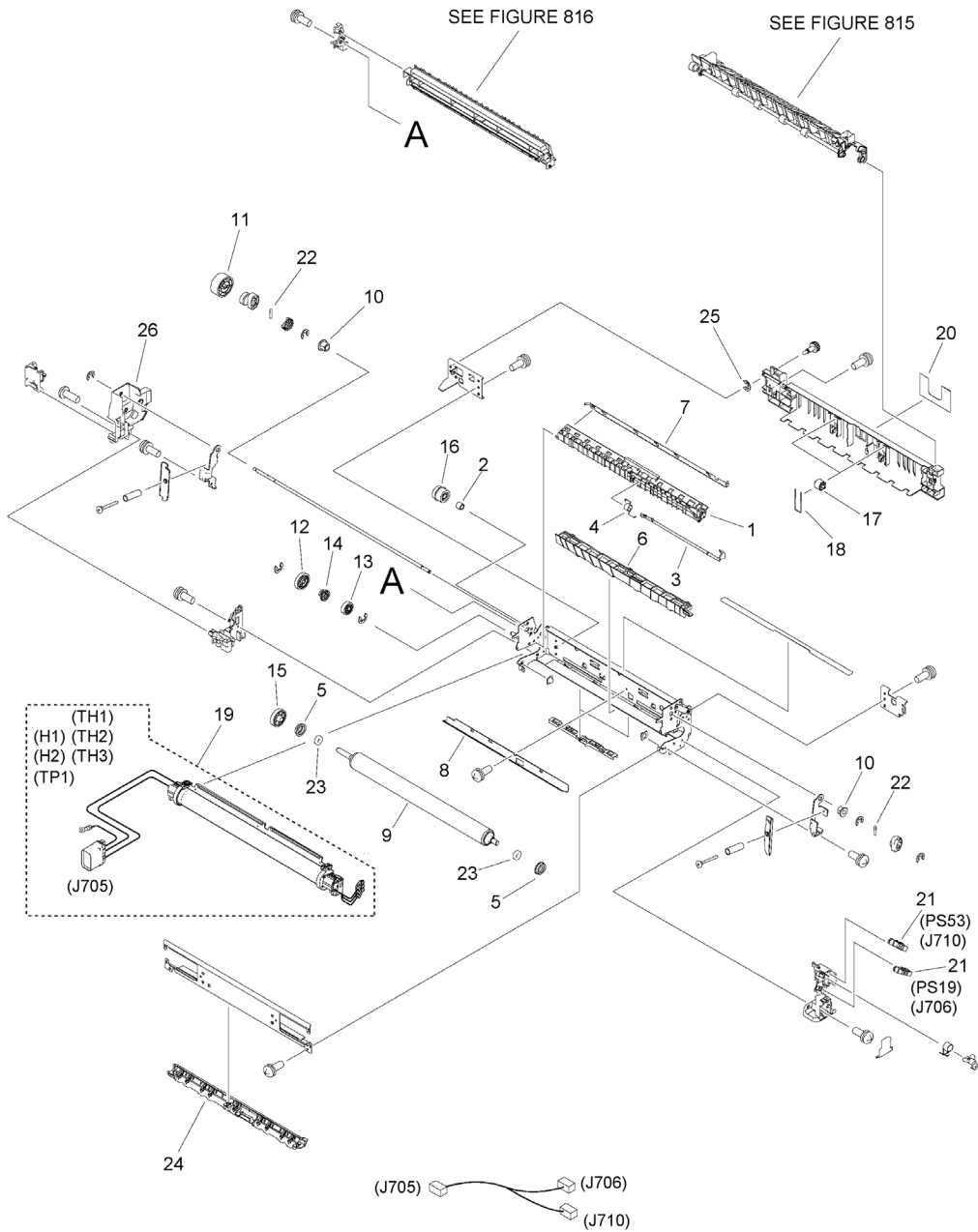
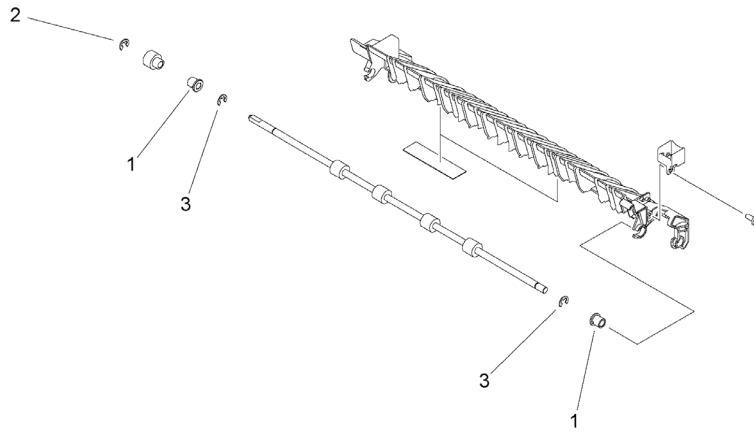




FIGURE & KEY NO.	PART NUMBER	RANK	QTY	DESCRIPTION	SERIAL NUMBER /REMARKS
810C	FM1-J024-030		1	FIXING ASSEMBLY	230V SEE NOTE [DP]
1	FC0-2394-000		1	GUIDE, DELIVERY LOWER	
2	FC0-2406-000		1	COLLAR, FIXING DELIVERY	
3	FC0-2413-000		1	FLAG, SENSOR	
4	FC5-1367-000		1	SPRING,SENSOR LEVER	
5	FC5-7182-000		2	HOUSING,BEARING	
6	FC9-0781-010		1	GUIDE, FIXING ENTRANCE, 1	
7	FC9-0782-000		1	ELIMINATOR, STATIC CHARGE	
8	FC9-8968-000		1	ELIMINATOR, STATIC CHARGE	
9	FC9-8974-000		1	ROLLER, PRESSURE	
10	FE3-3212-000		2	BUSHING	
11	FE4-6927-000		1	GEAR, 35T	
12	FE4-6929-000		1	GEAR, 27T	
13	FE4-6930-000		1	GEAR, 25T	
14	FE4-6931-000		1	CAM, TRANSMISSION	
15	FE4-6932-010		1	GEAR, 36T	
16	FE4-6933-000		1	GEAR, 26T	
17	FC9-7720-000		2	COLLAR, FIXING DELIVERY	
18	FU7-2934-000		2	SPRING, RETAINING	
19	FM1-J039-020		1	FIXING FILM ASSEMBLY	H1, H2, TH1, TH2, TH3, TP1
20	FU6-8898-000		1	LABEL,HIGH TEMPERATURE CAUTION	
21	WG8-5836-000		2	IC PHOTOINTERRUPTER, HYBRID	PS19, PS53
22	XD9-0288-000		2	PIN, DOWEL	
23	XG9-0875-000		2	BEARING, BALL, NS P0 16MM	
24	4Y8-3117-000		1	GUIDE, FIXING ENTRANCE	
25	XD9-0134-000		1	RING, E	
26	FE4-6935-000		1	COVER, FIXING GEAR	

Figure 815 DELIVERY LOWER GUIDE ASSEMBLY

NOTE : This assembly is included in the assembly shown in Figure 810.



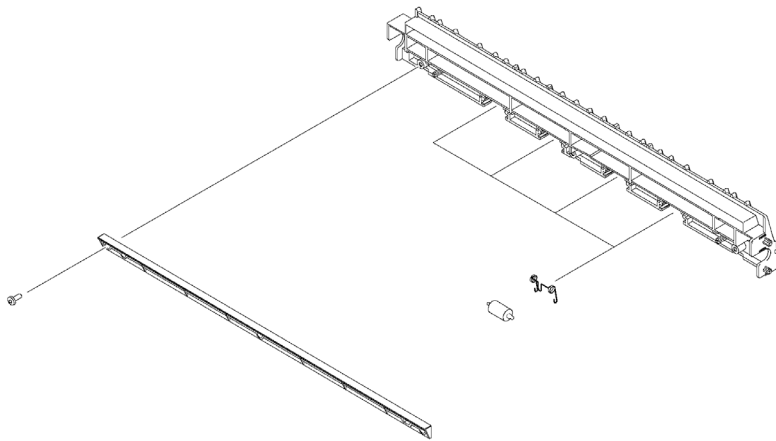


2020-12-16

FIGURE & KEY NO.	PART NUMBER	R A N K	QTY	DESCRIPTION	SERIAL NUMBER /REMARKS
815	FM1-J002-000		1	DELIVERY LOWER GUIDE ASSEMBLY	SEE NOTE
1	FA9-4041-005		2	BUSHING	
2	XD9-0134-000		1	RING, E	
3	XD9-0136-000		2	RING, E	

Figure 816 DELIVERY UPPER GUIDE ASSEMBLY

NOTE : This assembly is included in the assembly shown in Figure 810.





2020-12-16

FIGURE & KEY NO.	PART NUMBER	R A N K	QTY	DESCRIPTION	SERIAL NUMBER /REMARKS
816	FM1-H799-000		1	DELIVERY UPPER GUIDE ASSEMBLY	SEE NOTE

Figure 900B CONTROLLER BOX ASSEMBLY (IR 2645 SERIES)

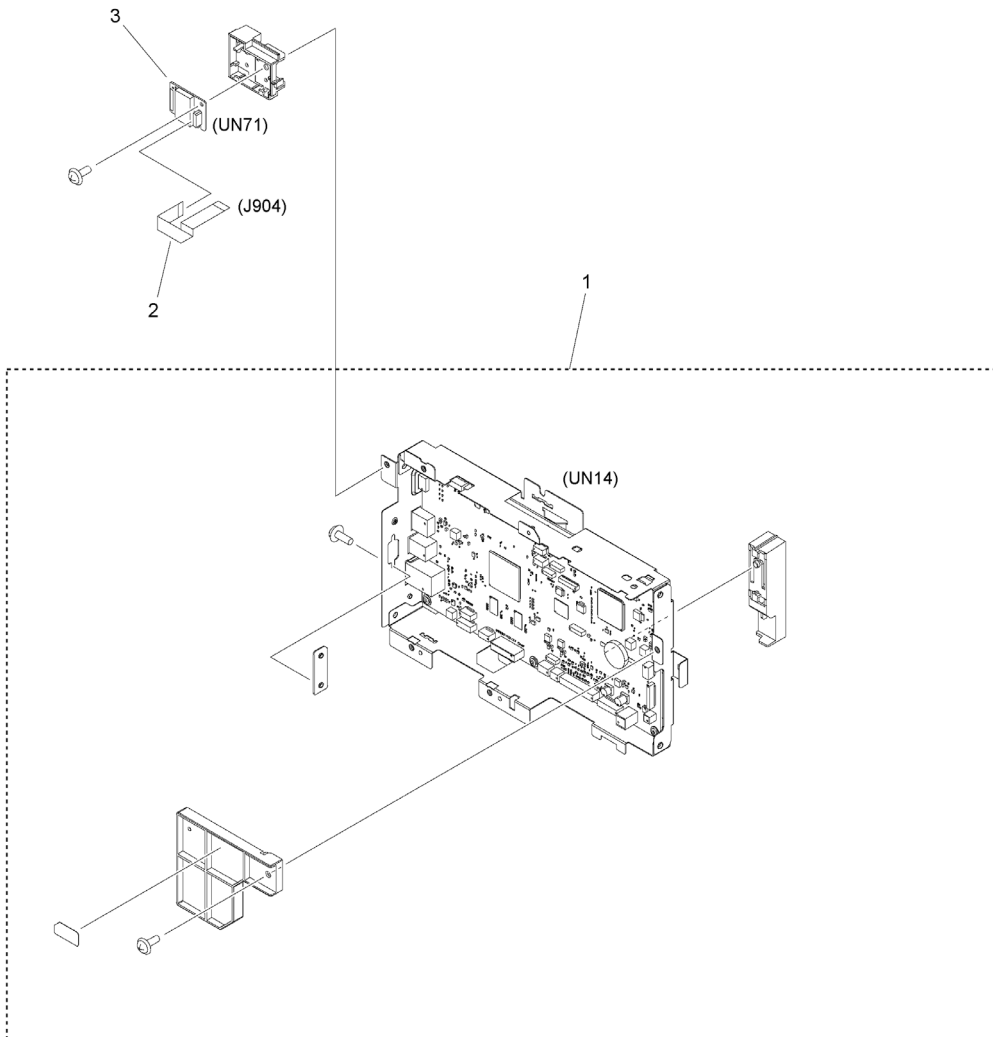


FIGURE & KEY NO.	PART NUMBER	R A N K	QTY	DESCRIPTION	SERIAL NUMBER /REMARKS
900B	NPN		RF	CONTROLLER BOX ASSEMBLY	IR 2645 SERIES
1	FM1-Y419-000		1	MAIN CONTROLLER PCB ASSEMBLY	UN14
2	FK4-6052-000		1	CABLE, FFC, WIFI	
3	QM7-4472-000		1	WIRELESS LAN BOARD ASS'Y	UN71

Figure 900C CONTROLLER BOX ASSEMBLY (IR 2635 SERIES)

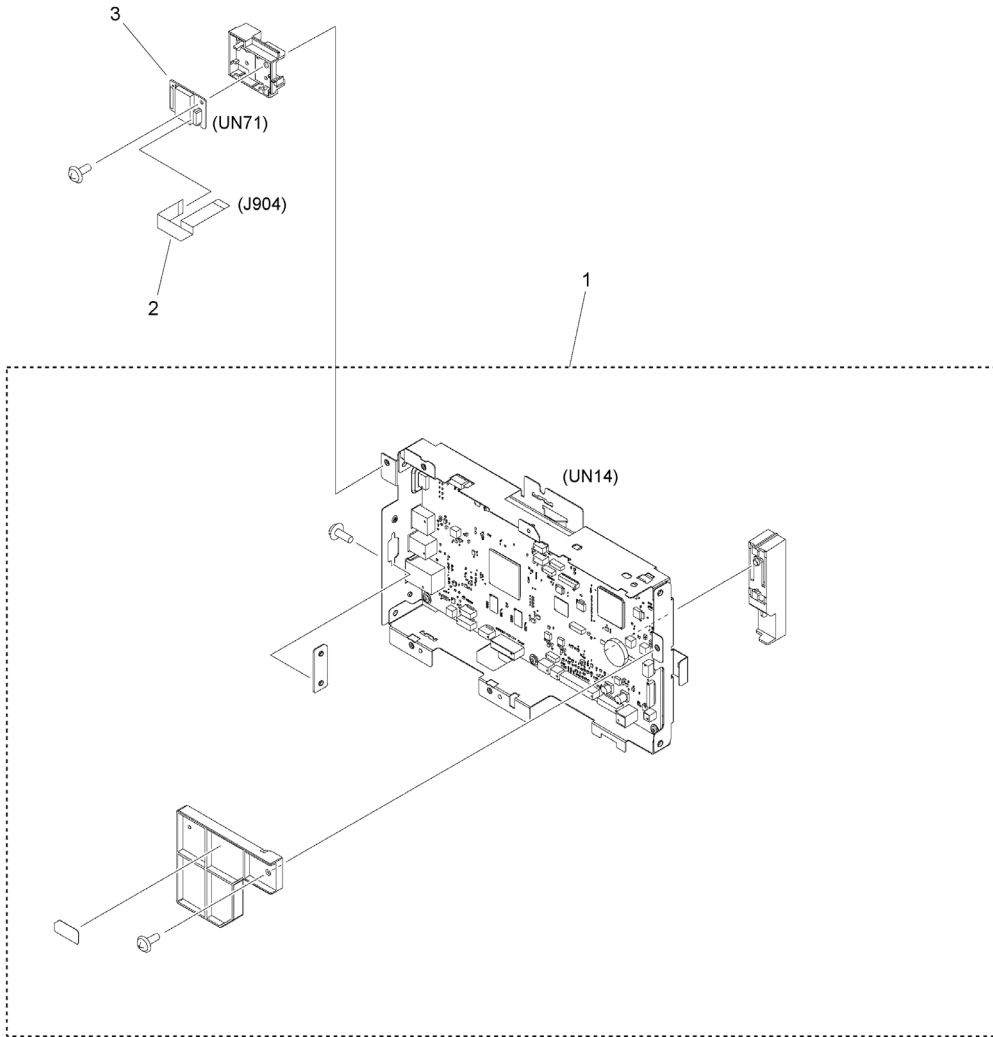


FIGURE & KEY NO.	PART NUMBER	R A N K	QTY	DESCRIPTION	SERIAL NUMBER /REMARKS
900C	NPN		RF	CONTROLLER BOX ASSEMBLY	IR 2635 SERIES
1	FM1-Y418-000		1	MAIN CONTROLLER PCB ASSEMBLY	UN14
2	FK4-6052-000		1	CABLE, FFC, WIFI	
3	QM7-4472-000		1	WIRELESS LAN BOARD ASS'Y	UN71

Figure 900D CONTROLLER BOX ASSEMBLY (IR 2630 SERIES)

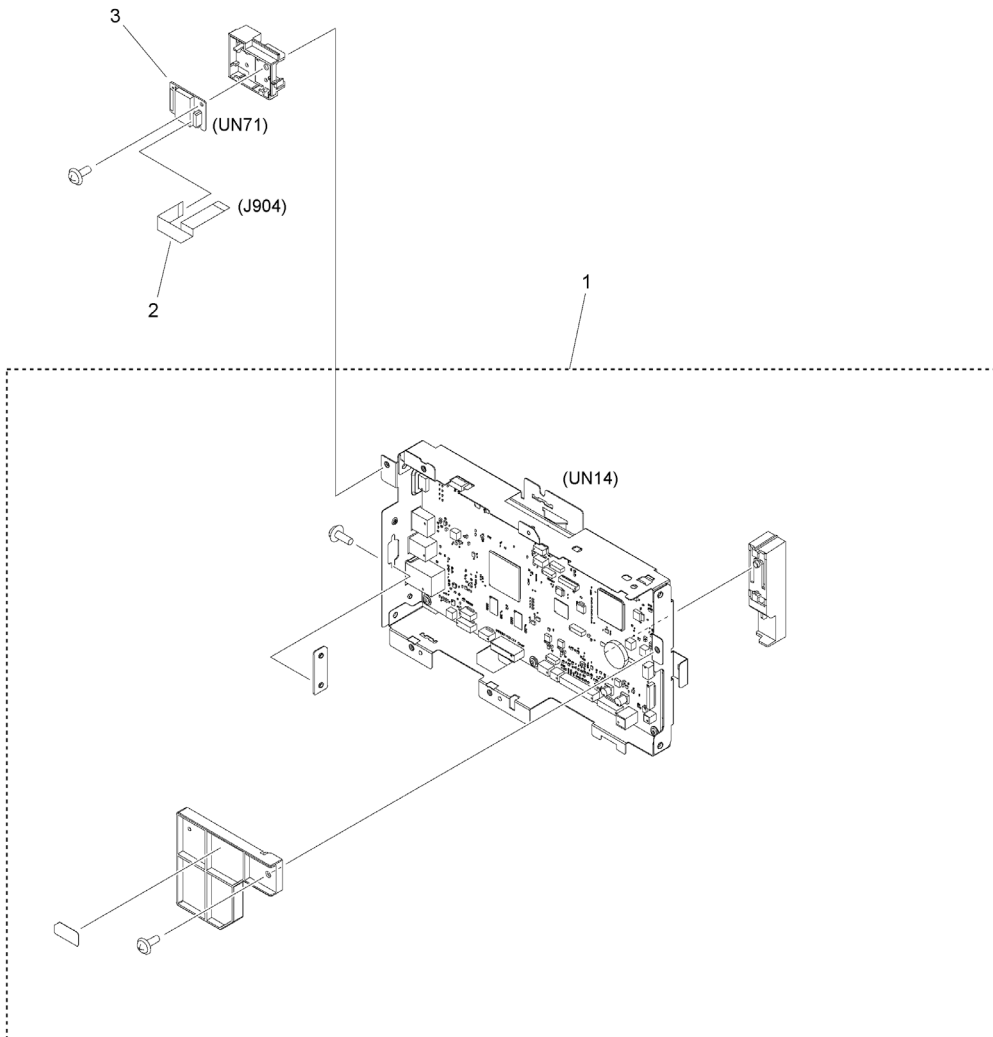


FIGURE & KEY NO.	PART NUMBER	R A N K	QTY	DESCRIPTION	SERIAL NUMBER /REMARKS
900D	NPN		RF	CONTROLLER BOX ASSEMBLY	IR 2630 SERIES
1	FM1-Y417-000		1	MAIN CONTROLLER PCB ASSEMBLY	UN14
2	FK4-6052-000		1	CABLE, FFC, WIFI	
3	QM7-4472-000		1	WIRELESS LAN BOARD ASS'Y	UN71

Figure 900E CONTROLLER BOX ASSEMBLY (IR 2625 SERIES)

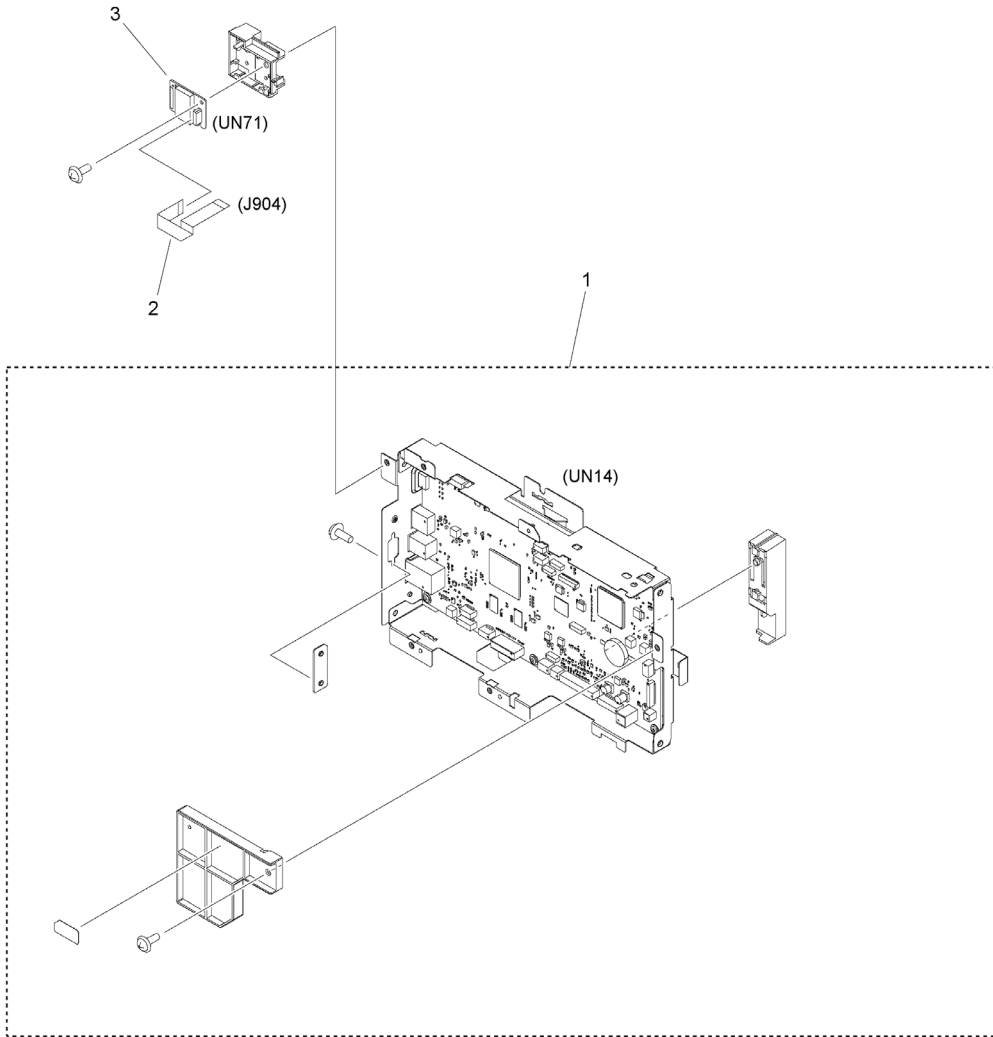
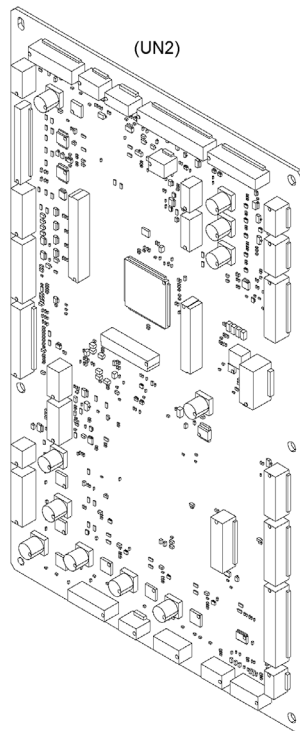


FIGURE & KEY NO.	PART NUMBER	R A N K	QTY	DESCRIPTION	SERIAL NUMBER /REMARKS
900E	NPN		RF	CONTROLLER BOX ASSEMBLY	IR 2625 SERIES
1	FM1-Y416-000		1	MAIN CONTROLLER PCB ASSEMBLY	UN14
2	FK4-6052-000		1	CABLE, FFC, WIFI	
3	QM7-4472-000		1	WIRELESS LAN BOARD ASS'Y	UN71

Figure 930 DC CONTROLLER PCB ASSEMBLY





2020-12-16

FIGURE & KEY NO.	PART NUMBER	R A N K	QTY	DESCRIPTION	SERIAL NUMBER /REMARKS
930	FM2-L999-000		1	DC CONTROLLER PCB ASSEMBLY	UN2

Figure 980 HIGH VOLTAGE PCB ASSEMBLY

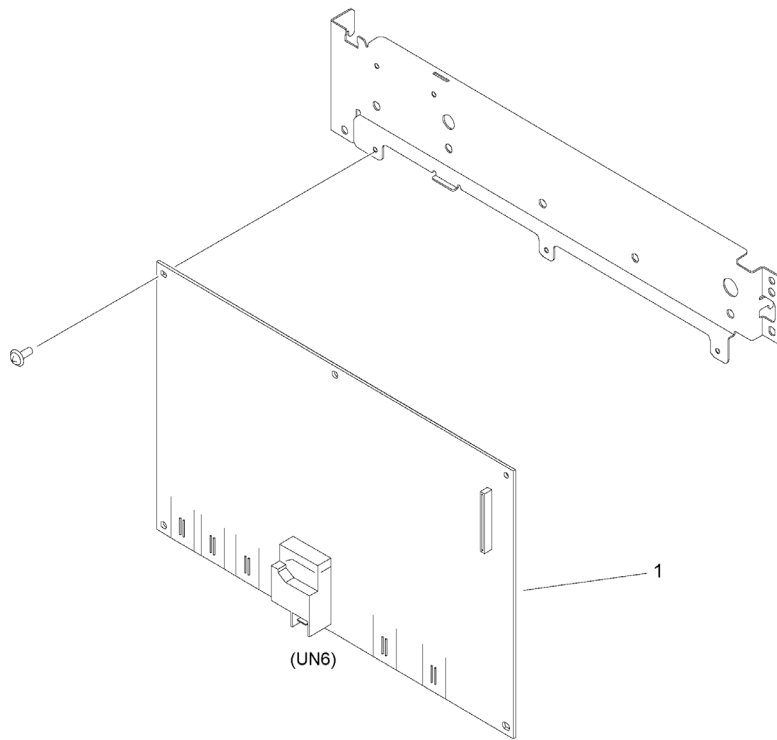


FIGURE & KEY NO.	PART NUMBER	R A N K	QTY	DESCRIPTION	SERIAL NUMBER /REMARKS
980	NPN		RF	HIGH VOLTAGE PCB ASSEMBLY	
1	FM2-L868-000		1	H.V. TRANSFER PCB ASSEMBLY	UN6

Figure B10D INTERNAL COMPONENTS (DADF-AZ1 model)

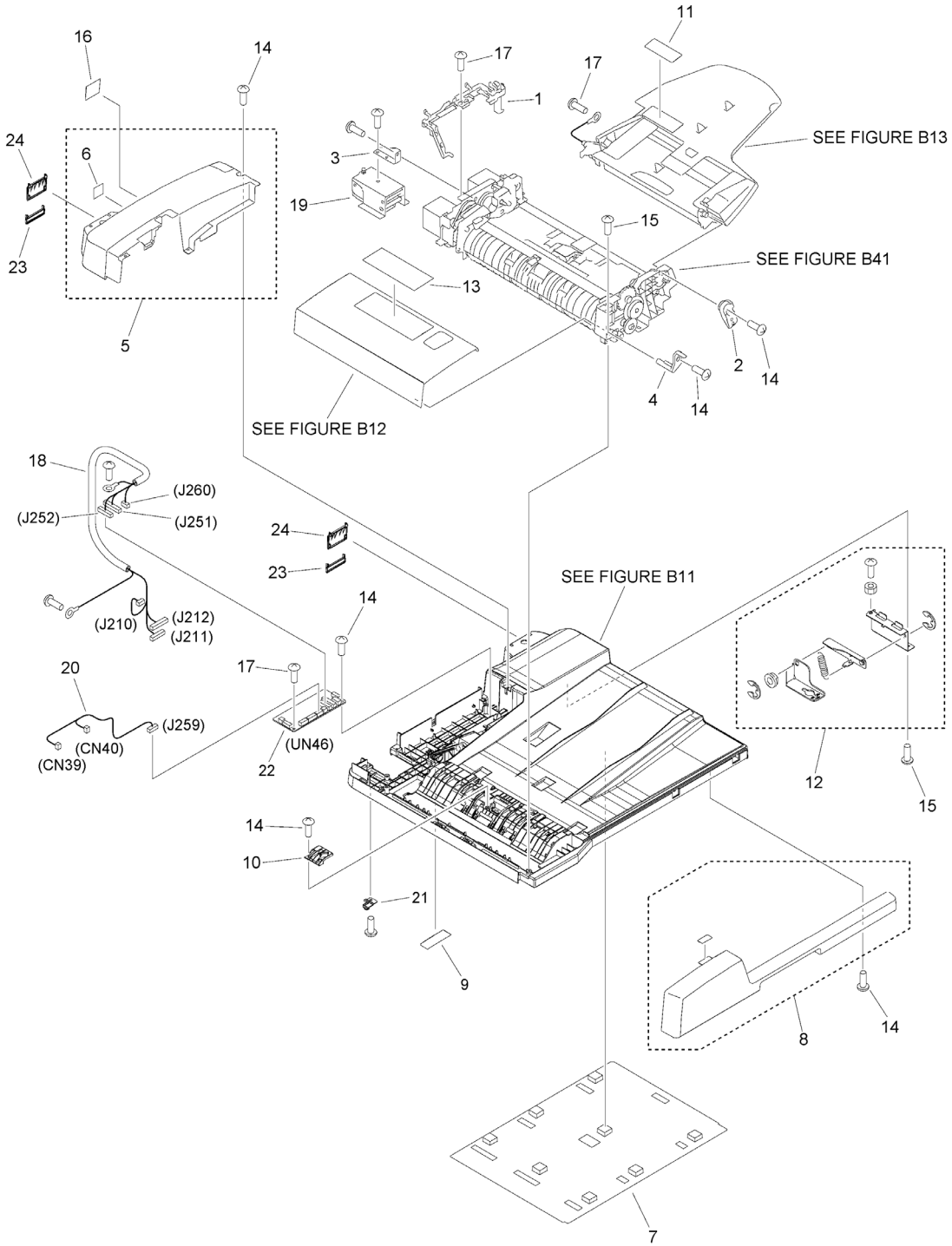




FIGURE & KEY NO.	PART NUMBER	RANK	QTY	DESCRIPTION	SERIAL NUMBER /REMARKS
B10D	NPN		RF	INTERNAL COMPONENTS	DADF-AZ1 model
1	FC3-1468-000		1	HOLDER, HARNESS	
2	FC3-1492-000		1	HOLDER, TRAY SHAFT	
3	FC3-1496-000		1	BRACKET, SUPPORT	
4	FC9-9558-000		1	HOLDER, FEEDER SHAFT	
5	FL1-0300-000		1	COVER, REAR	
6	FE8-0363-000		1	LABEL, HINGE CAUTION	
7	FF3-4624-000		1	PANEL, COPYBOARD	
8	FL1-0306-000		1	COVER, FRONT	
9	FE2-F914-000		1	LABEL, HINGE CAUTION	
10	FE8-1496-000		1	COVER, STAMP	
11	FE2-D039-000		1	LABEL, DOCUMENT SIZE	
12	FG3-4039-000		1	HINGE UNIT (RIGHT)	
13	FE2-D038-000		1	LABEL, ADF CAUTION	
14	FS2-9569-000		9	SCREW, M3X10	
15	FS2-9571-000		13	SCREW, M4X12	
16	FE2-H829-000		1	LABEL, HINGE CAUTION	
17	FS2-9567-000		3	SCREW, M3X6	
18	FM2-K848-000		1	CABLE, INTERFACE	
19	FC8-0633-000		1	HINGE	
20	FM4-3616-000		1	CABLE, OPEN/CLOSE SENSOR	
21	FE3-8904-000		1	SUPPORT, SENSOR LEVER	
22	FM2-K852-000		1	ADF PCB ASSEMBLY	UN46
23	FE2-C907-000		2	COVER, HINGE, 1	
24	FE2-C908-000		2	COVER, HINGE, 2	

Figure B11 BASE ASSEMBLY (DADF-AZ1 model)

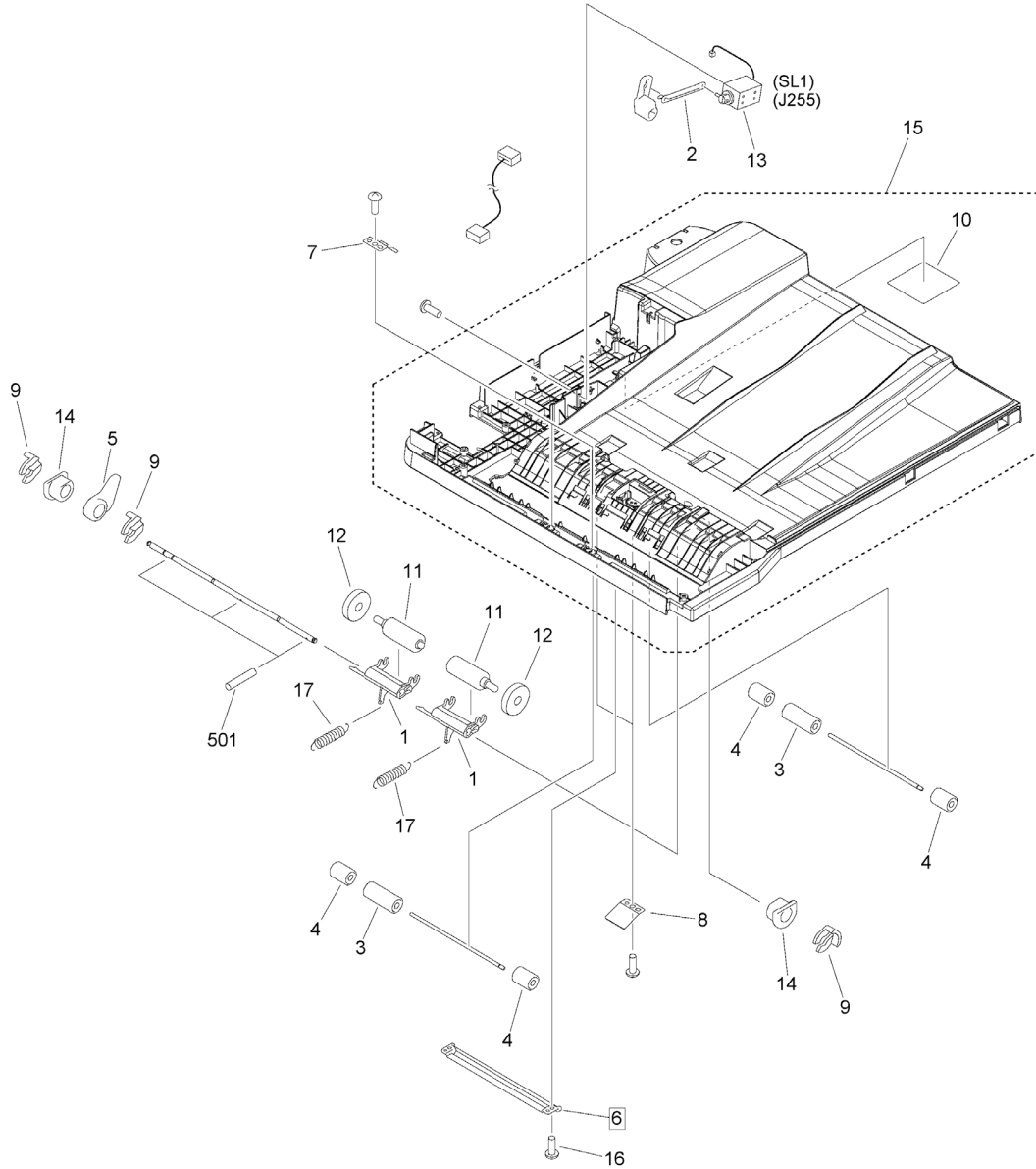


FIGURE & KEY NO.	PART NUMBER	RANK	QTY	DESCRIPTION	SERIAL NUMBER /REMARKS
B11	NPN		RF	BASE ASSEMBLY	DADF-AZ1 model
1	FC3-1450-000		2	HOLDER, DELIVERY RELEASE	
2	FC3-1452-000		1	ARM, SOLENOID	
3	FC3-1454-000		2	ROLLER, PAPER FEED, 1	
4	FC3-1455-000		4	ROLLER, PAPER FEED, 2	
5	FC3-1491-000		1	ARM, DELIVERY RELEASE	
6	FL1-0304-000		1	COVER, FEED	[DP]
7	FC3-1497-000		2	SPRING, LEAF	
8	FC3-1498-000		2	SPRING, LEAF	
9	FC5-4425-000		3	CLIP	
10	FE8-0368-000		1	LABEL, HINGE CAUTION	
11	FC3-1451-000		2	ROLLER	
12	FC8-6419-000		2	DAMPER, DELIVERY	
13	FH6-5136-000		1	SOLENOID	SL1
14	FU6-1222-000		2	BUSHING, DELIVERY RELEASE	
15	FL1-0307-000		1	FRAME, BASE	
16	FS2-9569-000		2	SCREW, M3X10	
17	FS4-2743-000		2	SPRING	
501	XD9-0288-000		3	PIN, DOWEL	

Figure B12 OPEN/CLOSE COVER ASSEMBLY (DADF-AZ1 model)

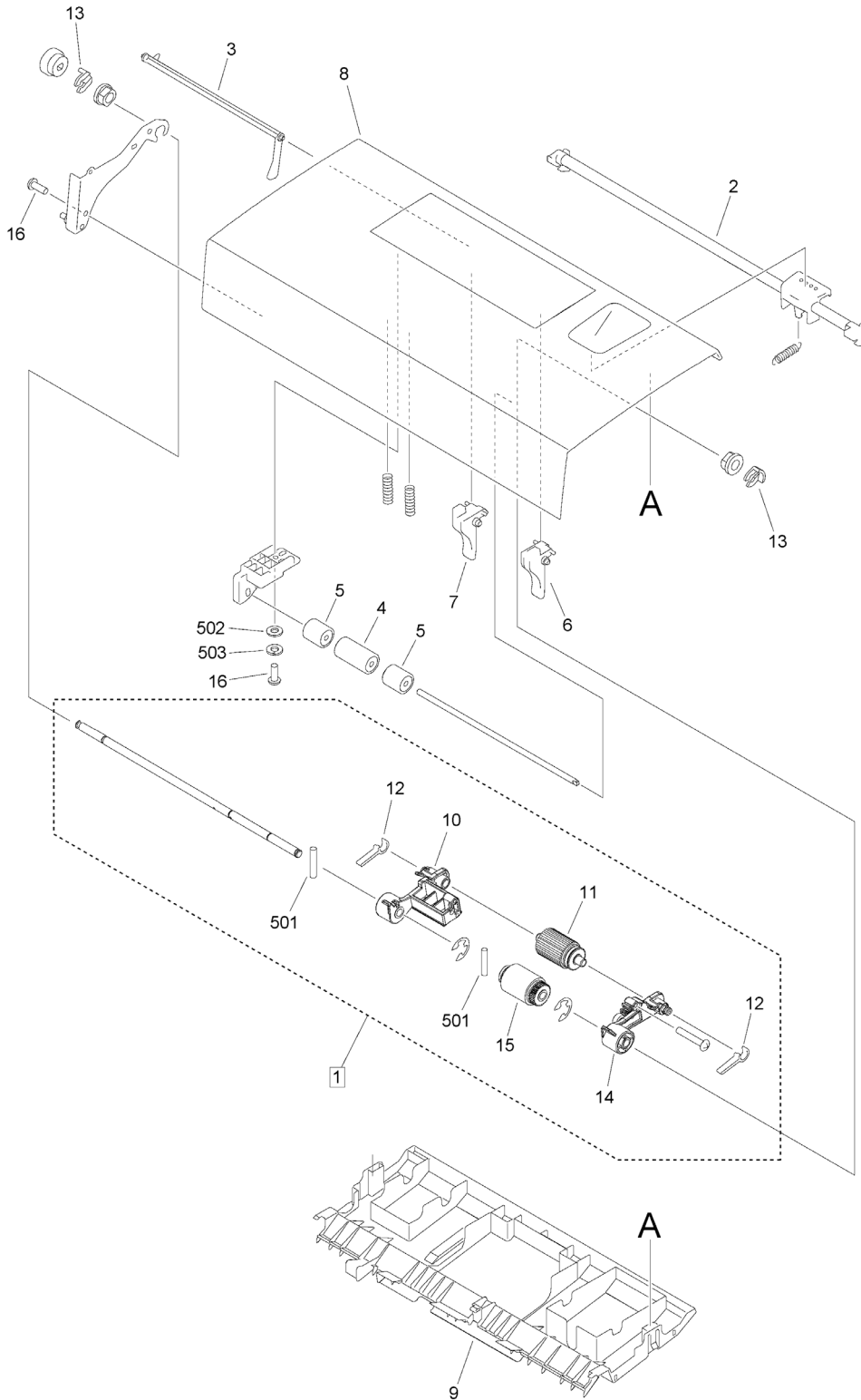


FIGURE & KEY NO.	PART NUMBER	R A N K	QTY	DESCRIPTION	SERIAL NUMBER /REMARKS
B12	FM1-L718-000		1	OPEN/CLOSE COVER ASSEMBLY	DADF-AZ1 model
1	FG3-4043-000		1	PICK-UP ROLLER ASSEMBLY	[DP]
2	FE8-1482-000		1	LEVER, OPEN/CLOSE	
3	FC3-1478-000		1	LEVER, SENSOR	
4	FC3-1479-000		1	ROLLER, REGISTRATION, 1	
5	FC3-1480-000		2	ROLLER REGISTRATION, 2	
6	FC9-9559-000		1	SHUTTER, FRONT	
7	FC9-9560-000		1	SHUTTER, REAR	
8	FL1-0298-000		1	COVER, OPEN/CLOSE	
9	FL1-0296-000		1	GUIDE, OPEN/CLOSE	
10	FG3-4045-000		1	PICK-UP ARM UNIT, REAR	
11	FC3-1525-000		1	ROLLER, PICK-UP	
12	FC9-9561-000		2	STOPPER	
13	FC5-4425-000		2	CLIP	
14	FG3-4041-000		1	PICK-UP ARM UNIT, FRONT	
15	FG3-4044-000		1	SEPARATION ROLLER UNIT	
16	FS2-9569-000		3	SCREW, M3X10	
501	XD9-0288-000		2	PIN, DOWEL	
502	XD1-2100-305		1	PLAIN WASHER	
503	XD1-3100-305		1	WASHER,SPRING,S	

Figure B13 DOCUMENT TRAY ASSEMBLY (DADF-AZ1 model)

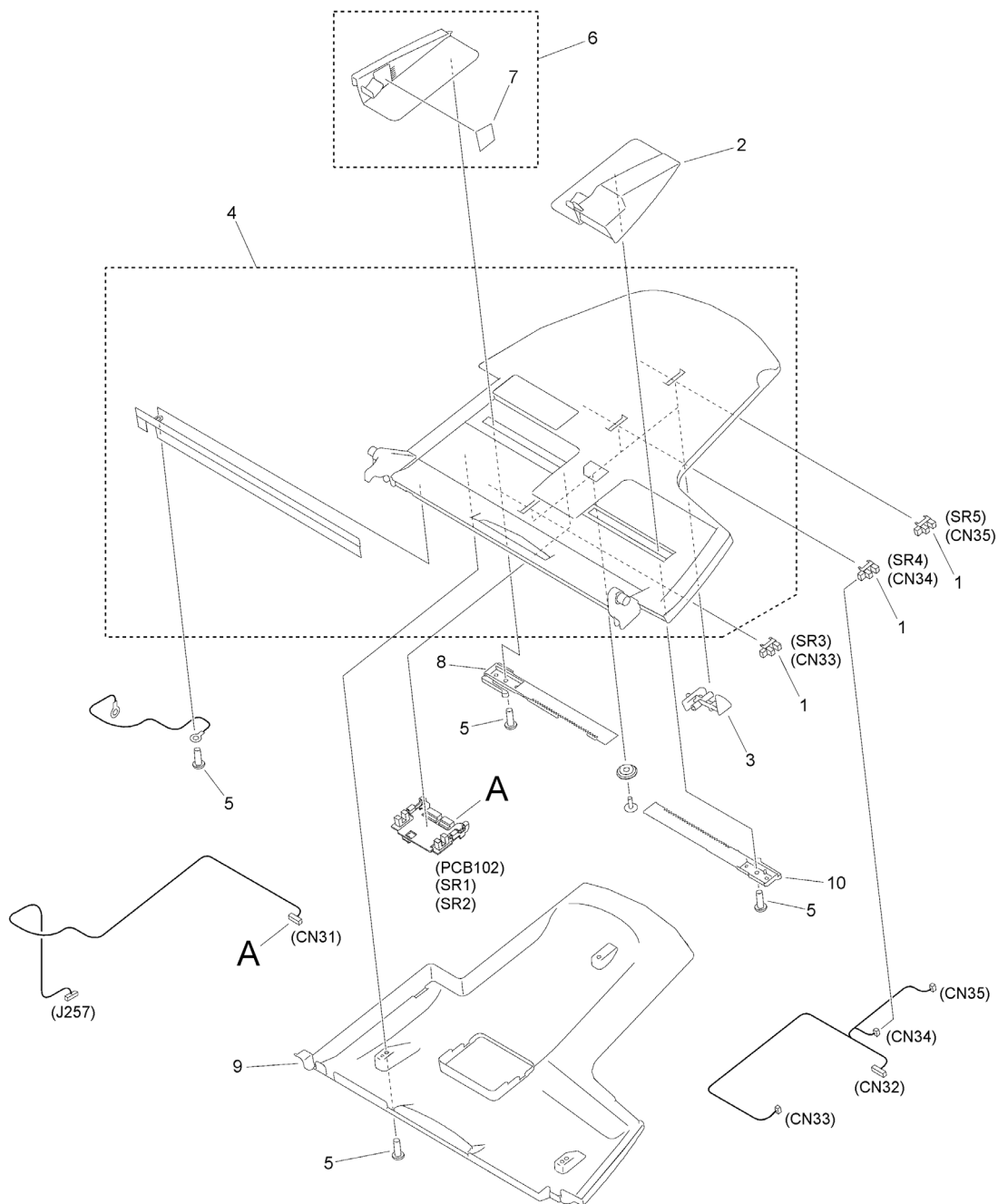


FIGURE & KEY NO.	PART NUMBER	R A N K	QTY	DESCRIPTION	SERIAL NUMBER /REMARKS
B13	FM1-Y392-000		1	DOCUMENT TRAY ASSEMBLY	DADF-AZ1 model
1	WG8-5935-000		3	IC, PHOTO INTERRUPTER	SR3, SR4, SR5
2	FE2-C155-000		1	GUIDE, TRAY, FRONT	
3	FE2-C158-000		3	LEVER, TRAY SENSOR	
4	FL4-1530-000		1	TRAY, DOCUMENT, UPPER	
5	FS2-9569-000		6	SCREW, M3X10	
6	FL1-6408-000		1	GUIDE, TRAY, REAR	
7	FE2-C160-000		1	LABEL, DOCUMENT MAXIMUM LOAD	
8	FE2-C159-000		1	RACK, TRAY	
9	FL1-6407-000		1	COVER, TRAY, LOWER	
10	FL1-6406-000		1	RACK, TRAY	

Figure B41 PAPER FEEDER ASSEMBLY (DADF-AZ1 model)

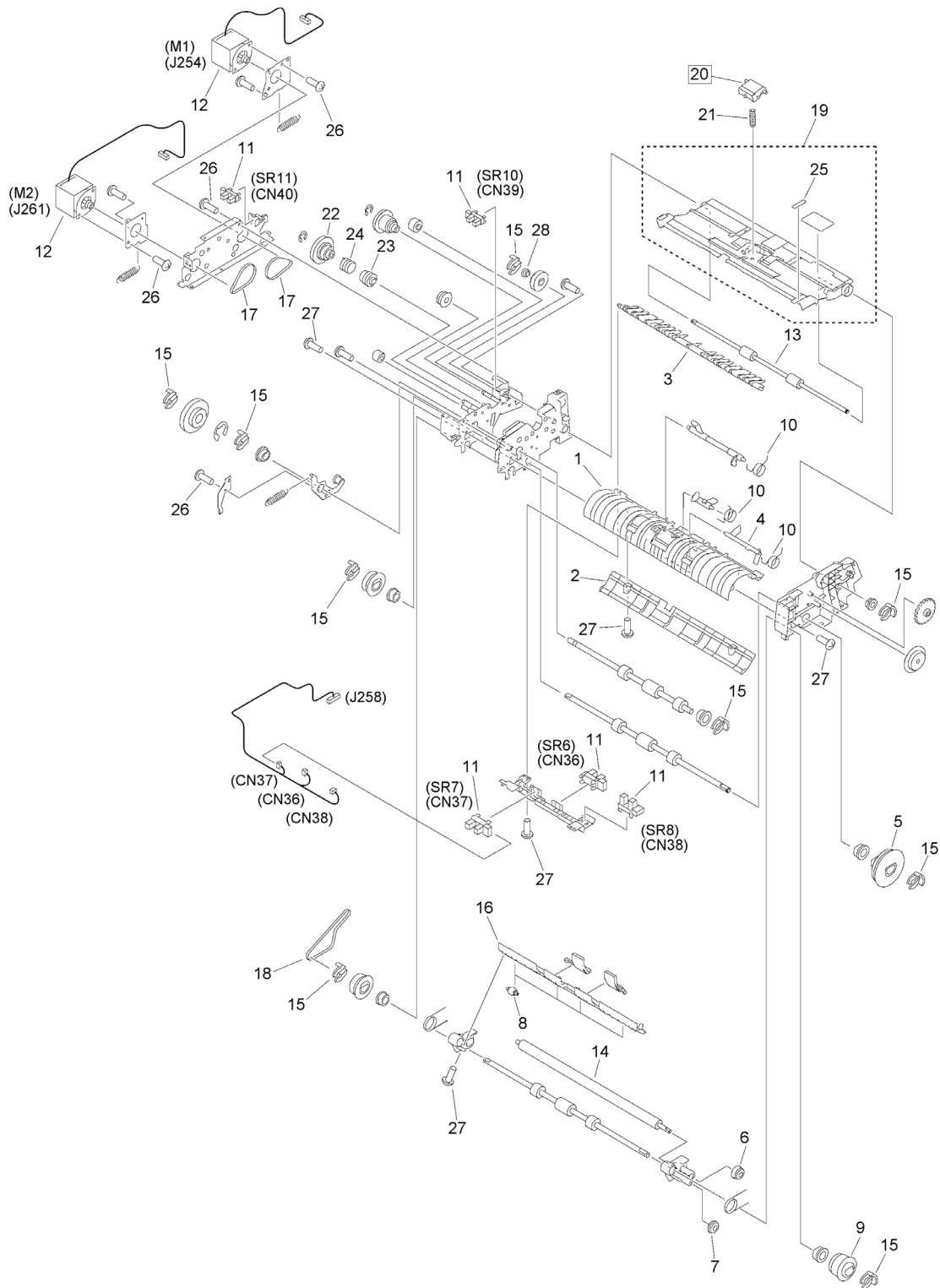


FIGURE & KEY NO.	PART NUMBER	RANK	QTY	DESCRIPTION	SERIAL NUMBER /REMARKS
B41	FM1-L701-000		1	PAPER FEEDER ASSEMBLY	DADF-AZ1 model
1	FC3-1460-000		1	GUIDE, FEEDER	
2	FE8-1497-000		1	GUIDE, PLATEN	
3	FC3-1463-000		1	FLAPPER	
4	FC3-1465-000		1	FLAG, READ SENSOR	
5	FS4-0650-000		1	GEAR, 31T	
6	FS4-0651-000		1	GEAR, 14T	
7	FS4-0652-000		1	GEAR, 15T	
8	FC6-8973-000		4	ROLLER, PLATEN	
9	FS4-0653-000		1	GEAR, 18T	
10	FS4-2753-000		3	SPRING, TORSION	
11	WG8-5935-000		5	IC, PHOTO INTERRUPTER	SR6, SR7, SR8, SR10, SR11
12	FK2-9425-000		2	MOTOR, STEPPING	M1, M2
13	FC3-1511-000		1	ROLLER, DELIVERY REVERSE	
14	FC3-1512-000		1	ROLLER, WHITE	
15	FC5-4425-000		9	CLIP	
16	FL1-0305-000		1	PLATEN GUIDE UNIT	
17	XF2-1607-240		2	BELT, TIMING	
18	XF2-1611-740		1	BELT, TIMING	
19	FF3-4631-010		1	REVERSE GUIDE UNIT	
20	FL3-3239-000		1	PAD, SEPARATION	[DP]
21	FS4-2746-000		1	SPRING, COMPRESSION	
22	FS2-3885-000		1	PULLEY, 57T, GEAR, 23T	
23	FS4-0645-000		1	GEAR, 16T	
24	FS4-2752-000		1	SPRING, TENSION	
25	FU6-8742-000		1	LABEL, GREEN	
26	FS2-9567-000		7	SCREW, M3X6	
27	FS2-9569-000		10	SCREW, M3X10	
28	FU5-1172-000		1	BUSHING	



Figure D11K READER ASSEMBLY (IR 2645, 2635 SERIES SG, HK, IN)

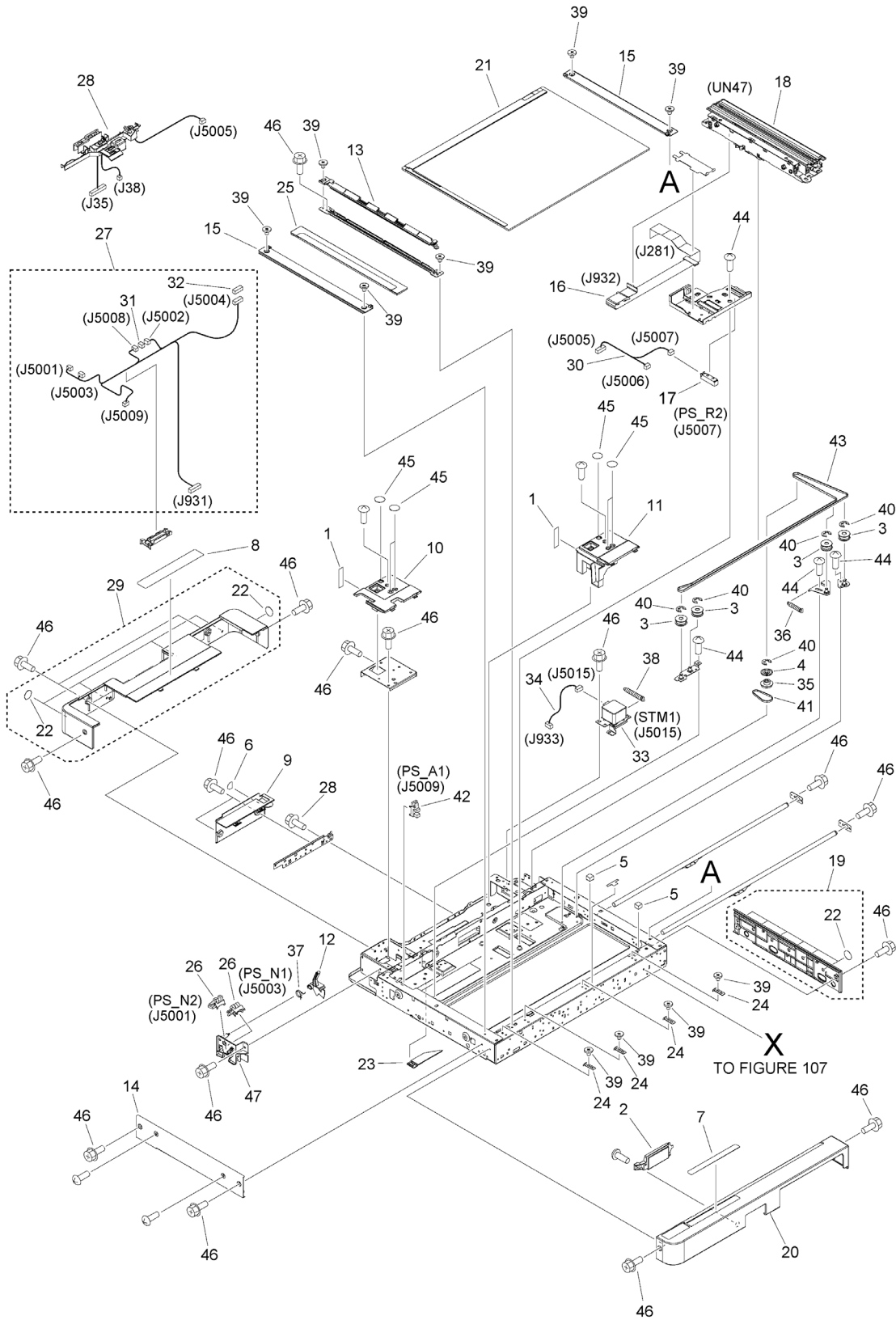




FIGURE & KEY NO.	PART NUMBER	RANK	QTY	DESCRIPTION	SERIAL NUMBER /REMARKS
D11K	NPN		RF	READER ASSEMBLY	IR 2645, 2635 SERIES SG, HK, IN
1	FE8-5713-000		2	SHEET, HINGE COVER	
2	FE2-C437-000		1	COVER, READER, FRONT, SMALL	
3	FE8-5627-000		4	PULLEY	
4	FE8-5626-000		1	PULLEY	
5	FL1-3735-000		2	SPACER, SHAFT CUSHION	
6	FL1-2761-000		1	SEAL, CABLE BLANKING	
7	FE2-D024-000		1	LABEL, LAMP CAUTION	
8	FE8-4672-000		1	LABEL, COPY INHIBITED	
9	FE8-5772-000		1	COVER, MAINTENANCE	
10	FE8-5212-000		1	COVER, HINGE LOWER, LEFT	
11	FE8-5213-000		1	COVER, HINGE LOWER, RIGHT	
12	FE8-5215-000		1	FLAG, OPEN/CLOSE SENSOR	
13	FE8-5246-000		1	COVER, GLASS SUPPORT	
14	FE8-5247-000		1	COVER, READER, LEFT	
15	FE8-5747-000		2	COVER, GLASS RETAINING	
16	FK4-6060-000		1	CABLE, FLAT	
17	FK4-4384-000		1	IC, PHOTO SENSOR,DOCUMENT SIZE	PS_R2
18	FM1-Z292-000		1	SCANNER UNIT	UN47
19	FL1-2756-000		1	COVER, SIDE, RIGHT	
20	FL1-7167-000		1	COVER, READER, FRONT	
21	FL1-5546-000		1	GLASS, COPYBOARD	
22	FL0-5737-000		11	SEAL, BLANKING	
23	FL0-3213-000		1	GUIDE, FRAME, LOWER	
24	FL1-2779-000		4	COVER, GLASS RETAINING	
25	FL3-3206-000		1	GLASS, READER	
26	WG8-5935-000		2	IC, PHOTO INTERRUPTER	PS_N1, PS_N2
27	FM2-J856-000		1	CABLE, SENSOR	
28	FM1-Y456-000		1	CABLE ASSEMBLY	
29	FL1-2860-000		1	COVER, REAR	
30	FM0-4619-000		1	CABLE, SIZE DETECT	
31	VS1-7207-003		1	CONNECTOR, SNAP TIGHT, BK	
32	VS1-7207-006		1	CONNECTOR, SNAP TIGHT	
33	FM1-R025-000		1	MOTOR ASS'Y	STM1
34	FM0-4614-000		1	CABLE, MOTOR	
35	FL0-0825-000		1	PULLEY, 24T/41T	
36	FU2-2214-000		1	SPRING, TENSION	
37	FU2-2215-000		1	SPRING, TORSION	
38	FU2-2200-000		1	SPRING, TENSION	
39	XA9-2017-000		10	SCREW, PANHEAD MACHINE M4X6	
40	XD9-0136-000		5	RING, E	
41	XF2-4606-835		1	BELT, TIMING	
42	WG8-5783-000		1	IC,PHOTO-INTERRUPTER,LG248NL1A	PS_A1

FIGURE & KEY NO.	PART NUMBER	R A N K	QTY	DESCRIPTION	SERIAL NUMBER /REMARKS
43	XF2-4668-040		1	BELT, TIMING	
44	XA9-1116-030		5	SCREW,M3X5	
45	FL0-5737-000		6	SEAL, BLANKING	
46	XA9-1386-000		15	SCREW,RS,M3X8	
47	FE3-3614-000		1	MOUNT, OPEN/CLOSE SENSOR FLAG	

Figure D11M (1/2)READER ASSEMBLY (IR 2630, 2625 SERIES SG, HK, IN)

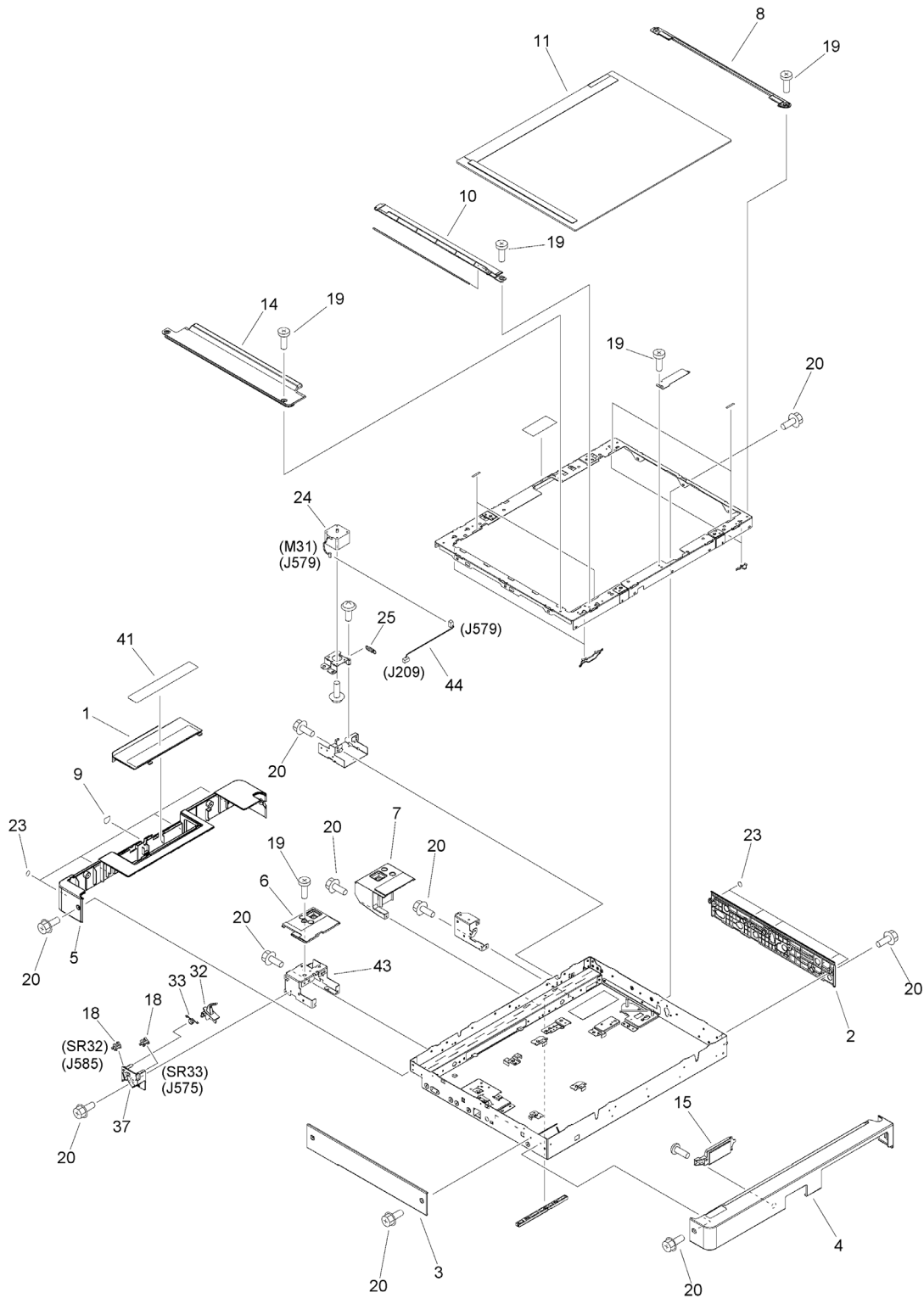


Figure D11M (2/2) READER ASSEMBLY (IR 2630, 2625 SERIES SG, HK, IN)

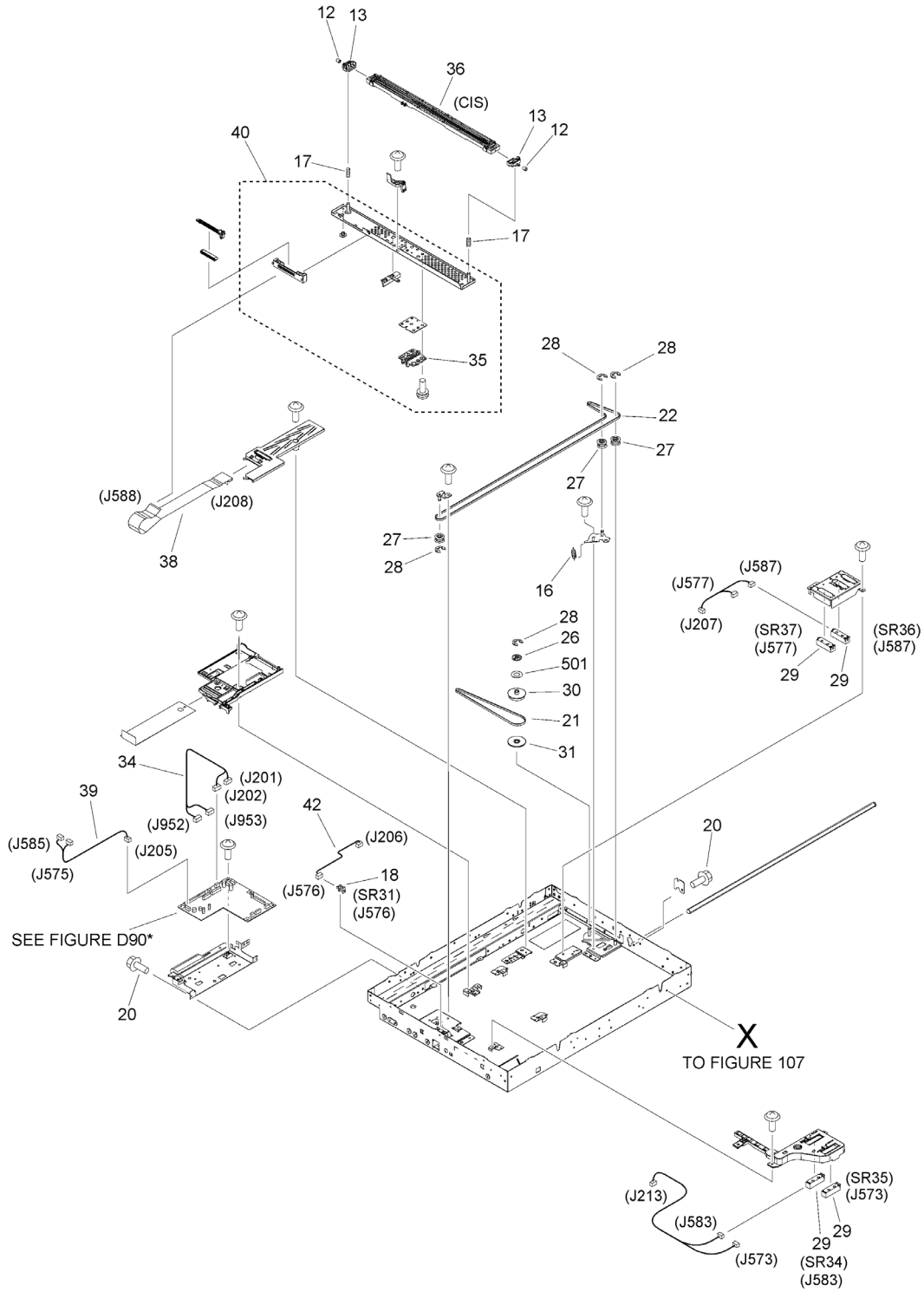




FIGURE & KEY NO.	PART NUMBER	RANK	QTY	DESCRIPTION	SERIAL NUMBER /REMARKS
D11M	NPN		RF	READER ASSEMBLY	IR 2630, 2625 SERIES SG, HK, IN
1	FE2-D051-000		1	COVER, MAINTENANCE	
2	FE2-D052-000		1	COVER, READER, RIGHT	
3	FE2-D053-000		1	COVER, READER, LEFT	
4	FL1-7166-000		1	COVER, READER, FRONT	
5	FE2-D050-000		1	COVER, READER, REAR	
6	FL1-7168-000		1	COVER, HINGE, LEFT	
7	FL1-7169-000		1	COVER, HINGE, RIGHT	
8	FM1-W318-000		1	GLASS RETAINING UNIT, RIGHT	
9	FL1-2761-000		1	SEAL, CABLE BLANKING	
10	FM1-W319-000		1	JUMP MOUNT UNIT	
11	FL1-7170-000		1	GLASS, COPYBOARD	
12	FC8-0218-000		2	COLLAR	
13	FC9-7181-000		2	GUIDE, CIS	
14	FE2-D059-000		1	COVER, READER LEFT UPPER	
15	FE2-C437-000		1	COVER, READER, FRONT, SMALL	
16	FU6-2193-000		1	SPRING, TENSION	
17	FU7-2999-000		2	SPRING, COMPRESSION	
18	WG8-5696-000		3	PHOTO INTERRUPTER, TLP1243	SR31, SR32, SR33
19	XA9-1415-000		7	SCREW, FLAT HEAD, M4	
20	XA9-1386-000		15	SCREW,RS,M3X8	
21	XF2-4620-340		1	BELT, TIMING	
22	XF2-4661-440		1	BELT, TIMING	
23	FL0-5737-000		9	SEAL, BLANKING	
24	FK2-1066-020		1	MOTOR, STEPPING	M31
25	FU6-2190-000		1	SPRING, TENSION	
26	FC6-4514-000		1	FLANGE	
27	FU5-3328-000		3	PULLEY,FOLLOWER	
28	XD9-0136-000		4	RING, E	
29	FH7-7569-000		4	DOCUMENT SIZE SENSOR UNIT	SR34, SR35, SR36, SR37
30	FU5-3340-000		1	PULLEY	
31	FC6-4506-000		1	FLANGE	
32	FC6-4561-010		1	LEVER, SENSOR	
33	FU6-2191-000		1	SPRING, SENSOR	
34	FM2-K849-000		1	CABLE, READER	
35	FE4-9796-000		1	BUSHING	
36	FL3-3145-000		1	CONTACT IMAGE SENSOR UNIT	CIS
37	FC6-4559-000		1	HOLDER, SENSOR	
38	FK4-3544-000		1	CABLE, LUGIA-CIS FLAT	
39	FM2-4400-000		1	CABLE, SENSOR	
40	FM3-9425-000		1	CARRIAGE ASSEMBLY	
41	FE8-4672-000		1	LABEL, COPY INHIBITED	

FIGURE & KEY NO.	PART NUMBER	R A N K	QTY	DESCRIPTION	SERIAL NUMBER /REMARKS
42	FM4-2861-000		1	CABLE, HOME POSITION SENSOR	
43	FC9-7188-000		1	PLATE, HINGE, LEFT	
44	FM2-4423-020		1	CABLE, READER MOTOR	
501	XD1-1106-231		1	WASHER,COP	

Figure D11N (1/2)READER ASSEMBLY (IR 2625i TW)

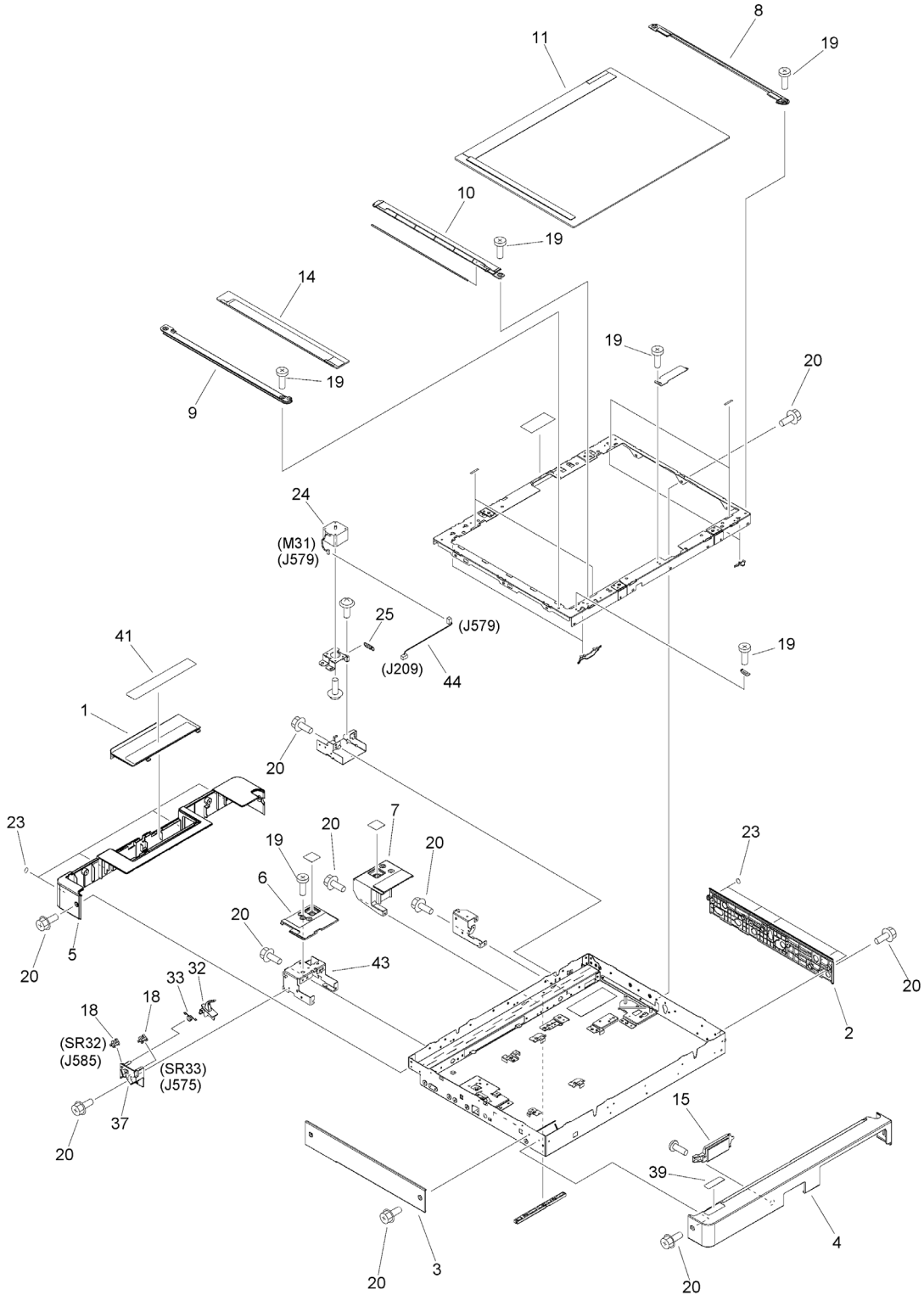


Figure D11N (2/2)READER ASSEMBLY (IR 2625i TW)

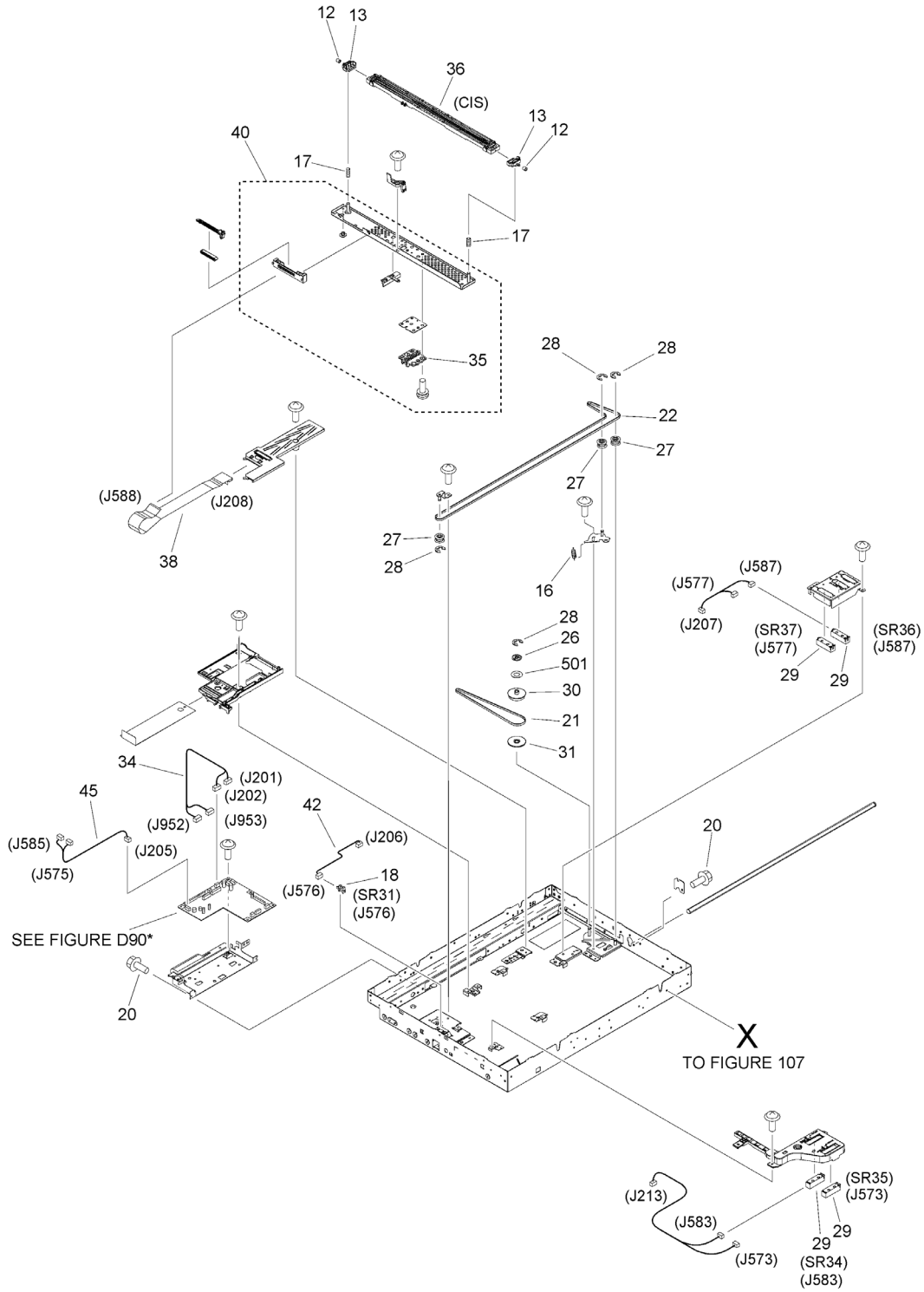


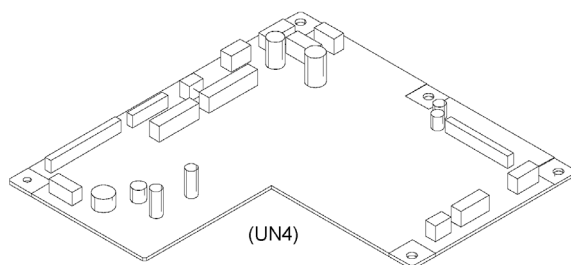
FIGURE & KEY NO.	PART NUMBER	RANK	QTY	DESCRIPTION	SERIAL NUMBER /REMARKS
D11N	NPN		RF	READER ASSEMBLY	IR 2625i TW
1	FE2-D051-000		1	COVER, MAINTENANCE	
2	FE2-D052-000		1	COVER, READER, RIGHT	
3	FE2-D053-000		1	COVER, READER, LEFT	
4	FL1-7166-000		1	COVER, READER, FRONT	
5	FE2-D050-000		1	COVER, READER, REAR	
6	FE2-D054-000		1	COVER, HINGE, LEFT	
7	FE2-D055-000		1	COVER, HINGE, RIGHT	
8	FM1-W318-000		1	GLASS RETAINING UNIT, RIGHT	
9	FE2-D058-000		1	COVER, GLASS, LEFT	
10	FM1-W319-000		1	JUMP MOUNT UNIT	
11	FL1-7170-000		1	GLASS, COPYBOARD	
12	FC8-0218-000		2	COLLAR	
13	FC9-7181-000		2	GUIDE, CIS	
14	FL3-3144-010		1	GLASS, FLOW SCAN	
15	FE2-C437-000		1	COVER, READER, FRONT, SMALL	
16	FU6-2193-000		1	SPRING, TENSION	
17	FU7-2999-000		2	SPRING, COMPRESSION	
18	WG8-5696-000		3	PHOTO INTERRUPTER, TLP1243	SR31, SR32, SR33
19	XA9-1415-000		8	SCREW, FLAT HEAD, M4	
20	XA9-1386-000		15	SCREW,RS,M3X8	
21	XF2-4620-340		1	BELT, TIMING	
22	XF2-4661-440		1	BELT, TIMING	
23	FL0-5737-000		9	SEAL, BLANKING	
24	FK2-1066-020		1	MOTOR, STEPPING	M31
25	FU6-2190-000		1	SPRING, TENSION	
26	FC6-4514-000		1	FLANGE	
27	FU5-3328-000		3	PULLEY,FOLLOWER	
28	XD9-0136-000		4	RING, E	
29	FH7-7569-000		4	DOCUMENT SIZE SENSOR UNIT	SR34, SR35, SR36, SR37
30	FU5-3340-000		1	PULLEY	
31	FC6-4506-000		1	FLANGE	
32	FC6-4561-010		1	LEVER, SENSOR	
33	FU6-2191-000		1	SPRING, SENSOR	
34	FM2-K849-000		1	CABLE, POWER, READER	
35	FE4-9796-000		1	BUSHING	
36	FL3-3145-000		1	CONTACT IMAGE SENSOR UNIT	CIS
37	FC6-4559-000		1	HOLDER, SENSOR	
38	FK4-3544-000		1	CABLE, LUGIA-CIS FLAT	
39	FE2-D042-000		1	LABEL, GLASS CLEANING	
40	FM3-9425-000		1	CARRIAGE ASSEMBLY	
41	FE8-4686-000		1	LABEL, COPY INHIBITED	
42	FM4-2861-000		1	CABLE, HOME POSITION SENSOR	



2020-12-16

FIGURE & KEY NO.	PART NUMBER	R A N K	QTY	DESCRIPTION	SERIAL NUMBER /REMARKS
43	FC9-7188-000		1	PLATE, HINGE, LEFT	
44	FM2-4423-020		1	CABLE, READER MOTOR	
45	FM2-4400-000		1	CABLE, SENSOR	
501	XD1-1106-231		1	WASHER,COP	

Figure D90B READER CONNECTING PCB ASSEMBLY (IR 2630, 2625 SERIES)

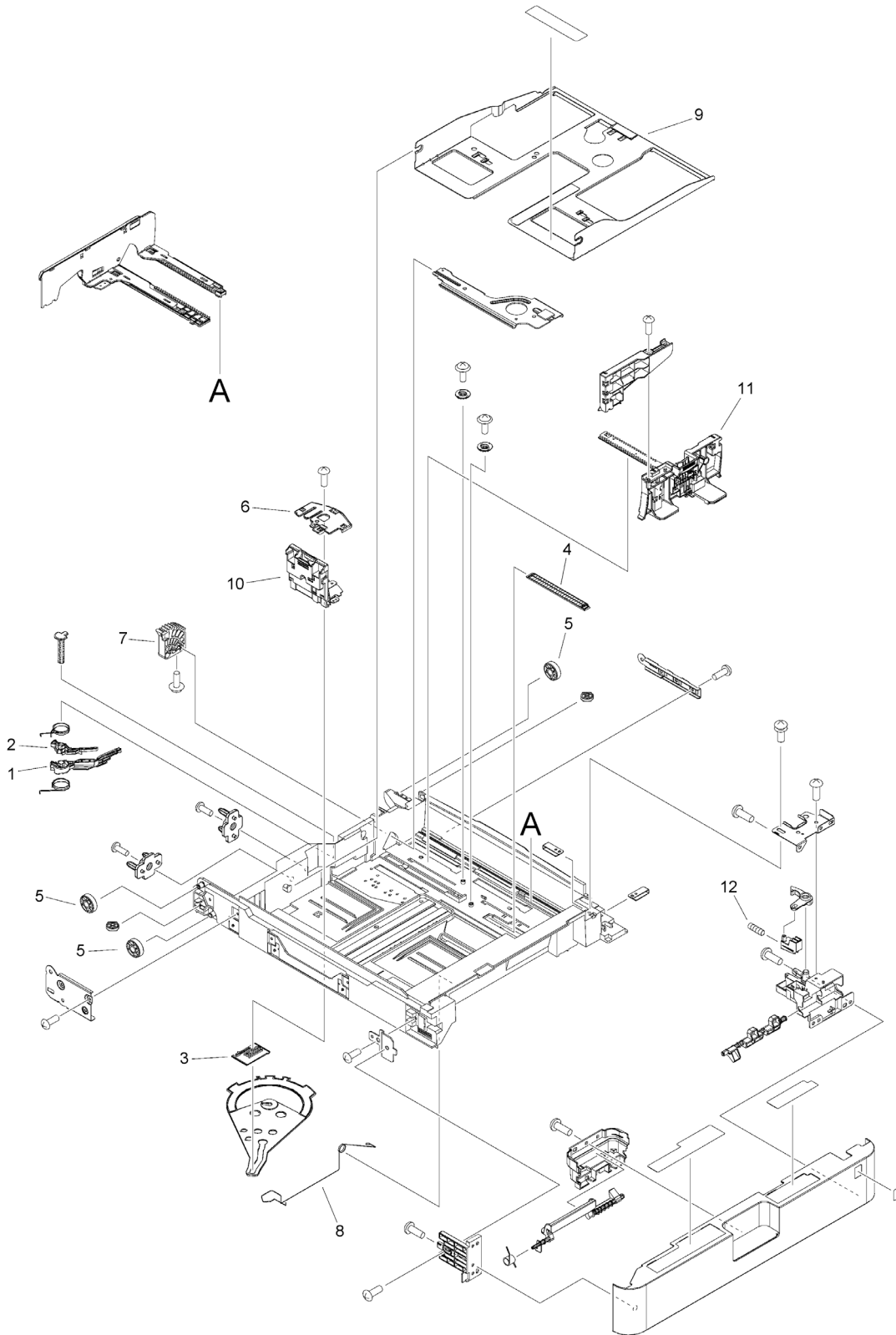




2020-12-16

FIGURE & KEY NO.	PART NUMBER	R A N K	QTY	DESCRIPTION	SERIAL NUMBER /REMARKS
D90B	FM2-K851-000		1	READER CONNECTING PCB ASSEMBLY	UN4 IR 2630, 2625 SERIES

Figure H30 CASSETTE ASSEMBLY (UPPER)



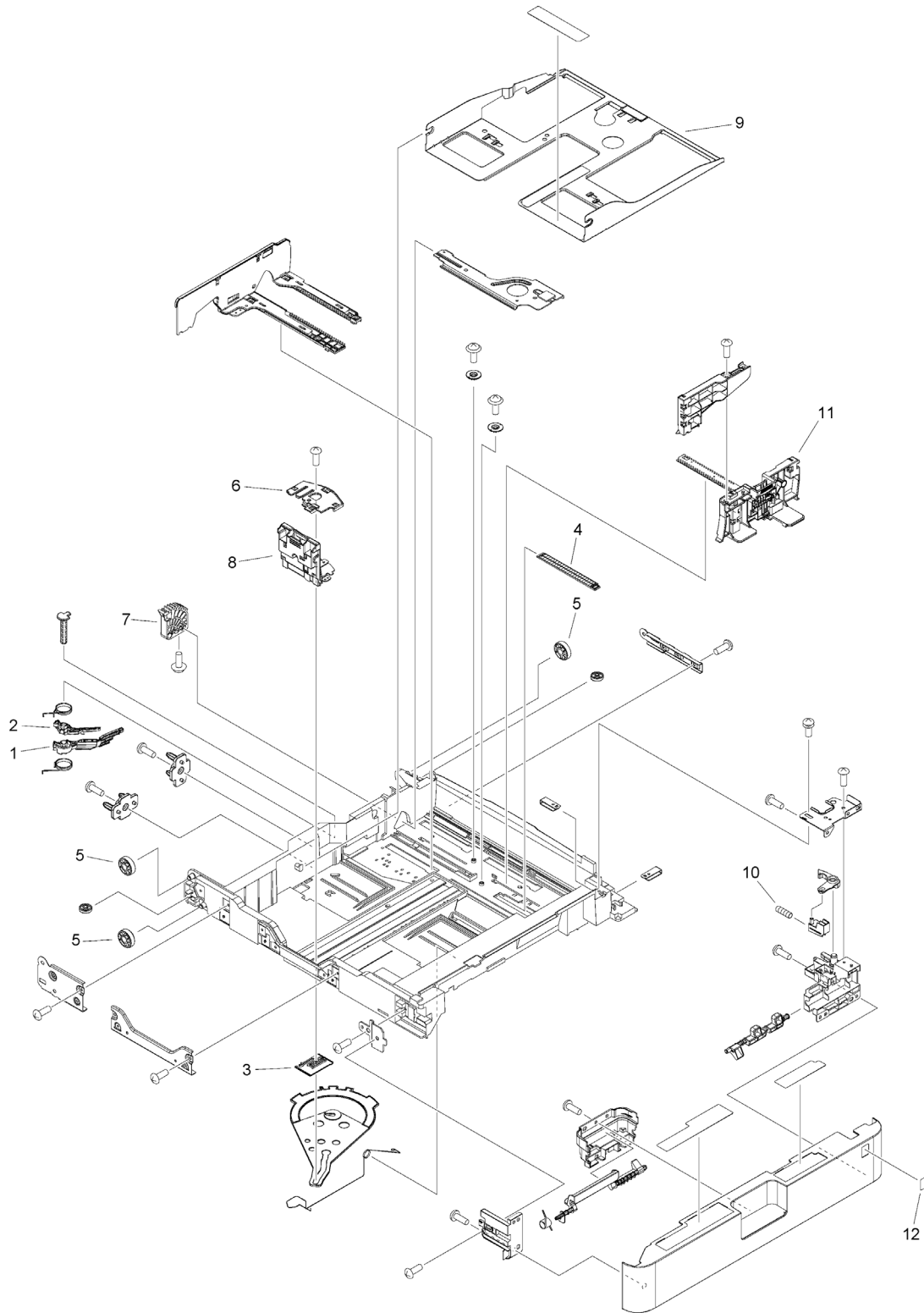


2020-12-16

FIGURE & KEY NO.	PART NUMBER	RANK	QTY	DESCRIPTION	SERIAL NUMBER /REMARKS
H30	FM1-J113-000		1	CASSETTE ASSEMBLY	UPPER
1	FC8-2469-000		1	DIAL, DETECT, SMALL	
2	FC8-2470-000		1	DIAL, DETECT, LARGE	
3	FC8-2475-000		1	PLATE, JOINT	
4	FC8-2670-000		1	PLATE, FREE STOP	
5	FC8-4970-000		3	ROLLER, CASSETTE SWING	
6	FC8-4996-000		1	COVER, TOP	
7	FC9-0129-000		1	GEAR, 9T	
8	FC9-0140-000		1	SPRING, GROUNDING	
9	FL2-9472-000		1	PLATE, CENTER	
10	FM3-8907-000		1	BACK END LIMIT PLATE ASSEMBLY	
11	FM3-8905-010		1	SIDE END PLATE ASSEMBLY, FRONT	
12	FU7-2518-000		1	SPRING, COMPRESSION	

Figure H31 CASSETTE ASSEMBLY (LOWER)

NOTE : This assembly does not include the part shown with key No. 12.





2020-12-16

FIGURE & KEY NO.	PART NUMBER	RANK	QTY	DESCRIPTION	SERIAL NUMBER /REMARKS
H31	FM1-J208-000		1	CASSETTE ASSEMBLY	LOWER
1	FC8-2469-000		1	DIAL, DETECT, SMALL	
2	FC8-2470-000		1	DIAL, DETECT, LARGE	
3	FC8-2475-000		1	PLATE, JOINT	
4	FC8-2670-000		1	PLATE, FREE STOP	
5	FC8-4970-000		3	ROLLER, CASSETTE SWING	
6	FC8-4996-000		1	COVER, TOP	
7	FC9-0129-000		1	GEAR, 9T	
8	FM3-8907-000		1	BACK END LIMIT PLATE ASSEMBLY	
9	FL2-9472-000		1	PLATE, CENTER	
10	FU7-2518-000		1	SPRING, COMPRESSION	
11	FM3-8905-010		1	SIDE END PLATE ASSEMBLY, FRONT	
12	FE4-7285-000		1	LABEL, CASSETTE NUMBER 2	SEE NOTE

Figure ZZA MECHANICAL STANDARD PARTS (HOW TO USE)

Mechanical standard parts

機械標準部品

About a mechanical standard parts

A Mechanical standard parts is a mechanical part which not parts peculiar to a product.
They are parts which are common to a Canon product and are used, such as a screw and a washer.
The Fig No. and parts number of the mechanical standard parts are not listed in the product parts catalog.
Refer to the parts catalog of mechanical standard parts when checking the parts number for screw or washer etc. and identify them by part shape or size.

機械標準部品とは

機械標準部品とは、製品特有の部品ではなく、ねじやワッシャなどキヤノン製品共通で使用されている機械部品（メカ部品）のことです。
製品のパーツカタログには、機械標準部品のFig No.や部品番号は記載しておりません。
ねじや、ワッシャ等の部品番号を調べるときは、機械標準部品のパーツカタログを参照し、部品の形状や大きさから判断し、使用している部品を調べてください。

Material and surface treatment of a mechanical standard parts

Material and surface treatment of mechanical standard parts are assigned commonly for each part.
Refer to the Table 1 for the parts which material and surface treatment are assigned as numbers.

機械標準部品の材料および表面処理

機械標準部品の材料および表面処理については、各種部品共通で決められています。
材料および表面処理が番号で決められている部品については、表1を参照してください。

Table 1 Material and Surface treatment

表1 材料および表面処理

No. 番号	Material 材料	Surface treatment 表面処理	Color 色
1	Stainless steel ステンレス	Stainless steel black coloring (BC4) ステンレス黒着色(BC4)	Black 黒
2		not to be given なし	White 白
3	Brass 黄銅	Regular nickel plating (NL) 普通ニッケルメッキ(NL)	White 白
4		Black nickel plating (BN) 黒色ニッケルメッキ(BN)	Black 黒
5	Steel 鋼	White zinc trivalent chromate treating (ZC3) 白色亜鉛3価クロメート(ZC3)	White 白
6		Regular nickel chromium plating (NC) 普通ニッケルクロムメッキ(NC)	White 白
7		Regular nickel plating (NL) 普通ニッケルメッキ(NL)	White 白
8		Iron and steel phosphating (P1) 鉄鋼磷酸塩処理(P1)	Black 黒
9		Black zinc trivalent chromate treating (BZ3) 黒色亜鉛3価クロメート(BZ3)	Black 黒

Figure ZZB (1/7)MECHANICAL STANDARD PARTS (SCREWS)

1. Screws
ねじHow to read Parts Numbers
部品番号の見方Screws
ねじ

XB1-2400-609

Type No.
類別番号

Normal designation (d)
ねじの呼び (d)

Length (L)
ねじの長さ (L)

Material and Surface treatment
材料および表面処理

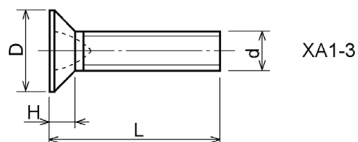
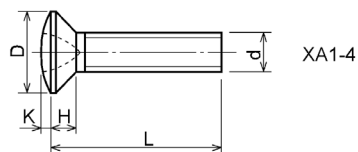
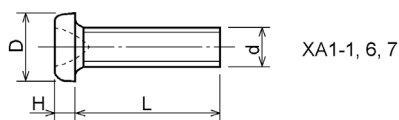
XB1-2 expresses Binding head machine screw.
XB1-2は、バインドねじを表す

40 expresses M4.0.
40は、M4.0を表す

0-60 expresses a length of 6.0mm.
0-60は、6.0mmの長さを表す

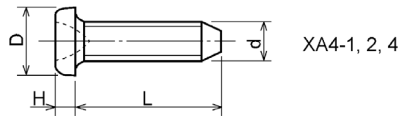
9 expresses Steel (Black zinc trivalent chromate
treating) from Table 1.

9は、表1より鋼（黒色亜鉛3価クロメート）を表す

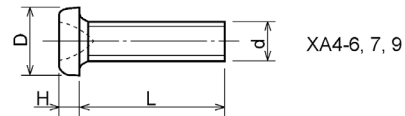
1-1. Cross Recessed Head Screws for Precision Equipments
精密機器用十字穴付き小ねじ

Type No. 類別番号	Type 類別	Head size (mm) 頭部寸法 (mm)						
		M1.4	M1.6	M1.7	M2	M2.5	M2.6	
XA1-1	Pan head Class 1 なべ1種	D	2	2.4	2.5	3	3.8	4
		H	0.5	0.55	0.5	0.6	0.9	0.8
XA1-3	Countersunk head Class 1 さら1種	D	2	2.4	2.5	3	3.8	4
		H	0.48	0.55	0.58	0.73	0.85	0.93
XA1-4	Oval countersunk head Class 1 丸さら1種	D	2	2.4	2.5	3	3.8	4
		H + K	0.68	0.8	0.88	1	1.25	1.3
XA1-6	Pan head Class 3 なべ3種	D	2.5	2.8	3	3.5	4.3	4.5
		H	0.8	0.85	0.9	1	1.3	1.2
XA1-7	Pan head Class 2 なべ2種	D	2.5	2.8	3	3.5	4.3	4.5
		H	0.5	0.55	0.5	0.6	0.9	0.8

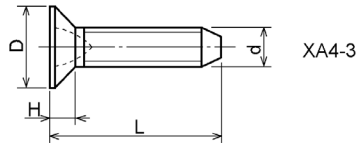
Figure ZZB (2/7) MECHANICAL STANDARD PARTS (SCREWS)

1-2. Precision Tapping Screws
精密用タッピンねじ

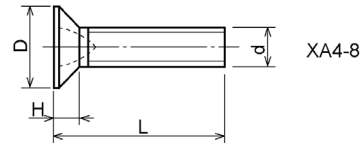
XA4-1, 2, 4



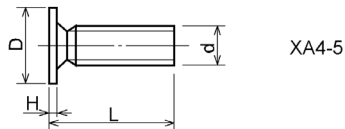
XA4-6, 7, 9



XA4-3



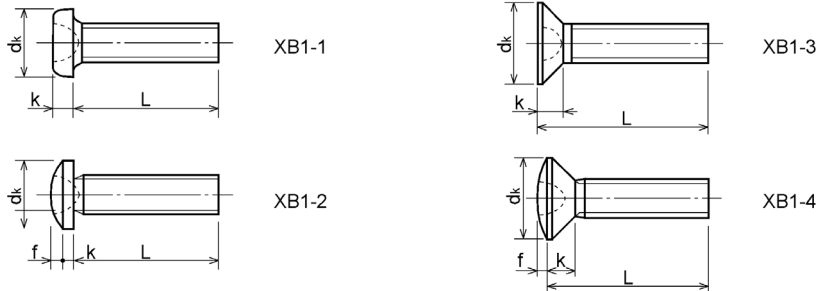
XA4-8



XA4-5

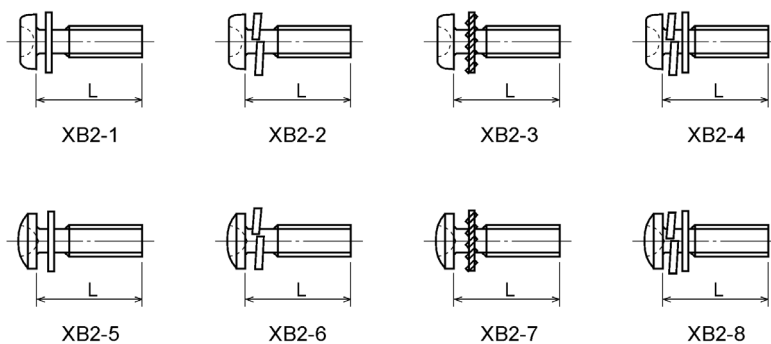
Type No. 類別番号	Type 類別	Head size (mm) 頭部寸法 (mm)						
		M1.4	M1.6	M1.7	M2	M2.5	M2.6	
XA4-1	With tapered end pan head Class 1 絞り-なべ1種	D XA4-1	2	2.4	2.5	3	3.8	4
		H XA4-1	0.5	0.55	0.5	0.6	0.9	0.8
XA4-2	With tapered end pan head Class 3 絞り-なべ3種	D XA4-2	2.5	2.8	3	3.5	4.3	4.5
		H XA4-2	0.8	0.85	0.9	1	1.3	1.2
XA4-3	With tapered end countersunk head 絞り-さら	D XA4-3	2	2.4	2.5	3	3.8	4
		H XA4-3	0.48	0.55	0.58	0.73	0.85	0.93
XA4-4	With tapered end pan head Class 2 絞り-なべ2種	D XA4-4	2.5	2.8	3	3.5	4.3	4.5
		H XA4-4	0.5	0.55	0.5	0.6	0.9	0.8
XA4-5	With parallel end ultra thin head ストレート-超薄頭	D XA4-5	2.5	2.8	3	-	-	-
		H XA4-5	0.2	0.2	0.2	-	-	-
XA4-6	With parallel end pan head Class 1 ストレート-なべ1種	D XA4-6	2	2.4	2.5	3	3.8	4
		H XA4-6	0.5	0.55	0.5	0.6	0.9	0.8
XA4-7	With parallel end pan head Class 3 ストレート-なべ3種	D XA4-7	2.5	2.8	3	3.5	4.3	4.5
		H XA4-7	0.8	0.85	0.9	1	1.3	1.2
XA4-8	With parallel end countersunk head ストレート-さら	D XA4-8	2	2.4	2.5	3	3.8	4
		H XA4-8	0.48	0.55	0.58	0.73	0.85	0.93
XA4-9	With parallel end pan head Class 2 ストレート-なべ2種	D XA4-9	2.5	2.8	3	3.5	4.3	4.5
		H XA4-9	0.5	0.55	0.5	0.6	0.9	0.8

Figure ZZB (3/7) MECHANICAL STANDARD PARTS (SCREWS)

1-3. Cross Recessed Head Screws
一般用十字穴付き小ねじ

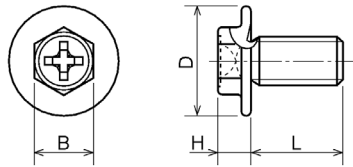
Type No. 類別番号	Type 類別	Head size (mm) 頭部寸法 (mm)					
		M2	M2.5	M2.6	M3	M4	M5
XB1-1	Pan head なべ	3.5	4.5	4.5	5.5	7	9
XB1-2	Binding head バインド	1.2	1.5	1.6	1.9	2.5	3.1
XB1-3	Countersunk head さら	4	5	-	6	8	10
XB1-4	Oval countersunk head 丸さら	1.6	2	-	2.45	3.2	4
	Screw part length ねじ部長さ b	8	12	12	12	16	20

Figure ZZB (4/7) MECHANICAL STANDARD PARTS (SCREWS)

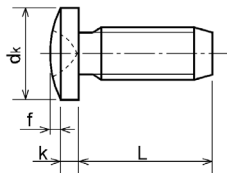
1-4. Cross Recessed Head Screws with Captive Washer
座金組込み十字穴付き小ねじ

Type No. 類別番号	Type 類別
XB2-1	Pan head + Plain washer (circular bright) なべねじ+平座金
XB2-2	Pan head + Spring washer なべねじ+ばね座金
XB2-3	Pan head + Toothed lock washer なべねじ+歯付座金
XB2-4	Pan head + Spring washer and plain washer (circular bright) なべねじ+(ばね+平)座金
XB2-5	Binding head + Plain washer (circular bright) バインドねじ+平座金
XB2-6	Binding head + Spring washer バインドねじ+ばね座金
XB2-7	Binding head + Toothed lock washer バインドねじ+歯付座金
XB2-8	Binding head + Spring washer and plain washer (circular bright) バインドねじ+(ばね+平)座金

Figure ZZB (5/7) MECHANICAL STANDARD PARTS (SCREWS)

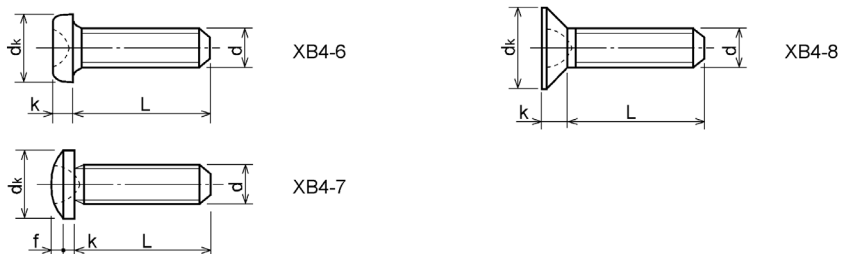
1-5. Hexagon Head Tapping Screws for Matallic Materials
金属用六角タッピンねじ

Type No. 類別番号	Type 類別	Head size (mm) 頭部寸法 (mm)		
		M3	M4	
XB3-6	For metallic materials 金属用タッピン	D	8	10
		B	5.5	5.5
XB3-7	For metallic materials with clawed 金属用タッピン-つめ付き	H XB3-6	3.1	3.1
		H XB3-7	3.2	3.2

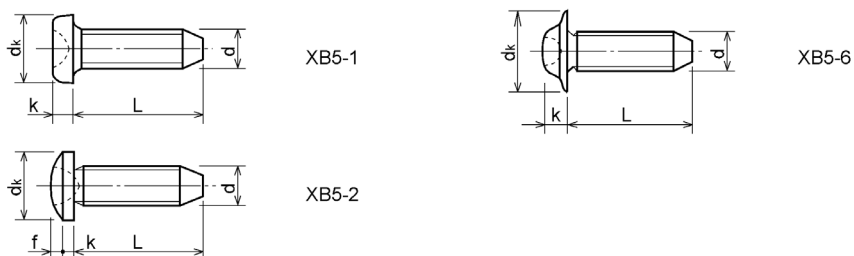
1-6. Special Tapping Screws
特殊タッピンねじ

Type No. 類別番号	Type 類別	Head size (mm) 頭部寸法 (mm)		
		M3	M4	
XB4-5	Binding head バインド	dk	6.3	8.3
		k	1.3	1.7
		k+f	1.9	2.5

Figure ZZB (6/7) MECHANICAL STANDARD PARTS (SCREWS)

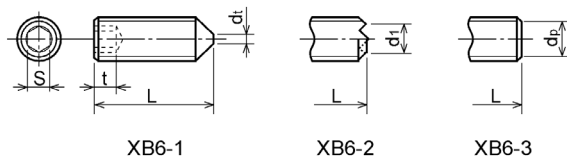
1-7. General Head Tapping Screws
一般用タッピンねじ

Type No. 類別番号	Type 類別	Head size (mm) 頭部寸法 (mm)						
		M2	M2.5	M2.6	M3	M4	M5	
XB4-6	Pan head なべ	dk XB4-6	3.5	4.5	4.5	5.5	7	9
		k XB4-6	1.3	1.7	1.7	2	2.6	3.3
XB4-7	Binding head バインド	dk XB4-7	4.3	5.3	5.5	6.3	8.3	10.3
		k+f XB4-7	1.2	1.5	1.6	1.9	2.5	3.1
XB4-8	Countersunk head さら	dk XB4-8	4	5	5.2	6	8	10
		k XB4-8	1.2	1.45	1.5	1.75	2.3	2.8

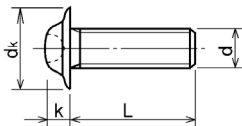
1-8. Tapping Screws for Metallic Materials
金属用タッピンねじ

Type No. 類別番号	Type 類別	Head size (mm) 頭部寸法 (mm)					
		M2.5	M2.6	M3	M4	M5	
XB5-1	Pan head なべ	dk XB5-1	4.5	4.5	5.5	7	9
		k XB5-1	1.7	1.7	2	2.6	3.3
XB5-2	Binding head バインド	dk XB5-2	5.5	5.5	6.3	8.3	10.3
		k+f XB5-2	1.6	1.6	1.9	2.5	3.1
XB5-6	Flanged pan head つば付きなべ	dk XB5-6	6.5	6.5	8	10	12
		k XB5-6	2.1	2.1	1.75	3.2	4

Figure ZZB (7/7) MECHANICAL STANDARD PARTS (SCREWS)

1-9. Hexagon Socket Set Screws
六角穴付き止めねじ

Type No. 類別番号	Type 類別	Head size (mm) 頭部寸法 (mm)						
		M1.6 M1.7	M2	M2.5 M2.6	M3	M5	M5	M6
	S	0.7	0.9	1.3	1.5	2	2.5	3
	t	1.5	1.7	2	2	2.5	3	3.5
	dt max XB6-1	0.4	0.5	0.65	0.75	1	1.25	1.5
	d1 max XB6-2	-	1.2	1.5	1.7	2.2	2.8	3.3
	d1 min XB6-2	-	1	1.2	1.4	1.9	2.4	2.9
	dp max XB6-3	0.8	1	1.5	2	2.5	3.5	4
	dp min XB6-3	0.55	0.75	1.25	1.75	2.25	3.2	3.7

1-10. Flanged Pan Head Machine Screws
つば付きなべ小ねじ

Type No. 類別番号	Type 類別	Head size (mm) 頭部寸法 (mm)				
		M2	M2.5 M2.6	M3	M5	M5
	dk	5	6.5	8	10	12
	k	1.7	2.1	2.5	3.2	4

Figure ZZC MECHANICAL STANDARD PARTS (BOLTS)

2. Bolts (Socket head cap screw)
ボルトHow to read Parts Numbers
部品番号の見方Bolt (Socket head cap screw)
ボルト

XB7-1080-409

Type No.
類別番号

Normal designation (d)
ねじの呼び (d)

Length (L)
ねじの長さ (L)

Material and Surface treatment
材料および表面処理

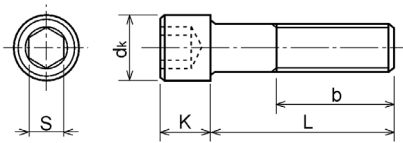
XB7-1 expresses Hexagon socket head cap screws.
XB7-1は、六角穴付きボルトを表す

080 expresses M8.0.
080は、M8.0を表す

40 expresses a length of 40mm.
40は、40mmの長さを表す

9 expresses Steel (Black zinc trivalent chromate
treating) from Table 1.

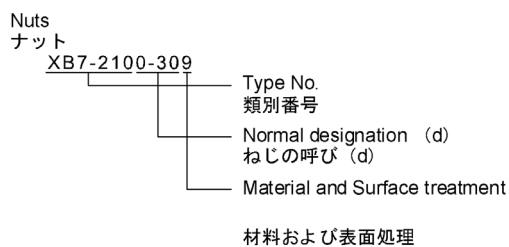
9は、表1より鋼（黒色亜鉛3価クロメート）を表す

2-1. Hexagon socket head cap screws
六角穴付きボルト

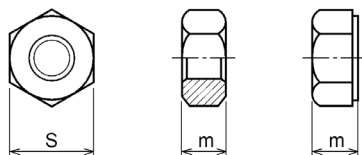
Type No. 類別番号	Type 類別
XB7-1	Hexagon socket head cap screws 六角穴付きボルト

	Head size (mm) 頭部寸法 (mm)						
	M3	M4	M5	M6	M8	M10	M12
S	2.5	3	4	5	6	8	10
dk	5.5	7	8.5	10	13	16	18
K	3	4	5	6	8	10	12
Screw part length ねじ部長さ b_{max}	18	20	22	24	28	32	36

Figure ZZD MECHANICAL STANDARD PARTS (NUTS)

3. Nuts
ナットHow to read Parts Numbers
部品番号の見方XB7-210 expresses Hexagon nut class 1.
XB7-210は、六角ナット1種を表す0-30 expresses M3.0.
0-30は、M3.0を表す9 expresses Steel (Black zinc trivalent chromate
treating) from Table 1.

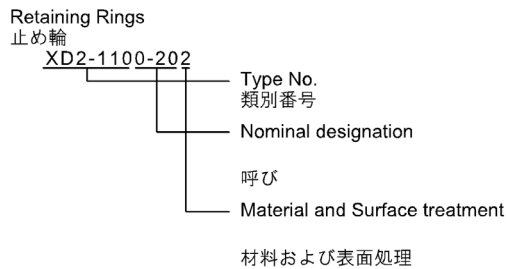
9は、表1より鋼（黒色亜鉛3価クロメート）を表す

3-1. Hexagon Nuts and Hexagon Thin Nuts
六角ナット

Type No. 類別番号	Type 類別
XB7-210	Hexagon nut Class 1 六角ナット-1種
XB7-220	Hexagon nut Class 3 六角ナット-3種
XB7-230	Hexagon nut Style 1 double chamfered 六角ナット-スタイル1-両面とり
XB7-231	Hexagon nut Style 1 washer faced 六角ナット-スタイル1-座付き
XB7-240	Hexagon nut Style 2 double chamfered 六角ナット-スタイル2-両面とり
XB7-241	Hexagon nut Style 2 washer faced 六角ナット-スタイル2-座付き
XB7-250	Hexagon nut 六角ナット
XB7-260	Hexagon thin nut double chamfered 六角低ナット-両面とり
XB7-270	Hexagon thin nut not chamfered 六角低ナット-面とり無し

	Head size (mm) 頭部寸法 (mm)						
	M2	M2.5	M3	M4	M5	M6	M8
S	4	5	5.5	7	8	10	13
m XB7-210	1.6	2	2.4	3.2	4	5	6.5
m XB7-220	1.2	1.6	1.8	2.4	3.2	3.6	5
m XB7-230, 231	1.6	2	2.4	3.2	4.7	5.2	6.8
m XB7-240, 241	-	-	-	-	5.1	5.7	7.5
m XB7-250	-	-	-	-	5.6	6.1	7.9
m XB7-260	1.2	1.6	1.8	2.2	2.7	3.2	4
m XB7-270	1.2	1.6	1.8	2.2	2.7	3.2	4

Figure ZZE (1/3)MECHANICAL STANDARD PARTS (RETAINING RINGS)

5. Retaining Rings
止め輪How to read Parts Numbers
部品番号の見方

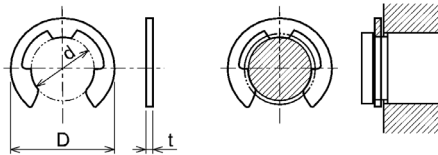
XD2-110 expresses retaining ring-E type (Type1).
XD2-110は、E形止め輪（1種）を表す

0-20 expresses a 020 of nominal designation.
(See Table 5)

0-20は、呼び020を表す（表5参照）

2 expresses Stainless steel (Surface treatment is not to be given) from Table 1.

2は、表1よりステンレス（表面処理なし）を表す

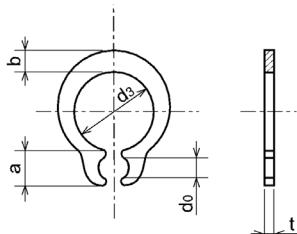
5-1. Retaining Rings - E type
E形止め輪

Type No. 類別番号	Type 類別
XD2-110	Retaining ring - E type (Type 1) E形止め輪（1種）
XD2-120	Retaining ring - E type (Type 2) E形止め輪（2種）

Table 5 表5

Type 種類	Nominal designation 呼び	d (mm)	D (mm)	t (mm)
Type 1 1種	007	0.65	2	0.2
	010	0.95	2.8	0.2
	013	1.25	3.3	0.3
	017	1.65	4.2	0.4
	020	1.95	4.6	0.5
	024	2.35	6	0.6
	028	2.74	6.5	0.6
	032	3.14	7.2	0.6
	037	3.64	8	0.7
	040	3.93	10	0.7
	042	4.13	10	0.7
	050	4.93	11	0.7
	058	5.73	12	0.7
	060	5.93	12.7	0.9
064	6.32	13.5	0.9	
074	7.31	15	0.9	
080	7.91	16.5	1	
Type 2 2種	008	0.8	2	0.2
	012	1.2	3	0.3
	015	1.5	4	0.4
	020	2	5	0.4
	025	2.5	6	0.4
	030	3	7	0.6
	040	4	9	0.6
	050	5	11	0.6
	060	6	12	0.8
	070	7	14	0.8
	080	8	16	0.8
	090	9	18	0.8
100	10	20	1	

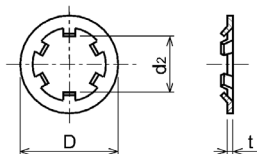
Figure ZZE (2/3)MECHANICAL STANDARD PARTS (RETAINING RINGS)

5-2. Grip Rings
グリップ止め輪

Type No. 類別番号	Type 類別
XD2-210	Grip ring グリップ止め輪

Table 5 表5

Nominal designation 呼び	d ₃ (mm)	t (mm)	b (mm)	a (mm)	d _o (mm)
020	1.9	0.5	1	1.8	0.8
025	2.35	0.5	1.2	1.9	0.9
030	2.85	0.6	1.4	1.9	0.9
035	3.3	0.6	1.6	2	0.9
040	3.8	0.8	1.8	2.8	1.2
045	4.25	0.8	2	2.9	1.3
050	4.75	0.8	2.2	2.9	1.3
060	5.7	1	2.4	3.1	1.4
070	6.7	1	2.7	3.3	1.4
080	7.7	1	3	3.5	1.4
090	8.65	1.2	3.3	4.7	1.5
100	9.65	1.2	3.5	4.7	2

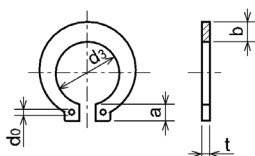
5-3. Toothed Retaining Rings
歯付き形止め輪

Type No. 類別番号	Type 類別
XD2-230	Toothed retaining ring 歯付き形止め輪

Table 5 表5

Nominal designation 呼び	d _z (mm)	D (mm)	t (mm)	No of teeth 歯数
015	1.4	5.2	0.25	3
020	1.9	6	0.25	3
024	2.3	6.4	0.25	3
030	2.8	8	0.25	4
040	3.8	9	0.25	4
050	4.8	10	0.25	5
060	5.8	11	0.25	5
080	7.8	13	0.25	5
100	9.8	15.4	0.25	6

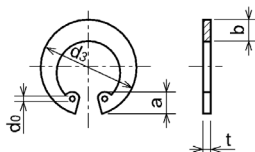
Figure ZZE (3/3) MECHANICAL STANDARD PARTS (RETAINING RINGS)

5-4. Retaining Rings - C Type
C形止め輪

Type No. 類別番号	Type 類別
XD2-310	Retaining ring - C type for shaft C形止め輪 軸用

Table 5 表5

Nominal designation 呼び	d ₃ (mm)	t (mm)	b (mm)	a (mm)	d ₀ (mm)
010	9.3	1	1.6	3	1.2
012	11.1	1	1.8	3.2	1.5
014	12.9	1	2	3.4	1.7
015	13.8	1	2.1	3.5	1.7
016	14.7	1	2.2	3.6	1.7
017	15.7	1	2.2	3.7	1.7
018	16.5	1.2	2.6	3.8	1.7
020	18.5	1.2	2.7	3.9	2
022	20.5	1.2	2.7	4.1	2
025	23.2	1.2	3.1	4.3	2
028	25.9	1.5	3.1	4.6	2
030	27.9	1.5	3.5	4.8	2
032	29.6	1.5	3.5	5	2.5
035	32.2	1.5	4	5.4	2.5



Type No. 類別番号	Type 類別
XD2-320	Retaining ring - C type for hole C形止め輪 穴用

Table 5 表5

Nominal designation 呼び	d ₃ (mm)	t (mm)	b (mm)	a (mm)	d ₀ (mm)
010	10.7	1	1.8	3.1	1.2
011	11.8	1	1.8	3.2	1.2
012	13	1	1.8	3.3	1.5
014	15.1	1	2	3.6	1.7
016	17.3	1	2	3.7	1.7
018	19.5	1	2.5	4	1.7
019	20.5	1	2.5	4	2
020	21.5	1	2.5	4	2
022	23.5	1	2.5	4.1	2
025	26.9	1.2	3	4.4	2
028	30.1	1.2	3	4.6	2
030	32.1	1.2	3	4.7	2
032	34.4	1.2	3.5	5.2	2.5
035	37.8	1.5	3.5	5.2	2.5
037	39.8	1.5	3.5	5.2	2.5
040	43.5	1.8	4	5.7	2.5
042	45.5	1.8	4	5.8	2.5
045	48.5	1.8	4.5	5.9	2.5
047	50.5	1.8	4.5	6.1	2.5
050	54.2	2	4.5	6.5	2.5
052	56.2	2	5.1	6.5	2.5
055	59.2	2	5.1	6.5	2.5
060	64.2	2	5.1	6.8	2.5
062	66.2	2	5.5	6.9	2.5
068	72.5	2.5	6	7.4	2.5
072	76.5	2.5	6.6	7.4	2.5
075	79.5	2.5	6.6	7.8	2.5
080	85.5	2.5	7	8	2.5
085	90.5	3	7	8	3
090	95.5	3	7.6	8.3	3
095	100.5	3	8	8.5	3