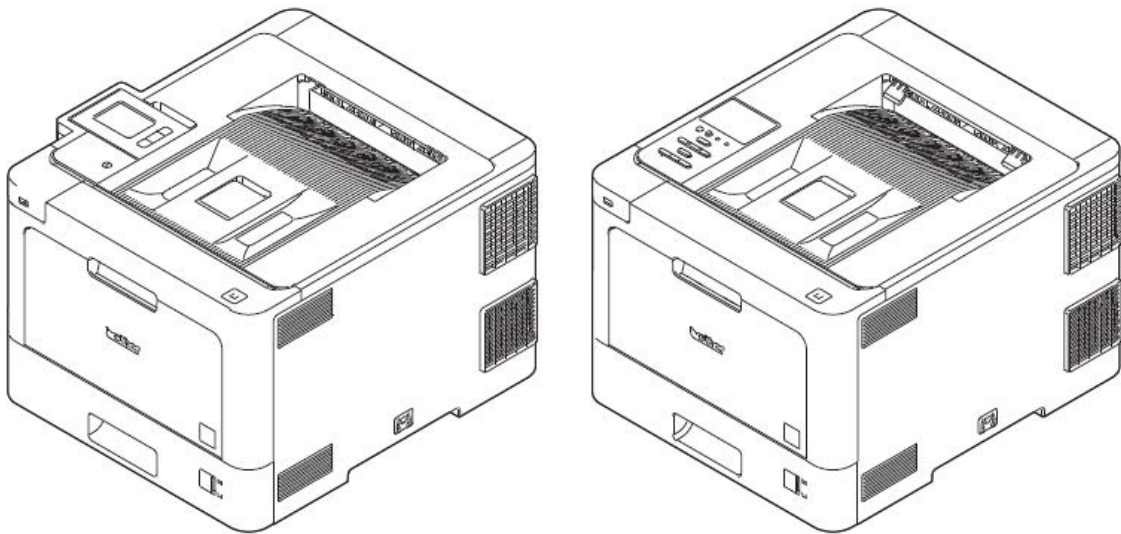




Color Laser Printer **PARTS REFERENCE LIST**

MODEL:

**HL- L8260CDW/ L8260CDN
L8360CDW/L8360CDWT/
L9310CDW**



Read this list thoroughly before maintenance work.

Keep this list in a convenient place for quick and easy reference at all times.

NOTE FOR USING THIS PARTS REFERENCE LIST

1. In the case of ordering parts, it is necessary to mention the following items:

- (1) Code
- (2) Q'ty
- (3) Description

<Example>

	(1)	(2)	(3)			
REFNo.	CODE	Q'TY	DESCRIPTION	MODEL	SPEC	REMARKS

2. Design-changed parts:

If any of the parts code is changed in this Parts List, one of the following symbols is indicated in the REMARKS column.

- CHG (chg): The part code is changed for a new one in this Parts List.
- ADD (add): The part code is newly added in this Parts List.
- DEL (del) : The part code is deleted in this Parts List.

Symbol in capital letters indicates the latest parts change information in the page.

- 3. Parts change will be informed by the Parts change information.
- 4. Parts are subject to change in design without prior notice.

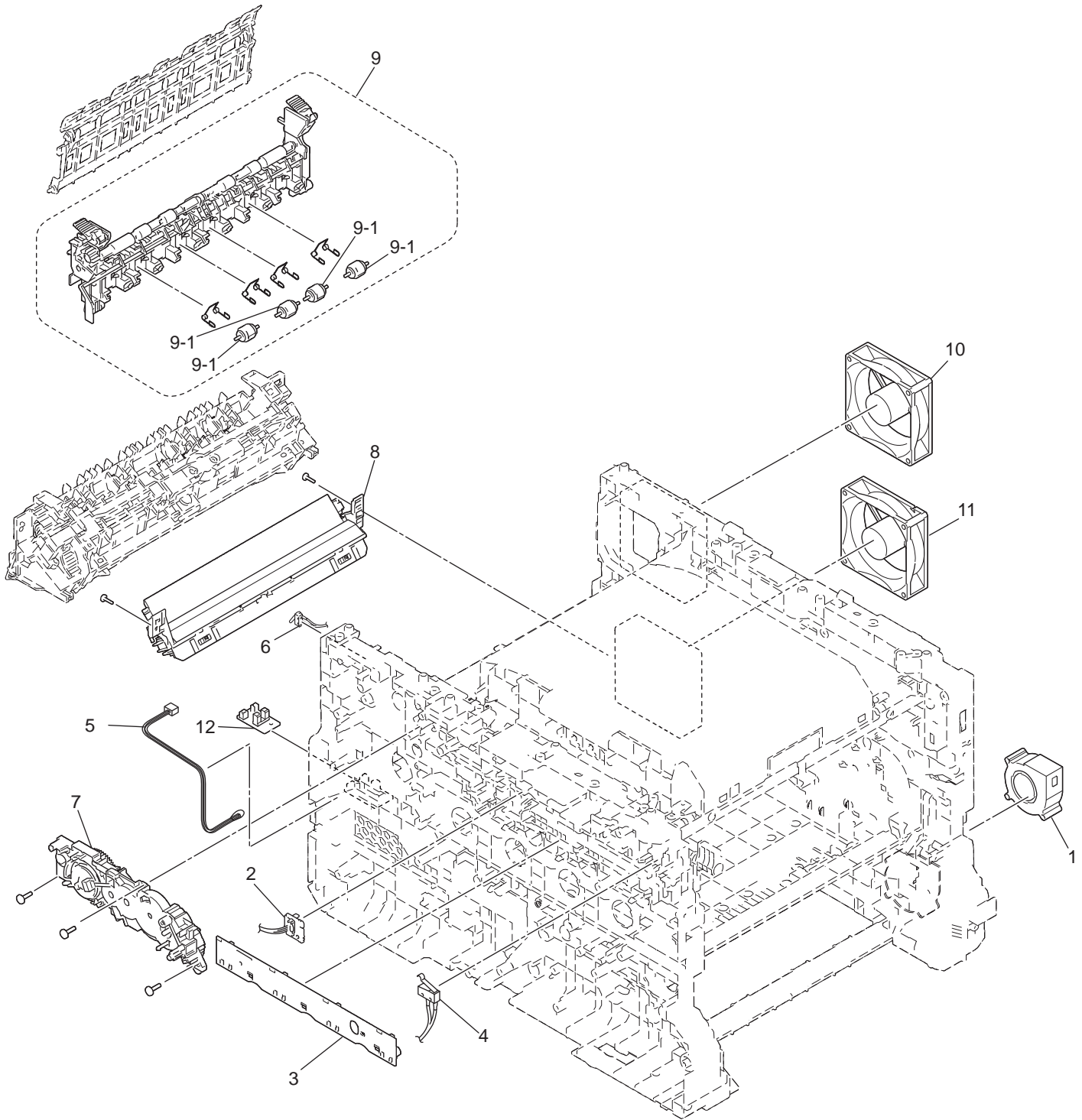
COUNTRIES & AREAS

ARG ----- ARGENTINA	ITA ----- ITALY
ARL ----- AUSTRALIA	KOR ----- KOREA
BRA ----- BRAZIL	NZ ----- NEW ZEALAND
CAN ----- CANADA	PND ----- PAN-NORDIC
CEE ----- CEE GENERAL	(NORWAY/FINLAND/DENMARK/SWEDEN)
CHN ----- CHINA	rgEU ----- EU-REGIONAL
CHL ----- CHILE	RUS ----- RUSSIA
FRA/BEL/HOL -----	SGP ----- SINGAPORE
FRANCE/BELGIUM/NETHERLANDS	SWI ----- SWITZERLAND
GER ----- GERMANY	TWN ----- TAIWAN
GULF ----- GULF	UK ----- UNITED KINGDOM
IBR ----- IBERIA (SPAIN & PORTUGAL)	USA ----- U.S.A.

CONTENTS

1.	<u>FRAME</u>	1
2.	<u>MAIN DRIVE</u>	3
3.	<u>LASER UNIT</u>	5
4.	<u>PAPER FEEDER</u>	7
5.	<u>MP</u>	9
6.	<u>PAPER CASSETTE</u>	11
7.	<u>FUSER UNIT</u>	13
8.	<u>PAPER EJECT</u>	15
9.	<u>COVERS & LABELS</u>	17
10.	<u>PCB</u>	19
11.	<u>ACCESSORIES</u>	21
12.	<u>PACKING MATERIALS</u>	23
13.	<u>LT</u>	25
14.	<u>PERIODICAL MAINTENANCE PARTS</u>	27

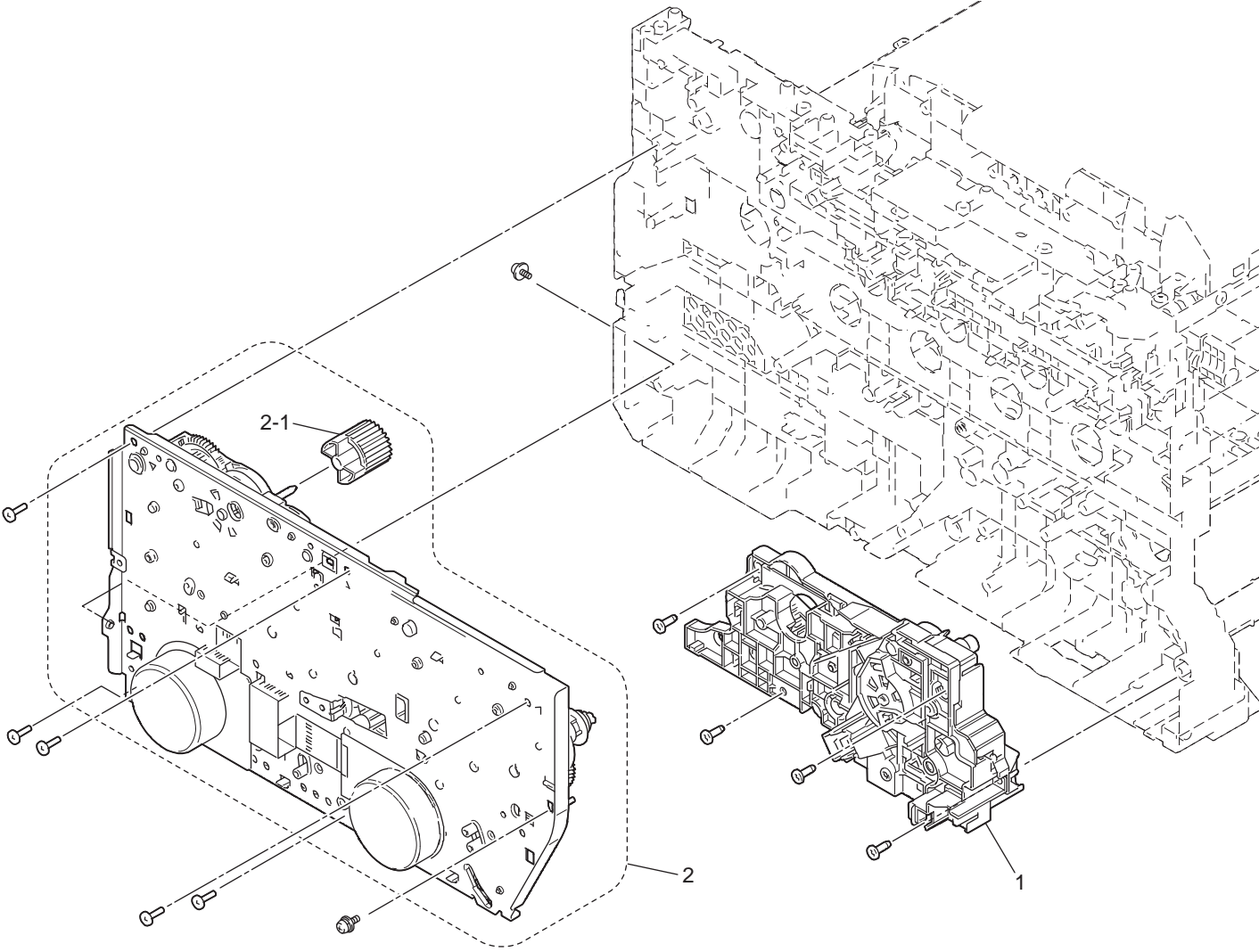
1.FRAME



1. FRAME

REF NO.	CODE	Q'TY	DESCRIPTION	MODEL	SPEC	REMARKS
1	D006V2001	1	BLOWER			
2	D006H1001	1	DEVELOP RELEASE SENSOR PCB ASSY			
3	D006F6001	1	TONER/NEW SENSOR PCB ASSY			
4	D006H5001	1	FRONT COVER SENSOR			
5	D00A7S001	1	INTERNAL TEMPARATURE SENSOR			
6	D006H6001	1	BACK COVER SENSOR ASSY			
7	D006FA001	1	DEVELOP RELEASE DRIVE UNIT			
8	LY7726001	1	REGISTRATION MARK SENSOR UNIT			
9	LY7727002	1	FUSER COVER ASSY			
9-1	LY0634001	4	CLEANER PINCH ROLLER S ASSY			
10	D006FX001	1	FUSER FAN			
11	D006FY001	1	POWER FAN			
12	LV1412001	1	EJECT SENSOR PCB ASSY	HL-L8260CDN		
12	LV1201001	1	EJECT SENSOR PCB ASSY	HL-L8260CDW	FOR USA	
12	LV1412001	1	EJECT SENSOR PCB ASSY	HL-L8260CDW	FOR GER/UK/SWI/ITA/IBR/RUS/ FRA/BEL/HOL/ARL/NZ/PND/CEE	
12	LV1201001	1	EJECT SENSOR PCB ASSY	HL-L8360CDW	FOR USA/CAN/TWN/BRA	
12	LV1412001	1	EJECT SENSOR PCB ASSY	HL-L8360CDW	FOR GER/UK/ARL/SWI/ARG/CHL/ GULF/SGP/KOR/PND/rgeU	
12	LV1201001	1	EJECT SENSOR PCB ASSY	HL-L8360CDWT		
12	LV1201001	1	EJECT SENSOR PCB ASSY	HL-L9310CDW	FOR USA/CAN	
12	LV1412001	1	EJECT SENSOR PCB ASSY	HL-L9310CDW	FOR GER/UK/SWI/CHN/RUS/ARL/ NZ/PND/rgeU	

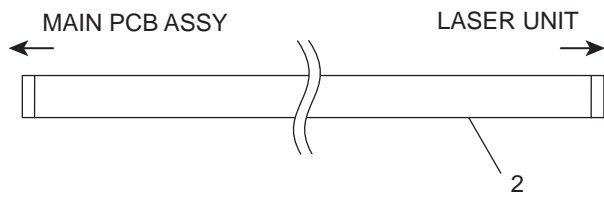
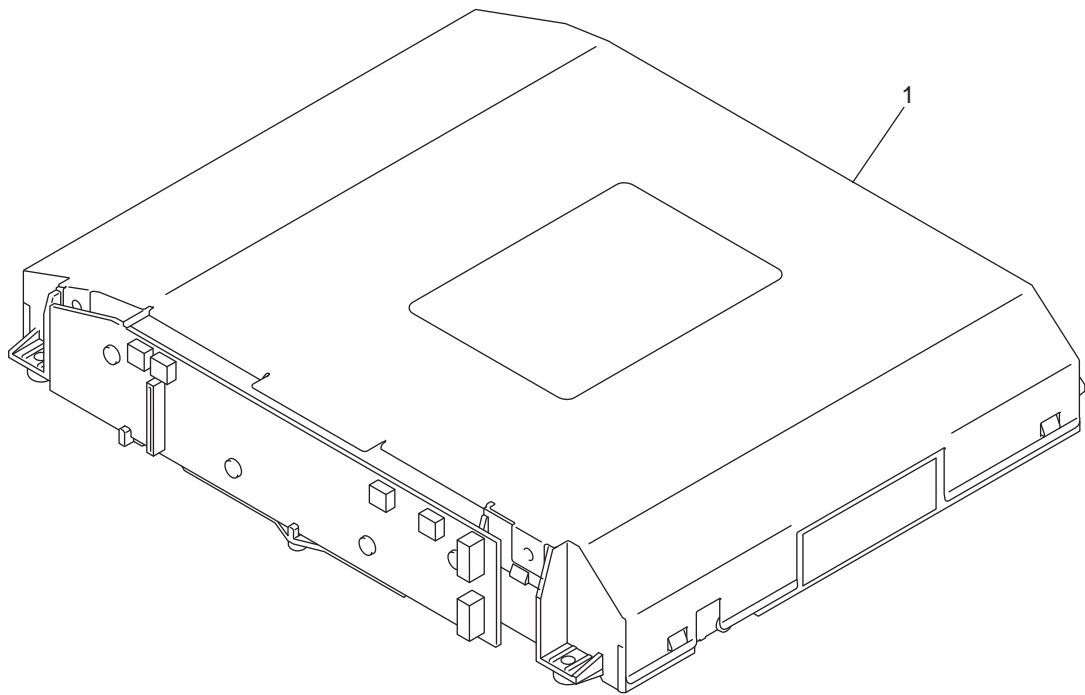
2.MAIN DRIVE



2. MAIN DRIVE

REF NO.	CODE	Q'TY	DESCRIPTION	MODEL	SPEC	REMARKS
1	D0067E001	1	PAPER FEED DRIVE UNIT			
2	D00H8V001	1	PROCESS DRIVE UNIT (SP)			
2-1	LY0233001	1	FUSER DRIVE GEAR Z25			

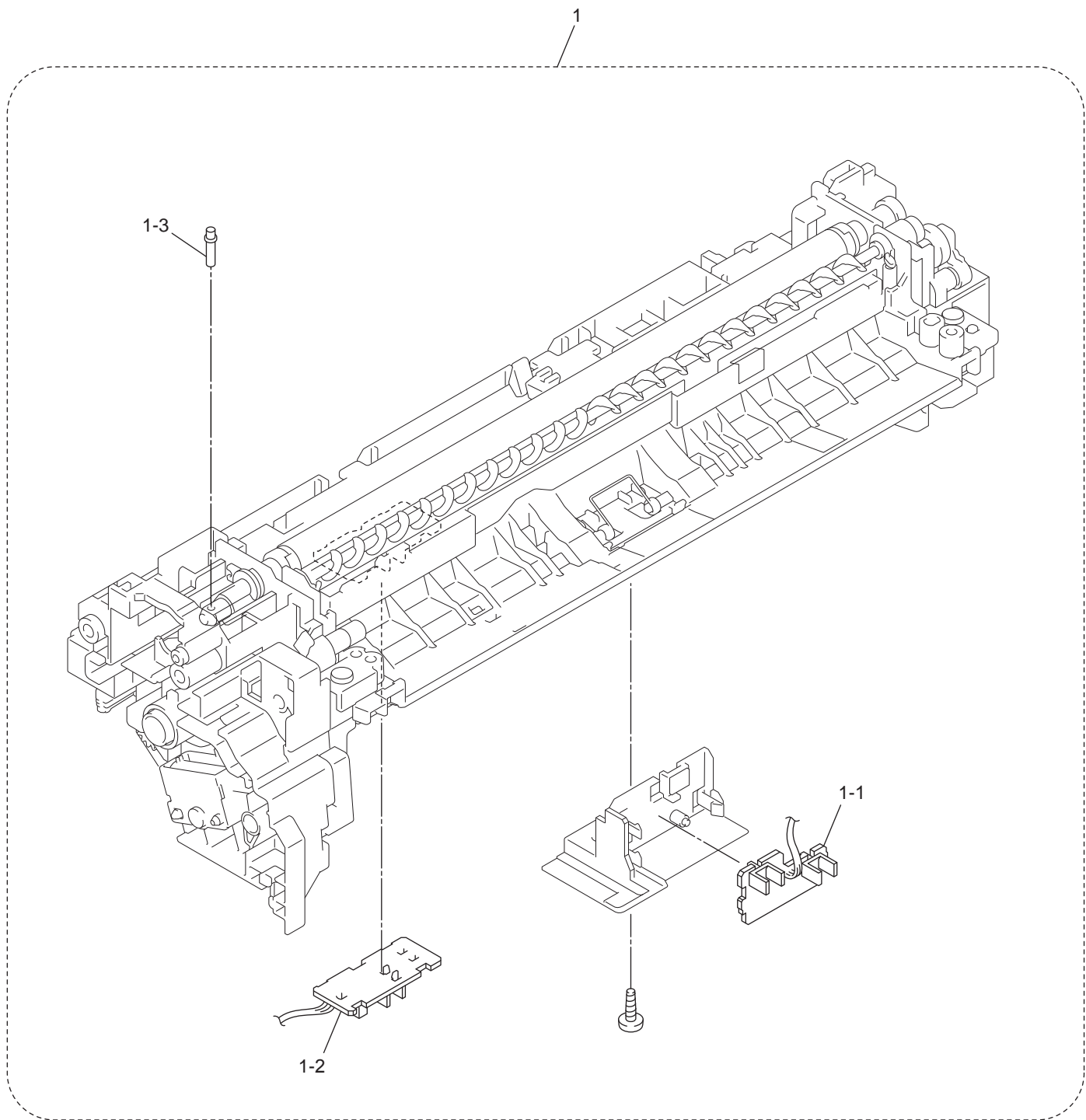
3.LASER UNIT



3. LASER UNIT

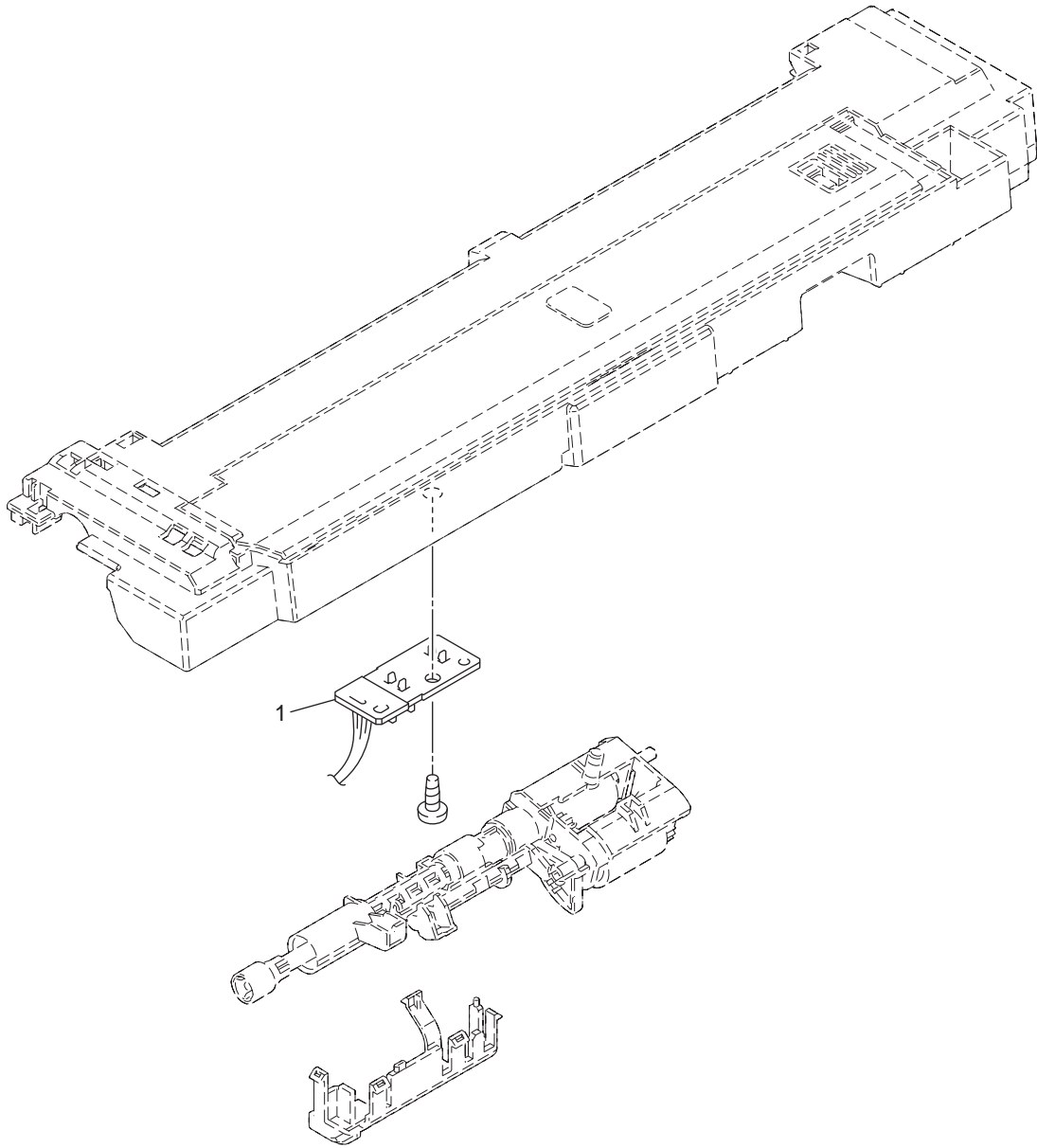
REF NO.	CODE	Q'TY	DESCRIPTION	MODEL	SPEC	REMARKS
1	D00TGP001	1	LASER UNIT (SP)	HL-L8260CDN	FOR CHN	
1	D009ML001	1	LASER UNIT (SP)	HL-L8260CDN	FOR SGP	
1	D009ML001	1	LASER UNIT (SP)	HL-L8260CDW		
1	D009ML001	1	LASER UNIT (SP)	HL-L8360CDW		
1	D009ML001	1	LASER UNIT (SP)	HL-L8360CDWT		
1	D009ML001	1	LASER UNIT (SP)	HL-L9310CDW	FOR USA/CAN/GER/UK/SWI/RUS/ ARL/NZ/PND/rgeU	
1	D00TGP001	1	LASER UNIT (SP)	HL-L9310CDW	FOR CHN	
2	LV1174001	1	LASER UNIT FLAT CABLE			

4.PAPER FEEDER



4. PAPER FEEDER

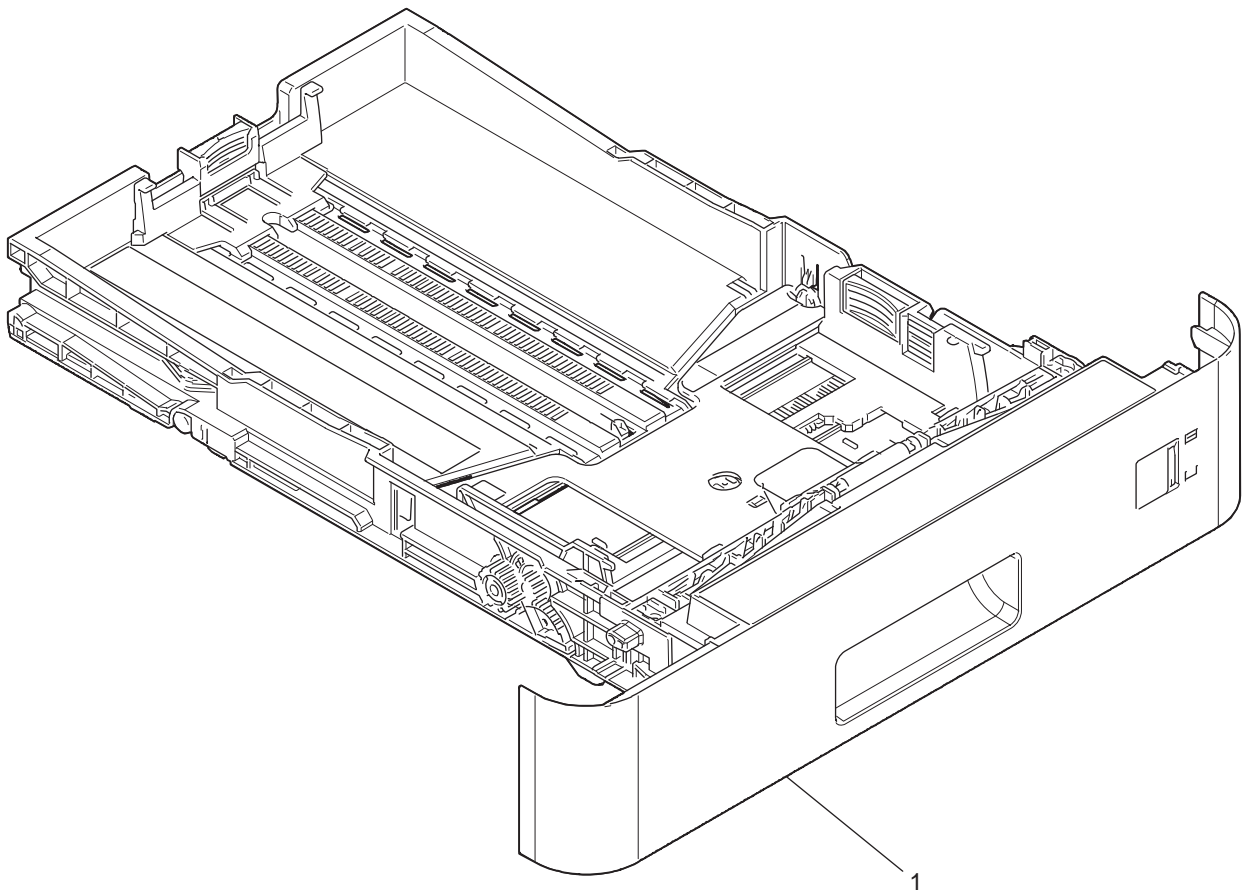
REF NO.	CODE	Q'TY	DESCRIPTION	MODEL	SPEC	REMARKS
1	D00H8D001	1	PAPER FEED UNIT (SP)	HL-L8260CDN		
1	D00H8D001	1	PAPER FEED UNIT (SP)	HL-L8260CDW		
1	D00H8H001	1	PAPER FEED UNIT (SP)	HL-L8360CDW		
1	D00H8H001	1	PAPER FEED UNIT (SP)	HL-L8360CDWT		
1	D00H8H001	1	PAPER FEED UNIT (SP)	HL-L9310CDW		
1-1	D0077S001	1	REGISTRATION FRONT/REARSENSOR PCB ASSY			
1-2	D0077T001	1	T1 PAPER FEED SENSOR PCB ASSY	HL-L8260CDN		
1-2	D0077T001	1	T1 PAPER FEED SENSOR PCB ASSY	HL-L8260CDW		
1-2	D0077U001	1	T1 PAPER EMPTY/PAPER FEED SENSOR PCB ASSY	HL-L8360CDW		
1-2	D0077U001	1	T1 PAPER EMPTY/PAPER FEED SENSOR PCB ASSY	HL-L8360CDWT		
1-2	D0077U001	1	T1 PAPER EMPTY/PAPER FEED SENSOR PCB ASSY	HL-L9310CDW		
1-3	LY7136001	1	JOINT PIN			



5. MP

REF NO.	CODE	Q'TY	DESCRIPTION	MODEL	SPEC	REMARKS
1	D0077V001	1	MP PAPER EMPTY/ REGISTRATIONFRONT SENSOR PCB ASSY			

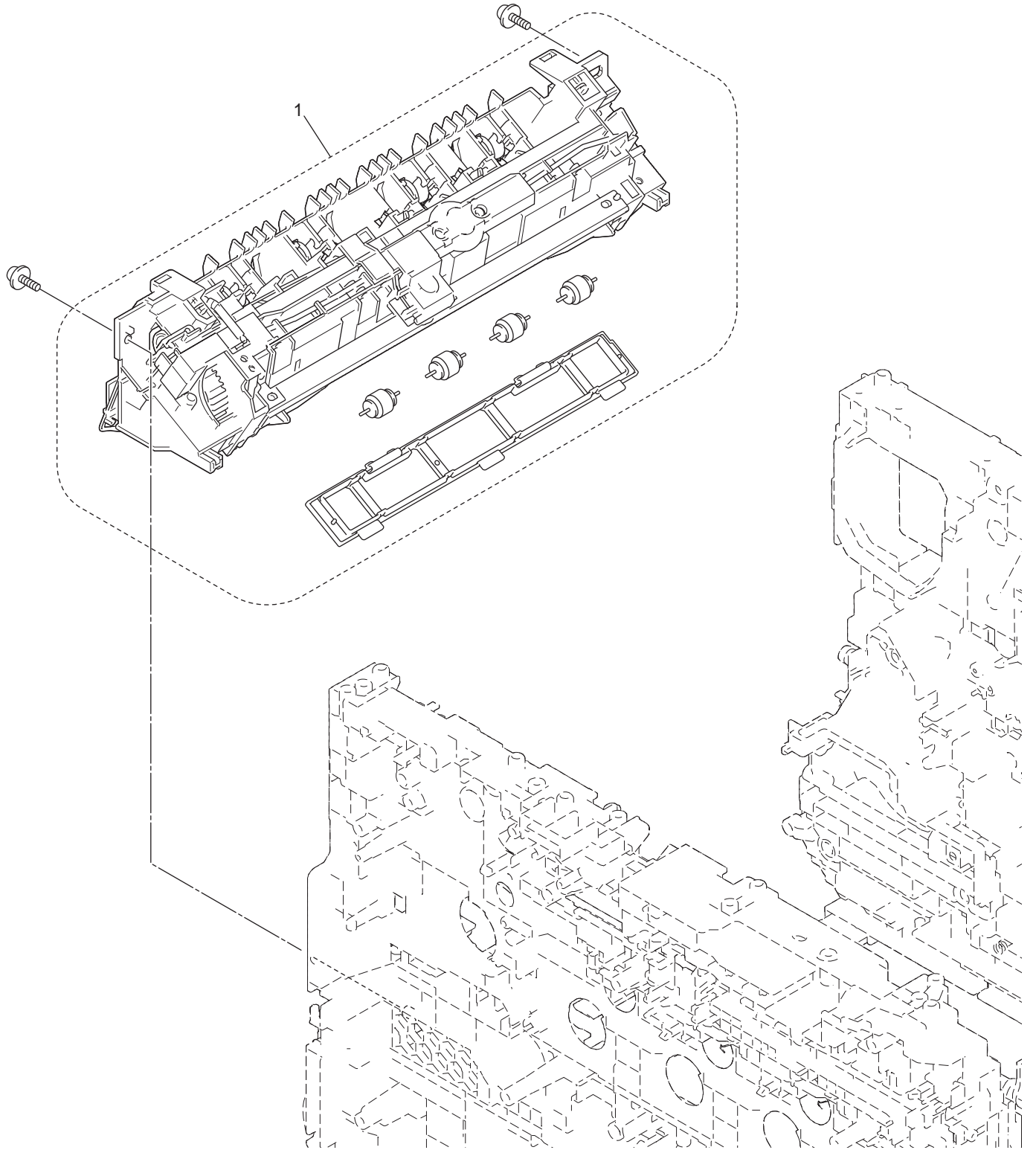
6.PAPER CASSETTE



6. PAPER CASSETTE

REF NO.	CODE	Q'TY	DESCRIPTION	MODEL	SPEC	REMARKS
1	D006GX001	1	PAPER TRAY			

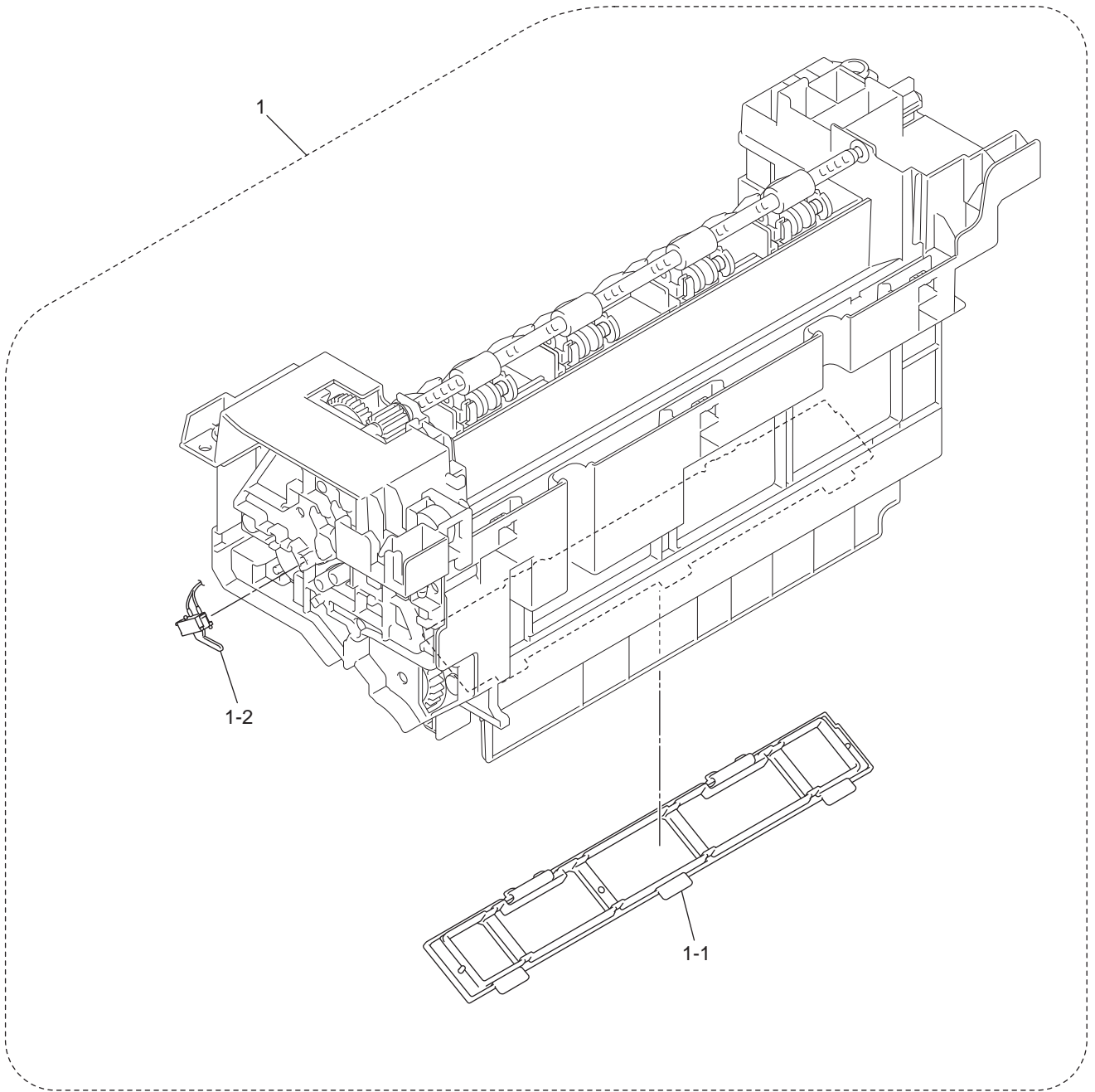
7.FUSER UNIT



7. FUSER UNIT

REF NO.	CODE	Q'TY	DESCRIPTION	MODEL	SPEC	REMARKS
1	D00C55001	1	FUSER UNIT 230V(SP)	HL-L8260CDN		
1	D00C54001	1	FUSER UNIT 115V(SP)	HL-L8260CDW	FOR USA	
1	D00C55001	1	FUSER UNIT 230V(SP)	HL-L8260CDW	FOR GER/UK/SWI/ITA/IBR/RUS/ FRA/BEL/HOL/ARL/NZ/PND/CEE	
1	D00C54001	1	FUSER UNIT 115V(SP)	HL-L8360CDW	FOR USA/CAN/TWN	
1	D00C55001	1	FUSER UNIT 230V(SP)	HL-L8360CDW	FOR GER/UK/ARL/SWI/ARG/CHL/ GULF/SGP/KOR/PND/rgeU	
1	D00EBS001	1	FUSER UNIT 127V(SP)	HL-L8360CDW	FOR BRA	
1	D00C54001	1	FUSER UNIT 115V(SP)	HL-L8360CDWT		
1	D00C54001	1	FUSER UNIT 115V(SP)	HL-L9310CDW	FOR USA/CAN	
1	D00C55001	1	FUSER UNIT 230V(SP)	HL-L9310CDW	FOR GER/UK/SWI/CHN/RUS/ARL/ NZ/PND/rgeU	

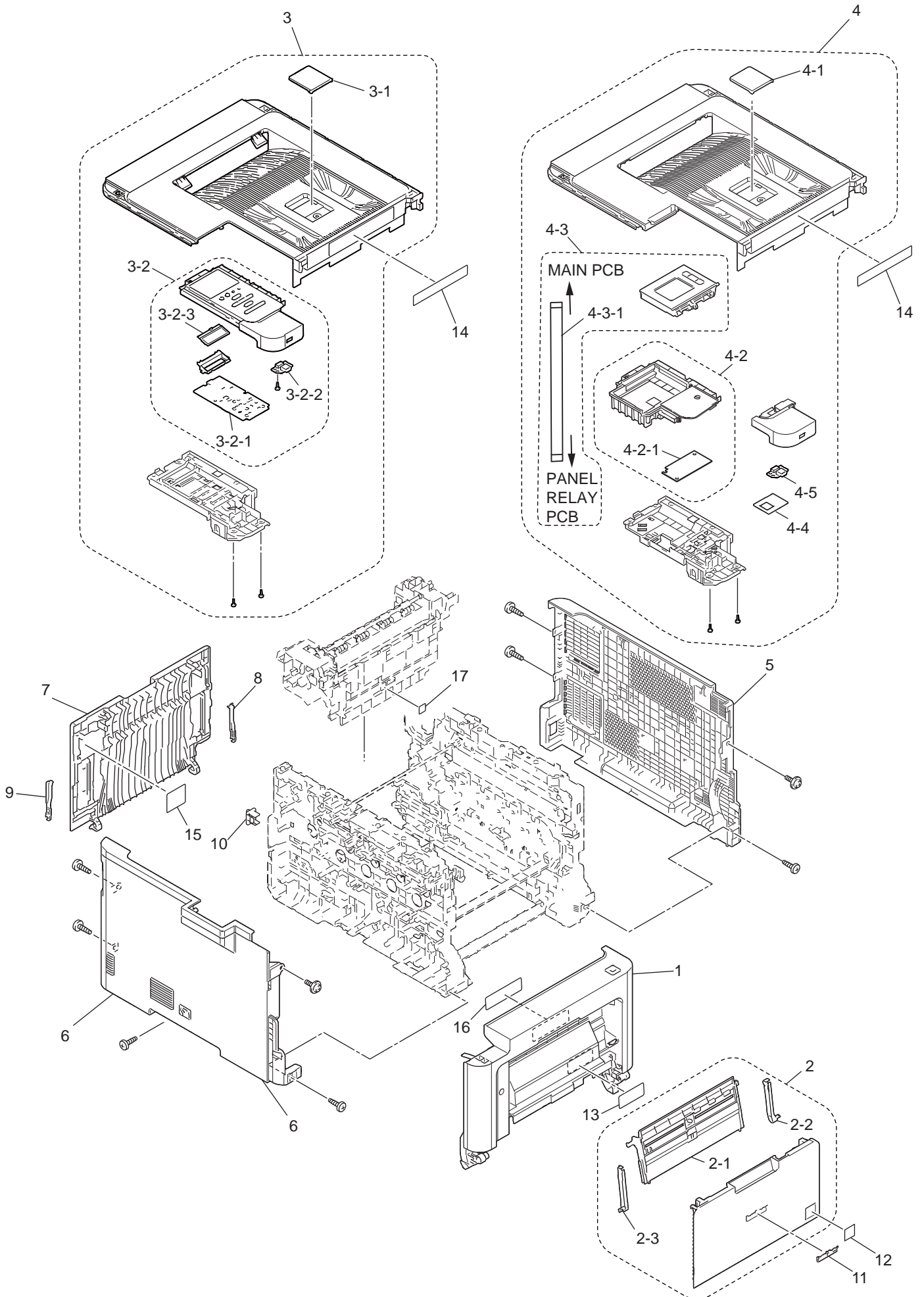
8.PAPER EJECT



8. PAPER EJECT

REF NO.	CODE	Q'TY	DESCRIPTION	MODEL	SPEC	REMARKS
1	D00GN3001	1	PAPER EJECT ASSY (SP)	HL-L8260CDN		
1	D00GN3001	1	PAPER EJECT ASSY (SP)	HL-L8260CDW		
1	D00GN4001	1	PAPER EJECT ASSY (SP)	HL-L8360CDW		
1	D00GN4001	1	PAPER EJECT ASSY (SP)	HL-L8360CDWT		
1	D00GN4002	1	PAPER EJECT ASSY (SP)	HL-L9310CDW		
1-1	LY7841001	1	TONER FILTER ASSY			
1-2	D006A3001	1	PAPER EJECT ORIGIN SENSOR	HL-L8360CDW		
1-2	D006A3001	1	PAPER EJECT ORIGIN SENSOR	HL-L8360CDWT		
1-2	D006A3001	1	PAPER EJECT ORIGIN SENSOR	HL-L9310CDW		

9. COVER & LABELS

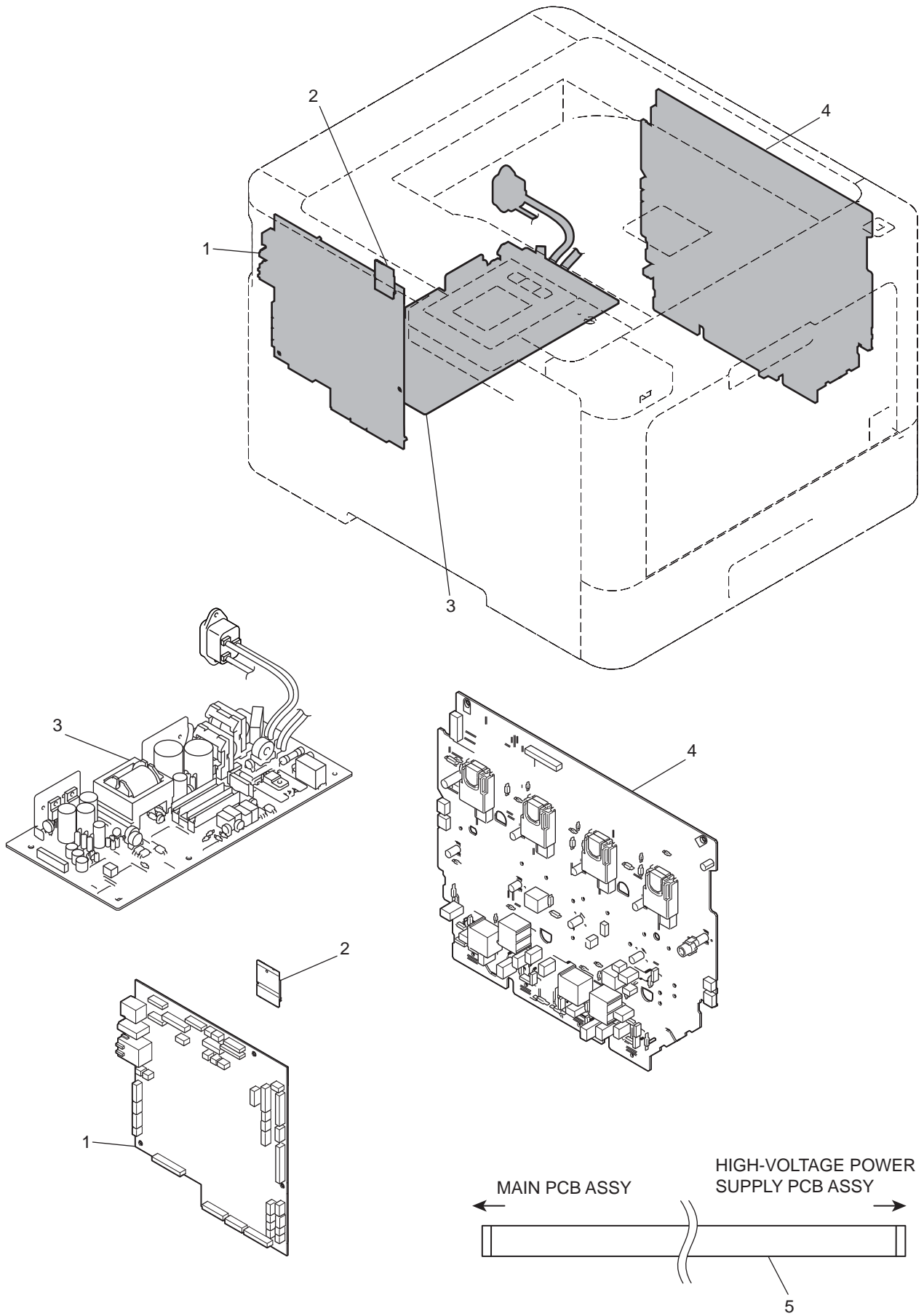


9. COVERS & LABELS

REF NO.	CODE	Q'TY	DESCRIPTION	MODEL	SPEC	REMARKS
1	D006JZ001	1	FRONT COVER			
2	D006KD001	1	MP COVER ASSY			
2-1	D006KP001	1	MP PAPER GUIDE ASSY			
2-2	D006KV001	1	MP LINK R			
2-3	D006KW001	1	MP LINK L			
3	D00GL3001	1	TOP COVER ASSY (SP)	HL-L8260CDN		
3	D00GL6001	1	TOP COVER ASSY (SP)	HL-L8260CDW		
3-1	D006L0001	1	PAPER STOPPER	HL-L8260CDN		
3-1	D006L0001	1	PAPER STOPPER	HL-L8260CDW		
3-2	D00D29001	1	PANEL COVER ASSY	HL-L8260CDN		
3-2	D006L1001	1	PANEL COVER ASSY	HL-L8260CDW		
3-2-1	D006LC001	1	PANEL PCB	HL-L8260CDN		
3-2-1	D006LC001	1	PANEL PCB	HL-L8260CDW		
3-2-2	D006LH001	1	USB HOST PCB ASSY	HL-L8260CDN		
3-2-2	D006LH001	1	USB HOST PCB ASSY	HL-L8260CDW		
3-2-3	A62009001	1	LCD	HL-L8260CDN		
3-2-3	A62009001	1	LCD	HL-L8260CDW		
4	D00GLY001	1	TOP COVER ASSY (SP)	HL-L8360CDW		
4	D00GLY001	1	TOP COVER ASSY (SP)	HL-L8360CDWT		
4	D00GLZ001	1	TOP COVER ASSY (SP)	HL-L9310CDW		
4-1	D006L0001	1	PAPER STOPPER	HL-L8360CDW		
4-1	D006L0001	1	PAPER STOPPER	HL-L8360CDWT		
4-1	D006L0002	1	PAPER STOPPER	HL-L9310CDW		
4-2	D006MR001	1	PANEL CASE ASSY	HL-L8360CDW		
4-2	D006MR001	1	PANEL CASE ASSY	HL-L8360CDWT		
4-2	D006MR002	1	PANEL CASE ASSY	HL-L9310CDW		
4-2-1	D006MT001	1	PANEL RELAY PCB	HL-L8360CDW		
4-2-1	D006MT001	1	PANEL RELAY PCB	HL-L8360CDWT		
4-2-1	D006MT001	1	PANEL RELAY PCB	HL-L9310CDW		
4-3	D006N7001	1	LCD PANEL ASSY	HL-L8360CDW		
4-3	D006N7001	1	LCD PANEL ASSY	HL-L8360CDWT		
4-3	D00C79001	1	LCD PANEL ASSY	HL-L9310CDW		
4-3-1	D006NL001	1	PANEL RELAY FLAT CABLE	HL-L8360CDW		
4-3-1	D006NL001	1	PANEL RELAY FLAT CABLE	HL-L8360CDWT		
4-3-1	D006NL001	1	PANEL RELAY FLAT CABLE	HL-L9310CDW		
4-4	D0000T001	1	NFC PCB ASSY	HL-L8360CDW		
4-4	D0000T001	1	NFC PCB ASSY	HL-L8360CDWT		
4-4	D0000T001	1	NFC PCB ASSY	HL-L9310CDW		
4-5	D006LH001	1	USB HOST PCB ASSY	HL-L8360CDW		
4-5	D006LH001	1	USB HOST PCB ASSY	HL-L8360CDWT		
4-5	D006LH001	1	USB HOST PCB ASSY	HL-L9310CDW		
5	D006LP001	1	SIDE COVER R			
6	D006LV001	1	SIDE COVER L ASSY	HL-L8260CDN		
6	D006LV001	1	SIDE COVER L ASSY	HL-L8260CDW		
6	D0087C001	1	SIDE COVER L ASSY	HL-L8360CDW		
6	D0087C001	1	SIDE COVER L ASSY	HL-L8360CDWT		
6	D006WA001	1	SIDE COVER L ASSY	HL-L9310CDW		
7	D006LY001	1	BACK COVER			
8	LY0451001	1	BACK COVER STOPPER ARM R			
9	LY0450001	1	BACK COVER STOPPER ARM L			
10	LY0872001	1	LAN PORT CAP			
11	LY4852007	1	EMBLEM BROTHER SHEET			
12	D009Y1001	1	COLOR LASER LABEL			
13	D00A61001	1	MP SET INSTRUCTION LABEL			
14	D00LS4001	1	LABEL DR OPERATION PRT 2			
15	D00RZH001	1	LABEL H/SP CAUTION R 49X45 CHN	HL-L8260CDN	FOR CHN	
15	D007A0001	1	LABEL H/SP CAUTION REAR 49X45	HL-L8260CDN	FOR SGP	
15	D007A0001	1	LABEL H/SP CAUTION REAR 49X45	HL-L8260CDW		
15	D007A0001	1	LABEL H/SP CAUTION REAR 49X45	HL-L8360CDW		
15	D007A0001	1	LABEL H/SP CAUTION REAR 49X45	HL-L8360CDWT		
15	D007A0001	1	LABEL H/SP CAUTION REAR 49X45	HL-L9310CDW	FOR USA/CAN/GER/UK/SWI/RUS/ ARL/NZ/PND/rgeU	
15	D00RZH001	1	LABEL H/SP CAUTION R 49X45 CHN	HL-L9310CDW	FOR CHN	
16	D00EV6001	1	LABEL H/SP CAUTION F 135 CHN	HL-L8260CDN	FOR CHN	
16	D00EV4001	1	LABEL H/SP CAUTION F 135 ASA	HL-L8260CDN	FOR SGP	
16	D007A3001	1	LABEL H/SP CAUTION F 135 US	HL-L8260CDW	FOR USA	
16	D00EH5001	1	LABEL H/SP CAUTION F 135 EU1	HL-L8260CDW	FOR GER/UK/SWI/ITA/IBR/RUS/ FRA/BEL/HOL/PND/CEE	

9. COVERS & LABELS

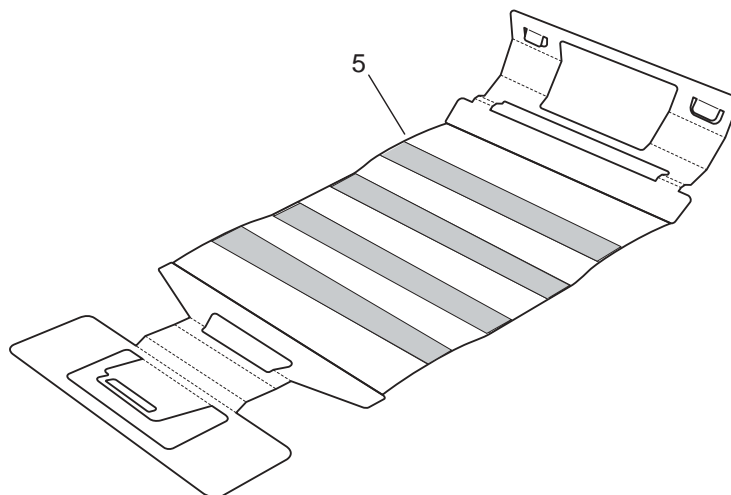
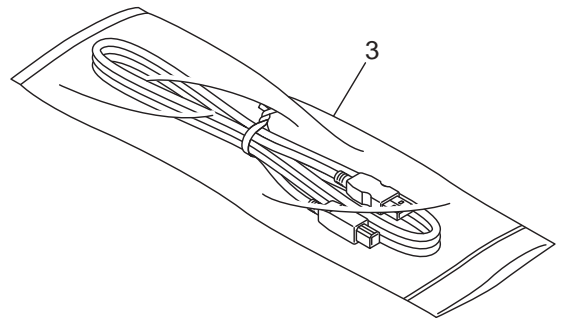
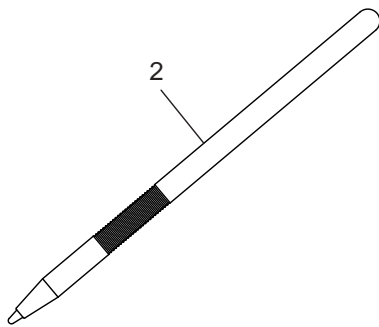
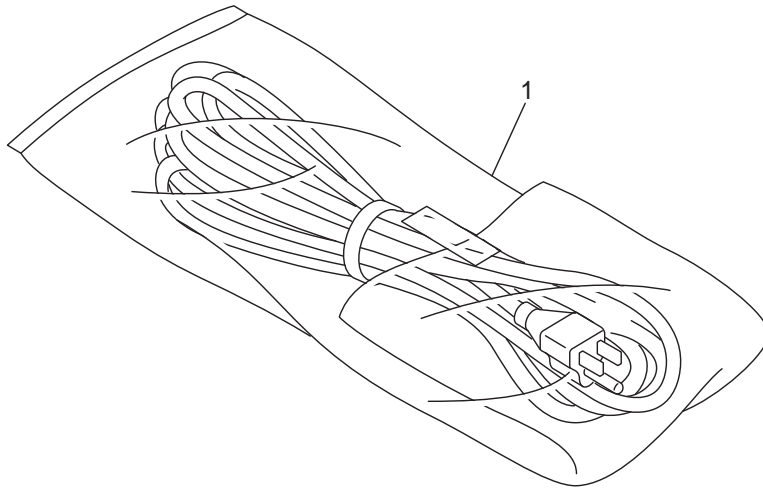
REF NO.	CODE	Q'TY	DESCRIPTION	MODEL	SPEC	REMARKS
16	D00EV1001	1	LABEL H/SP CAUTION F 135 OCE1	HL-L8260CDW	FOR ARL/NZ	
16	D00E9X001	1	LABEL H/SP CAUTION F 135 US2	HL-L8360CDW	FOR USA/CAN	
16	D00ELS001	1	LABEL H/SP CAUTION F 135 EU2	HL-L8360CDW	FOR GER/UK/SWI/PND/rgeU	
16	D00EV2001	1	LABEL H/SP CAUTION F 135 OCE2	HL-L8360CDW	FOR ARL	
16	D00EV4001	1	LABEL H/SP CAUTION F 135 ASA	HL-L8360CDW	FOR TWN/SGP/KOR	
16	D00EV9001	1	LABEL H/SP CAUTION F 135 LTN	HL-L8360CDW	FOR ARG/CHL/BRZ	
16	D00EV5001	1	LABEL H/SP CAUTION F 135 GULF	HL-L8360CDW	FOR GULF	
16	D00E9X001	1	LABEL H/SP CAUTION F 135 US2	HL-L8360CDWT		
16	D00EBK001	1	LABEL H/SP CAUTION F 135 US3	HL-L9310CDW	FOR USA/CAN	
16	D00ENC001	1	LABEL H/SP CAUTION F 135 EU3	HL-L9310CDW	FOR GER/UK/SWI/RUS/PND/rgeU	
16	D00EV6001	1	LABEL H/SP CAUTION F 135 CHN	HL-L9310CDW	FOR CHN	
16	D00EV3001	1	LABEL H/SP CAUTION F 135 OCE3	HL-L9310CDW	FOR ARL/NZ	
17	D00RZJ001	1	LABEL HIGH TEMP 13.9X108 CHN	HL-L8260CDN	FOR CHN	
17	D00CBH001	1	LABEL HIGH TEMP 13.9X108	HL-L8260CDN	FOR SGP	
17	D00CBH001	1	LABEL HIGH TEMP 13.9X108	HL-L8260CDW		
17	D00CBH001	1	LABEL HIGH TEMP 13.9X108	HL-L8360CDW		
17	D00CBH001	1	LABEL HIGH TEMP 13.9X108	HL-L8360CDWT		
17	D00CBH001	1	LABEL HIGH TEMP 13.9X108	HL-L9310CDW	FOR USA/CAN/GER/UK/SWI/RUS/ ARL/NZ/PND/rgeU	
17	D00RZJ001	1	LABEL HIGH TEMP 13.9X108 CHN	HL-L9310CDW	FOR CHN	



10. PCB

REF No.	CODE	Q'TY	DESCRIPTION	MODEL	SPEC	REMARKS
1	D00HDN005	1	MAIN PCB ASSY	HL-L8260CDN		
1	D00HDN001	1	MAIN PCB ASSY	HL-L8260CDW		
1	D00HDP001	1	MAIN PCB ASSY	HL-L8360CDW	FOR USA/CAN/GER/UK/ARL/SWI/ PND/rgeU	
1	D00HDP005	1	MAIN PCB ASSY	HL-L8360CDW	FOR TWN/ARG/CHL/GULF/BRZ/ SGP/KOR	
1	D00HDP001	1	MAIN PCB ASSY	HL-L8360CDWT		
1	D00HDR001	1	MAIN PCB ASSY	HL-L9310CDW	FOR USA/CAN/GER/UK/SWI/RUS/ ARL/NZ/PND/rgeU	
1	D00HDR005	1	MAIN PCB ASSY	HL-L9310CDW	FOR CHN	
2	LD1969001	1	WIRELESS LAN PCB ASSY	HL-L8260CDW		
2	LD1969001	1	WIRELESS LAN PCB ASSY	HL-L8360CDW		
2	LD1969001	1	WIRELESS LAN PCB ASSY	HL-L8360CDWT		
2	LD1969001	1	WIRELESS LAN PCB ASSY	HL-L9310CDW		
3	D00ATS001	1	LOW-VOLTAGE POWERSUPPLY PCB ASSY	HL-L8260CDN	FOR CHN	
3	D0094D001	1	LOW-VOLTAGE POWERSUPPLY PCB ASSY	HL-L8260CDN	FOR SGP	
3	D006CJ001	1	LOW-VOLTAGE POWERSUPPLY PCB ASSY	HL-L8260CDW	FOR USA	
3	D0094D001	1	LOW-VOLTAGE POWERSUPPLY PCB ASSY	HL-L8260CDW	FOR GER/UK/SWI/ITA/IBR/FRA/ BEL/HOL/ARL/NZ/PND/CEE	
3	D00ATS001	1	LOW-VOLTAGE POWERSUPPLY PCB ASSY	HL-L8260CDW	FOR RUS	
3	D006CJ001	1	LOW-VOLTAGE POWERSUPPLY PCB ASSY	HL-L8360CDW	FOR USA/CAN/TWN	
3	D0094D001	1	LOW-VOLTAGE POWERSUPPLY PCB ASSY	HL-L8360CDW	FOR GER/UK/ARL/SWI/ARG/CHL/ GULF/SGP/KOR/PND/rgeU	
3	D00CK7001	1	LOW-VOLTAGE POWERSUPPLY PCB ASSY	HL-L8360CDW	FOR BRZ	
3	D006CJ001	1	LOW-VOLTAGE POWERSUPPLY PCB ASSY	HL-L8360CDWT		
3	D006CJ001	1	LOW-VOLTAGE POWERSUPPLY PCB ASSY	HL-L9310CDW	FOR USA/CAN	
3	D0094D001	1	LOW-VOLTAGE POWERSUPPLY PCB ASSY	HL-L9310CDW	FOR GER/UK/SWI/ARL/NZ/PND/ rgeU	
3	D00ATS001	1	LOW-VOLTAGE POWERSUPPLY PCB ASSY	HL-L9310CDW	FOR CHN/RUS	
4	D006PM001	1	HIGH-VOLTAGE POWERSUPPLY PCB ASSY	HL-L8260CDN	FOR SGP	
4	D00TV1001	1	HIGH-VOLTAGE POWERSUPPLY PCB ASSY	HL-L8260CDN	FOR CHN	
4	D006PM001	1	HIGH-VOLTAGE POWERSUPPLY PCB ASSY	HL-L8260CDW		
4	D006PM001	1	HIGH-VOLTAGE POWERSUPPLY PCB ASSY	HL-L8360CDW		
4	D006PM001	1	HIGH-VOLTAGE POWERSUPPLY PCB ASSY	HL-L8360CDWT		
4	D006PM001	1	HIGH-VOLTAGE POWERSUPPLY PCB ASSY	HL-L9310CDW	FOR USA/CAN/GER/UK/SWI/RUS/ ARL/NZ/PND/rgeU	
4	D00TV1001	1	HIGH-VOLTAGE POWERSUPPLY PCB ASSY	HL-L9310CDW	FOR CHN	
5	D006H8001	1	HIGH-VOLTAGE POWERSUPPLY FLAT CABLE			

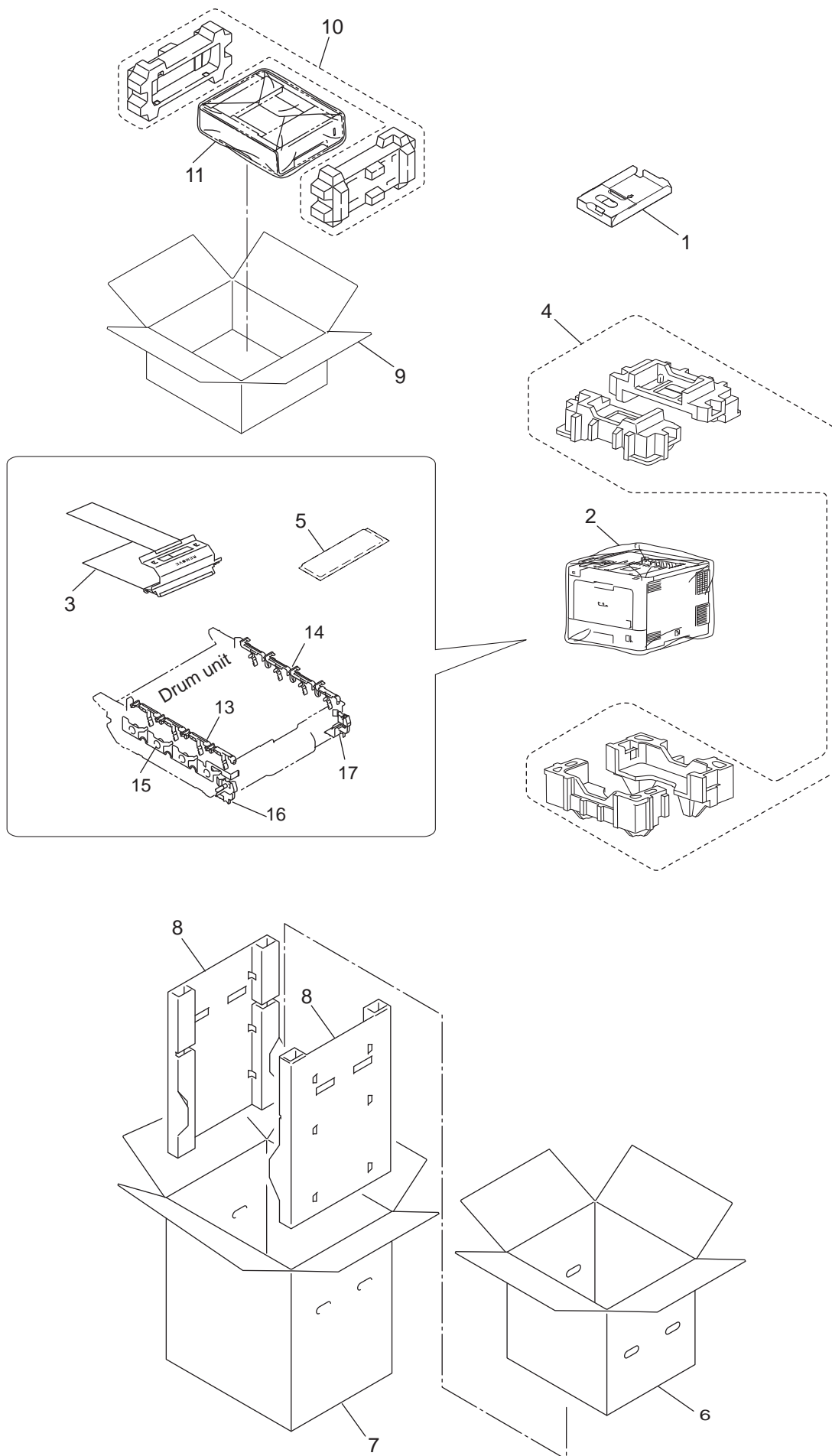
11.ACCESSORIES



11. ACCESSORIES

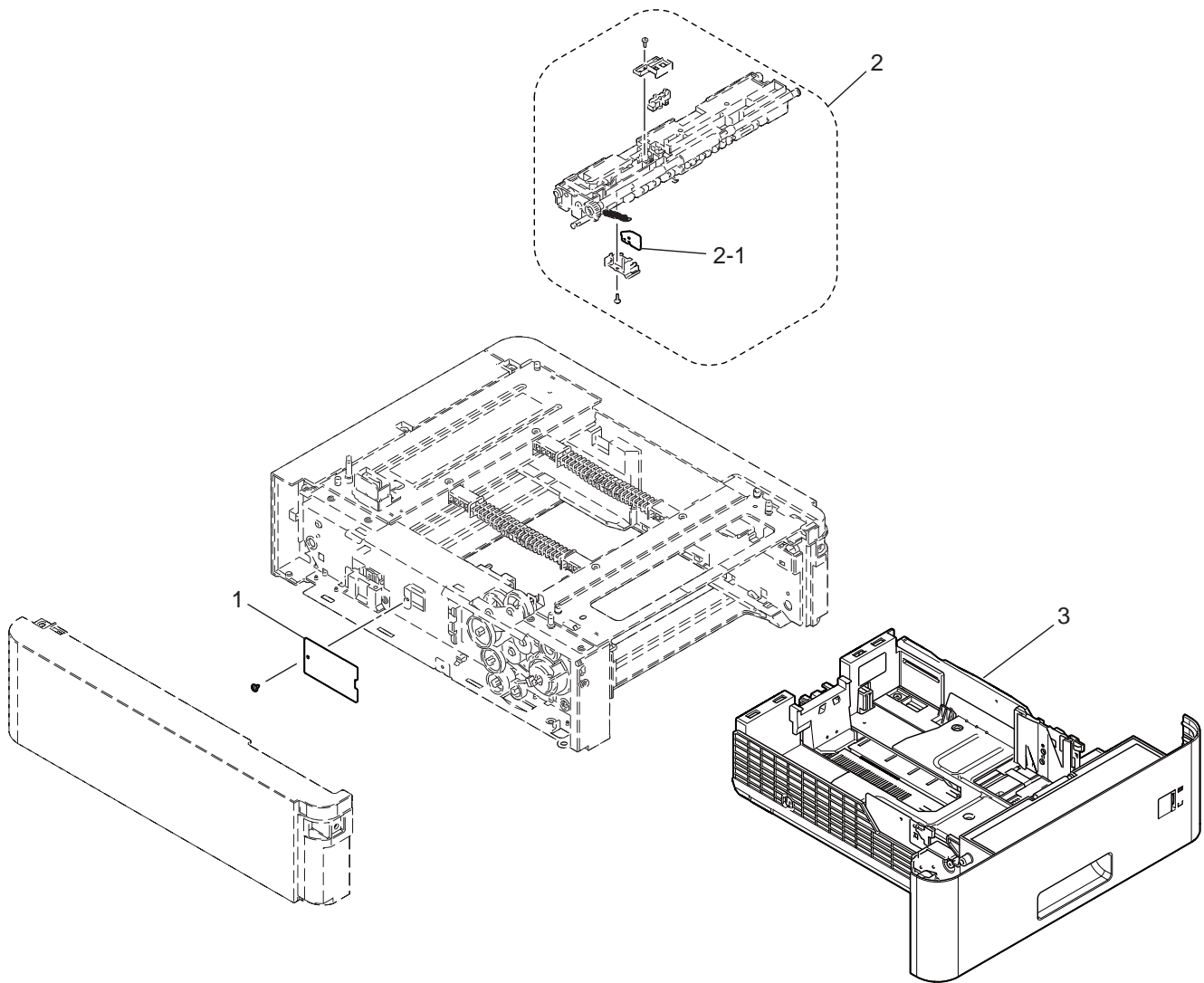
REF No.	CODE	Q'TY	DESCRIPTION	MODEL	SPEC	REMARKS
1	LV1093001	1	AC CORD BAG ASSY LF CHN S/BRO	HL-L8260CDN	FOR CHN	
1	LV0364001	1	AC CORD BAG ASSY LF VDE S	HL-L8260CDN	FOR SGP	
1	LV0368001	1	AC CORD BAG ASSY LF BS/PSB S	HL-L8260CDN	FOR SGP	
1	LM9362001	1	AC CORD BAG ASSY LF UL/CSA 13A	HL-L8260CDW	FOR USA	
1	LV0364001	1	AC CORD BAG ASSY LF VDE S	HL-L8260CDW	FOR GER/ITA/IBR/RUS/FRA/BEL/ HOL/PND/CEE	
1	LV0368001	1	AC CORD BAG ASSY LF BS/PSB S	HL-L8260CDW	FOR UK	
1	LT2259001	1	AC CORD BAG ASSY LF SEV	HL-L8260CDW	FOR SWI	
1	LV0366001	1	AC CORD BAG ASSY LF SAA S	HL-L8260CDW	FOR ARL/NZ	
1	LG4720001	1	AC CORD BAG ASSY LF DEMKO	HL-L8260CDW	FOR PND	
1	LM9362001	1	AC CORD BAG ASSY LF UL/CSA 13A	HL-L8360CDW	FOR USA/CAN	
1	LV0364001	1	AC CORD BAG ASSY LF VDE S	HL-L8360CDW	FOR GER/GULF/SGP/PND/rgEU	
1	LV0368001	1	AC CORD BAG ASSY LF BS/PSB S	HL-L8360CDW	FOR UK/GULF/SGP	
1	LV0366001	1	AC CORD BAG ASSY LF SAA S	HL-L8360CDW	FOR ARL	
1	LT2259001	1	AC CORD BAG ASSY LF SEV	HL-L8360CDW	FOR SWI	
1	LV0454001	1	AC CORD BAG ASSY LF TWN 13A	HL-L8360CDW	FOR TWN	
1	LT0925001	1	AC CORD BAG ASSY LF IRAM	HL-L8360CDW	FOR ARG	
1	LG6207001	1	AC CORD BAG ASSY LF CHILE	HL-L8360CDW	FOR CHL	
1	LV1465001	1	AC CORD BAG ASSY LF INMETRO	HL-L8360CDW	FOR BRZ	
1	LT0935001	1	AC CORD BAG ASSY LF KOR S	HL-L8360CDW	FOR KOR	
1	LG4720001	1	AC CORD BAG ASSY LF DEMKO	HL-L8360CDW	FOR PND	
1	LM9362001	1	AC CORD BAG ASSY LF UL/CSA 13A	HL-L8360CDWT		
1	LM9362001	1	AC CORD BAG ASSY LF UL/CSA 13A	HL-L9310CDW	FOR USA/CAN	
1	LV0364001	1	AC CORD BAG ASSY LF VDE S	HL-L9310CDW	FOR GER/RUS/PND/rgEU	
1	LV0368001	1	AC CORD BAG ASSY LF BS/PSB S	HL-L9310CDW	FOR UK	
1	LT2259001	1	AC CORD BAG ASSY LF SEV	HL-L9310CDW	FOR SWI	
1	LV1093001	1	AC CORD BAG ASSY LF CHN S/BRO	HL-L9310CDW	FOR CHN	
1	LV0366001	1	AC CORD BAG ASSY LF SAA S	HL-L9310CDW	FOR ARL/NZ	
1	LG4720001	1	AC CORD BAG ASSY LF DEMKO	HL-L9310CDW	FOR PND	
2	XA9940051	1	TOUCH PEN			
3	LJ9803001	1	USB CABLE			
(4)	D00EN6001	1	FRENCH PANEL STICKER BC4	HL-L8360CDW	FOR CAN	
(4)	D00EN6001	1	FRENCH PANEL STICKER BC4	HL-L9310CDW	FOR CAN	
5	D00JRR001	1	DRUM CLEANING SHEET KIT(SP)			add

12.PACKING MATERIALS



12. PACKING MATERIALS

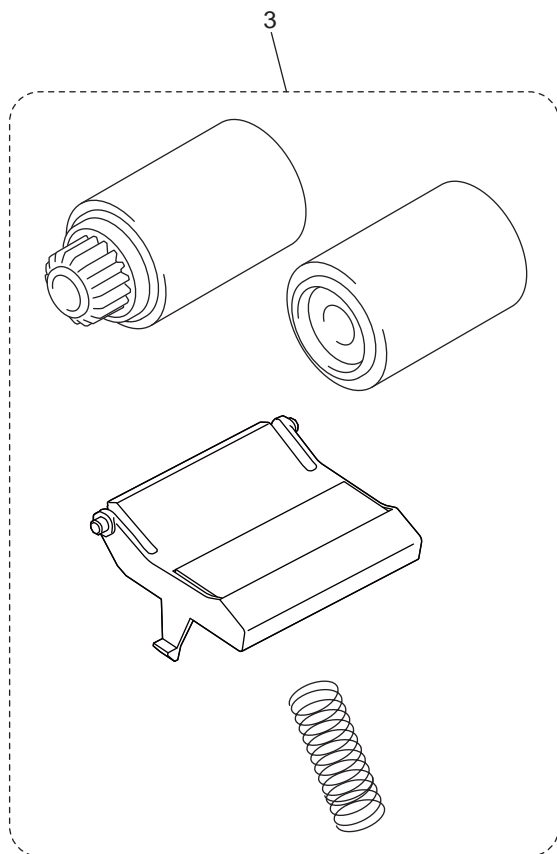
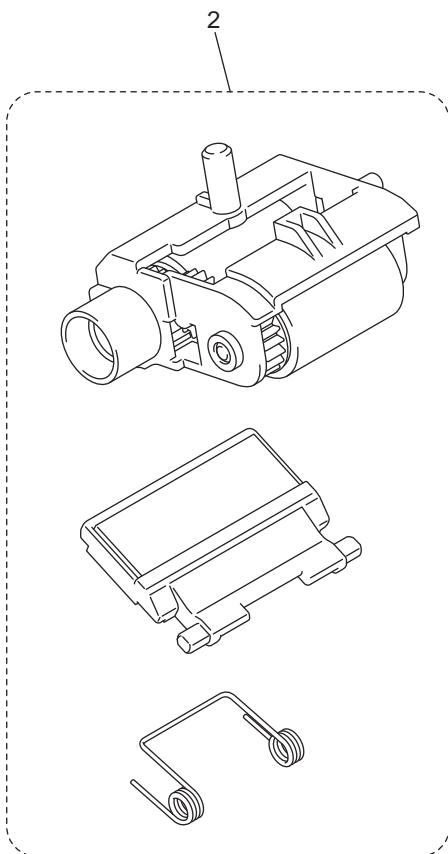
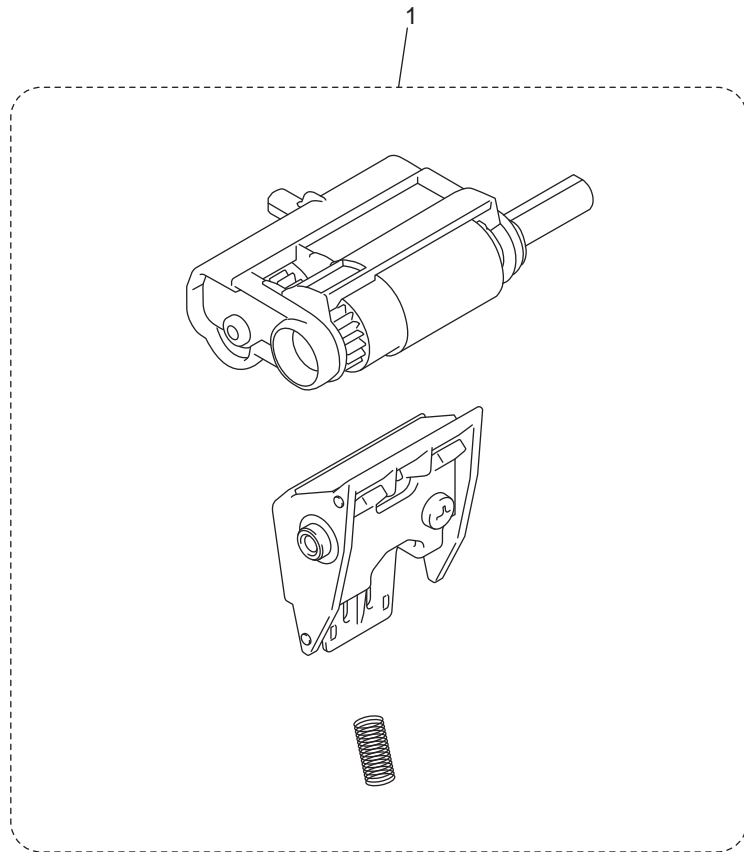
REF NO.	CODE	Q'TY	DESCRIPTION	MODEL	SPEC	REMARKS
1	D00A5F001	1	OPTION CARTON			
2	LY1721001	1	PE BAG 1000X1000			
3	D00FZ9001	1	REMOVE SHEET ASSY			
4	D00AY3001	1	POLYSTYRENE PAD ASSY	HL-L8260CDN	FOR CHN	
4	D00A6R001	1	POLYSTYRENE PAD ASSY	HL-L8260CDN	FOR SGP	
4	D00A6R001	1	POLYSTYRENE PAD ASSY	HL-L8260CDW		
4	D00AY2001	1	POLYSTYRENE PAD ASSY	HL-L8360CDW	FOR USA/CAN/GER/UK/ARL/SWI/ TWN/SGP/PND/rgeU	
4	D00AY3001	1	POLYSTYRENE PAD ASSY	HL-L8360CDW	FOR ARG/CHL/GULF/BRZ/KOR	
4	D00AY2001	1	POLYSTYRENE PAD ASSY	HL-L8360CDWT		
4	D00AY3001	1	POLYSTYRENE PAD ASSY	HL-L9310CDW		
5	LY1679001	1	SILICA GEL	HL-L8260CDN		
5	LY1678001	1	SILICA GEL	HL-L8260CDW	FOR USA	
5	LY1679001	1	SILICA GEL	HL-L8260CDW	FOR GER/UK/SWI/ITA/IBR/RUS/ FRA/BEL/HOL/ARL/NZ/PND/CEE	
5	LY1678001	1	SILICA GEL	HL-L8360CDW	FOR USA/CAN/ARG/CHL/BRZ	
5	LY1679001	1	SILICA GEL	HL-L8360CDW	FOR GER/UK/ARL/SWI/TWN/GULF/ SGP/KOR/PND/rgeU	
5	LY1678001	1	SILICA GEL	HL-L8360CDWT		
5	LY1678001	1	SILICA GEL	HL-L9310CDW	FOR USA/CAN	
5	LY1679001	1	SILICA GEL	HL-L9310CDW	FOR GER/UK/SWI/CHN/RUS/ARL/ NZ/PND/rgeU	
6	D00MX1001	1	CARTON	HL-L8260CDN	FOR CHN	
6	D00KYW001	1	CARTON	HL-L8260CDN	FOR SGP	
6	D00LFJ001	1	CARTON	HL-L8260CDW	FOR USA	
6	D00EJN001	1	CARTON	HL-L8260CDW	FOR GER/UK/SWI/ITA/IBR/RUS/ FRA/BEL/HOL/PND/CEE	
6	D00K7T001	1	CARTON	HL-L8260CDW	FOR ARL/NZ	
6	D00EAN001	1	CARTON	HL-L8360CDW	FOR USA	
6	D00FCK001	1	CARTON	HL-L8360CDW	FOR CAN	
6	D00ELV001	1	CARTON	HL-L8360CDW	FOR GER/UK/SWI/PND/rgeU	
6	D00K91001	1	CARTON	HL-L8360CDW	FOR ARL/TWN/SGP	
6	D00EAN001	1	CARTON	HL-L8360CDWT		
6	D00L1W001	1	CARTON	HL-L8360CDW	FOR ARG/CHL	
6	D00LS5001	1	CARTON	HL-L8360CDW	FOR GULF/KOR	
6	D00L21001	1	CARTON	HL-L8360CDW	FOR BRZ	
6	D00EDC001	1	CARTON	HL-L9310CDW	FOR USA/CAN	
6	D00ENE001	1	CARTON	HL-L9310CDW	FOR GER/UK/SWI/RUS/PND/rgeU	
6	D00K8W001	1	CARTON	HL-L9310CDW	FOR ARL/NZ	
6	D00MXU001	1	CARTON	HL-L9310CDW	FOR CHN	
7	D00EZG001	1	CARTON OUTER	HL-L8360CDWT		
8	D00CVX001	2	CARTON SPACER	HL-L8360CDWT		
9	D00E9T001	1	CARTON LT	HL-L8360CDWT		
10	D00C1F001	1	POLYSTYRENE PAD ASSY LT	HL-L8360CDWT		
11	LJ5584001	1	BAG 700X800H	HL-L8360CDWT		
(12)	D00MY8001	1	CARTON LABEL L8360CDW TWN	HL-L8360CDW	FOR TWN	
13	D006D2001	1	DEVELOP SPACER L			ADD
14	D006D3001	1	DEVELOP SPACER R			ADD
15	LY0898001	1	DEVELOP STOPPER			ADD
16	LY0903001	1	DRM STOPPER L			ADD
17	LU6891001	1	DRM STOPPER R			ADD



13. LT

REF NO.	CODE	Q'TY	DESCRIPTION	MODEL	SPEC	REMARKS
1	D007ZN001	1	LT RELAY PCB ASSY	HL-L8360CDWT		
2	D008M6001	1	LT PAPER FEED FRAME UNIT	HL-L8360CDWT		
2-1	D009VN001	1	LT PAPER EMPTY/PLATE ORIGIN SENSOR PCB ASSY	HL-L8360CDWT		
3	D007ZU001	1	LT PAPER TRAY	HL-L8360CDWT		

14.PERIODICAL MAINTENANCE PARTS



14.PERIODICAL MAINTENENCE PARTS

REF NO.	CODE	Q'TY	DESCRIPTION	MODEL	SPEC	REMARKS
1	D00LF5001	1	PF KIT 1			
2	LU4979001	1	PF KIT MP			
3	LR2210001	1	PF KIT 2	HL-L8360CDWT		