



**P-touch**

**PARTS REFERENCE LIST**

**MODEL: QL-700/QL-700S**

MECHANISMS & ELECTRONICS

## NOTES FOR USING THIS PARTS REFERENCE LIST

1. When ordering parts, inform us of the following items:

- (1) Code
- (2) Q'ty
- (3) Description
- (4) Symbol (PCB No., Revision, and Parts location mounted on the PCB.)

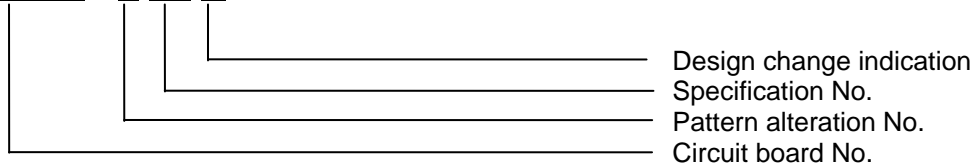
Note : Orders without Parts Code or Tool No. cannot be accepted.

[ Example ]

REF. NO.	SYMBOL	CODE	Q'TY	DESCRIPTION	REMARKS
					R

Revision No. : marked on the printed circuit board.

B55L139 - 1 01 A



2. Design-changed parts:

When the parts are design-changed, any one of the following symbols is indicated in the REMARKS column.

- CHNG#A: compatible between old and new
- CHNG#B: replaceable from old to new
- CHNG#D: incompatible
- ADD : newly added

3. Parts marked with an "R" in the REMARKS column are recommended spare parts.

4. The original of this list was made based on the information as of Sep., 2011.

5. Parts are subject to change in design without prior notice.

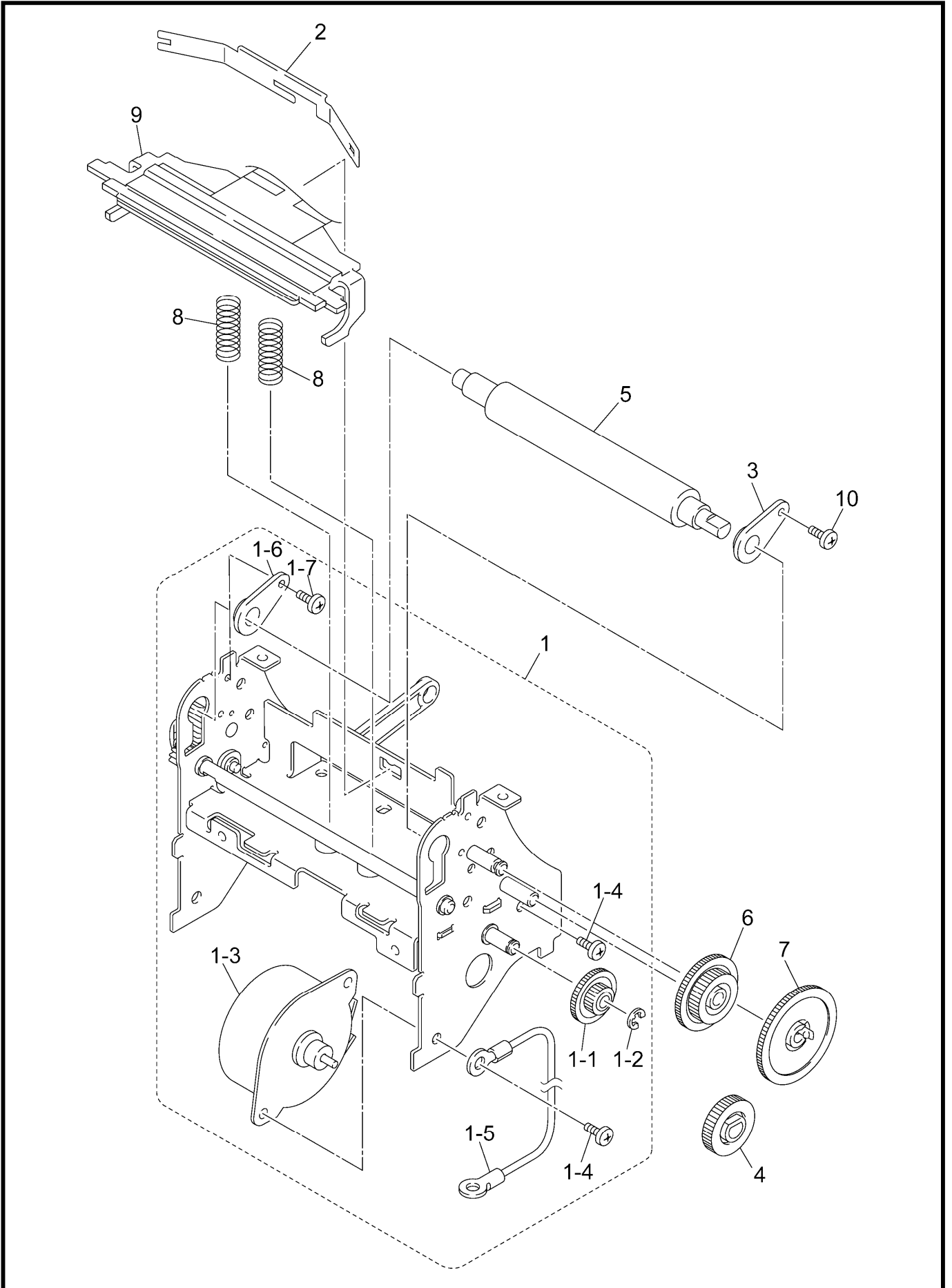
### COUNTRIES

U.S.A. ---- USA	Switzerland ---- CHE	Singapore ---- SGP
Canada ---- CAN	Denmark ---- DNK	India ---- IND
Brazil ---- BRA	Hungary ---- HUN	Thailand ---- THA
South Africa ---- ZAF	Turkey ---- TUR	China ---- CHN
Germany ---- DEU	Argentina ---- ARG	Australia ---- AUS
United Kingdom ---- GBR	Korea ---- KOR	U.A.E ---- ARE
France ---- FRA	Taiwan ---- TWN	
Spain ---- ESP	Hong Kong ---- HKG	

# CONTENTS

- 1 . PRINT MECHANISM ..... 1
- 2 . COVERS ..... 3
- 3 . CUTTER ..... 5
- 4 . MAIN PCB ..... 7
- 5 . SENSORS ..... 9
- 6 . POWER SUPPLY PCB ..... 11
- 7 . ATTACHMENTS ..... 13
- 8 . PRINTED MATTER ..... 15
- 9 . PACKING MATERIALS ..... 17

1 . PRINT MECHANISM



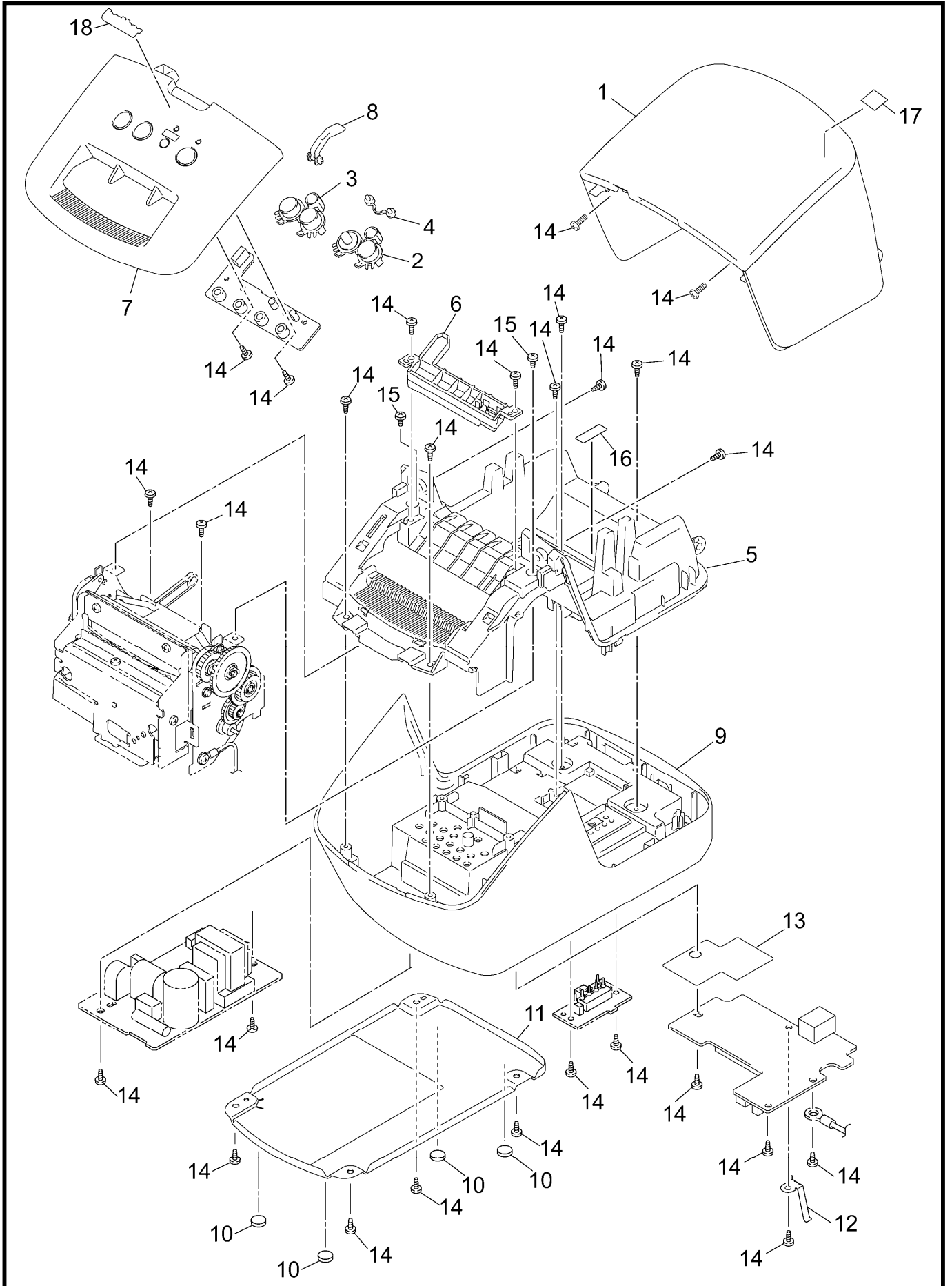
MODEL QL-700 8V7-108-045

1 . PRINT MECHANISM

REF.NO.	CODE	Q'TY	DESCRIPTION	REMARKS
1	LB9342001	1	MECHA ASSY QL700	
1-1	LB5019001	1	DOUBLE GEAR A	
1-2	048025346	1	RETAINING RING E2.5	
1-3	LB9343001	1	TAPE FEED MOTOR ASSY QL700	
1-4	060300416	2	SCREW BIND M3X4	
1-5	LB7302001	1	FG HARNESS ASSY QL570	
1-6	LB5017001	1	PLATEN SHAFT BUSHING	
1-7	060020416	1	SCREW BIND M2X4	
2	LB7303001	1	HEAD HOLD SPRING QL570	
3	LB5017001	1	PLATEN SHAFT BUSHING	
4	LB5018001	1	PLATEN GEAR	
5	LB7552001	1	PLATEN ASSY QL570	
6	LB5020001	1	DOUBLE GEAR B	
7	LB5021001	1	DOUBLE GEAR C	
8	LB7306001	2	HEAD SPRING L QL570	
9	LB9638001	1	HEAD ASSY KD3002-11 (SP)	
10	060020416	1	SCREW BIND M2X4	

MODEL QL-700 8V7-108-045

2. COVERS

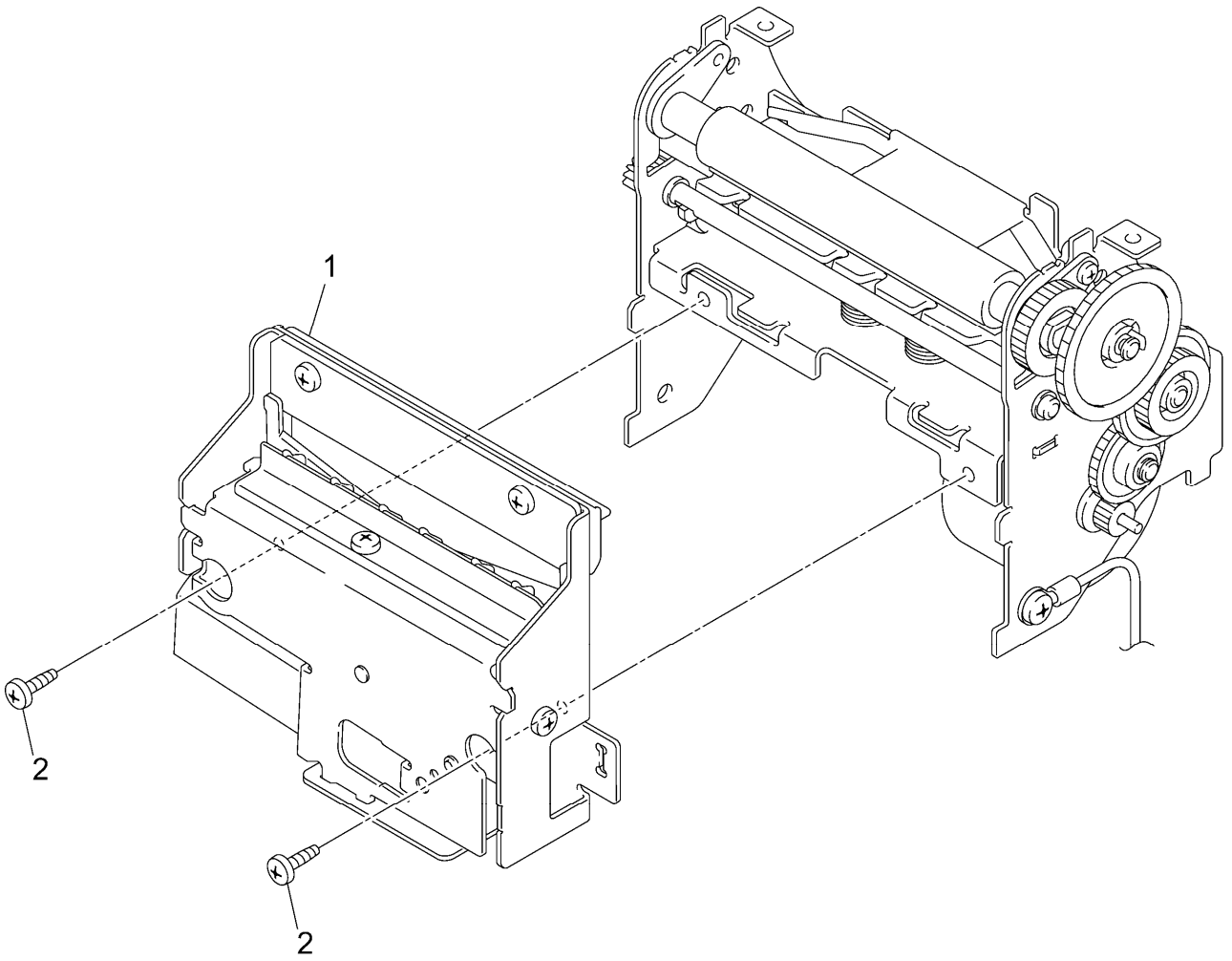


MODEL QL-700 8V7-108-061

2 . COVERS

REF.NO.	CODE	Q'TY	DESCRIPTION	REMARKS
1	LB9562001	1	TOP COVER ASSY QL700 EXCEPT FOR CAN	
1	LB9680001	1	TOP COVER ASSY QL700 CAN FOR CAN	
2	LB9304001	1	POWER BUTTON QL700	
3	LB9305001	1	FEED BUTTON QL700 USA	
3	LB9354001	1	FEED BUTTON QL700 EU FOR USA/BRA/ZAF/KOR/TWN/HKG/SGP/IND/THA/AUS/ARE FOR CAN/DEU/GBR/FRA/CHE/DNK/ESP/HUN/TUR/ARG/CHN	
4	LB9306001	1	LED GUIDE QL700	
5	LB9307001	1	UPPER COVER QL700	
6	LB7336001	1	INSERT GUIDE QL570	
7	LB9308001	1	PANEL COVER QL700 FOR USA/BRA/ZAF/KOR/TWN/HKG/SGP/IND/THA/AUS/ARE	
7	LB9440001	1	PANEL COVER QL700 EU FOR CAN/DEU/GBR/FRA/CHE/DNK/ESP/HUN/TUR/ARG/CHN	
8	LB9309001	1	COVER SENSOR ARM QL700	
9	LB9310001	1	UNDER COVER QL700	
10	LA5753001	4	LOWER FOOT 2300	
11	LB9345001	1	LOWER PLATE ASSY QL700	
12	LB9371001	1	GROUND SPRING PLATE QL570	
13	LB9314001	1	INSULATING SHEET S QL700	
14	085270817	27	TAPTITE BIND B M2.6X8	
15	LB6834001	2	SCREW BIND M2.6X4	
16	LB6321001	1	VOLUME COVER LABEL	
17	LR1837001	1	ENERGY STAR LABEL	
18	LB9315001	1	EMBLEM QL700	
	LB8242001	1	IRAM LABEL ARG COVER FOR ARG	
	LB9759001	1	CAUTION LABEL QL ARG FOR ARG	
	LW0985001	1	CHINA ROHS STICKER 10 FOR CHN	
	LW1476001	1	CHINA PRODUCTION DATE LABEL FOR CHN	
	LW7693001	1	KOR PRODUCTION DATE LABEL FOR KOR	

3 . CUTTER



MODEL QL-700 8V7-108-050



3 . CUTTER

REF.NO.	CODE	Q'TY	DESCRIPTION	REMARKS
1	LB7314002	1	CUTTER UNIT ASSY QL570	
2	LB7402001	2	SCREW BIND M2.6X5	

MODEL QL-700 8V7-108-050

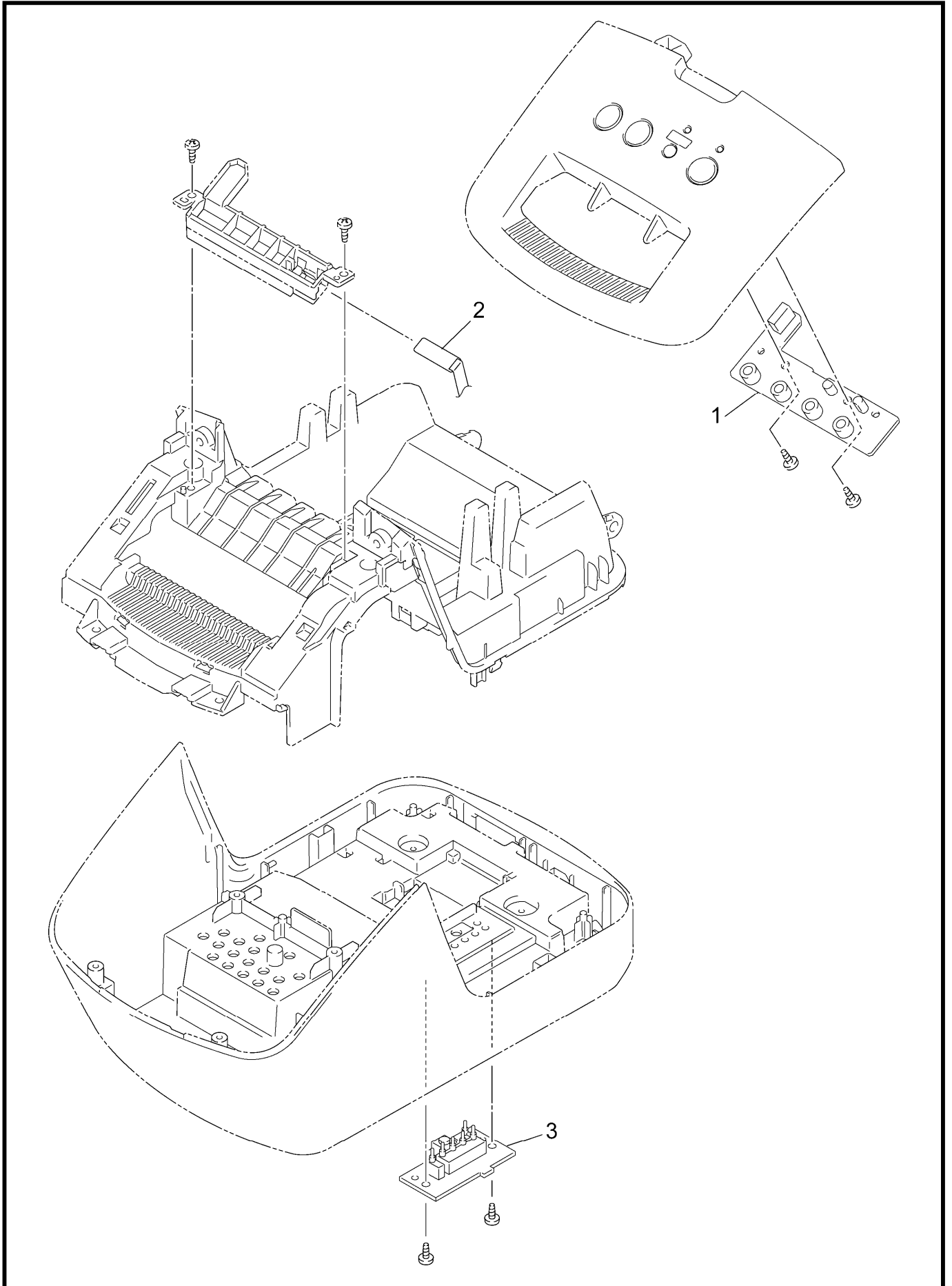


4 . MAIN PCB

REF.NO.	SYMBOL	CODE	Q'TY	DESCRIPTION	REMARKS
1	B55L319-201E	LB9150001	1	MAIN PCB ASSY QL700 EXCEPT FOR ARE	R
1	B55L319-202B	LB9809001	1	MAIN PCB ASSY QL700 FOR ARE	R

MODEL QL-700 8V7-108-101

## 5. SENSORS



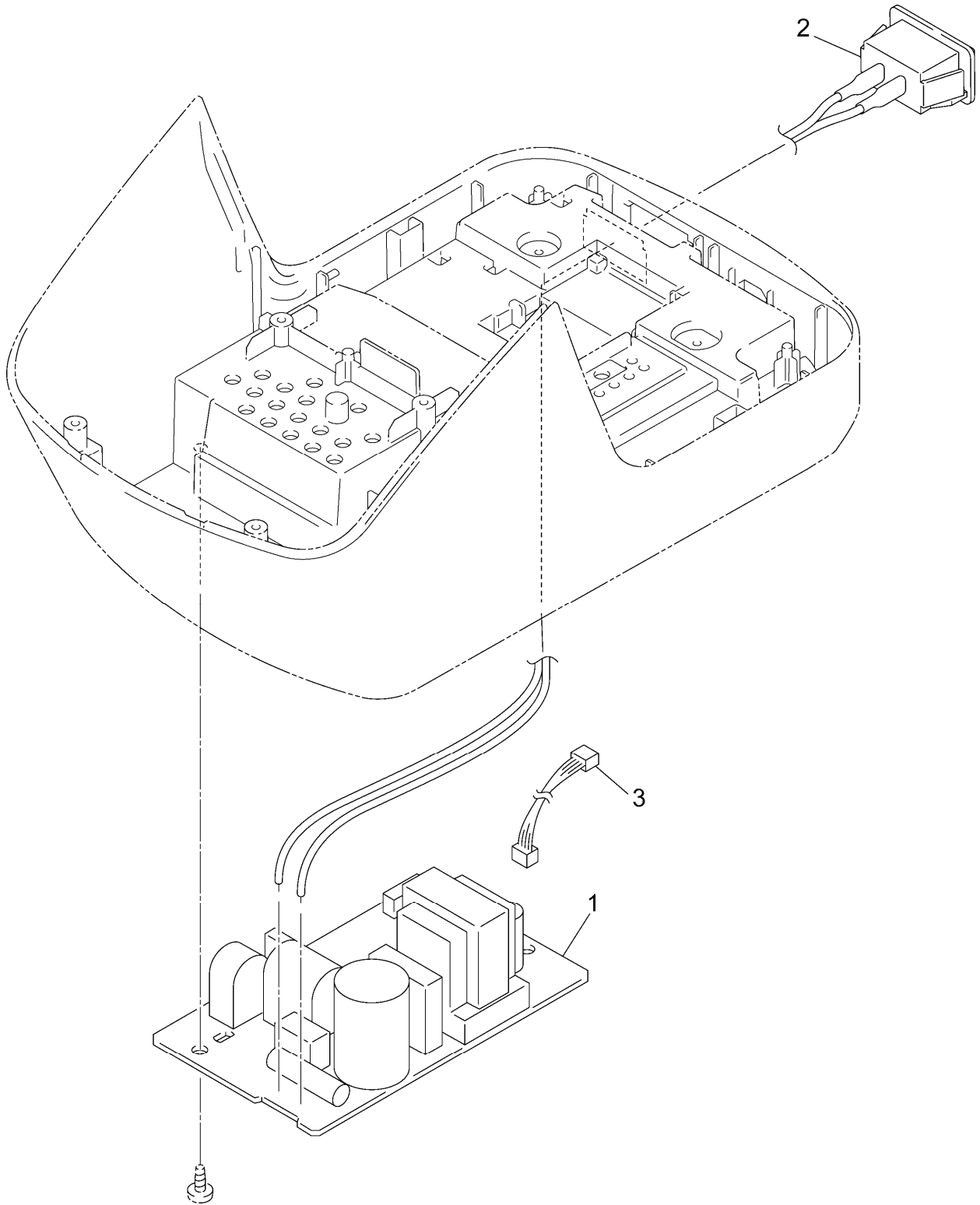
MODEL QL-700 8V7-108-100

5 . SENSORS

REF.NO.	SYMBOL	CODE	Q'TY	DESCRIPTION	REMARKS
1	B55L320-201A	LB9324001	1	SB PCB ASSY QL-700	R
2		LB9234001	1	TAPE SENSOR PCB ASSY QL	R
3	B55L244-203	LB9386001	1	MEDIA PCB ASSY QL570	R CHNG#B

MODEL QL-700 8V7-108-100

6 . POWER SUPPLY PCB

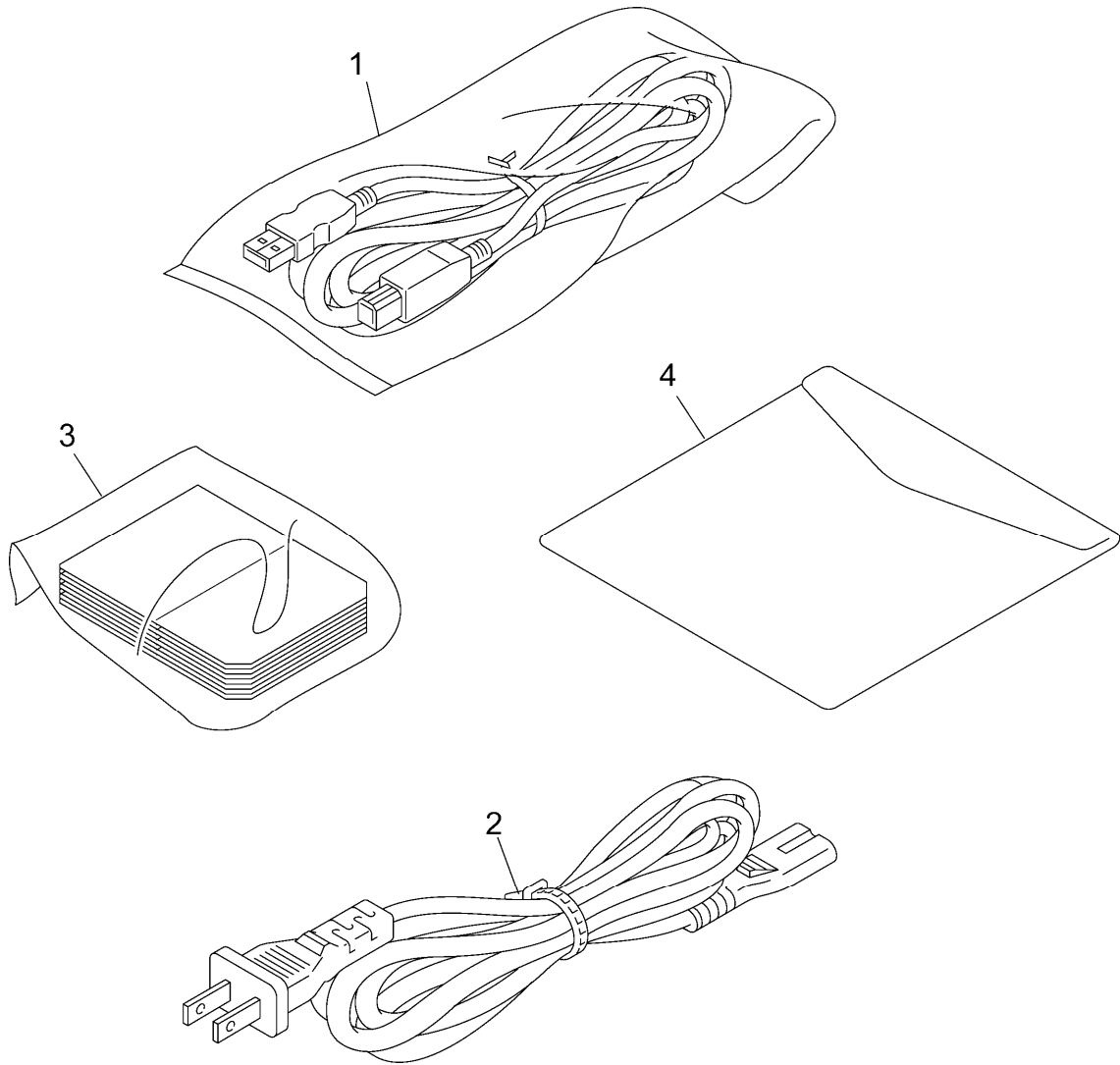


MODEL QL-700 8V7-108-102

6 . POWER SUPPLY PCB

REF.NO.	SYMBOL	CODE	Q'TY	DESCRIPTION	REMARKS
1		LB7364001	1	POWER SUPPLY ASSY MPW6433 FOR USA/CAN/BRA/TWN	R
1		LB9339001	1	POWER SUPPLY ASSY MPA9511 FOR ZAF/DEU/GBR/FRA/CHE /DNK/ESP/HUN/TUR/ARG/KOR/HKG/SGP/IND/THA/AUS/ARE	R
1		LB9643001	1	POWER SUPPLY ASSY MPA9511C FOR CHN	R
2		LB7366001	1	SUB ASSY INLET QL570 EXCEPT FOR CHN	
2		LB9764001	1	SUB ASSY INLET QL700 FOR CHN	
3		LB7382001	1	POWER8 HARNESS ASSY QL570	

## 7 . ATTACHMENTS



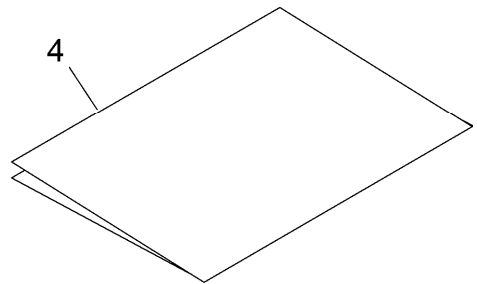
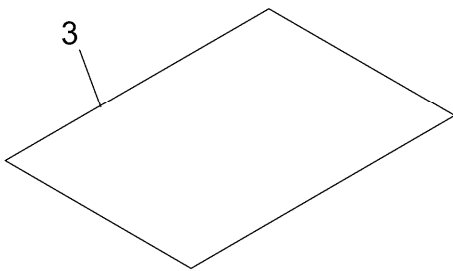
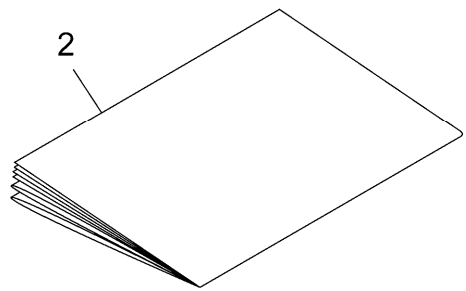
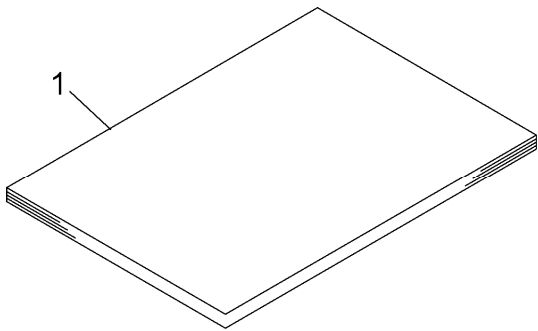
MODEL QL-700 8V7-108-910



7 . ATTACHMENTS

REF.NO.	SYMBOL	CODE	Q'TY	DESCRIPTION	REMARKS
1		LJ9803001	1	USB CABLE 2.0 FOR USA/CAN/BRA/TWN	
1		LB6420001	1	USB2.0/FCABLE WY COREBRO FOR ZAF/DEU/GBR/FRA/CHE /DNK/ESP/HUN/TUR/ARG/KOR/HKG/SGP/IND/THA/CHN/AUS /ARE	
2		LW2359001	1	POWER SUPPLY CORD CSA LF FOR USA/CAN/TWN	
2		LN8126001	1	POWER SUPPLY CORD EU FOR ZAF/DEU/FRA/CHE/DNK/ESP /HUN/TUR/THA	
2		LN8125001	1	POWER SUPPLY CORD BS FOR GBR/HKG/SGP/ARE	
2		LB9745001	1	POWER SUPPLY CORD BRA FOR BRA	
2		XD0111151	1	POWER SUPPLY CORD:IRAM FOR ARG	
2		LN8127001	1	POWER SUPPLY CORD AUS FOR AUS	
2		LW5704001	1	POWER SUPPLY CORD CHN FOR CHN	
2		LW2641001	1	POWER SUPPLY CORD INDIA FOR IND	
2		LN8129001	1	POWER SUPPLY CORD KOR FOR KOR	
3		LB9543001	1	CLEANING SHEET ASSY DK-CL99	
4		LB9726001	1	CD-ROM QL-700 USA FOR USA/CAN/BRA	chn#B
4		LB9786001	1	CD-ROM QL-700 EU1 FOR DEU/GBR/FRA/CHE/IND/AUS	CHNG#B
4		LB9788001	1	CD-ROM QL-700 NORDIC FOR DNK	CHNG#B
4		LB9787001	1	CD-ROM QL-700 EU2 FOR ESP/ARG	CHNG#B
4		LB9789001	1	CD-ROM QL-700 CEE FOR HUN	CHNG#B
4		LB9422001	1	CD-ROM QL-700 AP FOR ZAF/TUR/KOR/TWN/HKG/SGP/THA /ARE	
4		LB9675001	1	CD-ROM QL-700 CHN FOR CHN	

8 . PRINTED MATTER

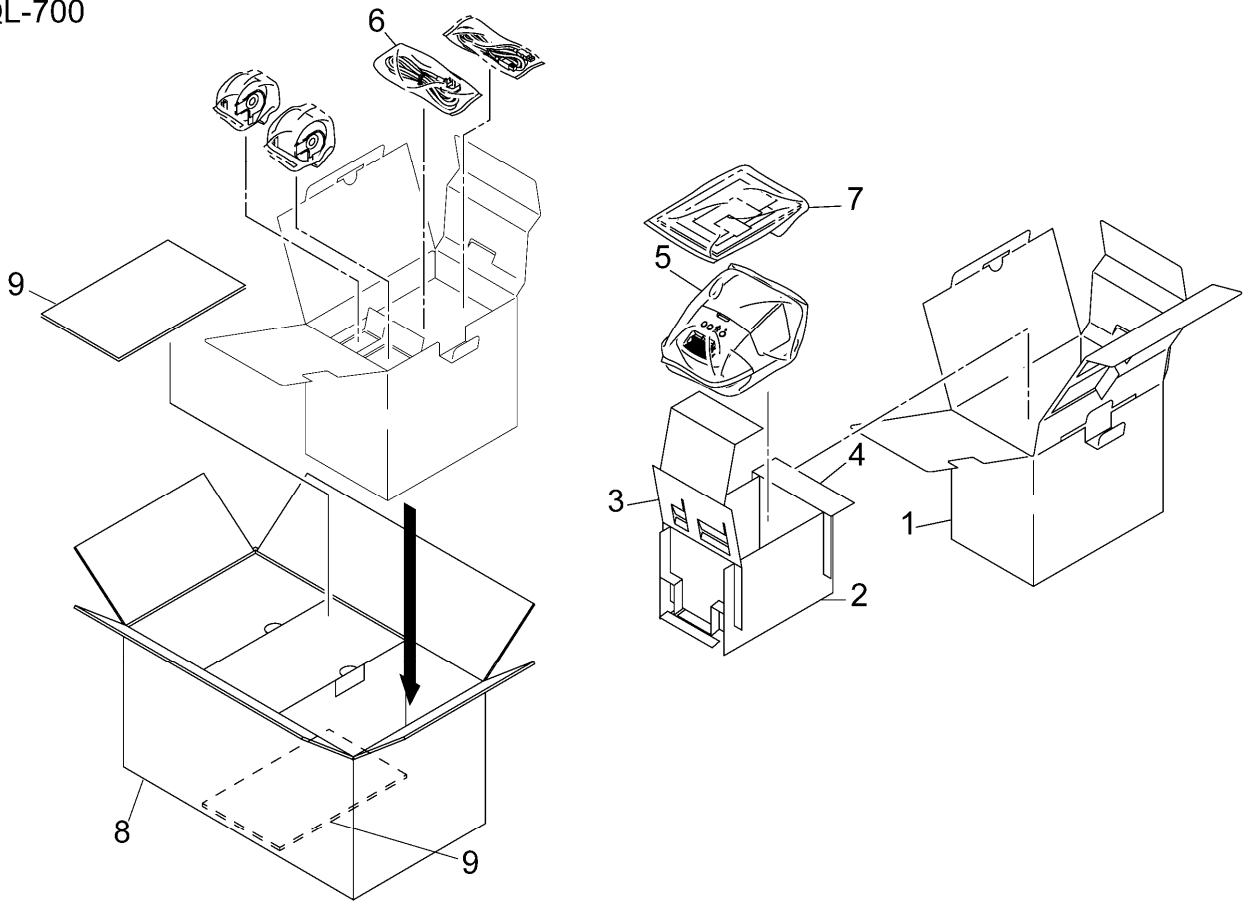


8 . PRINTED MATTER

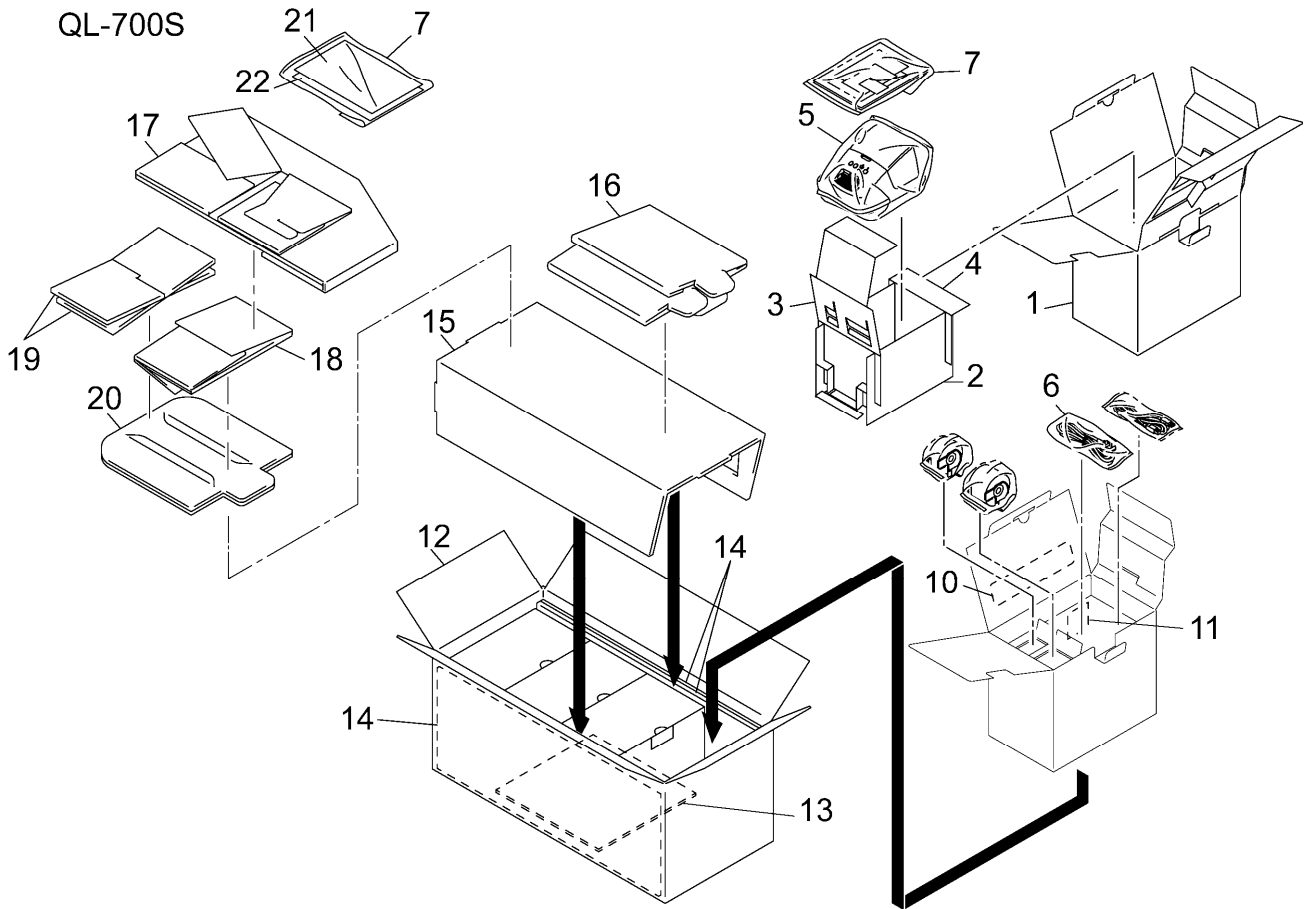
REF.NO.	SYMBOL	CODE	Q'TY	DESCRIPTION	REMARKS
1		LB9457001	1	QUICK SETUP G QL700 US ENG/SPA FOR USA	
1		LB9515001	1	QUICK SETUP G QL700 DEU/ITA FOR DEU/CHE	
1		LB9514001	1	QUICK SETUP G QL700 UK ENG GBR/DNK/HUN	
1		LB9516001	1	QUICK SETUP G QL700 FRA/NLD FOR FRA/CHE	
1		LB9518001	1	QUICK SETUP G QL700 DAN/NOR FOR DNK	
1		LB9519001	1	QUICK SETUP G QL700 SWE/FIN FOR DNK	
1		LB9517001	1	QUICK SETUP G QL700 SPA/POR FOR ESP/ARG	
1		LB9520001	1	QUICK SETUP G QL700 CZE/HUN FOR HUN	
1		LB9521001	1	QUICK SETUP G QL700 POL/CRO FOR HUN	
1		LB9522001	1	QUICK SETUP G QL700 ROM/SLV FOR HUN	
1		LB9523001	1	QUICK SETUP G QL700 SVN/BGR FOR HUN	
1		LB9459001	1	QUICK SETUP G QL700 BRA POR FOR BRA	
1		LB9630001	1	QUICK SETUP G QL700 TUR FOR TUR	
1		LB9528001	1	QUICK SETUP G QL700 AP ENG FOR ZAF/HKG/SGP/IND/THA/AUS/ARE	
1		LB9458001	1	QUICK SETUP G QL700 CA ENG/FRE FOR CAN	
1		LB9631001	1	QUICK SETUP G QL700 HK/TW FOR TWN/HKG	
1		LB9606001	1	QUICK SETUP G QL700 CHN FOR CHN	
1		LB9629001	1	QUICK SETUP G QL700 THA/VNM FOR THA	
1		LB9607001	1	QUICK SETUP G QL700 ARE FOR ARE	
1		LB9605001	1	QUICK SETUP G QL700 KOR FRO KOR	
2		LB9746001	1	DK ROLL/TAPE CATALOG USA FOR USA/BRA/ARG	CHNG#B
2		LB8239001	1	QL-ROLL INSERTION EU FOR DEU/GBR/FRA/CHE/DNK/ESP/HUN	
2		LB9609001	1	DK ROLL/TAPE CATALOG AUS FOR ZAF/TUR/KOR/TWN/HKG /SGP/IND/THA/AUS/ARE	
3		LN6297001	1	REGISTER INSERTION US CH FOR USA	
3		LY3148001	1	REGISTRATION INSERTION PAN-NOR FOR DNK	
3		LW7758001	1	WEEE & BATTERY INSERTION EU FOR DEU/GBR/FRA/CHE/DNK/ESP/HUN/TUR	
3		LB9633001	1	VOUCHER INSERTION ASSY 700, QL-700S FOR DEU/GBR/FRA/DNK/ESP	
3		LB9781001	1	POSTAGE PRINTING INSERTION FOR USA	CHNG#B
4		LB9535001	1	WARRANTY CARD QL USA CH FOR USA	
4		LW6916001	1	WARRANTY CARD EURO FOR GBR/FRA/CHE/DNK/ESP	CHNG#B
4		LM4756001	1	WARRANTY CARD IRE FOR GBR	
4		LW2157001	1	3YEAR WARRANTY CARD UK FOR GBR	
4		LW2661001	1	WARRANTY CARD FRA FOR FRA	
4		LJ5400001	1	WARRANTY CARD SPA FOR ESP	
4		LM2652001	1	WARRANTY CARD POR FOR ESP	
4		LW3135001	1	CEE WARRANTY CARD FOR HUN	
4		LS1027001	1	WARRANTY CARD BRZ FOR BRA	
4		LX0474001	1	WARRANTY CARD BH9 ARG FOR ARG	
4		LB8142001	1	2YEARS WARRANTY CARD CAN FOR CAN	
4		LA4592001	1	WARRANTY CARD HONG KONG FOR HKG	
4		LX7910001	1	WARRANTY CARD TWN FOR TWN	
4		LW3773001	1	WARRANTY CARD CHINA FOR CHN	
4		LB9676001	1	TURKISH DOC INSERTION QL-700 FOR TUR	
4		LW3688001	1	INSERTION ARGENTINA FOR ARG	
4		LB9533001	1	CD-ROM FRENCH SHEET QL700 FOR CAN	

9 . PACKING MATERIALS

QL-700



QL-700S



MODEL QL-700 8V7-108-930

9 . PACKING MATERIALS

REF.NO.	SYMBOL	CODE	Q'TY	DESCRIPTION	REMARKS
1		LB9654001	1	CARTON QL-700 USA FOR USA	chn#B
1		LB9356001	1	CARTON QL-700 EU FOR DEU/GBR/FRA/CHE/DNK/ESP/HUN/BRA/TUR/ARG	
1		LB9415001	1	CARTON QL-700 AP FOR ZAF/SGP/IND/AUS	
1		LB9530001	1	CARTON QL-700 CAN FOR CAN	
1		LB9674001	1	CARTON QL-700 ASIA FOR KOR/TWN/HKG/THA/ARE	
1		LB9604001	1	CARTON QL-700 CHN FOR CHN	
2		LB9825001	1	PAD LOWER QL700	CHNG#B
3		LB9350001	1	PAD UPPER QL700	
4		LB9826001	1	PARTITION PAD QL700	CHNG#B
5		LB9824001	1	BAG 300X440H (FOR BODY)	CHNG#B
6		LA7882001	1	BAG 130X350 (FOR POWER SUPPLY CORD)	
7		LA6867001	1	BAG 215X360H (FOR PRINTED MATTERS)	
8		LB9647001	1	CARTON (X3) QL700 USA FOR USA/CAN/BRA/ZAF/ARG/KOR/ TWN/HKG/SGP/IND/THA/AUS/ARE	chn#B
8		LB9357001	1	CARTON (X3) QL700 EU,QL-700 FOR DEU/GBR/FRA/CHE/DNK/ESP/HUN/TUR	
8		LB8080001	1	CARTON (X3) QL-570 CHN FOR CHN	
9		LB7355001	2	PAD QL570 FOR QL-700	
10		LB9552001	1	VOUCHER STICKER 700/S LARGE B, QL-700S FOR DEU/FRA	
10		LB9551001	1	VOUCHER STICKER 700/S LARGE A, QL-700S FOR GBR	
10		LB9553001	1	VOUCHER STICKER 700/S LARGE C, QL-700S FOR DNK	
11		LB9556001	1	VOUCHER STICKER 700/S SMALL B,QL-700S FOR DEU/FRA	
11		LB9555001	1	VOUCHER STICKER 700/S SMALL A, QL-700S FOR GBR	
11		LB9557001	1	VOUCHER STICKER 700/S SMALL C, QL-700S FOR DNK	
12		LB9428001	1	CARTON (X4) QL700 FOR QL-700S	
13		LB9429000	1	PAD QL700S FOR QL-700S	
14		LB9430000	3	SIDE PAD QL700S FOR QL-700S	
15		LB9431001	1	DISPLAY STAND UPPER QL-700S FOR QL-700S	
16		LB9432001	1	DISPLAY STAND LOWER QL-700S FOR QL-700S	
17		LB9462001	1	DISPLAY BASE ASSY QL-700S FOR QL-700S	
18		LB9465001	1	BASE PAD A QL-700S QL-700S FOR QL-700S	
19		LB9466000	2	BASE PAD B QL-700S QL-700S FOR QL-700S	
20		LB9433001	1	POP BOARD QL-700S QL-700S FOR QL-700S	
21		LB9435001	1	INSERTION QL-700S QL-700S FOR QL-700S	
22		LB9434001	1	QL-700S STICKER A, QL-700S FOR DEU/FRA	
22		LB9545001	1	QL-700S STICKER B, QL-700S FOR GBR	
22		LB9549001	1	QL-700S STICKER F, QL-700S FOR CHE	
22		LB9546001	1	QL-700S STICKER C, QL-700S FOR DNK	
		LW3751001	1	3YR GUARANTEE MYLAR LABEL GER FOR DEU	
		LN6938001	1	AUSTRIA LABEL LARGE FOR HUN	
		LB9714001	1	TURKEY LABEL QL-700 FOR TUR	
		LB9683001	1	IRAM LABEL QL-700 ARG FOR ARG	
		UN8891001	1	C-TICK MARK FOR AUS	

**brother**®