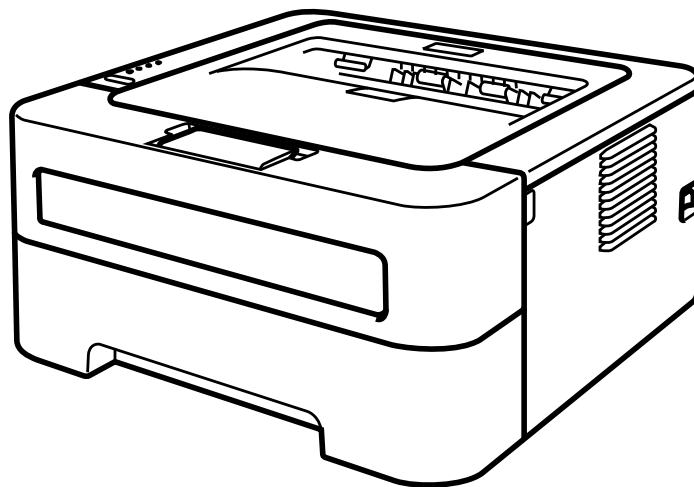




Laser Printer **PARTS REFERENCE LIST**

**MODEL:HL-2130/2132/2135W/
2220/2230/2240/2240D/
2242D/2250DN/2270DW/2275DW**



Read this list thoroughly before maintenance work.

Keep this list in a convenient place for quick and easy reference at all times.

NOTE FOR USING THIS PARTS REFERENCE LIST

1. In the case of ordering parts, it is necessary to mention the following items:

- (1) Code
- (2) Q'ty
- (3) Description
- (4) Symbol (PCB No. etc.)

<Example>

	(1)	(2)	(3)	(4)	
REF.NO.	CODE	Q'TY	DESCRIPTION	SYMBOL	REMARK

Revision No.: marked on the **main printed circuit board (Main PCB)**

B48K056

----- Circuit board No.

2. Design-changed parts:

If any of the parts is changed, one of the following symbols is indicated in the REMARK column.

CHG (chg): The part is changed for a new one.

ADD (add): The part is newly added.

DEL (del): The part is deleted.

Symbol in capital letters indicates the latest parts change information in the page.

3. The original parts reference list is based on the information available in July 2009.

4. Parts are subject to change in design without prior notice.

COUNTRIES AND AREAS

ARG: Argentina

ARL: Australia

BRA: Brazil

CAN: Canada

CEE: CEE-GENERAL

(Bulgaria/Czech/Hungary/Poland/Romania/
Slovakia)

CHE: Switzerland

CHL: Chile

CHN: China

FRA/BEL/NLD: France/Belgium/Netherlands

GER: Germany

GUL: Gulf

IBR: Spain/Portugal

IDN: Indonesia

IND: India

ISR: Israel

ITA: Italy

KOR: Korea

MEX: Mexico

NZ: New Zealand

PHL: Philippines

PND: PAN-NOR

(Norway/Finland/Denmark/Sweden)

POL: Poland

RUS: Russia

SGP: Singapore

TWN: Taiwan

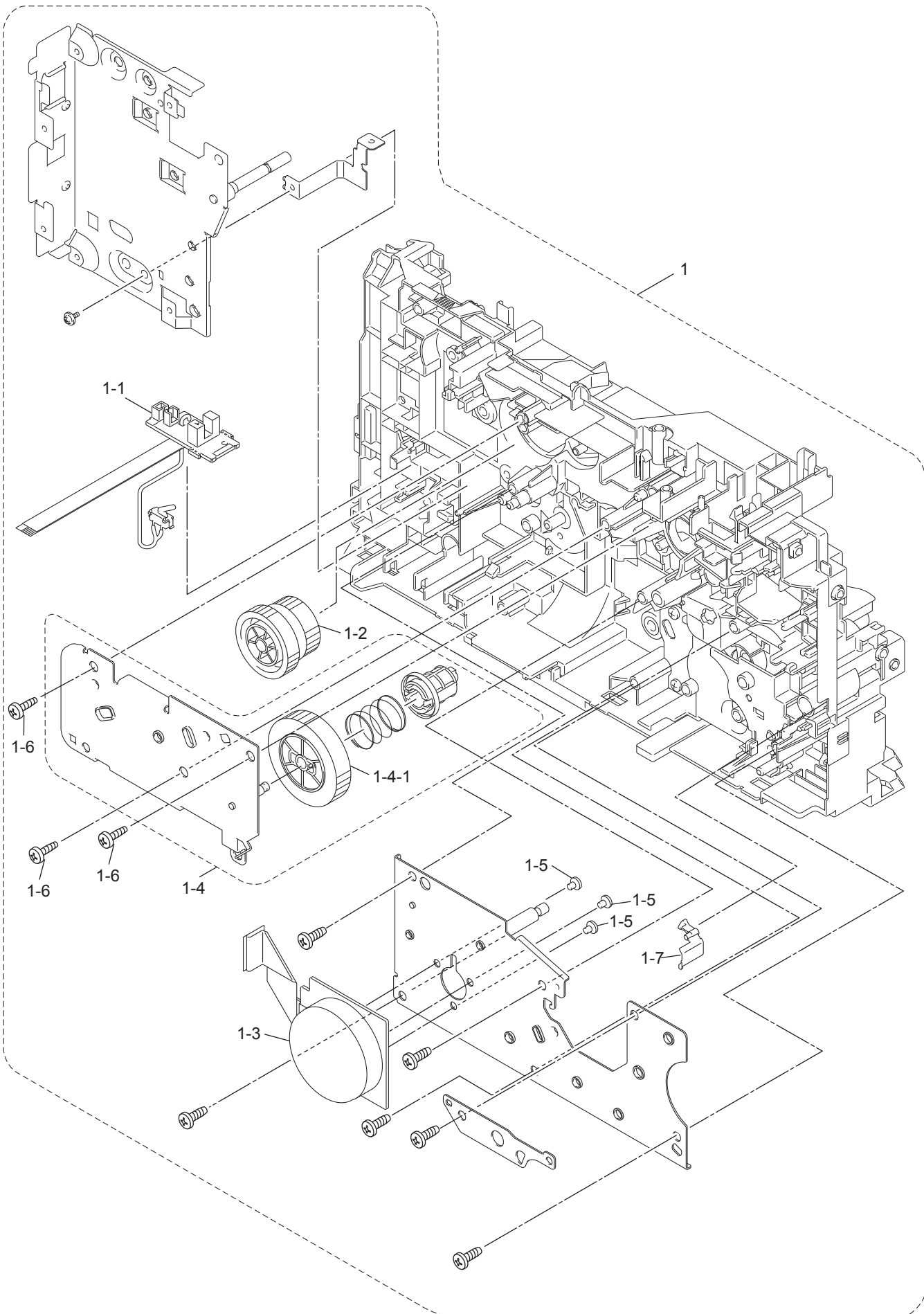
UK: U.K.

US: U.S.A.

CONTENTS

1.	<u>FRAME L & DRIVE UNIT</u>	1
2.	<u>PAPER FEEDER</u>	3
3.	<u>FRAME</u>	5
4.	<u>LASER UNIT</u>	7
5.	<u>DX</u>	9
6.	<u>PAPER CASSETTE</u>	11
7.	<u>FUSER UNIT</u>	13
8.	<u>COVERS & LABELS</u>	15
9.	<u>MAIN PCB</u>	18
10.	<u>LVPS</u>	20
11.	<u>HVPS</u>	22
12.	<u>AC CORDS</u>	24
13.	<u>ACCESSORIES</u>	26
14.	<u>PACKING MATERIALS</u>	30
15.	<u>PERIODICAL MAINTENANCE</u>	33

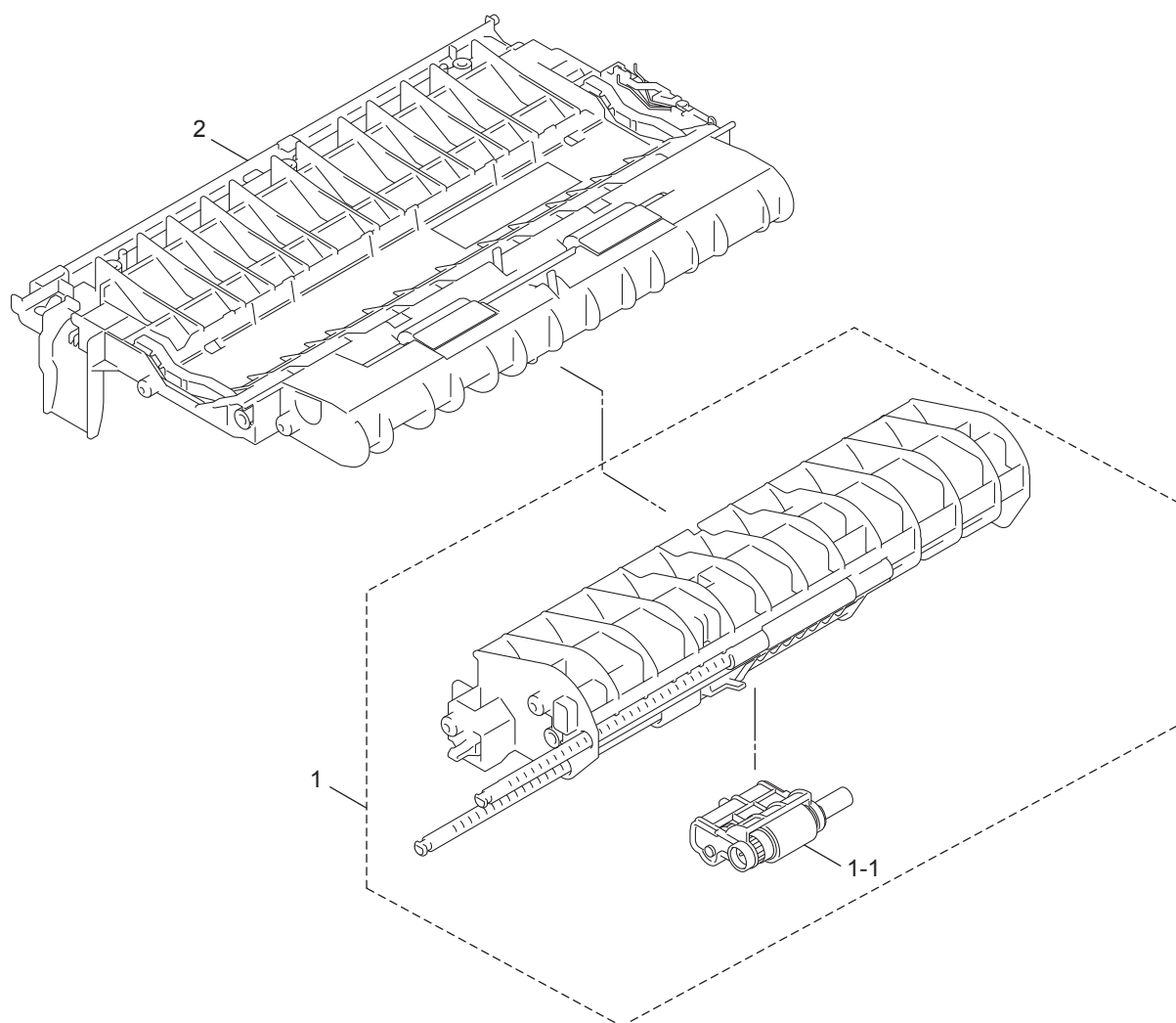
1. FRAME L & DRIVE UNIT



1. FRAME L & DRIVE UNIT

REF No.	CODE	Q'TY	DESCRIPTION	REMARKS
1	LY2290001	1	MAIN FRAME L ASSY, HL-2130 EXCEPT FOR CHN/RUS, HL-2132/2220/2230/2240	
1	LY3337001	1	MAIN FRAME L ASSY, HL-2130 FOR CHN/RUS	
1	LU1483001	1	MAIN FRAME L ASSY, HL-2135W	
1	LY2003001	1	MAIN FRAME L ASSY, HL-2240D/2242D	
1	LY2309001	1	MAIN FRAME L ASSY, HL-2250DN	
1	LY2448001	1	MAIN FRAME L ASSY, HL-2270DW/2275DW	
1-1	LV0579001	1	PAPER EJECT SENSOR PCB ASSY	
1-2	LY2010001	1	FUSER GEAR 28/34	
1-3	LY2054001	1	MAIN MOTOR	
1-4	LY2067001	1	DEVELOP DRIVE SUB ASSY	
1-4-1	LY2070001	1	DEV GEAR JOINT/52	
1-5	000300416	3	SCREW BIND M3X4	
1-6	LU5693001	3	TAPTITE BIND B M4X12	
1-7	LY2579001	1	FEEDER CAM LEVER	ADD

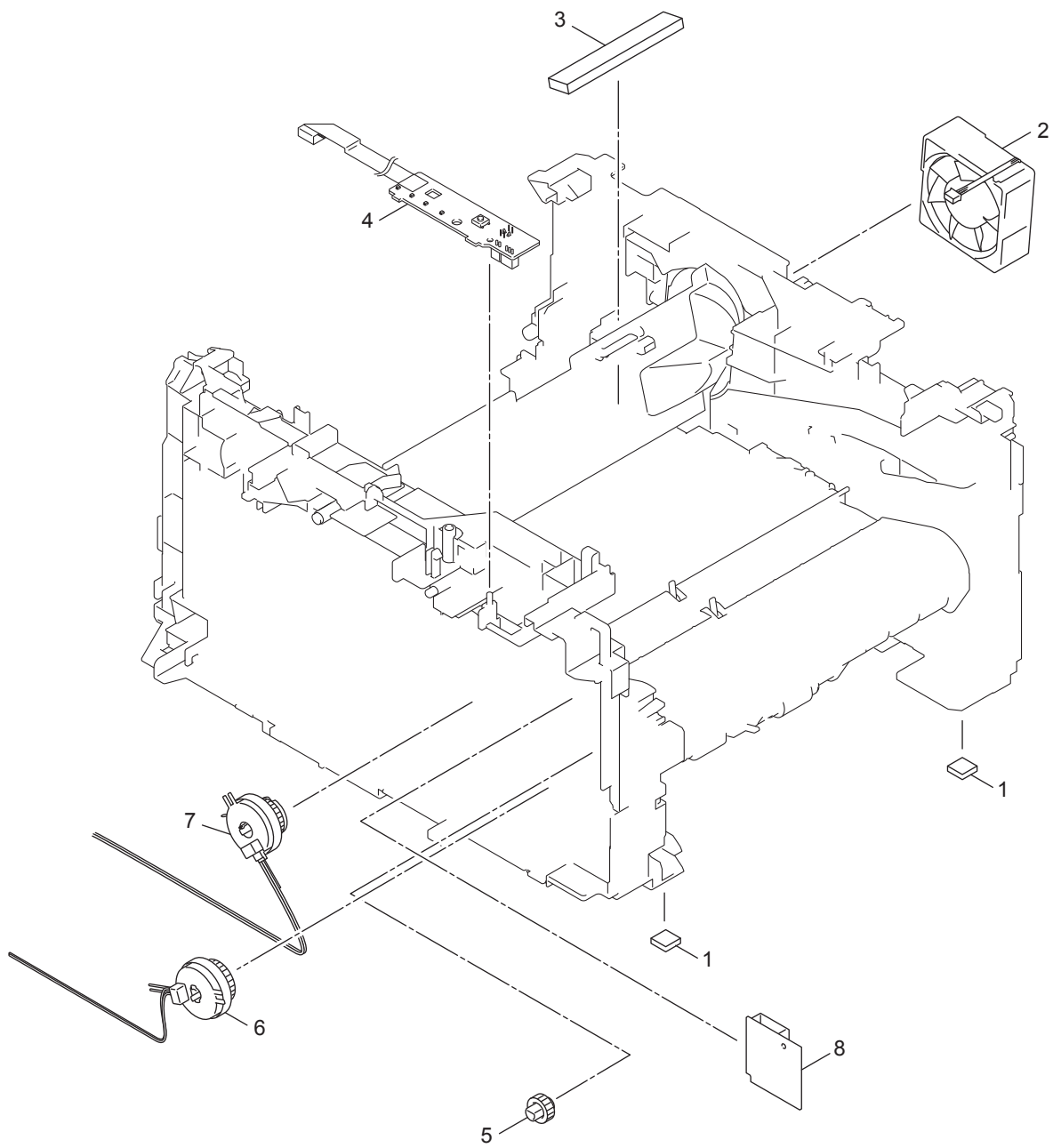
2. PAPER FEEDER



2. PAPER FEEDER

REF No.	CODE	Q'TY	DESCRIPTION	REMARKS
1	LY2087001	1	PF FRAME ASSY, HL-2130/2132/2135W/2220/2230/2240/2240D/2242D	
1	LY2312001	1	PF FRAME ASSY, HL-2250DN/2270DW/2275DW	
1-1	LY2093001	1	PICK-UP ROLLER HOLDER ASSY	
2	LY2482001	1	REGIST FRAME ASSY, HL-2130/2132/2135W/2220/2230/2240	
2	LY2101001	1	REGIST FRAME ASSY, HL-2240D/2242D/2250DN/2270DW/ 2275DW	

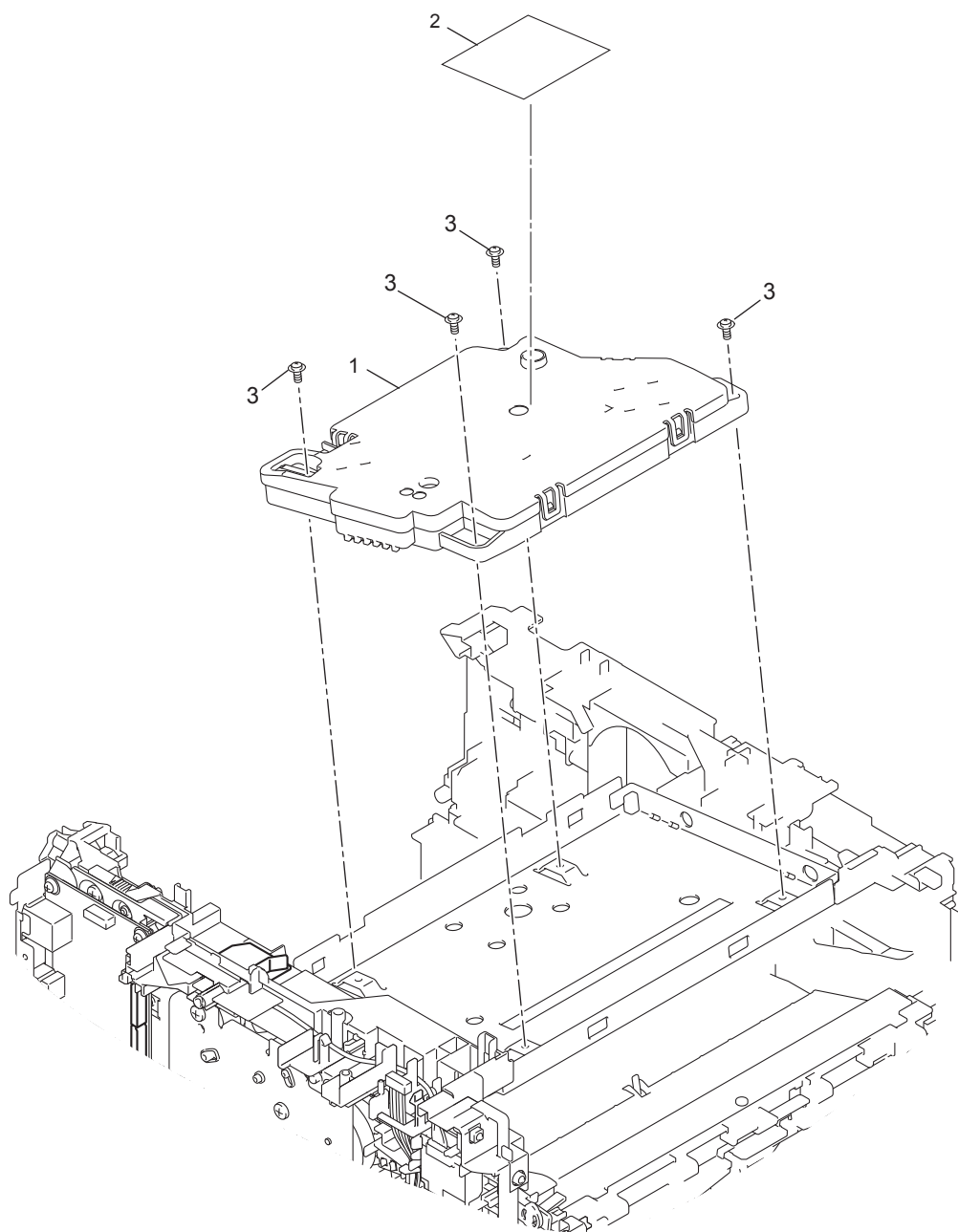
3. FRAME



3. FRAME

REF No.	CODE	Q'TY	DESCRIPTION	REMARKS
1	LJ7403001	2	RUBBER FOOT	
2	LY2136001	1	FUSER FAN	
3	LY2141001	1	FILTER	
4	LV0664001	1	PANEL PCB ASSY, HL-2130/2132/2135W/2220/2230/2240/2240D/2242D	
4	LV0580001	1	PANEL PCB ASSY, HL-2250DN/2270DW/2275DW	
5	LY2584001	1	FEEDER GEAR 17	
6	LY2144001	1	T1 CLUTCH ASSY	
7	LY2150001	1	REG CLUTCH ASSY	
8	LT2155001	1	WIRELESS LAN PCB ASSY, HL-2135W/2270DW/2275DW	CHG

4. LASER UNIT

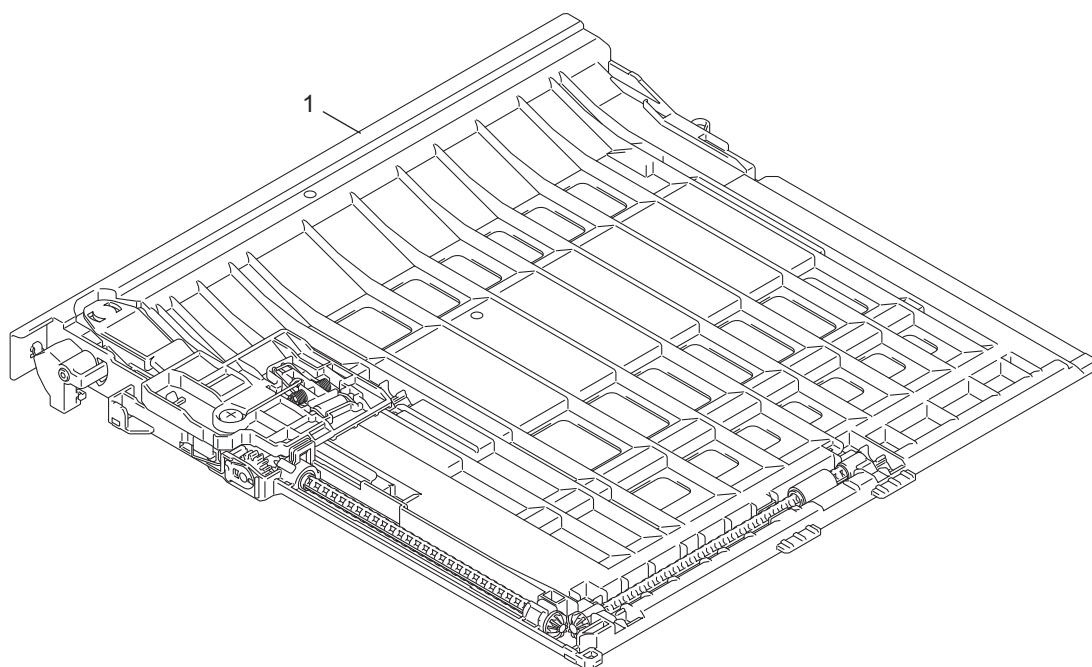


4. LASER UNIT

REF No.	CODE	Q'TY	DESCRIPTION	REMARKS
1	LY2566001	1	LASER UNIT (SP) (SH type) *1, HL-2130/2132/2135W/2220	
1	LY2514001	1	LASER UNIT (SP) (SF type) *1, HL-2230/2240/2240D/2242D/2250DN/2270DW	
1	LX5198001	1	LASER UNIT (SP) (SG type)*1(SJ type)*2, HL-2230/2240/2240D/2242D/2250DN/2270DW/2275DW	ADD
2	LU1259001	1	LABEL LASER CAUTION 75X100	
3	LP2378001	4	TAPTITE CUP S M3X8 SR	chg

*1 When replacing the Laser unit, open the front cover of the machine, check the first two characters of the Laser serial label attached on the Laser plate and order the same type of the Laser unit that was attached to the machine.

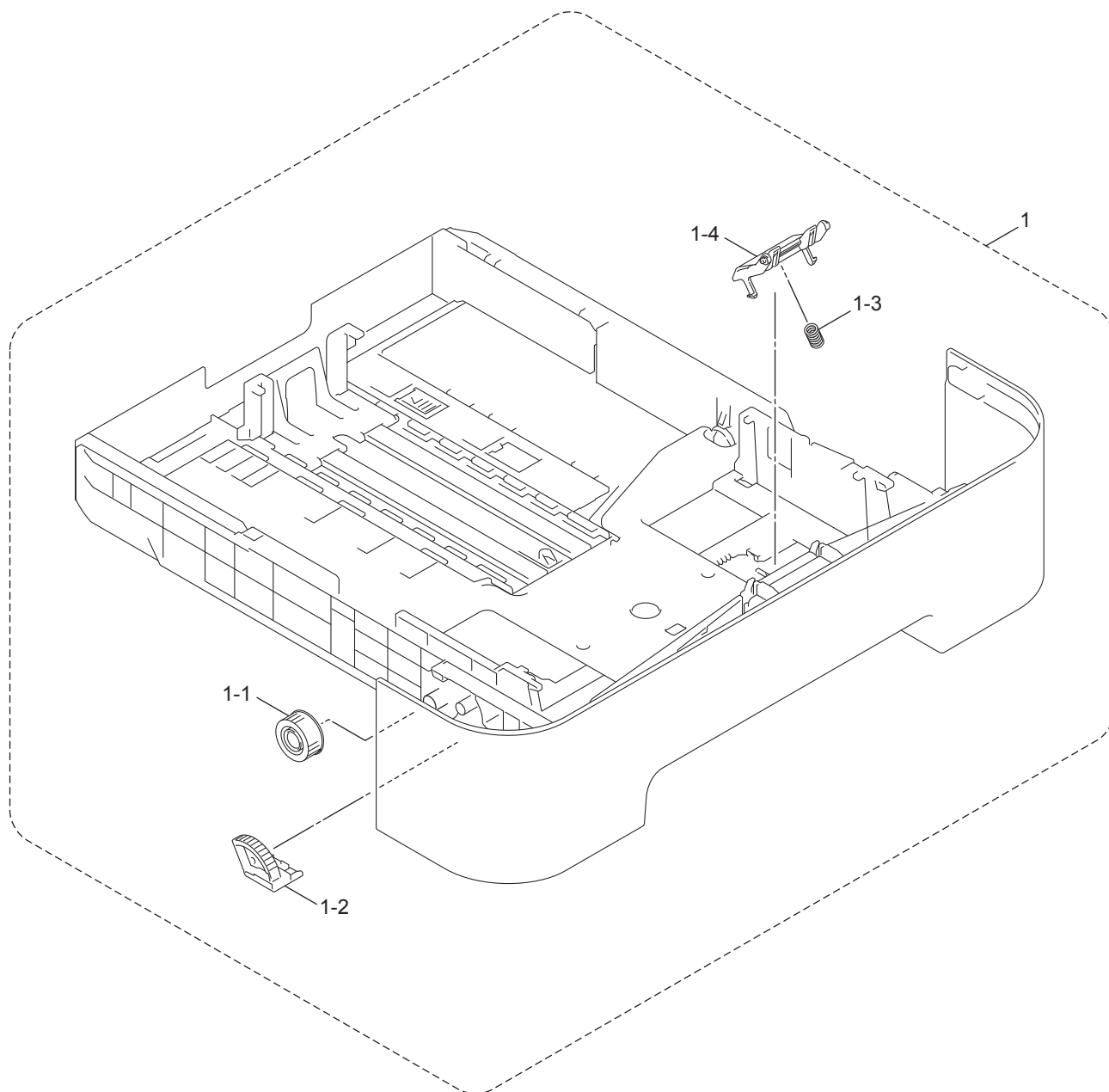
*2 SG type Laser unit is compatible with SJ type Laser unit.
Please refer to Parts Change Information: 1000027851 for detail.



5. DX

REF No.	CODE	Q'TY	DESCRIPTION	REMARKS
1	LY2166001	1	DUPLEX TRAY, HL-2240D/2270DW/2275DW FOR US/CAN/PHL/ARG/CHL/BRA	
1	LY2452001	1	DUPLEX TRAY, HL-2240D/2242D/2250DN/2270DW EXCEPT FOR US/CAN/PHL/ARG/CHL/BRA	

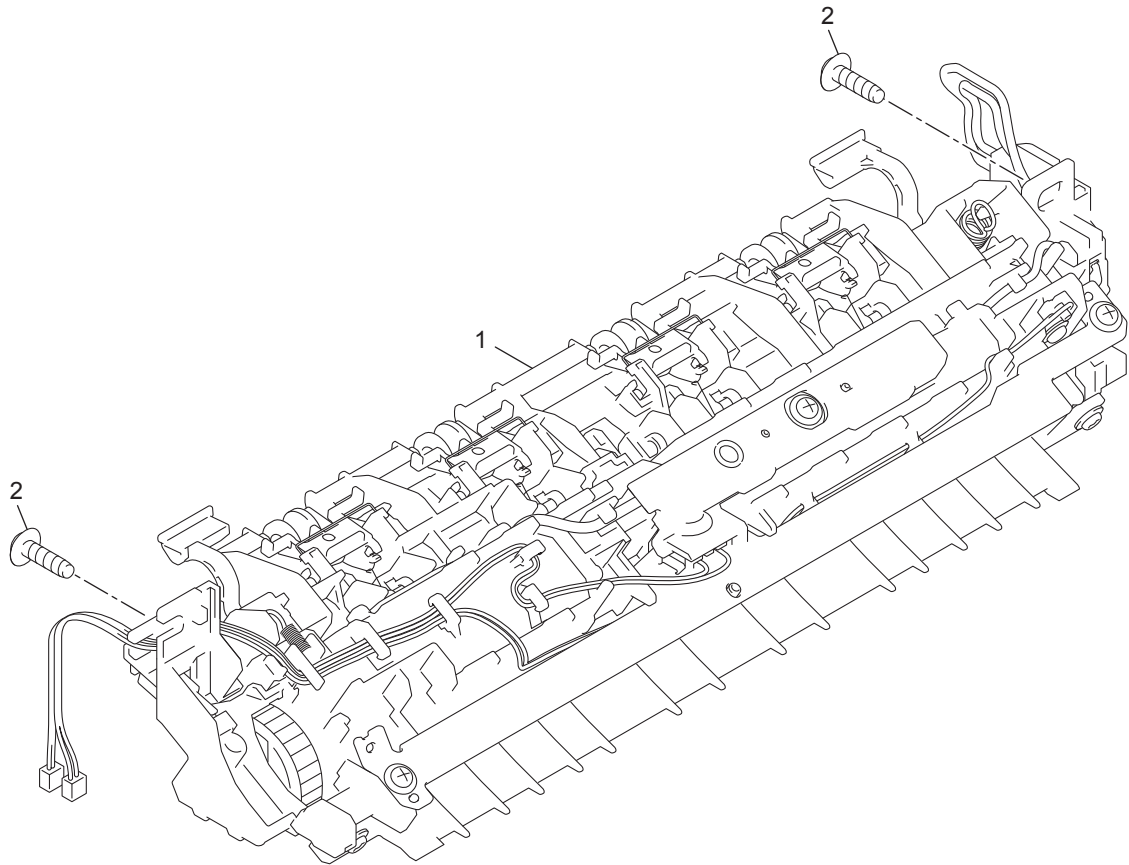
6. PAPER CASSETTE



6. PAPER CASSETTE

REF No.	CODE	Q'TY	DESCRIPTION	REMARKS
1	LY2567003	1	PAPER TRAY, HL-2130/2132/2135W EXCEPT FOR IDN/ARG/CHL/BRA/SGP/IND/MEX	
1	LY2190003	1	PAPER TRAY, HL-2130/2135W/2220 FOR US/TWN/IDN/ARG/CHL/BRA/SGP/IND/MEX	
1	LY2190001	1	PAPER TRAY, HL-2230/2240/2240D/2250DN/2270DW/2275DW FOR US/CAN/PHL/TWN/IDN/ARG/CHL/BRA/SGP/IND	
1	LY2567001	1	PAPER TRAY, HL-2230/2240/2240D/2242D/2250DN/2270DW EXCEPT FOR US/CAN/PHL/IDN/TWN/ARG/CHL/BRA/SGP/IND	
1-1	LR0252001	1	GEAR Z19M10	
1-2	LY2202001	1	LIFT GEAR 46	
1-3	LY2207001	1	SEPARATION PAD SPRING 2	
1-4	LY2208001	1	SEPARATION PAD ASSY	

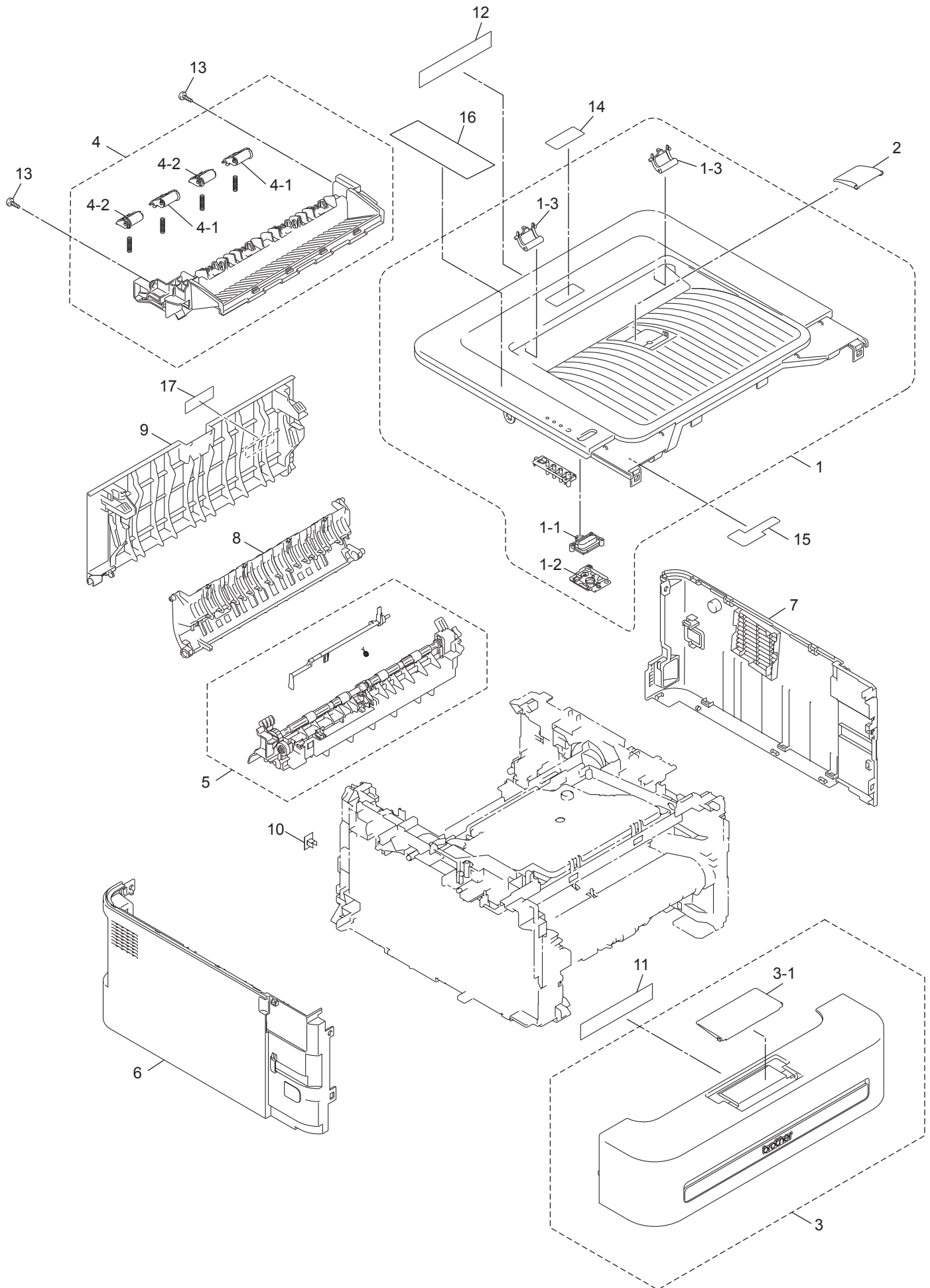
7. FUSER UNIT



7. FUSER UNIT

REF No.	CODE	Q'TY	DESCRIPTION	REMARKS
1	LY2487001	1	FUSER UNIT 115V (SP)	
1	LY3704001	1	FUSER UNIT 230V (SP) EXCEPT FOR CHN	CHG
1	LY3454001	1	FUSER UNIT 230V (SP) FOR CHN	
2	LJ0395001	2	TAPTITE PAN B M4X14	

8. COVERS & LABELS



8. COVERS&LABELS

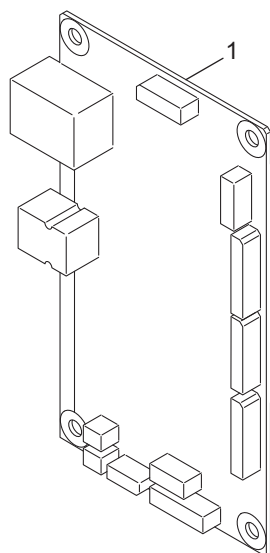
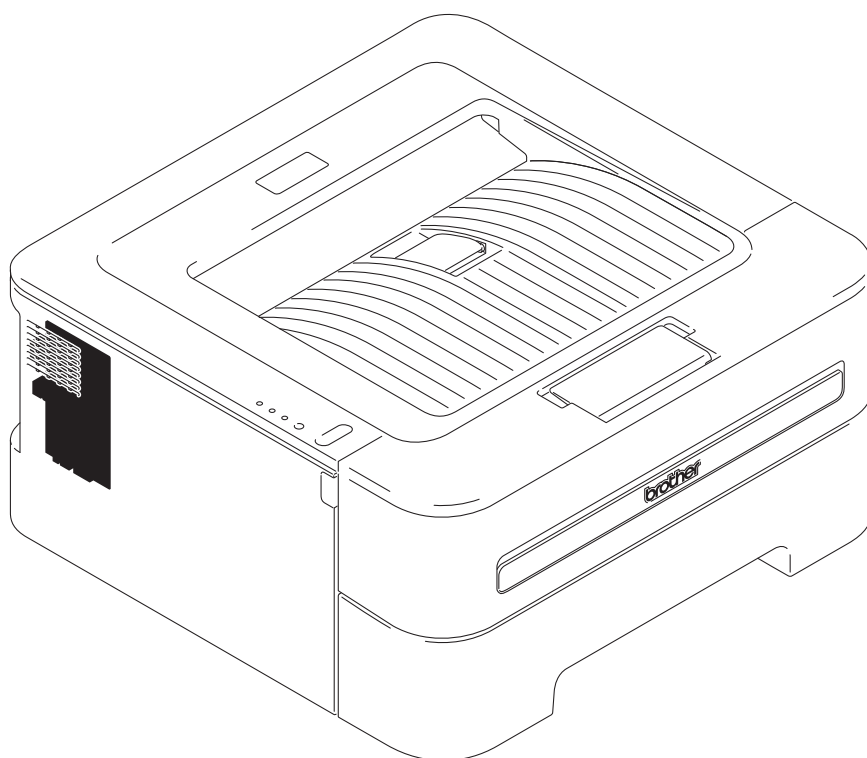
REF No.	CODE	Q'TY	DESCRIPTION	REMARKS
1	LY2301001	1	TOP COVER ASSY, HL-2130/2135W	
1	LY3029004	1	TOP COVER ASSY, HL-2132/2220	
1	LY3029003	1	TOP COVER ASSY, HL-2230	
1	LY3029001	1	TOP COVER ASSY, HL-2240	
1	LY2254001	1	TOP COVER ASSY, HL-2240D	
1	LY2254005	1	TOP COVER ASSY, HL-2242D	
1	LY2254002	1	TOP COVER ASSY, HL-2250DN/2270DW/2275DW	
1-1	LY2257003	1	SW KEY, HL-2130/2135W	
1-1	LY2455002	1	SW KEY, HL-2132/2220	
1-1	LY2455001	1	SW KEY, HL-2230/2240/2240D/2242D/2250DN/2270DW/2275DW	
1-2	LY2304001	1	SW KEY HOLDER, HL-2130/2135W	
1-3	LY2262001	2	PAPER STACK LEVER, HL-2130/2132/2135W/2220/2230/2240	
1-3	LY3026001	2	PAPER STACK LEVER, HL-2240D/2242D/2250DN/2270DW/2275DW	
2	LY2266003	1	SUPPORT FLAP 2, HL-2130/2135W/2230/2242D	
2	LY2266001	1	SUPPORT FLAP 2, HL-2132/2220/2240/2240D	
2	LY2266002	1	SUPPORT FLAP 2, HL-2250DN/2270DW/2275DW	
3	LY2305001	1	FRONT COVER ASSY, HL-2130/2132/2135W EXCEPT FOR CHN/IDN/GUL/SGP/KOR/IND/RUS	
3	LY3287001	1	FRONT COVER ASSY, HL-2130 FOR CHN	
3	LY3289001	1	FRONT COVER ASSY, HL-2130 FOR IDN/GUL/SGP/KOR/IND	
3	LY3793001	1	FRONT COVER ASSY, HL-2130 FOR RUS	
3	LY3447001	1	FRONT COVER ASSY, HL-2132 FOR RUS	
3	LY3082001	1	FRONT COVER ASSY, HL-2220	
3	LY2267001	1	FRONT COVER ASSY, HL-2230/2240/2240D/2242D/2250DN EXCEPT FOR CHN/PHL/IDN/GUL/SGP/KOR/RUS/IND	
3	LY3164001	1	FRONT COVER ASSY, HL-2240/2240D/2250DN FOR RUS	
3	LY3284001	1	FRONT COVER ASSY, HL-2240/2240D/2250DN FOR CHN	
3	LY3162001	1	FRONT COVER ASSY, HL-2240D/2250DN FOR PHL/IDN/GUL/SGP/KOR/IND	
3	LY2435001	1	FRONT COVER ASSY, HL-2270DW/2275DW EXCEPT FOR PHL/GUL/SGP/IND	
3	LY3160001	1	FRONT COVER ASSY, HL-2270DW FOR PHL/GUL/SGP/IND	
3-1	LY2274003	1	SUPPORT FLAP 1, HL-2130/2132/2135W/2220	
3-1	LY2274001	1	SUPPORT FLAP 1, HL-2230/2240/2240D/2242D/2250DN/2270DW/2275DW	
4	LY2275003	1	INNER CHUTE ASSY, HL-2130/2135W/2230/2242D	
4	LY2275001	1	INNER CHUTE ASSY, HL-2132/2220/2240/2240D	
4	LY2275002	1	INNER CHUTE ASSY, HL-2250DN/2270DW/2275DW	
4-1	LU2234001	2	EJECT PINCH ROLLER R ASSY	
4-2	LU2237001	2	EJECT PINCH ROLLER L ASSY	
5	LY2317001	1	FUSER COVER	
6	LY2283003	1	SIDE COVER L, HL-2130/2132/2135W/2220	
6	LY2283001	1	SIDE COVER L, HL-2230/2240/2240D/2242D/2250DN/2270DW/2275DW	
7	LY2284003	1	SIDE COVER R, HL-2130/2132/2135W/2220	
7	LY2284001	1	SIDE COVER R, HL-2230/2240/2240D/2242D/2250DN/2270DW/2275DW	
8	LY2285001	1	OUTER CHUTE ASSY	
9	LY2529001	1	BACK COVER ASSY, HL-2130/2132/2135W/2220	
9	LY2529002	1	BACK COVER ASSY, HL-2230/2240	
9	LY2287001	1	BACK COVER, HL-2240D/2242D/2250DN/2270DW/2275DW	
10	LY0872001	1	LAN PORT CAP, HL-2250DN/2270DW/2275DW	
11	LY3564001	1	LABEL PROCESS OP ARG 19X135, HL-2130/2135W FOR ARG/CHL/BRA/MEX	
11	LY2713001	1	LABEL PROCESS OP US 19X135, HL-2220/2230/2240/2240D/ 2270DW/2275DW FOR US/CAN/ARG/CHL/BRA	
11	LY2438001	1	LABEL PROCESS OP EUR 19X135 EXCEPT FOR US/CAN/ARG/CHL/BRA	
12	LY2439001	1	LABEL H CAUTION REAR 13X95	
13	LU5693001	2	TAPTITE BIND B M4X12	
14	LY2523001	1	MODEL PLATE, HL-2130 EXCEPT FOR RUS	
14	LY3578001	1	MODEL PLATE, HL-2130 FOR RUS	
14	LY3381001	1	MODEL PLATE, HL-2132 EXCEPT FOR RUS	
14	LY3426001	1	MODEL PLATE, HL-2132 FOR RUS	
14	LY3961001	1	MODEL PLATE, HL-2135W	
14	LY2908001	1	MODEL PLATE, HL-2220	
14	LY2562001	1	MODEL PLATE, HL-2230	
14	LY2689001	1	MODEL PLATE, HL-2240 EXCEPT FOR RUS	
14	LY3173001	1	MODEL PLATE, HL-2240 FOR RUS	
14	LY2436001	1	MODEL PLATE, HL-2240D EXCEPT FOR RUS	

HL-2130/2132/2135W/2220/2230/2240/
2240D/2242D/2250DN/2270DW/2275DW

8. COVERS&LABELS

REF No.	CODE	Q'TY	DESCRIPTION	REMARKS
14	LY3172001	1	MODEL PLATE, HL-2240D FOR RUS	
14	LY3375001	1	MODEL PLATE, HL-2242D	
14	LY2522001	1	MODEL PLATE, HL-2250DN EXCEPT FOR RUS	
14	LY3174001	1	MODEL PLATE, HL-2250DN FOR RUS	
14	LY2437001	1	MODEL PLATE, HL-2270DW	
14	LY3933001	1	MODEL PLATE, HL-2275DW	
15	LY2518001	1	LABEL TOP COVER FRONT EXCEPT FOR CHN	add
15	LY3565001	1	LABEL TOP COVER FRONT FOR CHN	
16	LY2723001	1	LED LABEL FOR US	add
16	LY3563001	1	LED LABEL, HL-2130/2132/2135W FOR ARL/NZ	
16	LY3562001	1	LED LABEL, HL-2240D/2242D/2250DN/2270DW FOR ARL/NZ	add
16	LY3559001	1	LED LABEL, HL-2130 FOR CHN	
16	LY3558001	1	LED LABEL, HL-2240/2240D/2250DN FOR CHN	
16	LY3561001	1	LED LABEL, HL-2130 FOR IDN/GUL/SGP/KOR/IND	
16	LY3560001	1	LED LABEL, HL-2240D/2250DN/2270DW FOR PHL/IDN/GUL/SGP/KOR/IND	add
17	LU9003001	1	LABEL AC CORD CAUTION FOR CHN	ADD

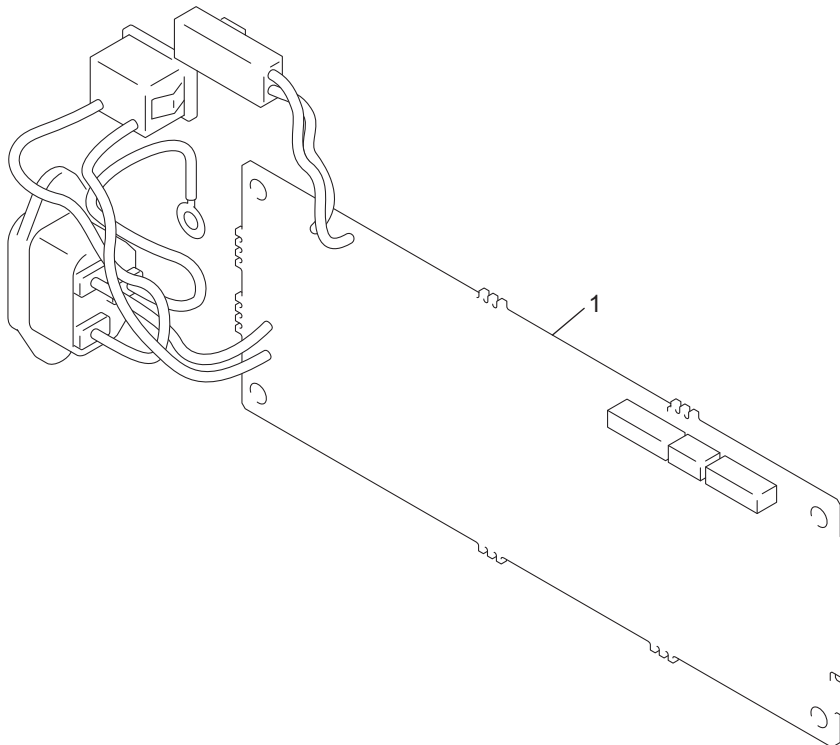
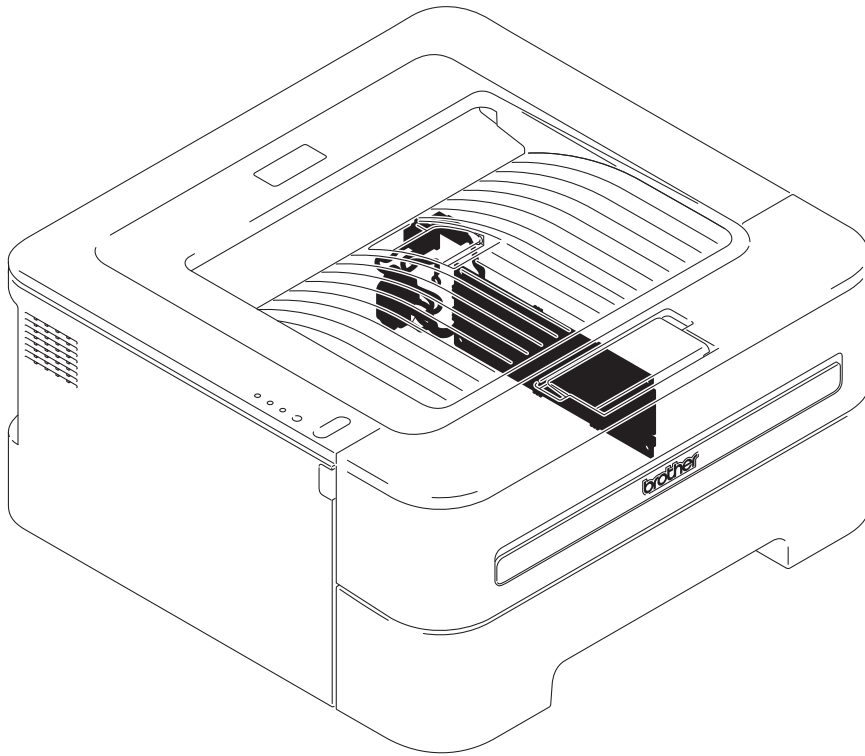
9. MAIN PCB



9. MAIN PCB

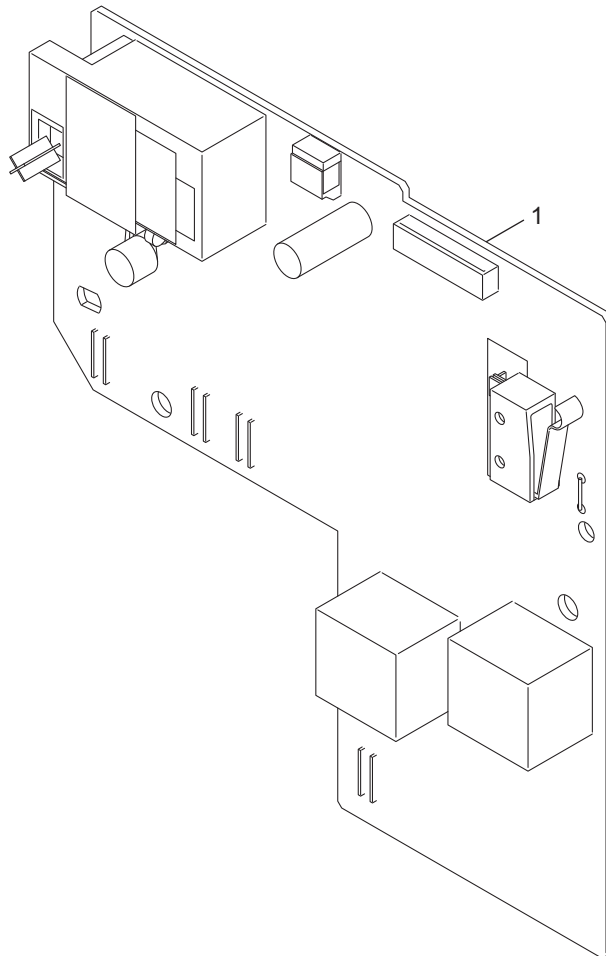
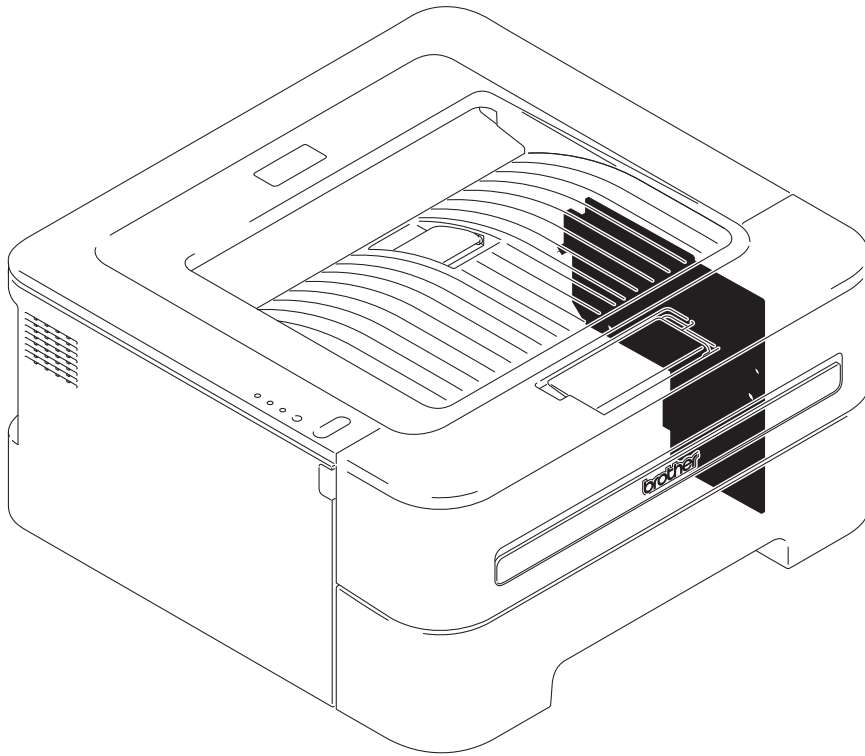
REF No.	CODE	Q'TY	DESCRIPTION	SYMBOL	REMARKS
1	LV0608001	1	MAIN PCB ASSY, HL-2130/2132 EXCEPT FOR CHN/IDN/GUL/SGP/KOR/IND/RUS	B512309	
1	LV0727001	1	MAIN PCB ASSY, HL-2130 FOR CHN/IDN/GUL/SGP/KOR/IND/RUS	B512309	
1	LV0971002	1	MAIN PCB ASSY, HL-2135W EXCEPT FOR MEX	B512362	
1	LV0971001	1	MAIN PCB ASSY, HL-2135W FOR MEX	B512362	
1	LV0669001	1	MAIN PCB ASSY, HL-2220	B512309	
1	LV0675001	1	MAIN PCB ASSY, HL-2230	B512309	
1	LV0662001	1	MAIN PCB ASSY, HL-2240	B512309	
1	LV0561001	1	MAIN PCB ASSY, HL-2240D/2242D	B512309	
1	LV0567001	1	MAIN PCB ASSY, HL-2250DN EXCEPT FOR CHN	B512314	
1	LV0567004	1	MAIN PCB ASSY, HL-2250DN FOR CHN	B512314	
1	LV0560001	1	MAIN PCB ASSY, HL-2270DW/2275DW FOR US/CAN/BRA	B512314	
1	LV0560002	1	MAIN PCB ASSY, HL-2270DW EXCEPT FOR US/CAN/BRA	B512314	

10. LVPS



10. LVPS

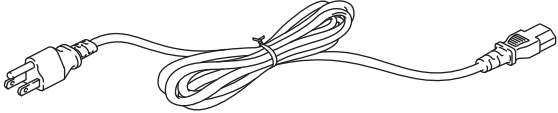



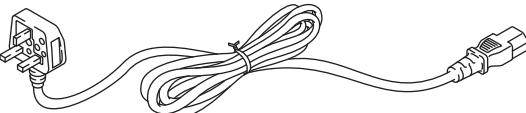


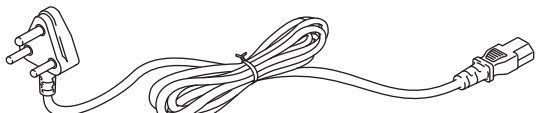






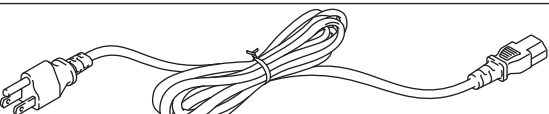
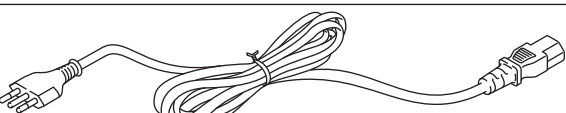
REF No.	CODE	Q'TY	DESCRIPTION	REMARKS
1	LV0583001	1	LOW VOLTAGE POWER SUPPLY PCB ASSY 115V EXCEPT FOR TWN	
1	LV0712001	1	LOW VOLTAGE POWER SUPPLY PCB ASSY 115V FOR TWN	
1	LV0847001	1	LOW VOLTAGE POWER SUPPLY PCB ASSY 230V EXCEPT FOR CHN/IND/RUS	CHG
1	LV0630001	1	LOW VOLTAGE POWER SUPPLY PCB ASSY 230V FOR CHN/IND/RUS	



11. HVPS

REF No.	CODE	Q'TY	DESCRIPTION	REMARKS
1	LV0564001	1	HIGHT VOLTAGE POWER SUPPLY PCB ASSY EXCEPT FOR HL-2240D/2250DN FOR KOR	
1	LV0741001	1	HIGHT VOLTAGE POWER SUPPLY PCB ASSY, HL-2240D/2250DN FOR KOR	ADD

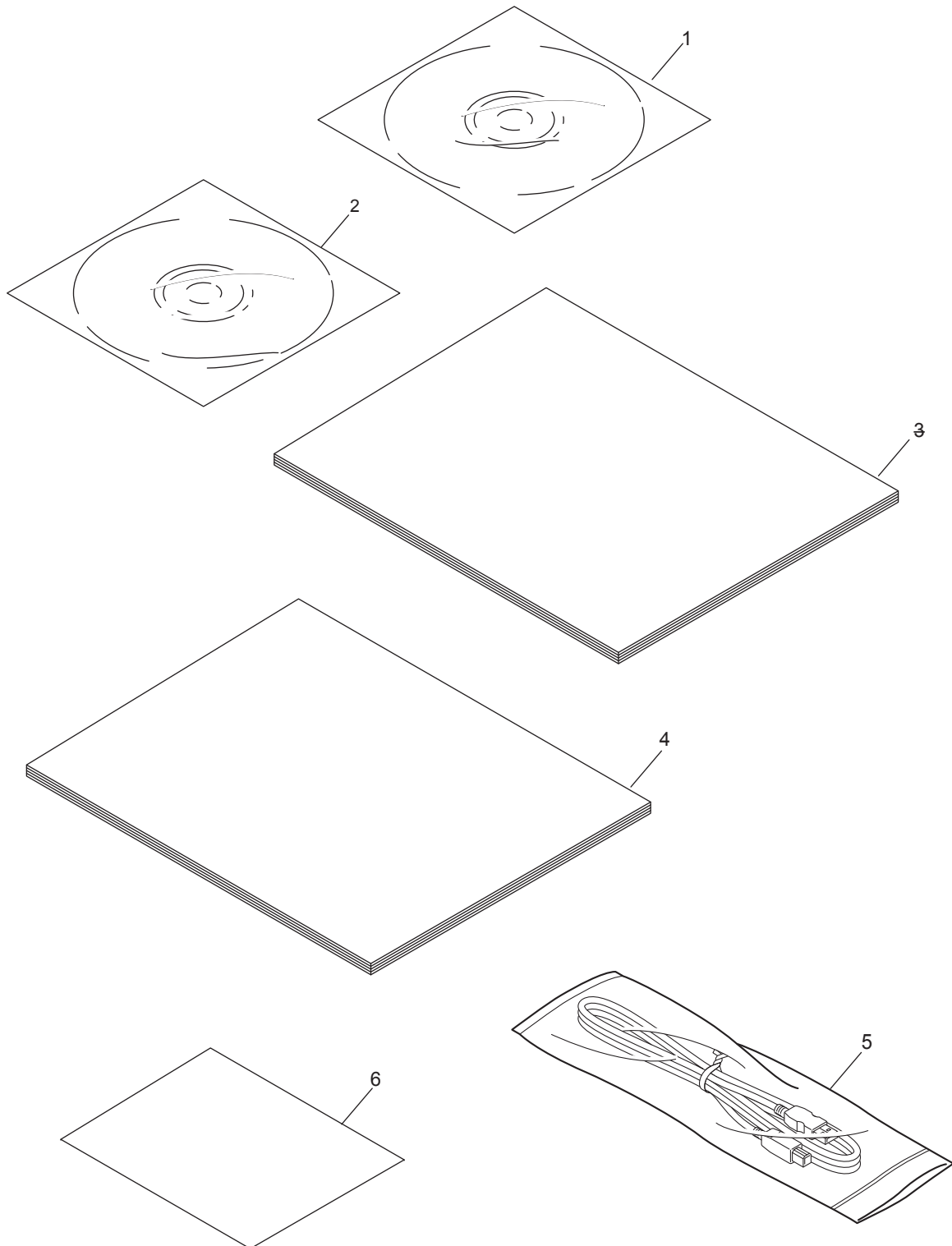
12. AC CORDS

1		10	
2		11	
3		12	
4		13	
5		14	
6		15	
7		16	
8			
9			

12. AC CORD

REF No.	CODE	Q'TY	DESCRIPTION	REMARKS
1	LJ9271001	1	AC CORD ASSY LF UL/CSA 10A	
2	LV0363001	1	AC CORD ASSY LF VDE S	
3	LV0367001	1	AC CORD ASSY LF BS/PSB S	
4	LV0946001	1	AC CORD ASSY LF SEV	chg
5	LJ9256001	1	AC CORD ASSY LF DEMKO	
6	LV0377001	1	AC CORD ASSY LF IRAM	
7	LJ9294001	1	AC CORD ASSY LF CHILE	
8	LV0388001	1	AC CORD BAG ASSY LF PERU	
9	LT2345001	1	AC CORD ASSY LF BRZ N	chg
10	LV0392001	1	AC CORD ASSY LF KOR S	
11	LV0365001	1	AC CORD LF SAA S	
12	LM9288001	1	AC CORD ASSY LF ISRAEL	add
13	LV0213001	1	AC CORD ASSY LF IND	
14	LV1092001	1	AC CORD ASSY LF CHN S	CHG
15	LJ9295001	1	AC CORD ASSY LF SOUTH AFRICA	
16	LM9147001	1	AC CORD ASSY LF TWN	

13. ACCESSORIES



13. ACCESSORIES

REF No.	CODE	Q'TY	DESCRIPTION	REMARKS
1	LY3966001	1	CDROM ASSY, HL-2130/2132/2135W/2220 EXCEPT FOR ISR/CHN/TWN/GUL/KOR/RUS/CEE FOR IDN/ARG/CHL/BRA/IND/MEX	chg
1	LU9066001	1	CDROM ASSY, HL-2130/2132/2135W/2220 FOR US/GER/UK/FRA/ARL/BEL/NLD/CHE/ITA/SGP/MEX/PND/IBR	add
1	LU1456001	1	CDROM ASSY, HL-2130/2135W FOR ISR/GUL/CEE, HL-2132 FOR	chg
1	LU9068001	1	CDROM ASSY, HL-2130/2135W FOR ISR/CEE, HL-2132 FOR RUS	add
1	LY2708001	1	CDROM ASSY, HL-2130 FOR CHN	
1	LY3021001	1	CDROM ASSY, HL-2130 FOR KOR	
1	LU9067001	1	CDROM ASSY, HL-2130 FOR RUS	chg
1	LY3019001	1	CDROM ASSY, HL-2220 FOR TWN	
1	LU9076001	1	CDROM ASSY, HL-2230/2240/2240D/2242D/2250DN/2270DW/2275DW EXCEPT FOR ISR/CHN/TWN/ARG/CHL/POL/GUL/KOR/RUS/CEE	chg
1	LU9075001	1	CDROM ASSY, HL-2240/2270DW FOR ARG/CHL	add
1	LU9078001	1	CDROM ASSY, HL-2240/2240D/2250DN/2270DW FOR ISR/POL/GUL/RUS/CEE	chg
1	LU9079001	1	CDROM ASSY, HL-2240/2240D/2250DN FOR CHN/TWN	chg
1	LU9081001	1	CDROM ASSY, HL-2240D/2250DN FOR KOR	chg
2	LY2690004	4	CD USER'S GUIDE, HL-2230/2240/2240D/2240D FOR US	del
2	LY2692004	4	CD USER'S GUIDE, HL-2240/2240D/2250DN EXCEPT FOR US, HL-2270DW EXCEPT FOR US/CAN	del
3	LY3326004	4	SAFETY/LEGAL BOOKLET, HL-2220 FOR US	DEL
3	LY2739004	4	SAFETY/LEGAL BOOKLET, HL-2230/2240/2240D/2270DW FOR US/CAN (ENGLISH)	DEL
3	LY2740004	4	SAFETY/LEGAL BOOKLET, HL-2230/2240/2240D/2270DW FOR CAN (FRENCH)	DEL
3	LY3318004	4	SAFETY/LEGAL BOOKLET, HL-2130 FOR GER/CHE (GERMAN)	DEL
3	LY2778004	4	SAFETY/LEGAL BOOKLET, HL-2240/2240D/2250DN/2270DW FOR GER/CHE (GERMAN)	DEL
3	LY3319004	4	SAFETY/LEGAL BOOKLET, HL-2130/2132 FOR UK	DEL
3	LY2777004	4	SAFETY/LEGAL BOOKLET, HL-2240/2240D/2250DN/2270DW FOR UK/ISR	DEL
3	LY2771004	4	SAFETY/LEGAL BOOKLET FOR ARL/NZ/PHL/SGP	DEL
3	LY3324004	4	SAFETY/LEGAL BOOKLET, HL-2130 FOR CHE/FRA/BEL/NLD (FRENCH)	DEL
3	LY2779004	4	SAFETY/LEGAL BOOKLET, HL-2240/2240D/2250DN/2270DW FOR CHE/FRA/BEL/NLD (FRENCH)	DEL
3	LY3322004	4	SAFETY/LEGAL BOOKLET, HL-2130 FOR ITA	DEL
3	LY2780004	4	SAFETY/LEGAL BOOKLET, HL-2240D/2250DN/2270DW FOR ITA	DEL
3	LY2784004	4	SAFETY/LEGAL BOOKLET, HL-2240/2240D/2250DN/2270DW FOR ARG/CHL/IBR (SPANISH)	DEL
3	LY2741004	4	SAFETY/LEGAL BOOKLET FOR BRA	DEL
3	LY2773004	4	SAFETY/LEGAL BOOKLET FOR KOR	DEL
3	LY2785004	4	SAFETY/LEGAL BOOKLET FOR RUS	DEL
3	LY3335004	4	SAFETY/LEGAL BOOKLET, HL-2130 FOR FRA/BEL/NLD (DUTCH)	DEL
3	LY2783004	4	SAFETY/LEGAL BOOKLET, HL-2240/2240D/2250DN/2270DW FOR FRA/BEL/NLD (DUTCH)	DEL
3	LY3324004	4	SAFETY/LEGAL BOOKLET, HL-2130/2132 FOR PND	DEL
3	LY2784004	4	SAFETY/LEGAL BOOKLET, HL-2240/2240D/2250DN/2270DW FOR PND	DEL
3	LY3325004	4	SAFETY/LEGAL BOOKLET, HL-2130 FOR IBR (SPANISH)	DEL
3	LY3336004	4	SAFETY/LEGAL BOOKLET, HL-2130 FOR IBR (PORTUGUESE)	DEL
3	LY2782004	4	SAFETY/LEGAL BOOKLET, HL-2240/2240D/2250DN/2270DW FOR IBR (PORTUGUESE)	DEL
3	LY2786004	4	SAFETY/LEGAL BOOKLET FOR POL/CEE	DEL
4	LY3316004	4	SETUP GUIDE, HL-2130/2132/2220/2230/2240/2240D/2242D/ 2250DN FOR US/CAN/UK/ARL/NZ/ISR/PHL/IDN/SGP/IND/CEE, HL-2130/2240D FOR GUL (ENGLISH)	
4	LY3123004	4	SETUP GUIDE, HL-2230/2240/2240D/2250DN FOR US/CAN/UK/ARL/NZ/ISR/PHL/SGP/CEE (ENGLISH)	del
4	LY3124004	4	SETUP GUIDE, HL-2270DW FOR US/CAN/UK/ARL/NZ/PHL/GUL/SGP/IND (ENGLISH)	del
4	LY3125001	1	SETUP GUIDE, HL-2230/2240/2240D FOR CAN (FRENCH)	
4	LY3126001	1	SETUP GUIDE, HL-2270DW FOR CAN (FRENCH)	
4	LY3315001	1	SETUP GUIDE, HL-2130/2240/2240D/2250DN FOR GER/CHE (GERMAN)	
4	LY3963001	1	SETUP GUIDE, HL-2135W/2270DW FOR GER/CHE (GERMAN)	
4	LY3127004	4	SETUP GUIDE, HL-2240/2240D/2250DN FOR GER/CHE (GERMAN)	del
4	LY3128004	4	SETUP GUIDE, HL-2270DW FOR GER/CHE (GERMAN)	del

HL-2130/2132/2135W/2220/2230/2240/
2240D/2242D/2250DN/2270DW/2275DW

13. ACCESSORIES

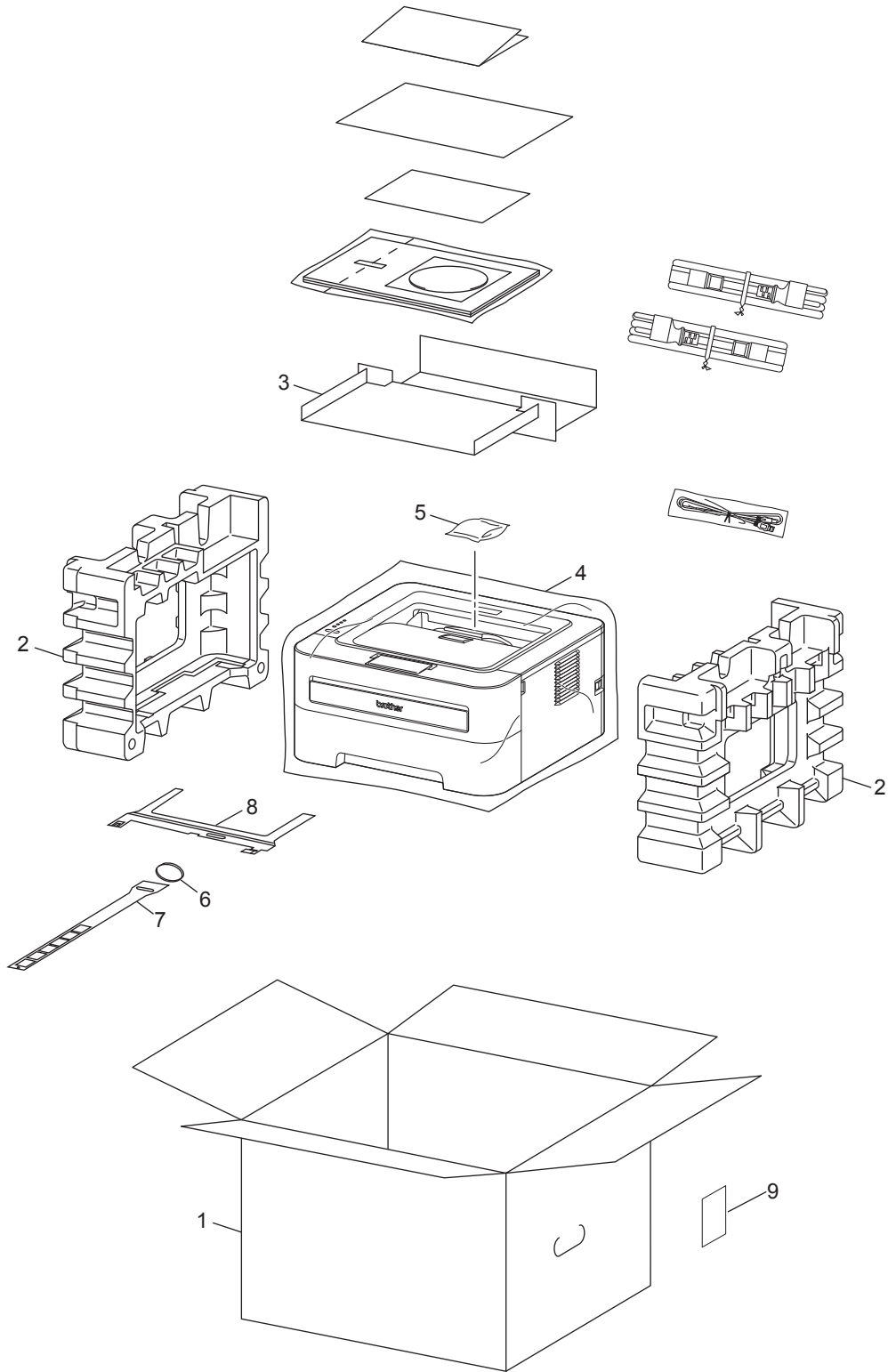
REF No.	CODE	Q'TY	DESCRIPTION	REMARKS
4	LY3946001	1	SETUP GUIDE, HL-2135W FOR UK/ARL/ISR, HL-2270DW/2275DW FOR US/CAN/UK/ARL/NZ/PHL/GUL/SGP/IND (ENGLISH)	
4	LY3327001	1	SETUP GUIDE, HL-2130/2240/2240D/2250DN FOR CHE/FRA/BEL/NLD (FRENCH)	
4	LY3129004	4	SETUP GUIDE, HL-2240/2240D/2250DN FOR CHE/FRA/BEL/NLD (FRENCH)	del
4	LY3130004	4	SETUP GUIDE, HL-2270DW FOR CHE/FRA/BEL/NLD (FRENCH)	del
4	LY3328001	1	SETUP GUIDE, HL-2130/2240/2240D/2250DN FOR CHE/ITA (ITALIAN)	add
4	LY3995001	1	SETUP GUIDE, HL-2135W/2270DW FOR CHE/ITA (ITALIAN)	
4	LY3132004	4	SETUP GUIDE, HL-2270DW FOR CHE/ITA (ITALIAN)	del
4	LY3131004	4	SETUP GUIDE, HL-2240D/2250DN FOR ITA	del
4	LY3571004	4	SETUP GUIDE, HL-2130/2240D/2250DN FOR CHN	del
4	LY3953001	1	SETUP GUIDE, HL-2130/2240/2240D/2250DN FOR CHN	
4	LY2789001	1	SETUP GUIDE, HL-2220/2240D FOR TWN	
4	LY3317001	1	SETUP GUIDE, HL-2130/2240/2240D/2250DN FOR ARG/CHL/MEX/IBR (SPANISH)	
4	LY3133004	4	SETUP GUIDE, HL-2240/2240D/2250DN FOR ARG/CHL/IBR (SPANISH)	del
4	LY3134004	4	SETUP GUIDE, HL-2270DW FOR ARG/CHL/IBR (SPANISH)	del
4	LY3334001	1	SETUP GUIDE, HL-2130/2240/2240D/2250DN FOR IBR (PORTUGUESE)	
4	LY3135004	4	SETUP GUIDE, HL-2240/2240D/2250DN FOR IBR (PORTUGUESE)	del
4	LY3136004	4	SETUP GUIDE, HL-2270DW FOR IBR (PORTUGUESE)	del
4	LY3742001	1	SETUP GUIDE, HL-2130/2240D FOR GUL (ARABIC)	
4	LY3455001	1	SETUP GUIDE, HL-2130/2240D/2250DN FOR GUL (TURKISH)	
4	LY2792001	1	SETUP GUIDE, HL-2270DW FOR GUL (TURKISH)	
4	LY3741001	1	SETUP GUIDE, HL-2270DW FOR GUL (ARABIC)	
4	LY2770001	1	SETUP GUIDE, HL-2270DW FOR POL	
4	LY3430001	1	SETUP GUIDE, HL-2130/2240 FOR BRA	chg
4	LY2738001	1	SETUP GUIDE, HL-2270DW FOR BRA	chg
4	LY3570001	1	SETUP GUIDE, HL-2130/2240D/2250DN FOR KOR	chg
4	LY3449001	1	SETUP GUIDE, HL-2130/2132/2240/2240D/2250DN FOR RUS	chg
4	LY3329001	1	SETUP GUIDE, HL-2130/2240/2240D/2250DN FOR FRA/BEL/NLD (DUTCH)	
4	LY3990001	1	SETUP GUIDE, HL-2135W/2270DW FOR CHE/FRA/BEL/NLD (FRENCH)	
4	LY3991001	1	SETUP GUIDE, HL-2135W/2270DW FOR FRA/BEL/NLD (DUTCH)	
4	LY3137004	4	SETUP GUIDE, HL-2240/2240D/2250DN FOR FRA/BEL/NLD (DUTCH)	del
4	LY3138004	4	SETUP GUIDE, HL-2270DW FOR FRA/BEL/NLD (DUTCH)	del
4	LY3330001	1	SETUP GUIDE, HL-2130/2132/2240/2240D/2250DN FOR PND (NORWEGIAN)	
4	LY3143004	4	SETUP GUIDE, HL-2240/2240D/2250DN FOR PND (NORWEGIAN)	del
4	LY3144004	4	SETUP GUIDE, HL-2270DW FOR PND (NORWEGIAN)	del
4	LY3331001	1	SETUP GUIDE, HL-2130/2132/2240/2240D/2250DN FOR PND (SWEDISH)	
4	LY3146004	4	SETUP GUIDE, HL-2240/2240D/2250DN FOR PND (SWEDISH)	del
4	LY3145004	4	SETUP GUIDE, HL-2270DW FOR PND (SWEDISH)	del
4	LY3332001	1	SETUP GUIDE, HL-2130/2132/2240/2240D/2250DN FOR PND (FINNISH)	
4	LY3139004	4	SETUP GUIDE, HL-2240/2240D/2250DN FOR PND (FINNISH)	del
4	LY3140004	4	SETUP GUIDE, HL-2270DW FOR PND (FINNISH)	del
4	LY3333001	1	SETUP GUIDE, HL-2130/2132/2240/2240D/2250DN FOR PND (DANISH)	
4	LY3998001	1	SETUP GUIDE, HL-2135W/2270DW FOR PND (NORWEGIAN)	
4	LY3999001	1	SETUP GUIDE, HL-2135W/2270DW FOR PND (SWEDISH)	
4	LU1450001	1	SETUP GUIDE, HL-2135W/2270DW FOR PND (FINNISH)	
4	LU1451001	1	SETUP GUIDE, HL-2135W/2270DW FOR PND (DANISH)	
4	LY3141004	4	SETUP GUIDE, HL-2240/2240D/2250DN FOR PND (DANISH)	del
4	LY3142004	4	SETUP GUIDE, HL-2270DW FOR PND (DANISH)	del
4	LY3983001	1	SETUP GUIDE, HL-2135W/2270DW FOR ARG/CHL/MEX/IBR (SPANISH)	
4	LY3984001	1	SETUP GUIDE, HL-2135W/2270DW FOR IBR (PORTUGUESE)	
4	LY3581001	1	SETUP GUIDE, HL-2130/2240/2240D/2250DN FOR CEE (ROMANIAN/SLOVAK)	chg
4	LY3588001	1	SETUP GUIDE, HL-2130/2240/2240D/2250DN FOR CEE (POLISH/BULGARIAN)	chg
4	LY3582001	1	SETUP GUIDE, HL-2130/2240/2240D/2250DN FOR CEE (CZECH/HUNGARIAN)	chg
4	LU1452001	1	SETUP GUIDE, HL-2135W FOR CEE (BULGARIAN/ROMANIAN/SLOVAK)	
4	LU1453001	1	SETUP GUIDE, HL-2135W FOR CEE (ENGLISH/CZECH/HUNGARIAN/POLISH)	

HL-2130/2132/2135W/2220/2230/2240/
2240D/2242D/2250DN/2270DW/2275DW

13. ACCESSORIES

REF No.	CODE	Q'TY	DESCRIPTION	REMARKS
5	LJ9803001	1	USB CABLE 2.0	
6	LY3027001	1	FRENCH PANEL STICKER FOR CAN	

14. PACKING MATERIALS



14. PACKING MATERIALS

REF No.	CODE	Q'TY	DESCRIPTION	REMARKS
1	LY2801001	1	CARTON, HL-2220 FOR US	
1	LY2803001	1	CARTON CN, HL-2230 FOR US	
1	LY3599001	1	CARTON VN, HL-2230 FOR US	add
1	LY2811001	1	CARTON CN, HL-2240 FOR US	
1	LY3603001	1	CARTON VN, HL-2240 FOR US	add
1	LY2807001	1	CARTON CN, HL-2240D FOR US	
1	LY3601001	1	CARTON VN, HL-2240D FOR US	add
1	LY2817001	1	CARTON CN, HL-2270DW FOR US	
1	LY3606001	1	CARTON VN, HL-2270DW FOR US	add
1	LY3936001	1	CARTON, HL-2275DW FOR US	
1	LY2806001	1	CARTON CN, HL-2230 FOR CAN	
1	LY3600001	1	CARTON VN, HL-2230 FOR CAN	add
1	LY2814001	1	CARTON CN, HL-2240 FOR CAN	
1	LY3604001	1	CARTON VN, HL-2240 FOR CAN	add
1	LY2810001	1	CARTON CN, HL-2240D FOR CAN	
1	LY3602001	1	CARTON VN, HL-2240D FOR CAN	add
1	LY2820001	1	CARTON CN, HL-2270DW FOR CAN	
1	LY3608001	1	CARTON VN, HL-2270DW FOR CAN	add
1	LY2825001	1	CARTON, HL-2130 FOR GER/CHE	
1	LY3967001	1	CARTON, HL-2135W FOR GER/CHE	
1	LY2835001	1	CARTON CN, HL-2240 FOR GER/CHE	
1	LY3611001	1	CARTON VN, HL-2240 FOR GER/CHE	add
1	LY2843001	1	CARTON CN, HL-2240D FOR GER/CHE	
1	LY3615001	1	CARTON VN, HL-2240D FOR GER/CHE	add
1	LY2851001	1	CARTON CN, HL-2250DN FOR GER/CHE	
1	LY3619001	1	CARTON VN, HL-2250DN FOR GER/CHE	add
1	LY2857001	1	CARTON CN, HL-2270DW	
1	LY3622001	1	CARTON VN, HL-2270DW FOR GER/UK/CHE/ITA/IBR/POL/FRA/BEL/NLD/PND	add
1	LY2823001	1	CARTON, HL-2130 FOR UK/ISR/PND/CEE	
1	LY3973001	1	CARTON, HL-2135W FOR UK/ISR/PND/CEE	
1	LY2831001	1	CARTON, HL-2132 FOR UK	
1	LY2833001	1	CARTON CN, HL-2240 FOR UK/ISR/PND/CEE	
1	LY3610001	1	CARTON VN, HL-2240 FOR UK/ISR/PND/CEE	add
1	LY2841001	1	CARTON CN, HL-2240D FOR UK/ISR/PND/CEE	
1	LY3614001	1	CARTON VN, HL-2240D FOR UK/ISR/PND/CEE	add
1	LY2849001	1	CARTON CN, HL-2250DN FOR UK/ISR/PND/CEE	
1	LY3618001	1	CARTON VN, HL-2250DN FOR UK/ISR/PND/CEE	add
1	LU1569001	1	CARTON, HL-2130 FOR ARL/NZ	chg
1	LU1460001	1	CARTON, HL-2135W FOR ARL/NZ	
1	LU1584001	1	CARTON, HL-2132 FOR ARL/NZ	chg
1	LY3034001	1	CARTON CN, HL-2240D FOR ARL/NZ	
1	LU1636001	1	CARTON VN, HL-2240D FOR ARL/NZ	add
1	LY3379001	1	CARTON CN, HL-2242D FOR ARL	
1	LU1634001	1	CARTON VN, HL-2242D FOR ARL	add
1	LY3032001	1	CARTON CN, HL-2250DN FOR ARL/NZ	
1	LU1629001	1	CARTON VN, HL-2250DN FOR ARL/NZ	add
1	LY3059001	1	CARTON CN, HL-2270DW FOR ARL/NZ	
1	LU1631001	1	CARTON VN, HL-2270DW FOR ARL/NZ	add
1	LY2829001	1	CARTON, HL-2130 FOR ITA/IBR	
1	LY3987001	1	CARTON, HL-2135W FOR ITA/IBR	
1	LY2848001	1	CARTON CN, HL-2240D FOR ITA/IBR	
1	LY3617001	1	CARTON VN, HL-2240D FOR ITA/IBR	add
1	LY2855001	1	CARTON CN, HL-2250DN FOR ITA/IBR	
1	LY3621001	1	CARTON VN, HL-2250DN FOR ITA/IBR	add
1	LY3575001	1	CARTON, HL-2130 FOR CHN	
1	LU9373001	1	CARTON, HL-2240 FOR CHN	CHG
1	LU9370001	1	CARTON CN, HL-2240D FOR CHN	CHG
1	LY3899001	1	CARTON VN, HL-2240D FOR CHN	add
1	LU9372001	1	CARTON, HL-2250DN FOR CHN	CHG
1	LY3033001	1	CARTON CN, HL-2240D FOR PHL/IDN/SGP	
1	LU1587001	1	CARTON VN, HL-2240D FOR PHL/IDN/SGP	add
1	LY3063001	1	CARTON CN, HL-2270DW FOR PHL/SGP	
1	LU1602001	1	CARTON VN, HL-2270DW FOR SGP	add
1	LU1602001	1	CARTON VN, HL-2270DW FOR PHL	add
1	LY3444001	1	CARTON, HL-2220 FOR TWN	
1	LY3363001	1	CARTON, HL-2240D FOR TWN	
1	LY2798001	1	CARTON, HL-2130 FOR ARG/CHL	
1	LU9188001	1	CARTON, HL-2130 FOR ARG	add

HL-2130/2132/2135W/2220/2230/2240/
2240D/2242D/2250DN/2270DW/2275DW

14. PACKING MATERIALS

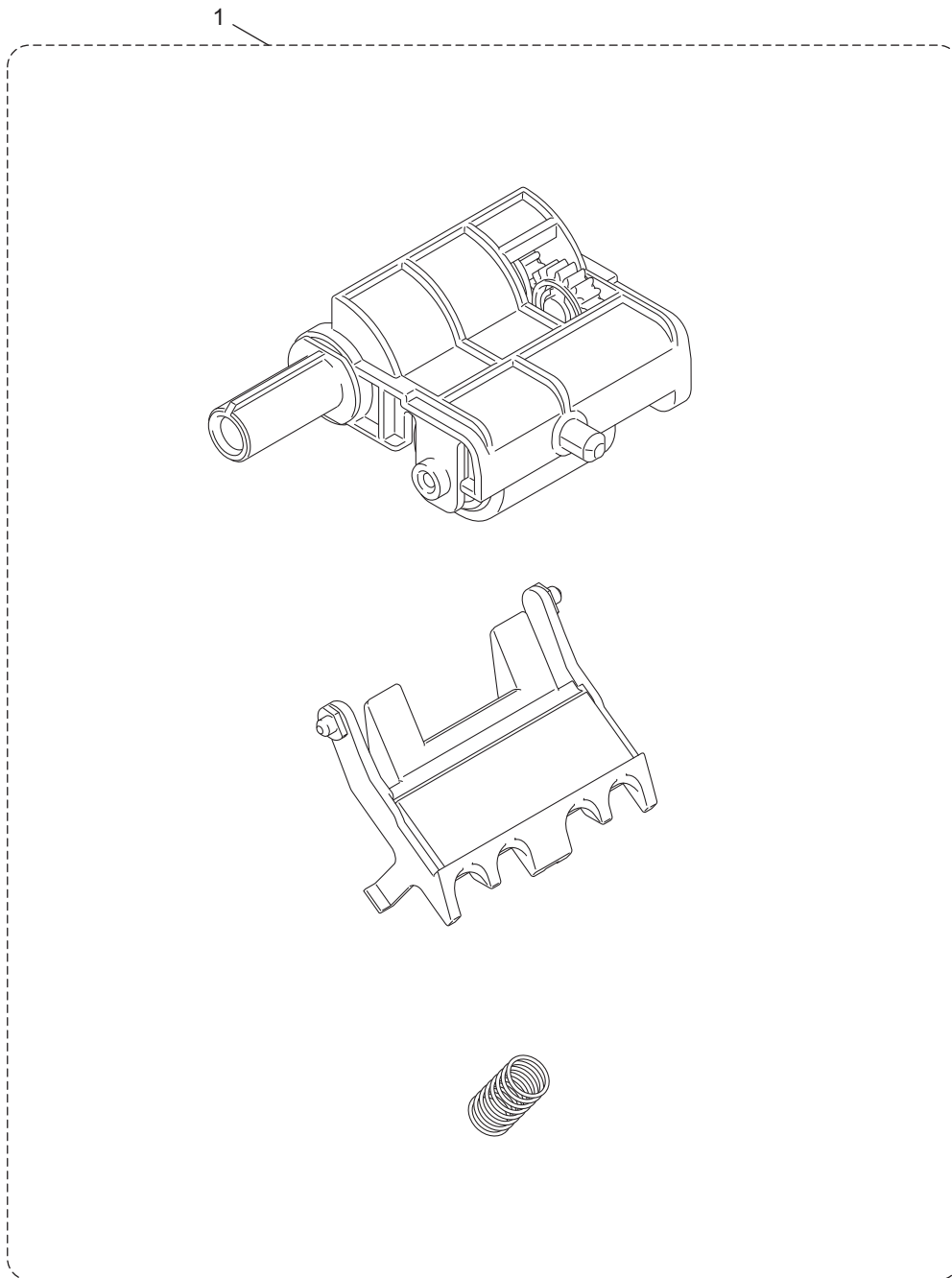
REF No.	CODE	Q'TY	DESCRIPTION	REMARKS
1	LU9189001	1	CARTON, HL-2240 FOR ARG	CHG
1	LU9190001	1	CARTON, HL-2270DW FOR ARG	CHG
1	LY2816001	1	CARTON, HL-2240 FOR CHL	
1	LY2822001	1	CARTON, HL-2270DW FOR CHL	
1	LU1578001	1	CARTON, HL-2130 FOR GUL	chg
1	LY3157001	1	CARTON CN, HL-2240D FOR GUL	
1	LU1593001	1	CARTON VN, HL-2240D FOR GUL	add
1	LY3159001	1	CARTON CN, HL-2250DN FOR GUL	
1	LU1599001	1	CARTON VN, HL-2250DN FOR GUL	add
1	LY3200001	1	CARTON CN, HL-2270DW FOR GUL	
1	LU1605001	1	CARTON VN, HL-2270DW FOR GUL	add
1	LY2797001	1	CARTON, HL-2130 FOR BRA	
1	LY2815001	1	CARTON CN, HL-2240 FOR BRA	
1	LY3605001	1	CARTON VN, HL-2240 FOR BRA	add
1	LY2821001	1	CARTON CN, HL-2270DW FOR BRA	
1	LY3609001	1	CARTON VN, HL-2270DW FOR BRA	add
1	LU1572001	1	CARTON, HL-2130 FOR IDN/SGP	chg
1	LY2968001	1	CARTON CN, HL-2250DN FOR SGP	
1	LU1596001	1	CARTON VN, HL-2250DN FOR SGP	ADD
1	LU1581001	1	CARTON, HL-2130 FOR KOR	chg
1	LY3359001	1	CARTON, HL-2240D FOR KOR	
1	LY3361001	1	CARTON, HL-2250DN FOR KOR	
4	LY3722001	4	CARTON, HL-2130 FOR IND	del
1	LY3723001	1	CARTON CN, HL-2240D FOR IND	
1	LU1590001	1	CARTON VN, HL-2240D FOR IND	add
1	LY3724001	1	CARTON CN, HL-2250DN FOR IND	add
1	LU1640001	1	CARTON VN, HL-2250DN FOR IND	add
1	LY3725001	1	CARTON CN, HL-2270DW FOR IND	add
1	LU1628001	1	CARTON VN, HL-2270DW FOR IND	add
1	LY2796001	1	CARTON, HL-2130 FOR MEX	
1	LU1508001	1	CARTON, HL-2135W FOR MEX	
1	LY2858001	1	CARTON, HL-2130 FOR RUS	
1	LY2860001	1	CARTON, HL-2132 FOR RUS	
1	LY2862001	1	CARTON CN, HL-2240 FOR RUS	
1	LY3624001	1	CARTON VN, HL-2240 FOR RUS	add
1	LY2864001	1	CARTON CN, HL-2240D FOR RUS	
1	LY3625001	1	CARTON VN, HL-2240D FOR RUS	add
1	LY2866001	1	CARTON CN, HL-2250DN FOR RUS	
1	LY3626001	1	CARTON VN, HL-2250DN FOR RUS	add
1	LY2827001	1	CARTON, HL-2130 FOR FRA/BEL/NLD	
1	LY3979001	1	CARTON, HL-2135W FOR FRA/BEL/NLD	
1	LY2837001	1	CARTON CN, HL-2240 FOR FRA/BEL/NLD	
1	LY3612001	1	CARTON VN, HL-2240 FOR FRA/BEL/NLD	add
1	LY2845001	1	CARTON CN, HL-2240D FOR FRA/BEL/NLD	
1	LY3616001	1	CARTON VN, HL-2240D FOR FRA/BEL/NLD	add
1	LY2853001	1	CARTON CN, HL-2250DN FOR FRA/BEL/NLD	
1	LY3620001	1	CARTON VN, HL-2250DN FOR FRA/BEL/NLD	add
1	LY3439001	1	CARTON, HL-2132 FOR PND	
1	LY2839001	1	CARTON CN, HL-2240 FOR IBR	
1	LY3613001	1	CARTON VN, HL-2240 FOR ITA/IBR	add
2	LY2444001	1	POLYSTYRENE PAD ASSY	
3	LY2447001	1	OPTION CARTON	
4	LY2688001	1	PE BAG 600X650	
5	LY0645001	4	SILICA GEL EXCEPT FOR CAN	del
5	LY3886001	1	SILICA GEL FOR US/CAN/ARG/CHL/BRA/MEX	chg
5	LY3887001	1	SILICA GEL FOR EXCEPT FOR US/CAN/ARG/CHL/BRA/MEX	add
6	LY3797001	1	ELASTIC BAND	chg
7	LY2564001	1	PAPER STRIP	
8	LY3057001	1	PROTECTIVE MATERIAL	chg
9	LY3906001	1	CHINA ENERGY LABEL, HL2130 FOR CHN	ADD
9	LY3957001	1	CHINA ENERGY LABEL, HL2240 FOR CHN	ADD
9	LY3907001	1	CHINA ENERGY LABEL, HL2240D FOR CHN	ADD
9	LY3908001	1	CHINA ENERGY LABEL, HL2250DN FOR CHN	ADD

Note

CARTON CN means the CARTON made in China.
 CARTON VN means the CARTON made in Vietnam.

HL-2130/2132/2135W/2220/2230/2240/
 2240D/2242D/2250DN/2270DW/2275DW

15. PERIODICAL MAINTENANCE



15.PERIODICAL MAINTENANCE PARTS

REF No.	CODE	Q'TY	DESCRIPTION	REMARKS
1	LY3058001	1	PAPER FEEDING KIT	