

Figure 32. HP LaserJet 5P/6P Covers and Doors

Table 13. Covers and Doors

| REF | PART NO. | QTY | DESCRIPTION |
|-----|--|-----|--|
| 1 | RG5-1709-000CN RG5-2782-000CN | 1 | Top Door Assembly (5P/5MP) Top Door Assembly (6P/6MP) |
| 2 | RG5-1699-000CN RG5-2779-000CN | 1 | Power Connector Cover Assy (5P/5MP) Power Connector Cover Assy (6P/6MP) |
| 3 | RB1-5931-000CN RB1-9160-000CN | 1 | Cover, Main (HP LaserJet 5P/5MP) Cover, Main (HP LaserJet 6P/6MP) |
| 4 | RB1-5935-000CN RB1-9164-000CN | 1 | Button, Lock (HP LaserJet 5P/5MP) Button, Lock (HP LaserJet 6P/6MP) |
| 5 | RS5-2228-000CN | 1 | Spring, Compression |
| 6 | RB1-5936-000CN RB1-9165-000CN | 1 | Guide, Lock Button (HP LaserJet 5P/5MP) Guide, Lock Button (HP LaserJet 6P/6MP) |
| 7 | RG5-1697-000CN RG5-2785-000CN | 1 | Paper Feed Tray Assembly (5P/5MP) Paper Feed Tray Assembly (6P/6MP) |
| 8 | RB1-5939-000CN | 1 | Arm, Tray 1 Sensor |
| 9 | C3150-00004 C3155-00001 C3980-00001 C3982-00001 | 1 | Nameplate (HP LaserJet 5P) Nameplate (HP LaserJet 5MP) Nameplate (HP LaserJet 6P) Nameplate (HP LaserJet 6MP) |
| 10 | RS5-2418-000CN | 1 | Spring, Torsion |
| 11 | RB1-5937-000CN | 1 | Stopper, Hinge, Right |
| 12 | RB1-5938-000CN | 1 | Stopper, Hinge, Left |
| 13 | RS5-2419-000CN | 1 | Spring, Torsion |
| 14 | RF5-0593-000CN | 1 | Brush, Mirror |
| 15 | RB1-5934-000CN RB1-9151-000CN | 1 | Cover, Interface Connector (5P/5MP) Cover, Interface Connector (6P/6MP) |
| 16 | RG5-1710-000CN RG5-2780-000CN | 1 | Side Cover Assembly (5P/5MP) Side Cover Assembly (6P/6MP) |
| 17 | RB1-5927-000CN | 1 | Bushing |
| 18 | RB1-5924-000CN RB1-9171-000CN | 1 | Tray, Sub-assy, Face-Up (5P/5MP) Tray, Sub-assy, Face-Up (6P/6MP) |
| 19 | RG5-1707-000CN RG5-2784-000CN | 1 | Face-Up Tray Assembly (5P/5MP) Face-Up Tray Assembly (6P/6MP) |

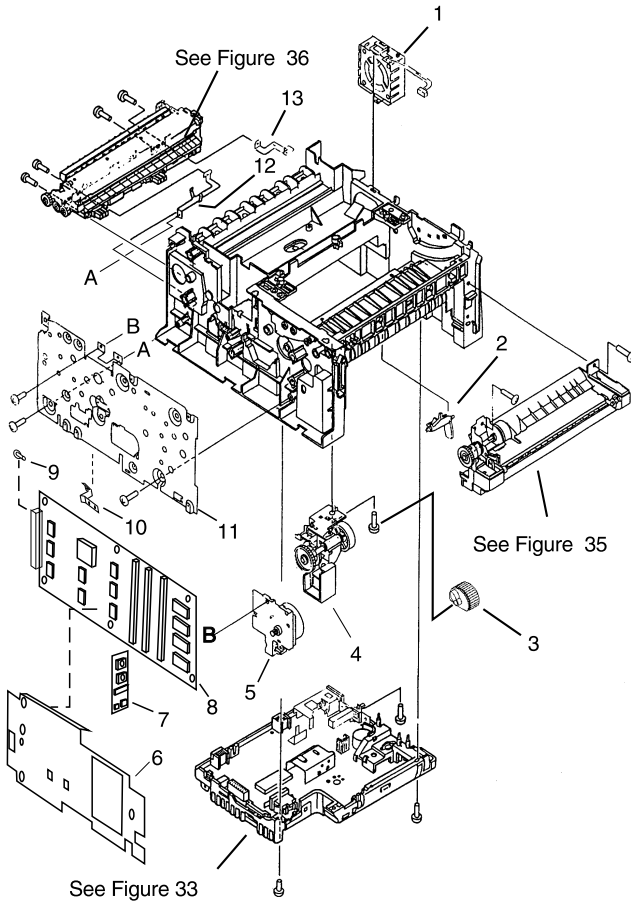


Figure 33. HP LaserJet 5P/6P Internal Components (1)

Table 14. Internal Components (1)

| REF | PART NO. | QTY | DESCRIPTION |
|-----|---|-----|---|
| 1 | RG5-1801-000CN RG5-2776-000CN | 1 | Fan Assembly (5P/5MP) Fan Assembly (6P/6MP) |
| 2 | RB1-6006-000CN | 1 | Arm, Sensor |
| 3 | RB1-6332-000CN | 1 | Pick-Up Roller (tray 2) |
| 4 | RG5-1692-000CN RG5-2796-000CN | | Pick-Up Assy (tray 2) (5P/5MP) Pick-Up Assy (tray 2) (6P/6MP) |
| 5 | RG5-1799-000CN RG5-2786-000CN | 1 | Motor Assembly (5P/5MP) Motor Assembly (6P/6MP) |
| 6 | C3150-00005 C3980-00007 | 1 | Formatter Shield (5P/5MP) Formatter Shield (6P/6MP) |
| 7 | C3152-69001 C3987-69001 | 1 | PostScript SIMM (exch.) (5P/5MP) PostScript SIMM (exch.) (6P/6MP) |
| 8 | C3151-67901 C3151-69001 C3981-69001 | 1 | Formatter PCA (new) Formatter PCA (exch.) (5P/5MP) Formatter PCA (exch.) (6P/6MP) |
| 9 | 0515-2701 | 2 | TORX screws |
| 10 | RB1-5971-000CN | 1 | Leaf Spring |
| 11 | RG5-1713-000CN RG5-2778-000CN | 1 | Gear train Assembly (5P/5MP) Gear train Assembly (6P/6MP) |
| 12 | RB1-5999-000CN RB1-9195-000CN | 1 | Plate, Grounding, Left (5P/5MP) Plate, Grounding, Left (6P/6MP) |
| 13 | RB1-5998-000CN RB1-9194-000CN | 1 | Plate, Grounding, Right (5P/5MP) Plate, Grounding, Right (6P/6MP) |

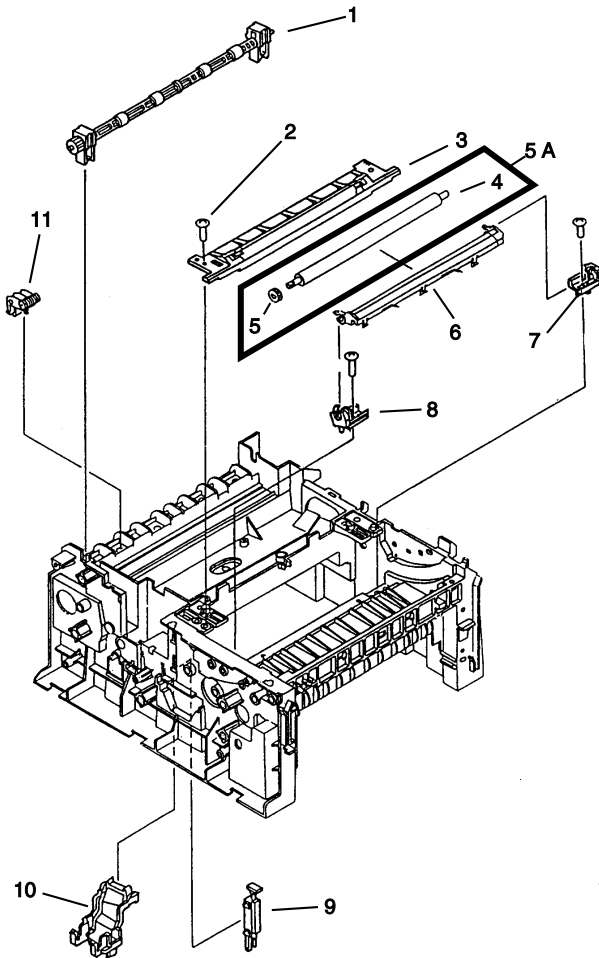


Figure 34. HP LaserJet 5P/6P Internal Components (2)

Table 15. Internal Components (2)

| REF | PART NO. | QTY | DESCRIPTION |
|-----|--|-----|--|
| 1 | RG5-0683-020CN | 1 | Roller, Upper Output Assembly |
| 2 | XA9-0666-000CN | 2 | Screw, TP |
| 3 | RG5-1786-000CN | 1 | Mirror Assembly |
| 4 | RB1-5873-000CN | 1 | Roller, Transfer (5P only) |
| 5 | RS5-0313-000CN | 1 | Gear, 17T |
| 5a | RF5-1287-000CN RF5-0596-000CN | 1 | Transfer Roller Assembly (5P/5MP) Transfer Roller Assembly (6P/6MP) |
| 6 | RG5-1706-000CN | 1 | Transfer Guide Assembly |
| 7 | RG5-0675-000CN | 1 | Transfer Mount Assy, Right |
| 8 | RG5-0674-000CN | 1 | Transfer Mount Assy, Left |
| 9 | RG5-0694-020CN | 1 | Switch, Plunger Assembly |
| 10 | RG5-0766-030CN | 1 | Scanner Connector Assy |
| 11 | RG5-0682-030CN | 4 | Lower Delivery Roller |

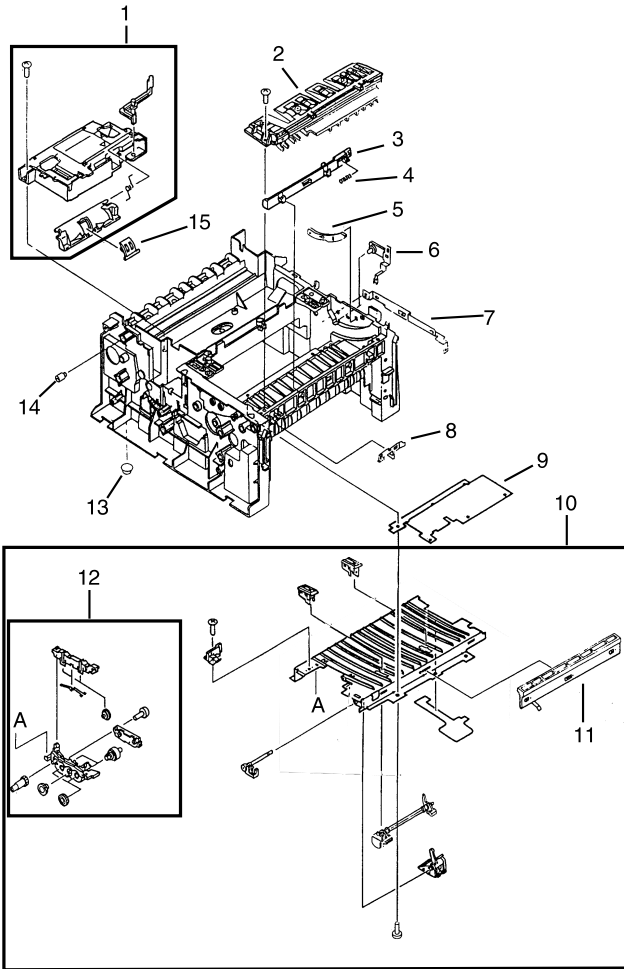


Figure -35. HP LaserJet 5P/6P Internal Components (3)

Table 16. Internal Components (3)

| REF | PART NO. | QTY | DESCRIPTION |
|-----|--|-----|--|
| 1 | RG5-1780-000CN RG5-2848-000CN C3150-69005 C3980-69005 | 1 | Laser Scanner Assembly (new 5P/5MP) Laser Scanner Assembly (new 6P/6MP) Laser Scanner Assembly (exch 5P/5MP) Laser Scanner Assembly (exch 6P/6MP) |
| 2 | RG5-1698-000CN | 1 | Top Oblique Roller Assy |
| 3 | RB1-3002-040CN | 1 | Plunger Lock, Door |
| 4 | RS5-2232-000CN | 1 | Spring, Compression |
| 5 | RB1-6003-000CN | 1 | Plate, Cartridge |
| 6 | RB1-6002-000CN | 1 | Plate, Cartridge Grounding |
| 7 | RF5-1286-000CN | 1 | Plate, MP Grounding, Right |
| 8 | RB1-6001-000CN | 1 | Arm, Input Paper Sensor |
| 9 | RB1-2987-020CN | 1 | Shield, HVT |
| 10 | RG5-0584-000CN | 1 | Feeder Guide Assembly |
| 11 | RF5-1283-000CN | 1 | Eliminator, Static Charge |
| 12 | RG5-1814-000CN | 1 | Roller Assembly, Small Media |
| 13 | RB1-6007-000CN | 4 | Foot, Chassis |
| 14 | RB1-6008-000CN | 6 | Damper, Rubber |
| 15 | RB1-3681-000CN | 1 | Cap, Laser Shutter |

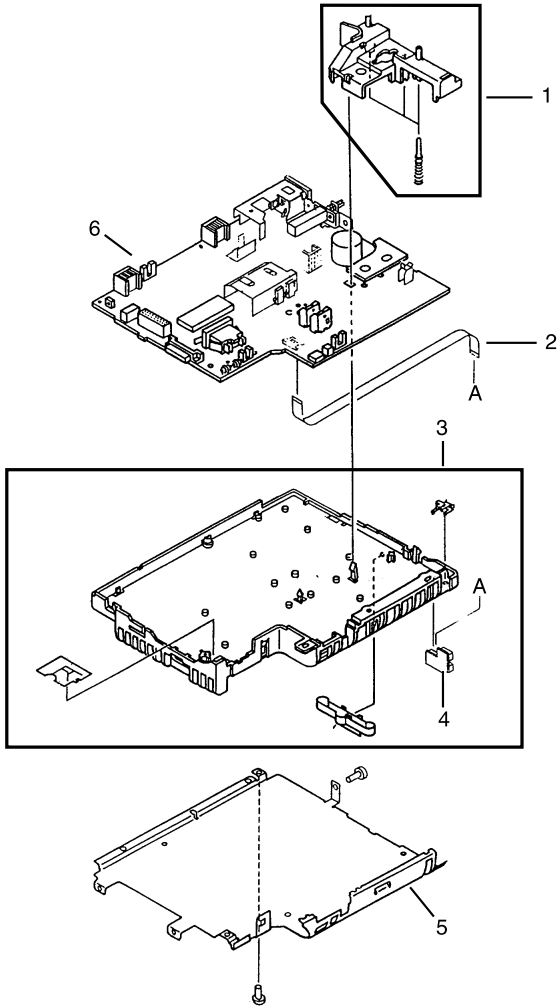


Figure 36. DC Controller Assembly

Table 17. DC Controller Assembly

| REF | PART NO. | QTY | DESCRIPTION |
|-----|--|-----|--|
| 1 | RG5-1719-000CN | 1 | HVT Controller Assembly |
| 2 | RH2-5259-000CN | 1 | Cable, Flat (5P/5MP) |
| 3 | RG5-1712-000CN RG5-2774-000CN | 1 | DC Controller Case Assy (5P/5MP) DC Controller Case Assy (6P/6MP) |
| 4 | RG5-1808-000CN | 1 | Tray 1 Connector PCA Assy |
| 5 | RB1-5987-000CN | 1 | Shield, Case |
| 6 | RG5-1798-000CN RG5-2826-000CN C3150-69001 C3980-69001 RG5-1809-000CN RG5-2827-000CN C3150-69002 c3980-69002 | 1 | DC Controller PCA 100-120V new (5P/5MP) new (6P/6MP) exchange (5P/5MP) exchange (6P/6MP) DC Controller PCA 220-240V new (5P/5MP) new (6P/6MP) exchange (5P/5MP) exchange (6P/6MP) |

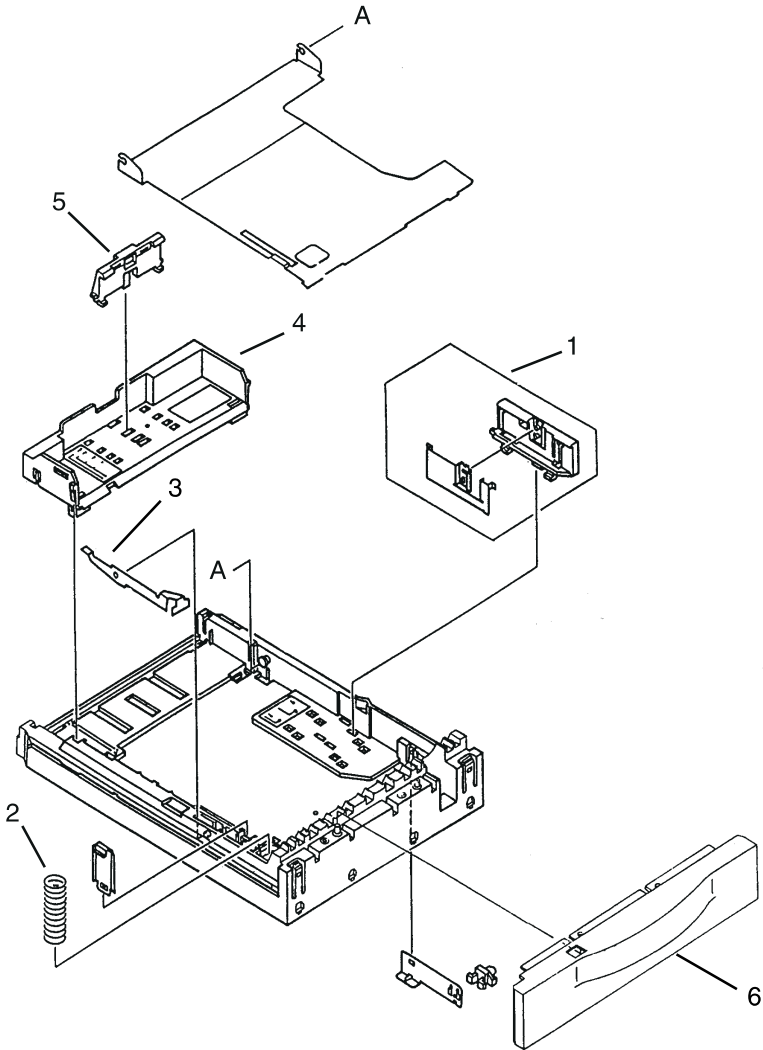


Figure 37. Tray 2 Assembly

Table 18. Tray 2 Assembly

| REF | PART NO. | QTY | DESCRIPTION |
|-----|--|-----|--|
| | R75-4000-000CN R98-1001-000CN | 1 | Complete Tray 2 Assembly (5P/5MP) Complete Tray 2 Assembly (6P/6MP) |
| 1 | RF5-0673-000CN | 1 | Plate, Side |
| 2 | RS5-2458-000CN | 1 | Spring, Compression |
| 3 | RB1-3426-000CN | 1 | Claw, Separation |
| 4 | RB1-6378-000CN | 1 | Tray, Legal |
| 5 | RB1-6382-000CN | 1 | Plate, End |
| 6 | RB1-9205-000CN | 1 | Tray 2 Front Panel |

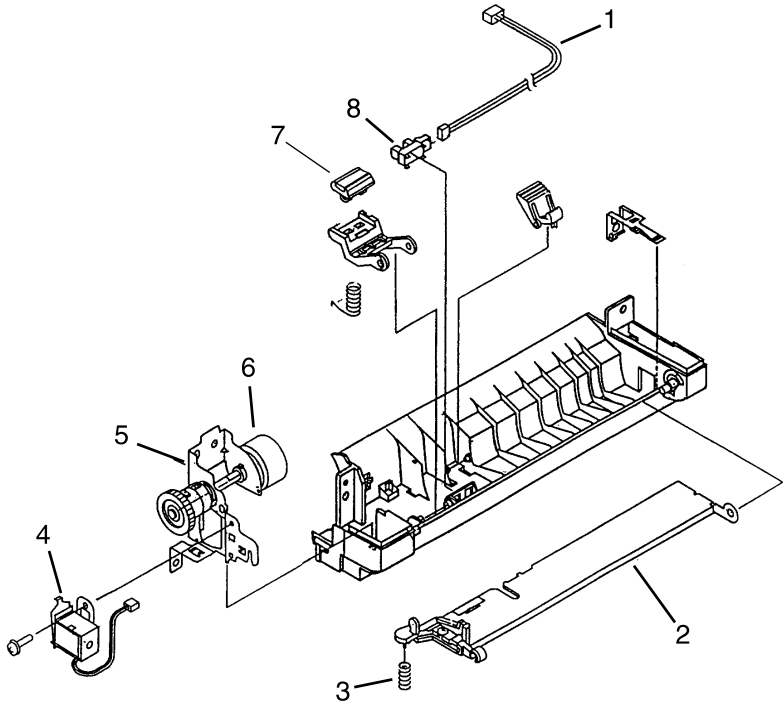


Figure 38. Tray 1 Assembly

Table 19. Tray 1 Assembly

| REF | PART NO. | QTY | DESC |
|-----|----------------------------------|-----|--|
| | RG5-1695-000CN RG5-2790-000CN | 1 | Complete Tray 1 Pickup Assy (5P/5MP) Complete Tray 1 Pickup Assy (6P/6MP) |
| 1 | RG5-1804-000CN | 1 | Tray 1 Sensor Cable |
| 2 | RG5-1694-000CN | 1 | Paper guide Plate Assy |
| 3 | RS5-2415-000CN | 1 | Spring, Compression |
| 4 | RH7-1258-000CN RH7-5160-000CN | 1 | Solenoid SL2 (5P/5MP) Solenoid SL2 (6P/6MP) |
| 5 | RG5-1693-000CN RG5-2791-000CN | 1 | Tray 1 Pickup Roller Assy (5P/5MP) Tray 1 Pickup Roller Assy (6P/6MP) |
| 6 | RB1-2205-000CN | 1 | Roller, Tray 1 Pickup |
| 7 | RF5-0343-000CN | 1 | Pad, Separation |
| 8 | WG8-5210-000CN | 1 | Photosensor PS5 |

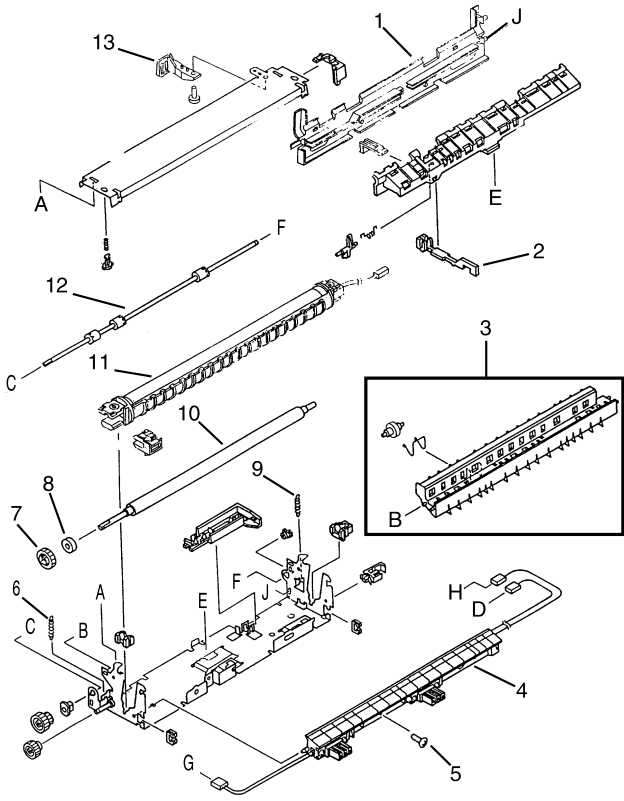


Figure 39. HP LaserJet 5P/6P Fusing Assembly

Table 20. Fusing Assembly

| REF | PART NO. | QTY | DESCRIPTION |
|-----|--|-----|--|
| | RG5-1700-000CN RG5-2800-000CN C3150-69003 C3980-69003 | 1 | Complete Fuser Assy (100-120V) new (5P/5MP) new (6P/6MP) exchange (5P/5MP) exchange (6P/6MP) |
| | RG5-1701-000CN RG5-2801-000CN C3150-69004 C3980-69004 | 1 | Complete Fuser Assy (220-240V) new (5P/5MP) new (6P/6MP) exchange (5P/5MP) exchange (6P/6MP) |
| 1 | RB1-5918-000CN | 1 | Cover, Delivery |
| 2 | RB1-3097-000CN | 1 | Flag, Exit Sensor |
| 3 | RG5-0681-000CN | 1 | Fuser Delivery Assembly |
| 4 | RG5-1813-000CN RG5-2799-000CN | 1 | Guide , Fuser Entrance (5P/5MP) Guide , Fuser Entrance (6P/6MP) |
| 5 | XB2-8300-809CN | 2 | Screw, W/Star, M3X8 |
| 6 | RS5-2421-000CN RS5-2643-000CN | 1 | Spring, Tension (5P/5MP) Spring, Tension (6P/6MP) |
| 7 | RS5-0637-000CN | 1 | Gear, 24T |
| 8 | RB1-3109-000CN | 1 | Rubber, Continuity |
| 9 | RS5-2421-000CN | 1 | Spring, Fuser Hook |
| 10 | RB1-5910-000CN RB1-9179-000CN | 1 | Roller, Fuser Pressure (5P/5MP) Roller, Fuser Pressure (6P/6MP) |
| 11 | RG5-1702-000CN RG5-2802-000CN RG5-1703-000CN RG5-2803-000CN | 1 | Fuser Film Assembly 100-120v (5P/5MP) Fuser Film Assembly 100-120v (6P/6MP) Fuser Film Assembly 220-240V (5P/5MP) Fuser Film Assembly 220-240V (6P/6MP) |
| 12 | RB1-5917-000CN RB1-9181-000CN | 1 | Roller, Fuser Delivery (5P/5MP) Roller, Fuser Delivery (6P/6MP) |
| 13 | RB1-5906-000CN | 1 | Tab, Fuser Release |