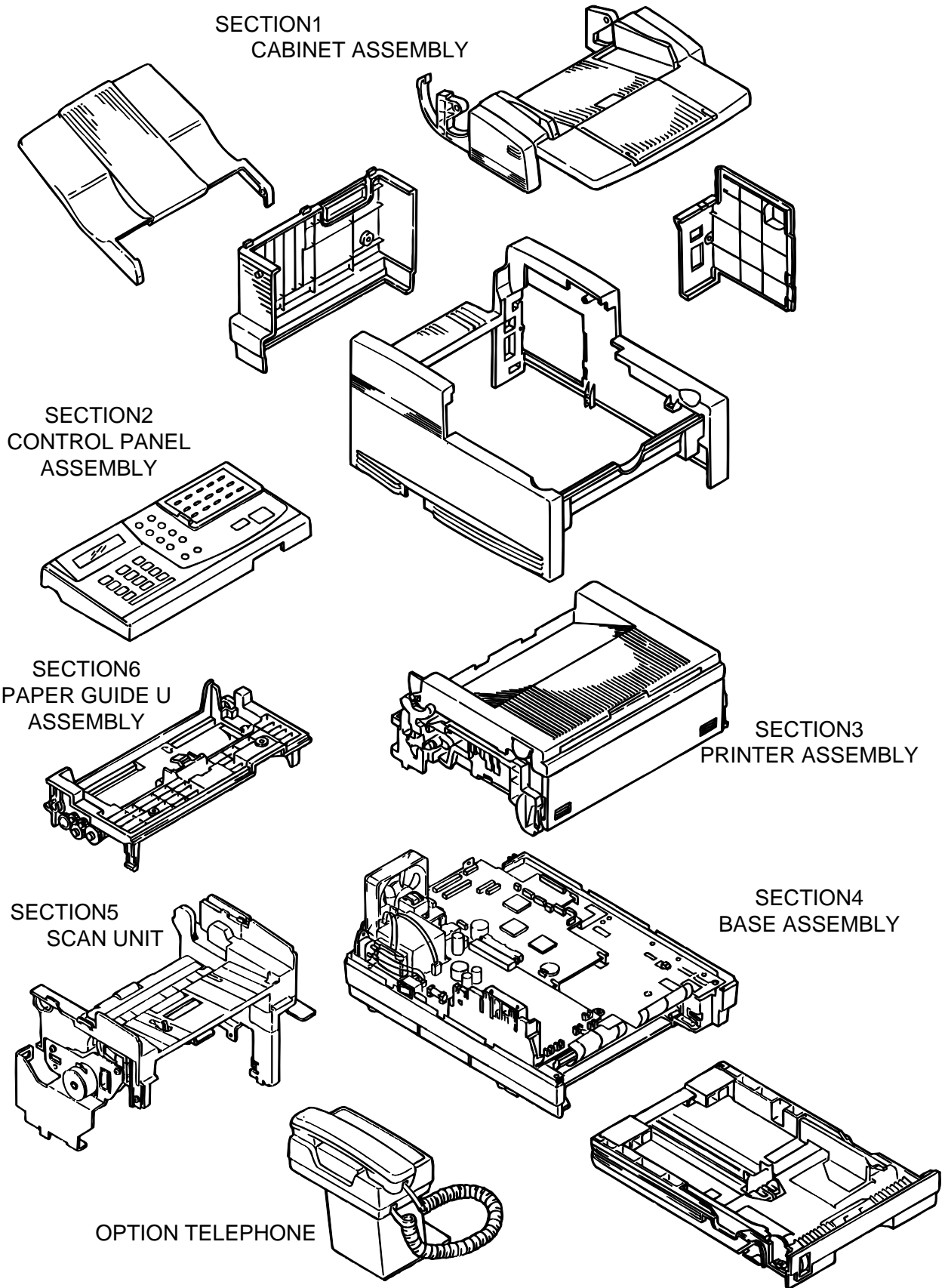


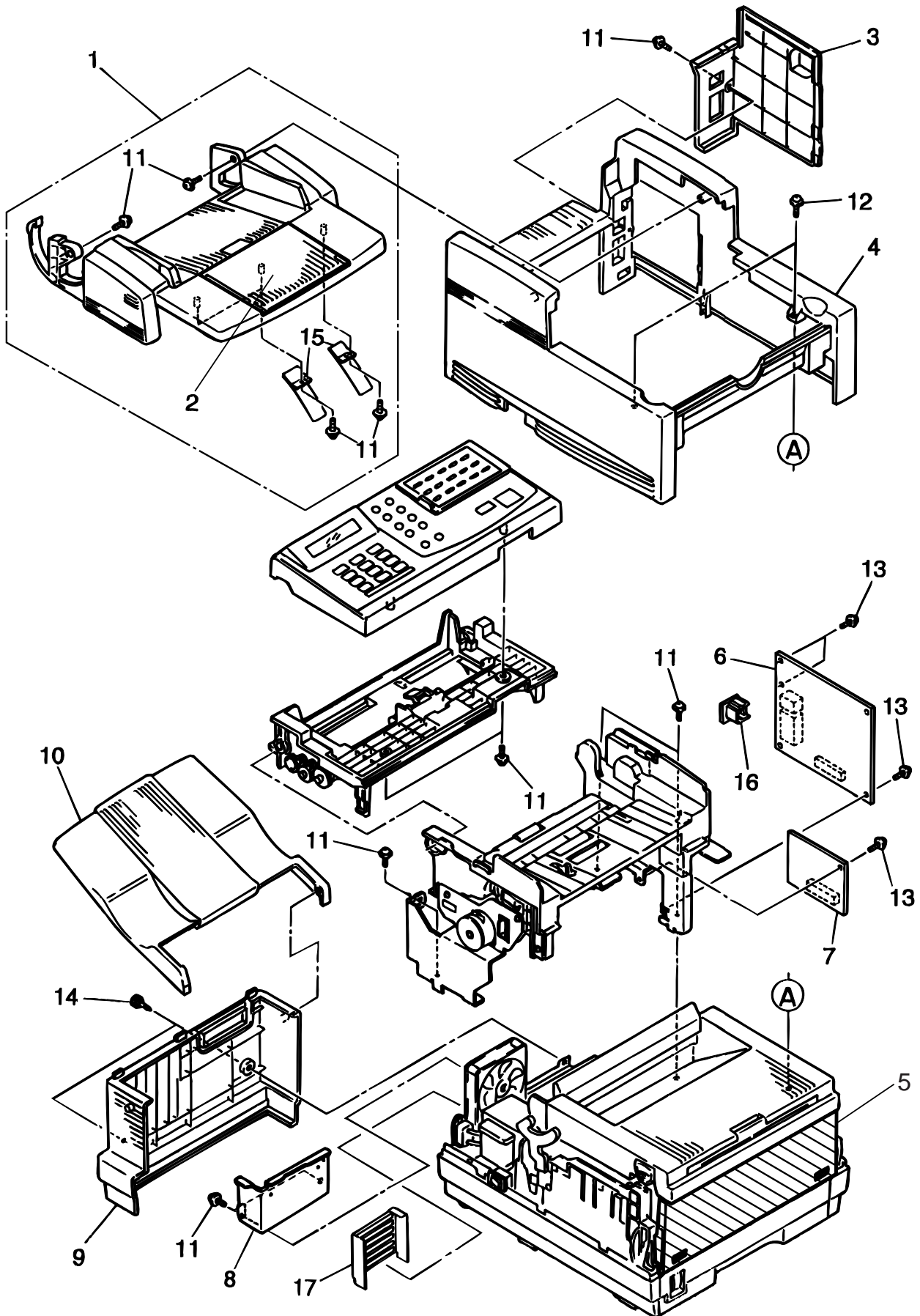
Okifax 5400

ASSEMBLY



Okifax 5400

SECTION 1 CABINET ASSEMBLY



Okifax 5400

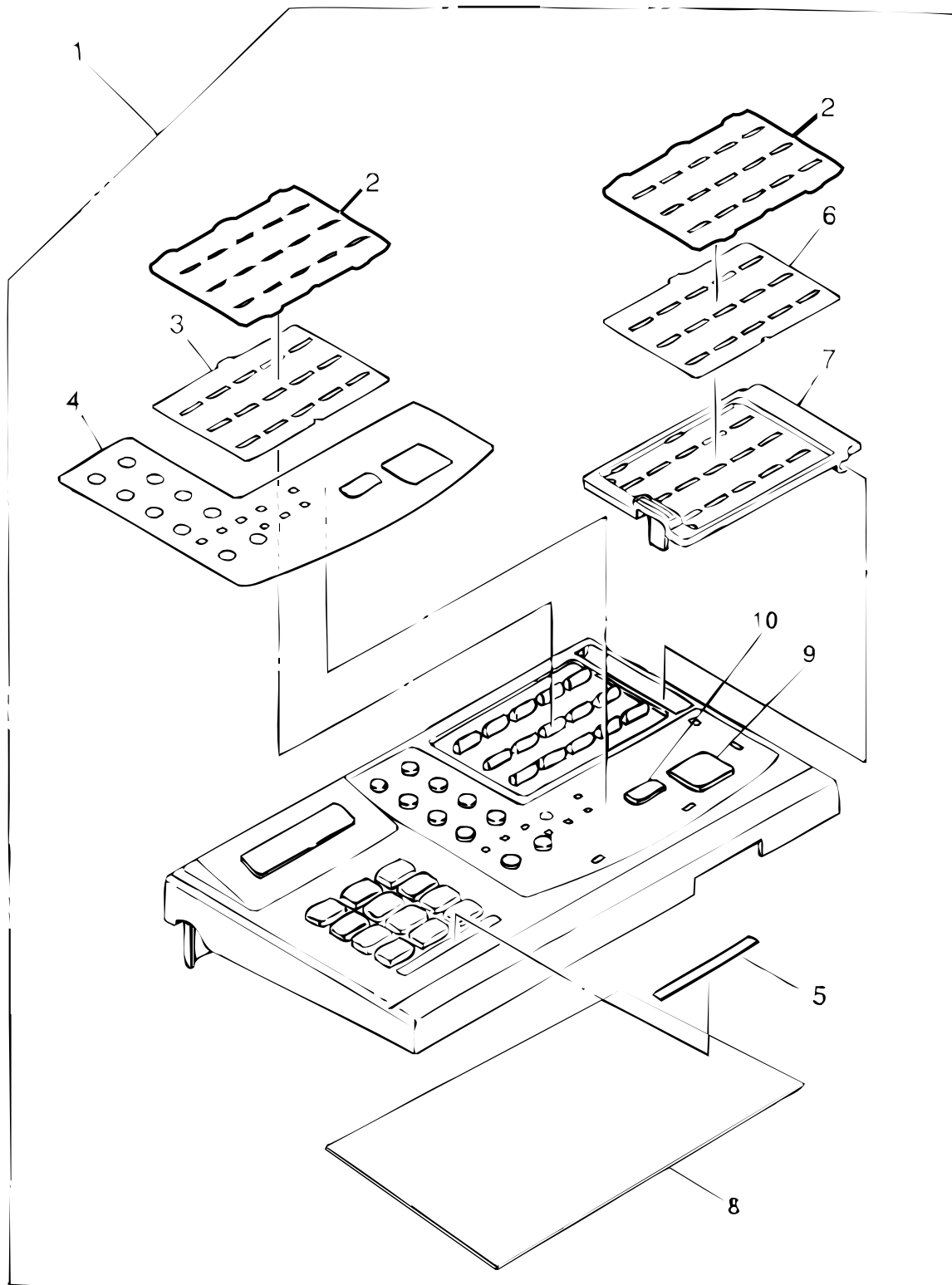
Section 1 CABINET ASSEMBLY

Rev.	No.	Oki parts Number	Description	Q'ty	Remarks
	1a	1PA4120-1079G1	Document Hopper Assy.	1	OKI
	1b	1PA4120-1079G4	Document Hopper Assy.	1	BOSCH
	2a	2PP4120-1084P1	Sub-Hopper Plate	1	OKI
	2b	2PP4120-1084P4	Sub-Hopper Plate	1	BOSCH
	3a	2PP4120-1091P1	NCU Cover	1	OKI
	3b	2PP4120-1091P4	NCU Cover	1	BOSCH
	4a	1PP4120-1089P1	Main Cover	1	OKI
	4b	1PP4120-1089P4	Main Cover	1	BOSCH
	5a	2PA4083-6130G1	Manual Feed Guide Assembly	1	OKI
	5b	40051902	Guide Assy,-Manual Feed	1	BOSCH
	6a	40044501	Board-UNC	1	US
	6b	40044401	Board-FN5	1	UK, France
	6c	40044101	Board-DN5	1	GER.
	6d	40044303	Board-WN5-3	1	OEL-INT
	6e	40044307	Board-WN5-7	1	OKI-INT
	6f	40044502	Board-UNC-2	1	US
	7	40274602	Board-S34-2	1	
	8	3PP4120-1088P1	Partition Plate	1	
	9a	1PP4120-1090P1	Rear Cover	1	
	9b	1PP4120-1090P4	Rear Cover	1	BOSCH
	10	1PP4120-1093P1	Stacker Cover	1	
	11		Screw		
	12		Screw		
	13		Screw		
	14	4PB4120-1136P1	Knob Screw	2	
	15	4PP4120-1161G1	Assist Guide Assy	3	
	16	223A7010P003	Connector-plug	1	Note 1
	17	40275501	Plate-guard	1	

Note 1: Required number of this part is arranged by each country.

Okifax 5400

SECTION 2 CONTROL PANEL ASSEMBLY



Okifax 5400

Section 2 CONTROL PANEL ASSEMBLY

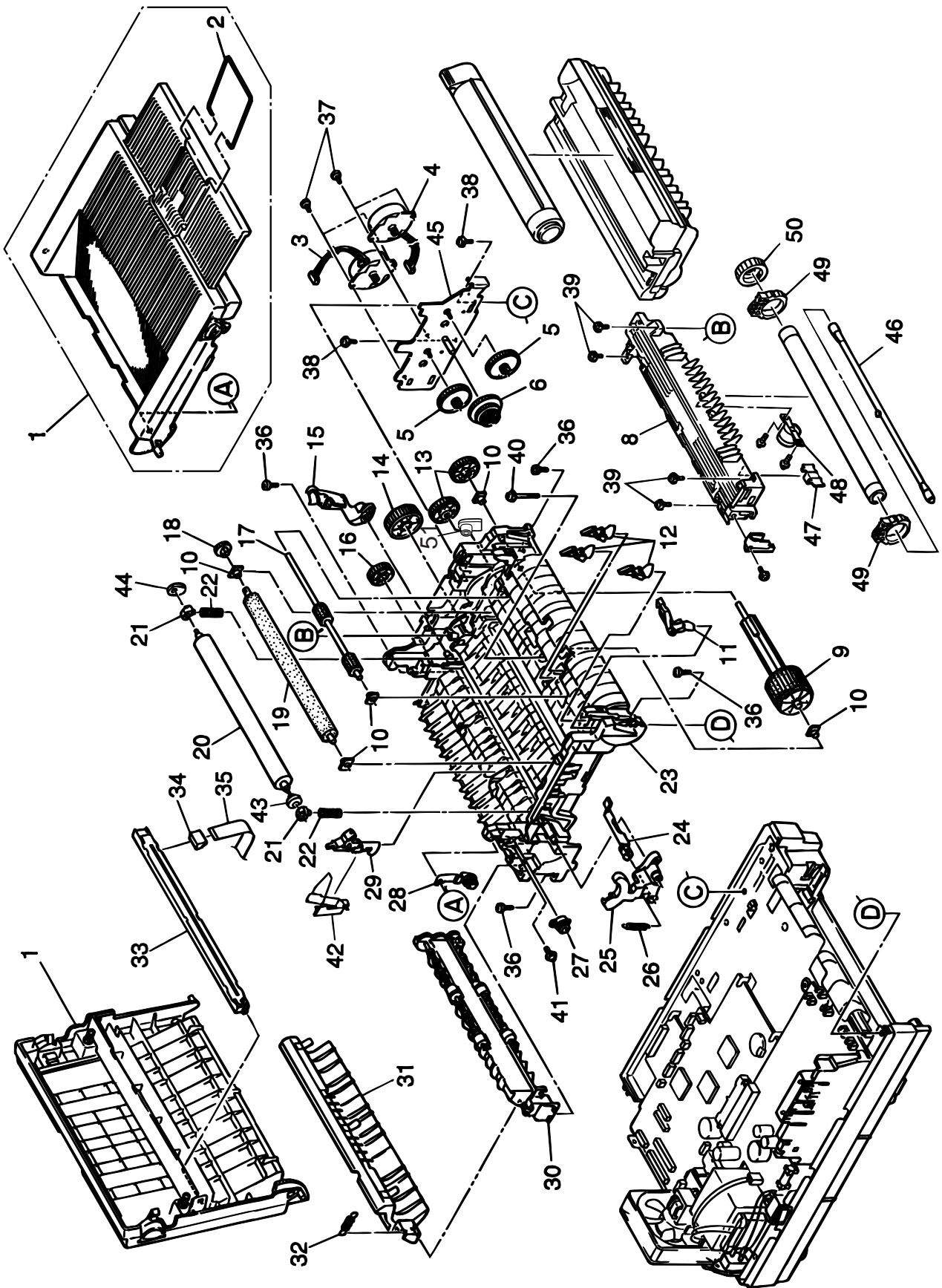
Rev.	No.	Oki parts Number	Description	Q'ty	Remarks
	1a	40079109	Unit-175V OPE Panel	1	ODA/OLA
	1b	40079102	Unit-175V OPE Panel	1	OEL Note 1
	1c	40079110	Unit-175V OPE Panel	1	OKI-INT/AUS
	1d	40079106	Unit-175V OPE Panel	1	Bosch
	2	4PB4120-1074P001	One-touch Cover Film-151/175	2	Note 2
	3	4PB4120-1073P101	One-touch Sheet-151/176	1	Note 2
	4a	40076831	Sheet-F-175V	1	OKI Note 2
	4b	3PB4120-1070P022	FUNCTION SHEET-050	1	Bosch
	5a	4PB4014-4776P201	Ten Key Label	1	ODA/OLA
	5b	4PB4014-4776P211	Ten Key Label	1	OKI-INT/AUS
	5c	4PB4014-4776P221	Ten Key Label	1	Bosch
	6a	40047023	Sheet-O-050V	1	OKI Note 2
	6b	40047010	Sheet-O-050V	1	Bosch Note 2
	7	1PP4120-1072P001	One-touch Cover-175	1	
	8	40086801	Board-05W	1	
	9a	40075001	Button-Start (S)	1	OKI/Bosch
	9b	40075002	Button-Start (S)	1	Lanier
	10a	40075101	Button-Stop (S)	1	OKI/Bosch
	10b	40075102	Button-Stop (S)	1	Lanier

Note 1: Not includes items 2, 3, 4, 5, 6, 9, 10 for OEL version.

Note 2: Parts will be supported in OEL.

Okifax 5400

SECTION 3 PRINTER ASSEMBLY



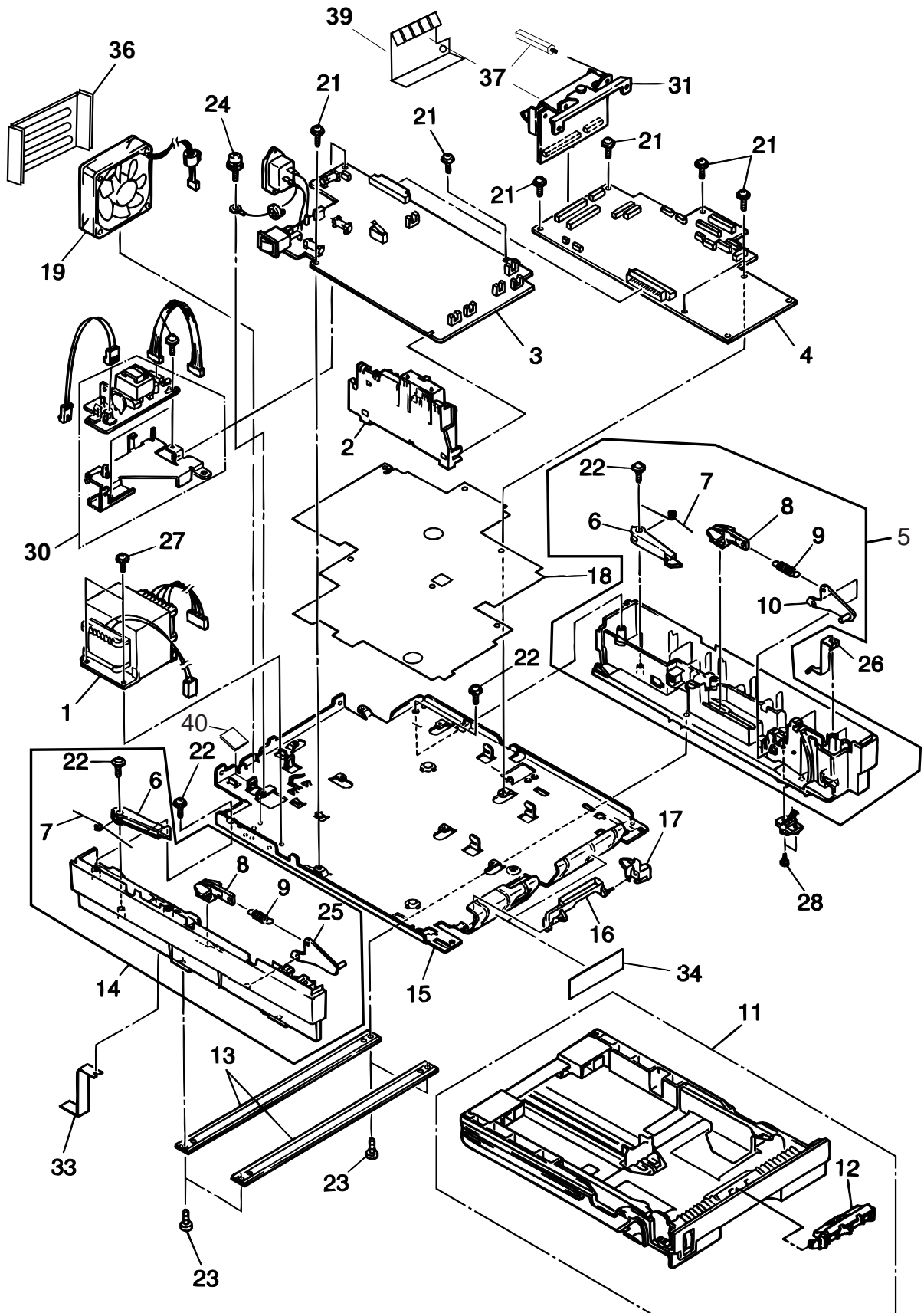
Okifax 5400

Section 3 PRINTER ASSEMBLY 1/2

Rev.	No.	Oki parts Number	Description	Q'ty	Remarks
	1	2PA4120-1214G1	Stacker Cover Assy.	1	
	2	4PB3517-1567P1	Guide Wire	1	
	3	4YB4120-1117P1	Pulse Motor (Main)	1	
	4	4YB4120-1118P1	Pulse Motor (Resist)	1	
	5	4PP4083-2593P1	Idle Gear A	2	
	6	3PP4083-6076P1	Reduction Gear	1	
	8a	2YX4120-1128G1	Fusing Unit Assy. (120V)	1	ODA
	8b	2YX4120-1128G2	Fusing Unit Assy. (230V)	1	Except ODA
	9	3PA4122-1295G1	Hopping Roller Assy.	1	
	10	4PP4083-6022P2	Bearing A	5	
	11	4PP4083-6086G1	Toner Sensor Assembly	1	
	12	4PP4083-6083P1	Sensor Plate (Inlet)	3	
	13	4PB4083-6024P1	One-way Clutch Gear	2	
	14	4PP4083-6080P1	Idle Gear B	1	
	15	3PP4083-6054P1	Reset Lever (R)	1	
	16	4PP4083-6081P1	Idle Gear C	1	
	17	3PB4083-6030P1	Resistration Roller	1	
	18	4PP4083-6042P1	TR Gear	1	
	19	3YB4083-7640P2	Transfer Roller	1	
	20	3PB4083-6064P2	Back-up Roller	1	
	21	4PP4083-6052P1	Bush A	2	
	22	4PP4083-6065P1	Bias Spring A	2	
	23	1PP4083-6035G001	Lower Base Sub Assy.	1	
	24	3PP4083-6058P1	Switch Arm Lever	1	
	25	3PP4083-6053P1	Reset Lever (L)	1	
	26	4PP4083-6057P1	Reset Spring	1	
	27	4PB4083-6197P1	Dumper Frame	1	
	28	4PP4083-6191G1	Dumper Arm Assembly	1	
	29	4PA4083-6025G1	Eject Sensor Lever Assembly	1	
	30	2PA4120-1129G1	Eject Roller Assy.	1	

Okifax 5400

SECTION 4 BASE ASSEMBLY



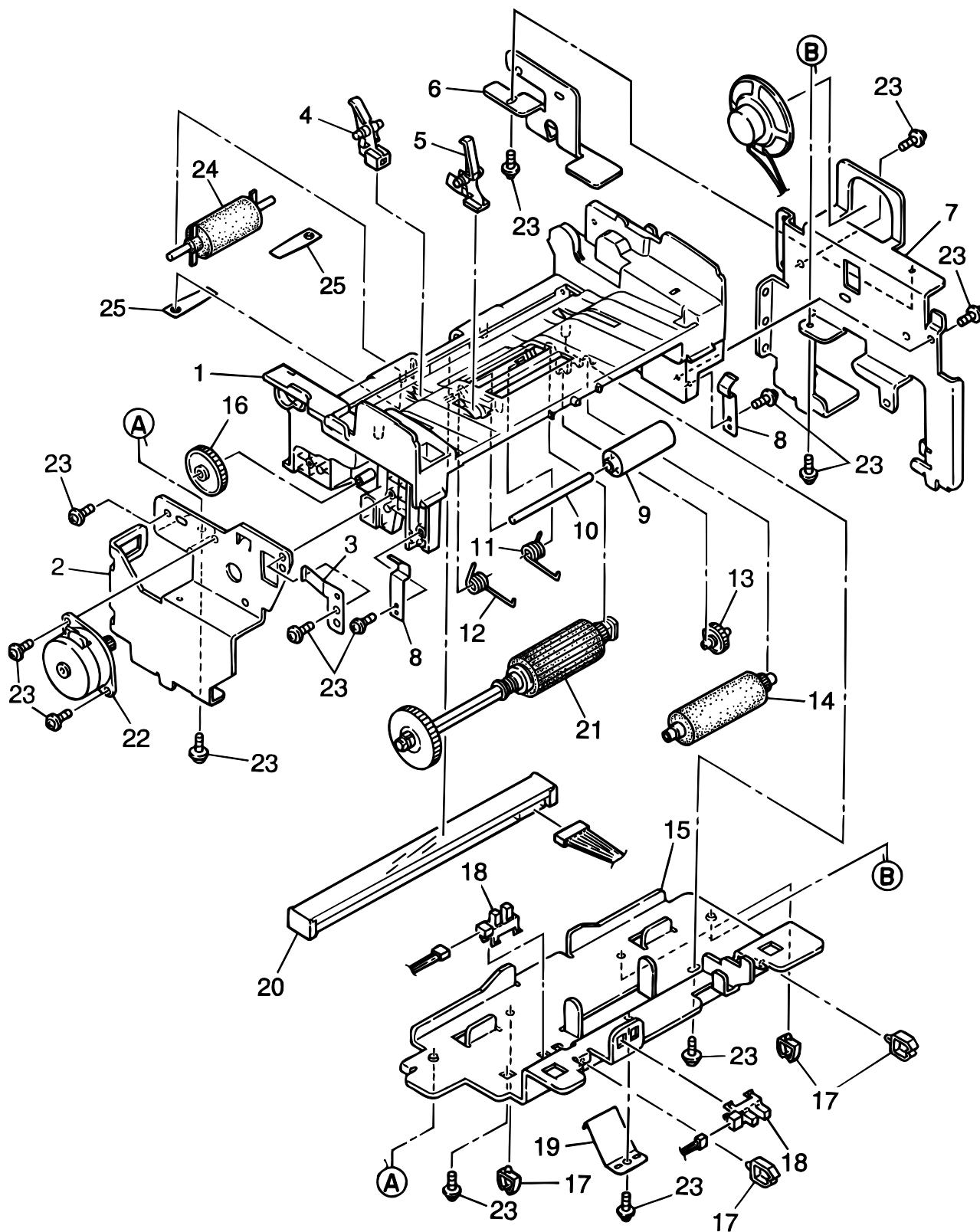
Okifax 5400

Section 4 BASE ASSEMBLY 1/2

Rev.	No.	Oki parts Number	Description	Q'ty	Remarks
	1a	4YB4049-7082P1	Power Transformer	1	(120V)
	1b	4YB4049-7083P1	Power Transformer	1	(230V)
	2	3PA4083-6090G1	Contact Assy.	1	
	3a	40035901	PWR Unit-ACDC DROP	1	(120V)
	3b	40035902	PWR Unit-ACDC DROP	1	(230V)
	4	40476108	Board-E17-8	1	
	5	2YX4076-7012G001	Cassette Guide (R) Assy.	1	
	6	3PP4083-7653P1	Cassette Lock Lever	2	
	7	4PP4083-7655P1	Cassette Lock Spring	2	
	8	4PP4122-1170P1	Link Pull Lever	2	
	9	4PP4083-7666P1	Sheet Spring	2	
	10	4PP4083-7658G1	Sheet Link (R) Assy.	1	
	11	1PA4120-1162G1	Paper Cassette Assy.	1	
	12	40259701	Frame Assy.-Sepa	1	
	13	3PP4083-7660P1	Beam Plate	2	
	14	2PA4076-7011G001	Cassette Guide (L) Assy.	1	
	15	1PP4120-1078P001	Base Plate	1	
	16	3PP4083-6154P1	Cassette Detection Lever	1	
	17	4PP4083-7667P1	Paper End Sensor Lever	1	
	18	2PB4120-1103P1	Insulator Plate	1	
	19	4YB4120-1119P1	DC Fan Motor	1	
	20				
	21		Screw		
	22		Screw		
	23		Screw		
	24		Screw		
	25	4PP4083-7657G1	Sheet Link (L) Assy.	1	
	26	4PP4083-7662P1	FG Plate C	1	
	27		Screw		
	28		Screw		
	29				
	30	40521301	Plate Assy.-SPSU	1	(230V)

Okifax 5400

SECTION 5 SCAN UNIT



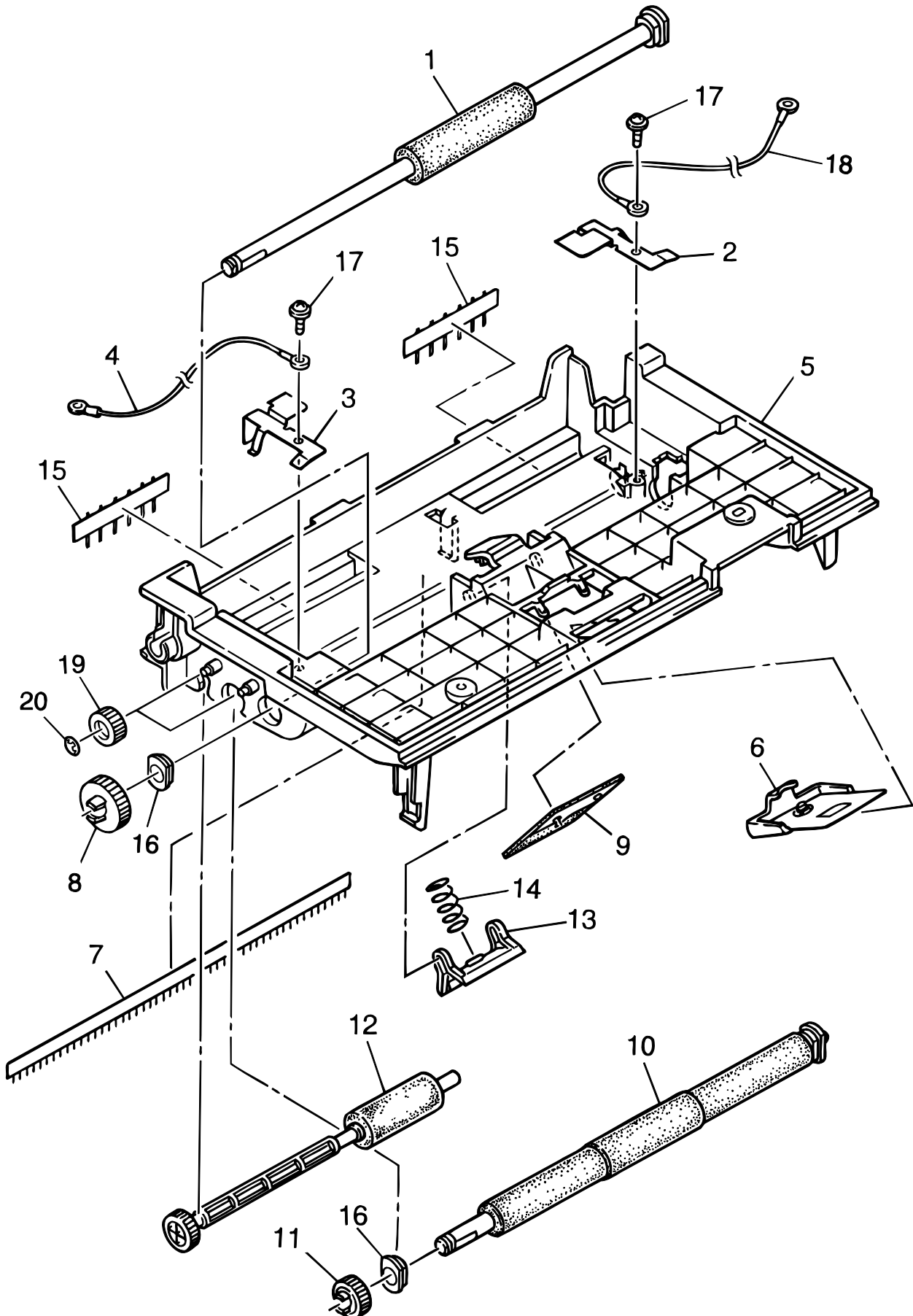
Okifax 5400

Section 5 SCAN UNIT

Rev.	No.	Oki parts Number	Description	Q'ty	Remarks
	1	1PP4120-1015P001	Scanner Frame	1	
	2	2PP4120-1034P1	Scanner Base Frame (L)	1	
	3	4PP4120-1023P1	Earth Plate ADF	1	
	4	3PP4120-1017P1	PC2 Lever	1	
	5	3PP4120-1016P1	PC1 Lever	1	
	6	3PP4120-1038P1	Pocket Plate	1	
	7	2PP4120-1037P1	Scanner Base Frame (R)	1	
	8	4PP4120-1032P1	Latch Spring	2	
	9	4PP3529-5045P1	Pinch Roller	1	
	10	4PP4120-1020P1	Pinch Roller Shaft	1	
	11	4PP4120-1022P1	Pinch Spring R	1	
	12	4PP4120-1021P1	Pinch Spring L	1	
	13	4PP3529-5033P1	Gear (Z20)	1	
	14	4PA3529-5082G1	Sub-roller Assy.	1	
	15	2PP4120-1029P1	Scanner Bottom Plate	1	
	16	4PP3529-5039P1	Gear (Z81/15)	1	
	17	4PB3527-5803P1	Mini Clamp Holder	4	
	18	4YB4120-1137P1	Photo Sensor	2	
	19	4PP4120-1030P1	Sensor Spring	1	
	20	40141401	Contact Image Sensor-A4	1	300DPI
	21	3PA4120-1018G1	ADF Roller Assy.	1	
	22	40047601	Motor-S (FX-VP)	1	
	23		Screw		
	24	4PB4120-1024P001	Eject Pinch Roller	1	
	25	4PP4120-1025P001	Eject Pinch Spring	2	

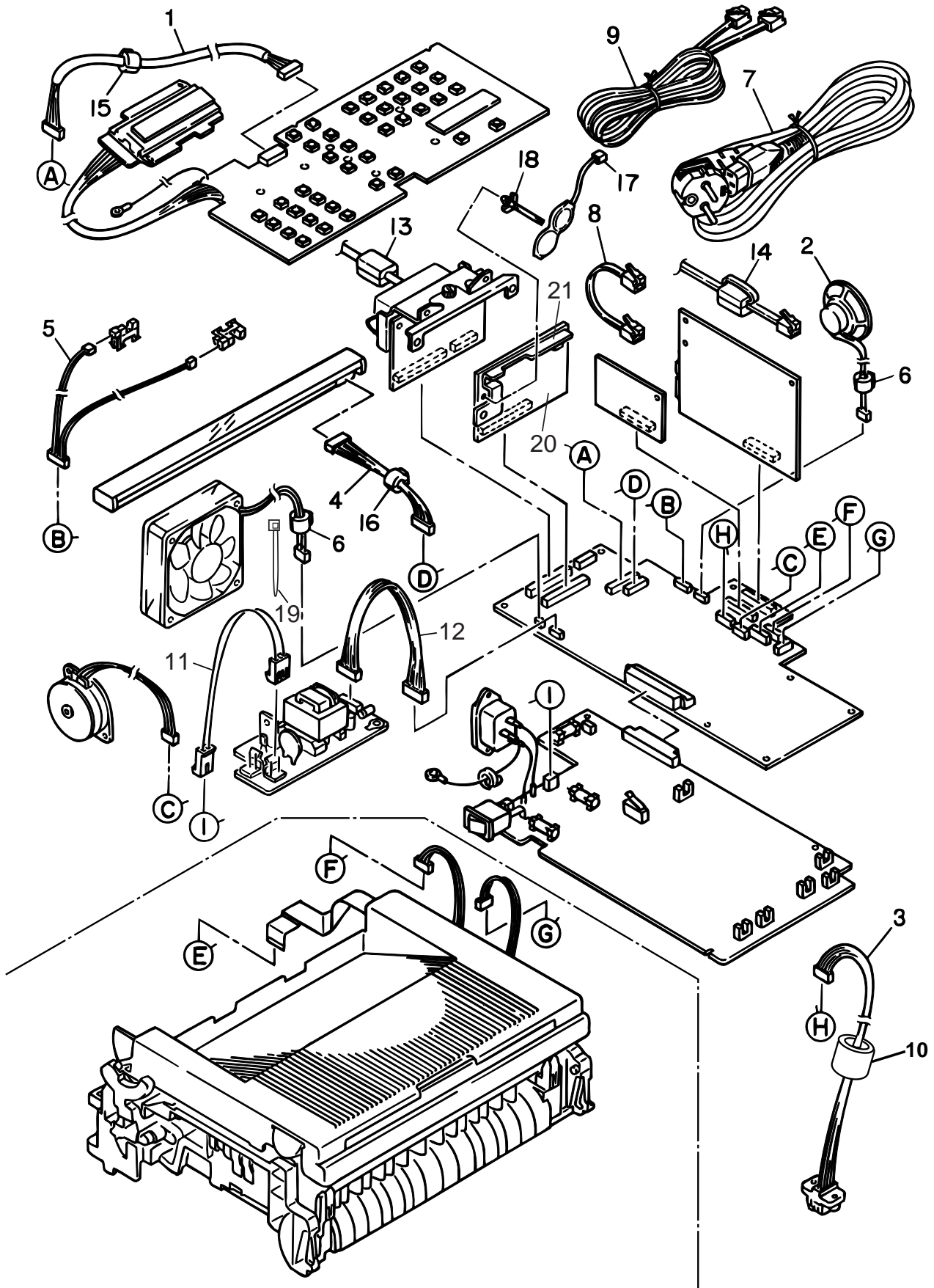
Okifax 5400

SECTION 6 PAPER GUIDE U ASSEMBLY



Okifax 5400

SECTION 7 CABLES



Okifax 5400

Section 7 CABLES

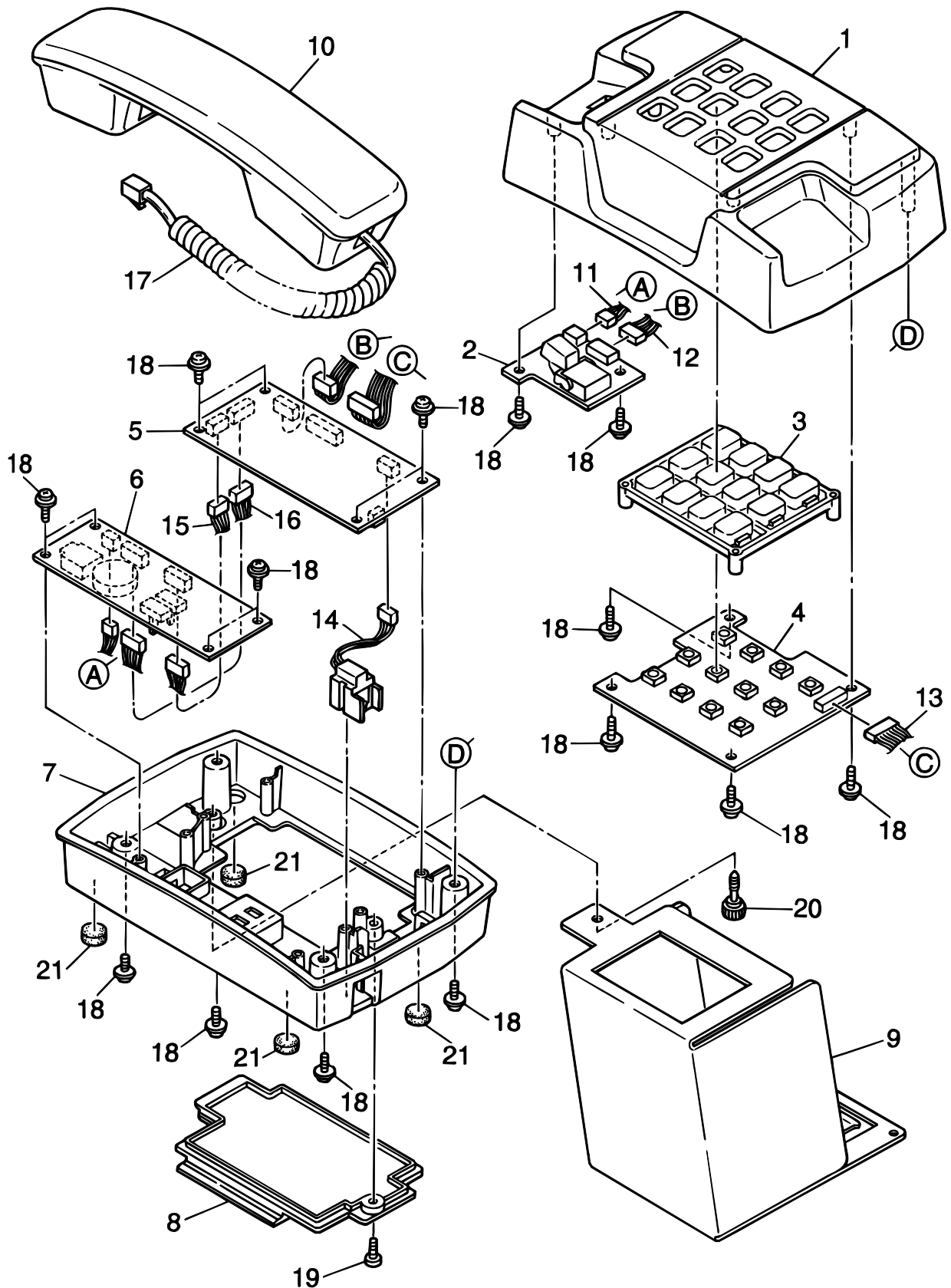
Rev.	No.	Oki parts Number	Description	Q'ty	Remarks
	1	40040002	CONN Cord-Wire (OPE)	1	
	2	4YB4120-1026P1	Speaker	1	
	3	3YS4111-3527P2	Connector Code (2nd Tray)	1	
	4	4YS4111-3441P1	P.W.A. Connector Cord	1	(CIS)
	5	4YS4111-3442P1	P.W.A. Connector Cord	1	(PC1/2)
	6	1051070C0001	TFC-16813 Core	2	
	7a	3YS4011-1329P2	AC CORD A	1	OKI-INT
	7b	4YS3512-1485P1	AC CORD	1	ODA Note 2
	7c	236A6058P0001	AC CORD	1	OEL Note 1
	8	4YS4111-5581P001	Cord (TEL1-TEL2)	1	
	9a	236A3161P2	TEL/LINE Cable	1	ODA
	9b	4YB3522-1297G1	TEL/LINE Cord	1	Bosch, GER Note 1
	10	105A1051C3002	Ferrite Core G	1	
	11	40048201	Connection Cord-Wire (PSU)	1	
	12	40040101	Connection Cord-Wire (SPSU)	1	
	13	105A1062C0002	0443-167251 Core	1	
	14	105A1068C1004	5FC-8 Core	1	
	15	105A1070C0004	TFC-23-11-14 Core	1	
	16	105A1070C0003	Ferrite Core E	1	
	17	4YB4120-1094P0001	Secondary Battery	1	
	18	4LP-1466	Snap Band		
	19	4LP-6401-B1	Tying Cord	1	
	20	40231702	Board-MEM-2MB	1	Bosch
	21	40029201	Plate-MEM	1	Bosch

Note 1: Parts will be supplied by OUK.

Note 2: Parts will be supplied by ODA.

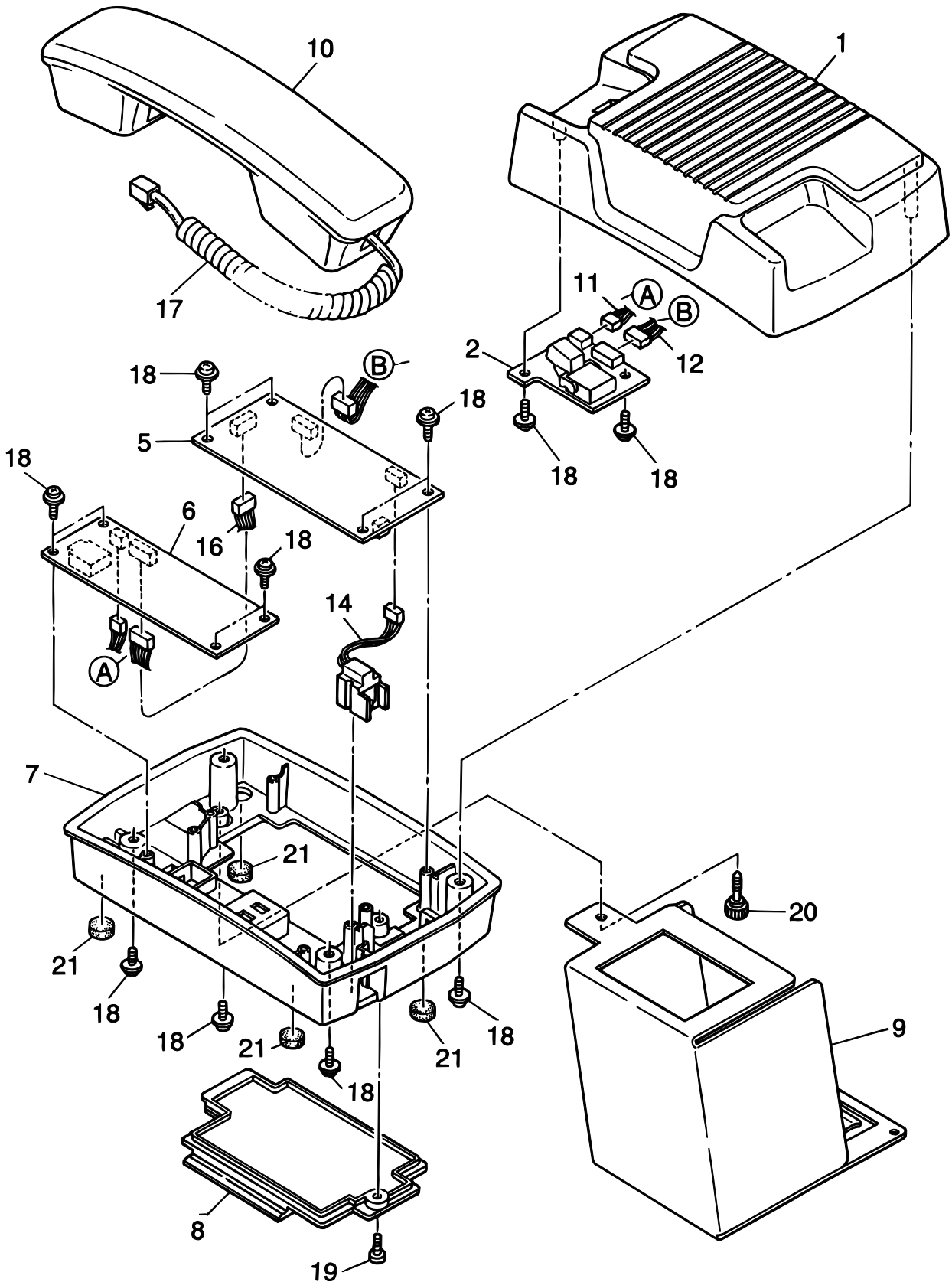
Okifax 5400

SECTION 8 OPTION TELEPHONE (UK, ITA, NOR, DEN, BEL)



Okifax 5400

SECTION 8 OPTION TELEPHONE (HOL, GER, FRA, SWITZ, AUT, INT'L)



Okifax 5400

Section 8 OPTION TELEPHONE (HOL, GER, FRA, SWITZ, AUT, INT'L)

OKIFAX 5400

Rev.	No.	Oki parts Number	Description	Q'ty	Remarks
	1	1PP4120-1095P011	Cradle	1	
	2	4YA4129-1006G001	Board-Hook	1	
	5a	4YU3528-1037G011	Board-TEL 11	1	SWITZ, AUS
	5b	4YU3528-1037G003	Board-TEL 3	1	HOL, OEL-INT'L
	5c	4YU3528-1038G013	Board-TEL 13	1	GER
	5d	4YU3528-1033G018	Board-TEL W2F	1	FRA
	5e	4YU3528-1037G007	Board-TEL 7	1	OKI-INT'L
	6a	4YA4129-1004G002	Board-NTIF	1	SWITZ, AUS
	6b	4YA4129-1004G003	Board-NTIF	1	HOL, OEL-INT'L, GER, OKI-INT'L
	6c	4YA4129-1004G004	Board-NTIF	1	FRA
	7	1PP4120-1096P001	Base-Cradle	1	
	8	3PP4120-1097P001	Cover-Terminal	1	
	9	3PA4120-1140G001	Attachment-Assembly	1	
	10	4YB3512-2029G004	Handset	1	
	11	4YS4111-5553P001	Connection-Cord	1	
	12	4YS4111-5552P001	Connection-Cord	1	
	14	4YS4111-5551P001	Moduler-Jack-Cord	1	
	16	4YS4111-5555P001	Connection-Cord	1	
	17	4YS3522-1252G002	Cord-Handset	1	
	18		Tapping-Screw	1	
	19		Screw		
	20	4PB4120-1136P001	Knob-Screw	1	
	21	4PB4016-1960P001	Rubber-Hoot	4	

Okifax 5400

Section 8 OPTION TELEPHONE (ABB, AB, FTZ, FR)

LANIER

Rev.	No.	Oki parts Number	Description	Q'ty	Remarks
	1	1PP4120-1095P012	Cradle	1	
	2	4YA4129-1006G001	Board-Hook	1	
	5a	4YU3528-1037G011	Board-TEL 11	1	ABB
	5b	4YU3528-1037G009	Board-TEL 9	1	AB
	5c	4YU3528-1038G013	Board-TEL 13	1	FTZ
	5d	4YU3528-1033G018	Board-TEL W2F	1	FR
	6a	4YA4129-1004G002	Board-NTIF	1	ABB
	6b	4YA4129-1004G003	Board-NTIF	1	AB, FTZ
	6c	4YA4129-1004G004	Board-NTIF	1	FR
	7	1PP4120-1096P002	Base-Cradle	1	
	8	3PP4120-1097P002	Cover-Terminal	1	
	9	3PA4120-1140G001	Attachment-Assembly	1	
	10	4YB3512-2029G001	Handset	1	
	11	4YS4111-5553P001	Connection-Cord	1	
	12	4YS4111-5552P001	Connection-Cord	1	
	14	4YS4111-5551P001	Moduler-Jack-Cord	1	
	16	4YS4111-5555P001	Connection-Cord	1	
	17	4YS3522-1252G002	Cord-Handset	1	
	18		Tapping-Screw	1	
	19		Screw		
	20	4PB4120-1136P001	Knob-Screw	1	
	21	4PB4016-1960P001	Rubber-Hoot	4	