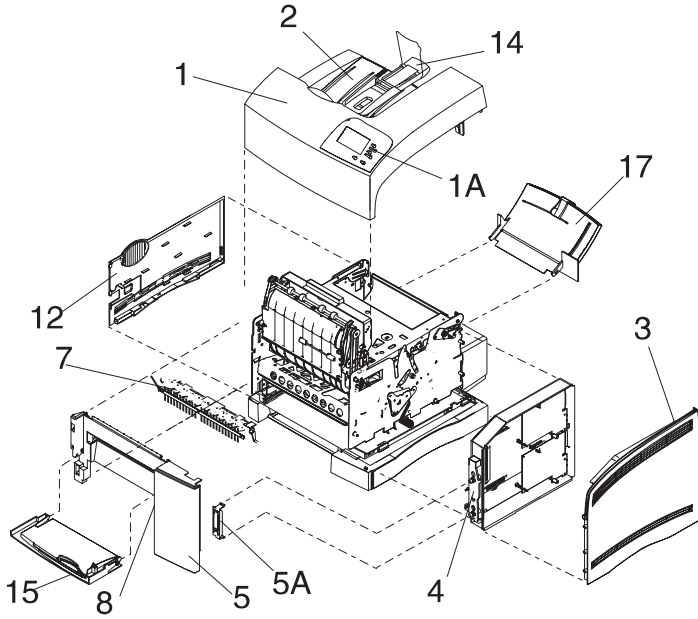


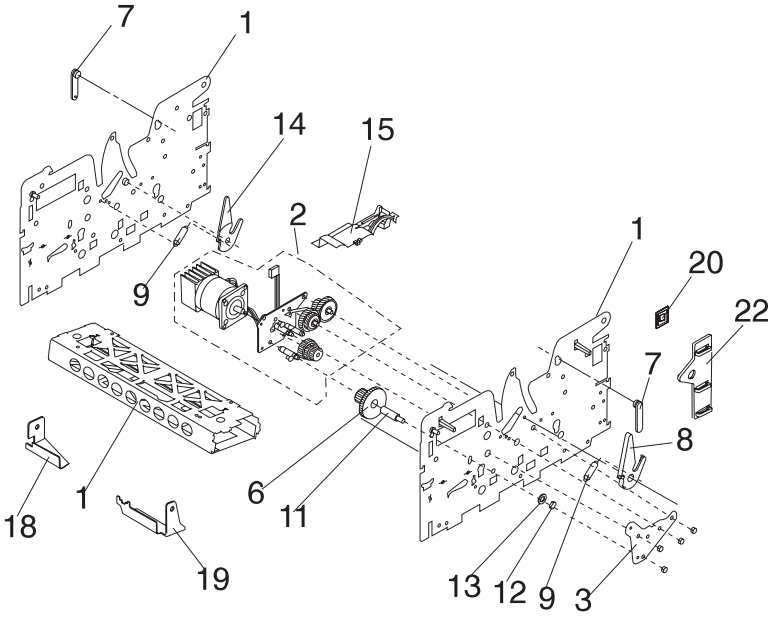
Assembly 1: Covers



4049-XXX

Asm-Index	Part Number	Units	Description
1-1	1408175	1	Top Cover, R
-1	1427491	1	Top Cover, Rx
-1	1408173	1	Top Cover, L
-1	1425483	1	Top Cover, Lx/Lxi
-1	69G3152	1	Top Cover, Rt
-1	1381852	1	Top Cover, R ⁺
-1	1381851	1	Top Cover, Rt ⁺
-1	1381850	1	Top Cover, Lx ⁺ /Lxi ⁺
-1A	1381631	1	Operator Panel Asm
NS		4	Screw, Operator Panel-Parts Packet 1381663
NS	1408172	1	Plug, Printhead Adjustment, R/Rx/Rt
-2	1381656	1	Tray Asm, Stacker, L/Lx
NS		1	Spring, Stacker-Parts Packet 1381666
-3	1408176	1	Right Cover Asm
-4	1381865	1	Plastic Latch, Right Cover
-4	1381862	1	Metal Latch, Right Cover
NS	1408233	1	Spring, Right Cover Latch
-5	1408184	1	Front Cover Asm, R/Rx/Rt (plastic latch)
-5	1408384	1	Front Cover Asm, L/Lx (plastic latch)
-5	69G9481	1	Front Cover Asm, R/Rx/Rt (metal latch)
-5	69G9482	1	Front Cover Asm, L/Lx (metal latch)
-5A	1381858	1	Bracket, Front Cover Retaining (plastic latch)
-5A	1381864	1	Bracket, Front Cover Retaining (metal latch)
-7	1329070	1	Output Deflector
-8	69G9483	1	Output Deflector Lever, W/spring
-12	1408188	1	Left Cover
-14	1381657	1	Paper Stop Asm, R/Rx/Rt
-14	1381658	1	Paper Stop Asm, L/Lx
-15	1381875	1	Cover Asm, Front Exit Tray
-17	1408394	1	Manual Feed Tray with guide

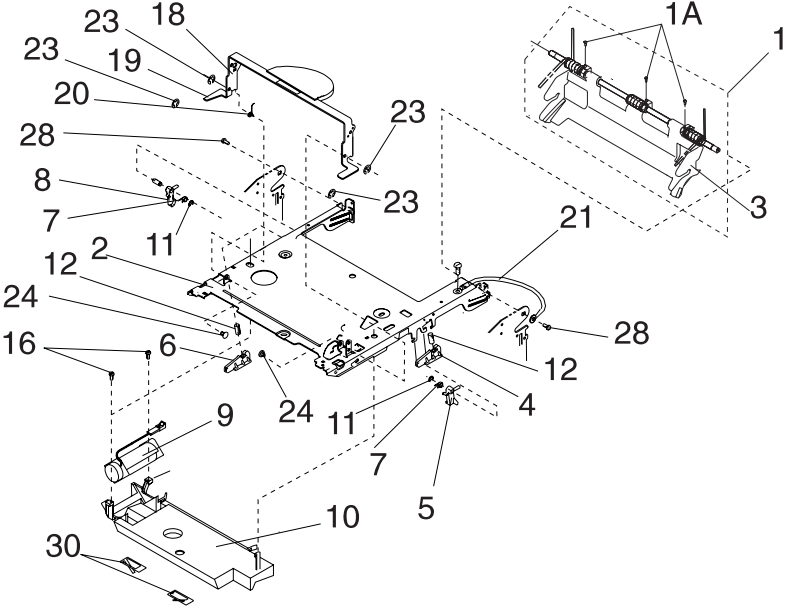
Assembly 2: Lower Frame



4049-XXX

Asm-Index	Part Number	Units	Description
2-1	1381667	1	Lower Frame Assembly
-2	1381632	1	Motor, Brkt. and Gear Asm, R/L/Rt
-2	1381633	1	Motor, Brkt. and Gear Asm, Lx/Rx/R ⁺ /Rt ⁺ /Lx ⁺
-3	1408572	1	Plate Asm. Gear Box Mtg.
NS	1408779	1	Clip, Ground, Motor Mtg.
NS		2	Mtg. Screw, Motor Asm-Parts Packet 1381663
NS		4	Mtg. Nut, Gear Asm.-Parts Packet 1381663
-6	1328243	1	Gear No. 2
-7	1039391	2	Detent, Box
-8	1329013	1	Right Cartridge Latch
-9		1	Spring, Parts Packet 1381666
-11	1039271	1	Shaft, Gear 2
-12		1	Nut, Gear 2, Parts Packet 1381663
-13		1	Lockwasher, Gear 2, Parts Packet 1381663
-14	1329144	1	Left Cartridge Latch
-15	1408645	1	Gear Train Cover
-18	1328428	1	LH Bracket, Duplex
-19	1328427	1	RH Bracket, Duplex
NS		1	Screw, Duplex Bracket, Parts Packet 1381663
-20	1039476	1	Grommet, Printhead Cable
-22	1408623	2	Cable Clamp
NS	1408721	1	Guide, Cable
NS		4	Screw, Cable Clamp, Parts Packet 1381663

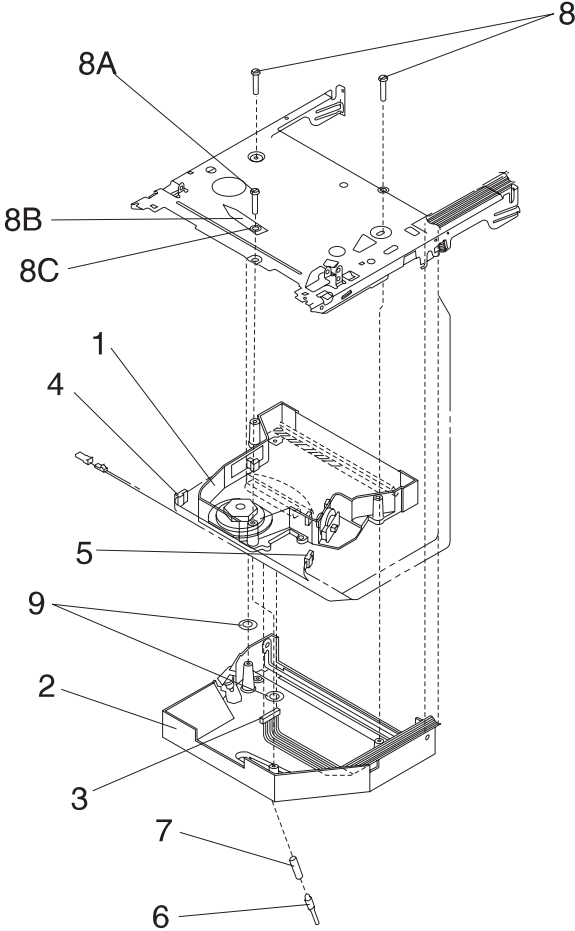
Assembly 3: Upper Frame



4049-XXX

Asm-Index	Part Number	Units	Description
3-1	1325196	1	Cover Hinge Asm R/Rx/Rt (does not include the load box)
-1	1381045	1	Cover Hinge Asm L/Lx (does not include the load box)
-1A		1	Screw, Cover Hinge Parts Packet 1381663
-2	1325103	1	Upper Plate Asm R/Rx/Rt
-2	1328218	1	Upper Plate Asm L/Lx
-3	1427306	1	Cartridge Load Box
-4		1	Right Cam Button, Parts Packet 1381663
-5	1039693	1	Right Bellcrank
-6		1	Left Cam Button, Parts Packet 1381663
-7		1	Spring, Bellcrank, Parts Packet 1381666
-8	1039692	1	Left Bellcrank
-9	1383998	1	Fan Asm
NS	1424481	1	Pad, Acoustic (Fan)
-10	1328222	1	Plenum Asm
-11		1	Retainer, Parts Packet 1381663
-12		1	Spring, Parts Packet 1381666
-16		2	Screw, Plenum Mtg., Parts Packet 1381663
-18	1408616	1	Handle Latch, with Grip, R/Rx/Rt
-18	1408216	1	Handle Latch, with Grip, L/Lx
-19	1328308	2	Sleeve
-20		1	Spring, Handle-Parts Packet 1381666
-21		2	Ground Strap, Parts Packet 1381669
-23		1	Retainer, E-Clip, Parts Packet 1381663
-24		1	Pivot, Handle--Parts Packet 1381663
-27		1	Washer, Parts Packet 1381663
-28		2	Screw, Shaft Mtg., Parts Packet 1381663
-30	1328467	1	Spring, Plenum

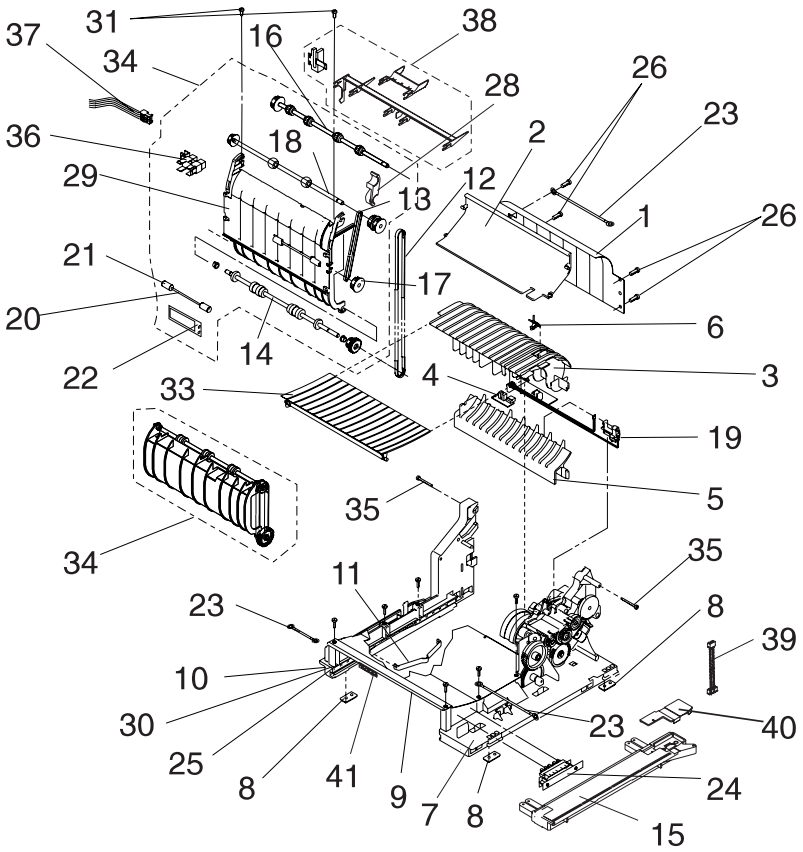
Assembly 4: Printhead



4049-XXX

Asm-Index	Part Number	Units	Description
4-1	1381635	1	Printhead
-2	1328431	1	Printhead Shroud Assembly
-3	1408033	1	Cable, Fan/Mirror Motor
-4	1408034	1	Cable, hsync
NS	1038199	1	Cable, Tie
-5	1425284	1	Cable, Laser (Install with marked end to Printhead)
-6		1	Pin, Parts Packet 1381666
-7		1	Spring, Parts Packet 1381666
-8		2	Screw, Printhead Mtg., Parts Packet 1381663
-8A		1	Screw, Hex Headed Parts Packet 1381663
-8B		1	Pointer, Parts Packet 1381663
-8C		1	Clip, Hex Screw Ground, Parts Packet 1381663
-9		2	Retainer, Parts Packet 1381663

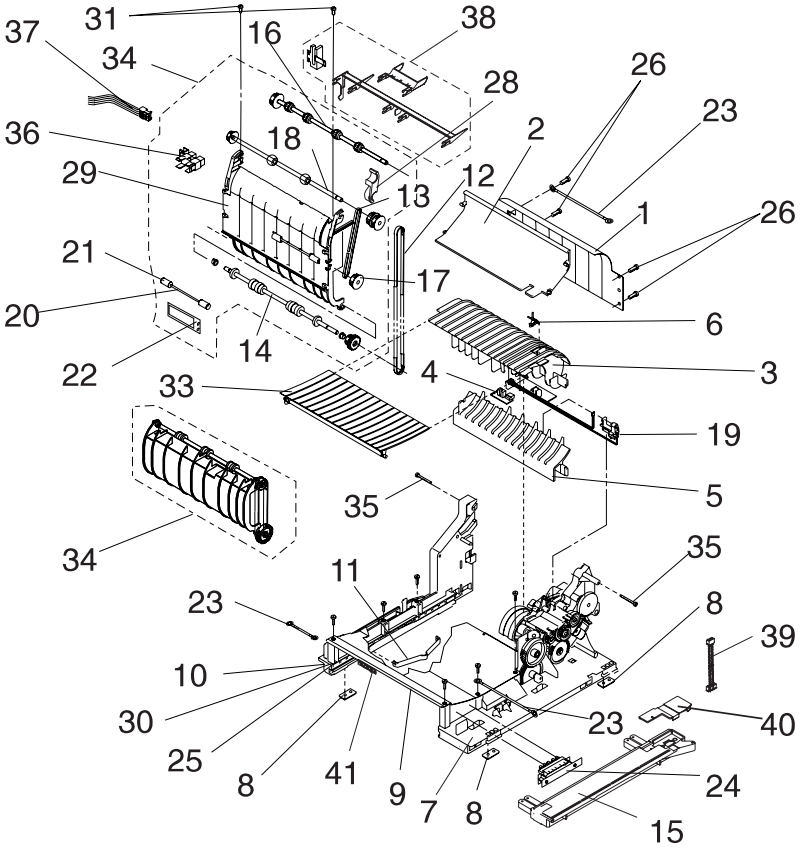
Assembly 5: Paper Feed



4049-XXX

Asm-Index	Part Number	Units	Description
5-1	1039101	1	Outer Deflector
-2	1183597	1	Upper Deflector
-3	1381670	1	Inner Deflector with Roller
NS	1381919	1	o Roller Asm
-4	1381636	1	Input Sensor Board
-5	1408859	1	Lower Deflector
-6		1	Flag, Input Sensor, Parts Packet 1381669
-7	1408703	1	Rt Rail Asm (without Gears)
-7	1381801	1	Rt Rail Asm w/Gears & Paper Solenoid
-8	1039170	4	Machine Pad
-9	1408690	1	Toner Shield
-10	1328317	1	Left Frame
-11	1039175	1	Tray Frame Spring
-12	1042211	1	Belt, Redrive R/Rx/Rt
-12	1328192	1	Belt, Redrive, L/Lx
-13	1328193	1	Belt, Auxiliary L/Lx
-14	1381912	1	Shaft Asm, Lower Redrive
-15	1408249	1	Extension Asm, Right Rail
-16	1381908	1	Shaft Asm, Upper Redrive
-17	1381914	1	Shaft Asm, Auxiliary Shaft L/Lx
-18	1381910	1	Shaft Asm, Middle Redrive R/Rx/Rt
-18	1328173	1	Shaft Asm, Middle Redrive L/Lx
-19	1381073	1	Toner Sensor
-20	1381915	1	Shaft, L/Lx
-21	1381926	2	Roller, backup L/Lx
-22	1328321	1	Spring, backup L/Lx
-23		2	Jumper, Ground, Parts Packet 1381669
-24	1381015	1	Sensor Asm, Paper Size
-25	1183244	1	Arm, Tray Frame
-26		4	Screw, Deflector Mtg, PP 1381663

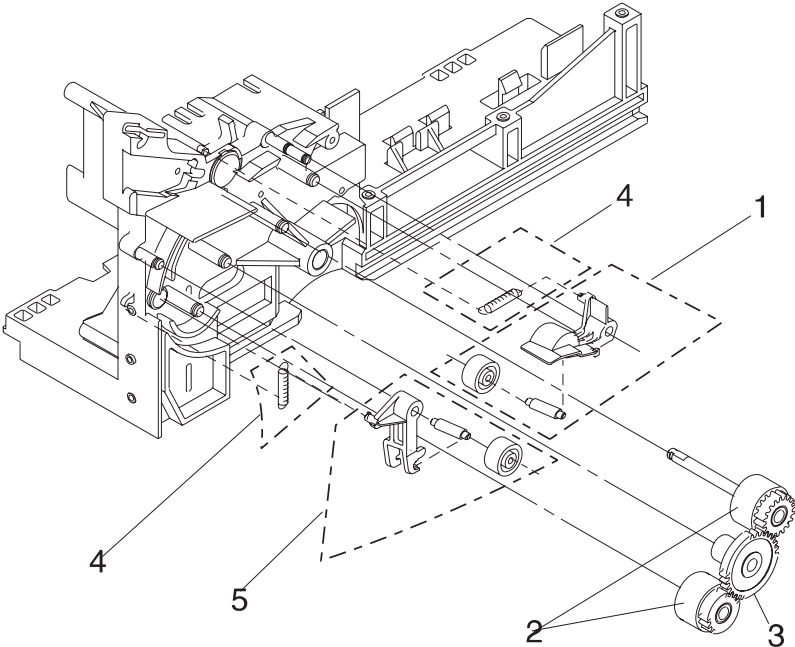
Assembly 5: Paper Feed (Continued)



4049-XXX

Asm-Index	Part Number	Units	Description
5-28	1402325	1	Bearing
NS	1328450	1	Spring, Shaft Grd. L/Lx
NS	1427418	1	Spring, Shaft Grd. R/Rx/Rt
-29	1408717	1	Outer Redrive Shield, R/Rx/Rt
-29	1328381	1	Outer Redrive Shield L/Lx
NS		2	Screw Backup Spring Mtg., Parts Packet 1381663
-30		1	Spring, Arm Tray Bias, Parts Packet 1381666
-31		2	Screw, Redrive Mtg., Parts Packet 1381663
-33	1038186	1	Guide, Fuser Input
-34	1381895	1	Redrive Assembly L/Lx
-34	1381899	1	Redrive Assembly, R/Rx/Rt
-35		6	Screw, Frame to Paper Feed, Parts Packet 1381663
NS	1328345	1	Spring, Bias, Transfer Housing
-36	1381298	1	Output Bin Sensor L/Lx
-37	1408064	1	Cable, Output Bin/Op Panel (Output Bin lead has no connection on R/Rx/Rt)
-38	1381567	1	Guide, Bail, and Minibail Kit (R/Rx/Rt uses Minibail only)
-39	1408061	1	Cable, Tray 2 (Tray 3 for Rt) Blind Mate
-40	1408792	1	Cover, Tray 2 Cable Opening
-41	1408892	1	Cable, Duplex Autoconnect

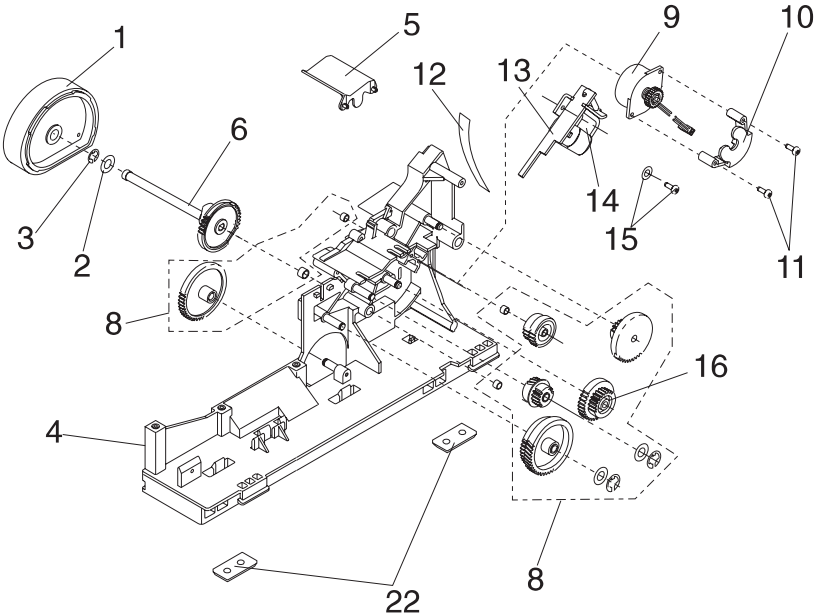
Assembly 6: Paper Feed Alignment Gears



4049-XXX

Asm-Index	Part Number	Units	Description
6-1	1427307	1	Bellcrank, Metering
-		1	o Shaft
-		1	o Bellcrank
-		1	o Roll
-		1	o Thrust Washer
-2	1381145	1	Kit, Prealigner and Auxiliary Rollers
-3	1039278	1	Gear, Idler, Prealigner
-4		1	Spring, Prealigner and Metering Bellcranks, Parts Packet 1381666
-5	1328384	1	Bellcrank, Prealigner
-		1	o Shaft
-		1	o Roll
-		1	o Bellcrank
-		1	o Thrust washer
N/S	1383580	1	Anchor Repair Kit (Metering)
N/S	1383908	1	Anchor Repair Kit (Prealigner)

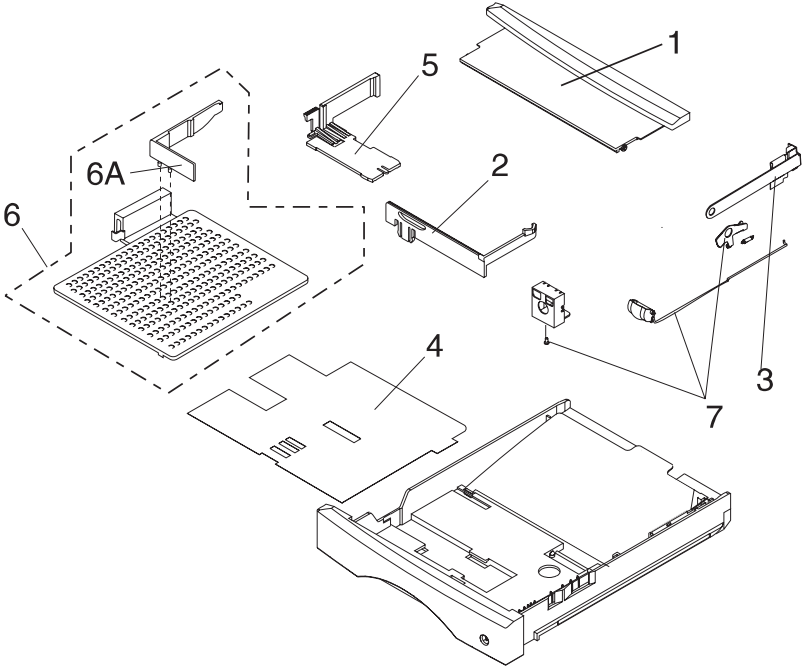
Assembly 7: Paper Feed Drive



4049-XXX

Asm-Index	Part Number	Units	Description
			Note: Machine may have either torquer motor (items 9, 10, and 11) or paper pick solenoid (items 12, 13, 14, and 15).
7-1	69G5480	1	D-Roller Asm
-2	1328279	1	Washer, Thrust
-3		1	Clip, D-roll, Parts Packet 1381663
-4	1408703	1	Rail Assembly, Right (w/o gears)
-4	1381801	1	Rail Asm, Right, with Gears and Paper Pick Solenoid
-5	1328313	1	Shield, D-Roll
-6	1328454	1	Shaft, D-Roll with Gear 11 (Solenoid)
-6	1381726	1	Shaft, D-Roll with Gear 11 (Torquer Motor)
-8	1381886	1	Gear Kit
-9	1381306	1	Torquer Motor
-10	1408243	1	Adapter, Torquer Motor
-11		1	Screw, Parts Packet 1381663
-12		1	Spring, Gear Advance, Parts Packet 1383316
-13	1383433	1	Solenoid, Paper Pick
-14		1	Spring, Magnet Arm, Parts Packet 1383316
-15		1	Screw & washer, Parts Packet 1383314
-16	1381881	1	Gear 9, Solenoid
-22	1039170	1	Machine Pad

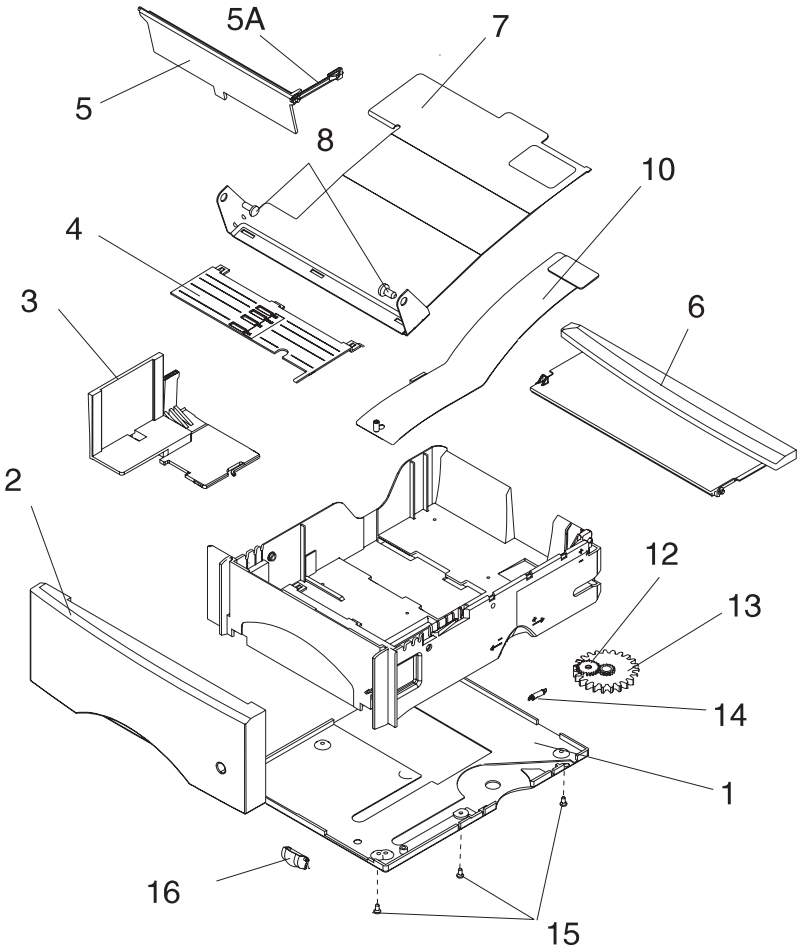
Assembly 8: Standard Paper Tray (200-Sheet)



4049-XXX

Asm-Index	Part Number	Units	Description
8-	1364894	1	Paper Tray Assembly, 11 in. (200-sheet)
-	1364893	1	Paper Tray Assembly, 14 in. (200-sheet)
-	1364892	1	Paper Tray Assembly for Labels, 11 in. (200-sheet)
-	1364890	1	Paper Tray Assembly for Labels, 14 in. (200-sheet)
-	1364891	1	Paper Tray Assembly, A5
-1	1408170	1	Cover, 14 in.
-2	1408725	1	Paper Stop
-3	1381577	1	Corner Buckler
-4	1408732	1	Liner, 11 in.
-4	1408733	1	Liner, 14 in.
-5	1408724	1	Adjustable Guide
-6	1058486	1	Universal Paper Tray
-6A	1058488	1	Guide, Universal Paper Tray
-7	1381661	1	Kit, Paper Level Indicator

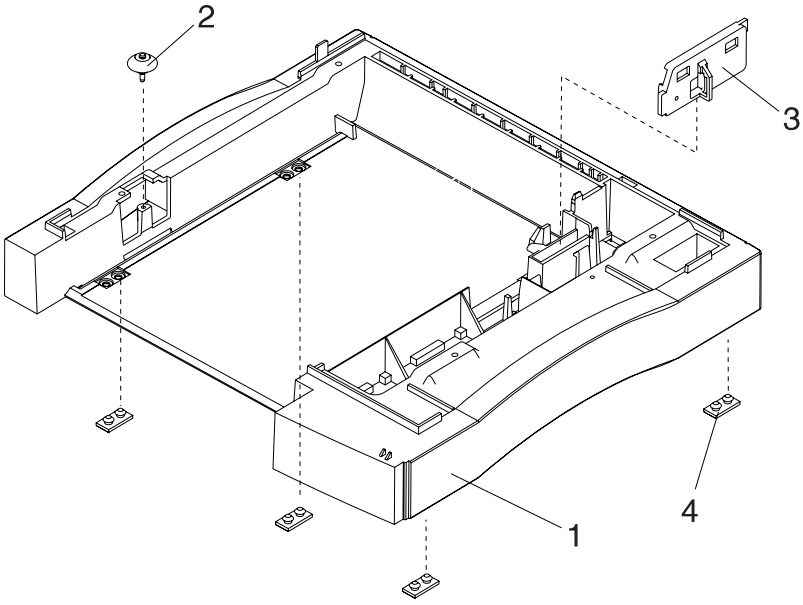
Assembly 9: Paper Tray (500-Sheet)



4049-XXX

Asm-Index	Part Number	Units	Description
9-	1381813	1	Paper Tray Assembly, Std. (450g Spring) 11 in.
-	1381814	1	Paper Tray Assembly, Std. (450g Spring) 14 in.
-	1381816	1	Paper Tray Assembly, Light Weight Labels (550g spring), 11 in.
-	1381815	1	Paper Tray Assembly, Light Weight Labels (550g spring), 14 in.
-	1381807	1	Paper Tray Assembly, Heavy Weight Labels (650g spring), 11 in.
-	1381808	1	Paper Tray Assembly, Heavy Weight Labels (650g spring), 14 in.
-	1381809	1	Paper Tray Assembly, Super Heavy Weight Labels (750g spring), 11 in.
-1	1408361	1	Bottom Cover 11 in.
-1	1408362	1	Bottom Cover 14 in.
-2	1381660	1	Cover, Front Trim 11 in.
-2	1408369	1	Cover, Front Trim 14 in.
-3	1408708	1	Paper Guide
-4	1408387	1	Slide 11 in.
-4	1408388	1	Slide 14 in.
-5	69G9056	1	Paper Stop
-5A	1408710	1	Slider, Paper Stop
-6	1408170	1	Cover 14 in.
-7	1195835	1	Pivot Plate, with label
-8		2	Retainer, Parts Packet 1381663
-10	1424558	1	Spring Assembly, (450g)
-11		1	Setscrew, Parts Packet 1381663
-12	1039594	1	Thumb Wheel Gear
-13	1408707	1	Wheel
-14	1039597	1	Detent Spring
-15		2	Screw, Parts Packet 1381663
-16	1408389	1	Indicator, Paper Level

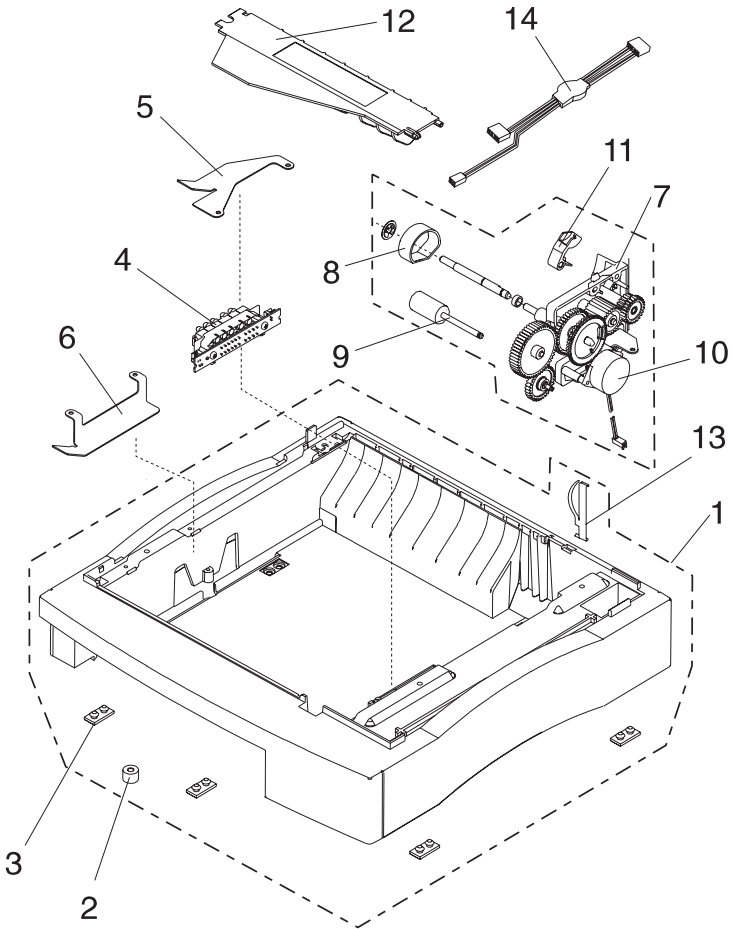
Assembly 10: Base for Paper Drawer (500-Sheet)



4049-XXX

Asm-Index	Part Number	Units	Description
10-1	1408289	1	Housing
-2	1039558	1	Roll
-3	1409146	1	Plate Assembly, Gear
-4	1039170	4	Pad, Machine
NS	1328674	1	Clip, Ground
NS		4	Screw, PP 1381663

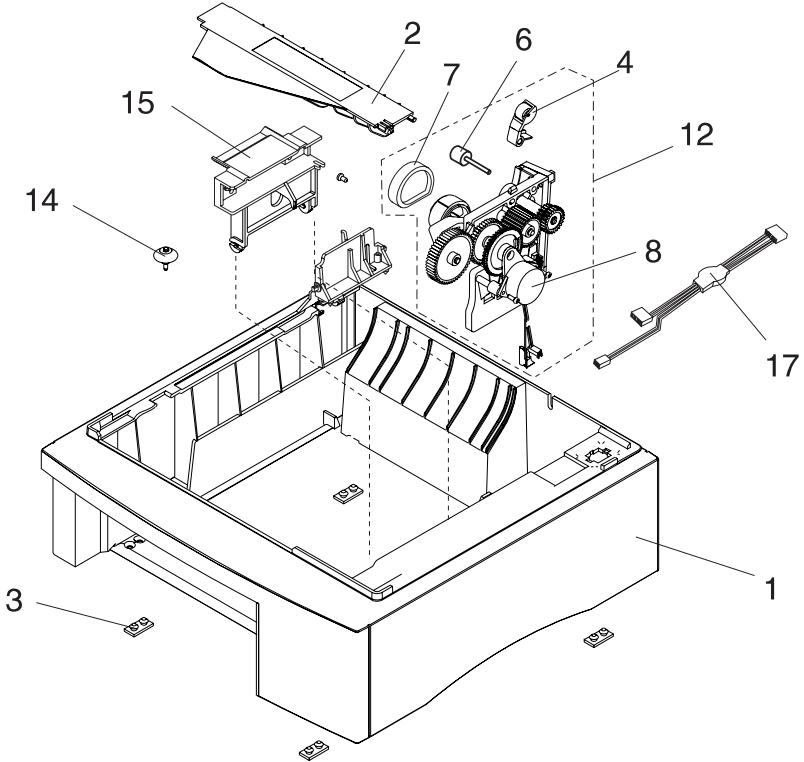
Assembly 11: Second Paper Drawer, (200-Sheet)



4049-XXX

Asm-Index	Part Number	Units	Description
11-1	1381836	1	Base Asm, Second Drawer, Rt
-1	1381860	1	Base Asm, Second Drawer, Non-Rt
-2	1381837	1	Detent Roller
-3	1381838	4	Foot
-4	1383922	1	Switch Asm
-5	1381839	1	Tray Guide, Right
-6	1381841	1	Tray Guide, Left
-7	1381831	1	Drive Asm
NS	1381918	1	o Drive Asm Gear Kit
-8	1381842	1	D-Roller Tire
-9	1381843	1	Drive Roller
-10	1381306	1	Torquer Motor
-11	1381844	1	Bellcrank Asm
-12	1381845	1	Deflector
-13	1381846	1	Ground Clip
-14	1381847	1	Cable, Engine Board, Rt
-14	1408062	1	Cable, Non-Rt
-NS	1381861	1	Mounting Plate, Connector, Non-Rt
-NS		1	Screw, Parts Packet 1381663

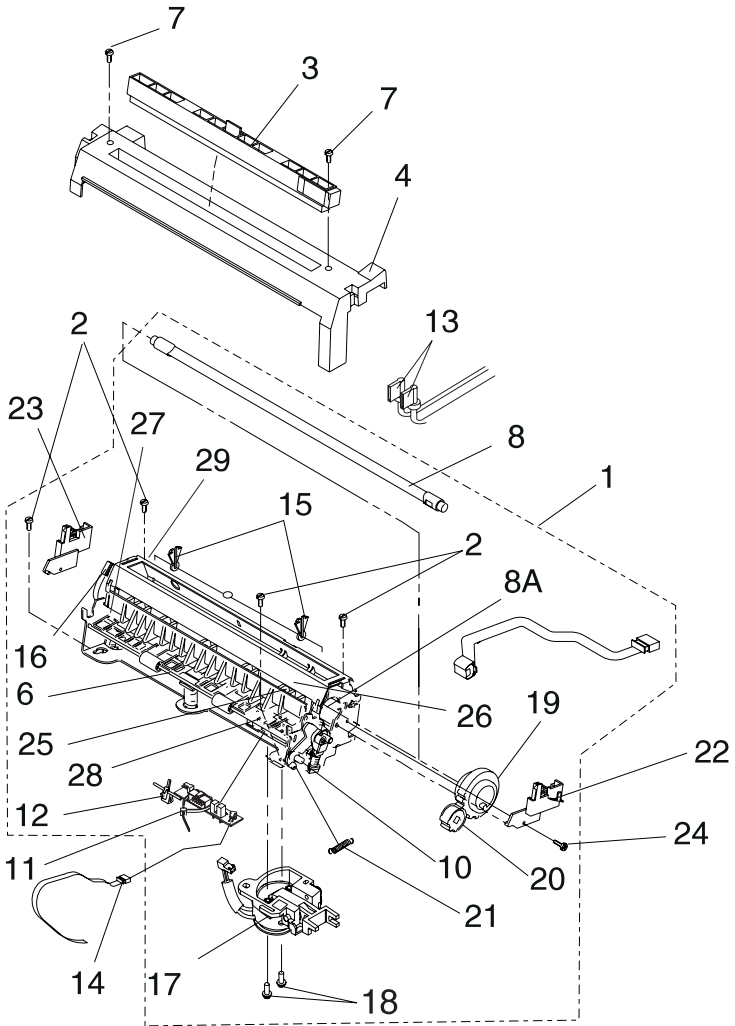
Assembly 12: Optional Paper Drawer (500-Sheet)



4049-XXX

Asm-Index	Part Number	Units	Description
12-1	1408161	1	Base Assembly
-2	1328630	1	Deflector
-3	1039170	4	Feet
-4	1039596	1	Bellcrank Assembly
NS		1	Spring, Bellcrank--Parts Packet 1381666
-6	1039603	1	Drive Roller
-7	1039540	1	D-Roller Tire
-8	1381306	1	Torquer Motor
-11		1	Spring--Parts Packet 1381666
-12	1381638	1	Drive Assembly
NS	1381920	1	o Drive Asm Gear Kit
-14	1039558	1	Roller
-15	1183299	1	Switch Assembly
-16		1	Screws--Parts Packet 1381663
-17	1381887	1	Cable, Paper Drawer

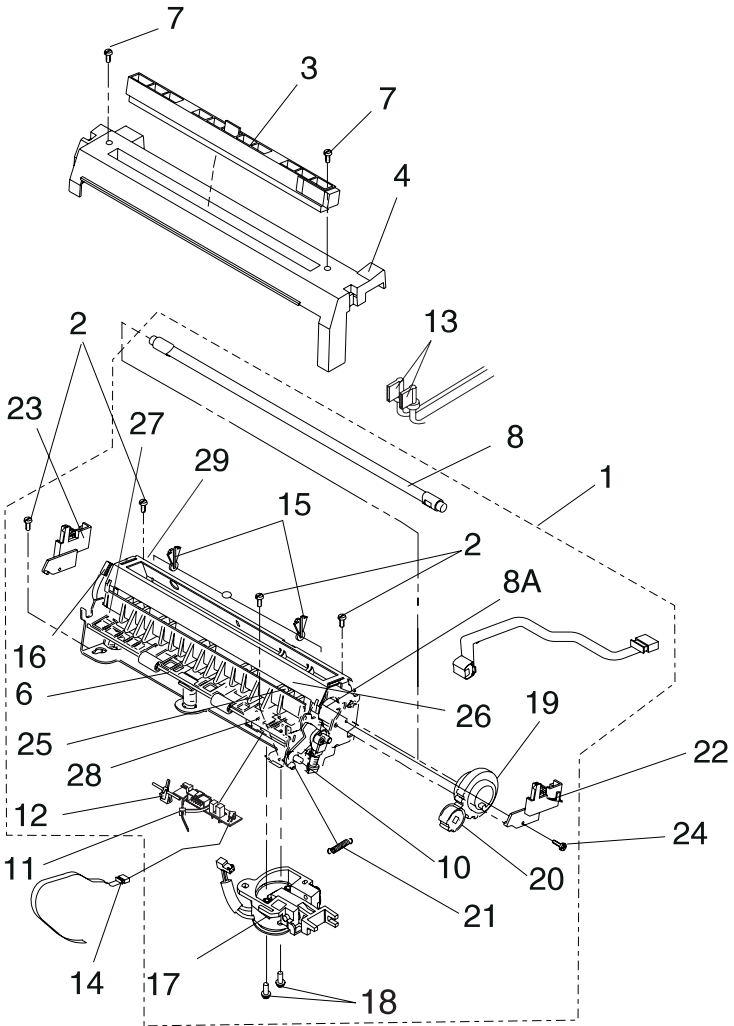
Assembly 13: Fuser



4049-XXX

Asm-Index	Part Number	Units	Description
13-1	1381639	1	Fuser and Lamp 110 V R/L/Rt
-1	1381641	1	Fuser and Lamp 220 V R/L/Rt
-1	1381640	1	Fuser and Lamp 110 V Rx/Lx/R+/Rt+/Lx+
-1	1381642	1	Fuser and Lamp 220 V Rx/Lx/R+/Rt+/Lx+
-2		4	Screw, Fuser Mounting, Parts Packet 1381663
-3	1382287	1	Fuser Wiper Assembly (supply item)
-4	1328132	1	Fuser Cover
-6		1	Spring Redrive Exit, Parts Packet 1381666
-7		2	Screw, Parts Packet 1381663
-8	1381523	1	Fuser Lamp 110 V R/L/Rt. Install lamp with color-coded end away from gear.
-8	1381524	1	Fuser Lamp 220 V R/L/Rt. Install lamp with color-coded end away from gear.
-8	1381011	1	Fuser Lamp 110 V Rx/Lx/R+/Rt+/Lx+. Install lamp with color-coded end away from gear.
-8	1381037	1	Fuser Lamp 220 V Rx/Lx/R+/Rt+/Lx+. Install lamp with color-coded end away from gear.
-8A	1381146	1	Hot Roll Assembly With Bearings
NS	1329928	1	Backup Roll
-10	1328458	1	Redrive Idle Arm Asm
-11	1381687	1	Paper Exit Bd Asm
-12		1	Flag, Parts Packet 1381669
-13	1039481	1	Fuser Power Cable
-14	1381662	1	Cable, Fuser/Paper Size Sensor

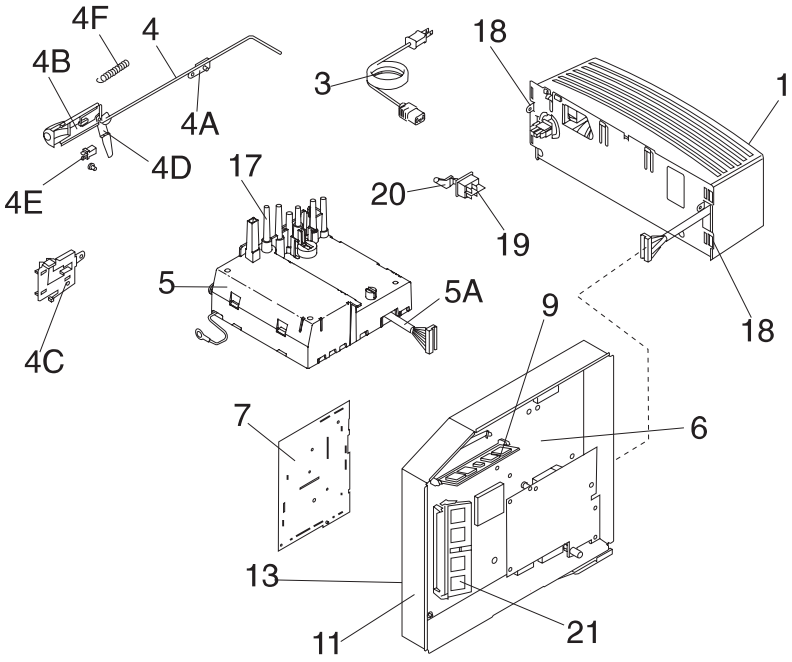
Assembly 13: Fuser (Continued)



4049-XXX

Asm-Index	Part Number	Units	Description
13-15	1328134	3	Clips, Thermal Fuse
-16	1381888	1	Bail Handle
-17	1381018	1	Fuser Solenoid Asm
-18		2	Screw, Solenoid Mtg., Parts Packet 1381663
-19	1328124	1	Gear No. 1, Hot Roll
-20		1	Gear 18T Redrive, Parts Packet 1381665
-21		1	Spring, Redrive Idler Parts Packet 1381666
-22	1328437	1	Contact Asm, Right Lamp
-23	1328438	1	Contact Asm, Left Lamp
-24		2	Screw, Mtg., Parts Packet 1381663
-25	1039316	5	Detack Fingers
-26	1039317	5	Detack Finger Springs
-27	1427473	1	Detack Housing, W/Fingers and Springs
-28	1375937	1	Lower Exit Guide
-29	1381786	1	Shroud, W/Thermal Fuse, Thermistor, and Clips, R/L/Rt
-29	1381788	1	Shroud, W/Thermal Fuse, Thermistor, and Clips, Rx/Lx/R ⁺ /Rt ⁺ /Lx ⁺
NS	1381826	1	Thermistor, high temperature

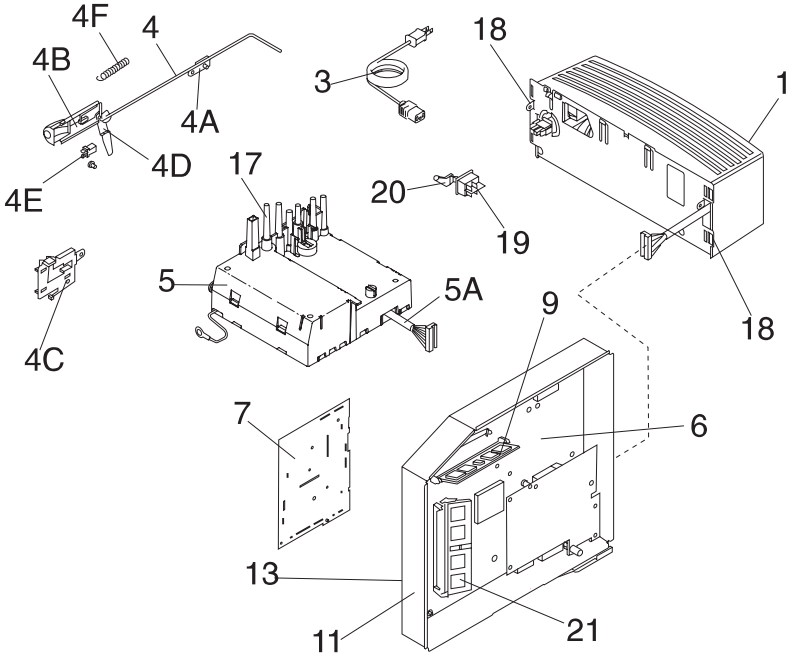
Assembly 14: Electronics



4049-XXX

Asm-Index	Part Number	Units	Description
14-1	1381643	1	LV Power Supply 110 V
-1	1381644	1	LV Power Supply 220 V
NS	1328463	1	Fuse, LVPS SB 12A 110 V
NS	1328464	1	Fuse, LVPS 6.3A 220 V
-3	1342514	1	Power Cord Set, U.S./Canada/Mexico/ Central and South America/Saudi Arabia (LV)
-3	1342530	1	Power Cord Set, Germany/France/Spain/ Norway/Finland/the Netherlands/Austria/ Belgium/Brazil/Greece/Luxembourg/Portu- gal/Sweden/Turkey/Indonesia/Saudi Arabia (HV)
-3	1342532	1	Power Cord Set, S. Africa
-3	1342533	1	Power Cord Set, Switzerland
-3	1342534	1	Power Cord Set, Chile/Italy
-3	1342535	1	Power Cord Set, Denmark
-3	1342536	1	Power Cord Set, New Zealand/Australia/ Argentina/Paraguay
-3	1342537	1	Power Cord Set, Israel
-3	1342543	1	Power Cord Set, UK/Malaysia/Singapore
-4	1408274	1	Rod, on/off
-4A	1408277	1	Support, Rod on/off
-4B	1408198	1	Actuator, On/Off
-4C	1408275	1	Plate, On/Off Actuator
-4D	1408276	1	Lever, Pivot
-4E	1408272	1	Latch, On/Off
-4F		1	Spring, PP 1381666
-5	1381645	1	HV Power Supply, with Cable
-5A	1381653	1	Cable, HVPS,
-6	1381853	1	RIP Board, Lx/Rx/Lx ⁺
-6	1381854	1	RIP Board, R/Rt/L/R ⁺ /Rt ⁺
NS	69G3072	1	Jumper, Engine Board, Rt (J16)
NS	1408063	1	Cable, Erase Lamps/Input Sensor

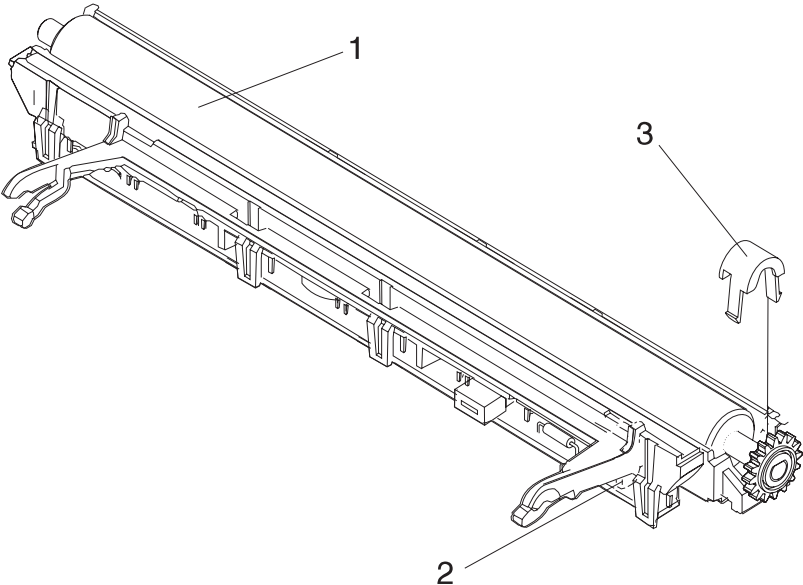
Assembly 14: Electronics (Continued)



4049-XXX

Asm-Index	Part Number	Units	Description
14-7	1381792	1	Engine Board, R/L/Rt
-7	1381796	1	Engine Board, Lx/Rx/R+/Rt+/Lx+
-9	1364877	1	DRAM SIMM 4MB, Rx/L/Lx
-9	1364921	1	DRAM SIMM 2MB, R/Rt
-9	1364876	1	DRAM SIMM 8MB, Lxi
-11	1381651	1	Inner EMC Shield, R/Rt/L/Lx/Rx
-11	1381848	1	Inner EMC Shield, R+/Rt+/Lx+
NS	1381664	1	Standoff Kit, Board Mounting
-13	1408106	1	Guide, Font Card
NS		2	Screw, HVPS Mtg., Parts Packet 1381663
-18		2	Screw, LVPS Mtg., Parts Packet 1381663
-19	1383513	1	Switch On/Off
-20	1039456	1	Switch Pivot
-21	1381840	1	ROM SIMM, R/Rt/L/Lx/Rx
-21	1381872	1	ROM SIMM, Lx+/R+/Rt+

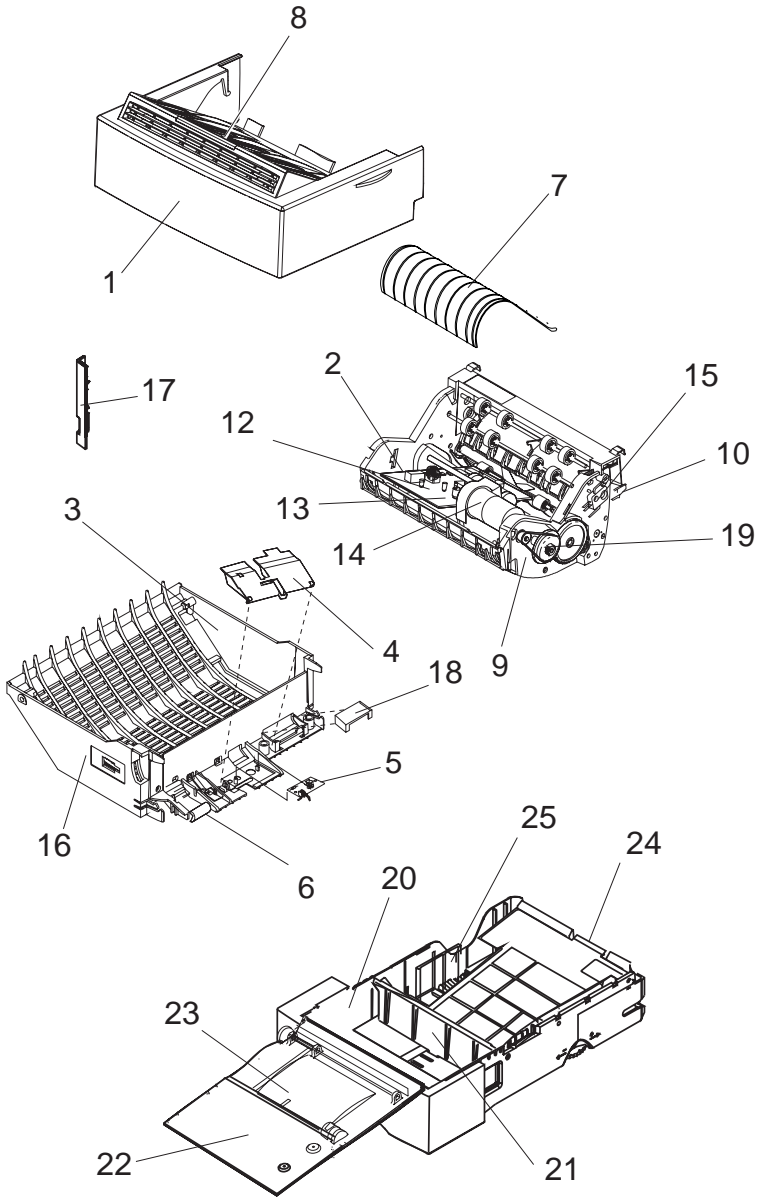
Assembly 15: Transfer Roll



4049-XXX

Asm-Index	Part Number	Units	Description
15	1381922	1	Transfer Roll Asm, complete
15-1	1381008	1	Roll Asm, Transfer, With Right Bearing
-2	1381652	1	Housing, Transfer
		1	o Rear Lens Asm, Erase
		1	o Contact, Transfer Roll
		1	o Lamp Asm, Erase
-3	1328356	1	Cover, Clip Bearing
NS	1381923	1	Erase Lamp Asm w/lens

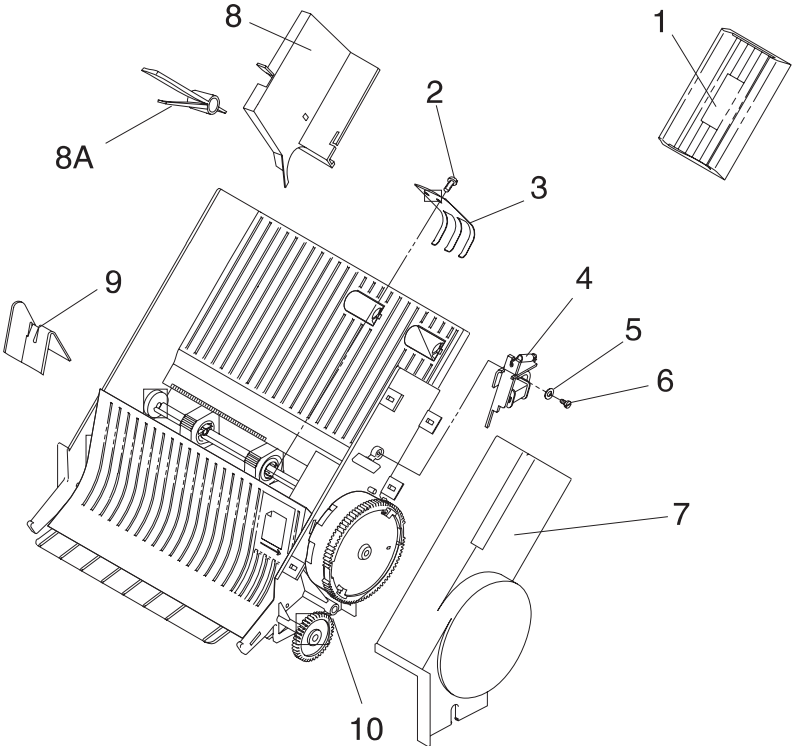
Assembly 16: Duplex Option



4049-XXX

Asm-Index	Part Number	Units	Description
16-1	1381551	1	Top Cover Asm
-2	1381552	1	Duplex System Card
-3	1381554	1	Bottom Cover
-4	1408940	1	Exit Sensor Cover
-5	1381555	1	Exit Sensor Asm
-6	1381602	1	Bellcrank Kit
-7	1408905	1	Table Cover (Floor)
-8	1408949	1	Paper Stop/Slide
-9	1381558	1	Gear Block Frame Asm
-10	1381559	1	Input Sensor Card
-12	1326042	1	Cable, Stepper Motor
-13	1408918	1	Cable, Sensor, and Autoconnect
-14	1381025	1	Paper Feed Motor (DC)
-15	1326113	1	Switch Asm Cover Open
-16	1381570	1	Switch Asm, Front Exit
-17	1408969	1	Cover, Corner Trim
-18	1408942	1	Cover, Auto-connect Plug
-19	1326064	1	Belt, Paper Drive
-20	1381803	1	Tray Asm, 300 w/Top Cover L/Lx
-20	1364882	1	Tray Asm, 130 w/Top Cover R/Rx/Rt
-21	1408888	1	Paper Stop, 300 Tray
-21	1408880	1	Paper Stop,130 Tray
-22	1381560	1	Top Cover, Paper Tray
-23	1038708	1	Belt, Paper Tray
-24	1408883	1	Down Stop, 130 Tray
-24	1408887	1	Down Stop, 300 Tray
-25	1408879	1	Guide, Edge, 130 Tray
NS	1381561	1	Gear Parts Pack
NS	1381048	1	Flag Parts Pack

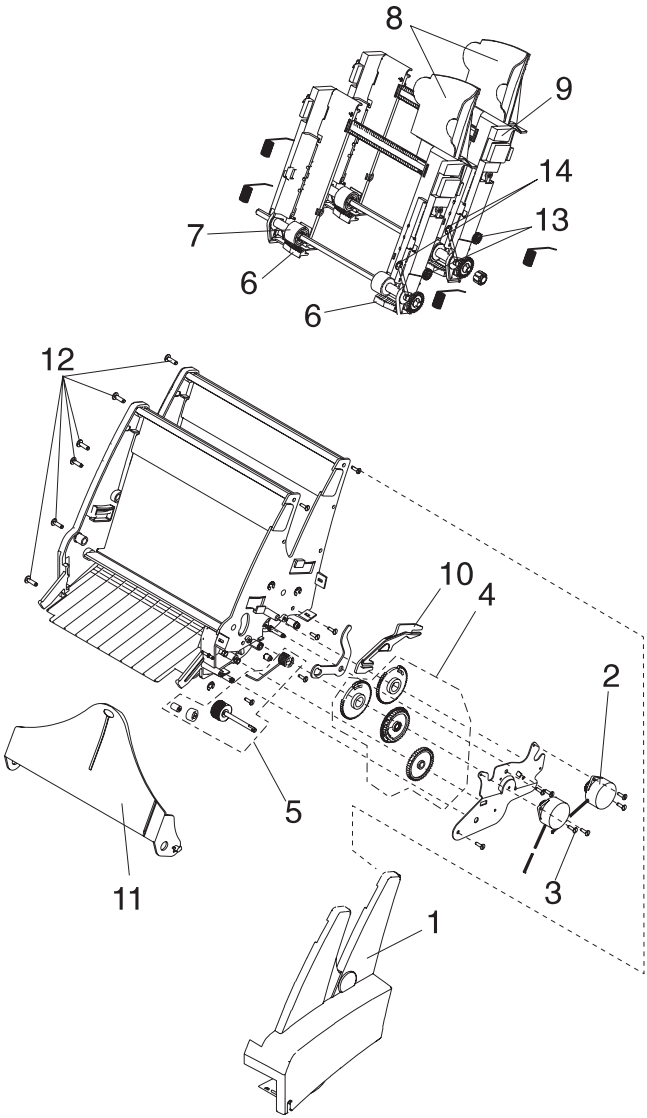
Assembly 17: Envelope+ and 100-Sheet Auxiliary Feeder



4049-XXX

Asm-Index	Part Number	Units	Description
17-	1408893	1	Envelope+ Feeder
-	1364895	1	100-Sheet Auxiliary Feeder
-1	1408862	1	Weight Assembly
-2	1622529	1	Screw
-3	1039615	1	Spring
-4	1383944	1	Magnet Assembly
-5	1622303	1	Washer
-6	1622536	1	Screw, Mtg
-7	1408869	1	Cover, Right
-8	1408868	1	Guide, Large
-8A	1408861	1	Latch, Guide
-9	1408863	1	Guide, Small
-10	1183273	1	Spring, Override Lever (100-Sheet Auxiliary Feeder Only)
NS	1383934	1	Roller Pack (Envelope+ Feeder Only)
NS	1383935	1	Roller Pack (100-Sheet Auxiliary Feeder Only)

Assembly 18: Dual Rear Feeder



4049-XXX

Asm-Index	Part Number	Units	Description
18-	1381799	1	Dual Rear Feeder
-1	1381832	1	Cover, Right
-2	1381798	1	Dual Torquer Asm
-3		4	Screw, Torquer, PP 1367169
-4	1381793	1	Gear Kit
-5	1381794	1	Roller Kit
-6	1367019	1	Envelope Buckler Kit
-7	1367463	2	Pick Roll Hub Kit
-8	1381833	2	Extender
-9	1381795	2	Edge Guides & Width Adjust Strip Kit
-10	1381834	1	Slider
-11	1381797	1	Door
-12		3	Screw, Frame, PP 1367169
-13	1381835	2	Paper Load Shaft
-14		4	Clip, PP 1367169

4049-XXX

Asm-Index	Part Number	Units	Description
19-1	1381928	1	Cover with A.C. inlet & cable and printer designator switch & cable
-2	1381930	1	Bottom Plate
-3	1381931	1	Door Assembly
-4	1381929	1	Rear Paper Path Deflector
-5	1381945	1	Power Supply
-6	1381932	1	Cable harness with circuit board, power supply and printer connectors
-7	1381934	1	Door Switch Cable Assembly
-8	1381942	1	Feeder Subassembly, U.S.
-8	1381943	1	Feeder Subassembly, A4
-9	1381941	1	Paper feed roller kit with retainers
-10	1381933	1	Circuit Board, *check A4/U.S. jumper position
-11	1381935	1	Elevator Motor with pinion
-12	1381936	1	Paper feed motor with pinion
-13	1381937	1	Microswitch, upper limit with cable
-14	1381938	1	Microswitch, lower limit with cable
-15	1381939	1	Microswitch, paper out with cable
-16	1381940	1	Microswitch, feeder ready with cable
-17	1381953	1	Power Jumper Cable
NS	1381944	1	Parts Packet

Assembly 20: Options

Asm-Index	Part Number	Units	Description
20-2	1364923	1	1MB Flash SIMM
-3	1364922	1	2MB Flash SIMM
-4	1364879	1	4MB Flash SIMM
-5	1364921	1	2MB DRAM SIMM
-6	1364877	1	4MB DRAM SIMM
-7	1364876	1	8MB DRAM SIMM
-8	1364875	1	16MB DRAM SIMM
-9	1364874	1	32MB DRAM SIMM
-10	13A0339	1	4MB DIMM
-11	13A0340	1	8MB DIMM
-12	13A0349	1	DE SIMM for IPDS
-13		1	Option Cards
-	1381050	1	o INA-LocalTalk
-	1446702	1	o INA-Ethernet 10BASE2
-	1402217	1	o INA-Token Ring
-	1402218	1	o INA-Ethernet 10BASE-T
-	1446702	1	o INA-Ethernet, Combined 10BASE2/ 10BASE-T
-	13A0294	1	o INA-SCS
-	13A0295	1	o INA-IPDS
-	13A0296	1	o 9 pin-to-Twinax cable, SCS or IPDS
-	13A0297	1	o 9 pin-to-BNC cable, SCS or IPDS
-	13A0298	1	o 9 pin-to-9 pin set up cable
-	1328563	1	o Thumbscrew, INA
-11	1364915	1	Font Card Adapter
-12	1381856	1	Hard Disk, 100MB, (40MB Drive No Longer Available; Use 100MB Drive)
-13	1381730	1	Stat Alert Light
-13A	1381728	1	Lens/Bulb Kit, Stat Alert Light

Assembly 21: Miscellaneous

Asm-Index	Part Number	Units	Description
-	1319128	1	Parallel Wrap Plug
-	1329048	1	Serial Wrap Plug
-	1381663	1	Fasteners parts packet
-	1381666	1	Springs parts packet
-	1381665	1	Gears (7-14) parts packet
-	1381145	1	Metering and Prealigner rolls parts packet
-	1329301	1	Grease, 2g
-	1384076	1	Grease, conductive 1 oz.
-	1383586	1	Grease, damping, 1 oz.
-	9900692	1	Grease, IBM #23
-	1280443	1	Oil, IBM #10 4 oz.
-	1381561	1	Duplex Gears parts packet
-	1381048	1	Duplex Flags parts packet
-	1381669	1	Jumpers/Flags parts packet
-	1381664	1	Standoffs parts packet
-	1381661	1	Indicator parts packet, 200-sheet tray
-	1383314	1	Thumbscrew, parallel cable