

8

Parts and diagrams

Chapter contents

Chapter contents.....	197
Ordering parts and supplies	198
Parts	198
Related documentation and software	198
Supplies	198
Consumables and accessories.....	199
Assembly locations.....	202
Covers.....	206
Internal assemblies.....	208

Ordering parts and supplies

Parts

Order replacement parts from the following Web sites:

h30074.www3.hp.com/csn-aux/srvcdlvry/epdo/default/ePDOLogin.asp (technicians)

h20141.www2.hp.com/hpparts (customers)

Related documentation and software

Order documentation and software from the companies listed in the following table; some documentation and software is available at the following Web sites.

Table 8-1. Technical support Web sites

HP Customer Care Online Software drivers, support documentation, and answers to frequently asked questions	www.hp.com/support
HP Technical Training (North America) Classes and schedules	education.itrc.hp.com/TrainerII/en-US/index.jsp

Supplies

Printer supplies are listed in this chapter. Consumables are available directly from HP at the following numbers.

- US: 800-538-8787
- Canada: 800-387-3154 (in Toronto: 416-671-8383)
- United Kingdom: 0734-441212
- Germany: 0130-3322

Contact your local HP Parts Coordinator for other local phone numbers.

Consumables and accessories

Product name	Description	Product number	Part number
Print cartridges			
UltraPrecise print cartridge	2,500-page print cartridge for the HP LaserJet 1160 printer	Q5949A	Q5949A
UltraPrecise print cartridge	2,500-page print cartridge for the HP LaserJet 1320 Series printer	Q5949A	Q5949A
UltraPrecise print cartridge	6,000-page print cartridge for the HP LaserJet 1320 Series printer	Q5949X	Q5949X
Pickup roller	Tray 2 pickup roller	RL1-0540-000CN	RL1-0540-000CN
Separation pad	Separation pad for 250-sheet feeder	RM1-1298-000CN	RM1-1298-000CN
Tray 2	Tray 2 for HP LaserJet 1160 printers	RM1-1322-000CN	RM1-1322-000CN
Tray 2	Tray 2 for HP LaserJet 1320 Series printers	RM1-1292-000CN	RM1-1292-000CN
250-sheet paper feeder (tray 3)	Optional 250-sheet paper feeder for HP LaserJet 1320 Series printers	Q5931A	Q5931A
HP Jetdirect 175x fast-Ethernet external print server (value line, USB port)	Jetdirect print server Must be version C or later.	J6035C	J6035C
HP Jetdirect 300x print server for fast Ethernet (parallel port)	Jetdirect print server	J3263A	J3263A
HP Jetdirect 500x print server for fast Ethernet (parallel port)	Jetdirect print server	J3265A	J3265A
HP Jetdirect 380x 802.11b wireless external print server (full featured, USB port)	Jetdirect print server	J6061A	J6061A
HP Jetdirect en3700 fast Ethernet print server	Jetdirect print server	J7942A	J7942A

Product name	Description	Product number	Part number
HP Jetdirect ew2400 802.11b/g	Jetdirect print server	J7951A	J7951A
HP bt1300 Bluetooth Wireless Printer Adapter (both USB and parallel)	Jetdirect print server	J6072A	J6072A

Assembly locations

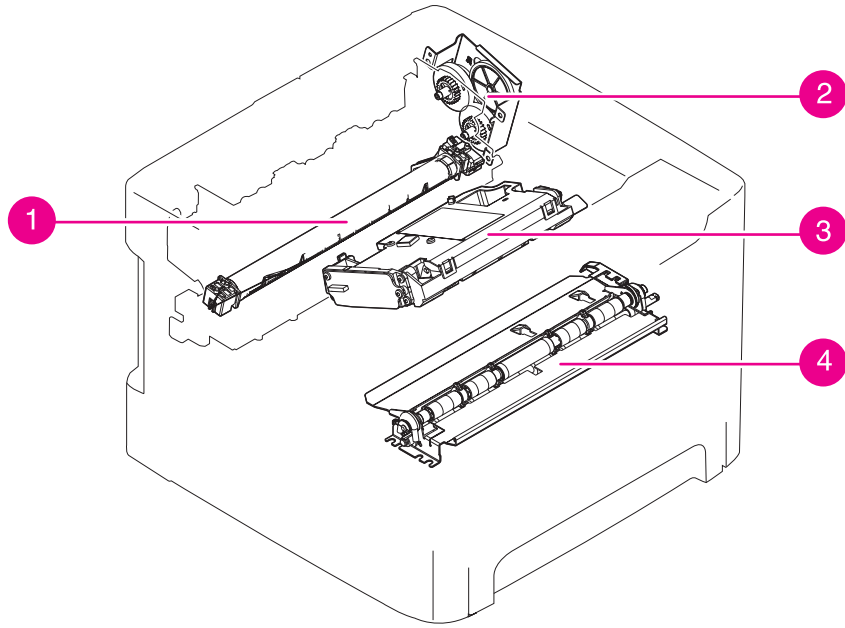


Figure 8-1. Assembly locations (1 of 2)

Table 8-2. Assembly locations (1 of 2)

Ref	Description	Part number	Qty
1	Fuser film	(Contained in fuser.)	N/A
2	Gear assembly, top output bin (HP LaserJet 1160 printers)	RM1-1305-000CN	1
2	Duplex-drive assembly (HP LaserJet 1320 Series printers)	RM1-1302-000CN	1
3	Laser/scanner	RM1-1470-000CN	1
4	Registration assembly	RM1-1281-000CN	1

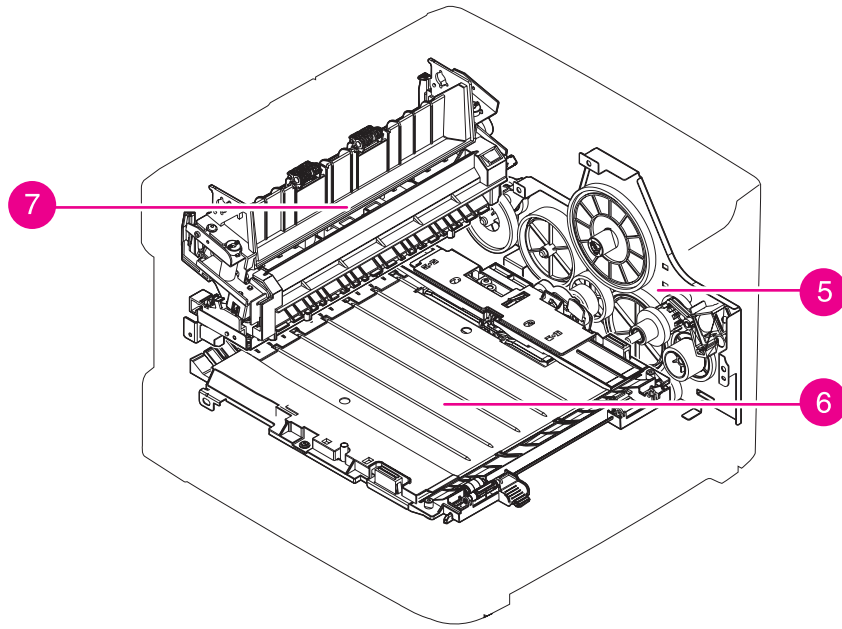


Figure 8-2. Assembly locations (2 of 2)

Table 8-3. Assembly locations (2 of 2)

Ref	Description	Part number	Qty
5	Main gear assembly	RM1-1299-000CN	1
6	Duplexer (HPLJ 1320)	RM1-1313-000CN	1
7	Fuser, 110-127 V	RM1-2325-000CN	1
7	Fuser, 220-240 V	RM1-2326-000CN	1

Covers

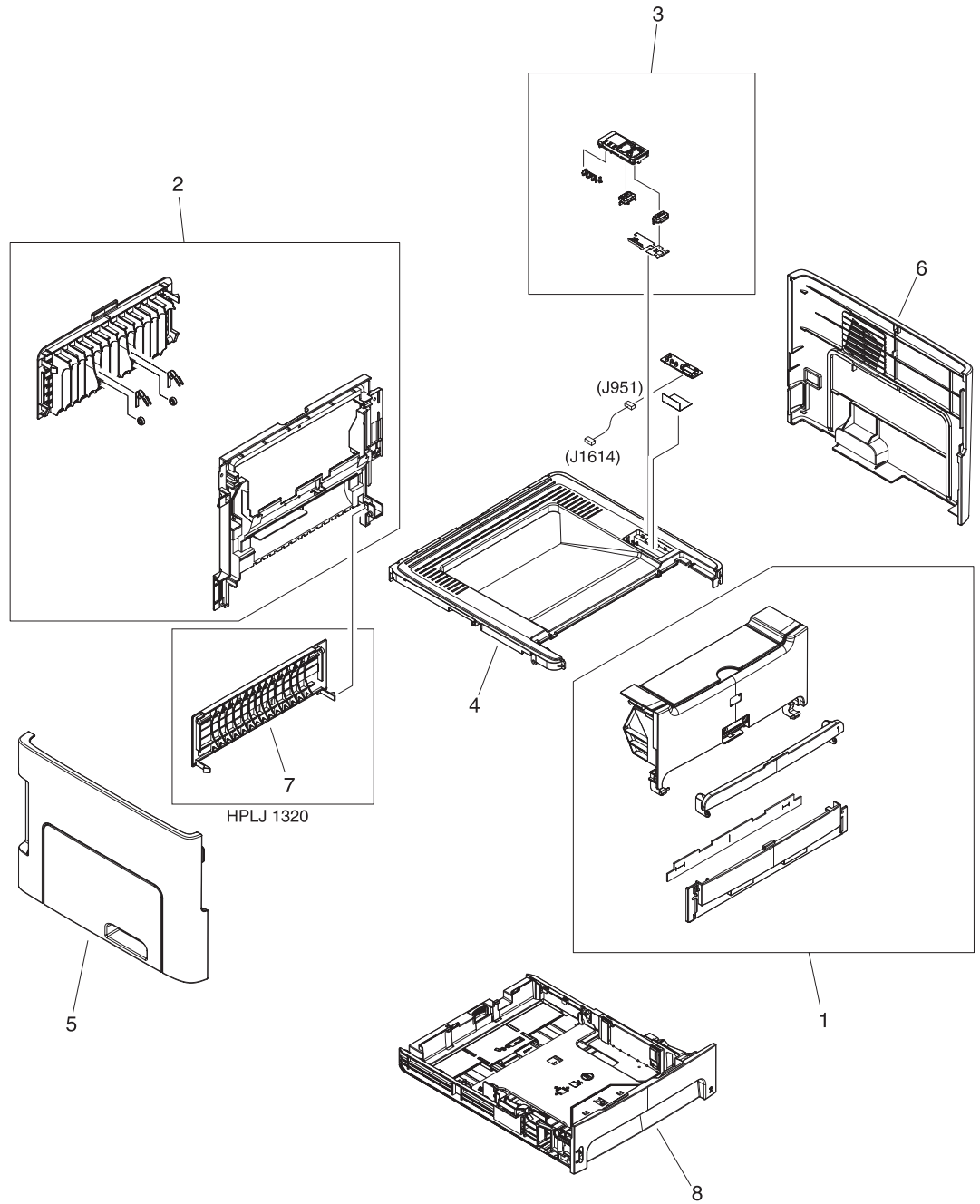


Figure 8-3. Covers

Table 8-4. Covers

Ref	Description	Part number	Qty
1	Front cover assembly (HPLJ 1320)	RM1-1307-000CN	1
1	Front cover assembly (HPLJ 1160)	RM1-1324-000CN	1
2	Rear cover assembly (HPLJ 1320)	RM1-1308-000CN	1
2	Rear cover assembly (HPLJ 1160)	RM1-1325-000CN	1
3	Control panel assembly (HPLJ 1160)	RM1-1311-000CN	1
3	Control panel assembly (HPLJ 1320)	RM1-1312-000CN	1
4	Cover, top (HPLJ 1320)	RC1-3800-000CN	1
4	Cover, top (HPLJ 1160)	RC1-3801-000CN	1
5	Cover, left	RC1-3812-000CN	1
6	Cover, right	RC1-3814-000CN	1
7	Cover, rear, duplexer (HPLJ 1320)	RC1-3819-000CN	1
8	Tray 2 (HPLJ 1160)	RM1-1322-000CN	1
8	Tray 2 (HPLJ 1320)	RM1-1292-000CN	1

Internal assemblies

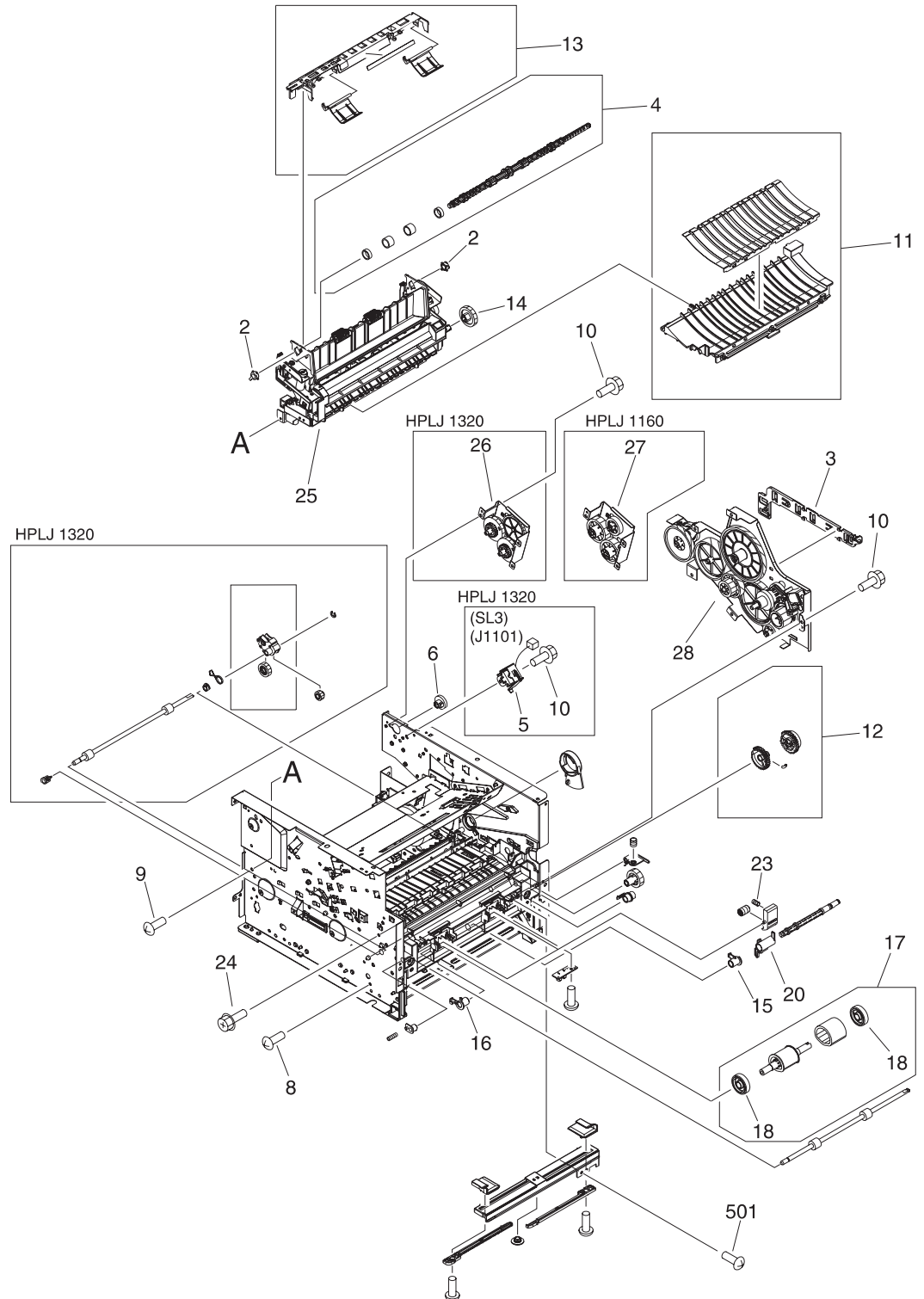


Figure 8-4. Internal components (1 of 4)

Table 8-5. Internal components (1 of 4)

Ref	Description	Part number	Qty
2	Bushing	RC1-3665-000CN	2
3	Guide, dc cable	RC1-3731-000CN	1
4	Roller, top output bin	RL1-0527-000CN	1
5	Solenoid (SL3) (HPLJ 1320)	RK2-0420-000CN	1
6	Gear, 19t	RU5-0332-000CN	1
8	Screw, RS, m3x6	XA9-1495-000CN	7
9	Screw, TP, m3x6	XA9-1503-000CN	5
10	Screw, RS, m3x8	XA9-1504-000CN	17
11	Feed guide assembly	RM1-1286-000CN	1
12	Pickup gear assembly	RM1-1301-000CN	1
13	Retaining assembly	RM1-1306-000CN	1
14	Gear, 29t	RU5-0331-000CN	1
15	Bushing, right	RB2-2895-000CN	1
16	Bushing, left	RB2-2896-000CN	1
17	Roller, pickup	RL1-0540-000CN	1
18	Roller, pickup idler	RC1-3470-000CN	2
20	Flag, media sensing	RC1-3472-000CN	1
23	Spring, compression	RU5-2323-000CN	2
25	Fuser, 110-127 V	RM1-2325-000CN	1
25	Fuser, 220-240 V	RM1-2326-000CN	1
26	Duplex-drive assembly (HPLJ 1320)	RM1-1302-000CN	1
27	Gear assembly, top output bin (HPLJ 1160)	RM1-1305-000CN	1
28	Main gear assembly	RM1-1299-000CN	1
501	Screw, tapping, truss head m4x10	XB4-7401-005CN	5
(not shown)	Formatter, HP LaserJet 1160 printer	Q3698-67901	1
(not shown)	Formatter, HP LaserJet 1320 (base) and 1320n printers	Q3696-67901	1
(not shown)	Formatter, HP LaserJet 1320tn printer	Q3990-67901	1
(not shown)	Formatter, HP LaserJet 1320nw printer	Q3697-67901	1

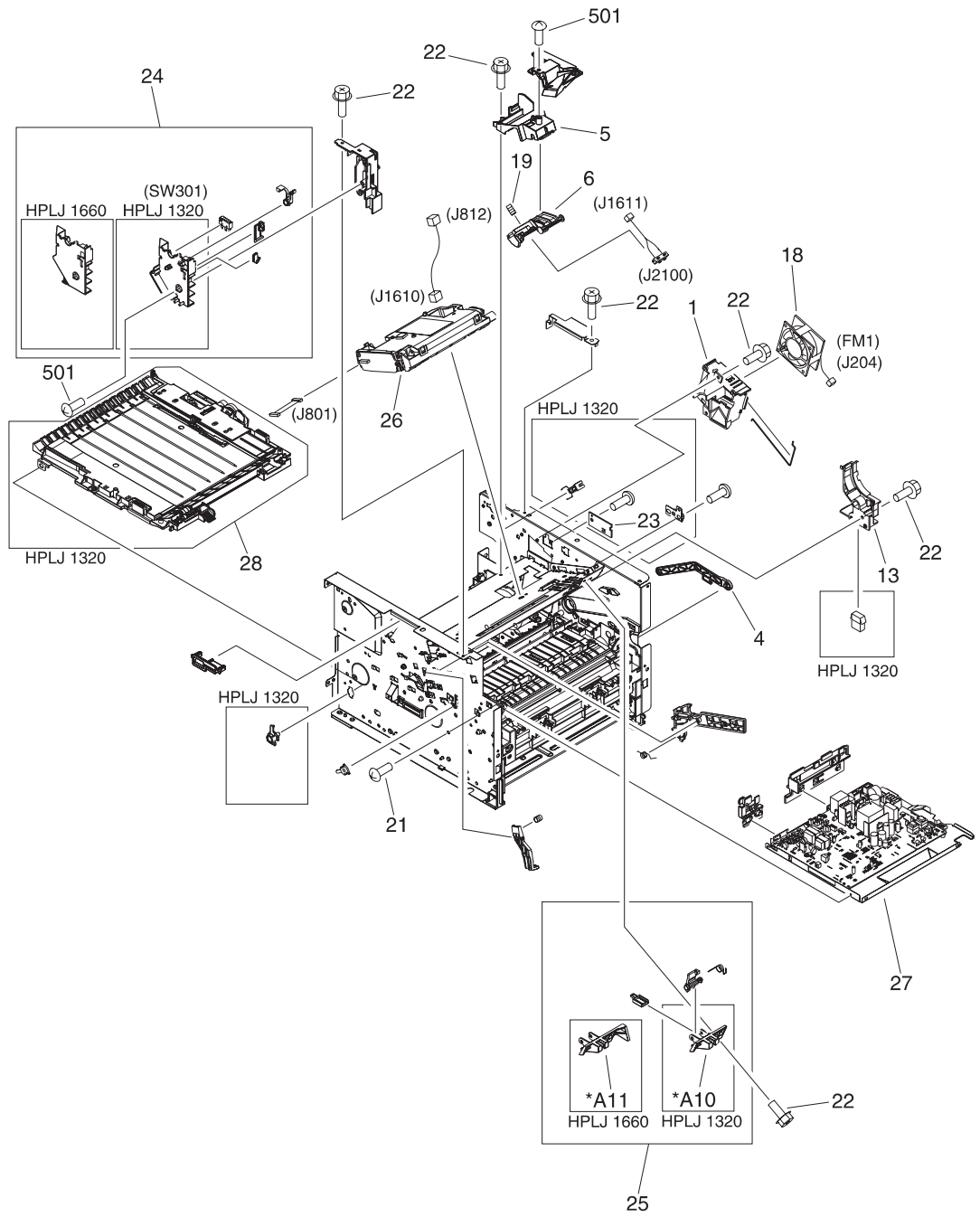


Figure 8-5. Internal components (2 of 4)

Table 8-6. Internal components (2 of 4)

Ref	Description	Part number	Qty
1	Holder, fan	RC1-3537-000CN	1
4	Cam arm	RC1-3544-000CN	1
5	Holder, tag arm	RC1-3550-000CN	1
6	Tag arm	RC1-3551-000CN	1
13	Holder, drawer	RC1-3728-000CN	1
18	Fan	RK2-0428-000CN	1
19	Spring, compression, tag	RU5-2335-000CN	1
21	Screw, TP, m3x6	XA9-1503-000CN	4
22	Screw, RS, m3x8	XA9-1504-000CN	15
23	Duplex-drive PCA (HPLJ 1320)	RM1-1262-000CN	1
24	Interlock assembly (HPLJ 1320)	RM1-1320-000CN	1
24	Interlock assembly (HPLJ 1160)	RM1-1467-000CN	1
25	Shutter link assembly (HPLJ 1320)	RM1-1321-000CN	1
25	Shutter link assembly (HPLJ 1160)	RM1-1464-000CN	1
26	Laser/scanner	RM1-1470-000CN	1
27	ECU PCA 110v	RM1-1242-000CN	1
27	ECU PCA, 220v	RM1-1243-000CN	1
28	Duplexer (HPLJ 1320)	RM1-1313-000CN	1
501	Screw, tap, binding	XB4-7300-809CN	1
502	Screw, tapping, truss head m4x10	XB4-7401-005CN	13

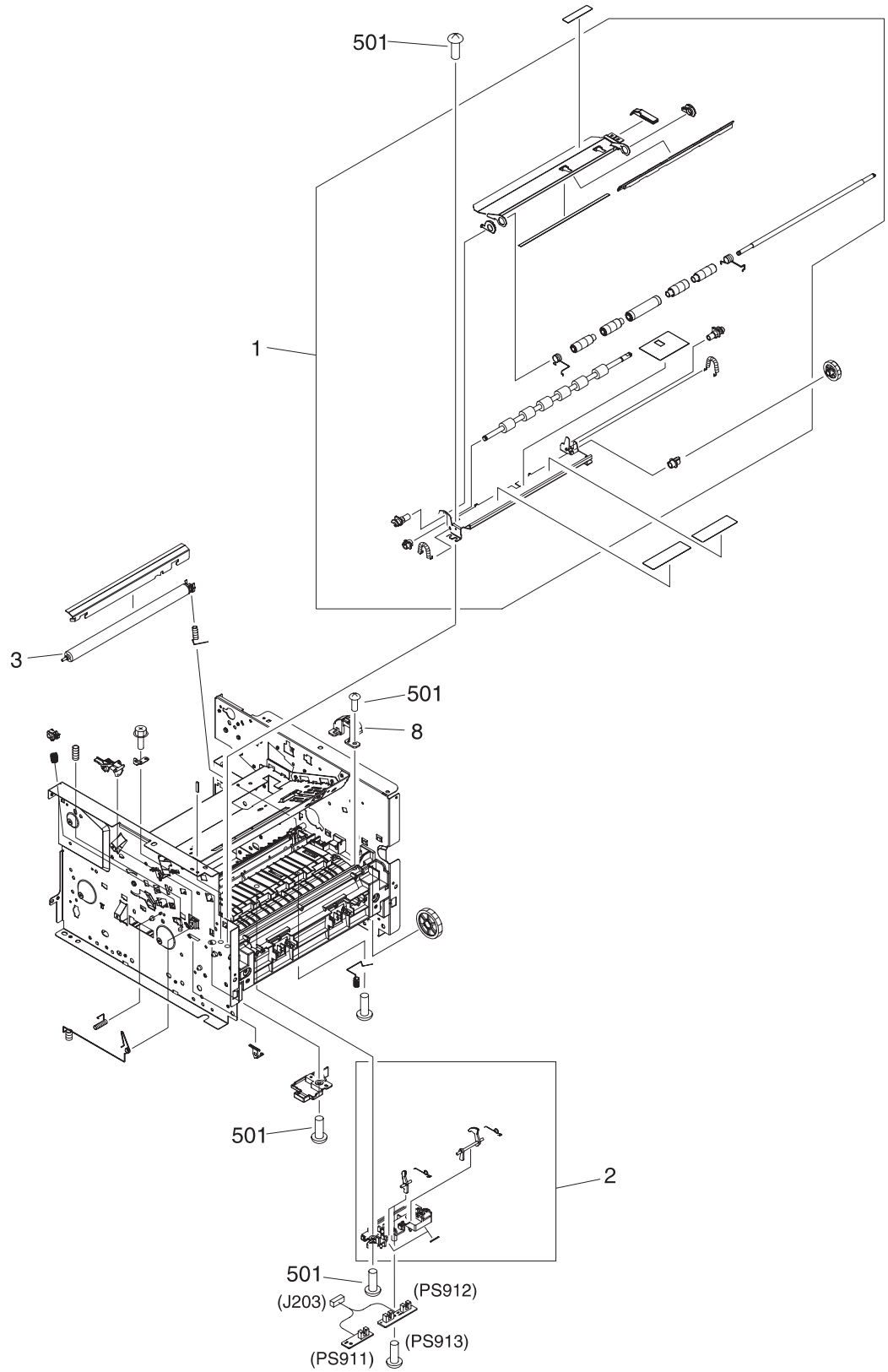


Figure 8-6. Internal components (3 of 4)

Table 8-7. Internal components (3 of 4)

Ref	Description	Part number	Qty
1	Registration assembly	RM1-1281-000CN	1
2	Sensor assembly, top	RM1-1283-000CN	1
3	Roller, transfer	RC1-3705-000CN	1
501	Screw, tapping, truss head m4x10	XB4-7401-005CN	1

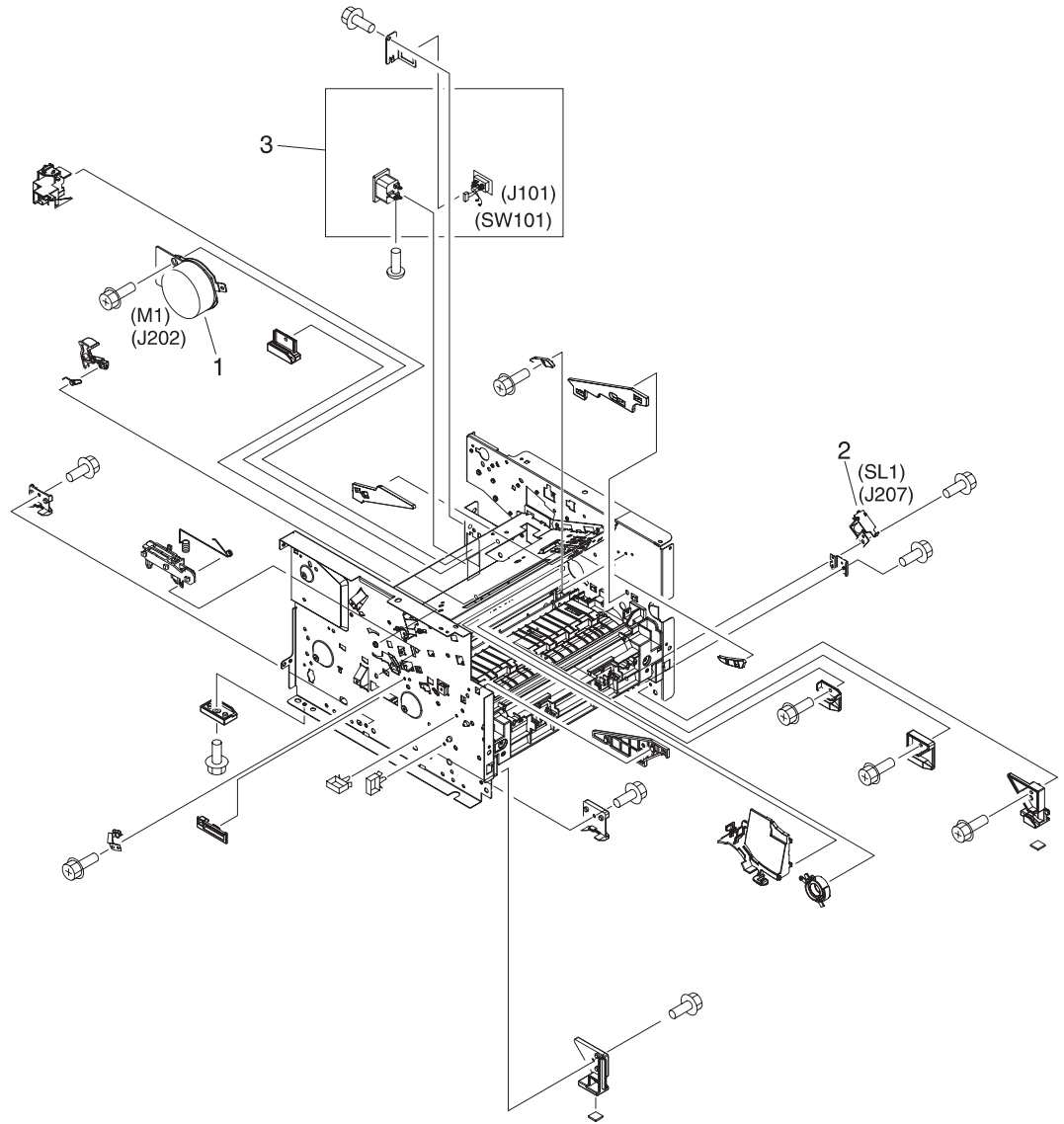


Figure 8-7. Internal components (4 of 4)

Table 8-8. Internal components (4 of 4)

Ref	Description	Part number	Qty
1	Motor, dc	RK2-0418-000CN	1
2	Solenoid (SL1) tray 2 pickup	RK2-0424-000CN	1
3	Power inlet/switch cable assembly	RM1-1249-000CN	1

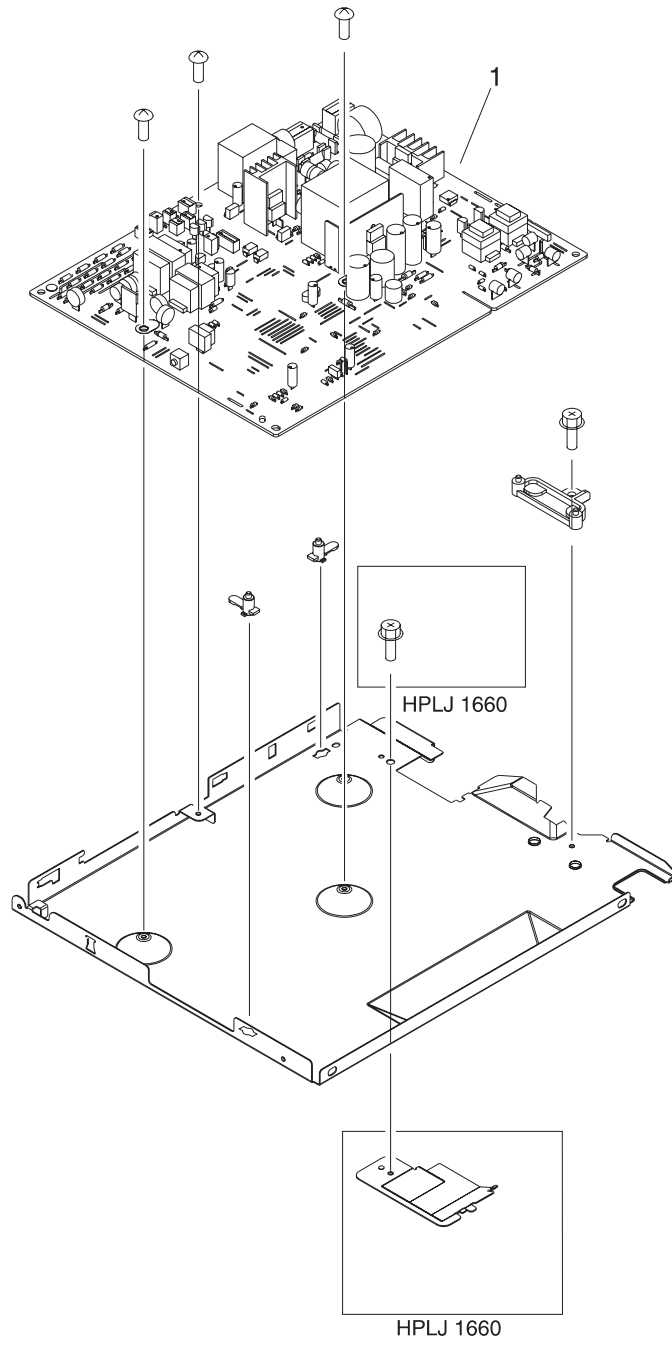


Figure 8-8. ECU assembly

Table 8-9. ECU assembly

Ref	Description	Part number	Qty
	ECU PCA 110v	RM1-1242-000CN	1
	ECU PCA, 220v	RM1-1243-000CN	1
1	ECU assembly, 110v (HPLJ 1160)	RM1-1327-000CN	1
1	ECU assembly, 220v (HPLJ 1160)	RM1-1463-000CN	1
1	ECU assembly, 110v (HPLJ 1320)	RM1-1300-000CN	1
1	ECU assembly, 220v (HPLJ 1320)	RM1-1462-000CN	1

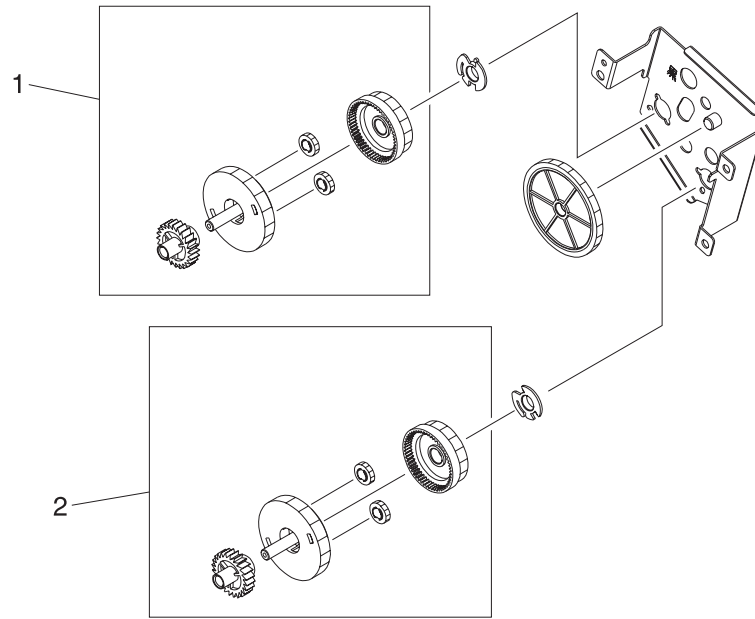


Figure 8-9. Duplex-drive assembly

Table 8-10. Duplex-drive assembly

Ref	Description	Part number	Qty
	Duplex-drive assembly (HPLJ 1320)	RM1-1302-000CN	1
1	Normal-rotation drive assembly (HPLJ 1320)	RM1-1303-000CN	1
2	Reverse-rotation drive assembly (HPLJ 1320)	RM1-1304-000CN	1

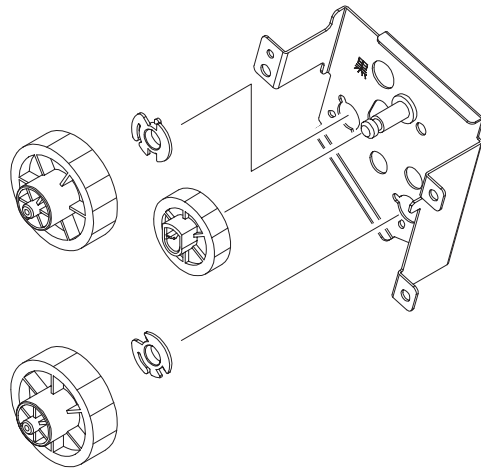


Figure 8-10. Top output bin gear assembly

Table 8-11. Top output bin gear assembly

Ref	Description	Part number	Qty
	Gear assembly, top output bin (HPLJ 1160)	RM1-1305-000CN	1

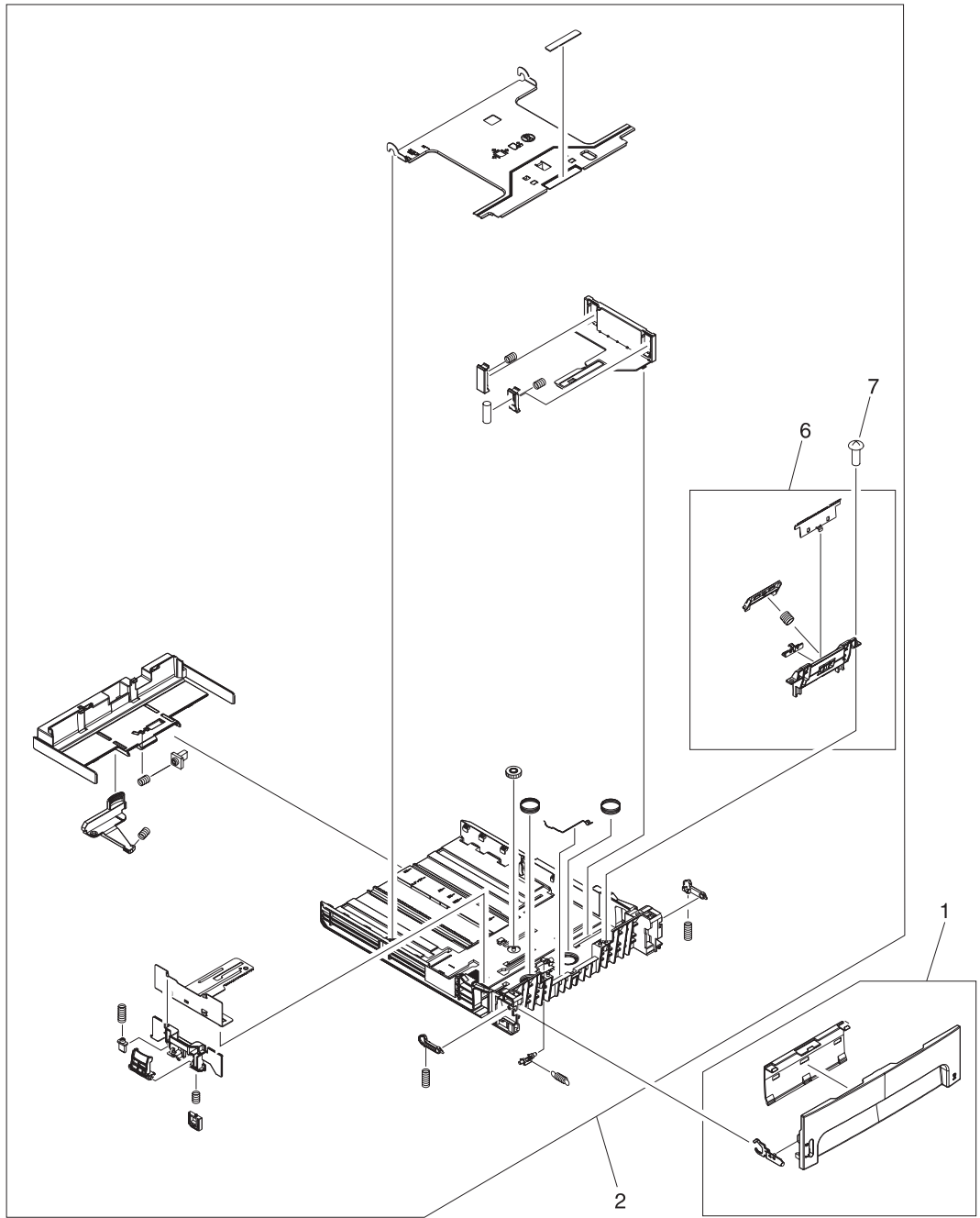


Figure 8-11. Tray 2 assembly

Table 8-12. Tray 2 assembly

Ref	Description	Part number	Qty
	Tray 2 (HPLJ 1160)	RM1-1322-000CN	1
	Tray 2 (HPLJ 1320)	RM1-1292-000CN	1
1	Tray 2 cover assembly (HPLJ 1160)	RM1-1323-000CN	1
1	Tray 2 cover assembly (HPLJ 1320)	RM1-1293-000CN	1
2	Tray 2 body assembly	RM1-1294-000CN	1
6	Separation pad assembly	RM1-1298-000CN	1
7	Screw, m4x8	XB4-7400-805CN	2

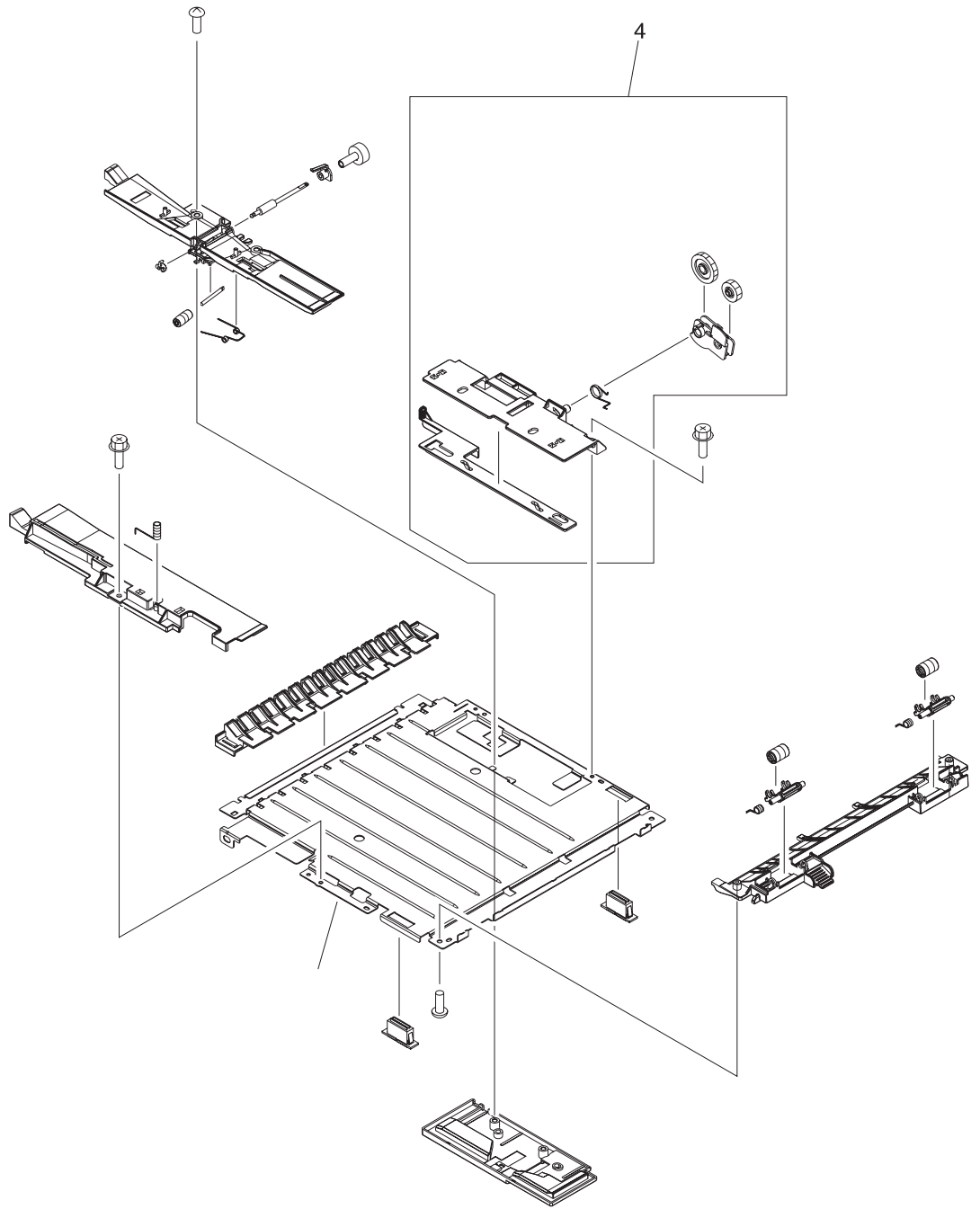


Figure 8-12. Duplexer

Table 8-13. Duplexer

Ref	Description	Part number	Qty
	Duplexer (HPLJ 1320)	RM1-1313-000CN	1
4	Size-change assembly	RM1-1318-000CN	1